



Count on it.

Parts Catalog

**Z Master® Professional 5000
Series Riding Mower, with 60in
TURBO FORCE® Side Discharge
Mower**

Model No. 74933—Serial No. 316000001 and Up



Ordering Replacement Parts

To order replacement parts, please supply the part number, the quantity, and the description of each part desired.

Understanding Reference Numbers

Each identified part in an illustration has a reference number. The reference number for a part also appears in the parts list, along with other information about the part.

This catalog uses two special reference number formats, one to indicate parts in a service assembly and another to indicate the quantity of a given part in an illustration.

Service Assembly Reference Numbers

Parts in service assemblies have reference numbers in the form a:b. The a represents the reference number of the entire service assembly and the b represents a sequential number unique to each part within the service assembly.

For example, a wheel assembly might be identified by reference number 6, the tire by 6:1, the valve by 6:2, and the wheel by 6:3. When you order the assembly identified by reference number 6, you receive all parts identified by reference numbers 6:1, 6:2, and 6:3. However, you may also order any part individually. Reference numbers of this type appear in illustration and in parts lists.

Reference Numbers Indicating Quantity

In an illustration, if a reference number indicates more than one part, the reference number has the form nX y. The n represents the quantity of the part, the X is the multiplication symbol, and the y represents the reference number.

For example, in an illustration, the reference number 2X 37 means that two of the parts identified by reference number 37 are indicated.

List of Abbreviations

AR: as required

ASM: assembly

BBC: blade brake control

BHTF: button head thread forming

CARR: carriage

CCW: counter clockwise

CW: clockwise

DEG: degrees

DPA: Dual Point Adjustment

ECM: electronic control module

EXT: external

FH: flat head

GA: gauge

HD: heavy-duty

HF: hex flange

HH: hex head

HHF: hex head flange

HHFTF: hex head flange thread forming

HJ: hex jam

HLH: hex lag head

HOC: height-of-cut

HP: high pressure

HSBH: hex socket button head

HSFH: hex socket flat head

HSH: hex socket head

HWH: hex washer head

HWHTF: hex washer head thread forming

HYD: hydraulic

LH: left hand

LP: low pressure

LPG: Liquefied Petroleum Gas

NI: nylon insert

NPTF: national pipe thread fine

PFH: phillips flat head

PPH: phillips pan head

PPHTF: phillips pan head thread forming

PRH: phillips round head

PTH: phillips truss head

PTO: power-take-off

RH: right hand

ROPS: roll-over protection system

RRB: rear roller brush

SFH: slotted fillister head

SHH: slotted hex head

SHWH: slotted hex washer head

SPH: slotted pan head

SQH: square head

SRH: slotted round head

STD: standard

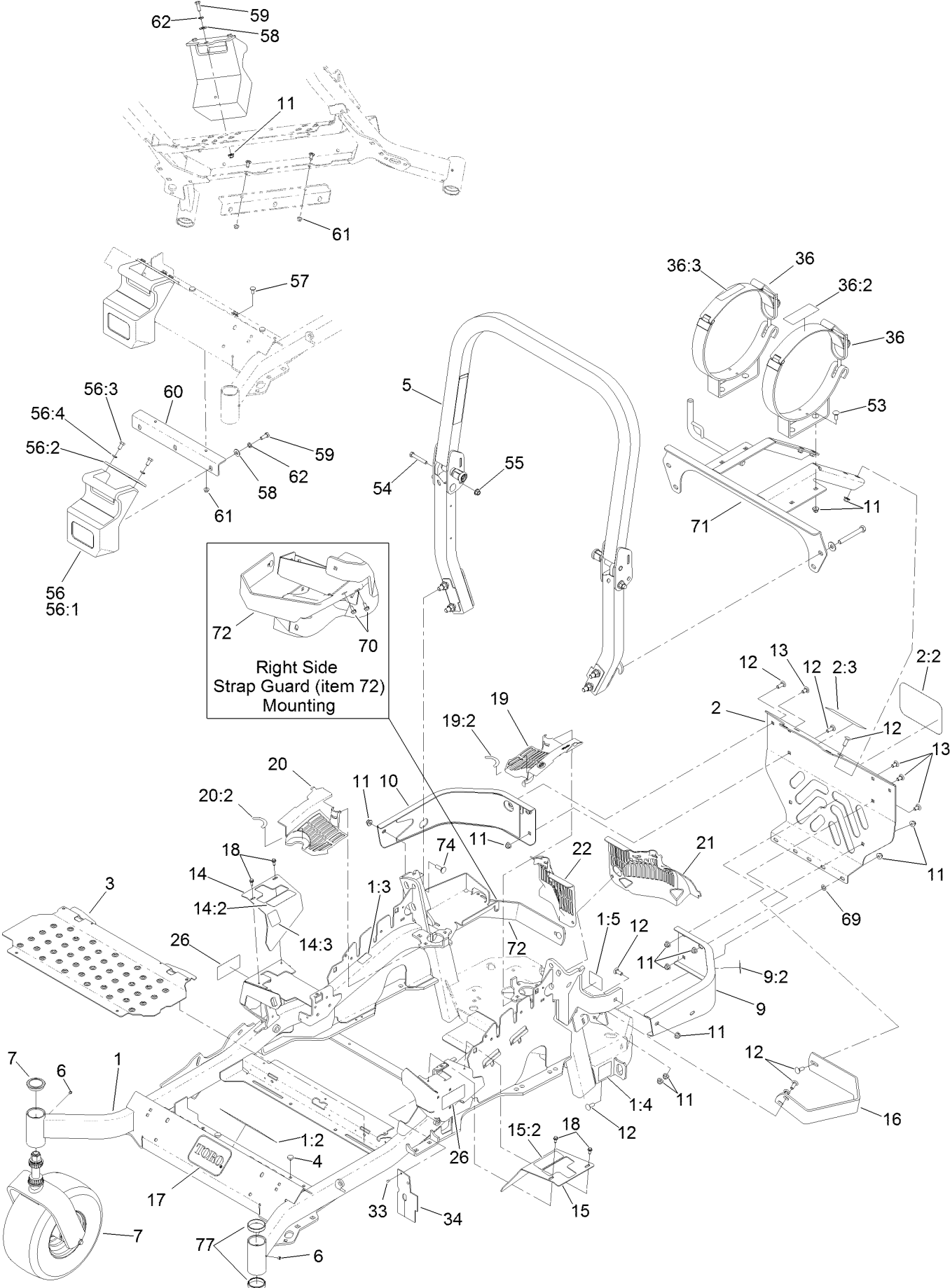
TAP: self tapping

TTH: torx truss head

Contents

Main Frame Assembly	4
Roll-Over Protection System Assembly No. 116-0232	6
Caster Fork and Wheel Assembly	8
Hydraulic Pump, Idler and Belt Assembly	10
Pump Idler Assembly No. 116-1255	12
LH Hydro Assembly No. 126-1323	14
RH Hydro Assembly No. 126-1324	16
Parking Brake and Wheel Assembly	18
LPG Valve and Tank Assembly	20
Seat Mount Assembly	22
Seat Assembly No. 125-3107	24
Motion Control Assembly	26
Fender, Console and Control Assembly	28
Electrical System Assembly	30
Decklift Assembly	32
Height-of-Cut Assembly No. 109-7438	34
Engine, Clutch and Muffler Assembly	36
Deck Assembly	38
Deck Decal Assembly No. 114-5815	40
Idler Assembly	42
Spindle Assembly No. 119-8560	44
Rubber Deflector Assembly No. 108-2792	46
Attachments and Accessories	48

Main Frame Assembly

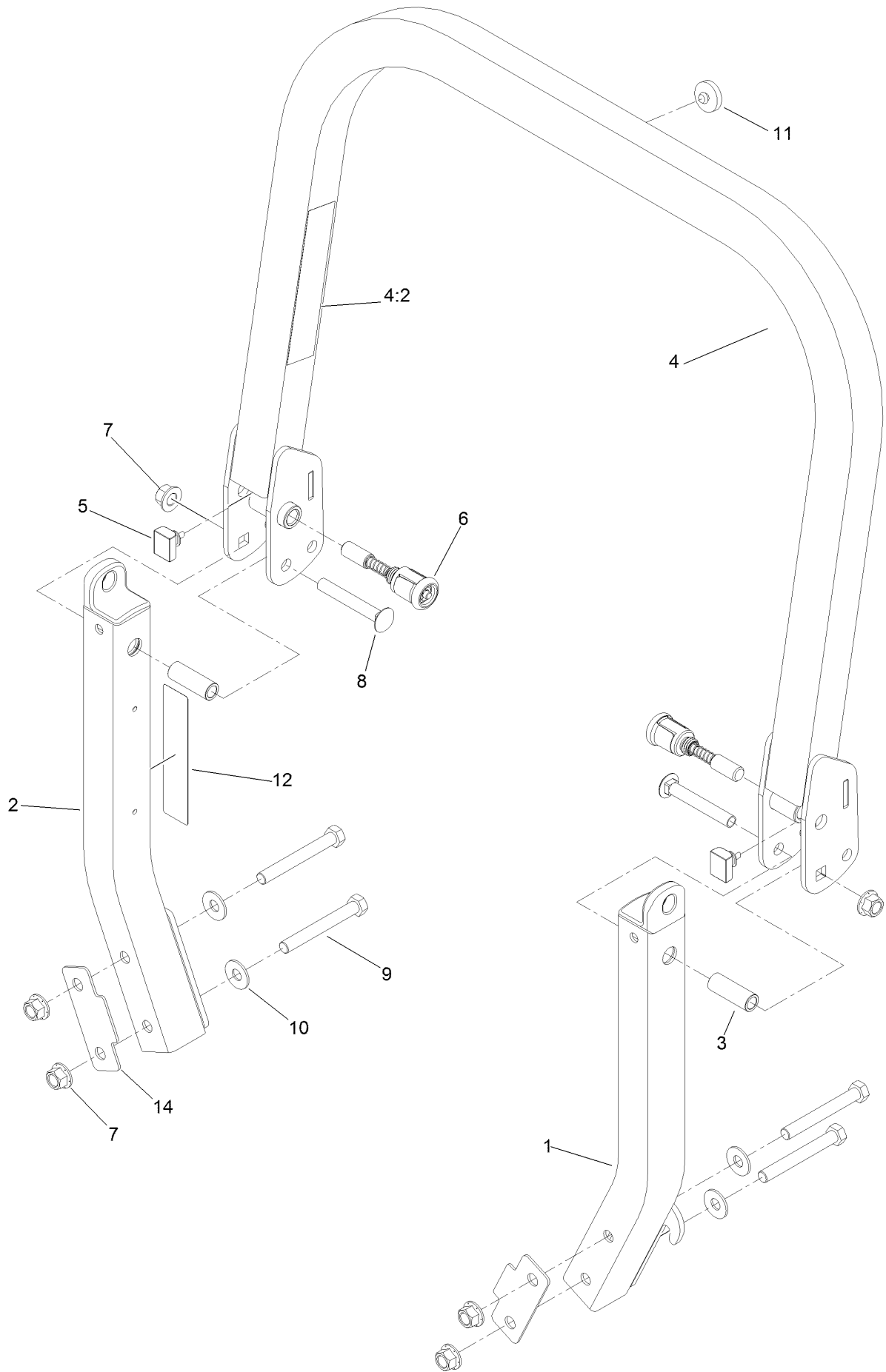


Main Frame Assembly (continued)

<i>Ref.</i>	<i>Part Number</i>	<i>Qty.</i>	<i>Description</i>	<i>Ref.</i>	<i>Part Number</i>	<i>Qty.</i>	<i>Description</i>
1	116-5902	1	Mainframe ASM	19:2	116-8726	1	Decal-Oil, Hydro
1:2	132-0871	1	Decal-Danger	20	116-0171	1	RH Hydro Guard ASM
1:3	106-5517	2	Decal-Warning, Hot Surface	20:2	116-8726	1	Decal-Oil, Hydro
1:4	106-2655	2	Decal-Hazard, Pinched Finger	21	109-9057	1	Guard-Hydro, Rear (LH)
1:5	116-4858	1	Decal-Spark Arrester	22	109-9058	1	Guard-Hydro, Rear (RH)
2	127-0306	1	LPG Rear Guard ASM	26	120-5894	2	Decal
2:2	67-7320	1	Decal	33	1-803035	2	Rivet-Pop
2:3	126-3277	1	Decal-LPG Fuel Tank Replacement	34	116-2362	1	Deflector-Air Flow
3	116-8898-01	1	Floorpan	36	116-2817	1	Tank Bracket ASM (Set)
4	1-513658	2	Bumper	36:2	126-3275	1	Decal-LPG Warning
5	116-0231	1	ROPS ASM	36:3	126-4553	1	Decal-LPG Tank Spec
6	1-811010	2	Plug	53	3231-2	4	Bolt-CARR
7		2	Caster Wheel ASM ●	54	325-13	1	Screw-HH
9	116-0180	1	LH Bumper ASM	55	99-5107	1	Nut-Lock
9:2	106-5517	1	Decal-Warning, Hot Surface	56	120-7885	2	Weight ASM
10	116-0057-03	1	Bumper-RH	56:1	120-7881	1	Weight-43 Lb
11	104-8301	26	Nut-Flange, NI	56:2	115-3616-01	1	Tab-Support, Weight
12	3231-22	12	Screw-CARR	56:3	323-4	2	Screw-HH
13	3231-21	4	Screw-CARR	56:4	3253-5	2	Washer-Lock
14	116-5899	1	RH Motion Control Cover ASM	57	3230-23	2	Screw-CARR
14:2	99-8936	1	Decal-Control, Motion	58	3256-4	4	Washer-Flat
14:3	116-5988	1	Decal-Park Brake, Ce	59	323-6	4	Screw-HH
15	116-0580	1	LH Motion Control Cover ASM	60	115-3615-01	1	Bracket-Mount, Weight
15:2	99-8936	1	Decal-Control, Motion	61	104-8300	2	Nut-Flange, NI
16	126-2067-03	1	Guard-Muffler	62	3253-5	4	Washer-Lock
17	68-3640	1	Decal	69	107-3154	2	Nut-Push
18	32144-10	4	Screw-HWH	70	32144-70	2	Screw-HWHTF
19	116-0170	1	LH Hydro Guard ASM	71	116-3558-03	1	Support-LPG Tank
				72	116-1432-03	1	Strap-Guard
				74	3231-25	1	Bolt-CARR
				77	1-543508	4	Cup-Bearing

● Not serviced separately

Roll-Over Protection System Assembly No. 116-0232

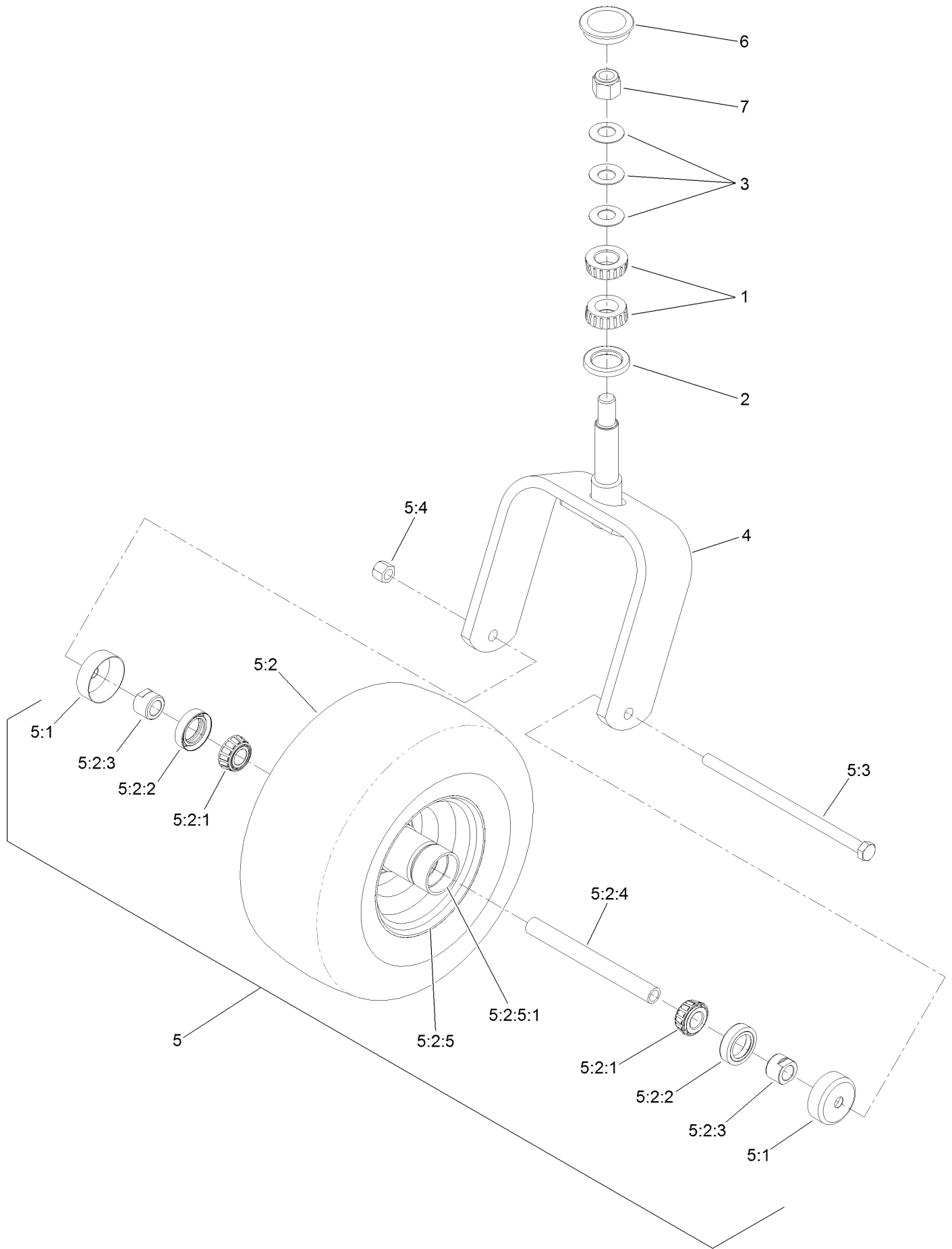


Roll-Over Protection System Assembly No. 116-0232 (continued)

<i>Ref.</i>	<i>Part Number</i>	<i>Qty.</i>	<i>Description</i>	<i>Ref.</i>	<i>Part Number</i>	<i>Qty.</i>	<i>Description</i>
1		1	Leg-ROPS, LH ●	7	99-5107	6	Nut-Lock
2		1	Leg-ROPS, RH ●	8	3233-10	2	Screw-CARR
3	109-6653	2	Spacer	9	325-35	4	Screw-HH
4		1	Upper ROPS ASM ●	10	109-9505	4	Washer-Spring
4:2	107-3069	1	Decal-Warning, Folding ROPS	11	109-9233	1	Bumper-Push-In, Rubber
5	109-5337	2	Bumper-ROPS	12	117-0346	1	Decal-Caution, Fuel Vent
6	116-0104	2	Pin-Spring	14	116-0960	2	Spacer

● Not serviced separately

Caster Fork and Wheel Assembly



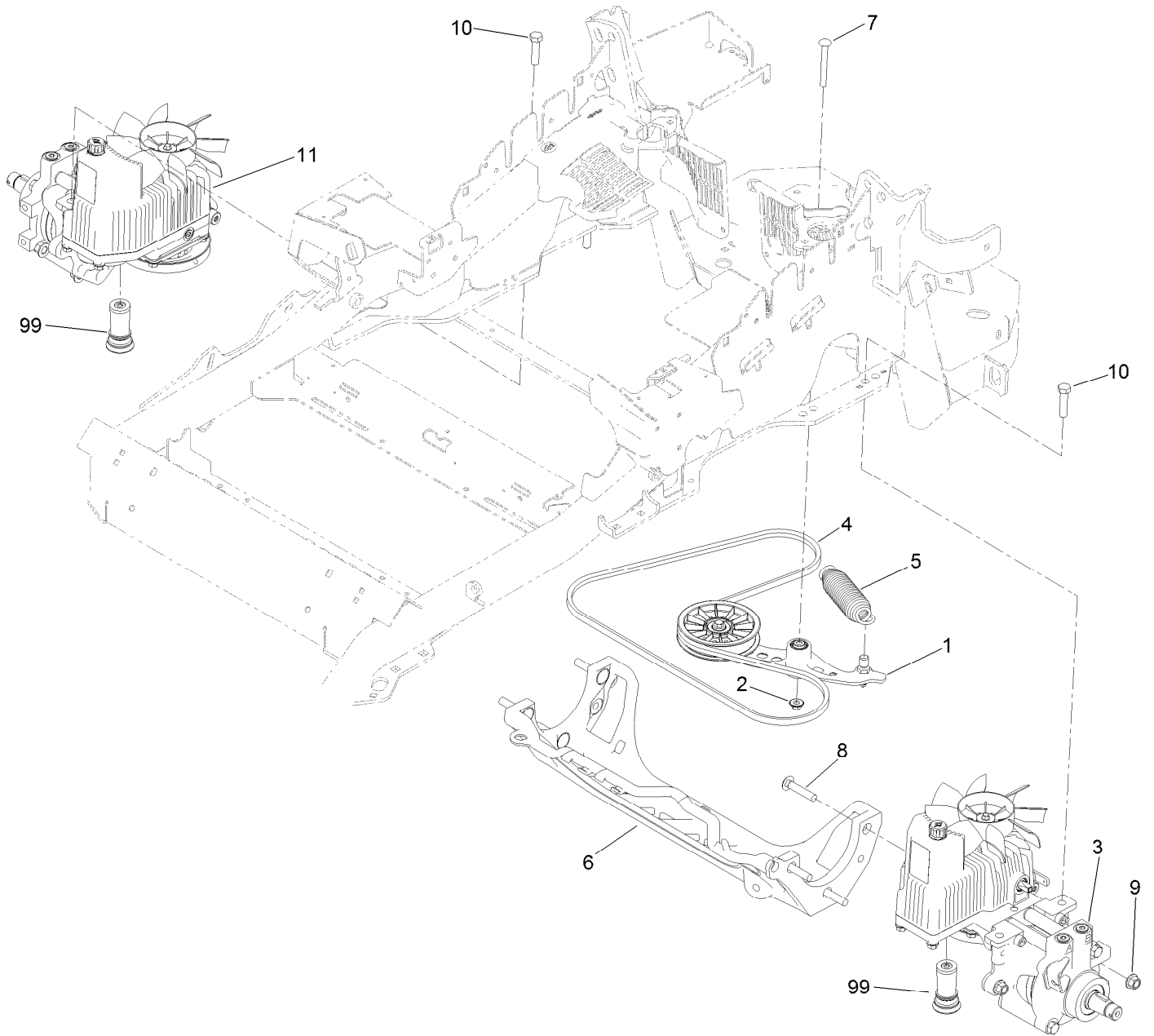
Caster Fork and Wheel Assembly (continued)

<i>Ref.</i>	<i>Part Number</i>	<i>Qty.</i>	<i>Description</i>	<i>Ref.</i>	<i>Part Number</i>	<i>Qty.</i>	<i>Description</i>
1	1-543509	2	Bearing-Roller, Tapered	5:2:3	103-3051	1	Spacer-Nut ■
2	116-5647	1	Seal-Grease	5:2:4	126-5361	1	Axle ASM-Caster
3	1-633508	3	Washer-Bellville	5:2:5		1	Wheel And Tire ASM ●
4	116-6707-01	1	Caster	5:2:5:1	1-633584	1	Bearing-Cup
5	127-9528	1	Wheel And Axle ASM	5:3	325-39	1	Screw-HH
5:1	103-2768	2	Guard-Seal	5:4	3296-23	1	Nut-Lock, NI
5:2		1	Wheel And Bearing ASM ●	6	103-4882	1	Cap-Grease
5:2:1	1-633585	2	Bearing-Cone, Taper	7	3296-51	1	Nut-Lock, NI
5:2:2	103-0063	2	Seal-Caster				

● Not serviced separately

■ Use Pro-Lock, Nut Type (P/N 1-840022, .5ml tube) on threads.

Hydraulic Pump, Idler and Belt Assembly

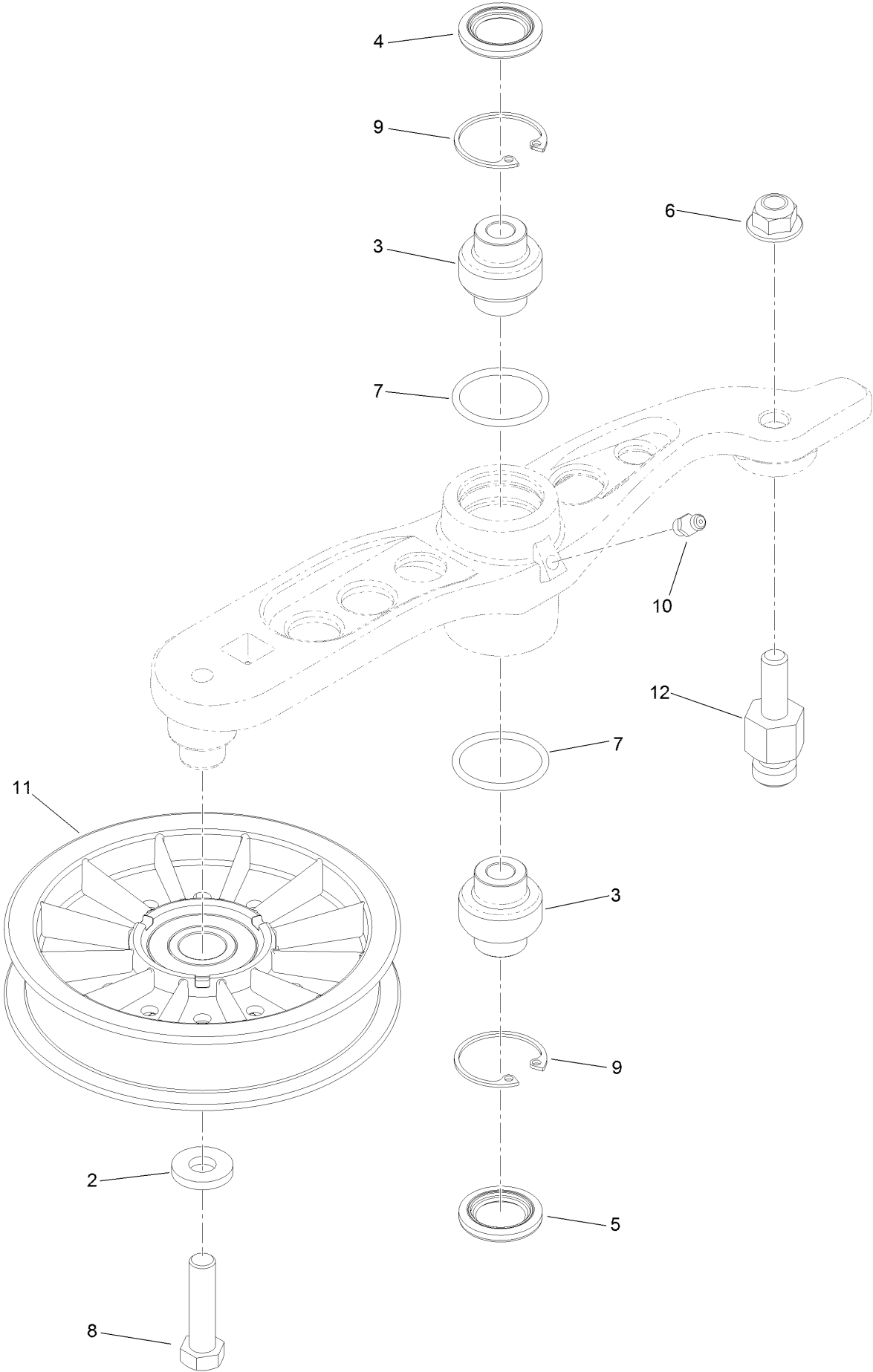


Hydraulic Pump, Idler and Belt Assembly (continued)

<i>Ref.</i>	<i>Part Number</i>	<i>Qty.</i>	<i>Description</i>	<i>Ref.</i>	<i>Part Number</i>	<i>Qty.</i>	<i>Description</i>
1	116-1255	1	Pump Idler ASM	9	99-5107	6	Nut-Lock
2	109-6658	1	Nut-Flange, NI	10	325-8	4	Screw-HH
3	126-1323	1	LH Hydro ASM (12Cc W/ Shock)	11	126-1324	1	RH Hydro ASM (12Cc W/ Shock)
4	109-3388	1	Belt	99	114-4713	1	Hypr-Oil 500 (Quart) ●
5	116-6317	1	Spring-Extension	99	114-4714	1	Hypr-Oil 500 (Gallon) ●
6	116-7558	1	Cradle-Hydro	99	114-4715	1	Hypr-Oil 500-5 (5 Gallon) ●
7	116-1502	1	Bolt-Shoulder, Carriage	99	117-0390	1	Filter-Hydro
8	126-0095	6	Screw-CARR				

● Not illustrated

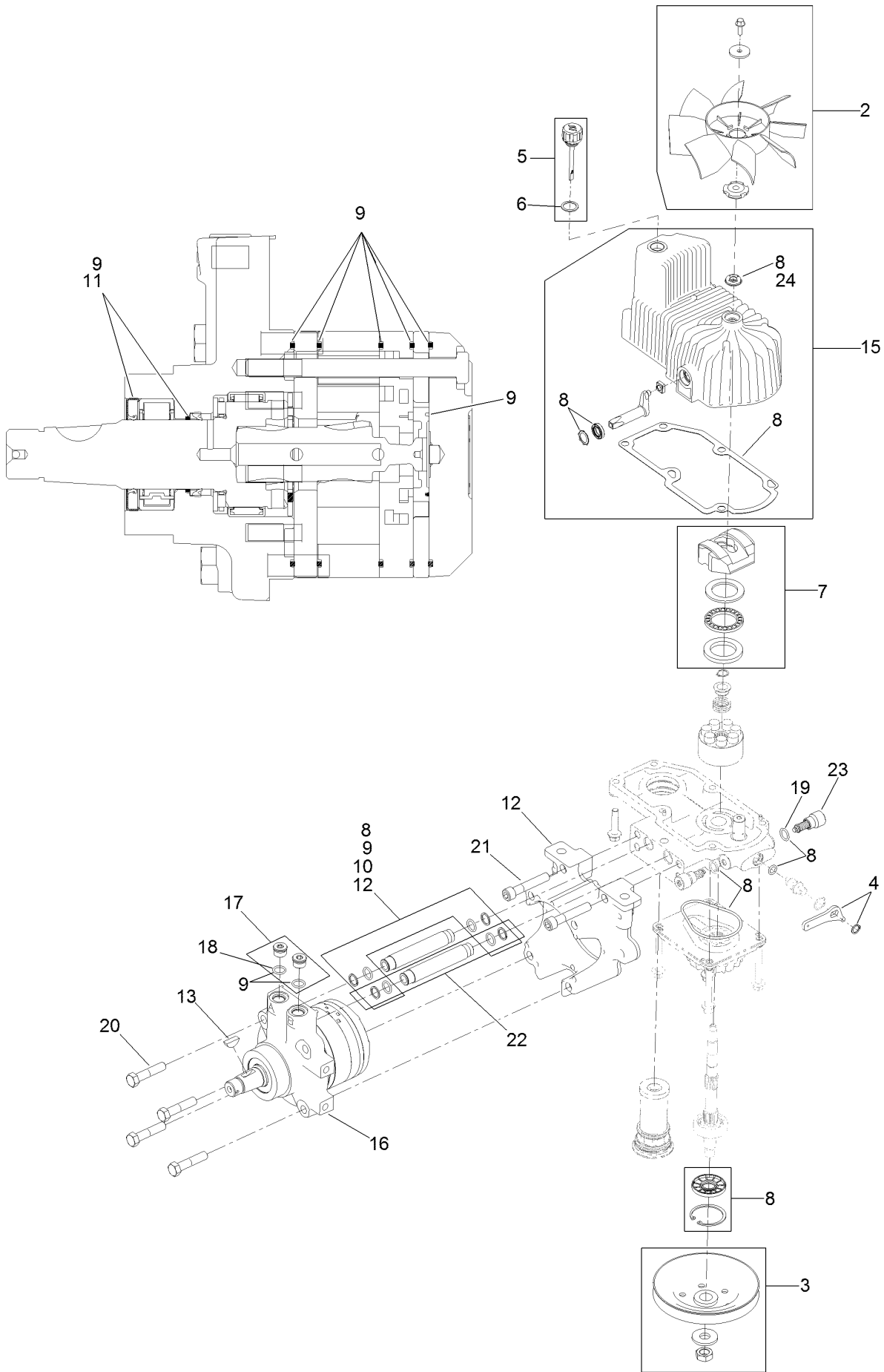
Pump Idler Assembly No. 116-1255



Pump Idler Assembly No. 116-1255 (continued)

<i>Ref.</i>	<i>Part Number</i>	<i>Qty.</i>	<i>Description</i>	<i>Ref.</i>	<i>Part Number</i>	<i>Qty.</i>	<i>Description</i>
2	43-0940	1	Spacer	8	323-8	1	Screw-HH
3	103-3504	2	Bearing-Spherical	9	32120-10	2	Ring-Snap
4	103-3505	1	Seal-Double Lip	10	302-19	1	Fitting-Grease
5	103-3506	1	Seal-Lip, Single	11	109-8076	1	Pulley-Idler
6	109-6658	1	Nut-Flange, NI	12	116-3467	1	Pin-Spring, Anchor
7	106-7159	2	O-Ring				

LH Hydro Assembly No. 126-1323

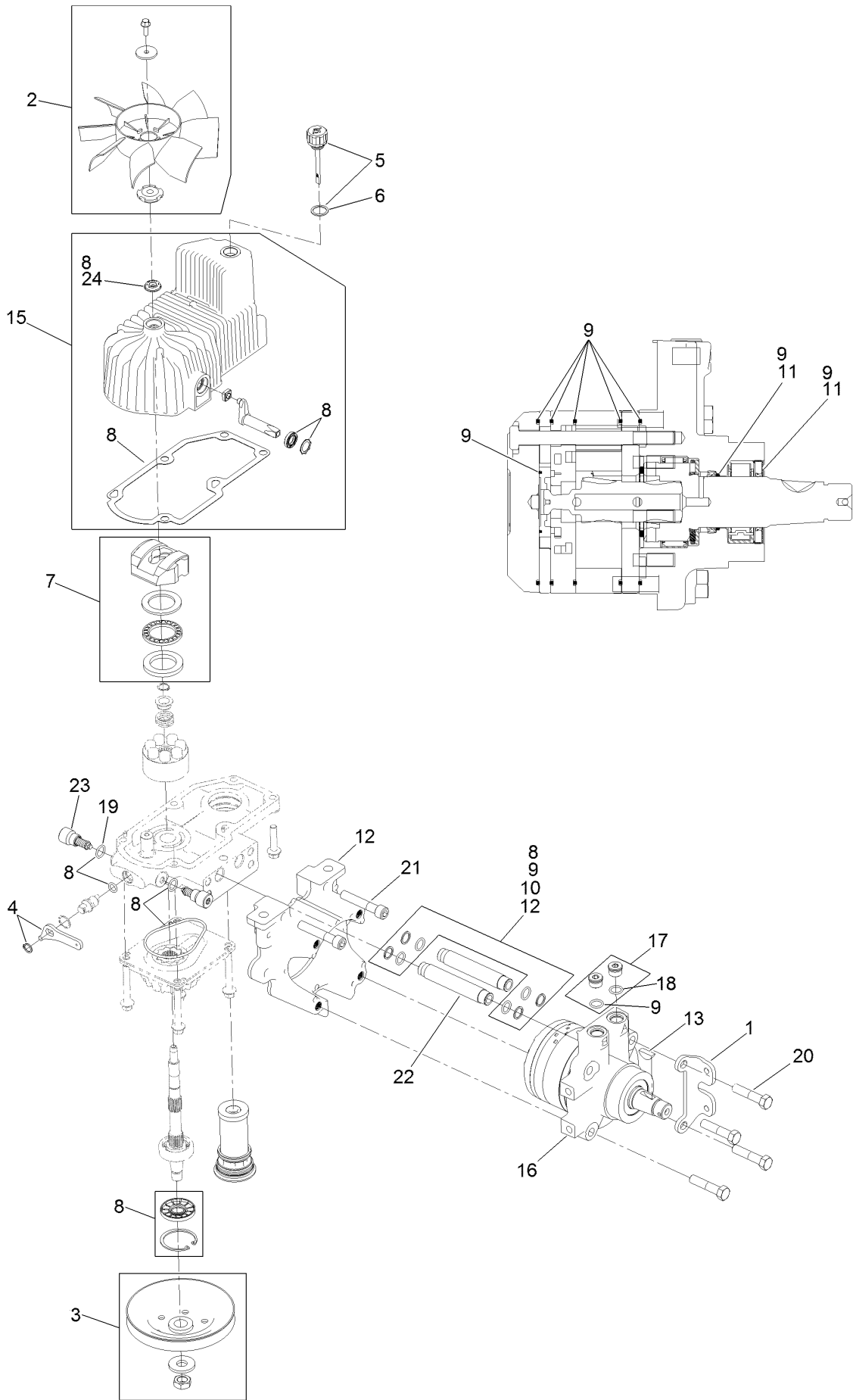


LH Hydro Assembly No. 126-1323 (continued)

<i>Ref.</i>	<i>Part Number</i>	<i>Qty.</i>	<i>Description</i>	<i>Ref.</i>	<i>Part Number</i>	<i>Qty.</i>	<i>Description</i>
2	116-0233	1	Fan Kit	15	116-3287	1	Housing-LH
3	116-0234	1	Pulley Kit	16	116-8915	1	Motor-Hydraulic LH 240Cc
4	116-0235	1	Handle-Bypass Valve, Hydro	17	116-7901	1	Magnetic Plugs Service Kit
5	116-0236	1	Dipstick-Hydro W/Gasket	18	76-1900	2	O-Ring
6	116-0237	1	Gasket-Dipstick, Hydro	19	116-8662	2	O-Ring-Check Valve
7	116-1367	1	Swash Block Kit	20	116-8974	4	Screw HH
8	116-1368	1	Pump Seal Kit	21	116-8975	2	Screw-HSH
9	116-1369	1	Motor Seal Kit	22	116-9922	2	Hydraulic Tube Kit
10	116-1370	1	Tube Seal Kit	23	126-7466	2	Shock Valve, 12Cc Hydro
11	116-1371	1	Output Shaft Seal Kit	24	126-7711	1	Seal-Fan Drive
12	116-5469	1	Nose Cup-Uht	99	116-4245	1	Puller-Pulley Uht ●
13	3257-42	1	Key-Woodruff	99	116-1373	1	Flow Test Kit ●

● Not illustrated

RH Hydro Assembly No. 126-1324

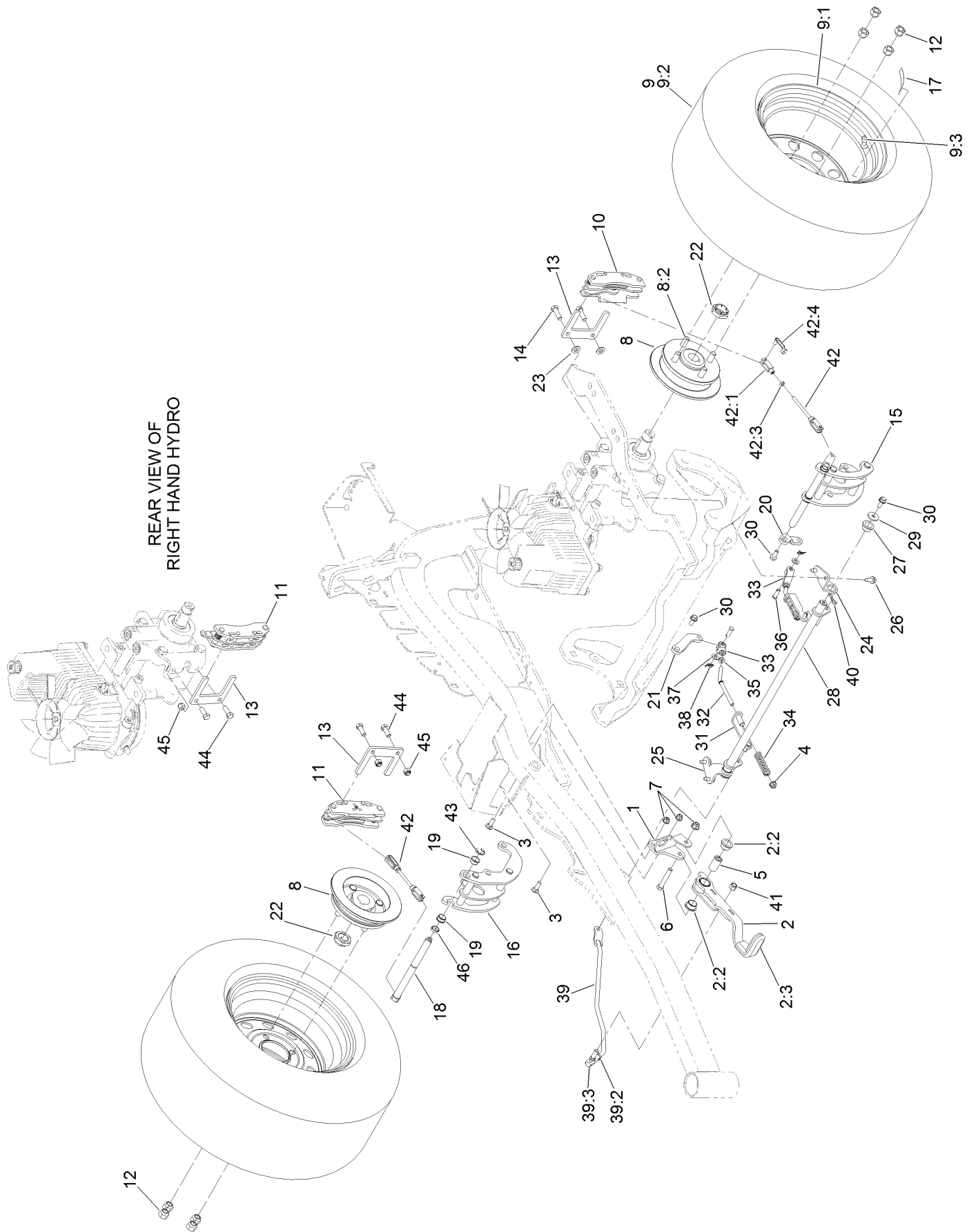


RH Hydro Assembly No. 126-1324 (continued)

<i>Ref.</i>	<i>Part Number</i>	<i>Qty.</i>	<i>Description</i>	<i>Ref.</i>	<i>Part Number</i>	<i>Qty.</i>	<i>Description</i>
1	116-9063	1	Mount-Shoe, Horse	13	3257-42	1	Key-Woodruff
2	116-0233	1	Fan Kit	15	116-3288	1	Housing-RH
3	116-0234	1	Pulley Kit	16	116-8916	1	Motor-Hydraulic RH 240Cc
4	116-0235	1	Handle-Bypass Valve, Hydro	17	116-7901	1	Magnetic Plugs Service Kit
5	116-0236	1	Dipstick-Hydro W/Gasket	18	76-1900	2	O-Ring
6	116-0237	1	Gasket-Dipstick, Hydro	19	116-8662	2	O-Ring-Check Valve
7	116-1367	1	Swash Block Kit	20	116-8974	4	Screw HH
8	116-1368	1	Pump Seal Kit	21	116-8975	2	Screw-HSH
9	116-1369	1	Motor Seal Kit	22	116-9922	2	Hydraulic Tube Kit
10	116-1370	1	Tube Seal Kit	23	126-7466	2	Shock Valve, 12Cc Hydro
11	116-1371	1	Output Shaft Seal Kit	24	126-7711	1	Seal-Fan Drive
12	116-5469	1	Nose Cup-Uht	99	116-4245	1	Puller-Pulley Uht ●
				99	116-1373	1	Flow Test Kit ●

● Not illustrated

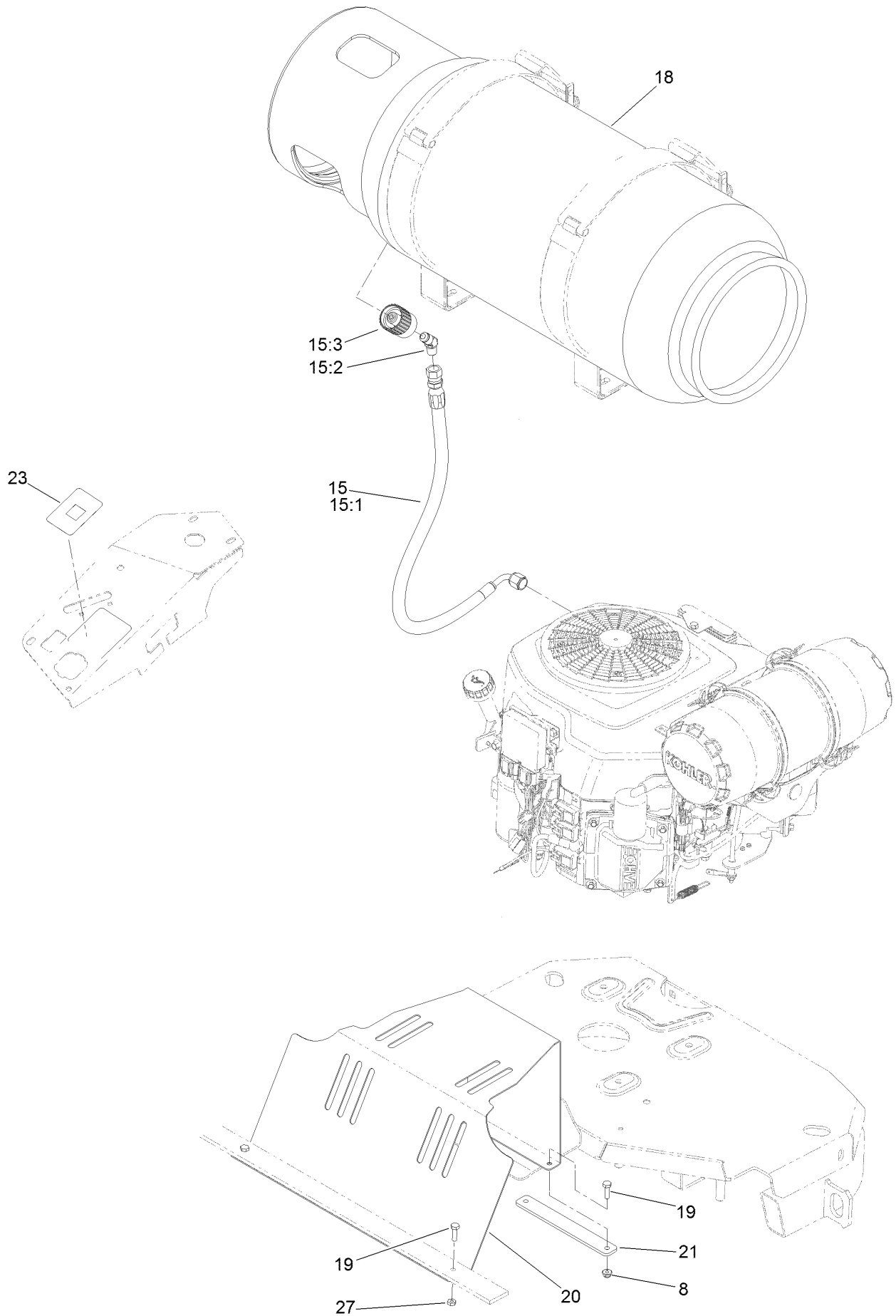
Parking Brake and Wheel Assembly



Parking Brake and Wheel Assembly (continued)

<i>Ref.</i>	<i>Part Number</i>	<i>Qty.</i>	<i>Description</i>	<i>Ref.</i>	<i>Part Number</i>	<i>Qty.</i>	<i>Description</i>
1	116-9096-01	1	Bracket-Mount	23	3256-24	2	Washer-Flat
2	126-0970	1	Brake Lever ASM	24	116-9681	1	Mount-Pivot, LH
2:2	109-8054	2	Bushing-Flange	25	116-9682	1	Mount-Pivot, RH
2:3	1-633268	1	Grip-Lever	26	32144-70	4	Screw-HWHTF
3	3230-2	2	Bolt-CARR	27	109-8054	2	Bushing-Flange
4	104-8300	4	Nut-Flange, NI	28	116-9080	1	Shaft-Cross
5	116-9117	1	Handle-Pivot, Brake	29	115-7109	2	Washer-Flat
6	323-11	1	Screw-HH	30	98-9940	4	Screw
7	104-8301	1	Nut-Flange, NI	31	116-9609	2	Bracket-L
8	116-1746	2	Wheel Hub ASM	32	116-9086	2	Linkage-Mid
8:2	116-1696	4	Stud-Wheel	33	126-3693	2	Yoke-Offset
9	127-9520	2	Wheel And Tire ASM	34	116-9085	2	Spring-Compression
9:1	127-9517	1	Wheel	35	3220-2	2	Nut-Jam
9:2	1-633993	1	Tire	36	1-808280	2	Pin-Clevis
9:3	232-27	1	Stem-Valve	37	3256-23	4	Washer-Flat
10	109-2889	1	Caliper-Brake	38	116-6639	2	Pin-Cotter, Locking
11	116-9103	1	Caliper-Brake, RH	39	116-9102	1	Front Linkage ASM
12	242-50	8	Nut-Lug	39:2	94-7572	1	End-Tie Rod, RH
13	109-0958	2	Plate-Mount, Brake	39:3	3220-3	1	Nut-HJ
14	92-5727	2	Screw-Lock, Patch	40	119-1415	2	Pin-Cotter, Locking
15	126-4248	1	Mount-Bellcrank, LH	41	3296-6	1	Nut-Lock
16	126-4249	1	Mount-Bellcrank, RH	42	116-9071	2	Rear Linkage ASM
17	126-2055	2	Decal-Torque, Wheel Hub Lug	42:1	116-9070	2	Yoke
18	126-4251	2	Bellcrank	42:3	3220-1	1	Nut-Jam
19	126-6199	4	Bushing-Igus	42:4	126-6395	2	Pin-Clevis, Spring
20	126-3715	1	Arm-Inner, LH	43	32120-19	2	E-Ring
21	126-3716	1	Arm-Inner, RH	44	323-6	2	Screw-HH
22	116-1399	2	Locknut	45	3296-39	2	Nut-Lock, NI
				46	126-6200	2	Spacer

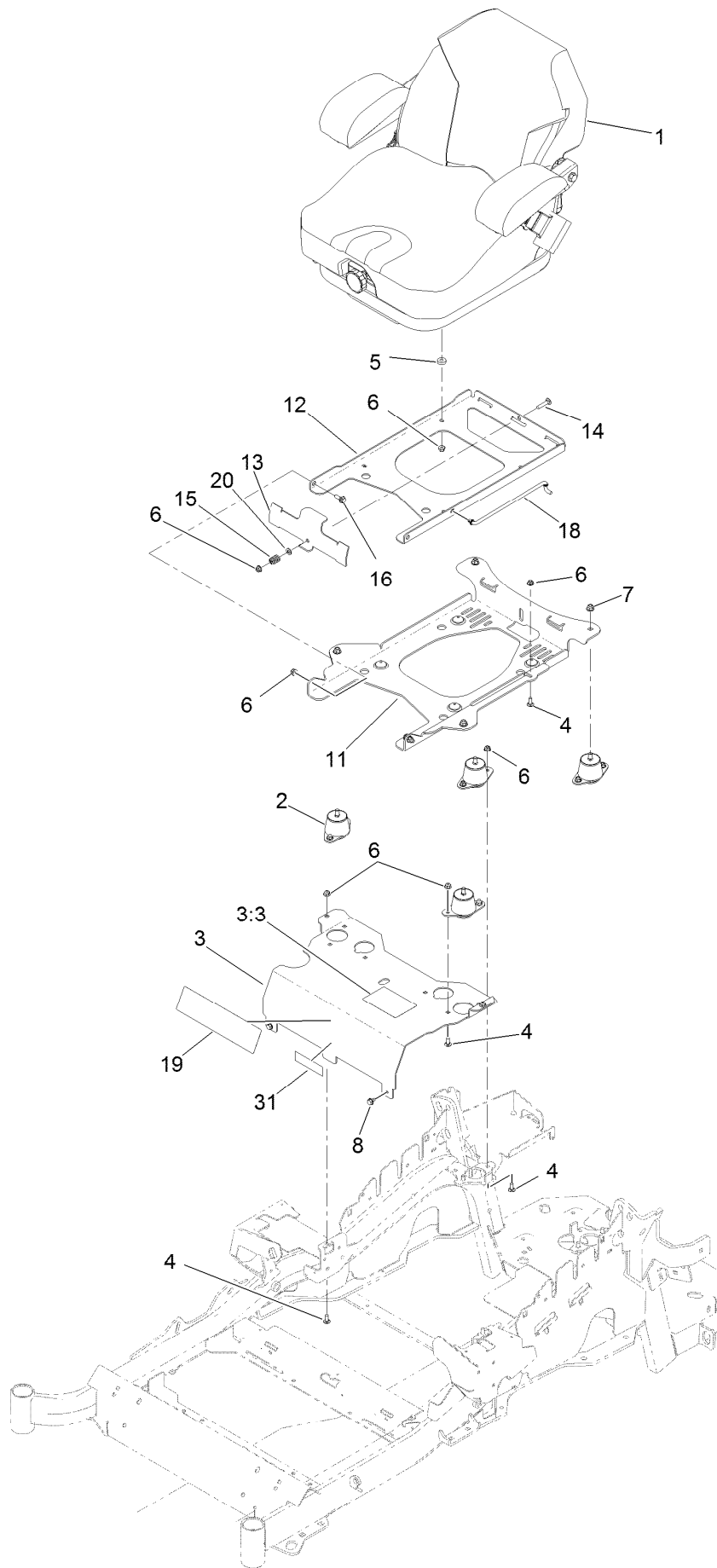
LPG Valve and Tank Assembly



LPG Valve and Tank Assembly (continued)

<i>Ref.</i>	<i>Part Number</i>	<i>Qty.</i>	<i>Description</i>	<i>Ref.</i>	<i>Part Number</i>	<i>Qty.</i>	<i>Description</i>
8	104-7201	2	Nut-Flange, NI	18	126-4507	1	Tank-LPG
15	116-9915	1	LPG Hose ASM	19	321-5	4	Screw-HH
15:1	116-9312	1	LPG Fuel Hose ASM	20	116-3358-03	1	Shield-Fan
15:2	116-1055	1	Elbow-45 DEG	21	116-3359-03	1	Strap
15:3	116-1073	1	Connector-LPG Tank, LH Thread	23	116-3446	1	Decal-Meter, Hour
				27	3218-1	1	Nut-Jam

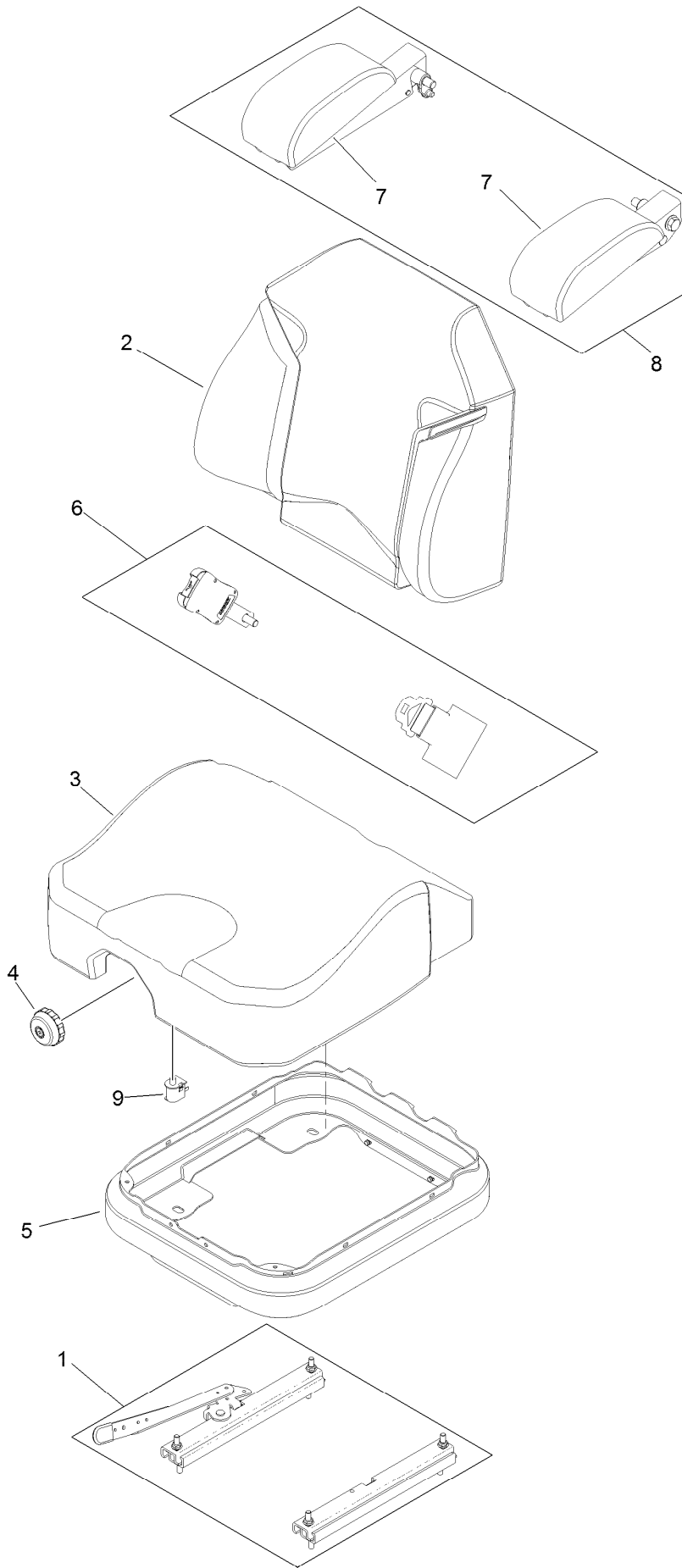
Seat Mount Assembly



Seat Mount Assembly (continued)

<i>Ref.</i>	<i>Part Number</i>	<i>Qty.</i>	<i>Description</i>	<i>Ref.</i>	<i>Part Number</i>	<i>Qty.</i>	<i>Description</i>
1	125-3107	1	Suspension Seat ASM	12	116-3859-03	1	Plate-Frame, Seat
2	109-9034	4	Isolator-Seat	13	109-9881-03	1	Plate-Latch, Seat
3	127-0320	1	Seat Mount ASM	14	3230-4	1	Screw-CARR
3:3	125-9383	1	Decal-Service Aid	15	107-3017	1	Spring-Compression
4	3230-23	11	Screw-CARR	16	116-1297	2	Screw-Shoulder
5	26-4840	4	Spacer-Pin, Mounting	18	116-0070	1	Rod-Prop
6	104-8300	18	Nut-Flange, NI	19	120-5893	1	Decal
7	104-8301	4	Nut-Flange, NI	20	3256-23	1	Washer-Flat
8	9266934	2	Screw	31	127-0308	1	Decal-Efi Propane
11	116-3860-03	1	Plate-Tilt, Seat Support				

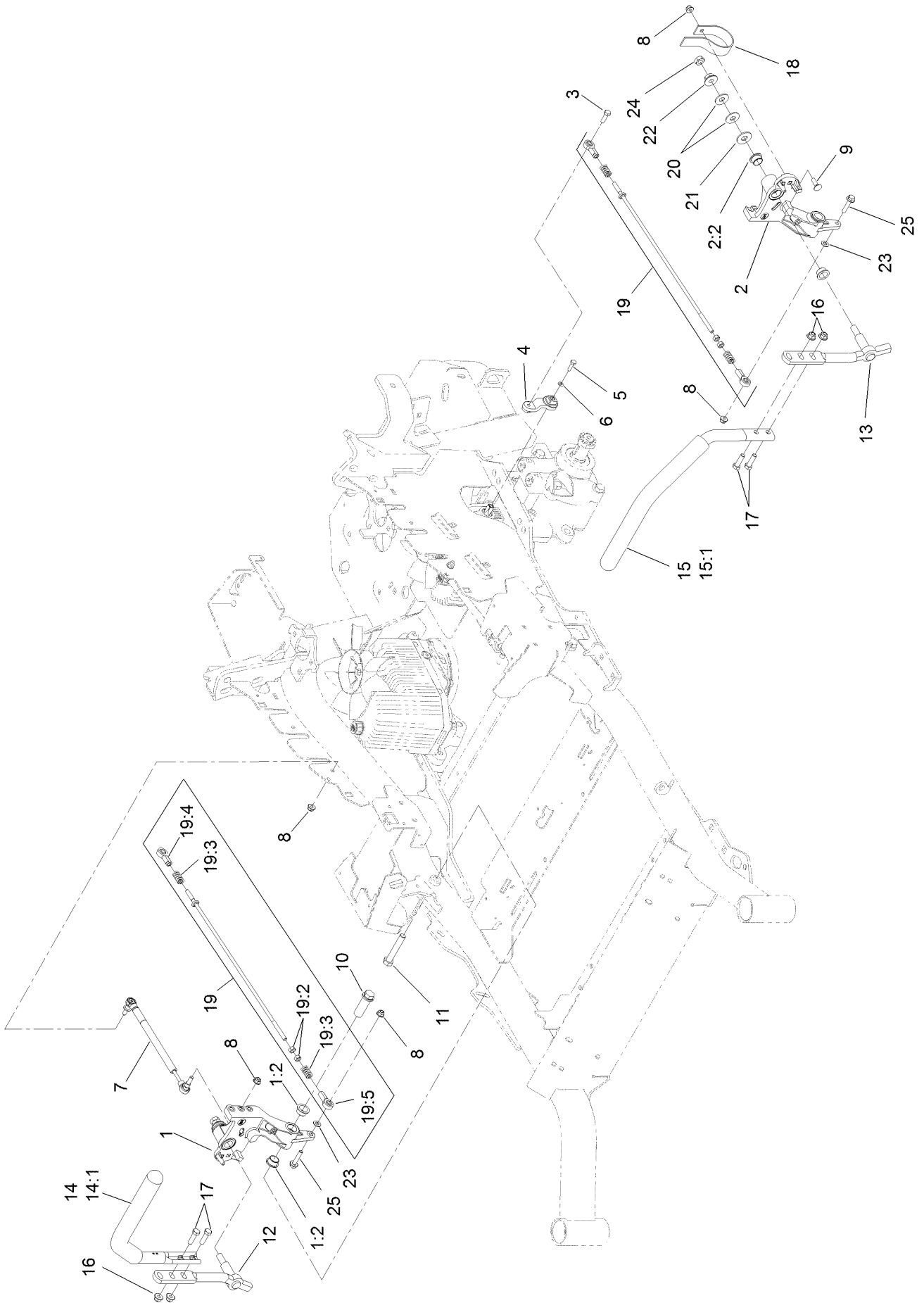
Seat Assembly No. 125-3107



Seat Assembly No. 125-3107 (continued)

<i>Ref.</i>	<i>Part Number</i>	<i>Qty.</i>	<i>Description</i>	<i>Ref.</i>	<i>Part Number</i>	<i>Qty.</i>	<i>Description</i>
1	116-8910	1	Seat Track Set	6	126-2061	1	Seat Belt Service Kit
2	125-3112	1	Cover-Back	7	109-9802	1	Arm Rest Pad Set
3	125-3111	1	Cover-Cushion	8	109-9803	1	Arm Rest Set
4	116-8911	1	Knob-Adjuster	9	82-2190	1	Switch-Bail
5	116-5659	1	Cover-Suspension Bellows				

Motion Control Assembly

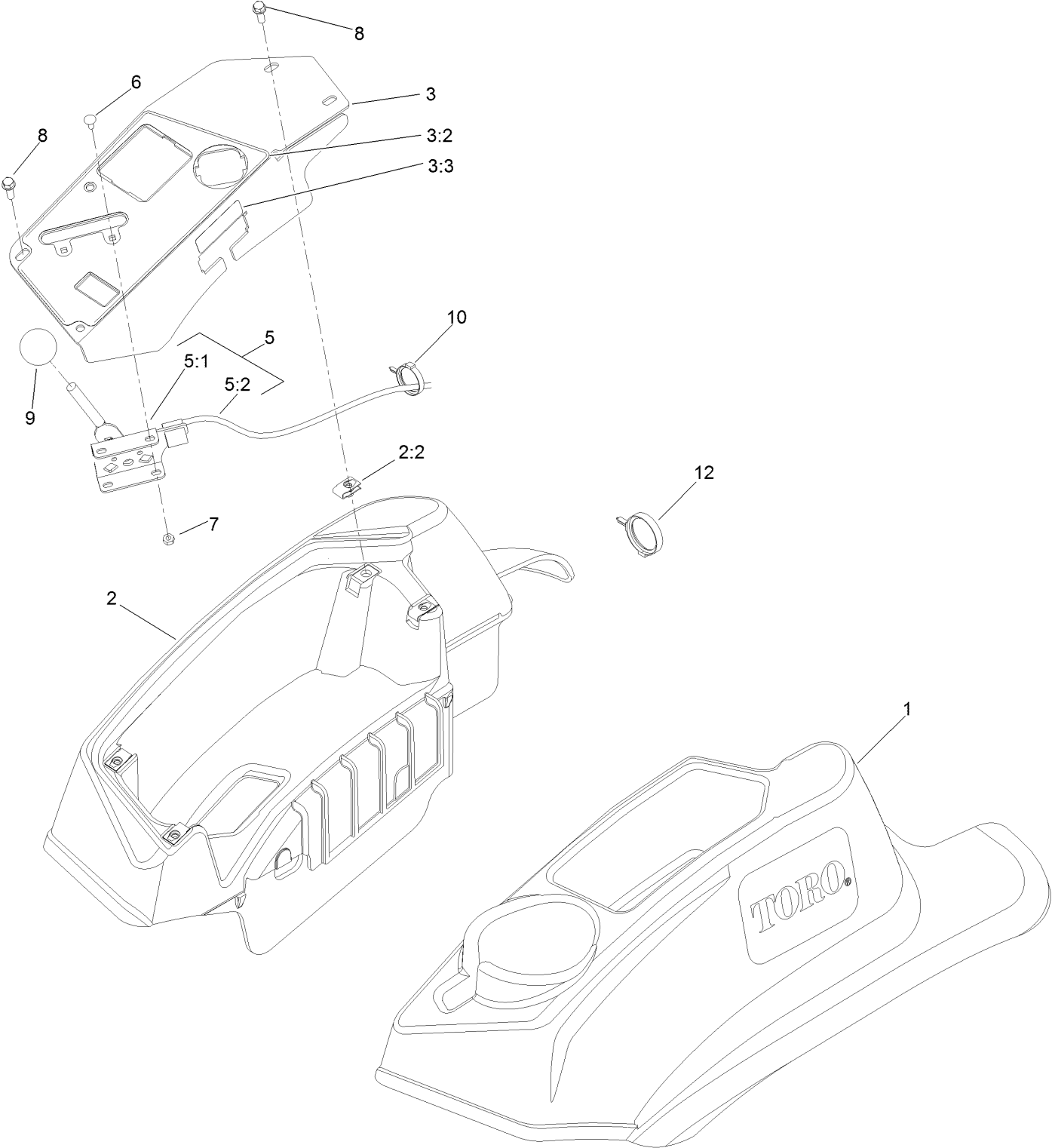


Motion Control Assembly (continued)

<i>Ref.</i>	<i>Part Number</i>	<i>Qty.</i>	<i>Description</i>	<i>Ref.</i>	<i>Part Number</i>	<i>Qty.</i>	<i>Description</i>
1	116-0880	1	RH Motion Control And Bushing ASM	14	109-6589	1	RH Steering Handle ASM
1:2	109-8054	4	Bushing-Flange	14:1	109-5668	1	Grip-Control, Lever
2	116-0881	1	LH Motion Control And Bushing ASM	15	109-6590	1	LH Steering Handle ASM
2:2	109-8054	4	Bushing-Flange	15:1	109-5668	1	Grip-Control, Lever
3	116-0648	2	Screw-HH, Thread Locking ●	16	104-8301	4	Nut-Flange, NI
4	109-4581	2	Arm-Control, Pump	17	323-7	4	Screw-HH
5	9080046	2	Screw-HH ●	18	109-5575	2	Spring-Leaf
6	1-303435	2	Washer-Spring	19	109-8106	2	Front Pump Linkage ASM
7	116-0027	2	Damper-Control, Motion	19:2	3219-2	2	Nut-Hex
8	104-8300	8	Nut-Flange, NI	19:3	1-323245	2	Spring-Compression
9	3230-2	2	Bolt-CARR	19:4	1-633152	1	Balljoint-LH
10	109-5891	2	Hub-Threaded	19:5	1-543017	1	Balljoint-RH
11	325-12	2	Screw-HH	20	109-9505	4	Washer-Spring
12	116-0039	1	Lever-Control Motion, RH	21	3256-6	2	Washer-Flat
13	116-0040	1	Lever-Control Motion, LH	22	32128-56	2	Nut-HF
				23	3256-23	2	Washer-Flat
				24	3218-5	2	Nut-Jam
				25	115-1794	2	Screw-HHF

● Use Pro-Lock, Nut Type (P/N 1-840022, .5ml tube) on threads.

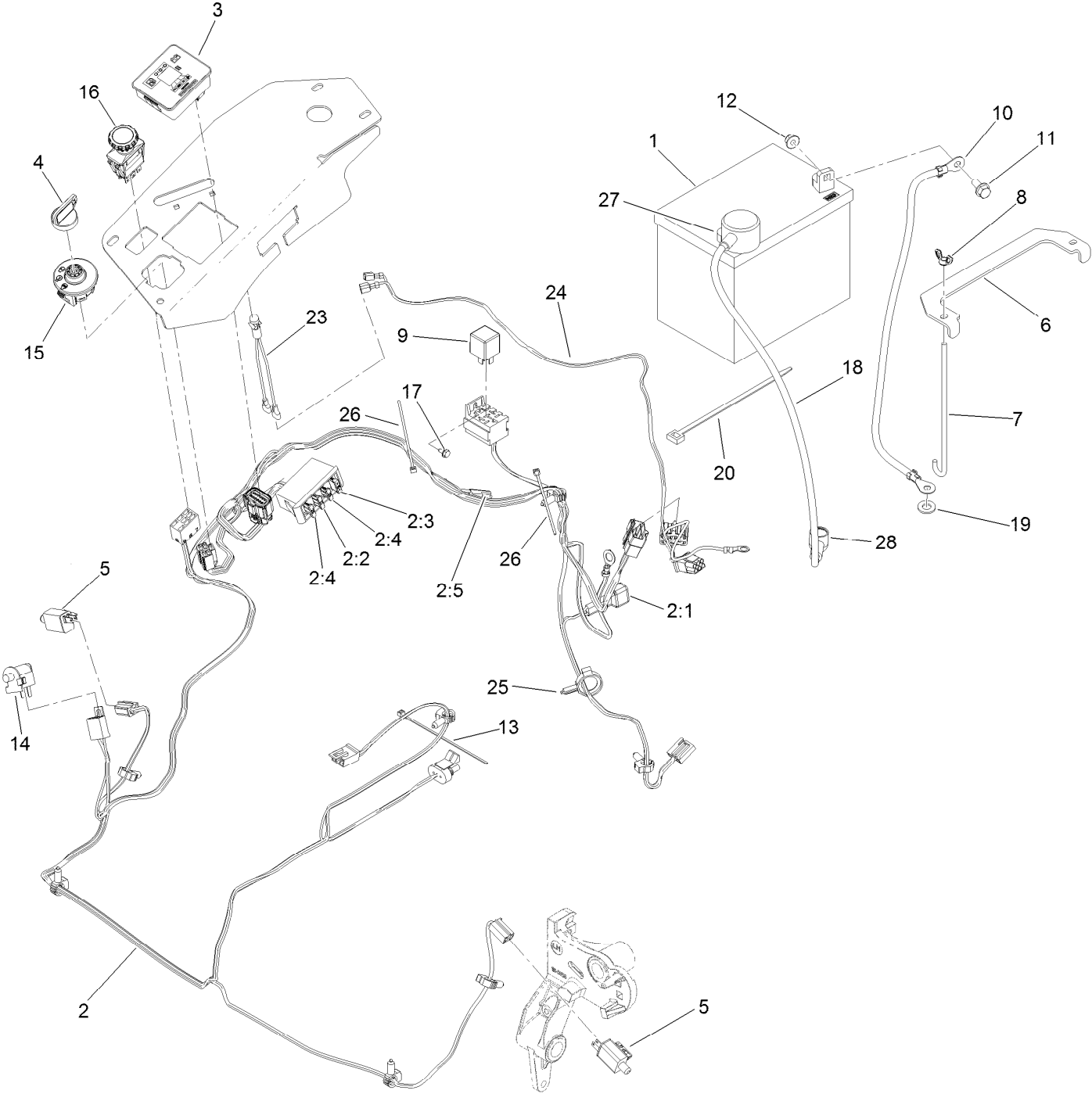
Fender, Console and Control Assembly



Fender, Console and Control Assembly (continued)

<i>Ref.</i>	<i>Part Number</i>	<i>Qty.</i>	<i>Description</i>	<i>Ref.</i>	<i>Part Number</i>	<i>Qty.</i>	<i>Description</i>
1	119-2602	1	Console-LH	5:2	115-3868	1	Cable-Throttle
2	119-2603	1	RH Console ASM	6	1-807513	2	Bolt-CARR
2:2	107069	4	Clip	7	3296-2	2	Nut-Lock, NI
3	121-7587	1	Control Panel W/Decal ASM	8	32105-15	4	Screw-HWH
3:2	121-7586	1	Decal-Panel, Control	9	1-603175	1	Knob-Ball
3:3	114-4466	1	Decal-Fuses	10	105-1853	1	Clamp-Hose
5	115-2752	1	Throttle Control ASM	12	117-7817	1	Clamp-Harness
5:1	112-2334	1	Lever-Throttle				

Electrical System Assembly



Electrical System Assembly (continued)

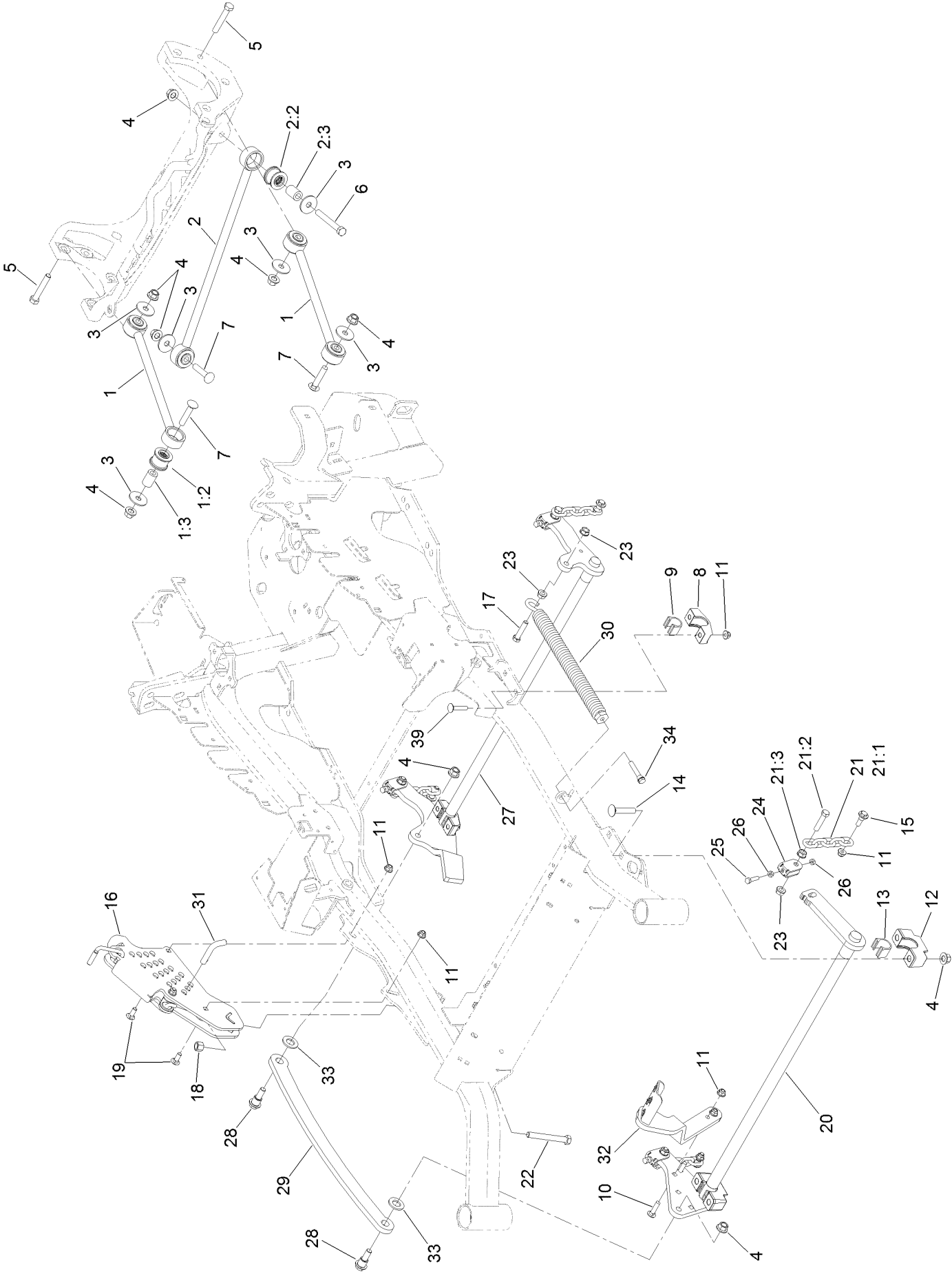
<i>Ref.</i>	<i>Part Number</i>	<i>Qty.</i>	<i>Description</i>	<i>Ref.</i>	<i>Part Number</i>	<i>Qty.</i>	<i>Description</i>
1		1	Battery (300 Cca, Wet) ●■	12	104-8300	2	Nut-Flange, NI
2	116-6009	1	Harness-Wire, Main ▲	13	1-303287	3	Tie-Cable
2:1	103-3895	1	Diode	14	82-2190	1	Switch-Bail
2:2	218-578	1	Fuse-Blade, 10 Amp	15	117-2221	1	Switch-Ignition
2:3	109355	1	Fuse-Blade, 15 Amp	16	116-0124	1	Switch-PTO, 10 Amp
2:4	109102	2	Fuse-Blade, 25 Amp	17	104-2065	1	Screw-HWH
2:5	116-0053	1	Cap-Plug	18	115-3864	1	Cable-Battery, Positive
3	117-3882	1	Fuel/Hour Meter ASM	19	3256-24	1	Washer-Flat
4	63-8360	1	Key-Ignition	20	1-303335	1	Tie-Plastic
5	110-6765	2	Switch	23	1-643267	1	Indicator-Led, Red
6	116-0042-03	1	Strap-Tie Down, Battery	24	116-3062	1	Harness-Light, Indicator
7	1-633651	2	Bolt-Holddown	25	105-1853	1	Clamp-Hose
8	1-543792	2	Wingnut	26	1-303287	2	Tie-Cable
9	1-643275	1	Relay	27	109-2407	1	Insulator-Battery
10	114-1218	1	Cable-Battery, Negative	28	1-543393	1	Insulator-Solenoid
11	3234-5	2	Screw-HHF				

● Obtain locally.

■ Not serviced separately

▲ Use dielectric grease on all unsealed connectors and terminals only. Do not apply in sealed connectors.

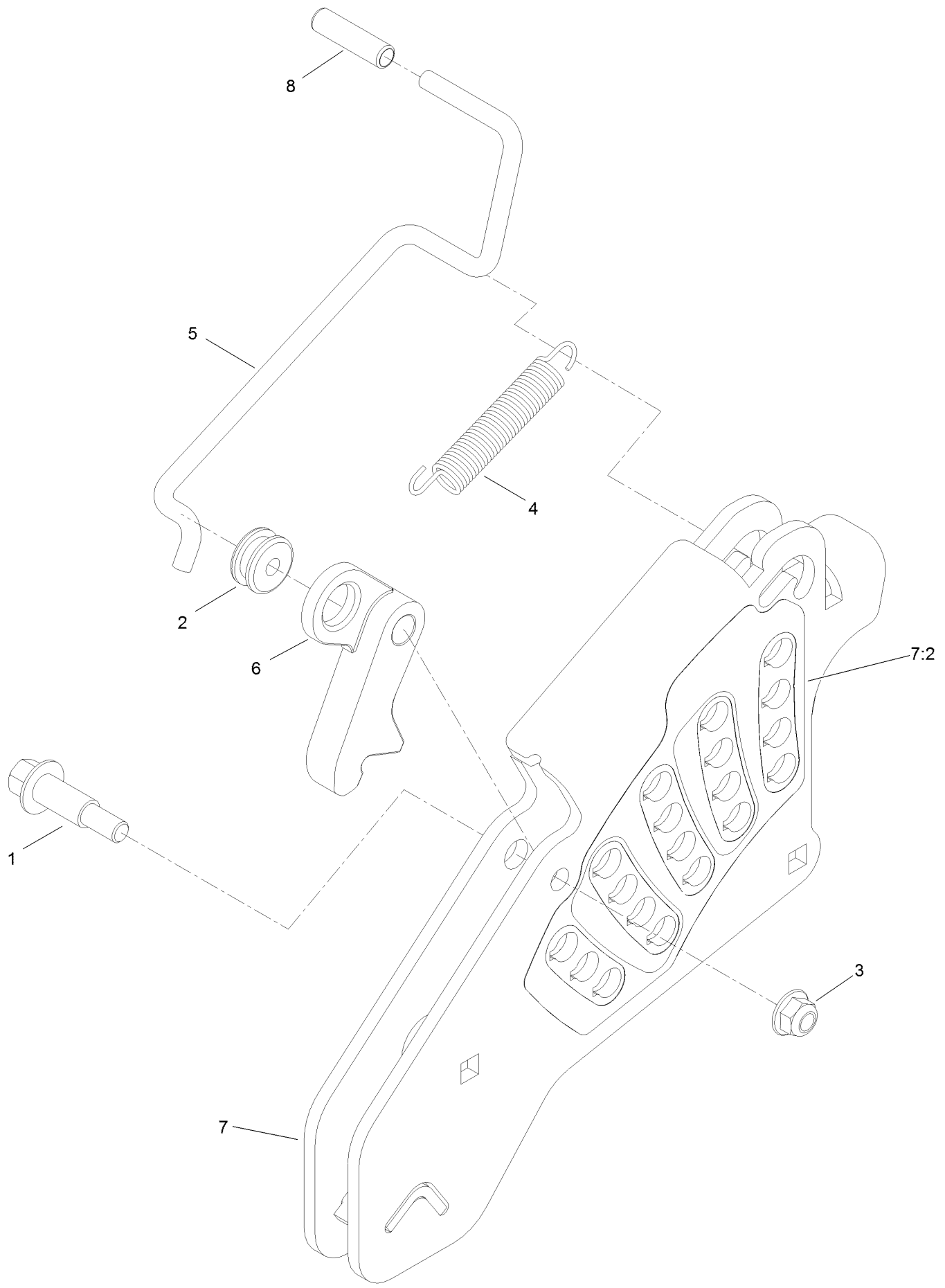
Decklift Assembly



Decklift Assembly (continued)

<i>Ref.</i>	<i>Part Number</i>	<i>Qty.</i>	<i>Description</i>	<i>Ref.</i>	<i>Part Number</i>	<i>Qty.</i>	<i>Description</i>
1	109-7952	2	Deck Strut ASM	16	109-7438	1	HOC ASM
1:2	109-5009	2	Bushing-Suspension, Rubber	17	109-9065	1	Screw-HH
1:3	109-5010	2	Spacer	18	3296-23	1	Nut-Lock, NI
2	109-5013	1	Panhard Rod ASM	19	3231-2	2	Bolt-CARR
2:2	109-5009	2	Bushing-Suspension, Rubber	20	126-2475-03	1	Decklift-Front
2:3	109-5010	2	Spacer	21	116-0756	4	Deck Lift Chain ASM
3	86-1990	6	Washer-Thrust	21:1	1-633447	1	Chain-Lift, Deck
4	99-5107	12	Nut-Lock	21:2	109-9065	1	Screw-HH
5	325-12	2	Screw-HH	21:3	32128-37	1	Nut-HF
6	325-17	1	Screw-HH	22	116-0559	1	Bolt-TAP
7	3233-34	3	Screw-CARR	23	32128-37	6	Nut-HF
8	127-0553	2	Support-Cross Shaft, Bearing Rear	24	109-9066	4	Yoke-Adjust, Deck
9	109-7173	2	Bearing-Cross Shaft, Rear	25	322-47	4	Screw-HH
10	3231-4	2	Screw-CARR	26	3218-2	8	Nut-Jam
11	104-8301	12	Nut-Flange, NI	27	116-0459-03	1	Lift-Deck, Rear
12	109-9409	2	Support-Cross Shaft, Bearing	28	116-0780	2	Screw-Shoulder, HHF
13	109-9410	2	Bearing-Cross Shaft, Front	29	116-0797-03	1	Link-Lift, Deck
14	116-1700	4	Bolt-CARR	30	116-0000	1	Spring-Extension
15	109-9840	4	Screw-Shoulder, HHF	31	116-5584	1	Pin-HOC
				32	116-1919-01	1	Lever-Foot
				33	3256-28	2	Washer-Flat
				34	92-7674	1	Bolt-Shoulder
				39	3231-7	4	Screw-CARR

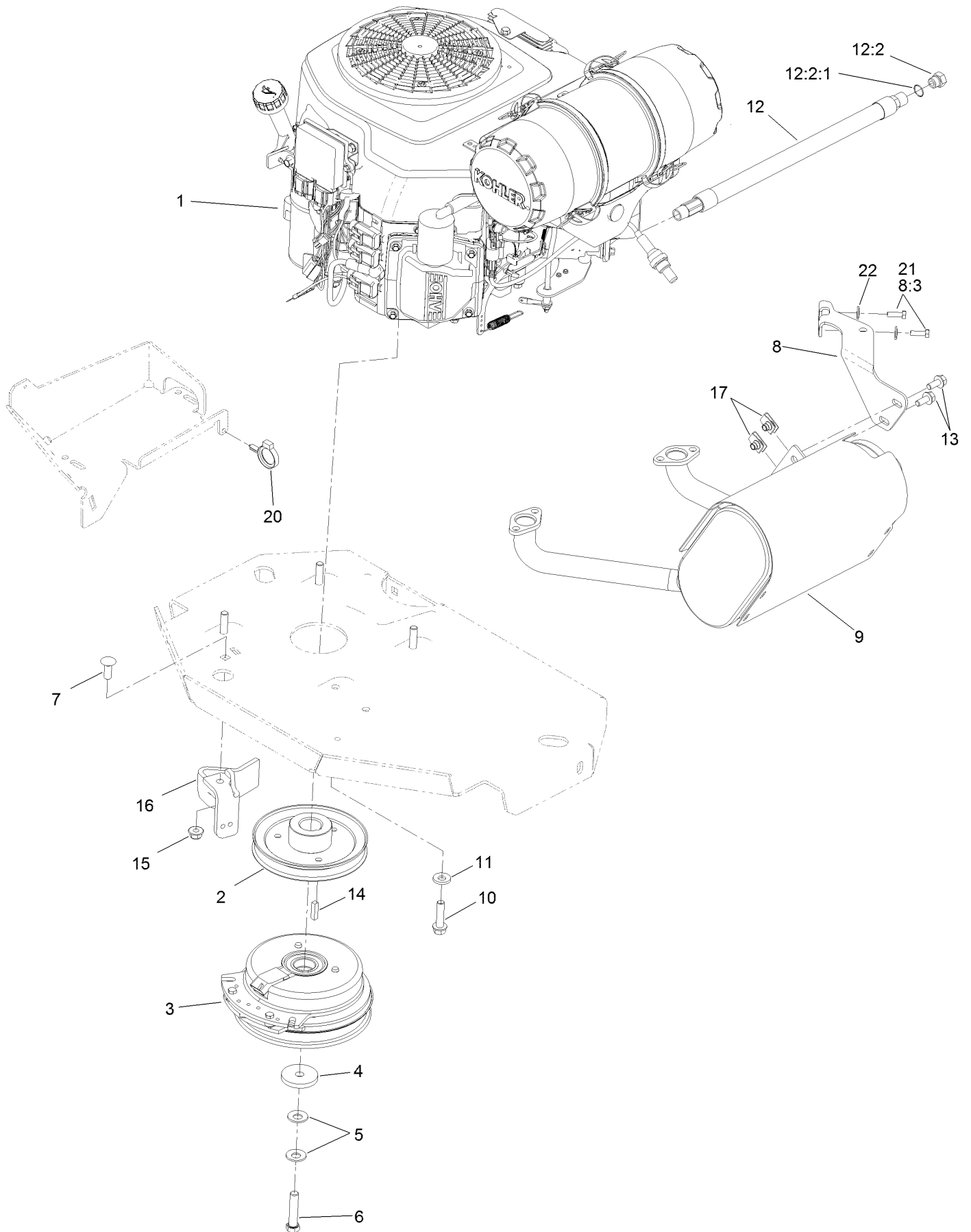
Height-of-Cut Assembly No. 109-7438



Height-of-Cut Assembly No. 109-7438 (continued)

<i>Ref.</i>	<i>Part Number</i>	<i>Qty.</i>	<i>Description</i>	<i>Ref.</i>	<i>Part Number</i>	<i>Qty.</i>	<i>Description</i>
1	62-1330	1	Bolt-Shoulder	6	116-0118	1	Pawl-Transport, HOC
2	109-7130	1	Grommet	7	109-7335	1	HOC Plate ASM
3	104-8301	1	Nut-Flange, NI	7:2	126-4398	1	Decal-HOC
4	109-7124	1	Spring-Extension	8	109-8250	1	Grip-Lever
5	109-7128	1	Rod-Lock, Transport				

Engine, Clutch and Muffler Assembly



Engine, Clutch and Muffler Assembly (continued)

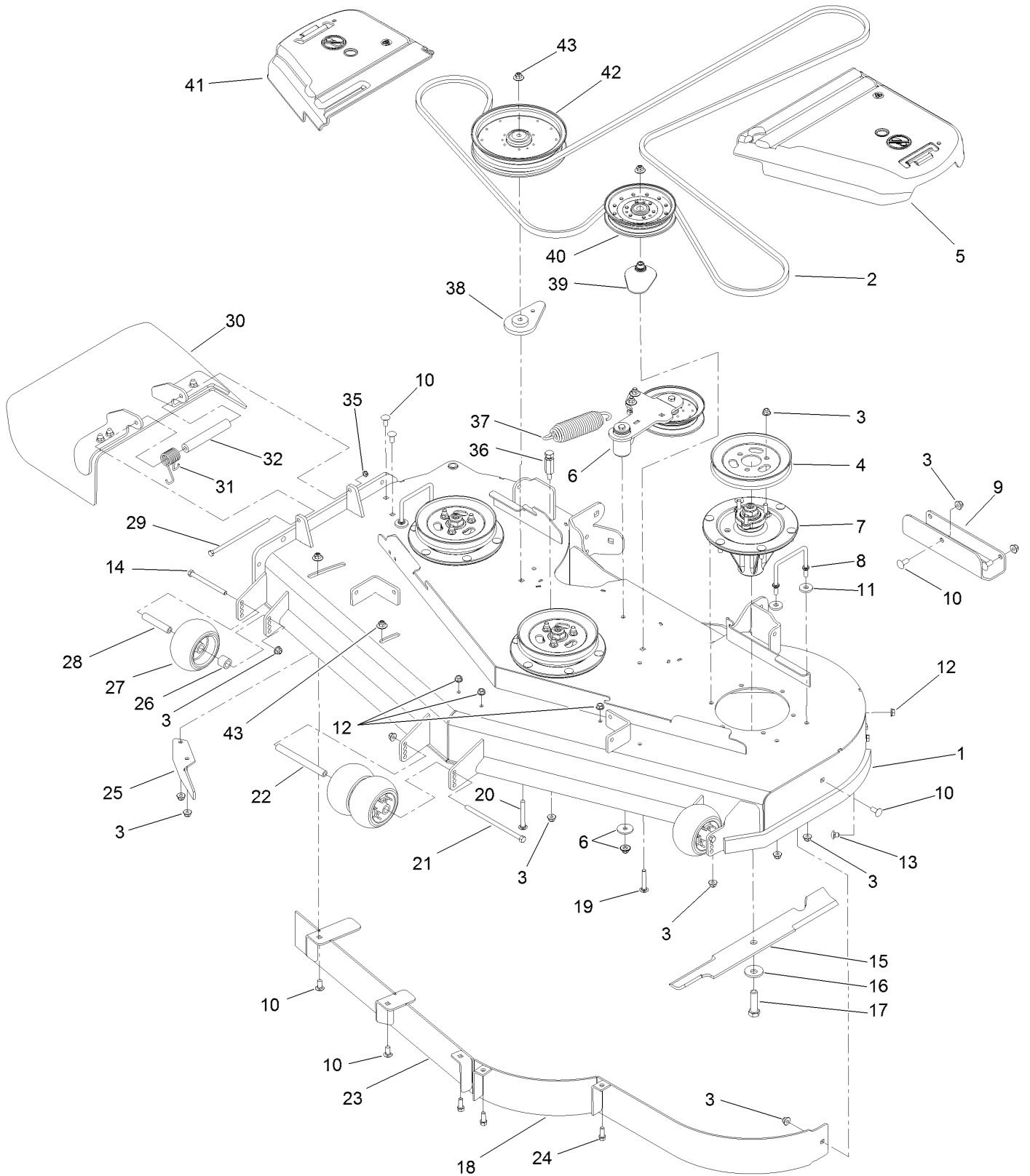
<i>Ref.</i>	<i>Part Number</i>	<i>Qty.</i>	<i>Description</i>	<i>Ref.</i>	<i>Part Number</i>	<i>Qty.</i>	<i>Description</i>
1		1	Engine-Kohler, Pcv740 Efi LP ● ■	11	98-5975	4	Washer-Belleville
2	109-9905	1	Sheave	12	116-5316	1	Oil Drain Hose ASM
3	116-1620	1	Clutch Kit	12:2	353-508	1	Plug-HH
4	109-6919	1	Washer-Clutch	12:2:1	237-42	1	O-Ring
5	1-603610	2	Washer-Spring	13	3234-5	2	Screw-HHF
6	109-9761	1	Screw-HH ▲	14	1-807259	1	Key
7	3231-22	1	Screw-CARR	15	104-8301	1	Nut-Flange, NI
8	116-3704	1	Bracket-Muffler	16	116-2612-01	1	Clutch-Anchor
8	116-4297	1	Muffler Bracket Kit	17	94-2413	2	Nut-U
8:3	116-4295	2	Screw-HH	20	104-2490	1	Clamp-Hose
9	116-2038	1	Muffler	21	116-4295	2	Screw-HH
10	32144-102	4	Screw-HWH	22	1-303435	2	Washer-Spring

● Not serviced separately

▲ Use Pro-Lock, Nut Type (P/N 1-840022, .5ml tube) on threads.

■ Obtain parts from www.kohlerplus.com

Deck Assembly

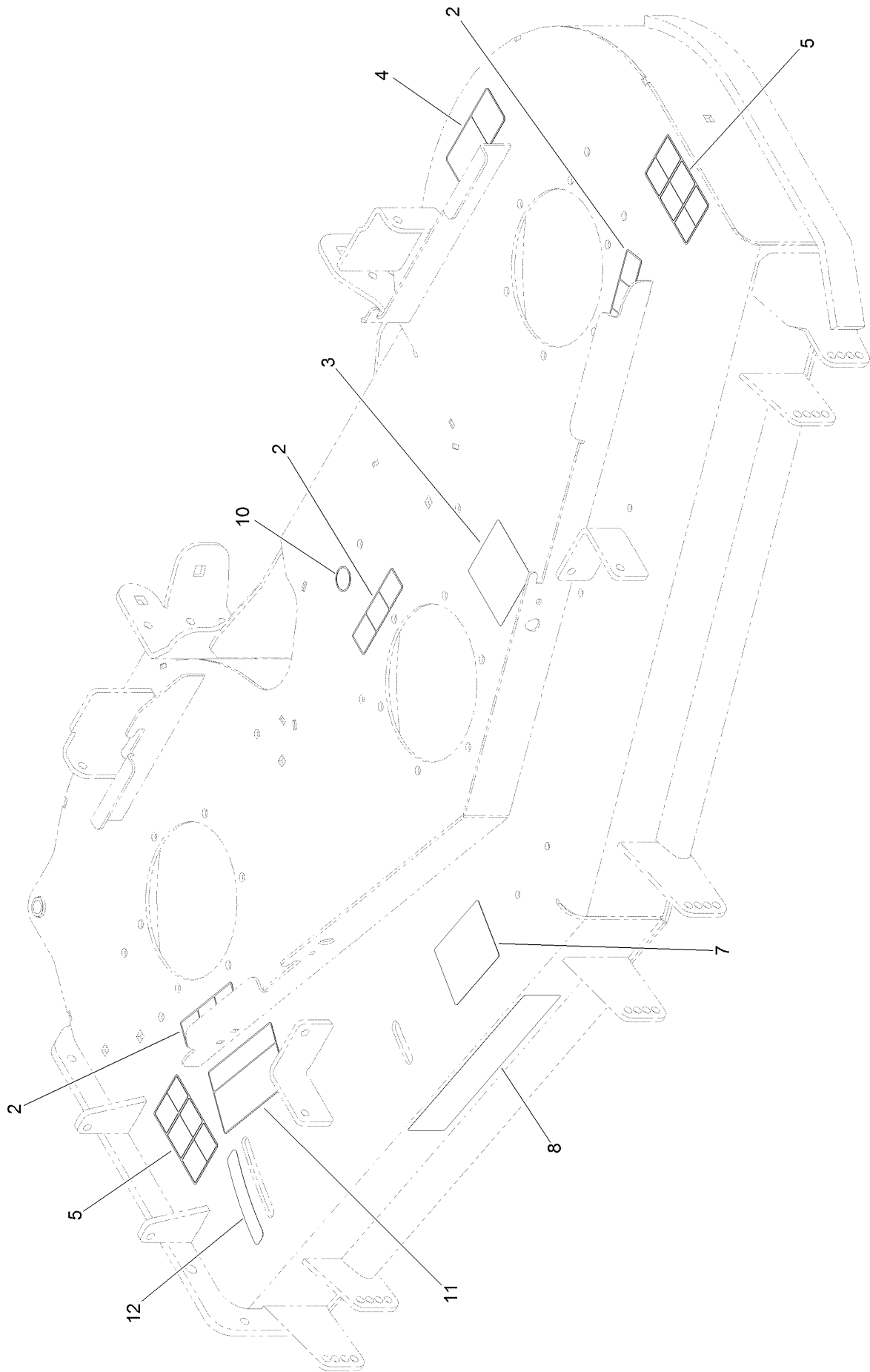


Deck Assembly (continued)

<i>Ref.</i>	<i>Part Number</i>	<i>Qty.</i>	<i>Description</i>	<i>Ref.</i>	<i>Part Number</i>	<i>Qty.</i>	<i>Description</i>
1	114-5815	1	Deck Decal ASM	22	98-5967	1	Spacer-Wheel
2	114-5858	1	Belt-V	23	115-7465-01	1	Baffle
3	104-8301	42	Nut-Flange, NI	24	92-1624	3	Screw-HWH
4	105-7734	3	Pulley	25	106-3216-01	1	Baffle-Discharge
5	109-6938	1	Cover-Belt, LH	26	98-7913	2	Tube-Spacer
6		1	Idler Arm ASM ●	27	1-603299	4	Roller-Scalp, Anti
7	119-8560	3	Spindle ASM	28	98-7912	2	Tube-Spanner
8	109-6982	2	Wireform-Cover	29	322-50	1	Screw-HH
9	121-8031-01	1	Plate-Skid	30	108-2792	1	Rubber Deflector ASM
10	3231-27	9	Screw-CARR	31	108-4052	1	Spring-Torsion
11	1-373034	4	Washer	32	105-4622	1	Spacer
12	3290-357	6	Nut-HHF, Whiz	35	3296-47	1	Nut-Lock, NI
13	108-5387	3	Screw-CARR	36	114-5867	1	Anchor-Spring, Tall
14	323-23	2	Screw-HH	37	116-6317	1	Spring-Extension
15	105-7718-03	3	Blade-Hi Flow	38	109-9416	1	Spacer-Idler
16	103-0865	3	Washer-Blade Bolt, Heavy	39	109-2872	1	Spacer-Pulley
17	51-4060	3	Screw-Blade	40	116-4670	1	Pulley-Idler, Flat
18	114-5842-01	1	Baffle	41	116-0094	1	Cover-Belt, RH
19	3231-40	1	Bolt-CARR, Short Neck	42	109-8590	1	Pulley-Idler
20	3231-42	1	Screw-CARR	43	109-6658	4	Nut-Flange, NI
21	108-5388	1	Screw-HH				

● Not serviced separately

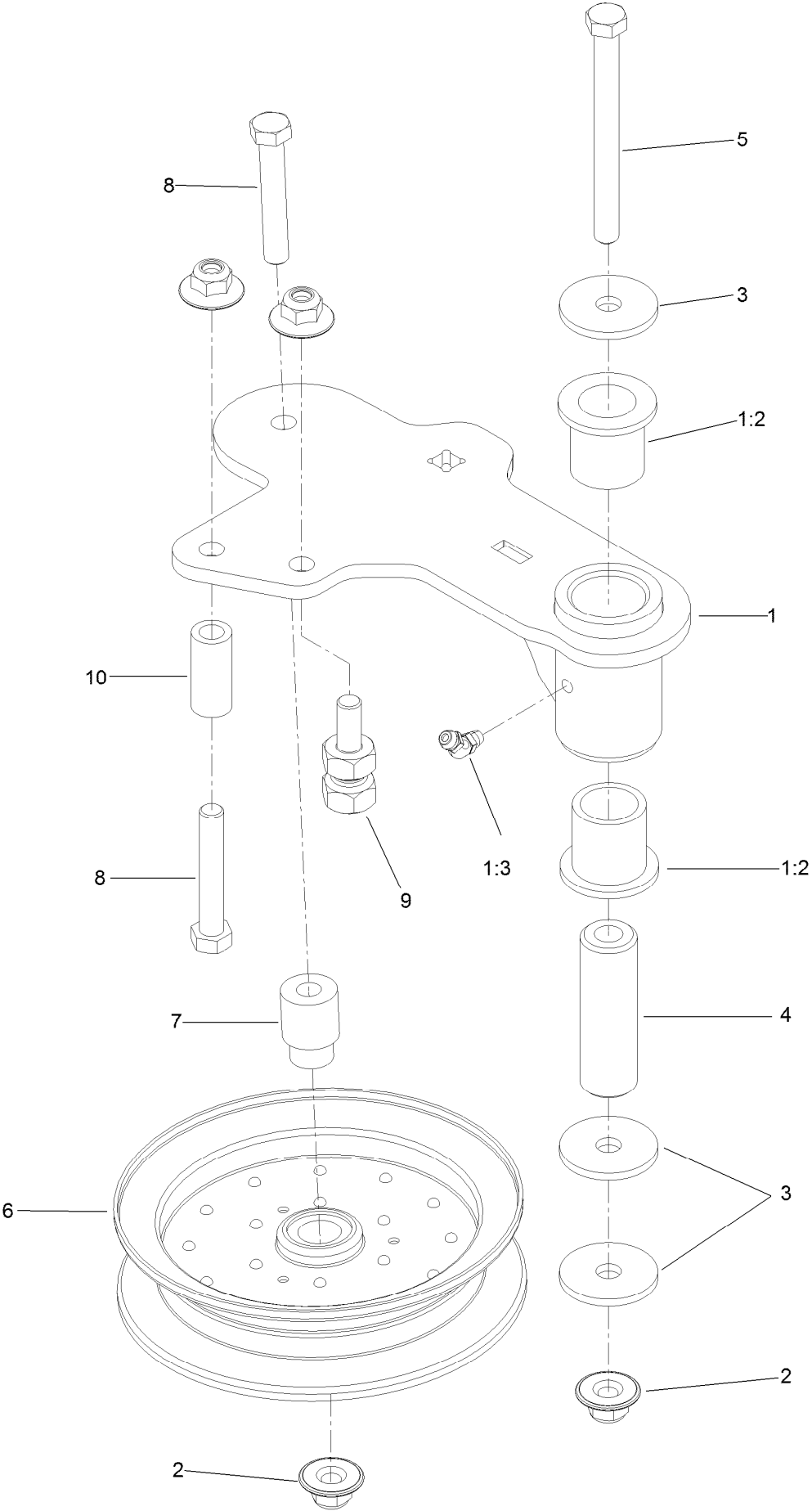
Deck Decal Assembly No. 114-5815



Deck Decal Assembly No. 114-5815 (continued)

<i>Ref.</i>	<i>Part Number</i>	<i>Qty.</i>	<i>Description</i>	<i>Ref.</i>	<i>Part Number</i>	<i>Qty.</i>	<i>Description</i>
2	112-9028	3	Decal-Missing, Cover	8	107-1619	1	Decal
3	115-7445	1	Decal-Routing, Deck Belt	10	58-6520	1	Decal-Grease
4	93-7818	1	Decal-Torque, Blade Bolt	11	110-2068	1	Decal-Adjustment, Baffle
5	117-3848	2	Decal-Danger	12	110-2067	1	Decal-Setting, Baffle
7	127-0326	1	Decal-Anti Scalp				

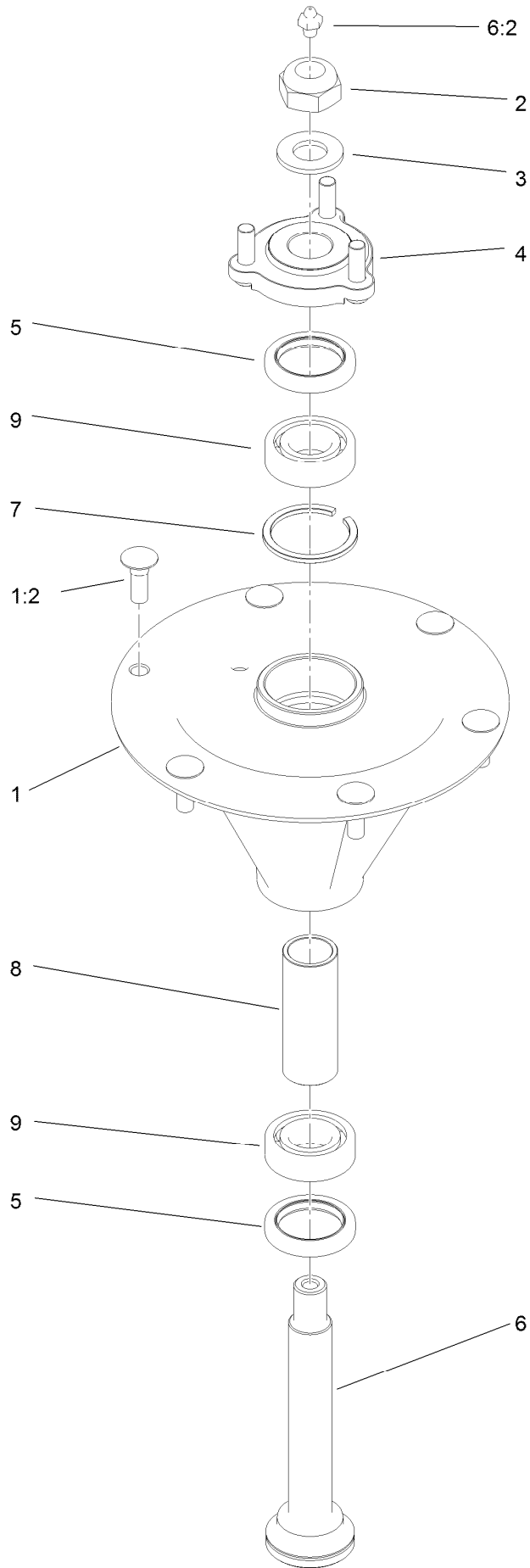
Idler Assembly



Idler Assembly (continued)

<i>Ref.</i>	<i>Part Number</i>	<i>Qty.</i>	<i>Description</i>	<i>Ref.</i>	<i>Part Number</i>	<i>Qty.</i>	<i>Description</i>
1	114-5870	1	Idler Arm ASM	5	98-5961	1	Screw-HH
1:2	1-303514	2	Bearing-Flanged	6	116-4668	1	Idler-Pulley, Flanged
1:3	1481	1	Fitting-Grease	7	112-4212	1	Mount-Pulley
2	109-6658	4	Nut-Flange, NI	8	323-11	2	Screw-HH
3	1-213069	3	Washer	9	114-5866	1	Anchor-Spring, Short
4	114-5848	1	Spacer-Plain	10	104-0151	1	Spacer

Spindle Assembly No. 119-8560

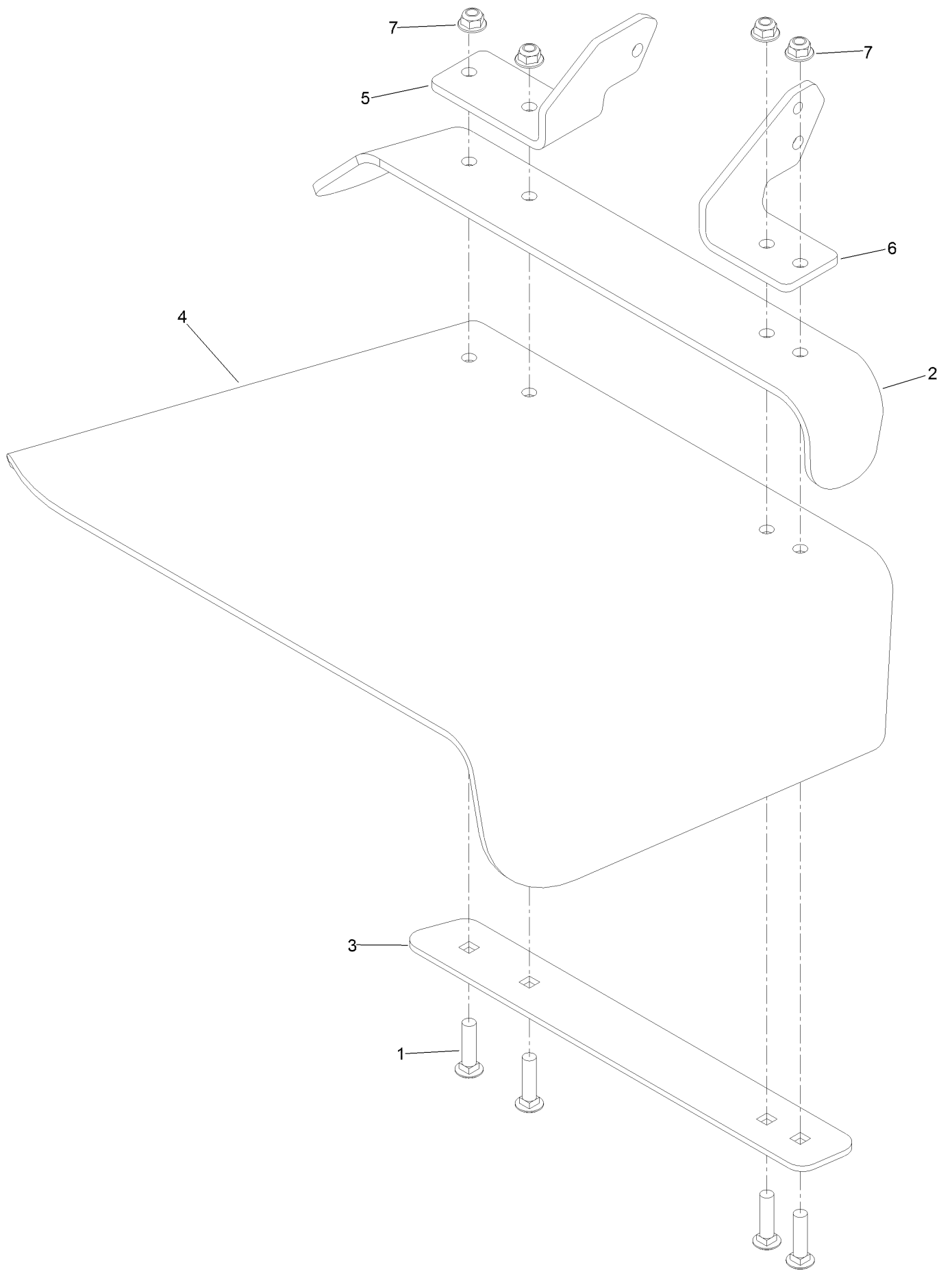


Spindle Assembly No. 119-8560 (continued)

<i>Ref.</i>	<i>Part Number</i>	<i>Qty.</i>	<i>Description</i>	<i>Ref.</i>	<i>Part Number</i>	<i>Qty.</i>	<i>Description</i>
1		1	Spindle Housing And Studs ASM ●	5	253-133	2	Seal-Oil
1:2	114-8195	6	Bolt-Ribbed Neck	6	119-8527	1	Shaft-Spindle
2	3296-67	1	Nut-Lock, NI	6:2	302-2	1	Fitting-Grease
3	92-5836	1	Washer	7	119-8532	1	Snap Ring
4	117-6172	1	Spindle Hub ASM	8	117-6184	1	Spacer
				9	119-8558	2	Bearing-Noseal

● Not serviced separately

Rubber Deflector Assembly No. 108-2792



Rubber Deflector Assembly No. 108-2792 (continued)

<i>Ref.</i>	<i>Part Number</i>	<i>Qty.</i>	<i>Description</i>	<i>Ref.</i>	<i>Part Number</i>	<i>Qty.</i>	<i>Description</i>
1	3231-4	4	Screw-CARR	5	108-4059-01	1	Plate-Hinge, Rear
2	106-3246-01	1	Deflector	6	106-3253-01	1	Plate-Hinge, Front
3	106-3248-03	1	Strap-Discharge	7	104-8301	4	Nut-Flange, NI
4	108-5029	1	Deflector-Rubber				

Attachments and Accessories

For 74933 Z Master Professional 5000 Series Riding Mower, with 60in TURBO FORCE Side Discharge Mower

Product Name	Model/Part
Deluxe Seat Kit.....	121-7595
Recycler Kit	115-7468
Operator Controlled Discharge Chute Kit.....	117-3600
Bimini Folding Shade Assembly	115-4510
Z Stand Kit.....	121-4811
Light Kit.....	116-1154
Hitch Kit	109-9487
Trash Holder Kit.....	TC26
Hypr-Oil 500 (quart).....	114-4713
Hypr-Oil 500 (gallon).....	114-4714
Hypr-Oil 500-5 (5 gallon).....	114-4715
Blade-Hi Flow, 20.5in.....	105-7718-03
Blade-Mid Flow, 20.5in	105-7715-03
Blade-Lo Flow, 20.5in	105-7716-03
Blade-Atomic, 20.5in	105-8777-03
Blade-Recycler, 20.5in.....	105-7777-03
6 Pack Blade, 20.5in Hi-Flow	108-1114
6 Pack Blade, 20.5in Mid-Flow	108-1123
6 Pack-Blade, 20.5in Lo Flow	108-1128
6 Pack-Blade, 20.5in Atomic.....	108-1115
6 Pack-Blade, 20.5in Recycler.....	110-0405
Roller Striper Kit.....	115-7470
Filter Minder Gauge	99-4664
Toro Deluxe Rider Cover.....	490-7319
Spark Arrestor Screen	75-6880
Anti-Scalp Kit (Trim Side).....	108-4140
Turbo Baffle Kit	107-1634
Seat Tilt Frame And Iso Mount Kit.....	121-7596

Notes:

Notes:

Notes:



Count on it.