



Count on it.

Parts Catalog

Sand Pro® 5040 Traction Unit

Model No. 08705—Serial No. 316000001 and Up



Ordering Replacement Parts

To order replacement parts, please supply the part number, the quantity, and the description of each part desired.

Understanding Reference Numbers

Each identified part in an illustration has a reference number. The reference number for a part also appears in the parts list, along with other information about the part.

This catalog uses two special reference number formats, one to indicate parts in a service assembly and another to indicate the quantity of a given part in an illustration.

Service Assembly Reference Numbers

Parts in service assemblies have reference numbers in the form a:b. The a represents the reference number of the entire service assembly and the b represents a sequential number unique to each part within the service assembly.

For example, a wheel assembly might be identified by reference number 6, the tire by 6:1, the valve by 6:2, and the wheel by 6:3. When you order the assembly identified by reference number 6, you receive all parts identified by reference numbers 6:1, 6:2, and 6:3. However, you may also order any part individually. Reference numbers of this type appear in illustration and in parts lists.

Reference Numbers Indicating Quantity

In an illustration, if a reference number indicates more than one part, the reference number has the form nX y. The n represents the quantity of the part, the X is the multiplication symbol, and the y represents the reference number.

For example, in an illustration, the reference number 2X 37 means that two of the parts identified by reference number 37 are indicated.

List of Abbreviations

AR: as required

ASM: assembly

BBC: blade brake control

BHTF: button head thread forming

CARR: carriage

CCW: counter clockwise

CW: clockwise

DEG: degrees

DPA: Dual Point Adjustment

ECM: electronic control module

EXT: external

FH: flat head

GA: gauge

HD: heavy-duty

HF: hex flange

HH: hex head

HHF: hex head flange

HHFTF: hex head flange thread forming

HJ: hex jam

HLH: hex lag head

HOC: height-of-cut

HP: high pressure

HSBH: hex socket button head

HSFH: hex socket flat head

HSH: hex socket head

HWH: hex washer head

HWHTF: hex washer head thread forming

HYD: hydraulic

LH: left hand

LP: low pressure

LPG: Liquefied Petroleum Gas

NI: nylon insert

NPTF: national pipe thread fine

PFH: phillips flat head

PPH: phillips pan head

PPHTF: phillips pan head thread forming

PRH: phillips round head

PTH: phillips truss head

PTO: power-take-off

RH: right hand

ROPS: roll-over protection system

RRB: rear roller brush

SFH: slotted fillister head

SHH: slotted hex head

SHWH: slotted hex washer head

SPH: slotted pan head

SQH: square head

SRH: slotted round head

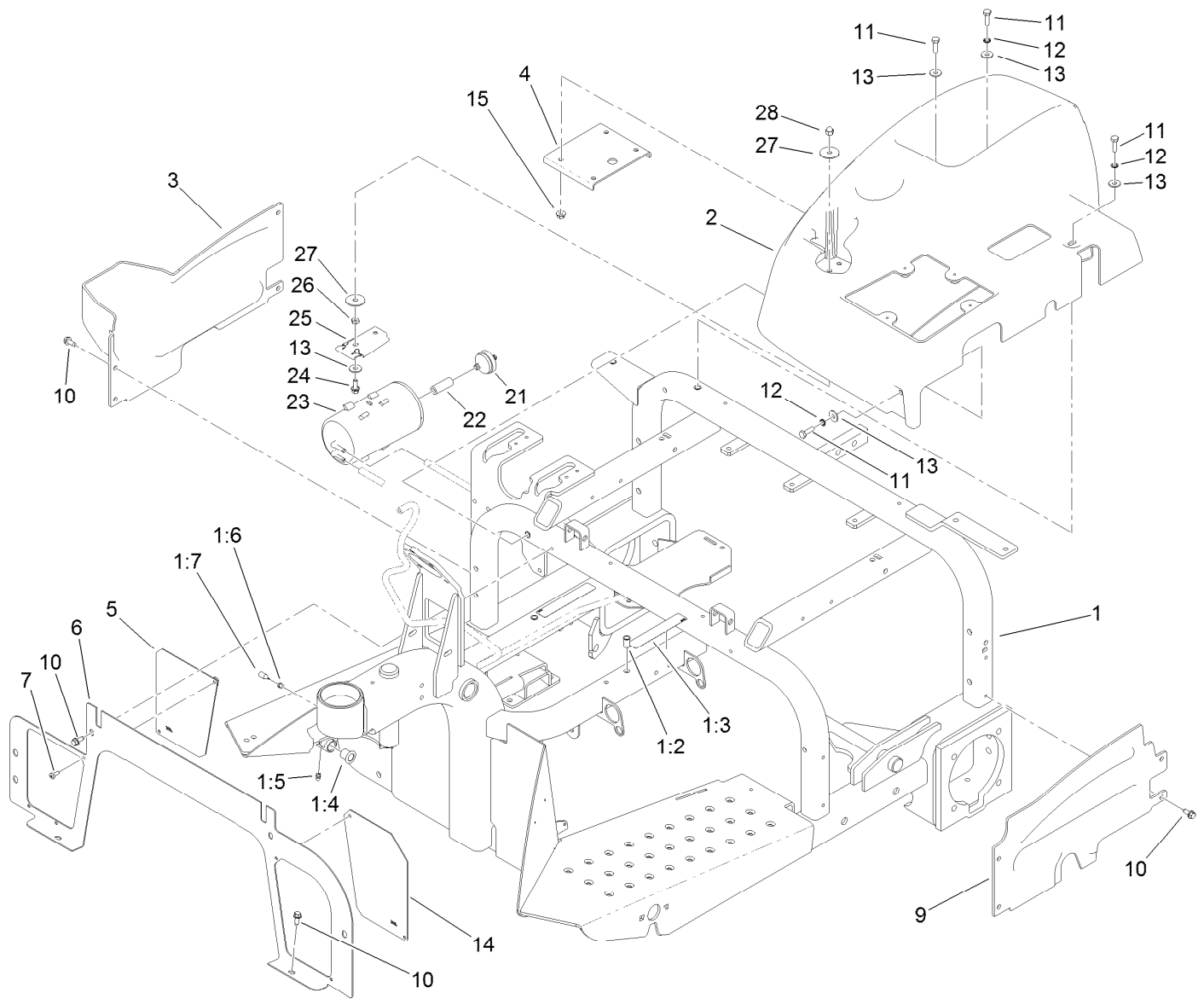
STD: standard

TAP: self tapping

TTH: torx truss head

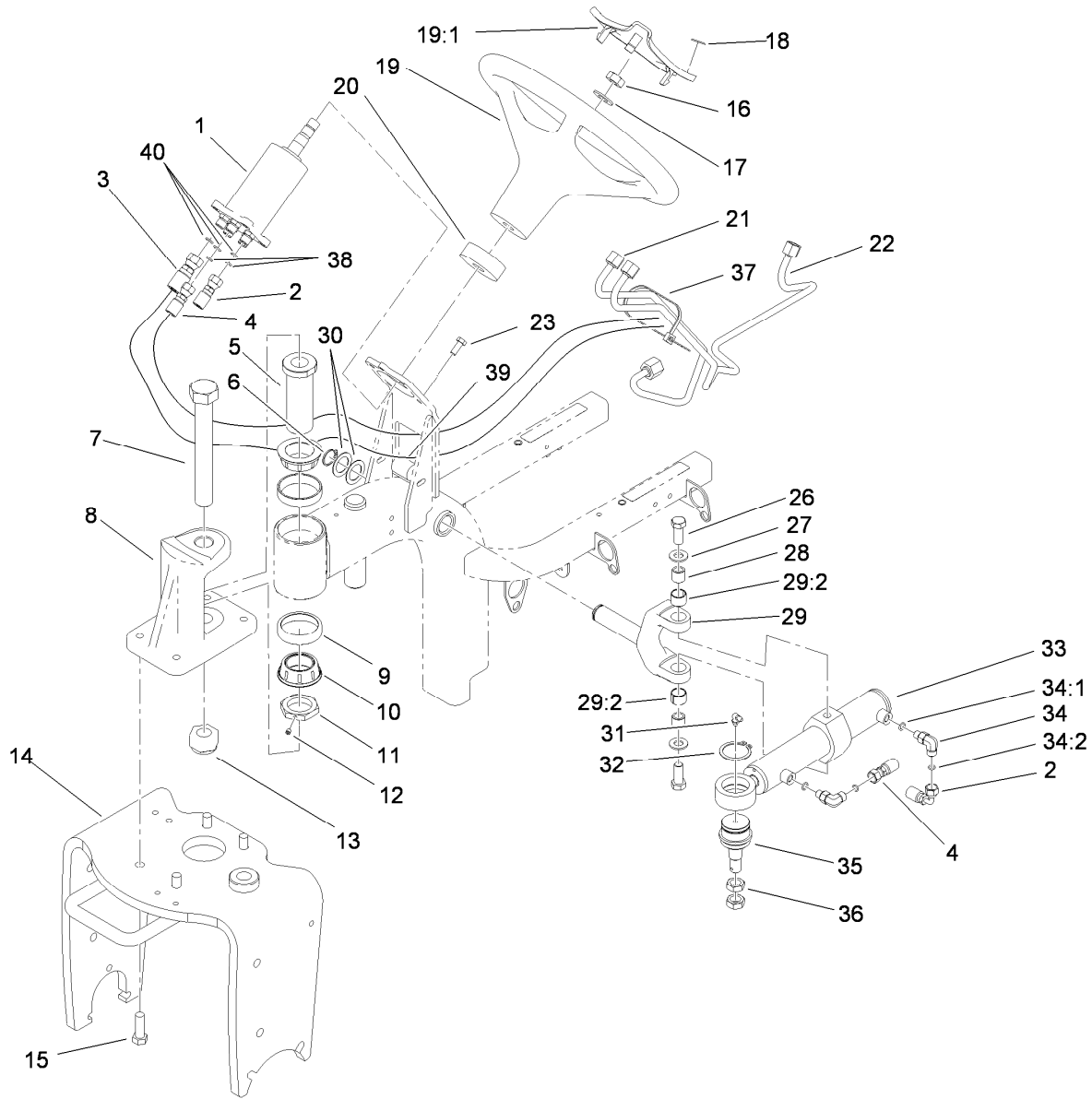
Contents

Frame and Console Assembly	4
Steering Assembly	5
Steering Valve Assembly No. 108-2924	6
Hydraulic Cylinder Assembly No. 114-0620	7
Fuel Tank and Battery Assembly	8
Front Wheel Assembly	10
Hydraulic Motor Assembly No. 108-2948	11
Rear Wheel Assembly	12
Hydraulic Motor Assembly No. 108-2949	13
Hydraulic Motor Assembly No. 108-2947	14
Traction Pedal Assembly	15
Pump Control Lever Assembly	16
Engine Installation Assembly	17
Pump and Coupling Assembly	18
Variable Piston Pump Assembly No. 132-4350	20
Hydraulic Tank, Filter and Cooler Assembly	22
Lift Valve and Rear Tube Assembly	24
Seat and Shroud Assembly	26
Wire Harness, Air Cleaner and Hose Assembly	27
Air Cleaner Assembly No. 93-2190	28
Rear Hitch Assembly	29
Hydraulic Lift Cylinder Assembly No. 115-5647	30
Attachments and Accessories	31



Frame and Console Assembly

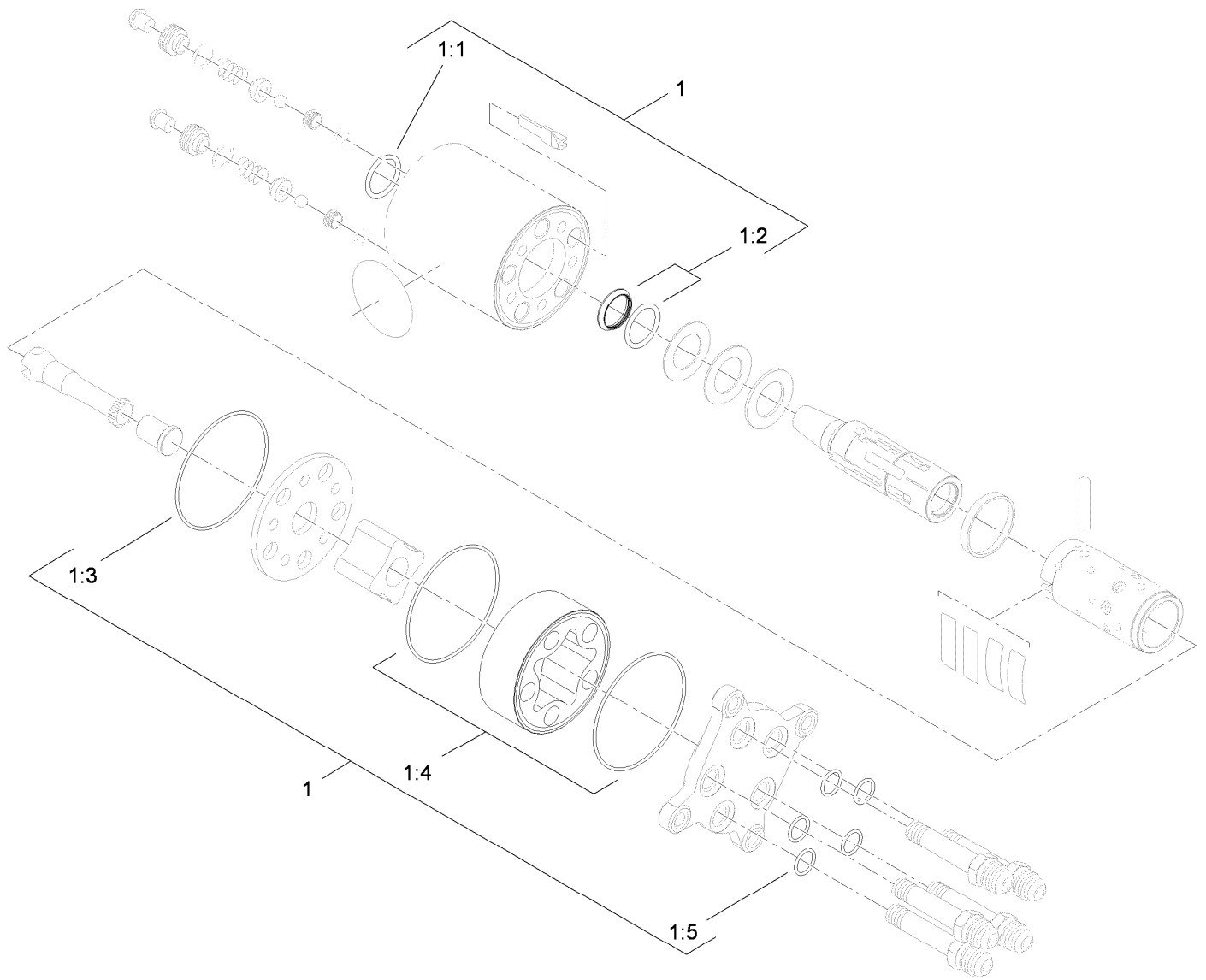
<i>Ref.</i>	<i>Part Number</i>	<i>Qty.</i>	<i>Description</i>	<i>Ref.</i>	<i>Part Number</i>	<i>Qty.</i>	<i>Description</i>
1	110-3367	1	Frame ASM	10	32144-10	12	Screw-HWH
1:2	32148-11	5	Insert-Threaded	11	321-5	7	Screw-HH
1:3	93-7272	2	Decal-Warning	12	3254-8	3	Washer-Lock
1:4	256-219	2	Bushing	13	3256-78	8	Washer-Flat
1:5	302-58	1	Fitting-Straight	14	120-3491-01	1	Screen-Panel, LH
1:6	107-1997	1	Fitting-Grease	15	32128-33	4	Nut-HF
1:7	107-1998	1	Nozzle-Grease	21	115-7854	1	Filter-Fuel, Inline
2	108-2936	1	Console	22	106-5317	1	Hose-Fuel
3	108-6855	1	Shroud-Wheel, RH	23	127-8685	1	Canister-Carbon
4	108-7995-03	1	Plate-Support, Console	24	3234-33	1	Screw-HHF
5	120-3492-01	1	Screen-Panel, RH	25	114-0292	1	Bracket-Canister, Carbon
6	112-1443-01	1	Panel-Front	26	3218-1	1	Nut-Jam
7	3250-14	4	Screw-PPH	27	3256-57	2	Washer-Flat
9	108-6856	1	Shroud-Wheel, LH	28	32111-7	1	Nut-Cap



Steering Assembly

Ref.	Part Number	Qty.	Description
1	108-2924	1	Valve-Steering
2	105-4347	1	HYD Hose ASM
3	93-5385	1	Hose ASM
4	108-6508	1	Hose ASM
5	108-8470	1	Sleeve-Steering
6	32151-36	1	Ring-Retaining
7	3216-16	1	Screw-HH
8	108-5431	1	Pivot-Steering
9	107-7590	2	Cup-Bearing
10	107-7589	2	Cone-Bearing (W/ Seal)
11	108-8471	1	Nut-Steering
12	3245-1	1	Screw-Set, HSH
13	104-2024	1	Nut-Hex, NI
14	108-0573-01	1	Castor Fork ASM
15	325-6	4	Screw-HH
16	3296-33	1	Nut-Lock, NI
17	3256-27	1	Washer-Flat
18	98-1459	1	Decal
19	98-1471	1	Wheel-Steering
19:1	98-1468	1	Cover-Wheel, Steering
20	108-7998	1	Collar-Foam

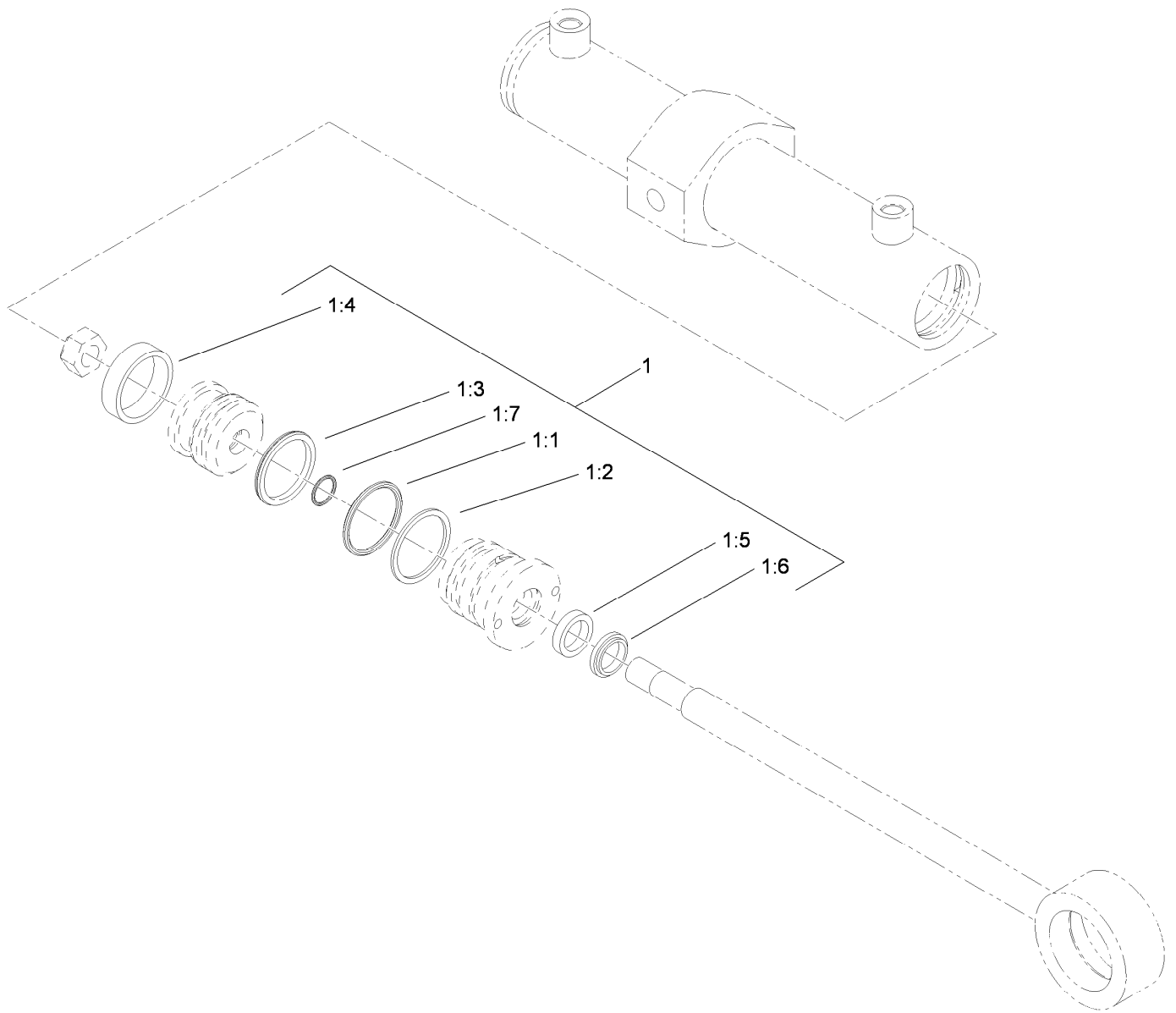
Ref.	Part Number	Qty.	Description
21	108-8414	1	Tube ASM
22	108-8415	1	Tube ASM
23	33114-020	4	Screw-HH
26	94-7976	2	Screw-HH
27	3256-26	2	Washer-Flat
28	108-8483	2	Spacer-Plain
29	108-8481	1	Yoke And Bushing ASM
29:2	108-8482	2	Bushing-Sleeve
30	1-543436	2	Washer-Spacer
31	302-40	1	Fitting-Grease, 90 DEG
32	32151-104	1	Ring-Retaining, External
33	114-0620	1	Hydraulic Cylinder ASM
34	340-132	2	Fitting-HYD, 90 DEG
34:1	237-78	1	O-Ring
34:2	237-21	1	O-Ring
35	106-6774	1	Joint-Ball
36	3220-6	2	Nut-Jam
37	3290-379	1	Tie-Cable
38	237-21	2	O-Ring
39	38-3400	2	Guard-Rubber
40	237-22	3	O-Ring



Steering Valve Assembly No. 108-2924

<i>Ref.</i>	<i>Part Number</i>	<i>Qty.</i>	<i>Description</i>
1	106-6716	1	Seal Kit
1:1		1	Ring-Seal, Dust ●
1:2		1	Seal-Shaft ●
1:3		1	O-Ring ●
1:4		2	O-Ring ●
1:5		5	O-Ring ●

● Not serviced separately

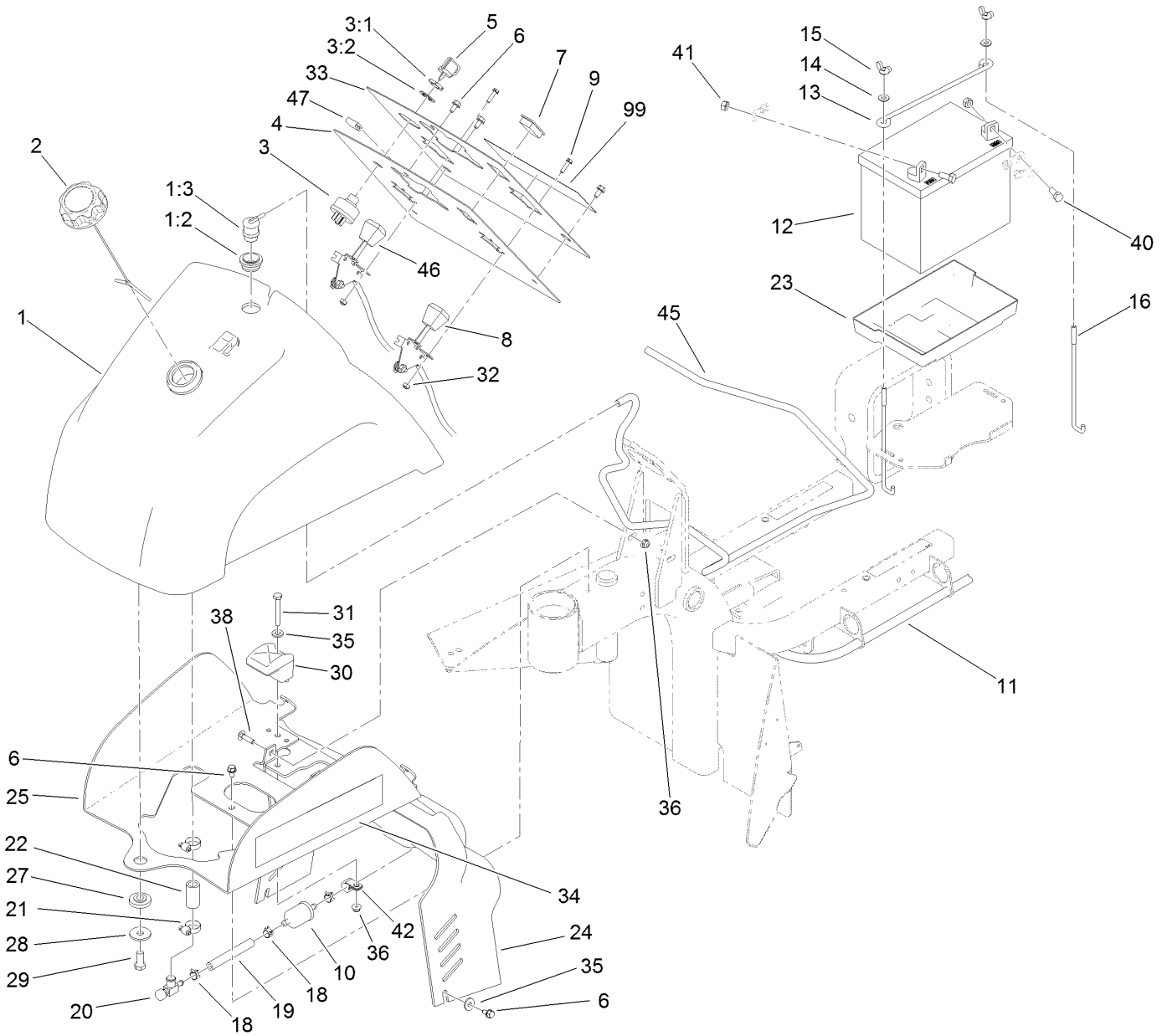


Hydraulic Cylinder Assembly No. 114-0620

<i>Ref.</i>	<i>Part Number</i>	<i>Qty.</i>	<i>Description</i>
1	114-0622	1	Seal Kit
1:1		1	O-Ring ●
1:2		1	Backup ●
1:3		1	Bp Seal ●
1:4		1	Wear Ring ●
1:5		1	Bs Seal ●
1:6		1	Dust Seal ●
1:7		1	O-Ring ●

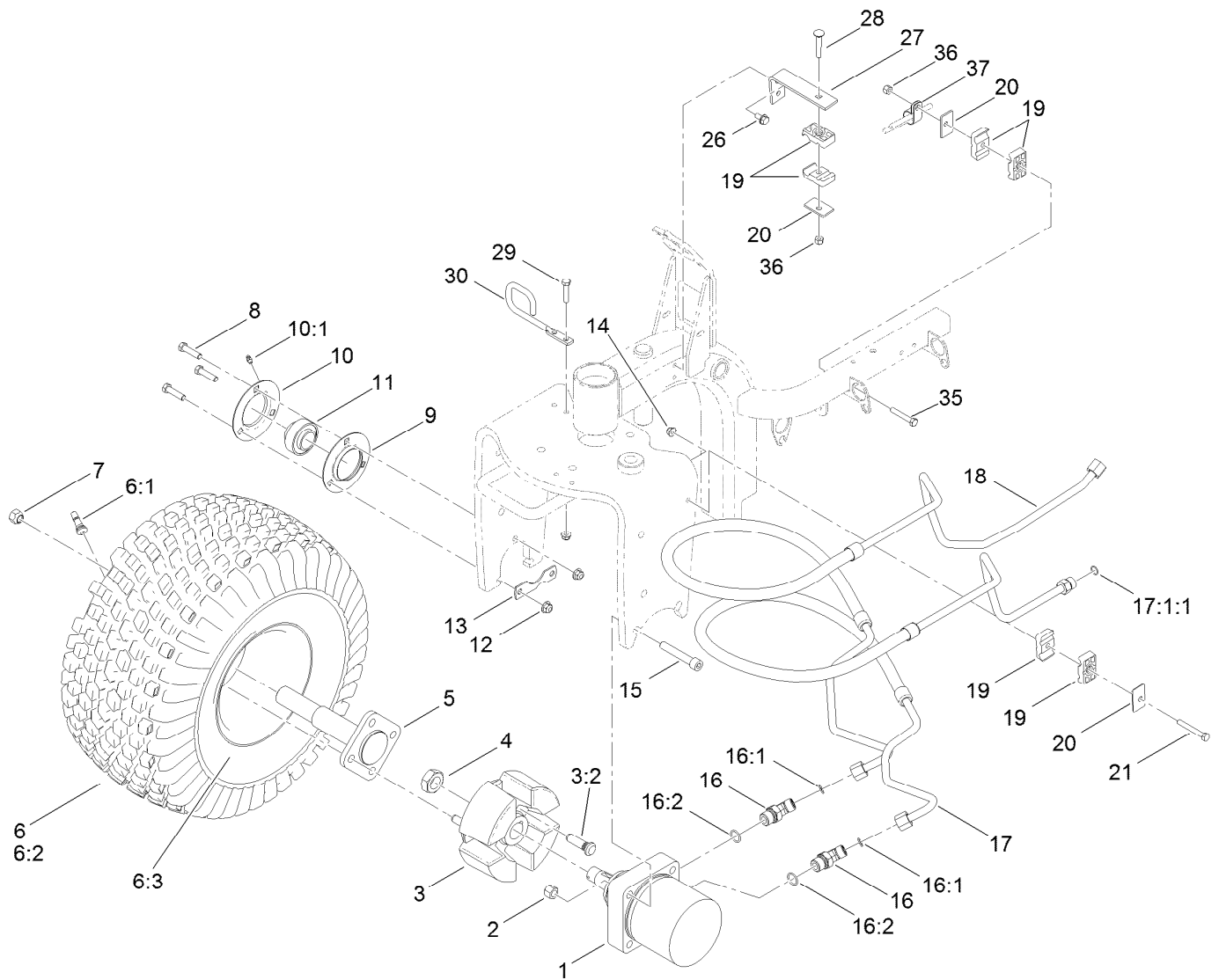
● Not serviced separately

Fuel Tank and Battery Assembly



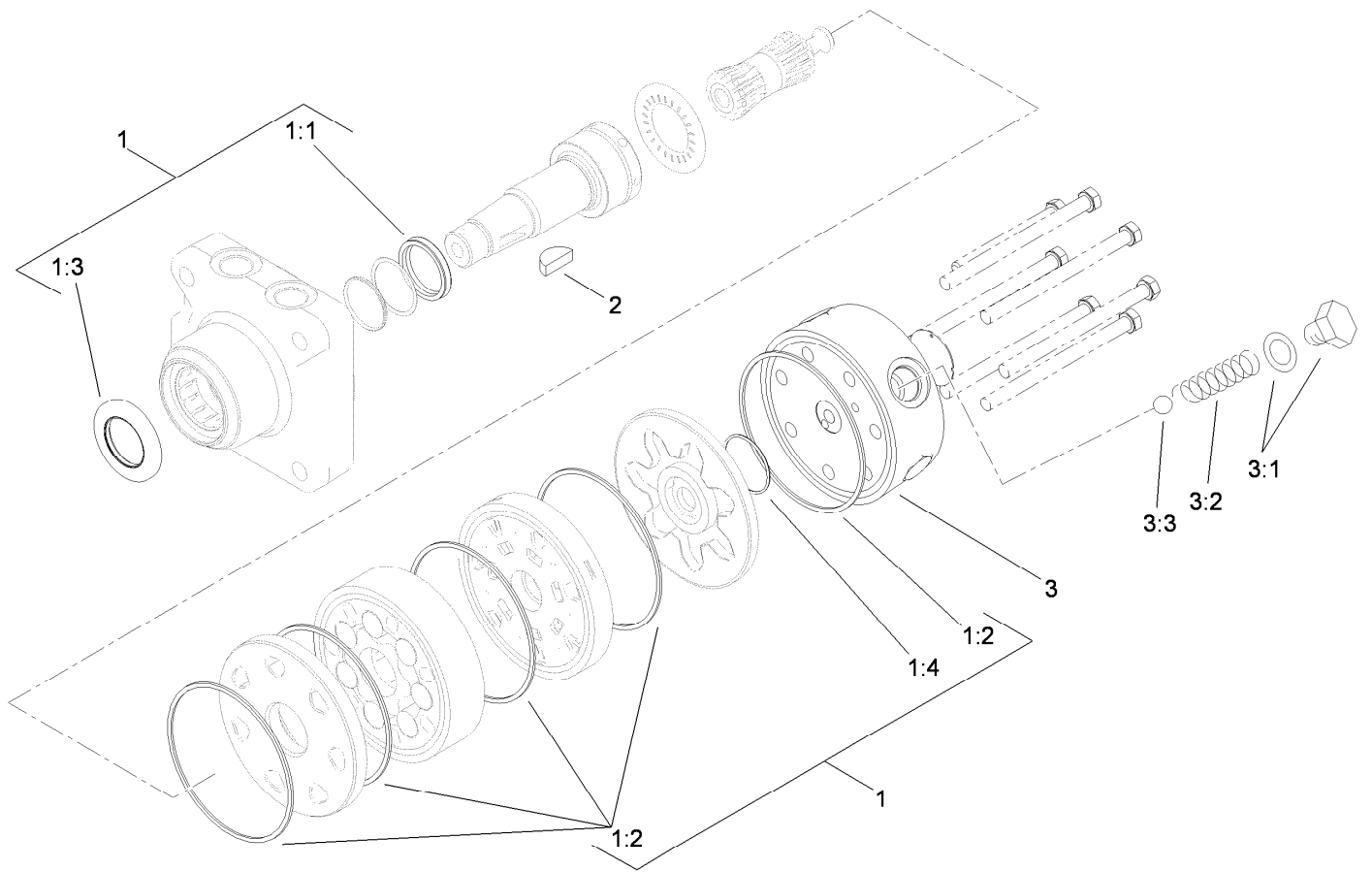
Fuel Tank and Battery Assembly (continued)

<i>Ref.</i>	<i>Part Number</i>	<i>Qty.</i>	<i>Description</i>	<i>Ref.</i>	<i>Part Number</i>	<i>Qty.</i>	<i>Description</i>
1	119-2496	1	Fuel Tank ASM	21	2412-36	2	Clamp-Hose
1:2	114-0284	1	Grommet	22	110-3371	1	Hose-Fuel
1:3	114-0285	1	Valve-Rollover	23	106948	1	Tray-Battery
2	126-1789	1	Cap-Fuel, Ratcheting	24	108-6898	1	Shroud-Dash
3	83-0020	1	Switch-Ignition	25	108-6895-01	1	Bracket-Mount, Tank
3:1	218-461	1	Nut-HH	27	240-11	1	Bushing-Flange
3:2	3254-5	1	Washer-Tooth, Internal	28	63-8410	1	Washer
4	108-6896-03	1	Panel-Dash	29	323-5	1	Screw-HH
5	63-8360	2	Key-Ignition	30	107-4543	2	Clamp
6	32144-10	6	Screw-HWH	31	321-18	2	Screw-HH
7	99-7420	1	Plug-Hole	32	3296-2	4	Nut-Lock, NI
8	119-7188	1	Throttle Cable ASM	33	119-2483	1	Decal-Dash
9	3290-321	4	Screw-HWH	34	108-8419	2	Decal
10	94-2690	1	Filter-Fuel	35	3256-78	4	Washer-Flat
11	110-3372	1	Hose-Fuel	36	104-7201	4	Nut-Flange, NI
12	104-8162	1	Battery-Dry	38	3229-1	2	Bolt-CARR
13	100-6434	1	Rod-Hold Down, Battery	40	322-3	2	Screw-HH
14	3256-22	2	Washer-Flat	41	3217-6	2	Nut-Hex
15	32103-22	2	Nut-Wing	42	92-6064	1	Clamp-R
16	100-6435	2	Post-Battery	45	117-9568	1	Hose-Vent, Tank
18	2412-98	4	Clamp-Hose	46	119-7178	1	Choke Cable ASM
19	109-0660	1	Hose-Fuel	47	119-2494	1	Seal-Strip
20	83-1390	1	Valve-Shut-Off, Fuel	99	119-2484	1	Decal-Dash, C E



Front Wheel Assembly

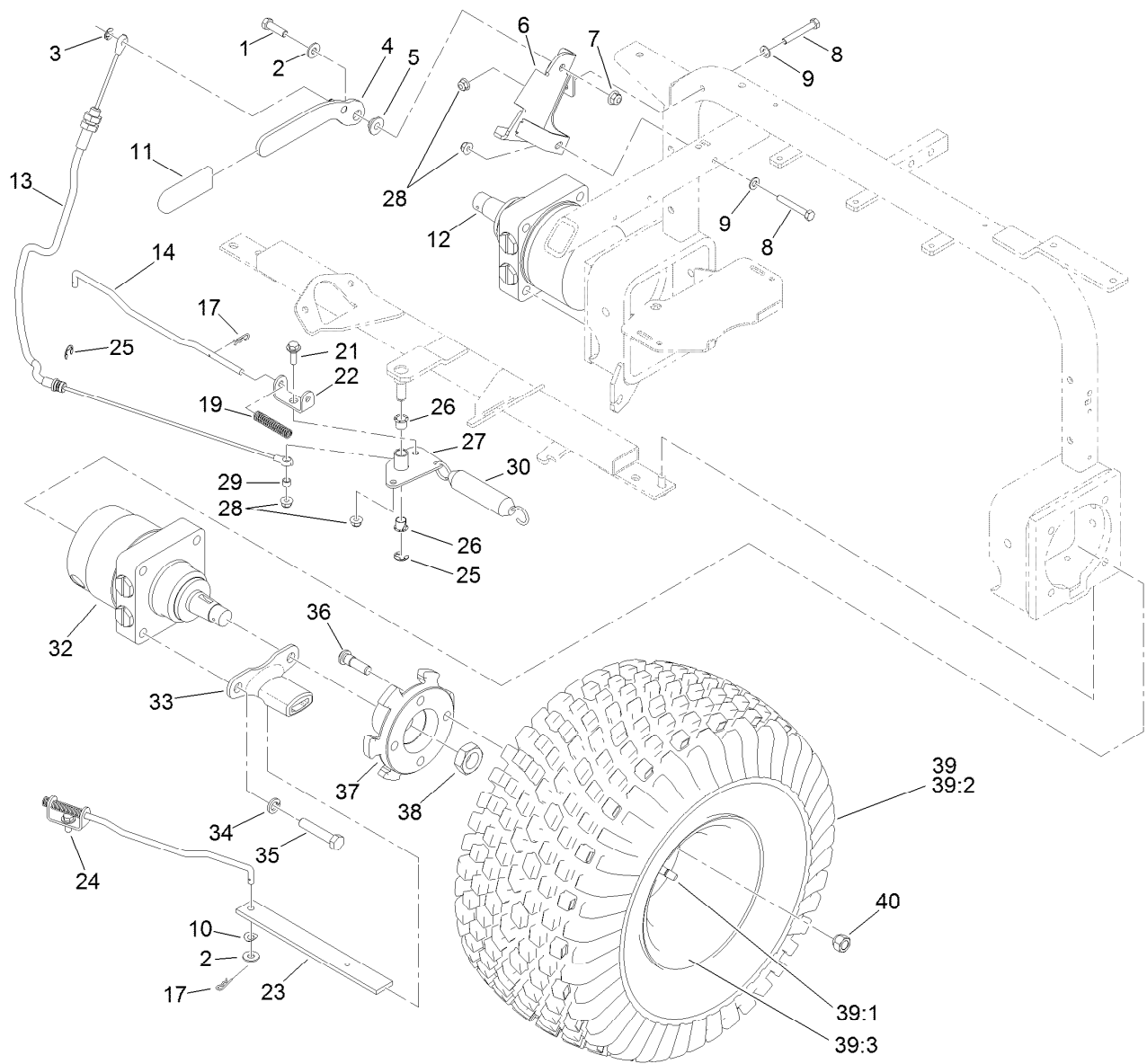
Ref.	Part Number	Qty.	Description	Ref.	Part Number	Qty.	Description
1	108-2948	1	HYD Motor ASM (CW)	15	3274-74	2	Screw-HSH
2	3296-23	2	Nut-Lock, NI	16	340-89	2	Fitting-HYD, 45 DEG
3	110-6310	1	Front Wheel Hub ASM	16:1	237-30	1	O-Ring
3:2	10-6830	4	Stud-Type, Drive	16:2	237-80	1	O-Ring
4	26-3790	1	Nut-Lock	17	119-6747	1	HYD Hose ASM
5	110-6314	1	Spindle	17:1:1	237-30	1	O-Ring
6	95-0621	1	Wheel And Tire ASM	18	119-6742	1	HYD Hose ASM
6:1	5108	1	Valve	19	56-7976	6	Clamp-Tube
6:2	85-8290	1	Tire-2Ply, Knobby	20	69-9760	3	Coverplate
6:3	94-6116	1	Wheel-Rear	21	322-12	1	Screw-HH
7	242-50	4	Nut-Lug	26	32144-14	2	Screw-HWHTF
8	323-8	3	Screw-HH	27	108-8455-01	1	Bracket-Clamp
9	85-8950	1	Flangette-Standard	28	3230-6	1	Screw-CARR
10	85-8940	1	Flangette-Relube	29	322-7	2	Screw-HH
10:1	302-5	1	Fitting-Grease	30	130-7873	1	Guide-Hose
11	251-352	1	Bearing	35	322-10	1	Screw-HH
12	104-8301	3	Nut-Flange, NI	36	3296-29	2	Nut-Lock, NI
13	88-8350	1	Tab-Bearing	37	2412-41	1	Clamp
14	104-8300	3	Nut-Flange, NI				



Hydraulic Motor Assembly No. 108-2948

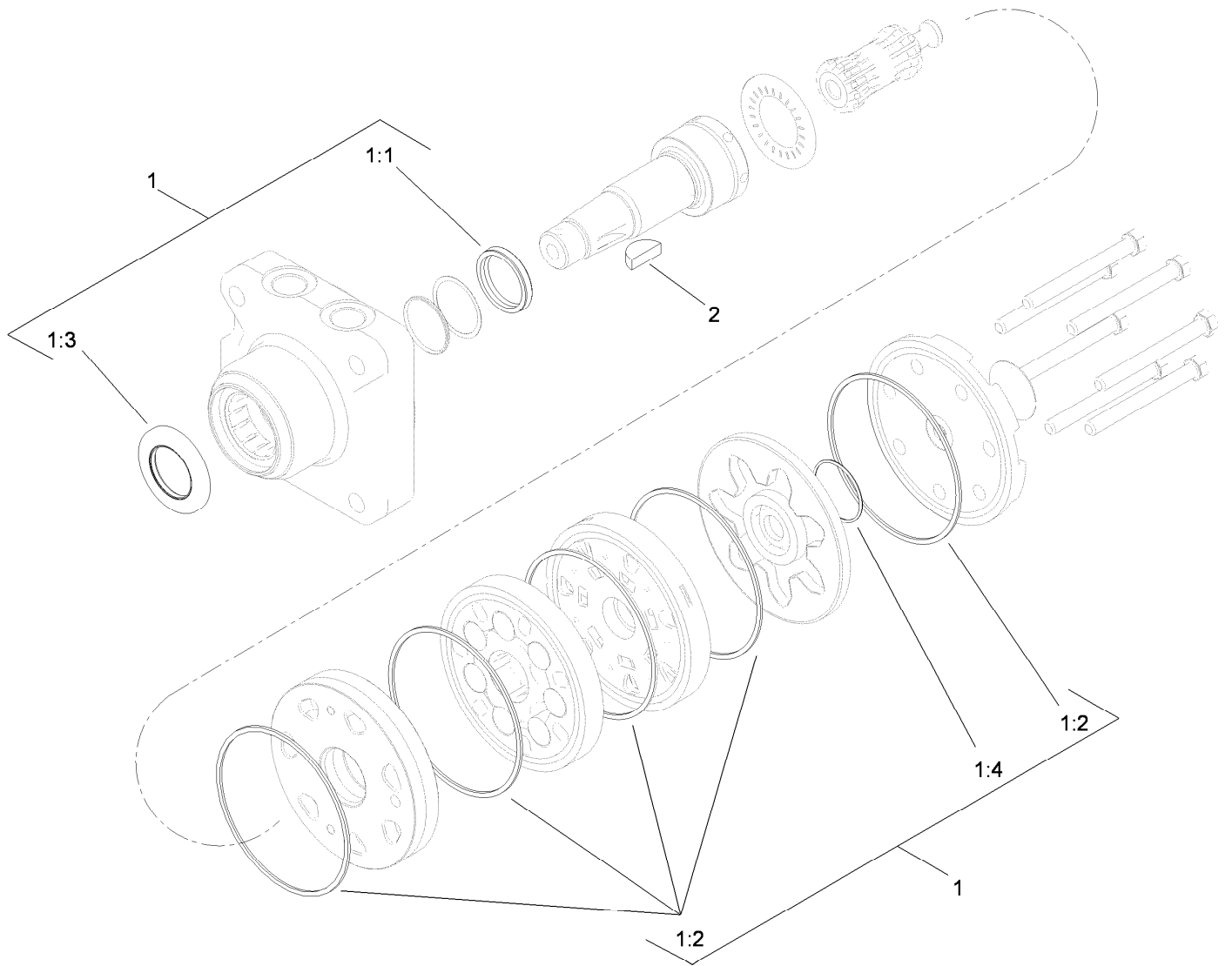
Ref.	Part Number	Qty.	Description
1	110-6459	1	Seal Kit
1:1		1	Seal-Shaft ●
1:2		5	Seal-Body ●
1:3		1	Seal-Dirt / Water ●
1:4		1	Seal-Commutator ●
2	3257-42	1	Key-Woodruff
3	99-3538	1	End Cover ASM
3:1		1	Spring Cap And O-Ring ASM ●
3:2	99-3541	1	Spring
3:3	99-3540	1	Ball

● Not serviced separately



Rear Wheel Assembly

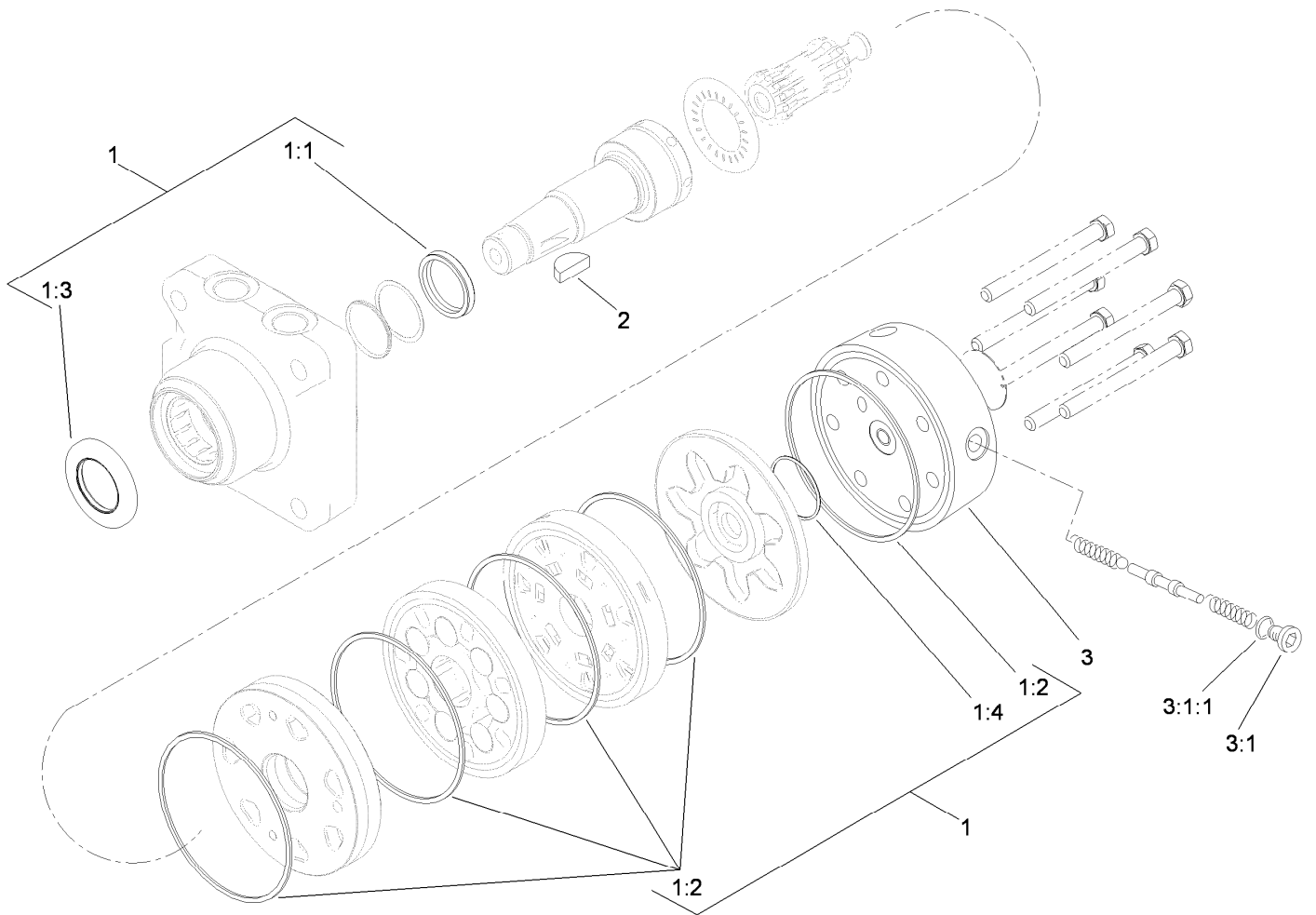
Ref.	Part Number	Qty.	Description	Ref.	Part Number	Qty.	Description
1	323-7	1	Screw-HH	24	19-1470	1	Screw-Shoulder
2	3256-3	3	Washer-Flat	25	32120-47	2	Ring-Retaining, External
3	32151-47	1	Ring-Retaining	26	256-257	2	Bushing-Nyliner
4	108-7991-03	1	Lever-Brake	27	108-7979-03	1	Bellcrank
5	108-7994	1	Bushing-Pivot, Lever	28	104-8300	4	Nut-Flange, NI
6	121-2520	1	Brake Lever Bracket ASM	29	108-7983	1	Bushing-Cable
7	104-8301	1	Nut-Flange, NI	30	66-4270	1	Spring-Extension
8	322-11	2	Screw-HH	32	108-2947	1	HYD Motor ASM (CCW)
9	3256-23	2	Washer-Flat	33	125-1967	2	Bracket-Brake, Park
10	121-4605	2	Washer-Spring	34	3253-7	8	Washer-Lock
11	21-1880	1	Grip-Handle	35	325-10	8	Screw-HH
12	108-2949	1	HYD Motor ASM (CW)	36	85-6540	8	Stud-Drive
13	108-7913	1	Cable-Brake, Park	37	108-7977-03	2	Hub-Wheel
14	108-7987	2	Link-Latch, Parking	38	26-3790	2	Nut-Lock
17	3290-307	4	Pin-Cotter	39	95-0621	2	Wheel And Tire ASM
19	107-3376	2	Spring-Compression	39:1	5108	1	Valve
21	19-1471	1	Screw-Shoulder	39:2	85-8290	1	Tire-2Ply, Knobby
22	114-0631	2	Clevis-Latch, Parking	39:3	94-6116	1	Wheel-Rear
23	108-7986-03	2	Bar-Brake	40	242-50	8	Nut-Lug



Hydraulic Motor Assembly No. 108-2949

<i>Ref.</i>	<i>Part Number</i>	<i>Qty.</i>	<i>Description</i>
1	110-6459	1	Seal Kit
1:1		1	Seal-Shaft ●
1:2		5	Seal-Body ●
1:3		1	Seal-Dirt / Water ●
1:4		1	Seal-Commutator ●
2	3257-42	1	Key-Woodruff

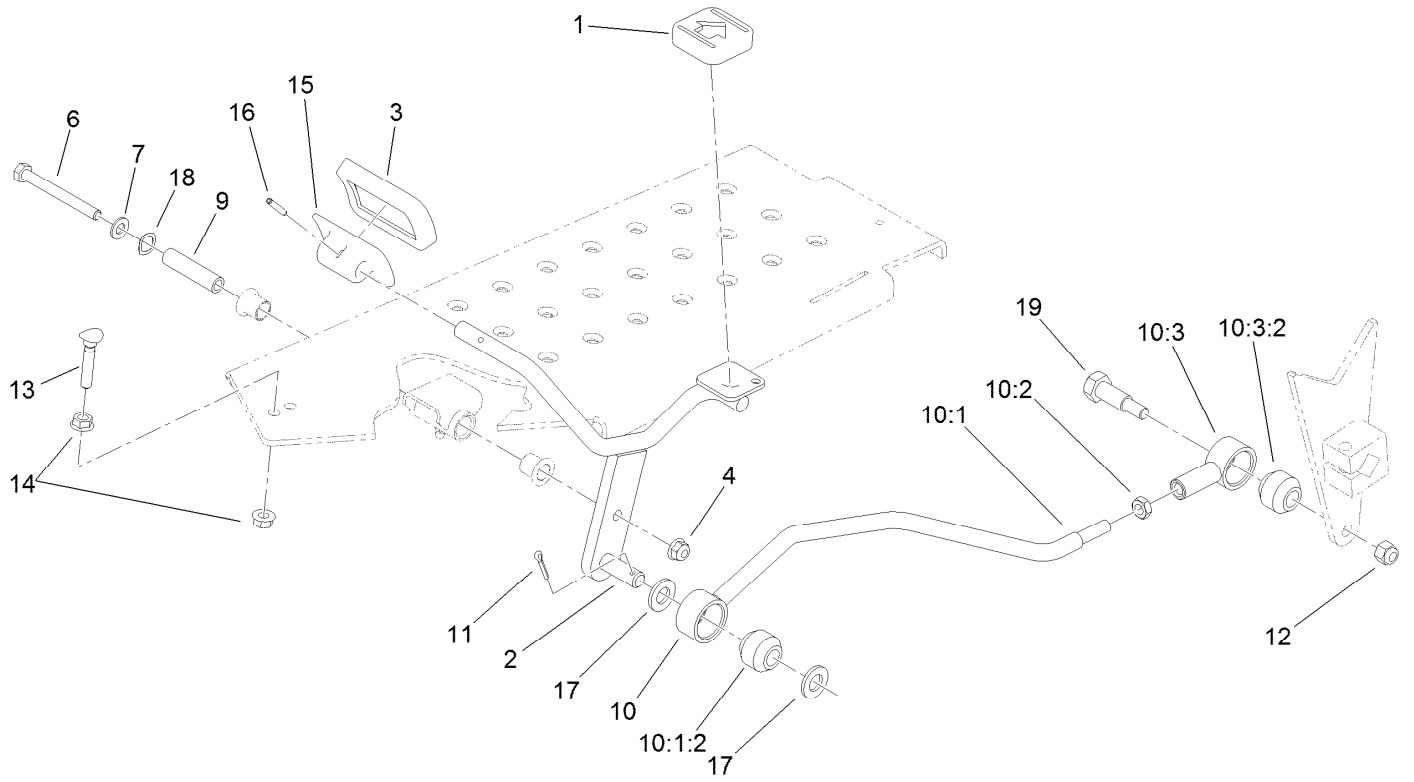
● Not serviced separately



Hydraulic Motor Assembly No. 108-2947

Ref.	Part Number	Qty.	Description
1	110-6459	1	Seal Kit
1:1		1	Seal-Shaft ●
1:2		5	Seal-Body ●
1:3		1	Seal-Dirt / Water ●
1:4		1	Seal-Commutator ●
2	3257-42	1	Key-Woodruff
3	110-3381	1	End Cover ASM
3:1	353-990	1	Plug ASM
3:1:1	237-78	1	O-Ring

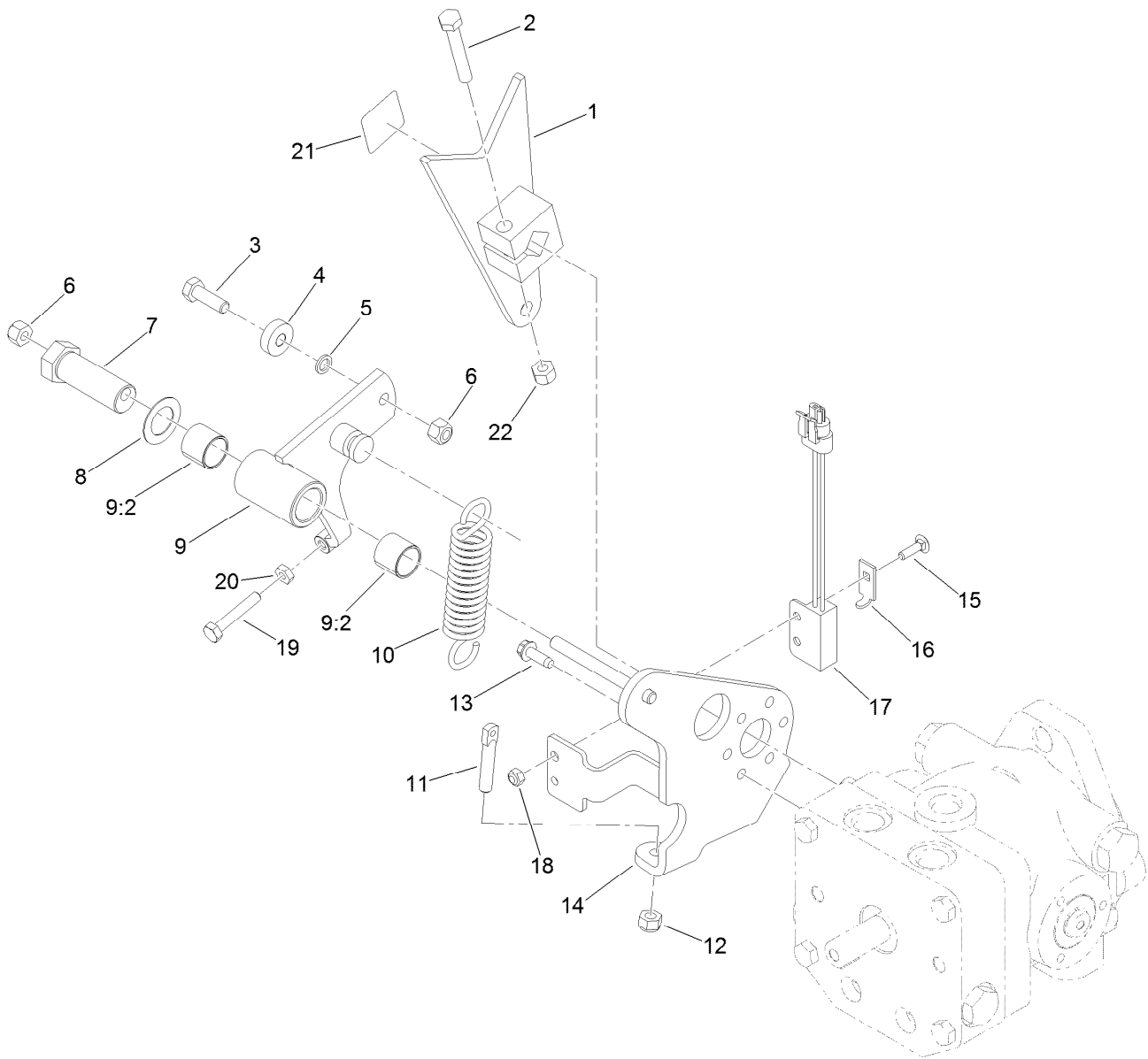
● Not serviced separately



Traction Pedal Assembly

Ref.	Part Number	Qty.	Description	Ref.	Part Number	Qty.	Description
1	74-9110	1	Pad-Pedal, Reverse	10:3	115-5623	1	Isolated Rod End ASM
2	108-5498-01	1	Pedal	10:3:2	23-2270	1	Bushing-Rubber
3	74-9100	1	Pad-Pedal, Forward	11	3272-10	1	Pin-Cotter
4	104-8300	1	Nut-Flange, NI	12	3296-39	1	Nut-Lock, NI
6	322-14	1	Screw-HH	13	17-9420	1	Screw-Handle
7	3256-23	1	Washer-Flat	14	32128-20	2	Nut-HF
9	85-8960	1	Spacer	15	117-9507	1	Pedal-Accelerator
10		1	Traction Rod ASM ●	16	32121-45	1	Pin-Spring
10:1	115-5626	1	Rod ASM	17	106-9888	2	Washer-Flat
10:1:2	23-2270	1	Bushing-Rubber	18	108473	1	Washer-Wave
10:2	3220-3	1	Nut-HJ	19	117-4698	1	Screw-Shoulder, HH

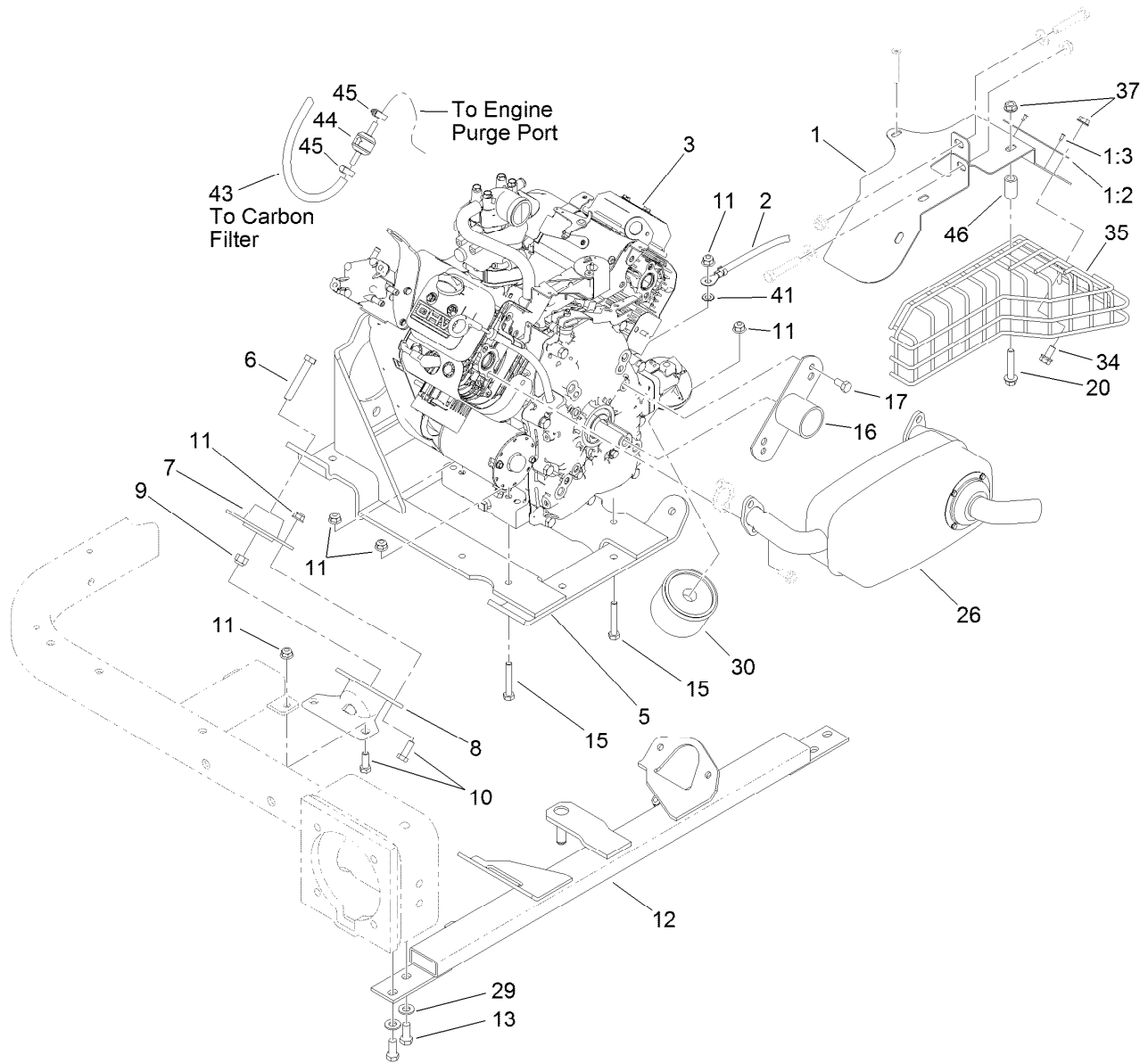
● Not serviced separately



Pump Control Lever Assembly

Ref.	Part Number	Qty.	Description
1	112-6458-03	1	Lever-Pump
2	323-11	1	Screw-HH
3	322-5	1	Screw-HH
4	251-307	1	Bearing-Ball
5	75-5470	1	Spacer-Bearing
6	3296-29	2	Nut-Lock, NI
7	76-8640	1	Stud-Traction
8	3-6498	1	Washer-Thrust
9	130-7832	1	Arm ASM
9:2	94-9609	2	Bushing-Straight
10	85-9030	1	Spring-Extension
11	18-6380	1	Pin-Adjustment, Steering

Ref.	Part Number	Qty.	Description
12	3296-4	1	Nut-Lock
13	49-2040	3	Screw-HWHTF
14	108-5490-03	1	Plate-Pump
15	3229-20	1	Screw-CARR
16	100-4872	1	Plate-Switch, Neutral
17	105-0023	1	Switch-Proximity
18	3296-2	1	Nut-Lock, NI
19	321-43	1	Capscrew
20	3218-1	1	Nut-Jam
21	93-9051	1	Decal-Bolt, Eccentric
22	3296-39	1	Nut-Lock, NI

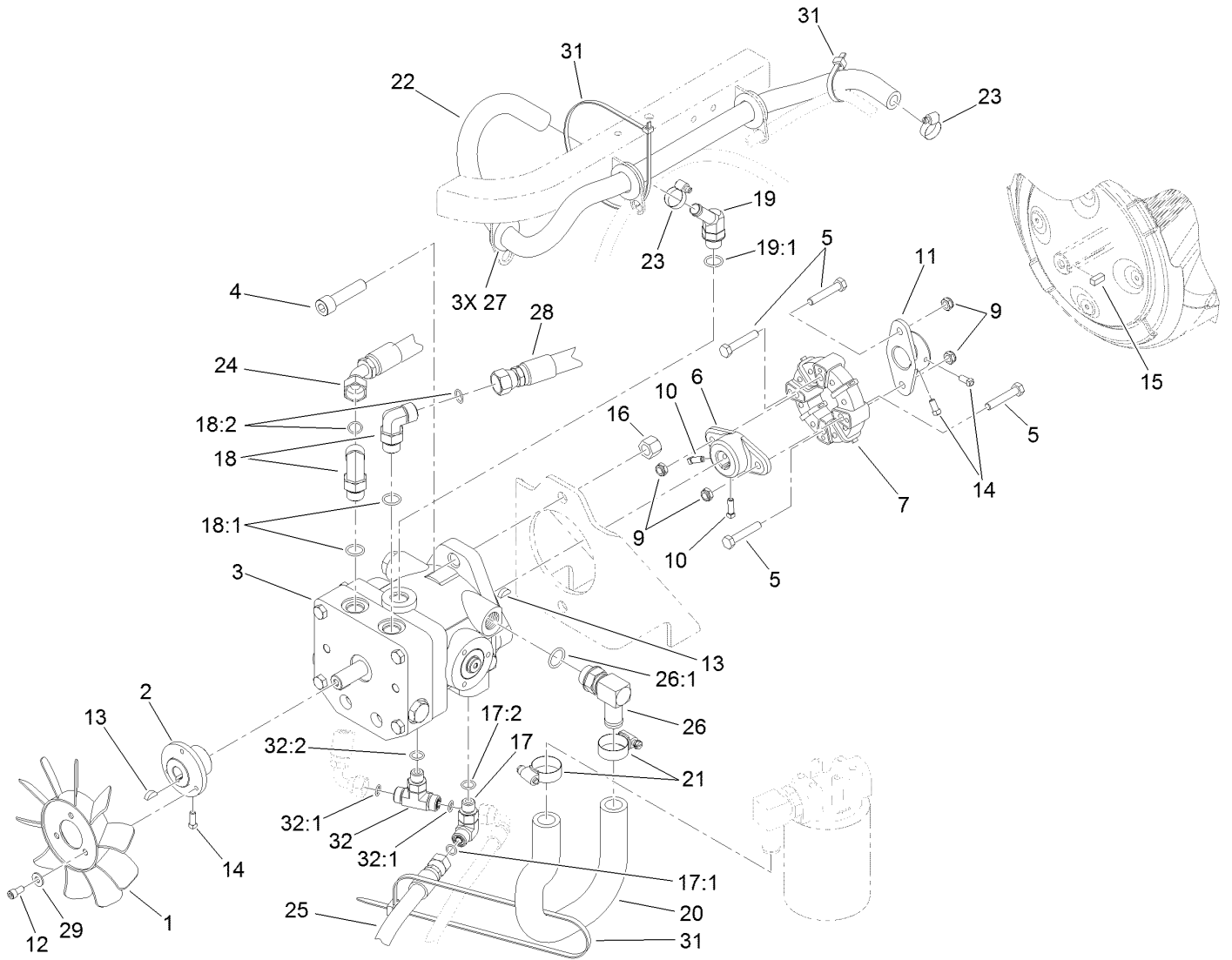


Engine Installation Assembly

Ref.	Part Number	Qty.	Description	Ref.	Part Number	Qty.	Description
1	119-7191	1	Muffler Shield ASM	15	322-10	4	Screw-HH
1:2	95-0645	1	Plate-Surface, Hot	16	95-0632-03	1	Cover
1:3	3269-32	2	Rivet-Pop	17	3210-2	2	Screw-HH
2	54-3093	1	Cable-Battery, Negative	20	94-5780	2	Screw-HWH
3	120-3403	1	Engine-Briggs, 356447-0304-G2 Gas	26	120-3476	1	Muffler-Dual Inlet
			●	29	3256-24	4	Washer-Flat
5	108-2809-03	1	Support-Engine	30	107-7817	1	Filter-Oil, Engine
6	323-11	4	Screw-HH	34	3234-14	2	Screw-HHF
7	121-9076	4	Mount-Engine	35	110-6348-03	1	Shield-Exhaust
8	125-1954	2	Mount-Front	37	32128-25	4	Nut-HF
9	104-8301	4	Nut-Flange, NI	41	3255-8	1	Washer-Lock
10	322-4	12	Screw-HH	43	117-9569	1	Hose-Fuel
11	104-8300	16	Nut-Flange, NI	44	115-7868	1	Valve-Check, Vacuum
12	120-3461-01	1	Mount-Engine	45	2412-108	2	Clamp-Worm
13	323-5	4	Screw-HH	46	59-2580	2	Spacer-Tubular

● Obtain parts from www.briggsandstratton.com

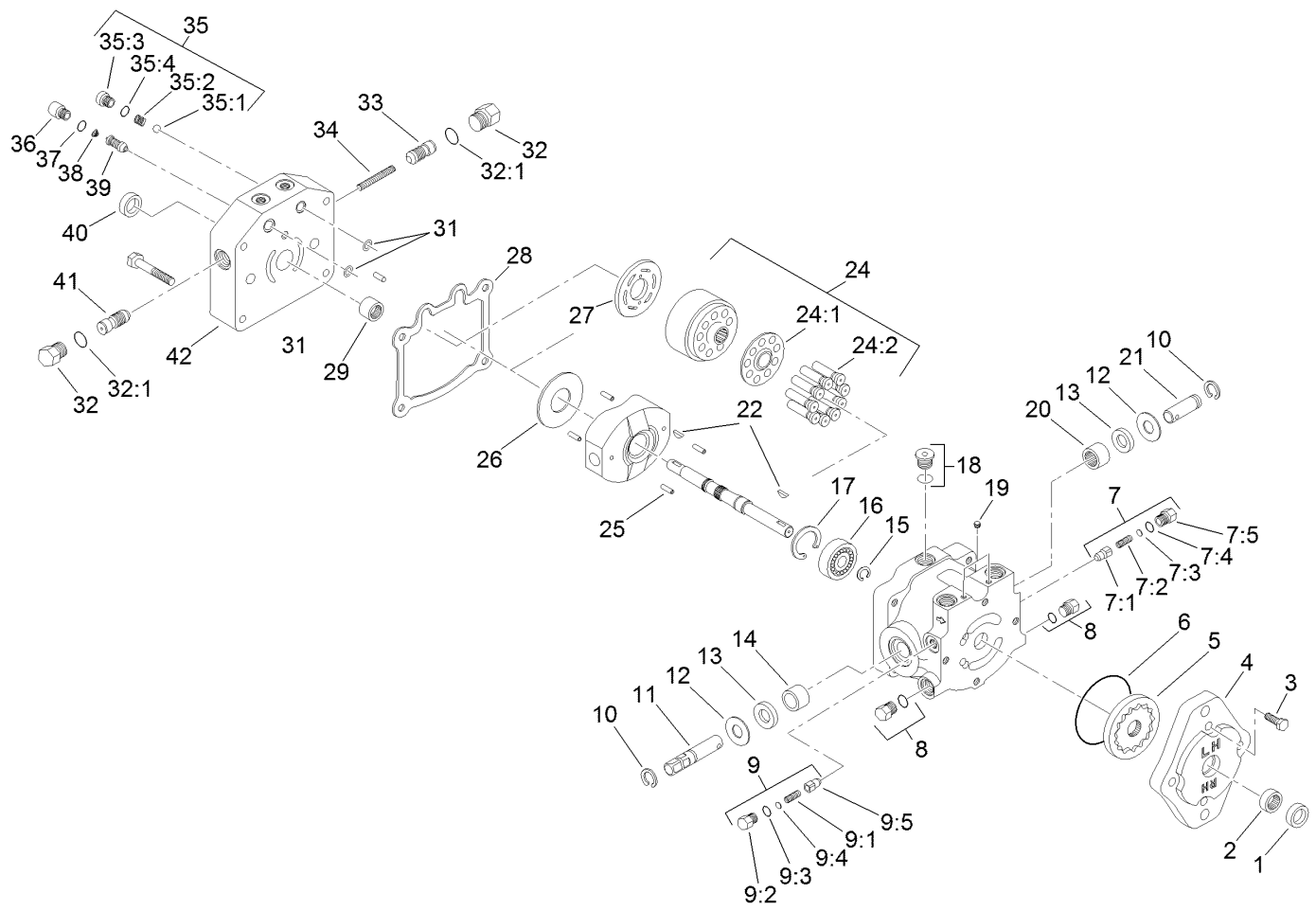
Pump and Coupling Assembly



Pump and Coupling Assembly (continued)

<i>Ref.</i>	<i>Part Number</i>	<i>Qty.</i>	<i>Description</i>	<i>Ref.</i>	<i>Part Number</i>	<i>Qty.</i>	<i>Description</i>
1	1-633869	1	Fan-Pump, Cooling	18:1	237-79	1	O-Ring
2	108-5484	1	Hub-Fan	18:2	237-30	1	O-Ring
3	132-4350	1	Pump-Piston, Variable	19	354-126	1	Fitting-HYD, 45 DEG
4	3274-5	2	Screw-HSH	19:1	237-79	1	O-Ring
5	322-9	4	Screw-HH	20	108-5481	1	Hose-Suction
6	110-9695	1	Hub-Pump	21	2412-129	2	Clamp-Hose
7	119-0652	1	Coupler-Rubber	22	110-1325	1	Hose-Return
9	3296-47	4	Nut-Lock, NI	23	2412-36	2	Clamp-Hose
10	3241-6	2	Screw-SQH	24	108-8440	1	Hose ASM
11	110-5236	1	Hub-Engine	25	108-8428	1	HYD Hose ASM
12	3274-52	3	Screw-HSH	26	87-8170	1	Fitting
13	3257-32	2	Key-Woodruff	26:1	237-80	1	O-Ring
14	3241-7	4	Screw-SQH	27	240-4	3	Grommet-Rubber
15	85-9020	1	Key-Square	28	110-1322	1	HYD Hose ASM
16	3296-23	2	Nut-Lock, NI	29	3256-22	3	Washer-Flat
17	340-77	1	Fitting-HYD, 90 DEG	31	3290-379	4	Tie-Cable
17:1	237-22	1	O-Ring	32	340-94	1	Adapter
17:2	237-42	1	O-Ring	32:1	237-22	2	O-Ring
18	340-98	2	Fitting-HYD, 90 DEG	32:2	237-42	1	O-Ring

Variable Piston Pump Assembly No. 132-4350

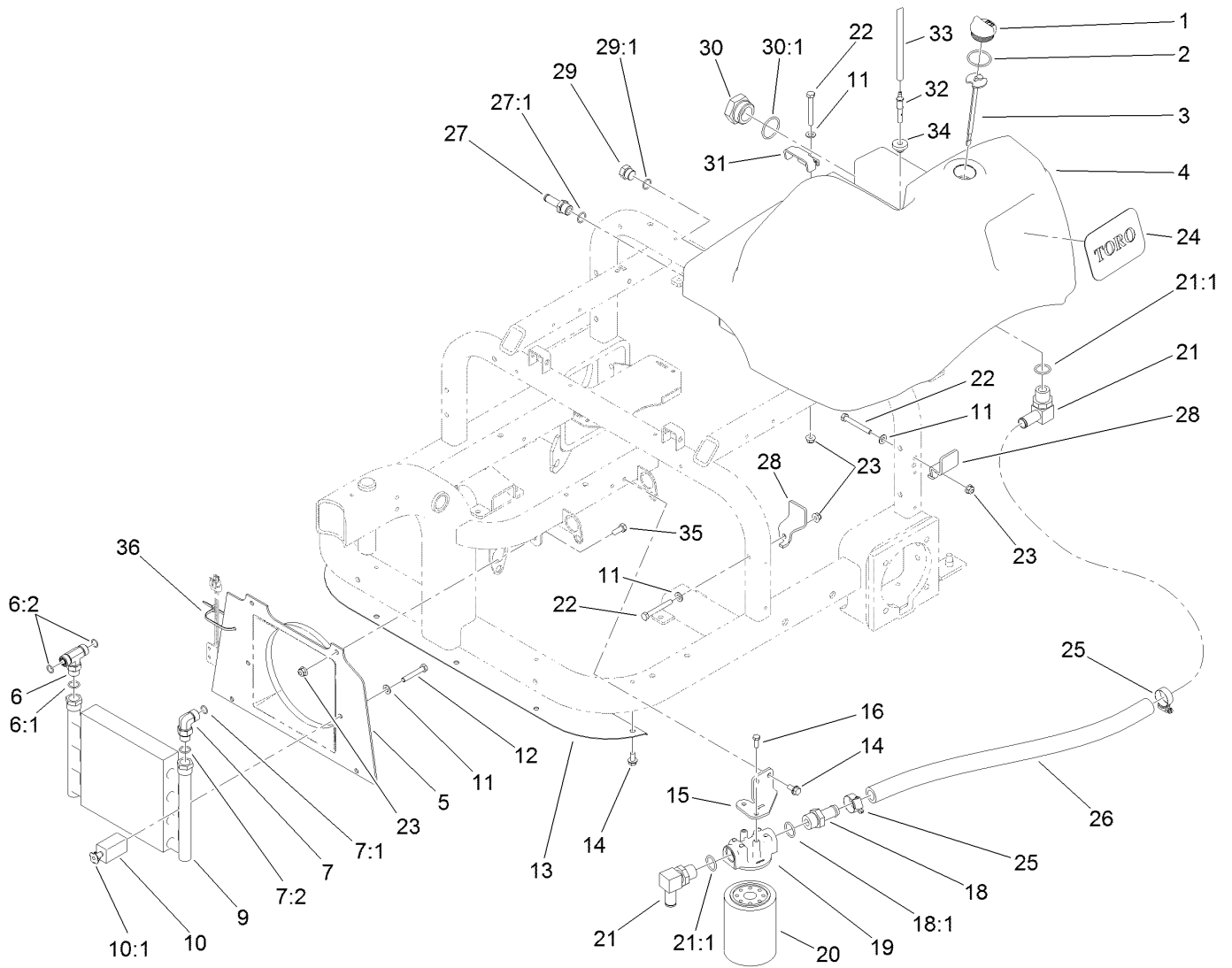


Variable Piston Pump Assembly No. 132-4350 (continued)

<i>Ref.</i>	<i>Part Number</i>	<i>Qty.</i>	<i>Description</i>	<i>Ref.</i>	<i>Part Number</i>	<i>Qty.</i>	<i>Description</i>
1	93-4133	1	Seal-Lip	20	252-82	1	Bearing-Needle
2	67-8050	1	Bearing-Needle	21	25-2500	1	Shaft-Trunnion
3	322-4	4	Screw-HH	22	3257-32	2	Key-Woodruff
4	114-0611	1	Housing-Pump, Charge	24	48-1800	1	Cylinder Block Kit
5	95-5812	1	Gerotor ASM	24:1		1	Retainer-Slipper ●
6	237-95	1	O-Ring	24:2		9	Piston ASM ●
7	49-8520	1	Implement Relief Kit	25	32121-91	4	Pin-Spring
7:1	83-7260	1	Cone-Relief, Charge	26	25-2380	1	Plate-Thrust
7:2	25-2570	1	Spring-Valve	27	88-8160	1	Plate-Valve
7:3	25-2470	1	Pack-Shim	28	25-2400	1	Gasket
7:4	237-86	1	O-Ring	29	110-6341	1	Bearing-Roller
7:5	25-2460	1	Plug-HH	31	112-7652	2	O-Ring
8	67-8030	2	Plug ASM	32	28-3440	2	Plug-Threaded
9	49-8510	1	Valve Kit	32:1	75-0240	1	O-Ring
9:1	25-2480	1	Spring-Valve	33	98-0920	1	Valve-Acceleration
9:2	25-2460	1	Plug-HH	34	25-2610	1	Spring-Valve
9:3	237-86	1	O-Ring	35	99-5689	1	Check Valve Kit
9:4	25-2470	1	Pack-Shim	35:1	25-2490	1	Ball
9:5	83-7260	1	Cone-Relief, Charge	35:2	25-2640	1	Spring-Valve
10	32151-46	2	Ring-Retaining	35:3	25-2650	1	Plug-Valve, Check
11	88-8180	1	Shaft-Trunnion	35:4	237-86	1	O-Ring
12	25-2510	2	Washer-Flat	36	75-0190	1	Plug-Special
13	25-3210	2	Seal-Lip	37	75-0240	1	O-Ring
14	88-8190	1	Bearing-Journal	38	110-6342	1	Spring
15	32151-83	1	Ring-Snap	39	110-6343	1	Valve-Scr
16	95-5809	1	Bearing-Ball	40	132-4357	1	Seal-Lip
17	32151-75	1	Ring-Retaining	41	98-0920	1	Valve-Acceleration
18	67-9090	1	Plug ASM	42	112-7651	1	Cap-End
19	75-0160	1	Plug-Pipe				

● Not serviced separately

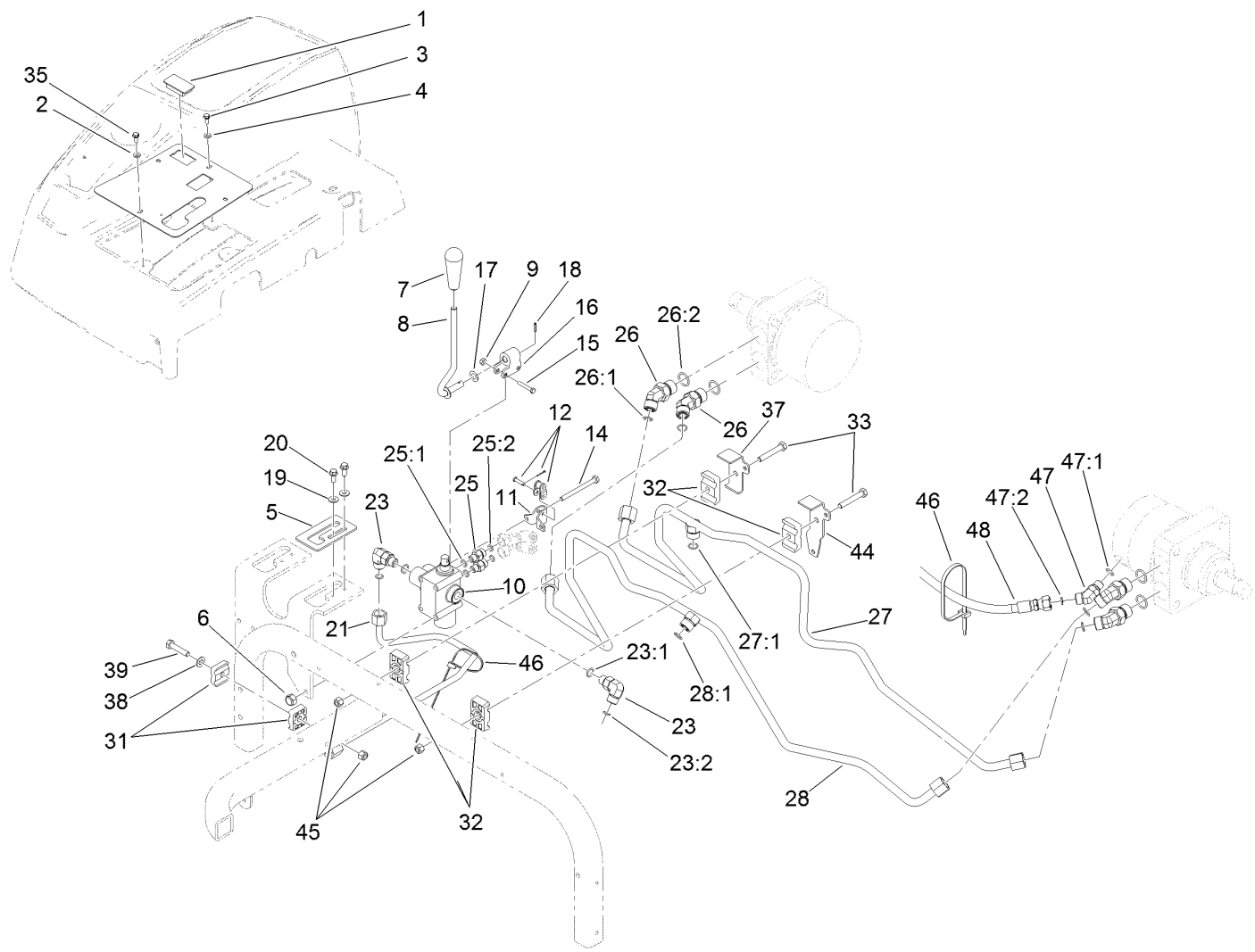
Hydraulic Tank, Filter and Cooler Assembly



Hydraulic Tank, Filter and Cooler Assembly (continued)

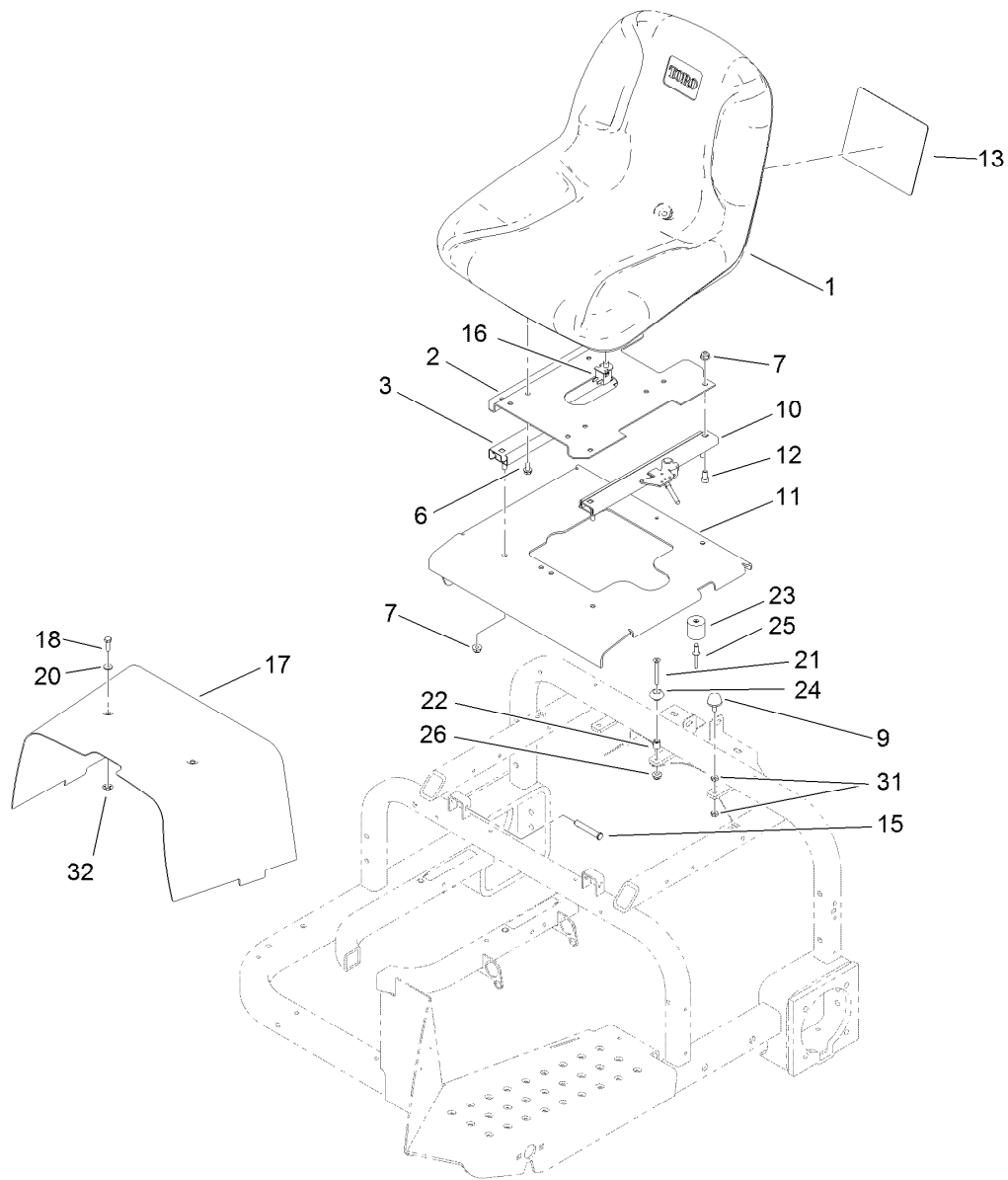
<i>Ref.</i>	<i>Part Number</i>	<i>Qty.</i>	<i>Description</i>	<i>Ref.</i>	<i>Part Number</i>	<i>Qty.</i>	<i>Description</i>
1	93-7498	1	Plug-Plastic	20	54-0110	1	Filter-Oil, Transmission
2	237-101	1	O-Ring	21	353-987	2	Fitting-HYD, 90 DEG (Barbed)
3	108-7996	1	Dipstick ASM	21:1	237-81	1	O-Ring
4	119-9040	1	Tank-Hydraulic	22	322-12	5	Screw-HH
5	108-5477	1	Shroud-Fan	23	104-8300	9	Nut-Flange, NI
6	340-157	1	Fitting-HYD, Tee	24	108-8452	1	Decal-Logo
6:1	237-79	1	O-Ring	25	2412-129	2	Clamp-Hose
6:2	237-30	2	O-Ring	26	108-5483	1	Hose-Suction, Tank
7	340-98	1	Fitting-HYD, 90 DEG	27	354-121	1	Fitting-Straight
7:1	237-79	1	O-Ring	27:1	237-79	1	O-Ring
7:2	237-30	1	O-Ring	28	108-7965	2	Clamp-Tank, HYD
9	108-8457	1	Cooler-Oil	29	353-550	1	Plug-HYD, HH
10	85-9550	2	Rubber Clamp ASM	29:1	237-79	1	O-Ring
10:1	85-9670	1	T-Nut	30	108-8468	1	Plug-HH
11	3256-23	7	Washer-Flat	30:1	237-101	1	O-Ring
12	322-11	2	Screw-HH	31	108-7903	1	Clamp-Tank
13	121-2474-03	1	Panel-Cooler	32	110-1372	1	Fitting-Vent, Tank
14	32144-14	7	Screw-HWHTF	33	110-8181	1	Hose-Fuel
15	108-5482	1	Bracket-Filter, Oil	34	46-6560	1	Bushing
16	3234-4	2	Screw-HHF	35	322-3	4	Screw-HH
18	354-73	1	Fitting-Straight	36	3290-379	1	Tie-Cable
18:1	237-81	1	O-Ring				
19	68-8990	1	Filter Head ASM				

Lift Valve and Rear Tube Assembly



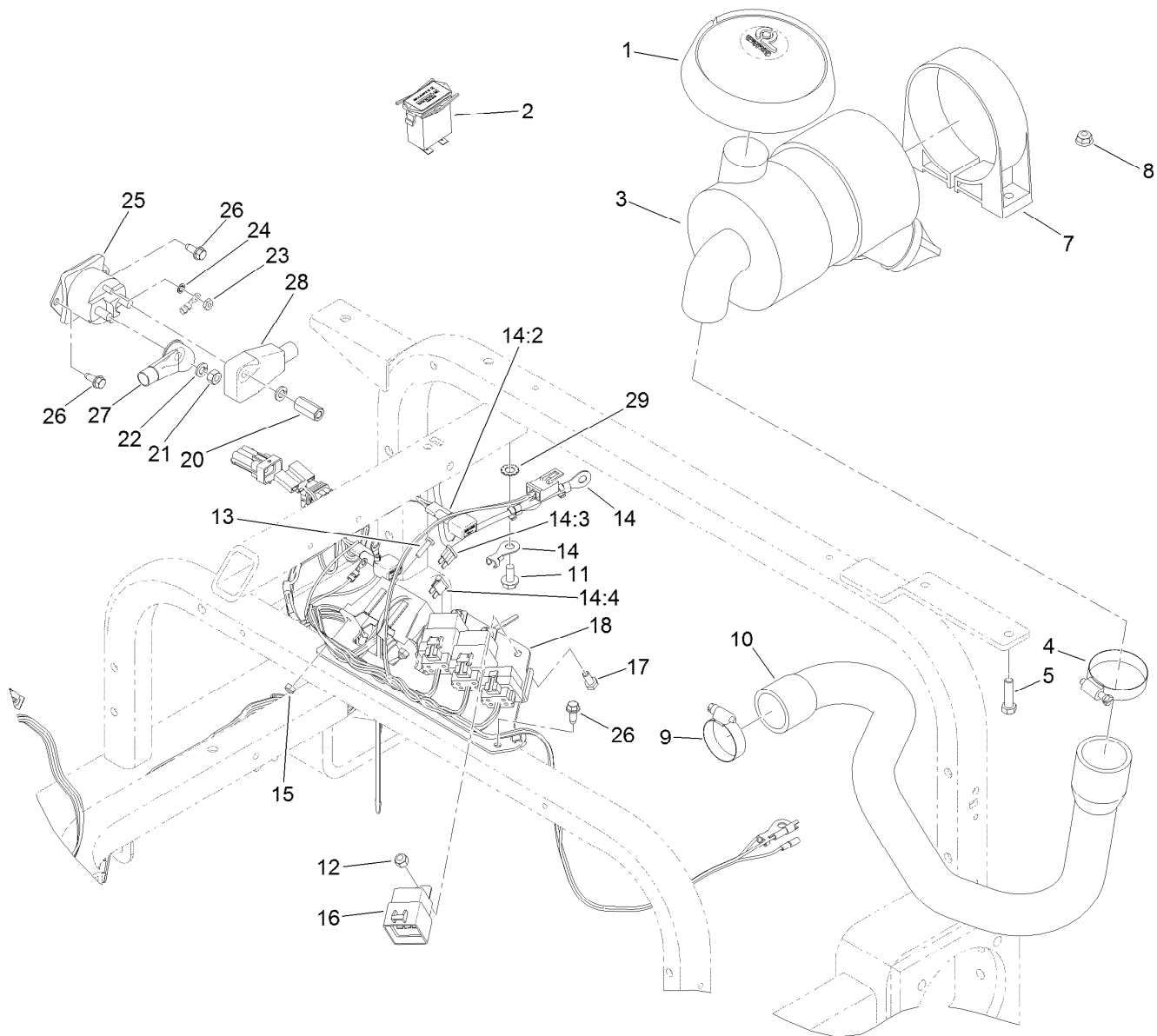
Lift Valve and Rear Tube Assembly (continued)

<i>Ref.</i>	<i>Part Number</i>	<i>Qty.</i>	<i>Description</i>	<i>Ref.</i>	<i>Part Number</i>	<i>Qty.</i>	<i>Description</i>
1	99-7420	1	Plug-Hole	25:1	237-78	1	O-Ring
2	108-7909-03	1	Panel-Control	25:2	237-21	1	O-Ring
3	3290-321	4	Screw-HWH	26	340-89	4	Fitting-HYD, 45 DEG
4	3256-51	4	Washer-Flat	26:1	237-30	1	O-Ring
5	108-7941	1	Plate-Guide, Lever	26:2	237-80	1	O-Ring
6	3296-42	3	Nut-Lock, NI	27	108-8406	1	Tube ASM
7	98-0152	1	Knob-Tapered	27:1	237-30	1	O-Ring
8	108-7942	1	Rear Lever ASM	28	110-1323	1	Tube ASM
9	3296-2	2	Nut-Lock, NI	28:1	237-30	1	O-Ring
10	121-9070	1	Valve ASM	31	56-7973	2	Clamp-Tube
11	88-8480	1	Bracket-Pivot	32	56-7976	4	Clamp-Tube
12	2710-20	1	Link-Offset	33	322-10	2	Screw-HH
14	321-23	3	Screw-HH	35	108-8484	1	Decal-Lift, Rear
15	3290-360	2	Screw-HH	37	110-1333	1	Bracket-Clamp
16	125-1944	1	Pivot-Hinge	38	3256-23	1	Washer-Flat
17	3290-477	1	Washer-Curved	39	322-7	1	Screw-HH
18	32121-73	1	Pin-Roll	44	110-1332	1	Bracket-Clamp
19	3256-1	2	Washer-Flat	45	3296-29	3	Nut-Lock, NI
20	3234-33	2	Screw-HHF	46	3290-378	2	Tie-Cable
21	108-8416	1	Tube ASM	47	340-87	1	Fitting-HYD, 45 DEG
23	340-77	2	Fitting-HYD, 90 DEG	47:1	237-22	1	O-Ring
23:1	237-22	1	O-Ring	47:2	237-42	1	O-Ring
23:2	237-42	1	O-Ring	48	112-1411	1	Hose-HYD
25	340-92	2	Fitting-HYD, Straight				



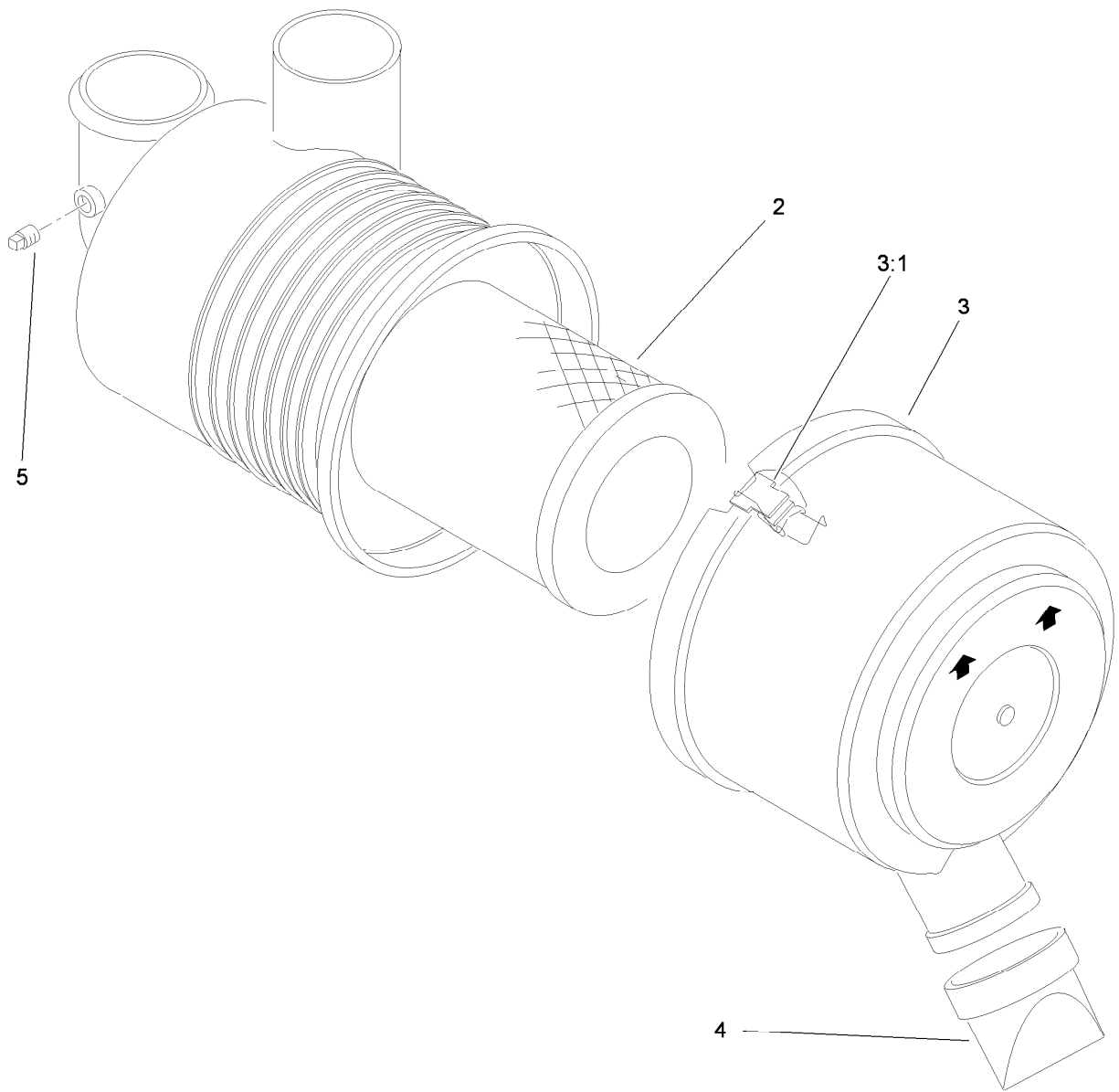
Seat and Shroud Assembly

<i>Ref.</i>	<i>Part Number</i>	<i>Qty.</i>	<i>Description</i>	<i>Ref.</i>	<i>Part Number</i>	<i>Qty.</i>	<i>Description</i>
1	108-6878	1	Seat	17	108-6859-01	1	Shroud-Center
2	108-7931-03	1	Base-Seat	18	321-5	2	Screw-HH
3	51-0780	1	Slider-Seat	20	3256-1	2	Washer-Flat
6	3234-14	4	Screw-HHF	21	363-1571	1	Screw-PFH
7	104-8300	8	Nut-Flange, NI	22	609588	1	Spacer
9	1-523420	2	Bumper	23	99-7830	1	Rubber Receptical ASM
10	51-0790	1	Adjuster-Seat, LH	24	99-7833	1	Post-Holding
11	130-7834-03	1	Base-Seat	25	3290-412	1	Rivet
12	3274-12	4	Screw-HSH	26	104-7201	1	Nut-Flange, NI
13	108-8418	1	Decal-Service	31	3218-1	4	Nut-Jam
15	112-7153	2	Pin	32	106-8737	2	Nut-Retainer
16	82-2190	1	Switch-Bail				



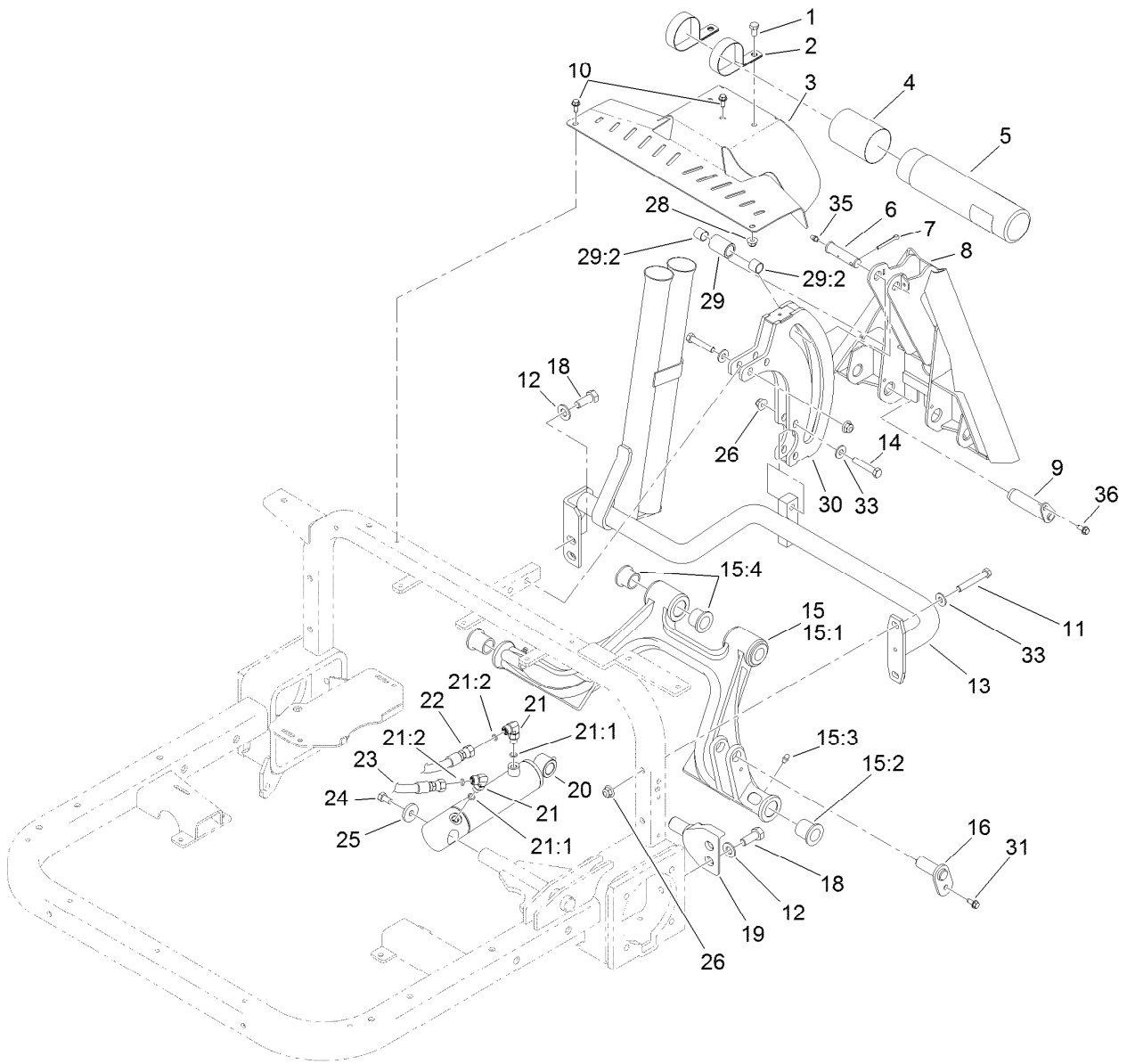
Wire Harness, Air Cleaner and Hose Assembly

Ref.	Part Number	Qty.	Description	Ref.	Part Number	Qty.	Description
1	120-4848	1	Hood-Inlet, Air	14:4	109355	1	Fuse-Blade, 15 Amp
2	1-513374	1	Meter-Hour	15	3296-2	2	Nut-Lock, NI
3	93-2190	1	Air Cleaner ASM	16	99-7430	3	Relay
4	2412-92	1	Clamp-Hose	17	321-3	3	Screw-HH
5	322-6	2	Screw-HH	18	112-1444-01	1	Bracket-Relay
7	95-5806	1	Bracket-Mounting	20	110-3380	1	Nut-Standoff
8	104-8300	2	Nut-Flange, NI	21	3218-13	1	Nut-Jam, Brass
9	2412-3	1	Clamp-Hose	22	3253-4	2	Washer-Lock
10	117-9576	1	Hose-Air	23	3219-14	2	Nut-Hex
11	32144-14	1	Screw-HWHTF	24	3254-1	2	Washer-Lock, Int
12	3296-42	3	Nut-Lock, NI	25	28-4210	1	Solenoid
13	3250-13	2	Screw-PPH	26	32144-10	4	Screw-HWH
14	112-1446	1	Harness-Wire	27	110-3315	1	Cable-Positive, Starter
14:2	100-4918	2	Diode-Over Molded	28	110-3314	1	Cable-Positive, Battery
14:3	218-578	1	Fuse-Blade, 10 Amp	29	3255-9	1	Washer-Lock



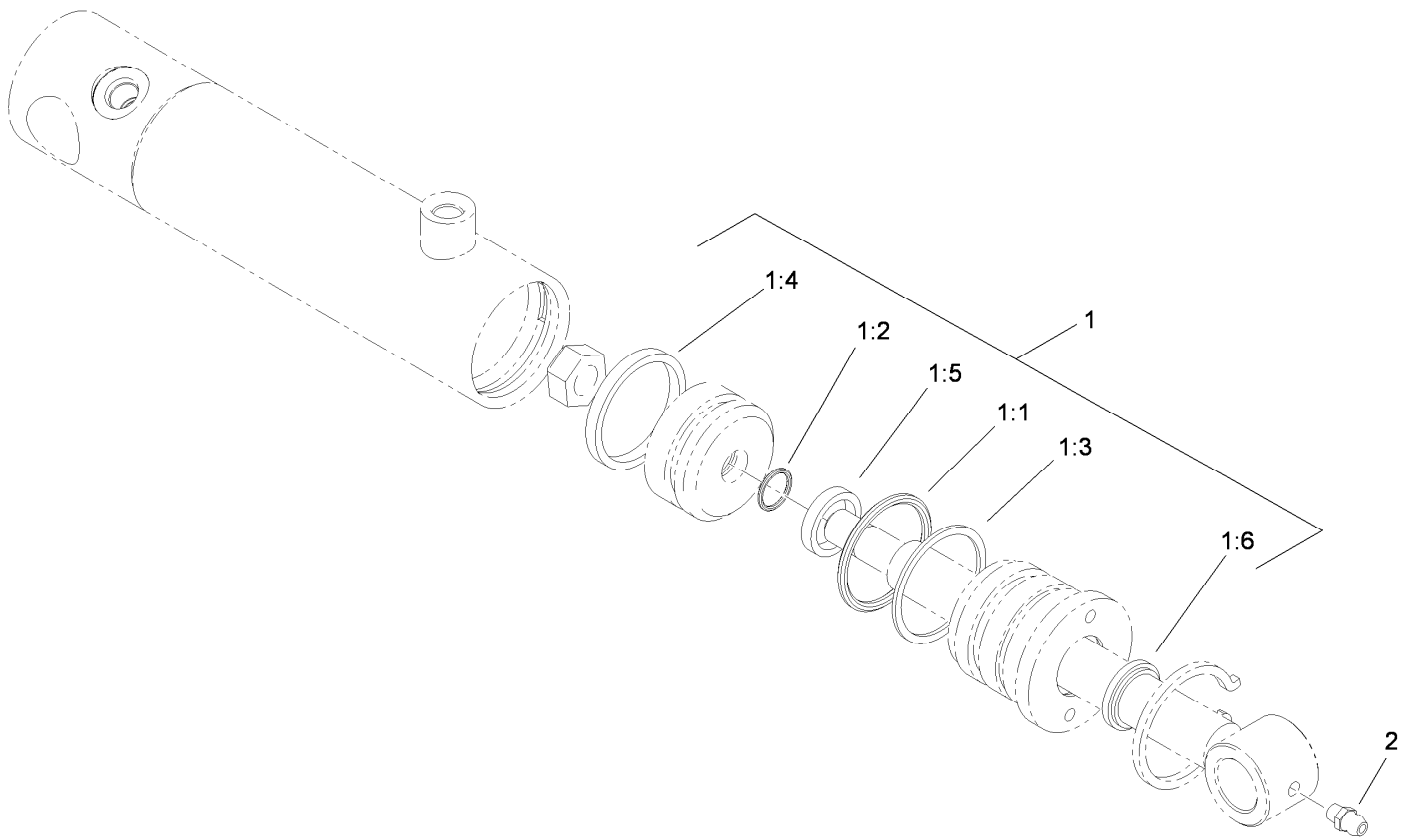
Air Cleaner Assembly No. 93-2190

<i>Ref.</i>	<i>Part Number</i>	<i>Qty.</i>	<i>Description</i>
2	108-3811	1	Filter-Air
3	94-3652	1	Cover ASM
3:1	1-643283	2	Latch-Cleaner, Air
4	87-9400	1	Valve-Vacuator
5	285-17	1	Plug-Pipe



Rear Hitch Assembly

Ref.	Part Number	Qty.	Description	Ref.	Part Number	Qty.	Description
1	322-2	2	Screw-HH	18	325-5	4	Screw-HH
2	2412-133	2	R-Clamp	19	115-5618	2	Pivot-Hub
3	121-9081-01	1	Cover-Rear	20	115-5647	1	HYD Lift Cylinder ASM
4	104-7048	1	Cap-Housing	21	340-132	2	Fitting-HYD, 90 DEG
5	104-7050	1	Tube-Manual	21:1	237-78	1	O-Ring
6	108-2282	1	Pin-Clevis	21:2	237-21	1	O-Ring
7	3272-23	1	Pin-Cotter	22	95-8837	1	Hose ASM
8	108-6870-01	1	Adapter ASM	23	100-3833	1	Hose-HYD
9	108-6885	2	Pin ASM	24	323-34	1	Screw-HH
10	32144-10	3	Screw-HWH	25	53-6380	1	Washer-Flat
11	323-12	2	Screw-HH	26	104-8301	6	Nut-Flange, NI
12	3256-26	4	Washer-Flat	28	104-8300	2	Nut-Flange, NI
13	120-3465-03	1	Frame-Hitch	29	108-5472	1	Tube ASM
14	323-10	4	Screw-HH	29:2	256-311	2	Bushing-Split
15	120-3457	1	Rear Hitch ASM	30	110-1368-01	1	Plate-Roller
15:1	115-5609-01	1	Hitch	31	32144-10	1	Screw-HWH
15:2	95-3577	2	Bushing	33	3256-3	6	Washer-Flat
15:3	302-5	4	Fitting-Grease	35	302-5	1	Fitting-Grease
15:4	33-3090	4	Bushing	36	99-8445	2	Screw-HWH
16	115-5648	1	Pin-Flag				



Hydraulic Lift Cylinder Assembly No. 115-5647

<i>Ref.</i>	<i>Part Number</i>	<i>Qty.</i>	<i>Description</i>
1	108-4597	1	Seal Kit
1:1		1	O-Ring ●
1:2		1	O-Ring ●
1:3		1	Ring-Back Up ●
1:4		1	Seal-Psp ●
1:5		1	Seal-Rod ●
1:6		1	Seal-Dust ●
2	302-5	1	Fitting-Grease

● Not serviced separately

Attachments and Accessories

For 08705 Sand Pro 5040 Traction Unit

Product Name	Model/Part
Midmount Toolbar System	08731
Tooth Rake	08751
Spring Rake	08752
Rear Broom	08753
Finish Grader	08754
Manual Blade	08714
Spiker	08755
Drag Mat Carrier System	08756
Debris Blower	08759
Rear Remote Hydraulic Kit	08781
Wheel and Tire Assembly	121-9077
Spark Arrestor Screen	119-7185
MVP Filter Kit	30035
Yellow Hydraulic Cap	107-1576
Draw Bar Hitch Assembly	110-1375
Premium Engine Oil SAE 30 (Drum)	108-1196
Light Kit	110-1314
Premium All Purpose Grease (Tube)	108-1190
Premium Engine Oil SAE 30 (Pail)	108-1197
Speed Limiter Kit	110-1371
Smooth Wheel and Tire ASM	112-0034
Drag Mat Assembly	112-1424
Variable Orifice Kit	112-1433
Front Remote Hydraulics	08782
Premium All Season Hydraulic Fluid (55 Gallon Drum)	108-1177
Front Lift Frame	08712
Premium All Season Hydraulic Fluid (5 Gallon Pail)	108-1178
QAS Nail Drag	08761
QAS Bunker Pump	08765
Carbide Tine Pack	119-2152
Synthetic Turf Conditioner, Sand Pro/Infield Pro with QAS	08790
Turf Groomer, Sand Pro Traction Unit with QAS	08794
Yellow Hydraulic Fluid Cap (Tethered)	107-2174



Count on it.