



Count on it.

Parts Catalog

TimeCutter® SW 3200

Riding Mower

Model No. 74670—Serial No. 315000001 and Up



Ordering Replacement Parts

To order replacement parts, please supply the part number, the quantity, and the description of each part desired.

Understanding Reference Numbers

Each identified part in an illustration has a reference number. The reference number for a part also appears in the parts list, along with other information about the part.

This catalog uses two special reference number formats, one to indicate parts in a service assembly and another to indicate the quantity of a given part in an illustration.

Service Assembly Reference Numbers

Parts in service assemblies have reference numbers in the form a:b. The a represents the reference number of the entire service assembly and the b represents a sequential number unique to each part within the service assembly.

For example, a wheel assembly might be identified by reference number 6, the tire by 6:1, the valve by 6:2, and the wheel by 6:3. When you order the assembly identified by reference number 6, you receive all parts identified by reference numbers 6:1, 6:2, and 6:3. However, you may also order any part individually. Reference numbers of this type appear in illustration and in parts lists.

Reference Numbers Indicating Quantity

In an illustration, if a reference number indicates more than one part, the reference number has the form nX y. The n represents the quantity of the part, the X is the multiplication symbol, and the y represents the reference number.

For example, in an illustration, the reference number 2X 37 means that two of the parts identified by reference number 37 are indicated.

List of Abbreviations

AR: as required

ASM: assembly

BBC: blade brake control

BHTF: button head thread forming

CARR: carriage

CCW: counter clockwise

CW: clockwise

DEG: degrees

DPA: Dual Point Adjustment

ECM: electronic control module

EXT: external

FH: flat head

GA: gauge

HD: heavy-duty

HF: hex flange

HH: hex head

HHF: hex head flange

HHFTF: hex head flange thread forming

HJ: hex jam

HLH: hex lag head

HOC: height-of-cut

HP: high pressure

HSBH: hex socket button head

HSFH: hex socket flat head

HSH: hex socket head

HWH: hex washer head

HWHTF: hex washer head thread forming

HYD: hydraulic

LH: left hand

LP: low pressure

LPG: Liquefied Petroleum Gas

NI: nylon insert

NPTF: national pipe thread fine

PFH: phillips flat head

PPH: phillips pan head

PPHTF: phillips pan head thread forming

PRH: phillips round head

PTH: phillips truss head

PTO: power-take-off

RH: right hand

ROPS: roll-over protection system

RRB: rear roller brush

SFH: slotted fillister head

SHH: slotted hex head

SHWH: slotted hex washer head

SPH: slotted pan head

SQH: square head

SRH: slotted round head

STD: standard

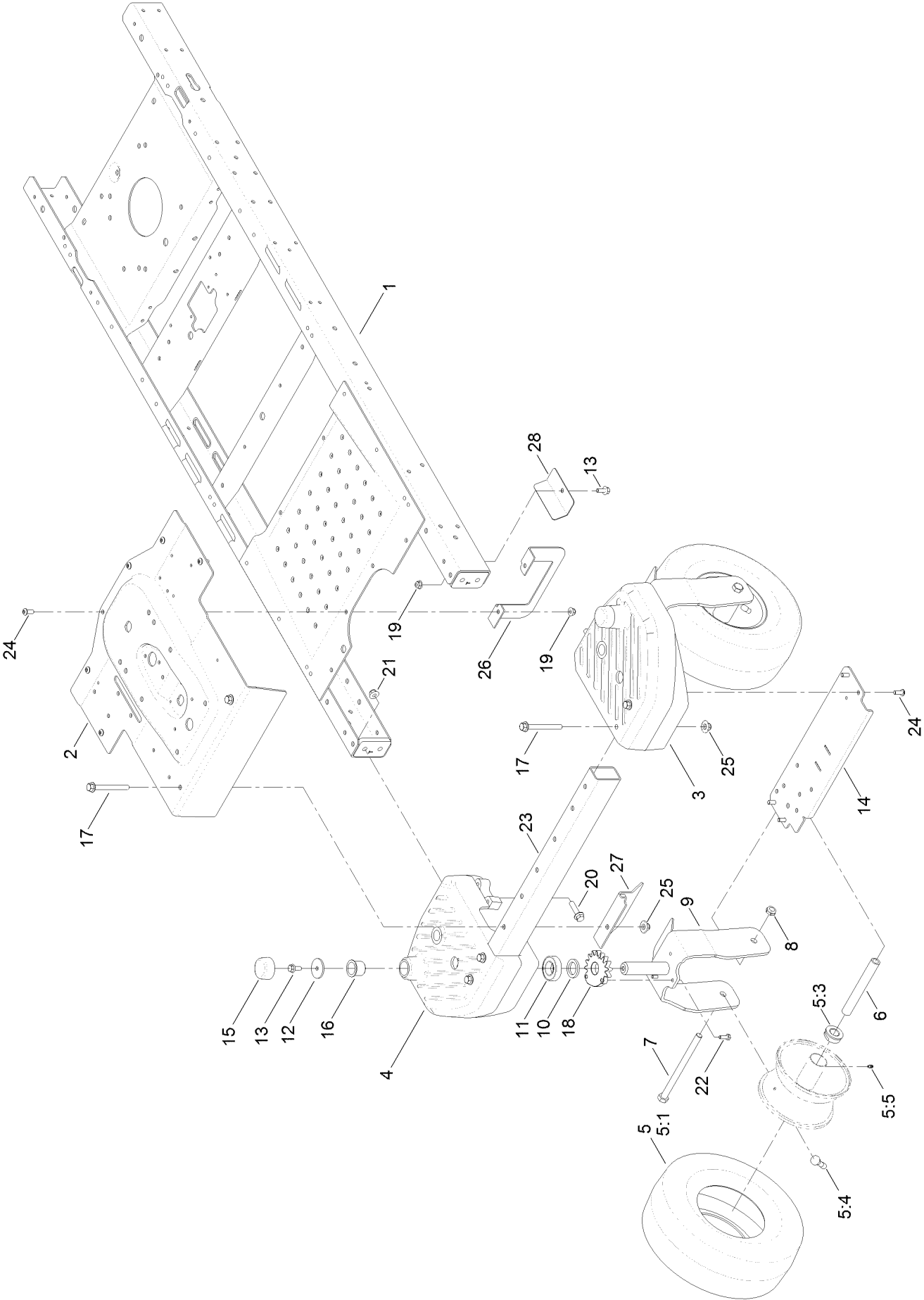
TAP: self tapping

TTH: torx truss head

Contents

Frame, Front Axle and Caster Wheel Assembly	4
Deck Lift Assembly.....	6
Motion Control Assembly	8
Brake Box Assembly	10
Seat Assembly	12
Belt and Idler Assembly.....	14
Steering Column Assembly	16
Gear Assembly	18
Steering Assembly	20
Hydro Transaxle Assembly	22
4 Ply Wheel and Tire Assembly No. 119-3422.....	24
2 Ply Wheel and Tire Assembly No. 131-3670	26
Left Hand Hydro Transaxle Assembly No. 119-3330	28
Right Hand Hydro Transaxle Assembly No. 119-3331	30
Clutch Assembly.....	32
Battery and Electrical Assembly.....	34
Wire Harness Assembly	36
Speed Control Assembly.....	38
Fuel Delivery Assembly.....	40
Engine and Blade Assembly	42
Fuel System Engine Assembly No. 127-9358	44
Air Intake and Filtration Assembly Engine Assembly No. 127-9358.....	46
Ignition and Electrical Assembly Engine Assembly No. 127-9358	48
Crankcase Assembly Engine Assembly No. 127-9358	50
Governor Control Assembly Engine Assembly No. 127-9358.....	52
Piston and Cylinder Head Assembly Engine Assembly No. 127-9358.....	54
Blower Housing Assembly Engine Assembly No. 127-9358	56
Gasket and Seal Kit Engine Assembly No. 127-9358.....	58
Body Styling and Fuel Tank Assembly	60
32 Inch Deck Assembly.....	62
32 Inch Deck Baffle Assembly	64
32 Inch Deck, Belt and Blade Assembly	66
Attachments and Accessories	68

Frame, Front Axle and Caster Wheel Assembly

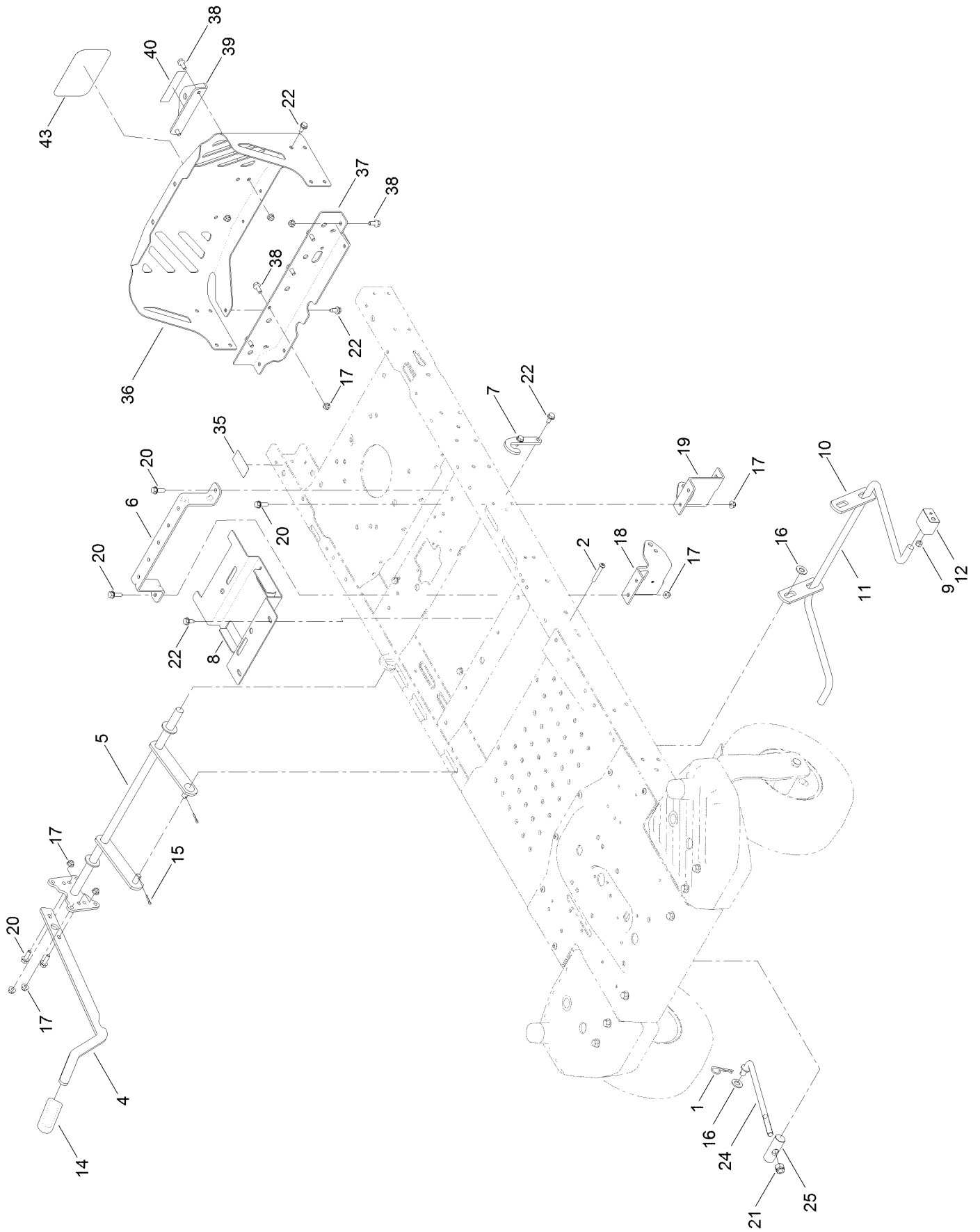


Frame, Front Axle and Caster Wheel Assembly (continued)

<i>Ref.</i>	<i>Part Number</i>	<i>Qty.</i>	<i>Description</i>	<i>Ref.</i>	<i>Part Number</i>	<i>Qty.</i>	<i>Description</i>
1	130-0804-01	1	Frame ASM	13	3234-47	3	Screw-HHF
2	130-6931-05	1	Pan-Steer, Front	14	130-6983-03	1	Plate-Bridge, Narrow
3	130-0748-05	1	Housing-Spindle, LH	15	130-7015	2	Cap-Caster
4	130-0746-05	1	Housing-Spindle, RH	16	126-1963	2	Bushing-Pivot
5	130-0736	2	Caster Wheel ASM	17	115-7660	6	Screw-HHF
5:1	130-0735	1	Tire	18	130-0689	2	Gear-Wheel, 15 Teeth
5:3	114-1640	2	Bushing-Flange	19	104-8300	7	Nut-Flange, NI
5:4	232-27	1	Stem-Valve	20	114-4681	4	Screw-HHF
5:5	302-5	1	Fitting-Grease	21	104-8301	4	Nut-Flange, NI
5:99	105-0844	1	Tube-Inner ●	22	321-4	4	Screw-HH
6	104-3667	2	Spanner-Wheel	23	130-6902-03	1	Tube-Front, Narrow
7	325-22	2	Screw-HH	24	131-4080	10	Screw-HSBH
8	3296-45	2	Nut-Lock, NI	25	109-6658	6	Nut-Flange, NI
9	130-6970-03	2	Caster Fork ASM	26	131-7745-03	1	Bracket-Upstop
10	117-7394	2	Washer-Thrust	27	132-0868-03	1	Guard-Front
11	109-3678	2	Bearing-Ball	28	132-0901-03	1	Plate-Guard
12	131-1032	2	Washer-Flat				

● Not illustrated

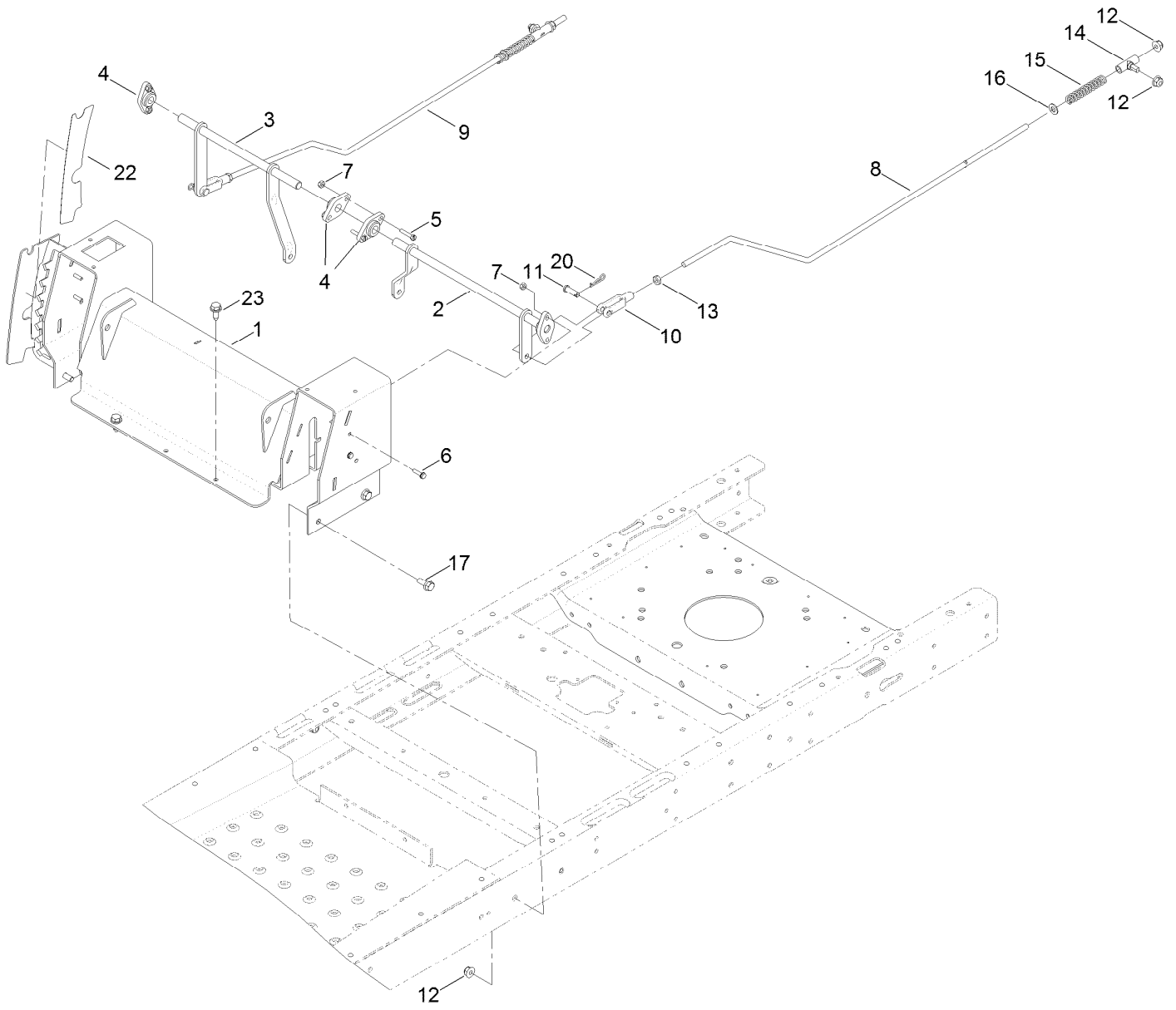
Deck Lift Assembly



Deck Lift Assembly (continued)

<i>Ref.</i>	<i>Part Number</i>	<i>Qty.</i>	<i>Description</i>	<i>Ref.</i>	<i>Part Number</i>	<i>Qty.</i>	<i>Description</i>
1	1-806005	1	Pin-Cotter	18	131-0901-01	1	Mount-Hydro, Front Right
2	120-5499	2	Screw-HSBH	19	131-0902-01	1	Mount-Hydro, Front Left
4	119-3427-03	1	Lever-Lift	20	3234-29	6	Screw-HHF
5	117-7346-03	1	Lift-Deck, Narrow	21	3296-19	1	Nut-Hex
6	119-3435-03	1	Brace-Seat, Rear (Narrow)	22	32144-70	16	Screw-HWHTF
7	119-8875	2	Bracket-Lift	24	131-3945	1	Rod-Mount, Deck
8	131-0914-03	1	Bracket-Battery	25	119-8810	1	Pin-Pivot
9	3296-29	2	Nut-Lock, NI	35	121-2989	2	Decal-Bypass
10	108-7840	2	Link-Lift	36	127-3353-03	1	Guard-Engine, Narrow
11	108-7839	1	Arm-Lift, Rear	37	130-6950-01	1	Crossmember-Rear, Narrow
12	108-7845	2	Block-Pivot	38	3234-47	8	Screw-HHF
14	1-633268	1	Grip-Lever	39	117-1232-03	1	Bracket-Hitch
15	3272-11	2	Pin-Cotter	40	131-4036	1	Decal
16	3256-26	3	Washer-Flat	43	99-4693	1	Decal
17	104-8300	14	Nut-Flange, NI				

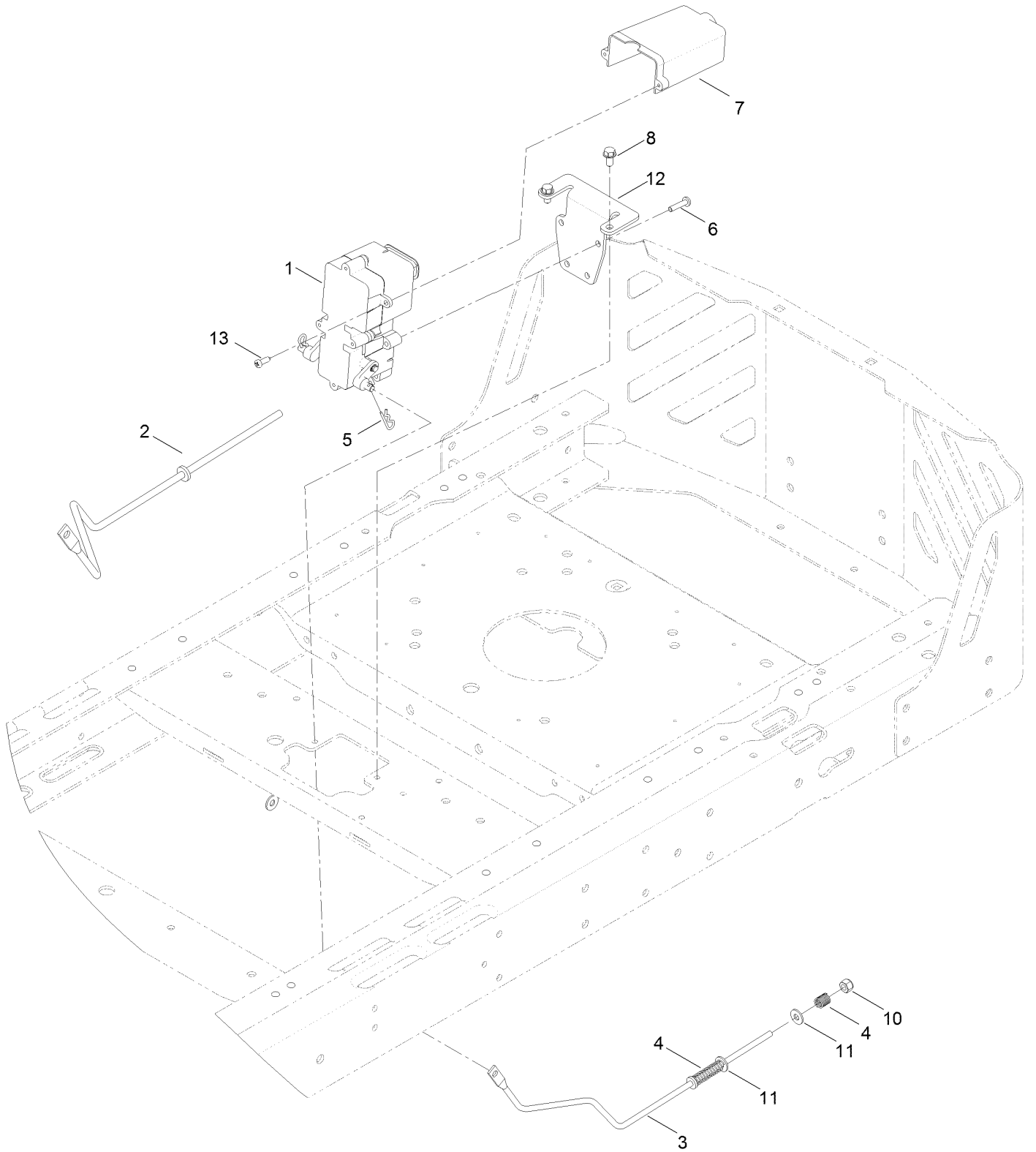
Motion Control Assembly



Motion Control Assembly (continued)

<i>Ref.</i>	<i>Part Number</i>	<i>Qty.</i>	<i>Description</i>	<i>Ref.</i>	<i>Part Number</i>	<i>Qty.</i>	<i>Description</i>
1	130-6898-03	1	Control Box ASM	11	1-808280	2	Pin-Clevis
2	130-6903	1	Bellcrank-LH, Narrow	12	104-8300	8	Nut-Flange, NI
3	130-6904	1	Bellcrank-RH, Narrow	13	3220-2	2	Nut-Jam
4	127-0146	4	Bearing- Flange	14	119-8842	2	Mount-Rod, Hydro
5	32105-12	2	Screw	15	1-603807	2	Spring-Return, Neutral
6	3290-126	4	Screw-HWH	16	3256-23	2	Washer-Flat
7	3296-2	6	Nut-Lock, NI	17	3234-47	4	Screw-HHF
8	125-1812	1	Rod-Hydro, LH	20	1-806003	2	Pin-Cotter
9	127-3378	1	Rod-Hydro, RH	22	120-5469	1	Decal
10	1-303105	2	Yoke-Adjustable	23	32144-70	2	Screw-HWHTF

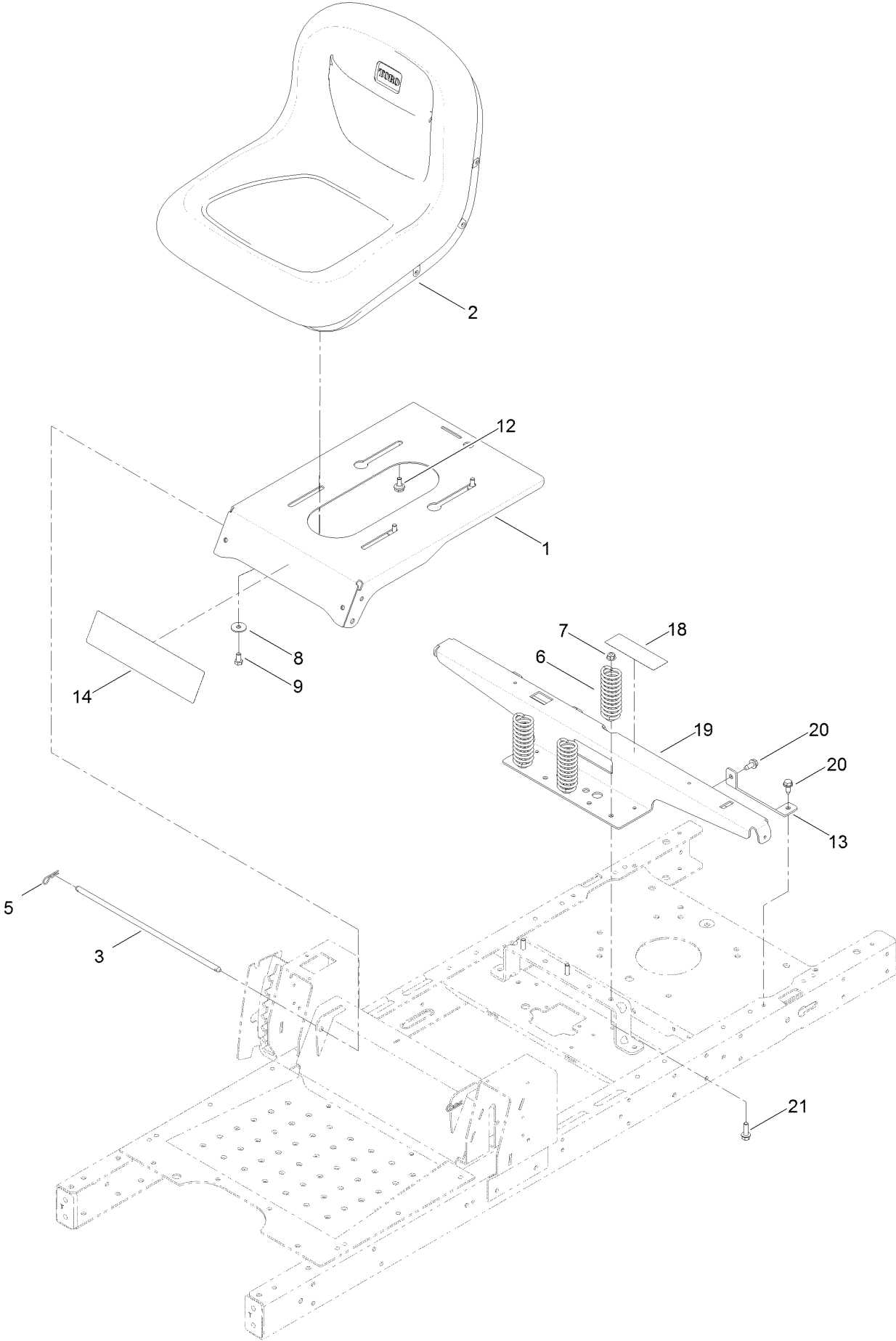
Brake Box Assembly



Brake Box Assembly (continued)

<i>Ref.</i>	<i>Part Number</i>	<i>Qty.</i>	<i>Description</i>	<i>Ref.</i>	<i>Part Number</i>	<i>Qty.</i>	<i>Description</i>
1	130-0795	1	Brake Box ASM	7	130-6974	1	Cover-Connector
2	121-2974	1	Rod-Brake, RH	8	32144-4	2	Screw-HWH
3	121-2975	1	Rod-Brake, LH	10	3296-42	2	Nut-Lock, NI
4	117-1169	4	Spring-Compression	11	119-8952	6	Washer
5	3290-307	2	Pin-Cotter	12	130-0790-03	1	Bracket-Mount, Brake
6	32144-36	4	Screw-PPH	13	94-4496	2	Screw-PPH

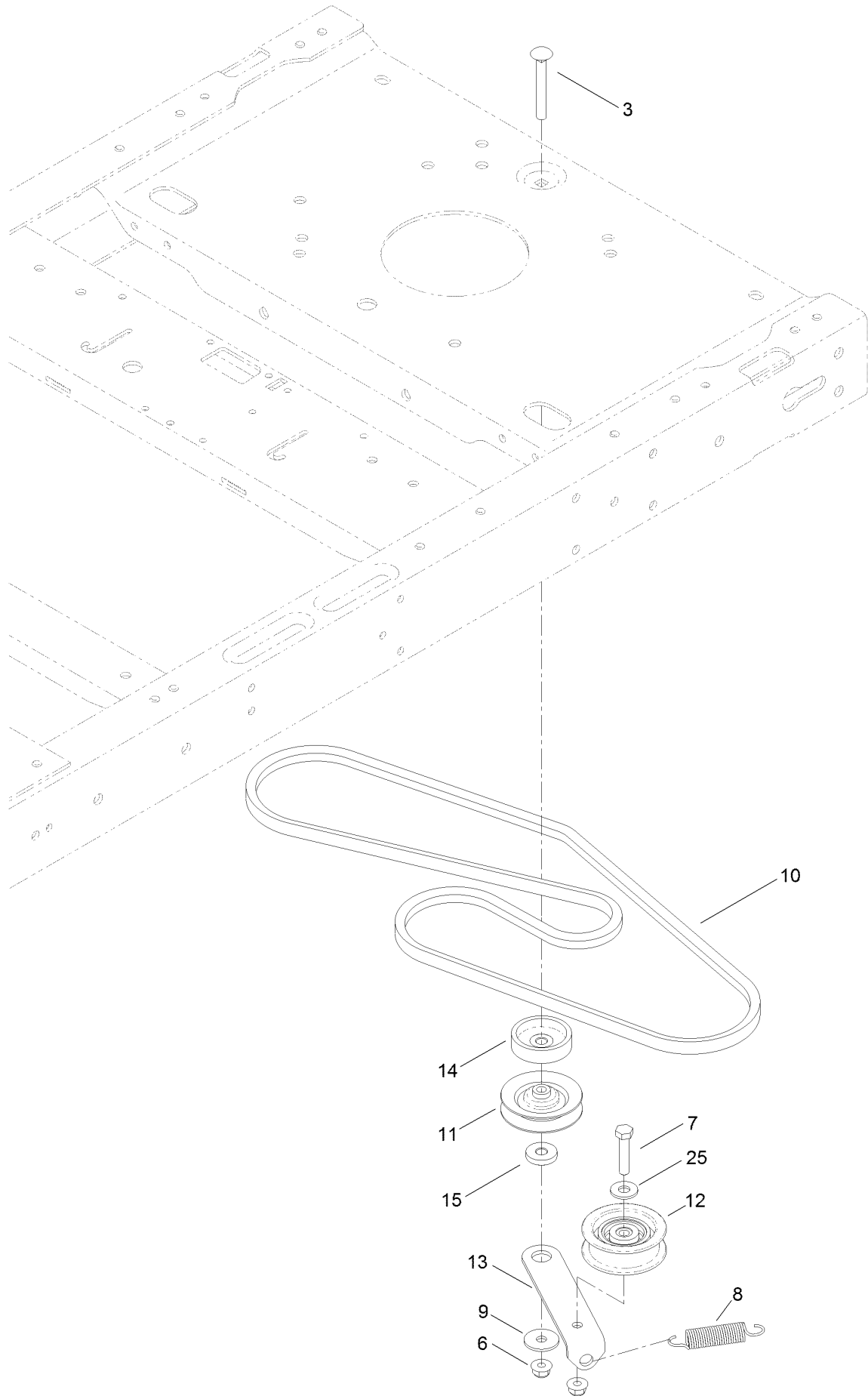
Seat Assembly



Seat Assembly (continued)

<i>Ref.</i>	<i>Part Number</i>	<i>Qty.</i>	<i>Description</i>	<i>Ref.</i>	<i>Part Number</i>	<i>Qty.</i>	<i>Description</i>
1	119-3391-01	1	Pan-Seat	12	37-8771	2	Bolt-Shoulder
2	119-8828	1	Seat-15 Inch	13	119-3431-03	2	Support-Tank, Rear
3	119-3433	1	Rod-Pivot, Narrow	14	131-3656	1	Decal-Timecutter
5	3290-250	2	Pin-Cotter	18	106-8717	1	Decal-Service
6	92-7054	3	Spring-Compression	19	131-1040-03	1	Support-Pod
7	104-8300	3	Nut-Flange, NI	20	32144-70	4	Screw-HWHTF
8	5-4460	2	Washer-Pivot	21	3234-29	3	Screw-HHF
9	322-2	2	Screw-HH				

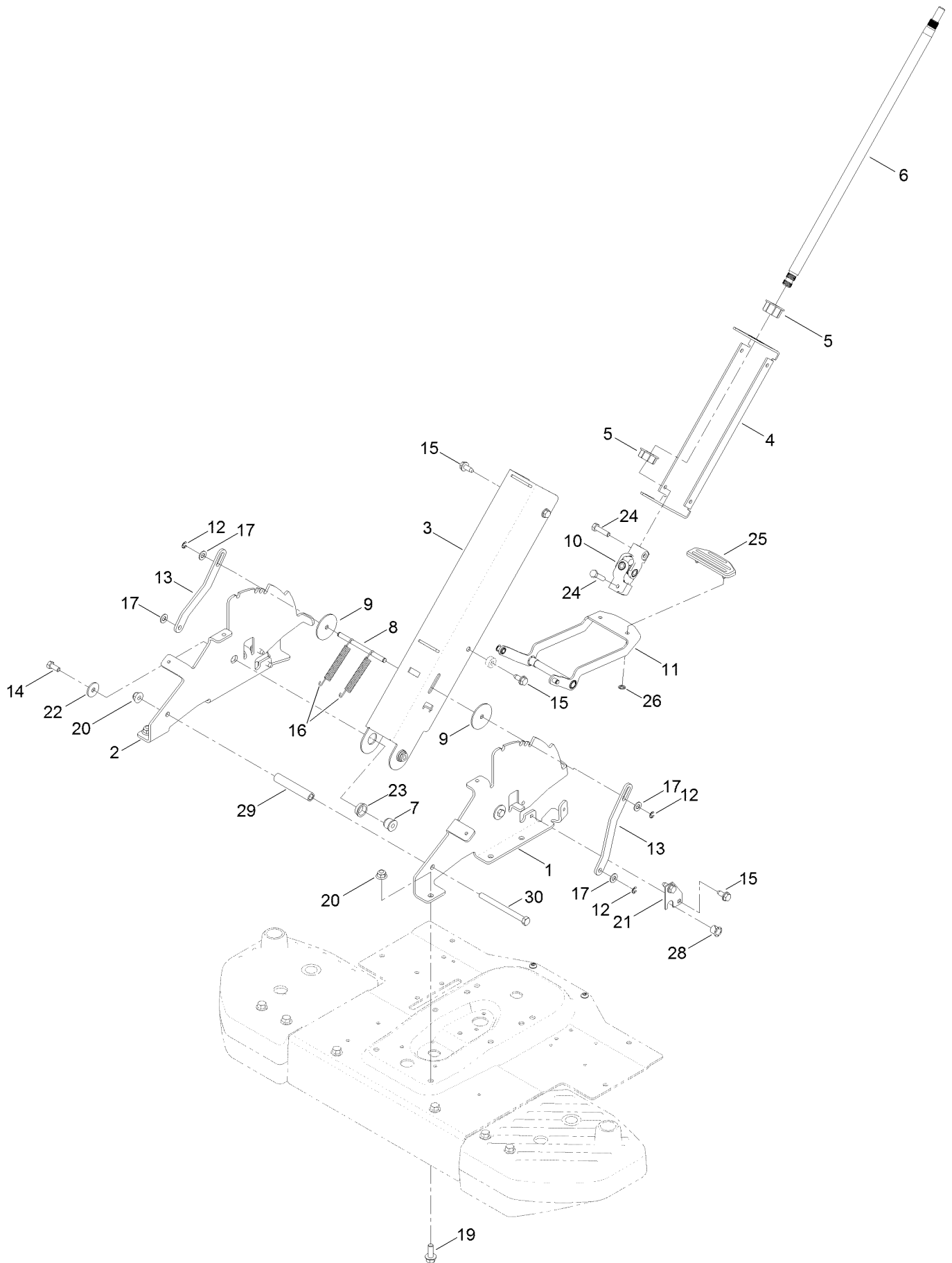
Belt and Idler Assembly



Belt and Idler Assembly (continued)

<i>Ref.</i>	<i>Part Number</i>	<i>Qty.</i>	<i>Description</i>	<i>Ref.</i>	<i>Part Number</i>	<i>Qty.</i>	<i>Description</i>
3	3230-8	1	Screw-CARR	11	119-8822	1	Pulley-Idler
6	104-8300	2	Nut-Flange, NI	12	106-2176	1	Pulley-Idler
7	322-7	1	Screw-HH	13	119-3326	1	Arm-Idler
8	104-6415	1	Spring-Return, Pedal	14	119-3353	1	Spacer
9	5-4460	1	Washer-Pivot	15	119-3327	1	Spacer-Arm, Idler
10	119-3309	1	V-Belt	25	3256-3	1	Washer-Flat

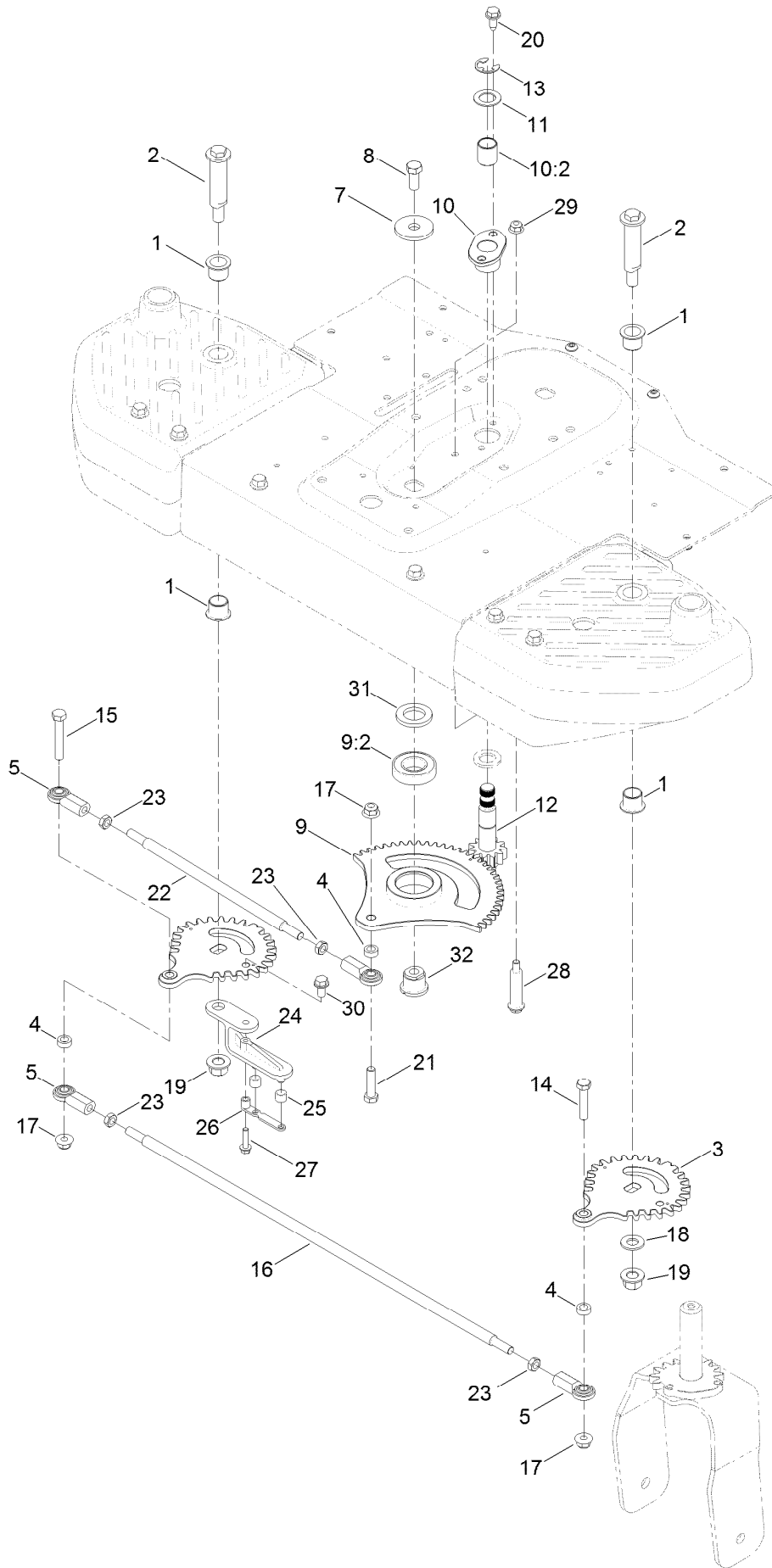
Steering Column Assembly



Steering Column Assembly (continued)

<i>Ref.</i>	<i>Part Number</i>	<i>Qty.</i>	<i>Description</i>	<i>Ref.</i>	<i>Part Number</i>	<i>Qty.</i>	<i>Description</i>
1	131-1052-03	1	Bracket-Pivot, Column (LH)	15	32144-70	8	Screw-HWHTF
2	131-1053-03	1	Bracket-Pivot, Column (RH)	16	130-6998	2	Spring-Extension
3	131-1054-01	1	Column-Front	17	3256-23	4	Washer-Flat
4	131-1055-01	1	Column-Back	19	3234-11	6	Screw-HHF
5	93-1146	2	Bushing-Steering, Upper	20	104-8301	7	Nut-Flange, NI
6	125-5507	1	Shaft-Steering, Upper	21	131-1043	2	Plate-Retainer
7	131-1056	2	Spacer-Pivot, Column	22	5-4460	2	Washer-Pivot
8	131-1050	1	Rod-Plunger	23	99-4243	2	Bushing-Flange
9	131-8729	2	Washer-Shaft, Tilt	24	322-6	2	Screw-HH
10	131-1030	1	U-Joint ASM	25	131-4096	1	Pad-Tilt Pedal
11	131-7726	1	Release Pedal ASM	26	32112-6	2	Nut-Push
12	701197	4	E-Ring	28	256-257	2	Bushing-Nyliner
13	131-1049	2	Plate-Plunger	29	131-3697	1	Spacer
14	322-3	2	Screw-HH	30	323-23	1	Screw-HH

Gear Assembly

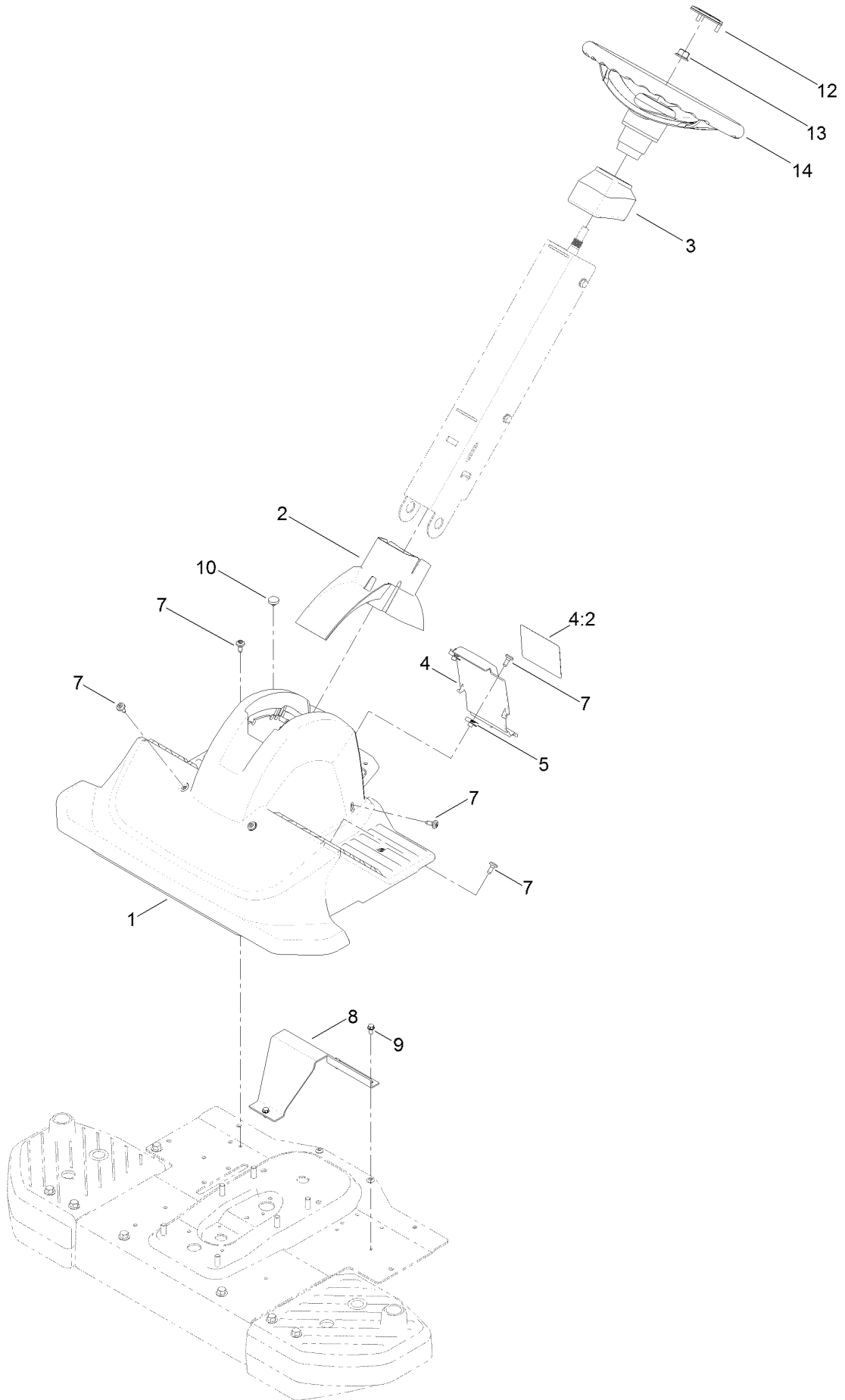


Gear Assembly (continued)

<i>Ref.</i>	<i>Part Number</i>	<i>Qty.</i>	<i>Description</i>	<i>Ref.</i>	<i>Part Number</i>	<i>Qty.</i>	<i>Description</i>
1	103-4398	4	Bearing-Flange, Iglide	17	104-8301	3	Nut-Flange, NI
2	131-1031	2	Bolt-Shoulder	18	3256-26	1	Washer-Flat
3	130-0830	2	Gear-Wheel, 30 Teeth	19	99-5107	2	Nut-Lock
4	83-1050	3	Spacer	20	32144-70	2	Screw-HWHTF
5	103-0608	4	Joint-Ball, End	21	323-8	1	Screw-HH
7	84-1560	1	Washer-Thrust	22	131-1036	1	Rod-Steering, Narrow
8	324-4	1	Screw-HH	23	3220-3	4	Nut-HJ
9		1	Sector Gear ASM ●	24	130-6878	1	Lever-Cable
9:2	109-3678	1	Bearing-Ball	25	131-3951	2	Bushing
10		1	Flange Bearing ASM ●	26	131-3950	1	Strap-Roller
10:2	115-7019	1	Bushing-Straight	27	32144-86	1	Screw-HWHTF
11	119-7640	1	Washer-Thrust	28	100-9880	1	Bolt-Shoulder
12	125-5508	1	Lower Steering Shaft ASM	29	104-8300	1	Nut-Flange, NI
13	32151-48	1	E-Ring	30	32144-14	1	Screw-HWHTF
14	323-9	1	Screw-HH	31	131-8736	1	Spacer-Bearing
15	323-11	1	Screw-HH	32	131-8737	1	Pivot-Bearing
16	131-1035	1	Rod-Cross, Narrow				

● Not serviced separately

Steering Assembly



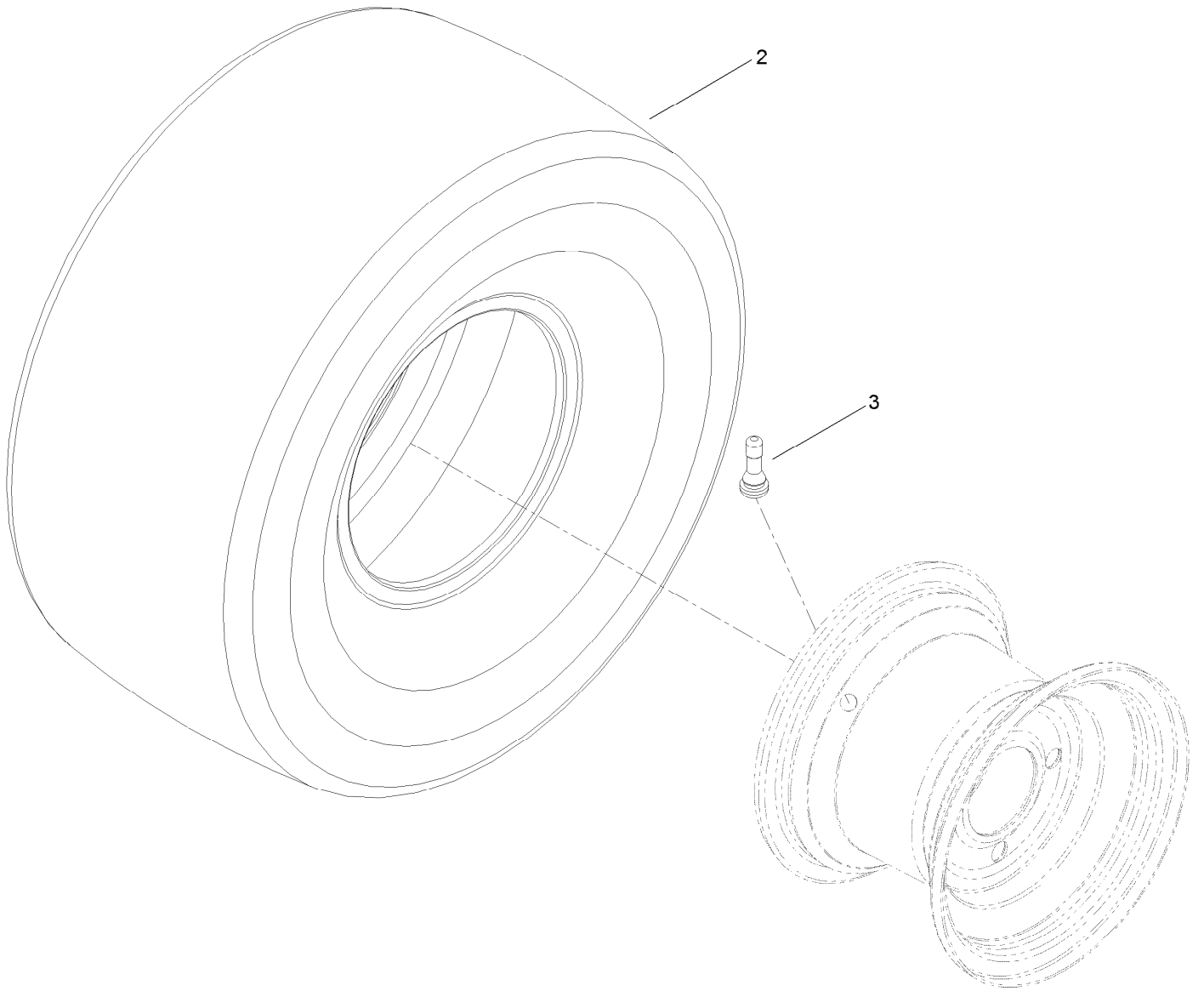
Steering Assembly (continued)

<i>Ref.</i>	<i>Part Number</i>	<i>Qty.</i>	<i>Description</i>	<i>Ref.</i>	<i>Part Number</i>	<i>Qty.</i>	<i>Description</i>
1	131-1070	1	Shroud	8	131-1029-03	1	Support-Footrest
2	131-1028	1	Cover-Pivot, Column	9	32144-4	3	Screw-HWH
3	131-1066	1	Cap-Column	10	1-513658	1	Bumper
4	131-4099	1	Rear Cover And Decal ASM	12	131-3630	1	Cap-Wheel, Steering
4:2	132-0870	1	Decal-Danger	13	99-5107	1	Nut-Lock
5	107069	2	Clip	14	131-0957	1	Wheel-Steering
7	120-7950	9	Screw-Shoulder				

Hydro Transaxle Assembly (continued)

<i>Ref.</i>	<i>Part Number</i>	<i>Qty.</i>	<i>Description</i>	<i>Ref.</i>	<i>Part Number</i>	<i>Qty.</i>	<i>Description</i>
1	119-3331	1	RH Hydro Transaxle ASM	21	119-3339-03	1	Plate-Cross, Hydro
2	119-3330	1	LH Hydro Transaxle ASM	22	3234-29	4	Screw-HHF
4	322-11	4	Screw-HH	23	3290-307	2	Pin-Cotter
5	322-13	4	Screw-HH	24	130-7049	1	Rod-Bypass, RH
6	104-8300	12	Nut-Flange, NI	26	3296-48	6	Nut-Lock, NI
16	119-3422	2	4 Ply Wheel And Tire ASM	27	3256-25	6	Washer-Flat
16	131-3670	2	2 Ply Tire And Wheel ASM	28	324-8	2	Screw-HH
17	242-50	8	Nut-Lug	29	119-8952	2	Washer
18	117-7264-03	2	Mount-Hydro	30	3256-23	6	Washer-Flat
19	131-0900	1	Rod-Bypass, LH	31	131-1098-03	1	Guard-Rear, Wide
20	324-10	4	Screw-HH				

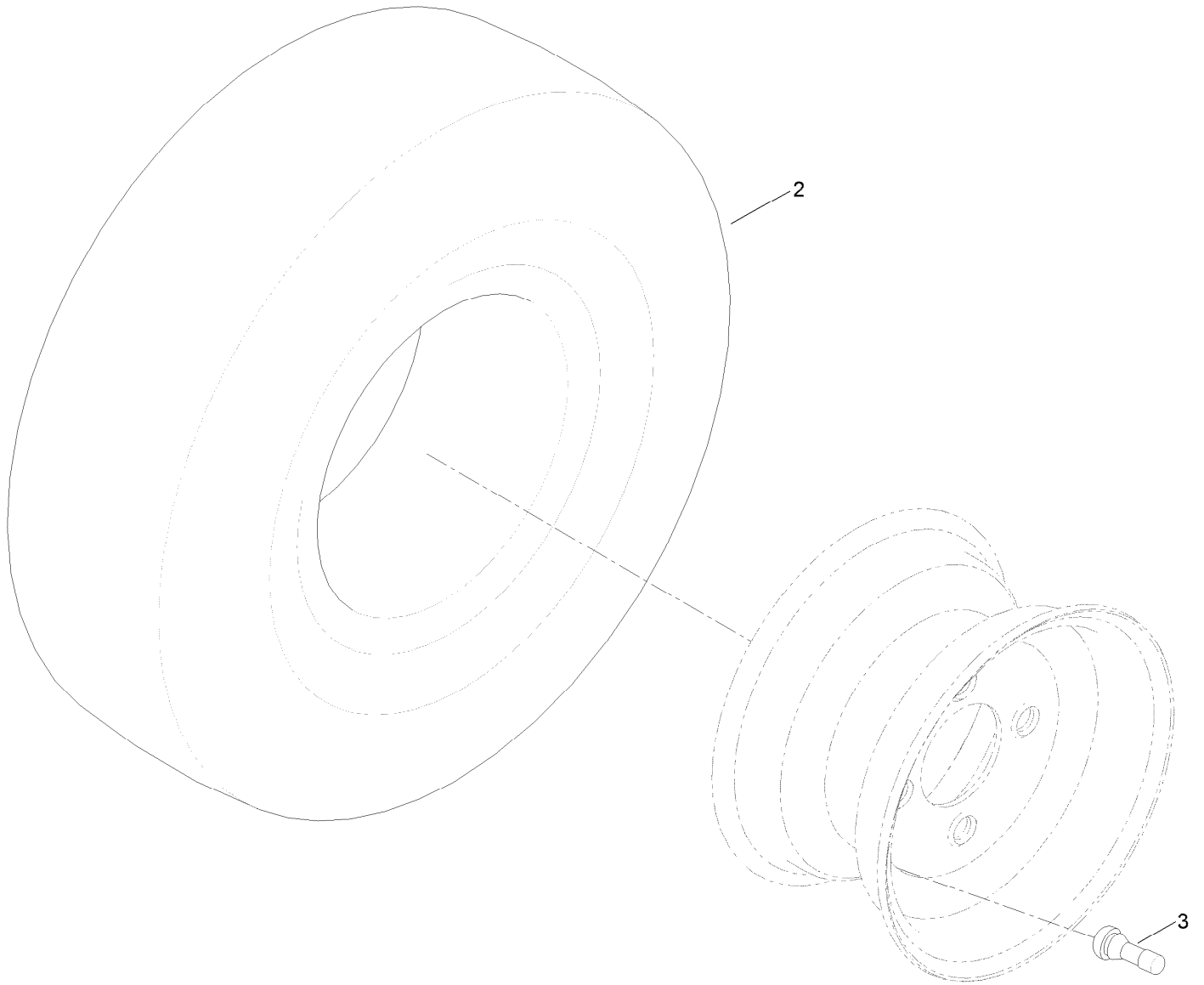
4 Ply Wheel and Tire Assembly No. 119-3422



4 Ply Wheel and Tire Assembly No. 119-3422 (continued)

<i>Ref.</i>	<i>Part Number</i>	<i>Qty.</i>	<i>Description</i>
2	119-3421	1	Tire-4 Ply
3	232-27	1	Stem-Valve

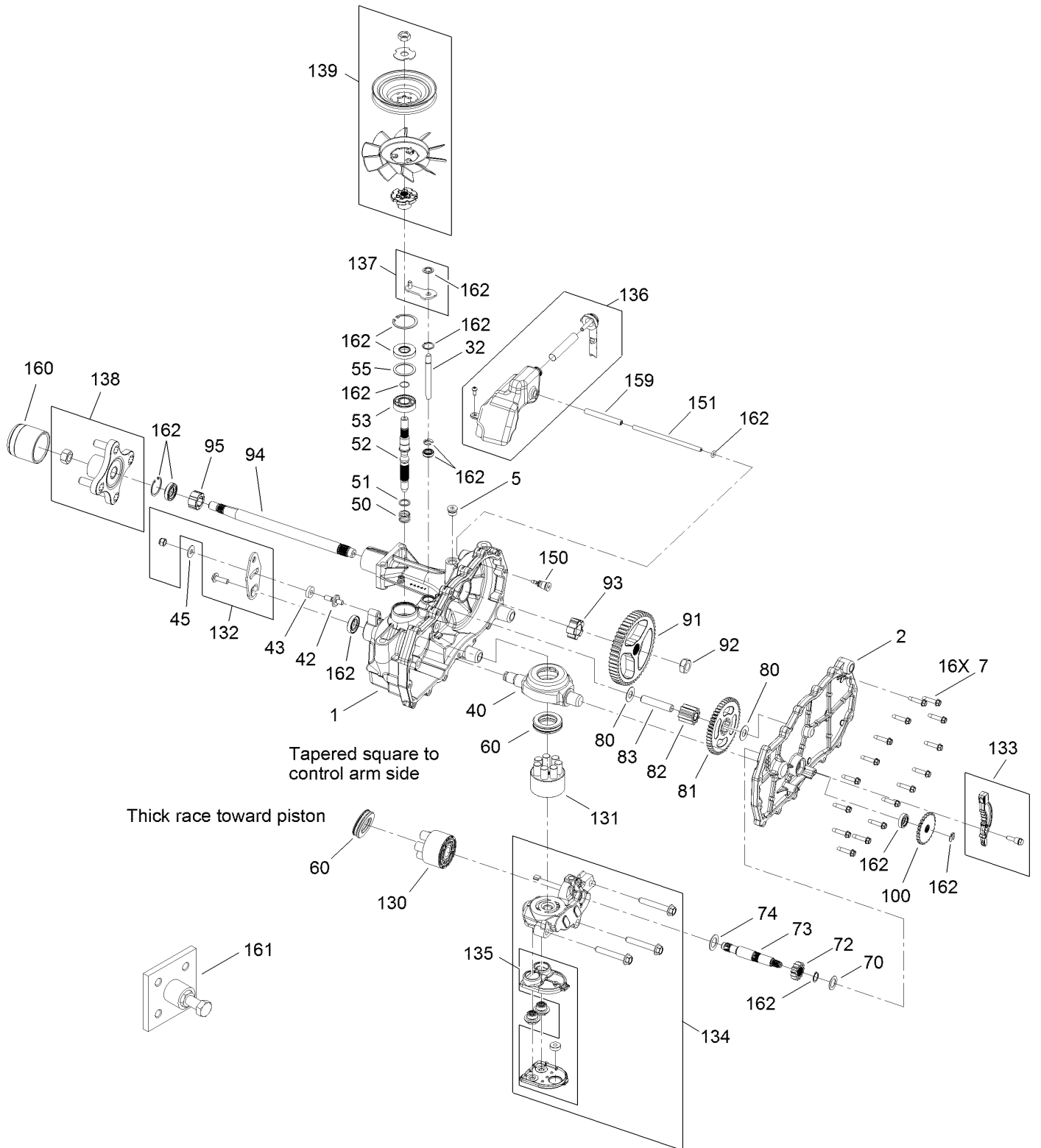
2 Ply Wheel and Tire Assembly No. 131-3670



2 Ply Wheel and Tire Assembly No. 131-3670 (continued)

<i>Ref.</i>	<i>Part Number</i>	<i>Qty.</i>	<i>Description</i>
2	131-3677	1	Tire-2 Ply
3	232-27	1	Stem-Valve

Left Hand Hydro Transaxle Assembly No. 119-3330

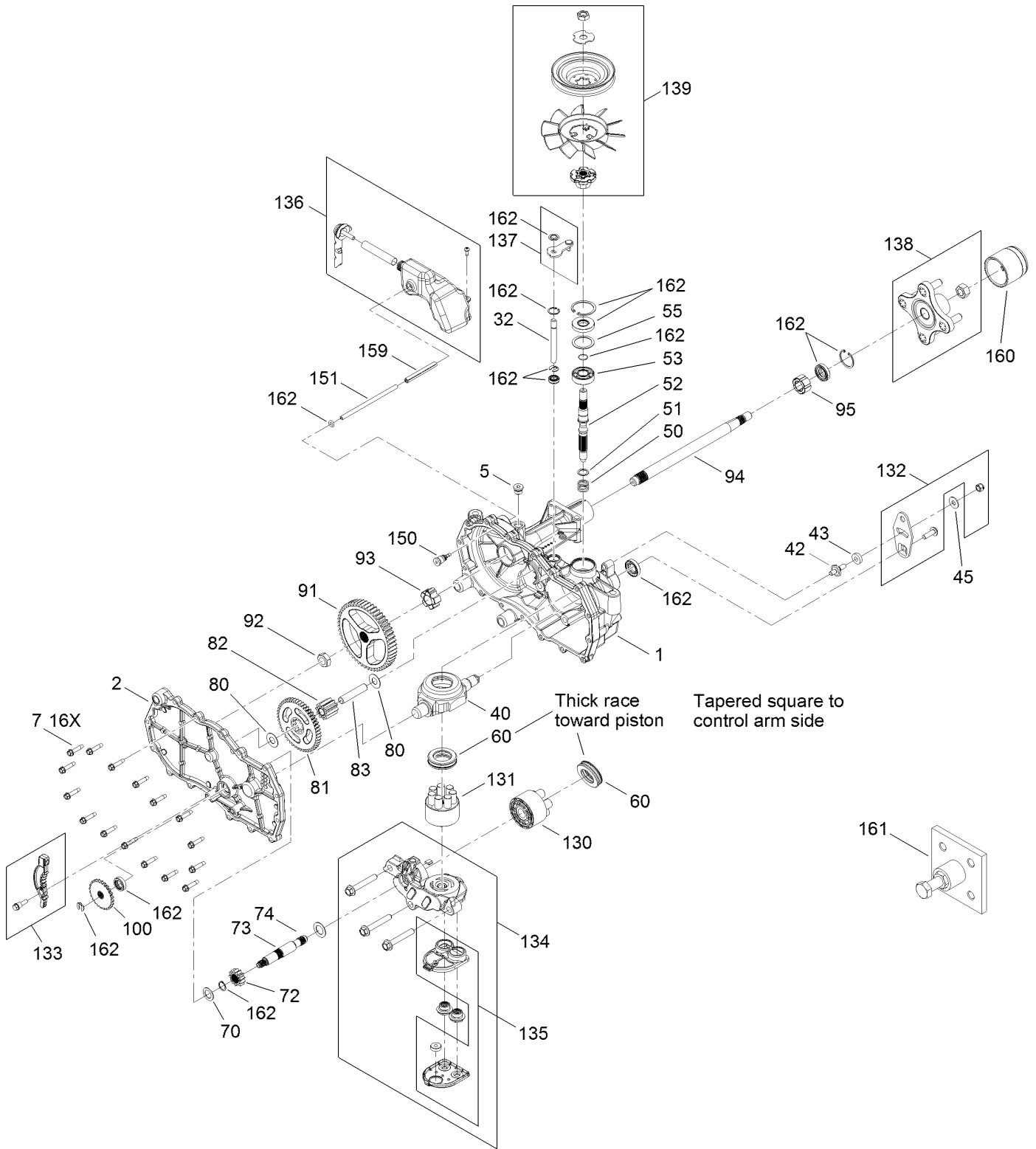


Left Hand Hydro Transaxle Assembly No. 119-3330 (continued)

<i>Ref.</i>	<i>Part Number</i>	<i>Qty.</i>	<i>Description</i>	<i>Ref.</i>	<i>Part Number</i>	<i>Qty.</i>	<i>Description</i>
1	120-5532	1	Main Housing ASM	83	104-5329	1	Pin-Jackshaft
2	120-5534	1	Housing Side Kit	91	120-5539	1	Gear-Bull
5	104-2189	1	Plug-Thread, Straight	92	104-2142	1	Nut-HJ
7	117-5359	16	Screw-HHF	93	115-8314	1	Bushing-Inboard
13	104-2147	1	Sealant ●	94	120-5540	1	Shaft-Axle
32	106-8678	2	Rod-Bypass	95	120-5541	1	Bearing-Sleeve
40	104-5304	1	Swashplate-Trunnion	100	106-8694	1	Disc-Brake, Cog
42	104-2116	1	Stud	130	103-2666	1	Cylinder Block Kit
43	112-9853	1	Puck-Friction	131	110-8561	1	Pump Block ASM
45	114-8491	1	Washer	132	117-5362	1	Arm Control Kit
50	120-5537	1	Spring-Compression	133	106-8688	1	Brake Arm Kit
51	120-5538	1	Washer	134	112-9861	1	Center Section Filter Kit
52	104-5306	1	Shaft-Input	135	114-1634	1	Filter Kit
53	104-5311	1	Bearing-Ball	136	121-5730	1	RH Expansion Tank Kit
55	104-5308	1	Spacer	137	120-5549	1	Bypass Kit
60	94-6922	1	Bearing-Thrust	138	121-5731	1	Hub Kit
70	104-5339	1	Washer-Flat	139	121-5729	1	Fan Pulley Kit
72	104-5316	1	Gear-Pinion, 13T	150	104-5349	1	Fitting-Sae
73	106-8683	1	Shaft-Motor	151	115-8302	1	Hose
74	104-5360	1	Washer	159	121-5728	1	Case-Tube
80	119-5541	2	Washer	160	125-0041	1	Cap-Axle
81	104-5317	1	Gear-10T/48T	161	114-8467	1	Hub-Puller, 4 Bolt
82	104-5318	1	Gear-Jackshaft, 10T	162	120-7103	1	Seal And Ring Kit

● Not illustrated

Right Hand Hydro Transaxle Assembly No. 119-3331

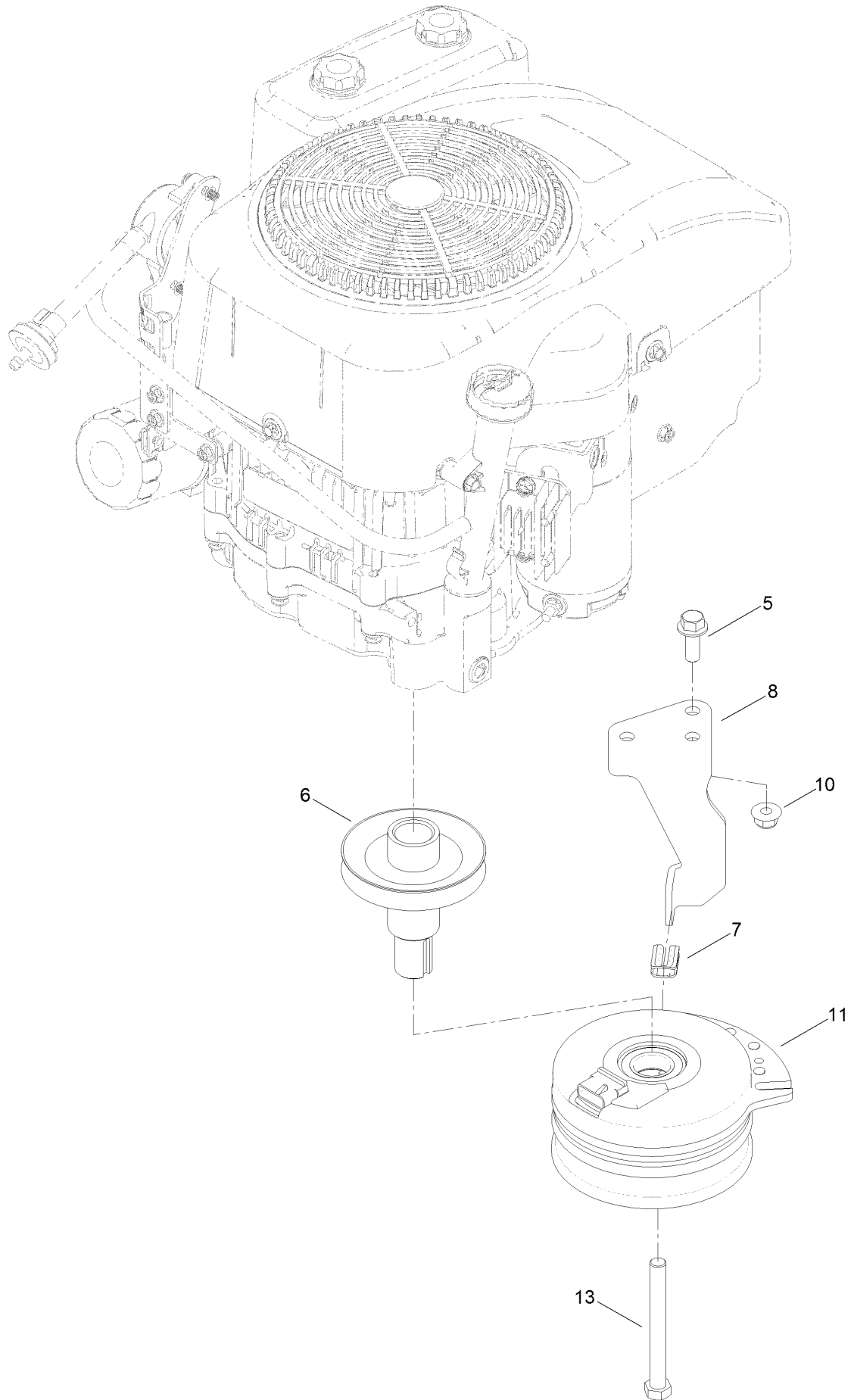


Right Hand Hydro Transaxle Assembly No. 119-3331 (continued)

<i>Ref.</i>	<i>Part Number</i>	<i>Qty.</i>	<i>Description</i>	<i>Ref.</i>	<i>Part Number</i>	<i>Qty.</i>	<i>Description</i>
1	120-5531	1	Main Housing ASM	83	104-5329	1	Pin-Jackshaft
2	120-5533	1	Housing Side Kit	91	120-5539	1	Gear-Bull
5	104-2189	1	Plug-Thread, Straight	92	104-2142	1	Nut-HJ
7	117-5359	16	Screw-HHF	93	115-8314	1	Bushing-Inboard
13	104-2147	1	Sealant ●	94	120-5540	1	Shaft-Axle
32	106-8678	2	Rod-Bypass	95	120-5541	1	Bearing-Sleeve
40	104-5304	1	Swashplate-Trunnion	100	106-8694	1	Disc-Brake, Cog
42	104-2116	1	Stud	130	103-2666	1	Cylinder Block Kit
43	112-9853	1	Puck-Friction	131	110-8561	1	Pump Block ASM
45	114-8491	1	Washer	132	117-5362	1	Arm Control Kit
50	120-5537	1	Spring-Compression	133	106-8688	1	Brake Arm Kit
51	120-5538	1	Washer	134	112-9862	1	Center Section Filter Kit
52	104-5306	1	Shaft-Input	135	114-1634	1	Filter Kit
53	104-5311	1	Bearing-Ball	136	121-5735	1	LH Expansion Tank Kit
55	104-5308	1	Spacer	137	107-2489	1	Bypass Arm Kit
60	94-6922	1	Bearing-Thrust	138	121-5731	1	Hub Kit
70	104-5339	1	Washer-Flat	139	121-5729	1	Fan Pulley Kit
72	104-5316	1	Gear-Pinion, 13T	150	104-5349	1	Fitting-Sae
73	106-8683	1	Shaft-Motor	151	115-8302	1	Hose
74	104-5360	1	Washer	159	121-5728	1	Case-Tube
80	119-5541	2	Washer	160	125-0041	1	Cap-Axle
81	104-5317	1	Gear-10T/48T	161	114-8467	1	Hub-Puller, 4 Bolt
82	104-5318	1	Gear-Jackshaft, 10T	162	120-7103	1	Seal And Ring Kit

● Not illustrated

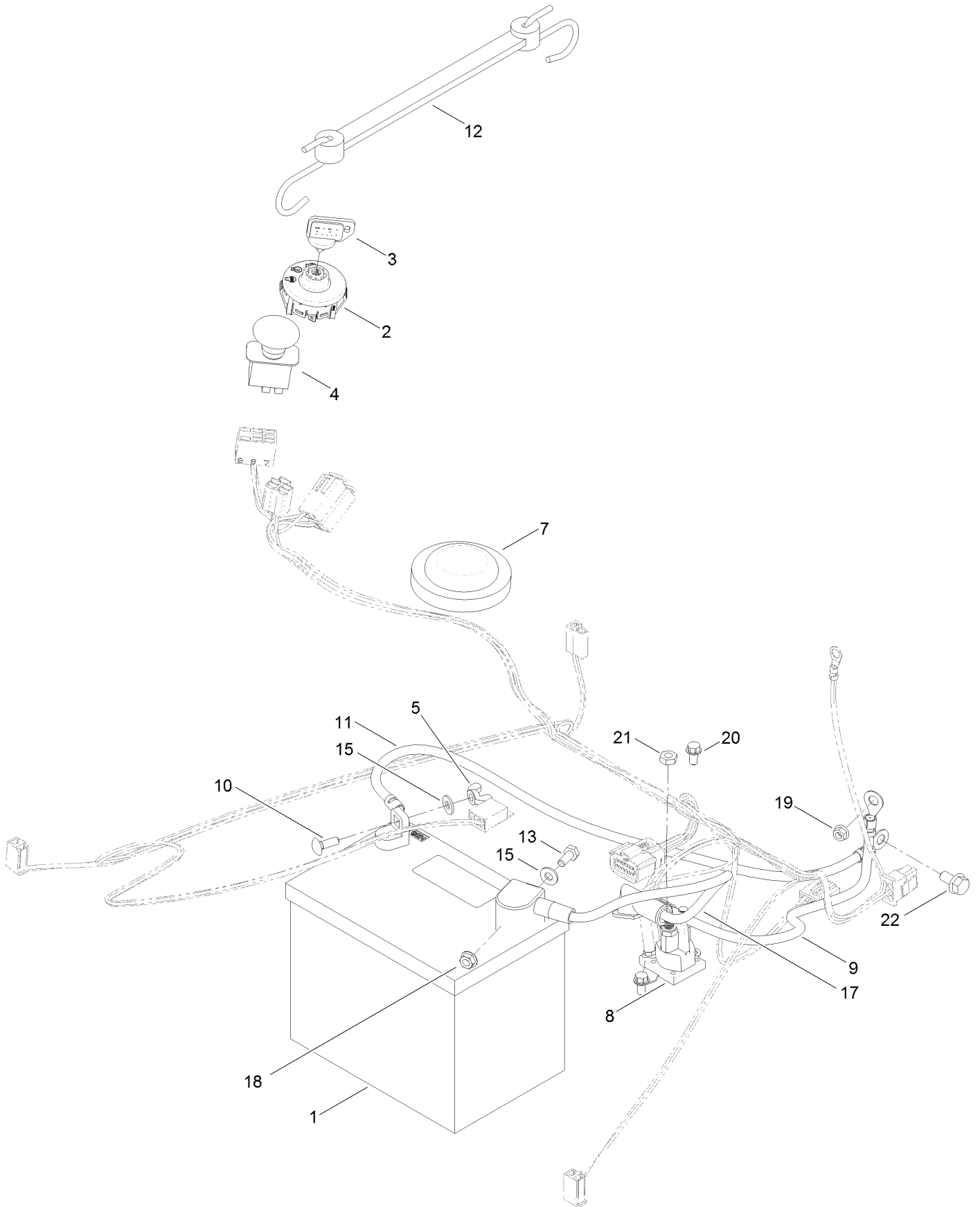
Clutch Assembly



Clutch Assembly (continued)

<i>Ref.</i>	<i>Part Number</i>	<i>Qty.</i>	<i>Description</i>	<i>Ref.</i>	<i>Part Number</i>	<i>Qty.</i>	<i>Description</i>
5	3234-42	1	Screw-HHF	10	104-8301	1	Nut-Flange, NI
6	119-3318	1	Pulley-Engine	11	125-0038	1	Clutch-Electric
7	120-2217	1	Isolator-Clutch	13	3212-16	1	Screw-HH
8	119-8884	1	Stop-Clutch				

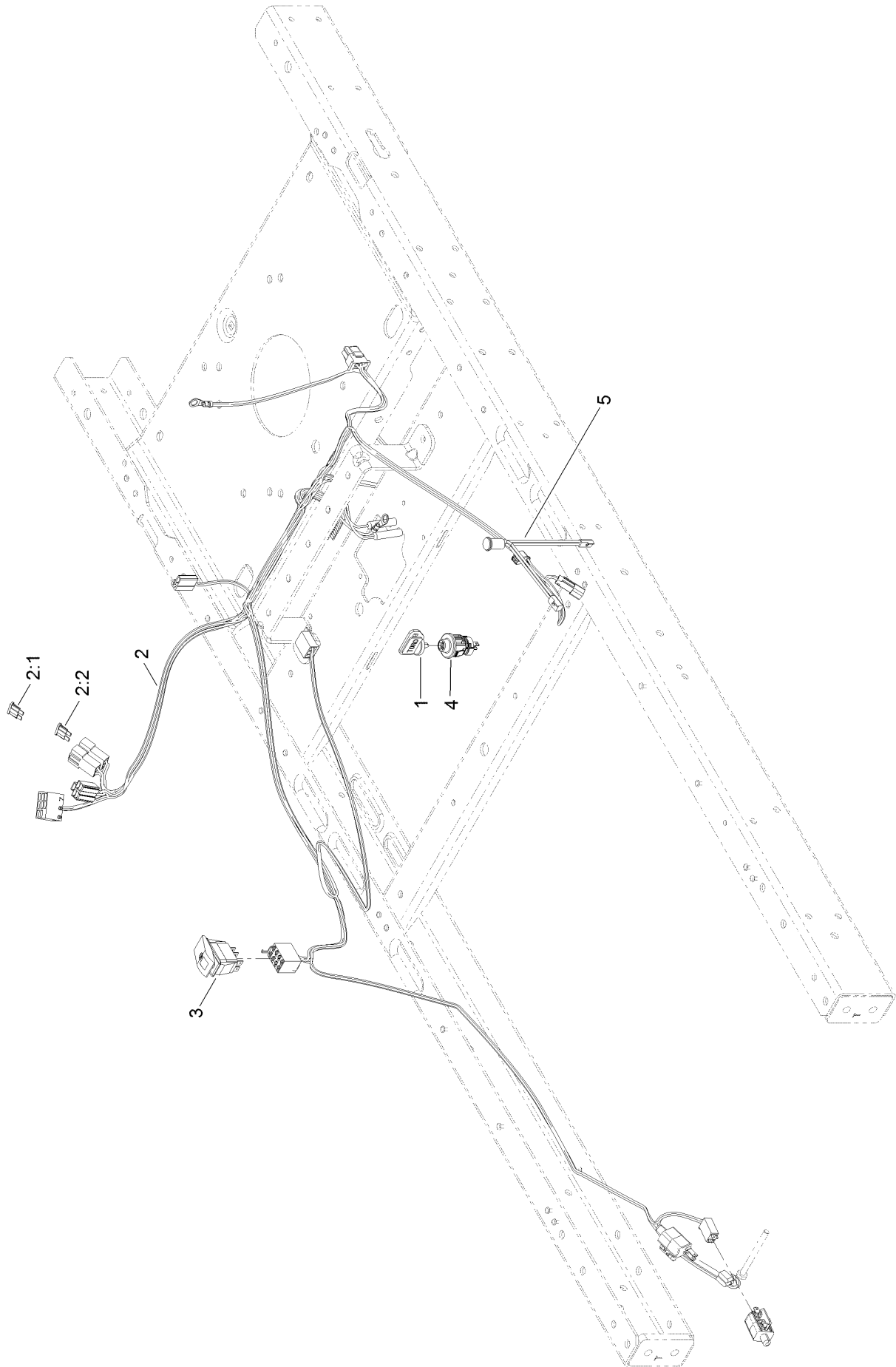
Battery and Electrical Assembly



Battery and Electrical Assembly (continued)

<i>Ref.</i>	<i>Part Number</i>	<i>Qty.</i>	<i>Description</i>	<i>Ref.</i>	<i>Part Number</i>	<i>Qty.</i>	<i>Description</i>
1	105-1692	1	Battery-Dry	12	104-2466	1	Holddown-Battery
2	117-2221	1	Switch-Ignition	13	321-3	1	Screw-HH
3	63-8360	1	Key-Ignition	15	3256-22	2	Washer-Flat
4	114-0279	1	Switch-PTO	17	119-8897	1	Cable-Battery, Red
5	32103-22	1	Nut-Wing	18	32128-33	1	Nut-HF
7	100-3524	1	Switch-Seat	19	33003-00	1	Nut-HF
8	117-1197	1	Solenoid	20	32144-4	2	Screw-HWH
9	121-0711	1	Cable-Battery, Positive	21	3220-2	2	Nut-Jam
10	3229-1	1	Bolt-CARR	22	3234-14	1	Screw-HHF
11	119-8899	1	Cable-Battery, Black				

Wire Harness Assembly

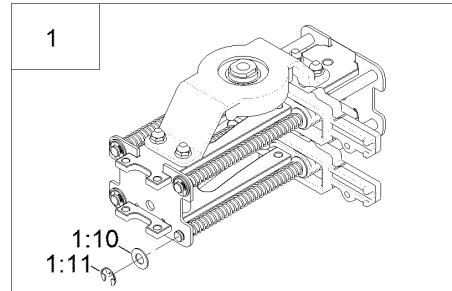
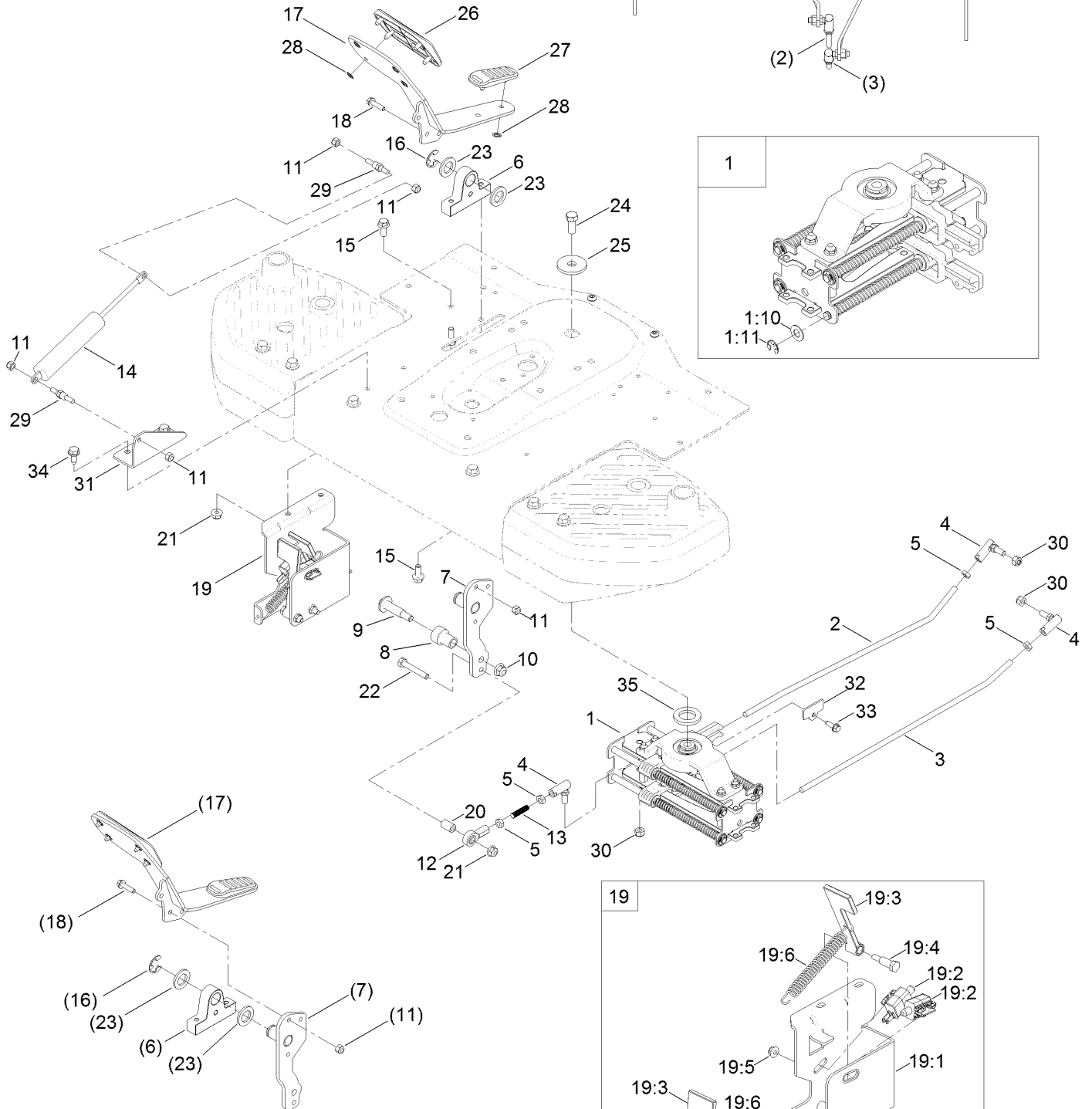
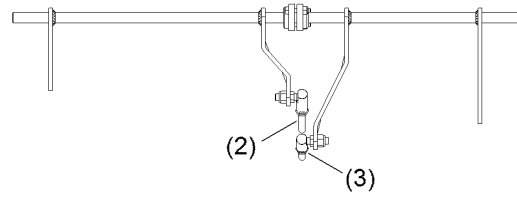


Wire Harness Assembly (continued)

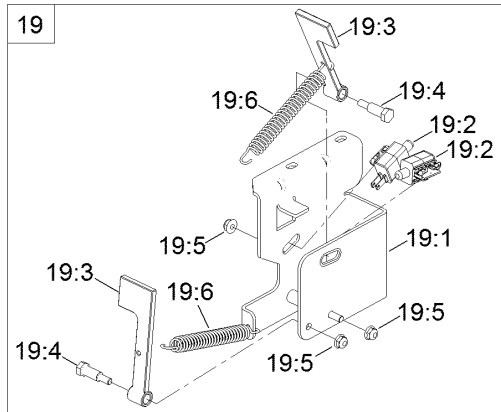
<i>Ref.</i>	<i>Part Number</i>	<i>Qty.</i>	<i>Description</i>	<i>Ref.</i>	<i>Part Number</i>	<i>Qty.</i>	<i>Description</i>
1	131-3639	1	Key-Toro	3	130-6874	1	Switch-Rocker, (On)-Off-(On)
2	130-6918	1	Harness-Wire	4	119-3068	1	Switch-Momentary, N.O.
2:1	109103	1	Fuse-Blade, 30 Amp	5	131-4136	1	Light-Indicator
2:2	109102	1	Fuse-Blade, 25 Amp				

Speed Control Assembly

BALLJOINT ORIENTATION
REAR VIEW



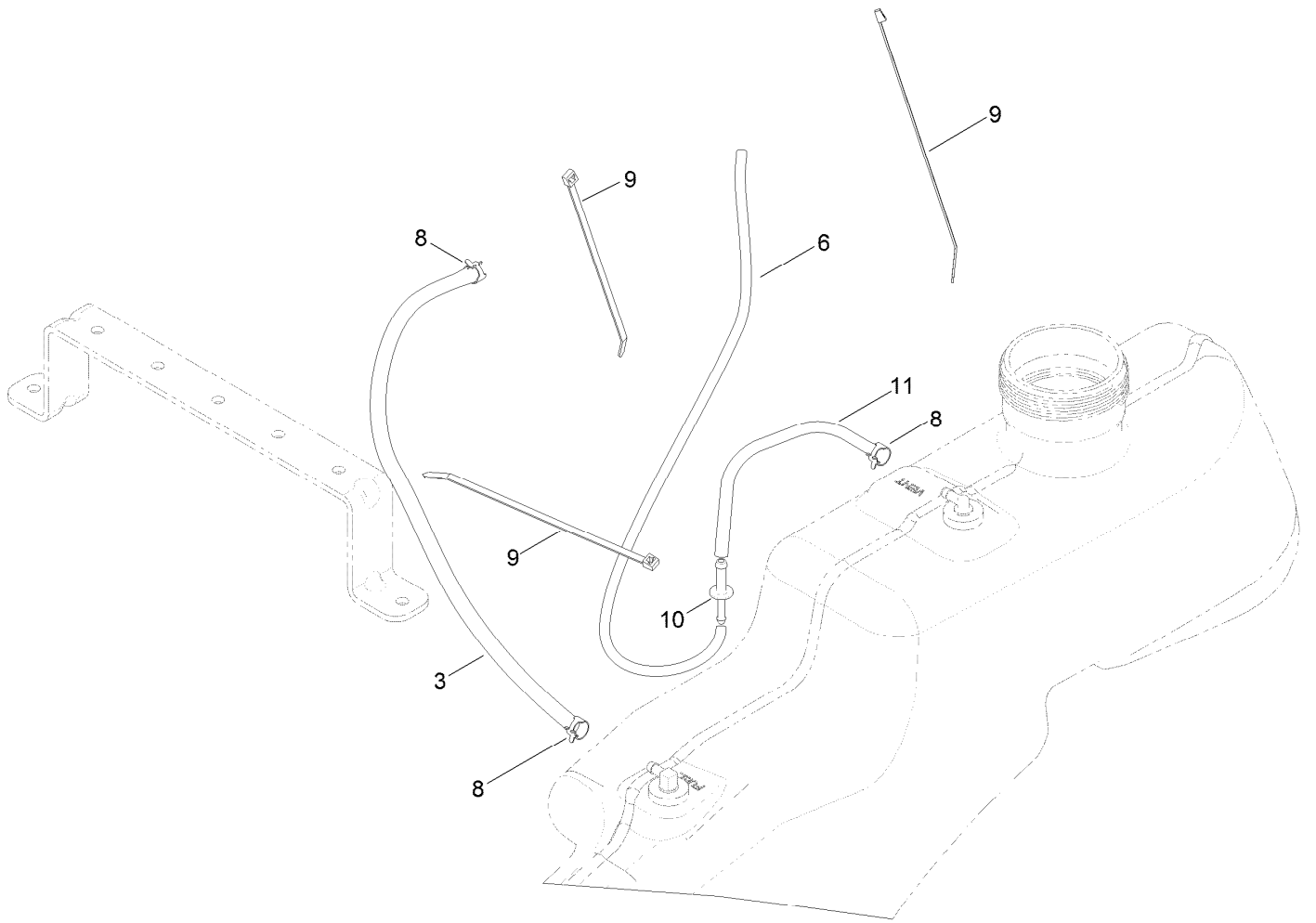
FOOT PEDAL ASSEMBLY



Speed Control Assembly (continued)

<i>Ref.</i>	<i>Part Number</i>	<i>Qty.</i>	<i>Description</i>	<i>Ref.</i>	<i>Part Number</i>	<i>Qty.</i>	<i>Description</i>
1	131-0904	1	Speed Control ASM	19:2	110-6765	2	Switch
1:10	131-8667	12	Washer-Thrust	19:3	130-0782	2	Arm-Switch
1:11	32120-18	8	E-Ring	19:4	119-2309	2	Bolt-Shoulder
2	127-0115	1	Rod-Hydro, RH	19:5	104-7201	3	Nut-Flange, NI
3	127-0116	1	Rod-Hydro, LH	19:6	120-7027	2	Spring-Extension
4	2411-33	3	Balljoint-RH (W/Grommet)	20	131-1034	1	Spacer
5	3220-2	4	Nut-Jam	21	104-8300	3	Nut-Flange, NI
6	130-6887	1	Mount-Pedal Pivot	22	322-10	1	Screw-HH
7	125-5517	1	Pivot Lever ASM	23	70-1160	2	Washer
8	127-3397	1	Roller	24	324-4	1	Screw-HH
9	56-6590	1	Bolt-Wheel	25	84-1560	1	Washer-Thrust
10	104-8301	1	Nut-Flange, NI	26	98-9040	1	Pad-Toe, Hydro Pedal
11	3296-42	6	Nut-Lock, NI	27	98-9039	1	Pad-Heel, Hydro Pedal
12	1-543017	1	Balljoint-RH	28	32112-6	6	Nut-Push
13	130-6906	1	Rod-Threaded	29	110-6810	2	Stud-Damper
14	131-0958	1	Damper-Non Cavitating	30	3296-4	3	Nut-Lock
15	3234-47	4	Screw-HHF	31	130-6910-03	1	Bracket-Damper
16	32151-48	1	E-Ring	32	131-1041	2	Cover-End Rod
17	125-3065-01	1	Traction Pedal ASM	33	32144-44	2	Screw-HWH, Thread Roll
18	120-4654	2	Screw-HHF	34	32144-70	2	Screw-HWHTF
19	131-0903	1	Neutral Return ASM	35	131-8736	1	Spacer-Bearing
19:1	130-0787-03	1	Bracket-Switch				

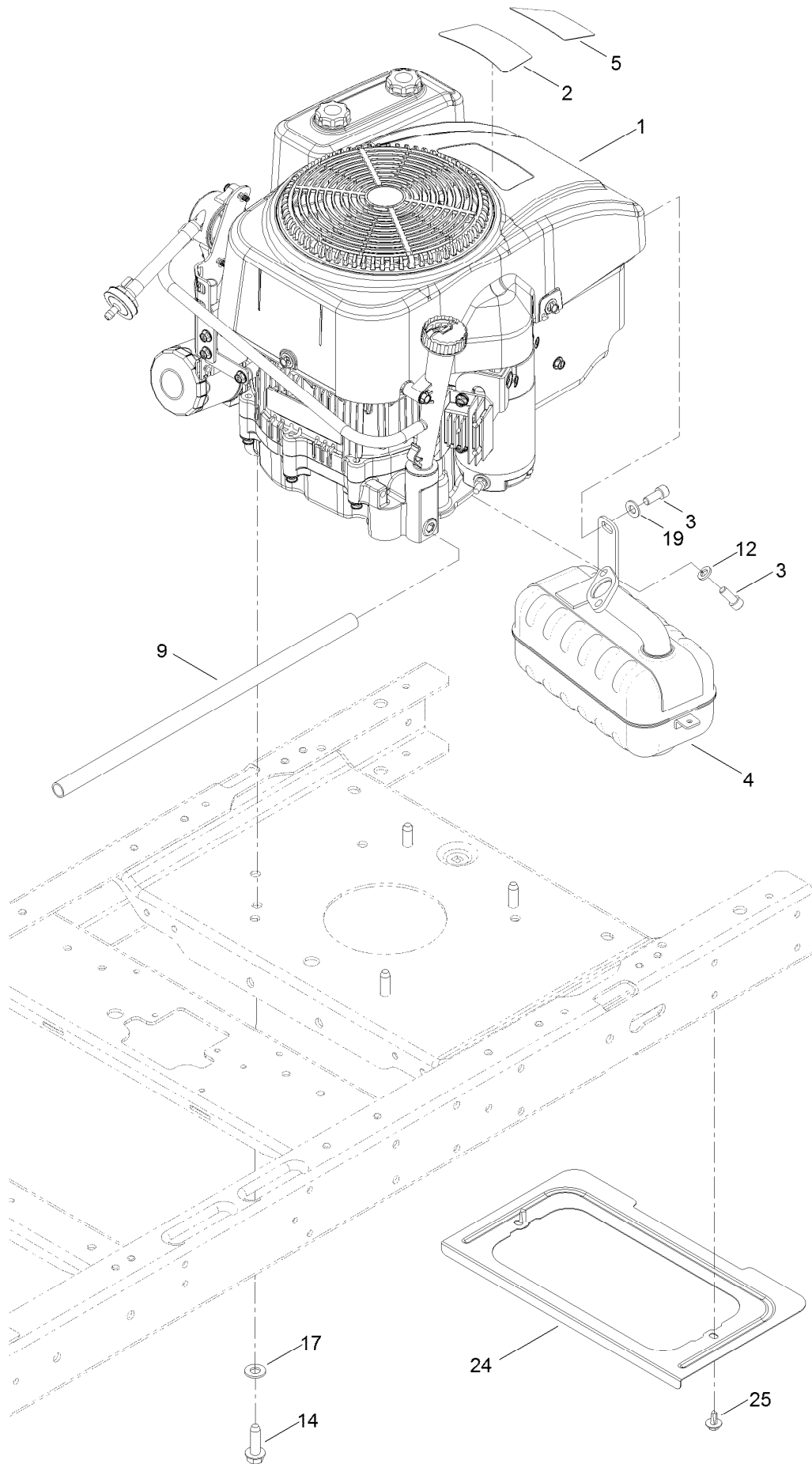
Fuel Delivery Assembly



Fuel Delivery Assembly (continued)

<i>Ref.</i>	<i>Part Number</i>	<i>Qty.</i>	<i>Description</i>	<i>Ref.</i>	<i>Part Number</i>	<i>Qty.</i>	<i>Description</i>
3	109-0307	1	Hose-Fuel	9	614249	3	Tie-Cable
6	110-3254	1	Hose-Fuel	10	117-5399	1	Adaptor-Orifice
8	2412-98	3	Clamp-Hose	11	110-1876	1	Hose-Fuel

Engine and Blade Assembly



Engine and Blade Assembly (continued)

<i>Ref.</i>	<i>Part Number</i>	<i>Qty.</i>	<i>Description</i>	<i>Ref.</i>	<i>Part Number</i>	<i>Qty.</i>	<i>Description</i>
1	127-9358	1	Engine-1P92F-1	12	3253-4	2	Washer-Lock
2	125-1700	1	Decal-Engine	14	32144-109	4	Screw-Taptite
3	3274-10	3	Screw-HSH	17	3256-24	3	Washer-Flat
4	117-7412	1	Muffler	19	3256-23	1	Washer-Flat
5	130-0682	1	Decal-Engine Displacement	24	131-1071-03	1	Shield-Heat
9	106-7022	1	Tube-Drain, Oil	25	46-8560	2	Screw-HHFTF

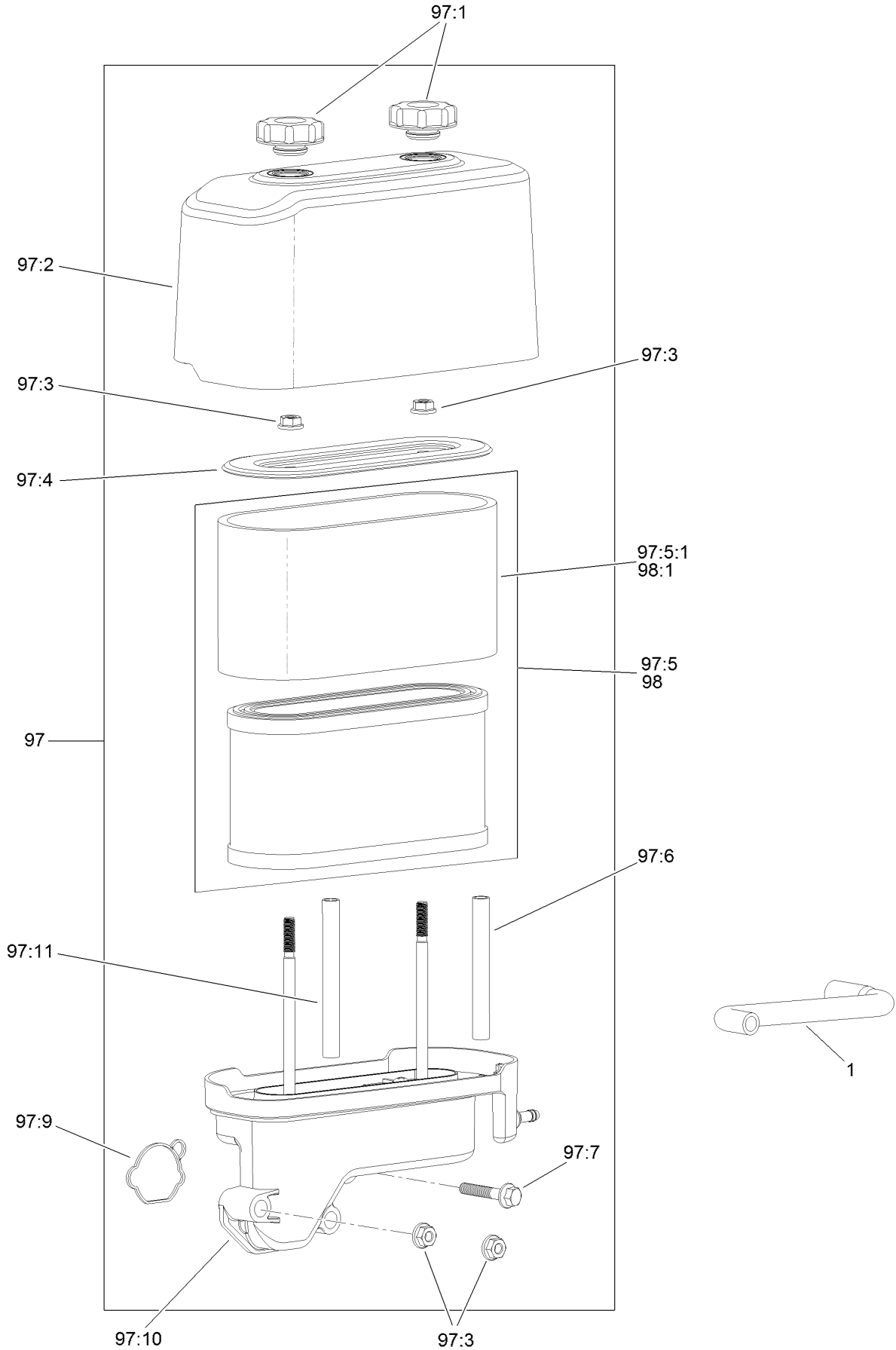
Fuel System

Engine Assembly No. 127-9358 (continued)

<i>Ref.</i>	<i>Part Number</i>	<i>Qty.</i>	<i>Description</i>	<i>Ref.</i>	<i>Part Number</i>	<i>Qty.</i>	<i>Description</i>
1	127-9204	1	Filter-Fuel	14	120-4202	2	Stud-Mount, Carburetor
2	120-4251	4	Clamp-Fuel Line	15	120-4248	1	Shield-Heat
3	120-4371	1	Line-Fuel	16	120-4216	1	Screw-HHF
4	120-4353	1	Pump-Pulse, Fuel	96	127-9194	1	Carb Repair Kit With Gaskets
5	120-4232	2	Screw-HHF	97	127-9190	1	Solenoid Kit
6	121-0114	2	Clamp-Hose	98	127-9183	1	Carburetor Kit
7	120-4372	1	Line-Pulse	98:5	127-9185	1	Gasket-Carburetor
8	120-4287	1	Clamp-J	98:6	120-4247	2	Gasket-Carburetor
9	120-4217	1	Screw-Shoulder, HH	98:7	120-4250	1	Gasket-Carburetor
10	120-4370	1	Line-Fuel	99	127-9362	1	High Altitude Kit (1P92)●
11	120-4249	1	Insulator-Carburetor				

● Not illustrated

Air Intake and Filtration Assembly Engine Assembly No. 127-9358

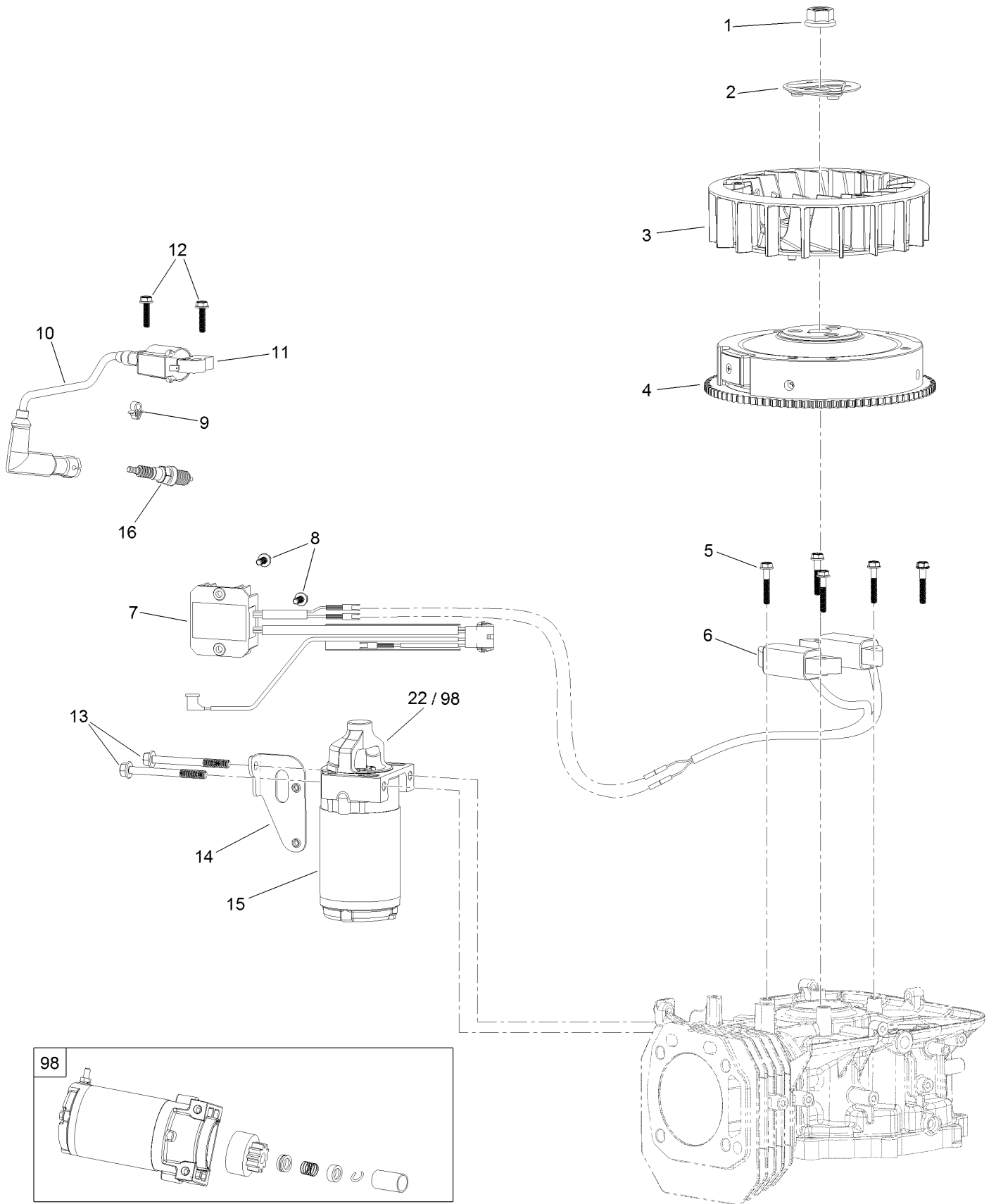


Air Intake and Filtration Assembly Engine Assembly No. 127-9358 (continued)

<i>Ref.</i>	<i>Part Number</i>	<i>Qty.</i>	<i>Description</i>
1	120-4255	1	Tube-Breather
97	127-9186	1	Air Cleaner Kit
97:1	120-4312	2	Nut-Speed
97:2	120-4311	1	Cover-Filter, Air
97:3	120-4236	4	Nut-Flange
97:4	120-4310	1	Retainer-Air Filter
97:5	127-9193	1	Air Filter Kit
97:5:1	120-4309	1	Prefilter

<i>Ref.</i>	<i>Part Number</i>	<i>Qty.</i>	<i>Description</i>
97:6	120-4333	1	Spacer-Filter, Air
97:7	120-4284	1	Screw-HHF
97:9	127-9185	1	Gasket-Carburetor
97:10	127-9191	1	Base-Filter, Air
97:11	120-4334	1	Spacer-Filter, Air
98	127-9193	1	Air Filter Kit
98:1	120-4309	1	Prefilter

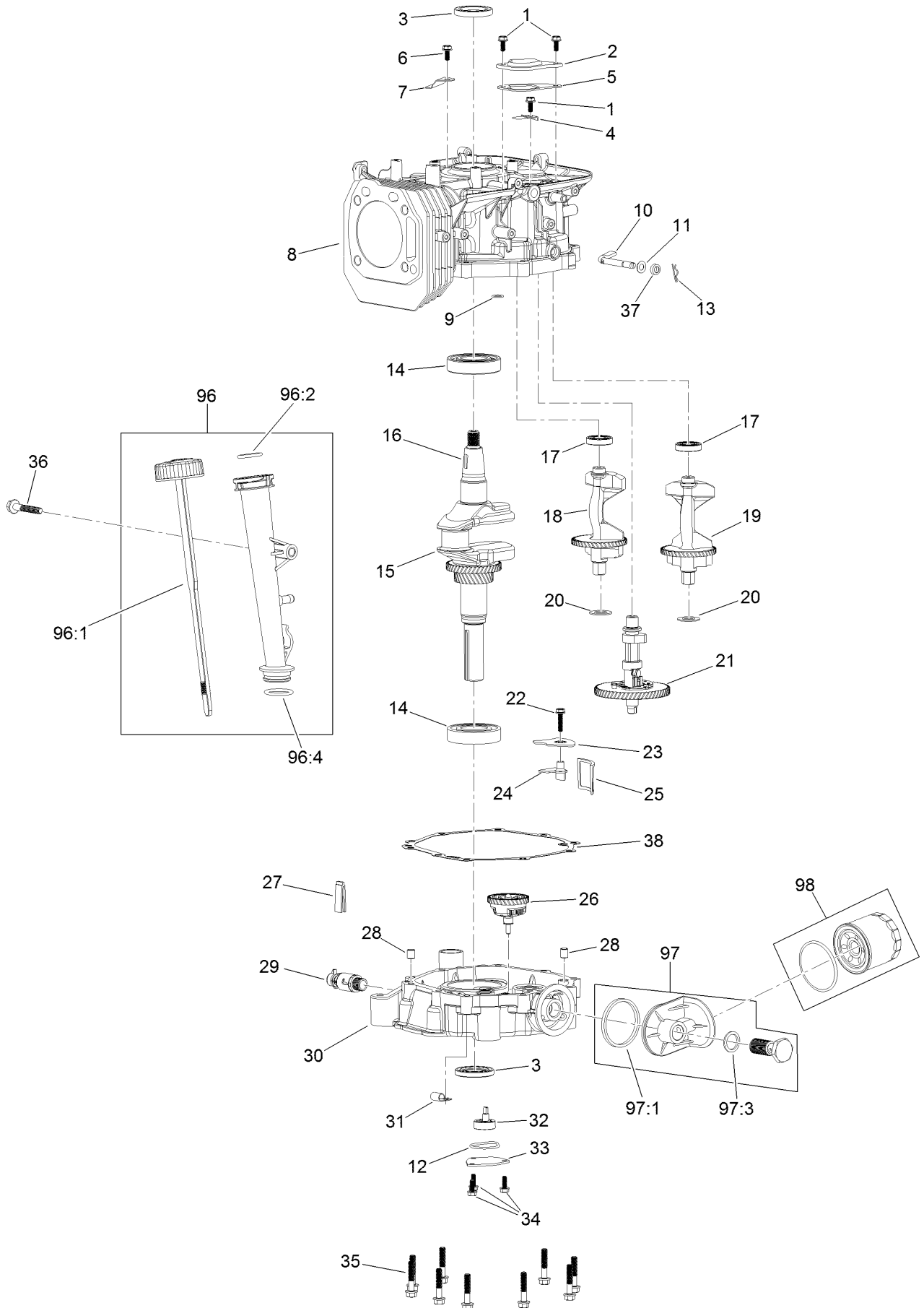
Ignition and Electrical Assembly Engine Assembly No. 127-9358



Ignition and Electrical Assembly Engine Assembly No. 127-9358 (continued)

<i>Ref.</i>	<i>Part Number</i>	<i>Qty.</i>	<i>Description</i>	<i>Ref.</i>	<i>Part Number</i>	<i>Qty.</i>	<i>Description</i>
1	120-4213	1	Nut-Flange	10	120-4226	1	Boot-Plug, Spark
2	120-4212	1	Pulley-Starter	11	127-9177	1	Ignition Coil ASM
3	120-4211	1	Fan-Cooling	12	120-4225	2	Screw-HHF
4	120-4399	1	Flywheel	13	120-4231	2	Screw-HHF
5	120-4223	4	Screw-HHF	14	120-4230	1	Bracket-Starter
6	127-9176	1	Alternator	15	120-4339	1	Starter-Electric
7	127-9178	1	Voltage Regulator	16	77-7330	1	Plug-Spark
8	120-4216	3	Screw-HHF	22	120-4398	1	Pinion
9	120-4316	1	Clamp-Wire	98	120-4392	1	Starter Repair Kit

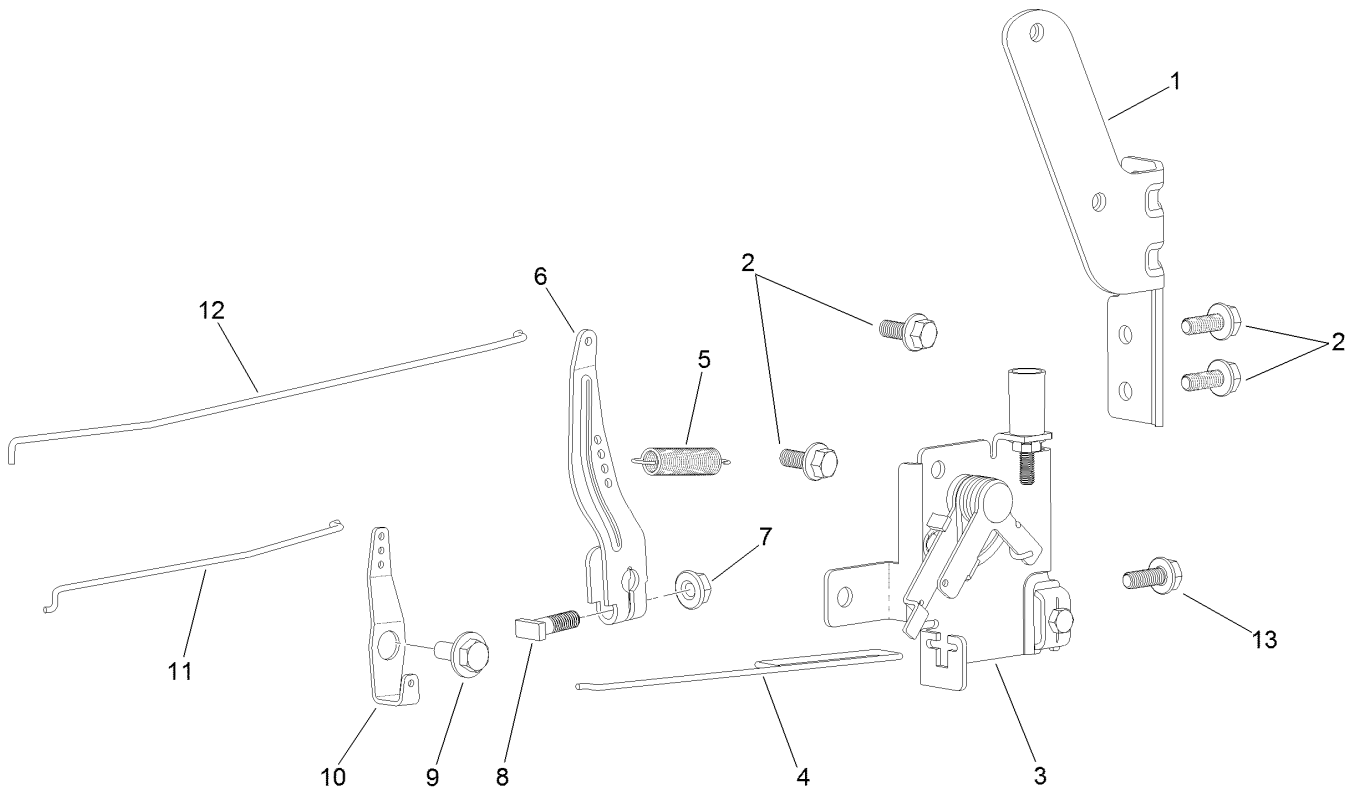
Crankcase Assembly Engine Assembly No. 127-9358



Crankcase Assembly Engine Assembly No. 127-9358 (continued)

<i>Ref.</i>	<i>Part Number</i>	<i>Qty.</i>	<i>Description</i>	<i>Ref.</i>	<i>Part Number</i>	<i>Qty.</i>	<i>Description</i>
1	120-4216	3	Screw-HHF	24	120-4279	1	Plate-Baffle, Oil
2	120-4265	1	Plate-Breather	25	120-4341	1	Strainer-Oil
3	120-4267	2	Seal-Oil	26	120-4338	1	Gear-Governor
4	120-4263	1	Valve-Reed	27	120-4275	1	Deflector-Oil, Rubber
5	120-4264	1	Gasket-Breather	28	120-4274	2	Pin-Dowel
6	120-4234	1	Screw-HHF	29	120-4321	1	Valve-Drain, Oil
7	120-4268	1	Retainer	30	120-4327	1	Cover-Crankcase
8	120-4336	1	Crankcase	31	127-9188	1	Clamp-Hose
9	120-4262	1	O-Ring	32	120-4344	1	Oil Pump ASM
10	120-4382	1	Shaft-Governor	33	120-4270	1	Cover-Pump, Oil
11	120-4258	1	Washer-Plain	34	120-4232	3	Screw-HHF
12	120-4343	1	Seal-Pump, Oil	35	120-4273	10	Screw-HHF
13	120-4256	1	Pin-Hair	36	120-4284	1	Screw-HHF
14	120-4261	2	Bearing-Ball	37	120-4257	1	Seal-Oil
15	120-4293	1	Crankshaft	38	120-4260	1	Gasket-Crankcase
16	120-4320	1	Key-Woodruff	96	120-4355	1	Dipstick And Tube Kit
17	120-4266	2	Bearing-Ball	96:1	120-4350	1	Dipstick ASM
18	127-9179	1	Shaft-Balance, R	96:2	120-4348	1	O-Ring
19	127-9180	1	Shaft-Balance, L	96:4	120-4282	1	O-Ring
20	120-4295	2	Washer	97	120-4363	1	Oil Adaptor Kit
21	120-4297	1	Camshaft	97:1	120-4362	1	Seal-Adaptor, Oil
22	120-4225	1	Screw-HHF	97:3	120-4360	1	Washer-Filter, Oil
23	120-4342	1	Cover-Strainer, Oil	98	120-4276	1	Filter-Oil

Governor Control Assembly Engine Assembly No. 127-9358

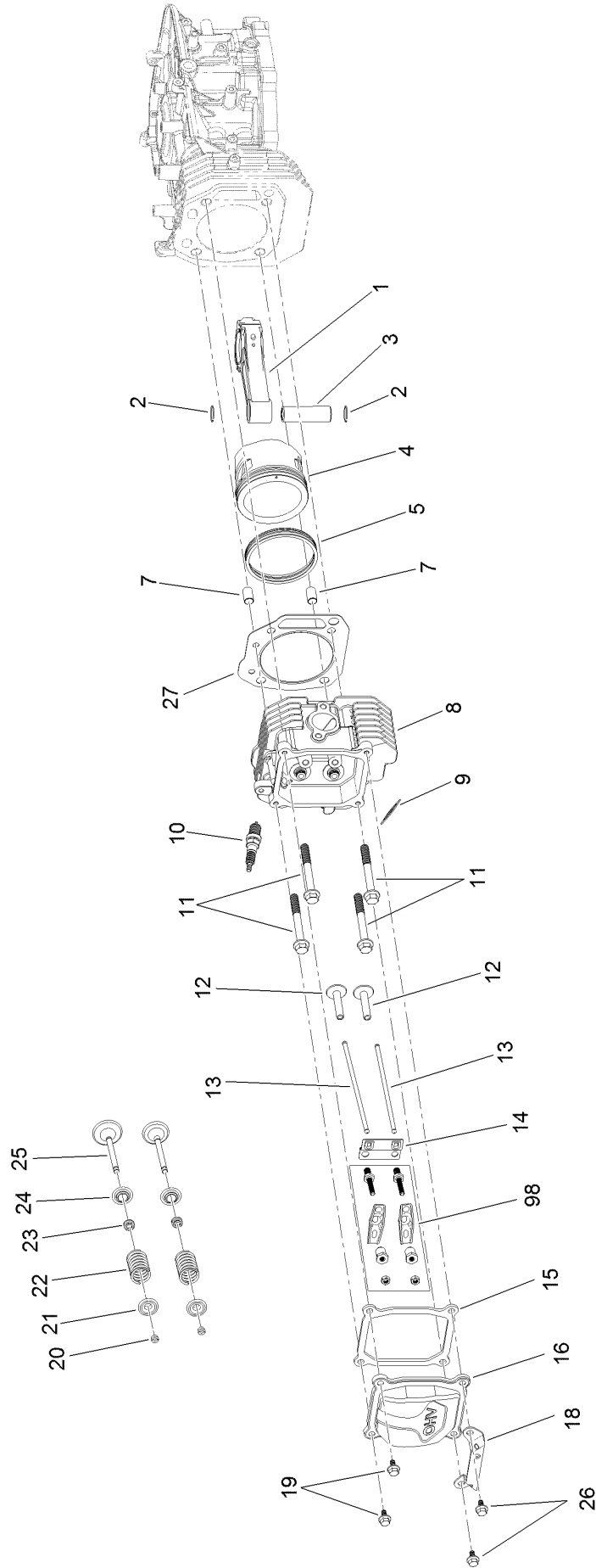


Governor Control Assembly Engine Assembly No. 127-9358 (continued)

<i>Ref.</i>	<i>Part Number</i>	<i>Qty.</i>	<i>Description</i>	<i>Ref.</i>	<i>Part Number</i>	<i>Qty.</i>	<i>Description</i>
1	120-4357	1	Bracket-Pump, Fuel	8	120-4238	1	Bolt-Arm, Governor
2	120-4234	4	Screw-HHF	9	120-4241	1	Screw-Shoulder, HHF
3	120-4358	1	Control-Throttle	10	120-4242	1	Bellcrank-Choke
4	120-4243	1	Rod-Throttle	11	120-4240	1	Rod-Choke
5	120-4337	1	Spring-Governor	12	120-4239	1	Rod-Governor
6	120-4237	1	Arm-Governor	13	120-4232	1	Screw-HHF
7	120-4236	1	Nut-Flange				

Piston and Cylinder Head Assembly

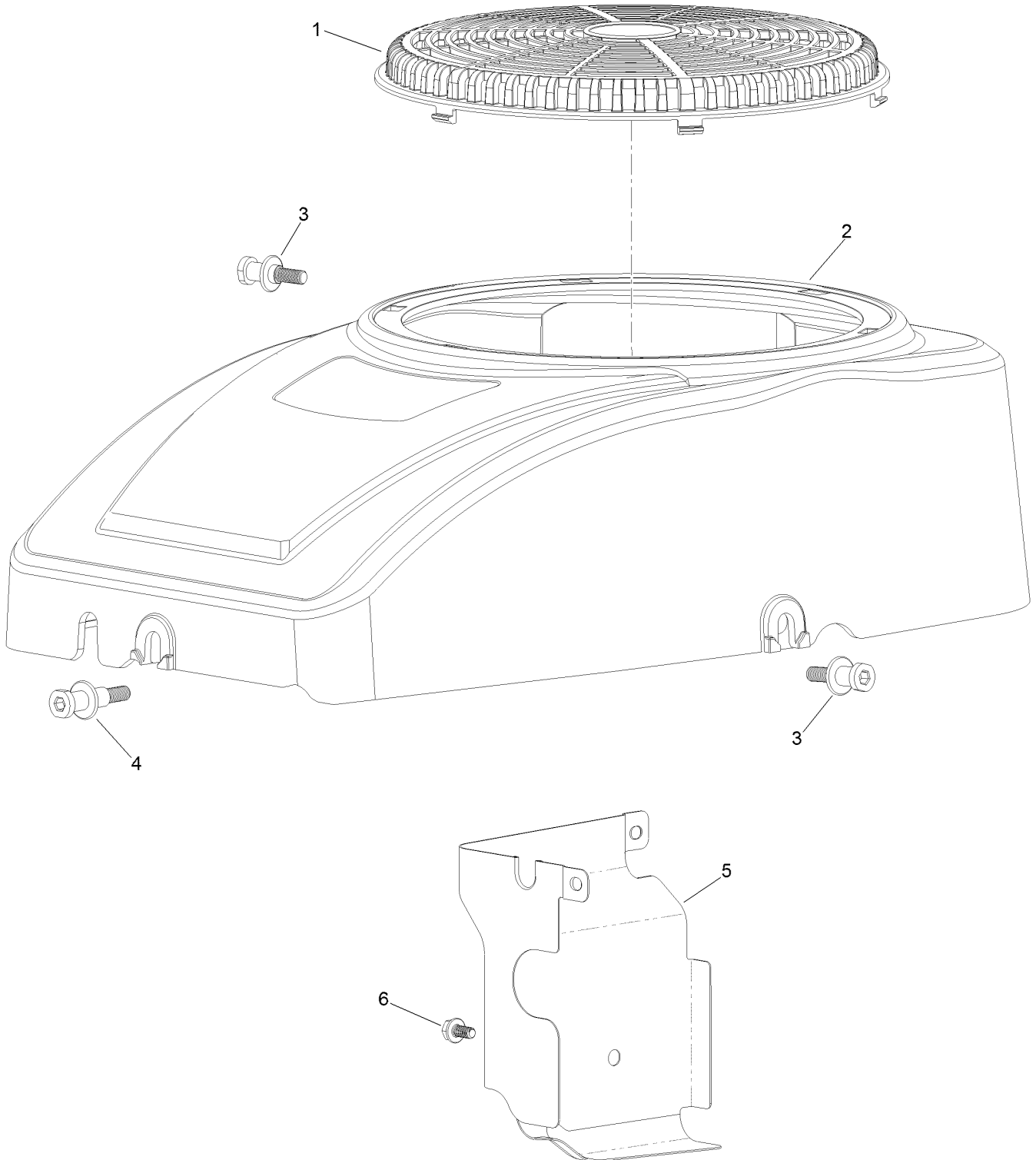
Engine Assembly No. 127-9358



Piston and Cylinder Head Assembly Engine Assembly No. 127-9358 (continued)

<i>Ref.</i>	<i>Part Number</i>	<i>Qty.</i>	<i>Description</i>	<i>Ref.</i>	<i>Part Number</i>	<i>Qty.</i>	<i>Description</i>
1	120-4292	1	Connecting Rod ASM	15	120-4206	1	Gasket-Cover, Valve
2	120-4288	2	Ring-Retaining, Piston Pin	16	120-4207	1	Cover-Valve
3	120-4291	1	Pin-Piston	18	120-4345	1	Bracket-Muffler
4	120-4290	1	Piston	19	120-4209	2	Screw-Shoulder, HHF
5	120-4289	1	Ring Set	20	120-4307	2	Keeper-Valve
7	120-4200	2	Pin-Dowel	21	120-4306	2	Retainer-Spring, Valve
8	120-4203	1	Head-Cylinder	22	120-4305	2	Spring-Valve
9	120-4317	1	Gasket-Exhaust	23	120-4304	2	Seal-Stem, Valve
10	120-4204	1	Plug-Spark	24	120-4303	2	Seat-Spring, Valve
11	120-4205	4	Screw-HHF	25	120-4302	2	Valve Set
12	120-4298	2	Lifter-Valve	26	120-4210	2	Screw-Shoulder, HHF
13	120-4340	2	Rod-Push	27	120-4201	1	Gasket-Cylinder
14	120-4300	1	Plate	98	120-4301	1	Rocker Arm Kit

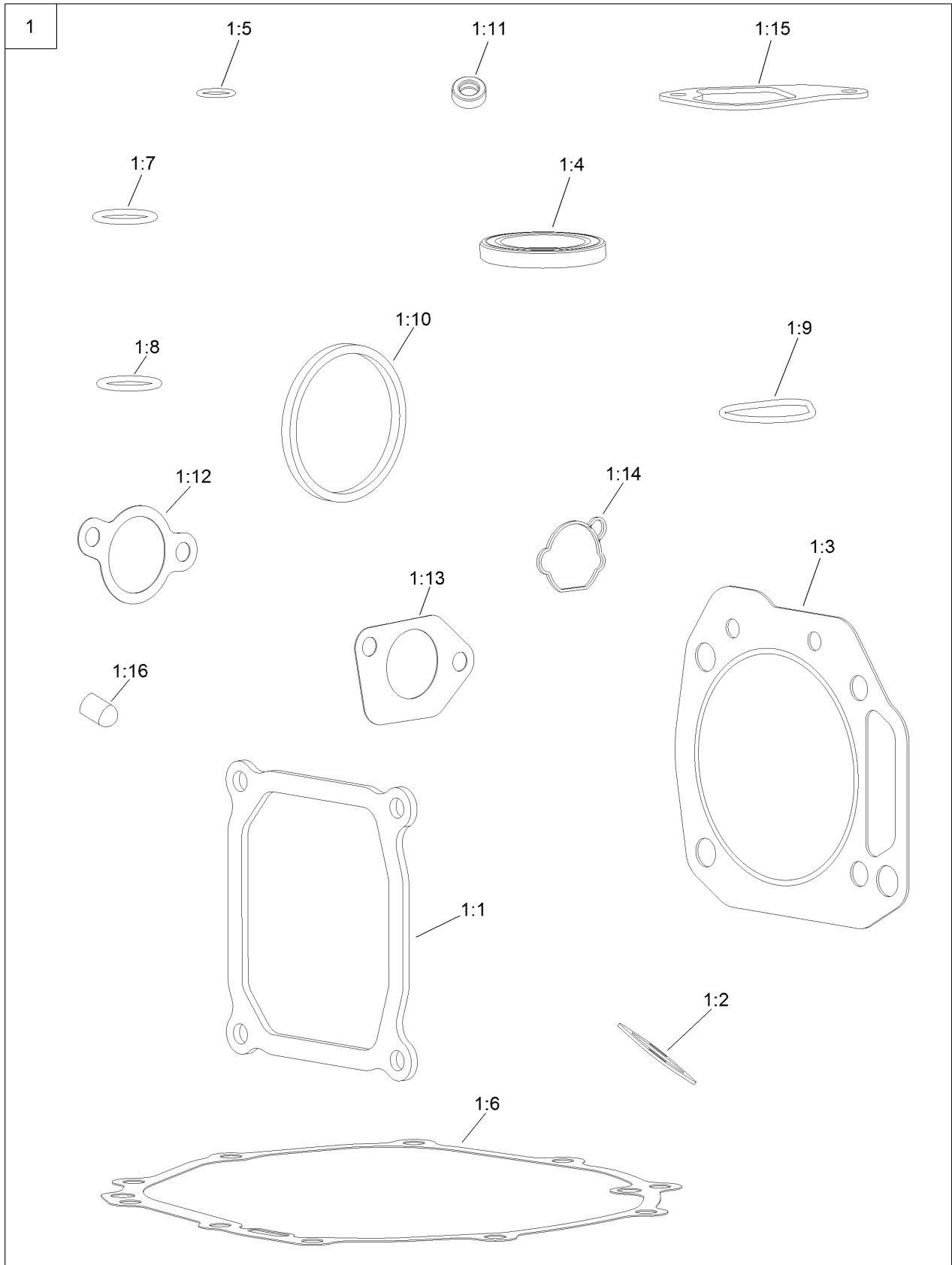
Blower Housing Assembly Engine Assembly No. 127-9358



Blower Housing Assembly Engine Assembly No. 127-9358 (continued)

<i>Ref.</i>	<i>Part Number</i>	<i>Qty.</i>	<i>Description</i>	<i>Ref.</i>	<i>Part Number</i>	<i>Qty.</i>	<i>Description</i>
1	120-4219	1	Screen-Stationary	4	120-4214	1	Screw-Shoulder, HH
2	120-4218	1	Shroud-Fan	5	120-4215	1	Shield
3	120-4217	2	Screw-Shoulder, HH	6	120-4216	1	Screw-HHF

Gasket and Seal Kit Engine Assembly No. 127-9358

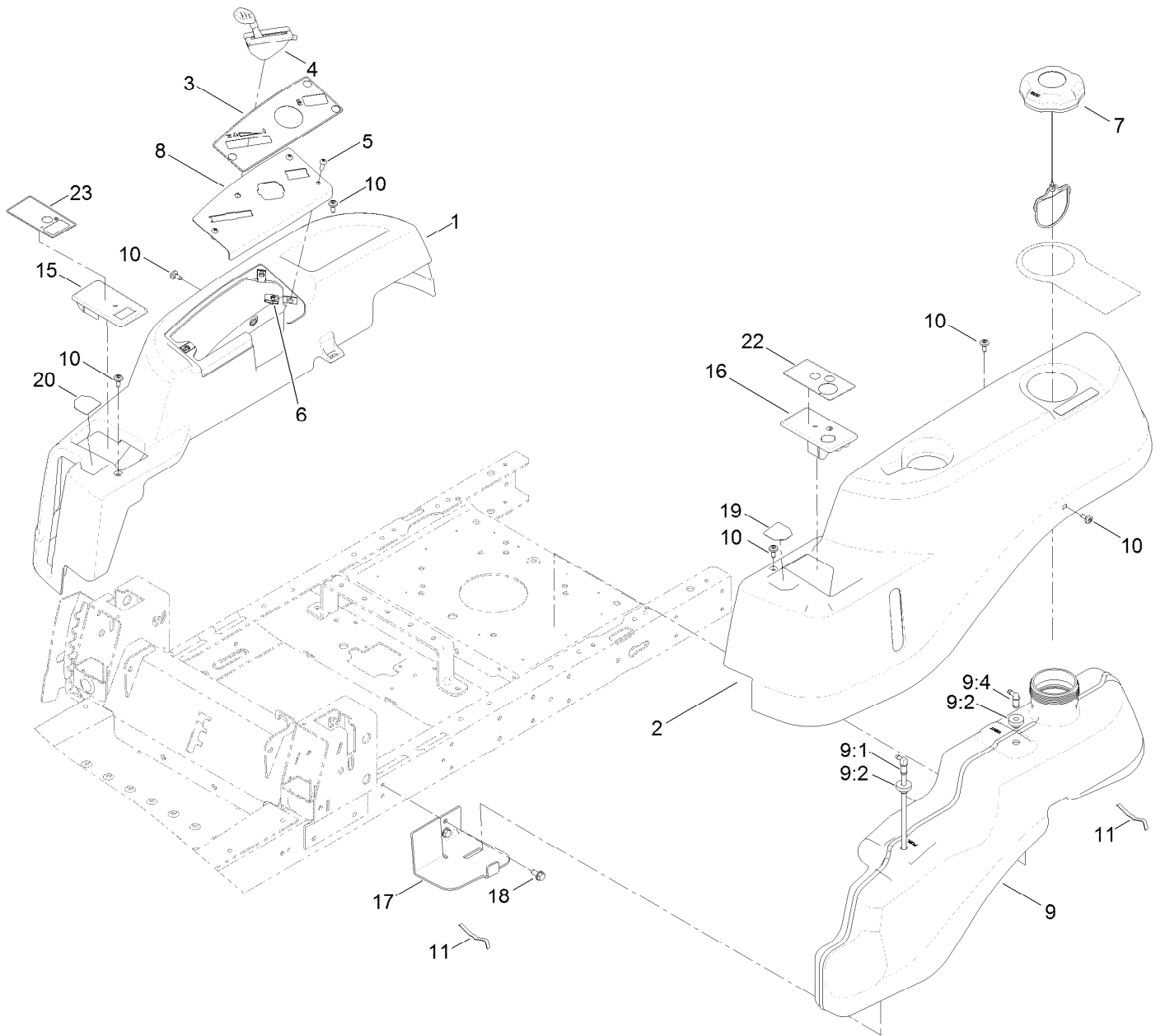


Gasket and Seal Kit

Engine Assembly No. 127-9358 (continued)

<i>Ref.</i>	<i>Part Number</i>	<i>Qty.</i>	<i>Description</i>	<i>Ref.</i>	<i>Part Number</i>	<i>Qty.</i>	<i>Description</i>
1	127-9192	1	Gasket And Seal Kit	1:9	120-4343	1	Seal-Pump, Oil
1:1	120-4206	1	Gasket-Cover, Valve	1:10	120-4362	1	Seal-Adaptor, Oil
1:2	120-4317	1	Gasket-Exhaust	1:11	120-4257	1	Seal-Oil
1:3	120-4201	1	Gasket-Cylinder	1:12	120-4250	1	Gasket-Carburetor
1:4	120-4267	2	Seal-Oil	1:13	120-4247	2	Gasket-Carburetor
1:5	120-4262	1	O-Ring	1:14	127-9185	1	Gasket-Carburetor
1:6	120-4260	1	Gasket-Crankcase	1:15	120-4264	1	Gasket-Breather
1:7	120-4348	1	O-Ring	1:16	127-9189	1	Cap-Seal
1:8	120-4282	1	O-Ring				

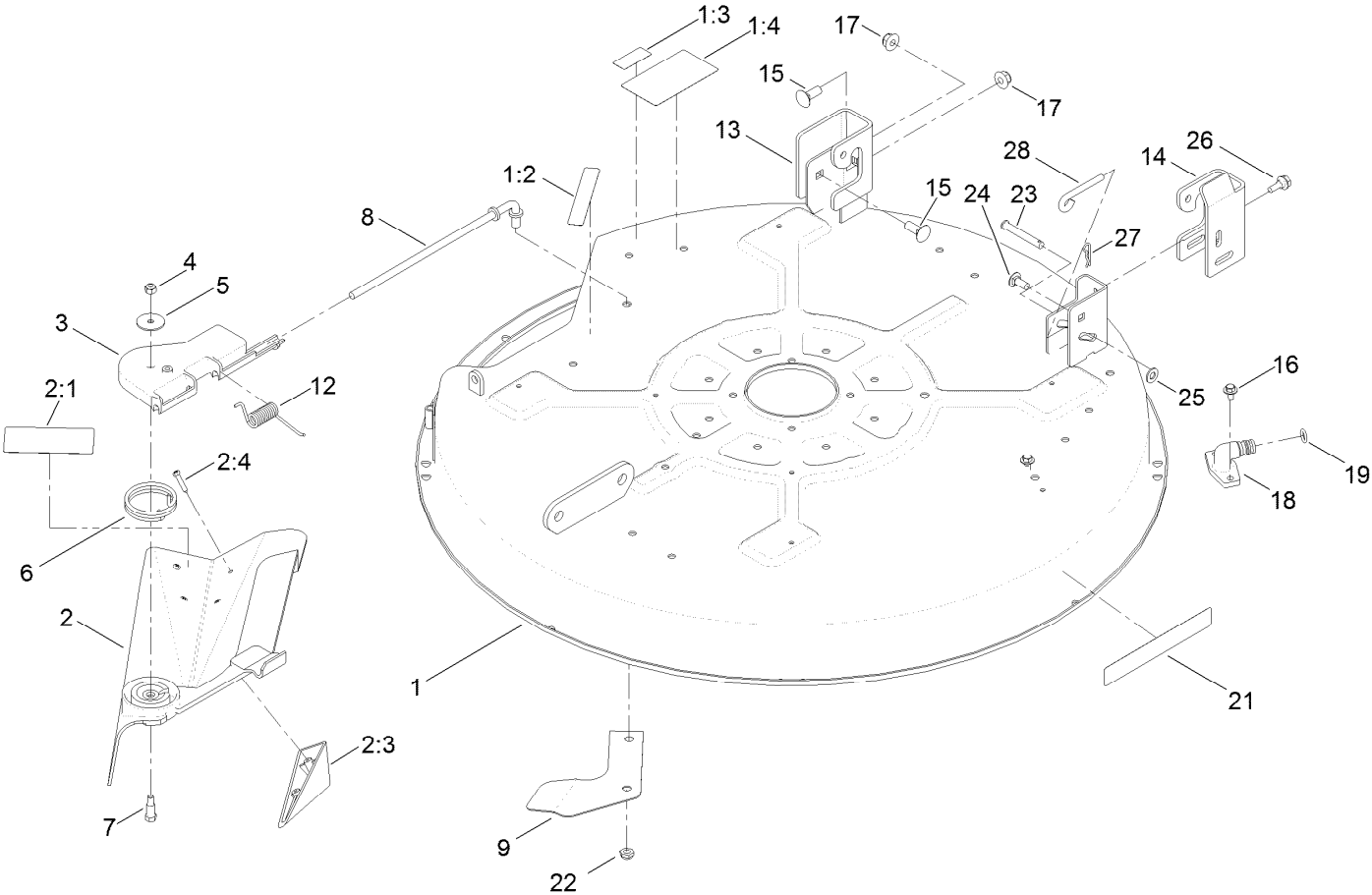
Body Styling and Fuel Tank Assembly



Body Styling and Fuel Tank Assembly (continued)

<i>Ref.</i>	<i>Part Number</i>	<i>Qty.</i>	<i>Description</i>	<i>Ref.</i>	<i>Part Number</i>	<i>Qty.</i>	<i>Description</i>
1	119-3335	1	Pod-RH	9:4	117-7400	1	Fitting-Plastic
2	119-3334	1	Pod-LH	10	120-7950	8	Screw-Shoulder
3	121-0771	1	Decal-Panel, Control	11	609830	2	Spring
4	121-0767	1	Cable-Throttle And Choke	15	130-7041	1	Cover-RH
5	3258-166	3	Screw-PRH	16	130-7042	1	Cover-LH
6	107069	3	Clip	17	119-3476-03	1	Support-Tank, Front
7	120-5461	1	Cap-Fuel, Ratcheting	18	32144-70	2	Screw-HWHTF
8	119-3378-03	1	Plate-Control	19	131-3621	1	Decal-Nmir
9	119-3324	1	Fuel Tank ASM	20	131-3620	1	Decal-Control, Pedal
9:1	121-0793	1	Connector-Elbow, 90 DEG	22	131-3665	1	Decal-Keychoice
9:2	46-6560	2	Bushing	23	131-3955	1	Decal-Brake, Parking

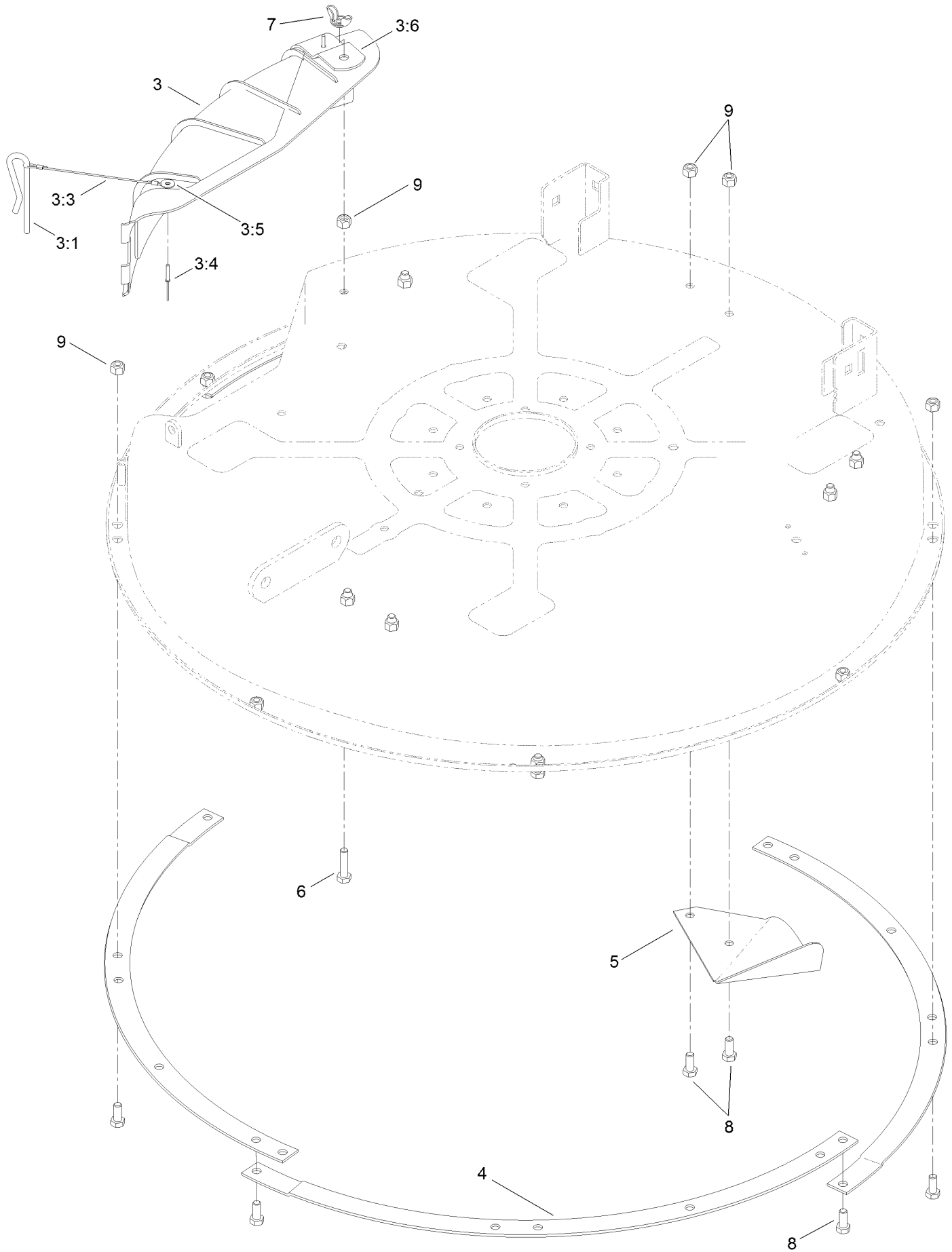
32 Inch Deck Assembly



32 Inch Deck Assembly (continued)

<i>Ref.</i>	<i>Part Number</i>	<i>Qty.</i>	<i>Description</i>	<i>Ref.</i>	<i>Part Number</i>	<i>Qty.</i>	<i>Description</i>
1	131-3602	1	32 Inch Deck And Decal ASM	12	92-2493	1	Spring-Torsion
1:2	93-7009	1	Decal-Danger	13	131-4138	1	Bracket-Hanger, RH
1:3	114-1606	2	Decal-Danger	14	131-1091	1	Bracket-Hanger, LH
1:4	110-6691	2	Decal-Danger	15	3231-2	2	Bolt-CARR
2	120-2298	1	32 Inch Deflector ASM	16	46-8560	2	Screw-HHFTF
2:1	110-6691	1	Decal-Danger	17	104-8301	2	Nut-Flange, NI
2:3	93-7696	2	Kicker	18	95-2747	1	Fitting-Washout
2:4	93-0231	4	Screw-PPH	19	46-6290	1	O-Ring
3	88-4540	1	Pivot-Hinge, Deflector	21	119-2368	1	Decal-Recycler
4	3296-42	1	Nut-Lock, NI	22	3296-59	1	Nut-Lock, NI
5	3256-55	1	Washer-Flat	23	110-0618	1	Pin-Clevis
6	88-6160	1	Spring-Torsion	24	3230-23	1	Screw-CARR
7	92-8916	1	Bolt-Shoulder	25	3256-23	1	Washer-Flat
8	119-8858	1	Rod-Pivot	26	120-7024	1	Screw-Shoulder, HHF
9	119-8877-03	1	Ramp-Deflector	27	1-806003	1	Pin-Cotter
				28	131-0955	1	Rod-Level, Deck

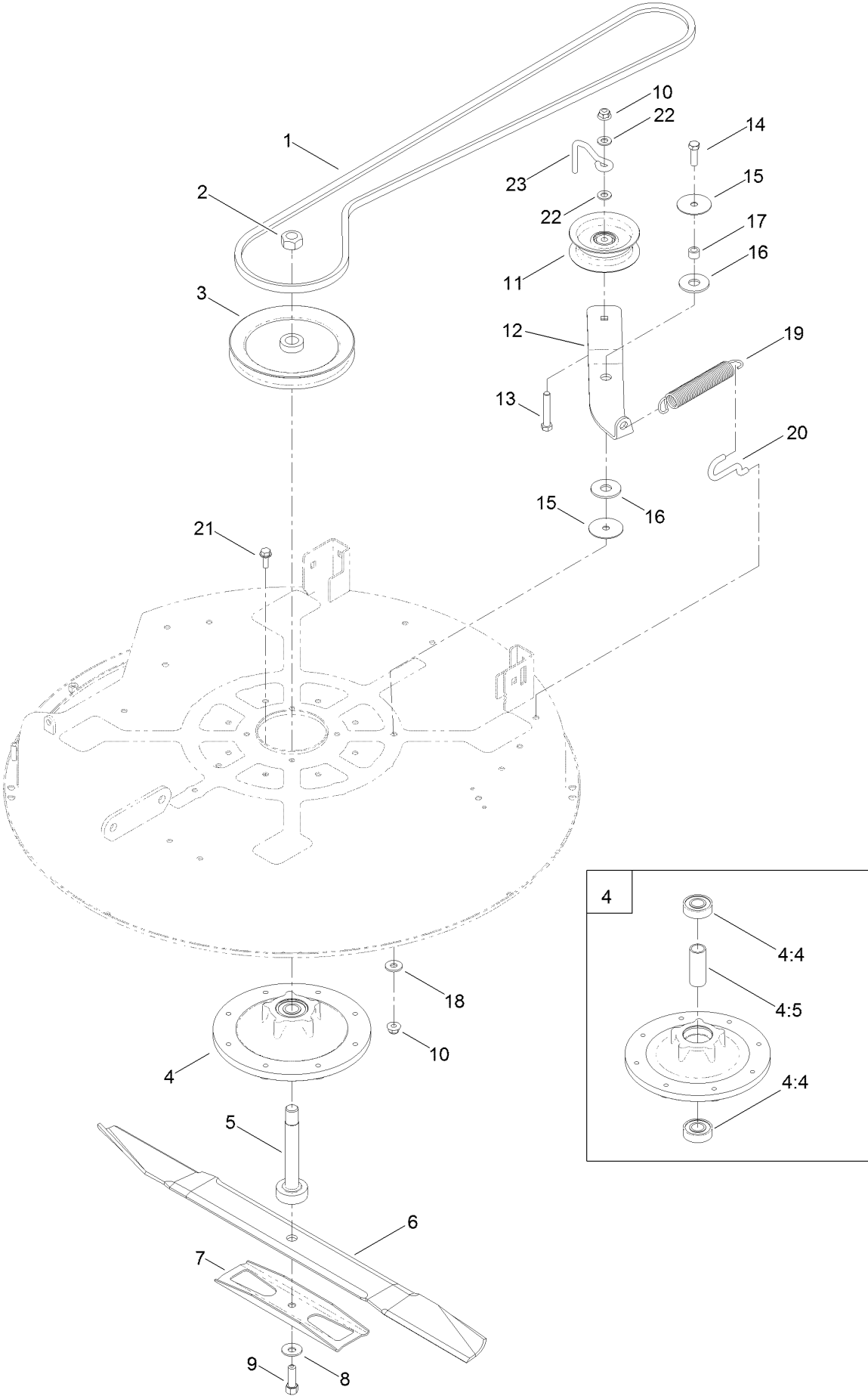
32 Inch Deck Baffle Assembly



32 Inch Deck Baffle Assembly (continued)

<i>Ref.</i>	<i>Part Number</i>	<i>Qty.</i>	<i>Description</i>	<i>Ref.</i>	<i>Part Number</i>	<i>Qty.</i>	<i>Description</i>
3	82-6151	1	Discharge Cover ASM	4	80-4490-03	4	Ring-Deck
3:1	28-8130	1	Pin-Locking, Chute	5	80-2630-03	4	Kicker
3:3	28-8070	1	Lanyard	6	322-6	1	Screw-HH
3:4	3290-282	2	Rivet-Blind	7	32103-2	1	Nut-Wing
3:5	3256-49	1	Washer-Flat	8	322-3	15	Screw-HH
3:6	83-7010-03	1	Brace	9	3296-29	16	Nut-Lock, NI

32 Inch Deck, Belt and Blade Assembly



32 Inch Deck, Belt and Blade Assembly (continued)

<i>Ref.</i>	<i>Part Number</i>	<i>Qty.</i>	<i>Description</i>	<i>Ref.</i>	<i>Part Number</i>	<i>Qty.</i>	<i>Description</i>
1	119-8821	1	V-Belt, 81.8 Inch	12	119-8966	1	Arm-Idler
2	3219-7	1	Nut-Hex	13	323-11	1	Screw-HH
3	119-8804	1	Pulley-Deck	14	323-7	1	Screw-HH
4	119-0368	1	Spindle Housing ASM	15	120-2229	2	Washer
4:4	251-297	2	Bearing-Ball	16	114-0463	2	Washer-Friction, Composite
4:5	83-7020	1	Spacer-Bearing	17	115-4986	1	Spacer
5	119-8825	1	Shaft-Spindle	18	80-6990	1	Washer-Hardened
6	80-4430-03	1	Blade-Recycler, 31.35 Inch	19	106-2177	1	Spring-Extension
7	80-4570-03	1	Stiffener	20	88-5970	1	Hook-Return, Spring
8	3290-465	1	Washer-Belleville	21	32144-41	8	Screw-Taptite
9	26-0671	1	Screw-HH	22	3256-24	2	Washer-Flat
10	104-8301	2	Nut-Flange, NI	23	107-7307	1	Guide-Idler, Belt
11	106-2175	1	Pulley-Idler, Flat				

Attachments and Accessories

For 74670 TimeCutter SW 3200 Riding Mower

Product Name	Model/Part
Hourmeter Kit	116-5461
Oil-Synthetic, All Season	117-0066
Fuel Stabilizer (4oz).....	117-0089
Fuel Stabilizer (16oz).....	117-0090
Seat With Armrests-18in.....	119-8830
Jack Mount Kit	126-5251
Jack Kit	127-6666
Attachment Mount Kit	131-3966
Deluxe Seat Kit	131-7699
10w30 4-cycle Engine Oil (32oz Bottle)	38280
Toro 4-cycle Sae 30 Oil (32oz Bottle).....	38903
Storage Cover	490-7516
Sunshade Kit	79011
Cargo Carrier.....	79040
32in Bagger	79387

Notes:

Notes:

Notes:



Count on it.