



Count on it.

Parts Catalog

**TimeCutter® SS 4225 Riding
Mower**

Model No. 74721—Serial No. 316000001 and Up



Ordering Replacement Parts

To order replacement parts, please supply the part number, the quantity, and the description of each part desired.

Understanding Reference Numbers

Each identified part in an illustration has a reference number. The reference number for a part also appears in the parts list, along with other information about the part.

This catalog uses two special reference number formats, one to indicate parts in a service assembly and another to indicate the quantity of a given part in an illustration.

Service Assembly Reference Numbers

Parts in service assemblies have reference numbers in the form a:b. The a represents the reference number of the entire service assembly and the b represents a sequential number unique to each part within the service assembly.

For example, a wheel assembly might be identified by reference number 6, the tire by 6:1, the valve by 6:2, and the wheel by 6:3. When you order the assembly identified by reference number 6, you receive all parts identified by reference numbers 6:1, 6:2, and 6:3. However, you may also order any part individually. Reference numbers of this type appear in illustration and in parts lists.

Reference Numbers Indicating Quantity

In an illustration, if a reference number indicates more than one part, the reference number has the form nX y. The n represents the quantity of the part, the X is the multiplication symbol, and the y represents the reference number.

For example, in an illustration, the reference number 2X 37 means that two of the parts identified by reference number 37 are indicated.

List of Abbreviations

AR: as required

ASM: assembly

BBC: blade brake control

BHTF: button head thread forming

CARR: carriage

CCW: counter clockwise

CW: clockwise

DEG: degrees

DPA: Dual Point Adjustment

ECM: electronic control module

EXT: external

FH: flat head

GA: gauge

HD: heavy-duty

HF: hex flange

HH: hex head

HHF: hex head flange

HHFTF: hex head flange thread forming

HJ: hex jam

HLH: hex lag head

HOC: height-of-cut

HP: high pressure

HSBH: hex socket button head

HSFH: hex socket flat head

HSH: hex socket head

HWH: hex washer head

HWHTF: hex washer head thread forming

HYD: hydraulic

LH: left hand

LP: low pressure

LPG: Liquefied Petroleum Gas

NI: nylon insert

NPTF: national pipe thread fine

PFH: phillips flat head

PPH: phillips pan head

PPHTF: phillips pan head thread forming

PRH: phillips round head

PTH: phillips truss head

PTO: power-take-off

RH: right hand

ROPS: roll-over protection system

RRB: rear roller brush

SFH: slotted fillister head

SHH: slotted hex head

SHWH: slotted hex washer head

SPH: slotted pan head

SQH: square head

SRH: slotted round head

STD: standard

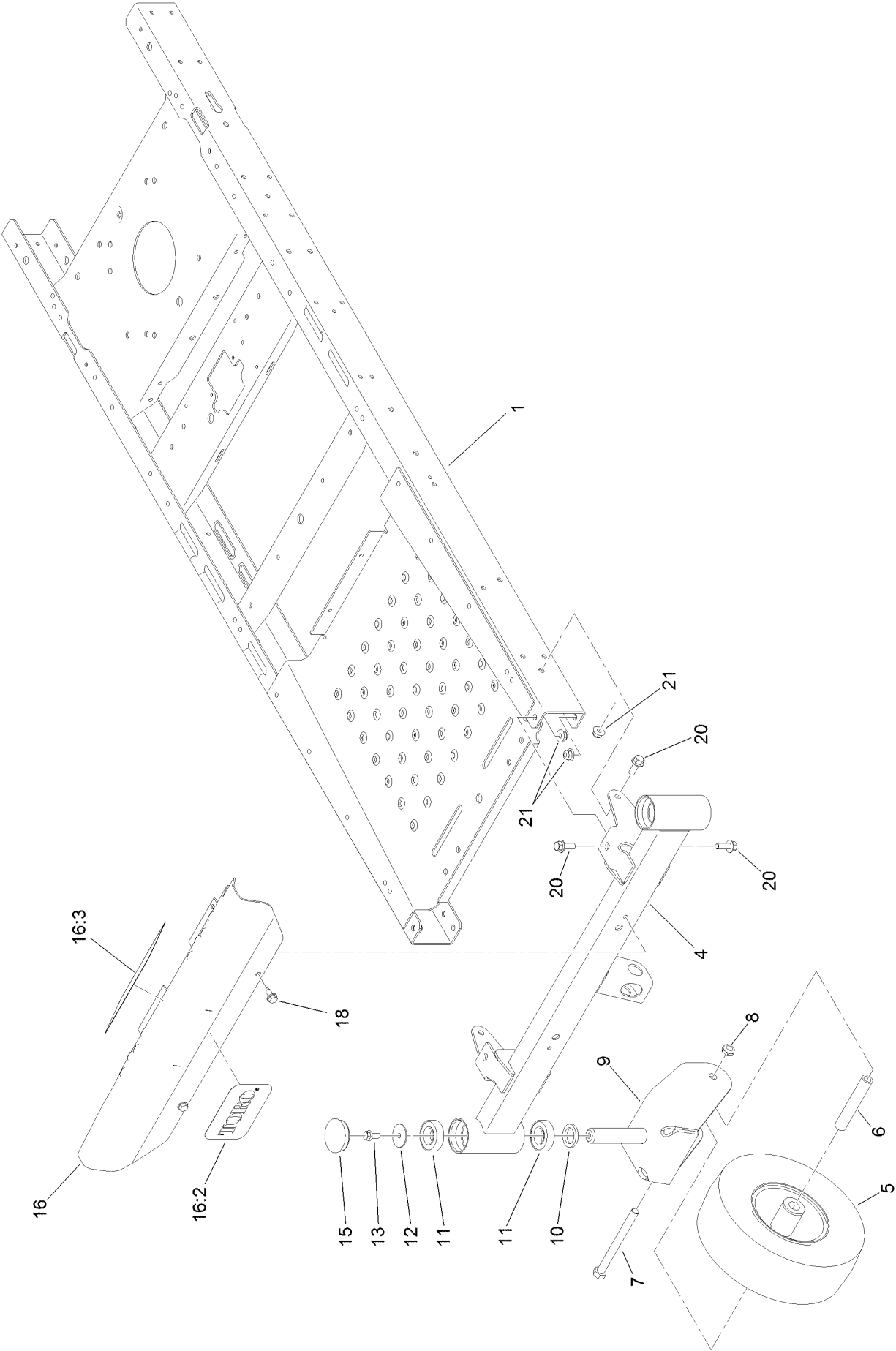
TAP: self tapping

TTH: torx truss head

Contents

| | |
|--|----|
| Frame, Front Axle and Caster Wheel Assembly | 4 |
| Caster Wheel Assembly No. 130-0736..... | 6 |
| Deck Lift Assembly..... | 8 |
| Motion Control Assembly | 10 |
| Brake Assembly..... | 12 |
| Seat Assembly | 14 |
| Belt and Idler Assembly..... | 16 |
| Hydo Transaxle Drive and Rear Wheel Assembly..... | 18 |
| 2 Ply Wheel and Tire Assembly No. 131-3671 | 20 |
| Left Hand Hydro Transaxle Assembly No. 119-3330 | 22 |
| Right Hand Hydro Transaxle Assembly No. 119-3331 | 24 |
| Clutch Assembly..... | 26 |
| Engine and Muffler Assembly..... | 28 |
| Body Styling and Fuel Tank Assembly | 30 |
| Fuel Delivery Assembly..... | 32 |
| Battery and Electrical Assembly..... | 34 |
| Fuse and Wire Harness Assembly..... | 36 |
| 42 Inch Deck Assembly..... | 38 |
| 42 Inch Deck Assembly No. 131-3604 | 40 |
| 42 Inch Deck, Belt and Blade Assembly..... | 42 |
| Attachments and Accessories | 44 |

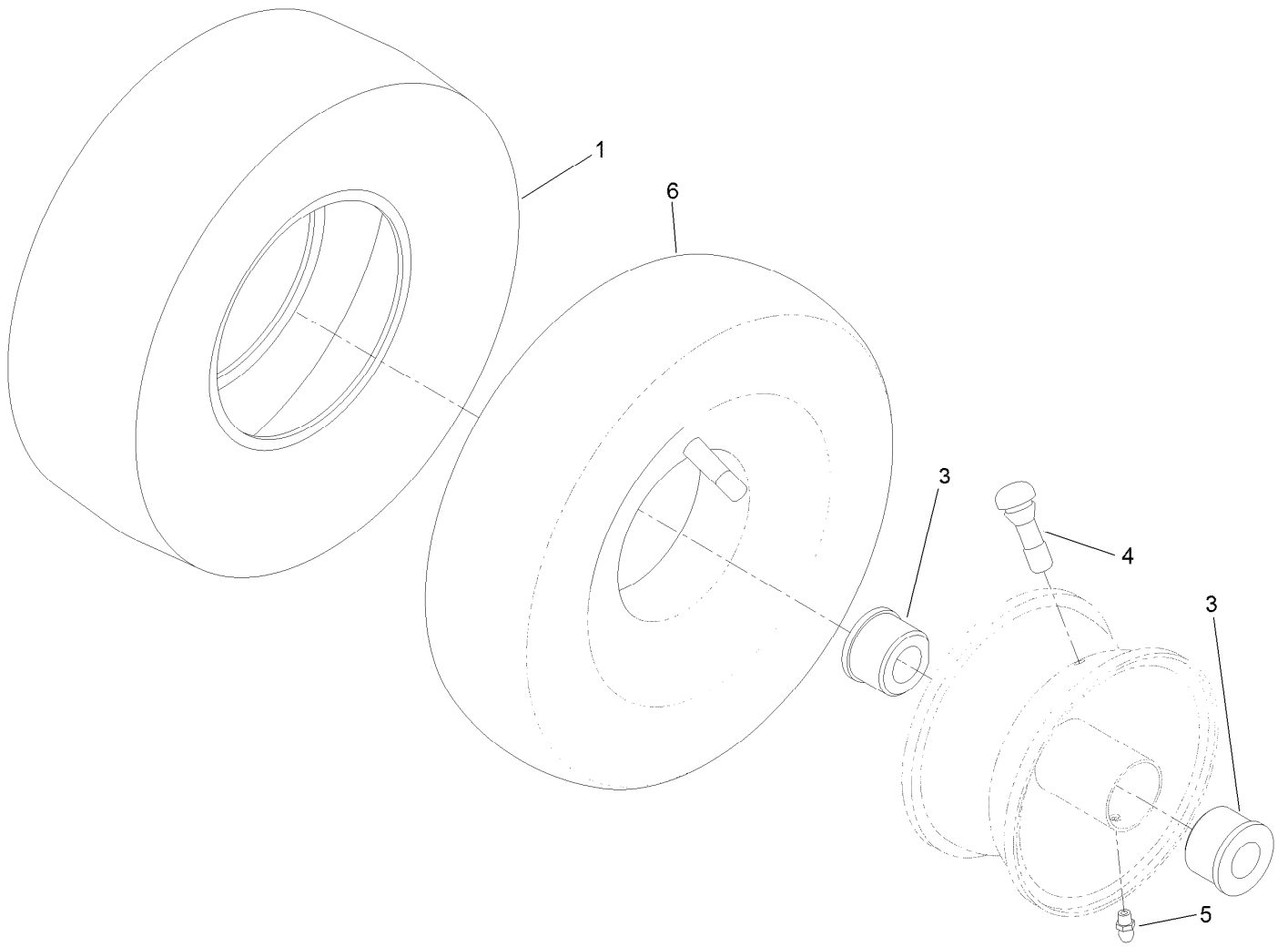
Frame, Front Axle and Caster Wheel Assembly



Frame, Front Axle and Caster Wheel Assembly (continued)

| <i>Ref.</i> | <i>Part Number</i> | <i>Qty.</i> | <i>Description</i> | <i>Ref.</i> | <i>Part Number</i> | <i>Qty.</i> | <i>Description</i> |
|-------------|--------------------|-------------|--------------------|-------------|--------------------|-------------|--------------------|
| 1 | 127-3444-01 | 1 | Frame ASM | 12 | 3256-68 | 2 | Washer-Flat |
| 4 | 125-1742-01 | 1 | Axle-Front, Narrow | 13 | 3234-47 | 2 | Screw-HHF |
| 5 | 130-0736 | 2 | Caster Wheel ASM | 15 | 116-4348 | 2 | Cap-Grease |
| 6 | 104-3667 | 2 | Spanner-Wheel | 16 | 132-0890 | 1 | Footrest ASM |
| 7 | 325-22 | 2 | Screw-HH | 16:2 | 105-8278 | 1 | Decal |
| 8 | 3296-45 | 2 | Nut-Lock, NI | 16:3 | 132-0869 | 1 | Decal-Danger |
| 9 | 120-2266-01 | 2 | Fork-Caster | 18 | 32144-70 | 2 | Screw-HWHTF |
| 10 | 117-7394 | 2 | Washer-Thrust | 20 | 3234-42 | 6 | Screw-HHF |
| 11 | 109-3678 | 4 | Bearing-Ball | 21 | 104-8301 | 6 | Nut-Flange, NI |

Caster Wheel Assembly No. 130-0736



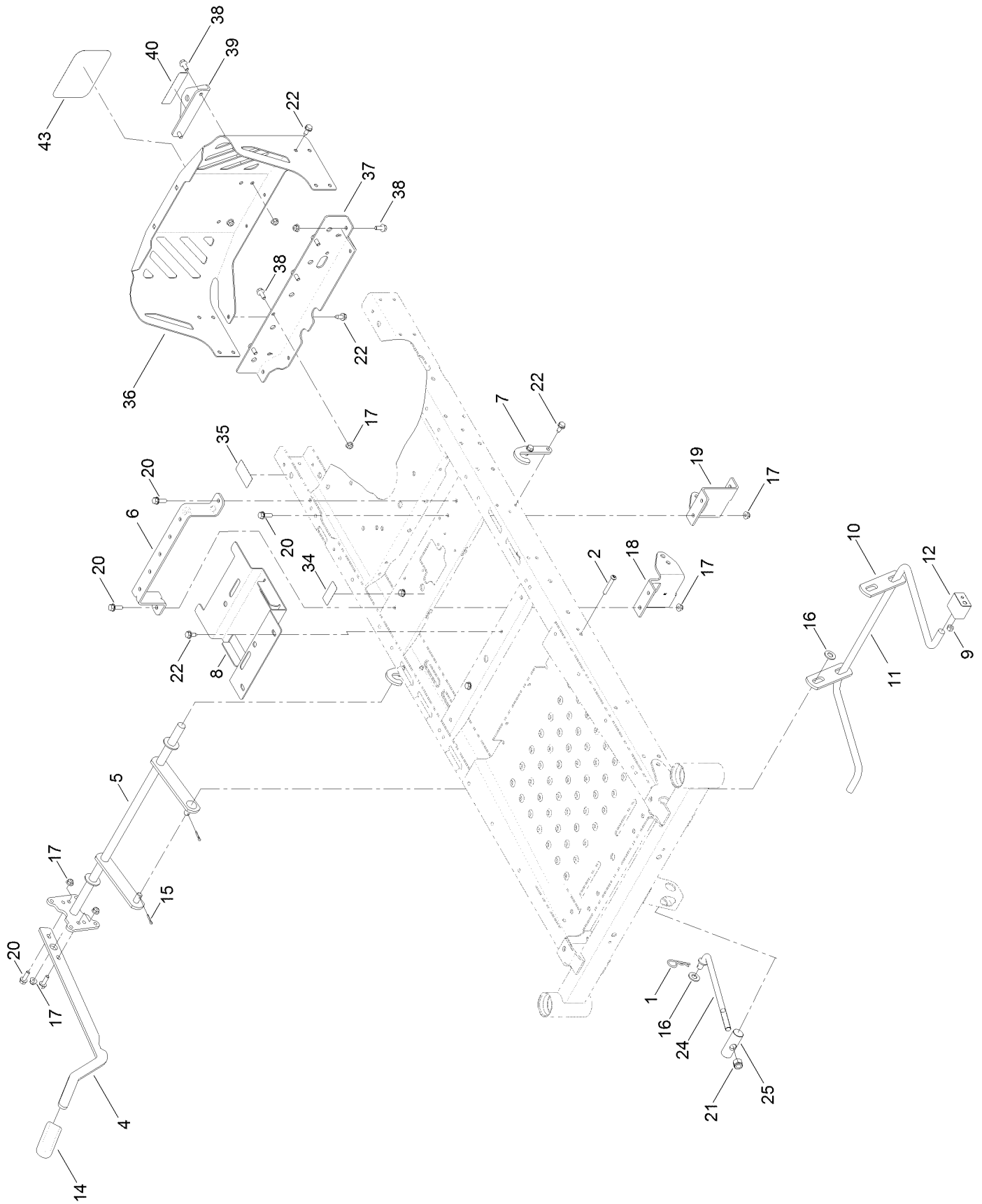
Caster Wheel Assembly No. 130-0736 (continued)

| <i>Ref.</i> | <i>Part Number</i> | <i>Qty.</i> | <i>Description</i> |
|-------------|--------------------|-------------|--------------------|
| 1 | 130-0735 | 1 | Tire |
| 3 | 114-1640 | 2 | Bushing-Flange |
| 4 | 232-27 | 1 | Stem-Valve |

| <i>Ref.</i> | <i>Part Number</i> | <i>Qty.</i> | <i>Description</i> |
|-------------|--------------------|-------------|--------------------|
| 5 | 302-5 | 1 | Fitting-Grease |
| 6 | 105-0844 | 1 | Tube-Inner ● |

● Optional Equipment

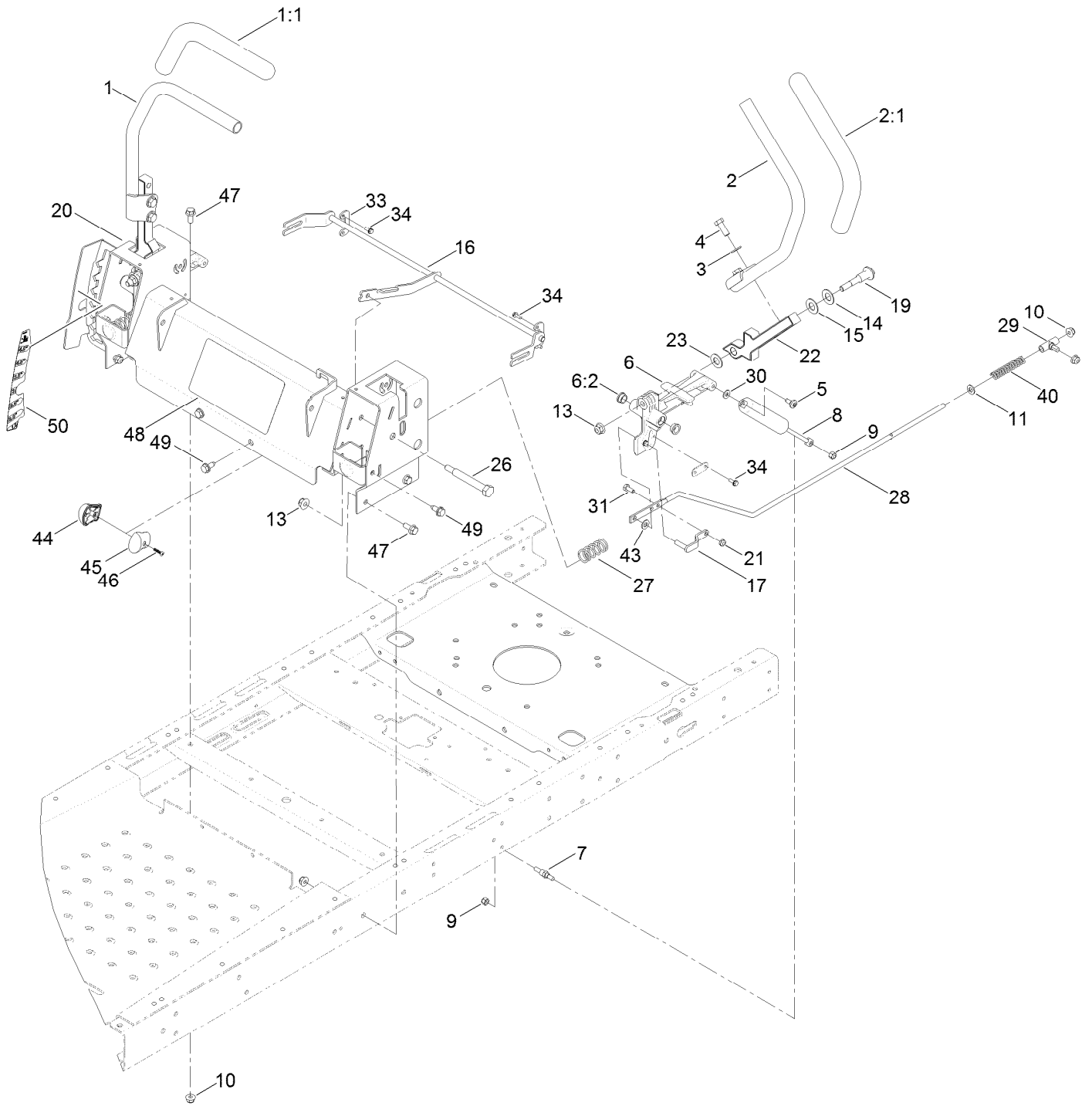
Deck Lift Assembly



Deck Lift Assembly (continued)

| <i>Ref.</i> | <i>Part Number</i> | <i>Qty.</i> | <i>Description</i> | <i>Ref.</i> | <i>Part Number</i> | <i>Qty.</i> | <i>Description</i> |
|-------------|--------------------|-------------|---------------------------|-------------|--------------------|-------------|--------------------------------|
| 1 | 1-806005 | 1 | Pin-Cotter | 19 | 131-0902-01 | 1 | Mount-Hydro, Front Left |
| 2 | 120-5499 | 2 | Screw-HSBH | 20 | 3234-29 | 6 | Screw-HHF |
| 4 | 119-3427-03 | 1 | Lever-Lift | 21 | 3296-19 | 1 | Nut-Hex |
| 5 | 132-6872-03 | 1 | Lift-Deck, Narrow | 22 | 32144-70 | 16 | Screw-HWHTF |
| 6 | 119-3435-03 | 1 | Brace-Seat, Rear (Narrow) | 24 | 131-3945 | 1 | Rod-Mount, Deck |
| 7 | 119-8875 | 2 | Bracket-Lift | 25 | 119-8810 | 1 | Pin-Pivot |
| 8 | 131-0914-03 | 1 | Bracket-Battery | 34 | 121-5684 | 1 | Decal-Location, Service Dealer |
| 9 | 3296-29 | 2 | Nut-Lock, NI | 35 | 121-2989 | 2 | Decal-Bypass |
| 10 | 108-7840 | 2 | Link-Lift | 36 | 127-3353-03 | 1 | Guard-Engine, Narrow |
| 11 | 108-7839 | 1 | Arm-Lift, Rear | 37 | 130-6950-01 | 1 | Crossmember-Rear, Narrow |
| 12 | 108-7845 | 2 | Block-Pivot | 38 | 3234-47 | 8 | Screw-HHF |
| 14 | 1-633268 | 1 | Grip-Lever | 39 | 117-1232-03 | 1 | Bracket-Hitch |
| 15 | 3272-11 | 2 | Pin-Cotter | 40 | 131-4036 | 1 | Decal |
| 16 | 3256-26 | 3 | Washer-Flat | 43 | 99-4693 | 1 | Decal |
| 17 | 104-8300 | 14 | Nut-Flange, NI | | | | |
| 18 | 131-0901-01 | 1 | Mount-Hydro, Front Right | | | | |

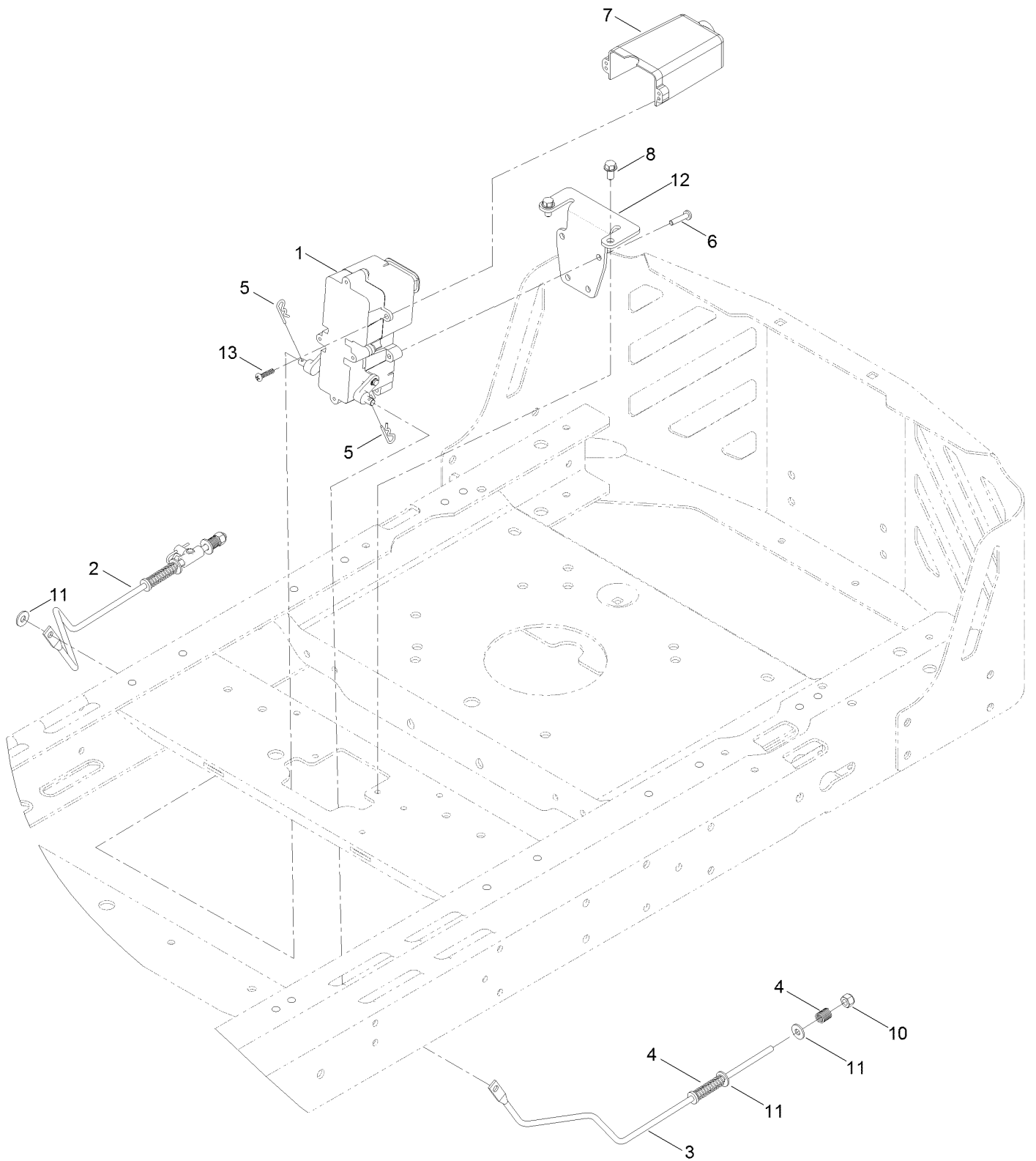
Motion Control Assembly



Motion Control Assembly (continued)

| <i>Ref.</i> | <i>Part Number</i> | <i>Qty.</i> | <i>Description</i> | <i>Ref.</i> | <i>Part Number</i> | <i>Qty.</i> | <i>Description</i> |
|-------------|--------------------|-------------|------------------------|-------------|--------------------|-------------|------------------------|
| 1 | 121-0731 | 1 | Handle-Control, RH | 21 | 3296-56 | 2 | Nut-Lock, NI |
| 1:1 | 121-0726 | 1 | Grip | 22 | 115-5098-05 | 2 | Lever-Control |
| 2 | 121-0730 | 1 | Handle-Control, LH | 23 | 120-2273 | 2 | Washer-Nylon |
| 2:1 | 121-0726 | 1 | Grip | 26 | 115-5099 | 2 | Bolt-Pivot |
| 3 | 3256-24 | 4 | Washer-Flat | 27 | 119-8876 | 2 | Spring-Return |
| 4 | 323-6 | 4 | Screw-HH | 28 | 117-5388 | 2 | Rod-Hydro |
| 5 | 120-7950 | 2 | Screw-Shoulder | 29 | 119-8842 | 2 | Mount-Rod, Hydro |
| 6 | 119-3470 | 2 | Actuator Arm ASM | 30 | 119-8952 | 2 | Washer |
| 6:2 | 256-156 | 2 | Bushing-Flange | 31 | 321-3 | 2 | Screw-HH |
| 7 | 110-6810 | 2 | Stud-Damper | 33 | 117-5385 | 2 | Retainer |
| 8 | 103-2913 | 2 | Damper-Control, Motion | 34 | 32144-1 | 4 | Screw-Taptite |
| 9 | 3296-42 | 4 | Nut-Lock, NI | 40 | 1-603807 | 2 | Spring-Return, Neutral |
| 10 | 104-8300 | 10 | Nut-Flange, NI | 43 | 93-6079 | 2 | Spacer-Nylon |
| 11 | 3256-23 | 2 | Washer-Flat | 44 | 119-8935 | 1 | Knob-RH |
| 13 | 104-8301 | 4 | Nut-Flange, NI | 45 | 119-8936 | 1 | Knob-LH |
| 14 | 119-8925 | 2 | Washer-Belleville | 46 | 94-4496 | 1 | Screw-PPH |
| 15 | 117-1240 | 2 | Washer | 47 | 3234-47 | 6 | Screw-HHF |
| 16 | 131-1094 | 1 | Speed Control ASM | 48 | 131-3947 | 1 | Decal-Speed Control |
| 17 | 119-3303 | 2 | Pin-Rod, Hydro | 49 | 32144-70 | 4 | Screw-HWHTF |
| 19 | 117-1198 | 2 | Bolt-Pivot | 50 | 119-8871 | 1 | Decal |
| 20 | 131-1093-03 | 1 | Control Box ASM | | | | |

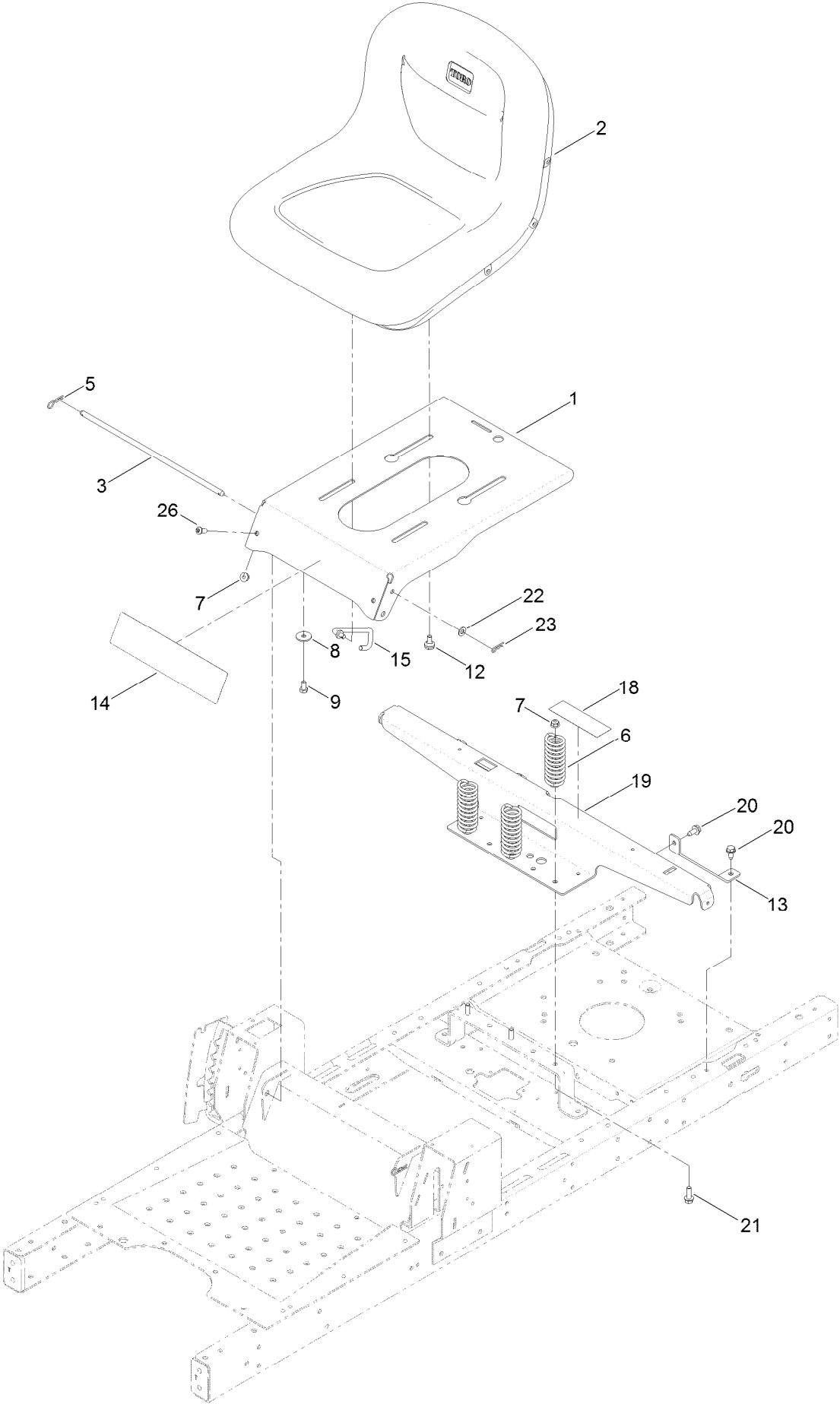
Brake Assembly



Brake Assembly (continued)

| <i>Ref.</i> | <i>Part Number</i> | <i>Qty.</i> | <i>Description</i> | <i>Ref.</i> | <i>Part Number</i> | <i>Qty.</i> | <i>Description</i> |
|-------------|--------------------|-------------|--------------------|-------------|--------------------|-------------|----------------------|
| 1 | 132-0935 | 1 | Brake Box ASM | 7 | 130-6974 | 1 | Cover-Connector |
| 2 | 121-2974 | 1 | Rod-Brake, RH | 8 | 32144-4 | 2 | Screw-HWH |
| 3 | 121-2975 | 1 | Rod-Brake, LH | 10 | 3296-42 | 2 | Nut-Lock, NI |
| 4 | 117-1169 | 4 | Spring-Compression | 11 | 119-8952 | 6 | Washer |
| 5 | 3290-307 | 2 | Pin-Cotter | 12 | 130-0790-03 | 1 | Bracket-Mount, Brake |
| 6 | 32144-36 | 4 | Screw-PPH | 13 | 94-4496 | 2 | Screw-PPH |

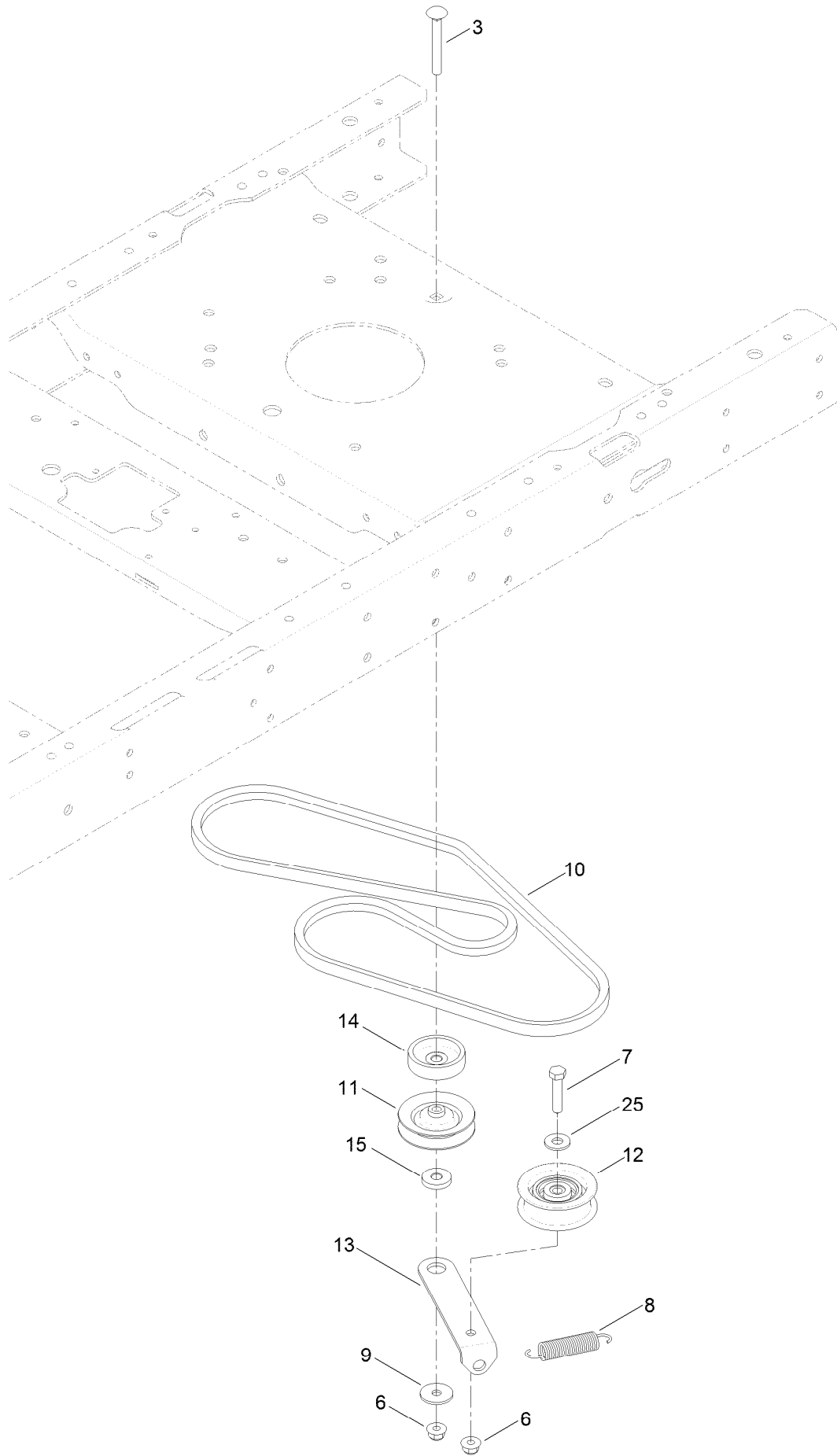
Seat Assembly



Seat Assembly (continued)

| <i>Ref.</i> | <i>Part Number</i> | <i>Qty.</i> | <i>Description</i> | <i>Ref.</i> | <i>Part Number</i> | <i>Qty.</i> | <i>Description</i> |
|-------------|--------------------|-------------|--------------------|-------------|--------------------|-------------|--------------------|
| 1 | 131-4037-01 | 1 | Pan-Seat | 14 | 131-3650 | 1 | Decal-Timecutter |
| 2 | 119-8828 | 1 | Seat-15 Inch | 15 | 119-8972 | 1 | Stop-Seat |
| 3 | 119-3433 | 1 | Rod-Pivot, Narrow | 18 | 106-8717 | 1 | Decal-Service |
| 5 | 3290-250 | 2 | Pin-Cotter | 19 | 131-1040-03 | 1 | Support-Pod |
| 6 | 92-7054 | 3 | Spring-Compression | 20 | 32144-70 | 4 | Screw-HWHTF |
| 7 | 104-8300 | 5 | Nut-Flange, NI | 21 | 3234-29 | 3 | Screw-HHF |
| 8 | 5-4460 | 2 | Washer-Pivot | 22 | 3256-23 | 1 | Washer-Flat |
| 9 | 322-2 | 2 | Screw-HH | 23 | 3290-307 | 1 | Pin-Cotter |
| 12 | 37-8771 | 2 | Bolt-Shoulder | 26 | 3274-55 | 2 | Screw-HSBH |
| 13 | 119-3431-03 | 2 | Support-Tank, Rear | | | | |

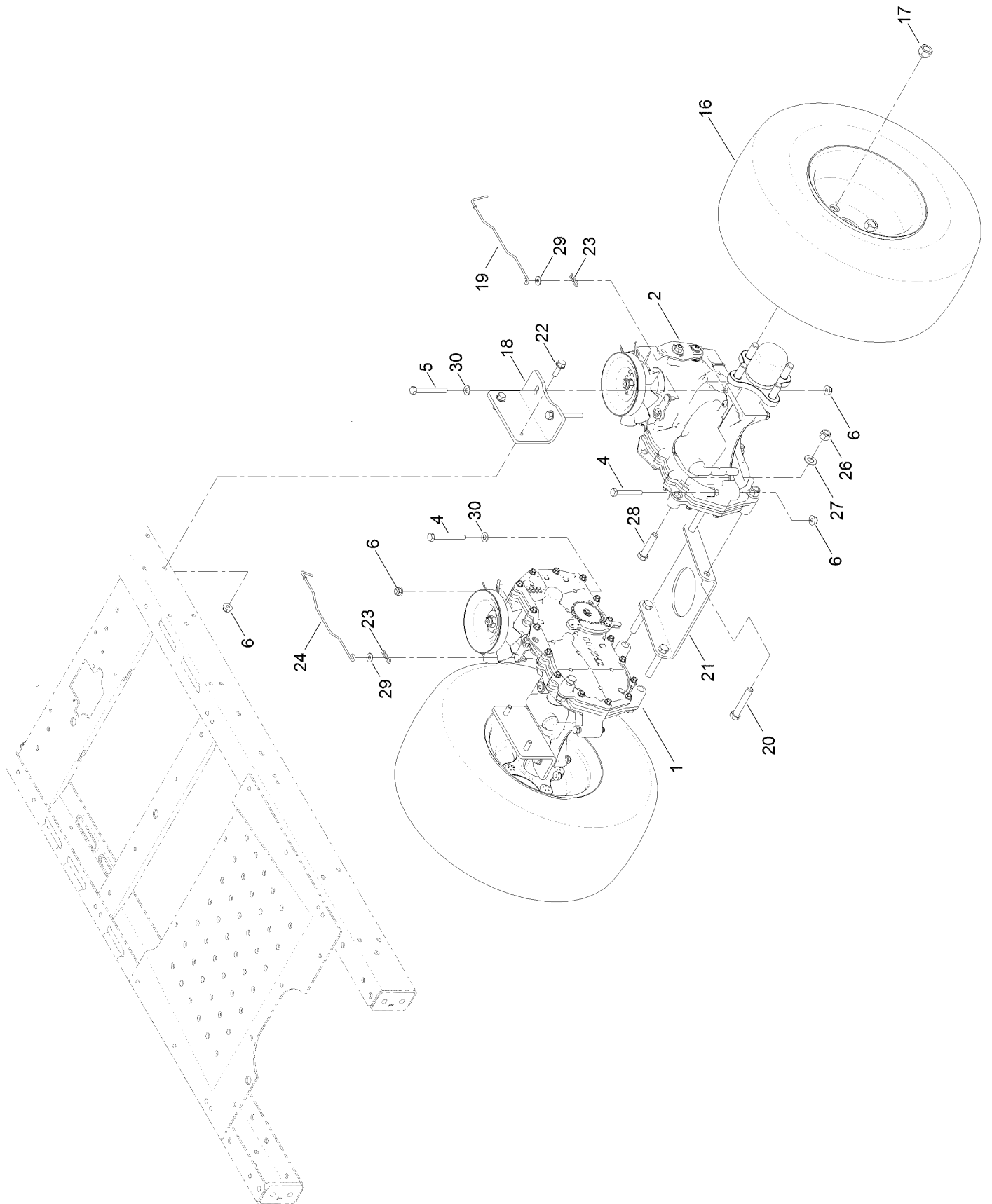
Belt and Idler Assembly



Belt and Idler Assembly (continued)

| <i>Ref.</i> | <i>Part Number</i> | <i>Qty.</i> | <i>Description</i> | <i>Ref.</i> | <i>Part Number</i> | <i>Qty.</i> | <i>Description</i> |
|-------------|--------------------|-------------|----------------------|-------------|--------------------|-------------|--------------------|
| 3 | 3230-8 | 1 | Screw-CARR | 11 | 119-8822 | 1 | Pulley-Idler |
| 6 | 104-8300 | 2 | Nut-Flange, NI | 12 | 106-2176 | 1 | Pulley-Idler |
| 7 | 322-7 | 1 | Screw-HH | 13 | 119-3326 | 1 | Arm-Idler |
| 8 | 104-6415 | 1 | Spring-Return, Pedal | 14 | 119-3353 | 1 | Spacer |
| 9 | 5-4460 | 1 | Washer-Pivot | 15 | 119-3327 | 1 | Spacer-Arm, Idler |
| 10 | 130-6975 | 1 | V-Belt | 25 | 3256-3 | 1 | Washer-Flat |

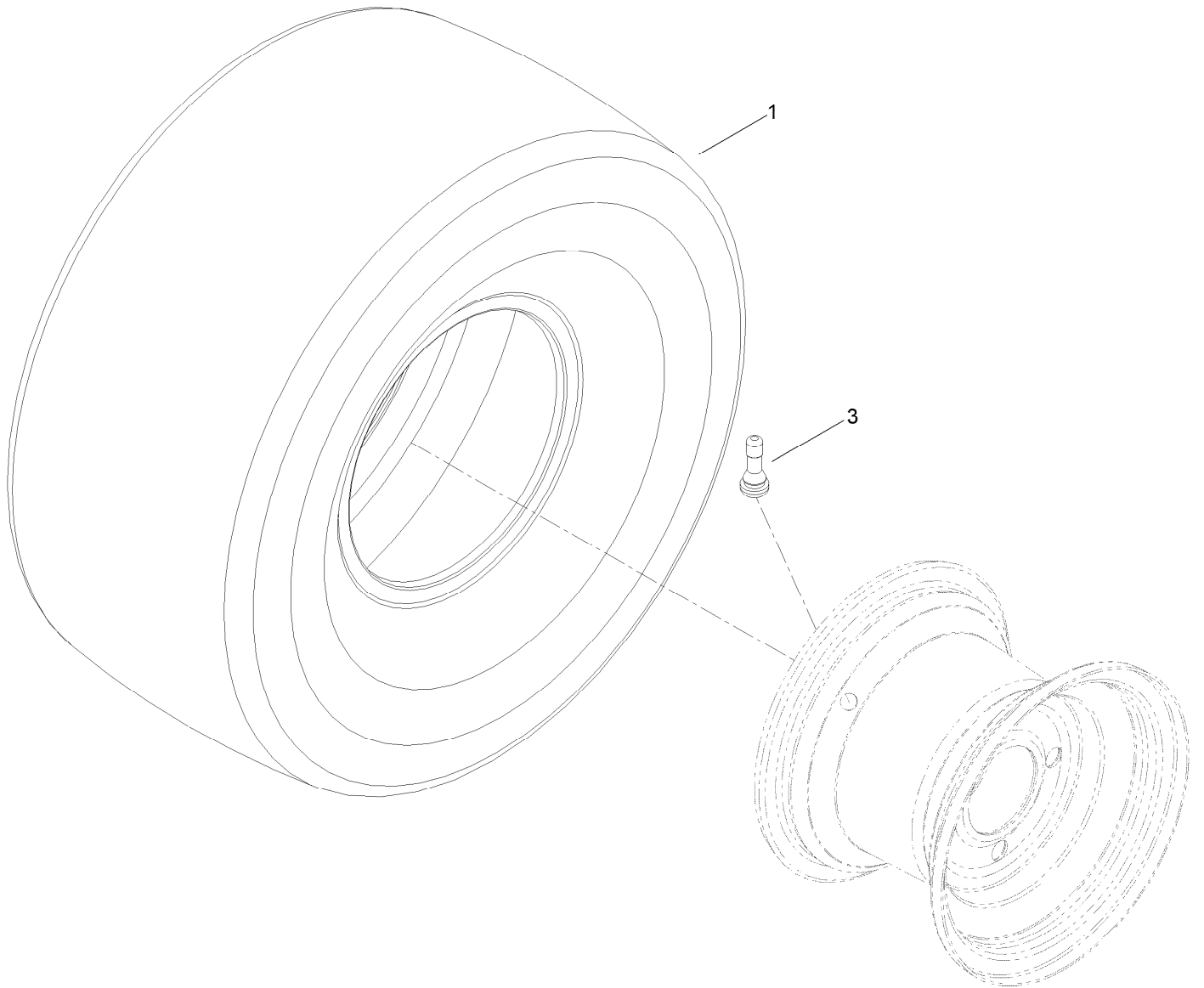
Hydo Transaxle Drive and Rear Wheel Assembly



Hydo Transaxle Drive and Rear Wheel Assembly (continued)

| <i>Ref.</i> | <i>Part Number</i> | <i>Qty.</i> | <i>Description</i> | <i>Ref.</i> | <i>Part Number</i> | <i>Qty.</i> | <i>Description</i> |
|-------------|--------------------|-------------|--------------------------|-------------|--------------------|-------------|--------------------|
| 1 | 119-3331 | 1 | RH Hydro Transaxle ASM | 21 | 119-3339-03 | 1 | Plate-Cross, Hydro |
| 2 | 119-3330 | 1 | LH Hydro Transaxle ASM | 22 | 3234-29 | 4 | Screw-HHF |
| 4 | 322-11 | 4 | Screw-HH | 23 | 3290-307 | 2 | Pin-Cotter |
| 5 | 322-13 | 4 | Screw-HH | 24 | 130-7049 | 1 | Rod-Bypass, RH |
| 6 | 104-8300 | 12 | Nut-Flange, NI | 26 | 3296-48 | 6 | Nut-Lock, NI |
| 16 | 131-3671 | 2 | 2 Ply Wheel And Tire ASM | 27 | 3256-25 | 6 | Washer-Flat |
| 17 | 242-50 | 8 | Nut-Lug | 28 | 324-8 | 2 | Screw-HH |
| 18 | 117-7264-03 | 2 | Mount-Hydro | 29 | 119-8952 | 2 | Washer |
| 19 | 131-0900 | 1 | Rod-Bypass, LH | 30 | 3256-23 | 6 | Washer-Flat |
| 20 | 324-10 | 4 | Screw-HH | | | | |

2 Ply Wheel and Tire Assembly No. 131-3671

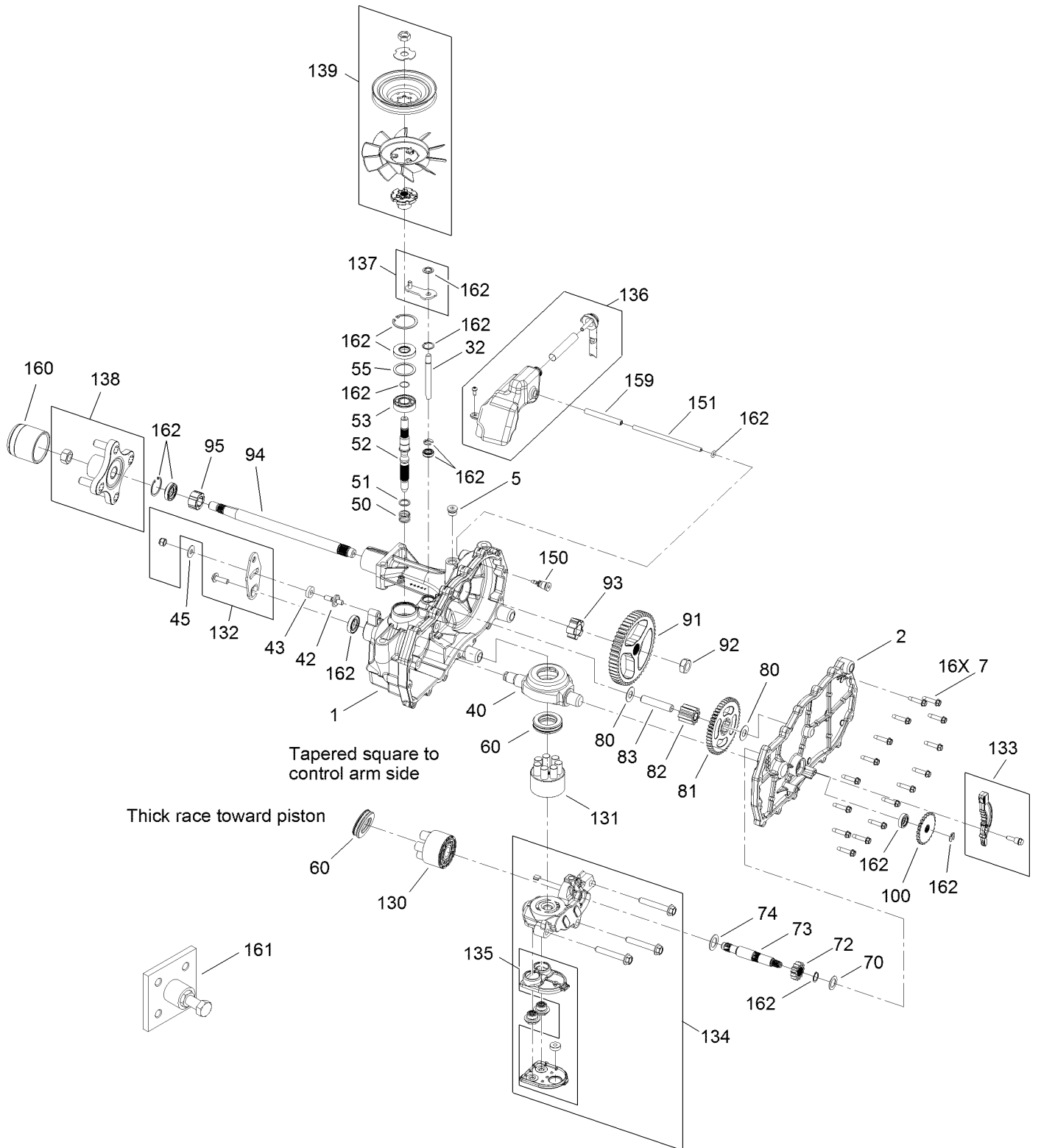


2 Ply Wheel and Tire Assembly No. 131-3671 (continued)

| <i>Ref.</i> | <i>Part Number</i> | <i>Qty.</i> | <i>Description</i> |
|-------------|--------------------|-------------|--------------------|
| 1 | 131-3678 | 1 | Tire-2 Ply |
| 3 | 232-27 | 1 | Stem-Valve |
| 99 | 107-2491 | 1 | Tube-Tire ● |

● Not illustrated

Left Hand Hydro Transaxle Assembly No. 119-3330

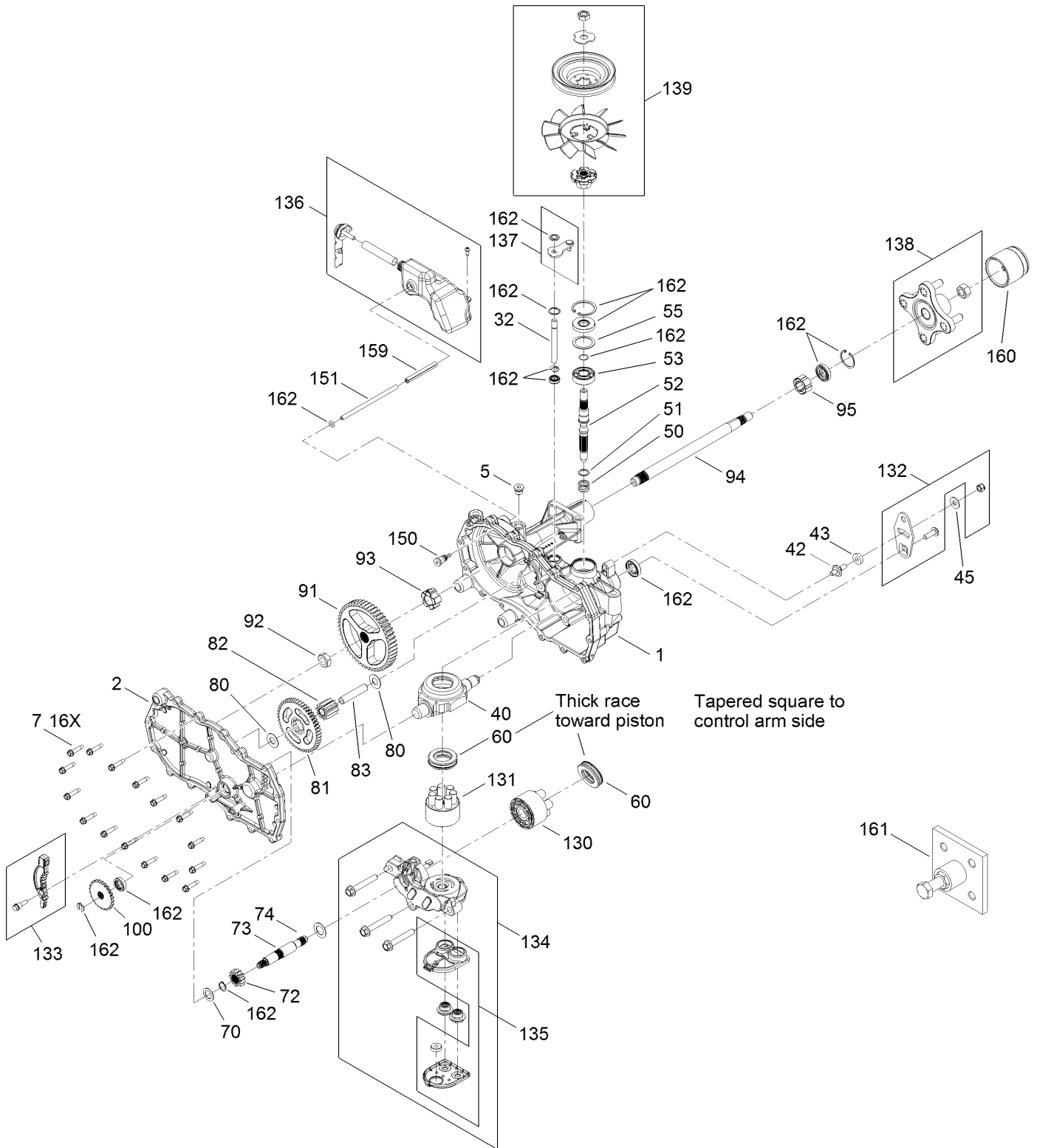


Left Hand Hydro Transaxle Assembly No. 119-3330 (continued)

| <i>Ref.</i> | <i>Part Number</i> | <i>Qty.</i> | <i>Description</i> | <i>Ref.</i> | <i>Part Number</i> | <i>Qty.</i> | <i>Description</i> |
|-------------|--------------------|-------------|-----------------------|-------------|--------------------|-------------|---------------------------|
| 1 | 120-5532 | 1 | Main Housing ASM | 83 | 104-5329 | 1 | Pin-Jackshaft |
| 2 | 120-5534 | 1 | Housing Side Kit | 91 | 120-5539 | 1 | Gear-Bull |
| 5 | 104-2189 | 1 | Plug-Thread, Straight | 92 | 104-2142 | 1 | Nut-HJ |
| 7 | 117-5359 | 16 | Screw-HHF | 93 | 115-8314 | 1 | Bushing-Inboard |
| 13 | 104-2147 | 1 | Sealant ● | 94 | 120-5540 | 1 | Shaft-Axle |
| 32 | 106-8678 | 2 | Rod-Bypass | 95 | 120-5541 | 1 | Bearing-Sleeve |
| 40 | 104-5304 | 1 | Swashplate-Trunnion | 100 | 106-8694 | 1 | Disc-Brake, Cog |
| 42 | 104-2116 | 1 | Stud | 130 | 103-2666 | 1 | Cylinder Block Kit |
| 43 | 112-9853 | 1 | Puck-Friction | 131 | 110-8561 | 1 | Pump Block ASM |
| 45 | 114-8491 | 1 | Washer | 132 | 117-5362 | 1 | Arm Control Kit |
| 50 | 120-5537 | 1 | Spring-Compression | 133 | 106-8688 | 1 | Brake Arm Kit |
| 51 | 120-5538 | 1 | Washer | 134 | 112-9861 | 1 | Center Section Filter Kit |
| 52 | 104-5306 | 1 | Shaft-Input | 135 | 114-1634 | 1 | Filter Kit |
| 53 | 104-5311 | 1 | Bearing-Ball | 136 | 121-5730 | 1 | RH Expansion Tank Kit |
| 55 | 104-5308 | 1 | Spacer | 137 | 120-5549 | 1 | Bypass Kit |
| 60 | 94-6922 | 1 | Bearing-Thrust | 138 | 121-5731 | 1 | Hub Kit |
| 70 | 104-5339 | 1 | Washer-Flat | 139 | 121-5729 | 1 | Fan Pulley Kit |
| 72 | 104-5316 | 1 | Gear-Pinion, 13T | 150 | 104-5349 | 1 | Fitting-Sae |
| 73 | 106-8683 | 1 | Shaft-Motor | 151 | 115-8302 | 1 | Hose |
| 74 | 104-5360 | 1 | Washer | 159 | 121-5728 | 1 | Case-Tube |
| 80 | 119-5541 | 2 | Washer | 160 | 125-0041 | 1 | Cap-Axle |
| 81 | 104-5317 | 1 | Gear-10T/48T | 161 | 114-8467 | 1 | Hub-Puller, 4 Bolt |
| 82 | 104-5318 | 1 | Gear-Jackshaft, 10T | 162 | 120-7103 | 1 | Seal And Ring Kit |

● Not illustrated

Right Hand Hydro Transaxle Assembly No. 119-3331

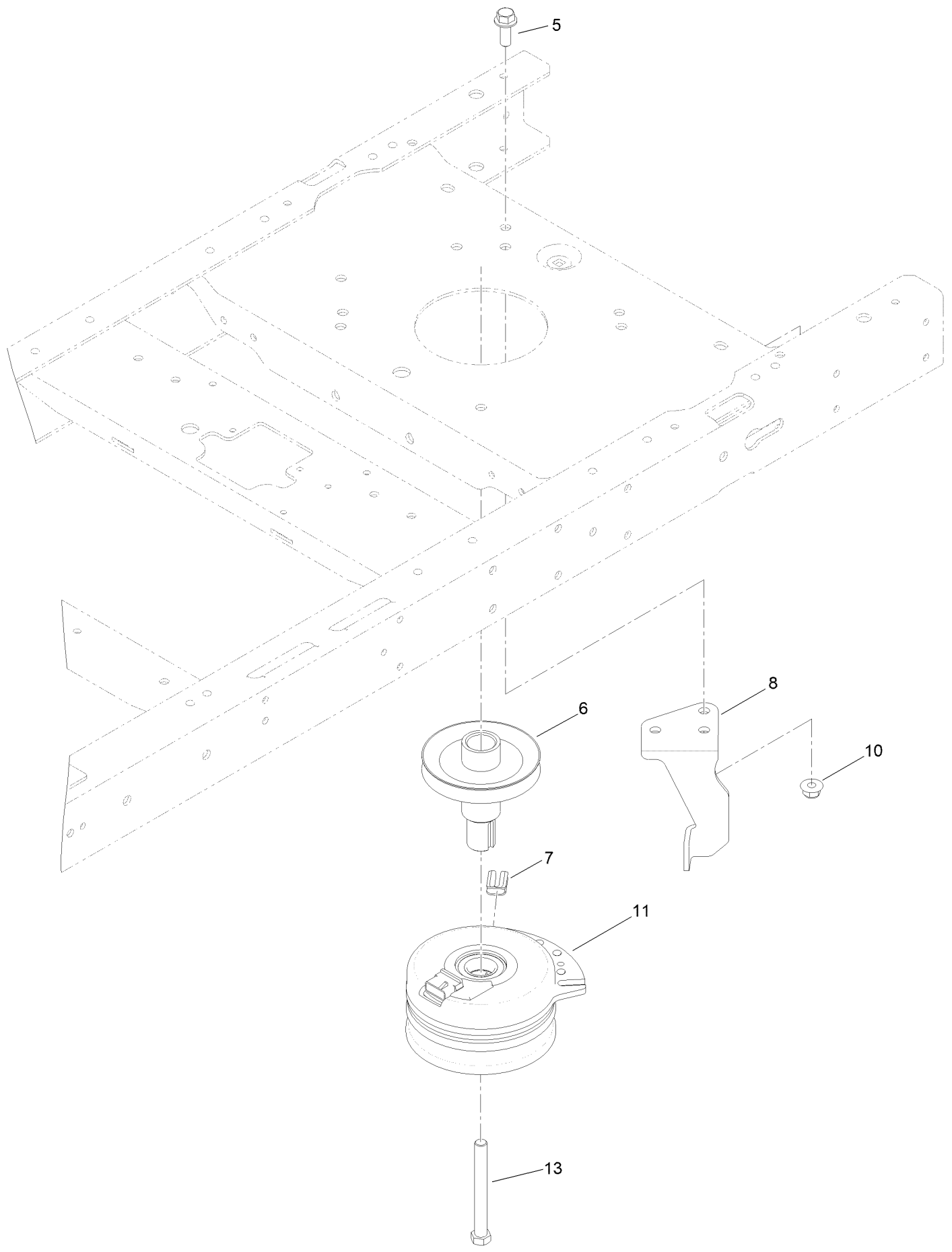


Right Hand Hydro Transaxle Assembly No. 119-3331 (continued)

| <i>Ref.</i> | <i>Part Number</i> | <i>Qty.</i> | <i>Description</i> | <i>Ref.</i> | <i>Part Number</i> | <i>Qty.</i> | <i>Description</i> |
|-------------|--------------------|-------------|-----------------------|-------------|--------------------|-------------|---------------------------|
| 1 | 120-5531 | 1 | Main Housing ASM | 83 | 104-5329 | 1 | Pin-Jackshaft |
| 2 | 120-5533 | 1 | Housing Side Kit | 91 | 120-5539 | 1 | Gear-Bull |
| 5 | 104-2189 | 1 | Plug-Thread, Straight | 92 | 104-2142 | 1 | Nut-HJ |
| 7 | 117-5359 | 16 | Screw-HHF | 93 | 115-8314 | 1 | Bushing-Inboard |
| 13 | 104-2147 | 1 | Sealant ● | 94 | 120-5540 | 1 | Shaft-Axle |
| 32 | 106-8678 | 2 | Rod-Bypass | 95 | 120-5541 | 1 | Bearing-Sleeve |
| 40 | 104-5304 | 1 | Swashplate-Trunnion | 100 | 106-8694 | 1 | Disc-Brake, Cog |
| 42 | 104-2116 | 1 | Stud | 130 | 103-2666 | 1 | Cylinder Block Kit |
| 43 | 112-9853 | 1 | Puck-Friction | 131 | 110-8561 | 1 | Pump Block ASM |
| 45 | 114-8491 | 1 | Washer | 132 | 117-5362 | 1 | Arm Control Kit |
| 50 | 120-5537 | 1 | Spring-Compression | 133 | 106-8688 | 1 | Brake Arm Kit |
| 51 | 120-5538 | 1 | Washer | 134 | 112-9862 | 1 | Center Section Filter Kit |
| 52 | 104-5306 | 1 | Shaft-Input | 135 | 114-1634 | 1 | Filter Kit |
| 53 | 104-5311 | 1 | Bearing-Ball | 136 | 121-5735 | 1 | LH Expansion Tank Kit |
| 55 | 104-5308 | 1 | Spacer | 137 | 107-2489 | 1 | Bypass Arm Kit |
| 60 | 94-6922 | 1 | Bearing-Thrust | 138 | 121-5731 | 1 | Hub Kit |
| 70 | 104-5339 | 1 | Washer-Flat | 139 | 121-5729 | 1 | Fan Pulley Kit |
| 72 | 104-5316 | 1 | Gear-Pinion, 13T | 150 | 104-5349 | 1 | Fitting-Sae |
| 73 | 106-8683 | 1 | Shaft-Motor | 151 | 115-8302 | 1 | Hose |
| 74 | 104-5360 | 1 | Washer | 159 | 121-5728 | 1 | Case-Tube |
| 80 | 119-5541 | 2 | Washer | 160 | 125-0041 | 1 | Cap-Axle |
| 81 | 104-5317 | 1 | Gear-10T/48T | 161 | 114-8467 | 1 | Hub-Puller, 4 Bolt |
| 82 | 104-5318 | 1 | Gear-Jackshaft, 10T | 162 | 120-7103 | 1 | Seal And Ring Kit |

● Not illustrated

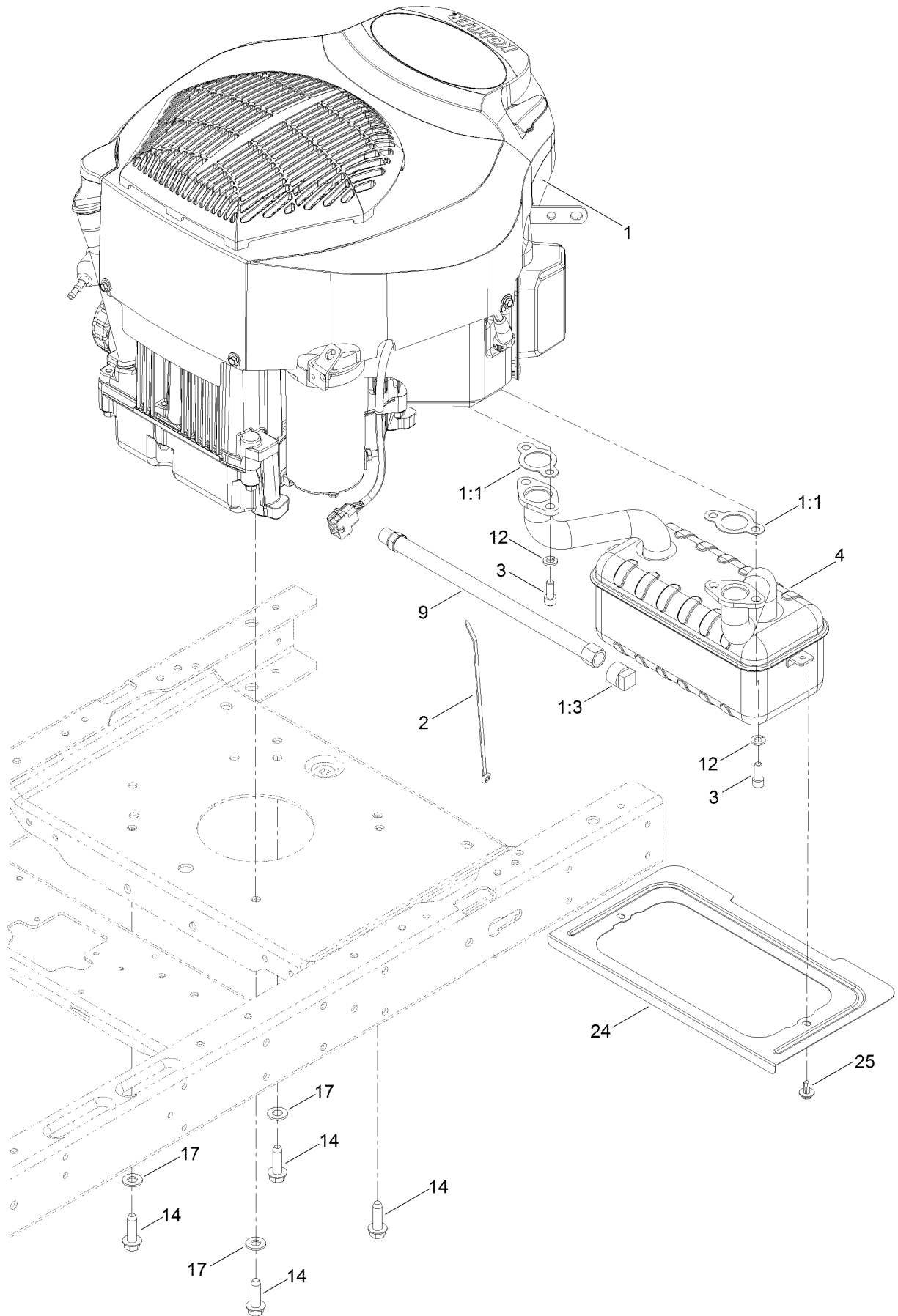
Clutch Assembly



Clutch Assembly (continued)

| <i>Ref.</i> | <i>Part Number</i> | <i>Qty.</i> | <i>Description</i> | <i>Ref.</i> | <i>Part Number</i> | <i>Qty.</i> | <i>Description</i> |
|-------------|--------------------|-------------|--------------------|-------------|--------------------|-------------|--------------------|
| 5 | 3234-42 | 1 | Screw-HHF | 10 | 104-8301 | 1 | Nut-Flange, NI |
| 6 | 130-6854 | 1 | Pulley-Engine | 11 | 117-7468 | 1 | Clutch-Electric |
| 7 | 120-2217 | 1 | Isolator-Clutch | 13 | 3212-16 | 1 | Screw-HH |
| 8 | 119-8884 | 1 | Stop-Clutch | | | | |

Engine and Muffler Assembly



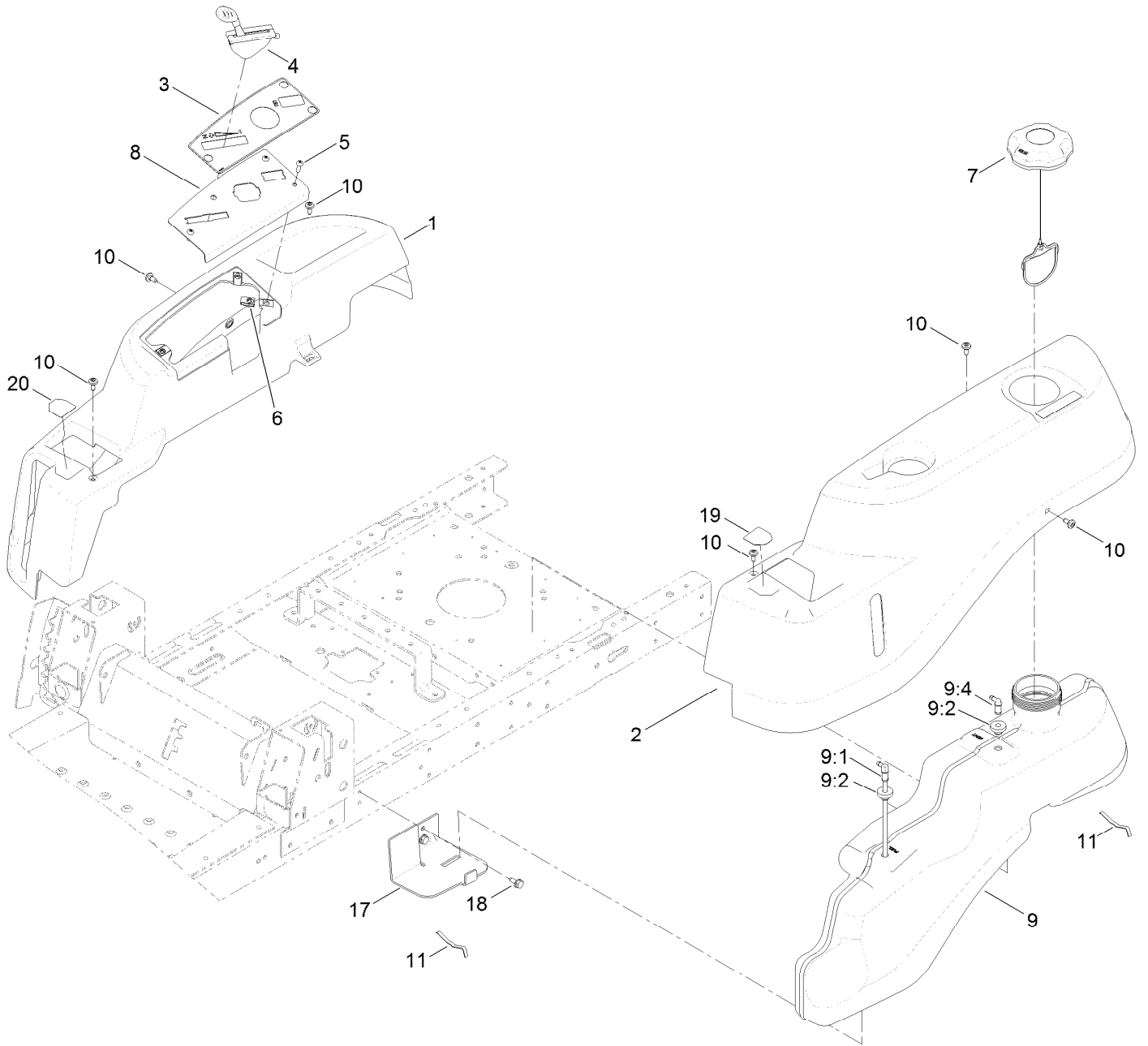
Engine and Muffler Assembly (continued)

| <i>Ref.</i> | <i>Part Number</i> | <i>Qty.</i> | <i>Description</i> | <i>Ref.</i> | <i>Part Number</i> | <i>Qty.</i> | <i>Description</i> |
|-------------|--------------------|-------------|---|-------------|--------------------|-------------|--------------------|
| 1 | | 1 | Engine-Kohler 22HP 7000 Series Autochoke ●■ | 9 | 117-1261 | 1 | Hose-Drain, Oil |
| 1:1 | 110-6697 | 2 | Gasket-Exhaust | 12 | 3253-4 | 4 | Washer-Lock |
| 1:3 | 281-2 | 1 | Plug-Pipe, SQH | 14 | 32144-109 | 4 | Screw-Taptite |
| 2 | 614249 | 1 | Tie-Cable | 17 | 3256-24 | 3 | Washer-Flat |
| 3 | 3274-10 | 4 | Screw-HSH | 24 | 131-1071-03 | 1 | Shield-Heat |
| 4 | 130-0676 | 1 | Muffler | 25 | 46-8560 | 2 | Screw-HHFTF |

● Not serviced separately

■ Obtain parts from www.kohlerplus.com

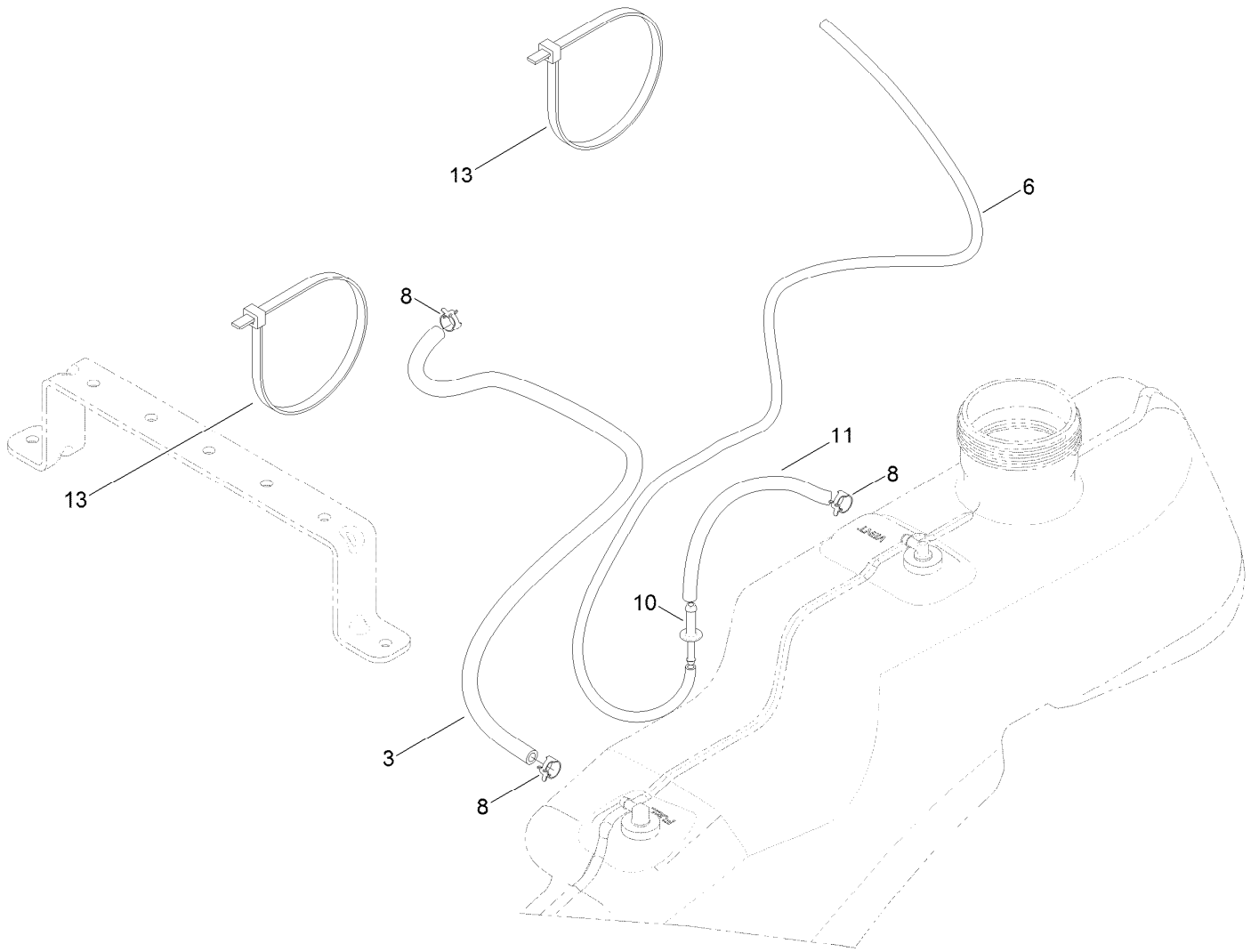
Body Styling and Fuel Tank Assembly



Body Styling and Fuel Tank Assembly (continued)

| <i>Ref.</i> | <i>Part Number</i> | <i>Qty.</i> | <i>Description</i> | <i>Ref.</i> | <i>Part Number</i> | <i>Qty.</i> | <i>Description</i> |
|-------------|--------------------|-------------|----------------------------|-------------|--------------------|-------------|-------------------------|
| 1 | 119-3335 | 1 | Pod-RH | 9:1 | 121-0793 | 1 | Connector-Elbow, 90 DEG |
| 2 | 119-3334 | 1 | Pod-LH | 9:2 | 46-6560 | 2 | Bushing |
| 3 | 131-4161 | 1 | Decal-Panel, Control | 9:4 | 117-7400 | 1 | Fitting-Plastic |
| 4 | 121-5674 | 1 | Cable-Throttle (45.0 Inch) | 10 | 120-7950 | 6 | Screw-Shoulder |
| 5 | 3258-166 | 3 | Screw-PRH | 11 | 609830 | 2 | Spring |
| 6 | 107069 | 3 | Clip | 17 | 119-3476-03 | 1 | Support-Tank, Front |
| 7 | 120-5461 | 1 | Cap-Fuel, Ratcheting | 18 | 32144-70 | 2 | Screw-HWHTF |
| 8 | 119-3378-03 | 1 | Plate-Control | 19 | 119-8814 | 1 | Decal-Control Lever, LH |
| 9 | 119-3324 | 1 | Fuel Tank ASM | 20 | 119-8815 | 1 | Decal-Control Lever, RH |

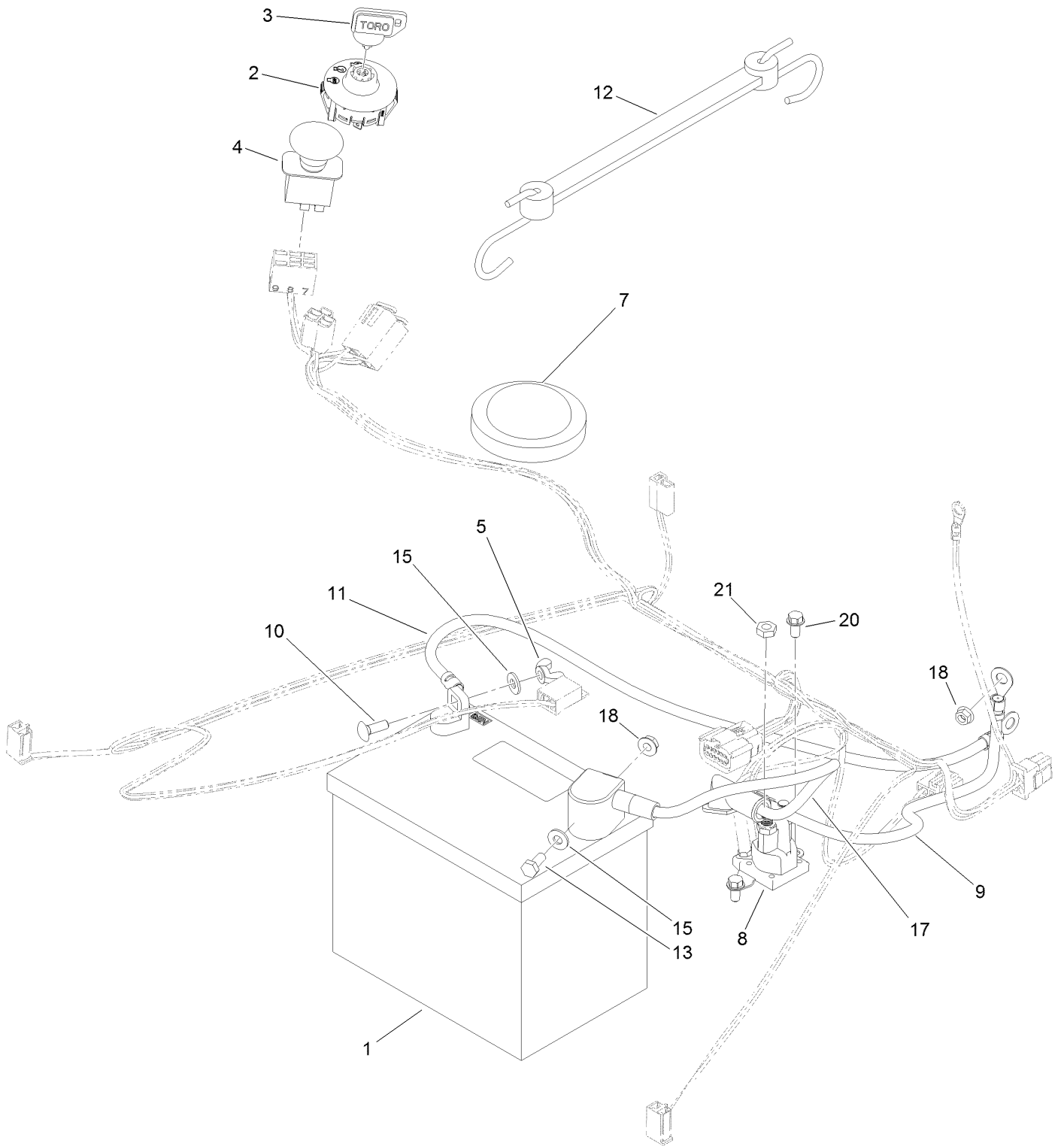
Fuel Delivery Assembly



Fuel Delivery Assembly (continued)

| <i>Ref.</i> | <i>Part Number</i> | <i>Qty.</i> | <i>Description</i> | <i>Ref.</i> | <i>Part Number</i> | <i>Qty.</i> | <i>Description</i> |
|-------------|--------------------|-------------|--------------------|-------------|--------------------|-------------|--------------------|
| 3 | 109-0273 | 1 | Hose-Fuel | 10 | 117-5399 | 1 | Adaptor-Orifice |
| 6 | 108-9698 | 1 | Hose-Fuel | 11 | 110-1876 | 1 | Hose-Fuel |
| 8 | 2412-98 | 3 | Clamp-Hose | 13 | 3334-945 | 2 | Tie-Cable |

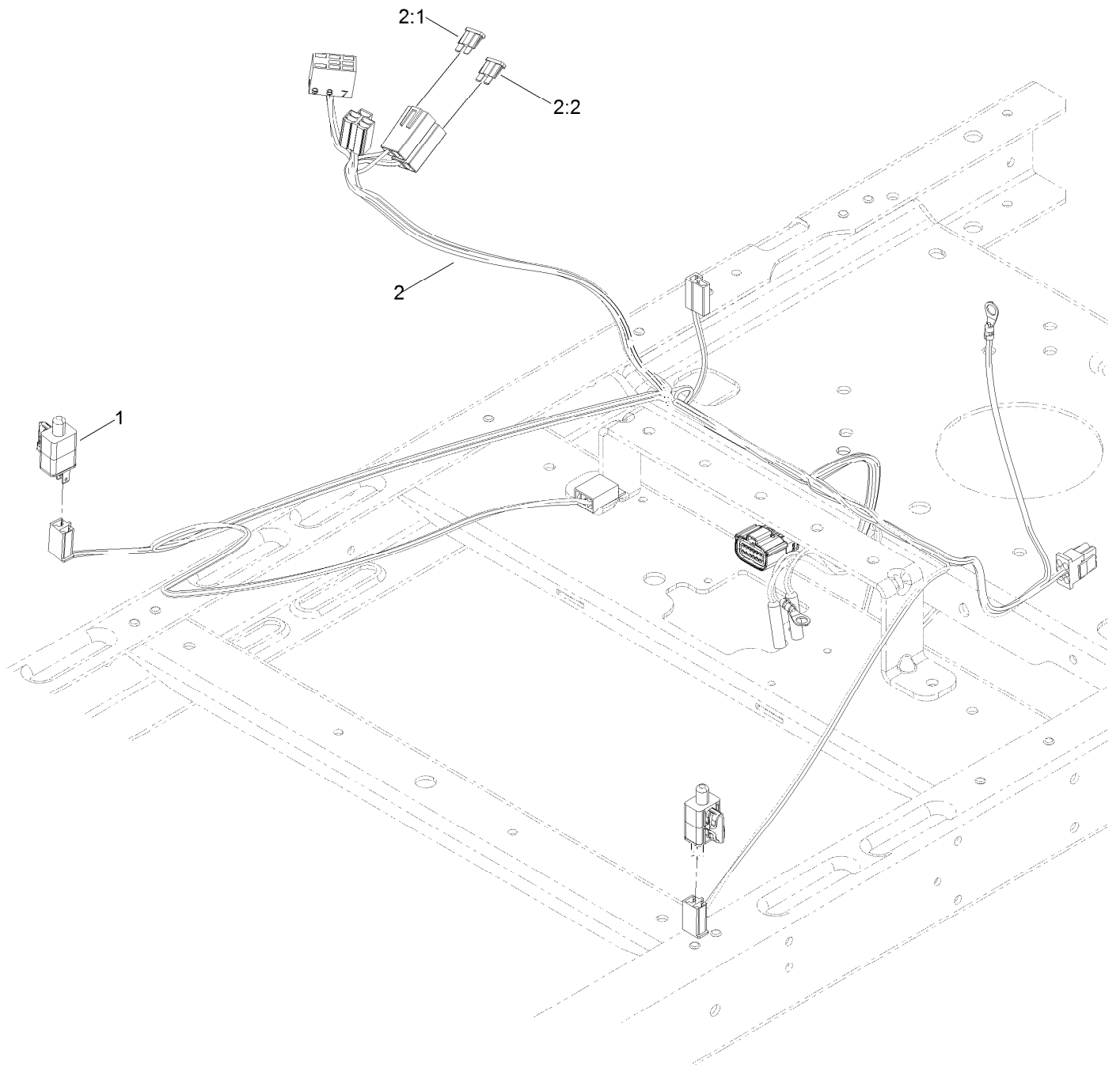
Battery and Electrical Assembly



Battery and Electrical Assembly (continued)

| <i>Ref.</i> | <i>Part Number</i> | <i>Qty.</i> | <i>Description</i> | <i>Ref.</i> | <i>Part Number</i> | <i>Qty.</i> | <i>Description</i> |
|-------------|--------------------|-------------|-------------------------|-------------|--------------------|-------------|----------------------|
| 1 | 105-1692 | 1 | Battery-Dry | 11 | 121-5726 | 1 | Cable-Battery, Black |
| 2 | 117-2221 | 1 | Switch-Ignition | 12 | 104-2466 | 1 | Holddown-Battery |
| 3 | 63-8360 | 1 | Key-Ignition | 13 | 321-3 | 1 | Screw-HH |
| 4 | 103-5221 | 1 | Switch-PTO | 15 | 3256-22 | 2 | Washer-Flat |
| 5 | 32103-22 | 1 | Nut-Wing | 17 | 119-8897 | 1 | Cable-Battery, Red |
| 7 | 100-3524 | 1 | Switch-Seat | 18 | 32128-33 | 2 | Nut-HF |
| 8 | 117-1197 | 1 | Solenoid | 20 | 32144-4 | 2 | Screw-HWH |
| 9 | 121-0711 | 1 | Cable-Battery, Positive | 21 | 3220-2 | 2 | Nut-Jam |
| 10 | 3229-1 | 1 | Bolt-CARR | | | | |

Fuse and Wire Harness Assembly

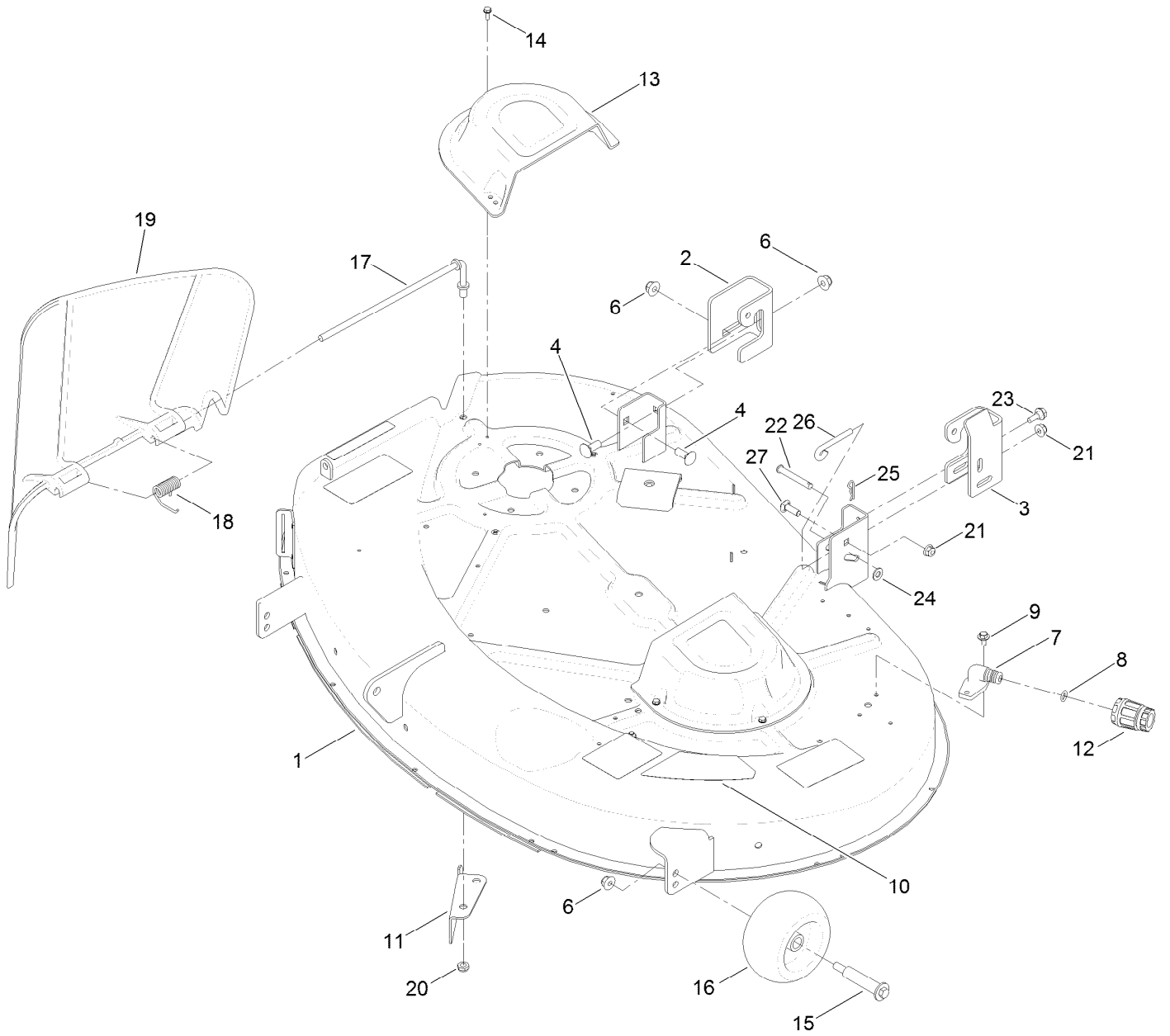


Fuse and Wire Harness Assembly (continued)

| <i>Ref.</i> | <i>Part Number</i> | <i>Qty.</i> | <i>Description</i> | <i>Ref.</i> | <i>Part Number</i> | <i>Qty.</i> | <i>Description</i> |
|-------------|--------------------|-------------|--------------------|-------------|--------------------|-------------|--------------------|
| 1 | 110-6765 | 2 | Switch | 2:1 | 109103 | 1 | Fuse-Blade, 30 Amp |
| 2 | 132-0924 | 1 | Harness-Wire ● | 2:2 | 109102 | 1 | Fuse-Blade, 25 Amp |

● Use dielectric grease on all unsealed connectors and terminals only. Do not apply in sealed connectors.

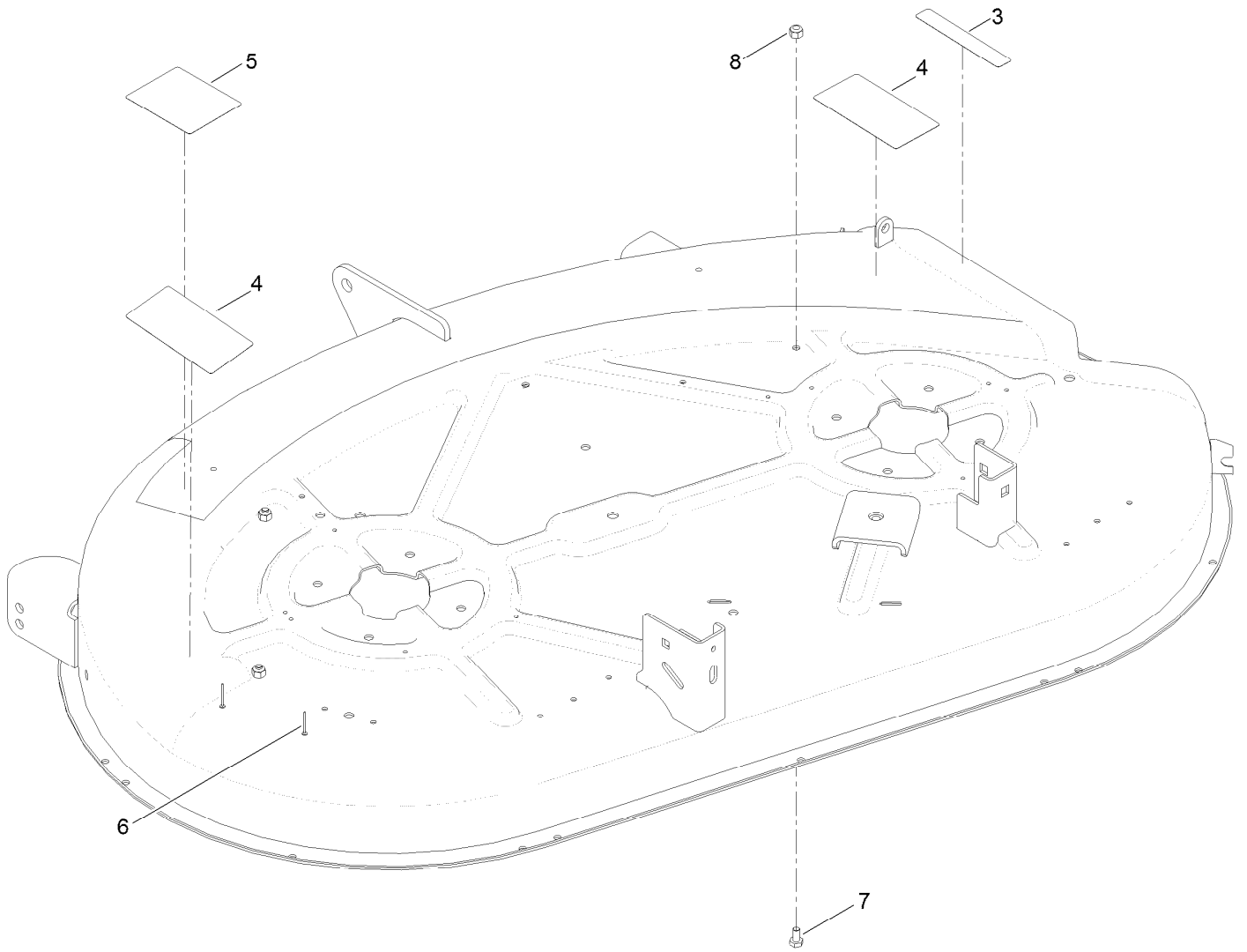
42 Inch Deck Assembly



42 Inch Deck Assembly (continued)

| <i>Ref.</i> | <i>Part Number</i> | <i>Qty.</i> | <i>Description</i> | <i>Ref.</i> | <i>Part Number</i> | <i>Qty.</i> | <i>Description</i> |
|-------------|--------------------|-------------|-------------------------------|-------------|--------------------|-------------|---------------------|
| 1 | 131-3604 | 1 | 42 Inch Deck And Decal ASM | 15 | 112-3977 | 2 | Bolt-Shoulder |
| 2 | 131-4138 | 1 | Bracket-Hanger, RH | 16 | 1-603299 | 2 | Roller-Scalp, Anti |
| 3 | 131-1091 | 1 | Bracket-Hanger, LH | 17 | 112-4026 | 1 | Rod-Pivot |
| 4 | 3231-2 | 2 | Bolt-CARR | 18 | 110-6694 | 1 | Spring-Torsion |
| 6 | 104-8301 | 4 | Nut-Flange, NI | 19 | 112-3951 | 1 | Deflector |
| 7 | 95-2747 | 1 | Fitting-Washout | 20 | 3296-59 | 1 | Nut-Lock, NI |
| 8 | 46-6290 | 1 | O-Ring | 21 | 104-8300 | 2 | Nut-Flange, NI |
| 9 | 46-8560 | 2 | Screw-HHFTF | 22 | 110-0618 | 1 | Pin-Clevis |
| 10 | 117-1222 | 1 | Decal | 23 | 120-7024 | 1 | Screw-Shoulder, HHF |
| 11 | 112-3983-03 | 1 | Baffle-Cutoff | 24 | 3256-23 | 1 | Washer-Flat |
| 12 | 95-3270 | 1 | Connector-Hose | 25 | 1-806003 | 1 | Pin-Cotter |
| 13 | 108-7889 | 2 | Cover-Belt | 26 | 131-0955 | 1 | Rod-Level, Deck |
| 14 | 32144-1 | 6 | Screw-Taptite | 27 | 3230-22 | 1 | Screw-CARR |

42 Inch Deck Assembly No. 131-3604

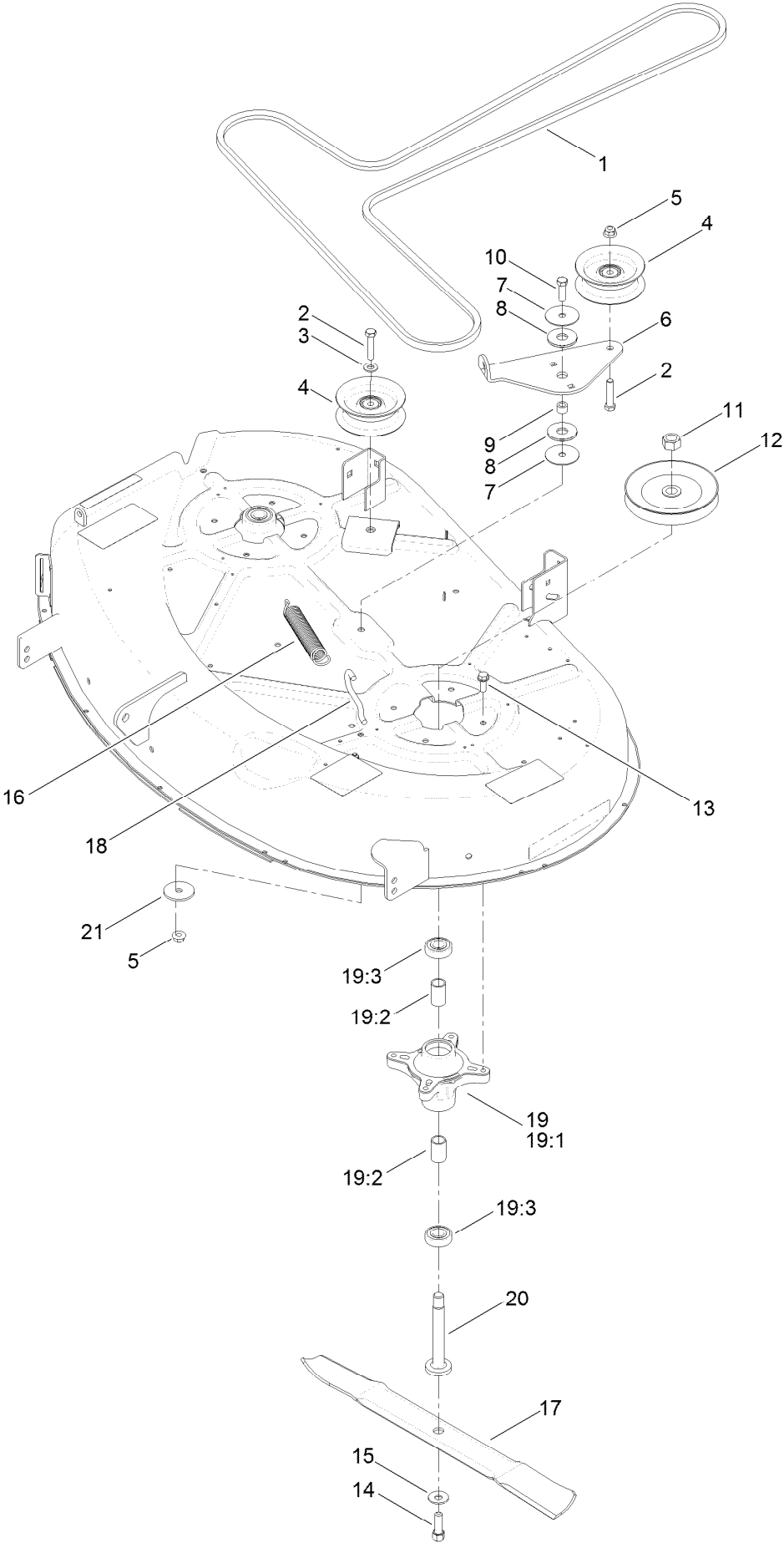


42 Inch Deck Assembly No. 131-3604 (continued)

| <i>Ref.</i> | <i>Part Number</i> | <i>Qty.</i> | <i>Description</i> |
|-------------|--------------------|-------------|---------------------|
| 3 | 93-7009 | 1 | Decal-Danger |
| 4 | 132-0872 | 2 | Decal-Danger, Deck |
| 5 | 105-7015 | 1 | Decal-Routing, Belt |

| <i>Ref.</i> | <i>Part Number</i> | <i>Qty.</i> | <i>Description</i> |
|-------------|--------------------|-------------|--------------------|
| 6 | 3290-282 | 2 | Rivet-Blind |
| 7 | 321-2 | 3 | Screw-HH |
| 8 | 3296-42 | 3 | Nut-Lock, NI |

42 Inch Deck, Belt and Blade Assembly



42 Inch Deck, Belt and Blade Assembly (continued)

| <i>Ref.</i> | <i>Part Number</i> | <i>Qty.</i> | <i>Description</i> | <i>Ref.</i> | <i>Part Number</i> | <i>Qty.</i> | <i>Description</i> |
|-------------|--------------------|-------------|----------------------------|-------------|--------------------|-------------|-----------------------------|
| 1 | 119-8819 | 1 | V-Belt | 13 | 32144-41 | 8 | Screw-Taptite |
| 2 | 323-9 | 2 | Screw-HH | 14 | 26-0671 | 2 | Screw-HH |
| 3 | 3256-24 | 1 | Washer-Flat | 15 | 3290-465 | 2 | Washer-Belleville |
| 4 | 106-2175 | 2 | Pulley-Idler, Flat | 16 | 106-2177 | 1 | Spring-Extension |
| 5 | 104-8301 | 2 | Nut-Flange, NI | 17 | 131-3939-03 | 2 | Blade-High Lift, 21.60 Inch |
| 6 | 114-8540 | 1 | Arm-Idler | 18 | 88-5970 | 1 | Hook-Return, Spring |
| 7 | 120-2229 | 2 | Washer | 19 | 121-0751 | 2 | Spindle ASM |
| 8 | 114-0463 | 2 | Washer-Friction, Composite | 19:1 | 117-7267 | 1 | Spindle |
| 9 | 115-4986 | 1 | Spacer | 19:2 | 120-7935 | 2 | Spacer |
| 10 | 323-7 | 1 | Screw-HH | 19:3 | 38-7820 | 2 | Bearing-Ball |
| 11 | 3219-6 | 2 | Nut-Hex | 20 | 117-7268 | 2 | Shaft-Spindle |
| 12 | 125-5574 | 2 | Pulley | 21 | 63-7400 | 1 | Washer-Rebound |

Attachments and Accessories

For 74721 TimeCutter SS 4225 Riding Mower

| Product Name | Model/Part |
|---|-------------------|
| Attachment Mount Kit | 131-3966 |
| Weight Kit | 131-7658 |
| Cargo Carrier | 79040 |
| 42in Bagger, Zero-Turn-Radius Riding Mower | 79391 |
| 42in Blowout Ring Kit..... | 114-1620 |
| 42in Recycler Kit..... | 131-4182 |
| Striping Kit | 120-7905 |
| Replacement Blade Kit | 131-3939-03P |
| Foot Assist Deck Lift Kit, 2011 and After Zero-Turn-Radius Riding Mower | 79010 |
| Floor Mat Kit | 132-6921 |
| Seat With Armrests-18in..... | 119-8830 |
| Sunshade Kit | 79011 |
| Hourmeter Kit | 116-5461 |
| Assist Handle and Step Kit | 79339 |
| Storage Cover | 490-7516 |
| Fuel Stabilizer (4oz)..... | 117-0089 |
| Fuel Stabilizer (16oz)..... | 117-0090 |
| Oil-Synthetic, All Season | 117-0066 |
| 10w30 4-cycle Engine Oil (32oz Bottle) | 38280 |
| Toro 4-cycle Sae 30 Oil (32oz Bottle)..... | 38903 |
| Deluxe Seat Kit | 131-7699 |
| Jack Mount Kit | 126-5251 |
| Jack Kit..... | 127-6666 |

Notes:

Notes:

Notes:



Count on it.