



**Count on it.**

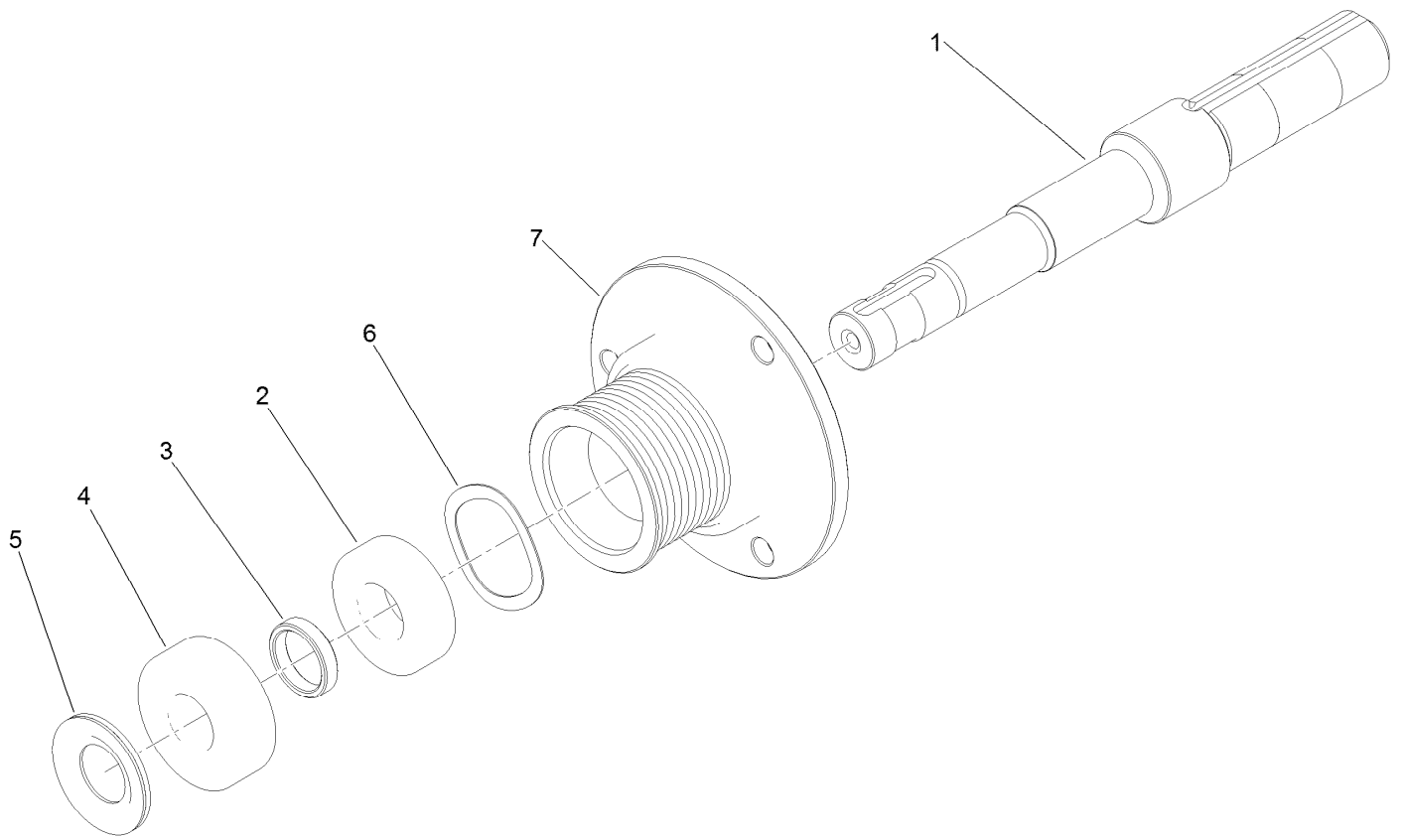
**Parts Catalog**

**Clutch Shaft Service Kit**

**Greensmaster® Flex™ 1800/2100 Traction Unit**

**Model No. 131-8795**





## Clutch Shaft Assembly No. 131-8795

<i>Ref.</i>	<i>Part Number</i>	<i>Qty.</i>	<i>Description</i>
1	130-9402	1	Shaft-Clutch
2	251-336	1	Bearing-Ball
3	130-9403	1	Spacer-Bearing
4	115-6869	1	Bearing-Ball, Stainless
5	115-6923	1	Shield-Bearing, Flocked
6	112-5163	1	Washer-Wave
7	131-8796	1	Pulley-Drive