



**Count on it.**

**Parts Catalog**

**Groundsmaster® 7210 Series  
Traction Unit**

Model No. 30695—Serial No. 315000501 and Up



# Ordering Replacement Parts

To order replacement parts, please supply the part number, the quantity, and the description of each part desired.

## Understanding Reference Numbers

Each identified part in an illustration has a reference number. The reference number for a part also appears in the parts list, along with other information about the part.

This catalog uses two special reference number formats, one to indicate parts in a service assembly and another to indicate the quantity of a given part in an illustration.

## Service Assembly Reference Numbers

Parts in service assemblies have reference numbers in the form a:b. The a represents the reference number of the entire service assembly and the b represents a sequential number unique to each part within the service assembly.

For example, a wheel assembly might be identified by reference number 6, the tire by 6:1, the valve by 6:2, and the wheel by 6:3. When you order the assembly identified by reference number 6, you receive all parts identified by reference numbers 6:1, 6:2, and 6:3. However, you may also order any part individually. Reference numbers of this type appear in illustration and in parts lists.

## Reference Numbers Indicating Quantity

In an illustration, if a reference number indicates more than one part, the reference number has the form nX y. The n represents the quantity of the part, the X is the multiplication symbol, and the y represents the reference number.

For example, in an illustration, the reference number 2X 37 means that two of the parts identified by reference number 37 are indicated.

# List of Abbreviations

**AR:** as required

**ASM:** assembly

**BBC:** blade brake control

**BHTF:** button head thread forming

**CARR:** carriage

**CCW:** counter clockwise

**CW:** clockwise

**DEG:** degrees

**DPA:** Dual Point Adjustment

**ECM:** electronic control module

**EXT:** external

**FH:** flat head

**GA:** gauge

**HD:** heavy-duty

**HF:** hex flange

**HH:** hex head

**HHF:** hex head flange

**HHFTF:** hex head flange thread forming

**HJ:** hex jam

**HLH:** hex lag head

**HOC:** height-of-cut

**HP:** high pressure

**HSBH:** hex socket button head

**HSFH:** hex socket flat head

**HSH:** hex socket head

**HWH:** hex washer head

**HWHTF:** hex washer head thread forming

**HYD:** hydraulic

**LH:** left hand

**LP:** low pressure

**LPG:** Liquefied Petroleum Gas

**NI:** nylon insert

**NPTF:** national pipe thread fine

**PFH:** phillips flat head

**PPH:** phillips pan head

**PPHTF:** phillips pan head thread forming

**PRH:** phillips round head

**PTH:** phillips truss head

**PTO:** power-take-off

**RH:** right hand

**ROPS:** roll-over protection system

**RRB:** rear roller brush

**SFH:** slotted fillister head

**SHH:** slotted hex head

**SHWH:** slotted hex washer head

**SPH:** slotted pan head

**SQH:** square head

**SRH:** slotted round head

**STD:** standard

**TAP:** self tapping

**TTH:** torx truss head

# Contents

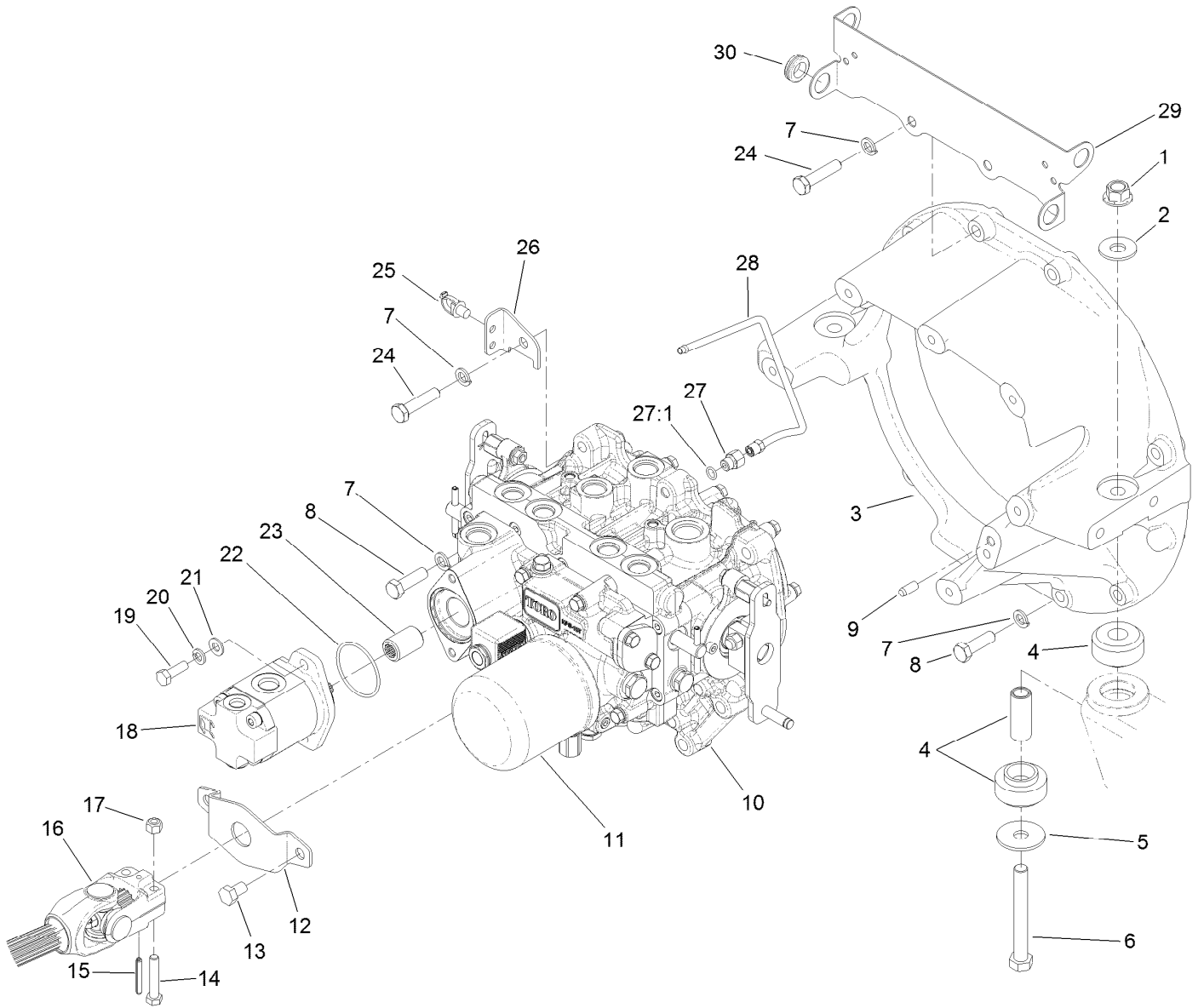
Transmission Assembly .....	6
Charge Pump Housing Assembly Transmission Assembly No. 131-5510 .....	8
Center Section Assembly Transmission Assembly No. 131-5510 .....	10
Gear Case and Clutch Assembly Transmission Assembly No. 131-5510 .....	12
Driveshaft Assembly No. 110-3575 .....	14
Hydraulic Gear Pump Assembly No. 112-9542 .....	15
Rear Drive Assembly .....	16
Hydraulic Motor Assembly No. 108-5155 .....	17
Hydraulic Motor Assembly No. 108-5230 .....	18
LH Brake Caliper Assembly No. 120-0013 .....	19
RH Brake Caliper Assembly No. 120-0014 .....	20
Brake Handle Assembly .....	21
Traction Control Assembly .....	22
Link Assembly No. 112-5099 .....	23
RH Lever Assembly No. 125-2687 .....	24
Control Panel Assembly .....	25
Left-Hand and Right-Hand Fuel Tank Assembly .....	26
LH Fuel Tank Assembly No. 131-5509 .....	27
RH Fuel Tank Assembly No. 110-8236 .....	28
Fuel System Assembly .....	29
Seat and Seat Plate Assembly .....	30
Seat Assembly No. 107-2286 .....	31
Carrier Frame and Weight Assembly .....	32
Carrier Frame Assembly No. 121-3356 .....	33
Lift Valve and Cylinder Assembly .....	34
Valve Assembly No. 131-1934 .....	35
Hydraulic Cylinder Assembly No. 110-9834 .....	36
Caster Wheel Assembly .....	37
Caster Wheel Assembly No. 108-9954 .....	38
Deck Lift Assembly .....	39
Battery and Relay Assembly .....	40
Main Wire Harness Assembly .....	41
Engine Harness Assembly .....	42
Hydraulic Reservoir Assembly .....	43
Hydraulic Reservoir Assembly No. 110-8237 .....	44
Hydraulic Hose Routing Assembly .....	45
Air Cleaner Assembly .....	46
Air Cleaner Assembly No. 104-3428 .....	47
Frame and Upper-ROPS Assembly .....	48
Engine Assembly .....	49
Radiator Assembly .....	50
Cooling Assembly No. 121-3330 .....	52
Hood Assembly .....	53
Cylinder Block Assembly .....	54
Gear Housing Assembly .....	56
Cylinder Head and Cover Assembly .....	58
Suction Manifold Assembly .....	60
Exhaust Manifold Assembly .....	62
Diesel Particulate Filter Assembly .....	64
Flywheel Housing and Oil Sump Assembly .....	66
Camshaft and Driving Gear Assembly .....	67
Crankshaft and Piston Assembly .....	68
Lubrication and Oil System Assembly .....	69
Cooling Water System Assembly .....	70

## Contents (continued)

Fuel System Assembly .....	72
Fuel Injection Valve Assembly .....	73
Starting Motor Assembly .....	74
Generator Assembly .....	76
Fuel Line Assembly .....	78
Electronic Control Unit Assembly .....	79
Electric Parts Assembly .....	80
Gasket Set .....	81
Attachments and Accessories .....	82



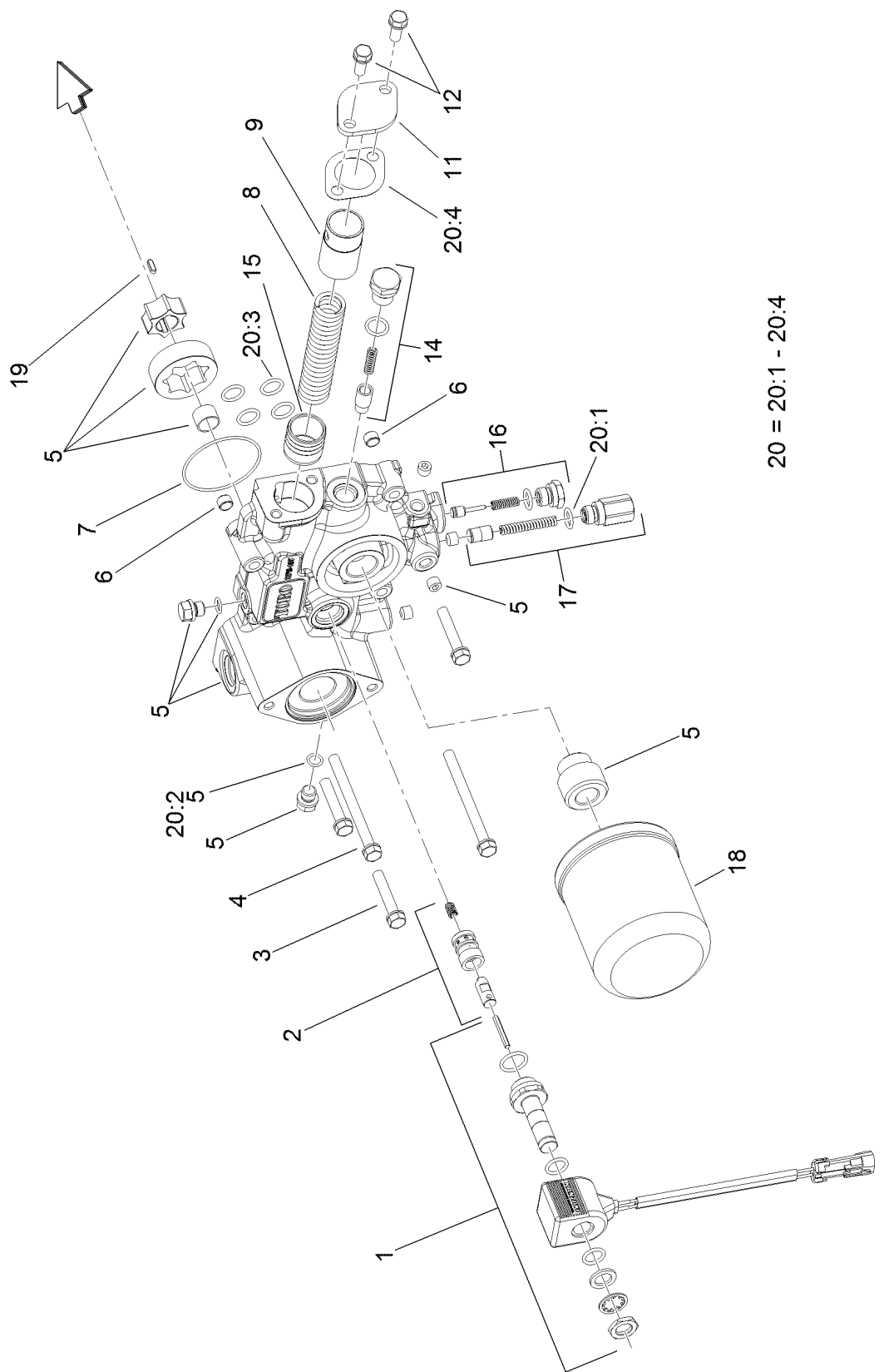
# Transmission Assembly



## Transmission Assembly (continued)

<i>Ref.</i>	<i>Part Number</i>	<i>Qty.</i>	<i>Description</i>	<i>Ref.</i>	<i>Part Number</i>	<i>Qty.</i>	<i>Description</i>
1	99-5107	2	Nut-Lock	17	3296-29	4	Nut-Lock, NI
2	3256-6	2	Washer-Flat	18	112-9542	1	HYD Gear Pump ASM
3	125-2836	1	Housing-Flywheel	19	33114-025	2	Screw-HH
4	120-9168	2	Mount-Rubber	20	3253-4	2	Washer-Lock
5	86-1990	2	Washer-Thrust	21	3256-23	2	Washer-Flat
6	325-17	2	Screw-HH	22	108-9919	1	O-Ring
7	48-9590	16	Washer-Lock	23	108-9920	1	Coupler-Spline
8	33115-035	3	Screw-HH	24	33115-045	13	Screw-HH
9	87-1910	2	Pin-Dowel	25	32180-030	1	Clip-Tie
10	131-5510	1	Transmisson ASM	26	120-0239	1	Support-Tube
11	108-5194	1	Filter-Oil, HYD	27	110-5536	1	Fitting-HYD, Adapter
12	114-4088	1	Shield-Seal	27:1	237-78	1	O-Ring
13	33115-016	2	Screw-HH	28	110-5537	1	Tube
14	322-9	4	Screw-HH	29	121-3360-03	1	Bracket-Wire
15	32121-34	2	Pin-Roll	30	99-3481	4	Grommet
16	110-3575	1	Driveshaft ASM				

# Charge Pump Housing Assembly Transmission Assembly No. 131-5510



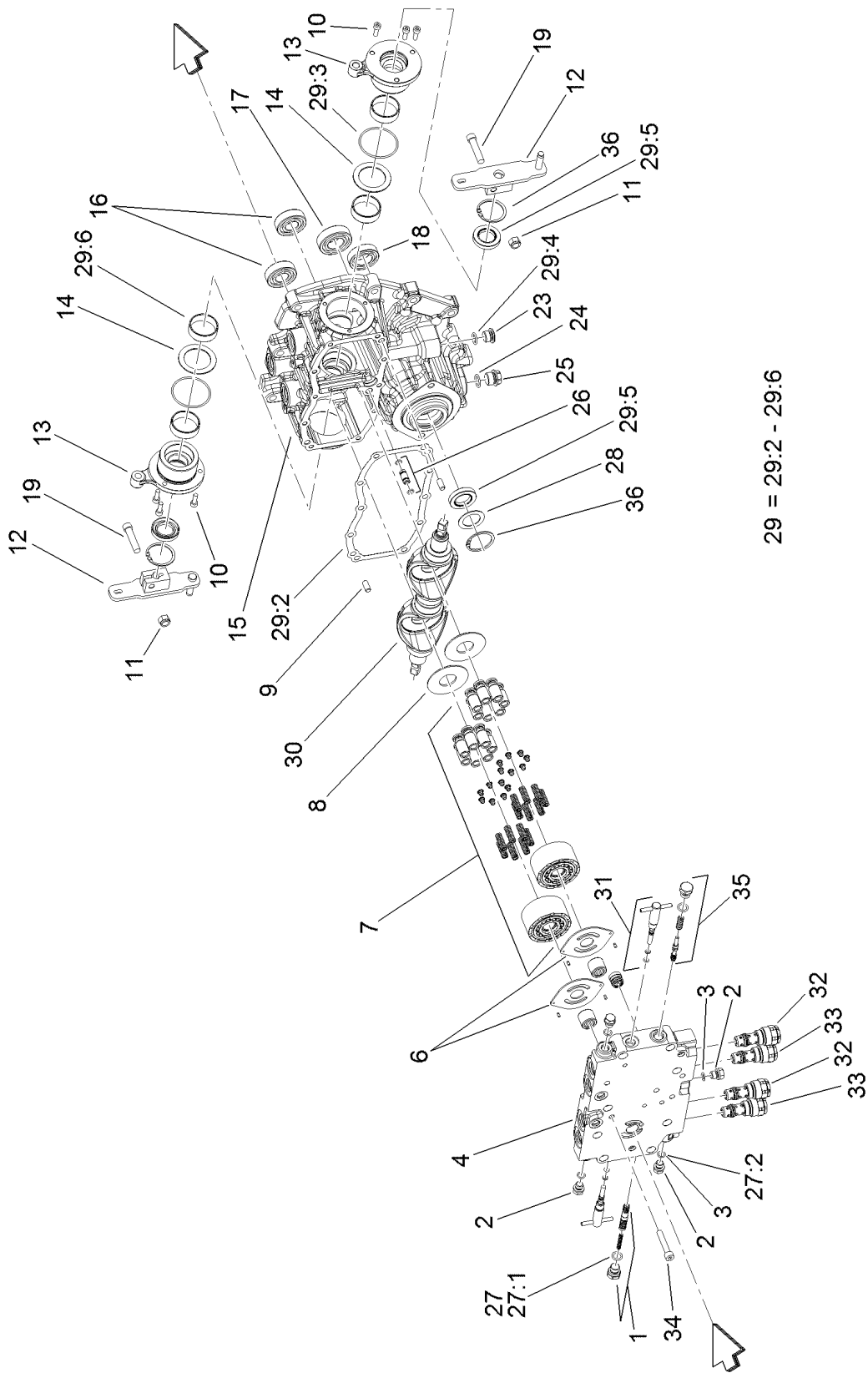
20 = 20:1 - 20:4



# Charge Pump Housing Assembly Transmission Assembly No. 131-5510 (continued)

<i>Ref.</i>	<i>Part Number</i>	<i>Qty.</i>	<i>Description</i>	<i>Ref.</i>	<i>Part Number</i>	<i>Qty.</i>	<i>Description</i>
1	107-0851	1	Solenoid ASM	14	107-0843	1	Filter Bypass Valve ASM
2	107-0850	1	Solenoid Valve ASM	15	107-0818	1	Piston
3	107-0863	3	Bolt	16	107-0842	1	Charge Relief Valve ASM
4	107-0864	2	Bolt	17	107-0841	1	Pressure Valve ASM
5	107-0840	1	Pump Body ASM	18	108-5194	1	Filter-Oil, HYD
6	107-0848	2	Pin	19	107-0865	1	Key
7	107-0856	1	O-Ring	20	107-0855	1	Charge Pump Seal Kit
8	107-0845	1	Spring	20:1	93-0418	2	O-Ring
9	107-0844	1	Collar	20:2	107-0817	2	O Ring-Plug
11	107-0846	1	Cover	20:3	104-3298	6	Packing
12	93-0457	2	Bolt And Washer ASM	20:4	107-0847	1	Gasket

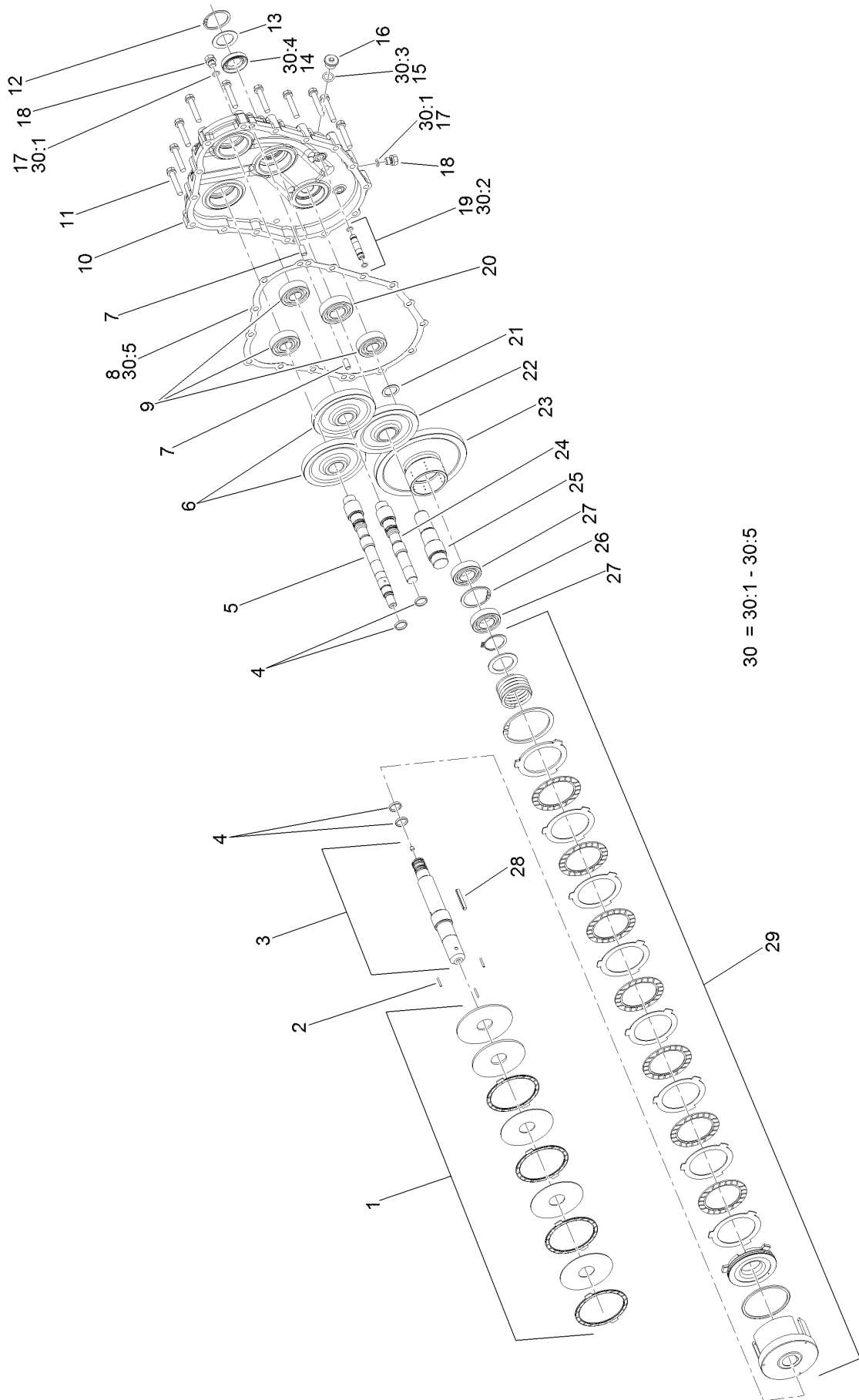
# Center Section Assembly Transmission Assembly No. 131-5510



## Center Section Assembly Transmission Assembly No. 131-5510 (continued)

<i>Ref.</i>	<i>Part Number</i>	<i>Qty.</i>	<i>Description</i>	<i>Ref.</i>	<i>Part Number</i>	<i>Qty.</i>	<i>Description</i>
1	107-0807	1	Valve-Flushing, RH	25	107-0867	1	Plug
2	107-0857	6	Plug	26	107-0812	1	Pipe
3	107-0817	6	O Ring-Plug	27	107-0852	1	Center Case Seal Kit
4	121-3377	1	Center Case, Complete	27:1	93-0418	2	O-Ring
6	107-0805	2	Plate-Valve	27:2	107-0817	6	O Ring-Plug
7	107-0824	2	Cylinder Block ASM	28	107-0813	1	Spacer
8	107-0830	2	Plate-Thrust	29	107-0853	1	Pump Housing Seal Kit
9	92-0765	4	Pin-Parallel	29:2	107-0810	1	Gasket-Case, Center
10	107-0859	6	Bolt	29:3	107-0817	2	O Ring-Plug
11	120-6681	2	U-Nut	29:4	104-3298	1	Packing
12	120-6680	2	Arm-Control	29:5	107-0814	3	Seal
13	107-0832	2	Side Cover ASM	29:6	107-0825	4	Ring-Seal
14	107-0829	2	Washer	30	120-6679	2	Plate-Swash
15	120-5151	1	Pump Housing ASM	31	107-0808	2	Valve-Bypass
16	107-0826	2	Bearing	32	107-0804	2	Valve-Rear
17	107-0821	1	Bearing	33	107-0803	2	Valve-Front
18	107-0838	1	Bearing	34	107-0863	8	Bolt
19	120-6682	2	Bolt	35	107-0806	1	Valve-Flushing, LH
23	107-0861	1	Plug-NPTF	36	92-0757	2	Ring-Snap
24	237-79	1	O-Ring				

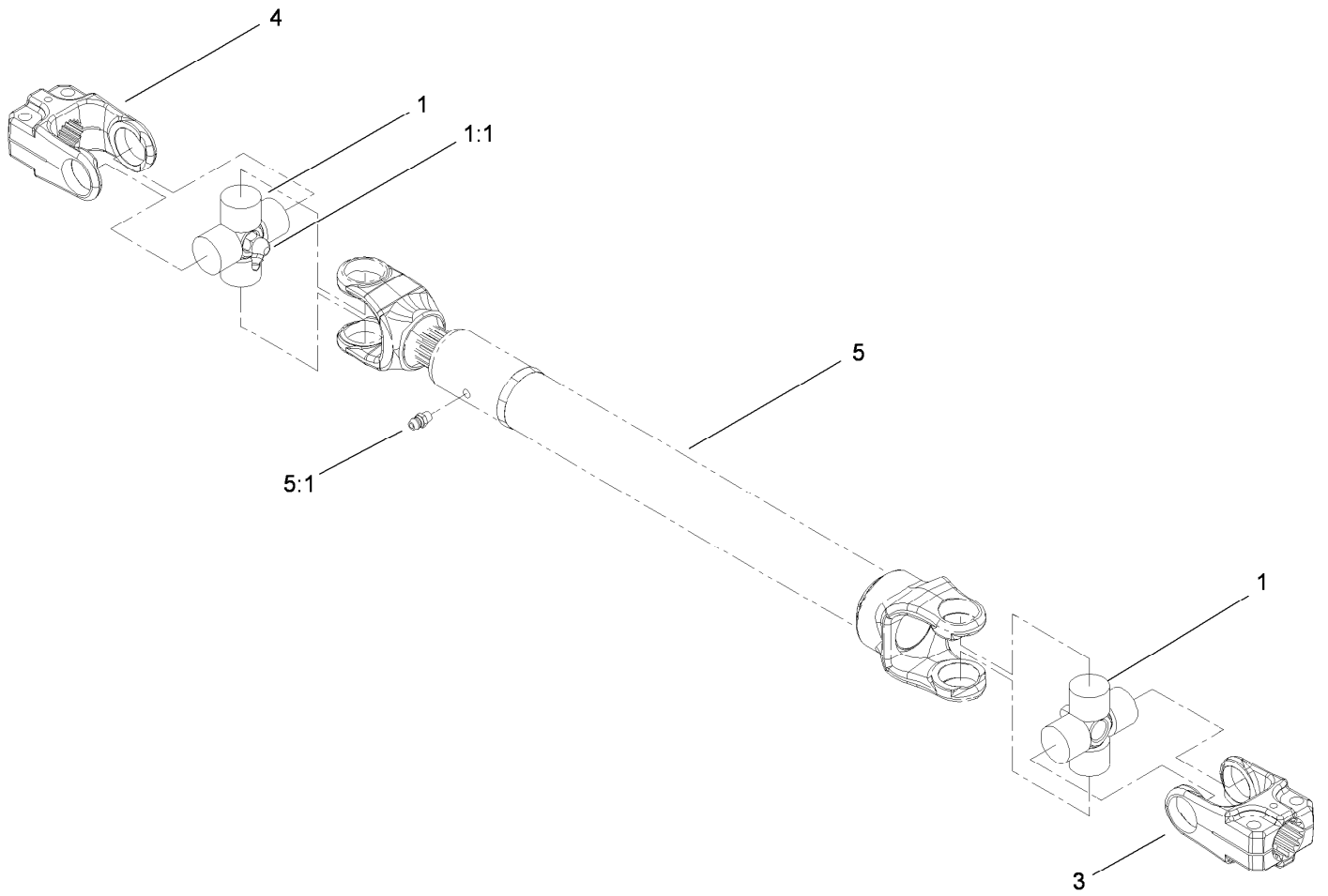
# Gear Case and Clutch Assembly Transmission Assembly No. 131-5510



## Gear Case and Clutch Assembly Transmission Assembly No. 131-5510 (continued)

<i>Ref.</i>	<i>Part Number</i>	<i>Qty.</i>	<i>Description</i>	<i>Ref.</i>	<i>Part Number</i>	<i>Qty.</i>	<i>Description</i>
1	107-0839	1	PTO Brake ASM	19	107-0811	1	Pipe
2	107-0837	3	Rod-Push	20	107-0821	2	Bearing
3	107-0833	1	PTO Shaft ASM	21	107-0836	1	Spacer
4	107-0825	2	Ring-Seal	22	107-0820	1	Gear-Input
5	107-0827	1	Shaft-Pump	23	107-0834	1	Gear-PTO
6	107-0823	2	Gear-Pump	24	107-0822	1	Shaft-Pump
7	92-0765	4	Pin-Parallel	25	107-0819	1	Shaft-Input
8	107-0816	1	Gasket-Housing, Gear	26	92-0758	1	Ring-Snap
9	107-0826	4	Bearing	27	107-0838	3	Bearing
10	120-5152	1	Housing-Case, Gear	28	107-0866	1	Key
11	107-0863	13	Bolt	29	107-0835	1	Clutch Cylinder ASM
12	92-0757	1	Ring-Snap	30	107-0854	1	Gear Housing Seal Kit
13	107-0813	1	Spacer	30:1	107-0817	2	O Ring-Plug
14	107-0814	1	Seal	30:2		2	O-Ring ●
15	104-3298	1	Packing	30:3	104-3298	1	Packing
16	107-0861	1	Plug-NPTF	30:4	107-0814	1	Seal
17	107-0817	6	O Ring-Plug	30:5	107-0816	1	Gasket-Housing, Gear
18	107-0857	6	Plug				

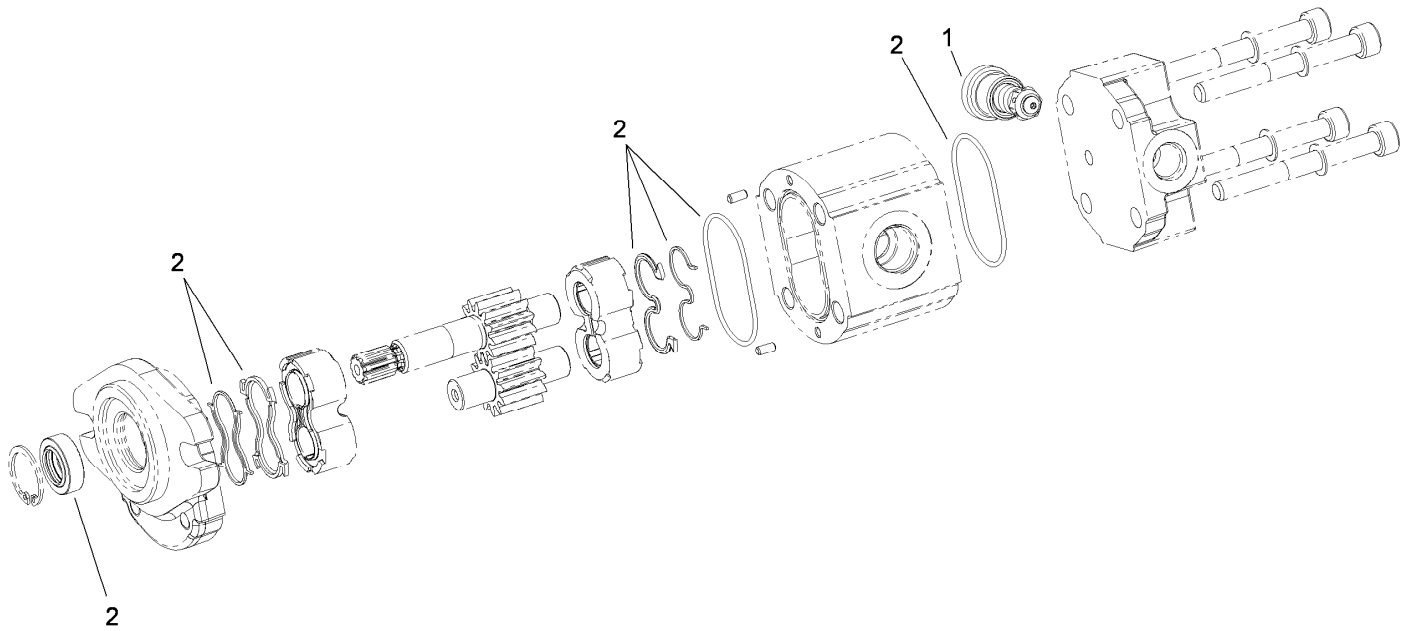
● Not serviced separately



## Driveshaft Assembly No. 110-3575

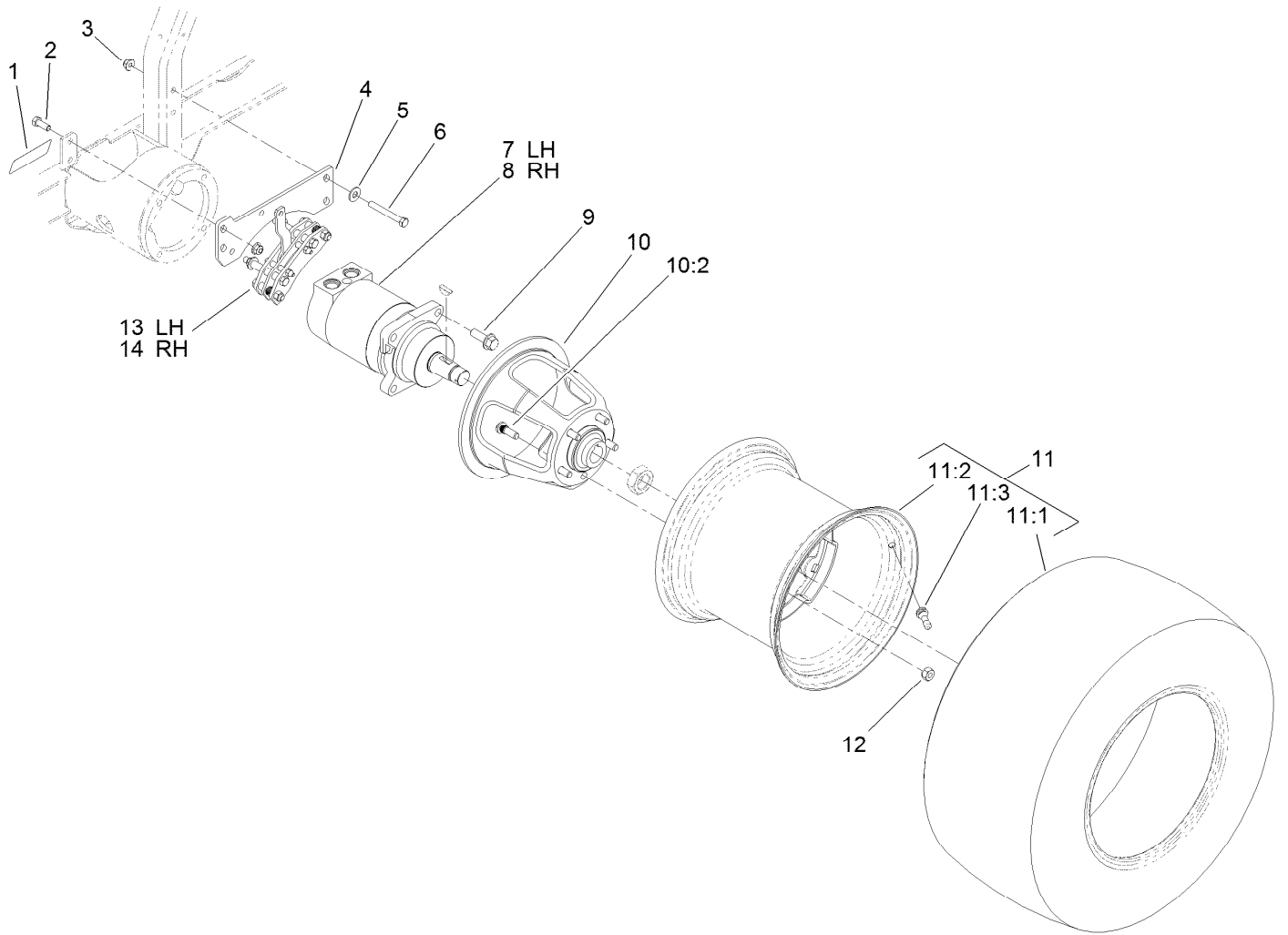
Ref.	Part Number	Qty.	Description
1	112-1687	2	Cross And Bearing Kit
1:1	62-3820	1	Fitting-Grease
3	54-9040	1	Yoke-End
4	54-9090	1	Yoke-End
5		1	Tube-Yoke, Slip ●
5:1	302-22	1	Fitting-Grease

● Not serviced separately



## Hydraulic Gear Pump Assembly No. 112-9542

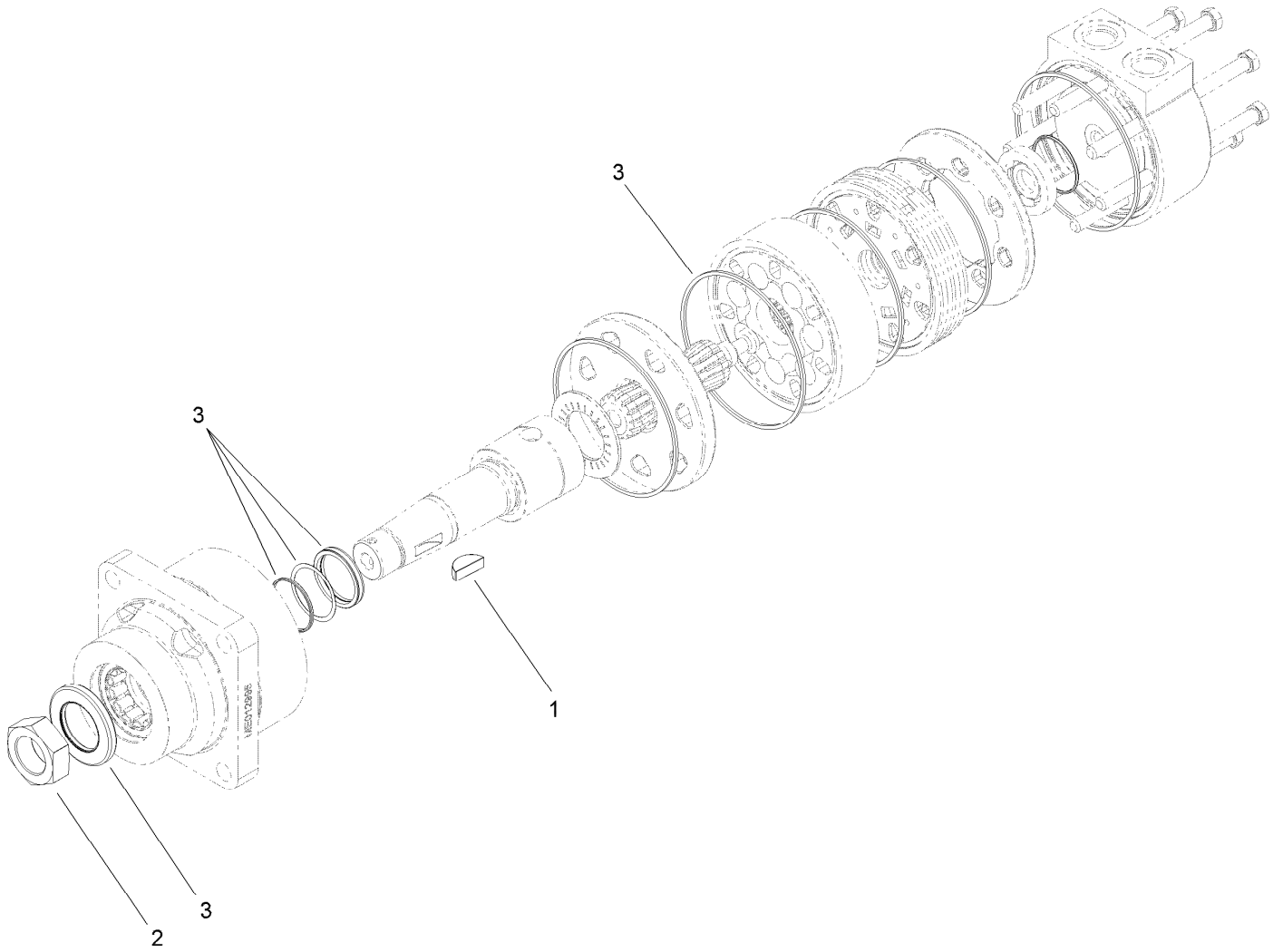
<i>Ref.</i>	<i>Part Number</i>	<i>Qty.</i>	<i>Description</i>
1	112-0198	1	Valve
2	112-0199	1	Seal Kit



## Rear Drive Assembly

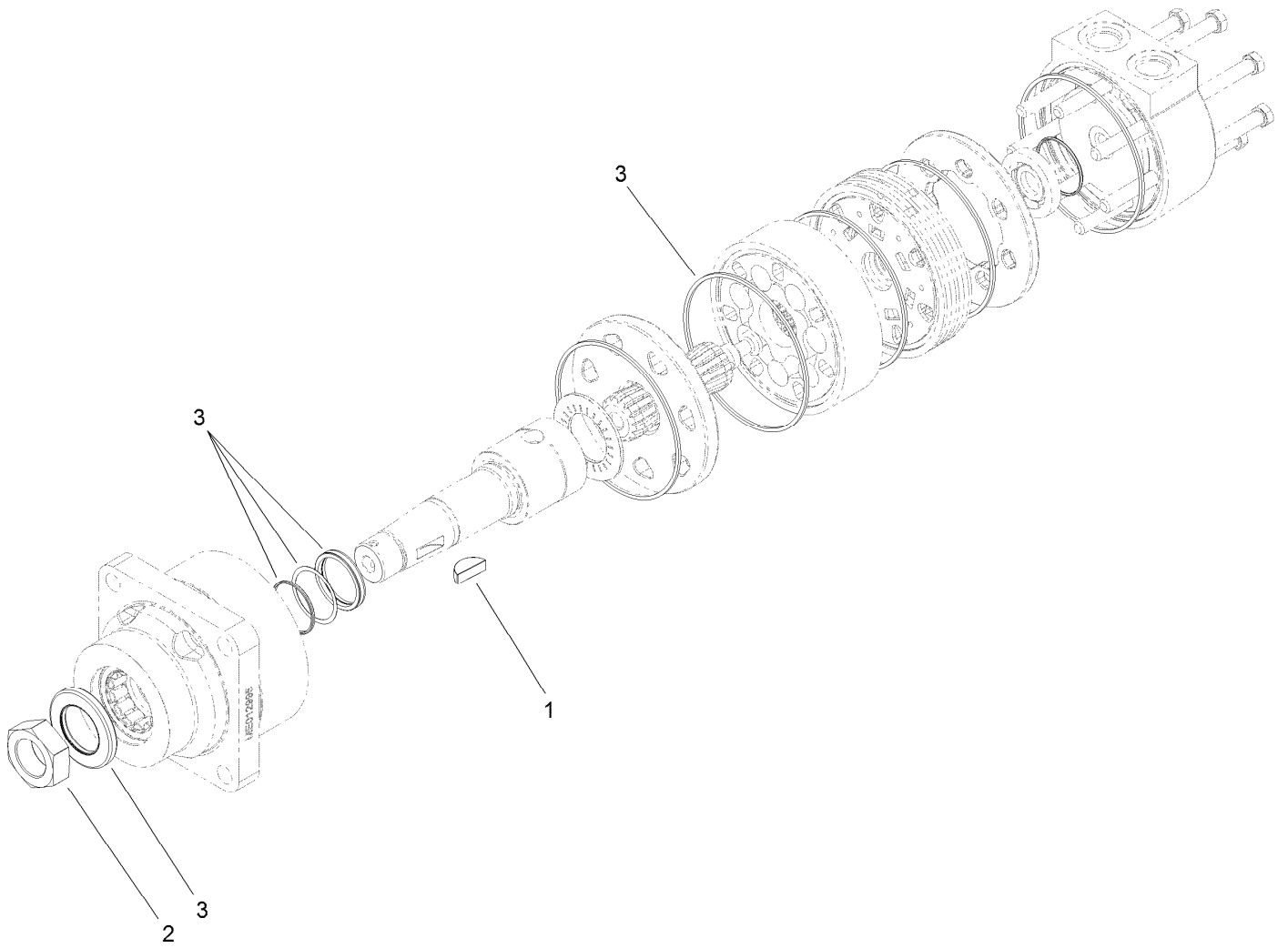
<i>Ref.</i>	<i>Part Number</i>	<i>Qty.</i>	<i>Description</i>	<i>Ref.</i>	<i>Part Number</i>	<i>Qty.</i>	<i>Description</i>
1	106-9206	2	Decal-Torque, Wheel	10	110-5535	2	Wheel Hub ASM
2	323-6	4	Screw-HH	10:2	87-8730	5	Stud
3	104-8301	8	Nut-Flange, NI	11	106-7864	2	Tire And Wheel ASM
4	112-9550-03	2	Bracket-Brake	11:1	106-7868	1	Tire
5	3256-4	4	Washer-Flat	11:2	87-6750	1	Wheel
6	323-14	4	Screw-HH	11:3	232-27	1	Stem-Valve
7	108-5155	1	LH HYD Motor ASM	12	23-7270	10	Nut-Lug
8	108-5230	1	RH HYD Motor ASM	13	120-0013	1	LH Brake Caliper ASM
9	100-6116	8	Screw-HHF	14	120-0014	1	RH Brake Caliper ASM





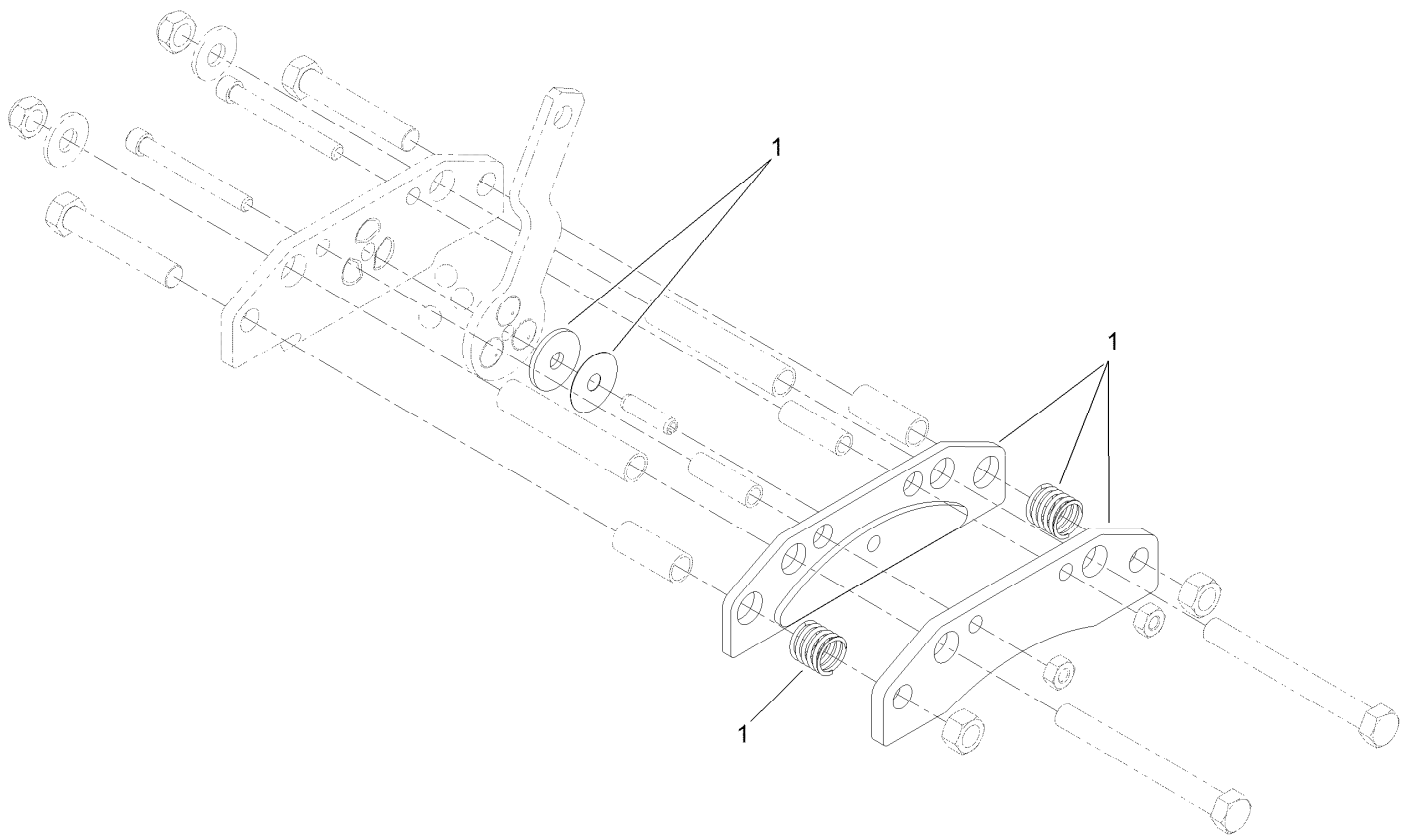
## Hydraulic Motor Assembly No. 108-5155

<i>Ref.</i>	<i>Part Number</i>	<i>Qty.</i>	<i>Description</i>
1	3257-42	1	Key-Woodruff
2	107-9319	1	Nut-Hex
3	112-8405	1	Seal Kit



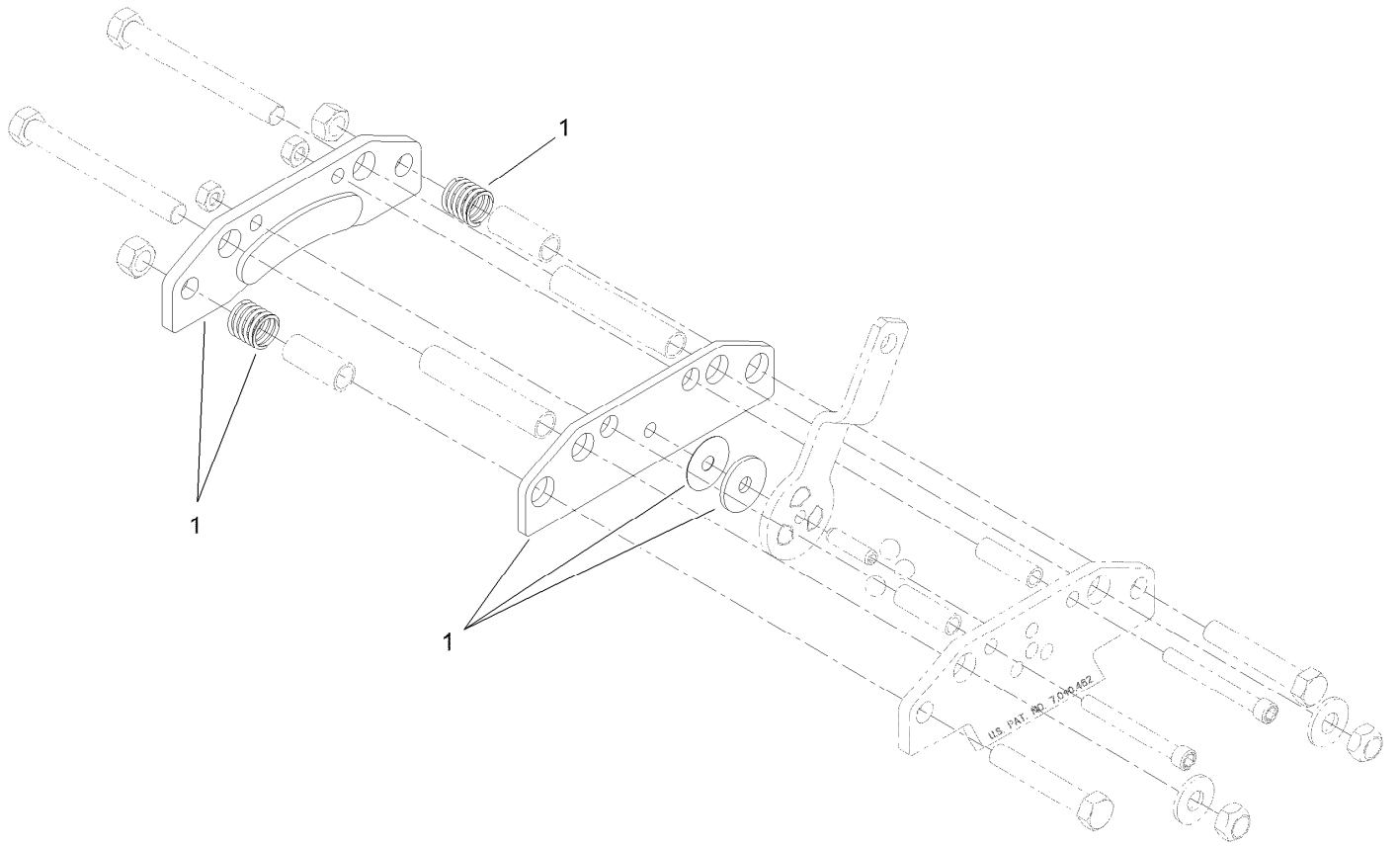
## Hydraulic Motor Assembly No. 108-5230

<i>Ref.</i>	<i>Part Number</i>	<i>Qty.</i>	<i>Description</i>
1	3257-42	1	Key-Woodruff
2	107-9319	1	Nut-Hex
3	112-8405	1	Seal Kit



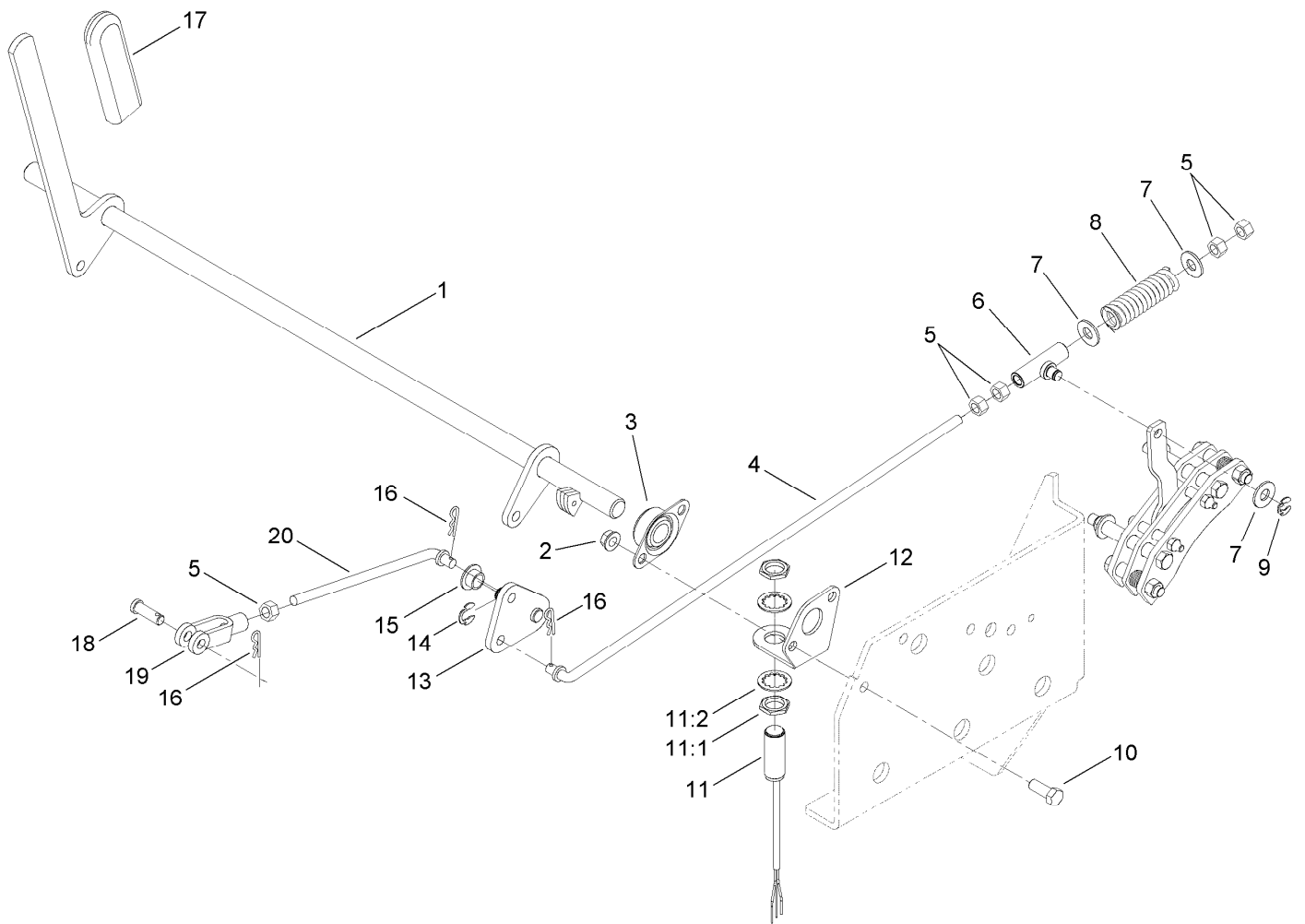
## LH Brake Caliper Assembly No. 120-0013

<i>Ref.</i>	<i>Part Number</i>	<i>Qty.</i>	<i>Description</i>
1	120-0015	1	Replacement Brake Pad Service Kit



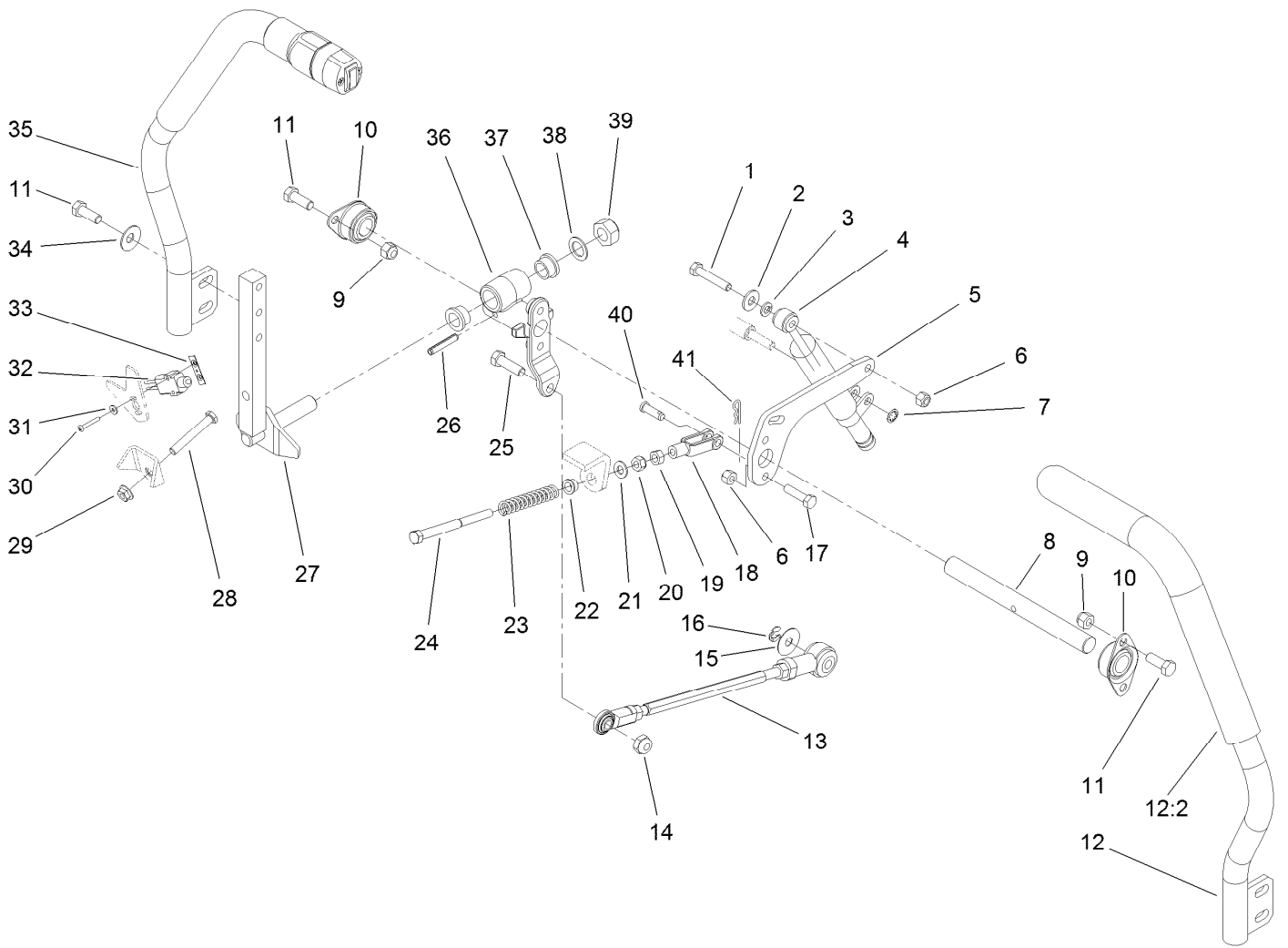
## RH Brake Caliper Assembly No. 120-0014

<i>Ref.</i>	<i>Part Number</i>	<i>Qty.</i>	<i>Description</i>
1	120-0015	1	Replacement Brake Pad Service Kit



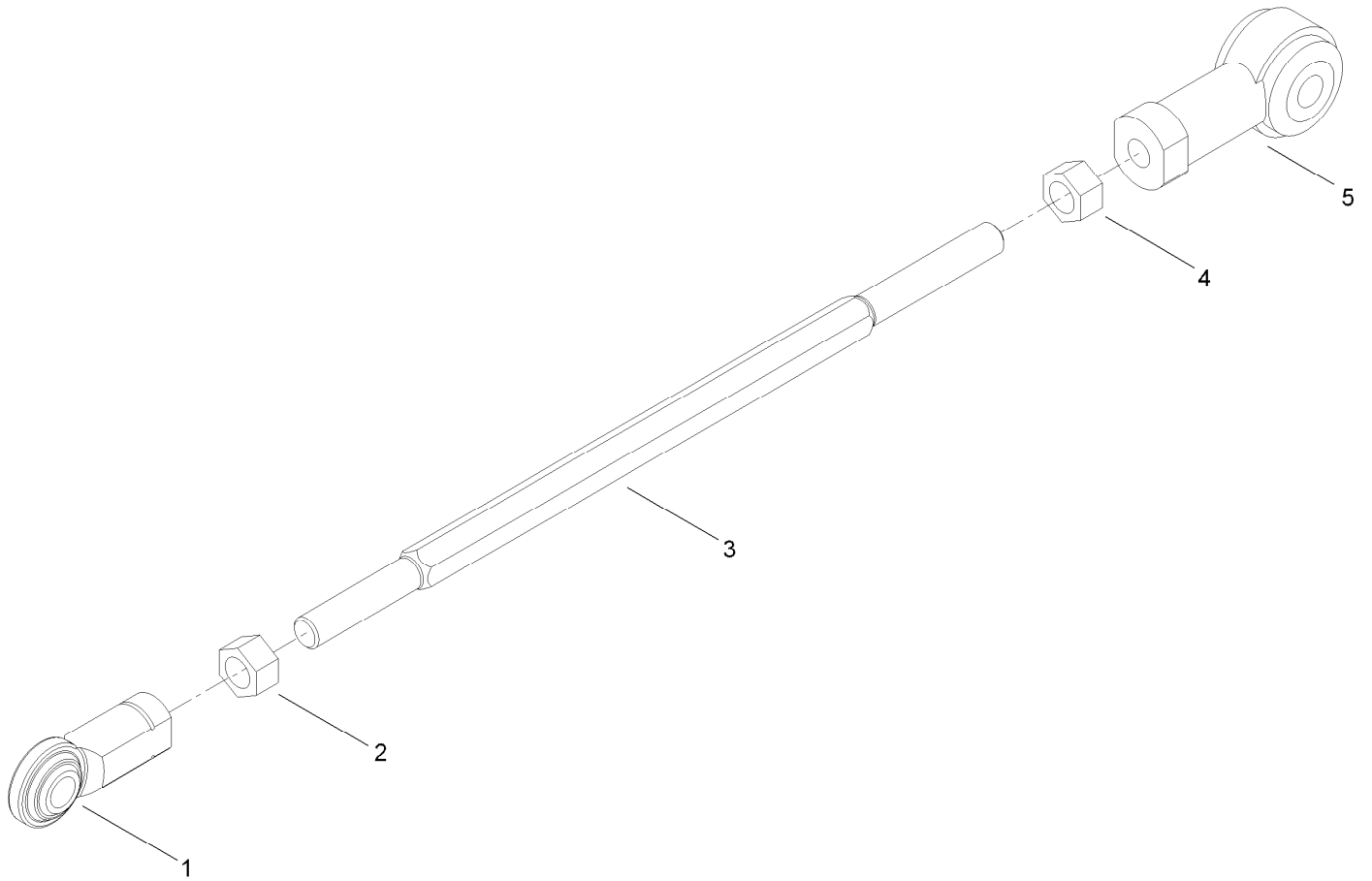
## Brake Handle Assembly

<i>Ref.</i>	<i>Part Number</i>	<i>Qty.</i>	<i>Description</i>	<i>Ref.</i>	<i>Part Number</i>	<i>Qty.</i>	<i>Description</i>
1	117-5582-03	1	Handle-Brake	11:1	117-3207	2	Nut-Hex
2	3290-357	4	Nut-HHF, Whiz	11:2	117-3208	2	Washer-Lock, Internal Tooth
3	1-633102	2	Bearing-Flange, Side	12	117-5572	1	Bracket-Switch
4	120-0009	2	Rod-Brake	13	120-0022	2	Pivot-Brake
5	3219-3	10	Nut-Hex	14	32151-68	2	Ring-Retaining
6	112-1676	2	Swivel	15	1-513140	4	Bearing-Control
7	3256-4	6	Washer-Flat	16	3290-307	6	Pin-Cotter
8	109-2230	2	Spring-Compression	17	1-633268	1	Grip-Lever
9	32151-47	2	Ring-Retaining	18	1-808285	2	Pin-Clevis
10	323-6	4	Screw-HH	19	1-633131	2	Yoke-Linkage, Brake
11	115-5300	1	Proximity Switch ASM	20	120-0023	2	Rod-Brake



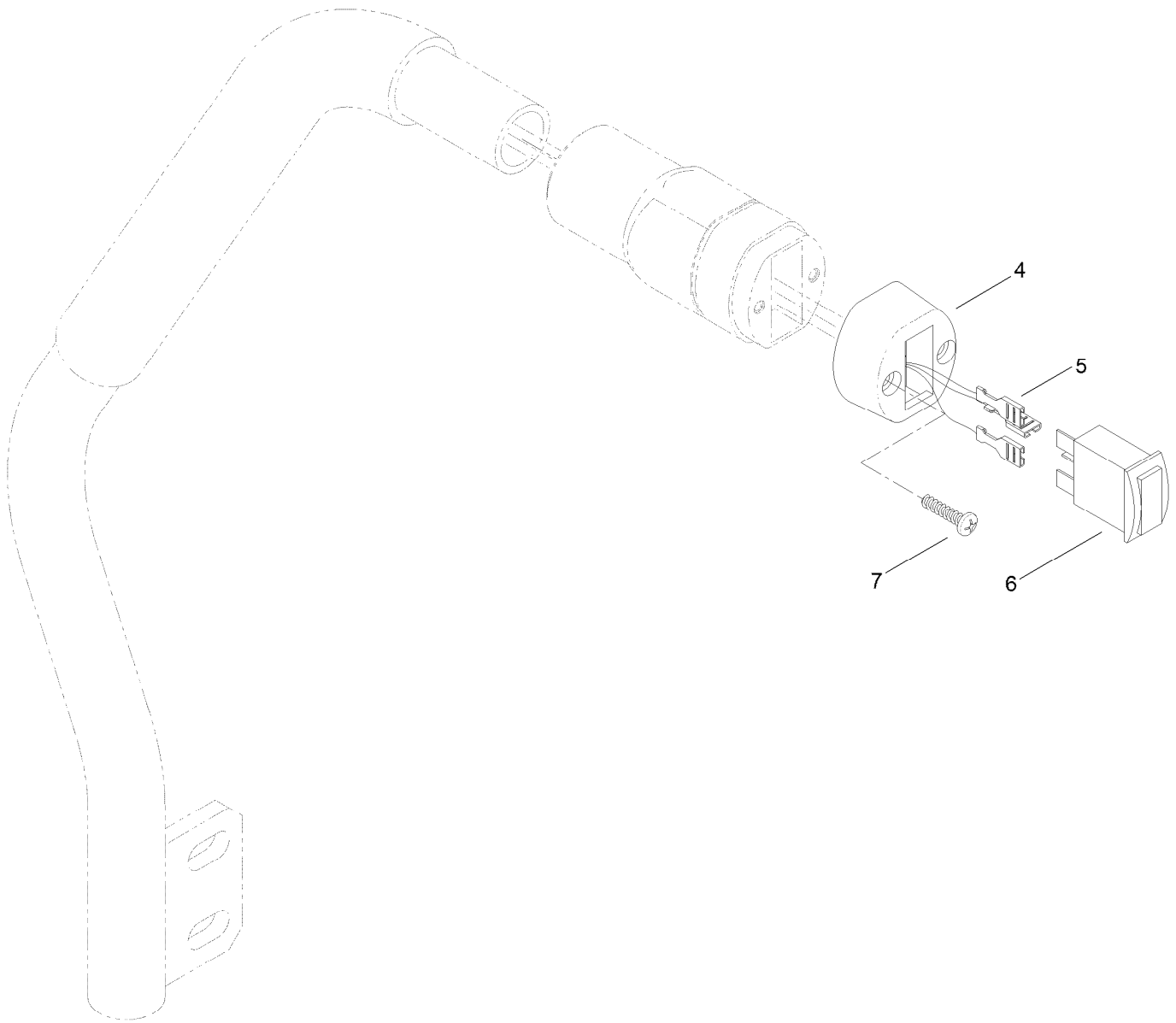
## Traction Control Assembly

Ref.	Part Number	Qty.	Description	Ref.	Part Number	Qty.	Description
1	322-9	2	Screw-HH	21	3256-23	2	Washer-Flat
2	3256-3	2	Washer-Flat	22	1-603735	2	Bushing-Flanged
3	3253-4	4	Washer-Lock	23	1-603807	2	Spring-Return, Neutral
4	105-7280	2	Damper	24	1-603737	2	Bolt-Return, Neutral
5	108-9829-03	2	Lever-Damper	25	323-7	2	Screw-HH
6	3296-29	6	Nut-Lock, NI	26	32121-15	2	Pin-Roll
7	32151-72	2	Ring-Retaining	27	108-9833-03	2	Lever
8	108-9830	2	Shaft-Pivot	28	9114524	2	Bolt-TAP, HH
9	3296-39	8	Nut-Lock, NI	29	32128-26	2	Nut-Flange
10	1-633102	4	Bearing-Flange, Side	30	3250-35	4	Screw-PPH
11	323-6	12	Screw-HH	31	3256-53	4	Washer-Flat
12	125-2688	1	LH Lever ASM	32	99-3410	2	Switch
12:2	125-2704	1	Grip-Foam	33	108-9824	2	Nut-Switch
13	112-5099	2	Link ASM	34	3290-461	4	Washer-Spring
14	3296-44	2	Nut-Lock, NI	35	125-2687	1	RH Lever ASM
15	105-6814	2	Washer-Plain	36	108-9831	2	Hub-Control
16	32151-47	2	Ring-Retaining	37	105-3455	4	Bushing
17	322-6	4	Screw-HH	38	105-3481	4	Washer-Thrust
18	1-303105	2	Yoke-Adjustable	39	32152-6	2	Nut-Lock, Cone
19	3219-2	2	Nut-Hex	40	283-1	2	Pin-Clevis
20	3296-4	2	Nut-Lock	41	3290-307	2	Pin-Cotter



## Link Assembly No. 112-5099

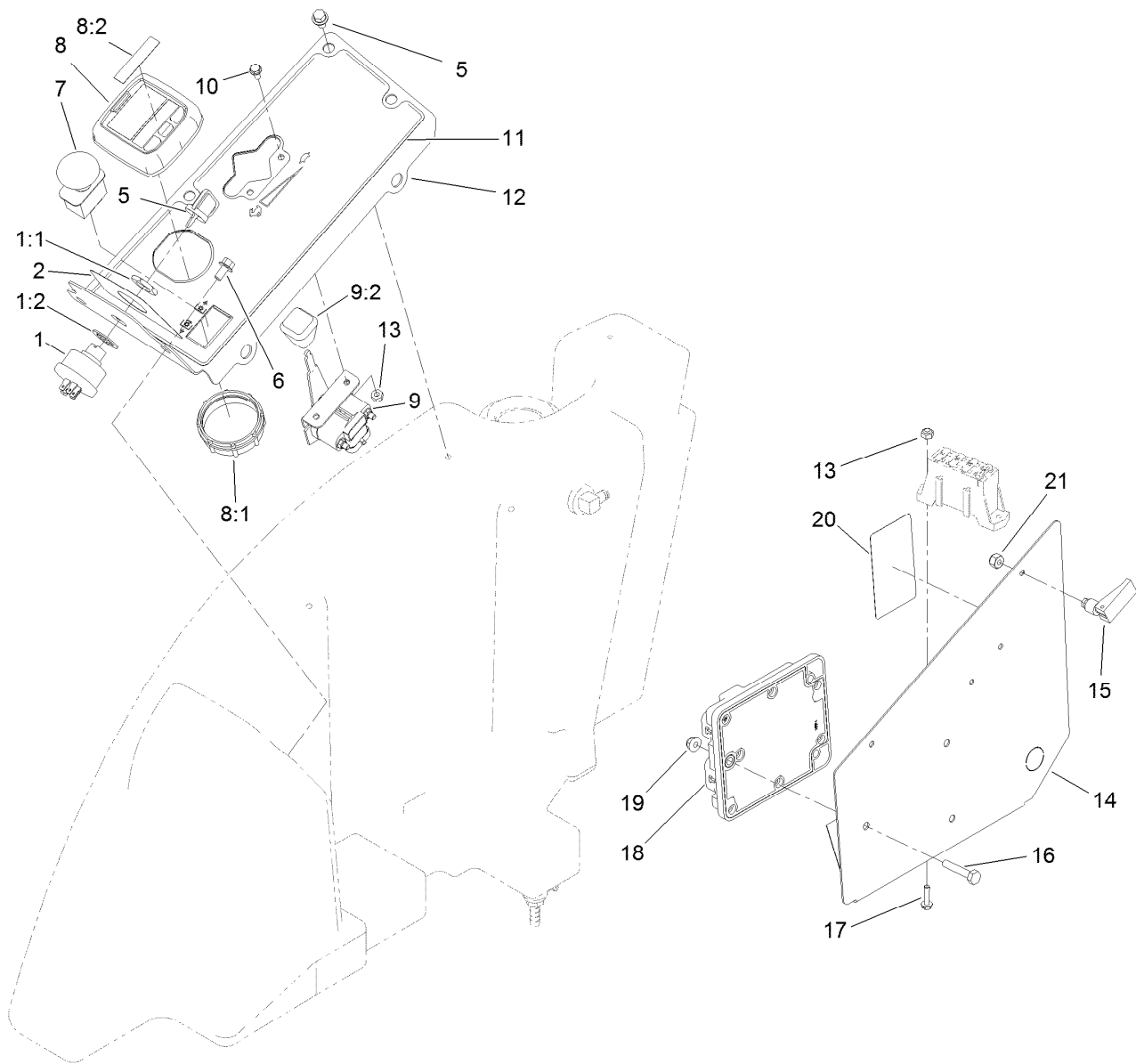
<i>Ref.</i>	<i>Part Number</i>	<i>Qty.</i>	<i>Description</i>
1	103-1167	1	Joint-Ball End, LH
2	3219-20	1	Nut-Hex, LH
3	105-7239	1	Rod-Threaded
4	3219-3	1	Nut-Hex
5	105-7199	1	Rod End-Isolated



## RH Lever Assembly No. 125-2687

<i>Ref.</i>	<i>Part Number</i>	<i>Qty.</i>	<i>Description</i>
4	121-3399	1	Cap-Switch
5	119-4382	1	Harness-Control Handle
6	125-2702	1	Switch, Spst (On)-Off-On
7	94-4496	2	Screw-PPH

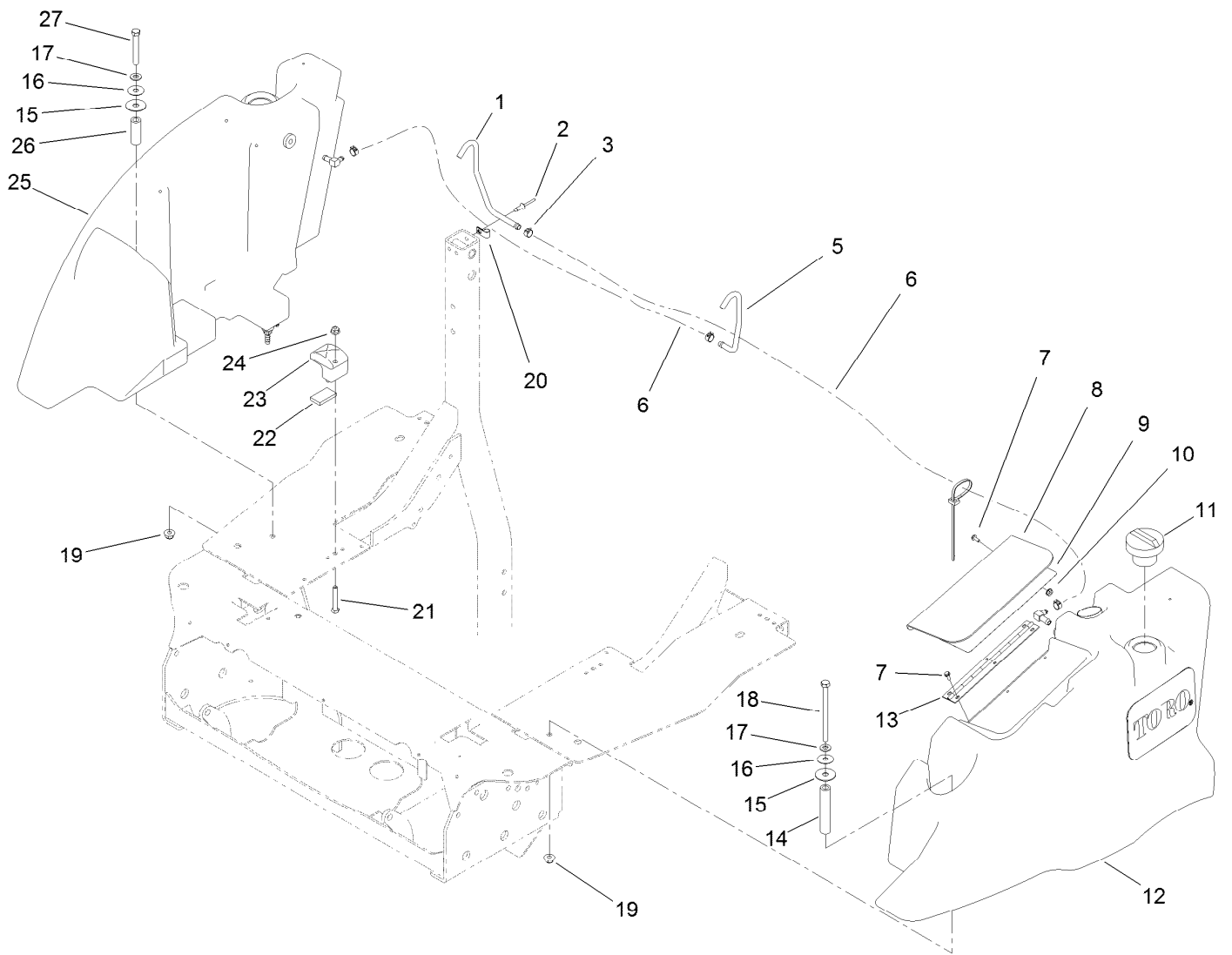




## Control Panel Assembly

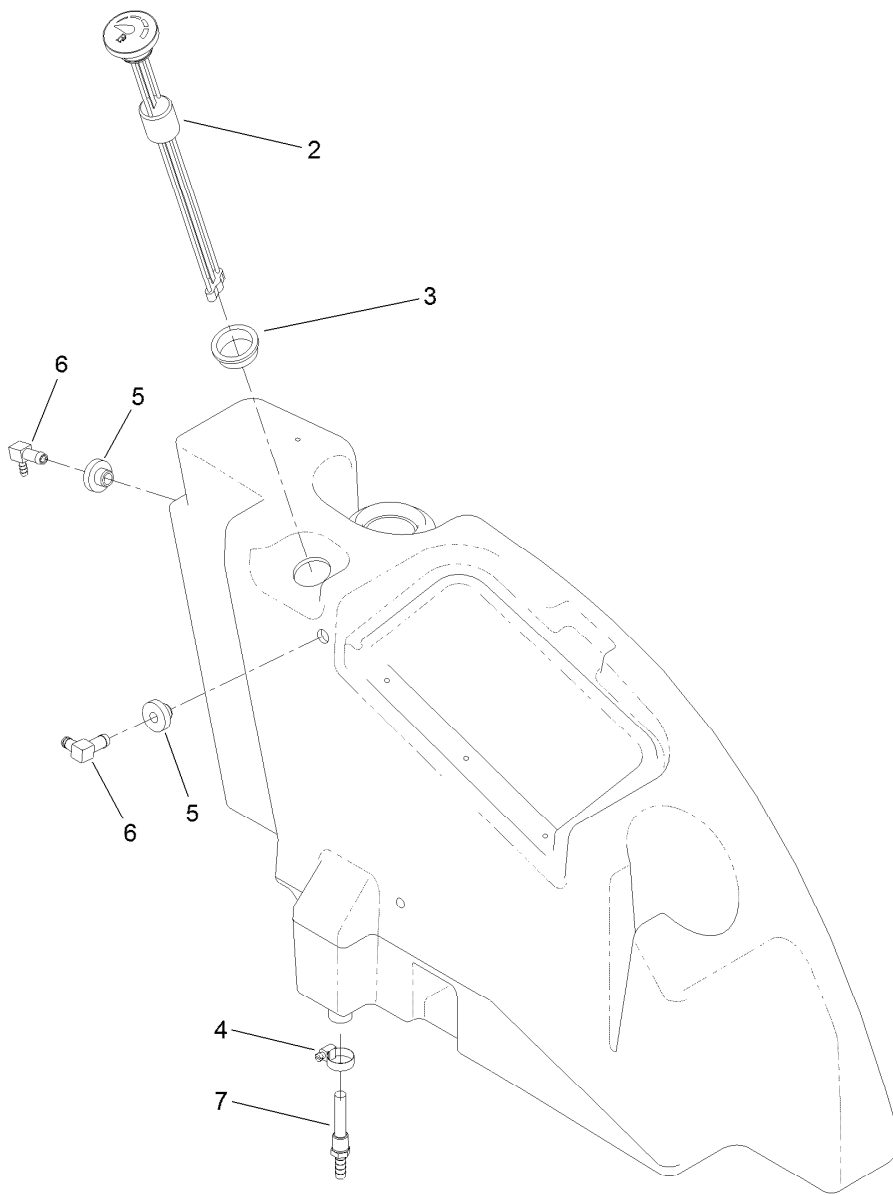
Ref.	Part Number	Qty.	Description
1	104-2541	1	Switch ASM
1:1	218-461	1	Nut-HH
1:2	3254-5	1	Washer-Tooth, Internal
2	110-8254	1	Decal-Start, Control Panel
5	63-8360	2	Key-Ignition
6	3234-13	5	Screw-HHF
7	93-9999	1	Switch-PTO
8	120-6310	1	Lcd Display ASM
8:1	120-4630	1	Nut-Display
8:2	120-6311	1	Decal-Display
9	122-0111	1	Throttle-Electronic
9:2	66-0120	1	Knob

Ref.	Part Number	Qty.	Description
10	3290-321	2	Screw-HWH
11	121-3363	1	Decal-Panel, Control
12	121-3362-03	1	Panel-Control
13	3296-2	4	Nut-Lock, NI
14	110-8257-03	1	Cover-Panel, Control
15	74-5950	2	Latch-Swell
16	321-13	3	Screw-HH
17	32105-13	2	Screw-HWH
18	106-9277	1	Module-Control, Standard
19	104-7201	3	Nut-Flange, NI
20	110-9796	1	Decal-Block, Fuse
21	1-804254	2	Nut-Lock, HH



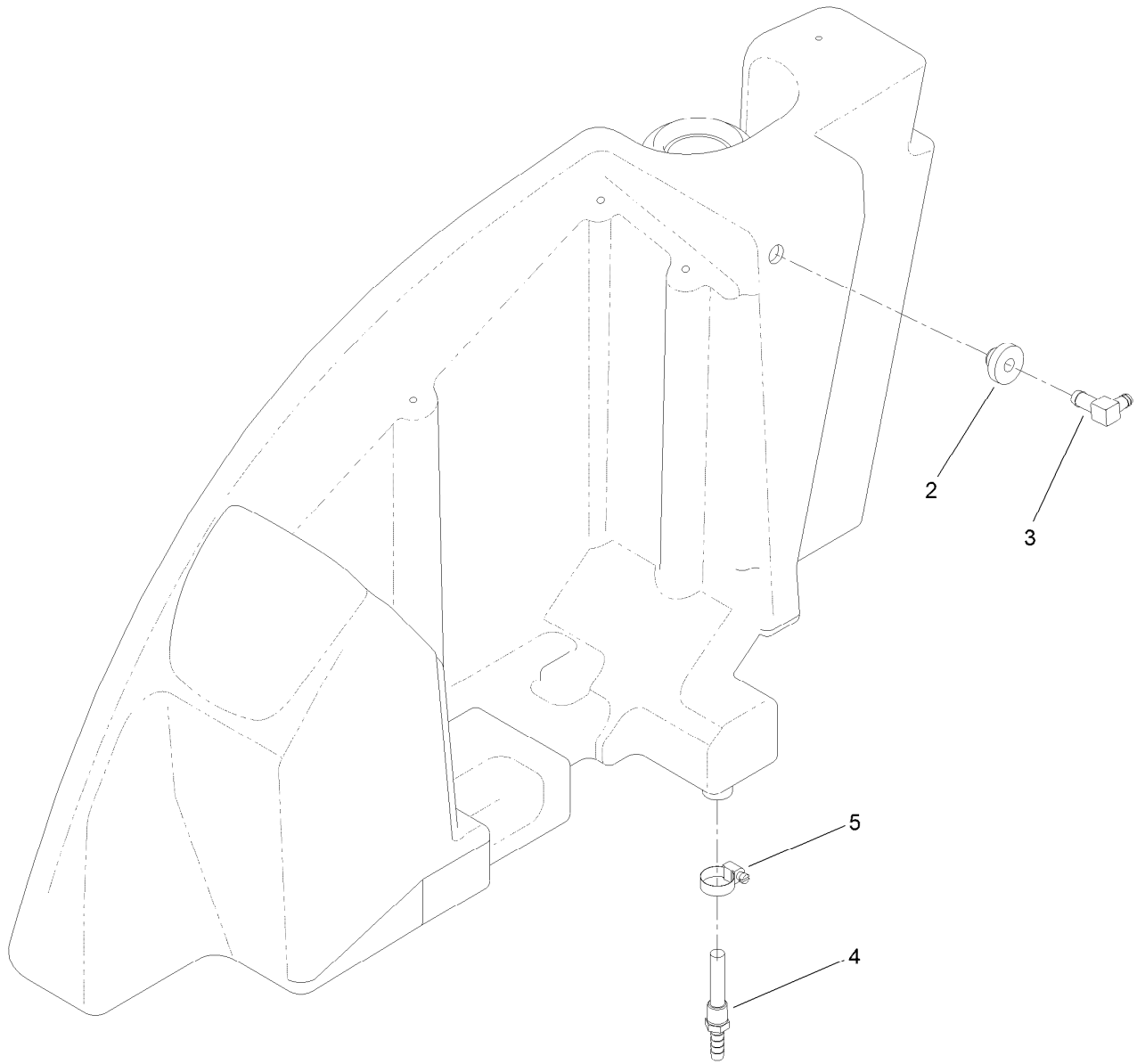
## Left-Hand and Right-Hand Fuel Tank Assembly

<i>Ref.</i>	<i>Part Number</i>	<i>Qty.</i>	<i>Description</i>	<i>Ref.</i>	<i>Part Number</i>	<i>Qty.</i>	<i>Description</i>
1	110-8260	1	Tube-Vent, RH	15	95-1905	2	Washer-Rubber
2	3290-412	2	Rivet	16	105-6814	2	Washer-Plain
3	92-2379	4	Clamp-Hose	17	3256-24	2	Washer-Flat
5	110-8261	1	Tube-Vent, LH	18	323-39	1	Screw-HH
6	110-6186	2	Hose-Fuel	19	104-8301	2	Nut-Flange, NI
7	112-6349	6	Screw-HWH	20	2412-89	2	Clamp-R
8	110-5540-03	1	Cover-Toolbox	21	322-10	4	Screw-HH
9	125-2747	1	Decal-Instruction, Service	22	112-9561	4	Pad-Foam
10	32149-8	3	Nut-Keps	23	107-4543	4	Clamp
11	125-9170	2	Cap-Fuel, Diesel (Ultra Low Sulfur)	24	104-8300	4	Nut-Flange, NI
12	131-5509	1	LH Fuel Tank ASM	25	110-8236	1	RH Fuel Tank ASM
13	108-2024	1	Hinge	26	92-1239	1	Spacer-Support
14	110-5539	1	Spacer	27	323-13	1	Screw-HH



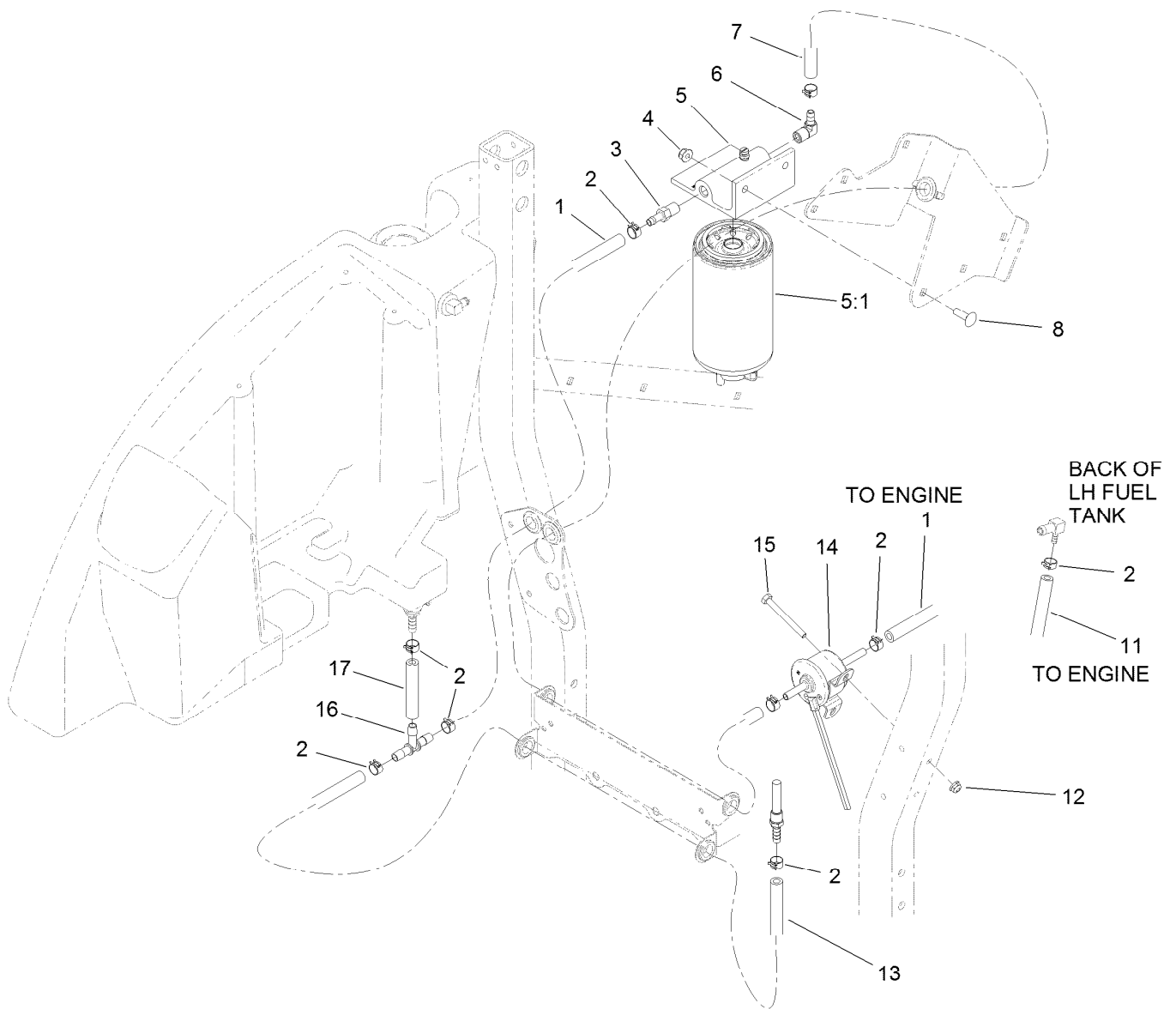
## LH Fuel Tank Assembly No. 131-5509

<i>Ref.</i>	<i>Part Number</i>	<i>Qty.</i>	<i>Description</i>
2	110-8262	1	Gauge-Fuel
3	95-8972	1	Grommet
4	2412-36	1	Clamp-Hose
5	46-6560	2	Bushing
6	1-643259	2	Fitting-Elbow
7	112-6374	1	Fitting-Strainer



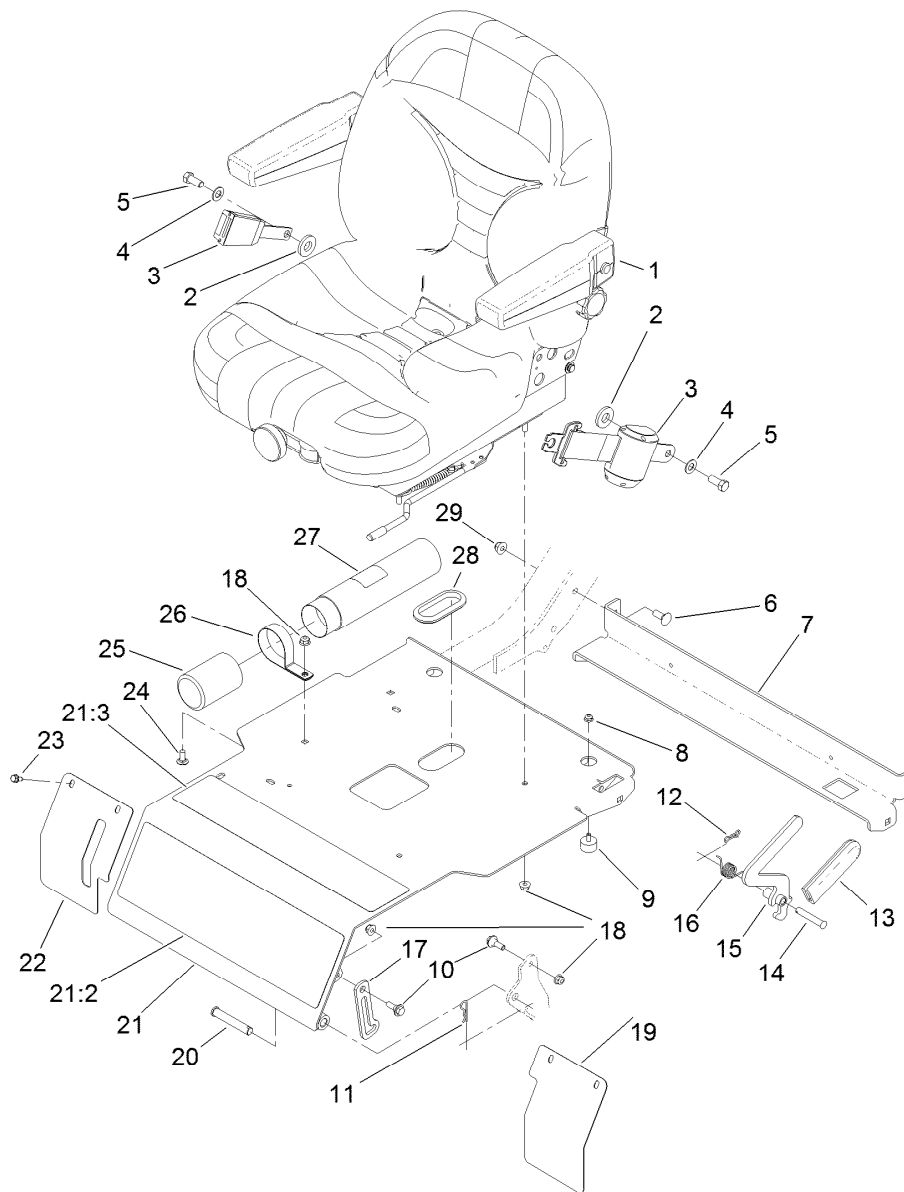
## RH Fuel Tank Assembly No. 110-8236

<i>Ref.</i>	<i>Part Number</i>	<i>Qty.</i>	<i>Description</i>
2	46-6560	1	Bushing
3	1-643259	1	Fitting-Elbow
4	112-6374	1	Fitting-Strainer
5	2412-36	1	Clamp-Hose



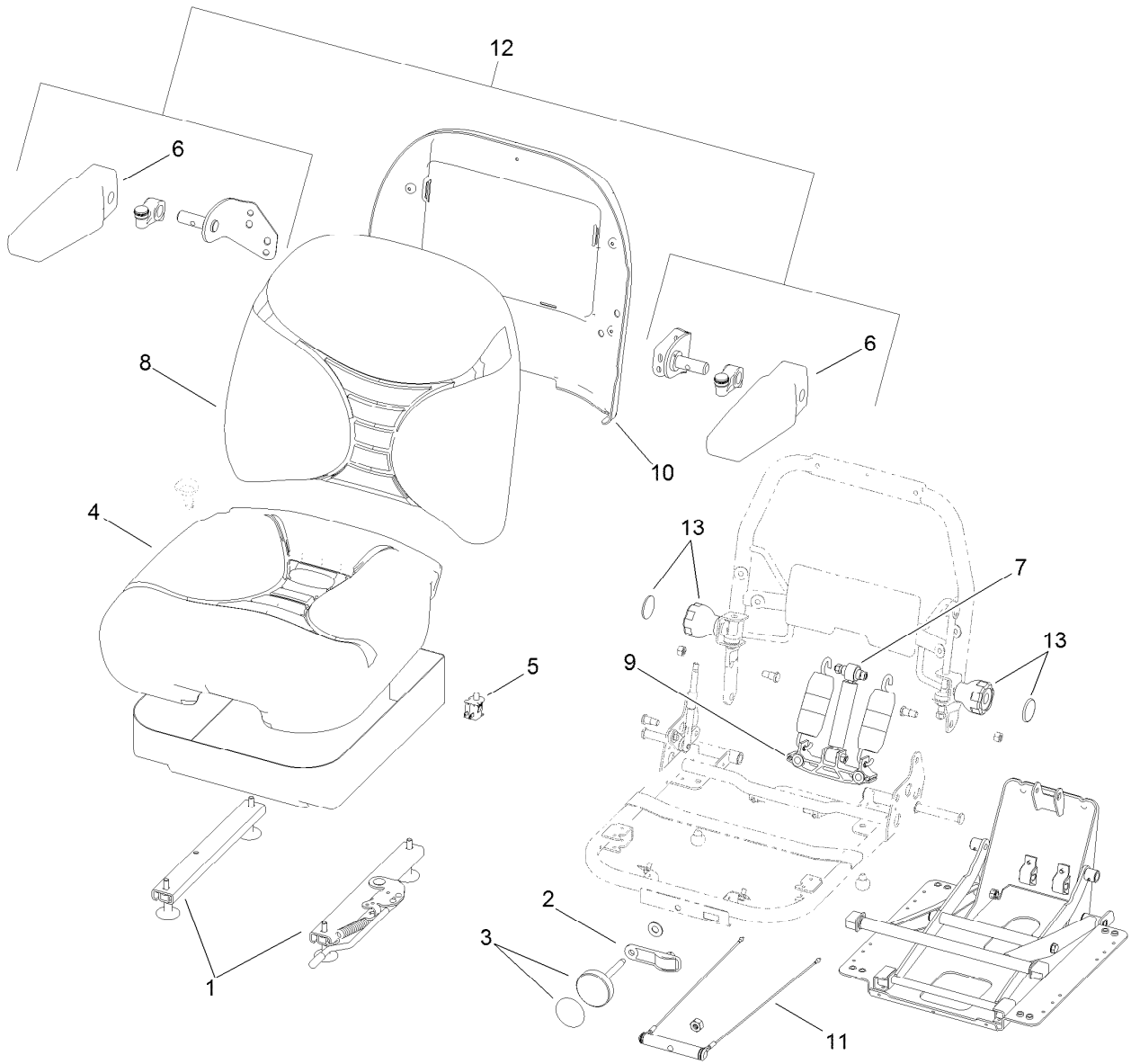
## Fuel System Assembly

Ref.	Part Number	Qty.	Description	Ref.	Part Number	Qty.	Description
1	110-4112	2	Hose-Fuel	8	3230-22	2	Screw-CARR
2	92-2379	12	Clamp-Hose	11	110-6187	1	Hose-Fuel
3	353-783	1	Fitting-Straight	12	104-7201	2	Nut-Flange, NI
4	104-8300	2	Nut-Flange, NI	13	110-6186	1	Hose-Fuel
5	125-2914	1	Separator Filter ASM	14	121-5613	1	Pump-Fuel, Electric
5:1	125-2915	1	Filter-Spin On	15	321-15	2	Screw-HH
6	353-781	1	Fitting-Elbow	16	354-107	1	Fitting-HYD, Tee
7	110-4100	1	Hose-Fuel	17	127-6453	1	Hose-Fuel



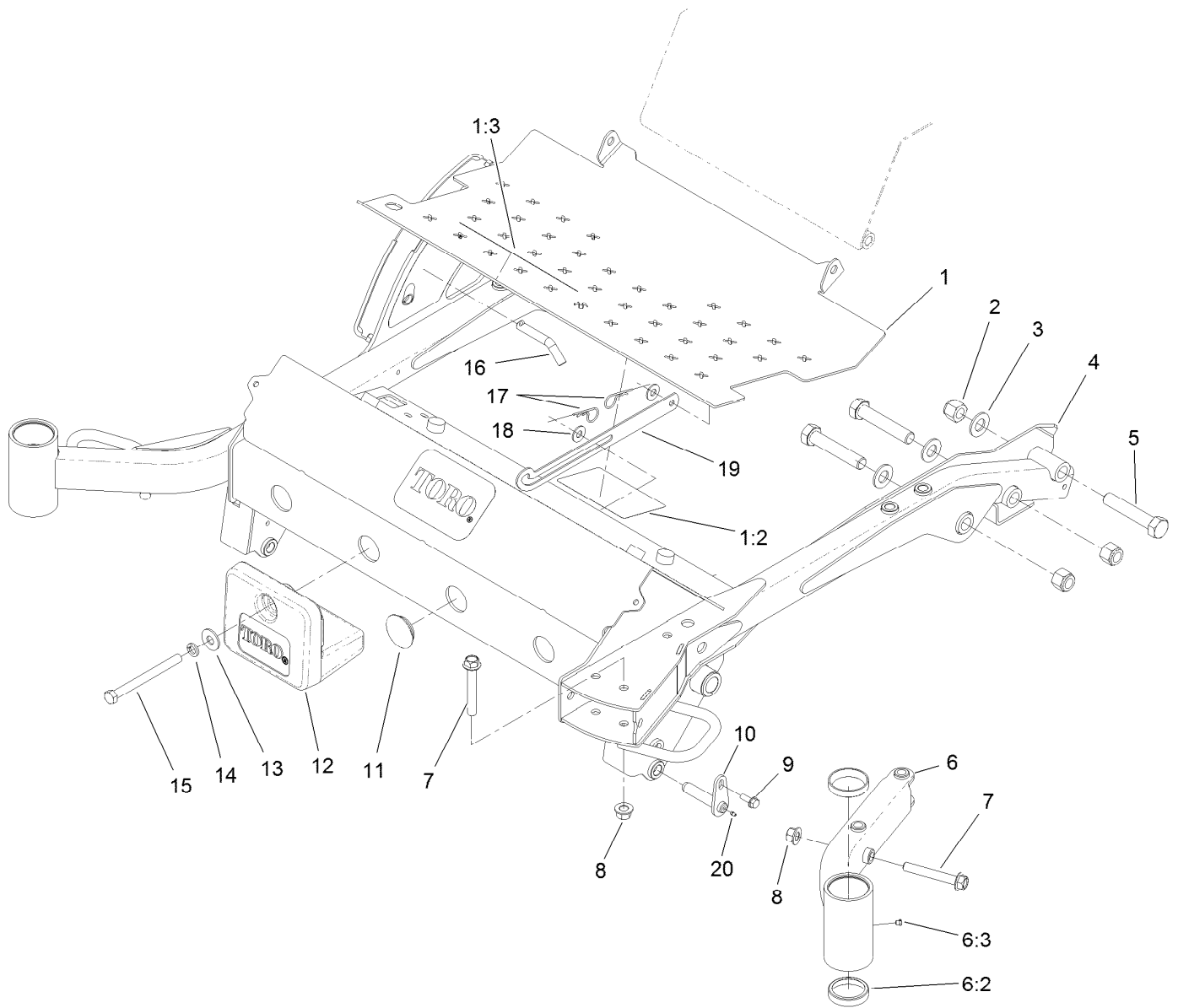
## Seat and Seat Plate Assembly

Ref.	Part Number	Qty.	Description	Ref.	Part Number	Qty.	Description
1	107-2286	1	Seat	17	130-8754	1	Prop-Seat
2	99-7667	2	Washer-Flat	18	104-8300	8	Nut-Flange, NI
3	110-0413	1	Seatbelt-Retractable	19	130-8767-03	1	Cover-LH
4	3256-25	2	Washer-Flat	20	283-55	2	Pin-Clevis
5	3212-4	2	Screw-HH	21	130-8749	1	Seat Plate ASM
6	3231-2	4	Bolt-CARR	21:2	120-9195	1	Decal-Safety
7	120-0095-03	1	Support-Seat	21:3	120-9196	1	Decal-Console, Top (Ce)
8	104-7201	2	Nut-Flange, NI	22	130-8768-03	1	Cover-RH
9	240-14	2	Bumper-Rubber	23	32144-10	4	Screw-HWH
10	116-2670	2	Screw-Shoulder	24	3230-23	2	Screw-CARR
11	3290-467	2	Pin-Hair	25	104-7048	1	Cap-Housing
12	119-1415	1	Pin-Cotter, Locking	26	2412-133	2	R-Clamp
13	1-633268	1	Grip-Lever	27	104-7050	1	Tube-Manual
14	86-2130	1	Pin-Clevis	28	237-164	1	Grommet
15	121-3390-03	1	Lever-Seat	29	104-8301	4	Nut-Flange, NI
16	121-3386	1	Spring-Torsion				



## Seat Assembly No. 107-2286

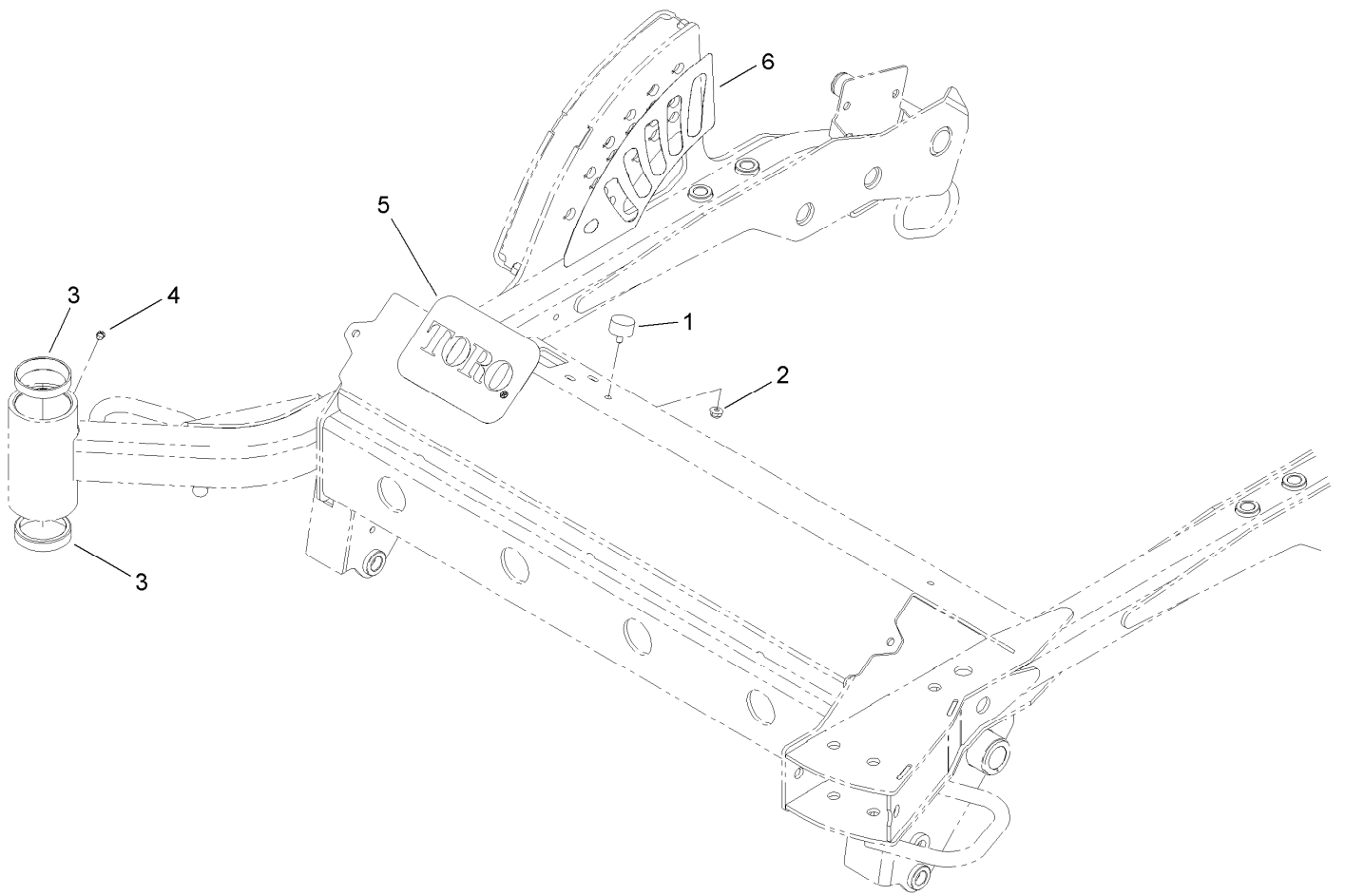
<i>Ref.</i>	<i>Part Number</i>	<i>Qty.</i>	<i>Description</i>
1	107-1880	1	Seat Track Kit
2	107-1885	1	Weight Indicator Kit
3	121-9431	1	Knob Kit
4	107-1883	1	Bottom Cushion Kit
5	82-2190	1	Switch-Bail
6	107-1887	2	Pad-Armrest
7	107-1884	1	Shock Absorber Kit
8	107-1882	1	Back Cushion Kit
9	109-3343	1	Spring And Saddle Kit
10	109-3344	1	Back Panel Kit
11	109-3345	1	Weight Adjust Kit
12	121-9415	1	Armrest Kit
13	121-9432	2	Adjust Knob Kit



## Carrier Frame and Weight Assembly

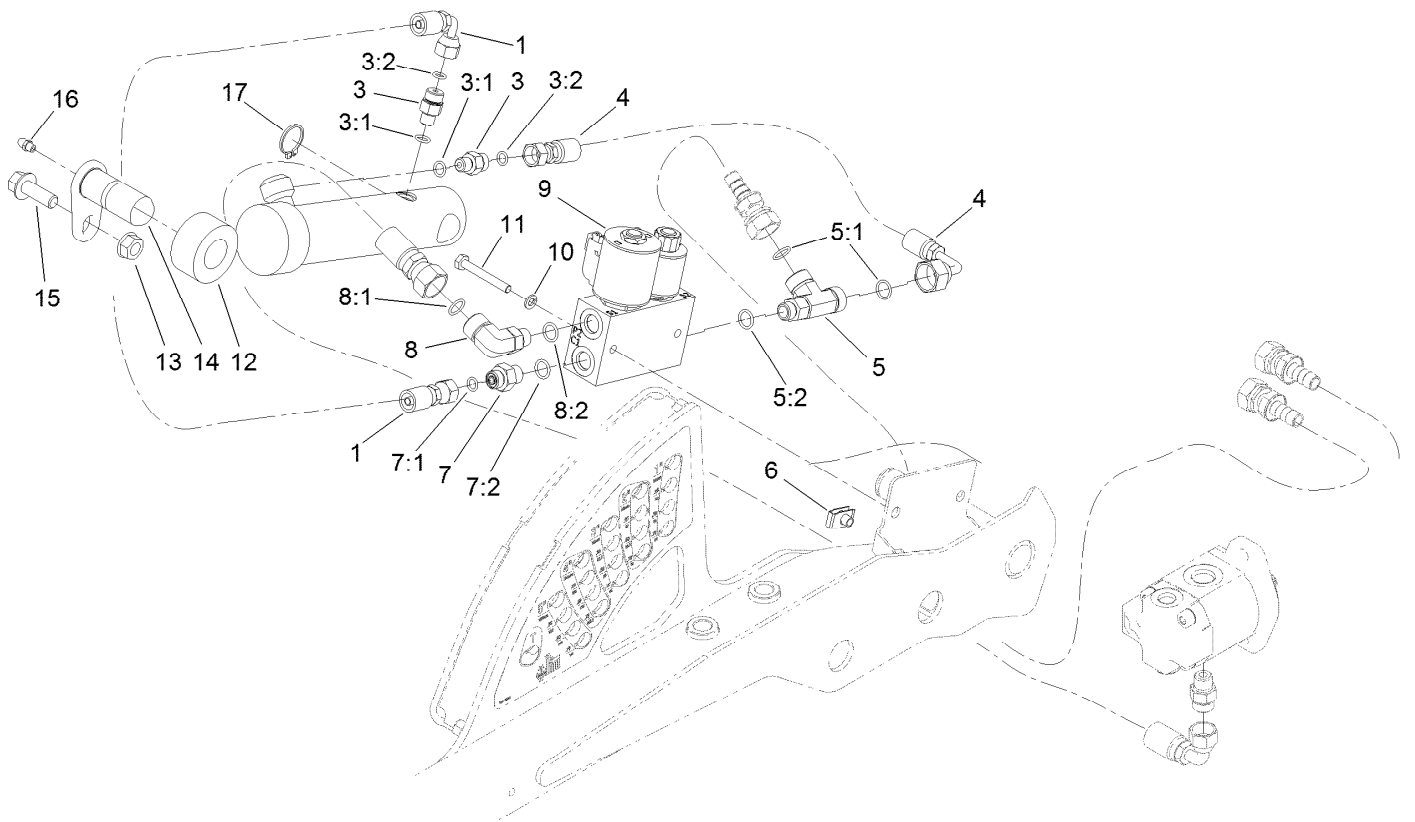
Ref.	Part Number	Qty.	Description	Ref.	Part Number	Qty.	Description
1	120-9165	1	Floorplate ASM	9	32144-41	2	Screw-Taptite
1:2	112-1461	1	Decal-Routing, Belt	10	112-1602	2	Pin-Retainer
1:3	107-1866	1	Decal-Danger, Slope	11	121-3397	2	Plug-Grommet
2	3296-51	5	Nut-Lock, NI	12	125-2655-03	2	Weight
3	92-5836	5	Washer	13	3256-6	2	Washer-Flat
4	121-3356	1	Carrier Frame ASM	14	3253-7	2	Washer-Lock
5	328-7	5	Screw-HH	15	325-22	2	Screw-HH
6	121-3340	1	Castor Arm ASM	16	112-9544	1	Pin-HOC
6:2	254-107	2	Cup-Bearing, Tapered	17	3290-255	2	Pin-Cotter, Hair
6:3	1-811010	1	Plug	18	3256-4	2	Washer-Flat
7	114-8419	3	Screw-HHF	19	121-3394-03	1	Prop-Floor
8	99-5107	3	Nut-Lock	20	302-5	2	Fitting-Grease





## Carrier Frame Assembly No. 121-3356

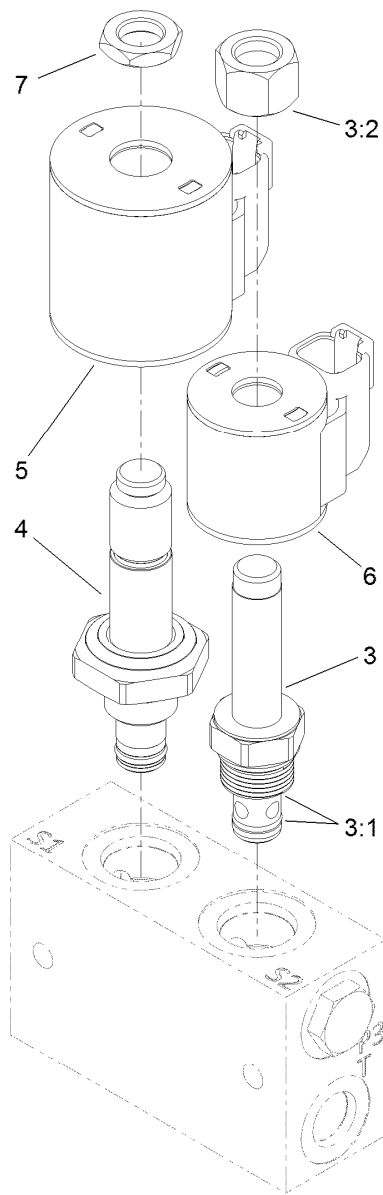
<i>Ref.</i>	<i>Part Number</i>	<i>Qty.</i>	<i>Description</i>
1	240-14	4	Bumper-Rubber
2	104-7201	4	Nut-Flange, NI
3	254-107	2	Cup-Bearing, Tapered
4	1-811010	1	Plug
5	99-4693	1	Decal
6	127-6519	1	Decal-HOC



## Lift Valve and Cylinder Assembly

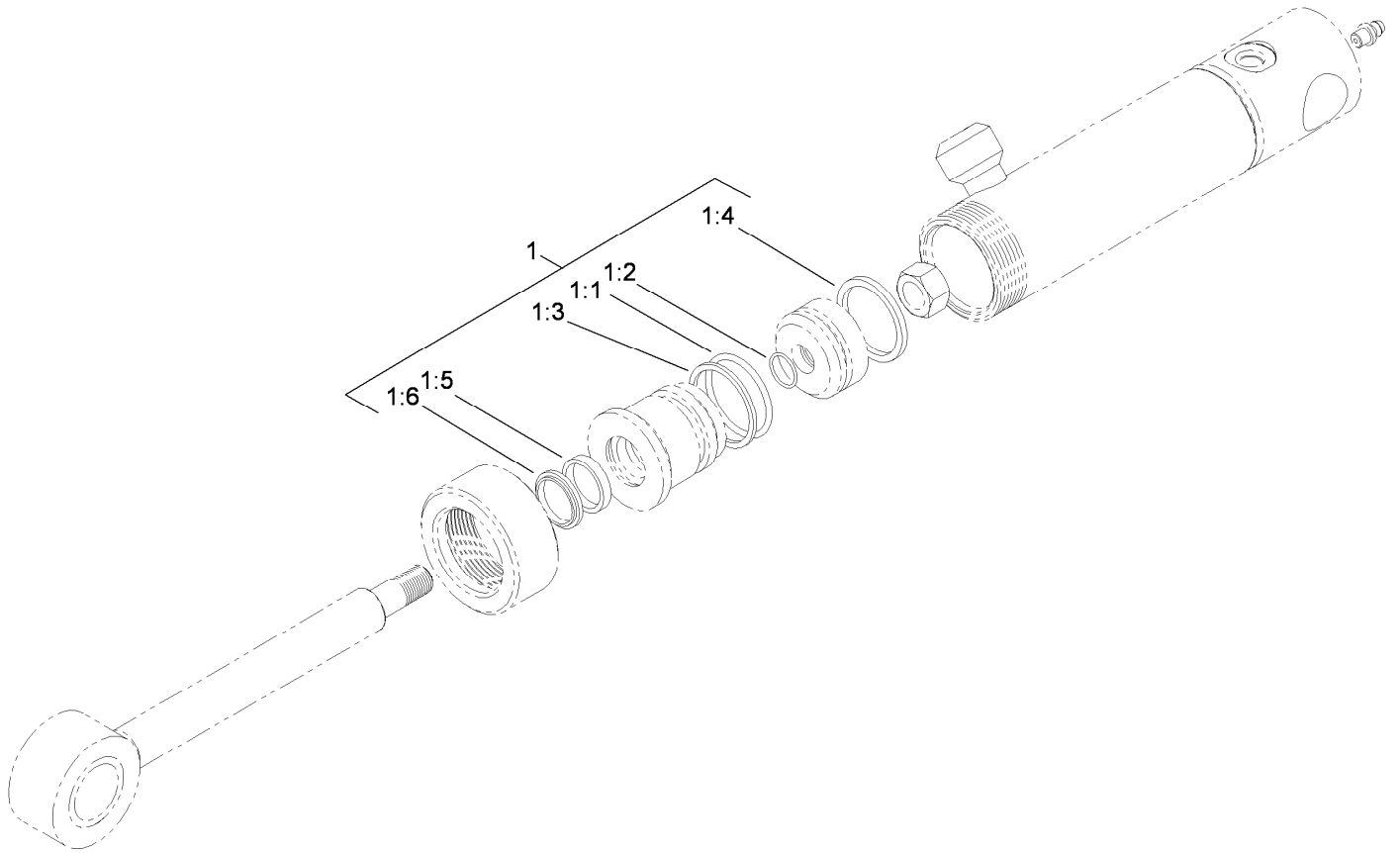
<i>Ref.</i>	<i>Part Number</i>	<i>Qty.</i>	<i>Description</i>
1	127-4908	1	Hose-HYD
3	340-92	2	Fitting-HYD, Straight
3:1	237-78	1	O-Ring
3:2	237-21	1	O-Ring
4	127-4909	1	Hose-HYD
5	110-0064	1	Fitting-Tee
5:1	237-30	2	O-Ring
5:2	237-42	1	O-Ring
6	107069	2	Clip
7	340-1	1	Fitting-HYD, Straight
7:1	237-21	1	O-Ring
7:2	237-42	1	O-Ring

<i>Ref.</i>	<i>Part Number</i>	<i>Qty.</i>	<i>Description</i>
8	340-99	1	Fitting-HYD, 90 DEG
8:1	237-30	1	O-Ring
8:2	237-42	1	O-Ring
9	131-1934	1	Deck Lift Valve ASM
10	3253-3	2	Washer-Lock
11	321-11	2	Screw-HH
12	110-9834	1	HYD Cylinder ASM
13	32128-37	1	Nut-HF
14	125-1910	1	Pin-Pivot
15	3234-15	1	Screw-HHF
16	302-5	1	Fitting-Grease
17	32151-36	1	Ring-Retaining



## Valve Assembly No. 131-1934

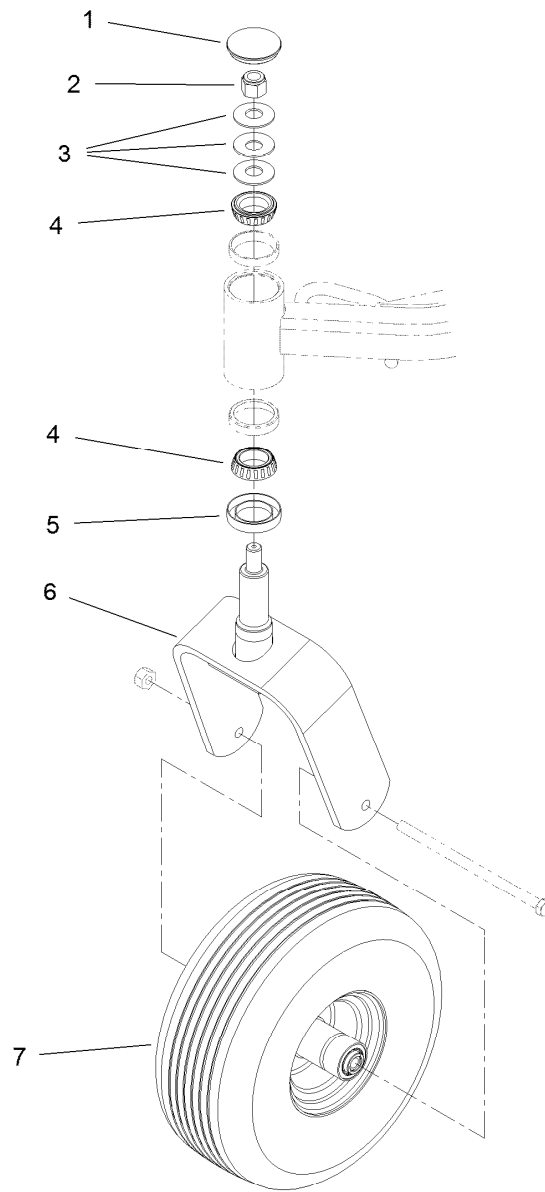
<i>Ref.</i>	<i>Part Number</i>	<i>Qty.</i>	<i>Description</i>
3	107-7517	1	Valve-Solenoid
3:1	105-9156	1	Seal Kit
3:2	107-7812	1	Nut-Solenoid
4	131-1935	1	Valve-Solenoid
5	115-3021	1	Coil-12V
6	119-8036	1	Coil
7	110-2634	1	Nut-Coil



## Hydraulic Cylinder Assembly No. 110-9834

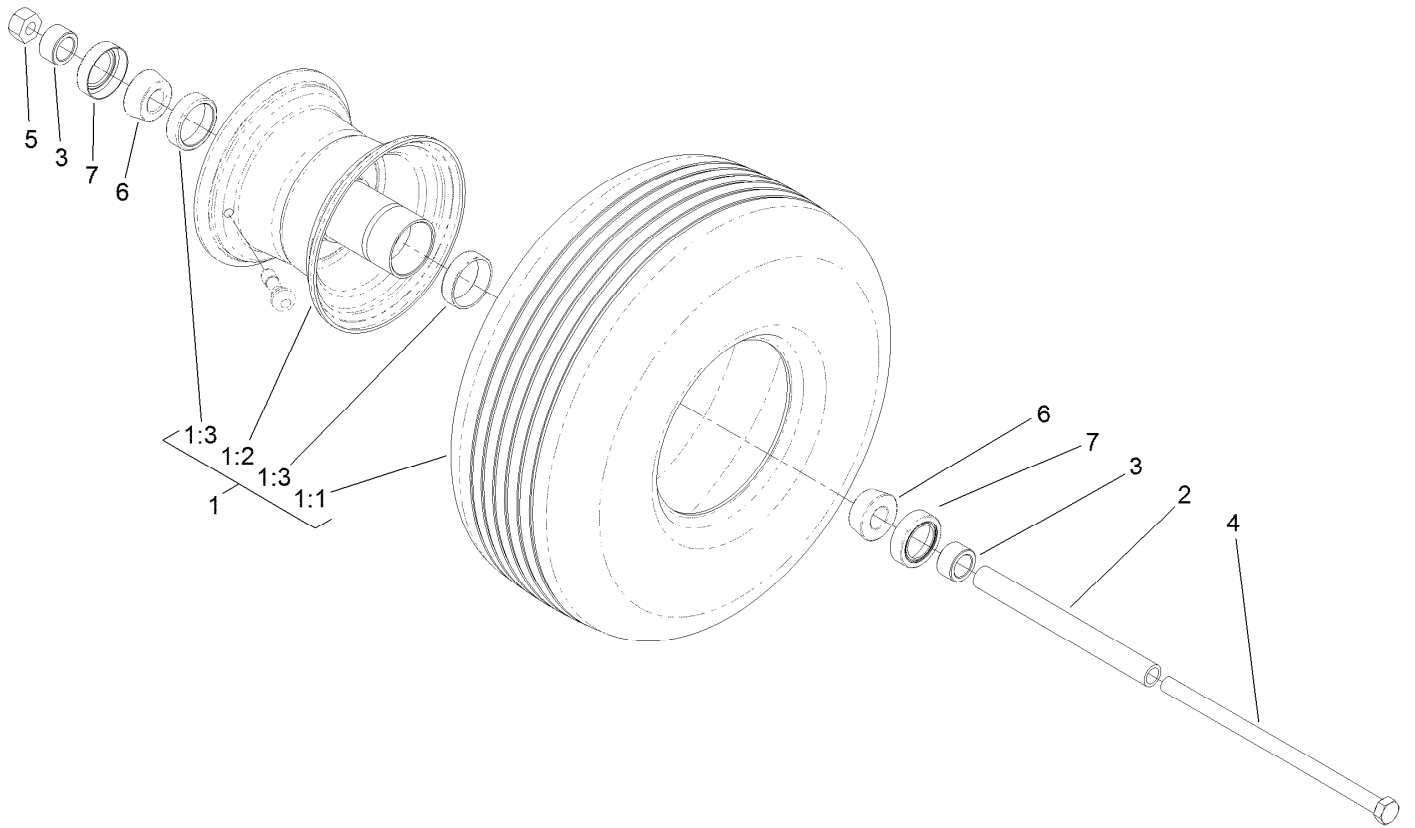
<i>Ref.</i>	<i>Part Number</i>	<i>Qty.</i>	<i>Description</i>
1	112-6353	1	Seal Kit
1:1		1	O-Ring ●
1:2		1	O-Ring ●
1:3		1	Backup ●
1:4		1	Seal-Bp ●
1:5		1	Seal-Rod ●
1:6		1	Seal-Dust ●

● Not serviced separately



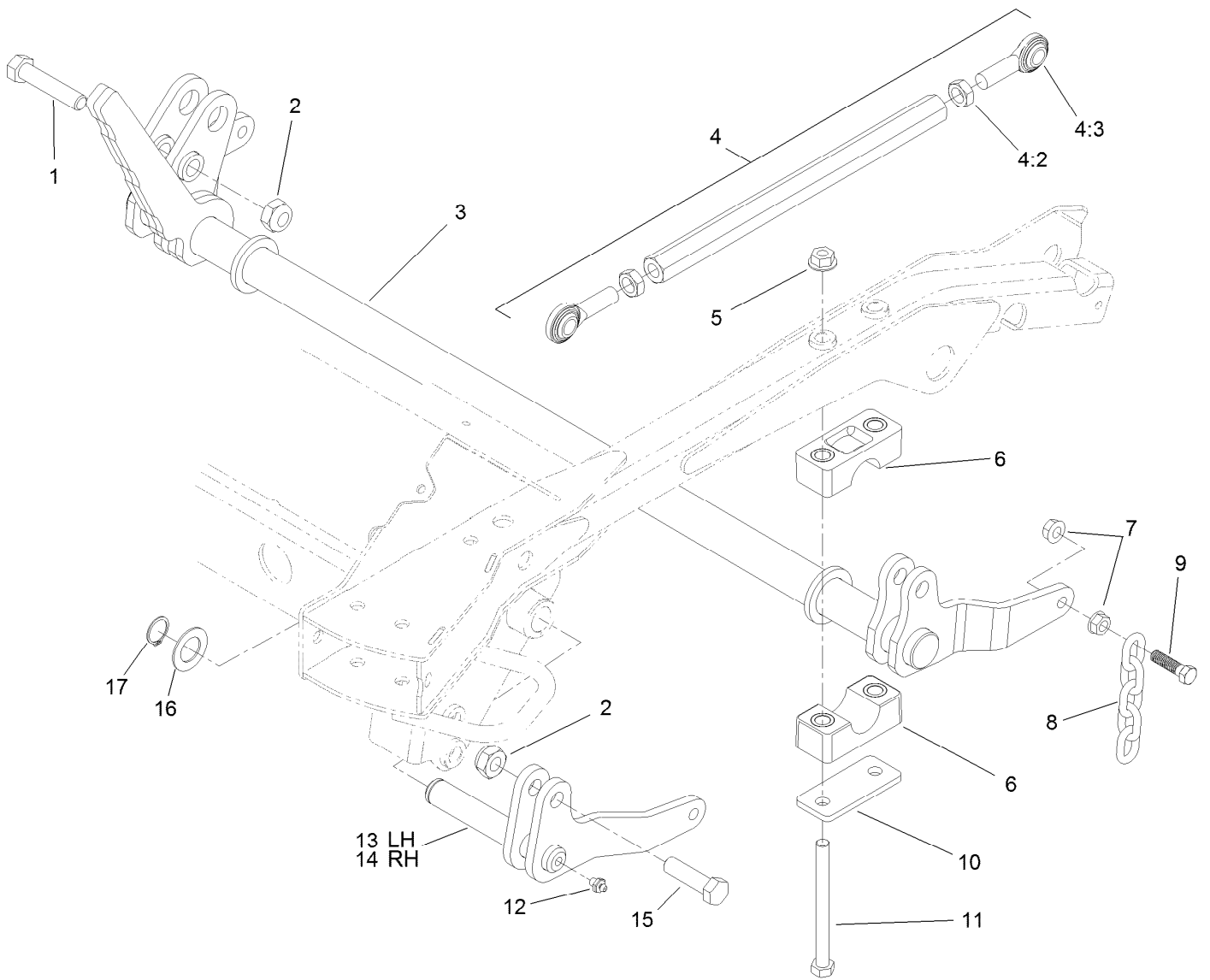
## Caster Wheel Assembly

<i>Ref.</i>	<i>Part Number</i>	<i>Qty.</i>	<i>Description</i>
1	108-9950	2	Cap-Grease
2	3296-51	2	Nut-Lock, NI
3	108-9957	6	Washer-Belleville
4	254-106	4	Cone-Bearing, Tapered
5	69-2980	2	Seal
6	108-9946-03	2	Fork-Caster
7	108-9954	2	Caster Wheel ASM



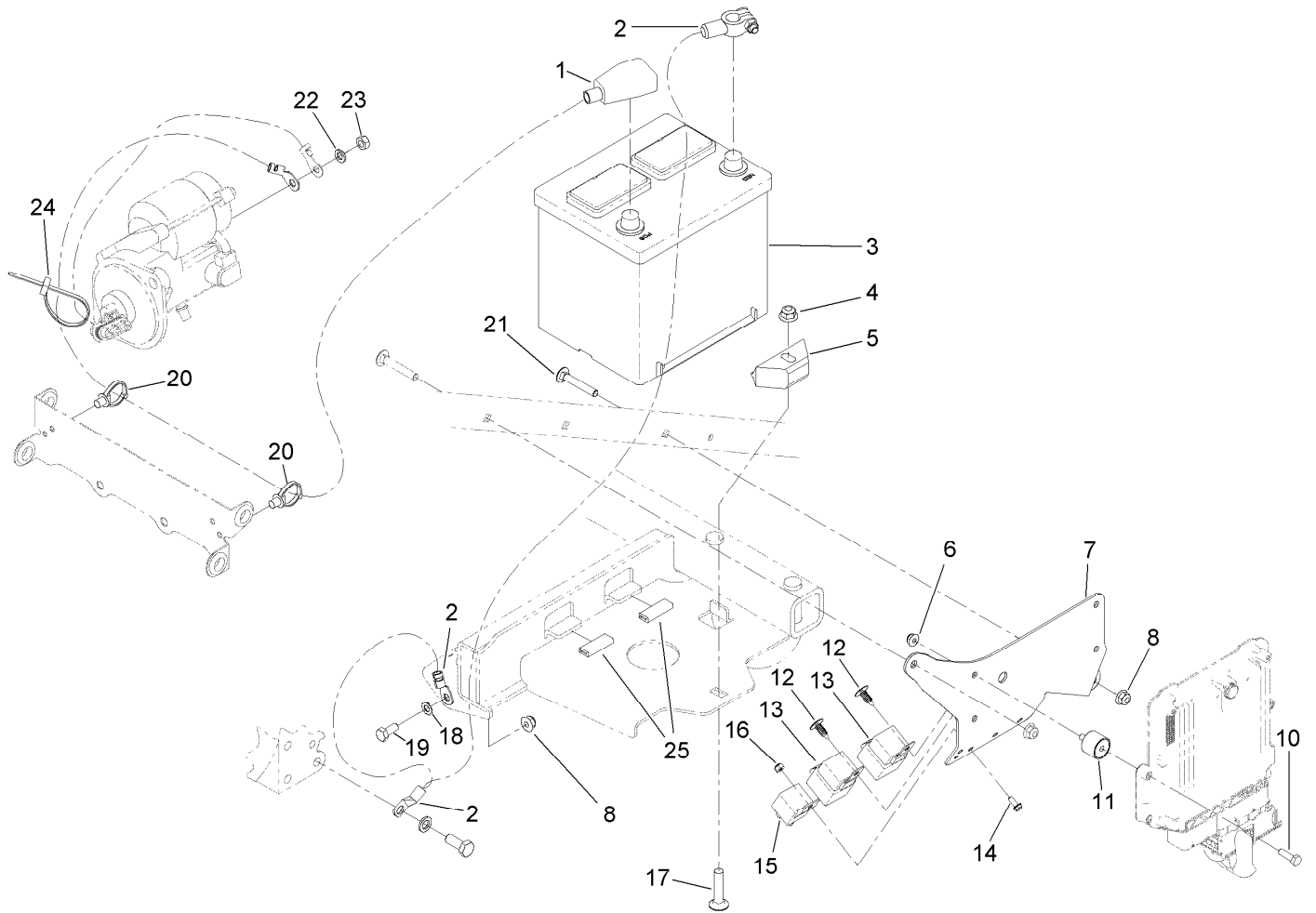
## Caster Wheel Assembly No. 108-9954

Ref.	Part Number	Qty.	Description
1	108-9956	1	Tire And Wheel ASM
1:1	108-9955	1	Tire
1:2	1-633987	1	Wheel
1:3	1-633584	2	Bearing-Cup
2	1-633959	1	Spacer-Caster, Front
3	1-633581	2	Spacer-Bearing
4	325-39	1	Screw-HH
5	3296-25	1	Nut-Lock, NI
6	1-633585	2	Bearing-Cone, Taper
7	1-633580	2	Seal-Bearing



## Deck Lift Assembly

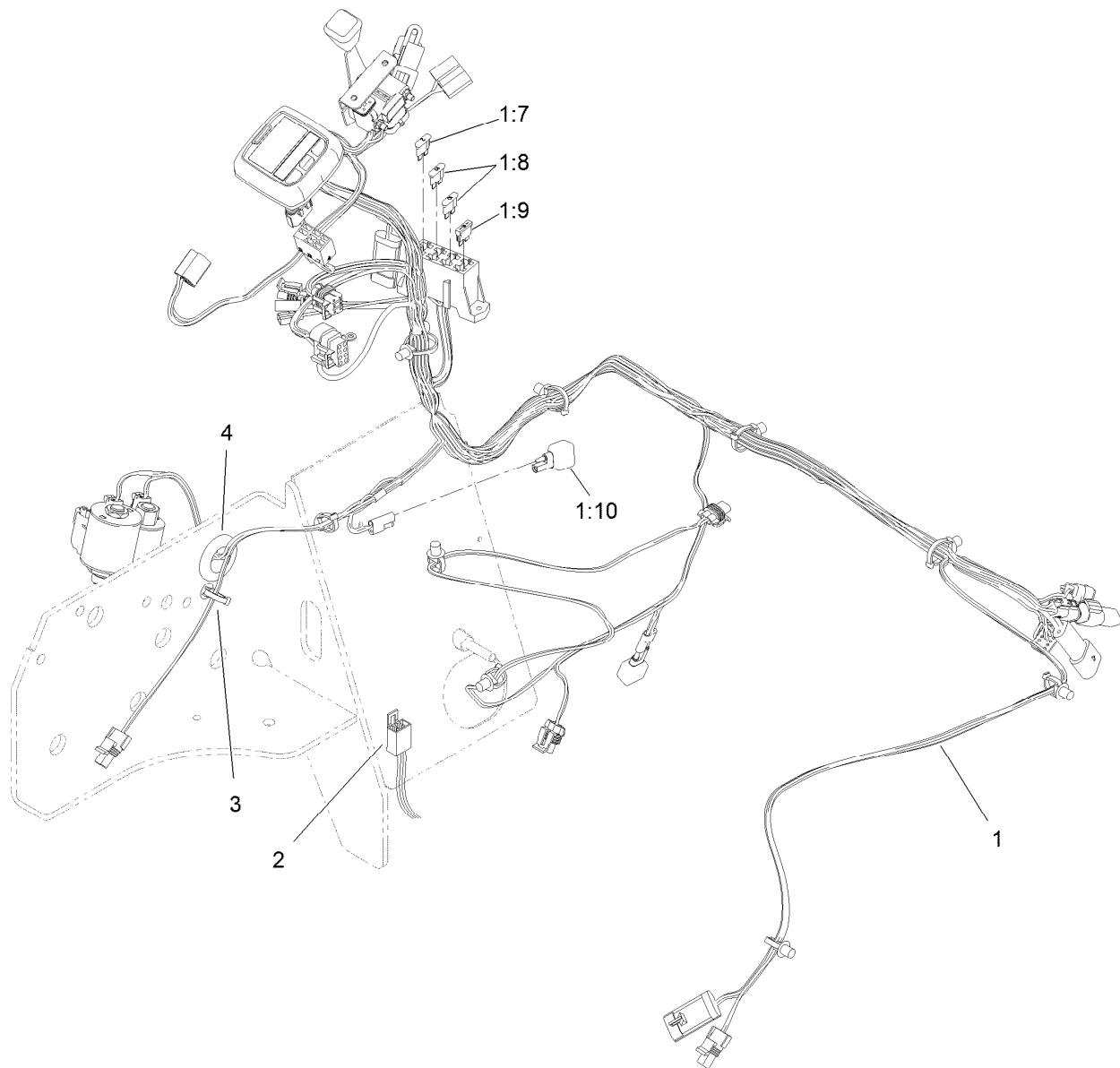
Ref.	Part Number	Qty.	Description	Ref.	Part Number	Qty.	Description
1	104-5895	1	Screw-HH	9	103-1898	4	Screw-HH
2	3296-61	4	Nut-Lock	10	117-2903	2	Plate-Bearing
3	117-9220-03	1	Shaft-Lift	11	325-22	4	Screw-HH
4	114-4059	2	Link ASM	12	302-2	2	Fitting-Grease
4:2	3220-6	2	Nut-Jam	13	110-9818-03	1	Lift-LH
4:3	1-633029	2	Balljoint-Spherical	14	110-9820-03	1	Lift-RH
5	32128-49	4	Nut-HHF	15	327-22	3	Screw-HH
6	115-0491	4	Cap-Bearing	16	69-9010	2	Washer
7	32128-37	8	Nut-HF	17	32151-29	2	Ring-Retaining
8	1-633447	4	Chain-Lift, Deck				



## Battery and Relay Assembly

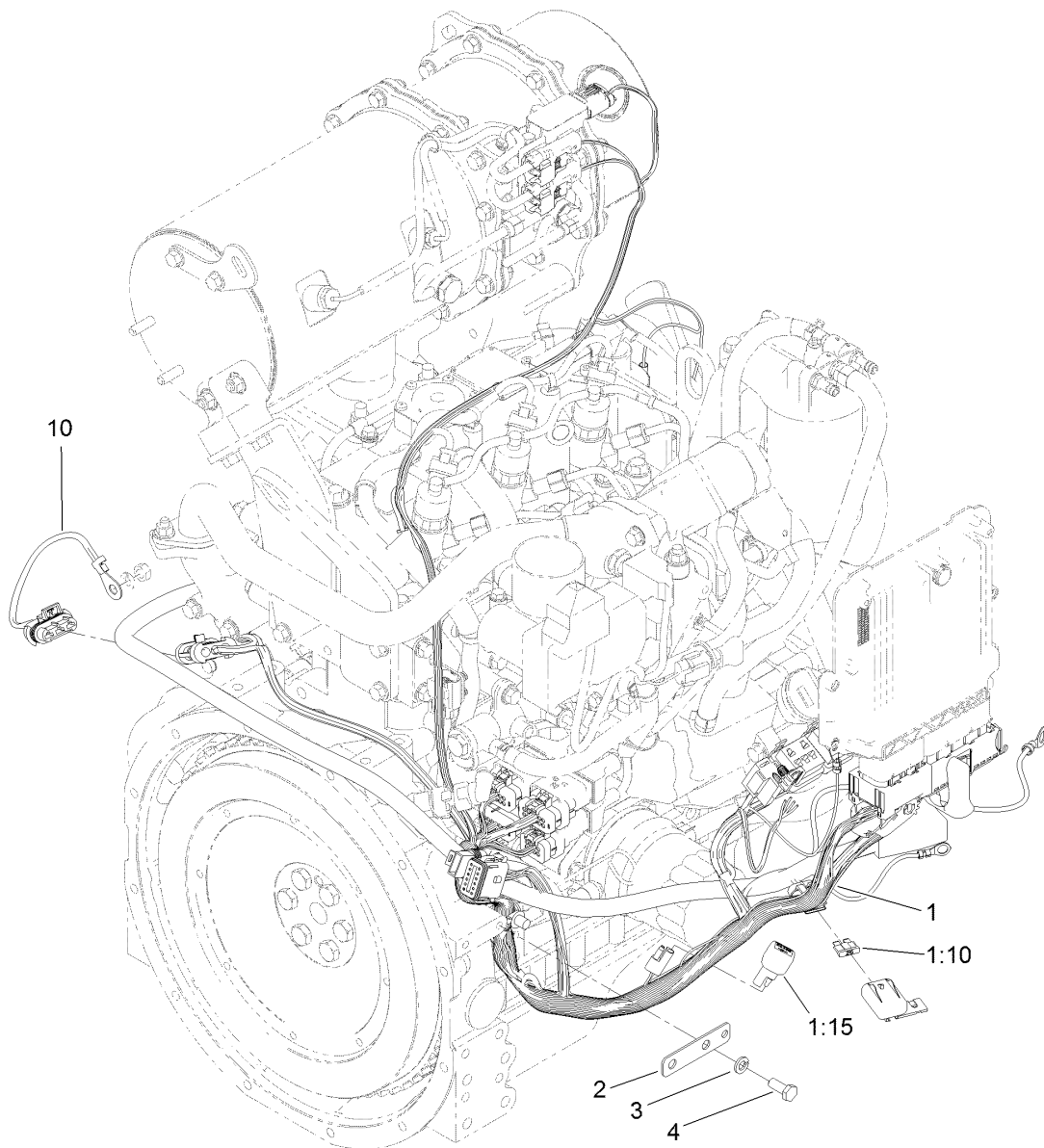
<i>Ref.</i>	<i>Part Number</i>	<i>Qty.</i>	<i>Description</i>	<i>Ref.</i>	<i>Part Number</i>	<i>Qty.</i>	<i>Description</i>
1	108-6327	1	Cable-Battery, Positive	14	3290-321	1	Screw-HWH
2	105-0040	1	Cable-Battery, Negative	15	99-7435	1	Relay-Power
3	106-5187	1	Battery-Dry	16	3296-2	1	Nut-Lock, NI
4	104-8301	1	Nut-Flange, NI	17	3231-5	1	Screw-CARR
5	66-2490	1	Retainer-Battery	18	3255-8	1	Washer-Lock
6	104-7201	4	Nut-Flange, NI	19	322-3	1	Screw-HH
7	120-9148-03	1	Plate-Controller	20	32180-030	2	Clip-Tie
8	104-8300	2	Nut-Flange, NI	21	3230-6	1	Screw-CARR
10	321-5	4	Screw-HH	22	3253-4	1	Washer-Lock
11	125-2674	4	Mount-Cylindrical	23	33014-00	1	Nut-Hex
12	117-2382	2	Plug-Plastic	24	3290-378	1	Tie-Cable
13	99-7430	2	Relay	25	131-5508	2	Trim-Battery Hold Down





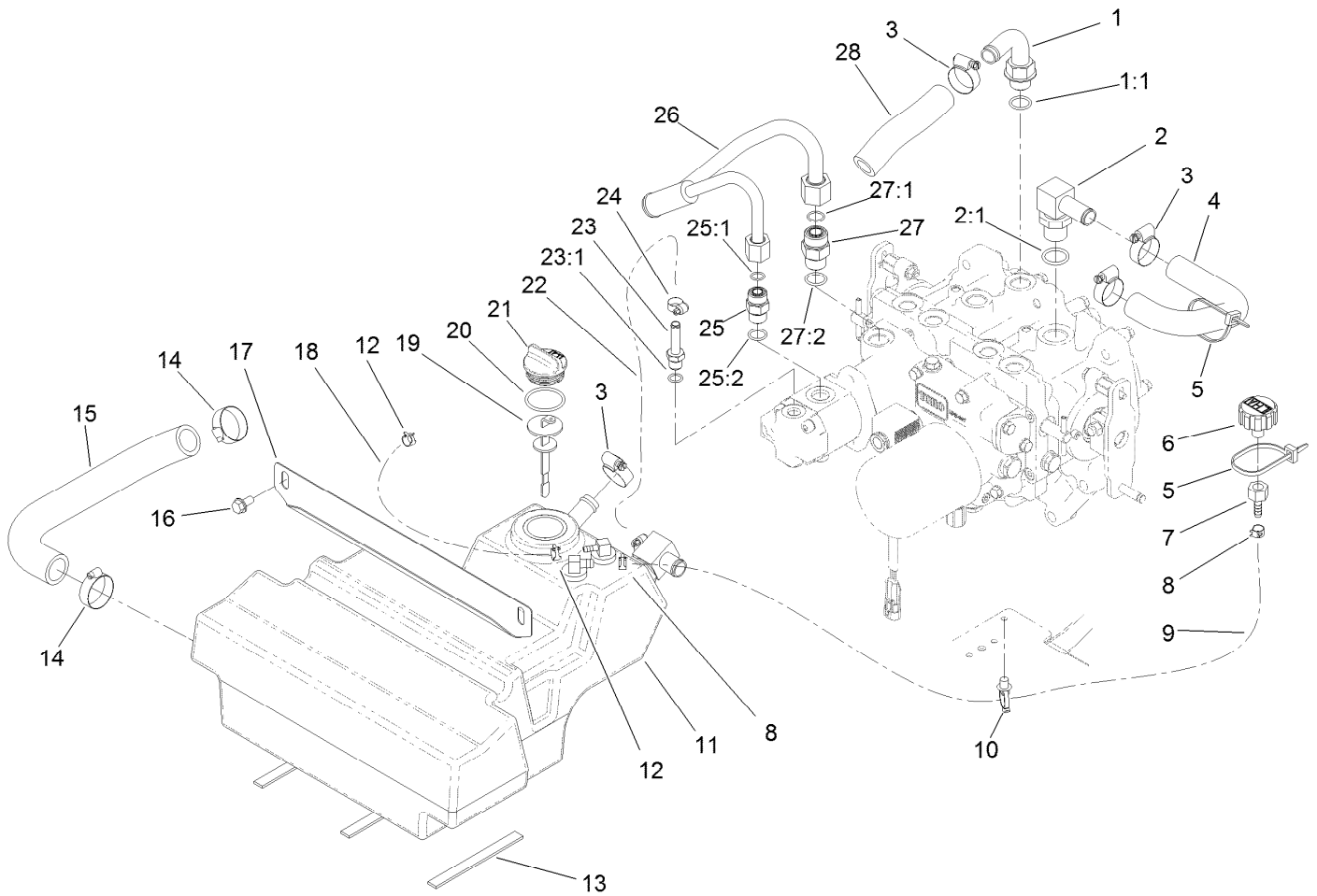
## Main Wire Harness Assembly

<i>Ref.</i>	<i>Part Number</i>	<i>Qty.</i>	<i>Description</i>
1	119-4370	1	Harness-Wire, Main
1:7	94-6710	1	Fuse-2 Amp
1:8	218-578	2	Fuse-Blade, 10 Amp
1:9	109355	1	Fuse-Blade, 15 Amp
1:10	100-4918	2	Diode-Over Molded
2	108-8657	1	Harness-Wire, Seat
3	3290-378	3	Tie-Cable
4	237-165	1	Grommet



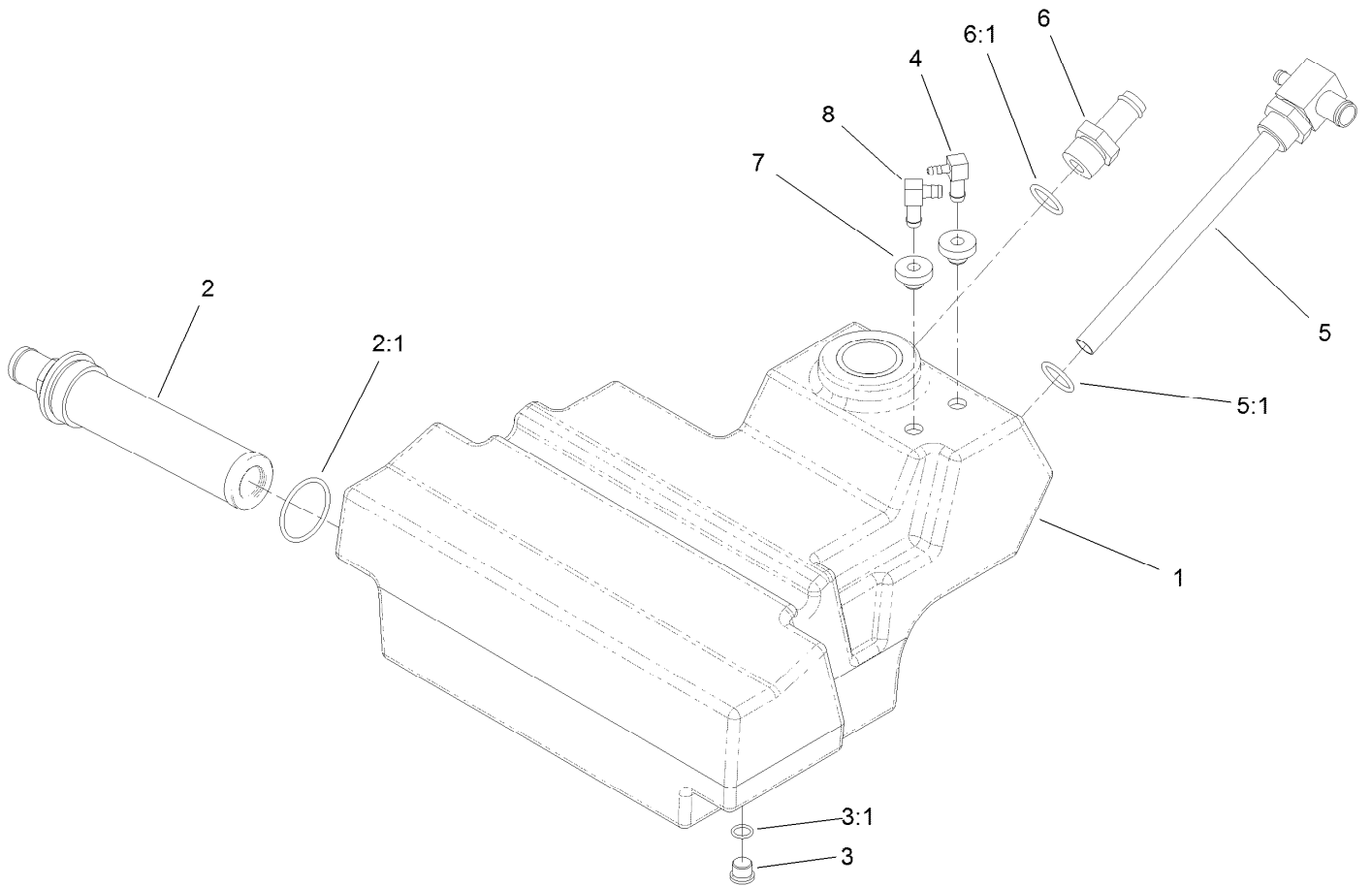
## Engine Harness Assembly

<b>Ref.</b>	<b>Part Number</b>	<b>Qty.</b>	<b>Description</b>
1	119-4371	1	Harness-Wire, Yanmar
1:10	109102	1	Fuse-Blade, 25 Amp
1:15	100-4918	3	Diode-Over Molded
2	121-5636	1	Tab-Harness
3	3253-4	2	Washer-Lock
4	33114-020	2	Screw-HH
10	99-3441	1	Harness-Wire, Fusible Link



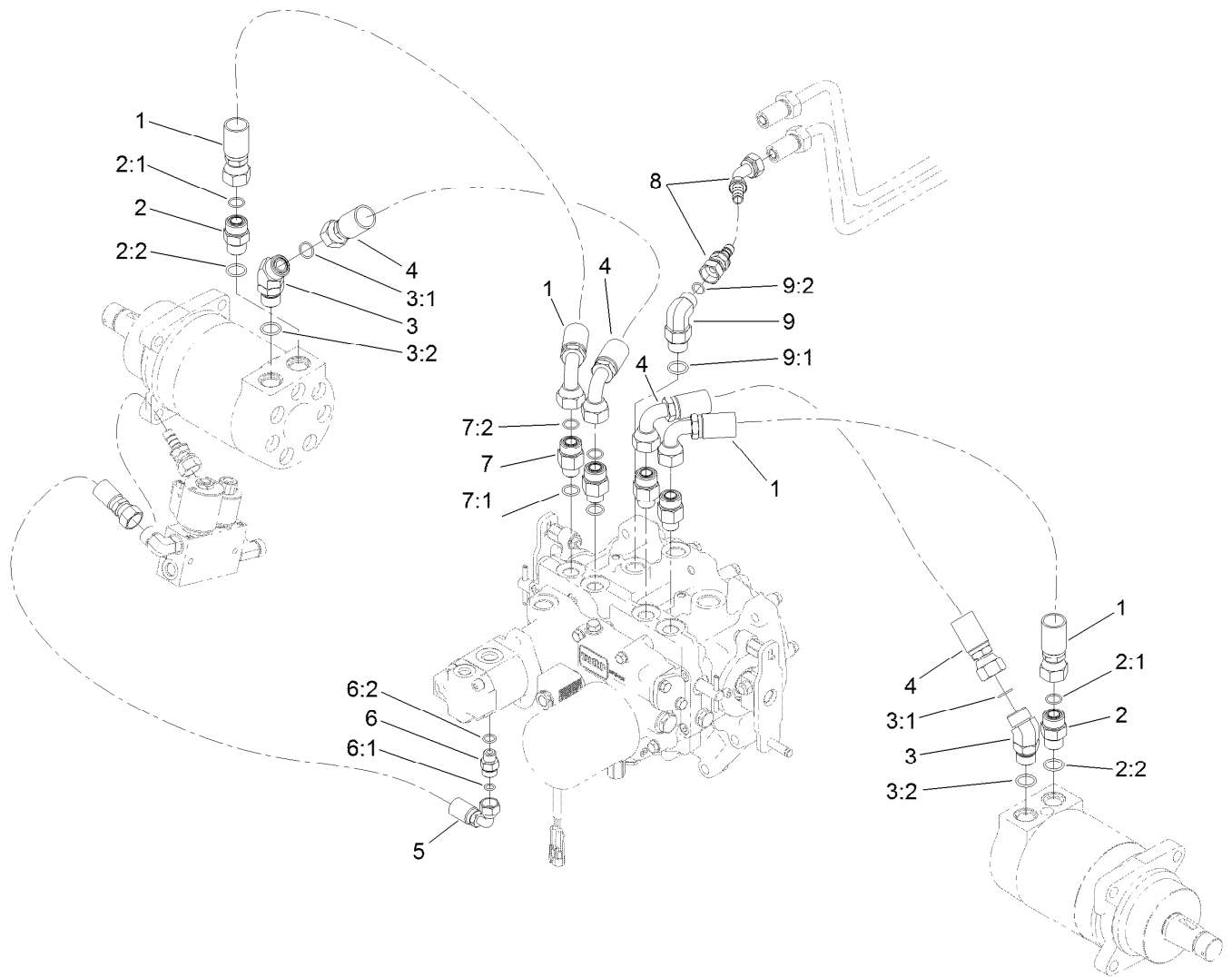
## Hydraulic Reservoir Assembly

Ref.	Part Number	Qty.	Description	Ref.	Part Number	Qty.	Description
1	110-5522	1	Fitting-Elbow, 90	16	32144-14	2	Screw-HWHTF
1:1	237-80	1	O-Ring	17	110-5529-03	1	Support-Reservoir
2	353-987	1	Fitting-HYD, 90 DEG (Barbed)	18	109-0299	1	Hose-Fuel
2:1	237-81	1	O-Ring	19	112-6365	1	Dipstick
3	2412-129	4	Clamp-Hose	20	94-8166	1	O-Ring
4	110-5524	1	Hose-Return	21	93-7498	1	Plug-Plastic
5	3290-379	2	Tie-Cable	22	94-5625	1	Hose-Overflow, Radiator
6	68-6150	1	Breather	23	353-979	1	Fitting-Straight
7	354-95	1	Fitting-Straight	23:1	237-42	1	O-Ring
8	92-2379	2	Clamp-Hose	24	2412-108	2	Clamp-Worm
9	110-9662	1	Hose-Fuel	25	340-4	1	Fitting-HYD, Straight
10	32180-030	1	Clip-Tie	25:1	237-30	1	O-Ring
11	110-8237	1	HYD Reservoir ASM	25:2	237-79	1	O-Ring
12	2412-98	2	Clamp-Hose	26	110-5532	1	Tube
13	120-0017	3	Strip-Foam	27	340-7	1	Adapter
14	2412-34	2	Clamp-Hose	27:1	237-65	1	O-Ring
15	110-5526	1	Hose-Suction	27:2	237-80	1	O-Ring
				28	112-1680	1	Hose-HYD



## Hydraulic Reservoir Assembly No. 110-8237

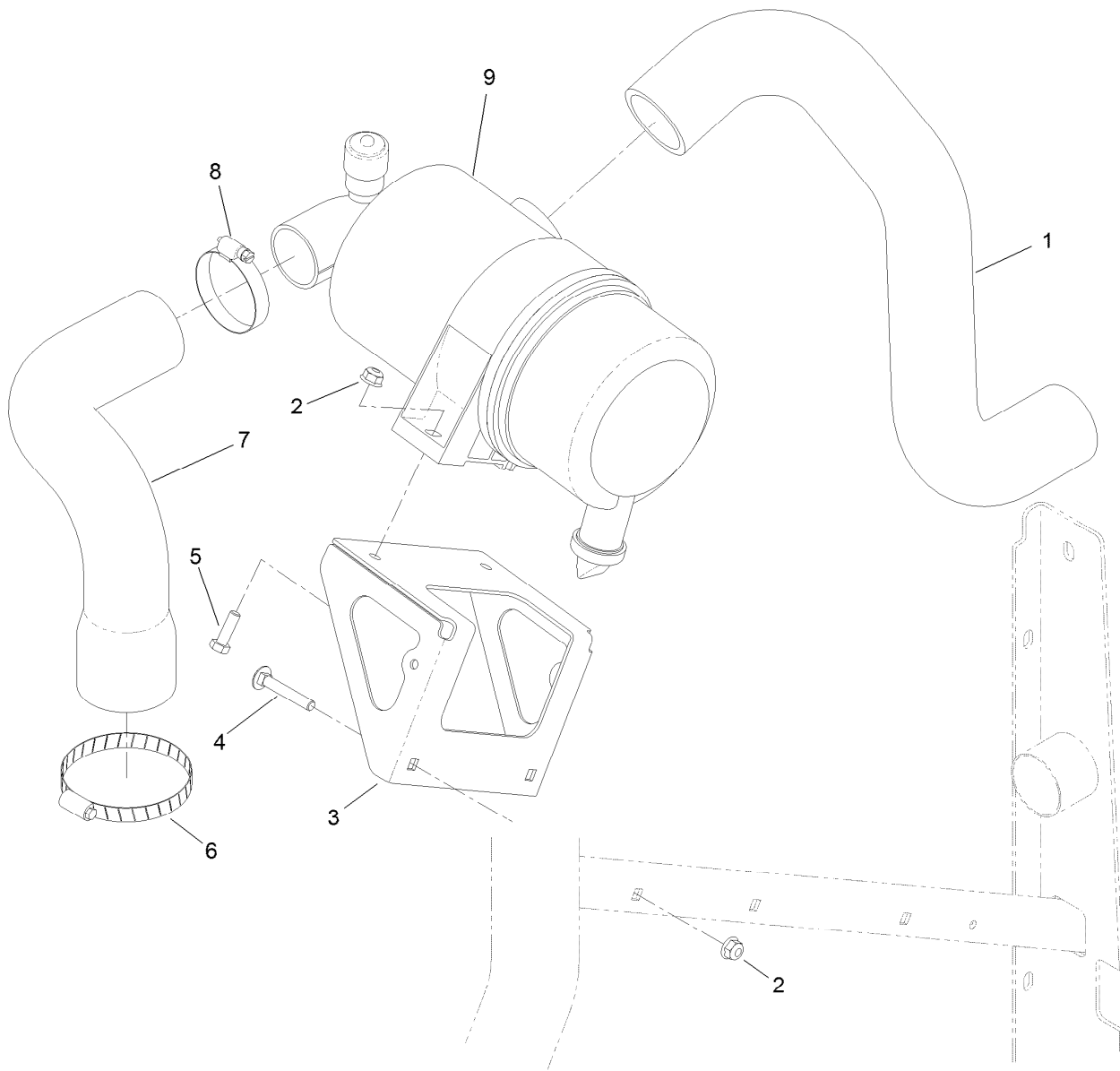
<i>Ref.</i>	<i>Part Number</i>	<i>Qty.</i>	<i>Description</i>
1	108-5200	1	Reservoir-HYD
2	104-7546	1	Tank Strainer ASM
2:1	340-136	1	O-Ring
3	353-989	1	Plug-Hex, Hollow
3:1	237-42	1	O-Ring
4	104-5228	1	Fitting-Elbow, 90 DEG
5	108-9894	1	Fitting-Elbow, Special
5:1	237-81	1	O-Ring
6	354-73	1	Fitting-Straight
6:1	237-81	1	O-Ring
7	46-6560	2	Bushing
8	46-6550	1	Fitting-Elbow, 90 DEG



## Hydraulic Hose Routing Assembly

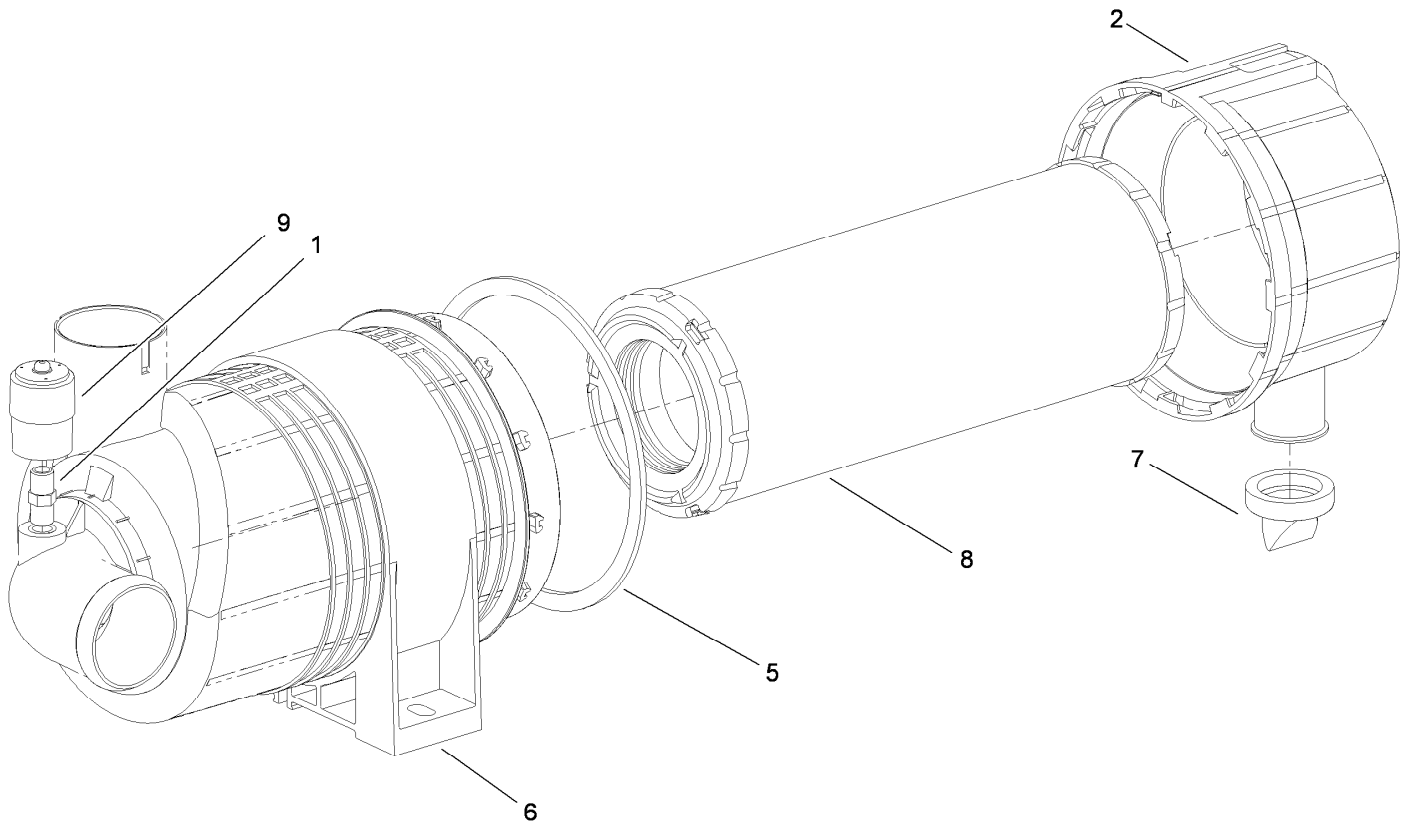
Ref.	Part Number	Qty.	Description
1	112-1683	2	Hose
2	340-7	2	Adapter
2:1	237-65	1	O-Ring
2:2	237-80	1	O-Ring
3	340-14	2	Fitting-HYD, 45 DEG
3:1	237-65	1	O-Ring
3:2	237-80	1	O-Ring
4	110-5518	2	Hose
5	127-4910	1	Hose-HYD
6	340-2	1	Fitting-HYD, Straight

Ref.	Part Number	Qty.	Description
6:1	237-22	1	O-Ring
6:2	237-42	1	O-Ring
7	340-155	4	Fitting-HYD, Straight
7:1	237-79	1	O-Ring
7:2	237-151	1	O-Ring
8	121-3372	1	Hose-HYD
9	340-105	1	Fitting-HYD, 90 DEG
9:1	237-80	1	O-Ring
9:2	237-30	1	O-Ring



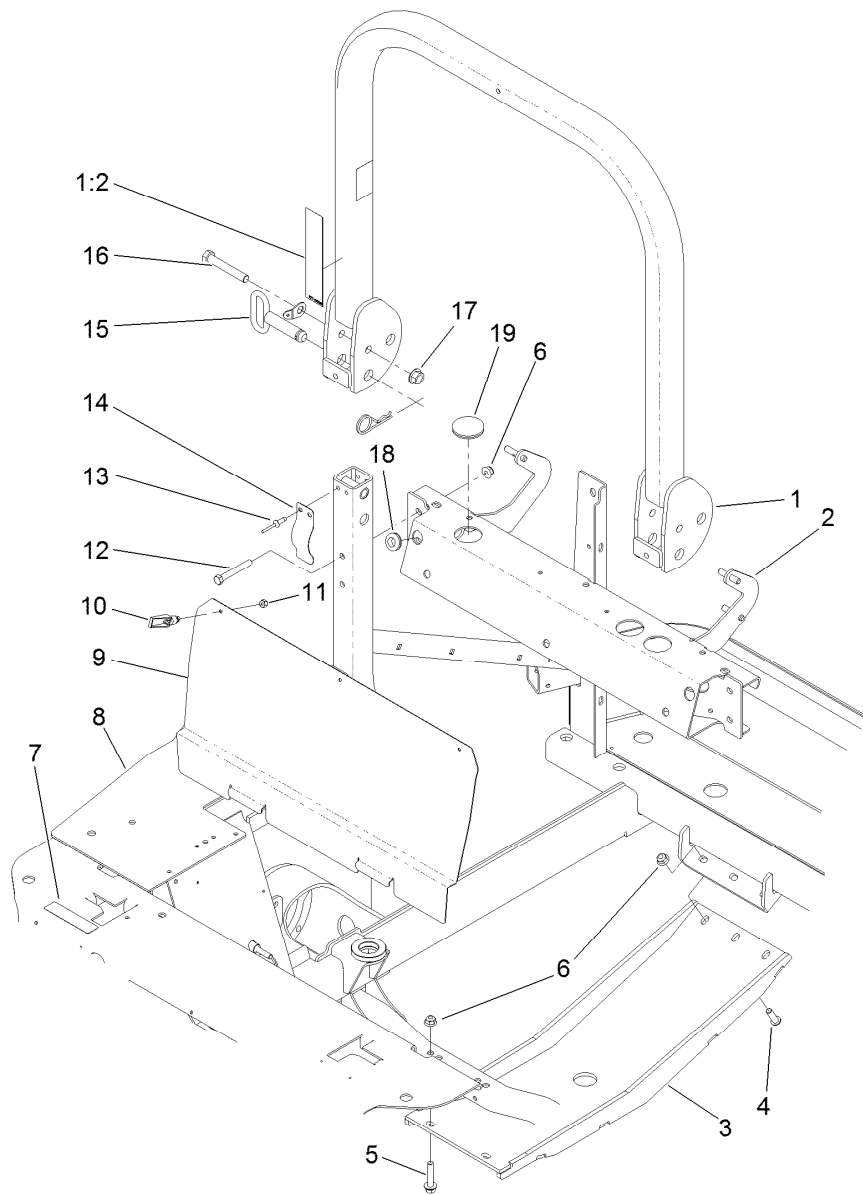
## Air Cleaner Assembly

<i>Ref.</i>	<i>Part Number</i>	<i>Qty.</i>	<i>Description</i>
1	120-9177	1	Hose-Air
2	104-8300	4	Nut-Flange, NI
3	120-9198-03	1	Bracket-Air Cleaner
4	3230-6	2	Screw-CARR
5	322-5	2	Screw-HH
6	2412-125	1	Clamp-Hose
7	120-9199	1	Hose-Air
8	2412-130	1	Clamp-Hose
9	104-3428	1	Air Cleaner ASM



## Air Cleaner Assembly No. 104-3428

<i>Ref.</i>	<i>Part Number</i>	<i>Qty.</i>	<i>Description</i>
1	105-4292	1	Nipple-Pipe
2	104-0497	1	Cover
5	104-4897	1	Gasket
6	98-4525	1	Bracket-Cleaner, Air
7	104-0498	1	Valve-Vacuator
8	108-3810	1	Filter-Air
9	93-9164	1	Indicator-Mini

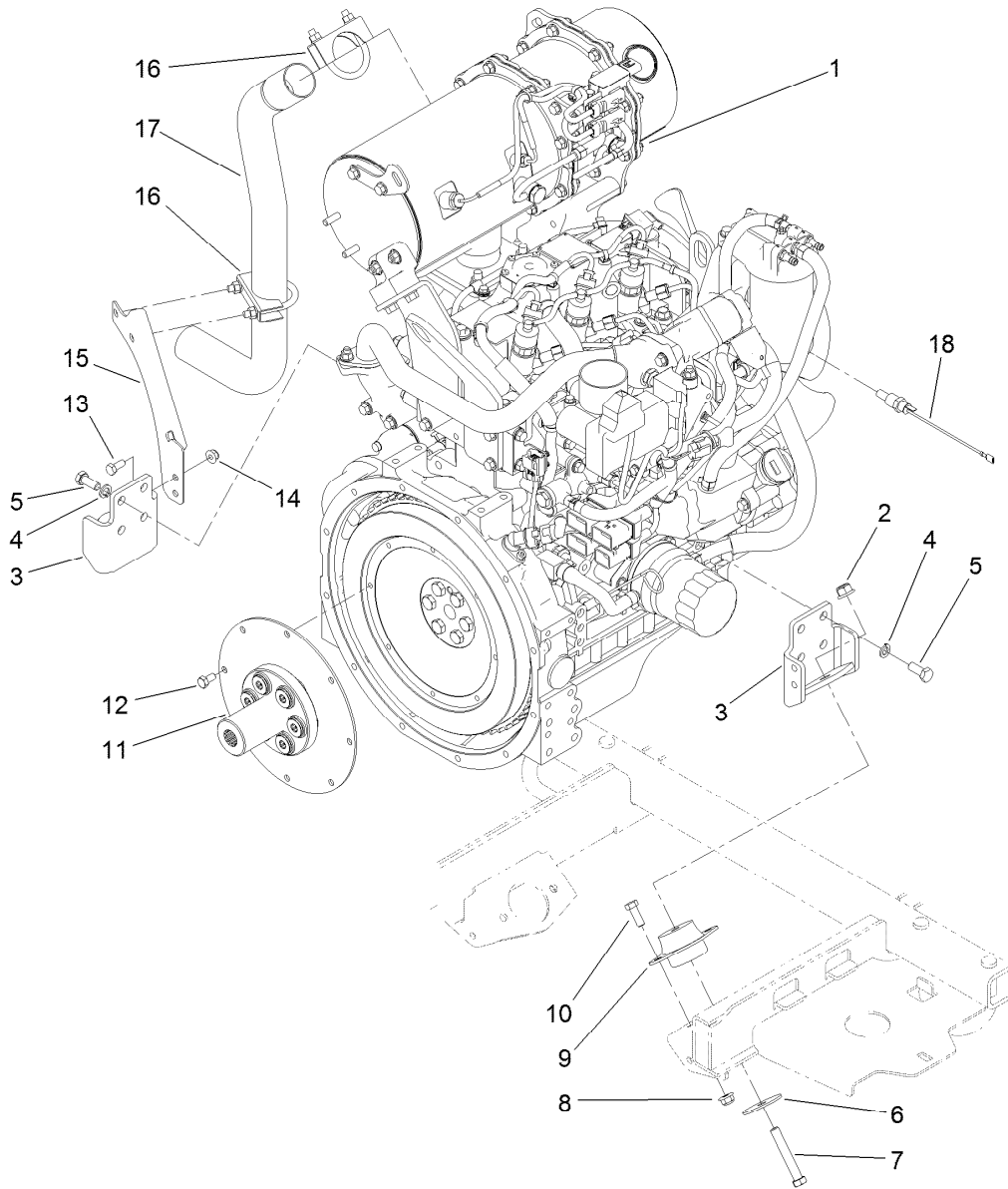


## Frame and Upper-ROPS Assembly

Ref.	Part Number	Qty.	Description
1	110-9770	1	Upper ROPS ASM
1:2	107-3069	1	Decal-Warning, Folding ROPS
2	130-5995-03	1	Crossmember ASM
3	125-2660-03	1	Skid
4	3274-63	3	Screw-HSBH
5	3274-107	2	Screw-HSBH
6	104-8301	9	Nut-Flange, NI
7	117-2718	1	Decal-Arrester, Spark
8	120-0060-03	1	Frame-Rear
9	121-3381-03	1	Panel-Rear

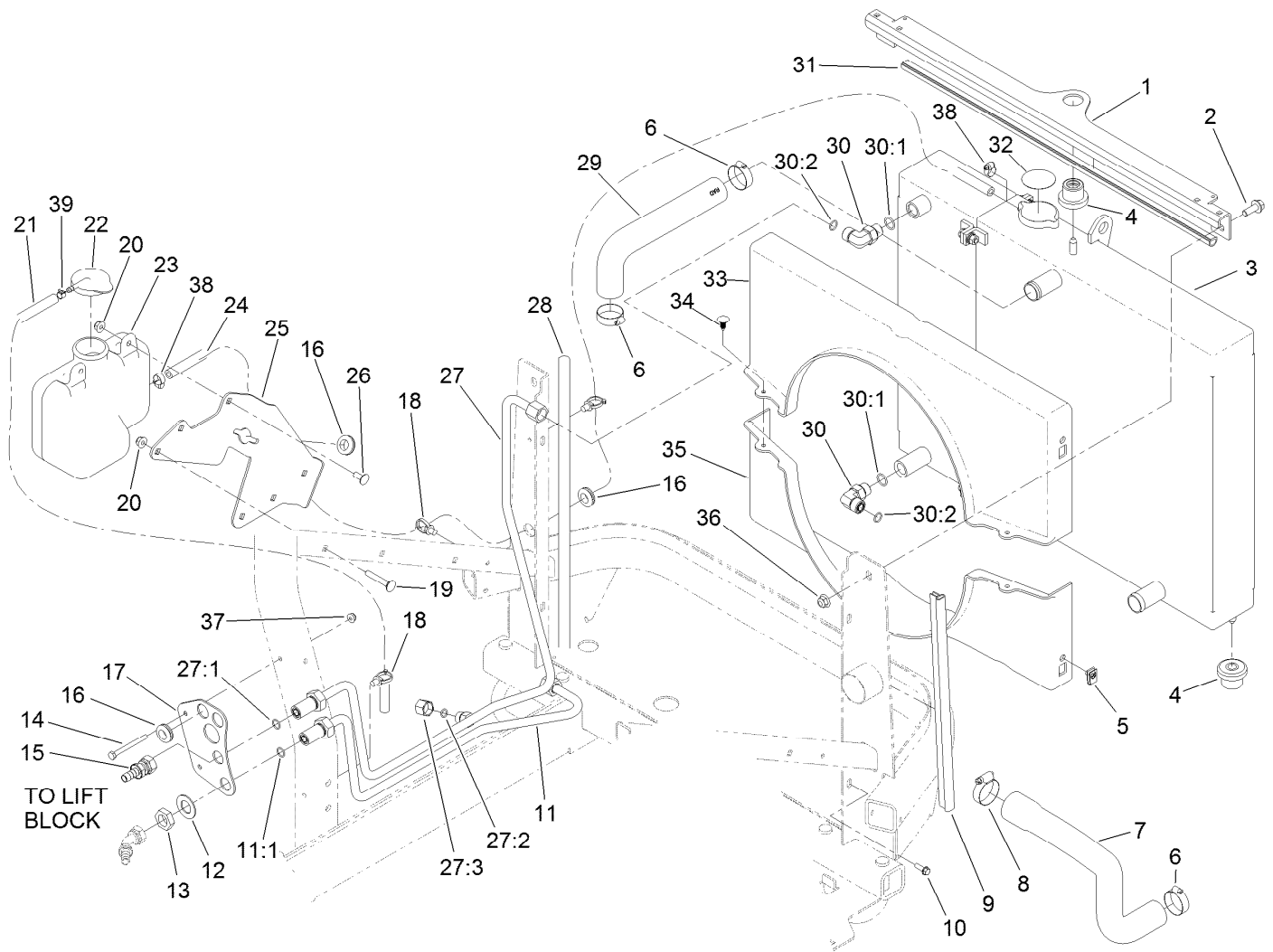
Ref.	Part Number	Qty.	Description
10	74-5950	3	Latch-Swell
11	1-804254	3	Nut-Lock, HH
12	323-13	4	Screw-HH
13	3290-412	4	Rivet
14	110-5696	2	Spring-Leaf
15	103-4553	2	Pin-Fold, ROPS
16	112-7264	2	Screw-HH
17	32128-23	2	Nut-HF
18	105-5761	3	Grommet
19	237-124	2	Grommet





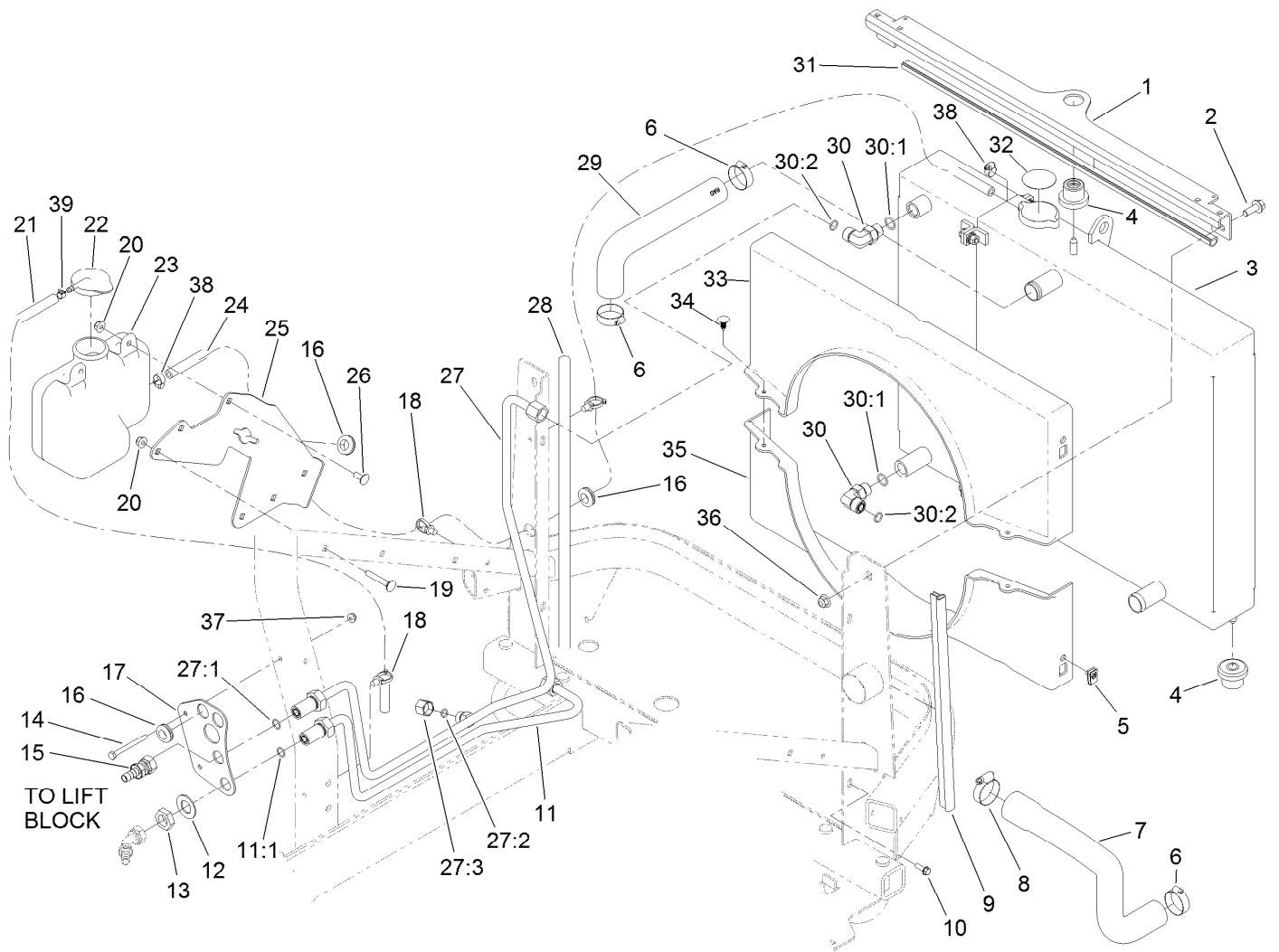
## Engine Assembly

<i>Ref.</i>	<i>Part Number</i>	<i>Qty.</i>	<i>Description</i>	<i>Ref.</i>	<i>Part Number</i>	<i>Qty.</i>	<i>Description</i>
1	120-9160	1	Engine-Yanmar, Diesel	10	323-6	4	Screw-HH
2	114-8417	2	Nut-HF, NI	11	120-9131	1	Coupling-Flywheel
3	120-9180-03	2	Mount-Motor, Upper	12	99-5132	8	Bolt
4	48-9590	8	Washer-Lock	13	104-8300	2	Nut-Flange, NI
5	33115-025	8	Screw-HH	14	322-3	2	Screw-HH
6	87-5100	2	Washer-Snubbing	15	127-6450-03	1	Support-Exhaust
7	324-11	2	Screw-HH	16	18-2130	2	Clamp
8	104-8301	4	Nut-Flange, NI	17	120-9137	1	Tube-Exhaust
9	53-9681	2	Mount-Engine	18	112-6347	1	Switch-Temp, Dual



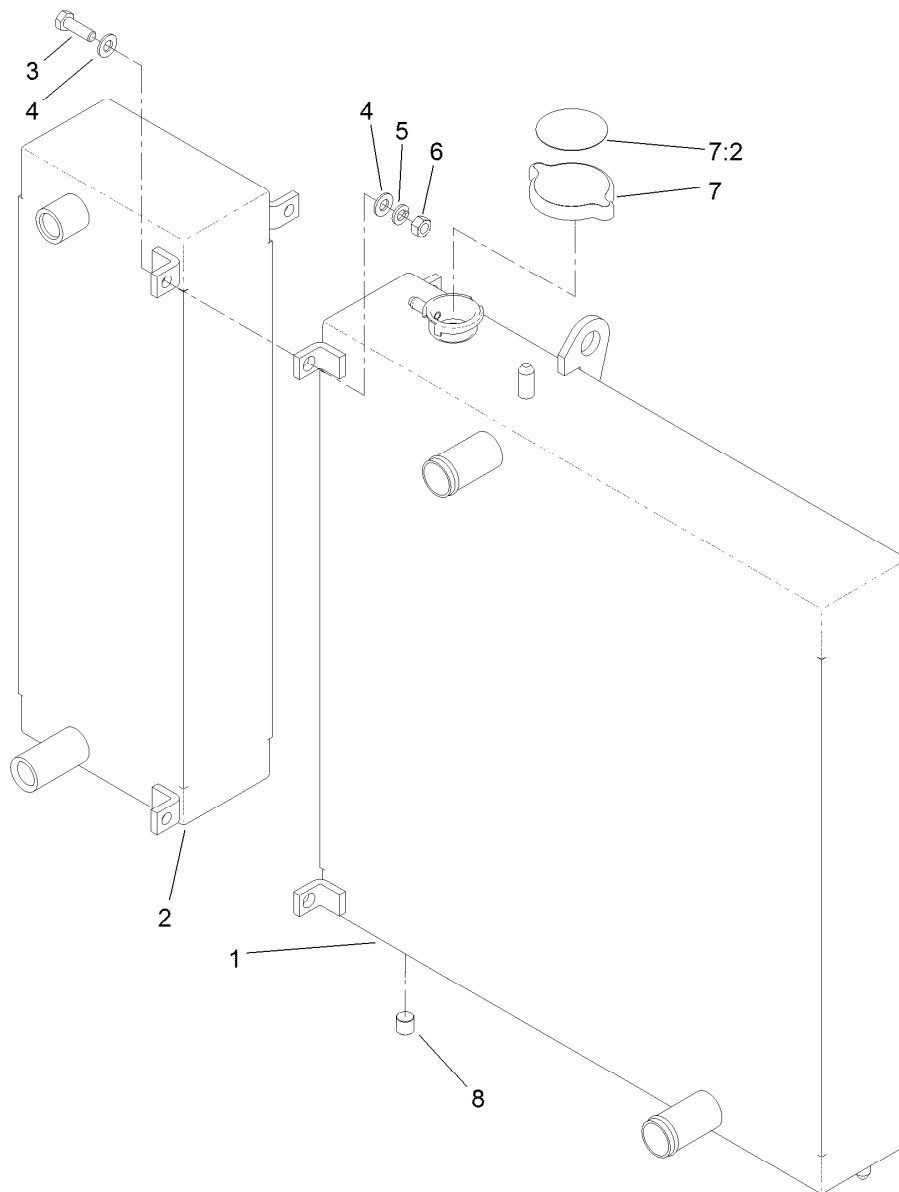
## Radiator Assembly

Ref.	Part Number	Qty.	Description	Ref.	Part Number	Qty.	Description
1	120-0068-03	1	Bracket-Cooling, Top	21	110-8255	1	Hose-Fuel
2	3234-42	2	Screw-HHF	22	1-643164	1	Cap-Tank, Overflow
3	121-3330	1	Cooling ASM	23	125-2651	1	Bottle-Overflow
4	119-1422	3	Mount-Isolator	24	110-3258	1	Hose-Fuel
5	107069	4	Clip	25	125-2656-03	1	Bracket-Bottle
6	2412-34	3	Clamp-Hose	26	3230-23	2	Screw-CARR
7	121-3322	1	Hose-Radiator, Lower	27	121-3323	1	HYD Tube ASM
8	2412-3	1	Clamp-Hose	27:1	237-30	1	O-Ring
9	120-9146	2	Seal-Bulb	27:2	237-22	1	O-Ring
10	32105-15	4	Screw-HWH	27:3	340-117	1	Cap
11	121-3324	1	HYD Tube ASM	28	119-1426	2	Seal-Bulb
11:1	237-30	1	O-Ring	29	121-3321	1	Hose-Radiator, Upper
12	69-8930	2	Washer	30	340-98	2	Fitting-HYD, 90 DEG
13	340-127	2	Nut-Bulkhead	30:1	237-79	1	O-Ring
14	321-14	2	Screw-HH	30:2	237-30	1	O-Ring
15	121-3373	1	Hose-HYD	31	119-1427	2	Seal-Bulb
16	237-124	4	Grommet	32	117-3276	1	Decal-Danger
17	121-3318	1	Bracket-Bulkhead	33	121-3312	1	Shroud-Top
18	32180-030	3	Clip-Tie	34	117-2382	2	Plug-Plastic
19	3230-6	2	Screw-CARR	35	121-3311	1	Shroud-Bottom
20	104-8300	4	Nut-Flange, NI	36	104-8301	2	Nut-Flange, NI



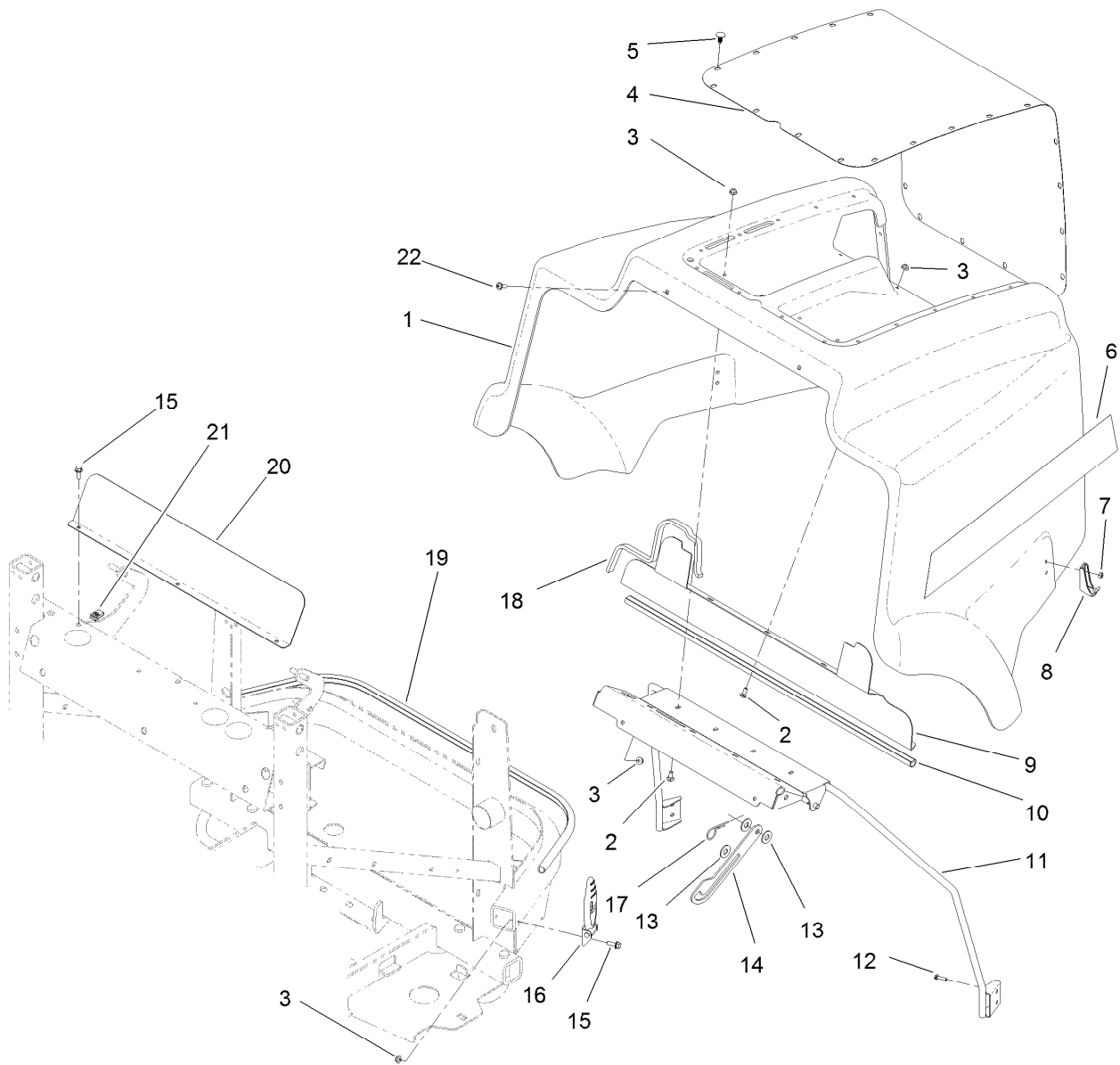
## Radiator Assembly (continued)

<i>Ref.</i>	<i>Part Number</i>	<i>Qty.</i>	<i>Description</i>	<i>Ref.</i>	<i>Part Number</i>	<i>Qty.</i>	<i>Description</i>
37	104-7201	2	Nut-Flange, NI	38	2412-108	1	Clamp-Worm
				39	2412-80	1	Clamp-Hose



## Cooling Assembly No. 121-3330

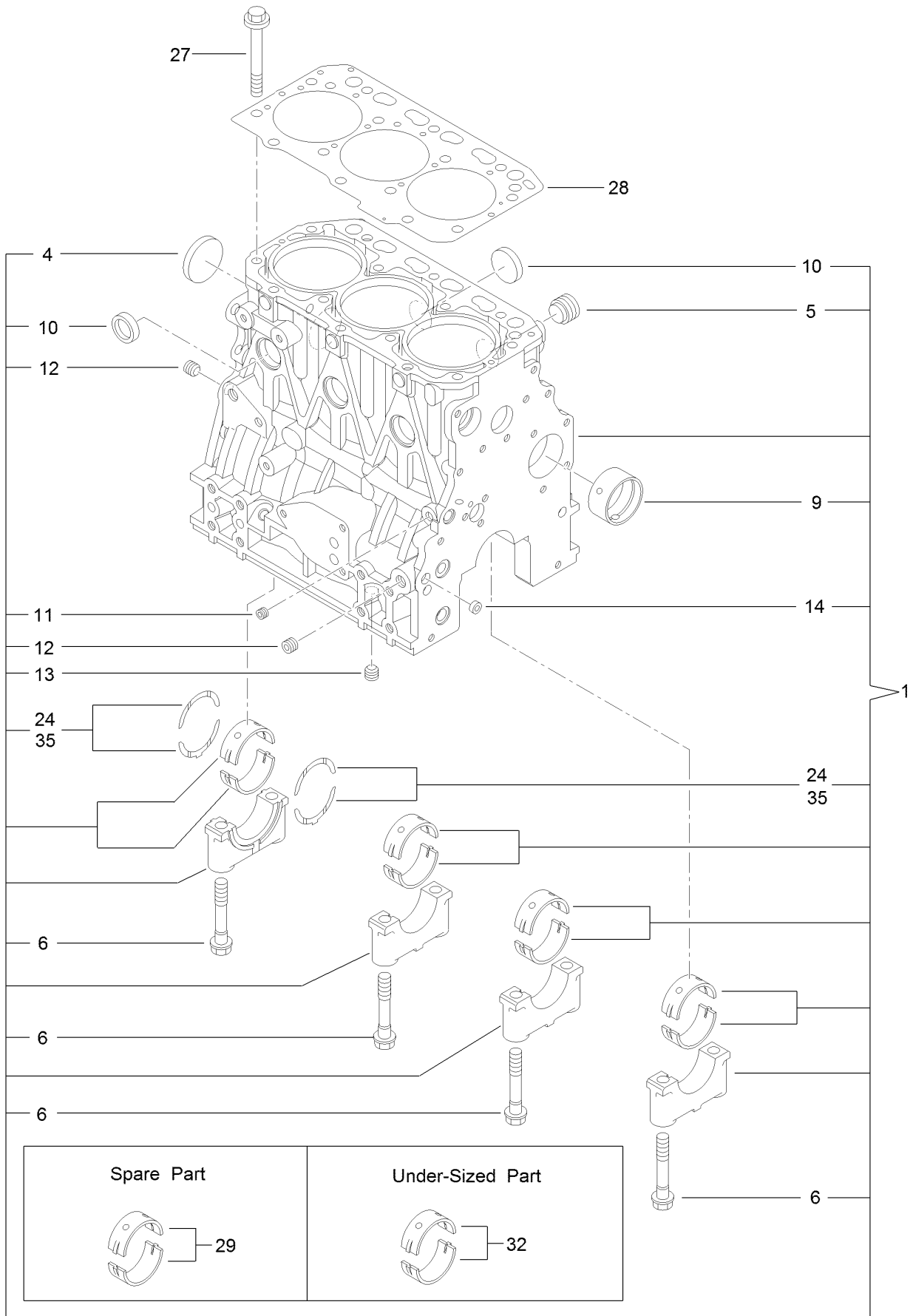
<i>Ref.</i>	<i>Part Number</i>	<i>Qty.</i>	<i>Description</i>
1	121-3328	1	Radiator
2	121-3329	1	Oil Cooler
3	322-5	3	Screw-HH
4	3256-23	6	Washer-Flat
5	3253-4	3	Washer-Lock
6	3217-6	3	Nut-Hex
7	119-1430	1	Radiator Cap ASM
7:2	117-3276	1	Decal-Danger
8	99-8551	1	Plug-Pipe



## Hood Assembly

<b>Ref.</b>	<b>Part Number</b>	<b>Qty.</b>	<b>Description</b>	<b>Ref.</b>	<b>Part Number</b>	<b>Qty.</b>	<b>Description</b>
1	125-2709	1	Hood	12	3274-39	4	Screw-HSBH
2	3229-11	7	Screw-CARR	13	3256-4	3	Washer-Flat
3	104-7201	11	Nut-Flange, NI	14	120-9129	1	Prop-Hood
4	120-9134-03	1	Screen-Intake	15	3234-4	5	Screw-HHF
5	117-2382	26	Plug-Plastic	16	103-2898	2	Latch-Rubber
6	110-5545	2	Decal-Hood	17	3290-255	2	Pin-Cotter, Hair
7	3296-2	4	Nut-Lock, NI	18	121-3335	2	Seal-Foam
8	103-2897	2	Latch-Catch	19	120-9161	1	Seal-Bulb
9	120-9121-03	1	Plate-Seal	20	120-9139-03	1	Shield-Air
10	120-9147	1	Seal-Bulb	21	107069	3	Clip
11	120-9126-03	1	Support-Hood	22	92-3911	2	Screw-HSBH

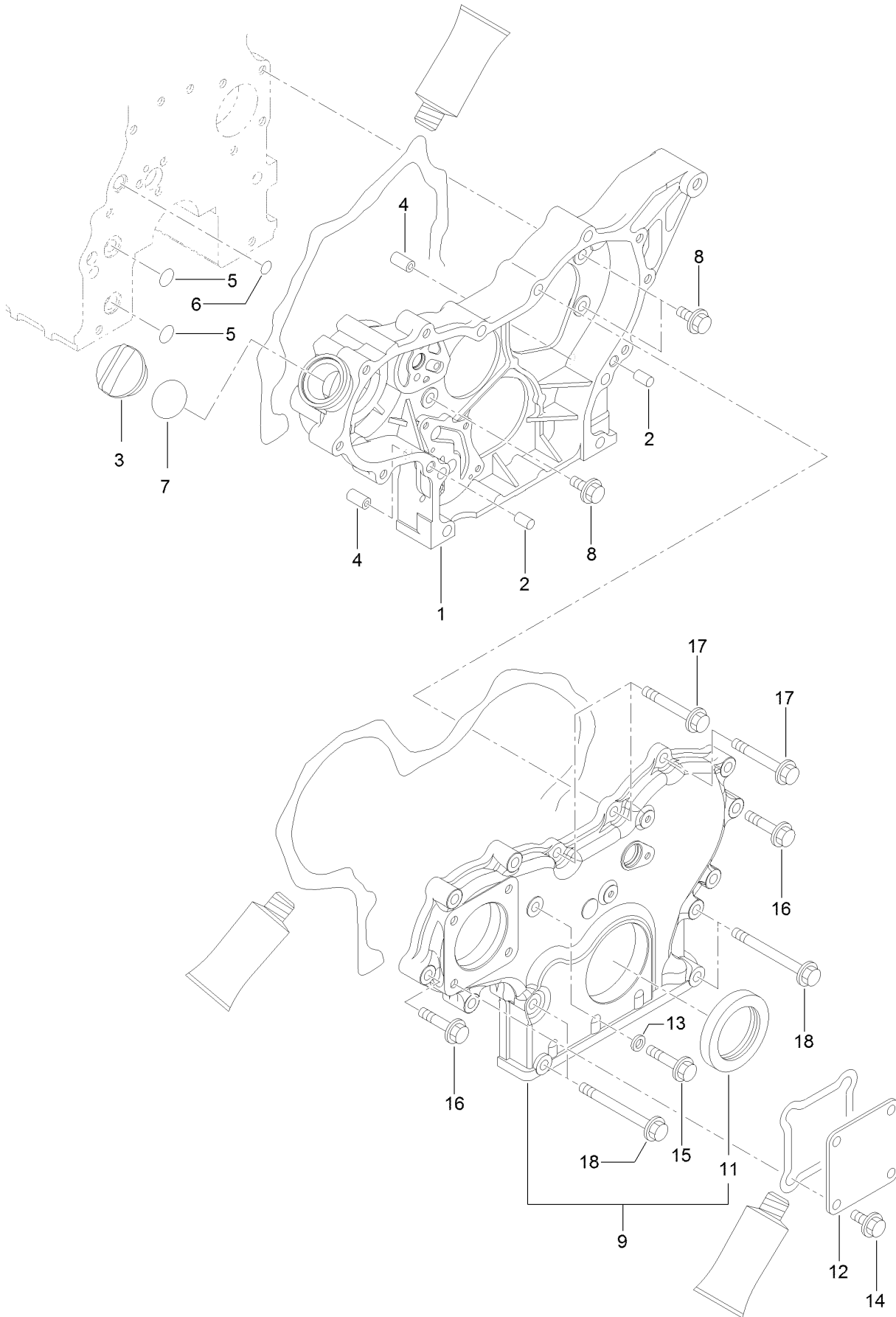
# Cylinder Block Assembly



## Cylinder Block Assembly (continued)

<i>Ref.</i>	<i>Part Number</i>	<i>Qty.</i>	<i>Description</i>	<i>Ref.</i>	<i>Part Number</i>	<i>Qty.</i>	<i>Description</i>
1	127-4717	1	Cylinder Block ASM	13	125-6973	1	Plug
4	125-6980	1	Plug	14	125-7237	1	Plug
5	125-7170	1	Plug	24	125-7010	2	Metal-Thrust
6	125-7007	8	Bolt	27	125-7006	14	Bolt
9	125-7108	1	Bushing	28	127-4716	1	Head Gasket ASM
10	125-7239	6	Plug	29	125-6981	4	Metal-Main
11	125-6969	1	Plug	32	125-7009	4	Metal-Main (0.25)
12	125-6973	2	Plug	35	125-7011	1	Metal-Thrust (0.25)

# Gear Housing Assembly

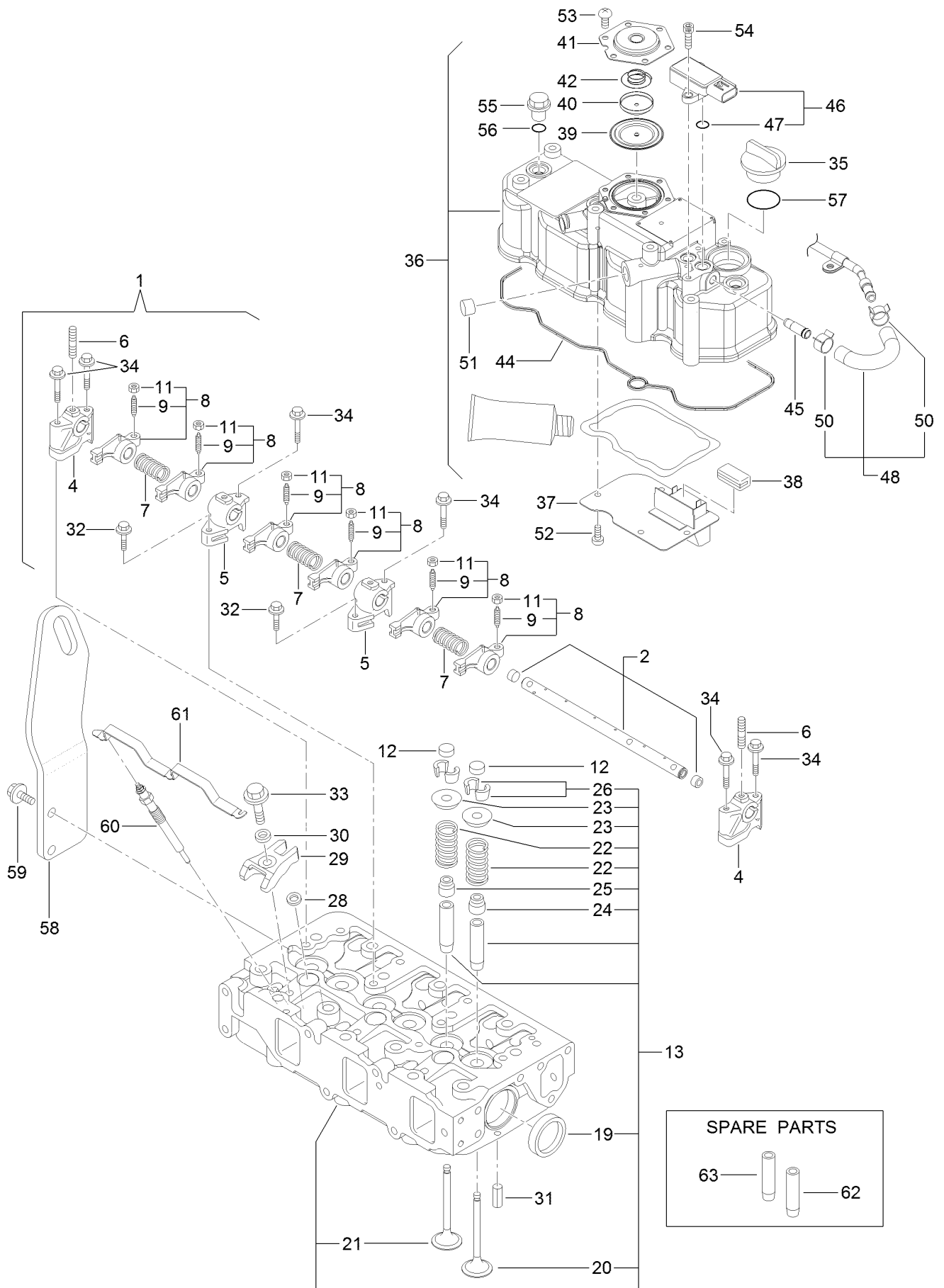




## Gear Housing Assembly (continued)

<i>Ref.</i>	<i>Part Number</i>	<i>Qty.</i>	<i>Description</i>	<i>Ref.</i>	<i>Part Number</i>	<i>Qty.</i>	<i>Description</i>
1	127-3023	1	Case-Gear	11	125-6944	1	Seal-Oil
2	125-6995	2	Pin	12	125-6977	1	Cover
3	125-6972	1	Cover	13	125-7174	1	Washer-Seal
4	125-7107	2	Pipe	14	100-6928	4	Bolt
5	125-6909	2	O-Ring	15	125-7217	1	Bolt
6	127-2973	1	O-Ring	16	125-7218	7	Bolt
7	125-7197	1	O-Ring	17	125-7222	3	Bolt
8	100-6928	3	Bolt	18	125-7224	4	Bolt
9	127-3024	1	Gearcase Cover ASM				

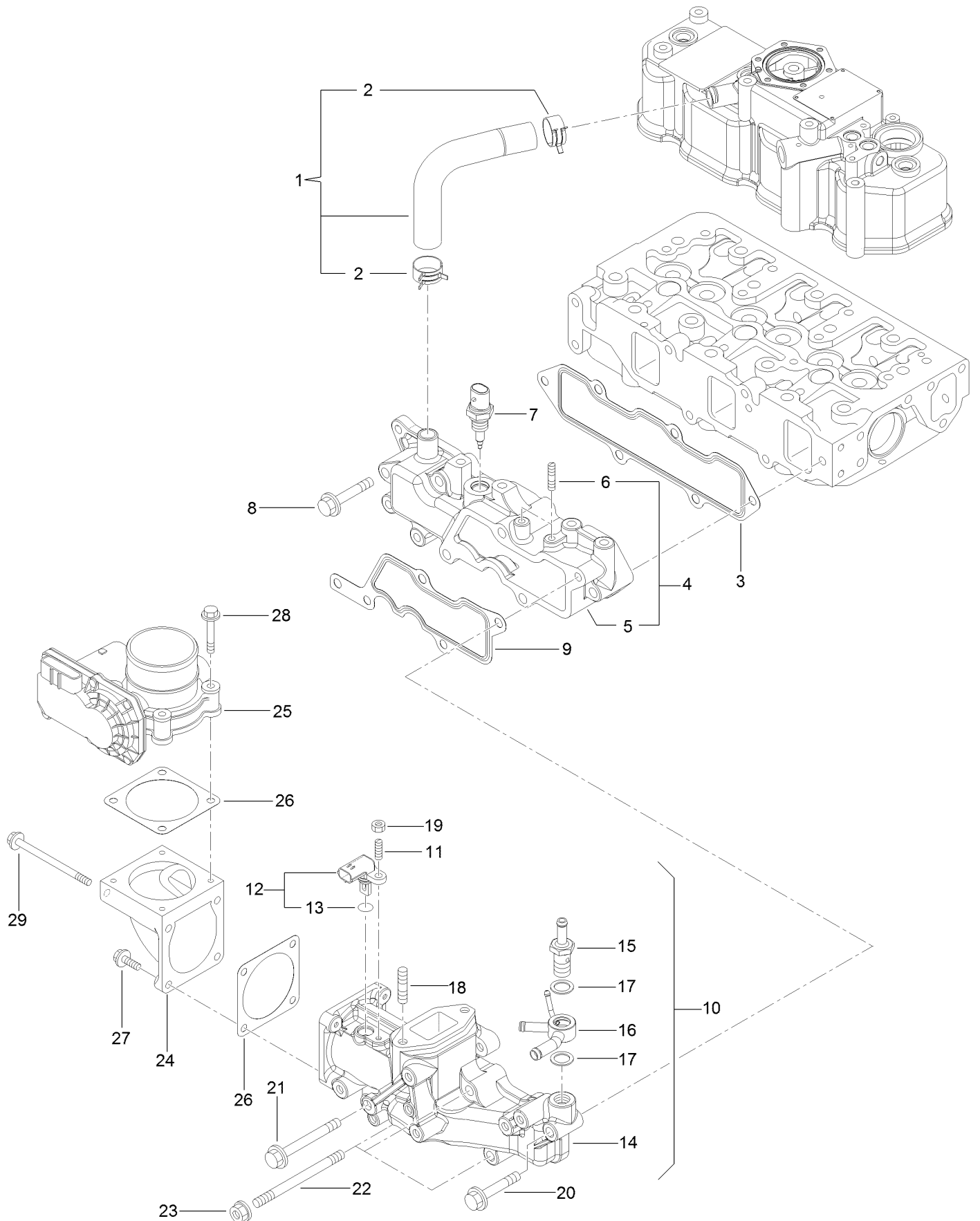
# Cylinder Head and Cover Assembly



## Cylinder Head and Cover Assembly (continued)

<i>Ref.</i>	<i>Part Number</i>	<i>Qty.</i>	<i>Description</i>	<i>Ref.</i>	<i>Part Number</i>	<i>Qty.</i>	<i>Description</i>
1	127-3757	1	Shaft ASM	36	127-4719	1	Cylinder Head Cover ASM
2	127-3758	1	Shaft	37	127-2988	1	Plate
4	127-2974	2	Support	38	125-7012	1	Baffle
5	127-2975	2	Support	39	125-6959	1	Diaphragm
6	127-3759	3	Stud	40	125-6960	1	Plate
7	127-2995	3	Spring	41	125-6961	1	Plate
8	127-2989	6	Arm-Rocker	42	125-6962	1	Spring
9	125-7013	6	Screw	44	127-3856	1	Gasket-Head, Cylinder
11	125-7014	6	Nut	45	127-3026	1	Joint
12	127-2996	6	Cap	46	127-3029	1	Sensor-Pressure
13	127-4720	1	Cylinder Head ASM	47	127-3032	2	O-Ring
19	125-7240	2	Plug	48	127-3040	1	Hose ASM
20	127-2990	3	Valve	50	127-3041	2	Clip-Hose
21	127-4710	3	Valve	51	125-6913	1	Plug
22	127-3012	6	Spring	52	125-7186	4	Screw
23	127-3013	6	Retainer	53	125-7186	6	Screw
24	127-2986	3	Seal-Stem, Valve	54	127-3184	2	Bolt
25	127-3027	3	Seal-Stem, Valve	55	125-6974	3	Knob
26	127-3186	6	Pin-Cotter	56	93-0418	3	O-Ring
28	127-3021	3	Gasket-Injector	57	125-7197	1	O-Ring
29	127-3028	3	Retainer-Injector	58	127-4718	1	Lifter-Engine
30	127-2980	3	Washer	59	100-6928	2	Bolt
31	125-7184	2	Pin-Spring	60	127-2991	3	Plug
32	125-7215	2	Bolt	61	127-3768	1	Connector-Plug, Glow
33	125-7217	3	Bolt	62	127-2979	3	Guide
34	125-7220	6	Bolt	63	127-2997	3	Guide
35	125-6972	1	Cover				

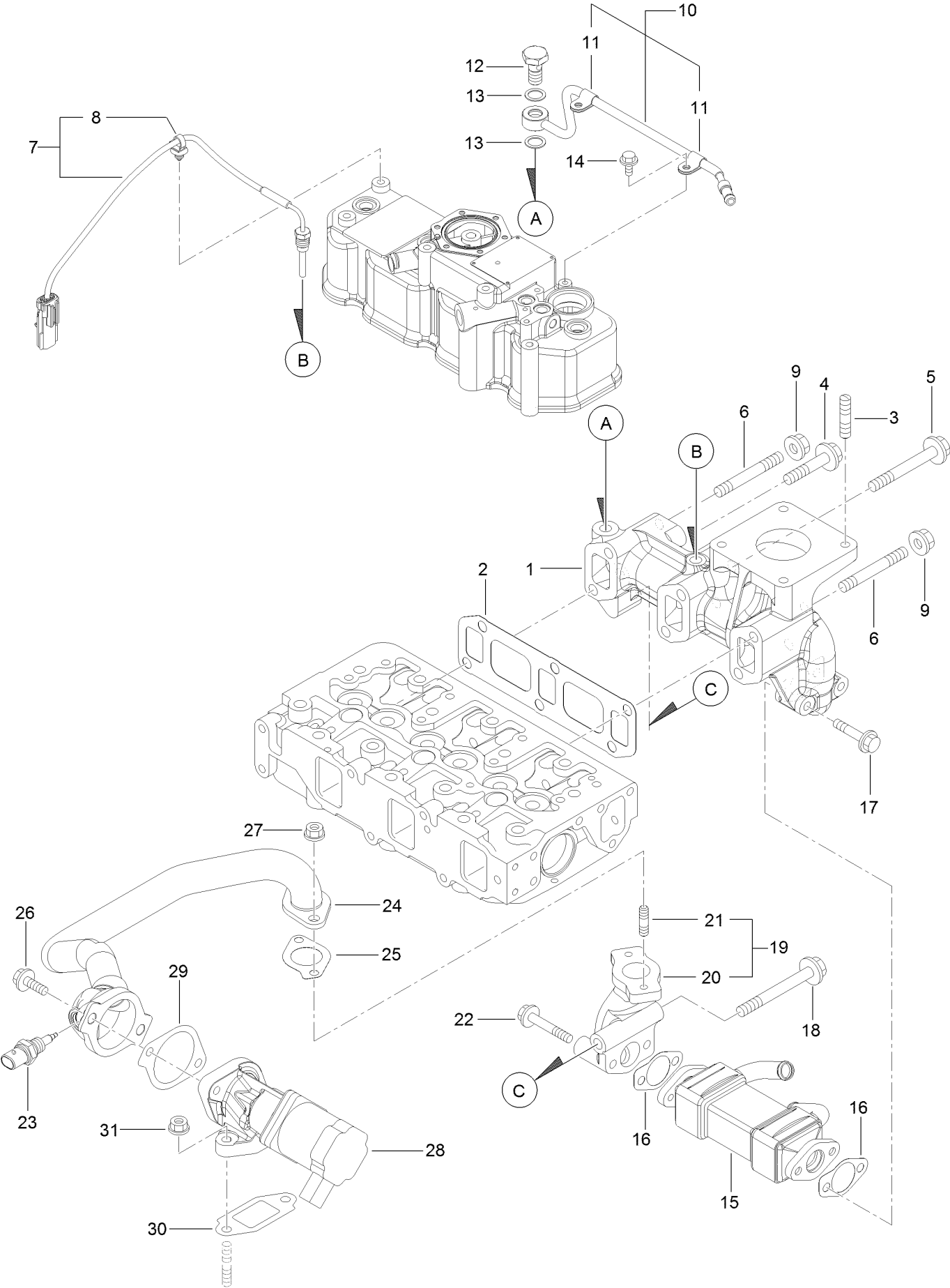
# Suction Manifold Assembly



## Suction Manifold Assembly (continued)

<i>Ref.</i>	<i>Part Number</i>	<i>Qty.</i>	<i>Description</i>	<i>Ref.</i>	<i>Part Number</i>	<i>Qty.</i>	<i>Description</i>
1	127-4704	1	Pipe	16	127-3081	1	Joint-Hose
2	125-7040	2	Clip	17	127-3166	2	Washer-Seal
3	127-3857	1	Gasket-Manifold, Intake	18	127-4774	2	Stud
4	127-4722	1	Intake Manifold ASM	19	127-4775	1	Nut
5	127-4721	1	Manifold-Intake	20	125-7220	1	Bolt
6	127-3180	2	Stud	21	127-3178	1	Bolt
7	127-3031	1	Sensor-Temp, Air	22	127-3182	3	Stud
8	125-7220	3	Bolt	23	125-7229	3	Nut
9	127-3034	1	Gasket-Collector	24	127-3035	1	Bend-Inlet
10	127-4725	1	Intake Collector ASM	25	127-3036	1	Body-Throttle
11	127-4701	1	Stud	26	127-3037	2	Gasket-Throttle
12	127-3030	1	Sensor-Temp, Air	27	125-7209	2	Bolt
13	127-3033	1	O-Ring	28	125-7211	4	Bolt
14	127-4724	1	Collector-Intake	29	127-3177	2	Bolt
15	127-3080	1	Joint-Hose				

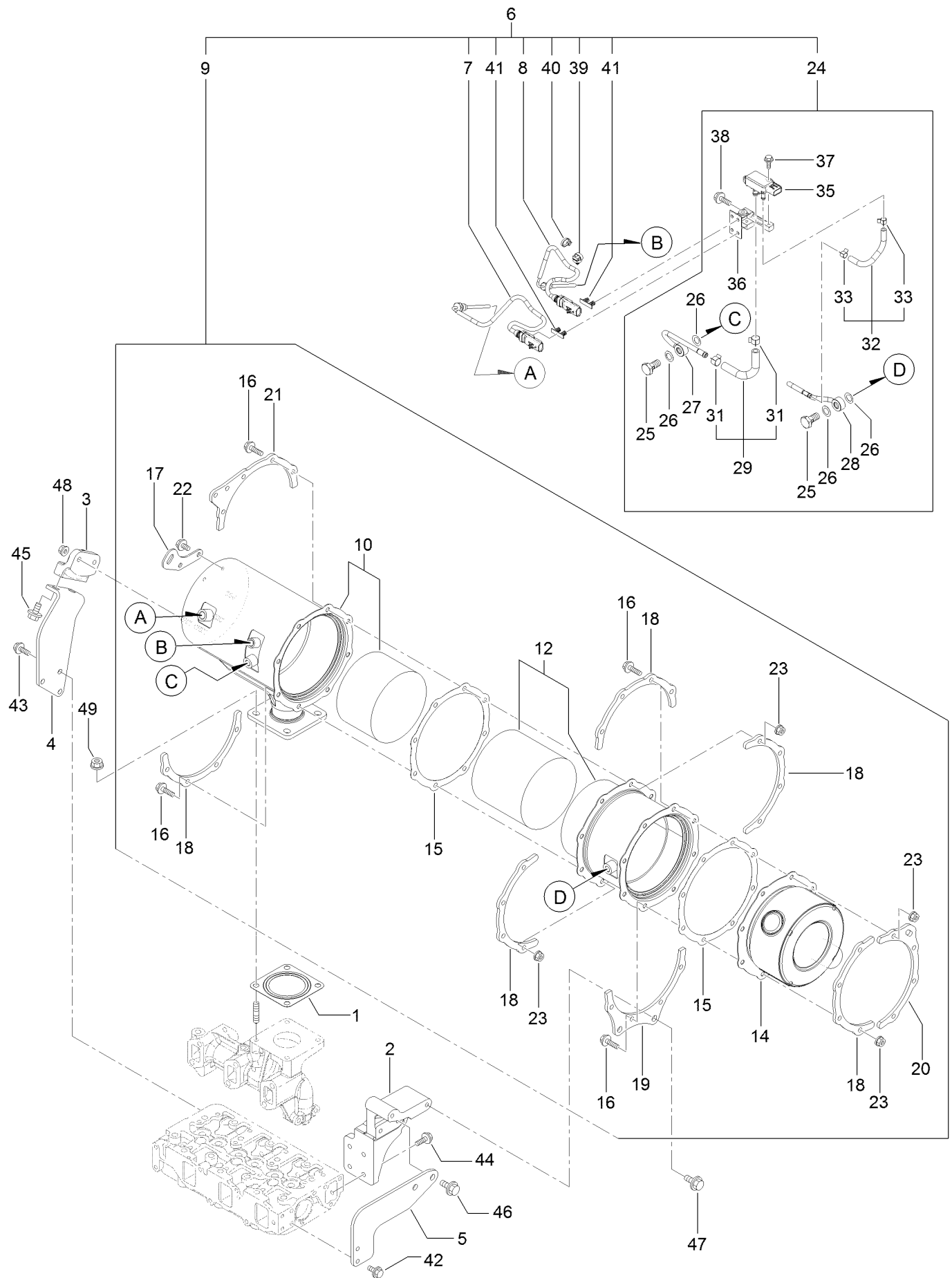
# Exhaust Manifold Assembly



## Exhaust Manifold Assembly (continued)

<i>Ref.</i>	<i>Part Number</i>	<i>Qty.</i>	<i>Description</i>	<i>Ref.</i>	<i>Part Number</i>	<i>Qty.</i>	<i>Description</i>
1	127-4726	1	Manifold-Exhaust	17	127-2976	2	Bolt
2	127-3775	1	Gasket-Manifold, Exhaust	18	127-3022	1	Bolt-Flange
3	127-2984	4	Stud	19	127-3048	1	E G R Pipe ASM
4	127-3094	1	Bolt	20	127-3049	1	Pipe-Out, E G R
5	127-3044	3	Bolt-M10	21	125-7043	2	Stud
6	127-4756	2	Stud	22	125-7220	2	Bolt
7	127-4729	1	Sensor-Temp, Exhaust	23	127-3047	1	Sensor-Gas Temp, E G R
8	127-3087	1	Band-Clip	24	127-3780	1	E G R Pipe ASM
9	125-7230	2	Nut	25	127-3016	1	Gasket
10	127-3038	1	Exhaust Pipe ASM	26	125-7215	2	Bolt
11	127-3173	2	Clamp	27	125-7229	2	Nut
12	127-3039	1	Bolt-Joint, Pipe	28	127-3781	1	Valve-E G R
13	127-3174	2	Gasket	29	127-3050	1	Gasket-Intake Valve, E G R
14	125-7206	2	Bolt	30	127-3051	1	Gasket-Out Valve, E G R
15	127-3042	1	Cooler-E G R	31	125-7229	2	Nut
16	127-3043	2	Gasket-Cooler, E G R				

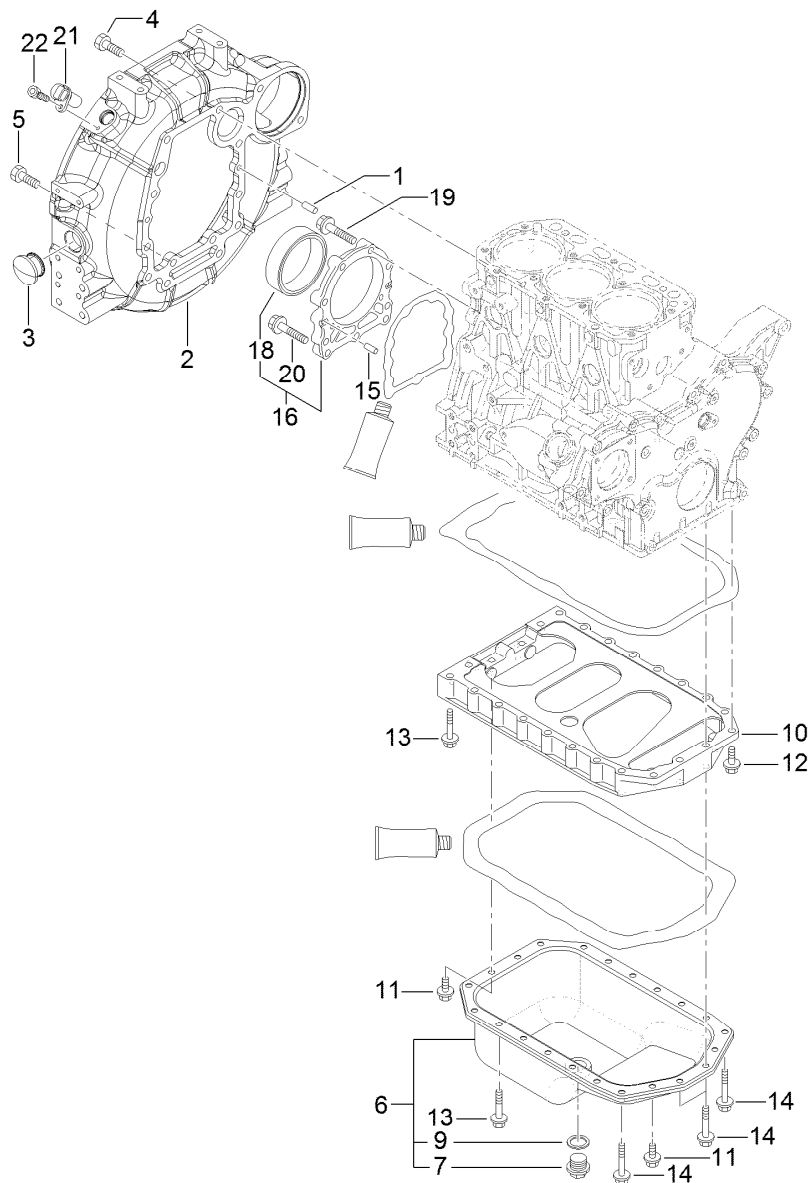
# Diesel Particulate Filter Assembly





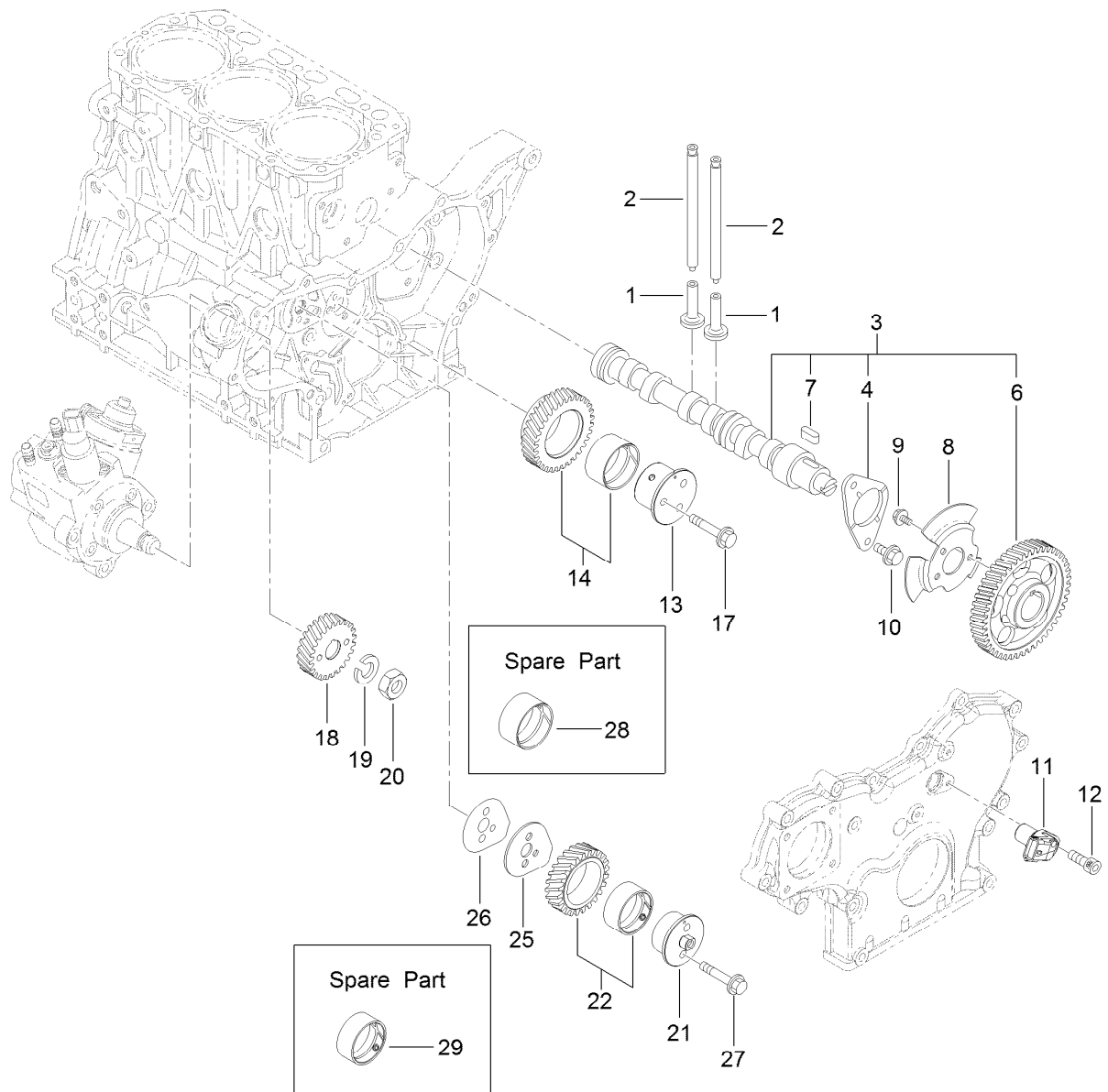
## Diesel Particulate Filter Assembly (continued)

<i>Ref.</i>	<i>Part Number</i>	<i>Qty.</i>	<i>Description</i>	<i>Ref.</i>	<i>Part Number</i>	<i>Qty.</i>	<i>Description</i>
1	127-2987	1	Gasket	26	127-3056	4	Gasket-Sensor
2	127-4738	1	Stay-D P F	27	127-4744	1	Sensor Pipe ASM
3	127-4739	1	Stay-D P F	28	127-4745	1	Sensor Pipe ASM
4	127-4740	1	Stay-D P F	29	127-4747	1	Exhaust Hose ASM
5	127-4741	1	Stay-D P F	31	127-3057	2	Clip-Hose
6	127-4760	1	D P F Unit	32	127-4748	1	Exhaust Hose ASM
7	127-4764	1	Sensor-Temp, Exhaust	33	127-3058	2	Clip-Hose
8	127-4765	1	Sensor-Temp, Exhaust	35	127-3060	1	Sensor-Pressure
9	127-4759	1	D P F ASM	36	127-4750	1	Bracket-Sensor
10	127-4732	1	Case-D O C	37	125-7208	2	Bolt
12	127-4734	1	Case-Filter, Soot	38	125-7595	2	Bolt
14	127-3786	1	Silencer-D P F	39	127-3087	1	Band-Clip
15	127-3859	2	Gasket-D P F	40	127-3124	1	Band
16	127-3055	16	Bolt	41	127-3088	2	Clip-Connector
17	127-3788	1	Lifter-D P F	42	100-6928	2	Bolt
18	127-3789	5	Stiffener-D P F, A	43	100-6928	3	Bolt
19	127-4735	1	Stiffener-D P F, B	44	125-7594	4	Bolt
20	127-3792	1	Stiffener-D P F, C	45	127-4773	2	Bolt
21	127-4736	1	Stiffener-D P F, C	46	127-4773	2	Bolt
22	125-7213	2	Bolt	47	127-4773	2	Bolt
23	125-7229	16	Nut	48	125-7229	2	Nut
24	127-4743	1	Pressure Sensor Unit	49	125-7230	4	Nut
25	127-3039	2	Bolt-Joint, Pipe				



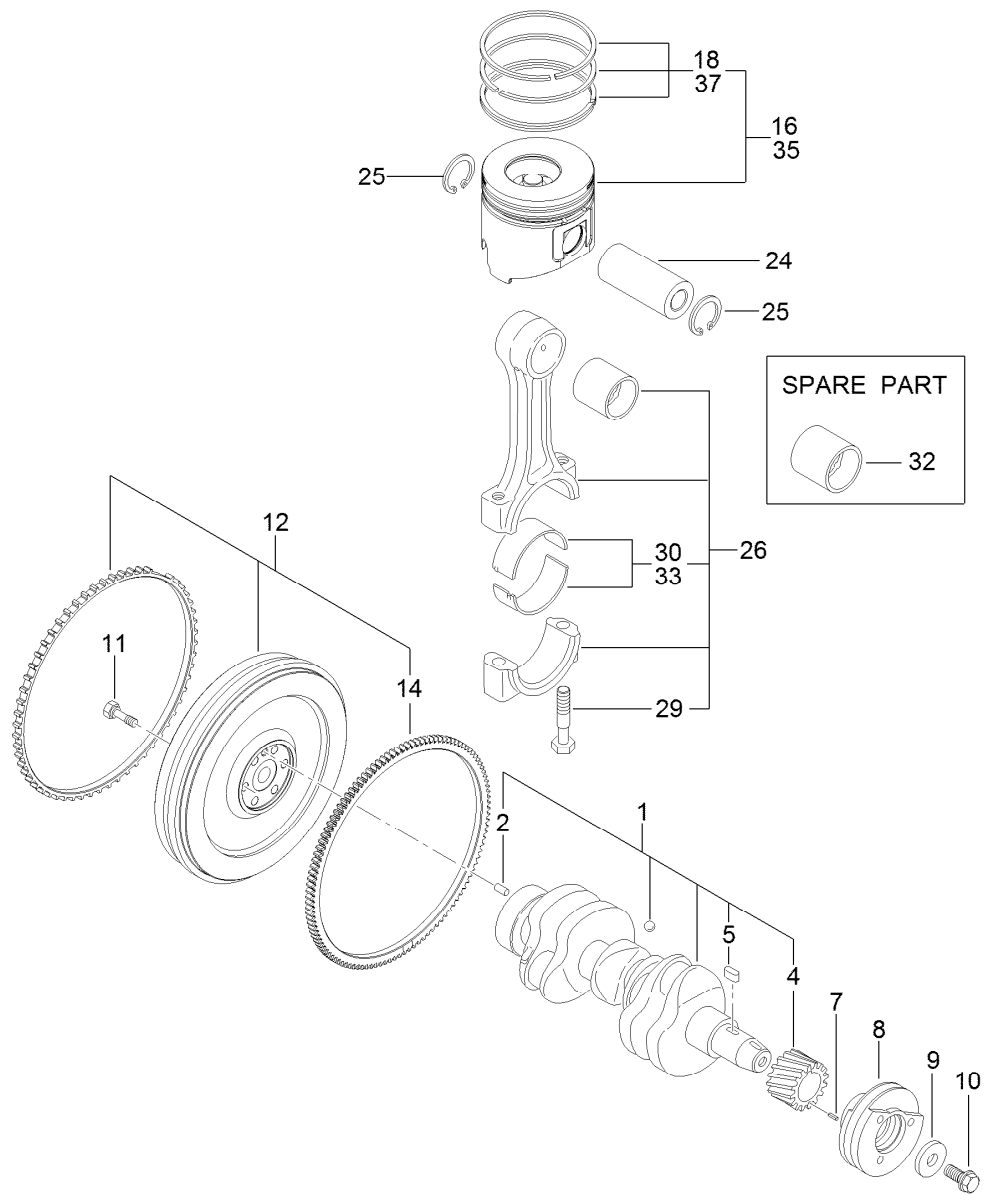
## Flywheel Housing and Oil Sump Assembly

<i>Ref.</i>	<i>Part Number</i>	<i>Qty.</i>	<i>Description</i>	<i>Ref.</i>	<i>Part Number</i>	<i>Qty.</i>	<i>Description</i>
1	125-6995	2	Pin	12	125-7215	2	Bolt
2	127-4758	1	Housing-Flywheel	13	125-7219	16	Bolt
3	125-6910	1	Cap	14	125-7220	4	Bolt
4	125-7226	6	Bolt	15	125-6995	2	Pin
5	125-7227	4	Bolt	16	125-6996	1	Case ASM
6	127-4711	1	Oil Pan ASM	18	125-7106	1	Seal-Oil
7	125-6912	1	Plug	19	125-7045	6	Bolt
9	125-7177	1	Washer-Seal	20	125-7217	3	Bolt
10	127-3756	1	Spacer	21	127-3062	1	Sensor-Flywheel
11	100-6928	4	Bolt	22	127-3184	1	Bolt



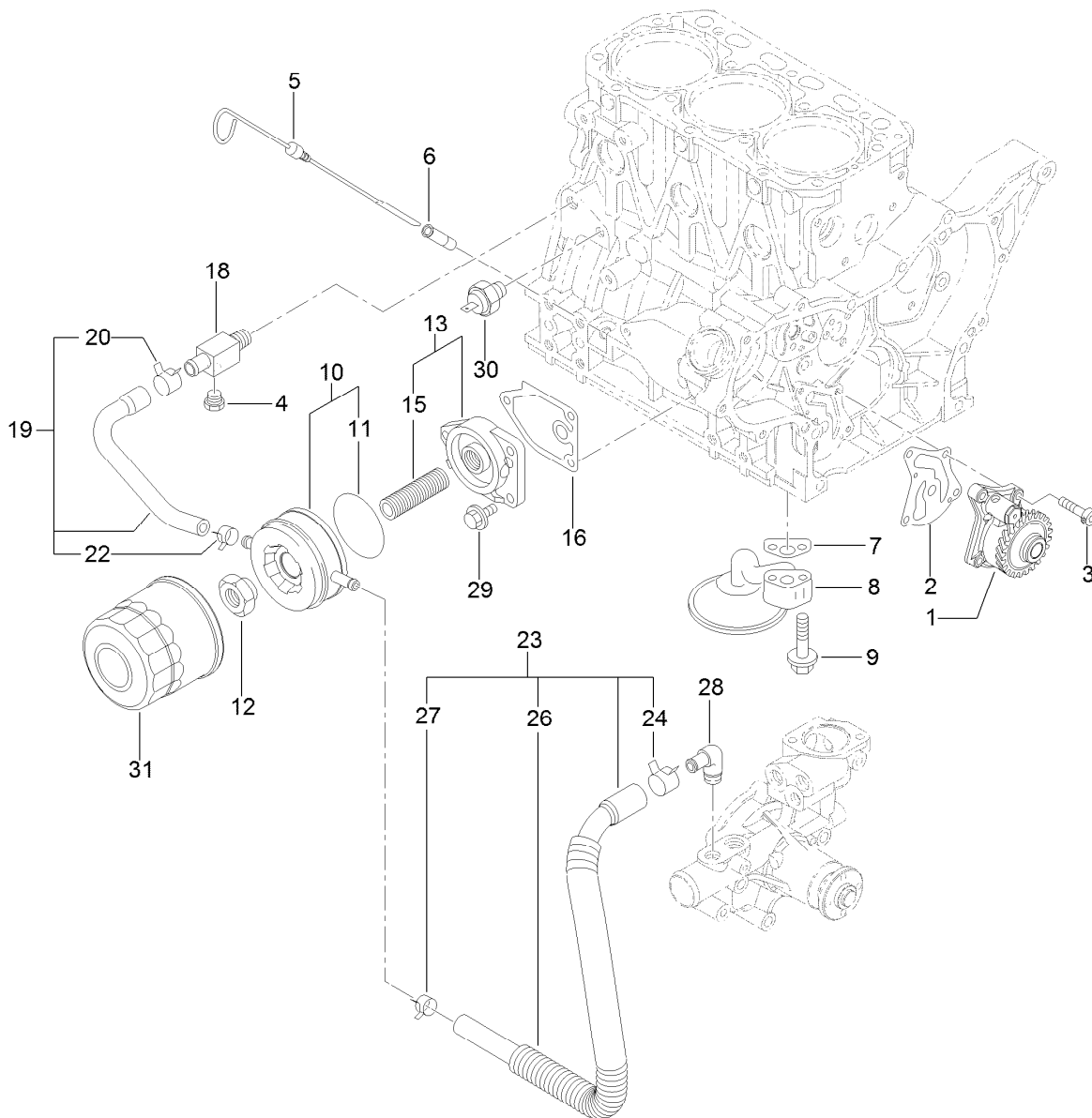
## Camshaft and Driving Gear Assembly

Ref.	Part Number	Qty.	Description	Ref.	Part Number	Qty.	Description
1	125-7016	6	Tappet	14	127-3066	1	Idle Gear A ASM
2	125-7017	6	Rod-Push	17	125-7219	3	Bolt
3	127-3797	1	Camshaft ASM	18	127-3070	1	Gear-Pump, Supply
4	125-7008	1	Metal-Thrust	19	127-3167	1	Washer-Spring
6	127-3052	1	Gear-Camshaft	20	127-3185	1	Nut
7	125-7185	1	Key	21	127-3064	1	Shaft-Idle, Gear B
8	127-3053	1	Pulser-Camshaft	22	127-3067	1	Idle Gear B ASM
9	125-7205	3	Bolt	25	127-3068	1	Plate-Idle, Shaft
10	125-7213	2	Bolt	26	127-3069	1	Gasket-Idle, Shaft B
11	127-3054	1	Sensor-Rev, Gear	27	125-7218	2	Bolt
12	127-3184	1	Bolt	28	125-6927	1	Bushing
13	127-3063	1	Shaft-Idle, Gear A	29	127-3065	1	Bushing



## Crankshaft and Piston Assembly

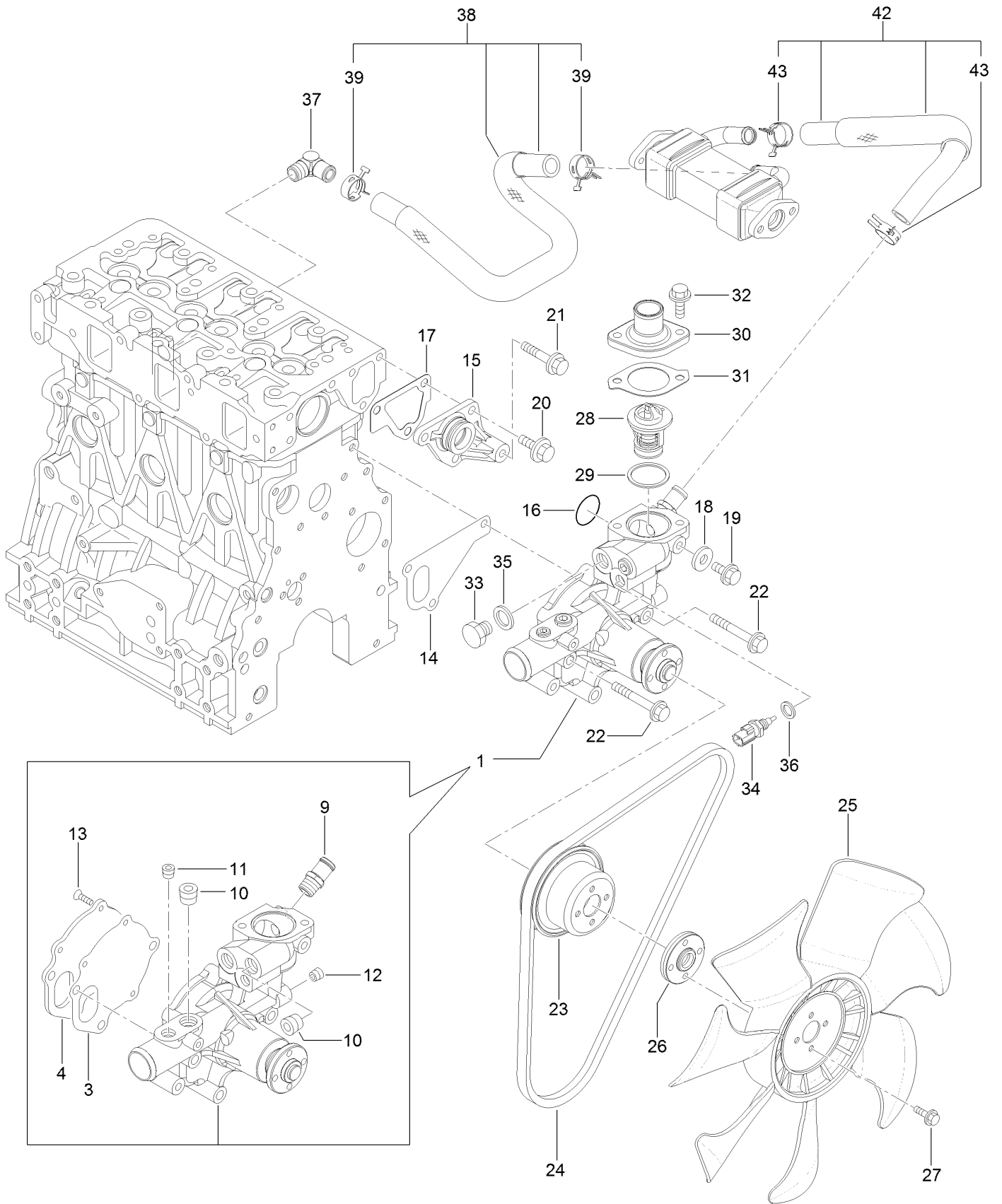
<i>Ref.</i>	<i>Part Number</i>	<i>Qty.</i>	<i>Description</i>	<i>Ref.</i>	<i>Part Number</i>	<i>Qty.</i>	<i>Description</i>
1	127-3800	1	Crankshaft ASM	16	127-4766	3	Piston ASM
2	125-6995	1	Pin	18	127-4751	3	Piston Ring ASM
4	125-6937	1	Gear	24	125-7030	3	Pin
5	125-7185	1	Key	25	125-7180	6	Ring
7	125-7182	1	Pin-Spring	26	125-7242	3	Connecting Rod ASM
8	127-3801	1	Pulley-V	29	125-6955	6	Bolt
9	125-7109	1	Washer	30	125-7018	3	Pin-Crank
10	125-6956	1	Bolt	32	125-6997	3	Pin-Piston
11	125-6951	6	Bolt	33	125-7019	3	Pin-Crank (.25)
12	127-4761	1	Flywheel ASM	35	127-4767	3	Piston ASM (0.25 O S)
14	127-4703	1	Gear	37	127-4752	3	Ring Set (0.25 O S)



## Lubrication and Oil System Assembly

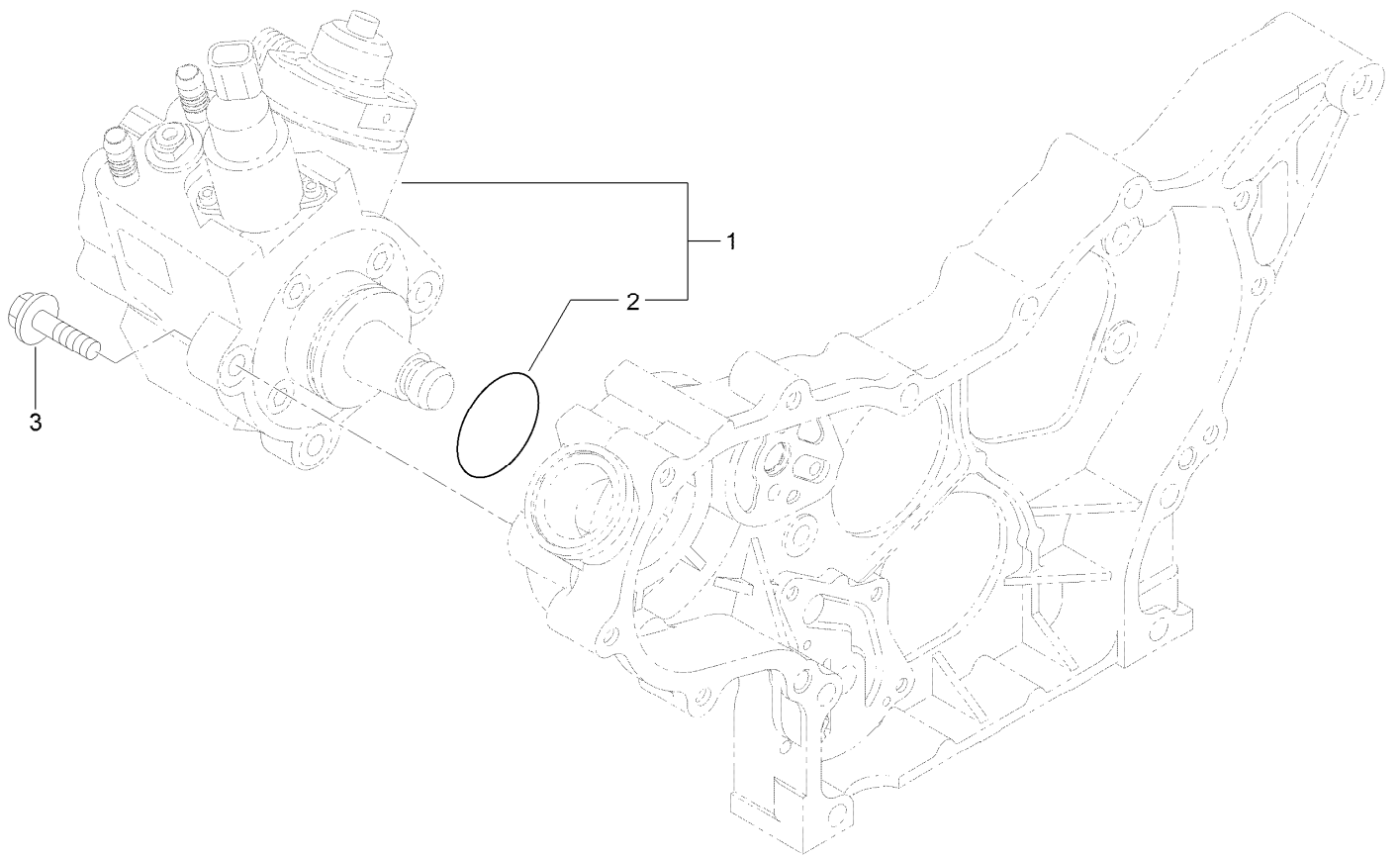
<i>Ref.</i>	<i>Part Number</i>	<i>Qty.</i>	<i>Description</i>	<i>Ref.</i>	<i>Part Number</i>	<i>Qty.</i>	<i>Description</i>
1	127-4753	1	Oil Pump ASM	16	125-7024	1	Gasket
2	127-3004	1	Gasket	18	125-6990	1	Joint
3	125-7232	4	Bolt	19	125-7078	1	Pipe ASM
4	125-7171	1	Plug	20	125-7162	1	Clip
5	125-6987	1	Dipstick	22	125-7191	1	Clamp-Hose
6	125-6954	1	Guide	23	127-3804	1	Pipe ASM
7	125-7022	1	Gasket	24	125-7162	1	Clip
8	127-3803	1	Pipe ASM	26	127-3805	1	Tube
9	125-7217	2	Bolt	27	125-7191	1	Clamp-Hose
10	125-7074	1	Cooler ASM	28	125-7001	1	Elbow
11	125-7075	1	O-Ring	29	125-7595	3	Bolt
12	125-7041	1	Nut-Cooler, Oil	30	125-6918	1	Switch-Oil
13	125-6989	1	Bracket ASM	31	125-7025	1	Filter
15	125-7042	1	Stud				

# Cooling Water System Assembly



## Cooling Water System Assembly (continued)

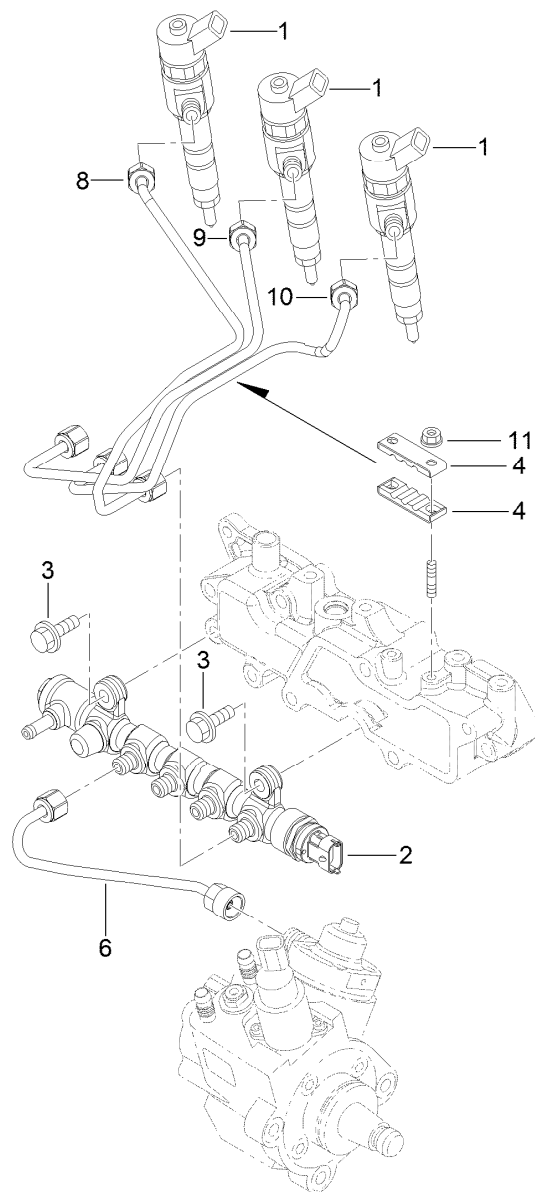
<i>Ref.</i>	<i>Part Number</i>	<i>Qty.</i>	<i>Description</i>	<i>Ref.</i>	<i>Part Number</i>	<i>Qty.</i>	<i>Description</i>
1	127-3071	1	Water Pump ASM	24	127-4771	1	V-Belt
3	125-6998	1	Gasket	25	127-4702	1	Fan
4	125-6999	1	Plate	26	127-3810	1	Spacer
9	127-3017	1	Joint	27	125-7209	4	Bolt
10	125-7123	2	Plug	28	125-7029	1	Thermostat
11	127-3175	1	Plug	29	125-7026	1	Gasket
12	125-7195	1	Plug	30	125-7034	1	Cover
13	125-7234	3	Screw	31	125-7110	1	Gasket
14	125-7047	1	Gasket	32	125-7594	2	Bolt
15	125-6986	1	Joint	33	125-6953	1	Plug
16	125-7048	1	O-Ring	34	125-7124	1	Sensor
17	125-6978	1	Gasket	35	125-6979	1	Gasket
18	125-7192	1	Gasket	36	125-7176	1	Washer-Seal
19	93-0362	1	Bolt	37	127-4705	1	Elbow
20	100-6928	3	Bolt	38	127-4757	1	E G R-C Pipe ASM
21	125-7219	1	Bolt	39	127-3020	2	Clamp-Hose
22	125-7222	3	Bolt	42	127-3811	1	CW Pipe ASM
23	127-4712	1	V-Pulley	43	127-3020	2	Clamp-Hose



## Fuel System Assembly

<i>Ref.</i>	<i>Part Number</i>	<i>Qty.</i>	<i>Description</i>
1	127-3073	1	Fuel Pump ASM
2	127-3074	1	O Ring-Pump, Fuel
3	125-7216	3	Bolt

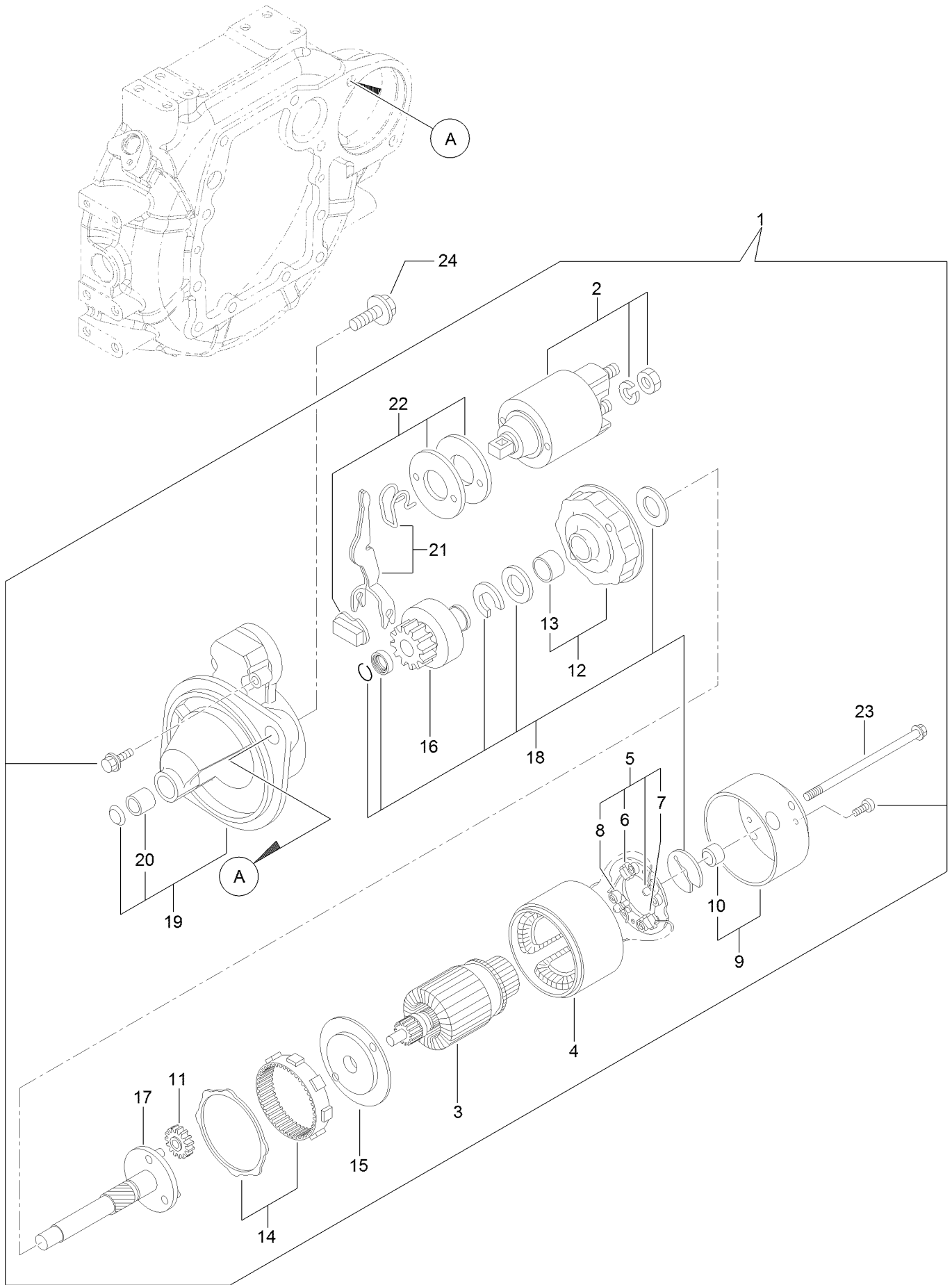




## Fuel Injection Valve Assembly

Ref.	Part Number	Qty.	Description
1	127-4754	3	Injector ASM
2	127-3812	1	Rail ASM
3	125-7215	2	Bolt
4	127-3813	2	Retainer
6	127-3082	1	Rail In Pipe ASM
8	127-3814	1	Injection Pipe ASM
9	127-3083	1	Injection Pipe ASM
10	127-3084	1	Injection Pipe ASM
11	125-7231	2	Nut

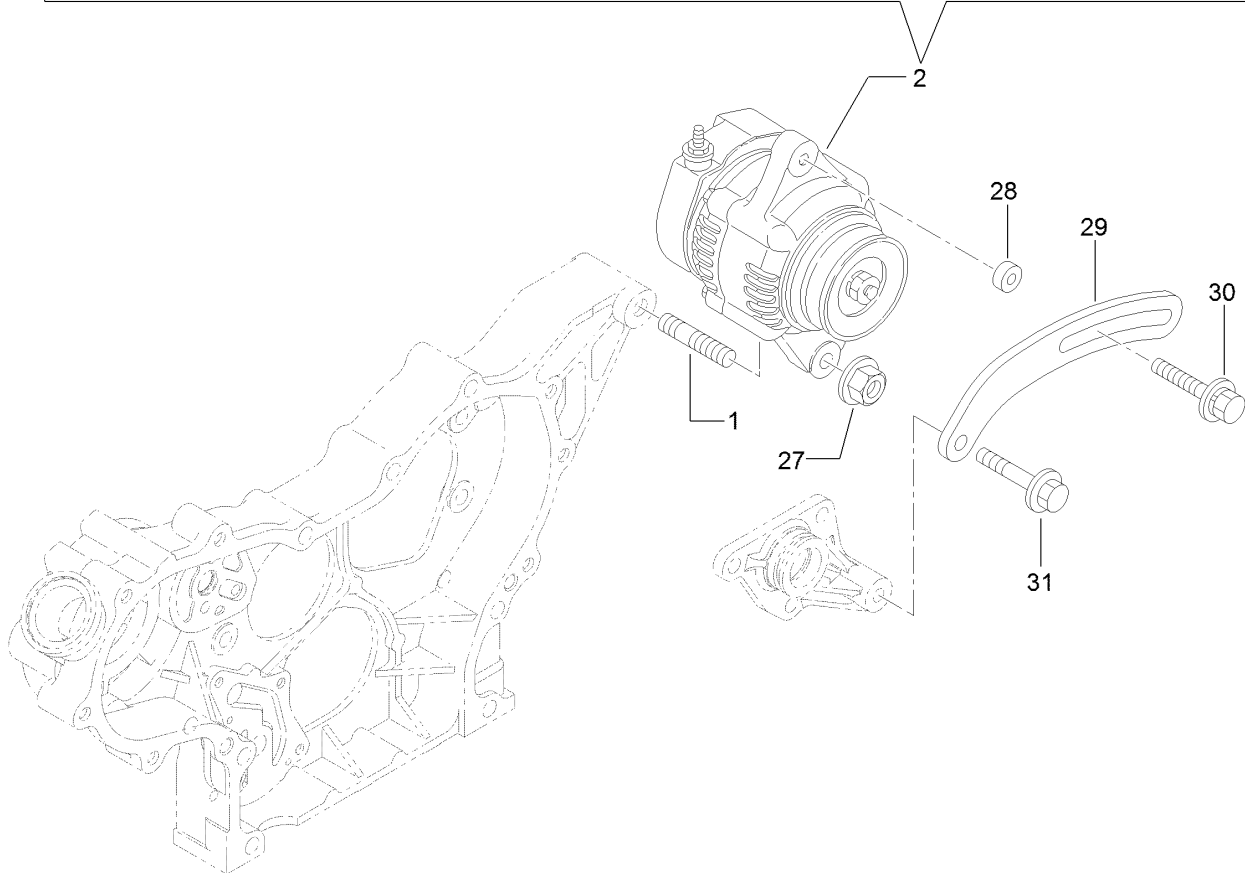
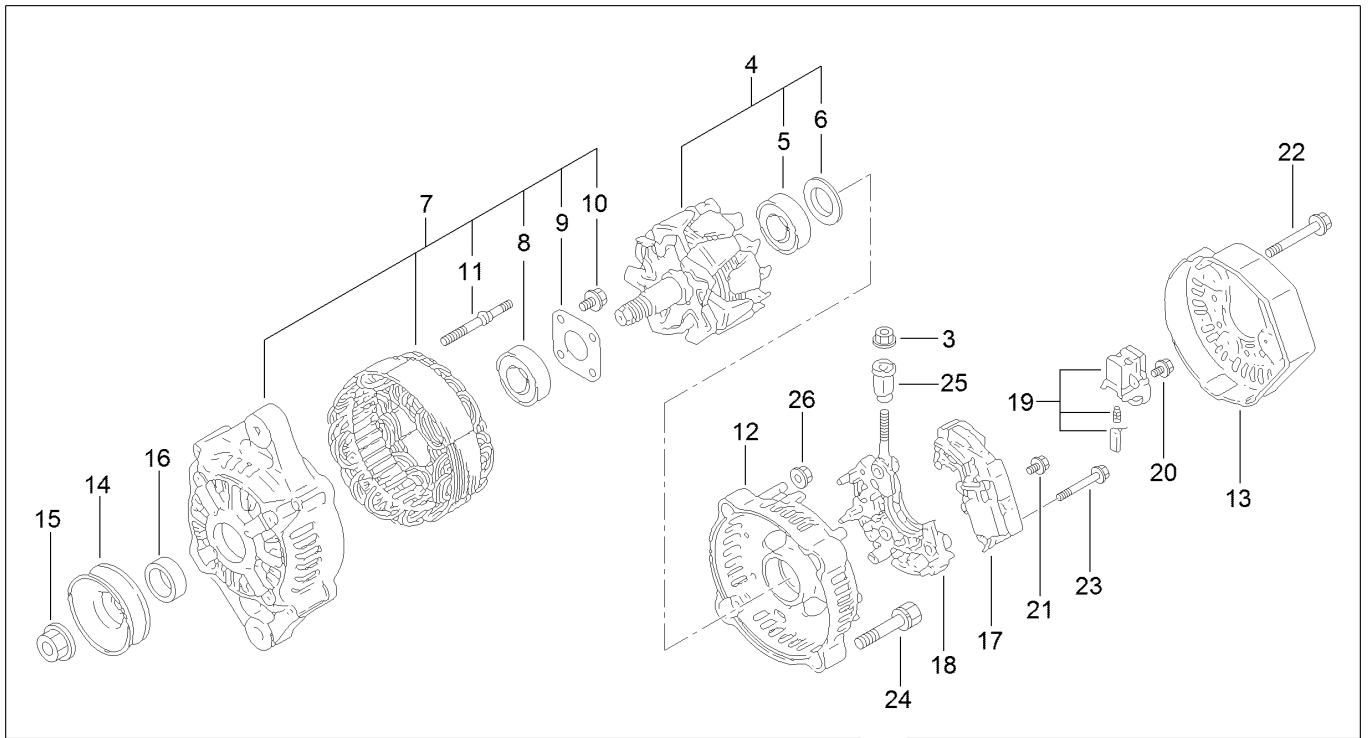
# Starting Motor Assembly



## Starting Motor Assembly (continued)

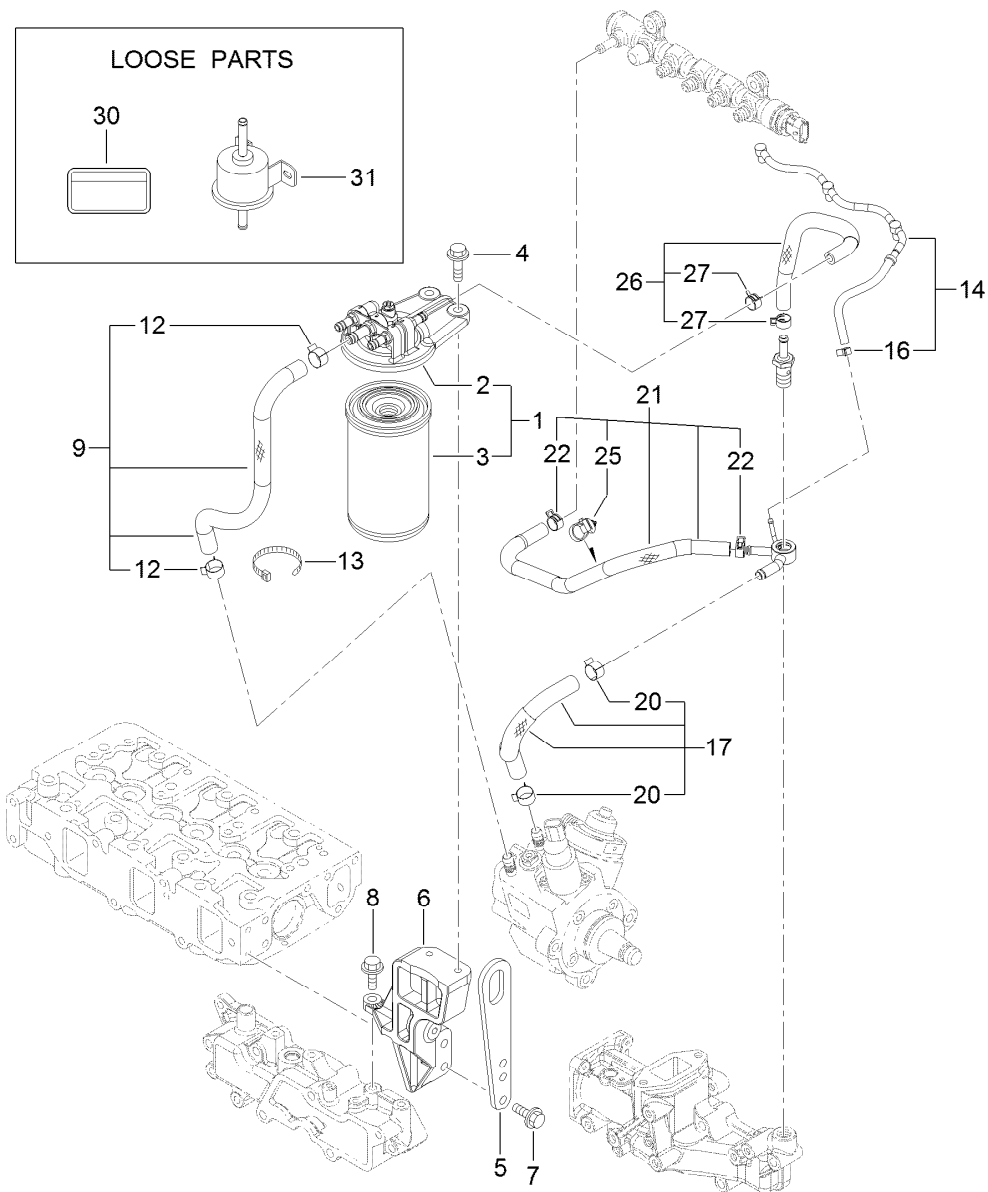
<i>Ref.</i>	<i>Part Number</i>	<i>Qty.</i>	<i>Description</i>	<i>Ref.</i>	<i>Part Number</i>	<i>Qty.</i>	<i>Description</i>
1	127-3818	1	Starter ASM	13	127-3830	1	Bracket
2	127-3819	1	Switch ASM	14	127-3831	1	Gear
3	127-3820	1	Armature ASM	15	127-3832	1	Bracket
4	127-3821	1	Yoke ASM	16	127-3833	1	Pinion ASM
5	127-3822	1	Brush Holder ASM	17	127-3834	1	Shaft
6	127-3823	2	Brush	18	127-3835	1	Washer Set
7	127-3824	1	Brush Set	19	127-3836	1	Case ASM
8	127-3825	4	Spring	20	127-3837	1	Metal-Starter
9	127-3826	1	Cover ASM	21	127-3838	1	Lever Set
10	127-3827	1	Metal	22	127-3839	1	Dust Cover ASM
11	127-3828	3	Gear	23	127-3840	2	Bolt-Through
12	127-3829	1	Bracket	24	125-7225	2	Bolt

# Generator Assembly



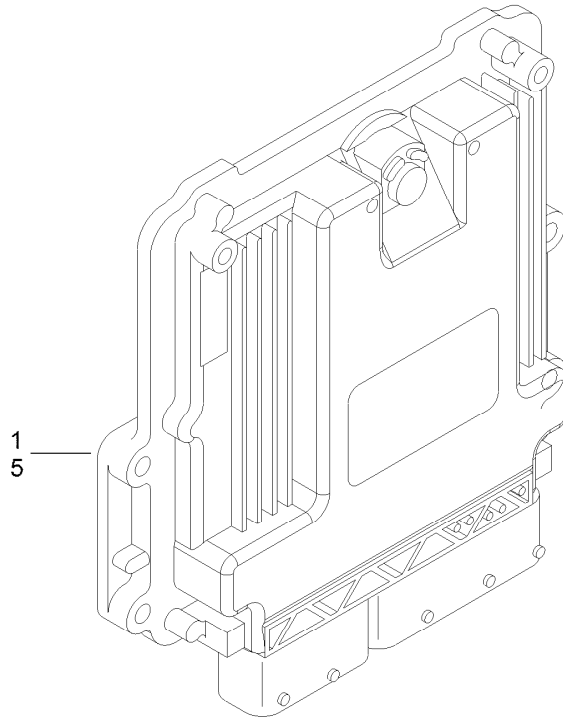
## Generator Assembly (continued)

<i>Ref.</i>	<i>Part Number</i>	<i>Qty.</i>	<i>Description</i>	<i>Ref.</i>	<i>Part Number</i>	<i>Qty.</i>	<i>Description</i>
1	127-3011	1	Stud	17	127-3847	1	Regulator ASM
2	127-3841	1	Generator	18	127-3848	1	Holder
3	127-3190	1	Nut	19	127-2993	1	Holder
4	127-3843	1	Rotor ASM	20	127-2965	6	Screw
5	127-2983	1	Bearing-Ball	21	127-2966	1	Screw
6	127-2962	1	Cover	22	127-2967	3	Bolt
7	127-3844	1	Frame ASM	23	127-2968	2	Screw
8	127-2958	1	Bearing-Ball	24	127-2969	2	Bolt
9	127-2959	1	Plate-Retainer	25	127-2970	1	Bushing-Insulation
10	127-2960	4	Screw	26	127-2971	2	Nut
11	127-2961	2	Stud	27	125-7230	1	Nut
12	127-3845	1	Frame	28	125-6947	1	Spacer
13	127-3846	1	Cover	29	127-2977	1	Adjuster
14	127-2954	1	Pulley	30	125-7134	1	Bolt
15	127-2955	1	Nut	31	125-7219	1	Bolt
16	127-2957	1	Collar				



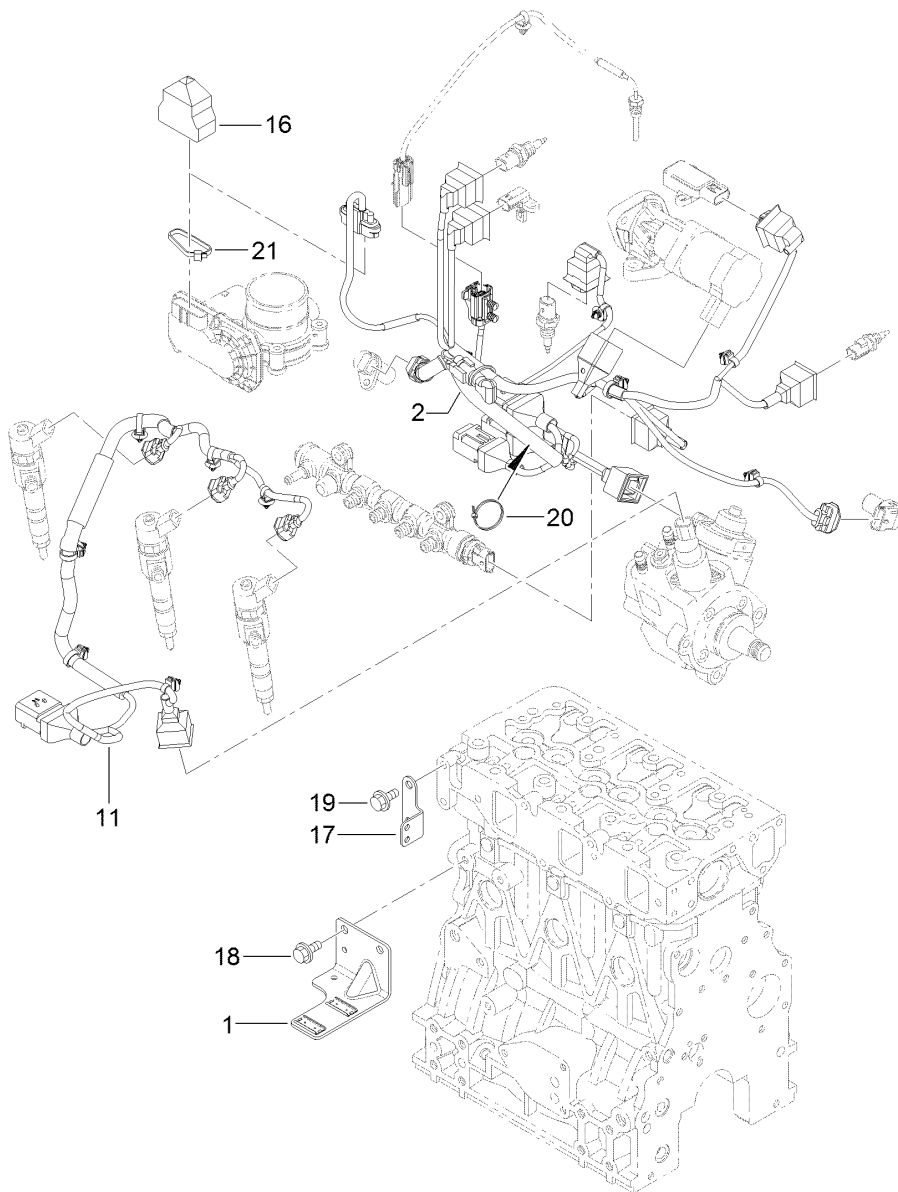
## Fuel Line Assembly

<i>Ref.</i>	<i>Part Number</i>	<i>Qty.</i>	<i>Description</i>	<i>Ref.</i>	<i>Part Number</i>	<i>Qty.</i>	<i>Description</i>
1	127-3075	1	Filter ASM	14	127-3816	1	Fuel/Oil Return Pipe ASM
2	127-3076	1	Bracket ASM	16	127-3172	1	Clamp-Hose
3	125-8752	1	Filter-Fuel	17	127-3078	1	Fuel Pipe ASM
4	125-7216	2	Bolt	20	125-7191	2	Clamp-Hose
5	125-7111	1	Lifter	21	127-3817	1	Fuel Pipe ASM
6	127-3815	1	Filter Bracket ASM	22	127-2950	2	Clip
7	125-7215	2	Bolt	25	127-3087	1	Band-Clip
8	125-7215	1	Bolt	26	127-3079	1	Fuel Pipe ASM
9	127-3077	1	Fuel Pipe ASM	27	127-2950	2	Clip
12	125-7191	2	Clamp-Hose	30	125-6900	1	Label-Caution, Fuel Oil
13	127-2981	1	Band	31	127-3008	1	Pump-Feed, Fuel



## Electronic Control Unit Assembly

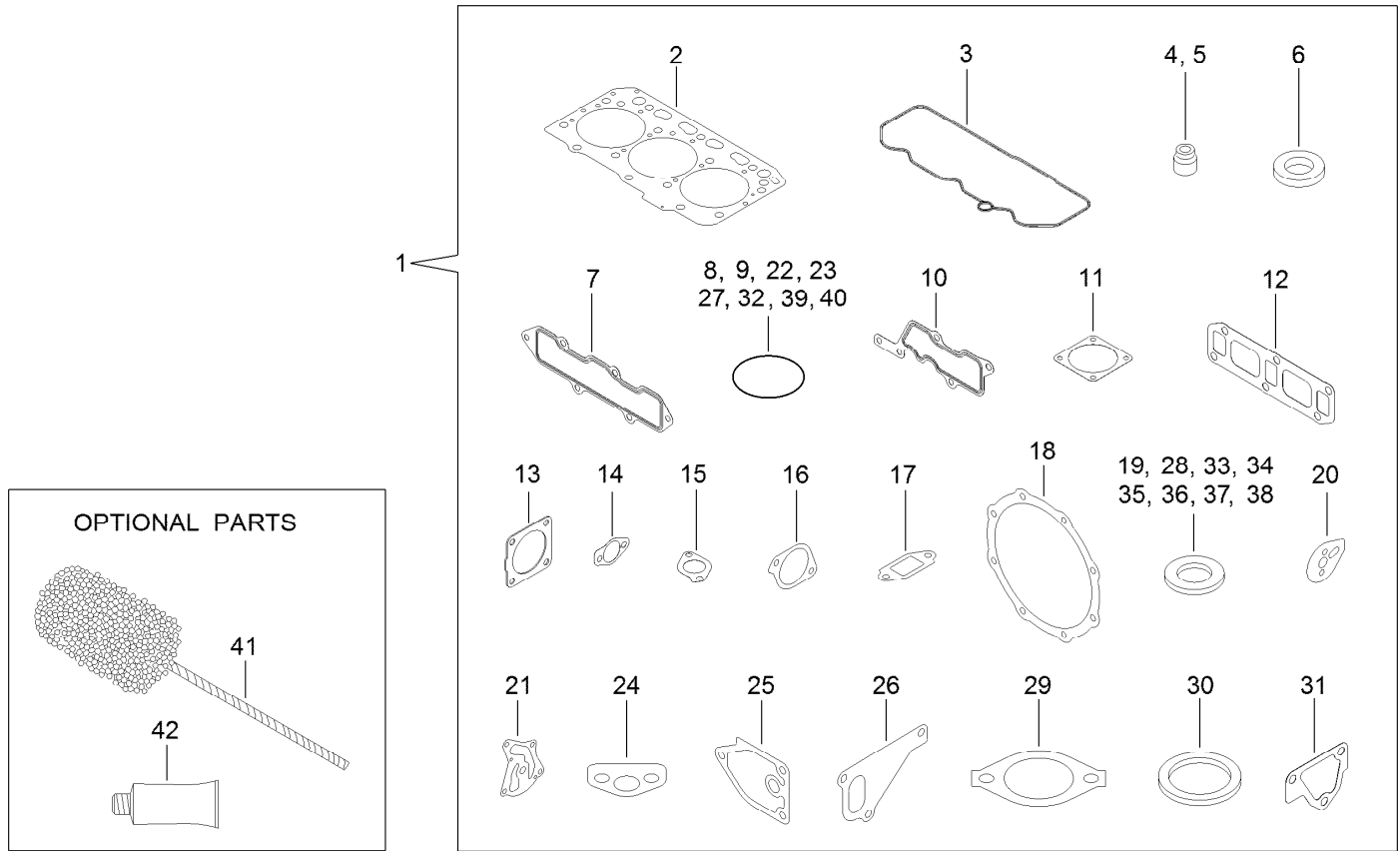
<i>Ref.</i>	<i>Part Number</i>	<i>Qty.</i>	<i>Description</i>
1	127-4763	1	E C U ASM
5	127-3085	1	E C U ASM



## Electric Parts Assembly

Ref.	Part Number	Qty.	Description
1	127-3086	1	Bracket-Connector
2	127-4755	1	Harness
11	127-3851	1	Harness
16	127-3089	1	Boot-Type, Cap
17	127-3090	1	Bracket-Harness
18	93-0362	2	Bolt
19	93-0362	2	Bolt
20	127-3187	1	Band
21	127-3188	1	Band





## Gasket Set

<i>Ref.</i>	<i>Part Number</i>	<i>Qty.</i>	<i>Description</i>	<i>Ref.</i>	<i>Part Number</i>	<i>Qty.</i>	<i>Description</i>
1	127-4776	1	Gasket Kit	22	125-6909	2	O-Ring
2	127-4716	1	Head Gasket ASM	23	127-2973	1	O-Ring
3	127-3856	1	Gasket-Head, Cylinder	24	125-7022	1	Gasket
4	127-2986	3	Seal-Stem, Valve	25	125-7024	1	Gasket
5	127-3027	3	Seal-Stem, Valve	26	125-7047	1	Gasket
6	127-3021	3	Gasket-Injector	27	125-7048	1	O-Ring
7	127-3857	1	Gasket-Manifold, Intake	28	125-6979	1	Gasket
8	127-3032	2	O-Ring	29	125-7110	1	Gasket
9	127-3033	1	O-Ring	30	125-7026	1	Gasket
10	127-3034	1	Gasket-Collector	31	125-6978	1	Gasket
11	127-3037	2	Gasket-Throttle	32	127-3074	1	O Ring-Pump, Fuel
12	127-3775	1	Gasket-Manifold, Exhaust	33	125-7174	1	Washer-Seal
13	127-2987	1	Gasket	34	125-7176	1	Washer-Seal
14	127-3043	2	Gasket-Cooler, E G R	35	127-3166	2	Washer-Seal
15	127-3016	1	Gasket	36	125-7177	1	Washer-Seal
16	127-3050	1	Gasket-Intake Valve, E G R	37	125-7192	1	Gasket
17	127-3051	1	Gasket-Out Valve, E G R	38	127-3174	2	Gasket
18	127-3859	2	Gasket-D P F	39	93-0418	3	O-Ring
19	127-3056	4	Gasket-Sensor	40	125-7197	2	O-Ring
20	127-3069	1	Gasket-Idle, Shaft B	41	127-3000	1	Hone
21	127-3004	1	Gasket	42	125-7248	1	Gasket-Liquid

# Attachments and Accessories

## For 30695 Groundsmaster 7210 Series Traction Unit

<b>Product Name</b>	<b>Model/Part</b>
Auxiliary Hydraulic Power Kit.....	30380
Auxiliary Power Unit.....	30382
Debris Blower.....	30393
Tooth Rake.....	08751
Finish Grader.....	08754
Drag Mat Carrier System.....	08756
Steel Drag Mat.....	08757
Coco Drag Mat.....	08758
42-pound Weight, For Kit 114-4090.....	114-4096
Premium Transmission/Hydraulic Tractor Fluid (55 Gallon Drum).....	108-1183
Premium Transmission/Hydraulic Tractor Fluid (5 Gallon Pail).....	108-1184
Universal Sunshade.....	30349
Premium Engine Oil 15w40 (5 Gallon Pail).....	121-6395
Premium Engine Oil 15w40 (55 Gallon Drum).....	121-6394
Green Diesel Cap.....	107-2172
Yellow Hydraulic Cap.....	107-1576
5in Air Cleaner Safety Element.....	114-4057
Overflow Tank Kit.....	117-5570
Brake Service Kit.....	120-0015
Jack-Stand Kit.....	30483
Fender Kit.....	117-9170
Polar Trac Cab.....	30474
V-Plow Mounting Kit.....	30378
Polar Trac Kit.....	30675
48in V-Plow.....	30750
MVP Filter Kit.....	30261
Gasket-Cover, Housing.....	30810
Hitch Kit, Groundsmaster 7210 Series Traction Unit with Yanmar Engine.....	130-8718
Wheel and Tire ASM (Semi Pneumatic).....	110-6406
Weight Mount Bracket Kit.....	114-4090
Weight Bracket Kit.....	125-2670
Tire-Lug (24 X 12 - 12).....	103-6771
Slow Moving Vehicle Kit.....	114-4050
North American Road Light Kit.....	30374
Recycler Kit, 60in Side Discharge Deck.....	30348
CE Kit, Grass Collection System.....	117-9249
60in Side Discharge Mower.....	30456
Baffle, Blower Housing.....	30658
Blade-Belt Kit.....	105-7270
62in Rear Discharge Completion Kit.....	30463
62in Guardian Recycler Completion Kit.....	30306
62in Rotary Mower.....	30457
62in CE Mower Cover Kit.....	30683
Blade-Belt Kit, 72in Guardian Only.....	105-7271
72in Rear Discharge Completion Kit.....	30466
72in Guardian Recycler Completion Kit.....	30304

## Attachments and Accessories (continued)

72in Guardian Fine Recycler Completion Kit .....	30346
72in Base Deck.....	30353
72in Guardian and Rear Discharge CE Mower Cover Kit .....	30685
Leaf Mulching Kit .....	108-5273
Recycler Kit, 72in Side Discharge Deck.....	30347
Striping Kit .....	105-7273
72in Side Discharge Deck.....	30481
72in Side Discharge Mower (CE).....	30354
CE Kit, 72in Side Deck With French Guards .....	30679
100in Rear Discharge Deck .....	31101
Adapter Kit for 100in Rear Discharge Deck.....	31104
Leaf Mulching Kit for 100in Rear Discharge Deck .....	31105
100in CE Mower Cover Kit.....	30687



**Count on it.**