



Count on it.

Parts Catalog

**LT3340 Heavy-Duty Triple Turf
Mower Traction Unit**

Model No. 30657—Serial No. 315000501 and Up



Ordering Replacement Parts

To order replacement parts, please supply the part number, the quantity, and the description of each part desired.

Understanding Reference Numbers

Each identified part in an illustration has a reference number. The reference number for a part also appears in the parts list, along with other information about the part.

This catalog uses two special reference number formats, one to indicate parts in a service assembly and another to indicate the quantity of a given part in an illustration.

Service Assembly Reference Numbers

Parts in service assemblies have reference numbers in the form a:b. The a represents the reference number of the entire service assembly and the b represents a sequential number unique to each part within the service assembly.

For example, a wheel assembly might be identified by reference number 6, the tire by 6:1, the valve by 6:2, and the wheel by 6:3. When you order the assembly identified by reference number 6, you receive all parts identified by reference numbers 6:1, 6:2, and 6:3. However, you may also order any part individually. Reference numbers of this type appear in illustration and in parts lists.

Reference Numbers Indicating Quantity

In an illustration, if a reference number indicates more than one part, the reference number has the form nX y. The n represents the quantity of the part, the X is the multiplication symbol, and the y represents the reference number.

For example, in an illustration, the reference number 2X 37 means that two of the parts identified by reference number 37 are indicated.

List of Abbreviations

AR: as required

ASM: assembly

BBC: blade brake control

BHTF: button head thread forming

CARR: carriage

CCW: counter clockwise

CW: clockwise

DEG: degrees

DPA: Dual Point Adjustment

ECM: electronic control module

EXT: external

FH: flat head

GA: gauge

HD: heavy-duty

HF: hex flange

HH: hex head

HHF: hex head flange

HHFTF: hex head flange thread forming

HJ: hex jam

HLH: hex lag head

HOC: height-of-cut

HP: high pressure

HSBH: hex socket button head

HSFH: hex socket flat head

HSH: hex socket head

HWH: hex washer head

HWHTF: hex washer head thread forming

HYD: hydraulic

LH: left hand

LP: low pressure

LPG: Liquefied Petroleum Gas

NI: nylon insert

NPTF: national pipe thread fine

PFH: phillips flat head

PPH: phillips pan head

PPHTF: phillips pan head thread forming

PRH: phillips round head

PTH: phillips truss head

PTO: power-take-off

RH: right hand

ROPS: roll-over protection system

RRB: rear roller brush

SFH: slotted fillister head

SHH: slotted hex head

SHWH: slotted hex washer head

SPH: slotted pan head

SQH: square head

SRH: slotted round head

STD: standard

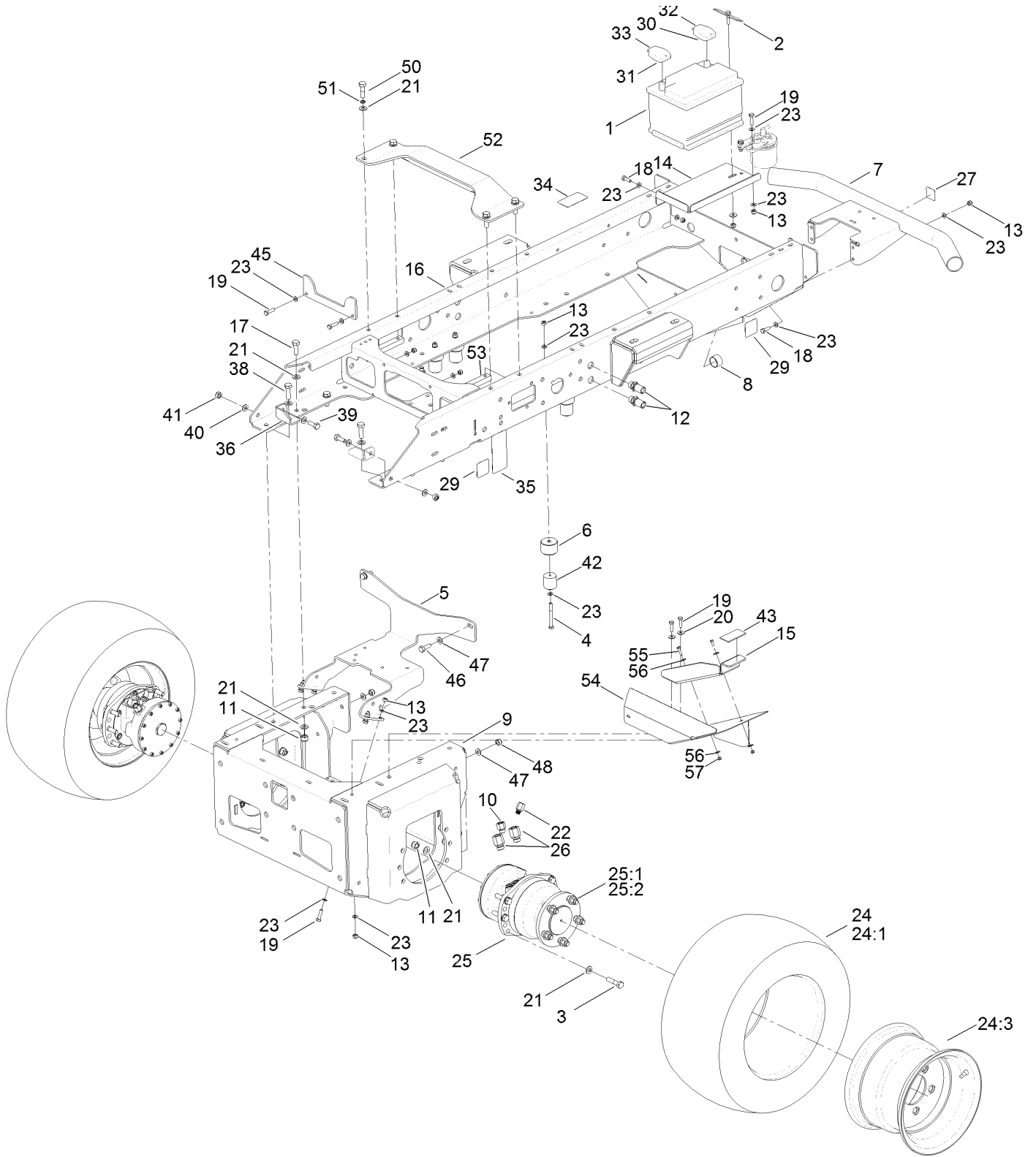
TAP: self tapping

TTH: torx truss head

Contents

Main Frame, Front Wheel and Battery Assembly	4
Engine and Mounting Assembly	6
Radiator and Shroud Assembly	8
Rear Axle Assembly	10
Steering Column, Seat and Platform Assembly	12
Pedal Control Assembly	14
Front Lift Arm Assembly	16
Center Arm Assembly	18
Lift/Steer Hydraulic Circuit Assembly	20
Hydraulic Oil Tank Assembly	22
Lift Manifold Assembly	24
Transmission and Tandem Pump Assembly	26
Transmission Manifold Assembly	28
Rear Transmission Block Assembly	30
Transmission Hydraulic Circuit Assembly	32
Roll-Over Protection System Assembly	34
Fuel Tank and Storage Pod Assembly	36
Hood Assembly	38
Control Panel Assembly	40
Filter Assembly	42
Cutter Component Assembly	44
Cutter Control Manifold Assembly	46
Cutter Hydraulic Circuit Assembly	48
Loom Kit	50
Loom Assembly No. 111-6820	52
Center Flap Kit	54
Crankcase Assembly	56
Oil Pan and Oil Pump Assembly	57
Cylinder Head Assembly	58
Gear Case and Oil Filter Cartridge Assembly	59
Cylinder Head Cover Assembly	60
Dipstick and Guide Assembly	61
Main Bearing Case Assembly	62
Camshaft and Idle Gear Shaft Assembly	63
Piston and Crankshaft Assembly	64
Flywheel Assembly	65
Fuel Camshaft and Governor Shaft Assembly	66
Idle Apparatus and Stop Solenoid Assembly	67
Injection Pump and Fuel Pump Assembly	68
Speed Control Plate Assembly	69
Nozzle Holder and Glow Plug Assembly	70
Nozzle Holder Assembly	71
Governor Assembly	72
Fuel Filter Assembly	73
Alternator and Pulley Assembly	74
Alternator Components Assembly	75
Starter Assembly	76
Starter (Component Part) Assembly	77
Water Flange and Thermostat Assembly	78
Water Pump Assembly	79
Valve and Rocker Arm Assembly	80
Intake and Exhaust Manifold Assembly	81
Miscellaneous Engine Parts	82
Attachments and Accessories	83

Main Frame, Front Wheel and Battery Assembly

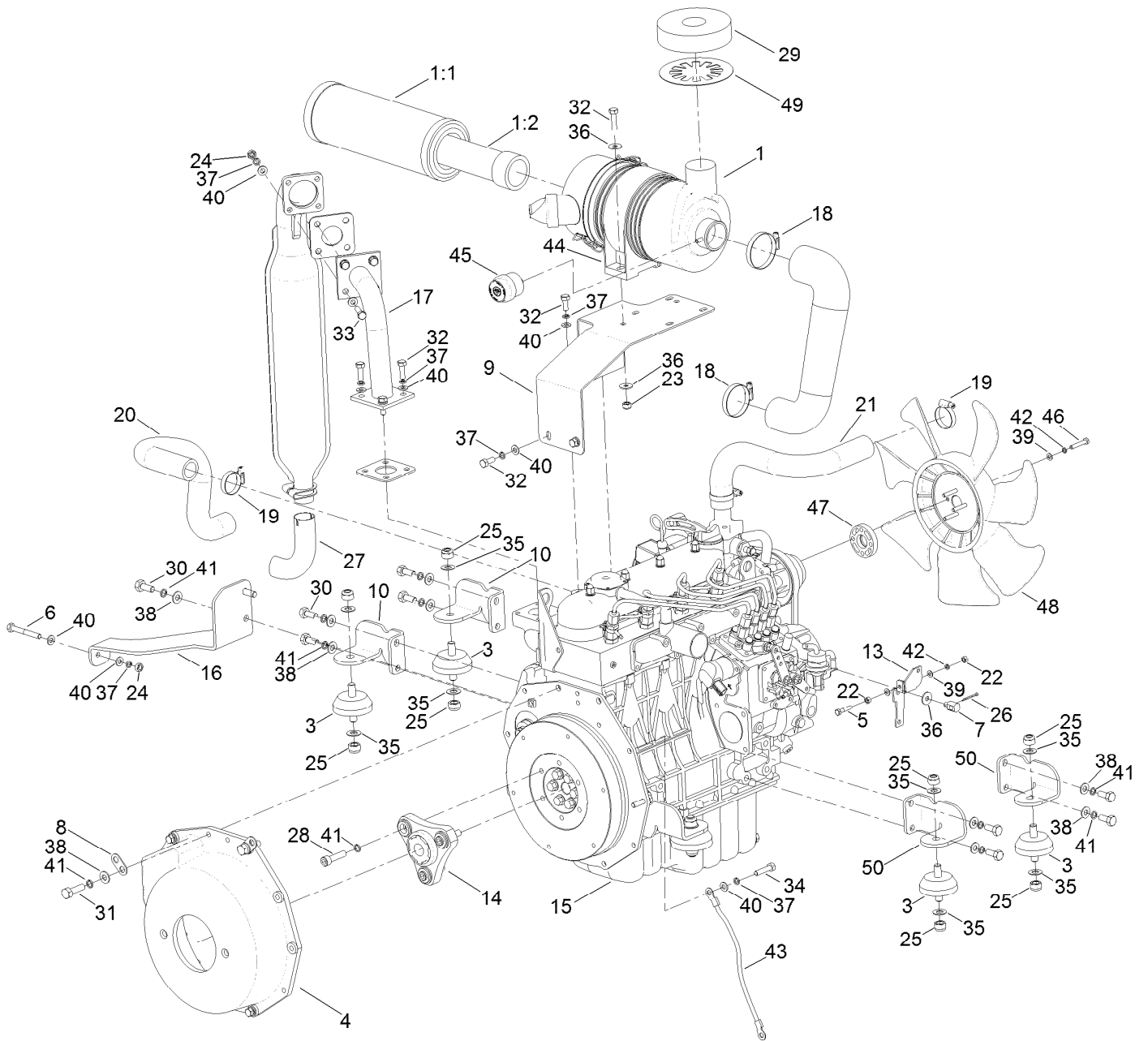


Main Frame, Front Wheel and Battery Assembly (continued)

<i>Ref.</i>	<i>Part Number</i>	<i>Qty.</i>	<i>Description</i>	<i>Ref.</i>	<i>Part Number</i>	<i>Qty.</i>	<i>Description</i>
1	70-09-015	1	Battery	25:2	74-07-016	5	Nut
2	70-01-340	1	Retainer-Battery	26	111-3529	4	Adaptor
3	09552	12	Screw-HH	27	70-13-072	1	Decal
4	ZBH1H080U	4	Bolt	29	950832	4	Decal
5	111-6791-03	1	Bracket-Manifold, Cutter	30	70-09-171	1	Terminal-Positive
6	111-5305	4	Bump-Stop	31	70-09-172	1	Terminal-Negative
7	111-3110-03	1	Bumper-Rear	32	111-3690	1	Cable-Battery, Positive
8	65-07-051	2	Bushing	33	70-09-170	1	Cable-Battery, Negative
9	111-2105-03	1	Chassis-Front	34	950889	1	Decal-Warning, Hot Surface
10	111-3509	2	Adaptor	35	111-3901	1	Decal-Transmission, Oil
11	ZNN1L000U	18	Nut-Nyloc	36	111-7092-03	2	Bracket-Chassis, Universal
12	09-06-216	2	Adaptor-Bulkhead	38	ZDH1L040U	2	Screw-HH
13	09441	21	Nut-Hex, NI	39	09392	2	Screw-HH
14	111-2599-03	1	Plate-Mount, Battery	40	ZWQ1J000U	4	Washer-Plain
15	111-3217-03	1	Support-Platform, Front (LH)	41	ZNN1J000U	2	Nut-Hex, NI
16	111-2100-03	1	Chassis-Rear	42	61-07-003	4	Buffer-Rubber
17	ZDH1L035U	4	Screw-HH	43	HY910808	1	Strip-Neoprene
18	03162	6	Screw-HH	45	111-5538-03	1	Location-Plate
19	09369	10	Screw-HH	46	09392	2	Screw-HH
20	09267	3	Washer	47	09479	4	Washer-Plain
21	HY09485	40	Washer-Plain	48	ZNN1J000U	2	Nut-Hex, NI
22	111-3538	2	Adaptor	50	63-11-010	4	Bolt-HH
23	ZWP1H000U	36	Washer-Plain	51	09599	4	Washer-Lock
24	111-6878	2	Wheel ASM	52	111-7065-03	1	Brace
24:1	111-6879	1	Rim-Wheel	53	111-7094	2	Nut Strip-Chassis Brace
24:2	74-07-012	1	Tube-Inner ●	54	111-7252-03	1	Deflector-Grass, Cutter (LH)
24:3	74-07-027	1	Tire	55	09364	2	Screw-HH
25	111-6761	2	HYD Motor ASM	56	09262	4	Washer
25:1	111-7059	5	Stud-Wheel	57	09544	2	Nut-Nyloc

● Not illustrated

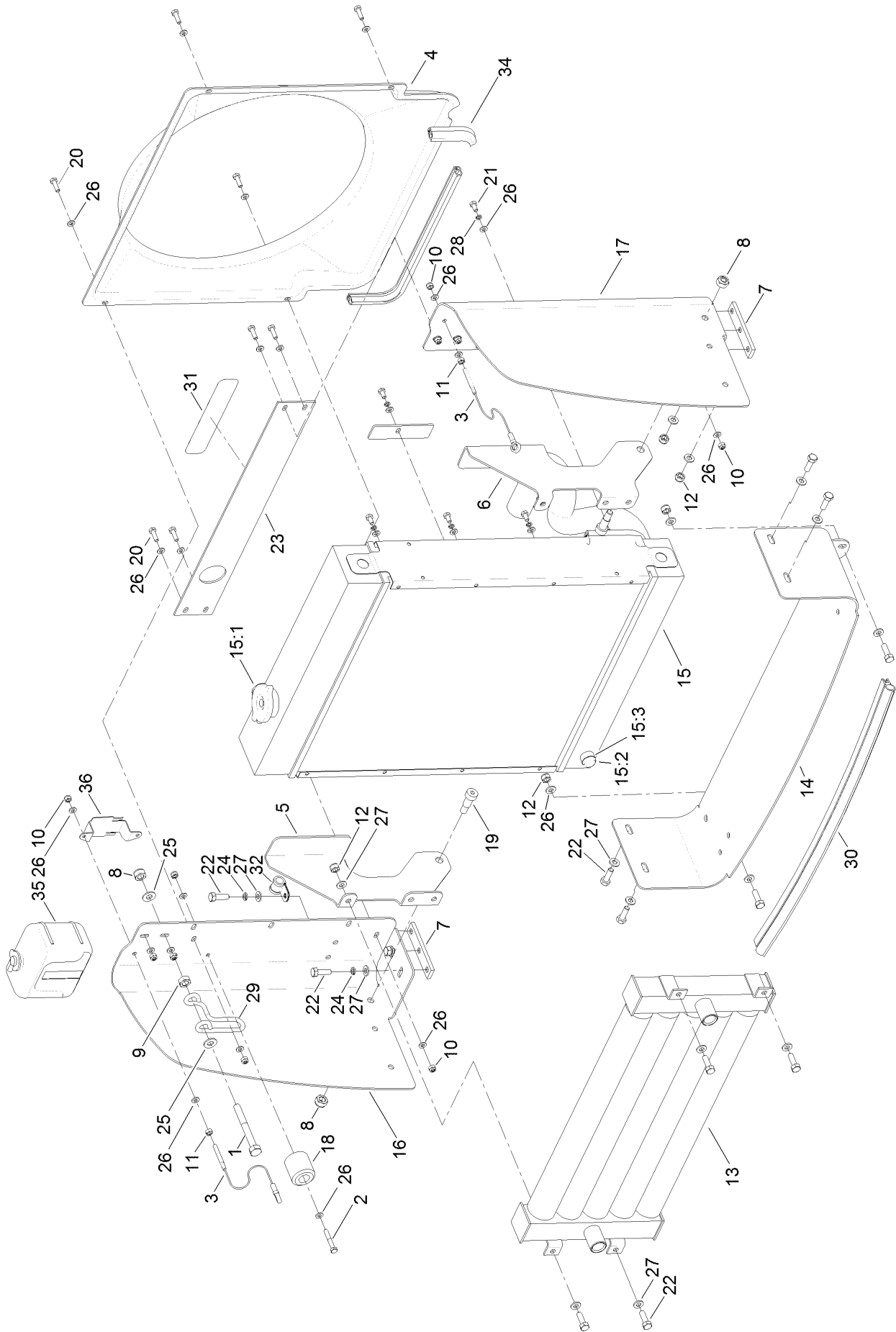
Engine and Mounting Assembly



Engine and Mounting Assembly (continued)

<i>Ref.</i>	<i>Part Number</i>	<i>Qty.</i>	<i>Description</i>	<i>Ref.</i>	<i>Part Number</i>	<i>Qty.</i>	<i>Description</i>
1	111-3805	1	Air Filter ASM	27	940213	1	Tail Pipe-Exhaust
1:1	111-3808	1	Filter-Element, Main	28	111-3806	3	Screw-HSH
1:2	111-3809	1	Filter-Element, Safety	29	111-3555	1	Seal-Air Intake
3	910816	4	Isomount-Engine	30	50-11-005	10	Screw-HH
4	922851	1	Housing-Bell	31	111-0597	2	Screw-HH
5	09547	1	Screw-HH	32	03162	10	Screw-HH
6	09371	1	Bolt	33	09369	4	Screw-HH
7	111-3298	1	Pivot-Throttle, Boss	34	ZDH1H035U	8	Screw-HH
8	74-01-327	2	Bracket-Loom Tie	35	09283	8	Washer
9	111-2588-03	1	Bracket-Air Cleaner	36	09267	5	Washer
10	111-3043-03	2	Bracket-Mount, Engine	37	03469	20	Washer-Spring
13	111-3299-03	1	Bracket-Throttle	38	ZWQ1J000U	12	Washer-Plain
14	111-2556	1	Coupling	39	ZWP1F000U	6	Washer-Plain
15	111-1290	1	Engine-Kubota	40	ZWP1H000U	26	Washer-Plain
16	111-3045-03	1	Stay-Exhaust	41	09480	15	Washer-Lock
17	111-4012	1	Flange-Exhaust	42	09474	5	Washer-Spring
18	65-07-042	2	Clip-Hose	43	70-09-023	1	Cable-Earth
19	924438	4	Clamp-Hose	44	111-3807	1	Bracket-Mounting, Air Filter
20	111-2567	1	Hose-Bottom, Radiator	45	953870	1	Indicator-Filter Blockage
21	910921	1	Hose-Top	46	09645	4	Setscrew-HH
22	09437	2	Nut	47	104-4247	1	Spacer-Fan
23	09441	2	Nut-Hex, NI	48	110-0966	1	Fan-Cooling
24	ZNH1H000U	5	Nut-Hex	49	111-6937-03	1	Washer-Pad, Intake Air
25	09231	8	Nut-Hex, Nyloc	50	111-7141-03	2	Bracket-Mount, Engine
26	70-11-005	1	Pin-Split				

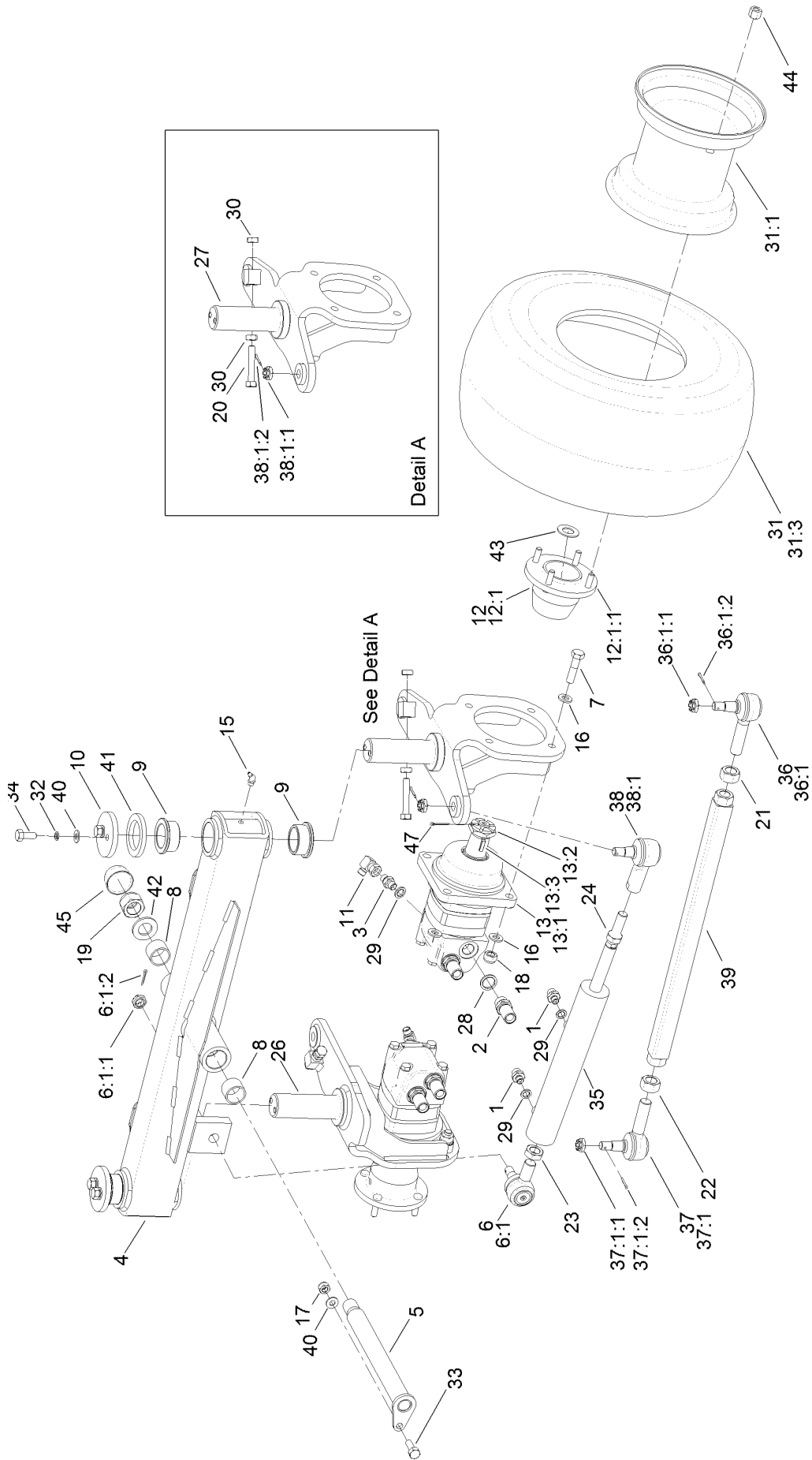
Radiator and Shroud Assembly



Radiator and Shroud Assembly (continued)

<i>Ref.</i>	<i>Part Number</i>	<i>Qty.</i>	<i>Description</i>	<i>Ref.</i>	<i>Part Number</i>	<i>Qty.</i>	<i>Description</i>
1	ZBH1J090U	1	Screw-HH	17	111-3007-03	1	Bracket-Radiator, RH
2	ZBH1F040U	2	Screw-HH	18	61-07-003	2	Buffer-Rubber
3	924825	2	Cable-Stay, Cover	19	ZIS1J020S	2	Bolt-Shoulder, Socket Head
4	111-3301	1	Cowl-Fan	20	09363	8	Screw-HH
5	111-3010-03	1	Hinge-Oil Cooler, LH	21	09361	6	Screw-HH
6	111-3011-03	1	Hinge-Oil Cooler, RH	22	03162	16	Screw-HH
7	111-3281	2	Bar-Nut	23	111-3008-03	1	Seal-Top
8	ZNN1J000U	3	Nut-Hex, NI	24	03469	6	Washer-Spring
9	09449	1	Nut	25	ZWQ1J000U	2	Washer-Plain
10	09438	12	Nut-Nyloc	26	09472	30	Washer-Plain
11	09437	2	Nut	27	ZWP1H000U	24	Washer-Plain
12	09441	10	Nut-Hex, NI	28	09474	6	Washer-Spring
13	70-06-171	1	Cooler-Oil	29	104-5429	1	Clamp-Form, Wire
14	111-3009-03	1	Plate-Seal, Lower	30	994808	3	Excluder-Draught
15	111-5193	1	Radiator ASM	31	111-3902	1	Decal-Engine, Fan/Radiator
15:1	111-0698	1	Cap-Radiator	32	111-6082	1	Clamp-Cable
15:2	30-06-200	1	Plug-HYD	34	111-7053	1	Seal-Bubble, Side
15:3	200134	1	Washer	35	111-7452	1	Tank-Reserve, Coolant Kit
16	111-3006-03	1	Bracket-Radiator, LH	36	108-9930-03	1	Bracket-Bottle

Rear Axle Assembly



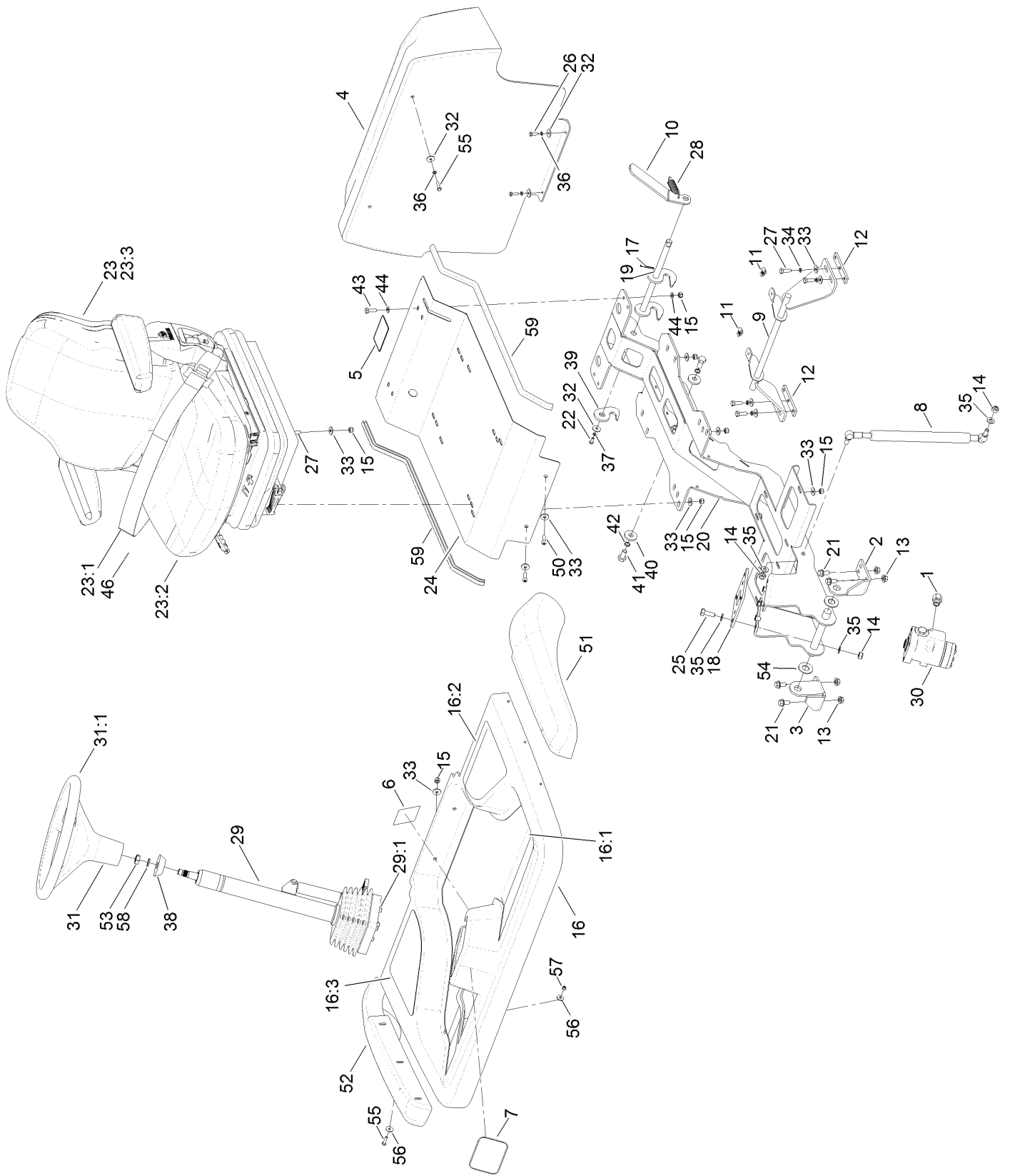
Rear Axle Assembly (continued)

<i>Ref.</i>	<i>Part Number</i>	<i>Qty.</i>	<i>Description</i>	<i>Ref.</i>	<i>Part Number</i>	<i>Qty.</i>	<i>Description</i>
1	50-06-009	2	Adaptor-Bsp	28	10-06-032	4	Seal-Dowty
2	09-06-216	4	Adaptor-Bulkhead	29	10-06-030	4	Seal-Dowty
3	10-06-085	2	Adaptor	30	09449	4	Nut
4	111-4995-03	1	Axle-Rear	31	111-6876	2	Wheel ASM
5	111-3265	1	Pin-Axle	31:1	111-6877	1	Rim-Wheel
6	111-6578-03	1	Joint-Ball	31:2	72-07-068	1	Tube-Inner ●
6:1		1	Ball Joint ■	31:3	924803	1	Tire
6:1:1	111-5116	1	Nut-Castle	32	09480	4	Washer-Lock
6:1:2	09306	1	Pin-Split	33	09392	1	Screw-HH
7	09552	8	Screw-HH	34	09395	4	Screw-HH
8	70-05-031	2	Bushing	35	924724	1	HYD Steering Cylinder ASM
9	111-3681	4	Bushing-Flanged, Oilite	35:1	111-4872	1	Seal Kit ●
10	70-01-197	2	Cap-Washer	36	111-6065-03	1	Rod End-Track, RH
11	31-06-004	2	Elbow-Compact	36:1		1	Rod End-RH ■
12	111-5176-03	2	Wheel Hub ASM	36:1:1	111-5116	1	Nut-Castle
12:1		1	Hub-Wheel ■	36:1:2	09306	1	Pin-Split
12:1:1	65-07-019	4	Stud-Wheel ●	37	111-6066-03	1	Rod End-Track, LH
13	111-2260	2	HYD Motor ASM	37:1		1	Rod End-LH ■
13:1	111-3421	1	Seal Kit ●	37:1:1	111-5116	1	Nut-Castle
13:2	70-06-081	1	Castle-Nut	37:1:2	09306	1	Pin-Split
13:3	70-06-089	1	Key	38	111-5087-03	1	Joint-Ball, Steering Cylinder Rod
15	63-07-027	3	Zerk-Grease, Bsp (90 DEG)	38:1		1	Joint-Ball ■
16	HY09485	16	Washer-Plain	38:1:1	111-5116	1	Nut-Castle
17	ZNN1J000U	1	Nut-Hex, NI	38:1:2	09306	1	Pin-Split
18	09650	8	Nut-Hex, Nyloc	39	111-2560-03	1	Rod-Track
19	ZNN1X000U	1	Nut-Hex, Nyloc	40	ZWQ1J000U	5	Washer-Plain
20	ZDH1J060U	2	Setscrew-HH	41	70-07-149	2	Washer-Felt
21	70-11-002	1	Nut	42	09555	1	Washer
22	70-11-001	1	Nut	43	ZWP1T000U	2	Washer-Plain
23	09828	1	Nut	44	65-07-009	8	Nut-Wheel, Dome
24	09827	1	Nut	45	10-11-100	1	Cap-Nut
26	111-4982-03	1	RH Rear Yoke ASM	47	70-11-004	2	Pin-Split
27	111-4983-03	1	LH Rear Yoke ASM				

● Not illustrated

■ Not serviced separately

Steering Column, Seat and Platform Assembly

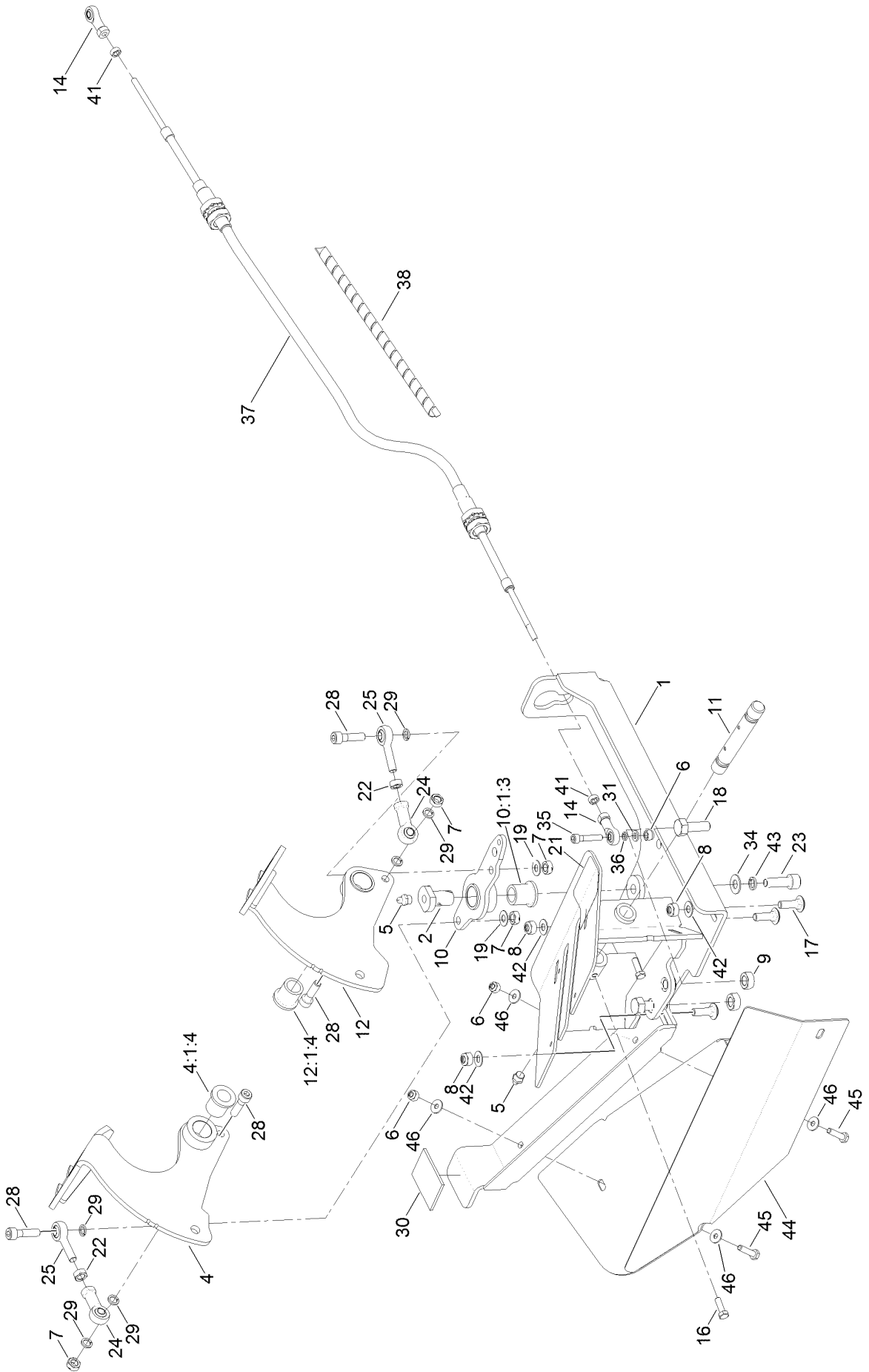


Steering Column, Seat and Platform Assembly (continued)

<i>Ref.</i>	<i>Part Number</i>	<i>Qty.</i>	<i>Description</i>	<i>Ref.</i>	<i>Part Number</i>	<i>Qty.</i>	<i>Description</i>
1	111-3509	5	Adaptor	28	70-07-063	1	Spring-Extension
2	111-3243-03	1	Bracket-Platform Pivot, LH	29	111-6756	1	Steering Column ASM
3	111-2665-03	1	Bracket-Platform Pivot, RH	29:1	110-6462	1	Bellows-Rubber
4	111-3293	1	Bulkhead	30	111-7464	1	Valve-Steering, Control
5	111-3566	1	Decal-Latch, Platform	30:99	130-8358	1	Seal Kit ●
6	111-3562	1	Decal	30:99	94-4095	1	Centering Spring Kit ●
7	67-1300	1	Decal	31	98-1471	1	Wheel-Steering
8	111-3510	1	Spring-Gas	31:1	98-1468	1	Cover-Wheel, Steering
9	111-3140-03	1	Bar-Latch	32	09263	5	Washer
10	111-3269-03	1	Lever-Latch, Platform	33	09267	20	Washer
11	410076	2	Nut	34	03469	4	Washer-Spring
12	111-3281	2	Bar-Nut	35	ZWQ1J000U	10	Washer-Plain
13	63-11-015	4	Nut-Flanged	36	09264	4	Washer-Spring
14	ZNN1J000U	6	Nut-Hex, NI	37	09474	1	Washer-Spring
15	09441	16	Nut-Hex, NI	38	93-5429	1	Collar-Foam
16	111-3296	1	Operator Platform ASM	39	111-3268	1	Latch-Plate, Platform
16:1	111-3506	1	Mat-Floor	40	63-01-115	2	Washer
16:2	111-3507	1	Mat-Side, LH	41	09571	2	Screw-HH
16:3	111-3508	1	Mat-Side, RH	42	09599	2	Washer-Lock
17	70-11-004	1	Pin-Split	43	03162	2	Screw-HH
18	111-2899-03	1	Plate-Mount Pump, Steering	44	ZWP1H000U	4	Washer-Plain
19	111-3266	1	Latch-Platform	46	98-1459	1	Decal
20	111-2640-03	1	Support-Platform	50	ZHS1H025U	2	Screw-HSBH
21	63-11-018	4	Screw-Durloc	51	111-4921	1	Mudguard-LH
22	09362	1	Screw-HH	52	111-4922	1	Mudguard-RH
23	111-4935	1	Seat ASM (Incl. Seat Belt)	53	09827	1	Nut
23:1	111-4936	1	Retractable Seat Belt ASM	54	09499	2	Washer
23:2	111-5543	1	Cushion Seat	55	09364	8	Screw-HH
23:3	111-5544	1	Cushion Backrest	56	09262	12	Washer
23:99	111-0410	1	Switch Operator Presence ●	57	09438	6	Nut-Nyloc
24	111-3069-03	1	Pan-Seat	58	HY4200	1	Washer-Spring
25	09392	4	Screw-HH	59	50-08-001	2	Edging-Rubber
26	09363	2	Screw-HH	99	994808	1	Excluder-Draught ●
27	03162	8	Screw-HH				

● Not illustrated

Pedal Control Assembly



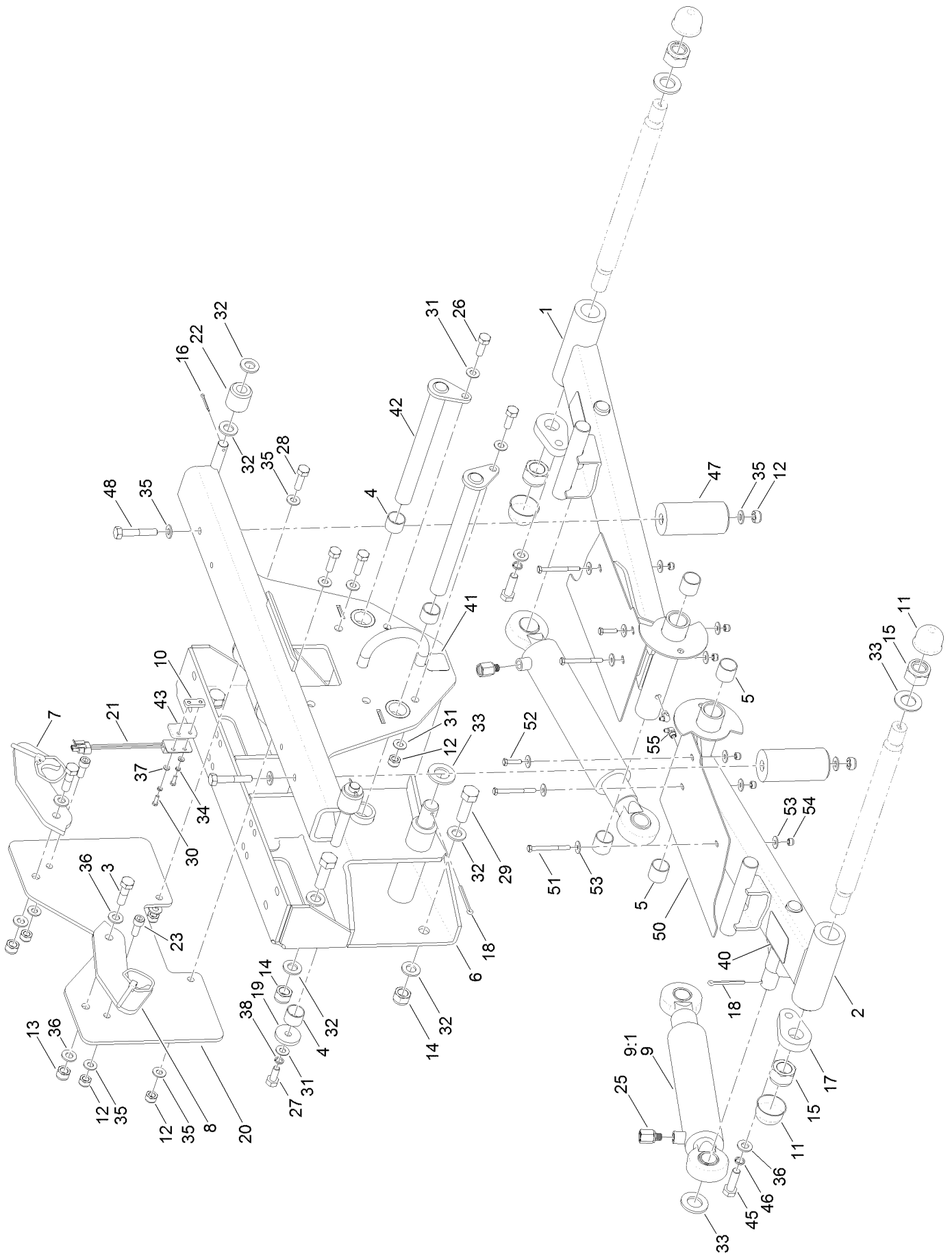
Pedal Control Assembly (continued)

<i>Ref.</i>	<i>Part Number</i>	<i>Qty.</i>	<i>Description</i>	<i>Ref.</i>	<i>Part Number</i>	<i>Qty.</i>	<i>Description</i>
1	111-7175-03	1	Pedal-Mounting ASM	19	09475	2	Washer
2	111-7122	1	Boss-Pedal, Link	21	111-3567	1	Decal-Pedal Operation
4	111-7170-03	1	Forward Pedal ASM	22	ZNH1H000U	2	Nut-Hex
4:1		1	Pedal-Traction, Forward ●■	23	ZCS1J030U	1	Screw-Soc
4:1:4	953868	1	Bushing-Flange, Oilite	24	111-2896	2	Rod-End, Female
5	10-11-017	2	Fitting-Straight	25	111-6147	2	Rod End
6	09544	3	Nut-Nyloc	28	ZCS1H030U	4	Screw-Cap
7	ZNB1H000U	4	Nut	29	111-6948	6	Washer-Spring
8	09441	3	Nut-Hex, NI	30	HY910808	1	Strip-Neoprene
9	09449	2	Nut	31	09472	1	Washer-Plain
10	111-7068-03	1	Pedal Link ASM	34	09479	1	Washer-Plain
10:1		1	Link-Pedal ●■	35	111-4586	1	Screw-HSH
10:1:3	953868	1	Bushing-Flange, Oilite	36	09474	1	Washer-Spring
11	111-1310	1	Pin-Control, Pedal	37	111-7140	1	Cable-Transmission
12	111-7171-03	1	Reverse Pedal ASM	38	111-6133	1	Guard-Spiral
12:1		1	Pedal-Traction, Reverse ●■	41	09437	2	Nut
12:1:4	953868	1	Bushing-Flange, Oilite	42	09267	3	Washer
14	111-4579	2	Rod End-Female/Female	43	09480	1	Washer-Lock
16	09363	2	Screw-HH	44	111-7253-03	1	Deflector-Grass, Cutter RH
17	09373	3	Bolt-Coach	45	09364	2	Screw-HH
18	09392	2	Screw-HH	46	09262	4	Washer

● Not illustrated

■ Not serviced separately

Front Lift Arm Assembly

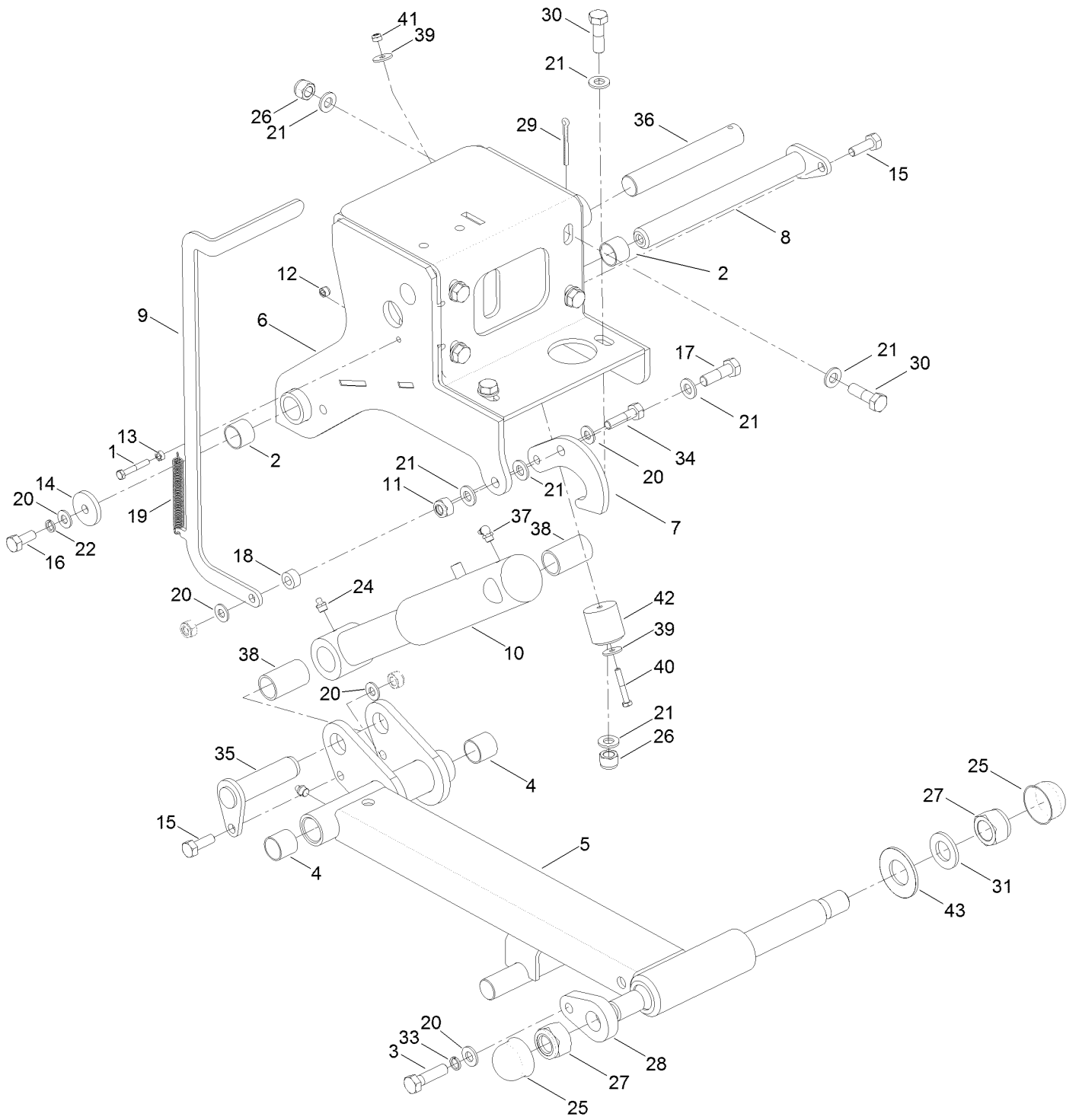


Front Lift Arm Assembly (continued)

<i>Ref.</i>	<i>Part Number</i>	<i>Qty.</i>	<i>Description</i>	<i>Ref.</i>	<i>Part Number</i>	<i>Qty.</i>	<i>Description</i>
1	111-1390-03	1	Arm-Front, RH	27	09395	2	Screw-HH
2	111-4100-03	1	Arm-Front, LH	28	ZDH1J035U	4	Screw-HH
3	63-11-010	2	Bolt-HH	29	ZDH1P050U	8	Screw-HH
4	74-07-028	4	Bushing	30	ZDH1E016U	4	Screw-HH
5	876066	4	Bushing	31	09479	6	Washer-Plain
6	111-8096-03	1	Frame-Pivot, Arm [black]	32	09491	20	Washer-Plain
7	994350C	1	Latch-LH	33	09555	6	Washer
8	994355C	1	Latch-RH	34	09644	4	Washer-Spring
9	111-1998	2	HYD Lift Cylinder ASM	35	ZWQ1J000U	14	Washer-Plain
9:1	111-3471	1	Seal Kit ●	36	HY09485	6	Washer-Plain
10	111-3336	2	Bar-Switch, Proximity	37	09470	4	Washer
11	10-11-100	4	Cap-Nut	38	09480	2	Washer-Lock
12	ZNN1J000U	10	Nut-Hex, NI	40	70-13-077	2	Decal-Danger
13	09650	2	Nut-Hex, Nyloc	41	70-13-072	1	Decal
14	09456	8	Nut	42	111-3248	2	Pin-Pivot, Front Arm
15	ZNN1X000U	4	Nut-Hex, Nyloc	43	111-3676	2	Spacer-Switch, Proximity
16	70-11-005	2	Pin-Split	45	ZDH1L040U	2	Screw-HH
17	63-01-185W	2	Retainer-Pin	46	09599	2	Washer-Lock
18	74-11-003	4	Pin-Split	47	111-4157	2	Stop-Bump
19	111-3366	2	Plate-Retaining, Bushing	48	09397	2	Bolt
20	111-4093-03	1	Mount-Latch, Plate	50	111-6822-03	2	Deflector- Arm, Mounted
21	105-0023	2	Switch-Proximity	51	09703	4	Bolt-HH
22	922112	2	Roller	52	09364	2	Screw-HH
23	ZCS1J025U	2	Screw-HSH	53	09262	12	Washer
25	111-3538	2	Adaptor	54	09544	6	Nut-Nyloc
26	09392	2	Screw-HH	55	63-07-027	2	Zerk-Grease, Bsp (90 DEG)

● Not illustrated

Center Arm Assembly

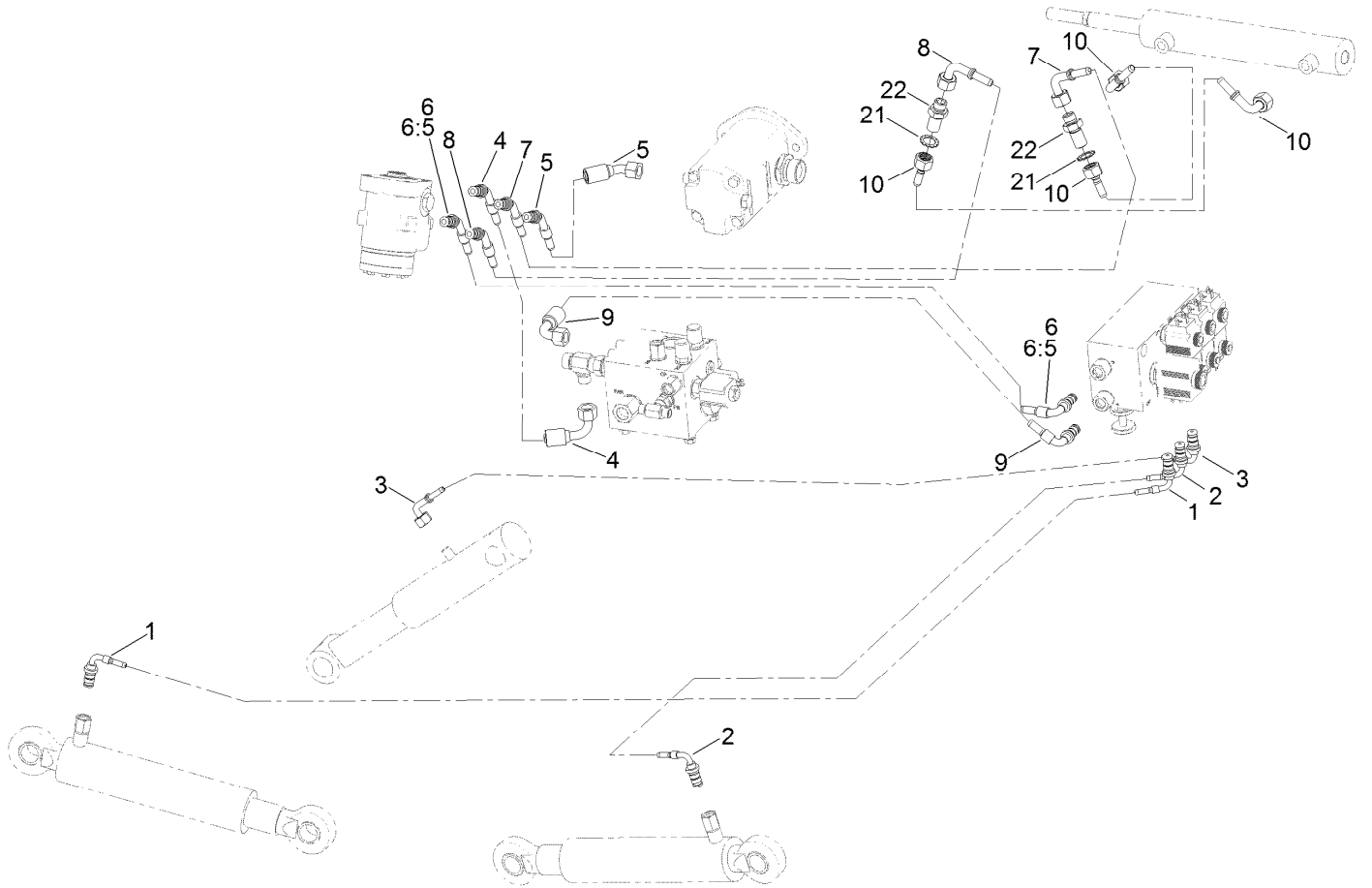


Center Arm Assembly (continued)

<i>Ref.</i>	<i>Part Number</i>	<i>Qty.</i>	<i>Description</i>	<i>Ref.</i>	<i>Part Number</i>	<i>Qty.</i>	<i>Description</i>
1	ZBH1F040U	1	Screw-HH	21	HY09485	17	Washer-Plain
2	74-07-028	2	Bushing	22	09480	1	Washer-Lock
3	ZBH1L045U	1	Screw-HH	24	10-11-017	1	Fitting-Straight
4	876066	2	Bushing	25	10-11-100	2	Cap-Nut
5	111-5158-03	1	Center Arm ASM	26	ZNN1L000U	6	Nut-Nyloc
6	111-5190-03	1	Center Arm Mount ASM	27	ZNN1X000U	2	Nut-Hex, Nyloc
7	111-3099-01	1	Latch-Head, Center	28	63-01-185W	1	Retainer-Pin
8	111-3248	1	Pin-Pivot, Front Arm	29	74-11-003	2	Pin-Split
9	111-3122-01	1	Handle-Head, Center	30	09415	6	Screw-HH
10	910109W	1	Cylinder-Lift	31	09555	3	Washer
10:99	50-06-013	1	Seal Kit ●	33	09599	1	Washer-Lock
11	09650	1	Nut-Hex, Nyloc	34	09611	1	Bolt-HH
12	09544	1	Nut-Nyloc	35	74-05-108	1	Pin-Wing, Arm
13	09437	1	Nut	36	111-5212	1	Pin-Plain
14	111-3366	1	Plate-Retaining, Bushing	37	63-07-027	1	Zerk-Grease, Bsp (90 DEG)
15	09392	2	Screw-HH	38	25-07-007	2	Bushing-Tension
16	09395	1	Screw-HH	39	09263	2	Washer
17	ZDH1L035U	1	Screw-HH	40	ZBH1F040U	1	Screw-HH
18	111-3457	1	Spacer-Latch, Center Head	41	09438	1	Nut-Nyloc
19	111-3329	1	Spring-Latch, Center Head	42	61-07-003	1	Buffer-Rubber
20	ZWQ1J000U	7	Washer-Plain	43	767815	1	Washer-Belleville

● Not illustrated

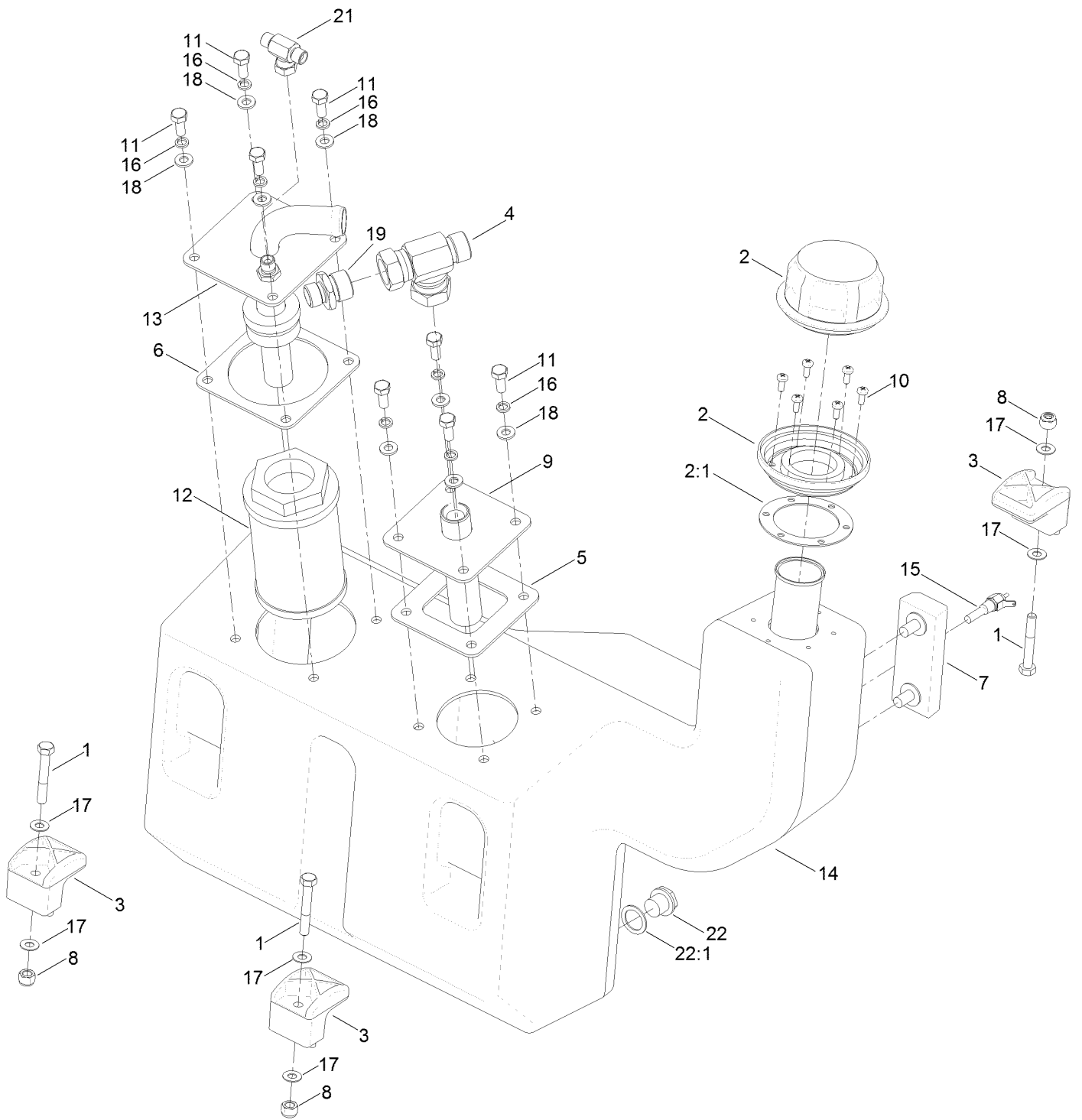
Lift/Steer Hydraulic Circuit Assembly



Lift/Steer Hydraulic Circuit Assembly (continued)

<i>Ref.</i>	<i>Part Number</i>	<i>Qty.</i>	<i>Description</i>	<i>Ref.</i>	<i>Part Number</i>	<i>Qty.</i>	<i>Description</i>
1	111-3602	1	Hose	7	111-7538	1	Hose
2	111-3603	1	Hose	8	111-7539	1	Hose
3	111-3611	1	Hose	9	111-3618	1	Hose
4	111-3613	1	Hose	10	111-7537	2	Hose
5	111-3614	1	Hose	21	111-5622	2	Washer-Lock, Serrated
6	111-3615	1	Hose	22	30-06-208	2	Adaptor
6:5	111-3509	2	Adaptor				

Hydraulic Oil Tank Assembly

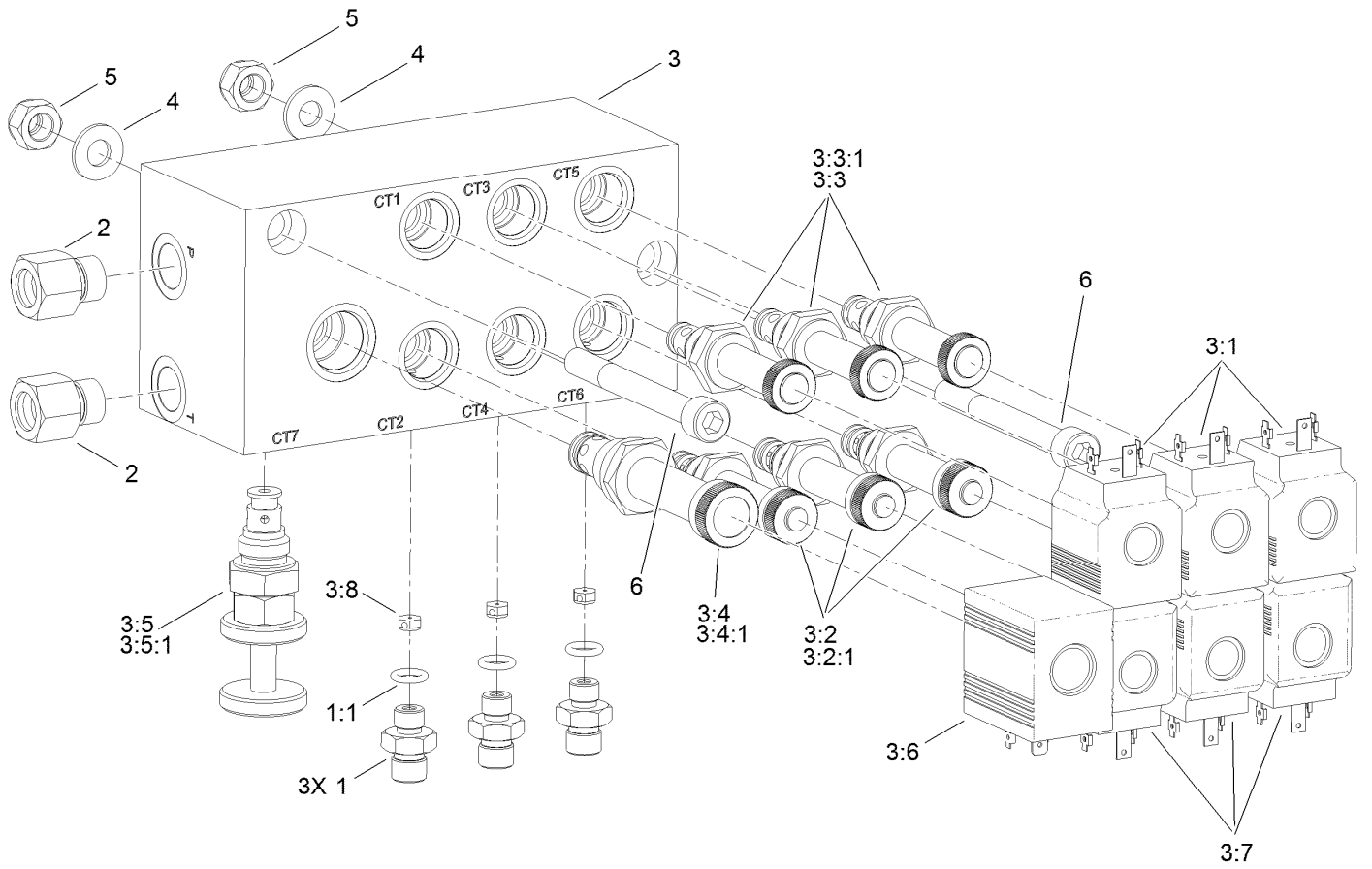


Hydraulic Oil Tank Assembly (continued)

<i>Ref.</i>	<i>Part Number</i>	<i>Qty.</i>	<i>Description</i>	<i>Ref.</i>	<i>Part Number</i>	<i>Qty.</i>	<i>Description</i>
1	09565	3	Screw-HH	12	10-06-025	1	Filter-Suction
2	HY910601	1	Cap-Breather, Filler	13	111-5155-03	1	Suction Flange ASM
2:1	910648	1	Cap-Gasket, Filler	14	111-3034	1	Tank-Oil, HYD
3	107-4543	3	Clamp	15	940852	1	Switch-Temperature
4	60-06-009	1	Adaptor-Tee	16	03469	8	Washer-Spring
5	111-3387	1	Gasket-Flange, Return	17	09475	6	Washer
6	111-3386	1	Gasket-Flange, Suction	18	ZWP1H000U	8	Washer-Plain
7	65-06-018	1	Gauge-Level, Oil	19	09-06-201	1	Adaptor
8	09442	3	Nut	21	60-06-011	1	Tee-Bsp
9	111-3230-03	1	Flange-Return	22	20-06-207	1	Plug-Magnetic
10	09634	6	Screw-PPH, HD	22:1	111-7925	1	Washer-Fibre
11	09368	8	Screw-HH	99	10-11-033	2	Clamp-Hose, Hi-Torque ●

● Not illustrated

Lift Manifold Assembly



Lift Manifold Assembly (continued)

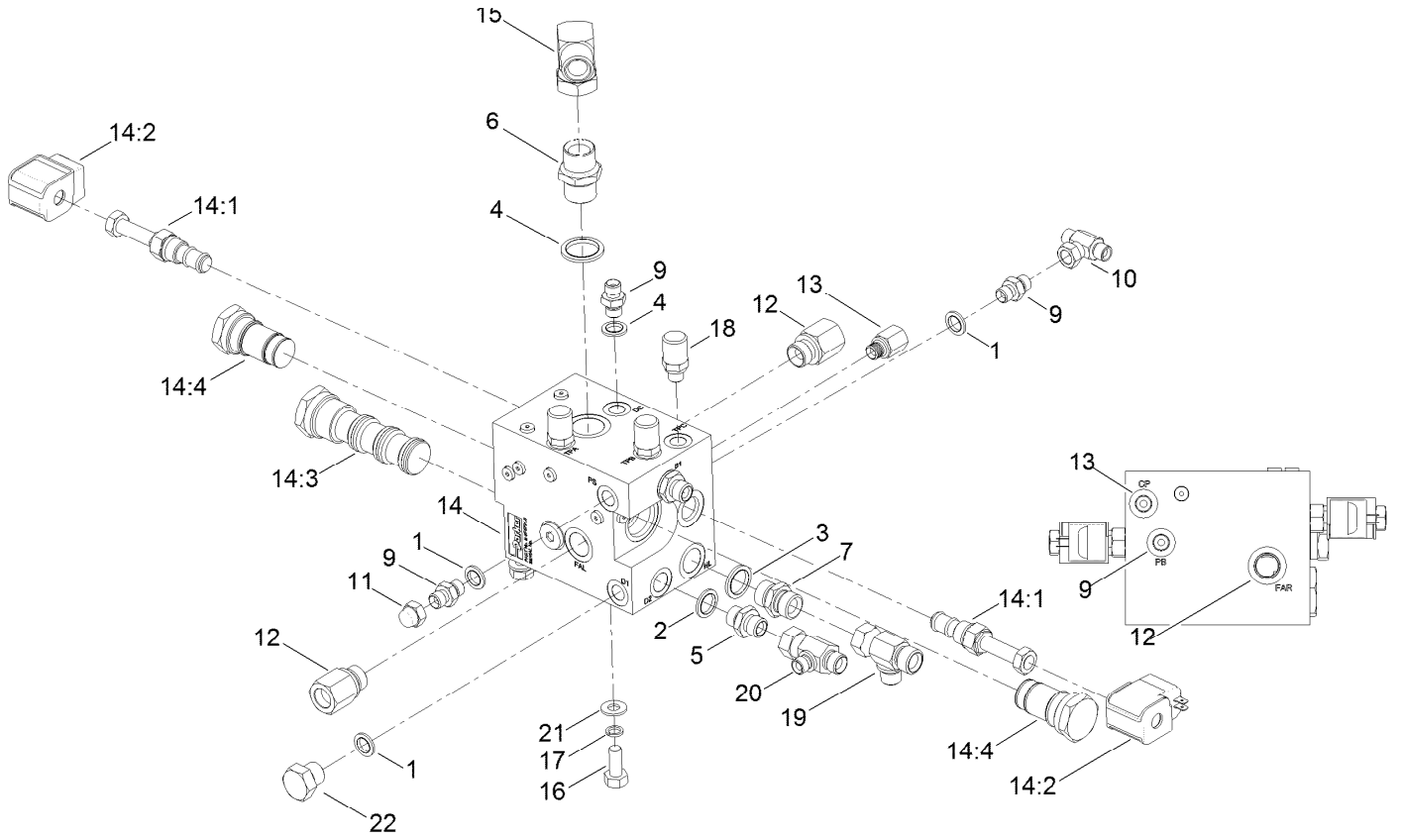
<i>Ref.</i>	<i>Part Number</i>	<i>Qty.</i>	<i>Description</i>	<i>Ref.</i>	<i>Part Number</i>	<i>Qty.</i>	<i>Description</i>
1	950750	3	Adaptor	3:4:1	111-4903	1	Seal Kit
1:1	70-06-163	1	Seal-O Ring	3:5	111-3439	1	Needle-Valve
2	111-3509	2	Adaptor	3:5:1	111-4904	1	Seal Kit
3	111-3435	1	Manifold-Control, Lift	3:6	111-3440	1	Solenoid
3:1	111-3434	3	Solenoid	3:7	111-3688	3	Solenoid Coil
3:2	111-3436	3	Valve-Solenoid	3:8	111-3689	3	Plate-Orifice (2 Way)
3:2:1	111-4902	1	Seal Kit	4	ZWQ1J000U	2	Washer-Plain
3:3	111-3437	3	Valve-Solenoid	5	ZNN1J000U	2	Nut-Hex, NI
3:3:1	111-4902	1	Seal Kit	6	111-3520	2	Screw-HSH
3:4	111-3438	1	Valve-Solenoid				

Transmission and Tandem Pump Assembly (continued)

<i>Ref.</i>	<i>Part Number</i>	<i>Qty.</i>	<i>Description</i>	<i>Ref.</i>	<i>Part Number</i>	<i>Qty.</i>	<i>Description</i>
1	70-06-050	3	Adaptor-Boss	30:1:1	111-4906	1	O-Ring, Large
1:1	70-06-168	1	Seal-O Ring	30:1:2	111-4925	1	O-Ring, Small
2	70-06-236	1	Adaptor-Bspp, 1 Inch	30:2	111-3378	1	Plug-Charge Pressure Relief
2:1	70-06-168	1	Seal-O Ring	30:2:1	111-4920	1	O-Ring, Charge Relief Plug
4	63-06-104	2	Adaptor-Bsp	30:3	111-4908	1	Shim Kit (Charge Prv)
4:1	63-06-111	1	Seal-O Ring	30:4	111-4918	1	Spring-Charge, Prv
5	70-06-053	1	Adaptor-Boss	30:5	111-4919	1	Poppet-Charge, Prv
5:1	63-06-111	1	Seal-O Ring	30:6	111-3380	1	Valve-Flushing, Loop
6	111-6853-03	1	Adjuster-Damper	30:7	111-4917	1	Spring-Loop Flushing Valve
7	09565	1	Screw-HH	30:8	111-4916	1	Plug-Loop Flushing Valve
8	111-6456-03	1	Bracket-Control, Pump	30:8:1	111-4928	1	O-Ring, Loop Flushing Valve
12	111-7130	1	Damper	30:9	111-6776	1	Plug-Flush
13	111-6814	1	Lever-Control, Pump	30:9:1	111-4928	1	O-Ring, Loop Flushing Valve
14	111-3336	2	Bar-Switch, Proximity	30:10	111-6775	1	Valve-Pressure Relief, 300 Bar
15	09273	4	Washer-Spring	30:10:1	111-4906	1	O-Ring, Large
17	09544	1	Nut-Nyloc	30:10:2	111-4925	1	O-Ring, Small
18	09441	7	Nut-Hex, NI	31	09599	2	Washer-Lock
19	105-0023	2	Switch-Proximity	32	09644	4	Washer-Spring
20	111-3553	1	Tandem Pump ASM	33	09475	10	Washer
20:1	70-06-028	1	O-Ring	34	HY09485	2	Washer-Plain
20:99	70-06-153	1	Seal Kit ●	35	09257	4	Washer
22	ZDH1L035U	2	Screw-HH	37	20-06-212	1	Adaptor-Bsp
23	ZDH1E020U	4	Screw-HH	38	60-06-009	1	Adaptor-Tee
24	03162	4	Screw-HH	39	70-06-028	1	O-Ring
25	HY103653	4	Screw-HH	41	HY03355	1	Washer-Plated
26	111-3676	2	Spacer-Switch, Proximity	43	111-4586	1	Screw-HSH
27	111-3260-03	1	Adjuster-Switches	45	ZWP1F000U	1	Washer-Plain
28	74-06-019	1	Adaptor-Tee	53	65-01-559	1	Washer-Space
29	111-3639	1	Tee-Bsp	54	09267	2	Washer
30	111-6774	1	Pump-Transmission	55	09474	2	Washer-Spring
30:1	111-3379	1	Valve-Pressure Relief, 345 Bar				

● Not illustrated

Transmission Manifold Assembly

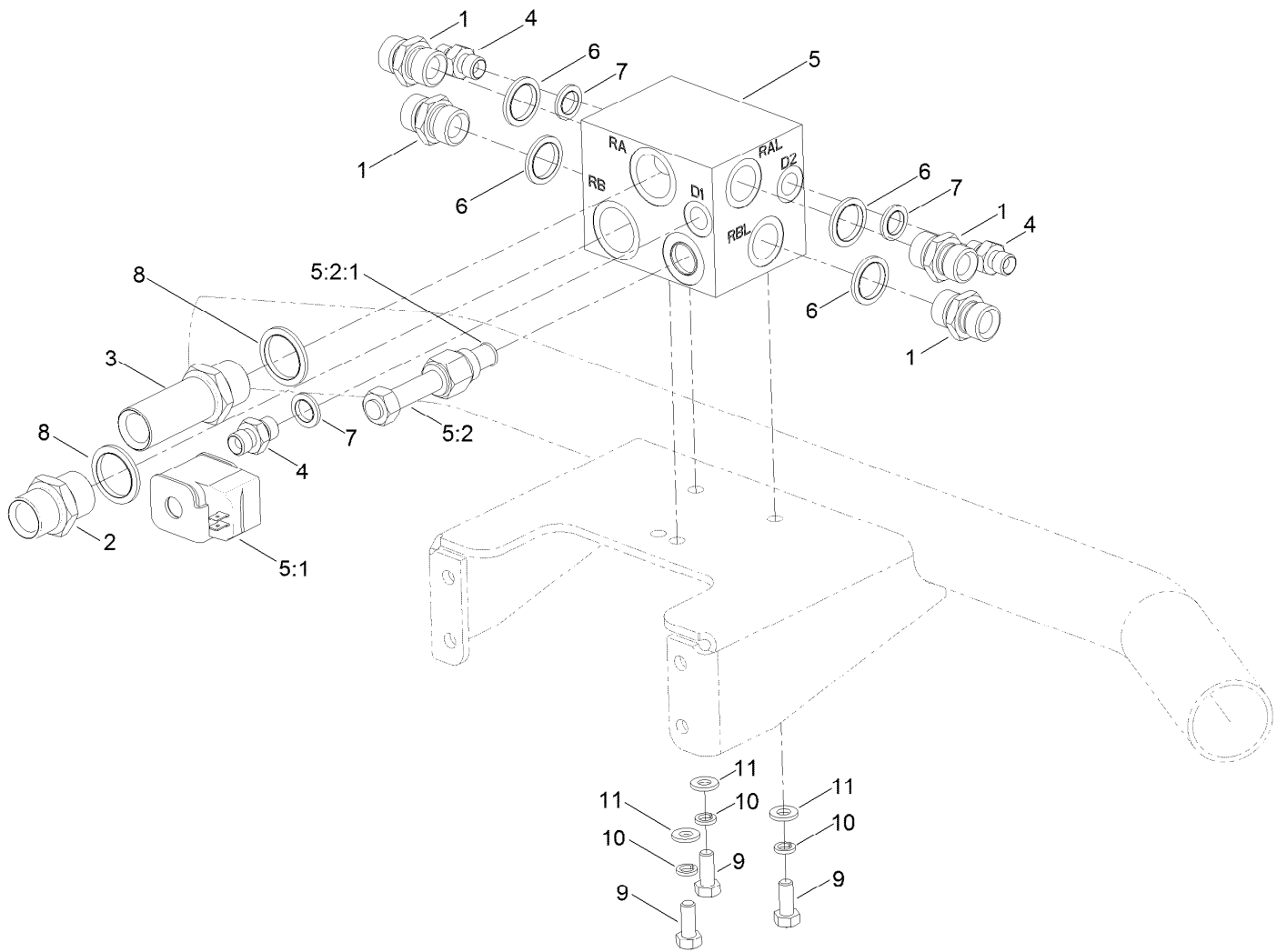


Transmission Manifold Assembly (continued)

<i>Ref.</i>	<i>Part Number</i>	<i>Qty.</i>	<i>Description</i>	<i>Ref.</i>	<i>Part Number</i>	<i>Qty.</i>	<i>Description</i>
1	10-06-030	4	Seal-Dowty	14:2	910627	2	Coil-Solenoid
2	10-06-031	2	Seal-Dowty	14:3	111-4466	1	Valve-Flow, Divider/Combiner
3	10-06-032	1	Seal-Dowty	14:3:1	111-7188	1	Seal Kit ●
4	10-06-033	1	Seal-Dowty	14:4	111-4467	2	Valve-Diverter
5	10-06-042	2	Adaptor-Bspp	14:4:1	910632	1	Seal Kit ●
6	10-06-044	1	Adaptor-Bsp	14:99	910629	1	Valve-Shuttle ●
7	10-06-078	1	Adaptor-Bspp	14:99:1	910635	1	Seal Kit ●
9	10-06-085	3	Adaptor	15	111-4443	1	Elbow-Bsp
10	60-06-011	1	Tee-Bsp	16	09395	3	Screw-HH
11	66-06-003	1	Cap-Bsp	17	09480	3	Washer-Lock
12	111-3529	2	Adaptor	18	910615	3	Test Point-Bspp
13	111-3538	1	Adaptor	19	953732	1	Tee-Bsp
14	111-3993	1	Manifold-Front, Transmission	20	953806	1	Tee
14:1	111-3533	2	Valve-Solenoid	21	ZWQ1J000U	3	Washer-Plain
14:1:1	910633	1	Seal Kit ●	22	30-06-200	1	Plug-HYD

● Not illustrated

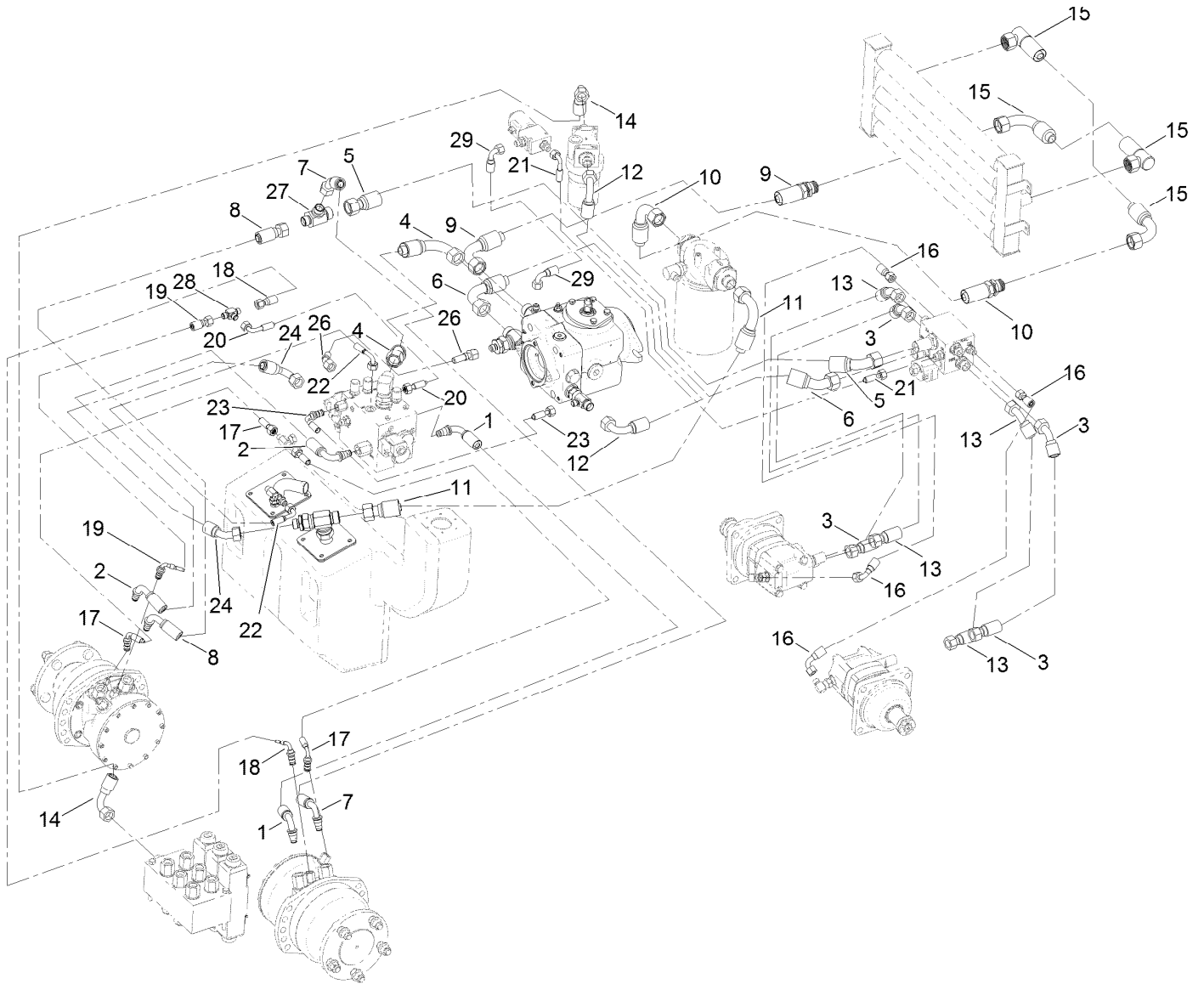
Rear Transmission Block Assembly



Rear Transmission Block Assembly (continued)

<i>Ref.</i>	<i>Part Number</i>	<i>Qty.</i>	<i>Description</i>	<i>Ref.</i>	<i>Part Number</i>	<i>Qty.</i>	<i>Description</i>
1	10-06-078	4	Adaptor-Bspp	5:2:1	910642	1	Seal Kit
2	10-06-044	1	Adaptor-Bsp	6	10-06-032	4	Seal-Dowty
3	111-7494	1	Adaptor-Bsp	7	10-06-030	3	Seal-Dowty
4	10-06-085	3	Adaptor	8	10-06-033	2	Seal-Dowty
5	924687	1	Manifold-Transmission, Rear	9	09368	3	Screw-HH
5:1	910627	1	Coil-Solenoid	10	03469	3	Washer-Spring
5:2	924688	1	Valve-2-Way, Solenoid	11	ZWP1H000U	3	Washer-Plain

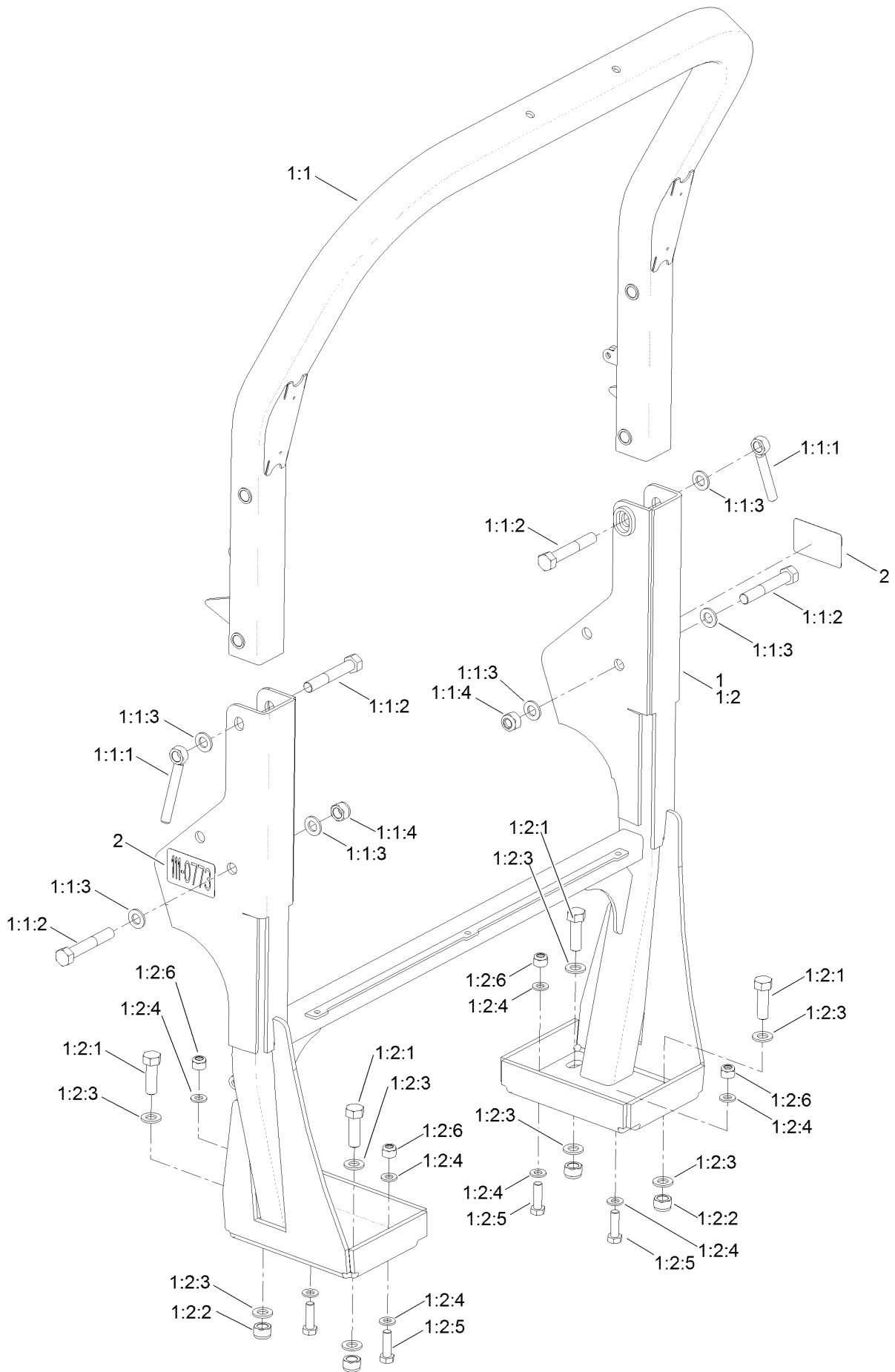
Transmission Hydraulic Circuit Assembly



Transmission Hydraulic Circuit Assembly (continued)

<i>Ref.</i>	<i>Part Number</i>	<i>Qty.</i>	<i>Description</i>	<i>Ref.</i>	<i>Part Number</i>	<i>Qty.</i>	<i>Description</i>
1	111-4473	1	Hose	15	111-3599	2	Hose
2	111-4474	1	Hose (1/2 Inch)	16	111-3604	2	Hose
3	111-3576	2	Hose	17	111-4483	2	Hose (1/4 Inch)
4	111-4475	1	Hose (3/4 Inch)	18	111-3606	1	Hose
5	111-3578	1	Hose	19	111-3607	1	Hose
6	111-4479	1	Hose	20	111-4480	1	Hose
7	111-4476	1	Hose (1/2 Inch)	21	111-4481	1	Hose
8	111-4477	1	Hose	22	111-6163	1	Hose
9	111-4478	1	Hose	23	111-4472	1	Hose
10	111-3587	1	Hose	24	111-5627	1	Hose (1/2 Inch)
11	111-3588	1	Hose	26	111-4485	1	Hose (3/8 Inch)
12	111-3593	1	Hose	27	111-3642	1	Tee-Bsp
13	111-3595	2	Hose	28	30-06-201	1	Tee
14	111-6950	1	Hose	29	111-6765	1	Hose

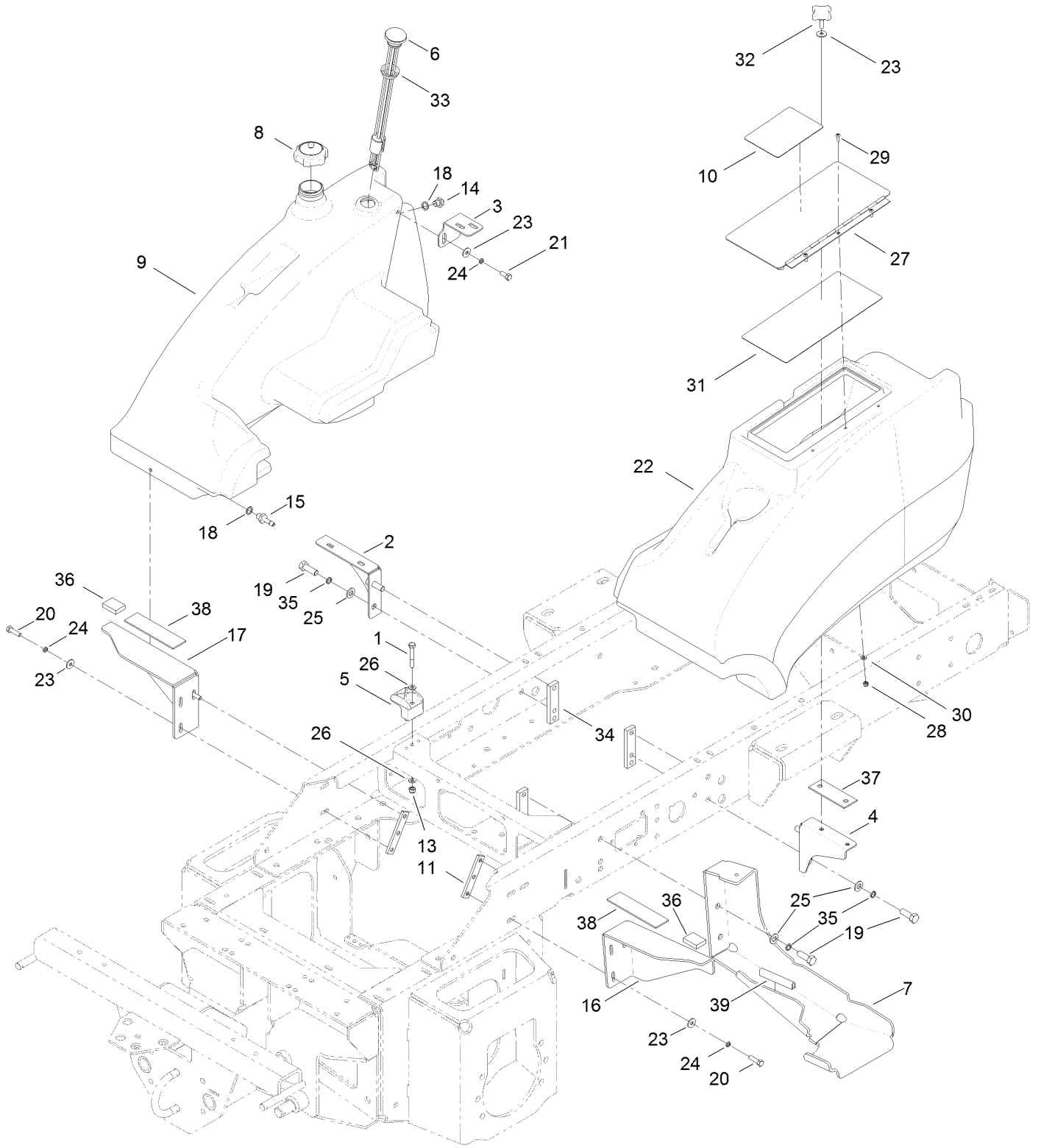
Roll-Over Protection System Assembly



Roll-Over Protection System Assembly (continued)

<i>Ref.</i>	<i>Part Number</i>	<i>Qty.</i>	<i>Description</i>	<i>Ref.</i>	<i>Part Number</i>	<i>Qty.</i>	<i>Description</i>
1	111-7250	1	ROPS ASM	1:2:1	111-3484	4	Screw-HH
1:1	111-7236	1	Hoop-Upper, ROPS	1:2:2	09456	4	Nut
1:1:1	956016	2	Nut-Hand	1:2:3	09491	8	Washer-Plain
1:1:2	ZBH1P100U	4	Bolt	1:2:4	HY09485	8	Washer-Plain
1:1:3	09491	6	Washer-Plain	1:2:5	ZDH1L040U	4	Screw-HH
1:1:4	09456	2	Nut	1:2:6	ZNN1L000U	4	Nut-Nyloc
1:2	111-7238	1	ROPS-Lower	2	111-0773	2	Decal

Fuel Tank and Storage Pod Assembly

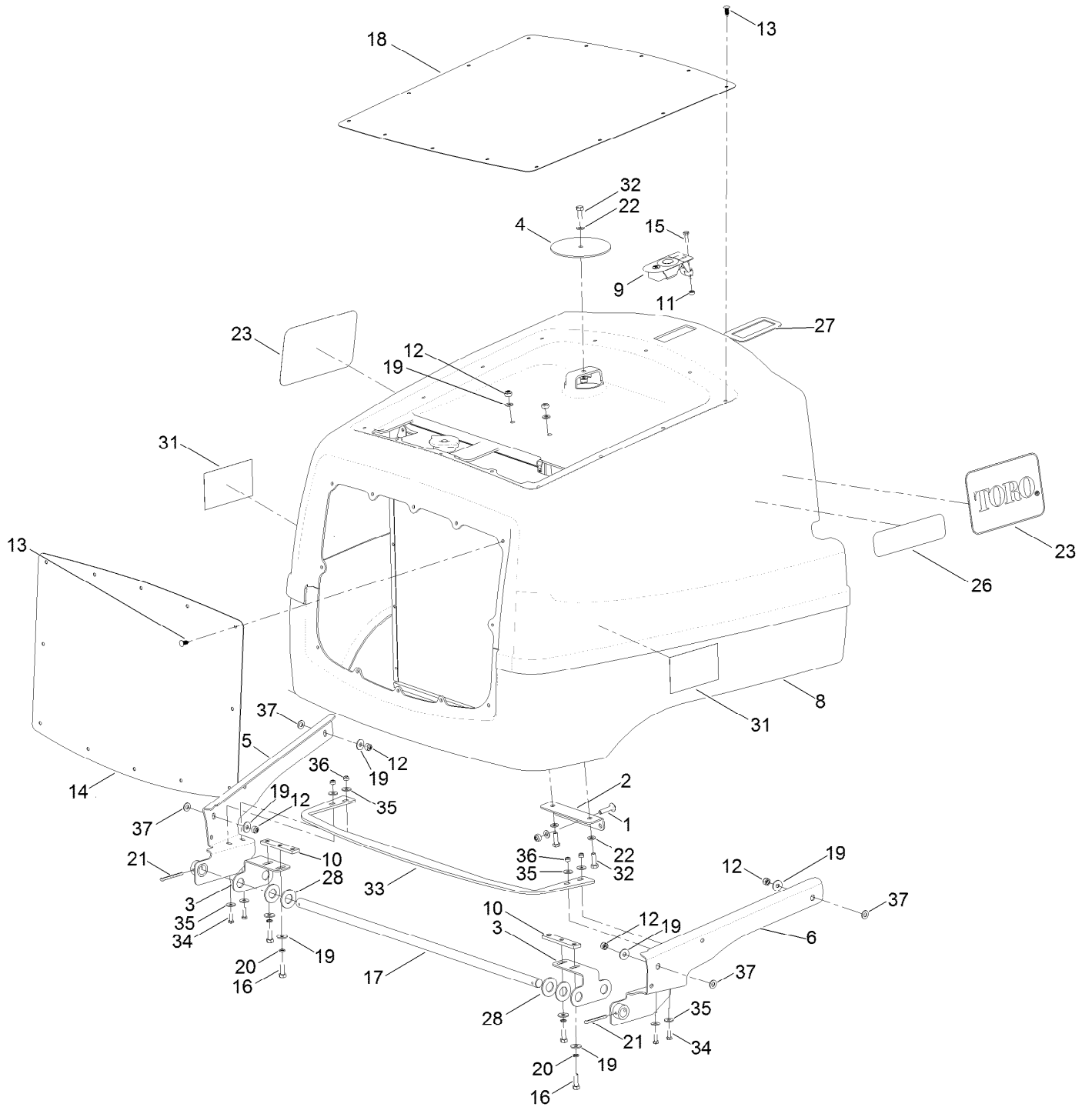


Fuel Tank and Storage Pod Assembly (continued)

<i>Ref.</i>	<i>Part Number</i>	<i>Qty.</i>	<i>Description</i>	<i>Ref.</i>	<i>Part Number</i>	<i>Qty.</i>	<i>Description</i>
1	09565	1	Screw-HH	22	111-3295	1	Pod-Storage
2	111-3452-03	1	Bracket-Fuel Tank	23	09267	9	Washer
3	111-3453-03	1	Bracket-Fuel Tank, Upper	24	03469	6	Washer-Spring
4	111-3424-03	1	Bracket-Storage Pod	25	HY09485	6	Washer-Plain
5	107-4543	1	Clamp	26	ZWP1H000U	2	Washer-Plain
6	104-5603	1	Gauge-Level, Fuel	27	111-7242-03	1	Cover-Storage
7	111-7306-01	1	Step-Foot, Rev	28	09430	3	Nut-Nyloc
8	111-3531	1	Cap-Fuel	29	111-3381	3	Screw-HSBH
9	111-3294	1	Tank-Fuel	30	09470	3	Washer
10	111-5007	1	Decal-Inclines, Warning	31	111-7249	1	Decal-Maintenance
11	111-3281	2	Bar-Nut	32	111-3666	3	Handwheel
13	09441	1	Nut-Hex, NI	33	95-8972	1	Grommet
14	910352	1	Pipe-Fuel, Return	34	111-4490	3	Bar-Nut
15	910351	1	Pipe-Suction, Fuel	35	09599	6	Washer-Lock
16	111-3454-03	1	Support-Platform, LH	36	111-5386	2	Pad-Rubber
17	111-3455-03	1	Support-Platform, RH	37	111-5388	1	Pad-Rubber, Storage Pod
18	111-3925	2	Washer-Fibre	38	HY910808	1	Strip-Neoprene
19	ZDH1L035U	6	Screw-HH	39	50-08-001	1	Edging-Rubber
20	09369	4	Screw-HH	99	70-07-067	1	Tape-Slip, Anti ●
21	09368	2	Screw-HH				

● Not illustrated

Hood Assembly

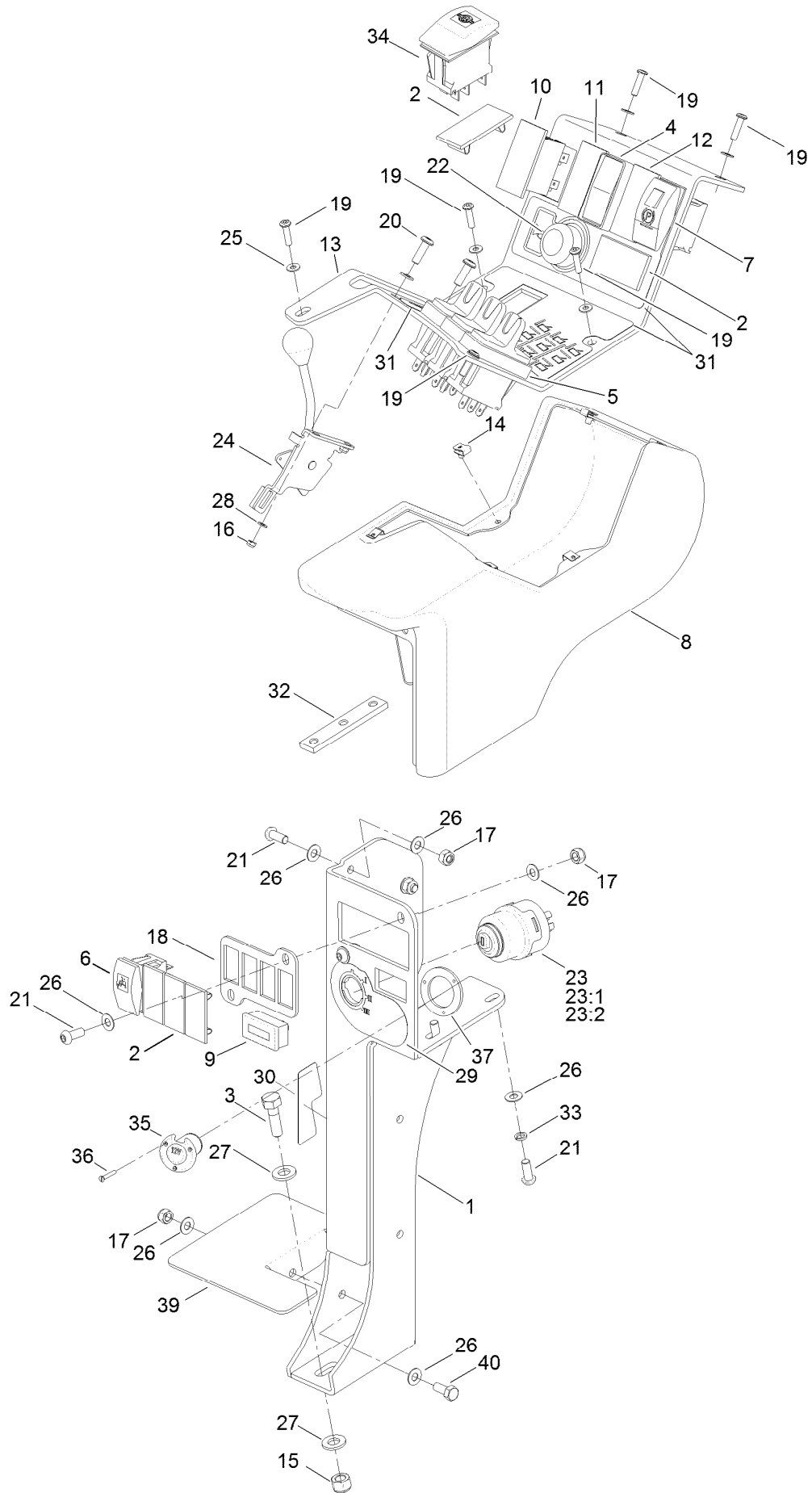


Hood Assembly (continued)

<i>Ref.</i>	<i>Part Number</i>	<i>Qty.</i>	<i>Description</i>	<i>Ref.</i>	<i>Part Number</i>	<i>Qty.</i>	<i>Description</i>
1	09369	1	Screw-HH	19	09267	11	Washer
2	111-2111-03	1	Bracket-Engine, Cover	20	03469	4	Washer-Spring
3	111-7483-03	2	Bracket, Hinge-Shaft	21	74-11-003	2	Pin-Split
4	111-3557-03	1	Cover-Air Intake	22	ZWP1H000U	4	Washer-Plain
5	111-3490-03	1	Hinge-Cover, Engine (LH)	23	111-3728	2	Decal
6	111-3491-03	1	Hinge-Cover, Engine (RH)	26	111-3984	2	Decal
8	111-6920	1	Cover-Engine	27	111-4158-03	1	Plate-Support, Latch
9	950831	1	Latch-Sealed, Lever	28	09499	4	Washer
10	111-3281	2	Bar-Nut	31	94-8099	2	Decal
11	09437	1	Nut	32	09368	3	Screw-HH
12	09441	8	Nut-Hex, NI	33	111-8236-03	1	Plate-Tie, Cover
13	117-2382	26	Plug-Plastic	34	09363	4	Screw-HH
14	111-6919-03	1	Screen-Rear	35	09262	8	Washer
15	09364	1	Screw-HH	36	09438	4	Nut-Nyloc
16	03162	4	Screw-HH	37	09475	4	Washer
17	111-7482	1	Shaft-Hinge, Cover	99	111-7488	5	Seal-Cover, Screen ●
18	111-6918-03	1	Screen-Top				

● Not illustrated

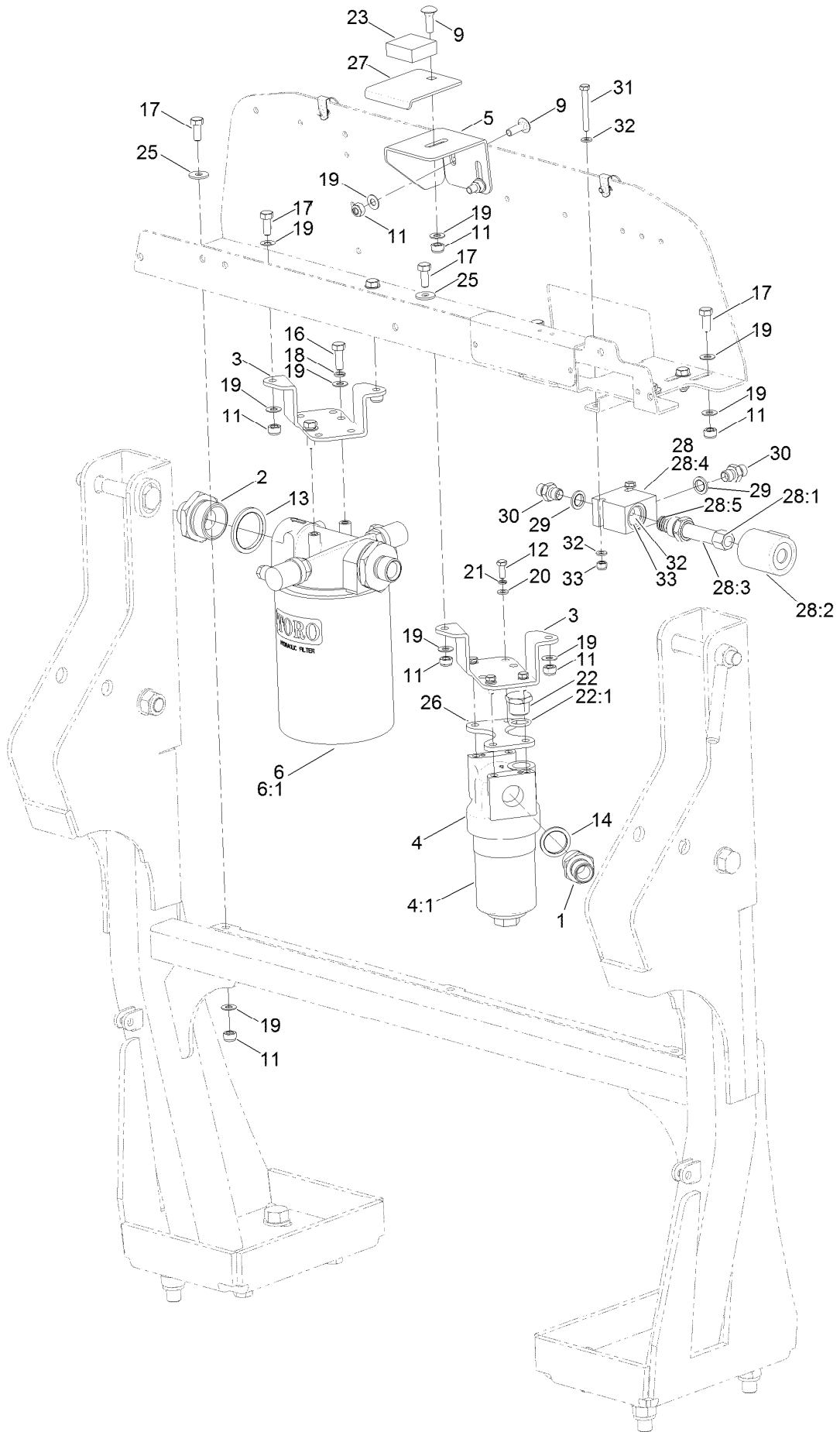
Control Panel Assembly



Control Panel Assembly (continued)

<i>Ref.</i>	<i>Part Number</i>	<i>Qty.</i>	<i>Description</i>	<i>Ref.</i>	<i>Part Number</i>	<i>Qty.</i>	<i>Description</i>
1	111-5166-03	1	Control Arm ASM	22	924618	1	Switch-Horn, Push
2	111-2337	4	Blank-Switch	23	74-09-009	1	Switch-Ignition
3	09394	2	Bolt	23:1	74-09-017	1	Key-Ignition
4	111-2253	1	Switch-Cutters	23:2	74-09-010	1	Switch-Cover
5	111-2956	3	Switch-Lift	24	111-7090	1	Cable-Throttle
6	111-2451	1	Switch-Limited Lift Reverse	25	09658	6	Washer
7	111-2254	1	Switch-Carling, Parking Brake On-None-On	26	09475	12	Washer
8	111-3004	1	Pod-Control	27	HY09485	4	Washer-Plain
9	111-3362	1	Meter-Hour	28	09470	4	Washer
10	111-2333	1	Indicator-Illuminated	29	111-3344	1	Decal-Switch, Ignition
11	111-2334	1	Indicator-Illuminated	30	111-3658	1	Decal-Latch, Cutterhead
12	111-3026	1	Indicator-Illuminated	31	111-3277	1	Decal-Lift Switches And Engine Control
13	111-2963-03	1	Instrument-Panel	32	111-3281	1	Bar-Nut
14	111-3079	6	U-Nut	33	03469	2	Washer-Spring
15	09447	2	Nut	34	111-8021	1	Switch, Lock-Diff
16	09430	2	Nut-Nyloc	35	111-2888	1	Socket-12V
17	09441	5	Nut-Hex, NI	36	111-3539	3	Screw-Slot, Countersunk
18	111-3361-03	1	Plate-Switch	37	111-6026	1	Bracket-Securing
19	111-3473	6	Screw-Button Head	39	111-5239-03	1	Plate-Filler
20	111-3381	2	Screw-HSBH	40	09368	1	Screw-HH
21	ZHS1H020U	6	Screw-HSBH				

Filter Assembly

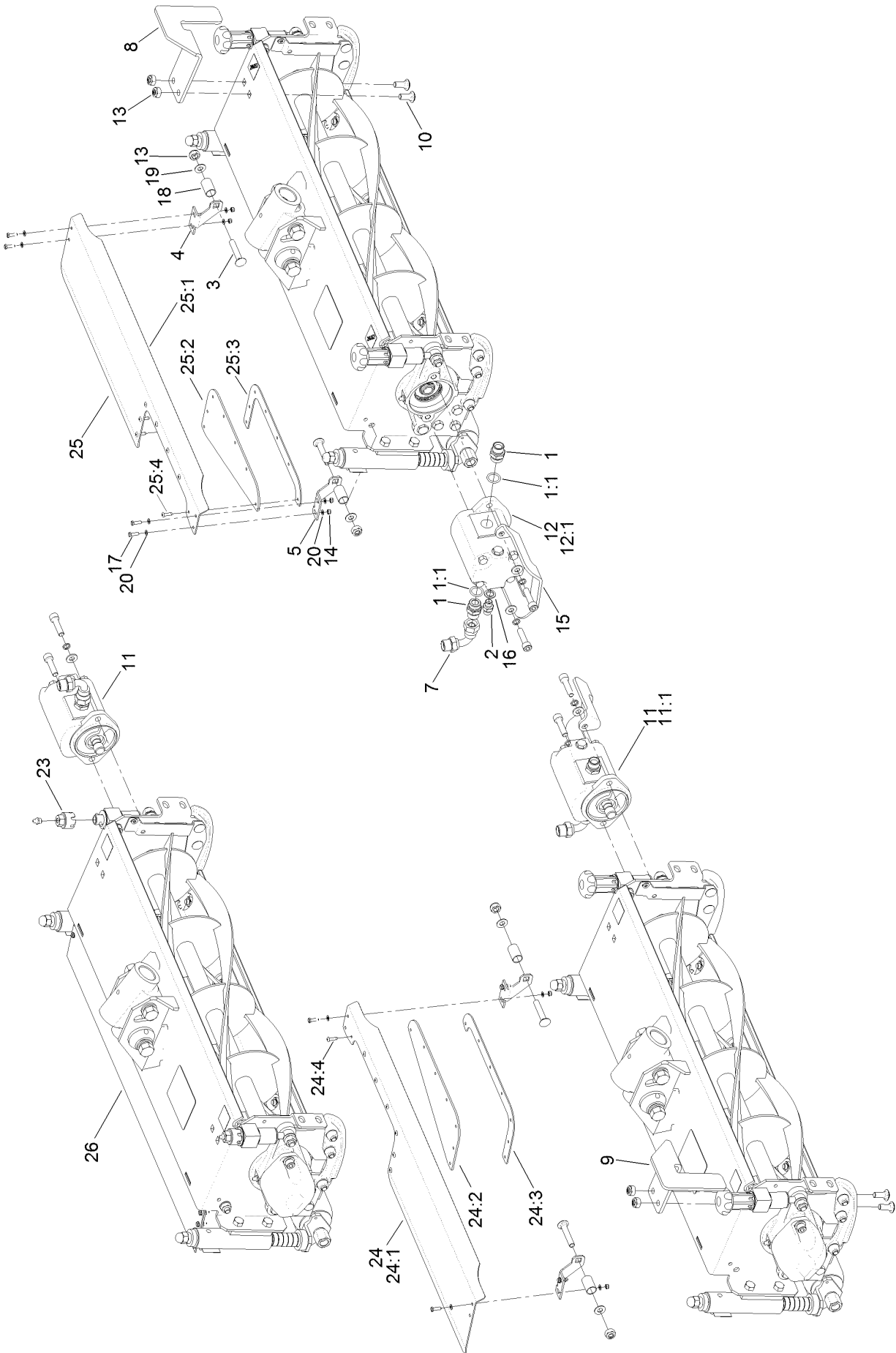


Filter Assembly (continued)

<i>Ref.</i>	<i>Part Number</i>	<i>Qty.</i>	<i>Description</i>	<i>Ref.</i>	<i>Part Number</i>	<i>Qty.</i>	<i>Description</i>
1	09-06-201	1	Adaptor	22	111-3926	1	Plug
2	25-06-050	2	Adaptor	22:1	63-06-111	1	Seal-O Ring
3	111-3485-03	2	Bracket-Filter, Oil	23	488023	1	Pad-Foam, Short
4	924708	1	Pressure Filter ASM	25	09267	3	Washer
4:1	924709	1	Element-Filter, Pressure	26	111-4843-03	1	Spacer-Oil Filter
4:2	924710	1	Indicator-Filter, Pressure ●	27	111-6096-03	1	Plate-Latch, Bonnet
5	111-6095-03	1	Plate-Latch, Bulkhead	28	111-6777	1	Manifold-Relief, Motor
6	111-7508	1	Filter-Return ASM	28:1	110-2635	1	Nut-Coil
6:1	924692	1	Element-Filter	28:2	111-5625	1	Coil-Solenoid
9	09373	3	Bolt-Coach	28:3	111-6838	1	Valva-Solenoid, Internal Relief
11	09441	12	Nut-Hex, NI	28:4	111-6839	1	Line Body
12	09362	4	Screw-HH	28:5	110-6316	1	Seal Kit
13	10-06-035	2	Seal-Dowty	29	10-06-030	2	Seal-Dowty
14	10-06-033	2	Seal-Dowty	30	10-06-085	2	Adaptor
16	03162	2	Screw-HH	31	ZDH1F050U	2	Setscrew
17	09368	7	Screw-HH	32	09472	4	Washer-Plain
18	03469	2	Washer-Spring	33	09544	2	Nut-Nyloc
19	09475	18	Washer	34	994626	1	Adaptor-Bspp ●
20	09472	4	Washer-Plain				
21	09474	4	Washer-Spring				

● Not illustrated

Cutter Component Assembly

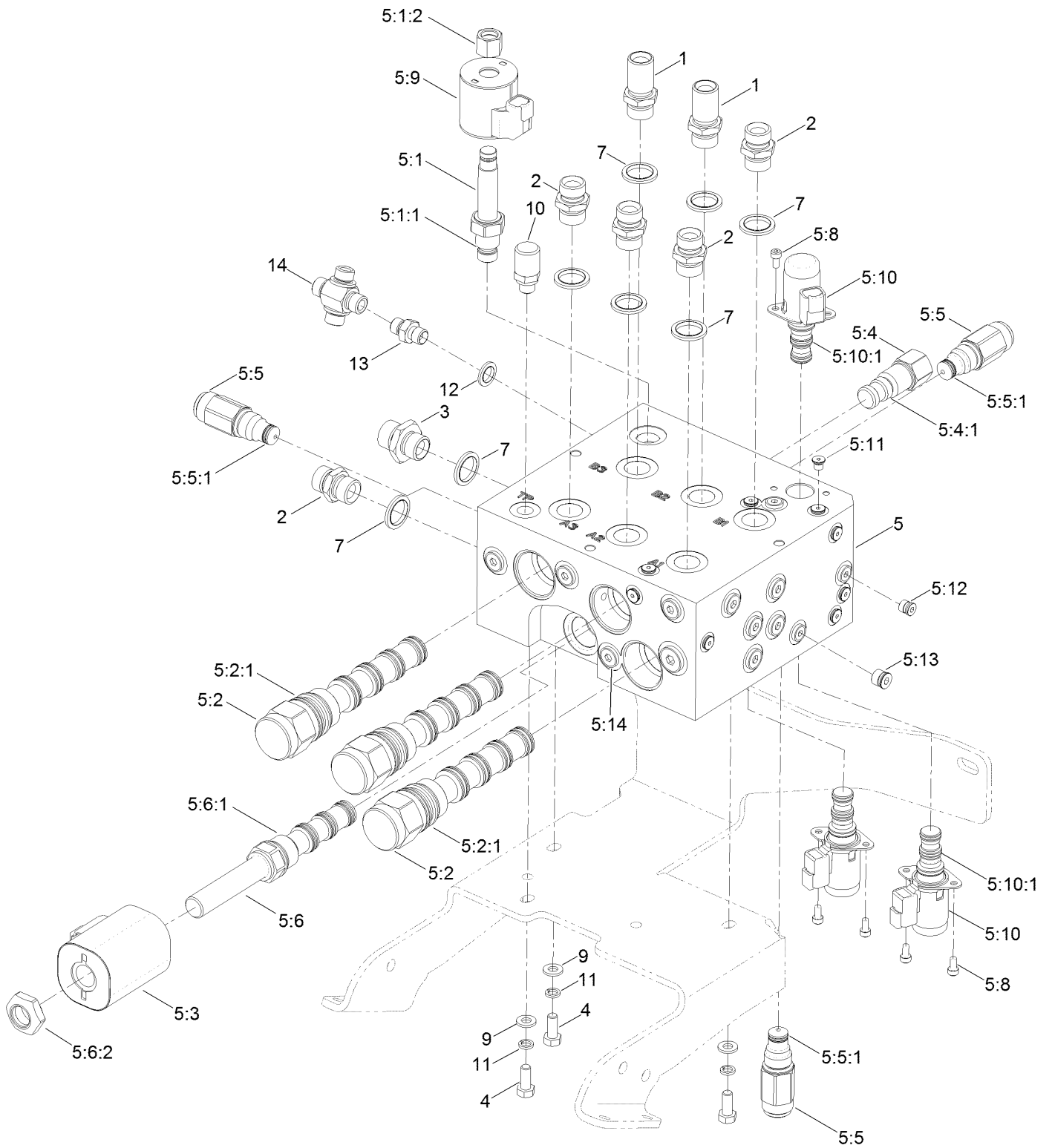


Cutter Component Assembly (continued)

<i>Ref.</i>	<i>Part Number</i>	<i>Qty.</i>	<i>Description</i>	<i>Ref.</i>	<i>Part Number</i>	<i>Qty.</i>	<i>Description</i>
1	63-06-104	6	Adaptor-Bsp	16	10-06-030	3	Seal-Dowty
1:1	63-06-111	1	Seal-O Ring	17	ZDH1E016U	12	Screw-HH
2	10-06-085	3	Adaptor	18	876049	6	Spacer-Deflector
3	ZBK1J055U	6	Bolt-CARR	19	09479	30	Washer-Plain
4	876041	3	Bracket-Deflector, LH	20	09470	24	Washer
5	876042	3	Bracket-Deflector, RH	21	HY922101	1	Spanner-Adjuster, Cutterhead ●
7	25-06-066	3	Elbow-Bsp	23	111-3927	2	Boss-Adjuster
8	876086W	1	Guard-HOC, LH	24	111-7649	1	Shield ASM
9	876087W	1	Guard-HOC, RH	24:1	111-7265-03	1	Deflector-Grass, Cutter RH
10	15-11-003	4	Bolt-CARR	24:2	111-6870	1	Panel-Rubber
11	111-7445	2	HYD CW Motor ASM	24:3	111-6871-03	1	Retainer
11:1	111-8146	1	Seal Kit	24:4	09320	7	Rivet
11:2	107-7821	1	Valve-Anticavitation ●	25	111-7648	1	Shield ASM
12	111-7446	1	HYD CCW Motor ASM	25:1	111-7266-03	1	Deflector-Grass, Cutter LH
12:1	111-8146	1	Seal Kit	25:2	111-6870	1	Panel-Rubber
12:2	107-7821	1	Valve-Anticavitation ●	25:3	111-6871-03	1	Retainer
13	ZNN1J000U	10	Nut-Hex, NI	25:4	09320	7	Rivet
14	09430	12	Nut-Nyloc	26	876040W	1	Deflector-Rear
15	111-7462-03	2	Guard, Motor				

● Not illustrated

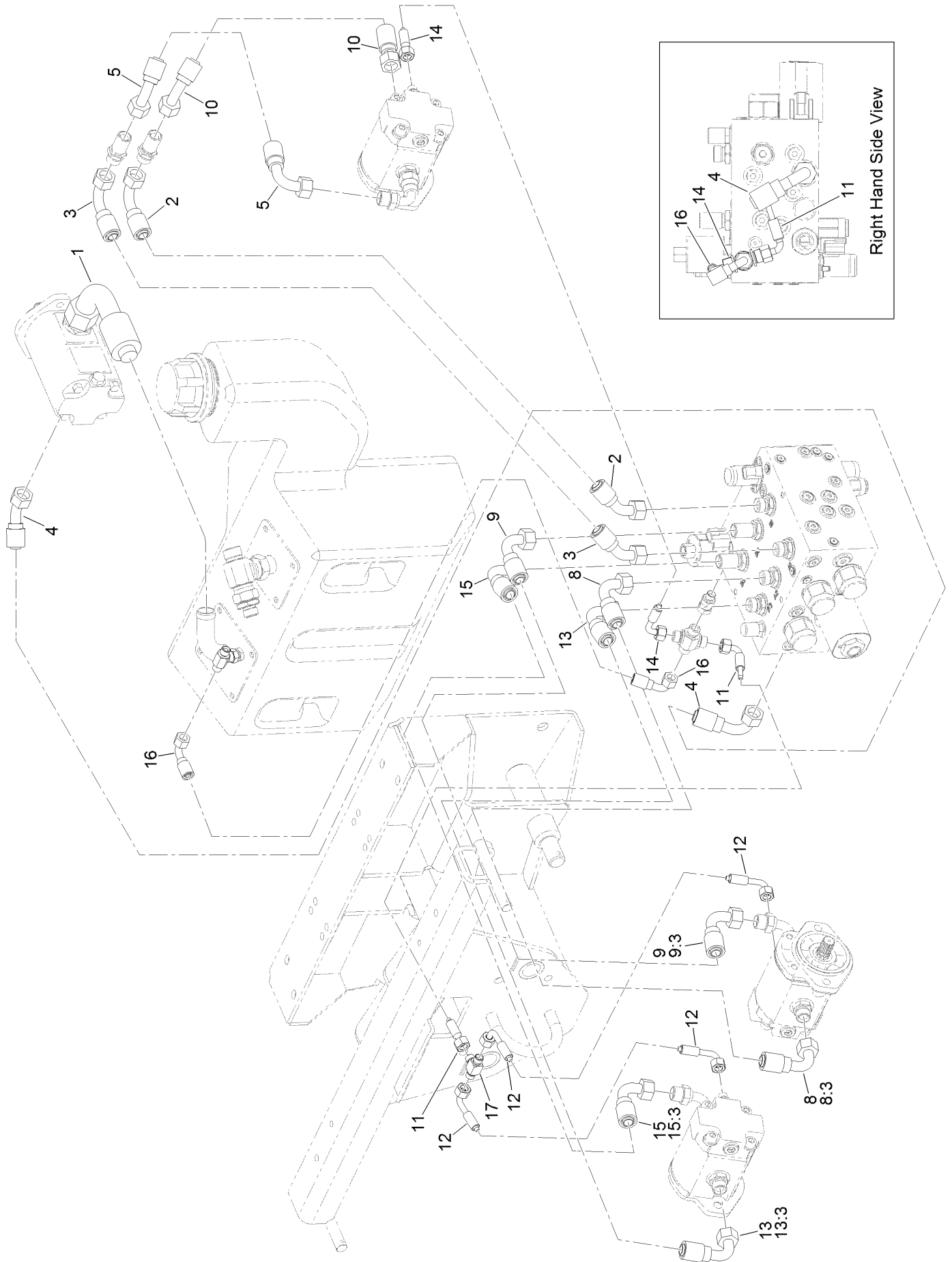
Cutter Control Manifold Assembly



Cutter Control Manifold Assembly (continued)

<i>Ref.</i>	<i>Part Number</i>	<i>Qty.</i>	<i>Description</i>	<i>Ref.</i>	<i>Part Number</i>	<i>Qty.</i>	<i>Description</i>
1	09-06-216	2	Adaptor-Bulkhead	5:6:1	111-6836	1	Seal Kit
2	10-06-078	5	Adaptor-Bspp	5:6:2	111-6840	1	Coil-Nut
3	950726	1	Adaptor-Bsp, 1/2 Inch	5:8	115-8733	6	Screw -HSH
4	09368	3	Screw-HH	5:9	119-4619	1	Coil-Solenoid
5	111-6597	1	Cutters Manifold ASM	5:10	125-7554	3	Valve-Solenoid, 12 Vdc
5:1	111-6825	1	Pressure-Proportional, Relief Valve	5:10:1	125-7561	1	Seal Kit
5:1:1	111-6826	1	Seal Kit	5:11	106-1024	14	Plug-Leak, Zero
5:1:2	119-2160	1	Nut-Coil	5:12	106-1025	5	Plug-HYD
5:2	111-6829	3	Valve-Spool, Piloted	5:13	106-1026	14	Plug-HYD
5:2:1	111-6830	1	Seal Kit	5:14	106-1027	2	Plug-HYD
5:3	111-6831	1	Coil-12V	7	10-06-032	8	Seal-Dowty
5:4	111-6832	1	Logic Element-Vented	9	ZWP1H000U	3	Washer-Plain
5:4:1	111-6827	1	Seal Kit	10	910615	1	Test Point-Bspp
5:5	111-6833	3	Relief Valve	11	03469	3	Washer-Spring
5:5:1	111-6828	1	Seal Kit	12	10-06-030	1	Seal-Dowty
5:6	111-6835	1	Valve-Solenoid	13	950733	1	Adaptor 1/4" M/Sf Bspp
				14	65-06-013	1	Cross

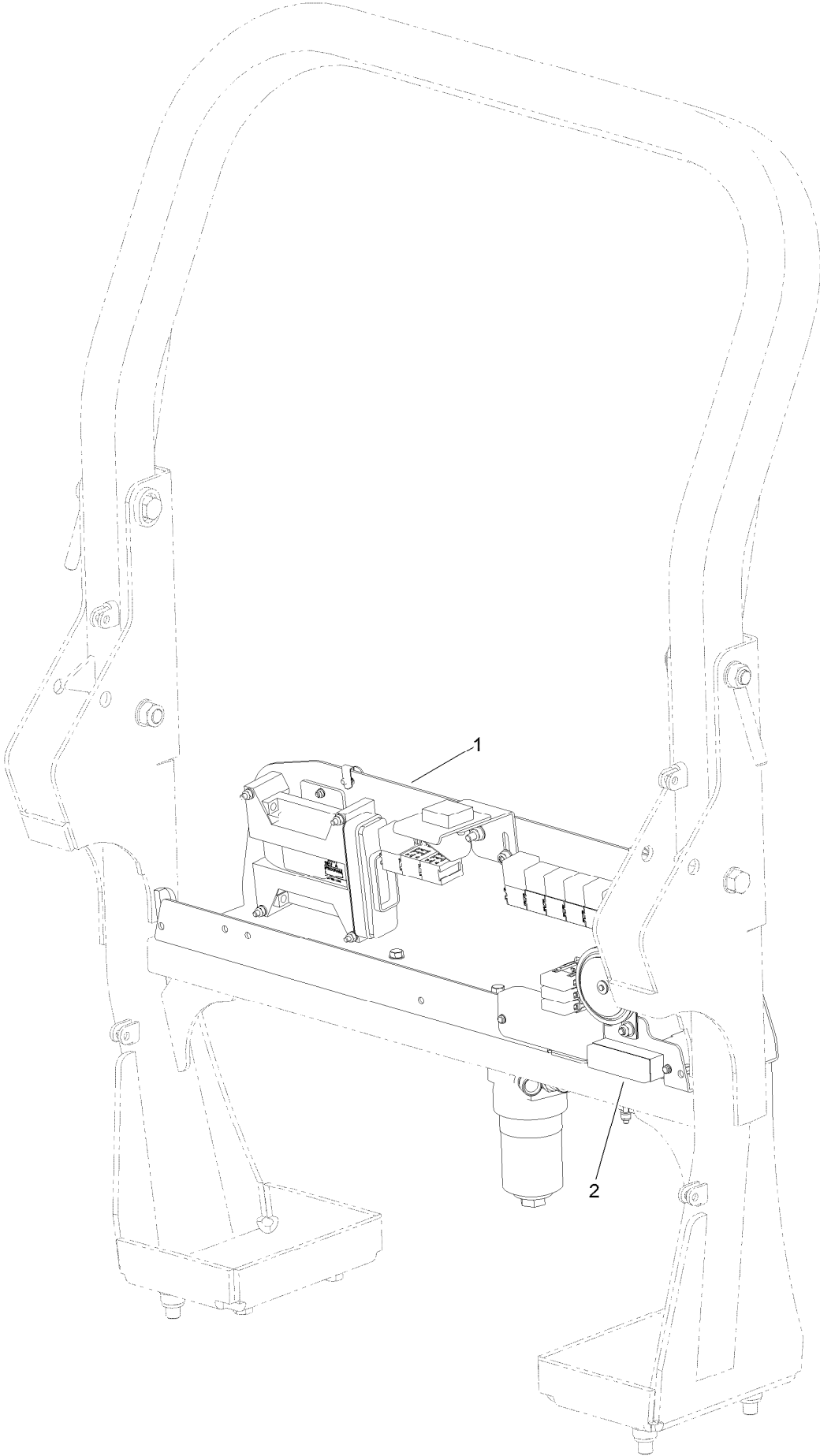
Cutter Hydraulic Circuit Assembly



Cutter Hydraulic Circuit Assembly (continued)

<i>Ref.</i>	<i>Part Number</i>	<i>Qty.</i>	<i>Description</i>	<i>Ref.</i>	<i>Part Number</i>	<i>Qty.</i>	<i>Description</i>
1	111-4484	1	Hose	11	111-8075	1	Hose
2	111-6766	1	Hose	12	111-8074	2	Hose
3	111-6767	1	Hose	13	111-8070	1	Hose
4	111-6768	1	Hose	13:3	07809	1	Sock-Hose
5	111-6769	1	Hose	14	111-8076	1	Hose
8	111-8072	1	Hose	15	111-8071	1	Hose
8:3	07809	1	Sock-Hose	15:3	07809	2	Sock-Hose
9	111-8073	1	Hose	16	111-6773	1	Hose
9:3	07809	2	Sock-Hose	17	30-06-201	1	Tee
10	111-6772	1	Hose				

Loom Kit

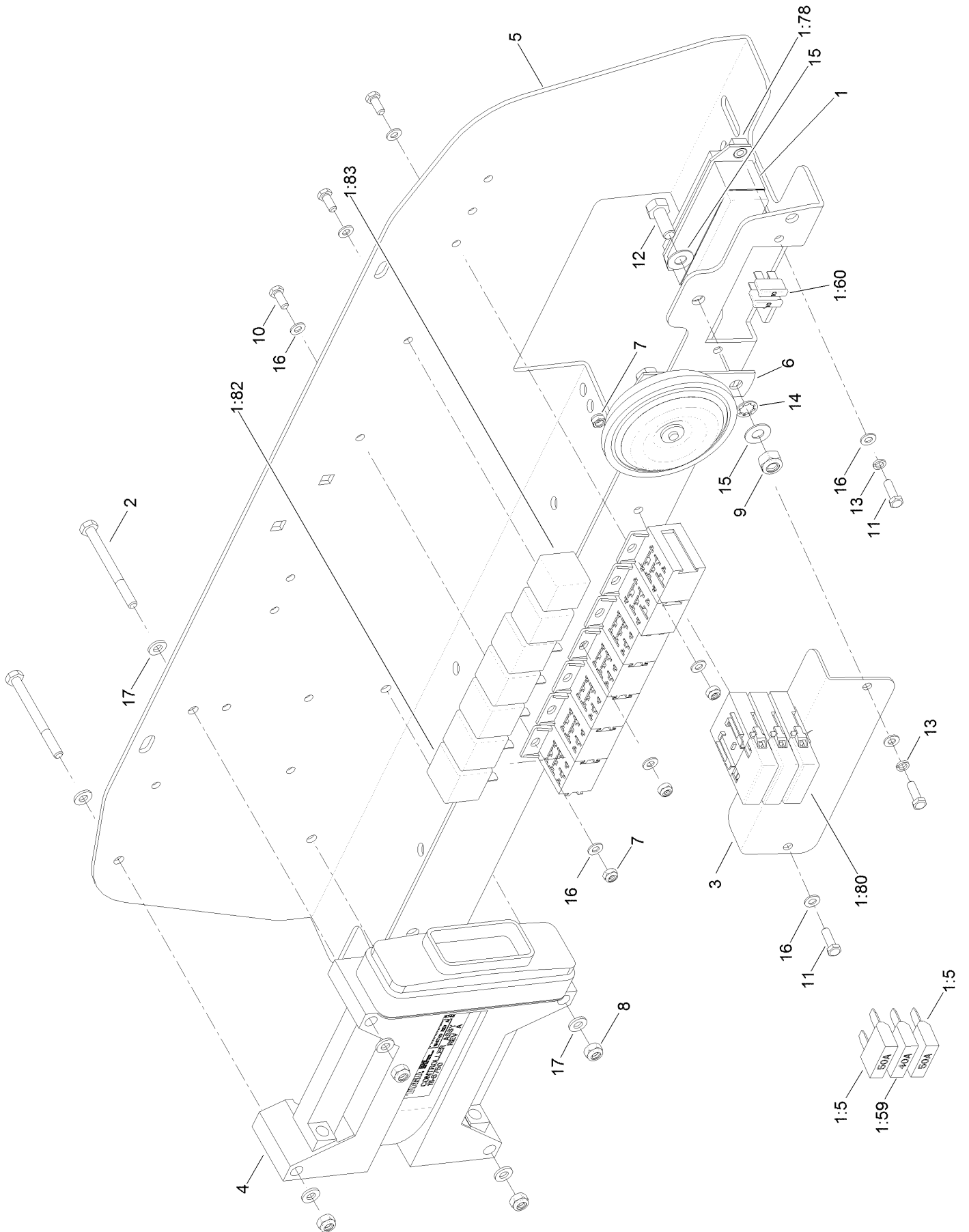


Loom Kit (continued)

<i>Ref.</i>	<i>Part Number</i>	<i>Qty.</i>	<i>Description</i>
1	111-6820	1	Loom Kit
2	70-09-151	1	Fuse-15A
99	HY3966	30	Tie-Cable ●

● Not illustrated

Loom Assembly No. 111-6820

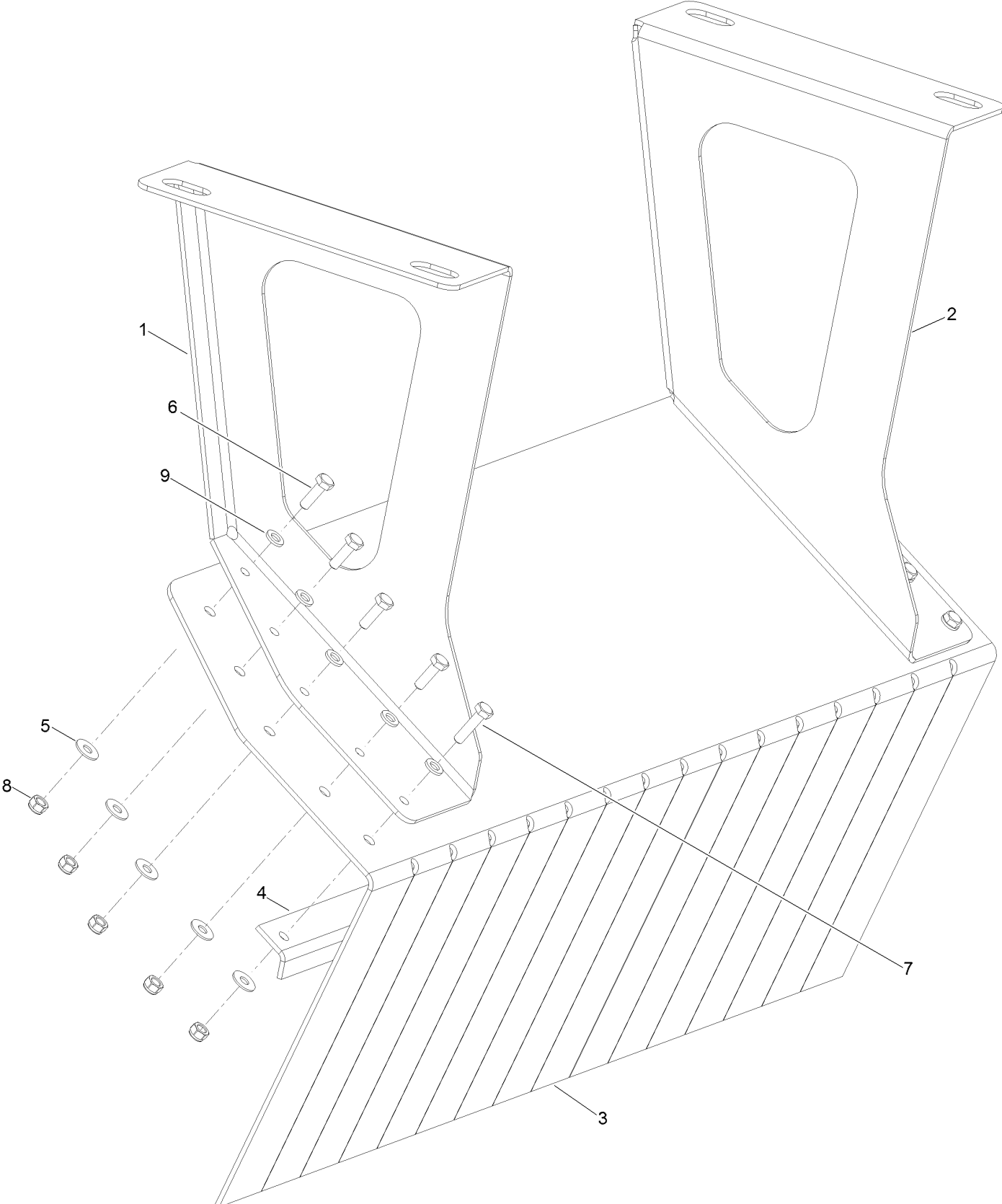


Loom Assembly No. 111-6820 (continued)

<i>Ref.</i>	<i>Part Number</i>	<i>Qty.</i>	<i>Description</i>	<i>Ref.</i>	<i>Part Number</i>	<i>Qty.</i>	<i>Description</i>
1	111-6461	1	Harness-Main	8	09438	4	Nut-Nyloc
1:5	995714	2	Fuse-50A, Maxifuse	9	09441	1	Nut-Hex, NI
1:59	111-2898	1	Fuse-40A, Maxifuse	10	ZDH1E012U	3	Screw-HH
1:60	70-09-026	3	Fuse-10A	11	ZDH1E016U	3	Screw-HH
1:78	70-09-096	1	Fuse Box-8 Way	12	09368	1	Screw-HH
1:80	111-0302	3	Cover-Maxifuse	13	09644	2	Washer-Spring
1:82	924625	2	Relay-70A	14	09476	2	Washer-Shakeproof
1:83	111-0336	5	Relay-30A	15	09475	2	Washer
2	09703	4	Bolt-HH	16	09470	10	Washer
3	111-4842-03	1	Bracket-Fuse	17	09472	8	Washer-Plain
4	111-6750	1	Controller ASM	99	111-3663	1	Heat Shrink ●
5	111-3037-03	1	Plate-Base, Electrical	99	111-6745	1	Harness-Manifold, Cutters ●
6	70-09-108	1	Horn ASM	99	111-6751	1	Harness-Solenoid, Reverse ●
7	09430	4	Nut-Nyloc				

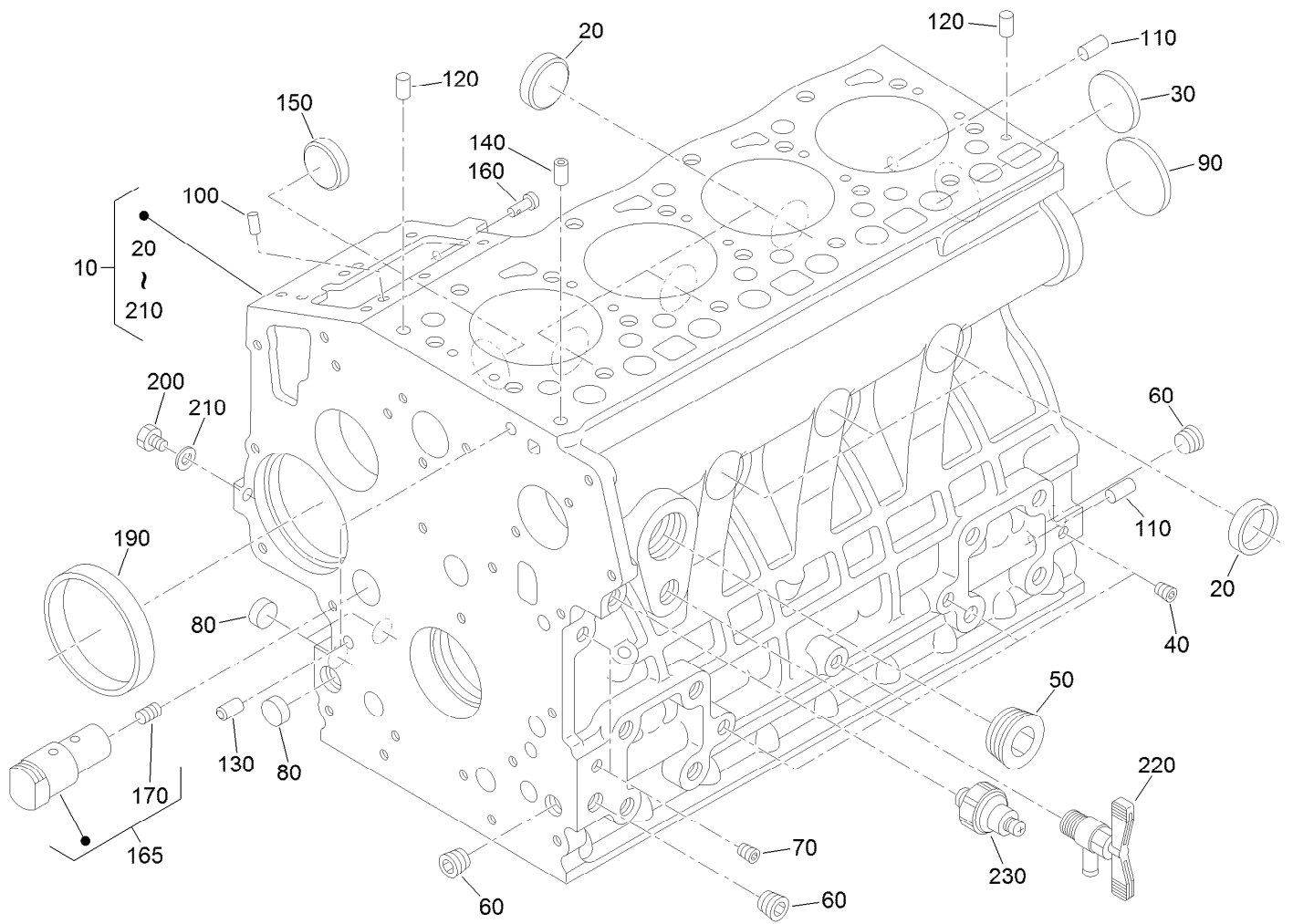
● Not illustrated

Center Flap Kit



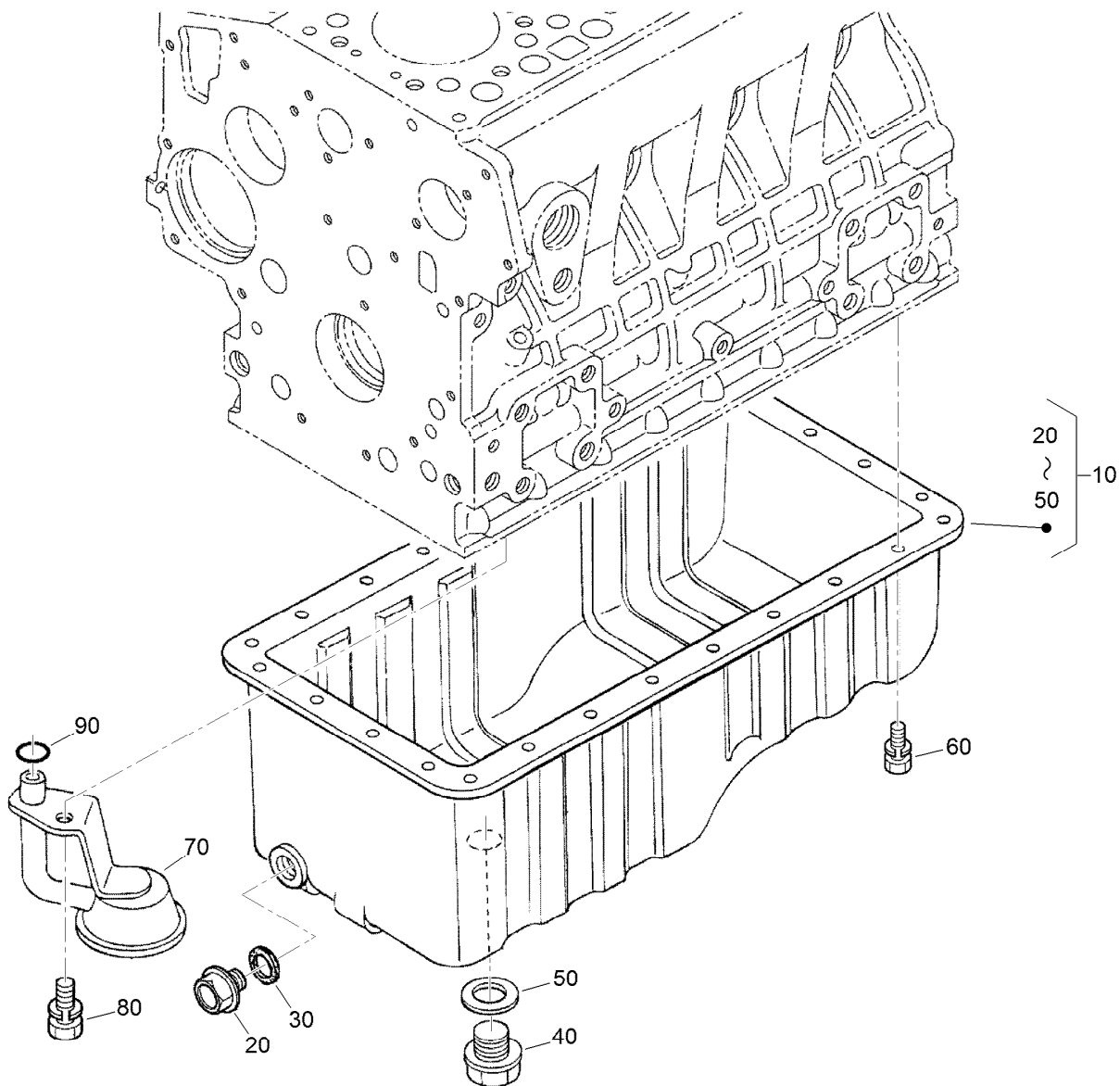
Center Flap Kit (continued)

<i>Ref.</i>	<i>Part Number</i>	<i>Qty.</i>	<i>Description</i>	<i>Ref.</i>	<i>Part Number</i>	<i>Qty.</i>	<i>Description</i>
1	111-6171-03	1	Mount-Flap, LH	6	09363	8	Screw-HH
2	111-6172-03	1	Mount-Flap, RH	7	09364	2	Screw-HH
3	111-6173	1	Deflector-Chassis, Wide	8	09438	10	Nut-Nyloc
4	111-7477-03	1	Strap, Deflector-Chassis	9	09472	12	Washer-Plain
5	09262	8	Washer				



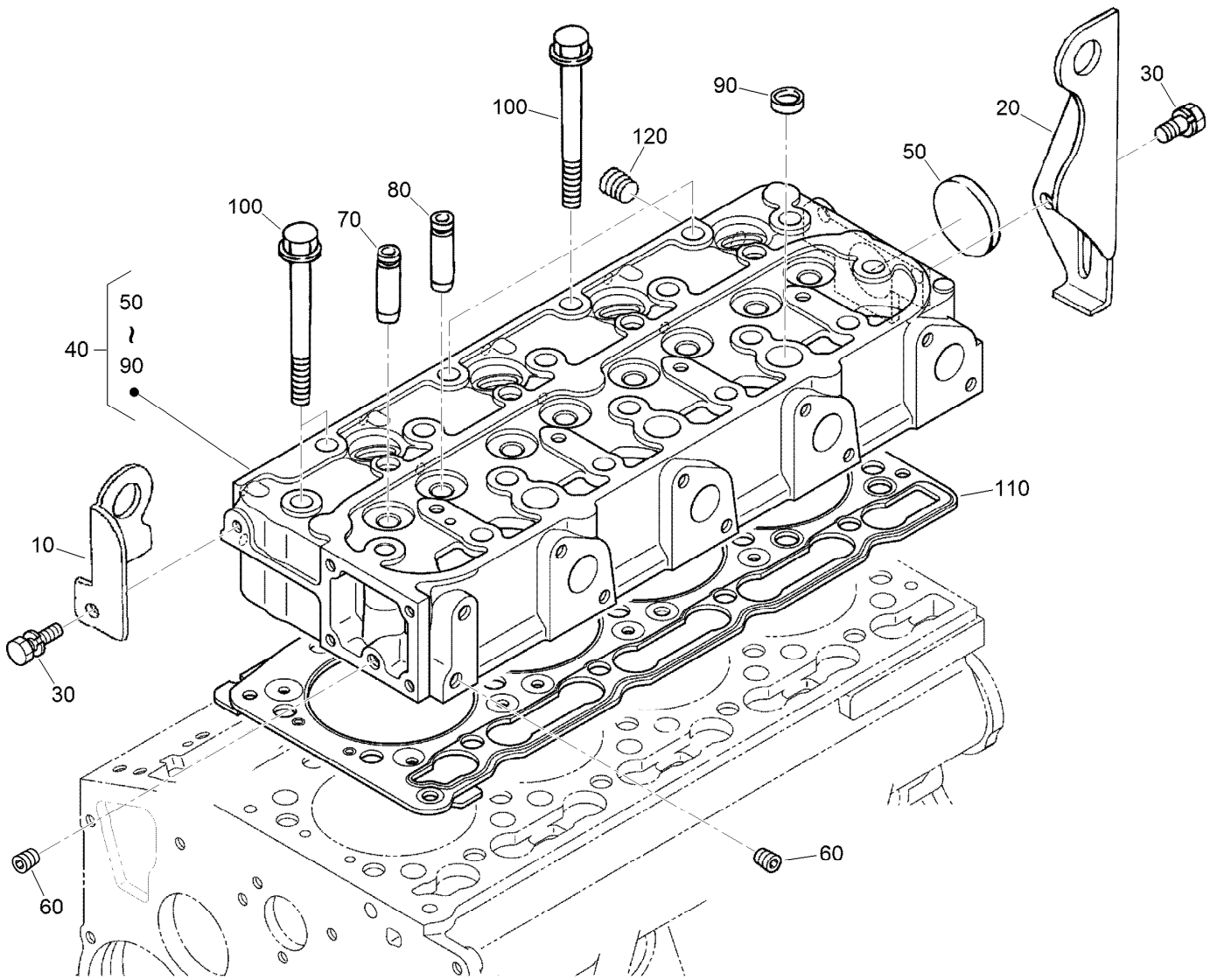
Crankcase Assembly

<i>Ref.</i>	<i>Part Number</i>	<i>Qty.</i>	<i>Description</i>	<i>Ref.</i>	<i>Part Number</i>	<i>Qty.</i>	<i>Description</i>
10	120-2558	1	Crankcase ASM	130	98-9387	2	Pin-Pipe
20	98-9398	6	Cap-Sealing	140	98-9539	1	Pin-Pipe
30	98-7539	1	Cap-Sealing	150	98-9599	1	Plug
40	98-9687	4	Plug	160	105-3796	1	Pin-Spring, Start
50	105-3779	1	Plug	165	130-1237	1	Idler Shaft ASM
60	98-9597	3	Plug	170	98-9675	1	Plug
70	98-7487	2	Plug	190	98-9656	1	Bushing-Governor, Gear
80	98-9379	3	Plug-Expansion	200	120-2559	1	Plug
90	98-9668	1	Plug-Expansion	210	98-7428	1	Gasket
100	98-9375	2	Pin-Straight	220	120-3121	1	Draincock ASM
110	98-9377	2	Pin-Straight	230	98-7764	1	Switch-Oil
120	98-9376	2	Pin-Straight				



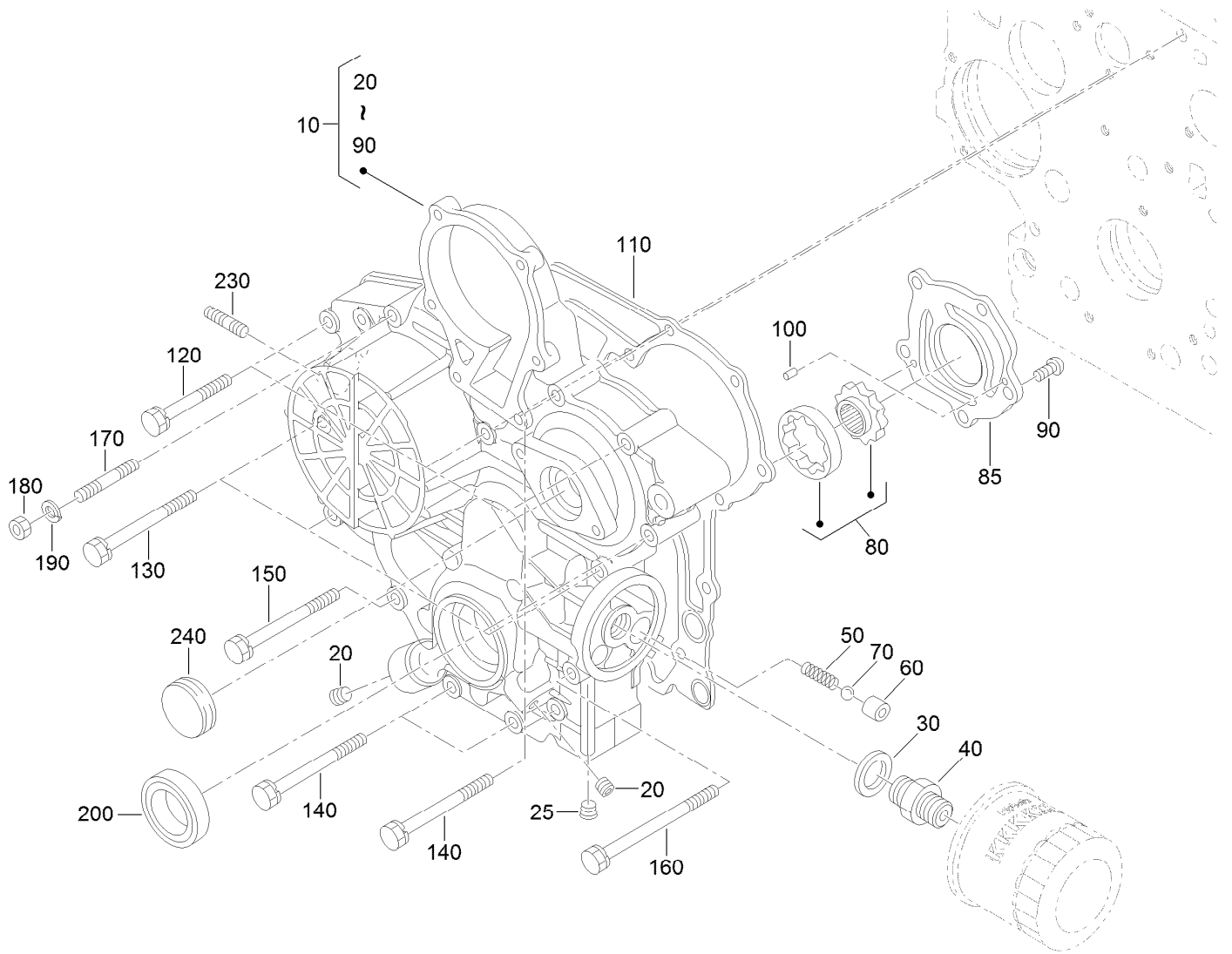
Oil Pan and Oil Pump Assembly

Ref.	Part Number	Qty.	Description
10	130-1283	1	Oil Pan Kit
20	114-8151	1	Plug-Drain
30	98-7524	1	Gasket
40	105-3703	1	Plug-Drain
50	110-9715	1	Gasket-Pan, Oil
60	98-9351	26	Bolt
70	115-4116	1	Filter-Oil
80	98-7526	1	Bolt
90	105-3776	1	O-Ring



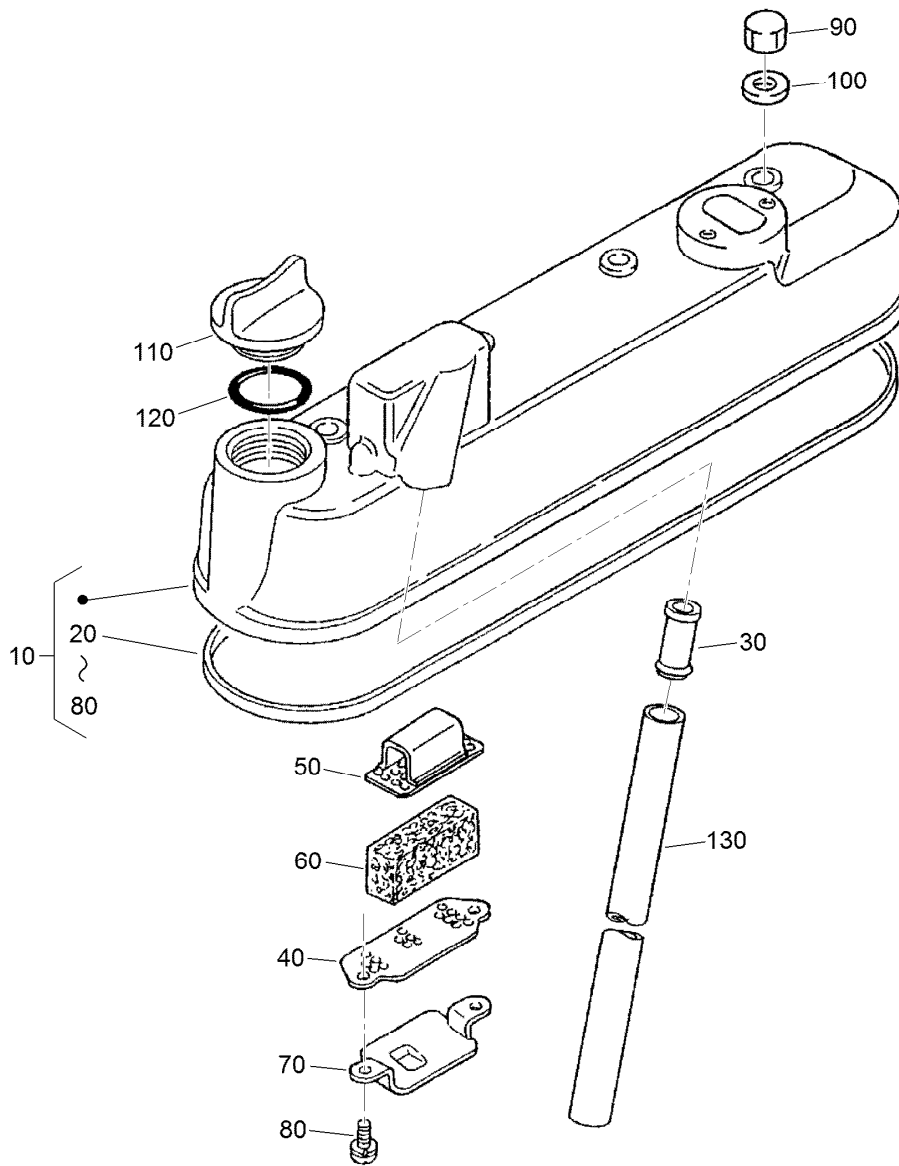
Cylinder Head Assembly

Ref.	Part Number	Qty.	Description
10	130-1231	1	Hook-Engine
20	98-9478	1	Hook-Engine
30	100-9195	2	Bolt
40	130-1382	1	Cylinder Head ASM
50	105-3705	1	Cap-Sealing
60	98-9687	2	Plug
70	107-9066	4	Guide-Valve, Inlet
80	107-9067	4	Guide-Valve, Exhaust
90	98-9389	3	Cap-Sealing
100	98-9479	18	Bolt-Head, Cylinder
110	127-0434	1	Gasket-Head, Cylinder
120	98-9444	1	Plug



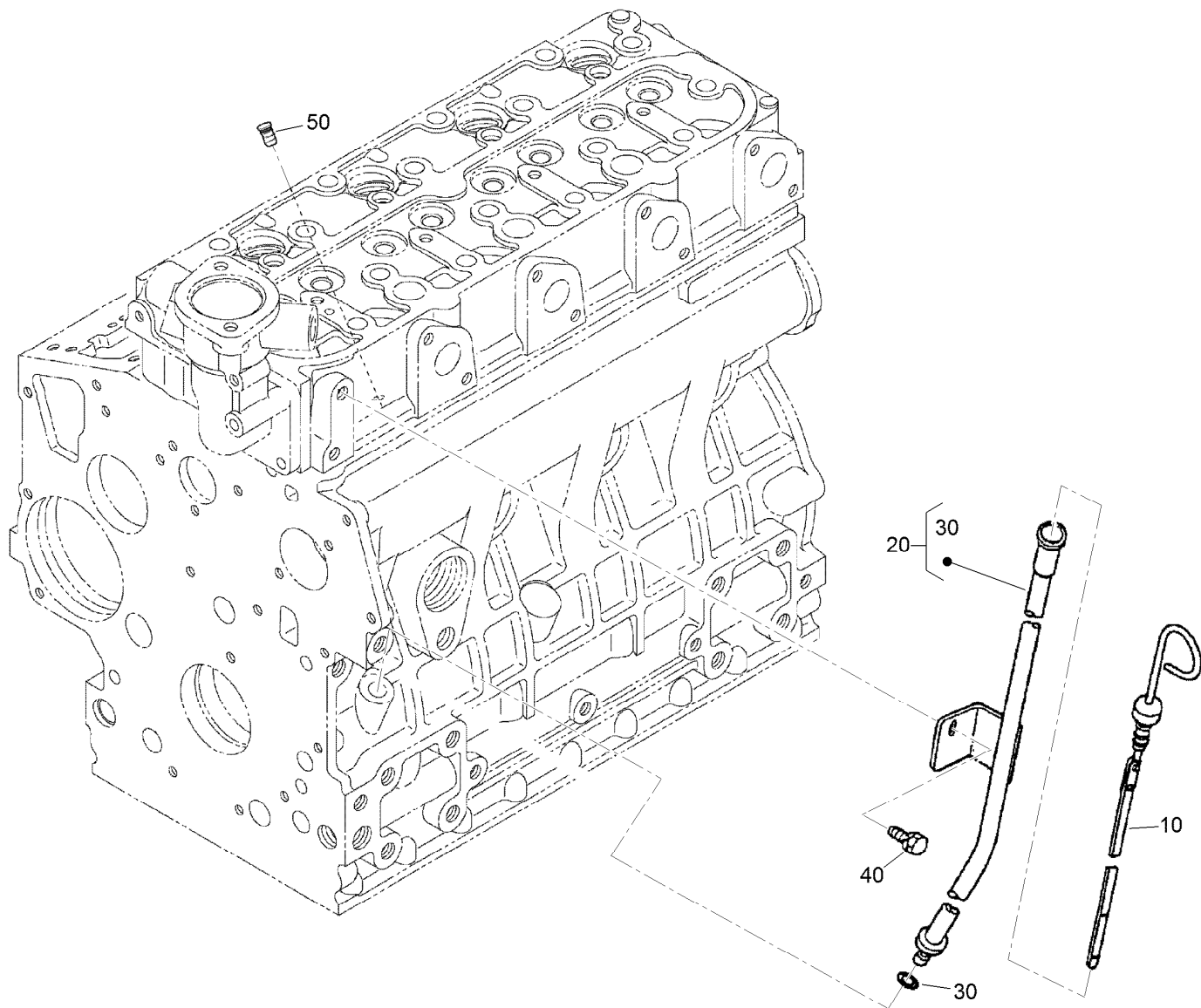
Gear Case and Oil Filter Cartridge Assembly

<i>Ref.</i>	<i>Part Number</i>	<i>Qty.</i>	<i>Description</i>	<i>Ref.</i>	<i>Part Number</i>	<i>Qty.</i>	<i>Description</i>
10	130-1243	1	Gear Case ASM	110	98-9633	1	Gasket-Case, Gear
20	98-9598	2	Plug	120	100-1765	3	Bolt
25	108-3841	1	Filter-Oil	130	125-9063	4	Bolt-Sems
25	98-7487	1	Plug	140	98-9356	4	Bolt
30	98-7562	1	Washer-Plain	150	107-9074	1	Bolt
40	98-9388	1	Joint-Pipe	160	98-9586	1	Bolt
50	130-1511	1	Spring	170	105-3709	1	Stud
60	130-1510	1	Valve-Relief	180	100-2203	1	Nut-Flange
70	98-9380	1	Ball	190	98-7699	1	Washer-Spring
80	130-1508	1	Rotor ASM	200	119-8038	1	Seal-Oil
85	130-1509	1	Cover-Pump, Oil	230	105-3710	2	Stud
90	130-1164	5	Screw-Binding	240	98-9641	1	Cover-Case, Gear
100	107-9072	2	Pin-Straight				



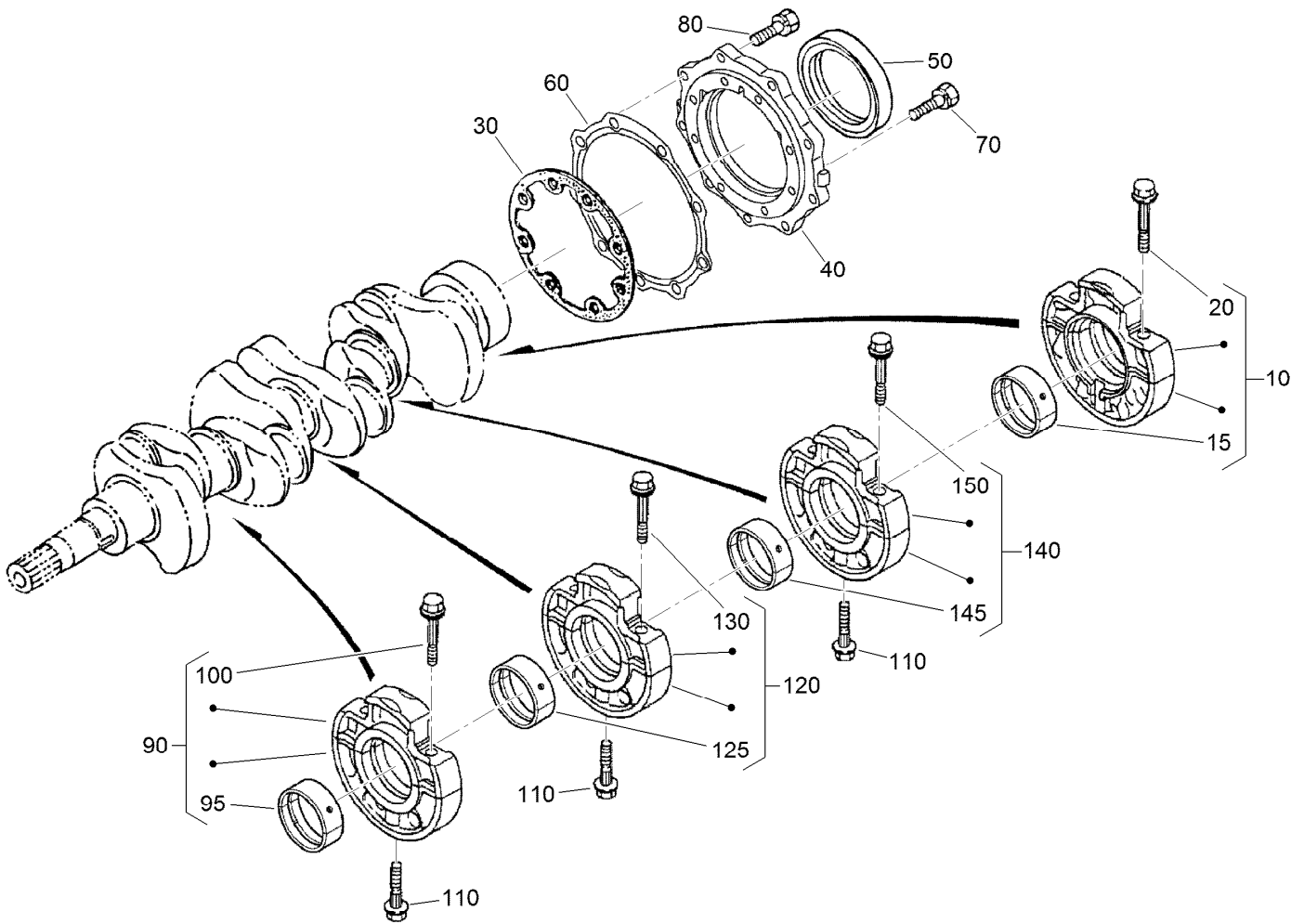
Cylinder Head Cover Assembly

Ref.	Part Number	Qty.	Description
10	105-3711	1	Cylinder Head Cover ASM
20	105-3712	1	Gasket-Cover, Head
30	98-9492	1	Joint-Pipe, Breather
40	98-9488	1	Plate-Element, Breather
50	98-9489	1	Plate-Element, Breather
60	98-9493	1	Element-Breather
70	98-9490	1	Shield-Oil, Breather
80	98-9364	2	Screw (With Washer)
90	98-9455	4	Nut-Cap
100	98-9454	4	Gasket
110	107-9075	1	Plug-Filler, Oil
120	99-3446	1	O-Ring
130	98-9491	1	Pipe-Breather



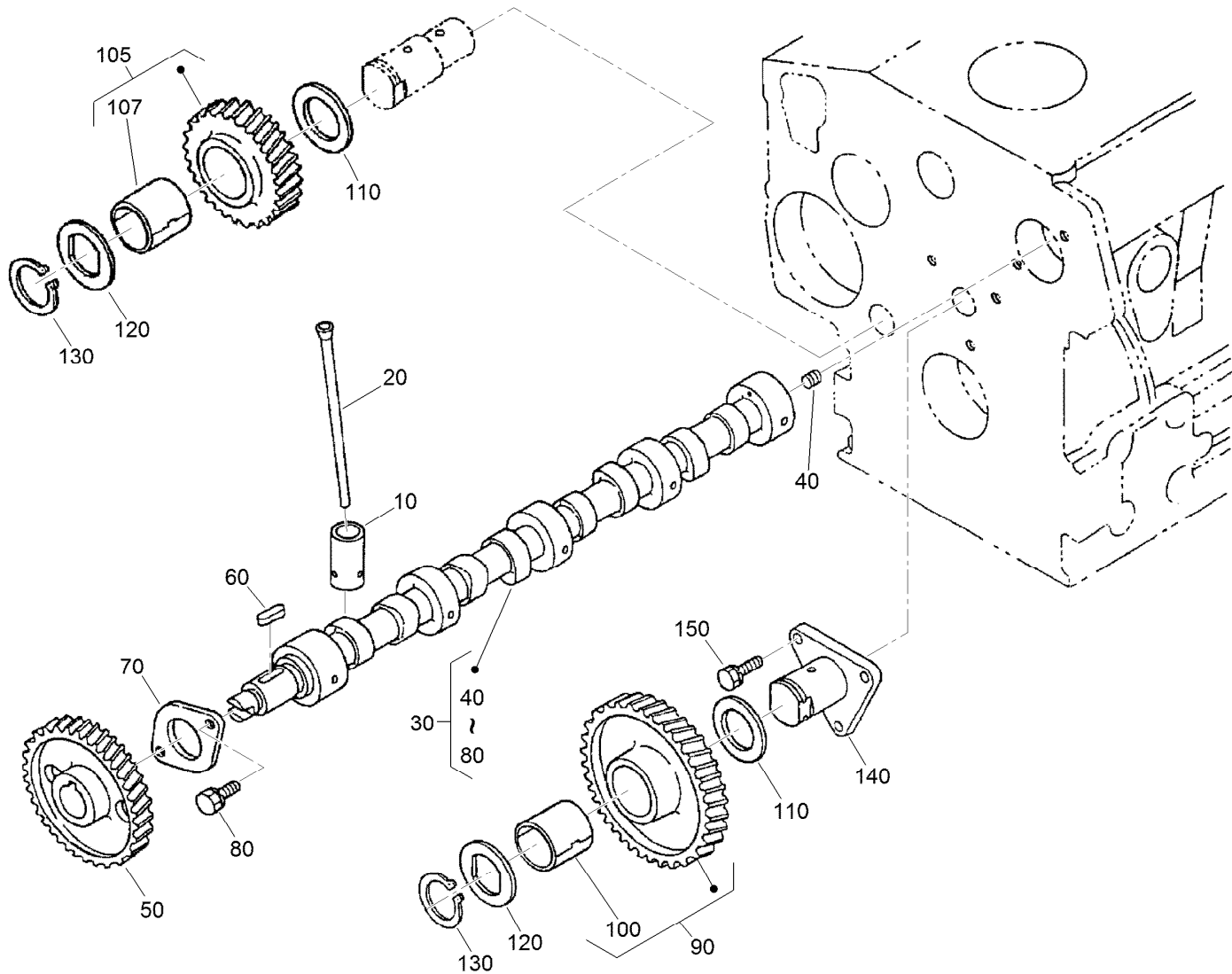
Dipstick and Guide Assembly

<i>Ref.</i>	<i>Part Number</i>	<i>Qty.</i>	<i>Description</i>
10	120-3124	1	Gauge-Oil
20	98-9672	1	Oil Gauge Guide ASM
30	98-9722	1	O-Ring
40	100-9195	1	Bolt
50	110-3720	1	Plug-Gauge, Oil



Main Bearing Case Assembly

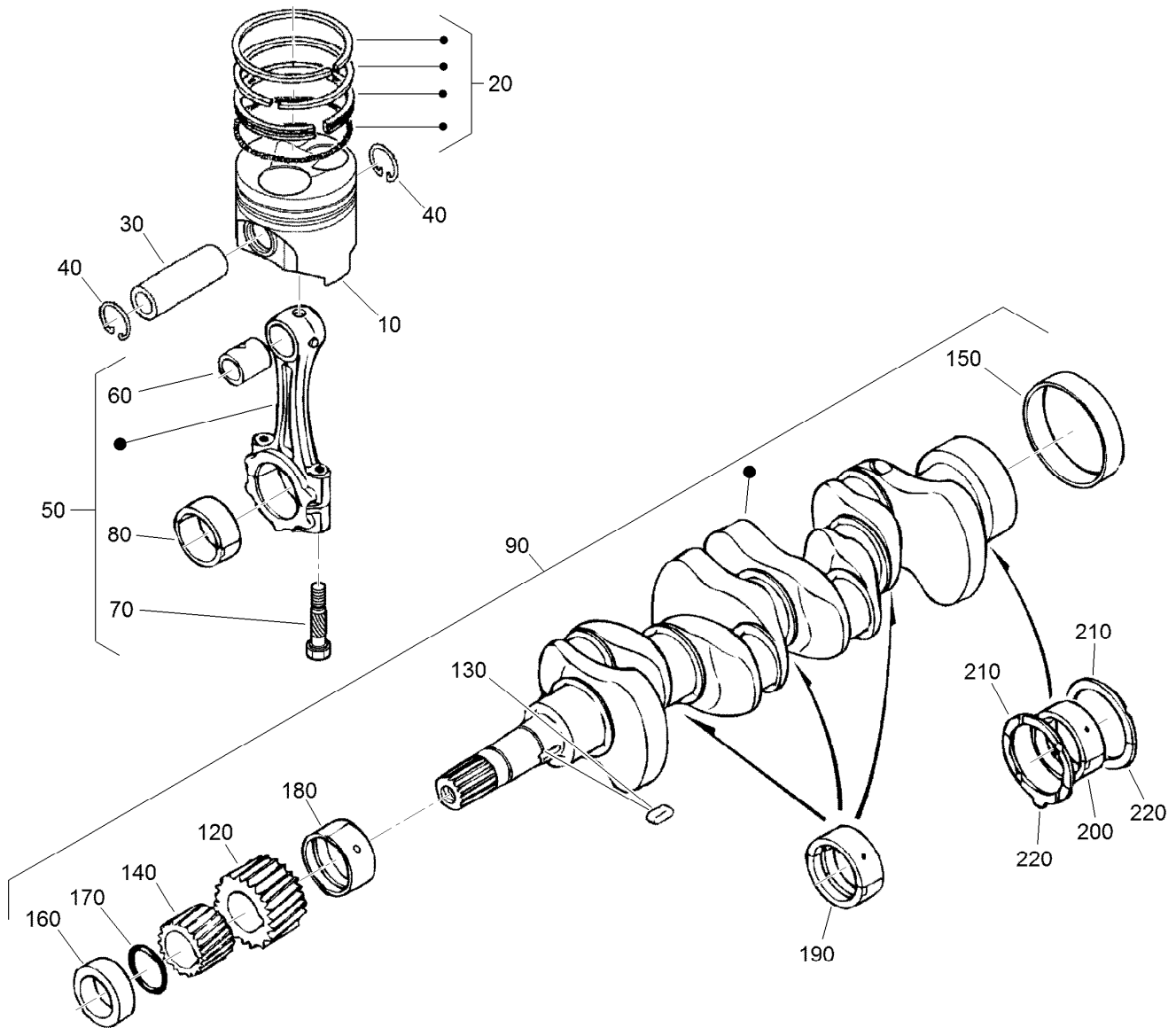
<i>Ref.</i>	<i>Part Number</i>	<i>Qty.</i>	<i>Description</i>	<i>Ref.</i>	<i>Part Number</i>	<i>Qty.</i>	<i>Description</i>
10	112-7026	1	Wheel Bearing Case ASM	95	98-9524	1	Metal-Crankshaft (STD Set)
15	115-4121	1	Metal-Crankshaft (STD)	100	98-9484	2	Bolt-Case, Bearing
20	98-9484	2	Bolt-Case, Bearing	110	98-9485	3	Bolt-Case, Bearing
30	127-0440	1	Gasket-Case, Bearing	120	115-4107	1	Main Bearing Case ASM
40	112-7046	1	Cover-Case, Bearing	125	98-9524	1	Metal-Crankshaft (STD Set)
50	112-0180	1	Seal-Oil	130	98-9484	2	Bolt-Case, Bearing
60	112-7037	1	Gasket-Cover, Case	140	130-1265	1	Main Bearing Case ASM
70	127-0441	8	Bolt	145	98-9524	1	Metal-Crankshaft (STD Set)
80	127-0442	9	Bolt	150	98-9484	2	Bolt-Case, Bearing
90	115-4106	1	Main Bearing Case ASM				



Camshaft and Idle Gear Shaft Assembly

Ref.	Part Number	Qty.	Description
10	112-0185	8	Tappet
20	127-0421	8	Rod-Push
30	120-3116	1	Camshaft ASM
40	110-3729	1	Ball
50	98-9512	1	Gear-Cam
60	98-9378	1	Key-Feather
70	98-9510	1	Stopper-Camshaft
80	98-7692	2	Bolt
90	117-7584	1	Idler Gear ASM

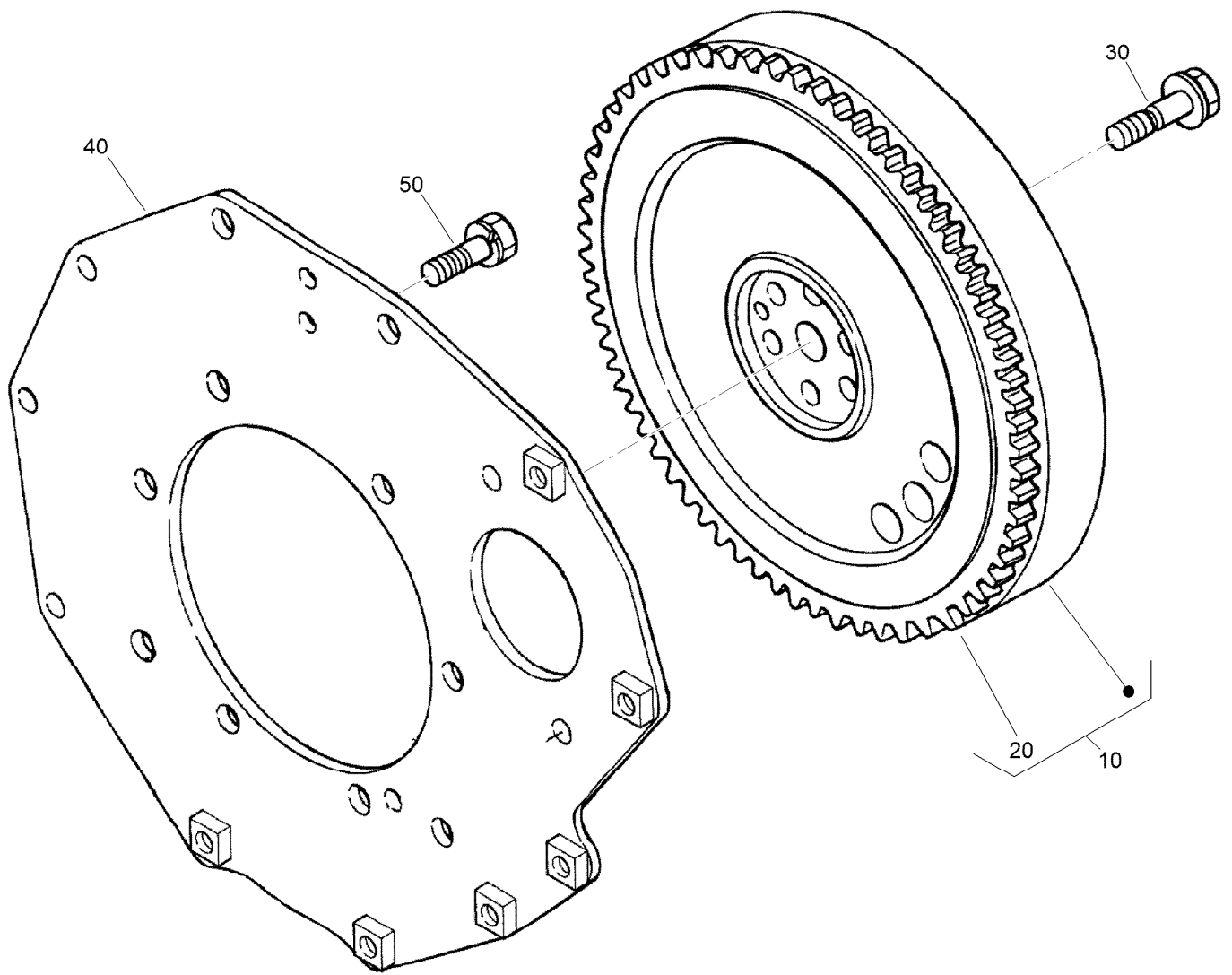
Ref.	Part Number	Qty.	Description
100	117-7585	1	Bushing-Gear, Idle
105	130-1259	1	Idler Gear ASM
107	117-7585	1	Bushing-Gear, Idle
110	98-9535	1	Collar-Gear, Idle
120	98-9536	1	Collar-Gear, Idle
130	98-9534	1	Circlip-Gear, Idle
140	98-9533	1	Shaft-Gear, Idle
150	98-7692	3	Bolt



Piston and Crankshaft Assembly

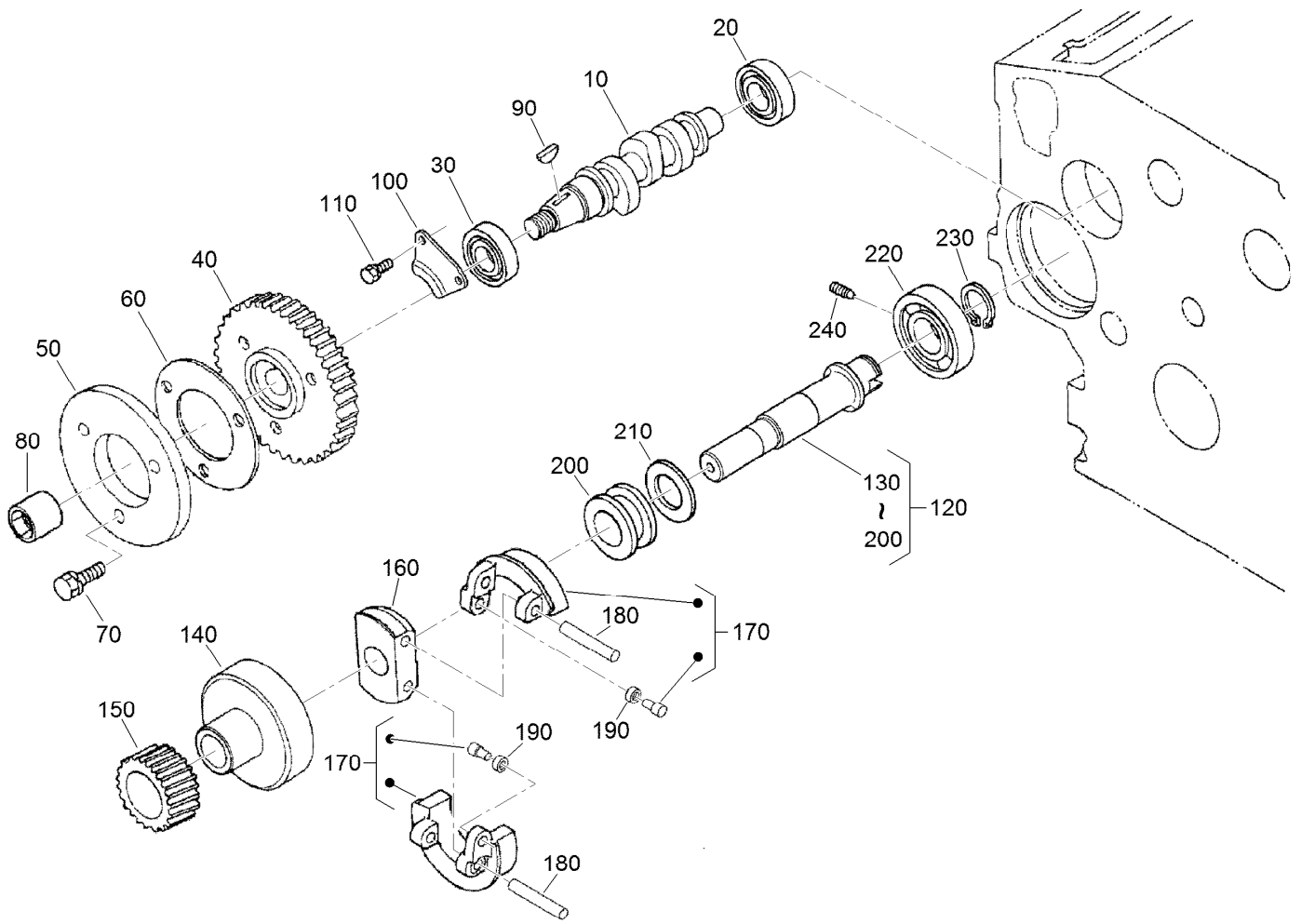
Ref.	Part Number	Qty.	Description
10	112-8404	4	Piston (STD)
10	112-8414	4	Piston (+0.5Mm)
20	98-9551	4	Piston Ring ASM (STD)
20	108-1404	4	Piston Ring ASM (0.5Mm)
30	98-9513	4	Pin-Piston
40	98-9514	8	Circlip-Pin, Piston
50	117-7586	4	Connecting Rod ASM
60	115-3014	4	Bushing-Pin, Piston
70	98-9517	8	Bolt-Rod, Connecting
80	98-9553	4	Bearing-Rod (STD)
80	117-7587	4	Metal-Crankpin (-0.2Mm)
80	117-7588	4	Metal-Crankpin (-0.4Mm)
90	120-2561	1	Crankshaft ASM
120	117-7561	1	Gear-Crankshaft
130	98-9666	1	Key
140	127-0445	1	Gear-Drive, Oil Pump
150	98-9522	1	Sleeve-Crankshaft

Ref.	Part Number	Qty.	Description
160	127-0444	1	Collar-Crankshaft
170	105-3783	1	O-Ring
180	112-7005	1	Bearing-Main (STD)
180	98-9528	1	Bearing-Main (-0.2Mm)
180	130-1274	1	Metal-Crankshaft (-0.40Mm)
190	98-9524	3	Metal-Crankshaft (STD Set)
190	127-0433	3	Metal-Crankshaft (-0.2Mm)
190	98-9531	3	Bearing-Main (0.4Mm)
200	115-4121	1	Metal-Crankshaft (STD)
200	112-7039	1	Metal-Crankshaft (0.2Mm)
200	112-7040	1	Metal-Crankshaft (-0.4Mm)
210	98-9413	2	Bearing-Thrust (STD)
210	127-0416	2	Metal-Side (+0.2Mm)
210	127-0417	2	Metal-Side (+0.40Mm)
220	98-9688	2	Bearing-Thrust (STD)
220	127-0437	2	Metal-Side (+0.2Mm)
220	127-0438	2	Metal-Side (+0.40Mm)



Flywheel Assembly

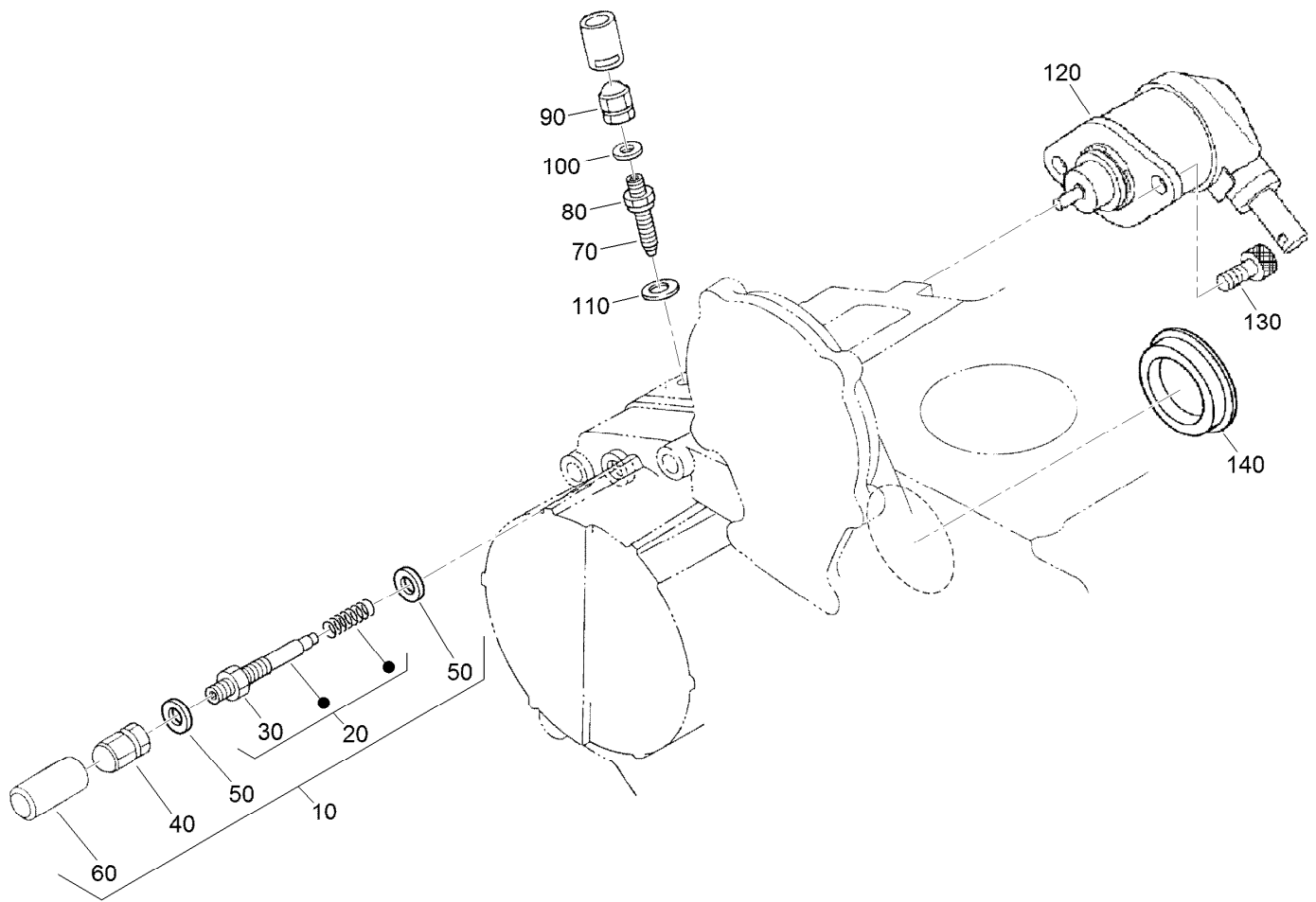
<i>Ref.</i>	<i>Part Number</i>	<i>Qty.</i>	<i>Description</i>
10	105-3721	1	Flywheel ASM
20	115-3015	1	Gear-Ring
30	98-9537	6	Bolt-Flywheel
40	98-9486	1	Plate-End, Rear
50	98-9392	8	Bolt



Fuel Camshaft and Governor Shaft Assembly

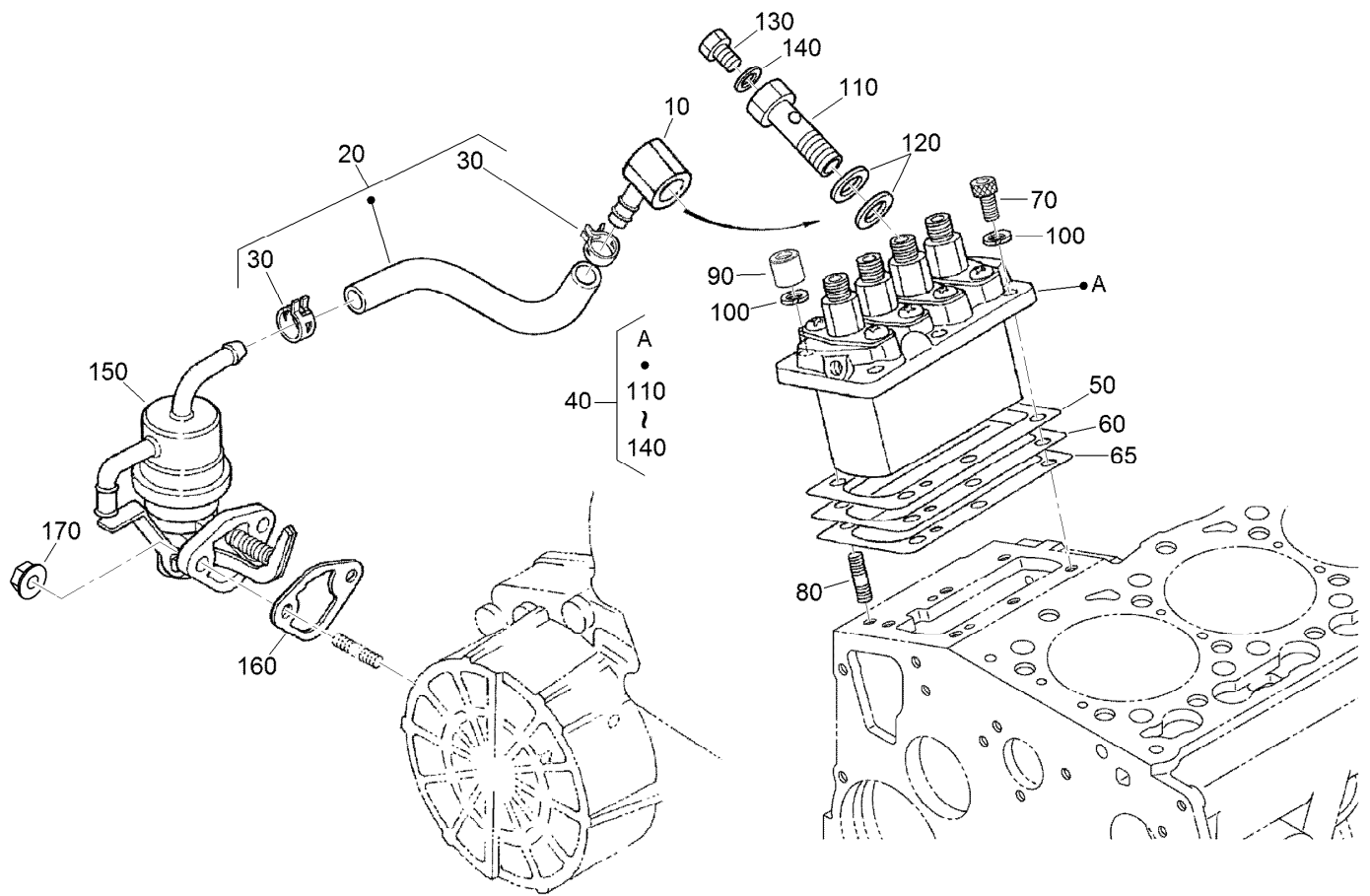
<i>Ref.</i>	<i>Part Number</i>	<i>Qty.</i>	<i>Description</i>
10	105-3723	1	Camshaft-Fuel
20	107-9077	1	Bearing-Ball
30	107-9078	1	Bearing-Ball
40	98-9669	1	Gear-Pump, Injection
50	130-1239	1	Cam-Fuel
60	98-9548	1	Washer
70	98-9350	3	Bolt
80	130-1512	1	Nut
90	98-9595	1	Key-Woodruff
100	98-9511	1	Stopper-Fuel, Camshaft
110	98-7692	2	Bolt
120	130-1266	1	Governor Shaft ASM

<i>Ref.</i>	<i>Part Number</i>	<i>Qty.</i>	<i>Description</i>
130	105-3725	1	Shaft, Governor
140	98-9562	1	Holder-Gear, Governor
150	98-9673	1	Gear-Governor
160	98-9561	1	Holder-Weight, Governor
170	130-1240	2	Governor Weight ASM
180	98-9560	2	Shaft-Weight, Governor
190	98-9692	2	Roller
200	98-9563	1	Sleeve-Governor
210	98-9564	1	Washer-Thrust
220	107-9079	1	Bearing-Ball
230	98-9657	1	Circlip-Shaft, Governor
240	98-9565	1	Screw-Set



Idle Apparatus and Stop Solenoid Assembly

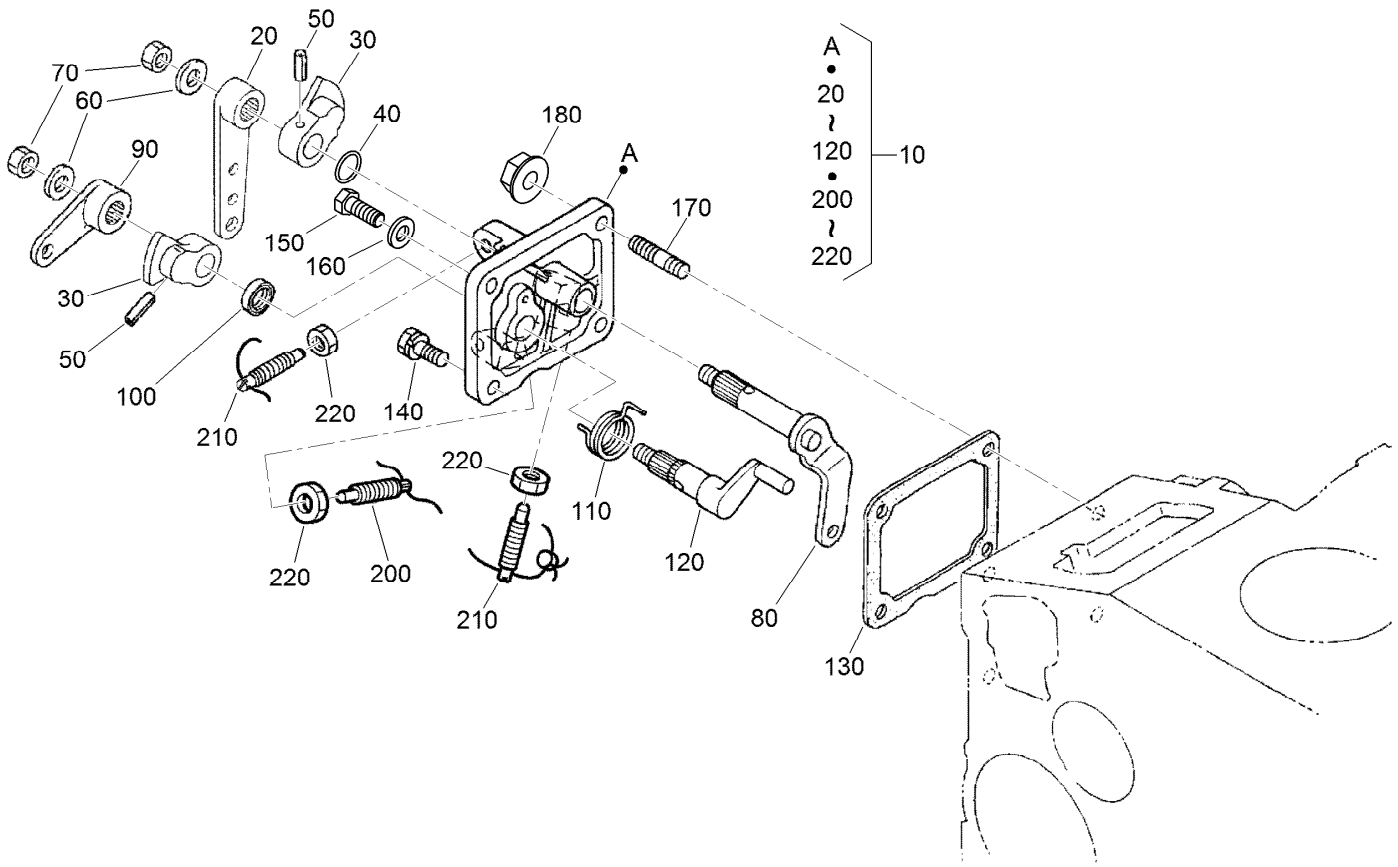
<i>Ref.</i>	<i>Part Number</i>	<i>Qty.</i>	<i>Description</i>
10	98-9678	1	Idle Apparatus ASM
20	112-7014	1	Adjusting Bolt ASM
30	98-9439	1	Nut
40	112-0181	1	Nut
50	98-7654	2	Gasket
60	98-7656	1	Cap
70	112-7015	1	Bolt-Adjusting
80	100-2175	1	Nut-Lock
90	112-0181	1	Nut
100	98-7654	1	Gasket
110	107-9081	1	Gasket
120	104-5155	1	Solenoid-Stop
130	130-1155	2	Screw-HSH
140	112-7016	1	Cover-Pump



Injection Pump and Fuel Pump Assembly

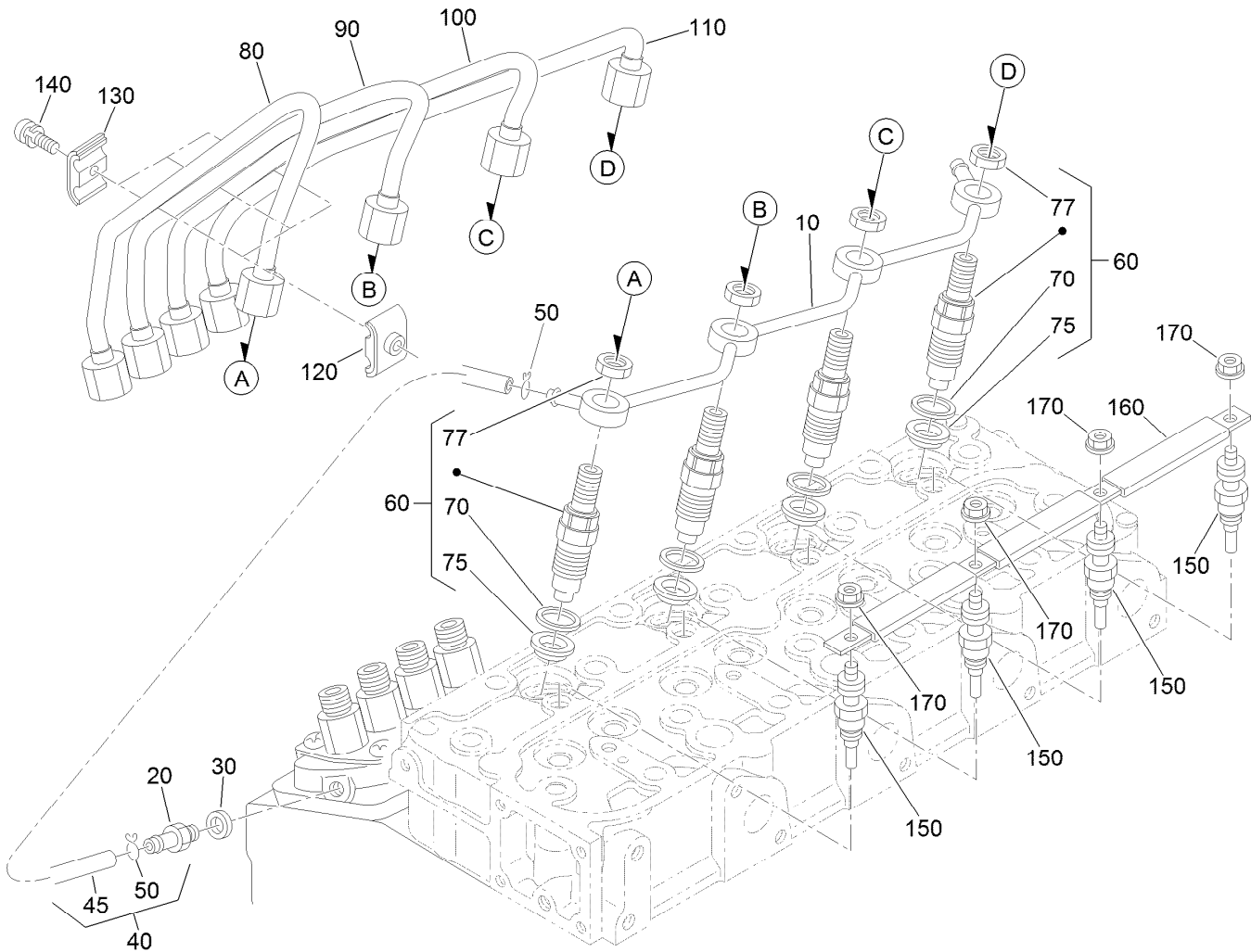
Ref.	Part Number	Qty.	Description
10	98-9596	1	Joint-Eye
20	130-1238	1	Fuel Pipe ASM
30	100-2217	2	Clip-Pipe
40	105-3727	1	Injection Pump ASM
50	105-3728	1	Shim-Pump, Injection (.20Mm)
50	105-3729	1	Shim-Pump, Injection (.25Mm)
60	105-3730	1	Shim-Pump, Injection (.30Mm)
60	115-3016	1	Shim-Pump, Injection (.350Mm)
65	115-3017	1	Shim-Pump, Injection (.175Mm)

Ref.	Part Number	Qty.	Description
70	117-7564	3	Bolt-Hex Soc HD
80	98-9438	3	Stud
90	98-9440	3	Nut-Cap
100	98-7699	3	Washer-Spring
110	98-9464	1	Bolt-Joint
120	98-9445	2	Gasket
130	98-9430	1	Screw
140	98-9446	1	Gasket
150	98-9677	1	Fuel Pump ASM
160	98-9636	1	Gasket-Pump, Fuel
170	100-2203	2	Nut-Flange



Speed Control Plate Assembly

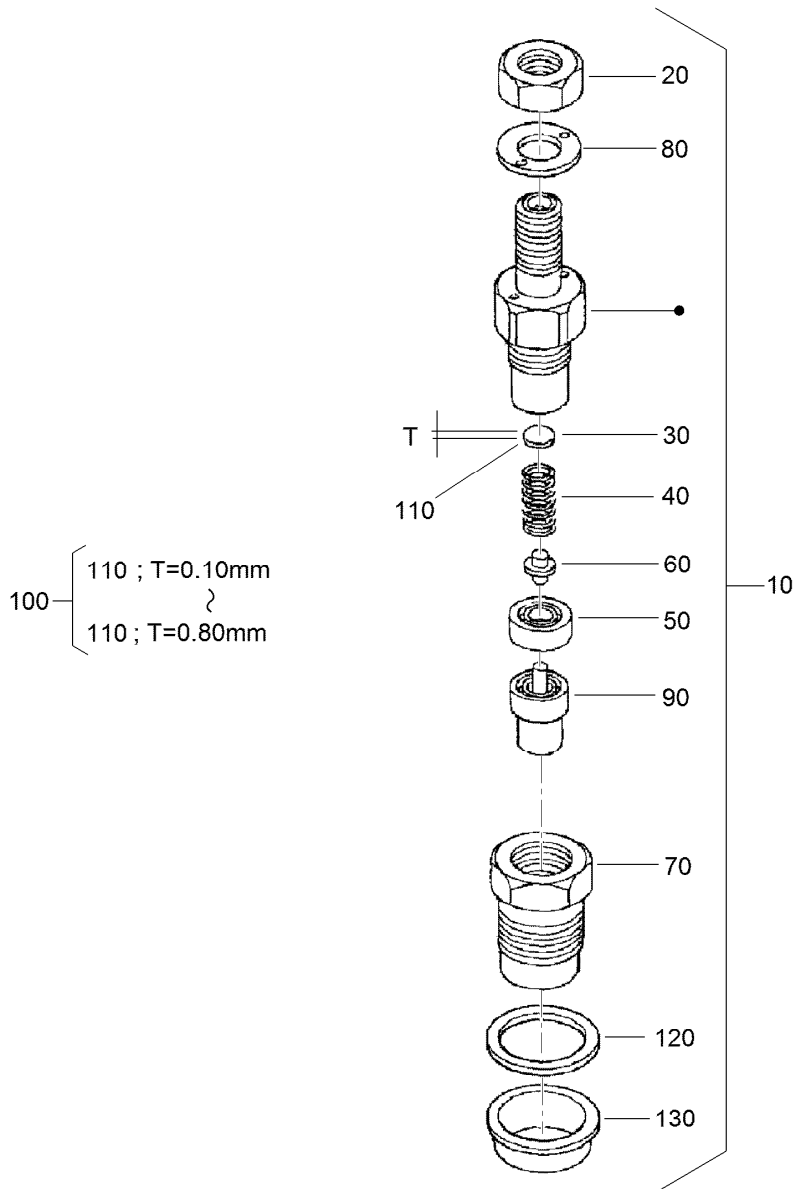
<i>Ref.</i>	<i>Part Number</i>	<i>Qty.</i>	<i>Description</i>	<i>Ref.</i>	<i>Part Number</i>	<i>Qty.</i>	<i>Description</i>
10	98-9661	1	Control Plate ASM	120	98-9664	1	Shaft-Lever, Stop
20	98-9662	1	Lever-Control, Speed	130	98-9637	1	Gasket
30	98-9572	2	Lever-Control, Speed	140	98-7692	1	Bolt
40	105-3788	1	O-Ring	150	127-0401	1	Bolt-Hex
50	98-7602	2	Pin-Spring	160	98-7654	1	Gasket
60	98-9594	2	Washer-Plain	170	105-3710	2	Stud
70	98-9589	2	Nut	180	100-2203	2	Nut-Flange
80	98-9658	1	Governor Lever ASM	200	117-7565	2	Bolt-Adjusting
90	98-9663	1	Lever-Stop, Engine	210	117-7566	1	Bolt-Adjusting
100	98-7601	1	Seal-Oil	220	98-7572	3	Nut
110	98-9472	1	Spring-Return				



Nozzle Holder and Glow Plug Assembly

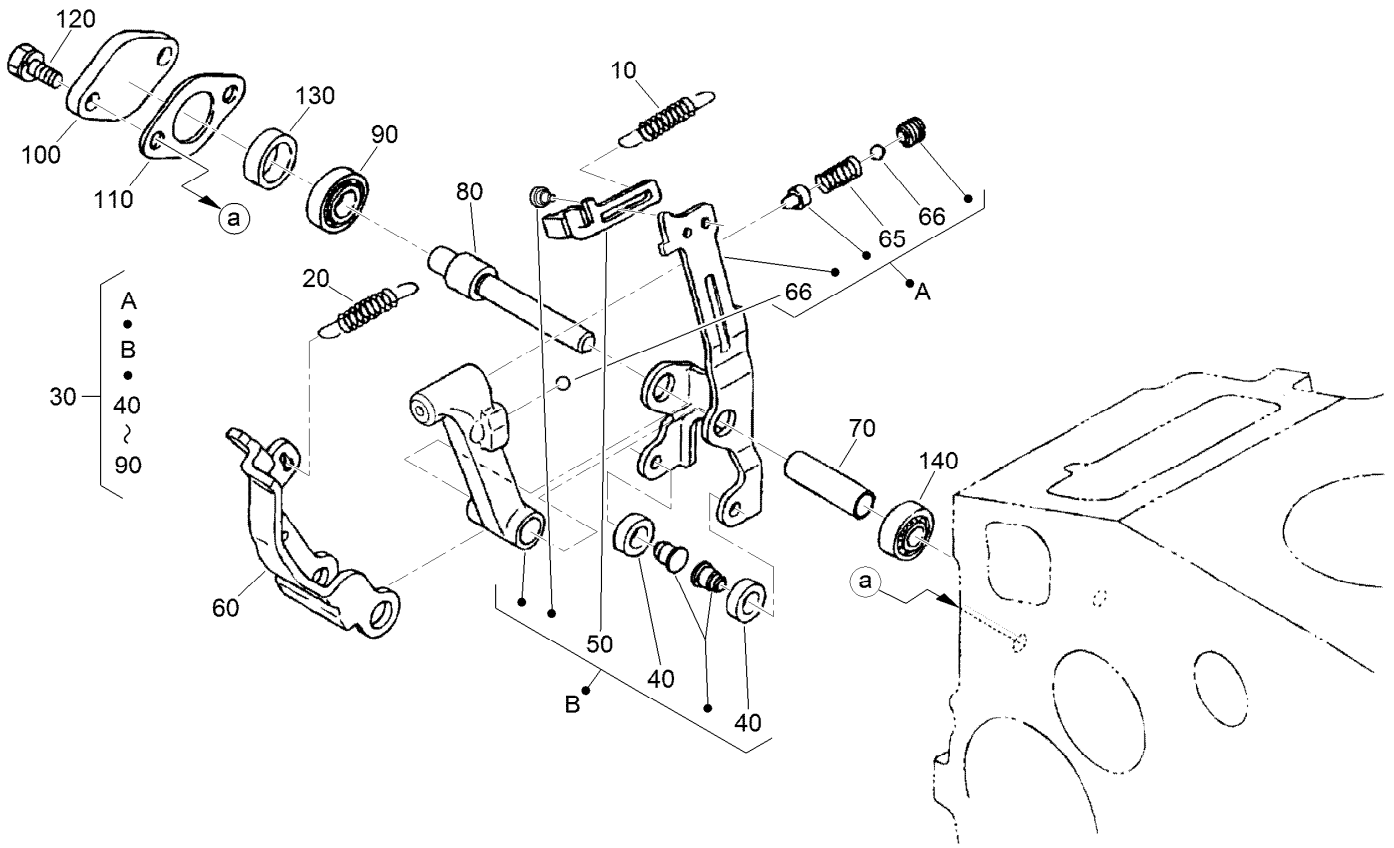
Ref.	Part Number	Qty.	Description
10	105-3737	1	Over Flow Pipe ASM
20	98-9431	1	Screw-Bleeder, Air
30	98-7654	1	Gasket
40	98-9420	1	Overflow Pipe ASM
45	112-0182	1	Pipe-Overflow
50	98-7671	2	Clip-Pipe
60	108-2866	4	Nozzle Holder Kit
70	98-7676	4	Gasket
75	98-7677	4	Seal-Heat
77	121-2411	4	Nut

Ref.	Part Number	Qty.	Description
80	98-9653	1	Pipe-Injection
90	98-9654	1	Pipe-Injection
100	98-9655	1	Pipe-Injection
110	105-3738	1	Pipe-Injection
120	98-7682	3	Clamp-Pipe
130	98-7683	3	Clamp-Pipe
140	98-7684	3	Screw (W/Washer)
150	115-3019	4	Plug-Glow
160	105-3739	1	Cord-Plug, Glow
170	99-8377	4	Nut-Flange



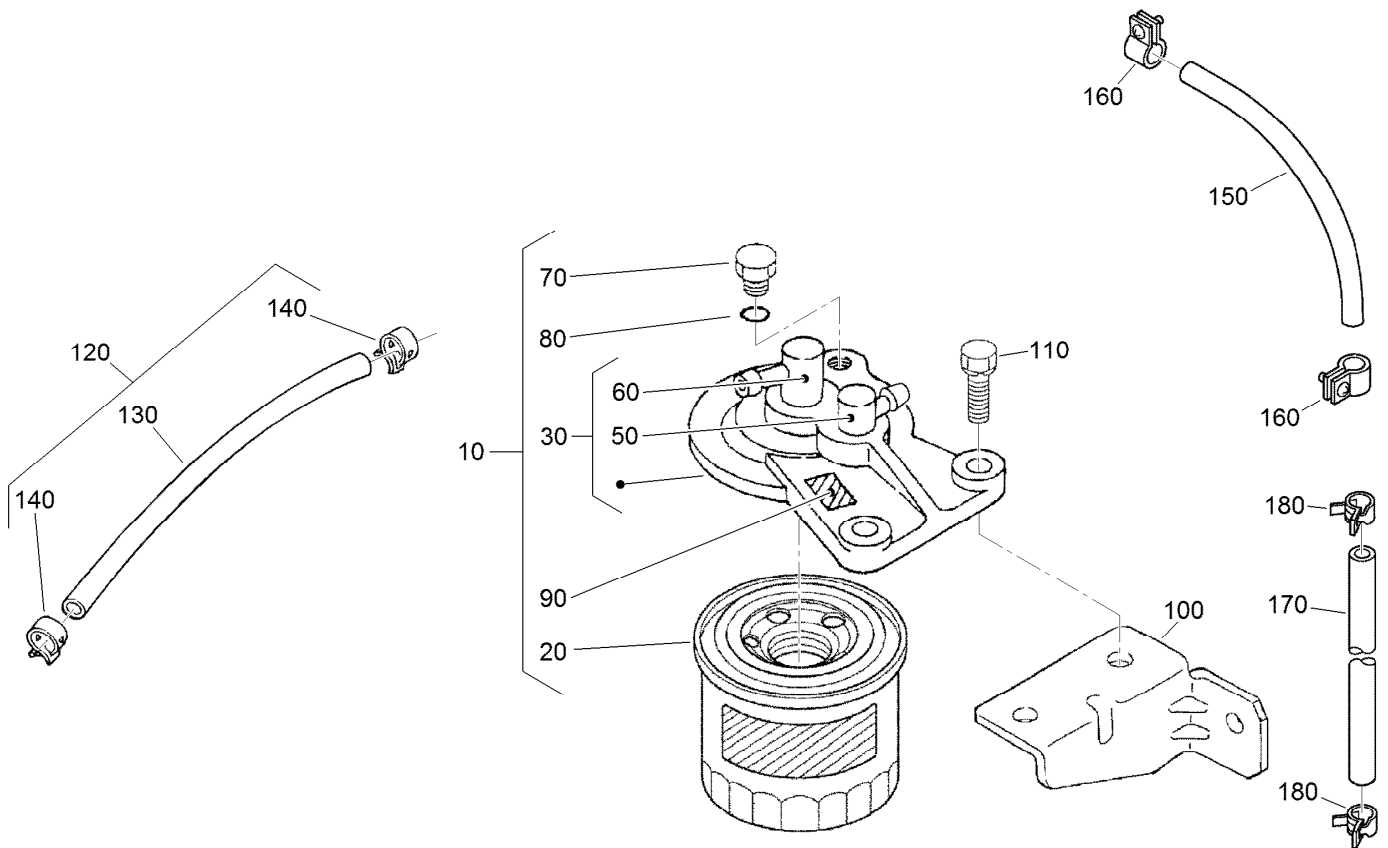
Nozzle Holder Assembly

Ref.	Part Number	Qty.	Description	Ref.	Part Number	Qty.	Description
10	108-2866	4	Nozzle Holder Kit	110	99-8311	4	Washer-Adjust (0.20Mm)
20	121-2411	4	Nut	110	99-8312	4	Washer-Adjust (0.30Mm)
30	99-8302	4	Washer-Adjusting	110	99-8313	4	Washer-Adjust (0.40Mm)
40	99-8303	4	Spring-Nozzle	110	99-8314	4	Washer-Adjust (0.50Mm)
50	99-8304	4	Spacer-Distance	110	99-8315	4	Washer-Adjust (0.52Mm)
60	99-8305	4	Rod-Push	110	99-8316	4	Washer-Adjust (0.54Mm)
70	99-8306	4	Nut-Nozzle	110	99-8317	4	Washer-Adjust (0.56Mm)
80	99-8307	4	Washer-Plain	110	99-8318	4	Washer-Adjust (0.58Mm)
90	107-7826	4	Piece-Nozzle	110	99-8319	4	Washer-Adjust (0.80Mm)
100	99-8309	4	Adjusting Washer ASM	120	98-7676	4	Gasket
110	99-8310	4	Washer-Adjust (0.10Mm)	130	98-7677	4	Seal-Heat



Governor Assembly

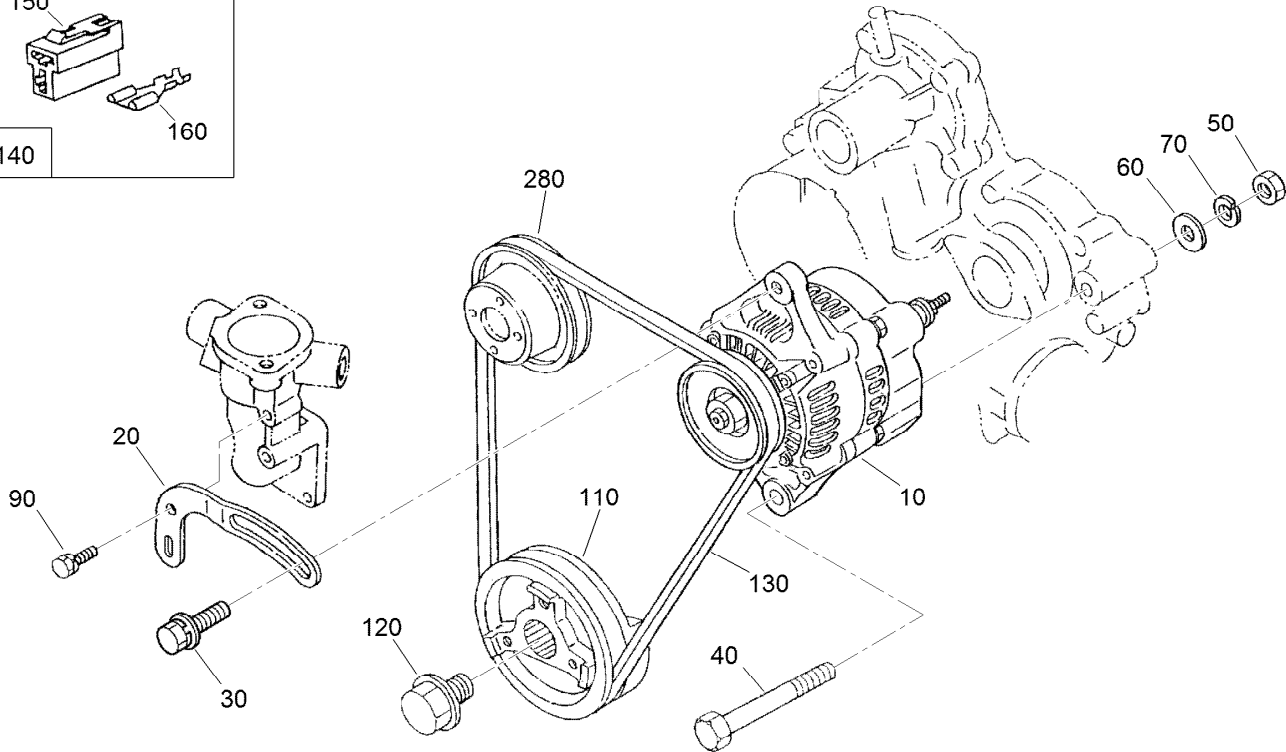
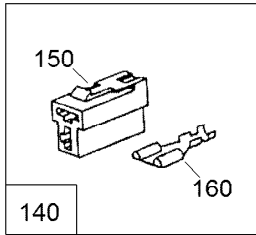
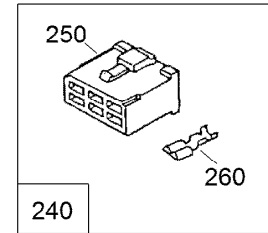
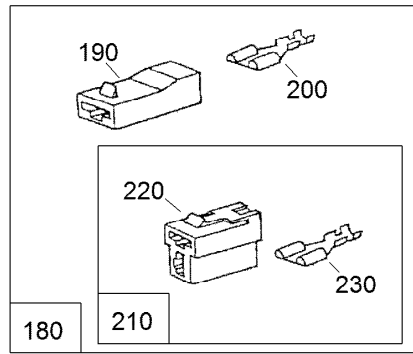
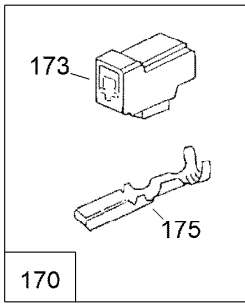
<i>Ref.</i>	<i>Part Number</i>	<i>Qty.</i>	<i>Description</i>	<i>Ref.</i>	<i>Part Number</i>	<i>Qty.</i>	<i>Description</i>
10	105-3741	1	Spring-Start	70	107-9085	1	Shaft-Lever, Fork
20	98-9681	1	Spring-Governor	80	107-9086	1	Shaft-Lever, Fork
30	115-4502	1	Fork Lever ASM	90	98-9570	1	Bearing-Miniaturize
40	98-9692	2	Roller	100	115-4122	1	Cover-Shaft, Fork Lever
50	107-9083	1	Lever-Thrust	110	98-9682	1	Gasket
60	107-9084	1	Lever-Fork	120	98-9350	2	Bolt
65	108-2867	1	Spring	130	98-9567	1	Collar
66	98-7580	2	Ball	140	98-9571	1	Bearing-Miniaturize



Fuel Filter Assembly

Ref.	Part Number	Qty.	Description
10	130-1188	1	Fuel Filter ASM
20	130-1187	1	Element-Filter
30	130-1189	1	Filter Cover ASM
50	130-1180	1	Joint-Pipe
60	130-1181	1	Joint-Pipe
70	130-1329	1	Plug-Filter Breather
80	130-1179	1	O Ring
90	130-1190	1	Mark-Form
100	130-1271	1	Holder-Fuel Filter

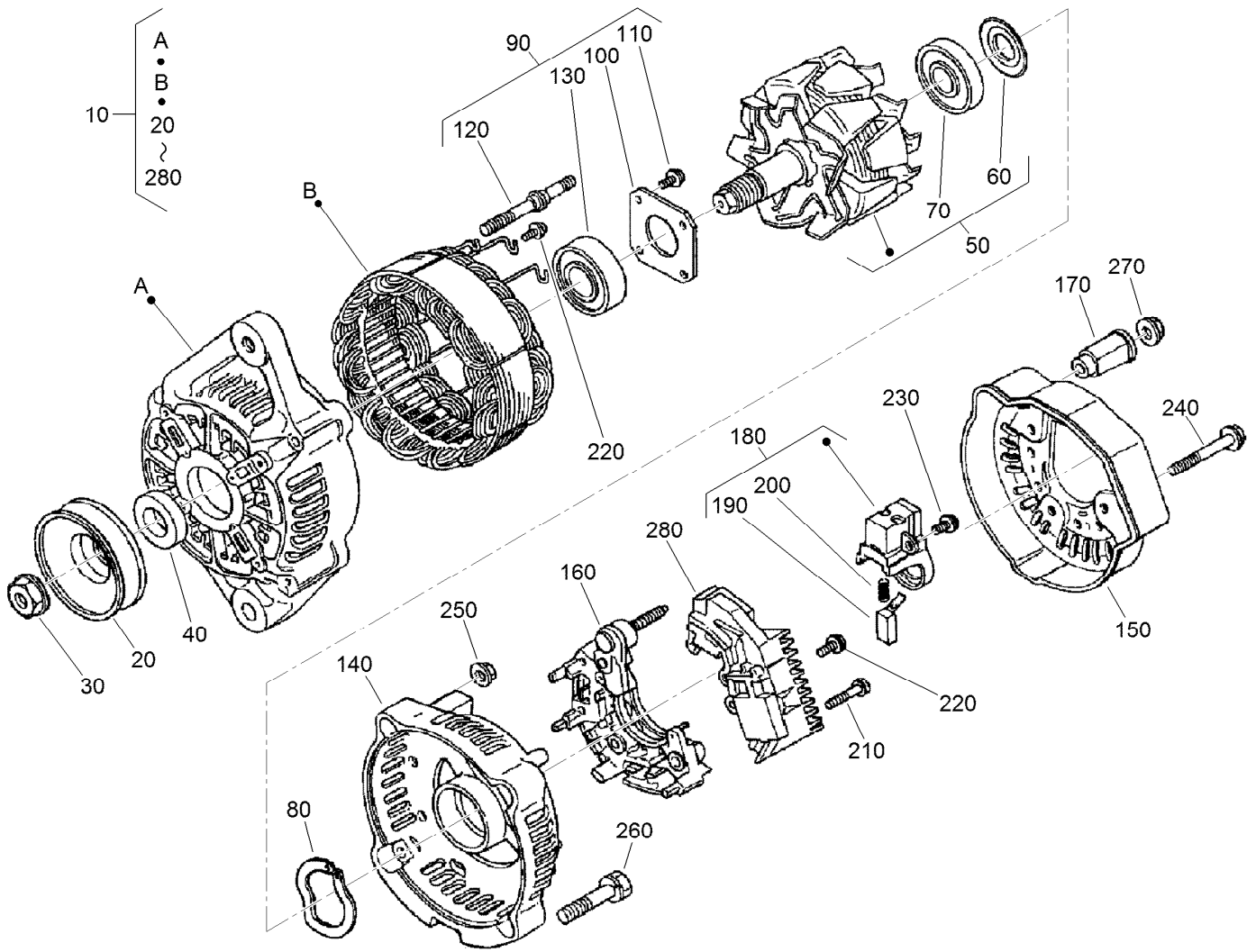
Ref.	Part Number	Qty.	Description
110	98-7610	2	Bolt
120	130-1270	1	Fuel Pipe ASM
130	130-1172	1	Tube-Fuel
140	100-2217	2	Clip-Pipe
150	130-1222	1	Pipe-Fuel
160	98-7616	4	Clip-Pipe
170	130-1330	1	Pipe-Over Flow, Fuel
180	98-7672	6	Clip-Pipe



Alternator and Pulley Assembly

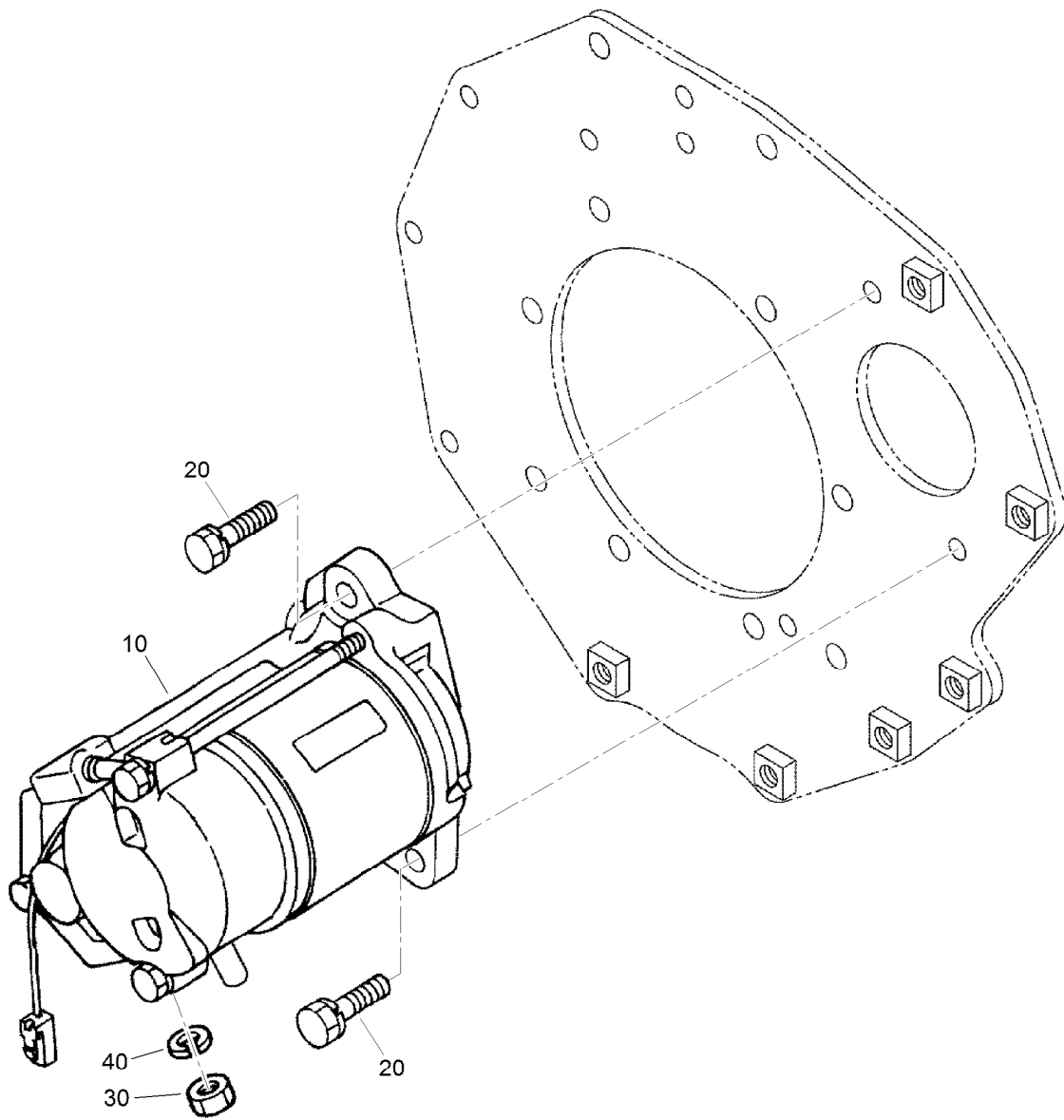
Ref.	Part Number	Qty.	Description
10	98-9474	1	Alternator ASM
20	112-7047	1	Stay-Dynamo
20	112-7047	1	Stay-Dynamo
30	108-7088	1	Bolt
40	98-9360	1	Bolt
50	98-7737	1	Nut
60	98-9366	1	Washer-Plain
70	98-7738	1	Washer-Spring
90	98-7692	1	Bolt
110	105-3745	1	Pulley-Drive, Fan
120	98-9585	1	Bolt
130	98-9676	1	V-Belt
140	127-1606	1	Coupler ASM
150	98-9698	1	Connector

Ref.	Part Number	Qty.	Description
160	98-9699	2	Terminal
170	115-8600	1	Coupler ASM
173	115-8601	1	Connector
175	115-8602	1	Terminal
180	130-1229	1	Relay Coupler ASM
190	130-1230	2	Connector
200	130-1228	2	Terminal
210	127-1606	1	Coupler ASM
220	98-9698	1	Connector
230	98-9699	2	Terminal
240	130-1290	1	Connector Coupler ASM
250	98-9697	1	Connector
260	98-9699	5	Terminal
280	98-9584	1	Pulley-Fan



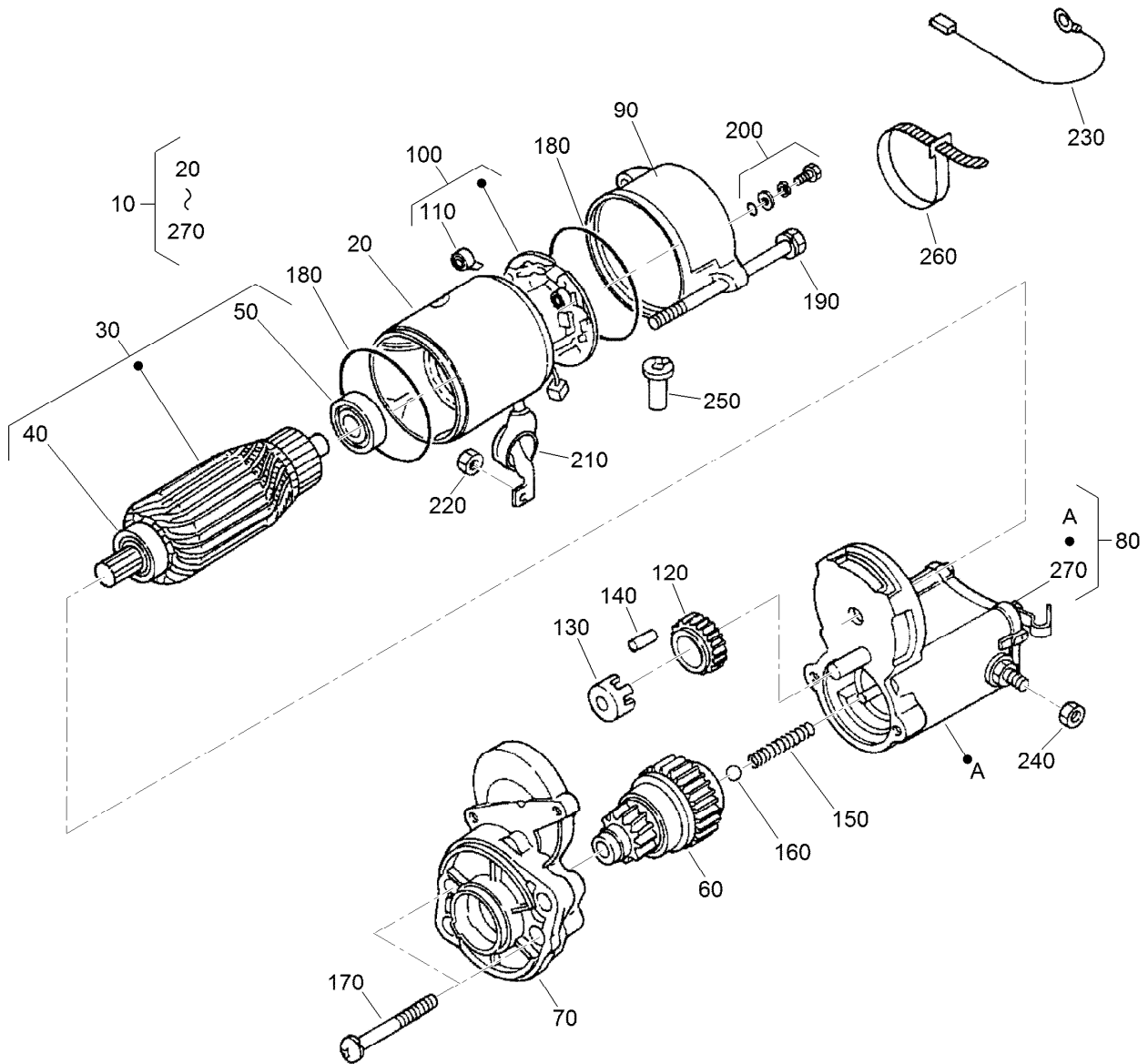
Alternator Components Assembly

Ref.	Part Number	Qty.	Description	Ref.	Part Number	Qty.	Description
10	98-9474	1	Alternator ASM	150	107-0140	1	Cover-End
20	98-9453	1	Pulley-Dynamo	160	127-1612	1	Rectifier ASM
30	98-7708	1	Nut	170	98-7722	1	Bushing-Insulation
40	98-7709	1	Collar	180	107-0141	1	Brush Holder ASM
50	107-0136	1	Rotor ASM	190	98-7724	2	Brush
60	98-7711	1	Cover-Bearing	200	98-7725	2	Spring-Brush
70	107-0138	1	Bearing-Ball	210	98-7726	2	Screw-Head, Round
80	98-7713	1	Washer-Thrust	220	98-7727	6	Screw-Head, Round
90	107-0139	1	Drive End Frame ASM	230	98-7728	1	Screw-Head, Round
100	98-7715	1	Plate-Retainer	240	98-7729	3	Bolt
110	98-7716	4	Screw-Head, Round	250	98-7730	2	Nut
120	98-7717	2	Bolt-Through	260	98-7731	2	Bolt
130	107-0137	1	Bearing-Ball	270	98-7732	1	Nut
140	107-9087	1	Frame-End	280	110-3799	1	Regulator ASM



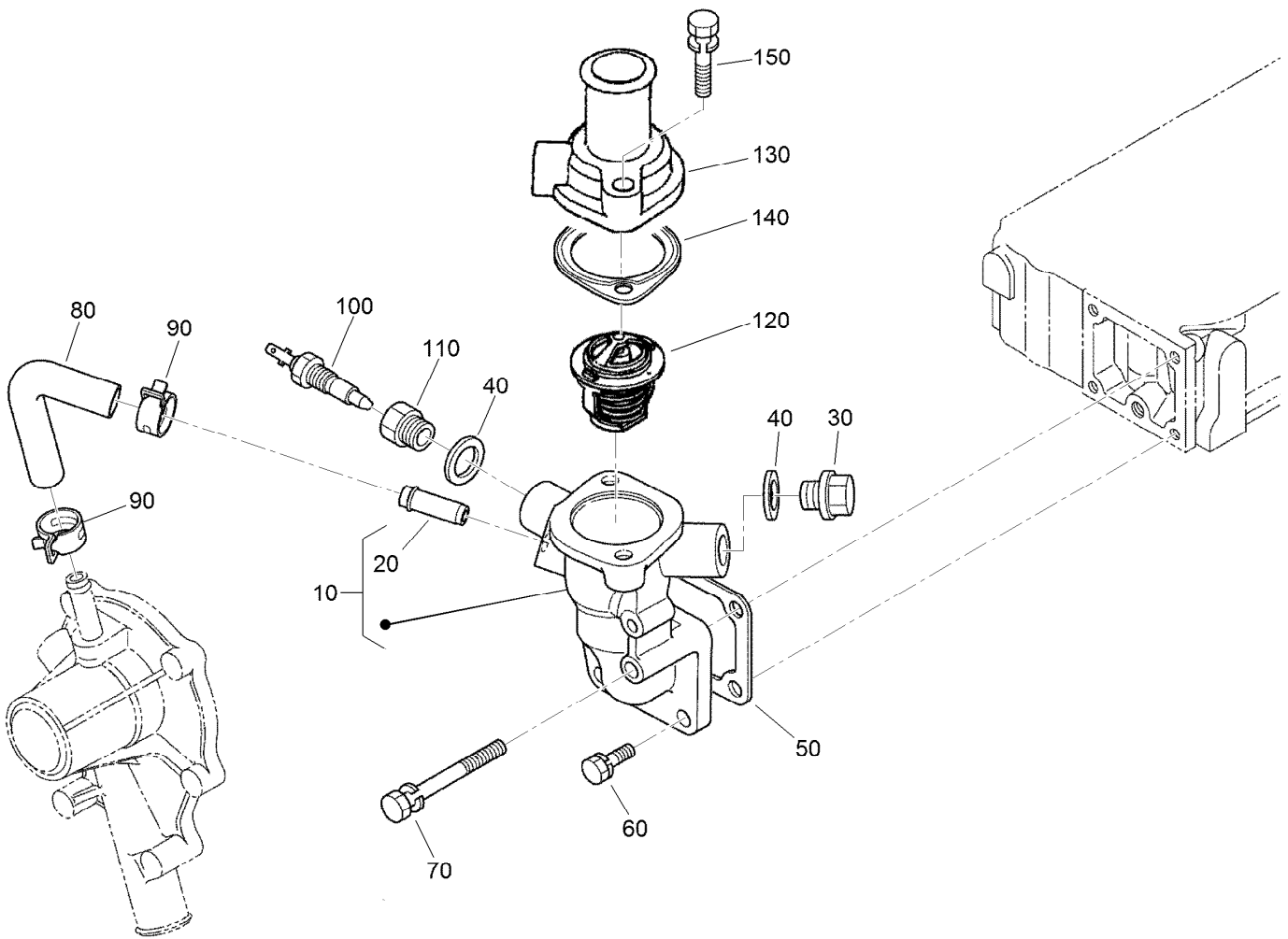
Starter Assembly

<i>Ref.</i>	<i>Part Number</i>	<i>Qty.</i>	<i>Description</i>
10	98-9705	1	Starter ASM
20	98-7697	2	Bolt
30	98-7739	1	Nut
40	105-2893	1	Washer-Spring



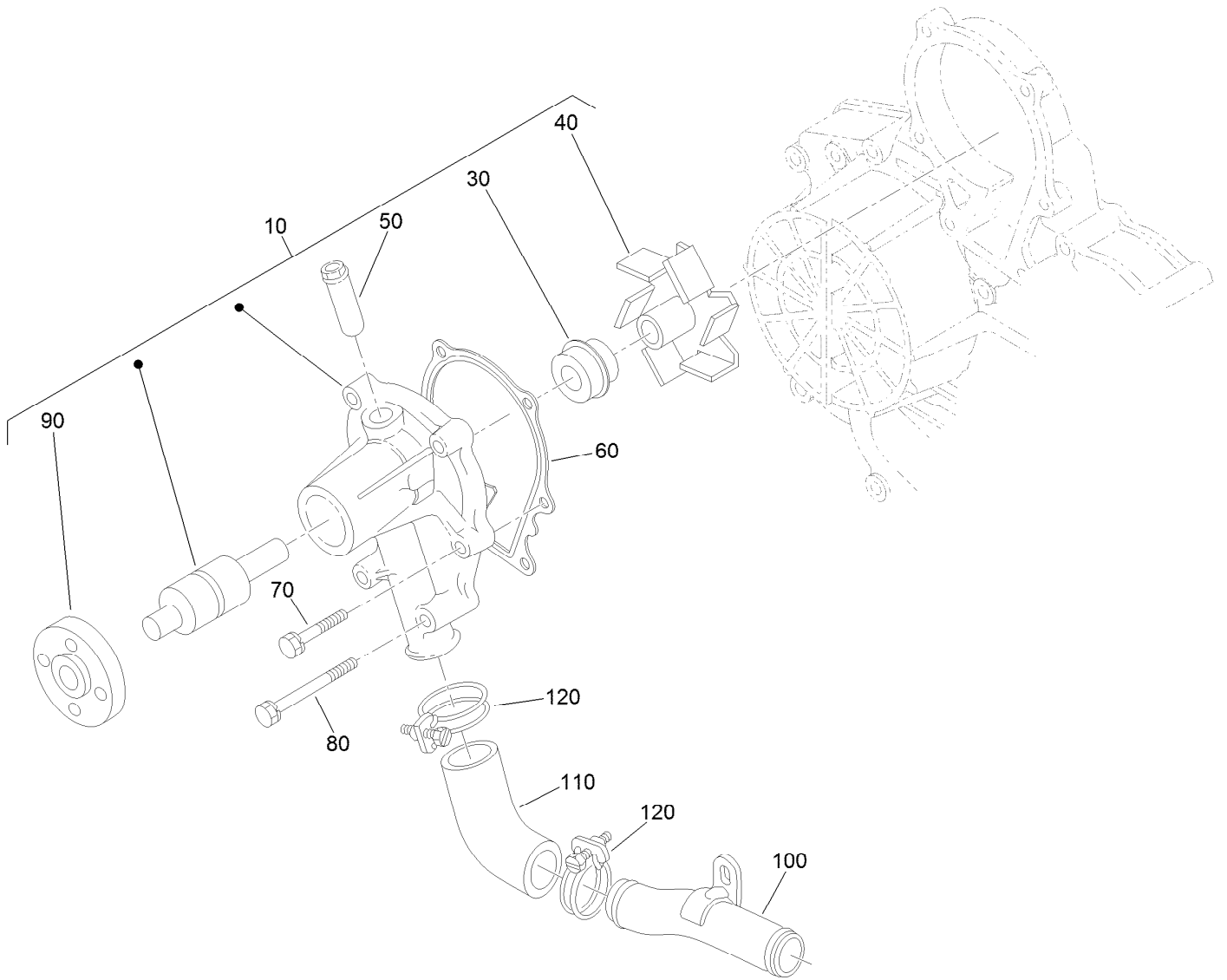
Starter (Component Part) Assembly

Ref.	Part Number	Qty.	Description	Ref.	Part Number	Qty.	Description
10	98-9705	1	Starter ASM	150	98-7754	1	Spring
20	104-8608	1	Yoke ASM	160	98-7755	1	Ball
30	98-7742	1	Armature ASM	170	98-7756	2	Bolt
40	98-7744	1	Bearing	180	98-7757	2	O-Ring
50	98-7743	1	Bearing	190	100-9240	2	Bolt
60	99-8373	1	Clutch-Running, Over	200	98-7758	2	Bolt ASM
70	99-8374	1	Frame-End, Drive	210	99-8375	1	Cover
80	105-3746	1	Magnetic Switch ASM	220	99-8371	1	Nut-Hex
90	98-7748	1	Frame-End	230	98-9711	1	Cord-Solenoid, Stop
100	98-7749	1	Brush Holder ASM	240	99-8376	1	Nut-Hex
110	98-7750	4	Spring-Brush	250	98-7759	1	Pipe-Drain
120	98-7751	1	Gear	260	98-9712	1	Band-Cover
130	98-7752	1	Retainer	270	105-2886	1	Cover ASM
140	98-7753	5	Roller				



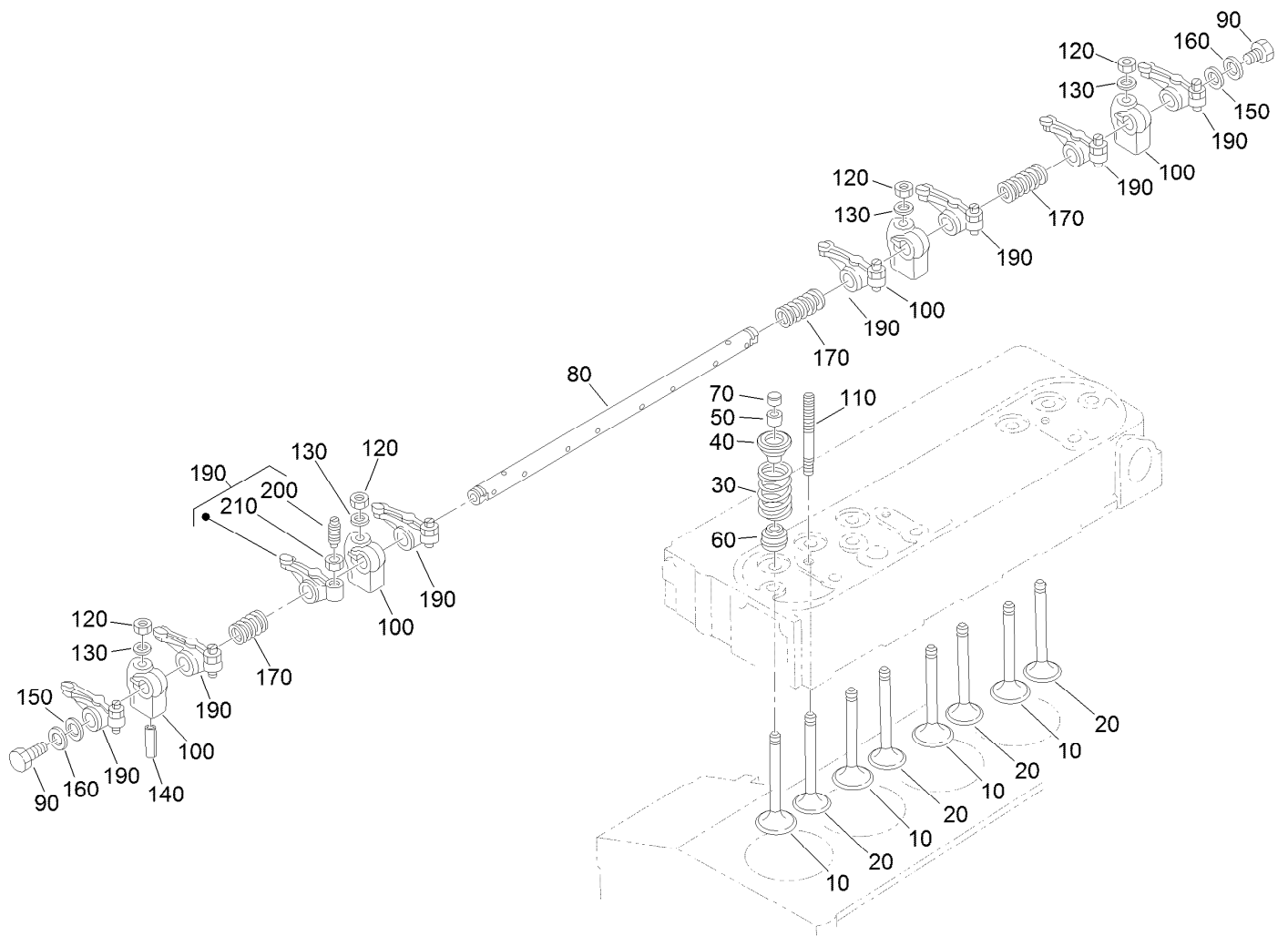
Water Flange and Thermostat Assembly

<i>Ref.</i>	<i>Part Number</i>	<i>Qty.</i>	<i>Description</i>
10	98-9713	1	Water Flange ASM
20	98-9580	1	Pipe-Return, Water
30	105-3747	1	Plug
40	99-3583	2	Gasket
50	98-9638	1	Gasket-Flange, Water
60	98-7692	3	Bolt
70	98-9356	1	Bolt
80	98-9578	1	Pipe-Return, Water
90	98-9579	2	Band-Pipe
100	100-1983	1	Thermo-Switch
110	130-1377	1	Adapter-Thermoswitch
120	98-7778	1	Thermostat ASM
130	98-9471	1	Cover-Thermostat
140	105-3748	1	Gasket-Thermostat
150	98-7777	2	Bolt



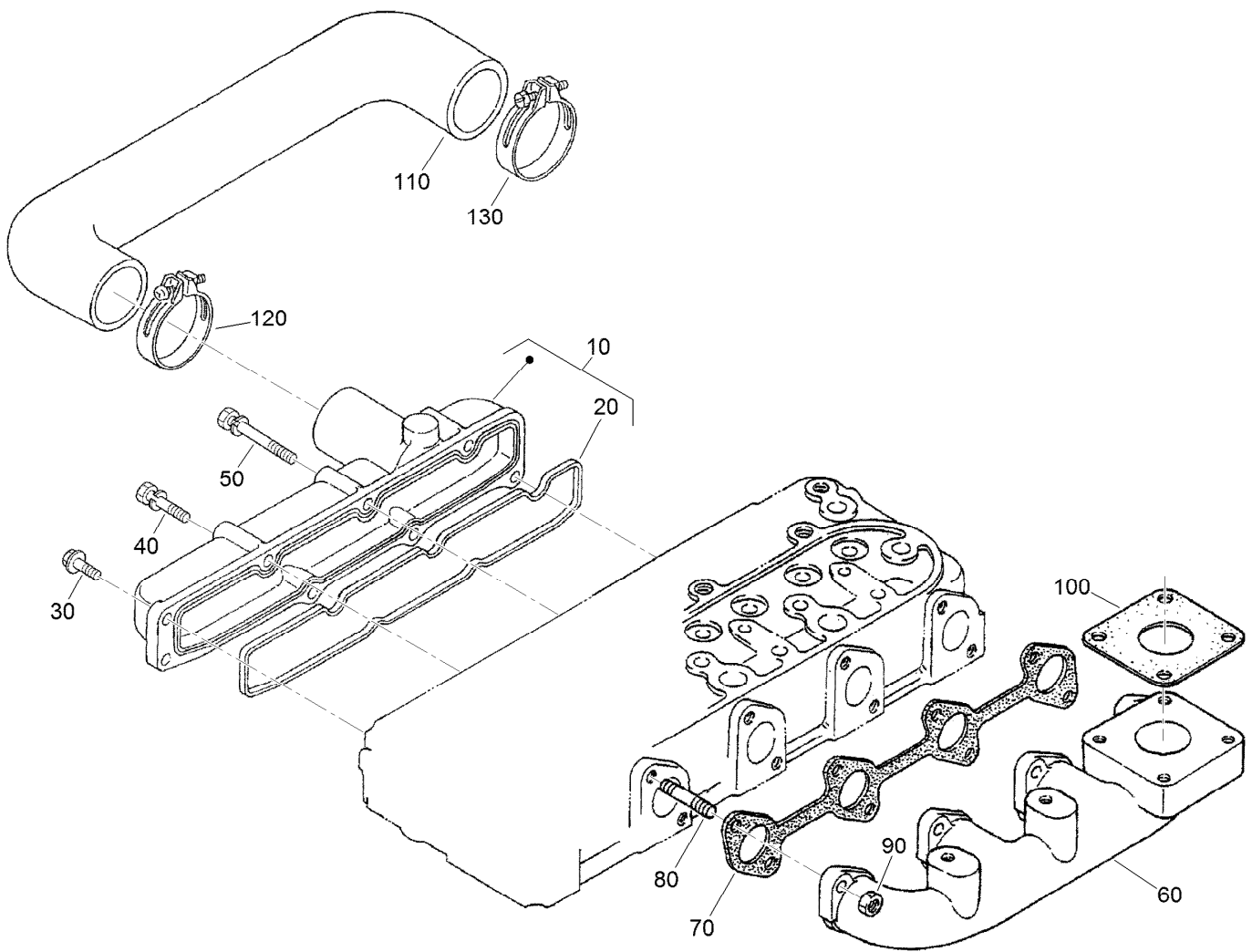
Water Pump Assembly

Ref.	Part Number	Qty.	Description
10	107-9089	1	Water Pump ASM
30	105-3750	1	Mechanical Seal ASM
40	112-7017	1	Impeller-Pump, Water
50	100-1932	1	Pipe-Return, Water
60	99-3454	1	Gasket-Pump, Water
70	98-9353	4	Bolt
80	107-9090	2	Bolt
90	99-3516	1	Flange-Pump, Water
100	98-9716	1	Pipe-Water
110	107-9091	1	Pipe-Water
120	98-9717	2	Clamp



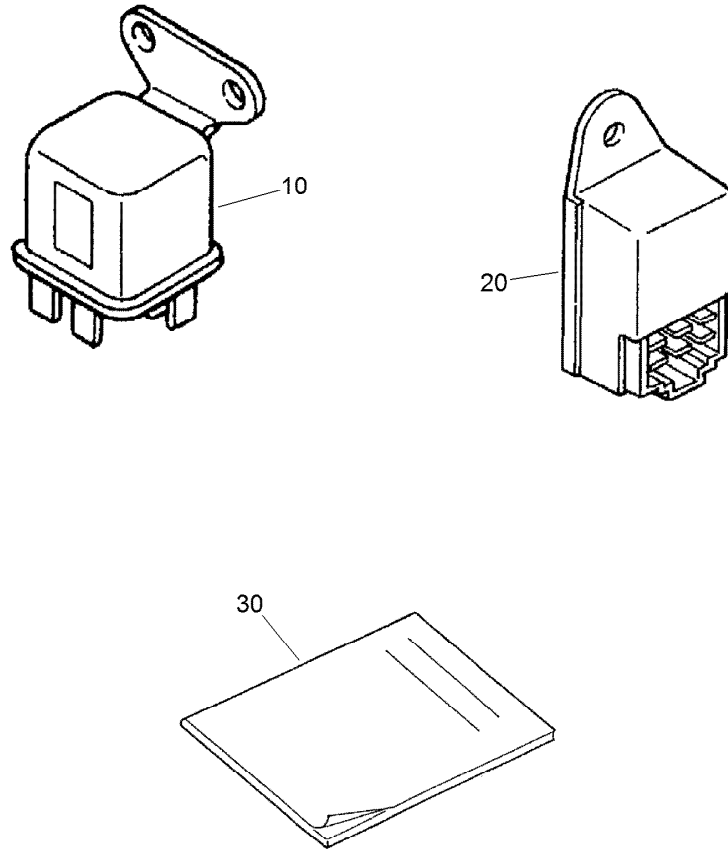
Valve and Rocker Arm Assembly

<i>Ref.</i>	<i>Part Number</i>	<i>Qty.</i>	<i>Description</i>	<i>Ref.</i>	<i>Part Number</i>	<i>Qty.</i>	<i>Description</i>
10	112-7018	4	Valve-Inlet	110	98-9506	4	Stud
20	120-2564	4	Valve-Exhaust	120	98-9393	4	Nut
30	98-9648	8	Spring-Valve	130	98-9385	4	Washer-Flat
40	107-9092	8	Retainer-Spring	140	105-3758	1	Pin-Spring
50	117-7572	8	Collet-Spring, Valve	150	98-9507	2	Washer-Shaft, Rocker Arm
60	99-8385	8	Seal-Stem, Valve	160	110-3832	2	Washer-Plain
70	98-9497	8	Cap-Valve	170	98-9504	3	Spring-Arm, Rocker
80	127-0420	1	Shaft-Arm, Rocker	190	112-7020	8	Rocker Arm ASM
90	99-8363	2	Bolt-Flange	200	98-9502	8	Screw-Adjusting
100	98-9505	4	Bracket-Arm, Rocker	210	98-9503	8	Nut



Intake and Exhaust Manifold Assembly

<i>Ref.</i>	<i>Part Number</i>	<i>Qty.</i>	<i>Description</i>
10	130-1257	1	Intake Manifold ASM
20	105-3760	1	Gasket-Manifold, Intake
30	127-0403	3	Bolt-Flange
40	98-9353	2	Bolt
50	125-9063	3	Bolt-Sems
60	130-1268	1	Manifold-Exhaust
70	105-3765	1	Gasket-Manifold, Exhaust
80	98-9588	8	Stud
90	98-9665	8	Nut
100	99-8343	2	Gasket-Muffler
110	130-1284	1	Pipe-Inlet
120	130-1196	2	Band-Pipe
130	130-1182	2	Band-Pipe



Miscellaneous Engine Parts

<i>Ref.</i>	<i>Part Number</i>	<i>Qty.</i>	<i>Description</i>
10	130-1244	1	Relay ASM
20	130-1211	1	Timer-Lamp, Glow
30	115-4104	1	Operator Manual

Attachments and Accessories

For 30657 LT3340 Heavy-Duty Triple Turf Mower Traction Unit

Product Name	Model/Part
MK3 200mm (8in) 4-Blade Cutting Unit.....	02800
MK3 200mm (8in) 6-Blade Cutting Unit.....	02801
MK3 200mm (8in) 8-Blade Cutting Unit.....	02802
MK3 200mm (8in) 10-Blade Cutting Unit.....	02803
MK3 250mm (10in) 4-Blade Cutting Unit.....	02810
MK3 250mm (10in) 6-Blade Cutting Unit.....	02811
MK3 250mm (10in) 8-Blade Cutting Unit.....	02812
Beacon Kit	02901
Blower Carrier Kit.....	02903
ROPS Assist Kit.....	02905
Waste Bin Kit	02906
TÜV Kit - Speed Decal 20kph	02980
TÜV Kit - Deck Cover 3-gang.....	02982
TÜV Kit - German Vehicle Serial Plate.....	02983
Fuse-In Line.....	111-5101
Kevlar Tyre Kit	02914
Warning Triangle	111-4250
Road Light Kit (Includes Brake Light Kit).....	02915
Cab Mauser KS-534 (Including Heater).....	02890
Air Conditioning Kit	02891
Tuv Kit Instructions	111-5907
Tuv Kit Instructions	111-5240
Standard Seat Fabric Upgrade Kit.....	02864
Deluxe Replacement PVC Seat.....	02865
Deluxe Replacement Fabric Seat	02866
Floating Cutting Unit Kit, 3-Plex Mower.....	02820
Smooth Roller 200mm (8in) Cutting Unit.....	02822
Grooved Roller 200mm (8in) Cutting Unit.....	02823
Air Conditioning Fit Kit	02892



Count on it.