



Count on it.

Parts Catalog

Groundsmaster® 360
2-Wheel Drive Multi-Purpose Machine

Model No. 31230—Serial No. 31500001 and Up



Ordering Replacement Parts

To order replacement parts, please supply the part number, the quantity, and the description of each part desired.

Understanding Reference Numbers

Each identified part in an illustration has a reference number. The reference number for a part also appears in the parts list, along with other information about the part.

This catalog uses two special reference number formats, one to indicate parts in a service assembly and another to indicate the quantity of a given part in an illustration.

Service Assembly Reference Numbers

Parts in service assemblies have reference numbers in the form a:b. The a represents the reference number of the entire service assembly and the b represents a sequential number unique to each part within the service assembly.

For example, a wheel assembly might be identified by reference number 6, the tire by 6:1, the valve by 6:2, and the wheel by 6:3. When you order the assembly identified by reference number 6, you receive all parts identified by reference numbers 6:1, 6:2, and 6:3. However, you may also order any part individually. Reference numbers of this type appear in illustration and in parts lists.

Reference Numbers Indicating Quantity

In an illustration, if a reference number indicates more than one part, the reference number has the form nX y. The n represents the quantity of the part, the X is the multiplication symbol, and the y represents the reference number.

For example, in an illustration, the reference number 2X 37 means that two of the parts identified by reference number 37 are indicated.

List of Abbreviations

AR: as required

ASM: assembly

BBC: blade brake control

BHTF: button head thread forming

CARR: carriage

CCW: counter clockwise

CW: clockwise

DEG: degrees

DPA: Dual Point Adjustment

ECM: electronic control module

EXT: external

FH: flat head

GA: gauge

HD: heavy-duty

HF: hex flange

HH: hex head

HHF: hex head flange

HHFTF: hex head flange thread forming

HJ: hex jam

HLH: hex lag head

HOC: height-of-cut

HP: high pressure

HSBH: hex socket button head

HSFH: hex socket flat head

HSH: hex socket head

HWH: hex washer head

HWHTF: hex washer head thread forming

HYD: hydraulic

LH: left hand

LP: low pressure

LPG: Liquefied Petroleum Gas

NI: nylon insert

NPTF: national pipe thread fine

PFH: phillips flat head

PPH: phillips pan head

PPHTF: phillips pan head thread forming

PRH: phillips round head

PTH: phillips truss head

PTO: power-take-off

RH: right hand

ROPS: roll-over protection system

RRB: rear roller brush

SFH: slotted fillister head

SHH: slotted hex head

SHWH: slotted hex washer head

SPH: slotted pan head

SQH: square head

SRH: slotted round head

STD: standard

TAP: self tapping

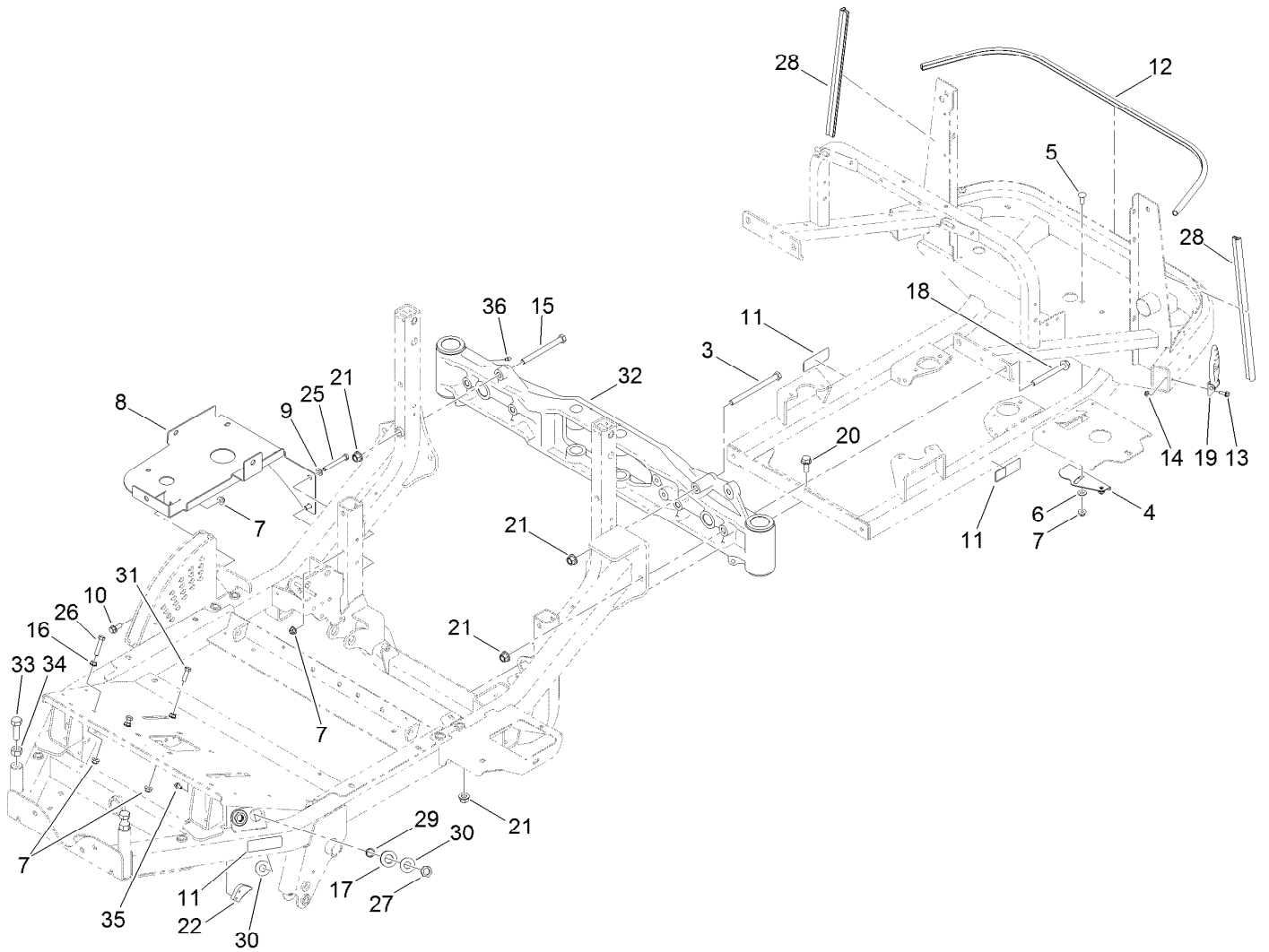
TTH: torx truss head

Contents

Frame and Rear Axle Assembly	5
Lift Shaft and Linkage Assembly	6
Hydraulic Cylinder Assembly No. 110-9834	7
Platform and Roll-Over Protection System Assembly	8
Front Axle and Tie Rod Assembly	10
Front Axle Assembly No. 119-1447	12
Hydraulic Cylinder Assembly No. 115-0060	13
Rear Steering Assembly	14
2 Wheel Drive Steering Assembly	16
Front Cover Assembly	17
Engine Component Assembly	18
Transmission Component Assembly	19
Charge Pump Housing Assembly Transmission Assembly No. 120-9140	20
Center Section Assembly Transmission Assembly No. 120-9140	21
Gear Case and Clutch Assembly Transmission Assembly No. 120-9140	22
Driveshaft Assembly No. 110-3575	23
Radiator Component Assembly	24
Radiator and Cooler Assembly	25
Muffler Assembly	26
Battery and Fuel Delivery Assembly	27
Air Cleaner Assembly	28
Fan Spacer and Thermostat Assembly	29
Engine Assembly	30
Steering Column Assembly	31
Steering Column Assembly No. 117-3371	32
Steering Valve Assembly No. 130-7948	33
Fuel Tank and Control Panel Component Assembly	34
Fuel Tank Assembly No. 120-0255	35
Seat Plate Assembly	36
2 Wheel Drive Module Control and Relay Assembly	37
Seat Assembly	38
Seat Assembly No. 107-2286	39
Seat Platform Assembly	40
Brake Pedal Assembly	41
Wheel and Brake Assembly	42
Right Hand Brake Assembly No. 120-0233	43
Left Hand Brake Assembly No. 120-0235	44
Wheel Motor and Spindle Assembly	45
Hydraulic Motor Assembly No. 117-3284 (CCW)	46
Hydraulic Motor Assembly No. 117-3285 (CW)	47
Traction Pedal Assembly	48
Storage Compartment Assembly	49
Neutral System Assembly	50
Deck Lift Valve and Hydraulic Fitting Assembly	52
Hydraulic Gear Pump Assembly No. 115-0375	54
Valve Assembly No. 131-1934	55
Hydraulic Tube and Hose Assembly	56
2 Wheel Drive Hydraulic Hose Assembly	58
Main Wire Harness Assembly	59
Hood Assembly	60
Crankcase Assembly	61
Oil Pan Assembly	62
Cylinder Head Assembly	63
Gear Case Assembly	64

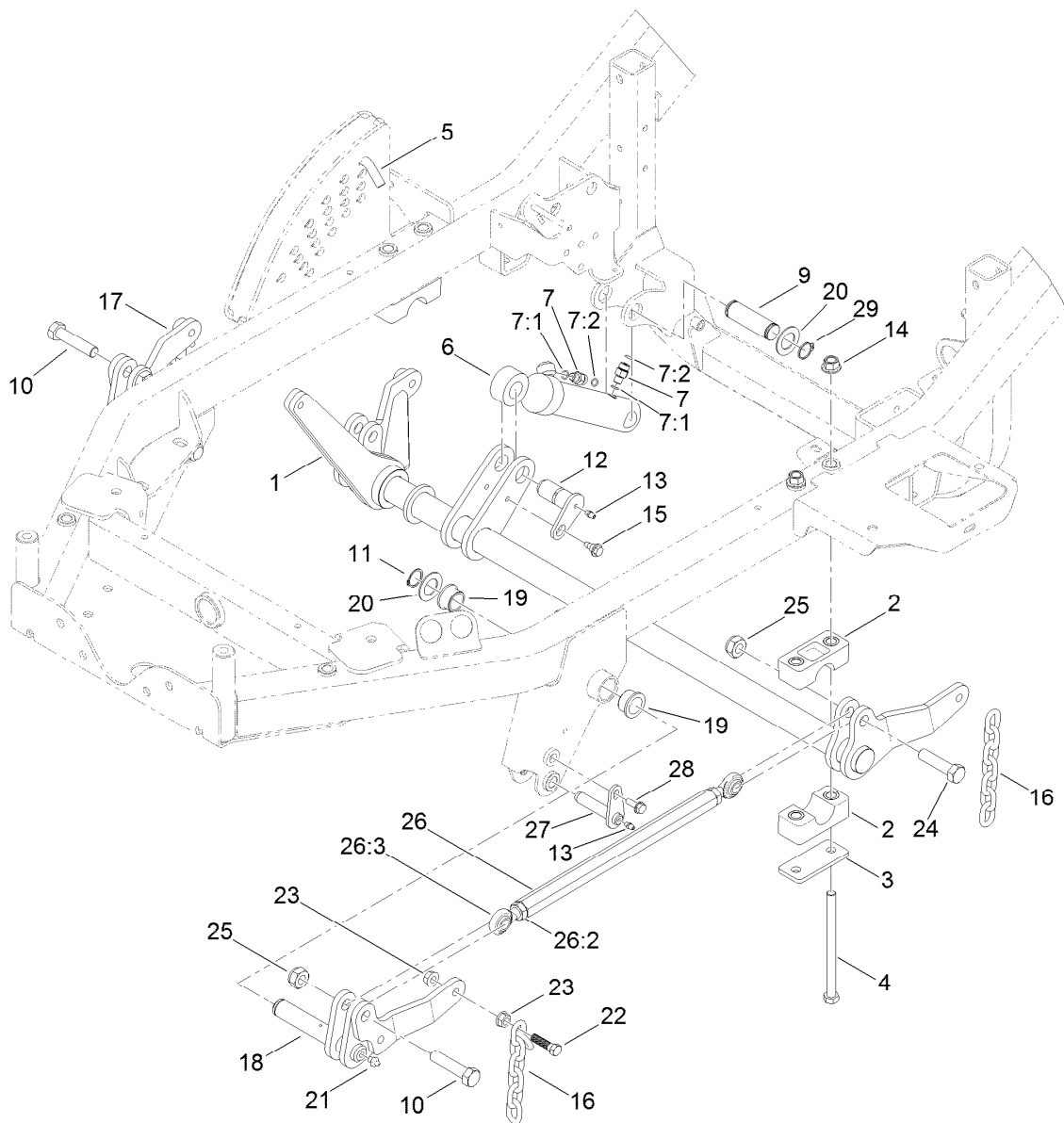
Contents (continued)

Cylinder Head Cover Assembly	65
Dipstick and Guide Assembly	66
Main Bearing Case Assembly	67
Cam Shaft and Idle Gear Assembly	68
Piston and Crankshaft Assembly	69
Flywheel Assembly	70
Fuel Camshaft and Governor Shaft Assembly	71
Idle Apparatus Assembly	72
Injection Pump Assembly	73
Governor Assembly	74
Speed Control Plate Assembly	75
Nozzle Holder and Glow Plug Assembly	76
Nozzle Holder Component Assembly	77
Alternator and Pulley Assembly	78
Alternator Components	79
Starter Assembly	80
Starter (Component Part) Assembly	81
Water Flange Assembly	82
Water Pump Assembly	83
Valve and Rocker Arm Assembly	84
Intake and Exhaust Manifold Assembly	85
Muffler Gasket and Operator Manual	86
Attachments and Accessories	87



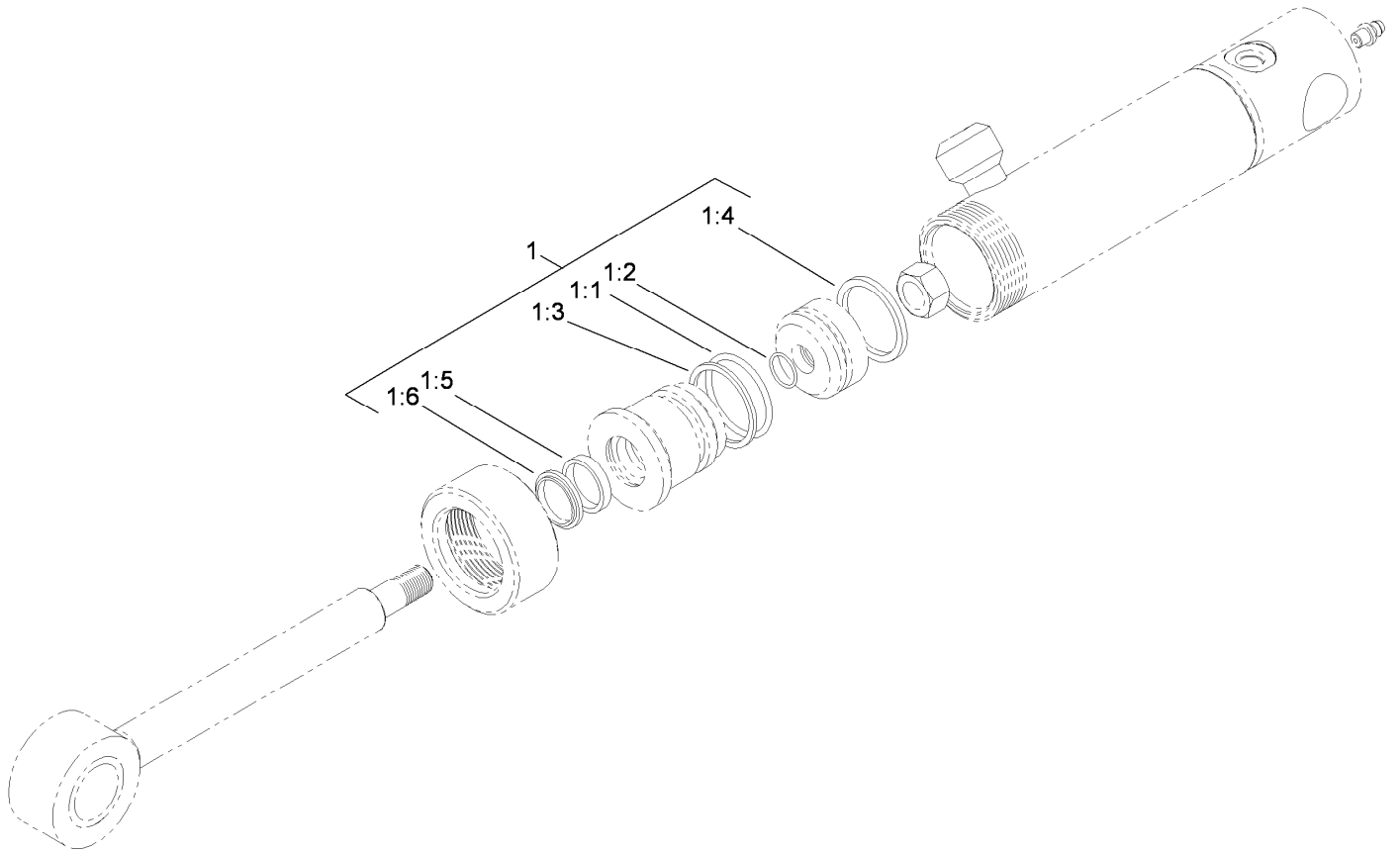
Frame and Rear Axle Assembly

Ref.	Part Number	Qty.	Description	Ref.	Part Number	Qty.	Description
3	325-33	1	Screw-HH	19	103-2898	2	Latch-Rubber
4	117-3190	1	Cover-Lower	20	3234-38	3	Screw-HHF
5	3231-22	2	Screw-CARR	21	99-5107	9	Nut-Lock
6	66-2920	2	Washer-Friction	22	99-7214	1	Pawl-Brake
7	104-8301	8	Nut-Flange, NI	25	323-14	2	Screw-HH
8	117-3385-03	1	Bracket-Tank, HYD	26	323-53	2	Screw-HH
9	3256-24	2	Washer-Flat	27	340-70	2	Nut-Lock
10	3234-24	1	Screw-HHF	28	107-2269	2	Seal-Bulb
11	106-9206	4	Decal-Torque, Wheel	29	69-8970	2	Spacer
12	117-3311	1	Seal-Bulb	30	69-8940	4	Washer
13	3234-4	2	Screw-HHF	31	323-7	1	Screw-HH
14	104-7201	2	Nut-Flange, NI	32	119-1448	1	Rear Axle ASM
15	325-22	1	Screw-HH	33	327-6	2	Screw-HH
16	3290-357	3	Nut-HHF, Whiz	34	3217-11	2	Nut-Hex
17	240-4	2	Grommet-Rubber	35	3234-13	2	Screw-HHF
18	117-3176	4	Screw-HHF	36	302-5	2	Fitting-Grease



Lift Shaft and Linkage Assembly

Ref.	Part Number	Qty.	Description	Ref.	Part Number	Qty.	Description
1	115-0190-03	1	Shaft-Lift	16	119-1385	4	Chain-HOC
2	115-0491	4	Cap-Bearing	17	119-1380-03	1	Lift-RH
3	117-2903	2	Plate-Bearing	18	119-1383-03	1	Lift-LH
4	325-37	4	Screw-HH	19	114-5680	4	Bushing-Flange
5	112-9544	1	Pin-HOC	20	69-9010	4	Washer
6	110-9834	1	HYD Cylinder ASM	21	302-2	2	Fitting-Grease
7	340-92	2	Fitting-HYD, Straight	22	103-1898	4	Screw-HH
7:1	237-78	1	O-Ring	23	32128-37	8	Nut-HF
7:2	237-21	1	O-Ring	24	327-7	2	Screw-HH
9	115-0183	1	Shaft-Cylinder, Lift	25	3296-61	4	Nut-Lock
10	327-8	2	Screw-HH	26	114-4059	2	Link ASM
11	32151-29	2	Ring-Retaining	26:2	3220-6	2	Nut-Jam
12	125-1910	1	Pin-Pivot	26:3	1-633029	2	Balljoint-Spherical
13	302-5	3	Fitting-Grease	27	112-1602	2	Pin-Retainer
14	99-5107	4	Nut-Lock	28	32144-41	2	Screw-Taptite
15	99-5105	1	Bolt-Shoulder	29	32151-36	2	Ring-Retaining

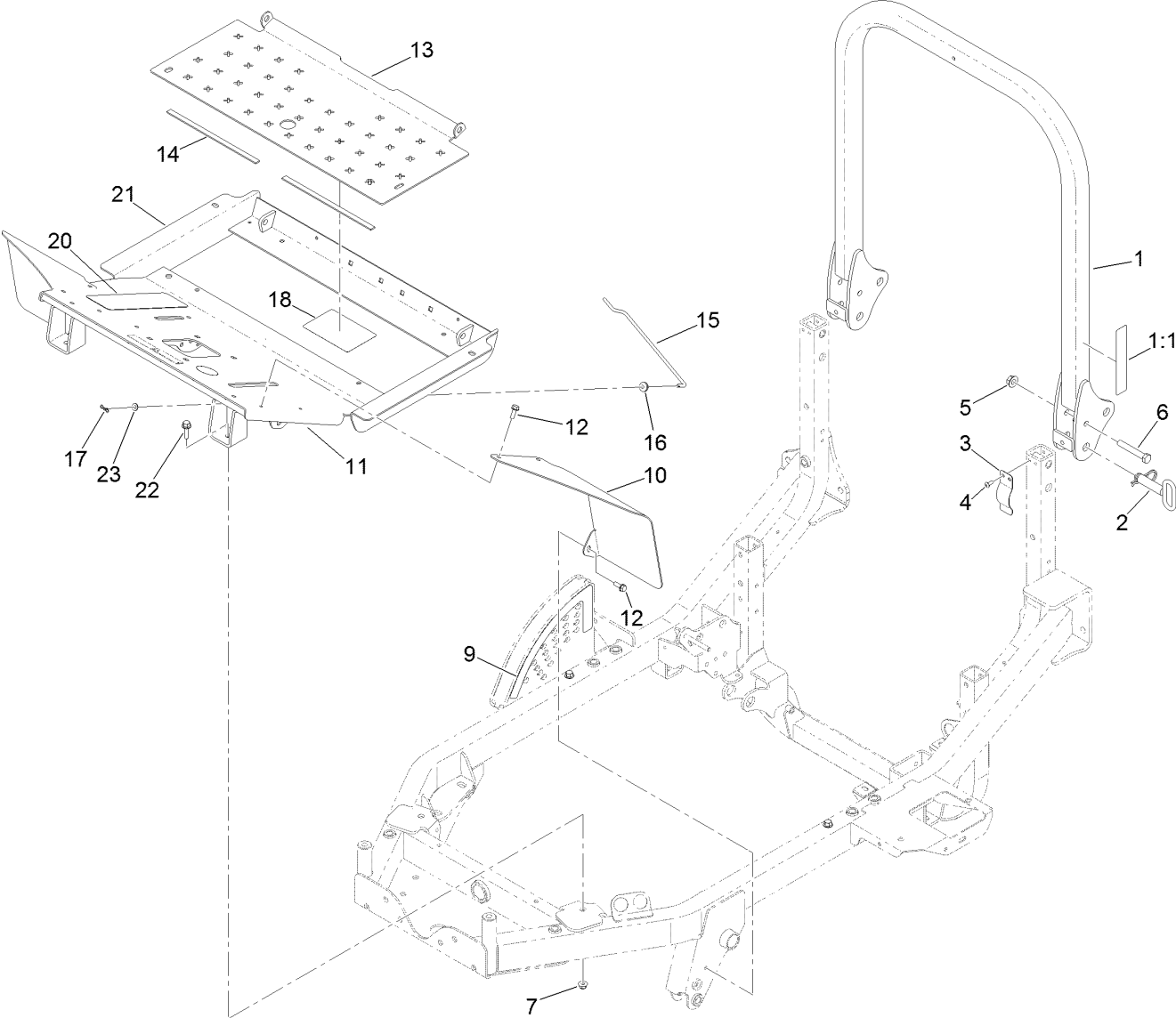


Hydraulic Cylinder Assembly No. 110-9834

<i>Ref.</i>	<i>Part Number</i>	<i>Qty.</i>	<i>Description</i>
1	112-6353	1	Seal Kit
1:1		1	O-Ring ●
1:2		1	O-Ring ●
1:3		1	Backup ●
1:4		1	Seal-Bp ●
1:5		1	Seal-Rod ●
1:6		1	Seal-Dust ●

● Not serviced separately

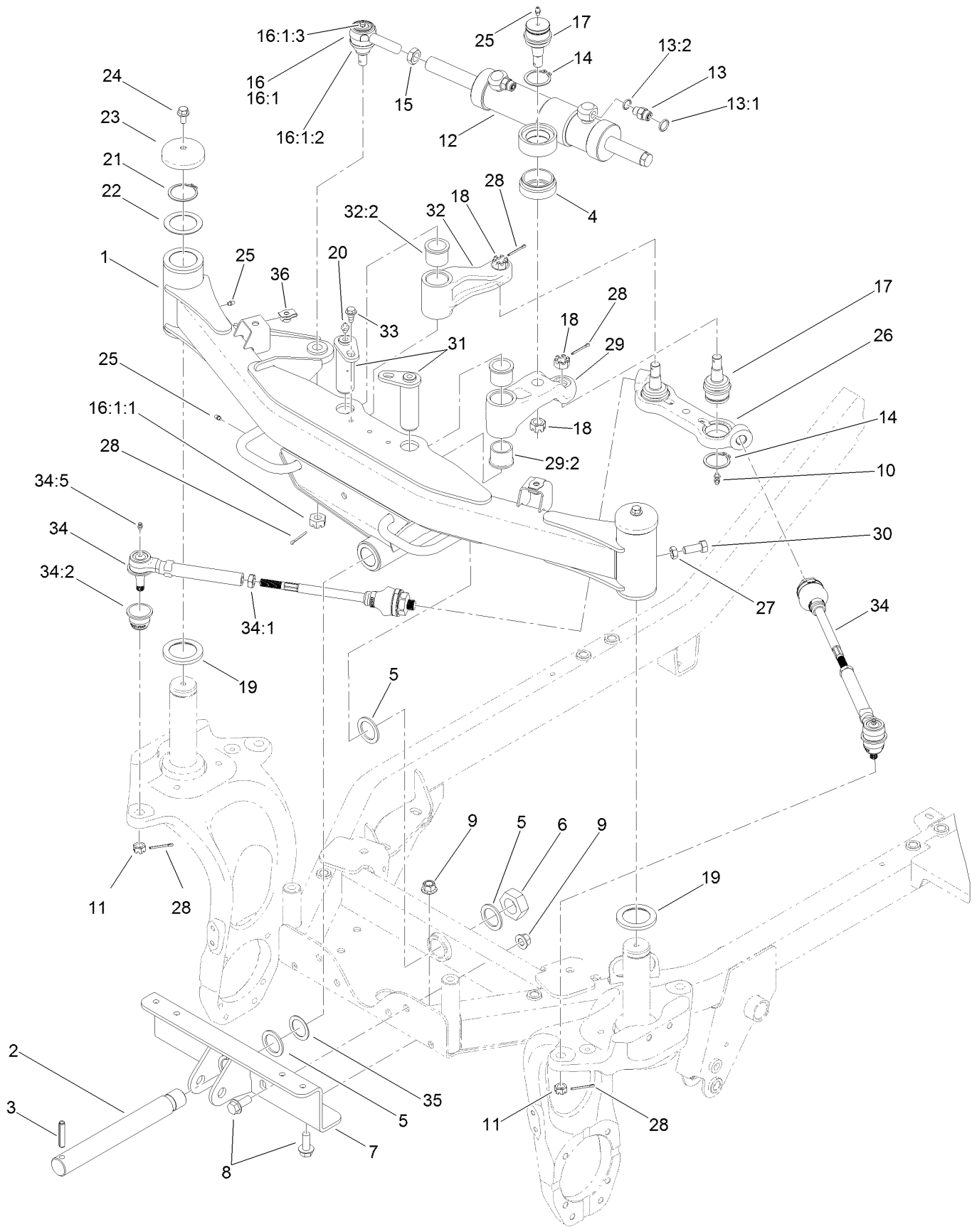
Platform and Roll-Over Protection System Assembly



Platform and Roll-Over Protection System Assembly (continued)

<i>Ref.</i>	<i>Part Number</i>	<i>Qty.</i>	<i>Description</i>	<i>Ref.</i>	<i>Part Number</i>	<i>Qty.</i>	<i>Description</i>
1	127-6520	1	ROPS ASM	12	32144-41	6	Screw-Taptite
1:1	117-3272	1	Decal-Danger, ROPS	13	117-3204-03	1	Plate-Floor
2	103-4553	2	Pin-Fold, ROPS	14	115-8827	2	Foam-Strip
3	110-5696	2	Spring-Leaf	15	110-9847	1	Rod-Prop
4	3290-412	4	Rivet	16	237-141	1	Grommet-Rubber
5	32128-23	2	Nut-HF	17	119-1414	1	Pin-Cotter, Locking
6	112-7264	2	Screw-HH	18	112-1461	1	Decal-Routing, Belt
7	104-8301	2	Nut-Flange, NI	20	71-0440	1	Abrasive-Pedal
9	115-0492	1	Decal-HOC	21	119-1398-01	1	Platform
10	117-3203-03	1	Fender-Front, LH	22	3234-24	4	Screw-HHF
11	117-3202-03	1	Fender-Front, RH	23	3256-22	1	Washer-Flat

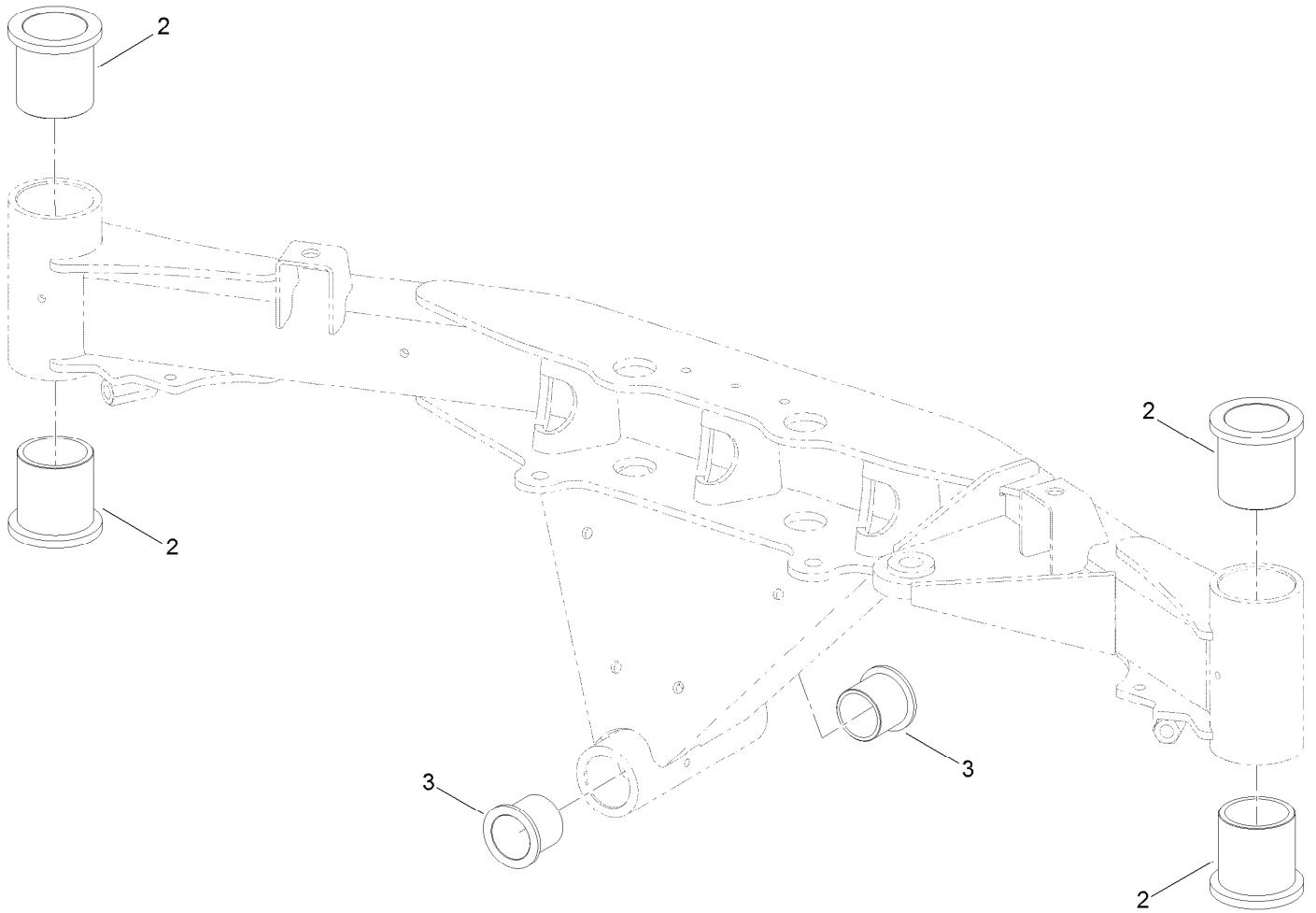
Front Axle and Tie Rod Assembly



Front Axle and Tie Rod Assembly (continued)

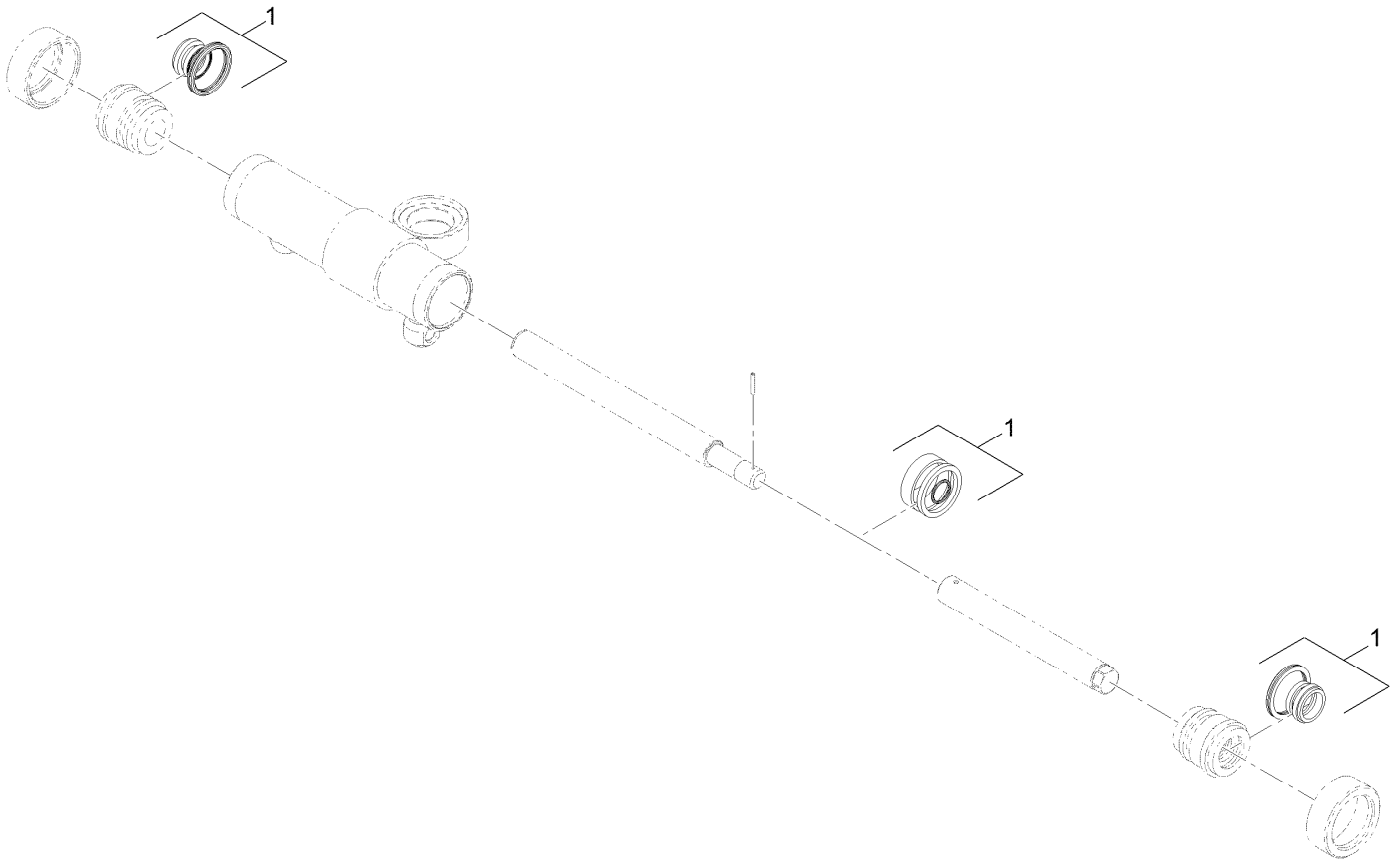
<i>Ref.</i>	<i>Part Number</i>	<i>Qty.</i>	<i>Description</i>	<i>Ref.</i>	<i>Part Number</i>	<i>Qty.</i>	<i>Description</i>
1	119-1447	1	Front Axle ASM	19	100-2508	2	Washer-Thrust
2	119-1376	1	Shaft-Pivot	20	302-2	2	Fitting-Grease
3	32121-110	1	Pin-Roll, Slotted	21	100-4196	2	Ring-Retaining
4	120-0238	1	Spacer-Cylinder	22	115-0169	2	Washer-Thrust
5	98-1452	3	Washer-Thrust	23	100-3362	2	Cap-Spindle
6	3296-68	1	Nut-Lock, NI	24	3234-12	2	Screw-HHF
7	117-2920-03	1	Support-Axle	25	302-5	4	Fitting-Grease
8	3234-38	6	Screw-HHF	26	117-2986	1	Centerlink
9	99-5107	6	Nut-Lock	27	3218-5	2	Nut-Jam
10	302-60	2	Fitting-Grease	28	3272-12	6	Pin-Cotter
11	32136-3	2	Nut-SHH	29	120-0391	1	Front LH Arm ASM
12	115-0060	1	HYD Cylinder ASM	29:2	94-8947	2	Bushing-Flange
13	340-2	2	Fitting-HYD, Straight	30	325-6	2	Screw-HH
13:1	237-22	1	O-Ring	31	117-3167	2	Front Pin ASM
13:2	237-42	1	O-Ring	32	120-0390	1	Front RH Arm ASM
14	32151-104	3	Ring-Retaining, External	32:2	94-8947	2	Bushing-Flange
15	84-5300	1	Nut-Jam	33	99-5105	2	Bolt-Shoulder
16	71-4740-03	1	RH Tie Rod End ASM	34	117-2983	2	Rod-Tie, Front
16:1		1	End-Rod, Tie (RH)●	34:1	42-9650	1	Nut-Hex, Jam
16:1:1	105-7941	1	Nut-Hex, Slotted	34:2	117-3287	1	Dust Boot
16:1:2	105-7835	1	Seal	34:5	302-5	1	Fitting-Grease
16:1:3	302-5	1	Fitting-Grease	35	93-4628	1	Washer
17	106-6774	3	Joint-Ball	36	105-4886	2	Nut-Tinnerman
18	32136-2	3	Nut-SHH				

● Not serviced separately



Front Axle Assembly No. 119-1447

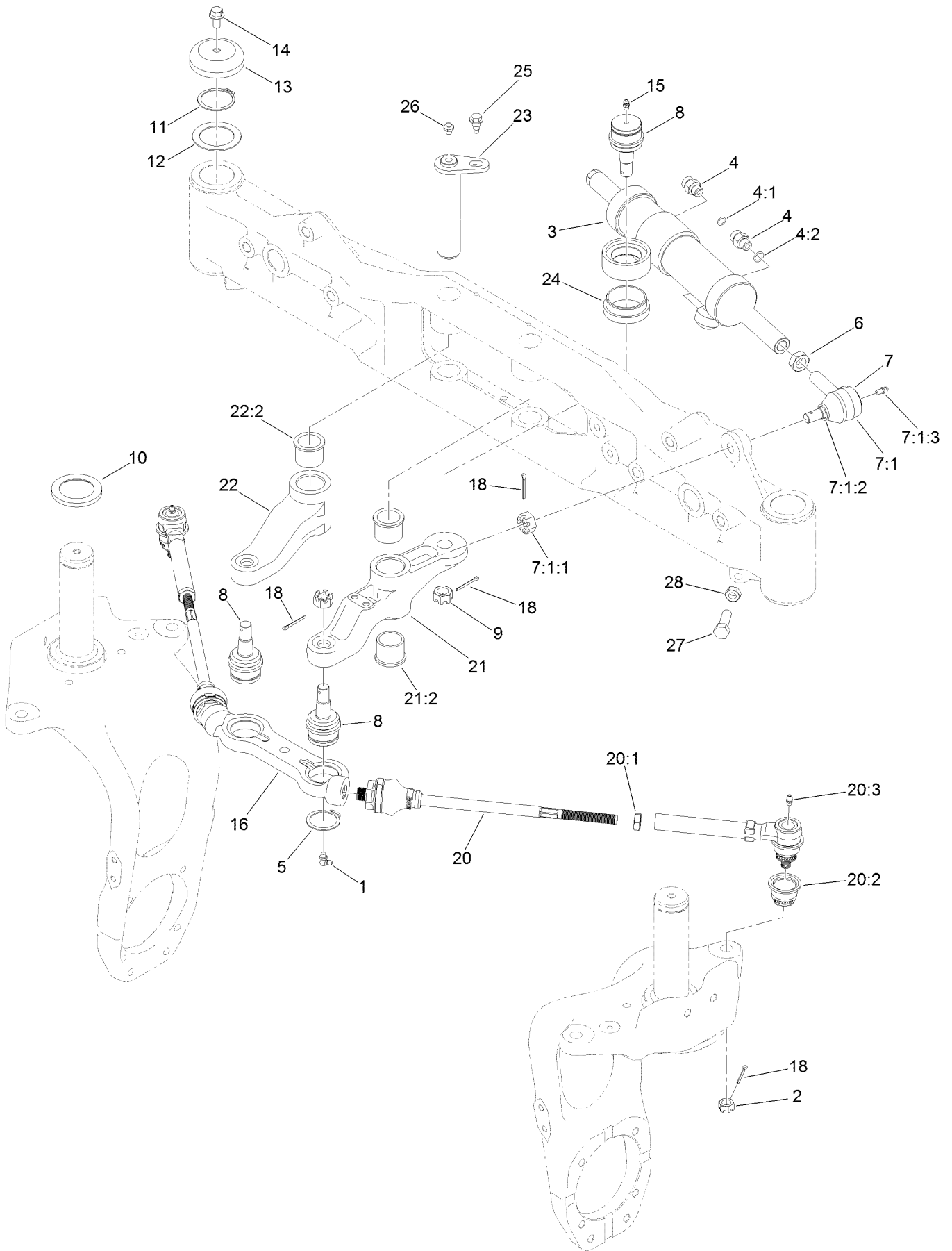
<i>Ref.</i>	<i>Part Number</i>	<i>Qty.</i>	<i>Description</i>
2	125-4386	4	Bushing-Castor
3	69-6470	2	Bushing-Castor



Hydraulic Cylinder Assembly No. 115-0060

<i>Ref.</i>	<i>Part Number</i>	<i>Qty.</i>	<i>Description</i>
1	120-2557	1	Seal Kit

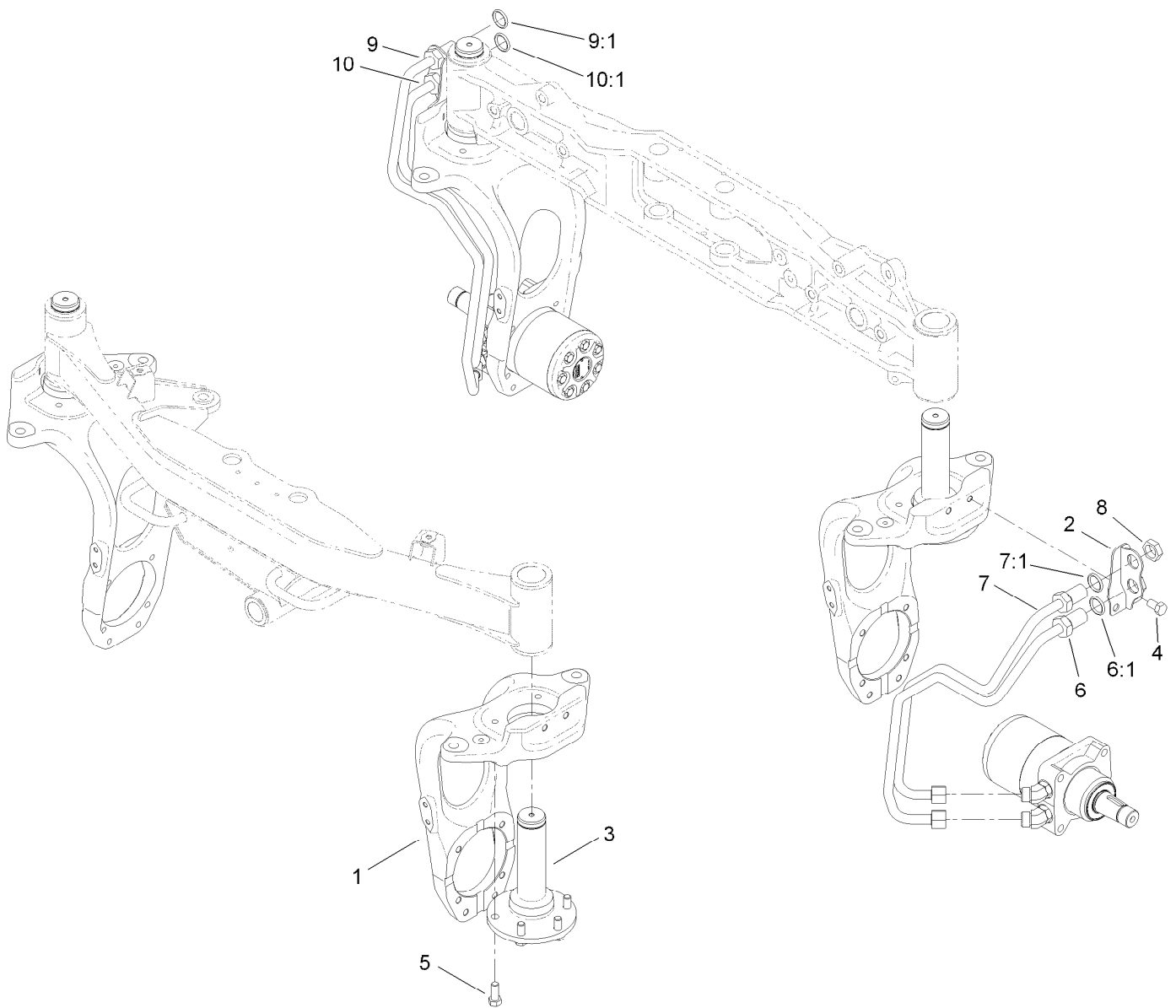
Rear Steering Assembly



Rear Steering Assembly (continued)

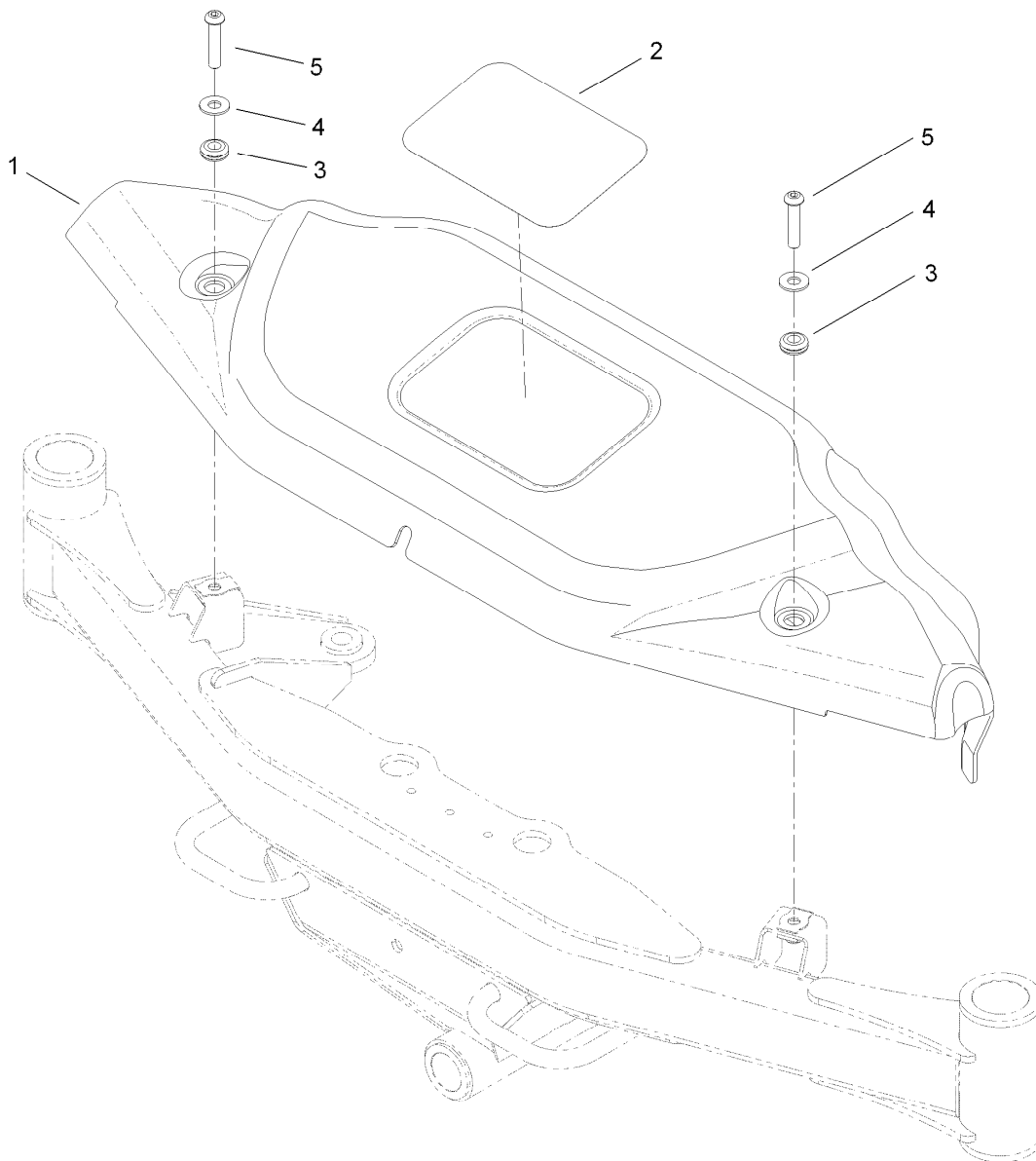
<i>Ref.</i>	<i>Part Number</i>	<i>Qty.</i>	<i>Description</i>	<i>Ref.</i>	<i>Part Number</i>	<i>Qty.</i>	<i>Description</i>
1	302-60	2	Fitting-Grease	14	3234-12	2	Screw-HHF
2	32136-3	2	Nut-SHH	15	302-5	1	Fitting-Grease
3	115-0060	1	HYD Cylinder ASM	16	117-2986	1	Centerlink
4	340-2	2	Fitting-HYD, Straight	18	3272-12	6	Pin-Cotter
4:1	237-22	1	O-Ring	20	117-2984	2	Rod-Tie, Rear
4:2	237-42	1	O-Ring	20:1	42-9650	1	Nut-Hex, Jam
5	32151-104	3	Ring-Retaining, External	20:2	117-3287	1	Dust Boot
6	84-5300	1	Nut-Jam	20:3	302-5	1	Fitting-Grease
7	71-4740-03	1	RH Tie Rod End ASM	21	120-0393	1	Rear LH Arm ASM
7:1		1	End-Rod, Tie (RH) ●	21:2	94-8947	2	Bushing-Flange
7:1:1	105-7941	1	Nut-Hex, Slotted	22	120-0392	1	Rear RH Arm ASM
7:1:2	105-7835	1	Seal	22:2	94-8947	2	Bushing-Flange
7:1:3	302-5	1	Fitting-Grease	23	117-3137	2	Pin ASM
8	106-6774	3	Joint-Ball	24	120-0238	1	Spacer-Cylinder
9	32136-2	3	Nut-SHH	25	99-5105	2	Bolt-Shoulder
10	100-2508	2	Washer-Thrust	26	302-2	2	Fitting-Grease
11	100-4196	2	Ring-Retaining	27	325-6	2	Screw-HH
12	115-0169	2	Washer-Thrust	28	3218-5	2	Nut-Jam
13	100-3362	2	Cap-Spindle				

● Not serviced separately



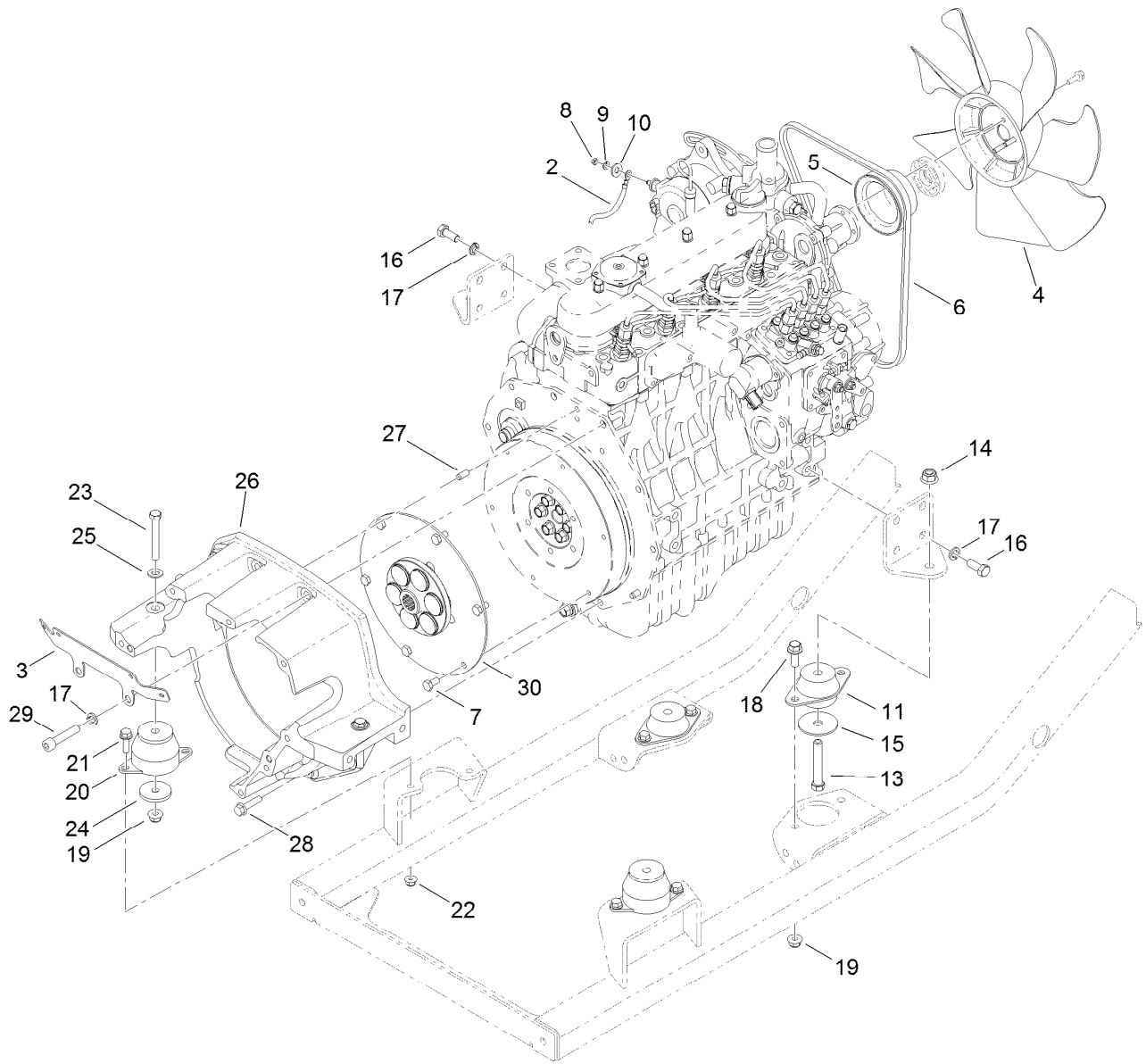
2 Wheel Drive Steering Assembly

Ref.	Part Number	Qty.	Description
1	117-2951	4	Base-Fork, Steer
2	119-1410-03	2	Bracket-Bulkhead
3	117-3361	4	Spindle-Steer
4	325-3	4	Screw-HH
5	117-3266	20	Screw-HH
6	117-2948	1	Upper Tube ASM (Lrff)
6:1	237-65	1	O-Ring
7	117-2949	1	Lower Tube ASM (Lrff)
7:1	237-65	1	O-Ring
8	340-74	4	Nut-Lock, Bulkhead
9	117-2946	1	Upper Tube ASM (Rrff)
9:1	237-65	1	O-Ring
10	117-2947	1	Lower Tube ASM (Rrff)
10:1	237-65	1	O-Ring



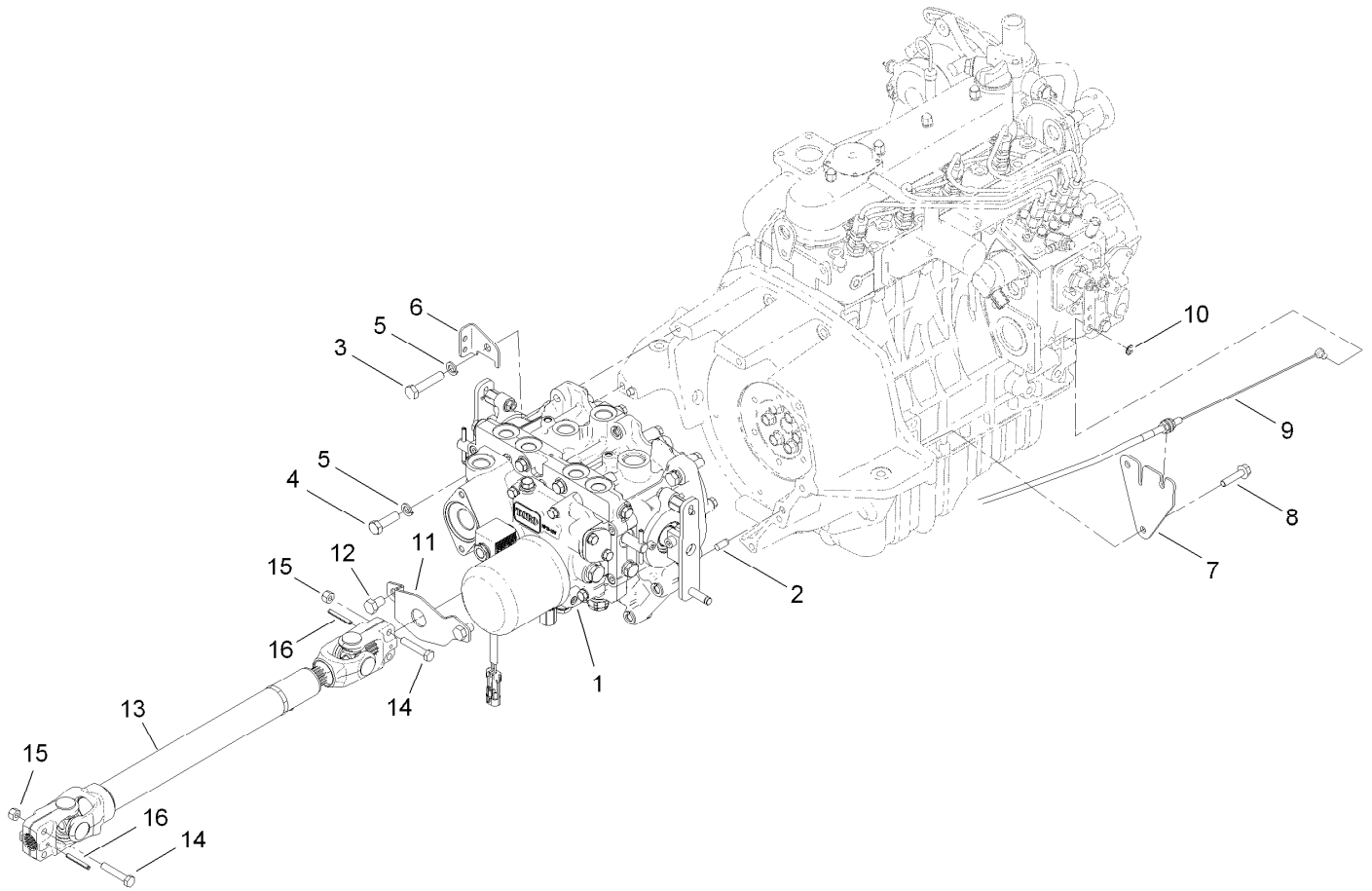
Front Cover Assembly

<i>Ref.</i>	<i>Part Number</i>	<i>Qty.</i>	<i>Description</i>
1	119-9895	1	Cover-Front
2	104-7213	1	Decal
3	1-633630	2	Grommet
4	100-7403	2	Washer-Flat
5	95-3857	2	Screw-HSBH



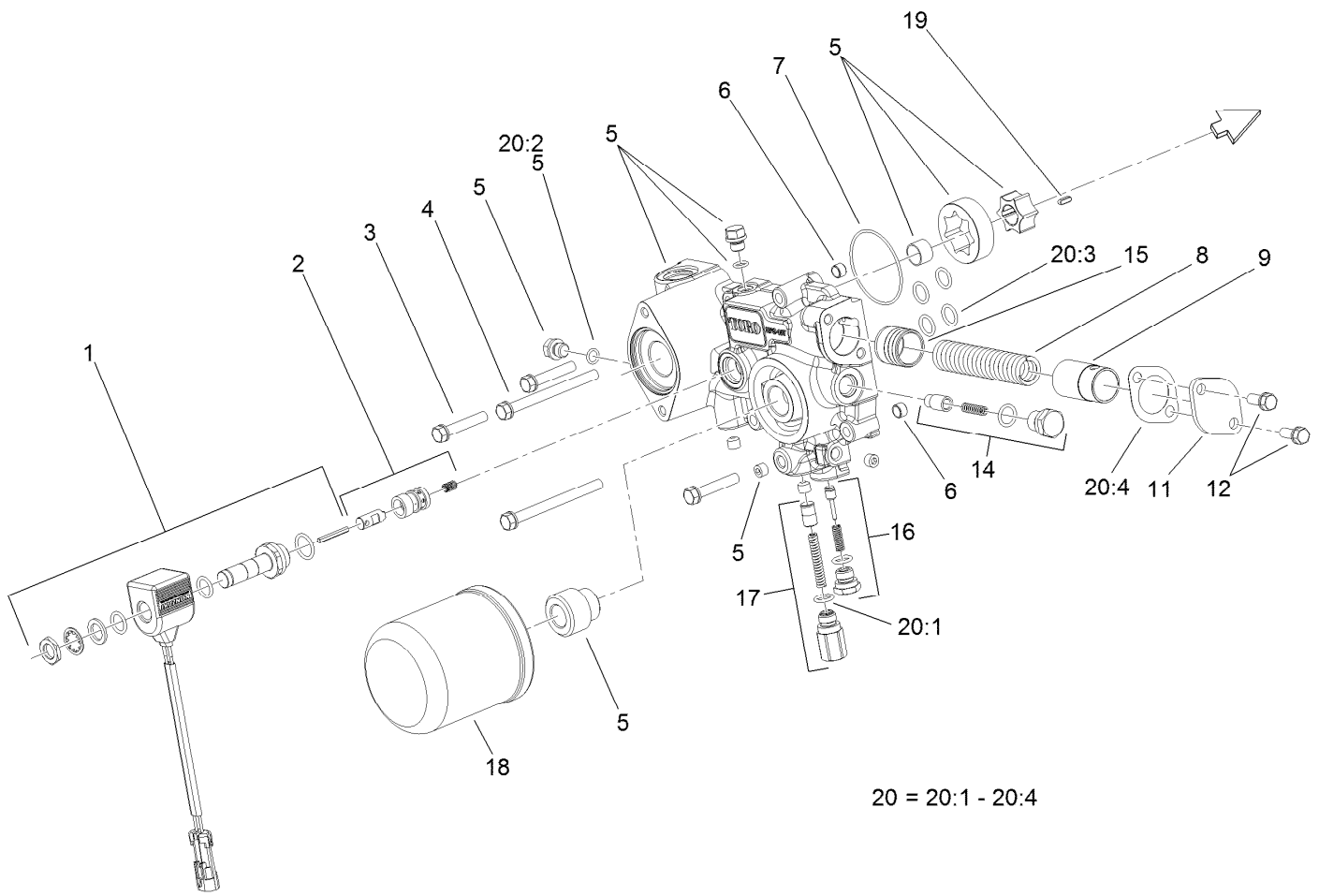
Engine Component Assembly

<i>Ref.</i>	<i>Part Number</i>	<i>Qty.</i>	<i>Description</i>	<i>Ref.</i>	<i>Part Number</i>	<i>Qty.</i>	<i>Description</i>
2	100-5552	1	Harness-Wire	17	48-9590	10	Washer-Lock
3	117-3173-03	1	Support-Cable	18	3234-42	4	Screw-HHF
4	107-9096	1	Fan-Cooling	19	104-8301	6	Nut-Flange, NI
5	99-3453	1	Pulley-Fan	20	107-2289	2	Mount-Motor
6	115-0123	1	V-Belt	21	3234-17	4	Screw-HHF
7	99-5132	6	Bolt	22	104-8300	4	Nut-Flange, NI
8	33013-00	1	Nut-Hex	23	323-13	2	Screw-HH
9	43-5930	1	Washer-Lock, Spring	24	80-8560	2	Washer-Hardened
10	3256-2	1	Washer-Flat	25	3256-24	2	Washer-Flat
11	53-9681	2	Mount-Engine	26	125-9219	1	Housing-Flywheel
13	324-11	2	Screw-HH	27	87-1910	2	Pin-Dowel
14	114-8417	2	Nut-HF, NI	28	33104-035	6	Screw-HHF
15	87-5100	2	Washer-Snubbing	29	3274-106	2	Screw-HSH
16	43-0090	8	Screw-HH	30	110-9729	1	Coupling-Flywheel



Transmission Component Assembly

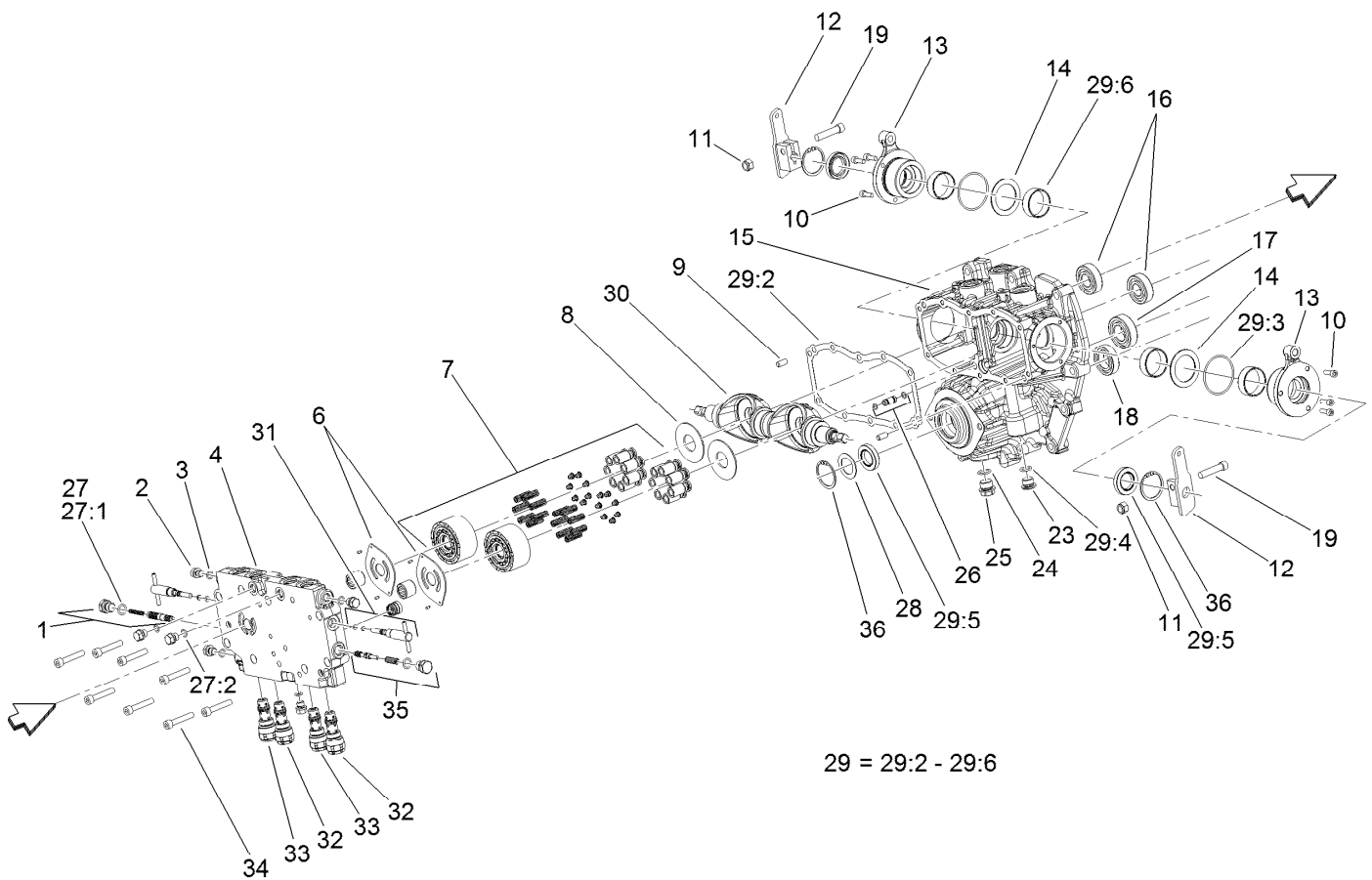
<i>Ref.</i>	<i>Part Number</i>	<i>Qty.</i>	<i>Description</i>	<i>Ref.</i>	<i>Part Number</i>	<i>Qty.</i>	<i>Description</i>
1	120-9140	1	Transmisson ASM	9	115-0339	1	Cable-Throttle/Choke
2	87-1910	2	Pin-Dowel	10	701197	1	E-Ring
3	33115-050	6	Screw-HH	11	114-4088	1	Shield-Seal
4	33115-035	1	Screw-HH	12	33115-016	2	Screw-HH
5	48-9590	7	Washer-Lock	13	110-3575	1	Driveshaft ASM
6	120-0239	1	Support-Tube	14	322-9	4	Screw-HH
7	114-4060	1	Bracket-Throttle	15	3296-29	4	Nut-Lock, NI
8	33104-035	2	Screw-HHF	16	32121-34	2	Pin-Roll



Charge Pump Housing Assembly Transmission Assembly No. 120-9140

<i>Ref.</i>	<i>Part Number</i>	<i>Qty.</i>	<i>Description</i>
1	107-0851	1	Solenoid ASM
2	107-0850	1	Solenoid Valve ASM
3	107-0863	3	Bolt
4	107-0864	2	Bolt
5	107-0840	1	Pump Body ASM
6	107-0848	2	Pin
7	107-0856	1	O-Ring
8	107-0845	1	Spring
9	107-0844	1	Collar
11	107-0846	1	Cover
12	93-0457	2	Bolt And Washer ASM

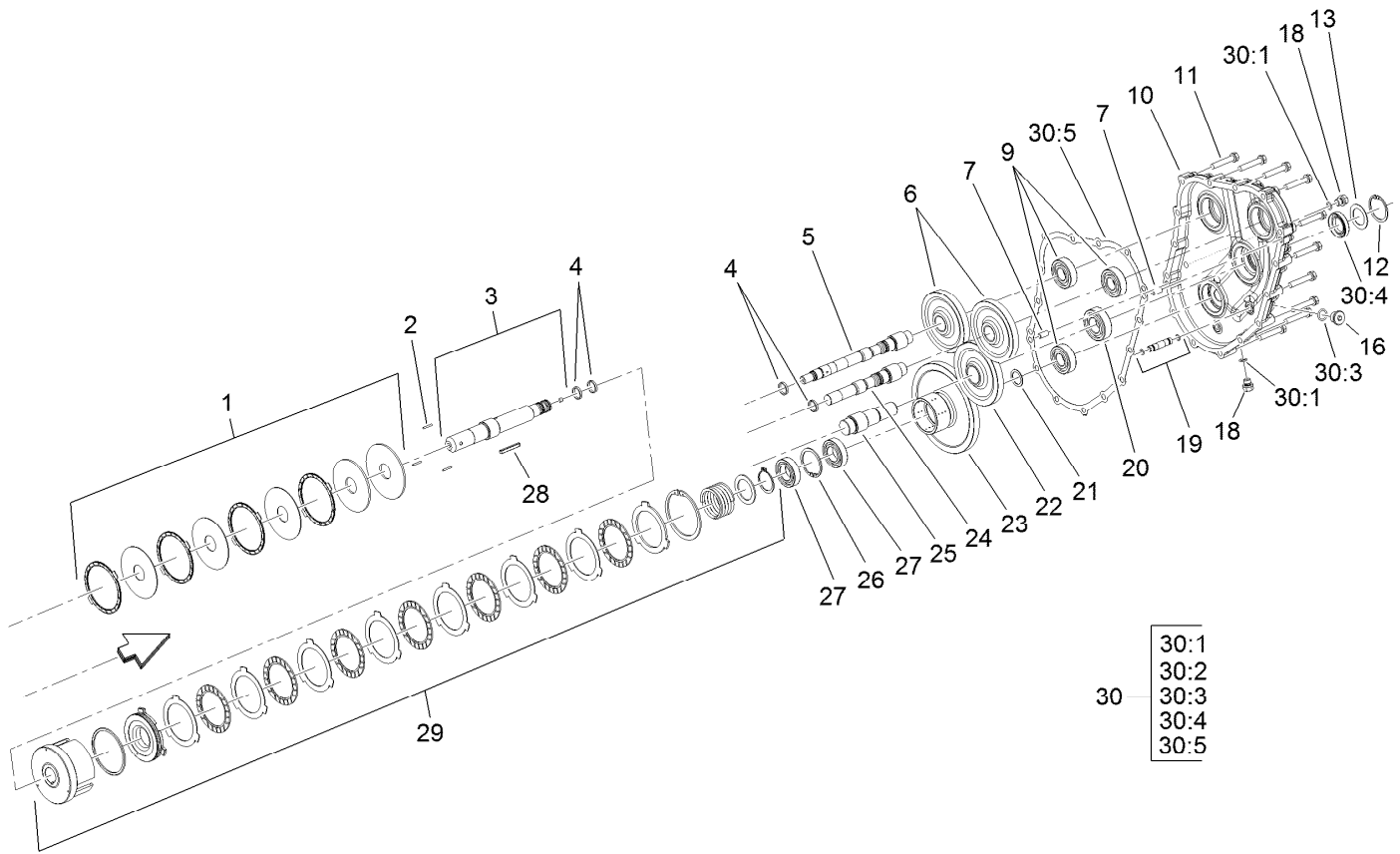
<i>Ref.</i>	<i>Part Number</i>	<i>Qty.</i>	<i>Description</i>
14	107-0843	1	Filter Bypass Valve ASM
15	107-0818	1	Piston
16	120-5153	1	Charge Relief Valve ASM
17	107-0841	1	Pressure Valve ASM
18	108-5194	1	Filter-Oil, HYD
19	107-0865	1	Key
20	107-0855	1	Charge Pump Seal Kit
20:1	93-0418	2	O-Ring
20:2	107-0817	2	O Ring-Plug
20:3	104-3298	6	Packing
20:4	107-0847	1	Gasket



29 = 29:2 - 29:6

Center Section Assembly Transmission Assembly No. 120-9140

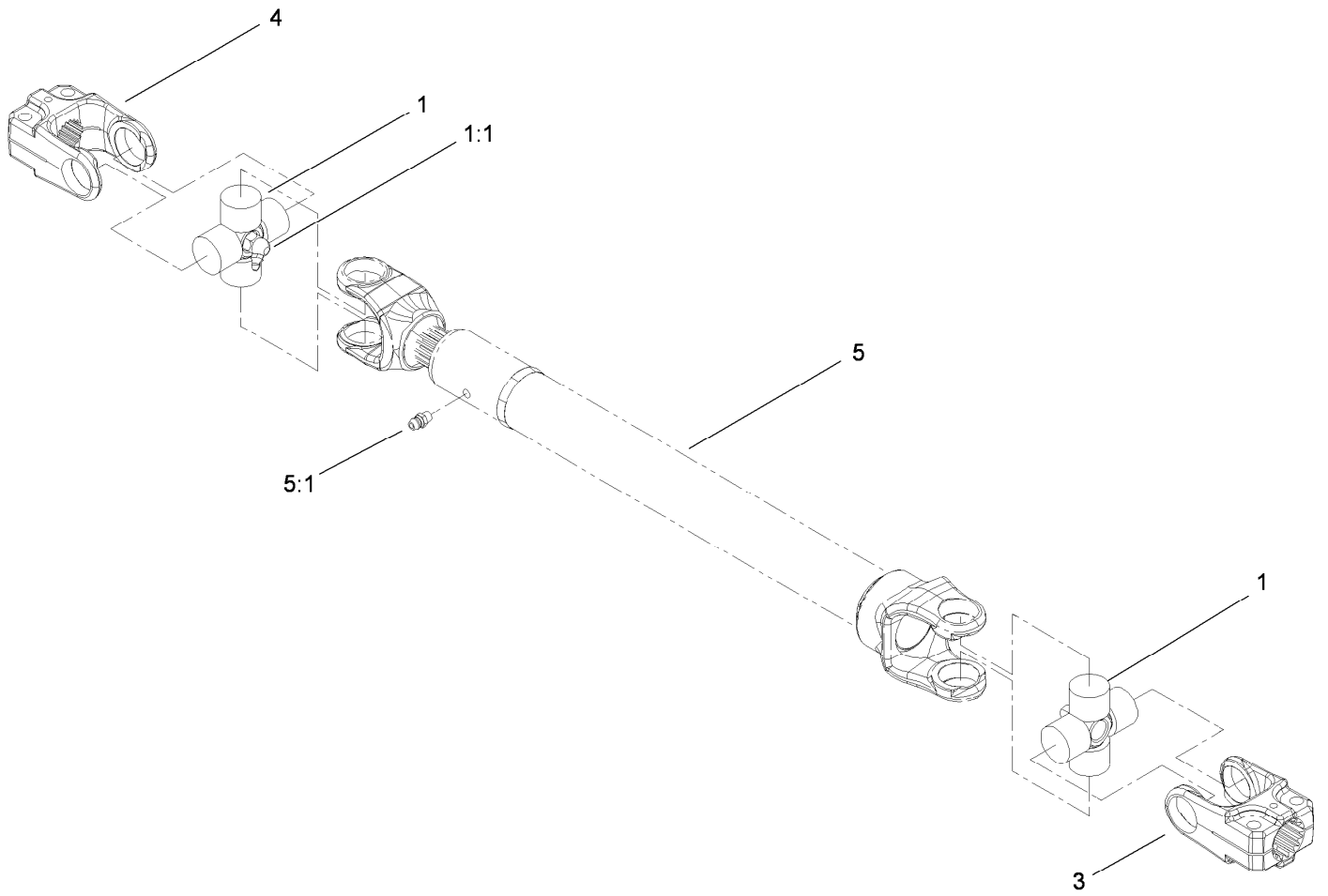
<i>Ref.</i>	<i>Part Number</i>	<i>Qty.</i>	<i>Description</i>	<i>Ref.</i>	<i>Part Number</i>	<i>Qty.</i>	<i>Description</i>
1	107-0807	1	Valve-Flushing, RH	25	107-0867	1	Plug
2	107-0857	6	Plug	26	107-0812	1	Pipe
3	107-0817	6	O Ring-Plug	27	107-0852	1	Center Case Seal Kit
4	120-5150	1	Center Case ASM	27:1	93-0418	2	O-Ring
6	107-0805	2	Plate-Valve	27:2	107-0817	6	O Ring-Plug
7	107-0824	2	Cylinder Block ASM	28	107-0813	1	Spacer
8	107-0830	2	Plate-Thrust	29	107-0853	1	Pump Housing Seal Kit
9	92-0765	4	Pin-Parallel	29:2	107-0810	1	Gasket-Case, Center
10	107-0859	6	Bolt	29:3	107-0817	2	O Ring-Plug
11	120-6681	2	U-Nut	29:4	104-3298	1	Packing
12	131-5505	2	Arm-Control	29:5	107-0814	3	Seal
13	107-0832	2	Side Cover ASM	29:6	107-0825	4	Ring-Seal
14	107-0829	2	Washer	30	120-6679	2	Plate-Swash
15	120-5151	1	Pump Housing ASM	31	107-0808	2	Valve-Bypass
16	107-0826	2	Bearing	32	120-6754	2	Valve-Rear
17	107-0821	1	Bearing	33	107-0803	2	Valve-Front
18	107-0838	1	Bearing	34	107-0863	8	Bolt
19	120-6682	2	Bolt	35	107-0806	1	Valve-Flushing, LH
23	107-0861	1	Plug-NPTF	36	92-0757	2	Ring-Snap
24	237-79	1	O-Ring				



Gear Case and Clutch Assembly Transmission Assembly No. 120-9140

<i>Ref.</i>	<i>Part Number</i>	<i>Qty.</i>	<i>Description</i>	<i>Ref.</i>	<i>Part Number</i>	<i>Qty.</i>	<i>Description</i>
1	107-0839	1	PTO Brake ASM	21	107-0836	1	Spacer
2	107-0837	3	Rod-Push	22	107-0820	1	Gear-Input
3	107-0833	1	PTO Shaft ASM	23	107-0834	1	Gear-PTO
4	107-0825	2	Ring-Seal	24	107-0822	1	Shaft-Pump
5	107-0827	1	Shaft-Pump	25	107-0819	1	Shaft-Input
6	107-0823	2	Gear-Pump	26	92-0758	1	Ring-Snap
7	92-0765	4	Pin-Parallel	27	107-0838	3	Bearing
9	107-0826	4	Bearing	28	107-0866	1	Key
10	120-5152	1	Housing-Case, Gear	29	107-0835	1	Clutch Cylinder ASM
11	107-0863	13	Bolt	30	107-0854	1	Gear Housing Seal Kit
12	92-0757	1	Ring-Snap	30:1	107-0817	2	O Ring-Plug
13	107-0813	1	Spacer	30:2		2	O-Ring ●
16	107-0861	1	Plug-NPTF	30:3	104-3298	1	Packing
18	107-0857	6	Plug	30:4	107-0814	1	Seal
19	107-0811	1	Pipe	30:5	107-0816	1	Gasket-Housing, Gear
20	107-0821	2	Bearing				

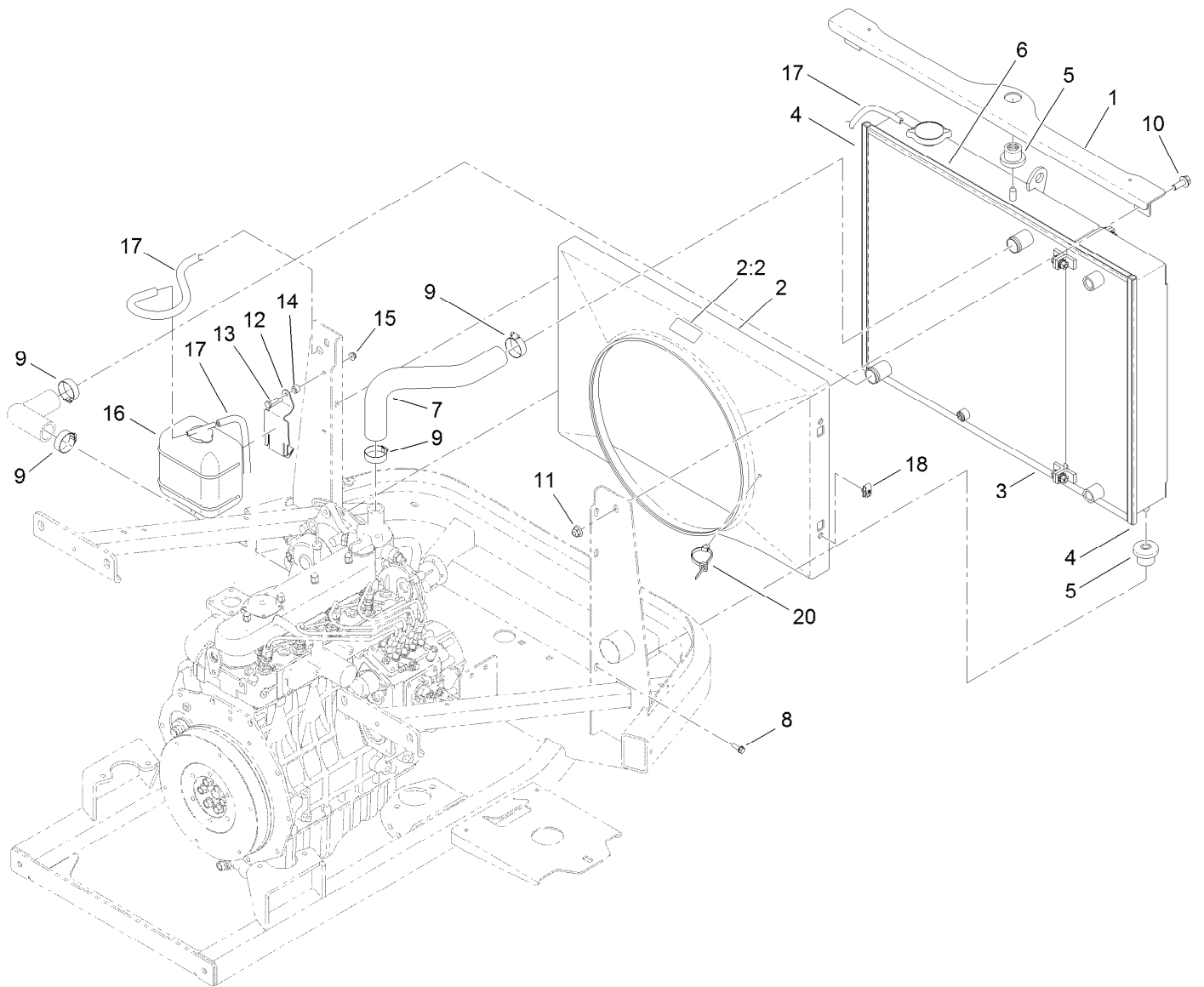
● Not serviced separately



Driveshaft Assembly No. 110-3575

<i>Ref.</i>	<i>Part Number</i>	<i>Qty.</i>	<i>Description</i>
1	112-1687	2	Cross And Bearing Kit
1:1	62-3820	1	Fitting-Grease
3	54-9040	1	Yoke-End
4	54-9090	1	Yoke-End
5		1	Tube-Yoke, Slip ●
5:1	302-22	1	Fitting-Grease

● Not serviced separately

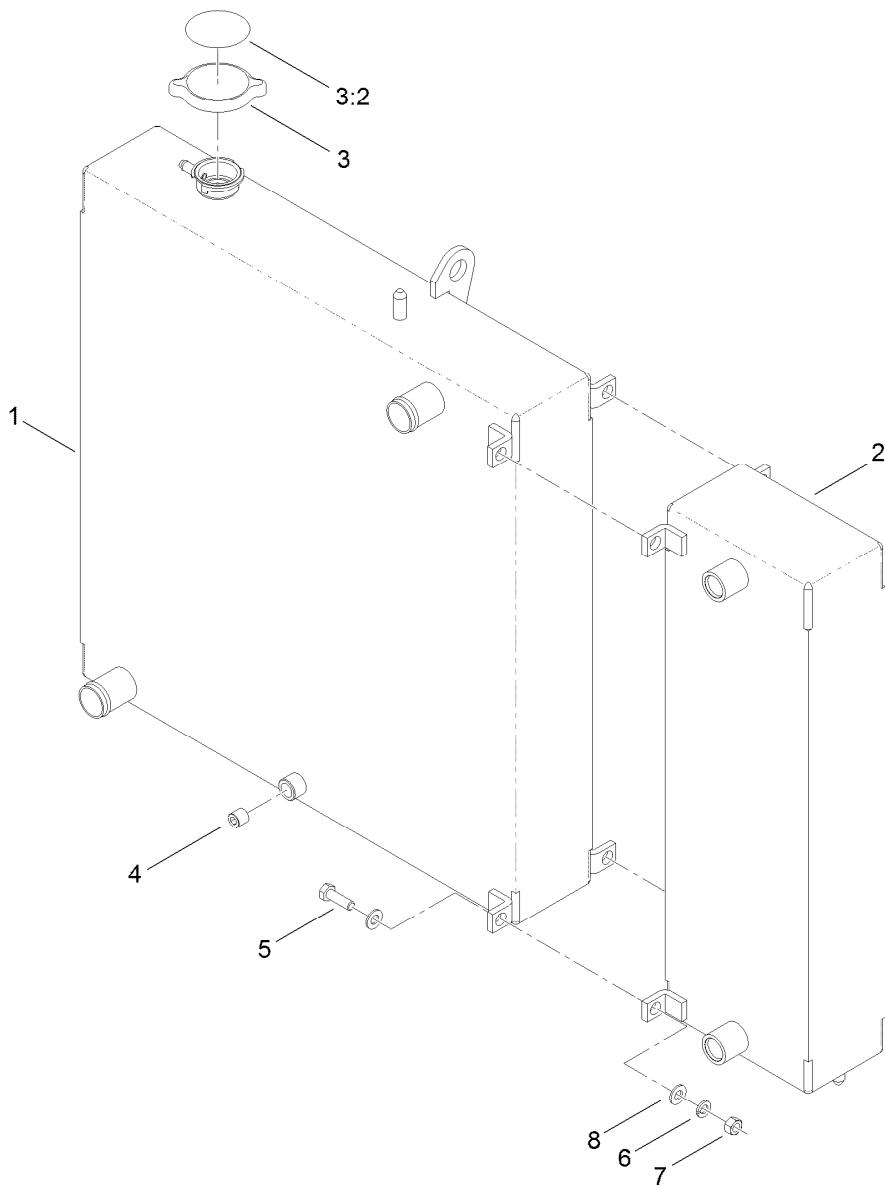


Radiator Component Assembly

Ref.	Part Number	Qty.	Description	Ref.	Part Number	Qty.	Description
1	119-1423-03	1	Support-Radiator	10	3234-42	2	Screw-HHF
2	117-3268	1	Shroud Fan ASM	11	104-8301	2	Nut-Flange, NI
2:2	117-4766	1	Decal-Warning, Fan	12	108-9930-03	1	Bracket-Bottle
3		1	Radiator And Cooler ASM	13	321-5	2	Screw-HH
			■●	14	98-4799	2	Spacer
4	119-1426	2	Seal-Bulb	15	104-7201	2	Nut-Flange, NI
5	119-1422	3	Mount-Isolator	16	104-9318	1	Bottle-Overflow
6	119-1427	2	Seal-Bulb	17	108-3284	2	Hose-Fuel
7	115-0330	1	Hose-Radiator, Upper	18	107069	4	Clip
8	32105-15	4	Screw-HWH	20	32180-030	1	Clip-Tie
9	2412-34	4	Clamp-Hose				

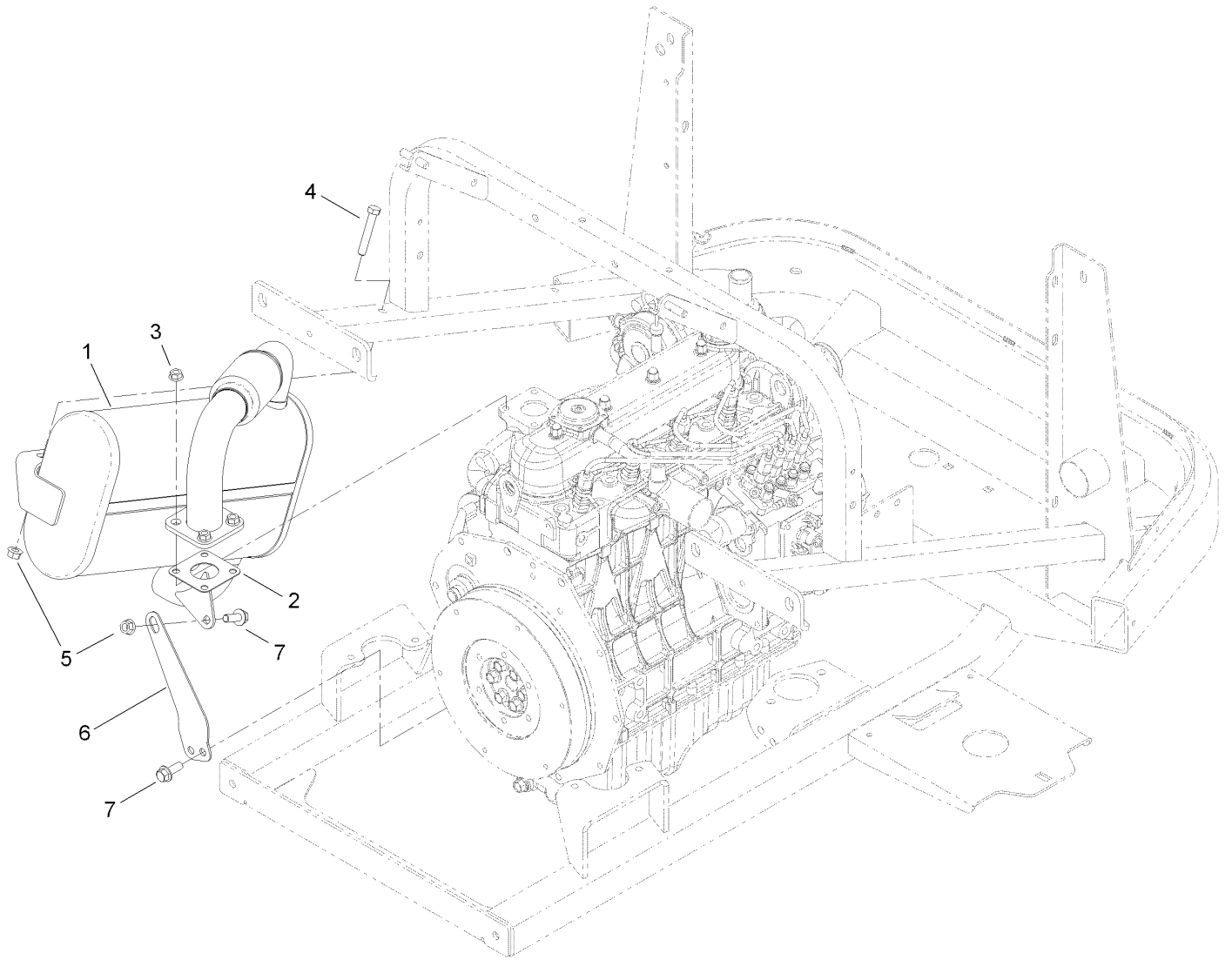
● See following pages

■ Not serviced separately



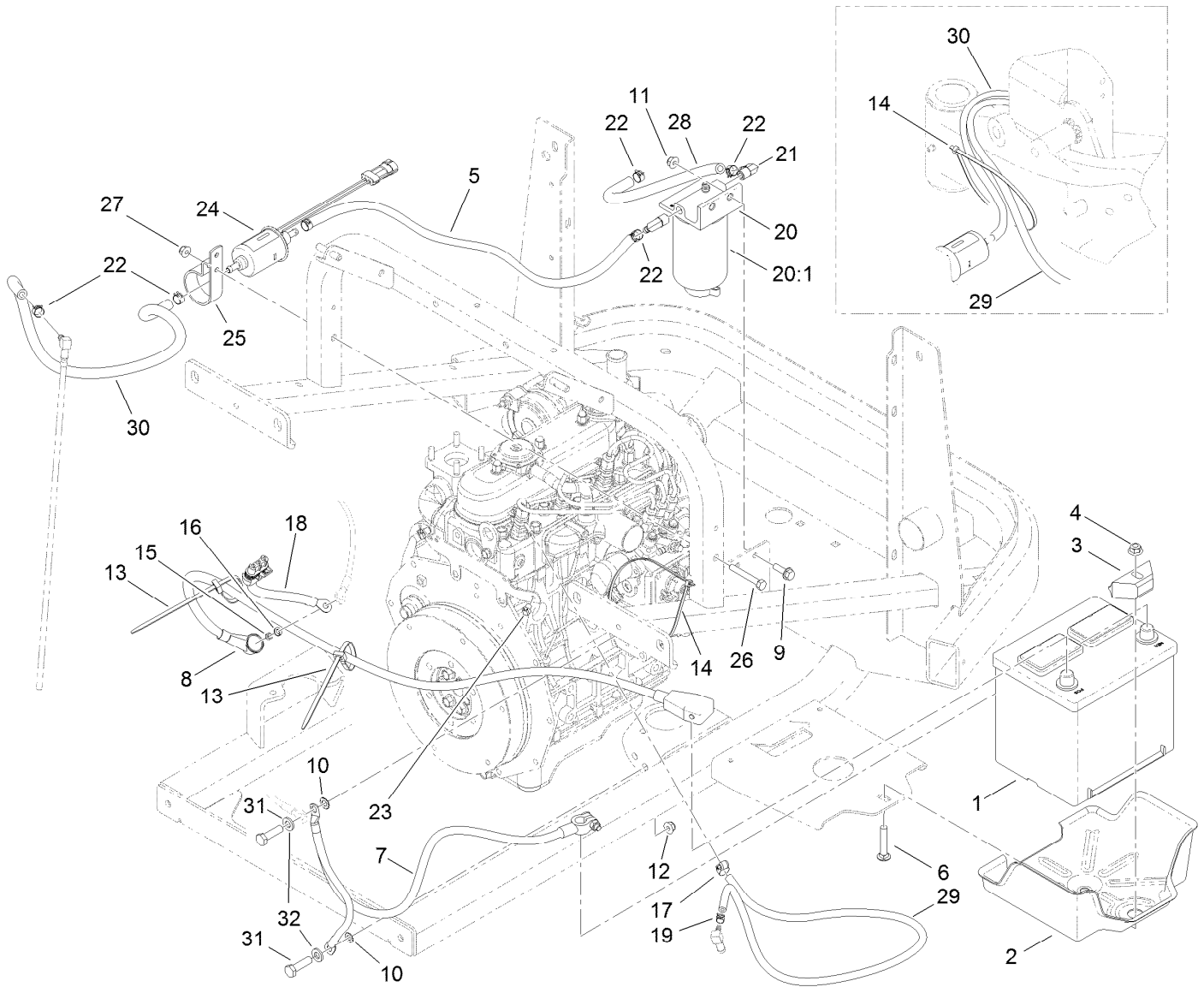
Radiator and Cooler Assembly

<i>Ref.</i>	<i>Part Number</i>	<i>Qty.</i>	<i>Description</i>
1	115-0050	1	Radiator
2	115-0051	1	Cooler
3	119-1430	1	Radiator Cap ASM
3:2	117-3276	1	Decal-Danger
4	99-8551	1	Plug-Pipe
5	322-5	4	Screw-HH
6	3253-4	4	Washer-Lock
7	3217-6	4	Nut-Hex
8	3256-23	8	Washer-Flat



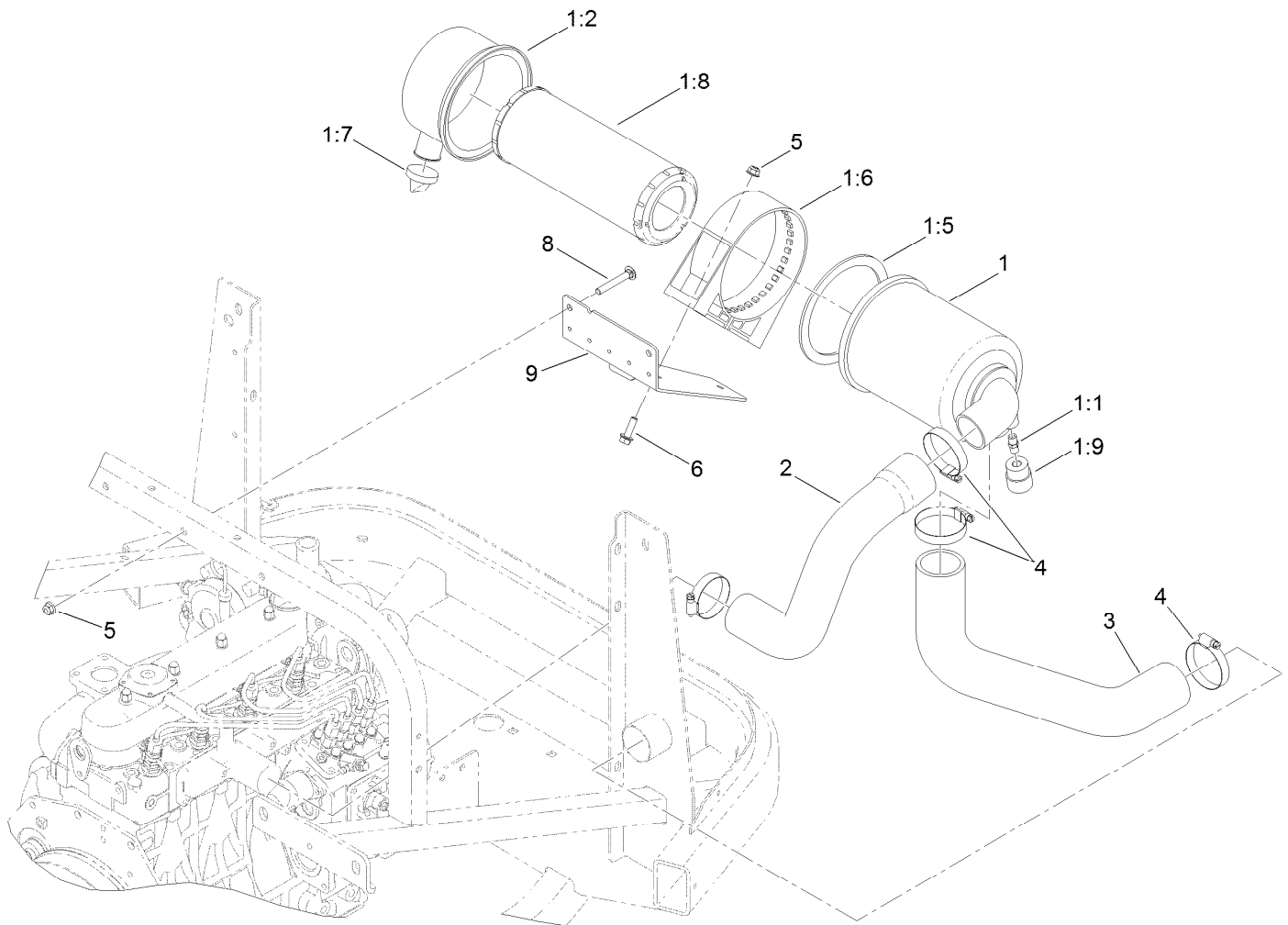
Muffler Assembly

<i>Ref.</i>	<i>Part Number</i>	<i>Qty.</i>	<i>Description</i>
1	115-0419	1	Muffler
2	98-9611	1	Gasket
3	33004-00	4	Nut-HF
4	323-11	2	Screw-HH
5	32128-21	5	Nut-HF
6	117-3033-03	1	Support-Muffler
7	3234-42	3	Screw-HHF



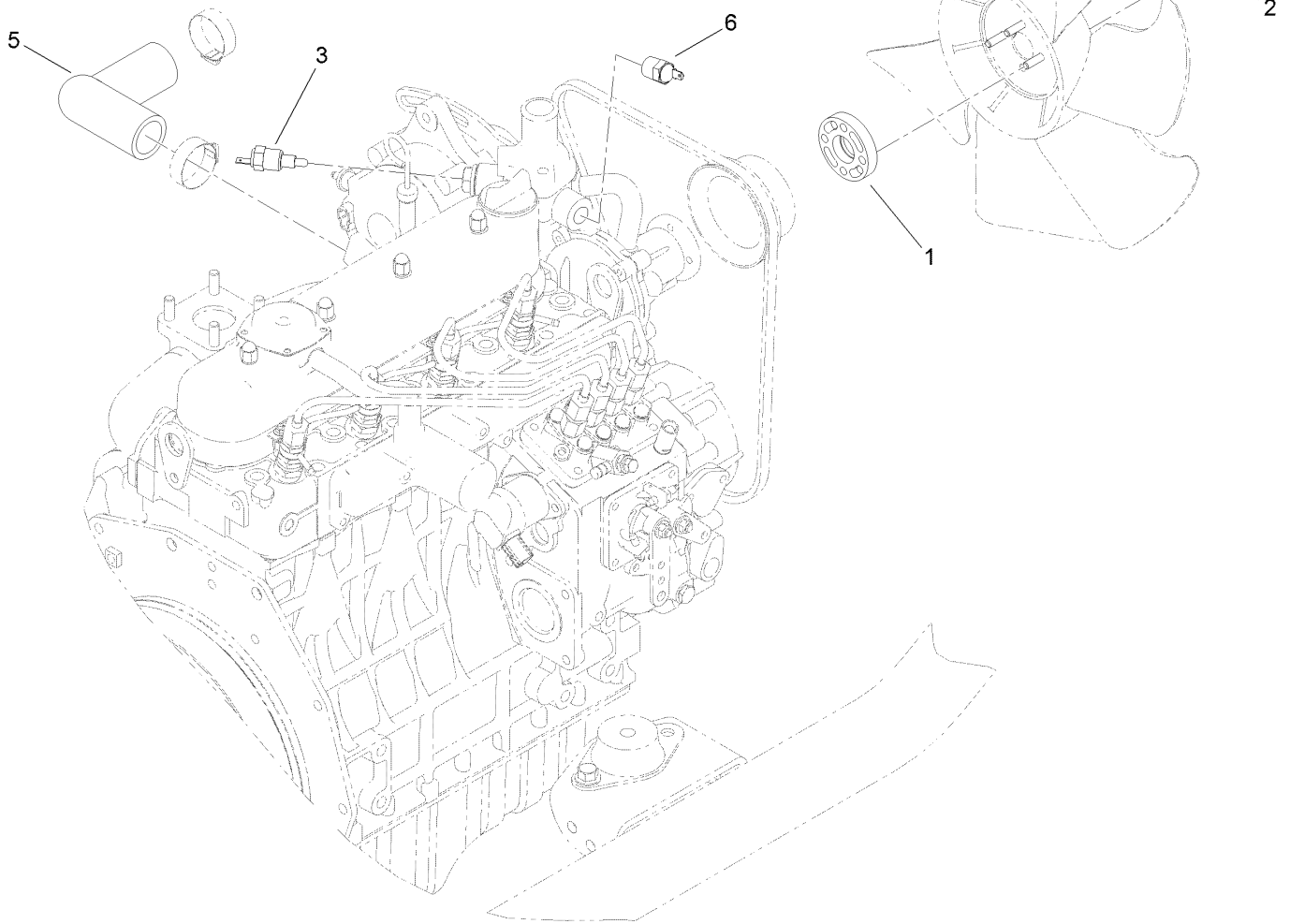
Battery and Fuel Delivery Assembly

Ref.	Part Number	Qty.	Description	Ref.	Part Number	Qty.	Description
1	106-5187	1	Battery-Dry	18	99-3441	1	Harness-Wire, Fusible Link
2	117-3027	1	Tray-Battery	19	2412-80	1	Clamp-Hose
3	66-2490	1	Retainer-Battery	20	110-9044	1	Separator Filter ASM
4	104-8301	1	Nut-Flange, NI	20:1	110-9049	1	Filter-Spin On
5	109-0274	1	Hose-Fuel	21	353-781	2	Fitting-Elbow
6	3231-6	1	Screw-CARR	22	92-2379	6	Clamp-Hose
7	105-0040	1	Cable-Battery, Negative	23	32180-030	2	Clip-Tie
8	104-0086	1	Cable-Battery, Positive	24	110-8806	1	Pump-Fuel
9	3234-17	2	Screw-HHF	25	110-8817	1	Bracket-Pump, Fuel
10	3255-8	2	Washer-Lock	26	321-15	1	Screw-HH
11	104-8300	2	Nut-Flange, NI	27	104-7201	1	Nut-Flange, NI
12	32128-25	2	Nut-HF	28	110-4105	1	Hose-Fuel
13	3290-378	2	Tie-Cable	29	110-3958	1	Hose-Fuel
14	3290-379	1	Tie-Cable	30	110-3257	1	Hose-Fuel
15	33014-00	1	Nut-Hex	31	322-6	2	Screw-HH
16	3253-4	1	Washer-Lock	32	3256-23	2	Washer-Flat
17	2412-108	1	Clamp-Worm				



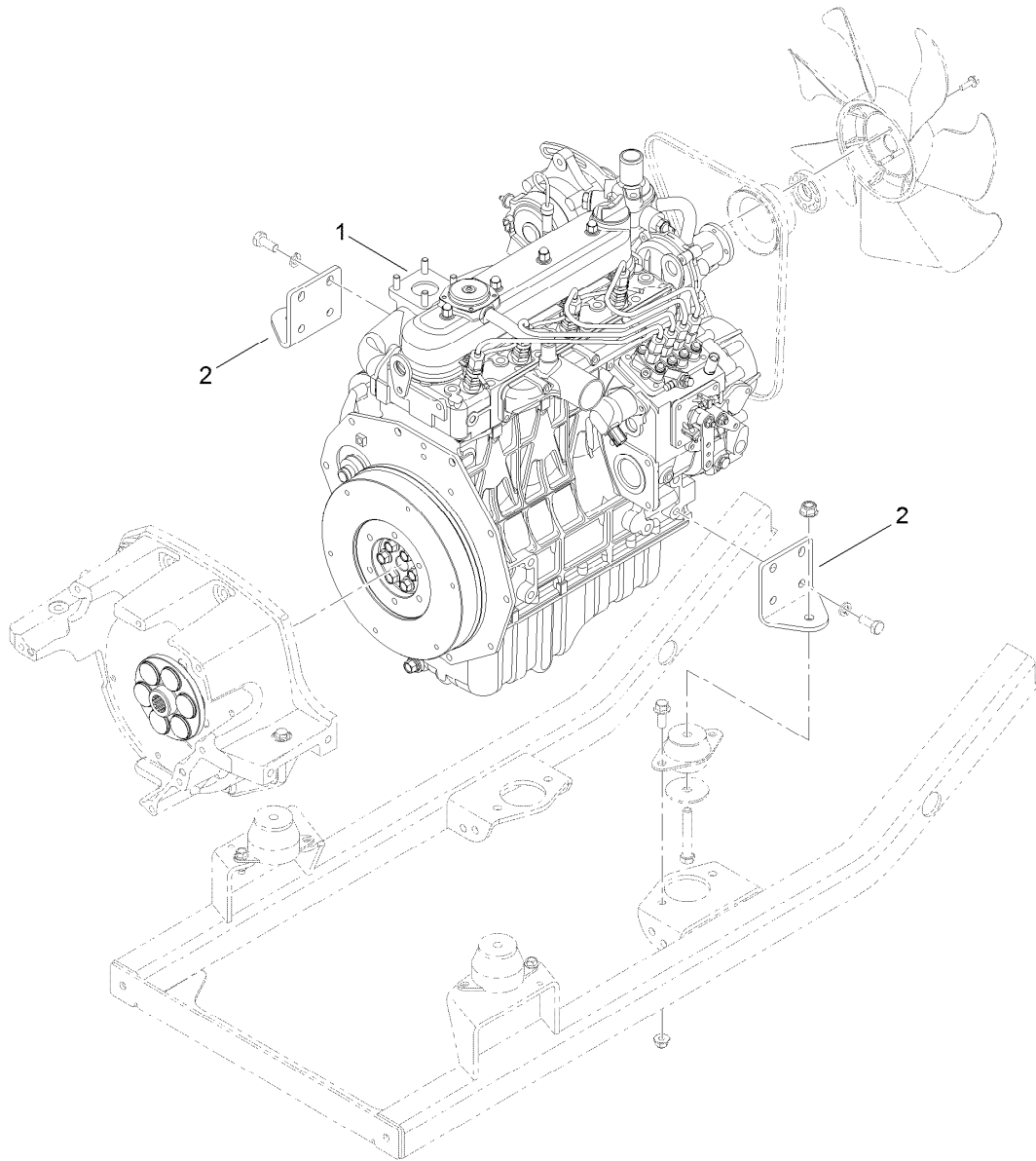
Air Cleaner Assembly

<i>Ref.</i>	<i>Part Number</i>	<i>Qty.</i>	<i>Description</i>
1	104-3428	1	Air Cleaner ASM
1:1	105-4292	1	Nipple-Pipe
1:2	104-0497	1	Cover
1:5	104-4897	1	Gasket
1:6	98-4525	1	Bracket-Cleaner, Air
1:7	104-0498	1	Valve-Vacuator
1:8	108-3810	1	Filter-Air
1:9	93-9164	1	Indicator-Mini
2	117-3020	1	Hose-Air Intake, Engine
3	117-3021	1	Hose-Inlet, Air
4	2412-130	4	Clamp-Hose
5	104-8300	4	Nut-Flange, NI
6	3234-17	2	Screw-HHF
8	3230-7	2	Bolt-CARR
9	131-3399-03	1	Plate-Cleaner, Air



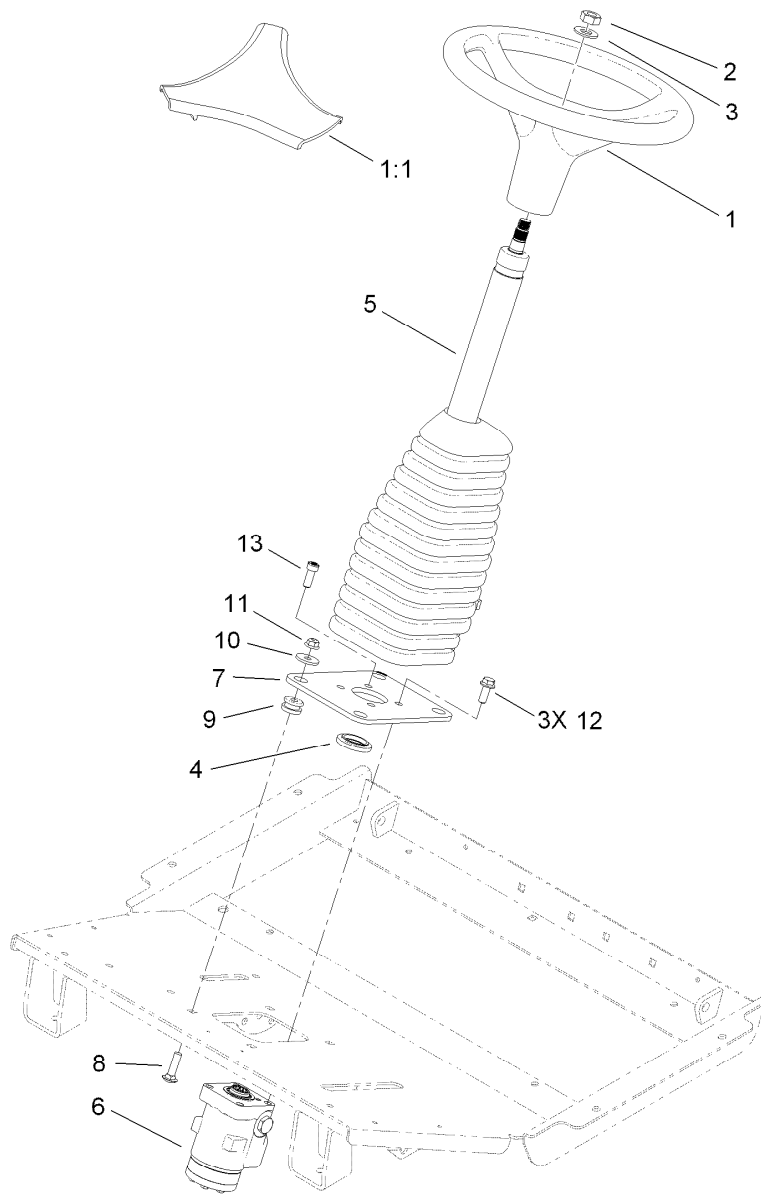
Fan Spacer and Thermoswitch Assembly

<i>Ref.</i>	<i>Part Number</i>	<i>Qty.</i>	<i>Description</i>
1	104-4247	1	Spacer-Fan
2	33103-020	4	Screw-HHF
3	98-9719	1	Thermoswitch
5	115-0331	1	Hose-Radiator, Lower
6	112-0183	1	Switch-Thermometer



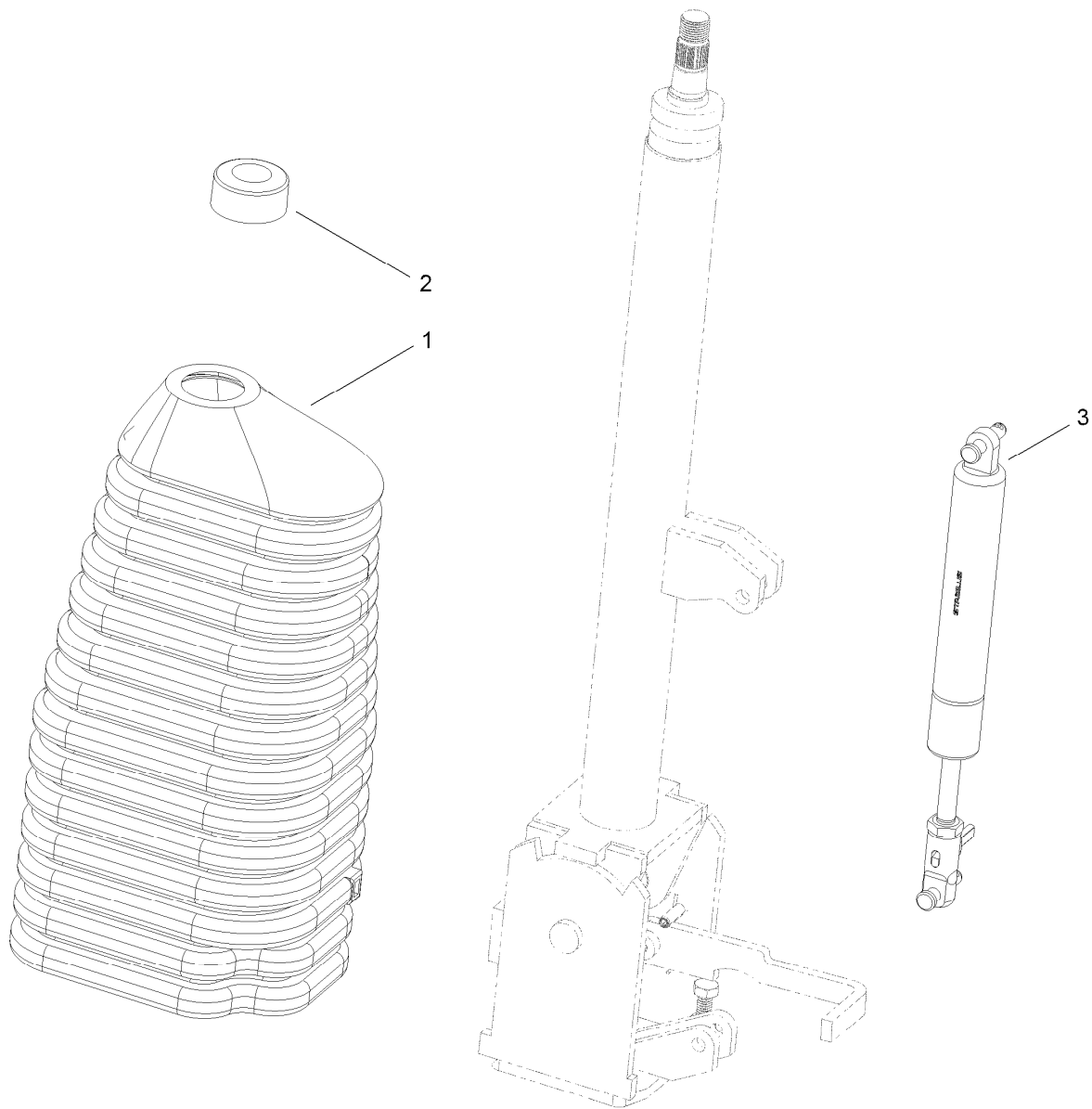
Engine Assembly

<i>Ref.</i>	<i>Part Number</i>	<i>Qty.</i>	<i>Description</i>
1	125-2171	1	Engine-Kubota, V1505 Dsl
2	115-0059-03	2	Plate-Mount, Motor



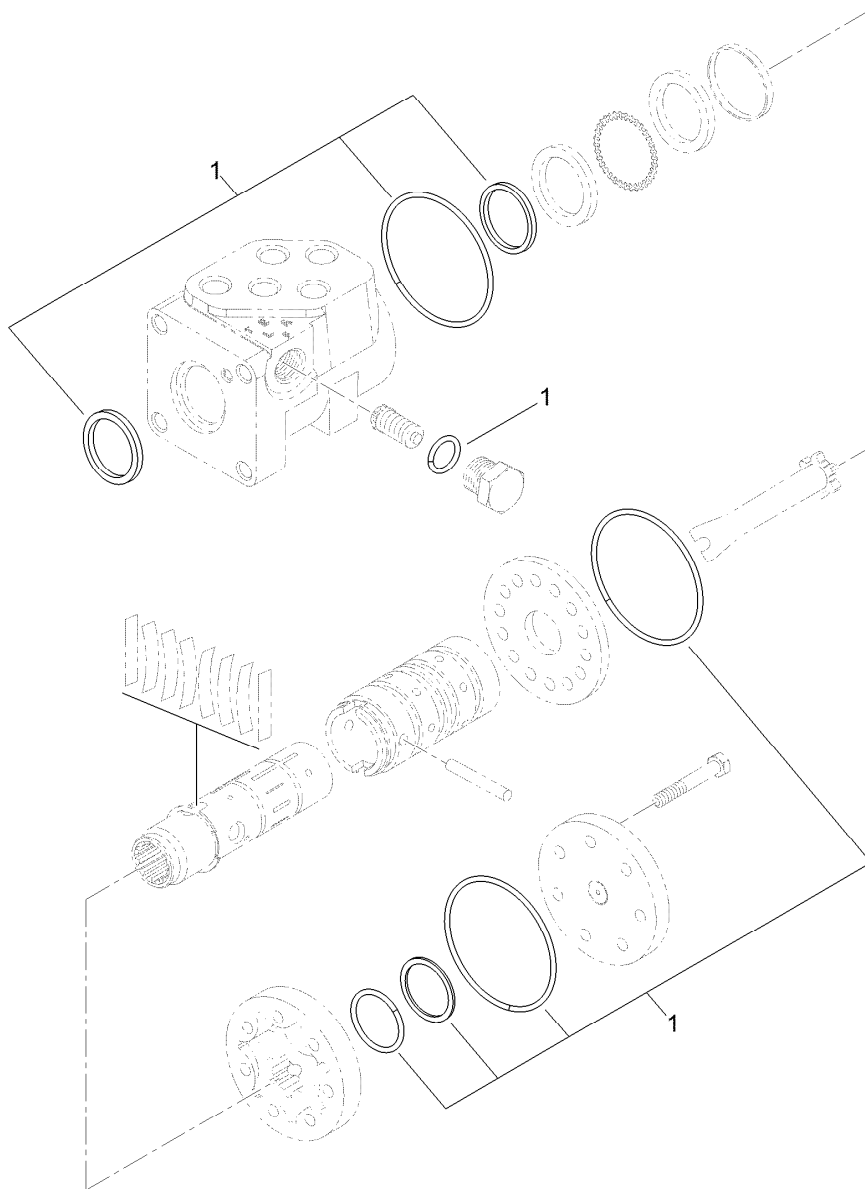
Steering Column Assembly

Ref.	Part Number	Qty.	Description
1	98-1471	1	Wheel-Steering
1:1	98-1468	1	Cover-Wheel, Steering
2	3296-33	1	Nut-Lock, NI
3	3256-27	1	Washer-Flat
4	117-3373	1	Bushing-Alignment
5	117-3371	1	Column-Steering
6	130-7948	1	Valve-Control, Steering
7	117-3234-03	1	Plate-Steering
8	3231-26	4	Screw-CARR
9	63-9750	4	Mount
10	63-8410	4	Washer
11	104-8301	4	Nut-Flange, NI
12	108-1531	3	Screw-HHF
13	3273-41	1	Screw-HSH



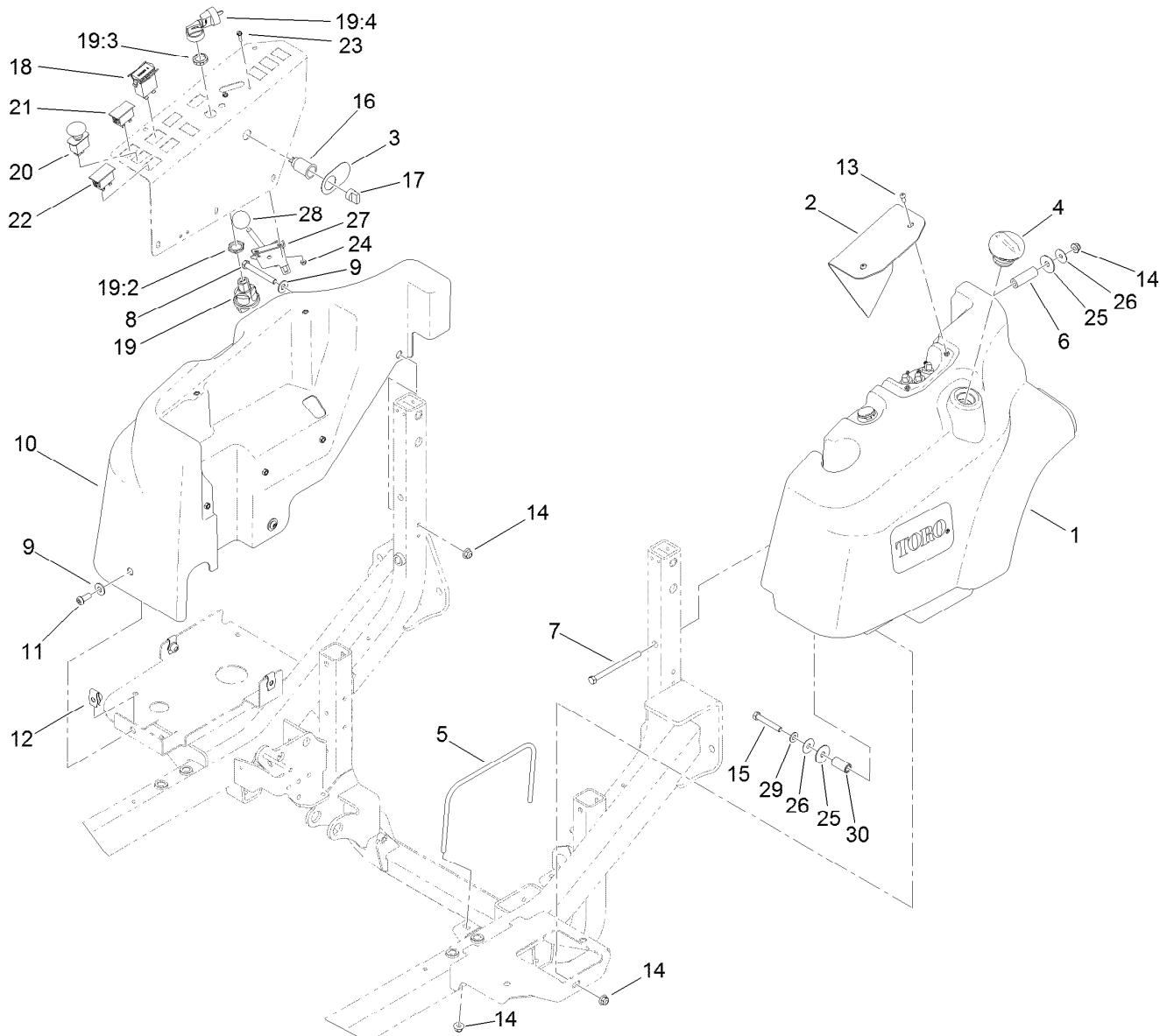
Steering Column Assembly No. 117-3371

<i>Ref.</i>	<i>Part Number</i>	<i>Qty.</i>	<i>Description</i>
1	120-2592	1	Boot-Rubber, Column
2	120-2593	1	Boot-Rubber, Bearing
3	120-2594	1	Gas Spring ASM



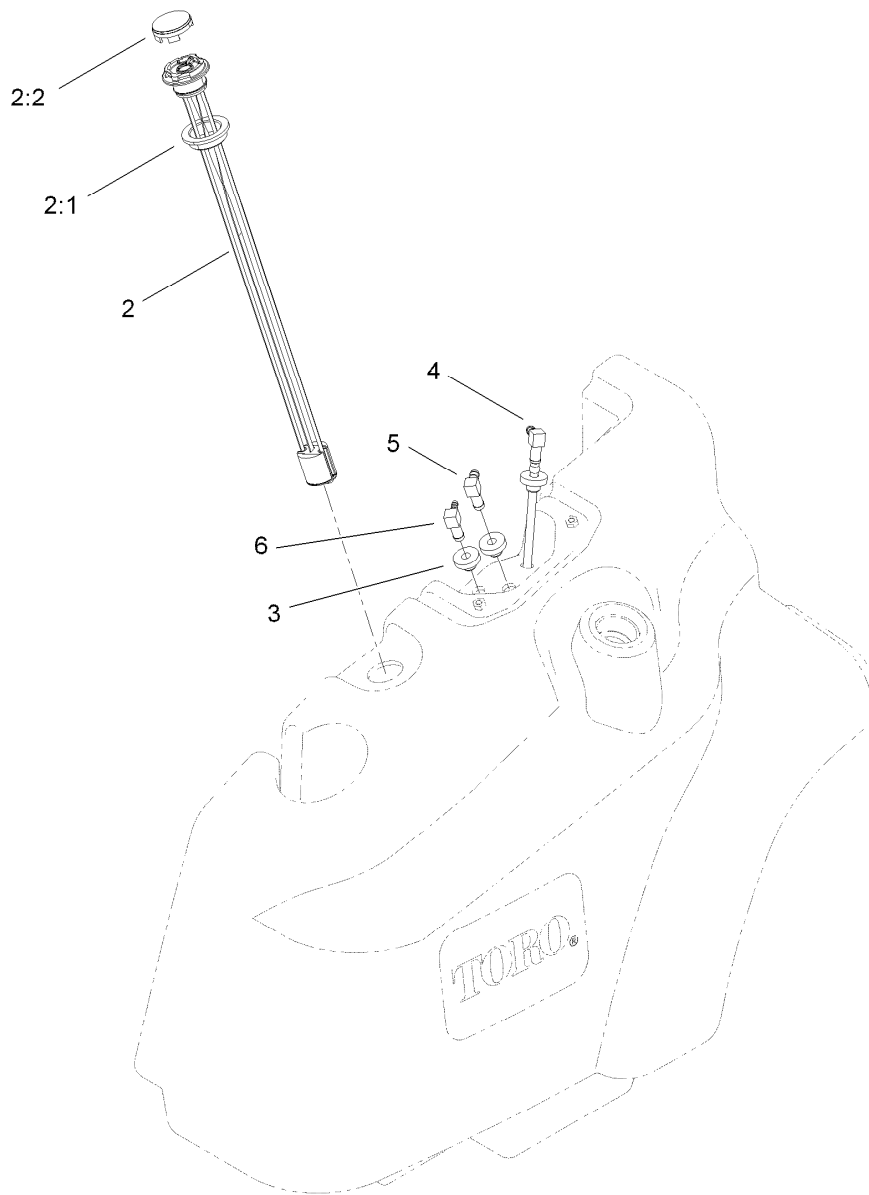
Steering Valve Assembly No. 130-7948

<i>Ref.</i>	<i>Part Number</i>	<i>Qty.</i>	<i>Description</i>
1	130-8357	1	Seal Kit



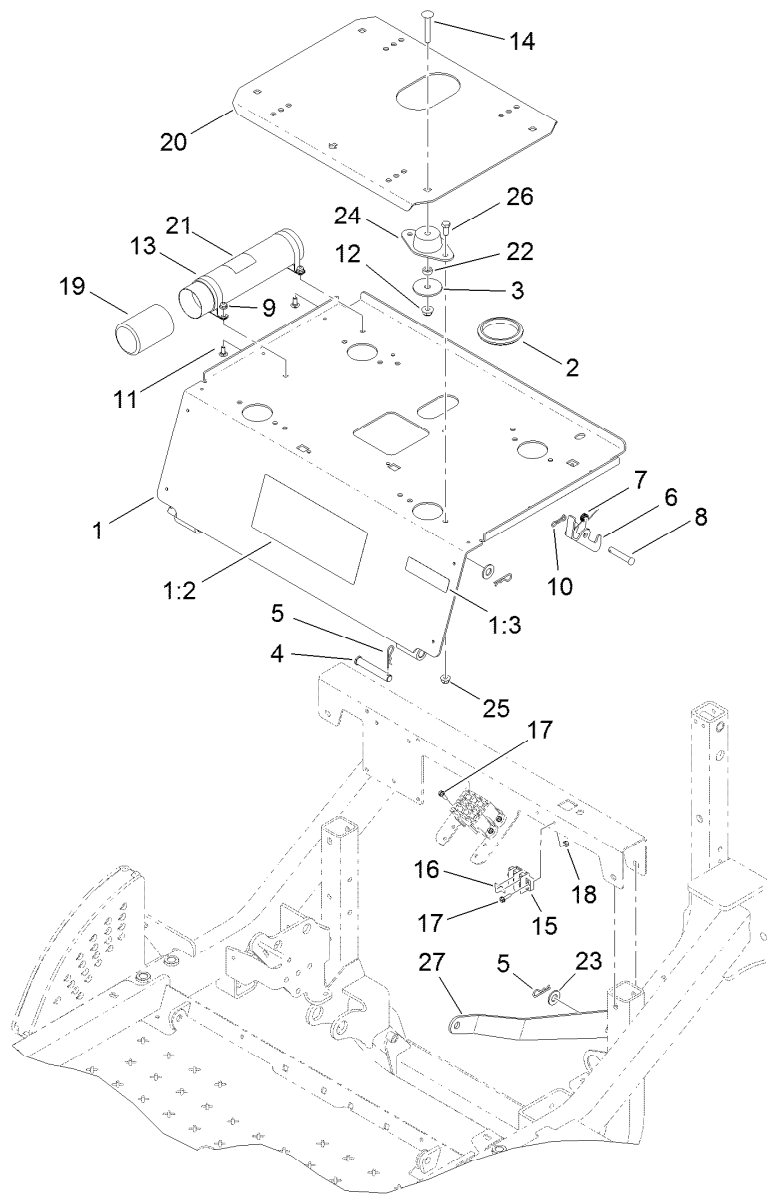
Fuel Tank and Control Panel Component Assembly

Ref.	Part Number	Qty.	Description	Ref.	Part Number	Qty.	Description
1	120-0255	1	Fuel Tank ASM	18	1-513374	1	Meter-Hour
2	117-3359-03	1	Plate-Cover	19	121-5159	1	Ignition Switch ASM
3	106-2353	1	Decal-Powerpoint	19:2	121-5160	1	Nut-Hex
4	115-5305	1	Cap-Fuel	19:3	121-5161	1	Nut-Face
5	117-3394	1	Bracket-Tank	19:4	121-5162	1	Key Set-Ignition
6	117-3387	1	Tube-Spacer	20	95-4108	1	Switch-PTO
7	323-39	1	Screw-HH	21	100-8070	1	Lamp-Warning
8	323-14	1	Screw-HH	22	100-8071	1	Lamp-Warning
9	100-7403	4	Washer-Flat	23	32105-13	2	Screw-HWH
10	117-3353	1	Cover-Tank, HYD	24	3296-2	2	Nut-Lock, NI
11	3274-94	3	Screw-HSBH	25	95-1905	2	Washer-Rubber
12	105-4886	3	Nut-Tinnerman	26	105-6814	2	Washer-Plain
13	3274-31	2	Screw-HSBH	27	110-5547	1	Lever-Control
14	104-8301	5	Nut-Flange, NI	28	233-42	1	Knob
15	323-12	1	Screw-HH	29	3256-24	1	Washer-Flat
16	99-7411	1	Point-Power	30	110-3726	1	Spacer
17	99-7416	1	Cap				



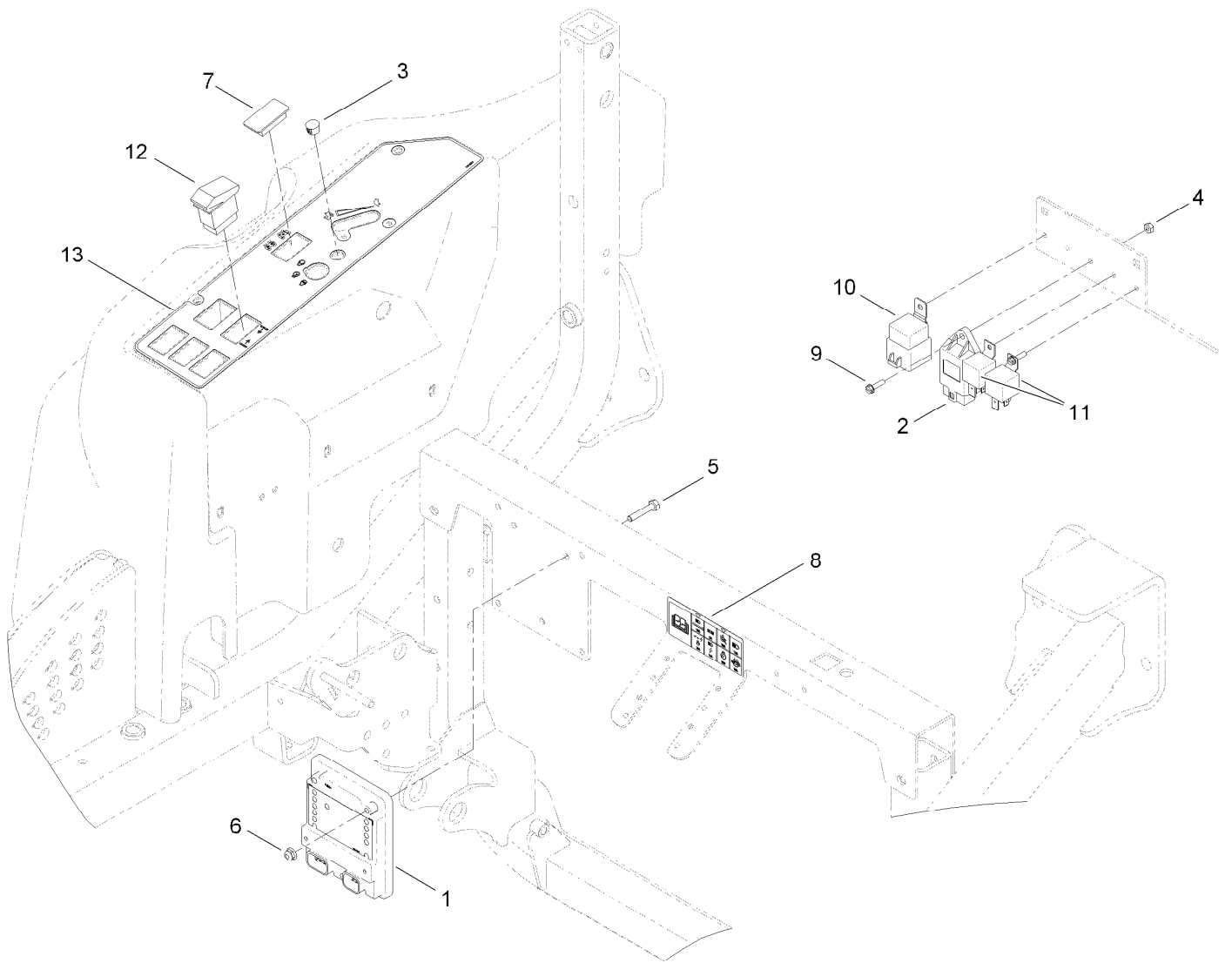
Fuel Tank Assembly No. 120-0255

<i>Ref.</i>	<i>Part Number</i>	<i>Qty.</i>	<i>Description</i>
2	117-3238	1	Gauge-Fuel
2:1	119-0508	1	Seal
2:2	117-8404	1	Dial-Gauge
3	46-6560	3	Bushing
4	117-3370	1	Pipe-Stand
5	46-6550	1	Fitting-Elbow, 90 DEG
6	104-5228	1	Fitting-Elbow, 90 DEG



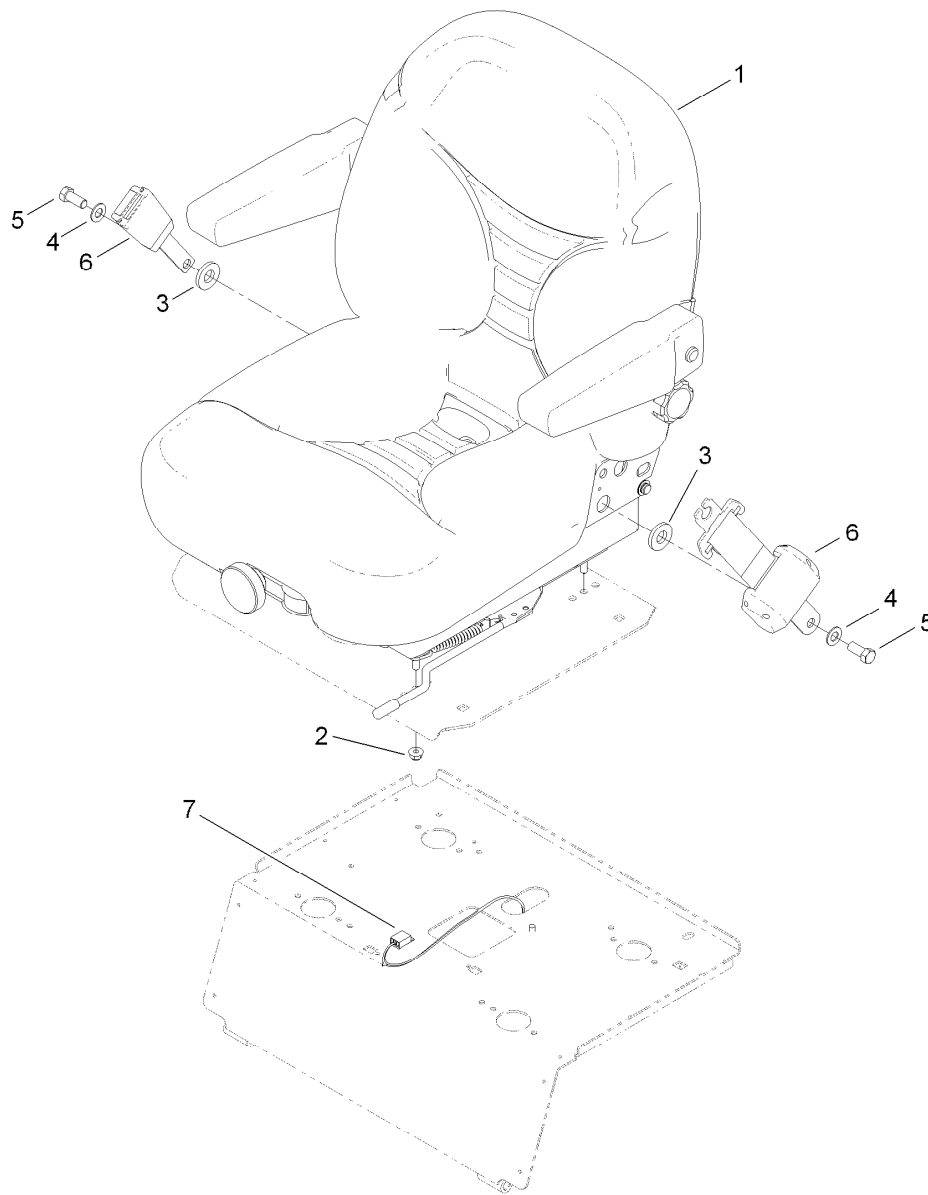
Seat Plate Assembly

<i>Ref.</i>	<i>Part Number</i>	<i>Qty.</i>	<i>Description</i>	<i>Ref.</i>	<i>Part Number</i>	<i>Qty.</i>	<i>Description</i>
1	120-0244	1	Seat Plate ASM	14	3231-40	4	Bolt-CARR, Short Neck
1:2	117-3273	1	Decal-Operation, Warning	15	42862	1	Block-Terminal, Ground
1:3	117-2718	1	Decal-Arrester, Spark	16	42863	1	Strip-Jumper
2	237-164	1	Grommet	17	32105-13	4	Screw-HWH
3	83-1040	4	Washer-Flat	18	3296-2	4	Nut-Lock, NI
4	283-55	2	Pin-Clevis	19	104-7048	1	Cap-Housing
5	3290-467	4	Pin-Hair	20	117-3065-03	1	Plate-Seat
6	117-3067	1	Latch-Seat	21	104-7050	1	Tube-Manual
7	104-4821	1	Spring-Torsion	22	83-1050	4	Spacer
8	283-82	1	Pin-Clevis	23	3256-26	2	Washer-Flat
9	104-7201	2	Nut-Flange, NI	24	83-1030	4	Mount-Engine
10	119-1415	1	Pin-Cotter, Locking	25	104-8300	8	Nut-Flange, NI
11	3229-1	2	Bolt-CARR	26	322-3	8	Screw-HH
12	104-8301	4	Nut-Flange, NI	27	120-0242-01	1	Strap-Prop
13	107-1865	2	R-Clamp				



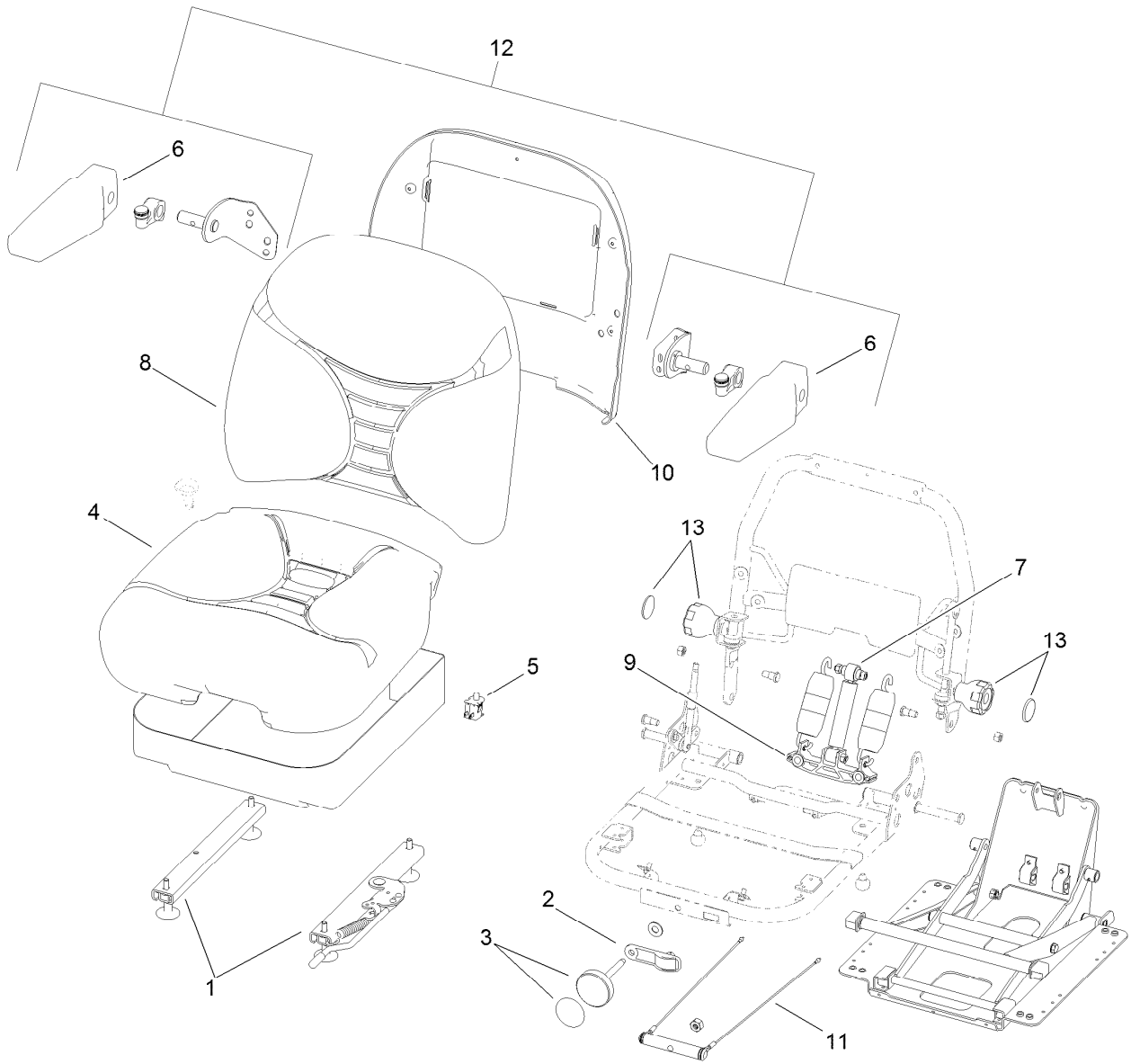
2 Wheel Drive Module Control and Relay Assembly

<i>Ref.</i>	<i>Part Number</i>	<i>Qty.</i>	<i>Description</i>
1	106-9277	1	Module-Control, Standard
2	107-9097	1	Controller-Glow
3	2410-64	1	Plug-Button
4	3296-2	4	Nut-Lock, NI
5	321-13	3	Screw-HH
6	104-7201	3	Nut-Flange, NI
7	99-7420	1	Plug-Hole
8	117-3232	1	Decal-Fuseblock
9	32105-13	4	Screw-HWH
10	99-7430	1	Relay
11	99-7435	2	Relay-Power
12	105-4320	1	Switch
13	120-0257	1	Decal-Control Panel



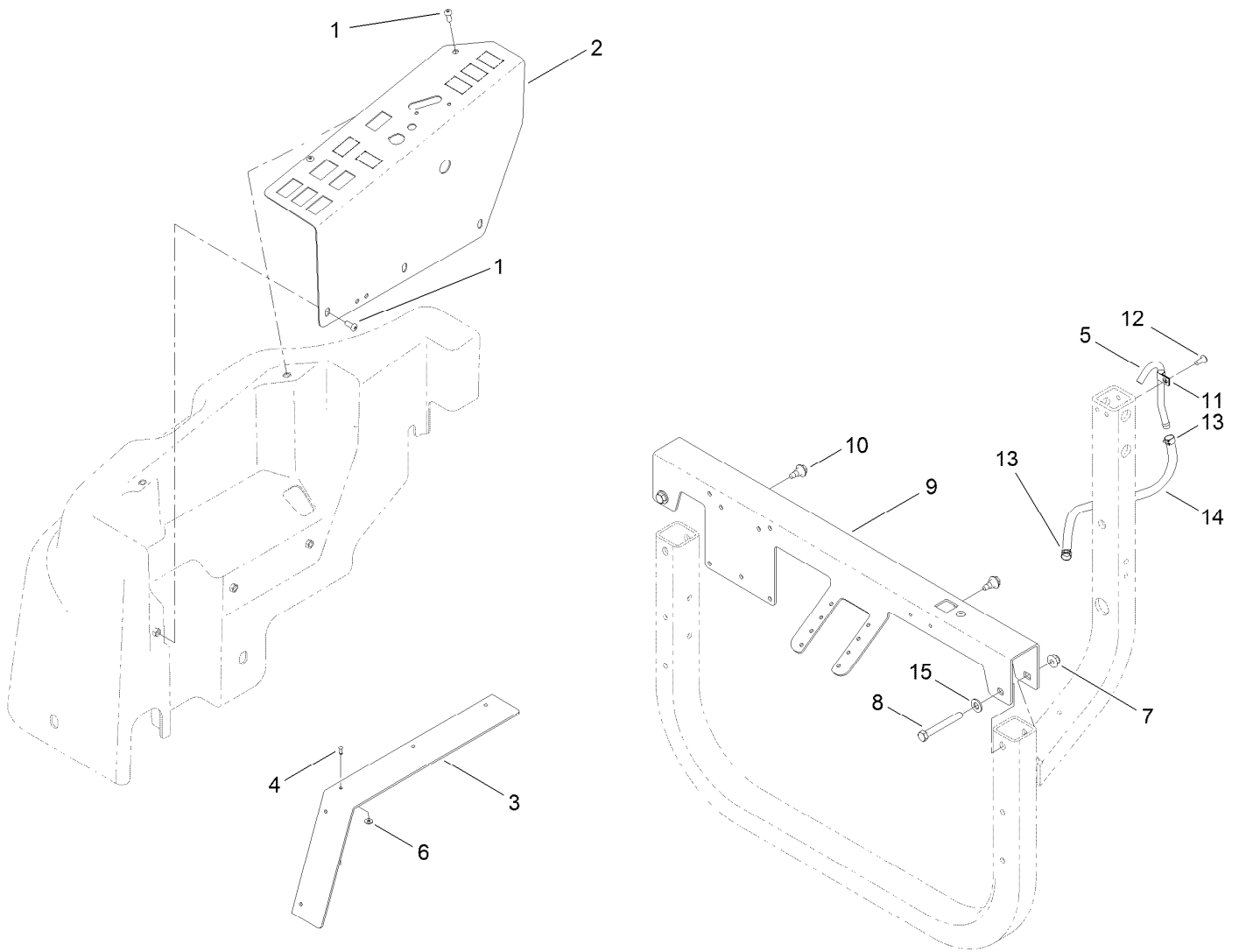
Seat Assembly

<i>Ref.</i>	<i>Part Number</i>	<i>Qty.</i>	<i>Description</i>
1	107-2286	1	Seat
2	104-8300	4	Nut-Flange, NI
3	99-7667	2	Washer-Flat
4	3256-25	2	Washer-Flat
5	3212-4	2	Screw-HH
6	110-0413	1	Seatbelt-Retractable
7	119-5786	1	Harness-Wire



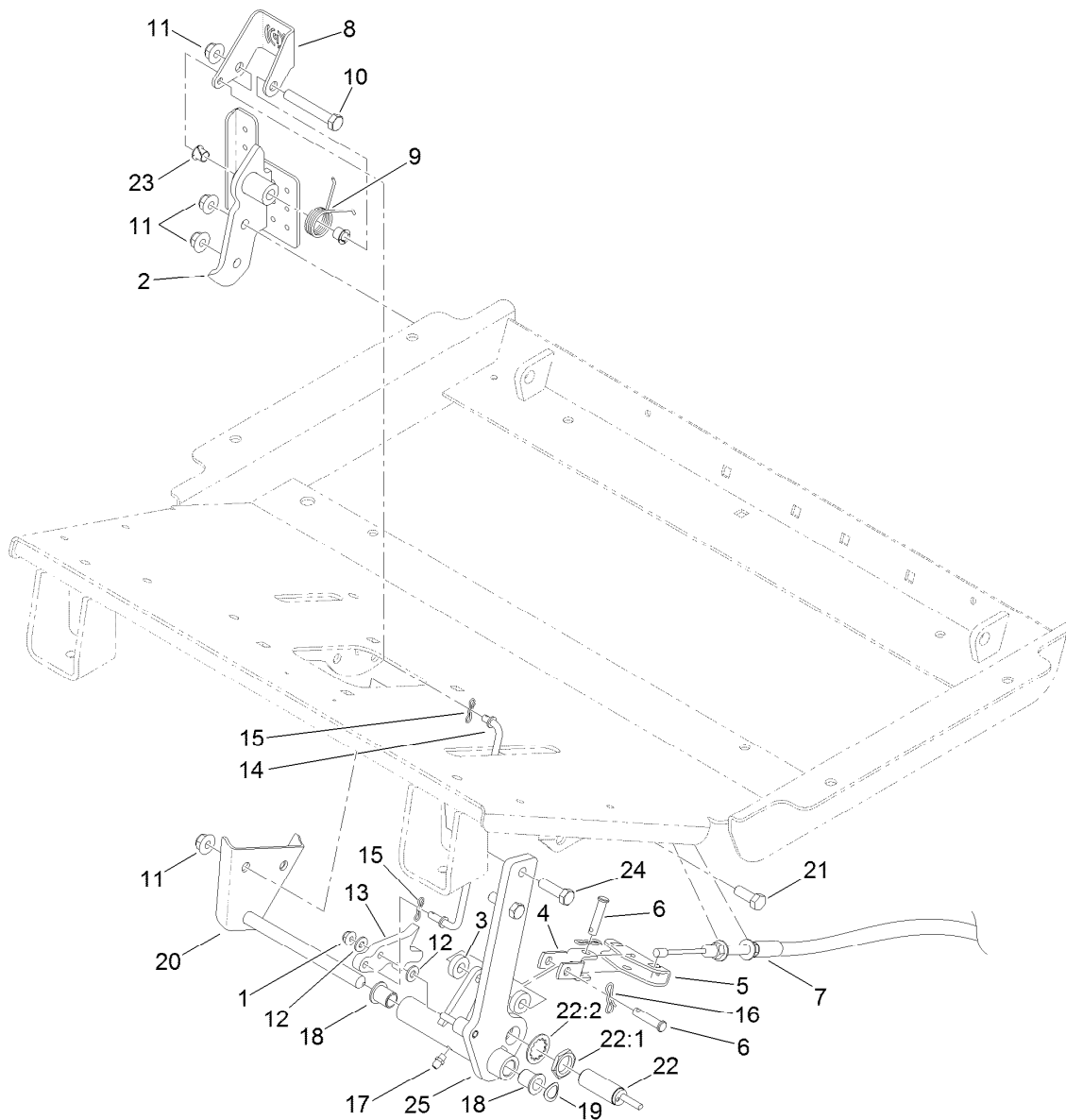
Seat Assembly No. 107-2286

<i>Ref.</i>	<i>Part Number</i>	<i>Qty.</i>	<i>Description</i>
1	107-1880	1	Seat Track Kit
2	107-1885	1	Weight Indicator Kit
3	121-9431	1	Knob Kit
4	107-1883	1	Bottom Cushion Kit
5	82-2190	1	Switch-Bail
6	107-1887	2	Pad-Armrest
7	107-1884	1	Shock Absorber Kit
8	107-1882	1	Back Cushion Kit
9	109-3343	1	Spring And Saddle Kit
10	109-3344	1	Back Panel Kit
11	109-3345	1	Weight Adjust Kit
12	121-9415	1	Armrest Kit
13	121-9432	2	Adjust Knob Kit



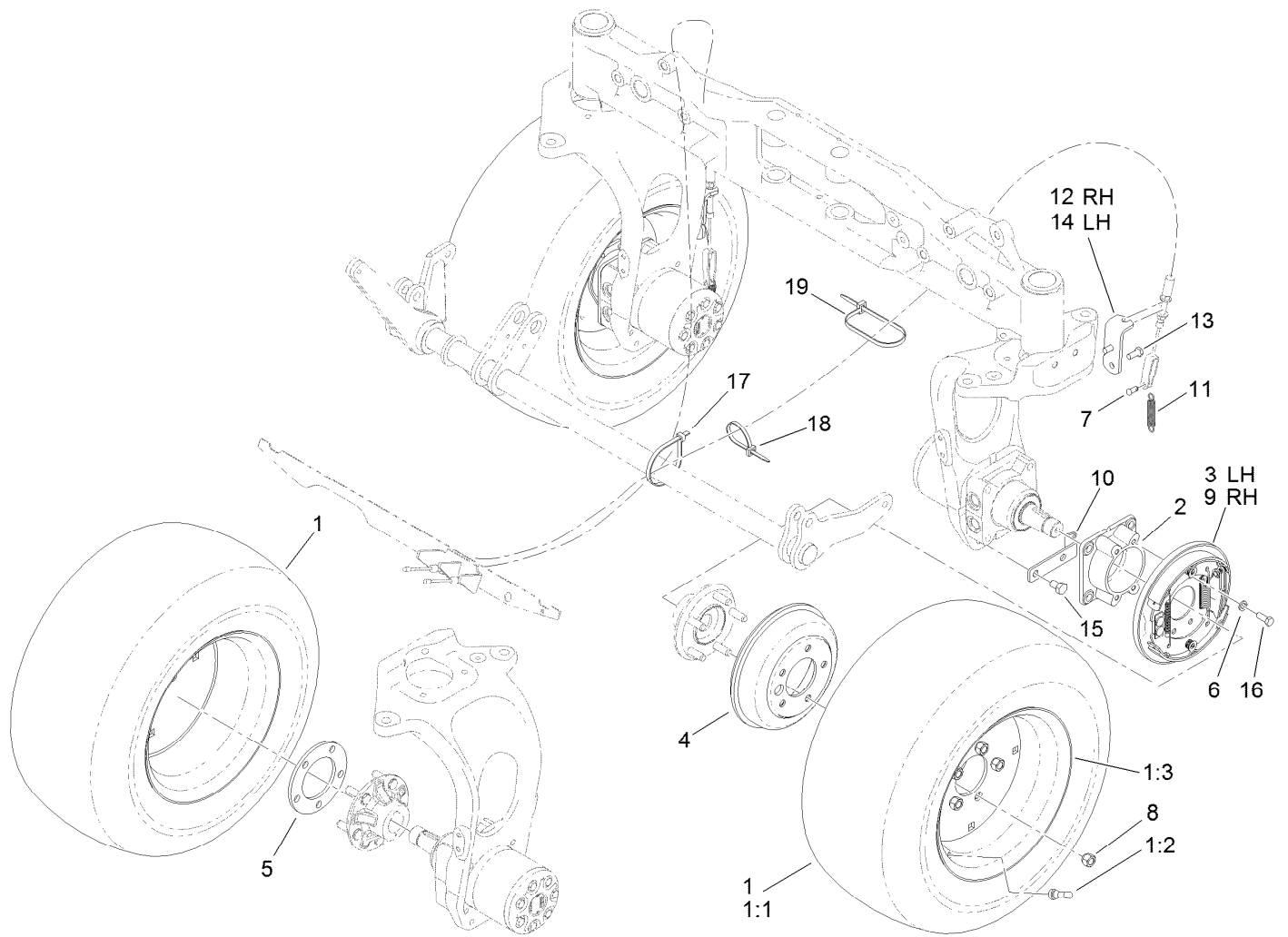
Seat Platform Assembly

Ref.	Part Number	Qty.	Description
1	3274-31	5	Screw-HSBH
2	121-5352-03	1	Panel-Control, Tank
3	117-3175	2	Strap-Filler
4	3290-282	10	Rivet-Blind
5	120-6820	1	Tube-Vent
6	3269-26	10	Washer-Plain
7	104-8301	2	Nut-Flange, NI
8	323-14	2	Screw-HH
9	117-3064-03	1	Channel-Seat
10	99-5105	2	Bolt-Shoulder
11	2412-89	1	Clamp-R
12	3290-412	1	Rivet
13	92-2379	2	Clamp-Hose
14	110-4101	1	Hose-Fuel
15	3256-24	2	Washer-Flat



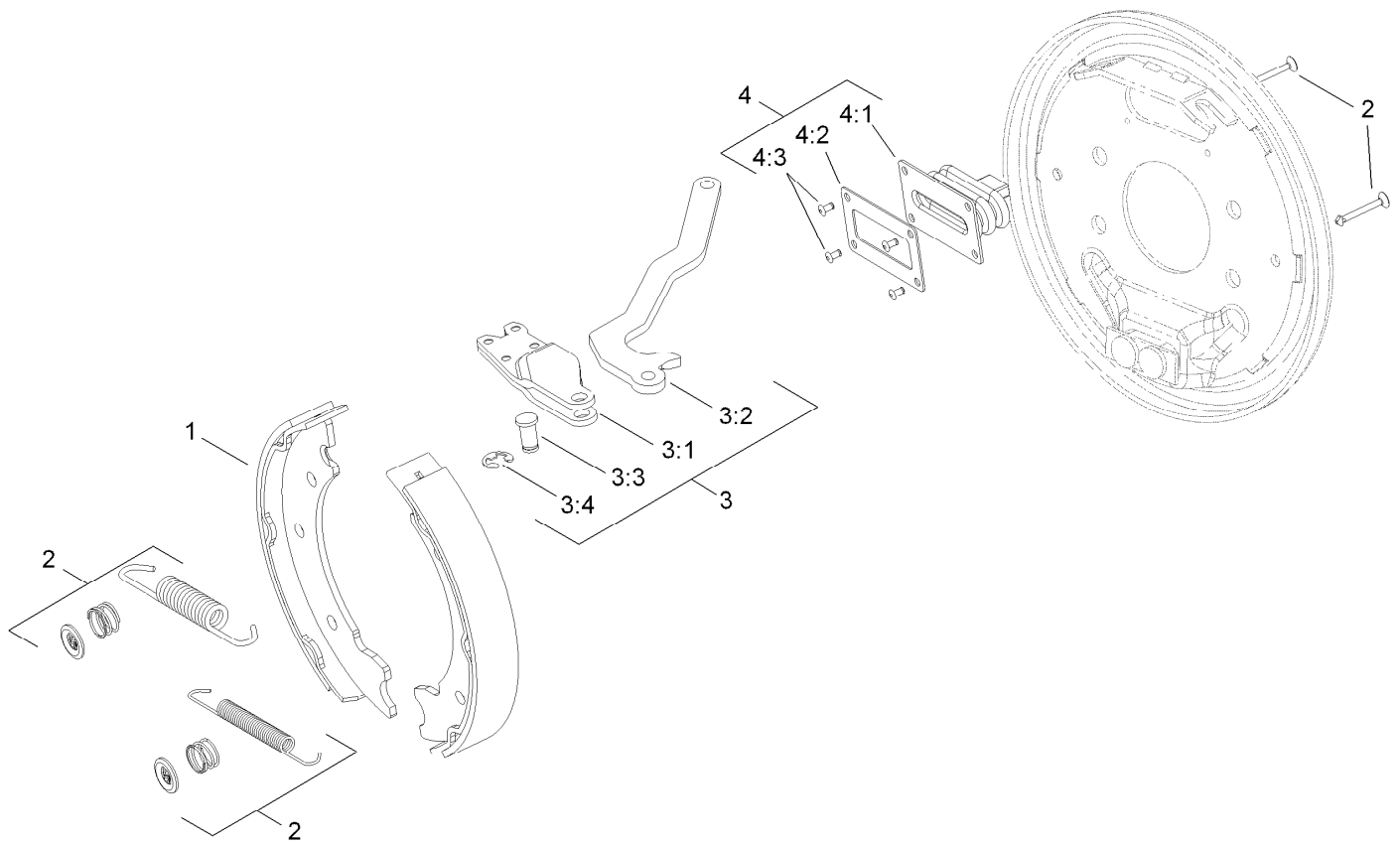
Brake Pedal Assembly

<i>Ref.</i>	<i>Part Number</i>	<i>Qty.</i>	<i>Description</i>	<i>Ref.</i>	<i>Part Number</i>	<i>Qty.</i>	<i>Description</i>
1	104-7201	1	Nut-Flange, NI	15	119-1414	2	Pin-Cotter, Locking
2	119-1403-03	1	Pedal-Brake	16	119-1415	2	Pin-Cotter, Locking
3	5-0652	2	Spacer	17	302-5	1	Fitting-Grease
4	115-8060	1	Clevis-Double	18	125-8775	2	Bushing-Flange
5	115-8059	1	Yoke-Cable	19	3290-221	1	Washer-Spring
6	283-14	2	Pin-Clevis	20	119-1388	1	Brake Pin ASM
7	117-3214	2	Cable-Brake	21	323-6	2	Screw-HH
8	119-1407	1	Pedal-Park	22	115-5300	1	Proximity Switch ASM
9	99-7140	1	Spring-Torsion	22:1	117-3207	2	Nut-Hex
10	323-12	1	Screw-HH	22:2	117-3208	2	Washer-Lock, Internal Tooth
11	104-8301	5	Nut-Flange, NI	23	52-2891	2	Bushing-Flanged, Nylon
12	3256-22	2	Washer-Flat	24	323-7	2	Screw-HH
13	119-1406	1	Detent-Brake	25	119-1400-03	1	Lever-Brake
14	119-1405	1	Rod-Brake Pawl				



Wheel and Brake Assembly

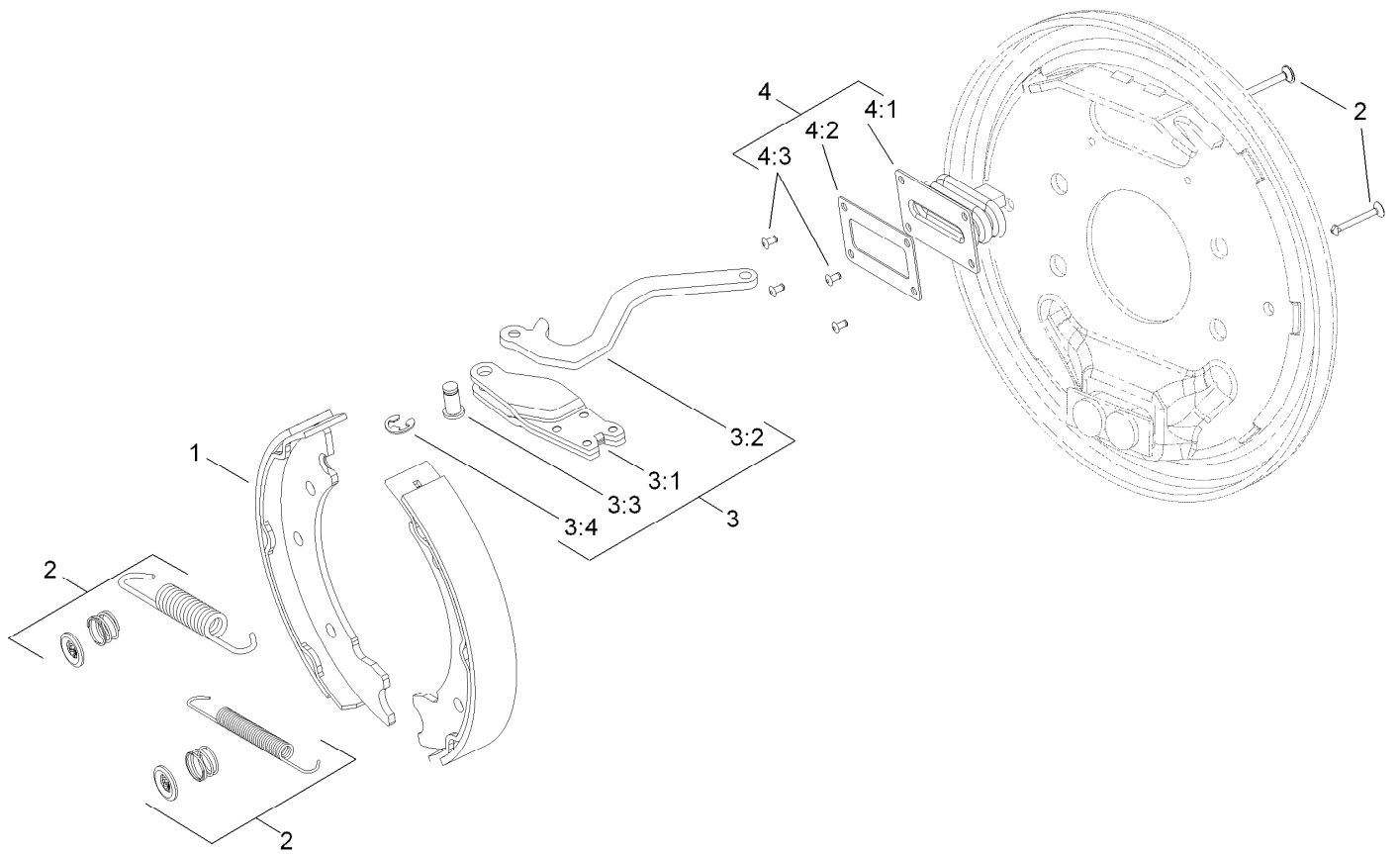
Ref.	Part Number	Qty.	Description	Ref.	Part Number	Qty.	Description
1	117-2900	4	Tire And Wheel ASM	9	120-0233	1	RH Brake ASM
1:1	117-2901	1	Tire	10	115-0132	2	Bracket-Spring, Return
1:2	232-27	1	Stem-Valve	11	87-4020	2	Spring-Extension
1:3	117-2902	1	Rim	12	119-1352-03	1	Bracket-Brake Cable, RH
2	120-0248-03	2	Adapter-Brake	13	325-2	4	Screw-HH
3	120-0235	1	LH Brake ASM	14	119-1449-03	1	Bracket-Brake Cable, LH
4	114-8864	2	Drum-Brake	15	323-5	4	Screw-HH
5	115-0199-03	2	Spacer-Wheel	16	323-6	8	Screw-HH
6	3253-21	8	Washer-Lock	17	3334-945	1	Tie-Cable
7	283-62	2	Pin-Clevis	18	3290-378	1	Tie-Cable
8	242-50	10	Nut-Lug	19	250-5	1	Tie-Cable



Right Hand Brake Assembly No. 120-0233

Ref.	Part Number	Qty.	Description
1	108-6981	1	Brake Shoe Kit
2	108-6983	1	Brake Hardware Kit
3	120-0234	1	RH Actuator Kit
3:1		1	Housing ●
3:2		1	Lever-RH ●
3:3		1	Pin-Pivot ●
3:4		1	E-Ring ●
4	110-8885	1	Dust Boot Kit
4:1		1	Boot ●
4:2		1	Plate-Back Up ●
4:3		2	Rivet ●

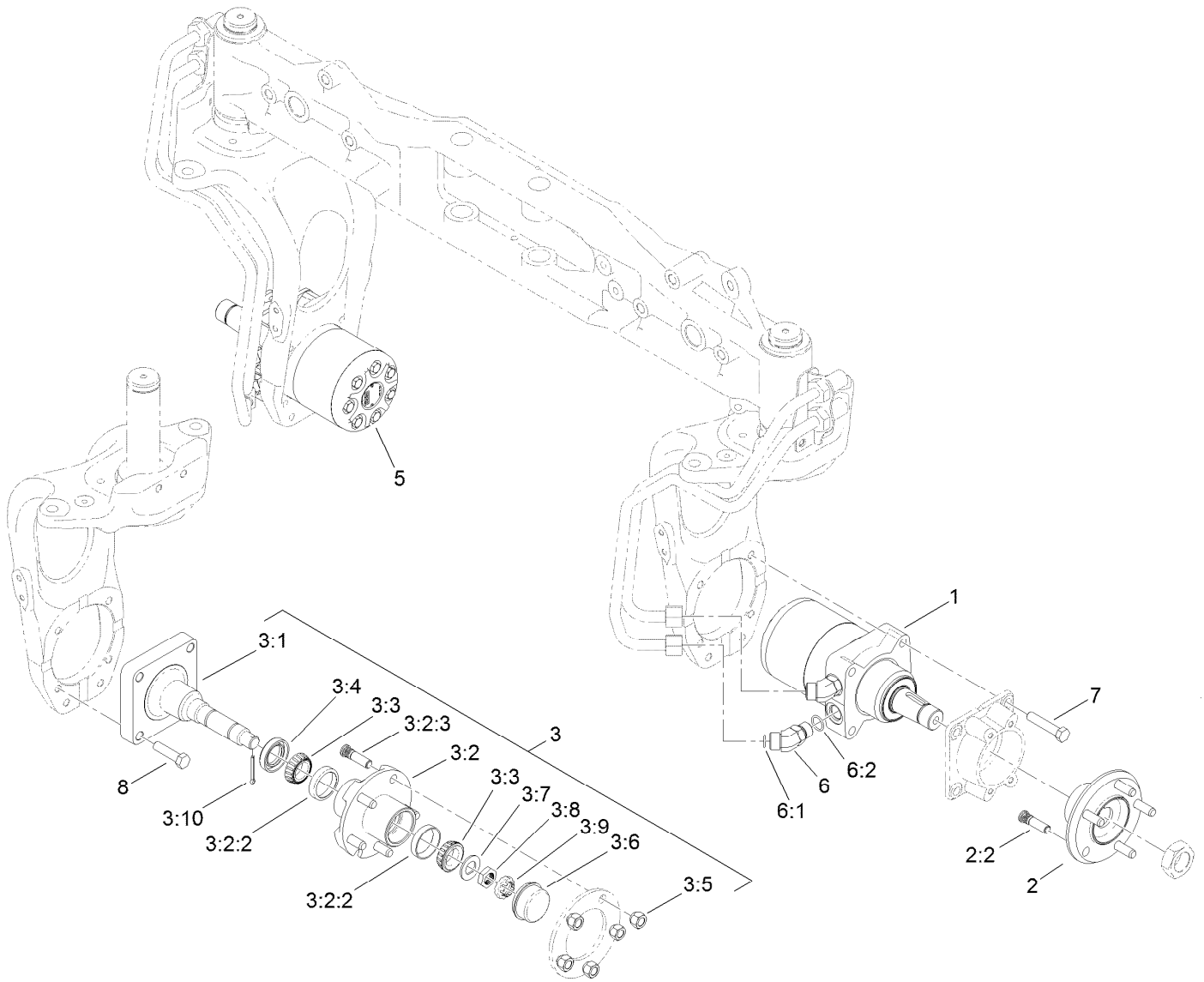
● Not serviced separately



Left Hand Brake Assembly No. 120-0235

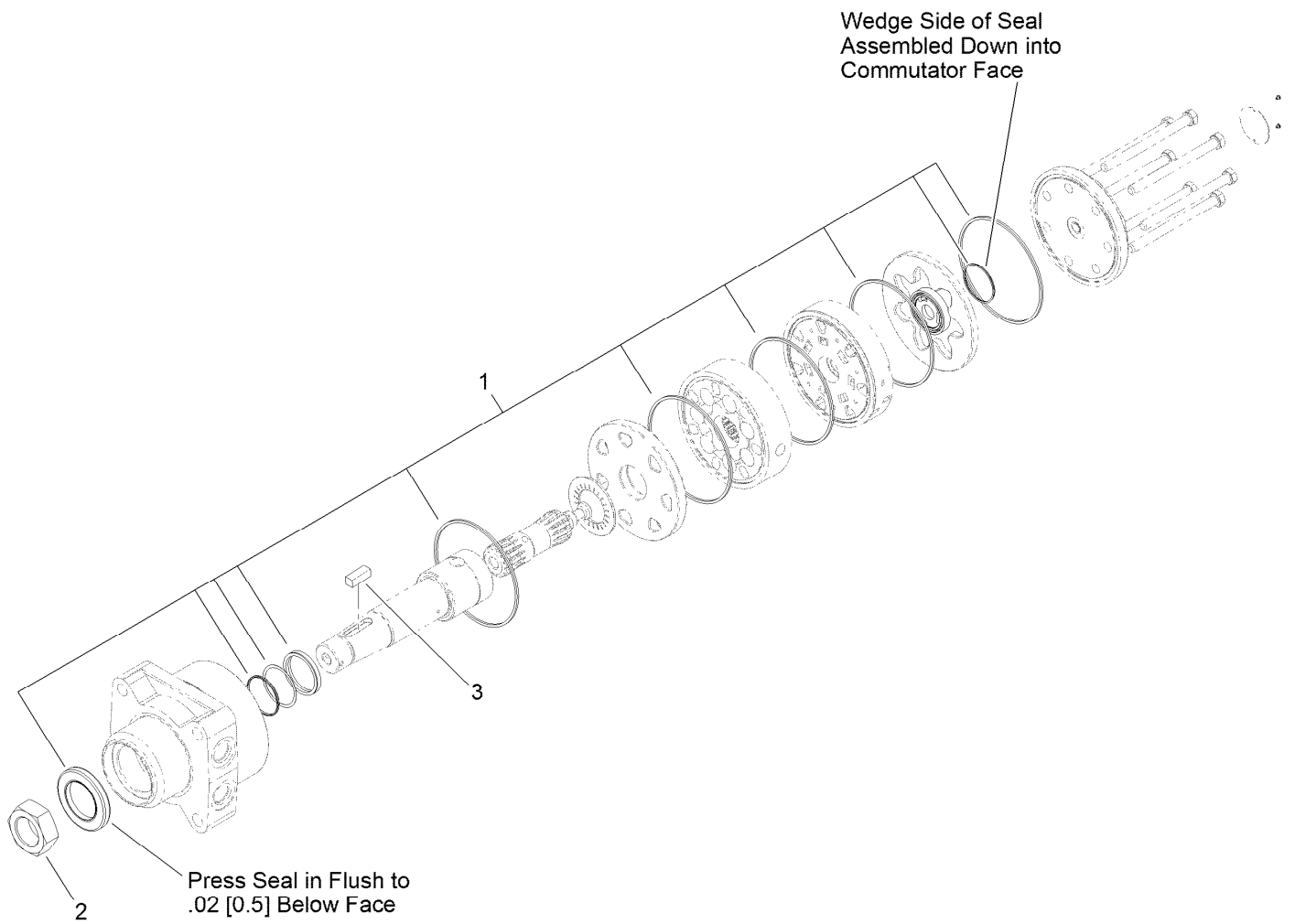
Ref.	Part Number	Qty.	Description
1	108-6981	1	Brake Shoe Kit
2	108-6983	1	Brake Hardware Kit
3	120-0236	1	LH Actuator Kit
3:1		1	Housing ●
3:2		1	Lever-LH ●
3:3		1	Pin-Pivot ●
3:4		1	E-Ring ●
4	110-8885	1	Dust Boot Kit
4:1		1	Boot ●
4:2		1	Plate-Back Up ●
4:3		2	Rivet ●

● Not serviced separately



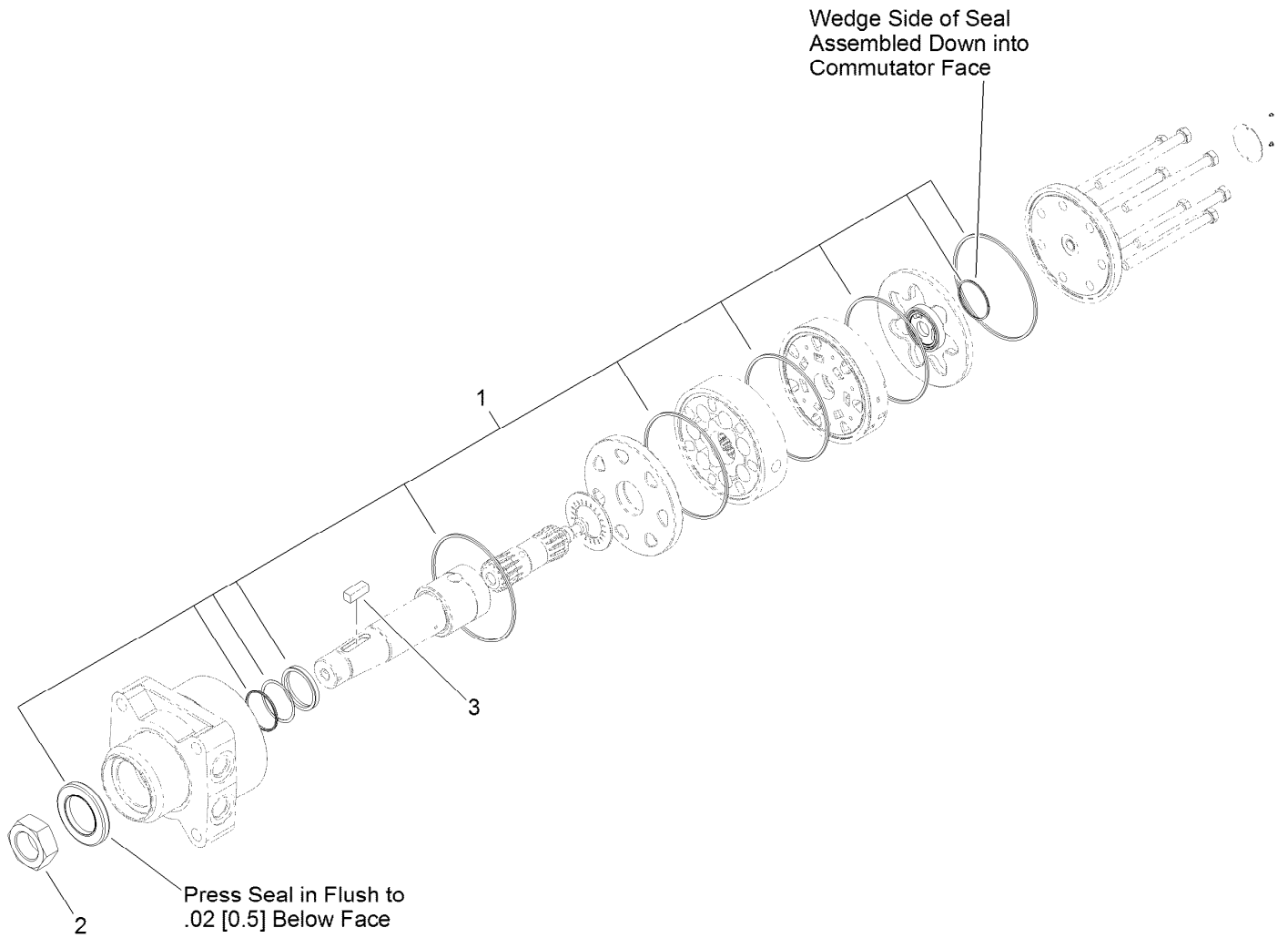
Wheel Motor and Spindle Assembly

Ref.	Part Number	Qty.	Description	Ref.	Part Number	Qty.	Description
1	117-3284	1	HYD Motor ASM (280 CCW)	3:6	241-119	1	Cap-Dust
2	121-5492	2	Wheel Hub ASM	3:7	117-8259	1	Washer-Spindle
2:2	114-3918	5	Stud-Wheel	3:8	117-8260	1	Nut
3	117-3237	2	Hub And Spindle ASM	3:9	93-0307	1	Nut-Lock, Retainer
3:1	112-7173	1	Spindle	3:10	3272-18	1	Pin-Cotter
3:2	117-8963	1	Hub ASM	5	117-3285	1	HYD Motor ASM (280 CW)
3:2:2	254-72	2	Bearing-Cup, Tapered	6	340-14	4	Fitting-HYD, 45 DEG
3:2:3	114-3918	5	Stud-Wheel	6:1	237-65	1	O-Ring
3:3	254-92	2	Cone-Bearing, Outer	6:2	237-80	1	O-Ring
3:4	112-1690	1	Seal-Oil	7	325-34	8	Screw-HH
3:5	242-50	5	Nut-Lug	8	60-9870	8	Screw-HH



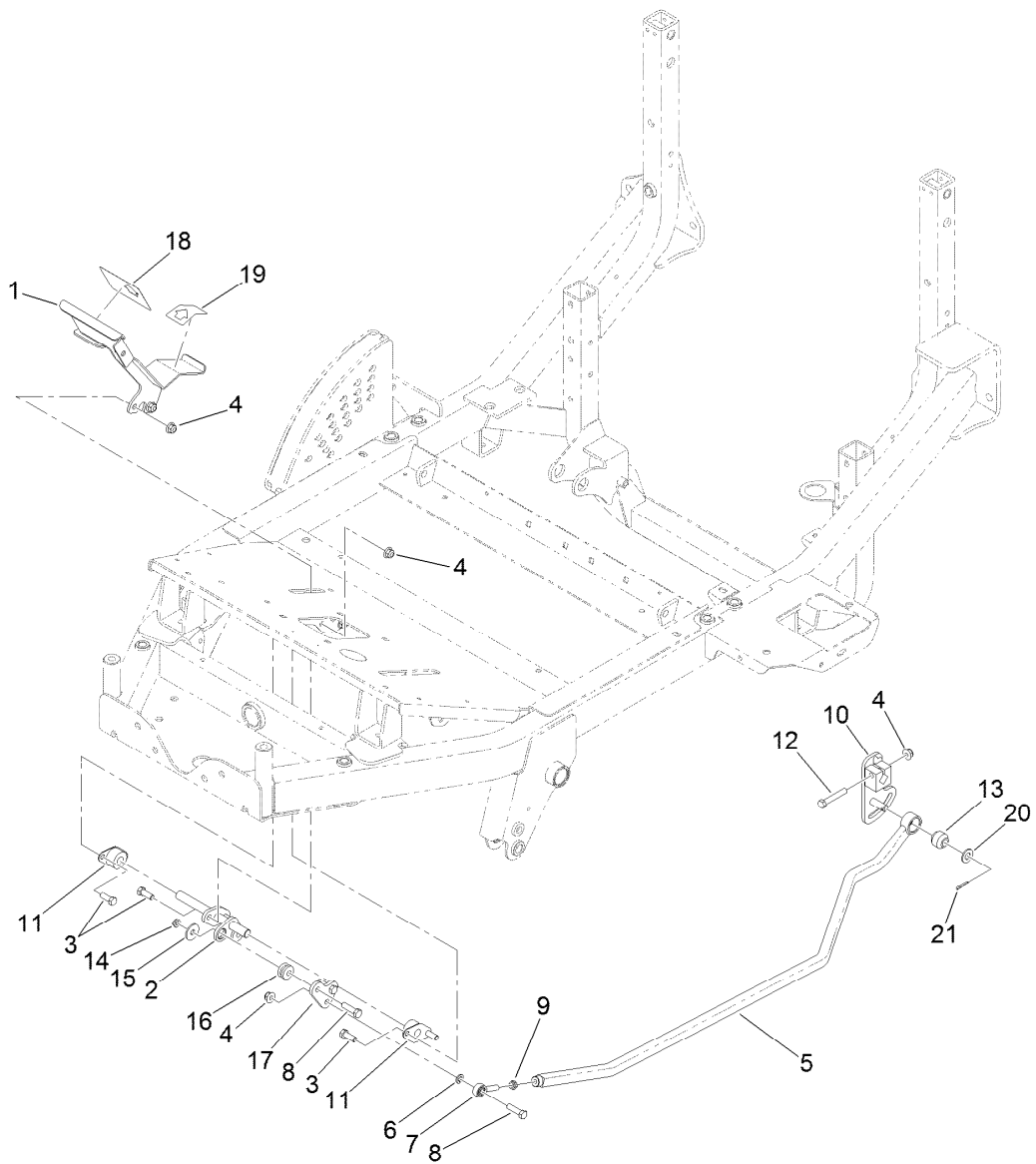
Hydraulic Motor Assembly No. 117-3284 (CCW)

<i>Ref.</i>	<i>Part Number</i>	<i>Qty.</i>	<i>Description</i>
1	107-9368	1	Seal Kit
2	117-3290	1	Nut-Hex
3	117-5198	1	Key-Square



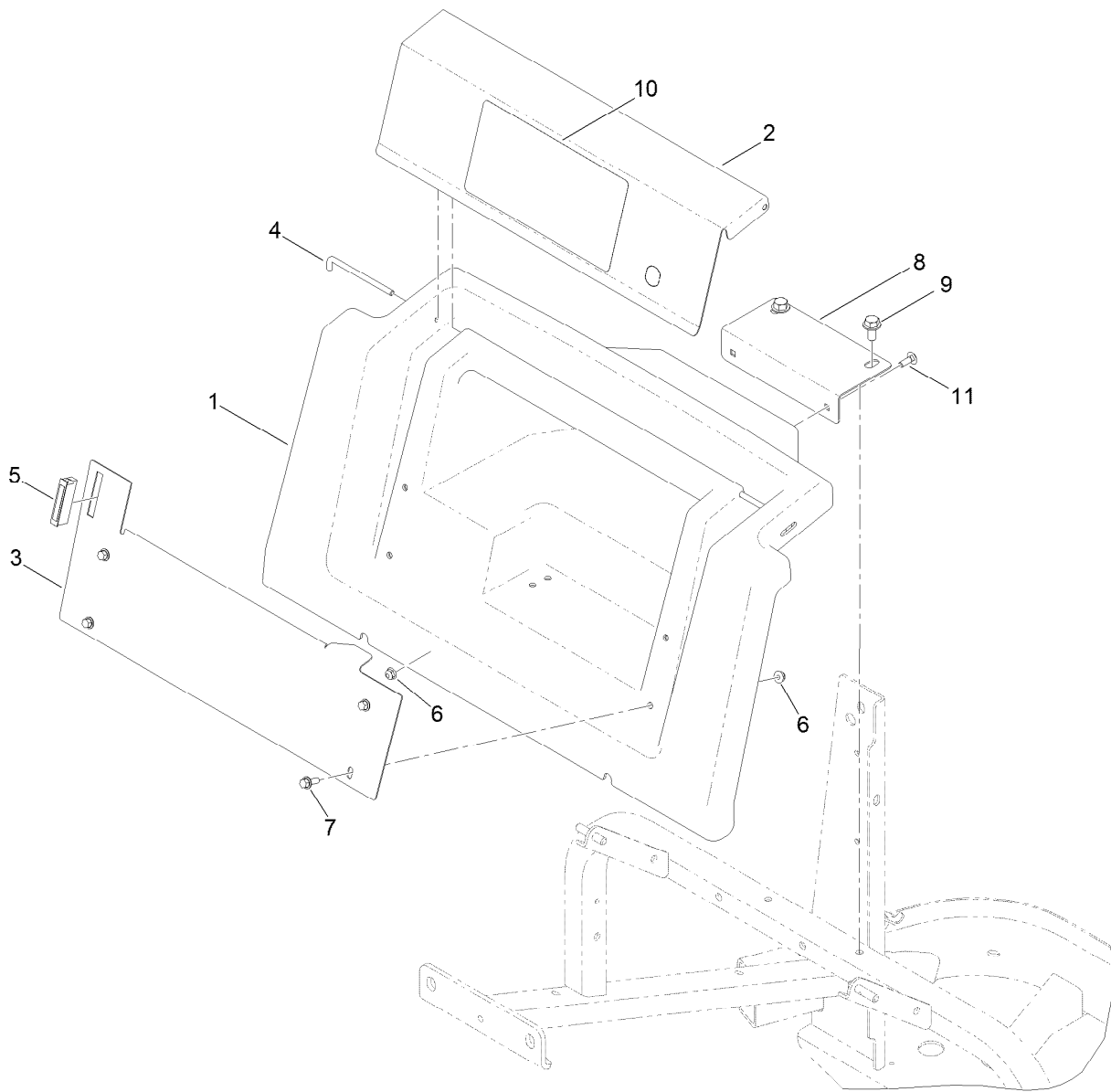
Hydraulic Motor Assembly No. 117-3285 (CW)

<i>Ref.</i>	<i>Part Number</i>	<i>Qty.</i>	<i>Description</i>
1	107-9368	1	Seal Kit
2	117-3290	1	Nut-Hex
3	117-5198	1	Key-Square



Traction Pedal Assembly

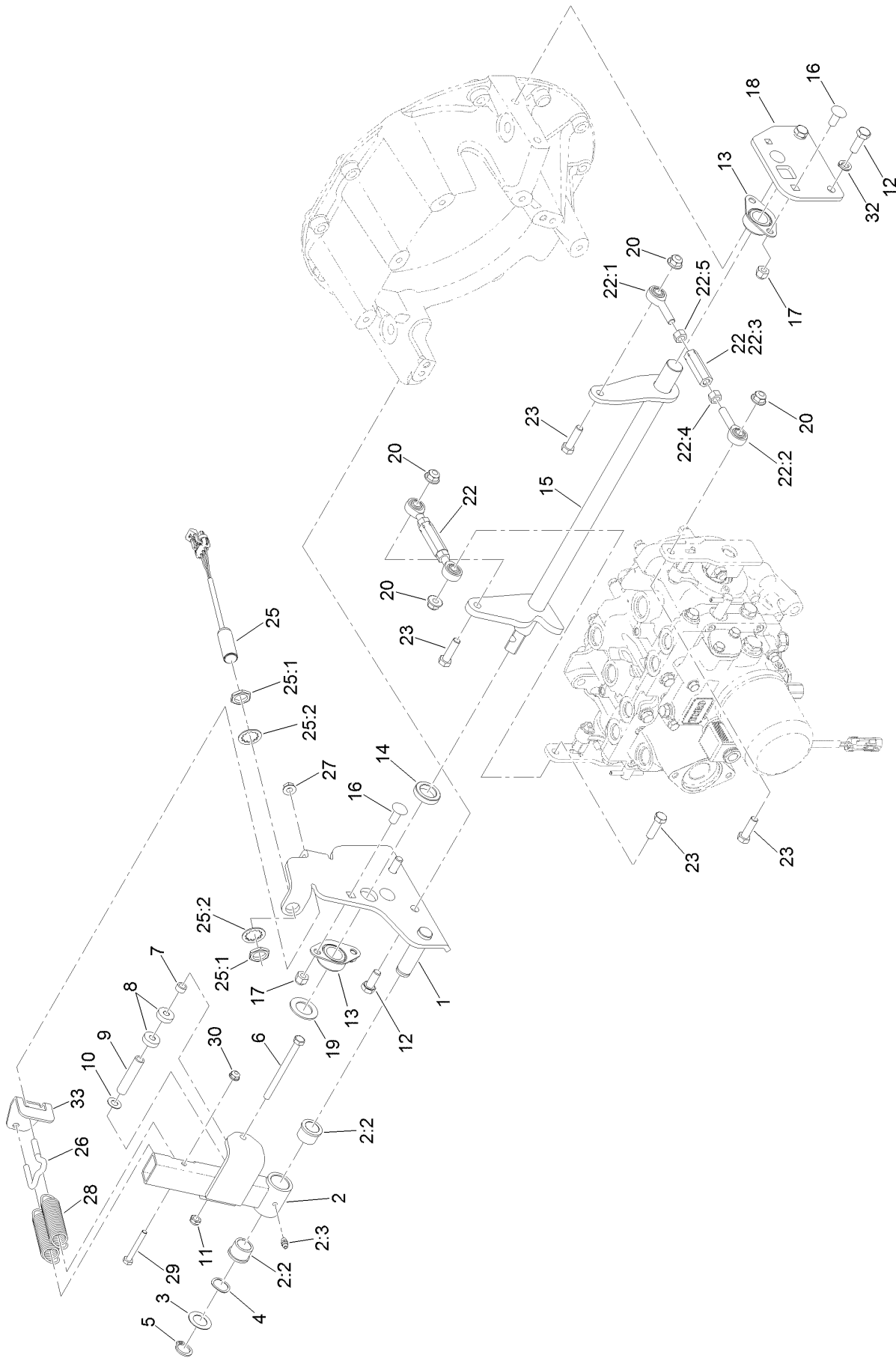
<i>Ref.</i>	<i>Part Number</i>	<i>Qty.</i>	<i>Description</i>	<i>Ref.</i>	<i>Part Number</i>	<i>Qty.</i>	<i>Description</i>
1	117-3070-01	1	Pedal	12	323-11	1	Screw-HH
2	125-4402	1	Pivot-Pedal, Isolated	13	23-2270	1	Bushing-Rubber
3	323-6	6	Screw-HH	14	3296-59	2	Nut-Lock, NI
4	104-8301	8	Nut-Flange, NI	15	93-8806	2	Washer-Hardened
5	130-4763-03	1	Traction Rod ASM	16	63-9750	2	Mount
6	3253-21	1	Washer-Lock	17	125-4401	1	Plate-Linkage, Traction
7	2411-36	1	Bearing-End, Rod	18	94-3307	1	Pad-Pedal, Traction
8	323-29	3	Screw-HH	19	94-3308	1	Pad-Pedal, Traction
9	3220-3	1	Nut-HJ	20	3256-26	1	Washer-Flat
10	130-4760-03	1	Lever-Traction	21	3272-10	1	Pin-Cotter
11	256-236	2	Bearing-Mount, Flange				



Storage Compartment Assembly

<i>Ref.</i>	<i>Part Number</i>	<i>Qty.</i>	<i>Description</i>
1	120-0222	1	Housing ASM
2	117-3185-03	1	Cover-Storage
3	117-3186-03	1	Panel-Lower
4	117-3189	2	Rod-Hinge
5	58-4250	1	Catch-Magnetic
6	104-7201	6	Nut-Flange, NI
7	3234-4	4	Screw-HHF
8	131-3362-03	1	Support-Housing
9	110-9380	2	Screw-HWH
10	120-0259	1	Decal-Instructions, Service
11	3229-1	2	Bolt-CARR

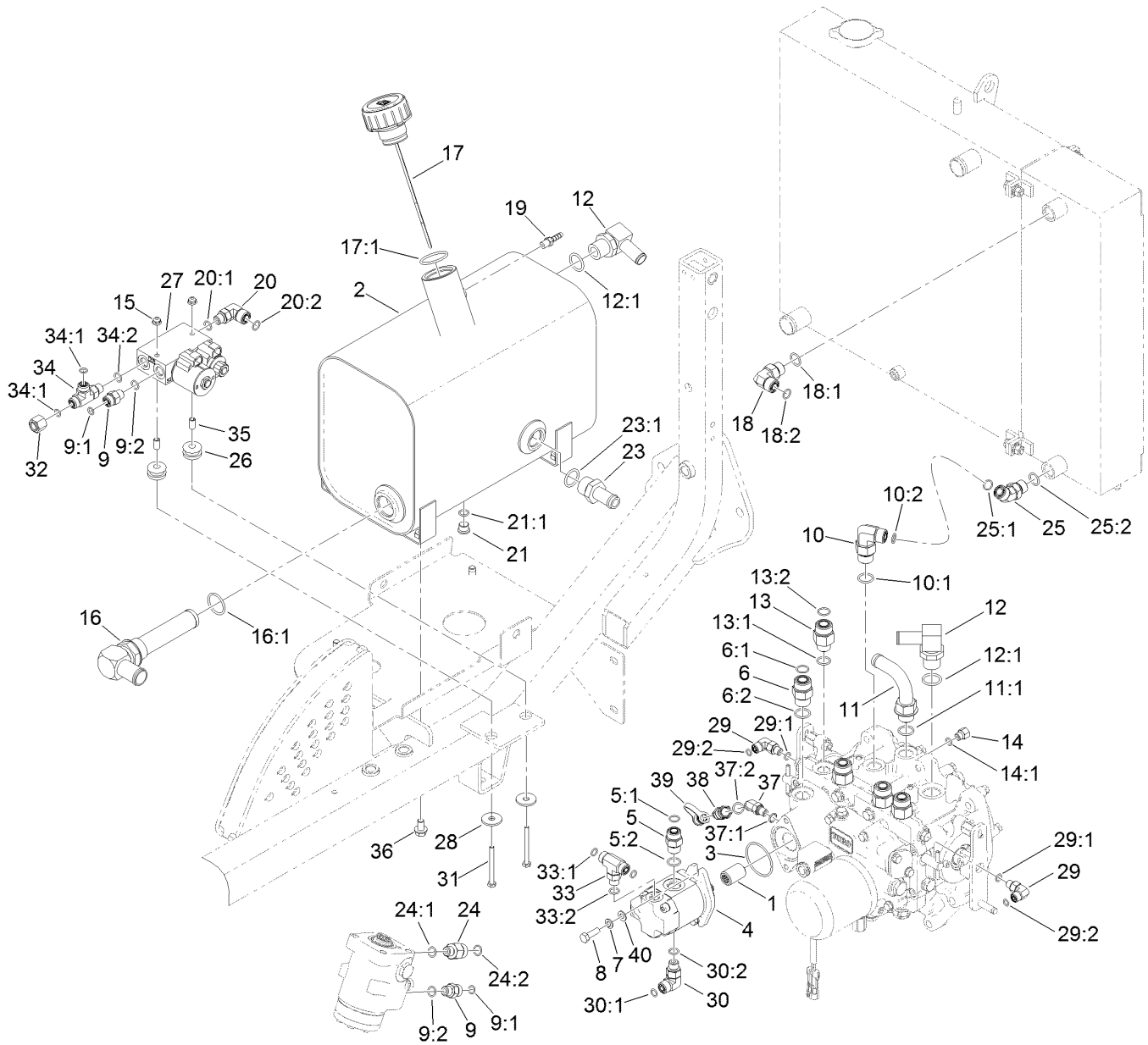
Neutral System Assembly



Neutral System Assembly (continued)

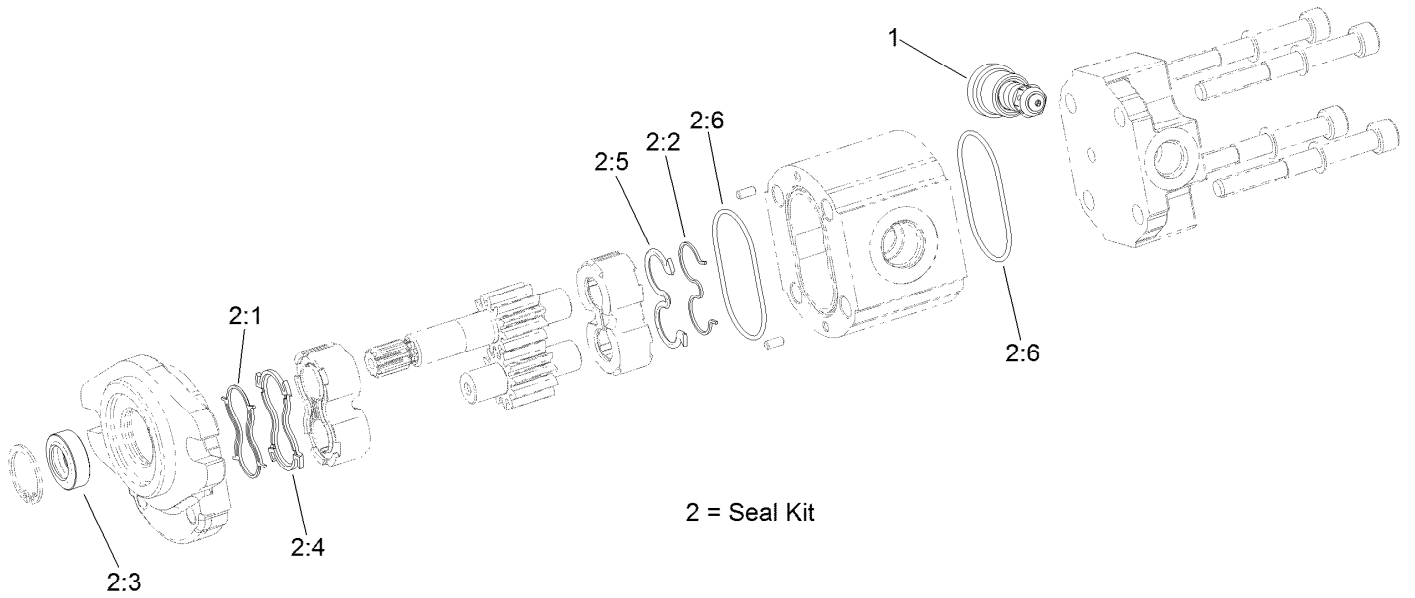
<i>Ref.</i>	<i>Part Number</i>	<i>Qty.</i>	<i>Description</i>	<i>Ref.</i>	<i>Part Number</i>	<i>Qty.</i>	<i>Description</i>
1	125-9220-03	1	Plate-End, Neutral	19	119-2332	1	Washer-Flat
2	125-4366	1	Neutral Arm ASM	20	104-8301	4	Nut-Flange, NI
2:2	256-113	2	Bushing-Flange	22	125-2870	2	Link ASM
2:3	302-5	1	Fitting-Grease	22:1	125-4389	1	Bearing-End, Rod
3	3-6498	1	Washer-Thrust	22:2	2411-36	1	Bearing-End, Rod
4	119-4164	1	Washer-Wave	22:3	125-4390	1	Hex-Adjustment
5	32120-93	1	Ring-Retaining	22:4	3219-3	1	Nut-Hex
6	322-19	1	Screw-HH	22:5	3219-20	1	Nut-Hex, LH
7	85-9120	1	Spacer-Pivot, Tilt	23	323-29	4	Screw-HH
8	251-307	2	Bearing-Ball	25	115-5300	1	Proximity Switch ASM
9	125-2877	1	Spacer	25:1	117-3207	2	Nut-Hex
10	73-0041	1	Washer-Thrust	25:2	117-3208	2	Washer-Lock, Internal Tooth
11	3296-47	1	Nut-Lock, NI	26	131-3376	1	Hook-Spring, Dual
12	120-9635	4	Screw-HH	27	32128-25	1	Nut-HF
13	117-3255	2	Bearing-Side Flange	28	131-3374	2	Spring-Extension
14	125-2879	1	Spacer-Shaft, Neutral	29	321-11	1	Screw-HH
15	125-2865-03	1	Neutral Shaft ASM	30	104-7201	1	Nut-Flange, NI
16	3231-27	4	Screw-CARR	32	48-9590	4	Washer-Lock
17	3296-39	4	Nut-Lock, NI	33	131-3377	1	Tab-Anti Rotation
18	125-9213-03	1	Plate-End, Neutral				

Deck Lift Valve and Hydraulic Fitting Assembly



Deck Lift Valve and Hydraulic Fitting Assembly (continued)

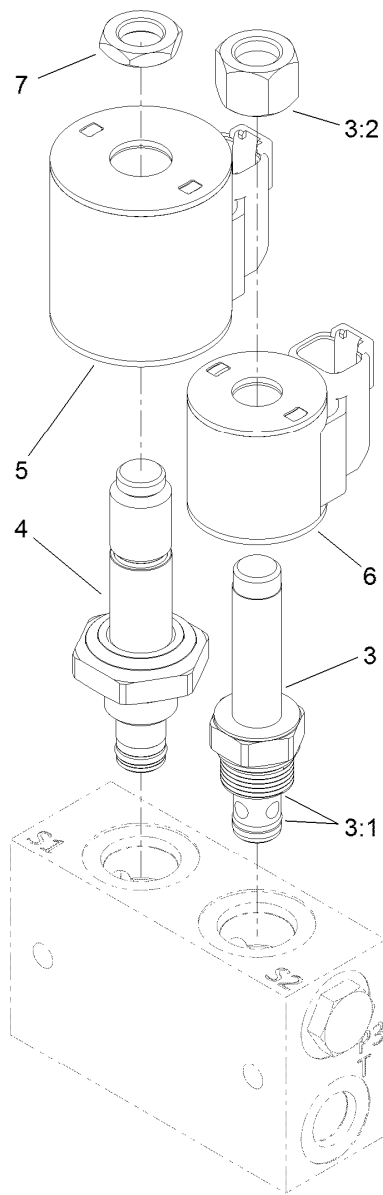
<i>Ref.</i>	<i>Part Number</i>	<i>Qty.</i>	<i>Description</i>	<i>Ref.</i>	<i>Part Number</i>	<i>Qty.</i>	<i>Description</i>
1	108-9920	1	Coupler-Spline	20:1	237-30	1	O-Ring
2	117-3372	1	Tank-Hydraulic, Metal	20:2	237-42	1	O-Ring
3	108-9919	1	O-Ring	21	353-989	1	Plug-Hex, Hollow
4	115-0375	1	Gear Pump ASM	21:1	237-42	1	O-Ring
5	340-4	1	Fitting-HYD, Straight	23	354-73	1	Fitting-Straight
5:1	237-30	1	O-Ring	23:1	237-81	1	O-Ring
5:2	237-79	1	O-Ring	24	340-5	1	Fitting-Straight
6	340-7	1	Adapter	24:1	237-42	1	O-Ring
6:1	237-65	1	O-Ring	24:2	237-30	1	O-Ring
6:2	237-80	1	O-Ring	25	340-101	1	Fitting-HYD, 45 DEG
7	3253-4	2	Washer-Lock	25:1	237-30	1	O-Ring
8	33114-025	2	Screw-HH	25:2	237-79	1	O-Ring
9	340-2	5	Fitting-HYD, Straight	26	63-9750	2	Mount
9:1	237-22	1	O-Ring	27	131-1934	1	Deck Lift Valve ASM
9:2	237-42	1	O-Ring	28	63-8410	2	Washer
10	340-105	1	Fitting-HYD, 90 DEG	29	340-132	2	Fitting-HYD, 90 DEG
10:1	237-80	1	O-Ring	29:1	237-78	1	O-Ring
10:2	237-30	1	O-Ring	29:2	237-21	1	O-Ring
11	110-5522	1	Fitting-Elbow, 90	30	340-77	1	Fitting-HYD, 90 DEG
11:1	237-80	1	O-Ring	30:1	237-22	1	O-Ring
12	353-987	2	Fitting-HYD, 90 DEG (Barbed)	30:2	237-42	1	O-Ring
12:1	237-81	1	O-Ring	31	321-14	2	Screw-HH
13	340-155	4	Fitting-HYD, Straight	32	340-117	1	Cap
13:1	237-79	1	O-Ring	33	340-94	1	Adapter
13:2	237-151	1	O-Ring	33:1	237-22	2	O-Ring
14	110-5536	1	Fitting-HYD, Adapter	33:2	237-42	1	O-Ring
14:1	237-78	1	O-Ring	34	340-86	1	Fitting-Tee
15	104-7201	2	Nut-Flange, NI	34:1	237-22	2	O-Ring
16	105-0204	1	Strainer Fitting ASM	34:2	237-42	1	O-Ring
16:1	237-146	1	O-Ring	35	80-0650	2	Spacer-Tubular
17	117-3389	1	Cap-Tank, Hydraulic	36	32144-15	4	Screw-HHFTF
17:1	237-101	1	O-Ring	37	340-103	1	Fitting-HYD, 45 DEG
18	340-98	1	Fitting-HYD, 90 DEG	37:1	237-78	1	O-Ring
18:1	237-79	1	O-Ring	37:2	237-21	1	O-Ring
18:2	237-30	1	O-Ring	38	115-8886	1	Nipple-Test
19	94-7220	1	Fitting-Barb, Hose	39	354-79	1	Cap-Dust
20	340-99	1	Fitting-HYD, 90 DEG	40	3256-23	2	Washer-Flat



Hydraulic Gear Pump Assembly No. 115-0375

<i>Ref.</i>	<i>Part Number</i>	<i>Qty.</i>	<i>Description</i>
1	115-0376	1	Valve-Relief, 125 Bar
2	112-0199	1	Seal Kit
2:1		1	Seal-Anti Extrusion ●
2:2		1	Seal-Anti Extrusion ●
2:3		1	Seal-Shaft ●
2:4		1	Seal-Upper ●
2:5		1	Seal ●
2:6		2	O-Ring ●

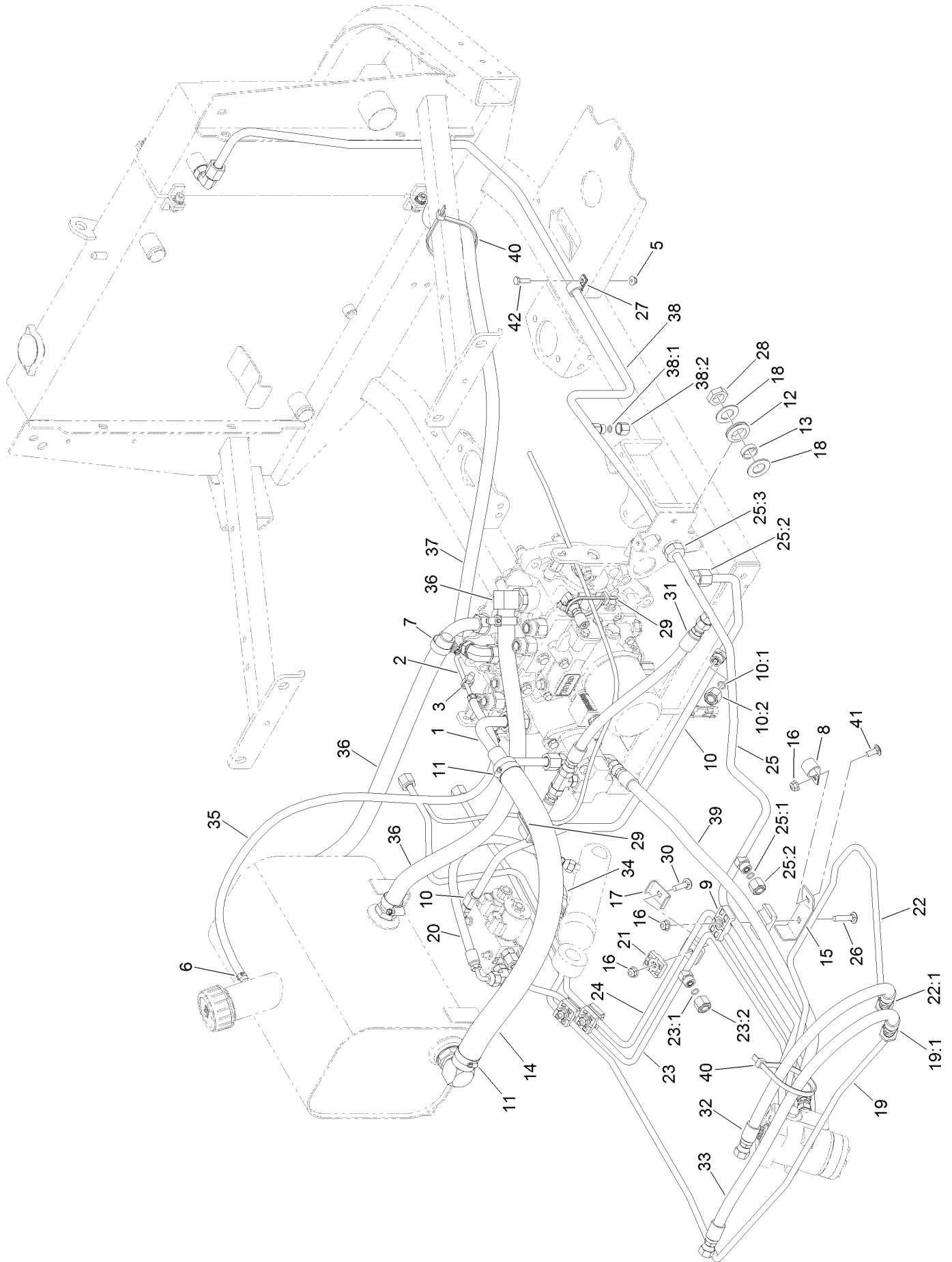
● Not serviced separately



Valve Assembly No. 131-1934

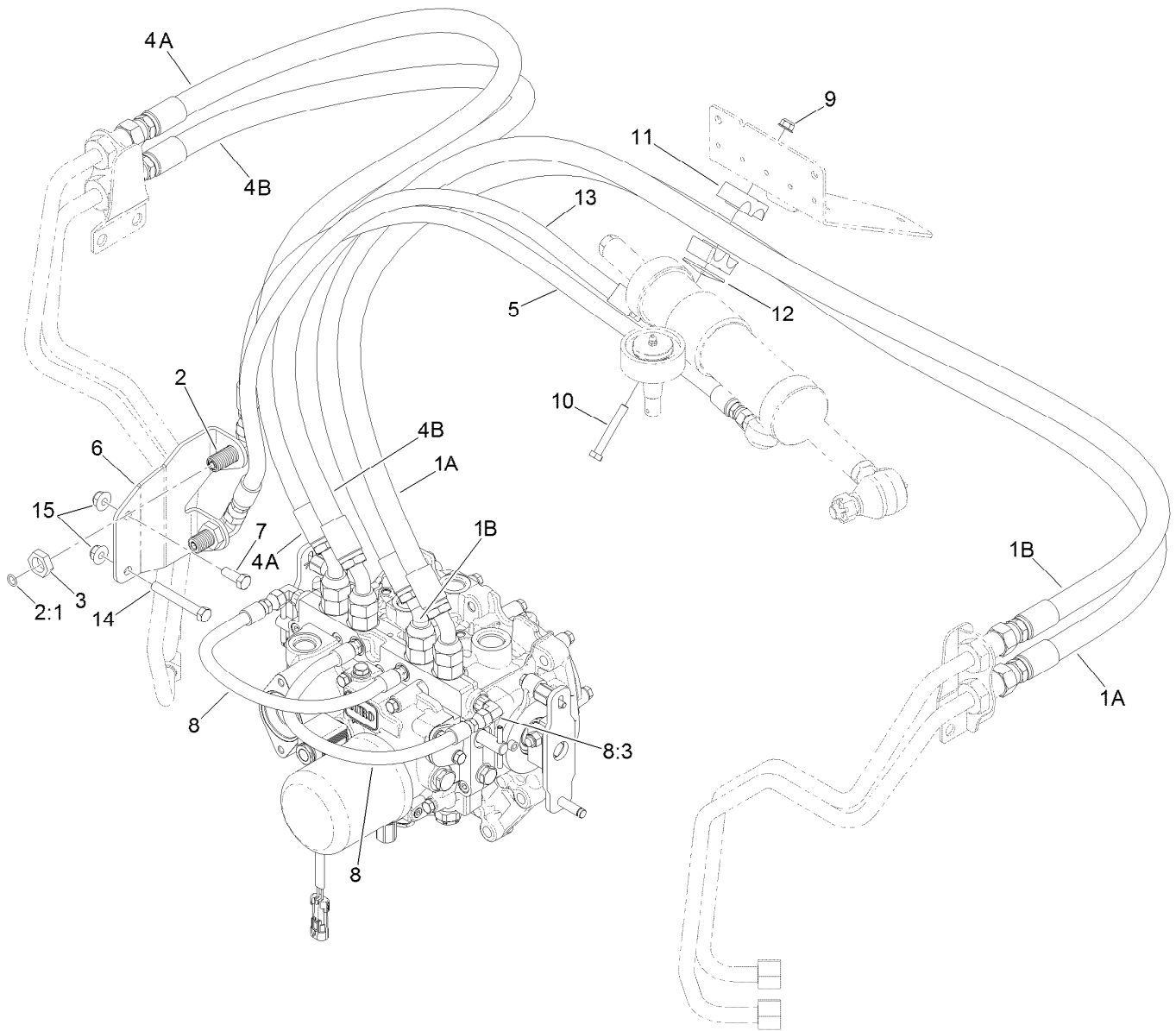
<i>Ref.</i>	<i>Part Number</i>	<i>Qty.</i>	<i>Description</i>
3	107-7517	1	Valve-Solenoid
3:1	105-9156	1	Seal Kit
3:2	107-7812	1	Nut-Solenoid
4	131-1935	1	Valve-Solenoid
5	115-3021	1	Coil-12V
6	119-8036	1	E Coil-12 Vdc
7	110-2634	1	Nut-Coil

Hydraulic Tube and Hose Assembly



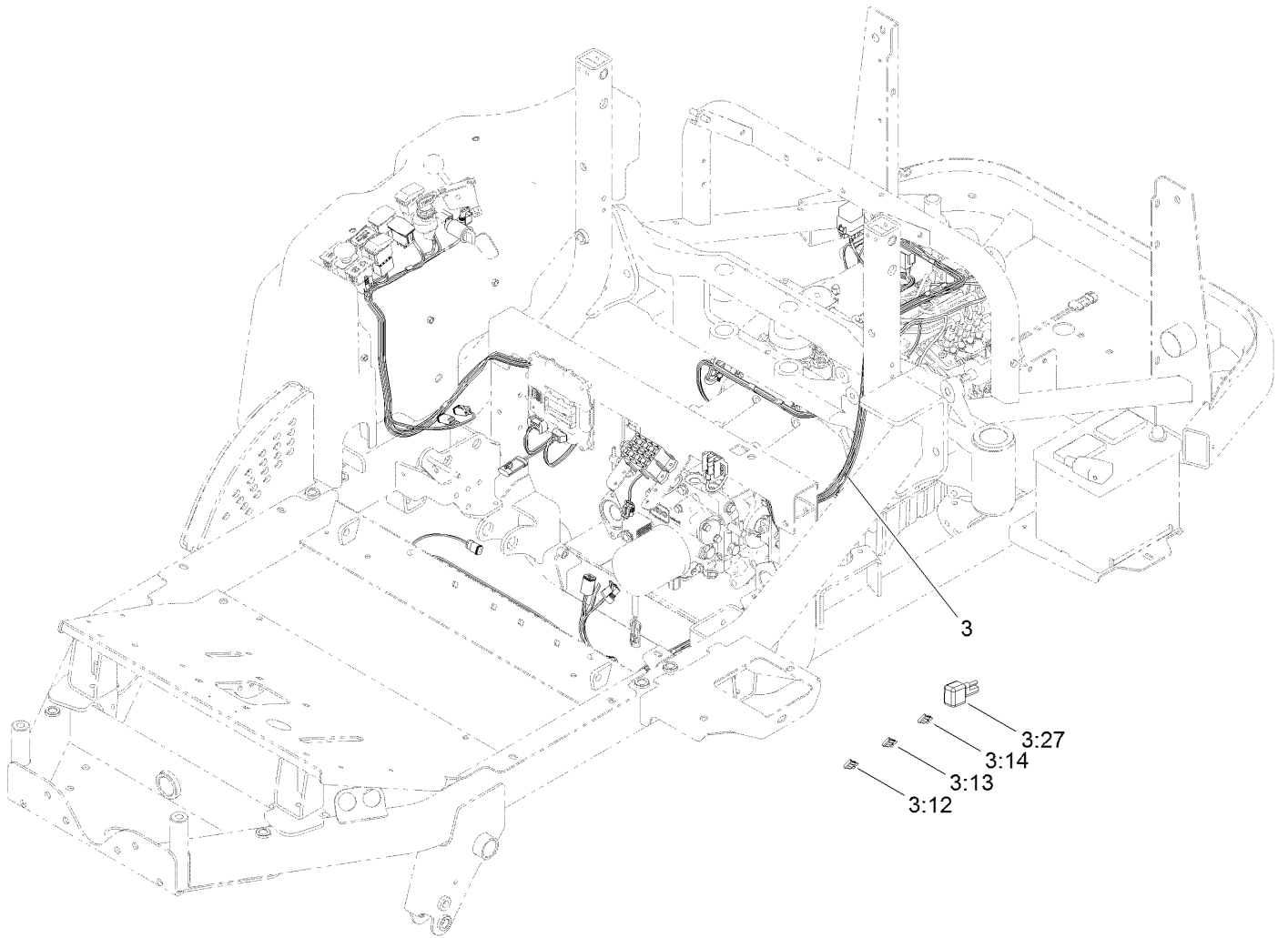
Hydraulic Tube and Hose Assembly (continued)

<i>Ref.</i>	<i>Part Number</i>	<i>Qty.</i>	<i>Description</i>	<i>Ref.</i>	<i>Part Number</i>	<i>Qty.</i>	<i>Description</i>
1	115-0184	1	Suction Tube ASM	23:1	237-22	1	O-Ring
2	110-5537	1	Tube	23:2	340-117	1	Cap
3	32180-030	1	Clip-Tie	24	117-3112	1	Tube-Steering, Manifold
5	104-7201	1	Nut-Flange, NI	25	127-4872	1	Steer/Drain Tube ASM
6	2412-98	2	Clamp-Hose	25:1	237-22	2	O-Ring
7	2412-129	4	Clamp-Hose	25:2	340-117	1	Cap
8	2412-4	1	Clamp	25:3	237-30	2	O-Ring
9	56-7972	2	Clamp-Tube	26	3230-4	1	Screw-CARR
10	125-2893	1	Tube ASM	27	2412-87	1	Clamp-Cable
10:1	237-22	1	O-Ring	28	340-127	1	Nut-Bulkhead
10:2	340-117	1	Cap	29	3290-378	2	Tie-Cable
11	2412-34	2	Clamp-Hose	30	3230-3	3	Screw-CARR
12	240-5	1	Grommet	31	117-3122	1	Hose ASM
13	69-8960	1	Spacer	32	119-1433	1	Hose ASM
14	117-3200	1	Hose-Suction	33	100-5629	1	Hose ASM
15	120-0245	1	Bracket-Support	34	117-3123	1	Hose-HYD
16	104-8300	5	Nut-Flange, NI	35	109-0275	1	Hose-Fuel
17	119-1418	3	Plate-Clamp	36	117-3121	2	Hose ASM
18	69-8930	2	Washer	37	105-4193	1	HYD Hose ASM
19	117-3117	1	Front Cylinder Steer Manifold Tube ASM	38	117-3114	1	Tube-Drain, Cooler
19:1	237-22	1	O-Ring	38:1	237-21	1	O-Ring
20	110-0928	1	Hose-HYD	38:2	117-3297	1	Fitting-Cap
21	56-7973	6	Clamp-Tube	39	119-8114	1	HYD Hose ASM
22	117-3110	1	Front Steering Tube ASM	40	3334-945	2	Tie-Cable
22:1	237-22	1	O-Ring	41	3230-23	1	Screw-CARR
23	125-2890	1	Steer/Lift Tube ASM	42	321-5	1	Screw-HH



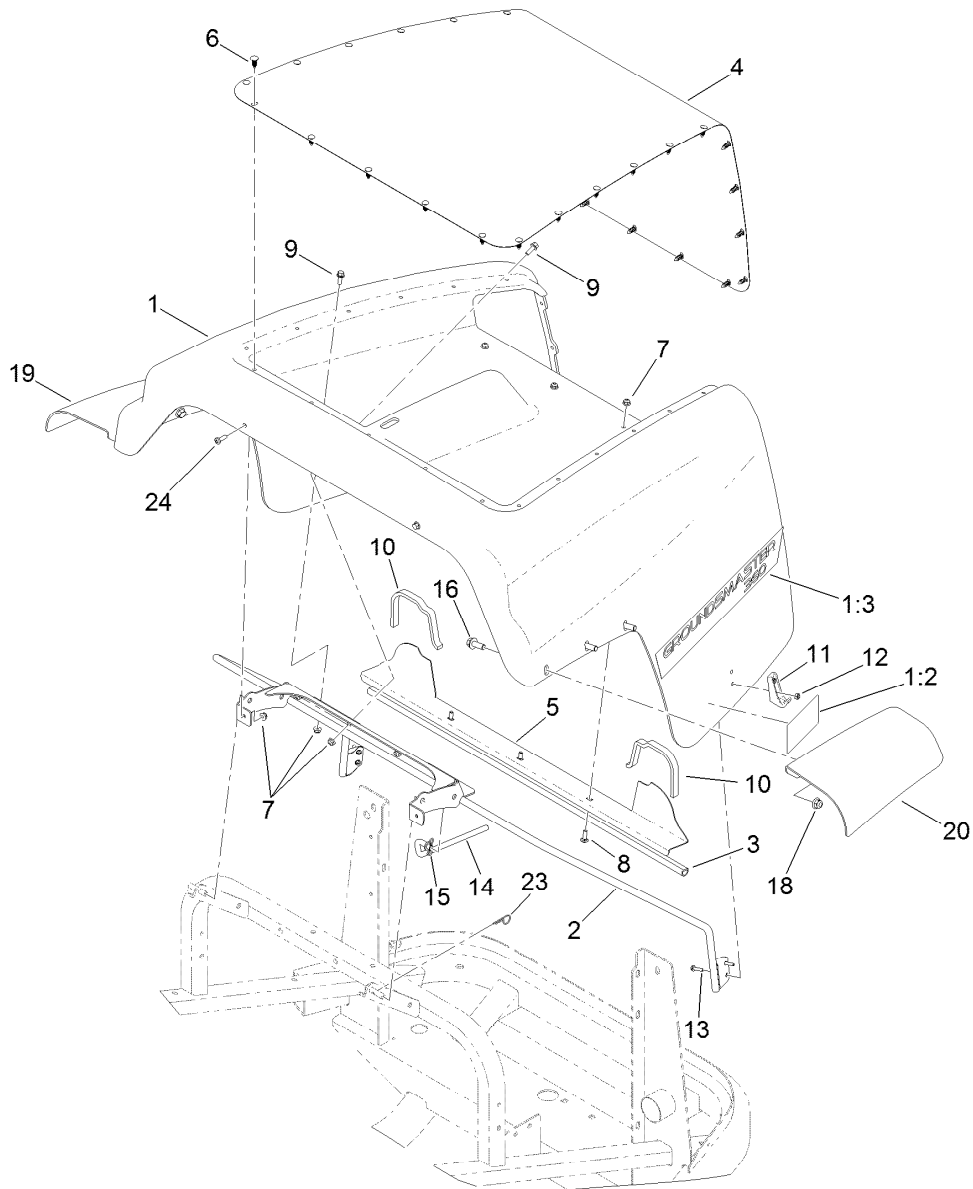
2 Wheel Drive Hydraulic Hose Assembly

<i>Ref.</i>	<i>Part Number</i>	<i>Qty.</i>	<i>Description</i>	<i>Ref.</i>	<i>Part Number</i>	<i>Qty.</i>	<i>Description</i>
1	117-3249	2	Hose ASM	8:3	237-78	1	O-Ring
2	340-154	2	Union-Bulkhead	9	104-8300	1	Nut-Flange, NI
2:1	237-22	2	O-Ring	10	322-11	1	Screw-HH
3	340-70	2	Nut-Lock	11	56-7974	2	Clamp-Tube
4	131-5506	2	Hose ASM	12	69-9761	1	Plate-Cover
5	119-8114	1	HYD Hose ASM	13	119-1434	1	Hose ASM
6	117-3201-03	1	Support-Fitting	14	323-13	1	Screw-HH
7	323-6	1	Screw-HH	15	104-8301	2	Nut-Flange, NI
8	115-0377	2	Hose ASM				



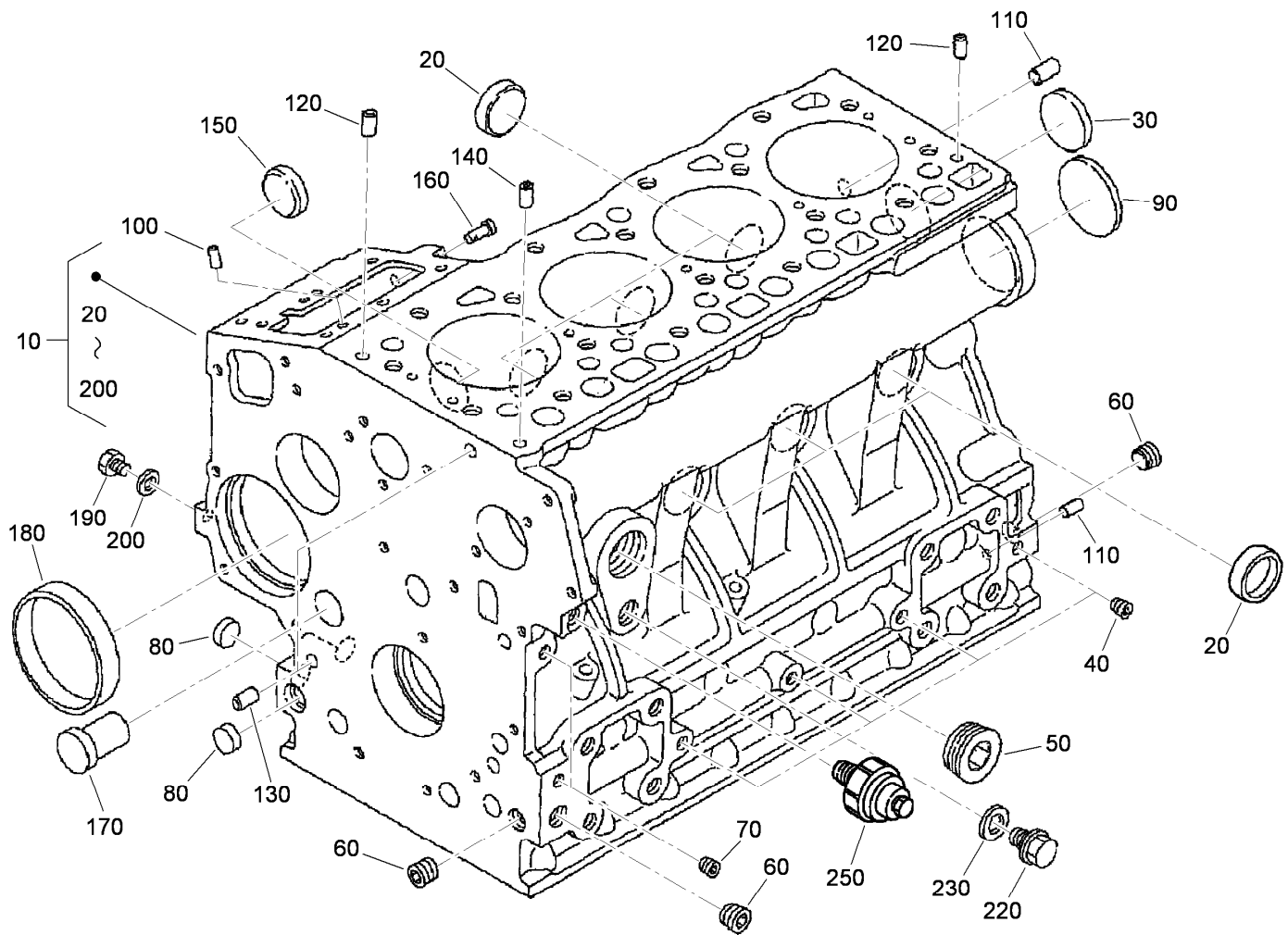
Main Wire Harness Assembly

<i>Ref.</i>	<i>Part Number</i>	<i>Qty.</i>	<i>Description</i>
3	121-6566	1	Harness-Wire
3:12	94-6710	1	Fuse-2 Amp
3:13	218-578	5	Fuse-Blade, 10 Amp
3:14	109355	2	Fuse-Blade, 15 Amp
3:27	104-4022	1	Resistor-75 Ohm



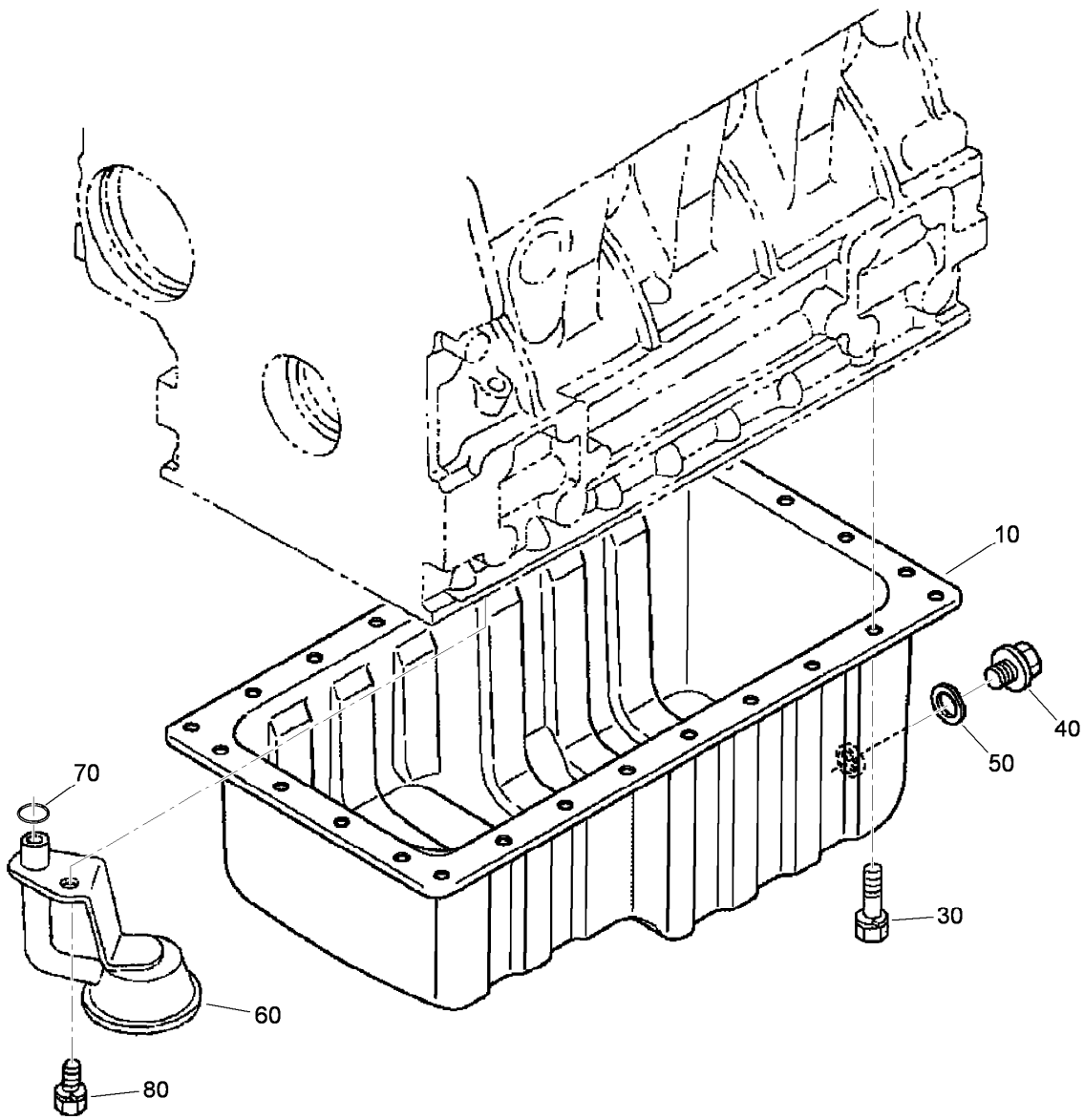
Hood Assembly

<i>Ref.</i>	<i>Part Number</i>	<i>Qty.</i>	<i>Description</i>	<i>Ref.</i>	<i>Part Number</i>	<i>Qty.</i>	<i>Description</i>
1	120-0266	1	Hood ASM	11	103-2897	2	Latch-Catch
1:2	117-3270	2	Decal-Danger	12	3296-2	4	Nut-Lock, NI
1:3	117-3279	2	Decal-Hood	13	32105-13	4	Screw-HWH
2	115-0364-03	1	Mount-Hood	14	117-3171	1	Rod-Prop
3	115-0423	1	Seal-Bulb	15	119-1415	1	Pin-Cotter, Locking
4	115-0370-03	1	Screen	16	3234-42	6	Screw-HHF
5	115-0422-03	1	Seal-Hood	18	104-8301	6	Nut-Flange, NI
6	117-2382	29	Plug-Plastic	19	117-3369	1	Fender-Rear, RH
7	104-7201	11	Nut-Flange, NI	20	117-3368	1	Fender-Rear, LH
8	3229-1	3	Bolt-CARR	23	9335054	1	Pin-Hair
9	3234-4	6	Screw-HHF	24	3250-32	2	Screw-PPH
10	110-8288	2	Seal-Foam				



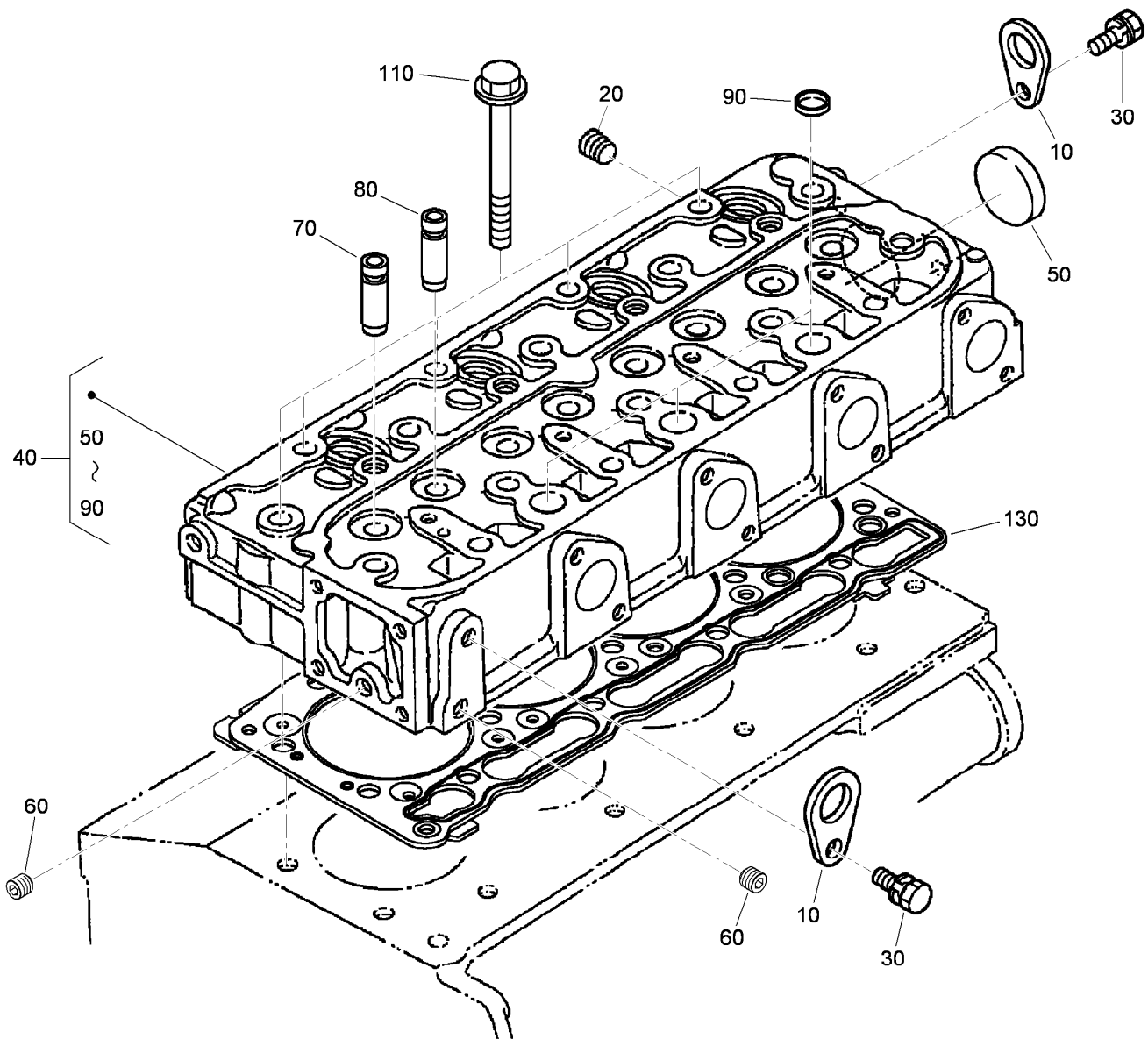
Crankcase Assembly

<i>Ref.</i>	<i>Part Number</i>	<i>Qty.</i>	<i>Description</i>	<i>Ref.</i>	<i>Part Number</i>	<i>Qty.</i>	<i>Description</i>
10	120-2558	1	Crankcase ASM	130	98-9387	2	Pin-Pipe
20	98-9398	6	Cap-Sealing	140	98-9539	1	Pin-Pipe
30	98-7539	1	Cap-Sealing	150	98-9599	1	Plug
40	98-7540	4	Plug	160	105-3796	1	Pin-Spring, Start
50	105-3779	1	Plug	170	98-9675	1	Plug
60	98-9597	3	Plug	180	98-9656	1	Bushing-Governor, Gear
70	98-7487	2	Plug	190	120-2559	1	Plug
80	98-9379	3	Plug-Expansion	200	98-7428	1	Gasket
90	98-9668	1	Plug-Expansion	220	99-3447	1	Plug
100	98-9375	2	Pin-Straight	230	106-7056	1	Gasket
110	98-9377	2	Pin-Straight	250	98-9416	1	Switch-Oil
120	98-9376	2	Pin-Straight				



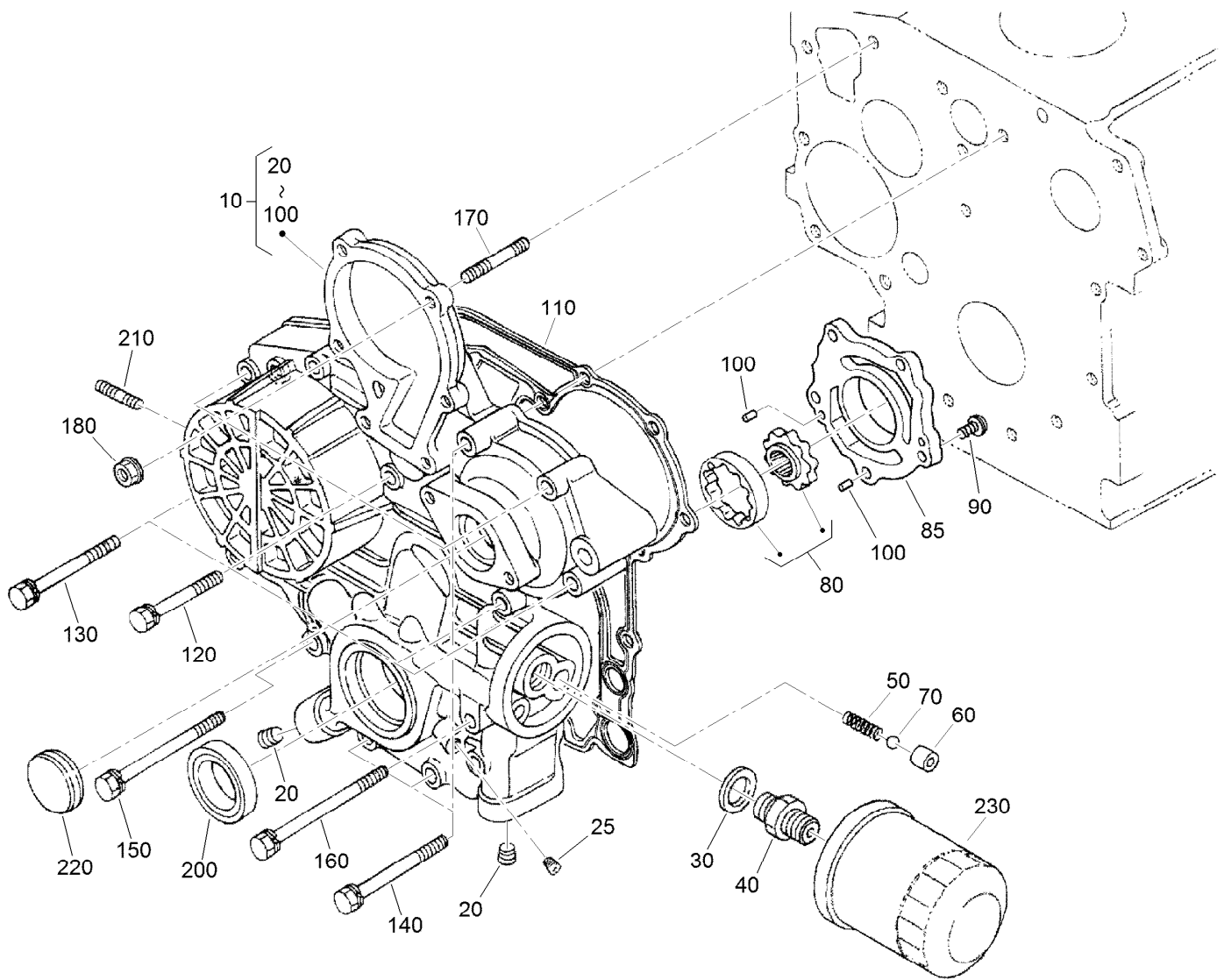
Oil Pan Assembly

<i>Ref.</i>	<i>Part Number</i>	<i>Qty.</i>	<i>Description</i>
10	112-0186	1	Oil Pan ASM
30	98-9351	26	Bolt
40	114-8151	1	Plug-Drain
50	98-7524	1	Gasket
60	112-7003	1	Head-Filter, Oil
70	105-3776	1	O-Ring
80	98-7526	1	Bolt



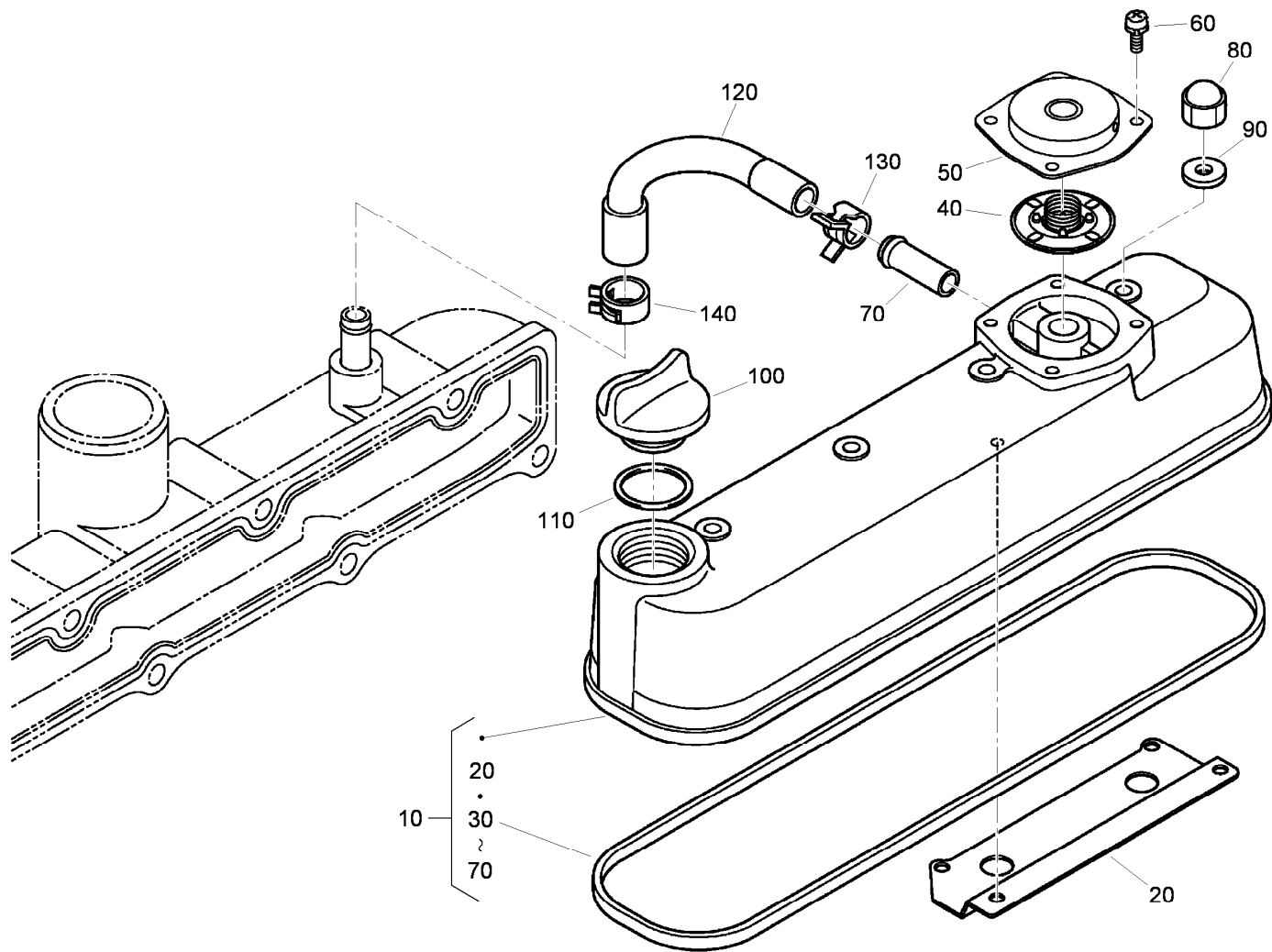
Cylinder Head Assembly

<i>Ref.</i>	<i>Part Number</i>	<i>Qty.</i>	<i>Description</i>
10	98-7531	2	Hook-Engine
20	98-9444	1	Plug
30	100-9195	2	Bolt
40	115-3012	1	Cylinder Head ASM
50	105-3705	1	Cap-Sealing
60	98-7540	2	Plug
70	107-9066	4	Guide-Valve, Inlet
80	107-9067	4	Guide-Valve, Exhaust
90	98-9389	3	Cap-Sealing
110	98-9479	18	Bolt-Head, Cylinder
130	108-2855	1	Gasket-Head, Cylinder



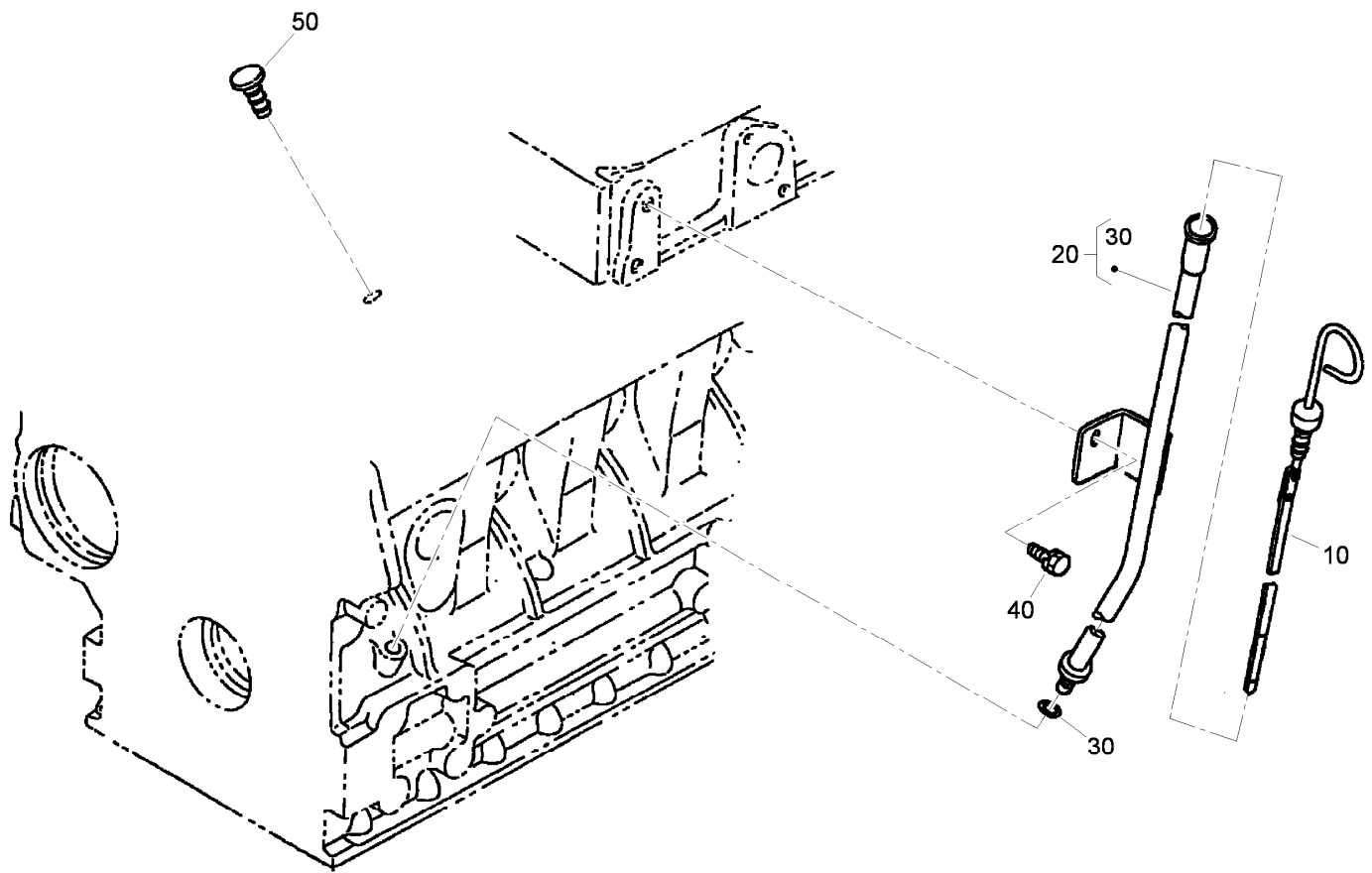
Gear Case Assembly

Ref.	Part Number	Qty.	Description	Ref.	Part Number	Qty.	Description
10	115-4105	1	Gear Case ASM	110	98-9633	1	Gasket-Case, Gear
20	98-9598	2	Plug	120	107-9073	3	Bolt
25	98-7487	1	Plug	130	105-3797	4	Bolt
30	98-7562	1	Washer-Plain	140	98-9356	4	Bolt
40	98-9388	1	Joint-Pipe	150	107-9074	1	Bolt
50	98-9544	1	Spring	160	98-9586	1	Bolt
60	98-9543	1	Seat-Valve	170	105-3709	1	Stud
70	98-9380	1	Ball	180	100-2203	1	Nut-Flange
80	98-9540	1	Oil Pump Rotor ASM	200	119-8038	1	Seal-Oil
85	107-9069	1	Cover-Pump, Oil	210	105-3710	2	Stud
90	107-9071	5	Screw	220	98-9641	1	Cover-Case, Gear
100	107-9072	2	Pin-Straight	230	108-3841	1	Filter-Oil



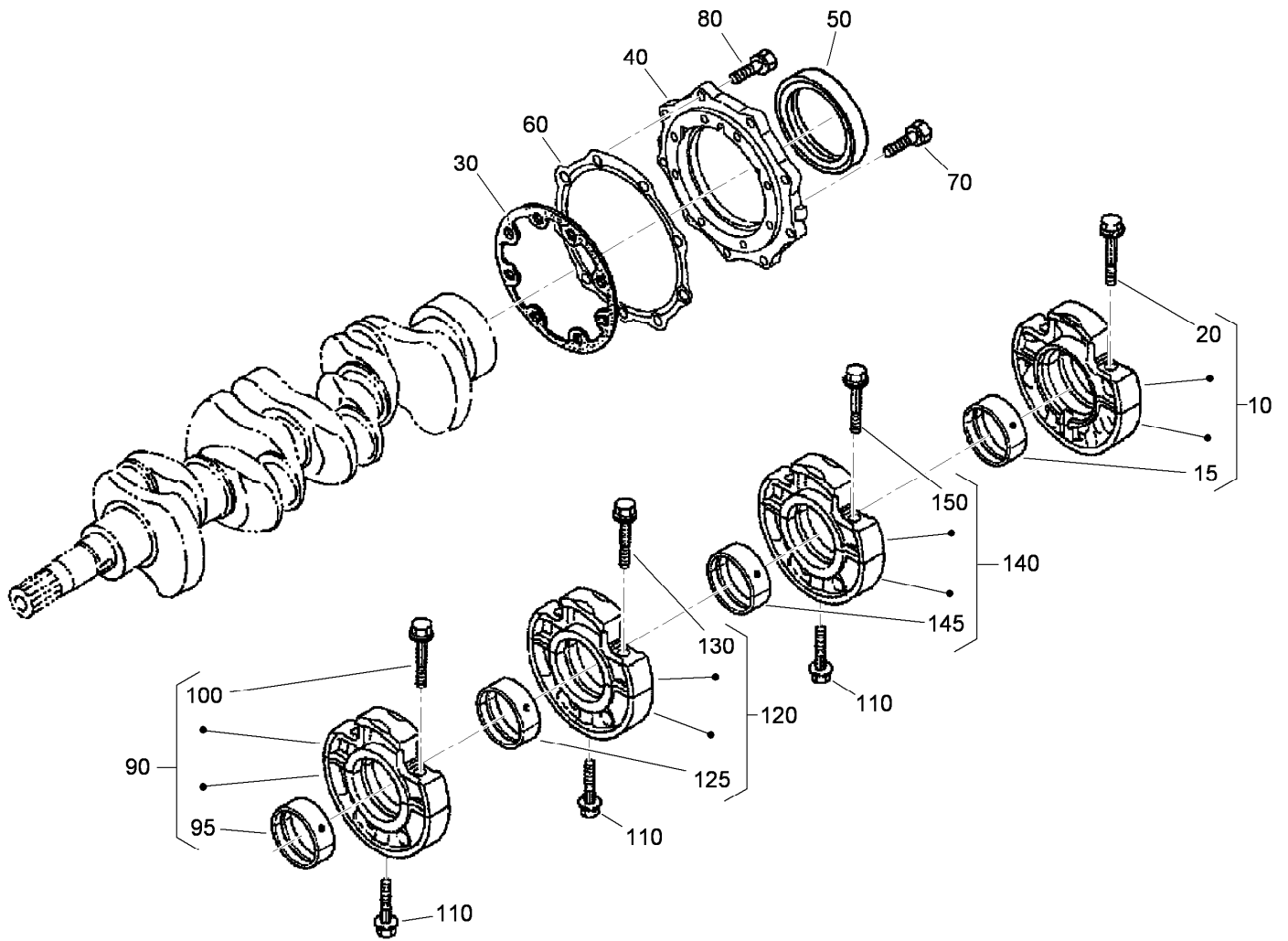
Cylinder Head Cover Assembly

Ref.	Part Number	Qty.	Description
10	115-4130	1	Cylinder Head Cover ASM
20	108-2857	1	Shield-Breather
30	105-3712	1	Gasket-Cover, Head
40	110-3715	1	Valve-Breather
50	110-3714	1	Cover-Breather
60	98-9364	4	Screw (With Washer)
70	98-7766	1	Pipe-Return, Water
80	98-9455	4	Nut-Cap
90	98-9454	4	Gasket
100	107-9075	1	Plug-Filler, Oil
110	120-2560	1	O-Ring
120	108-2858	1	Tube-Breather
130	108-2859	1	Clamp-Hose
140	108-2860	1	Clamp-Hose



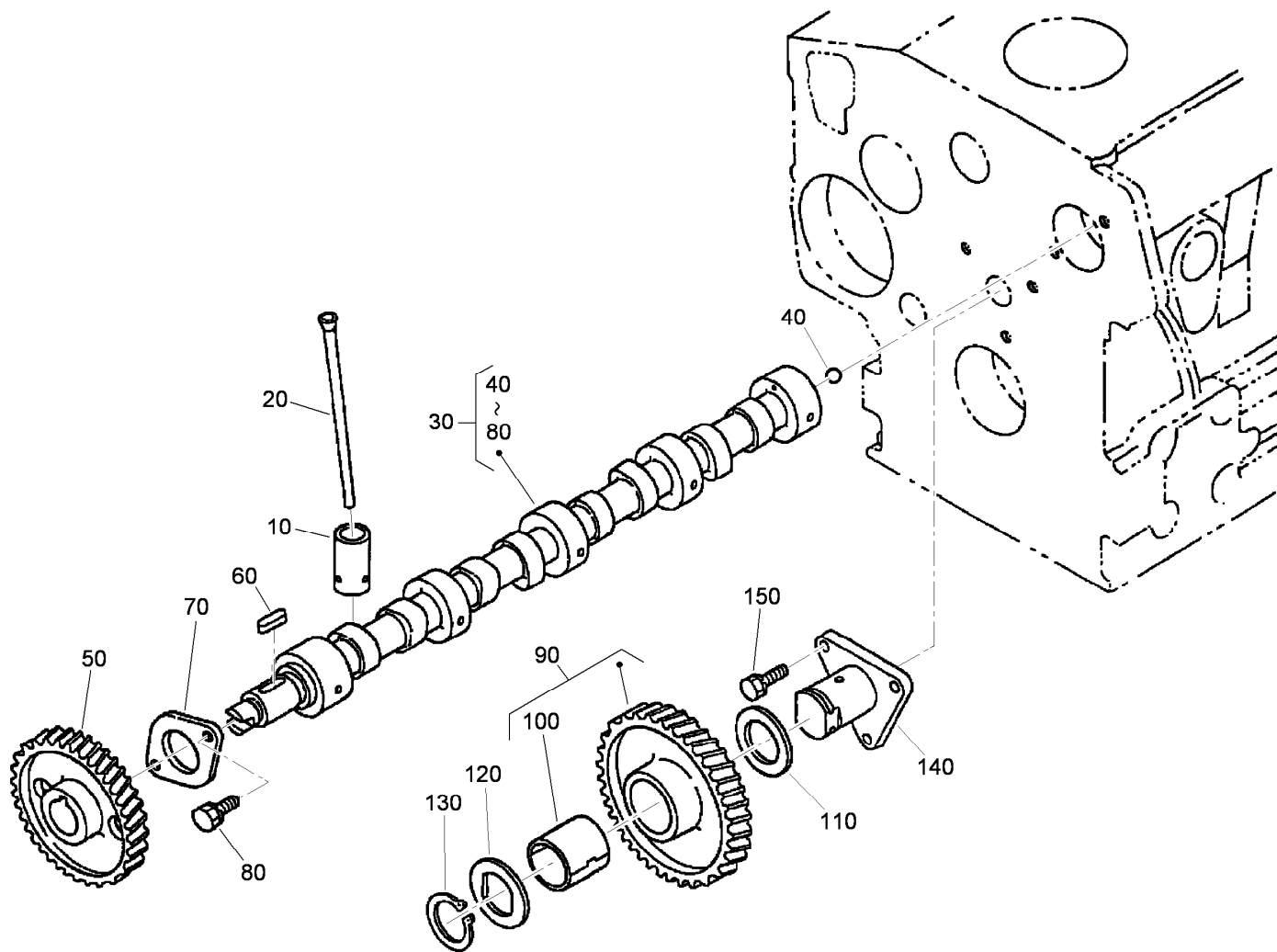
Dipstick and Guide Assembly

<i>Ref.</i>	<i>Part Number</i>	<i>Qty.</i>	<i>Description</i>
10	98-9670	1	Gauge-Oil
20	98-9672	1	Oil Gauge Guide ASM
30	98-9722	1	O-Ring
40	100-9195	1	Bolt
50	110-3720	1	Plug-Gauge, Oil



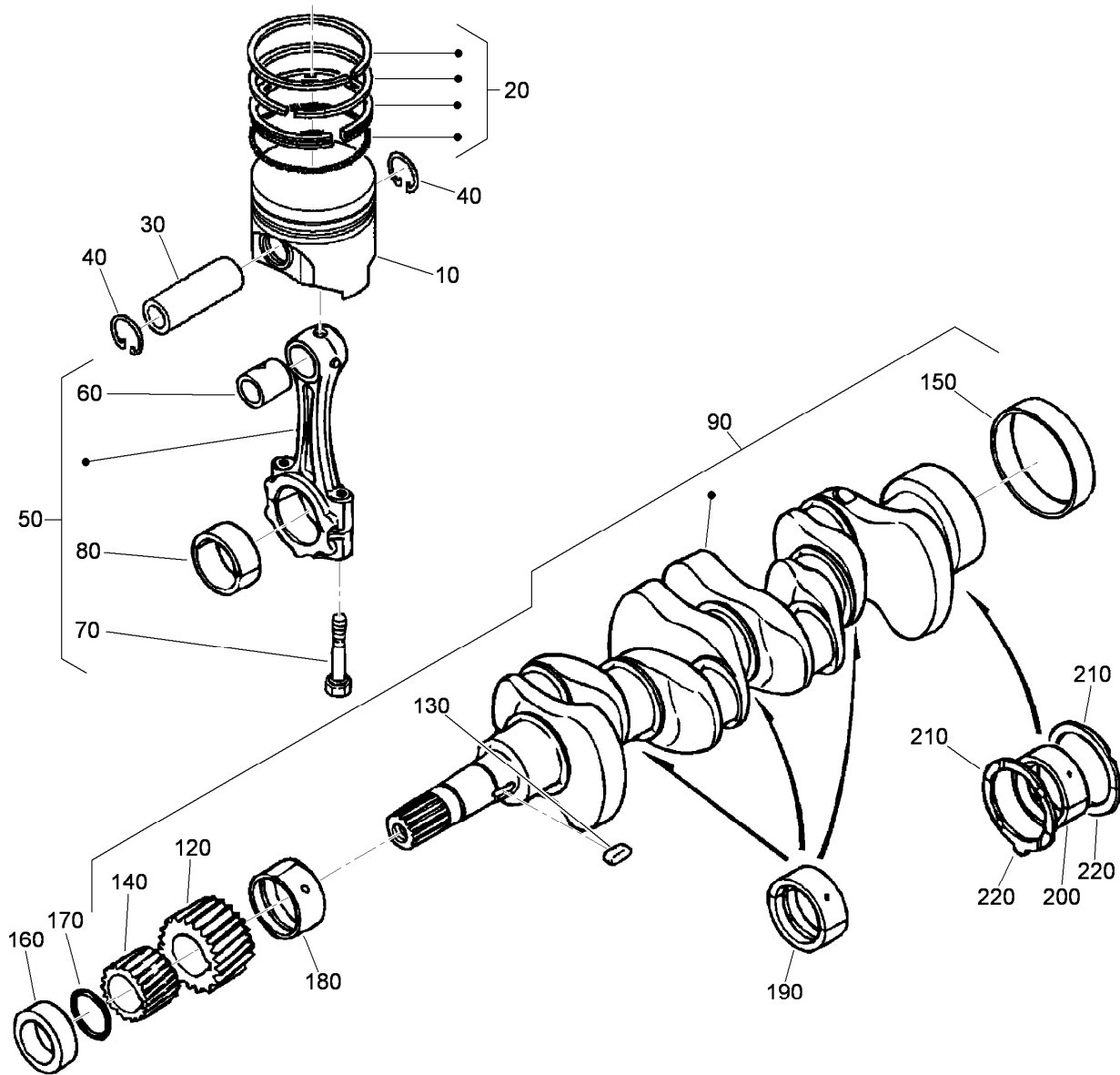
Main Bearing Case Assembly

<i>Ref.</i>	<i>Part Number</i>	<i>Qty.</i>	<i>Description</i>	<i>Ref.</i>	<i>Part Number</i>	<i>Qty.</i>	<i>Description</i>
10	112-7026	1	Wheel Bearing Case ASM	95	98-9524	1	Metal-Crankshaft (STD Set)
15	115-4121	1	Metal-Crankshaft (STD)	100	98-9484	2	Bolt-Case, Bearing
20	98-9484	2	Bolt-Case, Bearing	110	98-9485	3	Bolt-Case, Bearing
30	98-9634	1	Gasket-Case, Bearing	120	115-4107	1	Main Bearing Case ASM
40	112-7046	1	Cover-Case, Bearing	125	98-9524	1	Metal-Crankshaft (STD Set)
50	112-0180	1	Seal-Oil	130	98-9484	2	Bolt-Case, Bearing
60	112-7037	1	Gasket-Cover, Case	140	115-4108	1	Main Bearing Case ASM
70	98-9352	8	Bolt	145	98-9524	1	Metal-Crankshaft (STD Set)
80	98-7568	9	Bolt	150	98-9484	2	Bolt-Case, Bearing
90	115-4106	1	Main Bearing Case ASM				



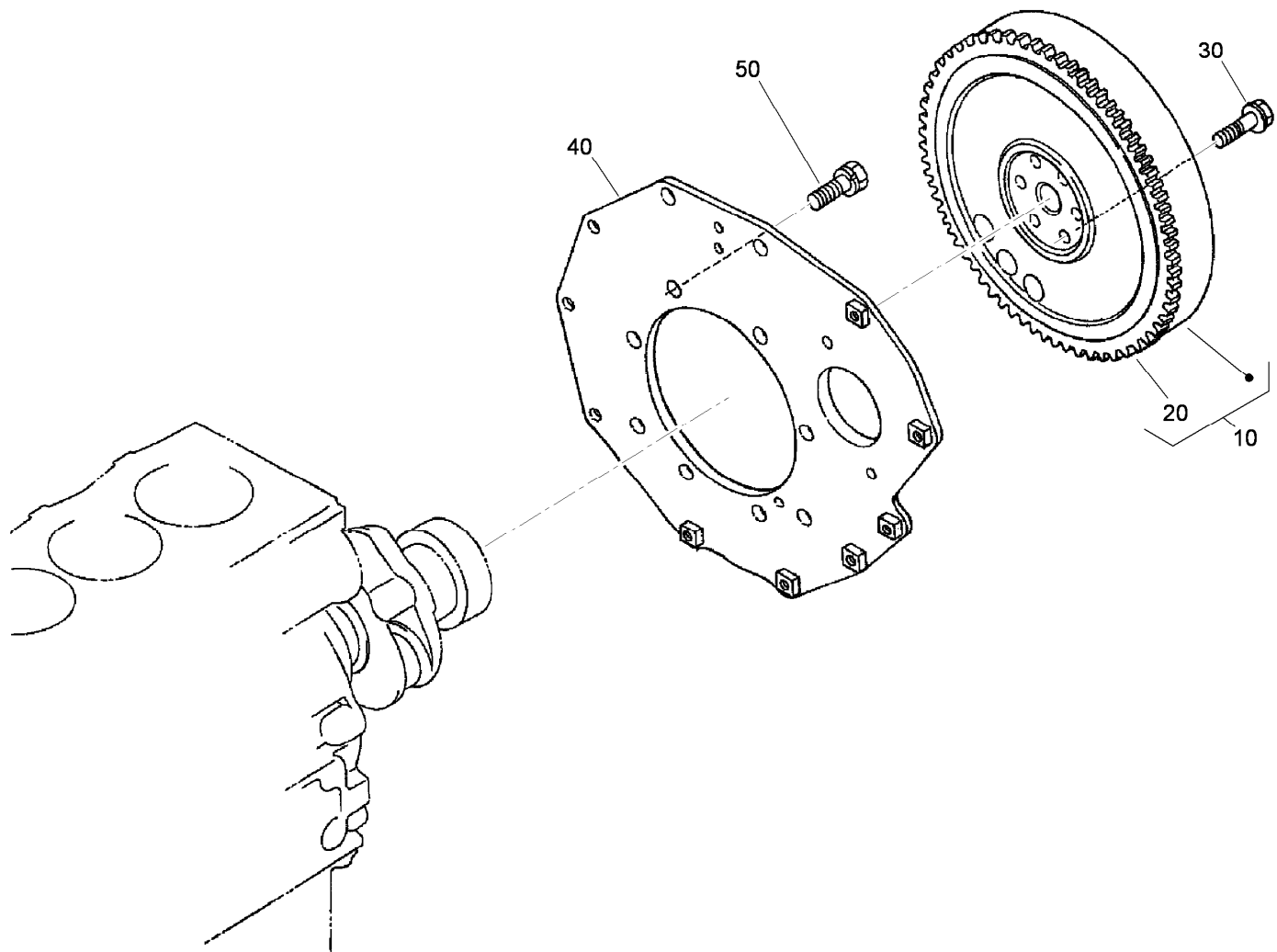
Cam Shaft and Idle Gear Assembly

Ref.	Part Number	Qty.	Description
10	112-0185	8	Tappet
20	98-9509	8	Rod-Push
30	120-3116	1	Camshaft ASM
40	110-3729	1	Ball
50	98-9512	1	Gear-Cam
60	98-9378	1	Key-Feather
70	98-9510	1	Stopper-Camshaft
80	98-7692	2	Bolt
90	117-7584	1	Idler Gear ASM
100	117-7585	1	Bushing-Gear, Idle
110	98-9535	1	Collar-Gear, Idle
120	98-9536	1	Collar-Gear, Idle
130	98-9534	1	Circlip-Gear, Idle
140	98-9533	1	Shaft-Gear, Idle
150	98-7692	3	Bolt



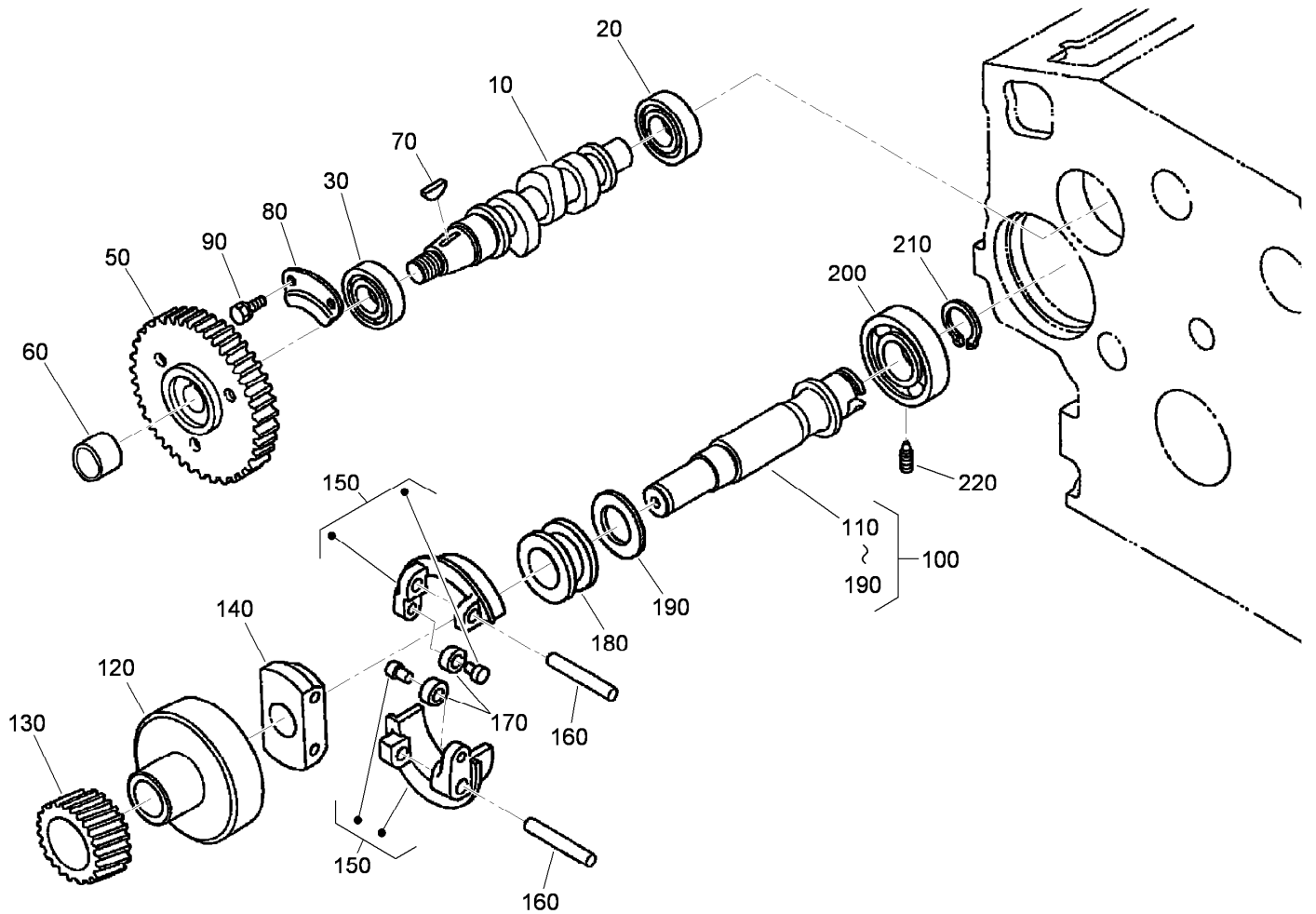
Piston and Crankshaft Assembly

<i>Ref.</i>	<i>Part Number</i>	<i>Qty.</i>	<i>Description</i>	<i>Ref.</i>	<i>Part Number</i>	<i>Qty.</i>	<i>Description</i>
10	112-8404	4	Piston (STD)	160	98-9521	1	Collar-Crankshaft
10	112-8414	4	Piston (+0.5Mm)	170	105-3783	1	O-Ring
20	98-9551	4	Piston Ring ASM (STD)	180	98-9523	1	Metal Crankshaft (STD)
20	108-1404	4	Piston Ring ASM (0.5Mm)	180	98-9528	1	Bearing-Main (-0.2Mm)
30	98-9513	4	Pin-Piston	180	98-9529	1	Bearing-Main (0.4Mm)
40	98-9514	8	Circlip-Pin, Piston	190	98-9524	3	Metal-Crankshaft (STD Set)
50	117-7586	4	Connecting Rod ASM	190	98-9530	3	Bearing-Main (0.2Mm)
60	115-3014	4	Bushing-Pin, Piston	190	98-9531	3	Bearing-Main (0.4Mm)
70	98-9517	8	Bolt-Rod, Connecting	200	115-4121	1	Metal-Crankshaft (STD)
80	98-9520	4	Bearing-Rod (0.4Mm)	200	112-7039	1	Metal-Crankshaft (0.2Mm)
80	98-9519	4	Bearing-Rod (0.2Mm)	200	112-7040	1	Metal-Crankshaft (-0.4Mm)
80	98-9518	4	Metal-Crankpin (STD)	210	98-9413	2	Bearing-Thrust (STD)
90	120-2561	1	Crankshaft ASM	210	98-9414	2	Bearing-Thrust (0.2Mm)
120	117-7561	1	Gear-Crankshaft	210	98-9415	2	Bearing-Thrust (0.4Mm)
130	98-9666	1	Key	220	98-9688	2	Bearing-Thrust (STD)
140	98-9542	1	Gear-Drive, Oil Pump	220	98-9689	2	Bearing-Thrust (0.2Mm)
150	98-9522	1	Sleeve-Crankshaft	220	98-9690	2	Bearing-Thrust (0.4Mm)



Flywheel Assembly

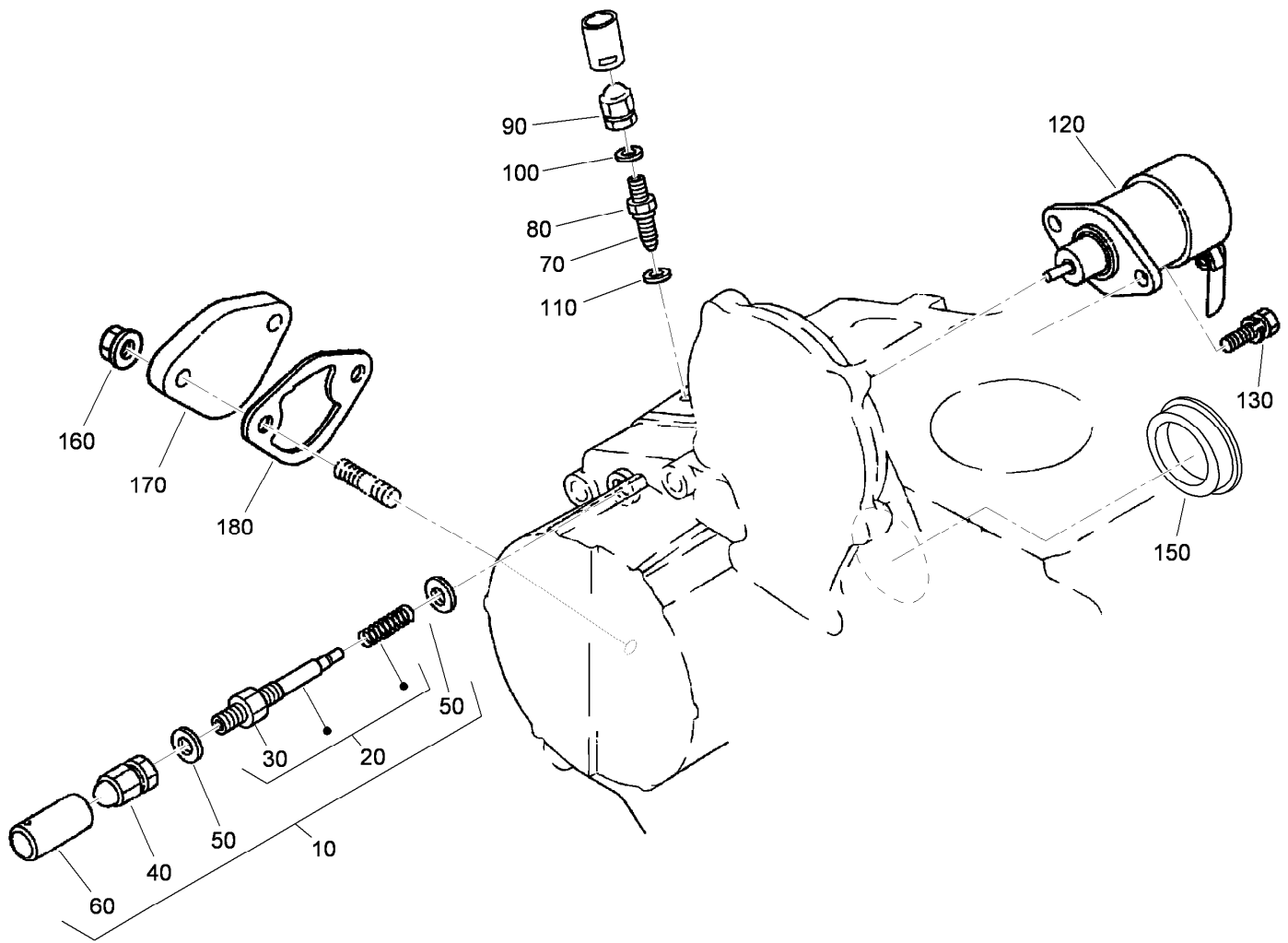
<i>Ref.</i>	<i>Part Number</i>	<i>Qty.</i>	<i>Description</i>
10	105-3721	1	Flywheel ASM
20	115-3015	1	Gear-Ring
30	98-9537	6	Bolt-Flywheel
40	98-9486	1	Plate-End, Rear
50	98-9392	8	Bolt



Fuel Camshaft and Governor Shaft Assembly

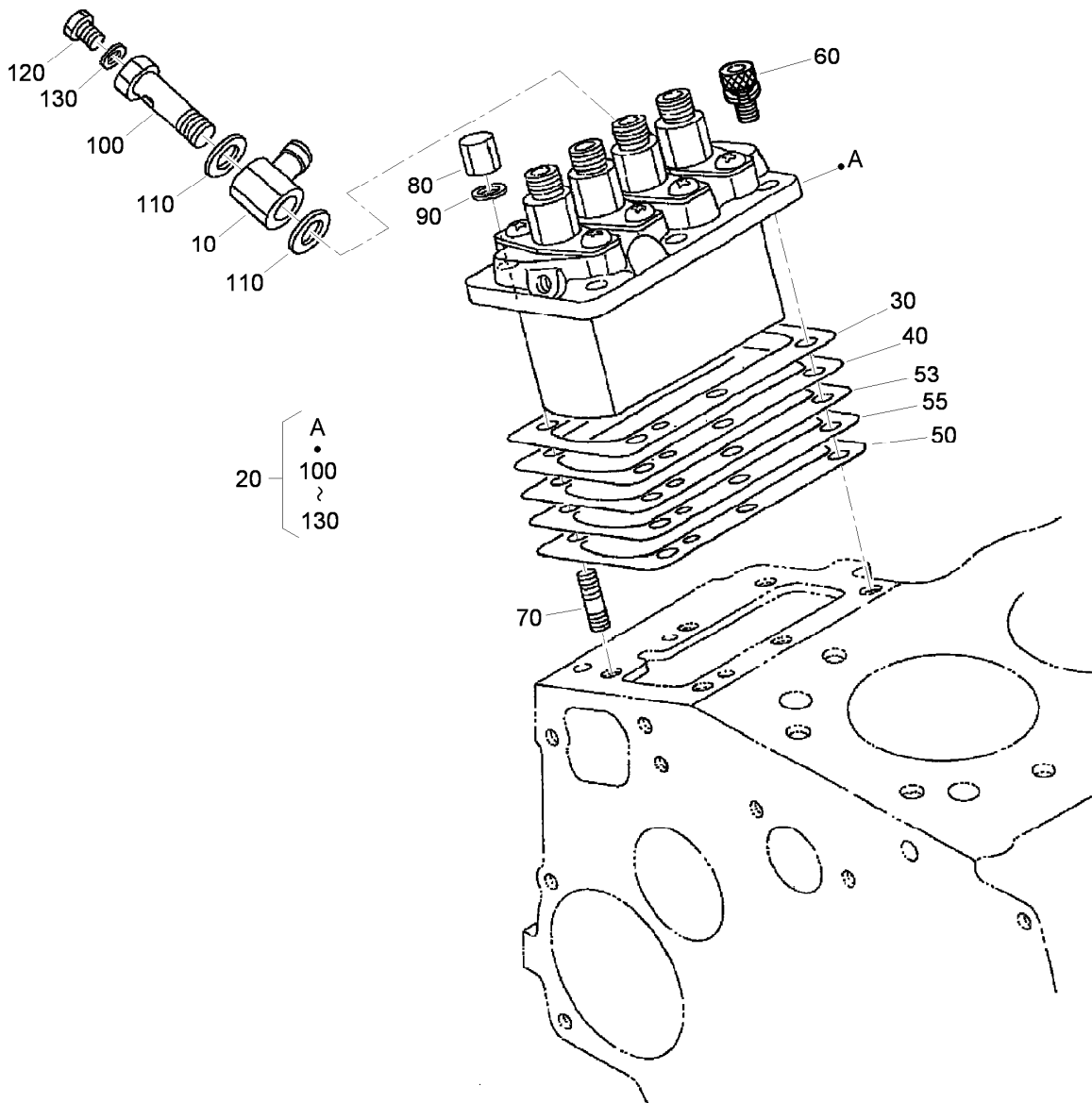
Ref.	Part Number	Qty.	Description
10	105-3723	1	Camshaft-Fuel
20	107-9077	1	Bearing-Ball
30	107-9078	1	Bearing-Ball
50	120-2562	1	Gear-Pump, Injection
60	98-9590	1	Nut-Cap
70	98-9595	1	Key-Woodruff
80	98-9511	1	Stopper-Fuel, Camshaft
90	98-7692	2	Bolt
100	105-3724	1	Governor Shaft ASM
110	105-3725	1	Shaft, Governor
120	98-9562	1	Holder-Gear, Governor

Ref.	Part Number	Qty.	Description
130	98-9673	1	Gear-Governor
140	98-9561	1	Holder-Weight, Governor
150	98-9559	2	Governor Weight ASM
160	98-9560	2	Shaft-Weight, Governor
170	98-9692	2	Roller
180	98-9563	1	Sleeve-Governor
190	98-9564	1	Washer-Thrust
200	107-9079	1	Bearing-Ball
210	98-9657	1	Circlip-Shaft, Governor
220	98-9565	1	Screw-Set



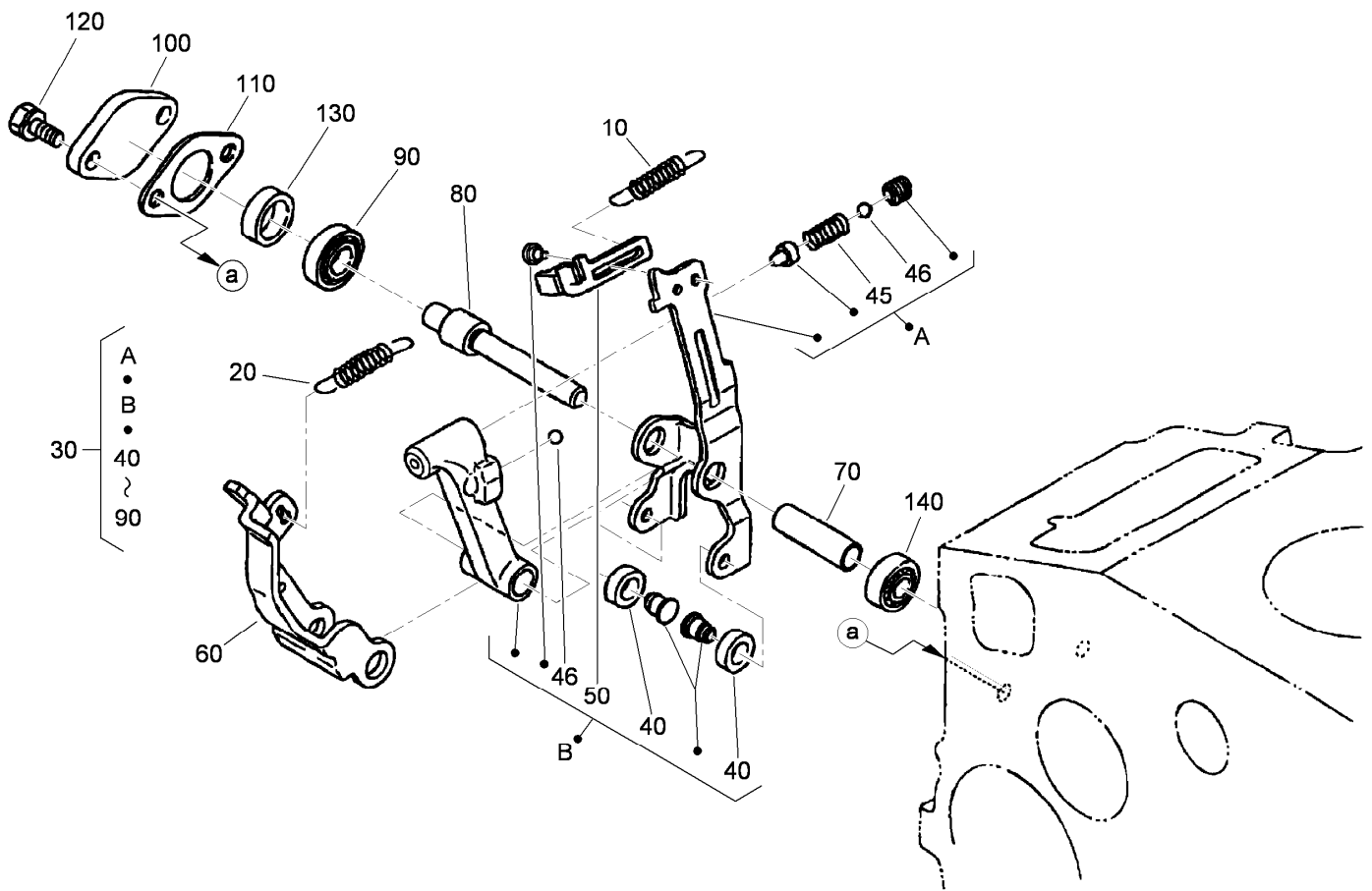
Idle Apparatus Assembly

<i>Ref.</i>	<i>Part Number</i>	<i>Qty.</i>	<i>Description</i>	<i>Ref.</i>	<i>Part Number</i>	<i>Qty.</i>	<i>Description</i>
10	98-9678	1	Idle Apparatus ASM	100	98-7654	1	Gasket
20	112-7014	1	Adjusting Bolt ASM	110	107-9081	1	Gasket
30	98-9439	1	Nut	120	104-5155	1	Solenoid-Stop
40	112-0181	1	Nut	130	115-3039	2	Bolt-HSH
50	98-7654	2	Gasket	150	112-7016	1	Cover-Pump
60	98-7656	1	Cap	160	100-2203	2	Nut-Flange
70	112-7015	1	Bolt-Adjusting	170	99-3514	1	Cover
80	100-2175	1	Nut-Lock	180	98-9636	1	Gasket-Pump, Fuel
90	112-0181	1	Nut				



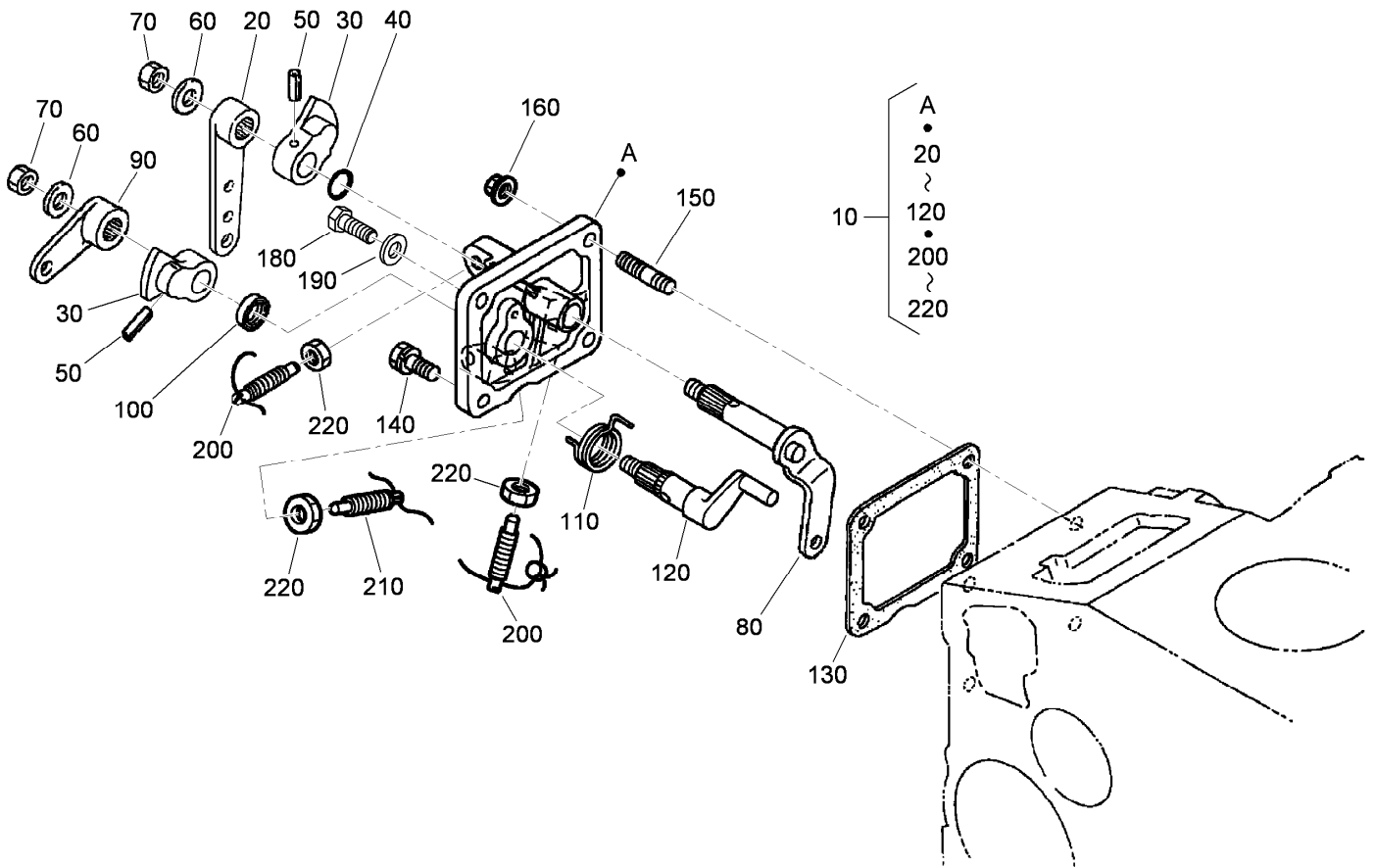
Injection Pump Assembly

Ref.	Part Number	Qty.	Description
10	98-9596	1	Joint-Eye
20	105-3727	1	Injection Pump ASM
30	105-3728	1	Shim-Pump, Injection (.20Mm)
40	105-3729	1	Shim-Pump, Injection (.25Mm)
50	105-3730	1	Shim-Pump, Injection (.30Mm)
53	115-3016	1	Shim-Pump, Injection (.350Mm)
55	115-3017	1	Shim-Pump, Injection (.175Mm)
60	117-7564	3	Bolt-Hex Soc HD
70	98-9438	3	Stud
80	98-9440	3	Nut-Cap
90	98-7699	6	Washer-Spring
100	98-9464	1	Bolt-Joint
110	98-9445	2	Gasket
120	98-9430	1	Screw
130	98-9446	1	Gasket



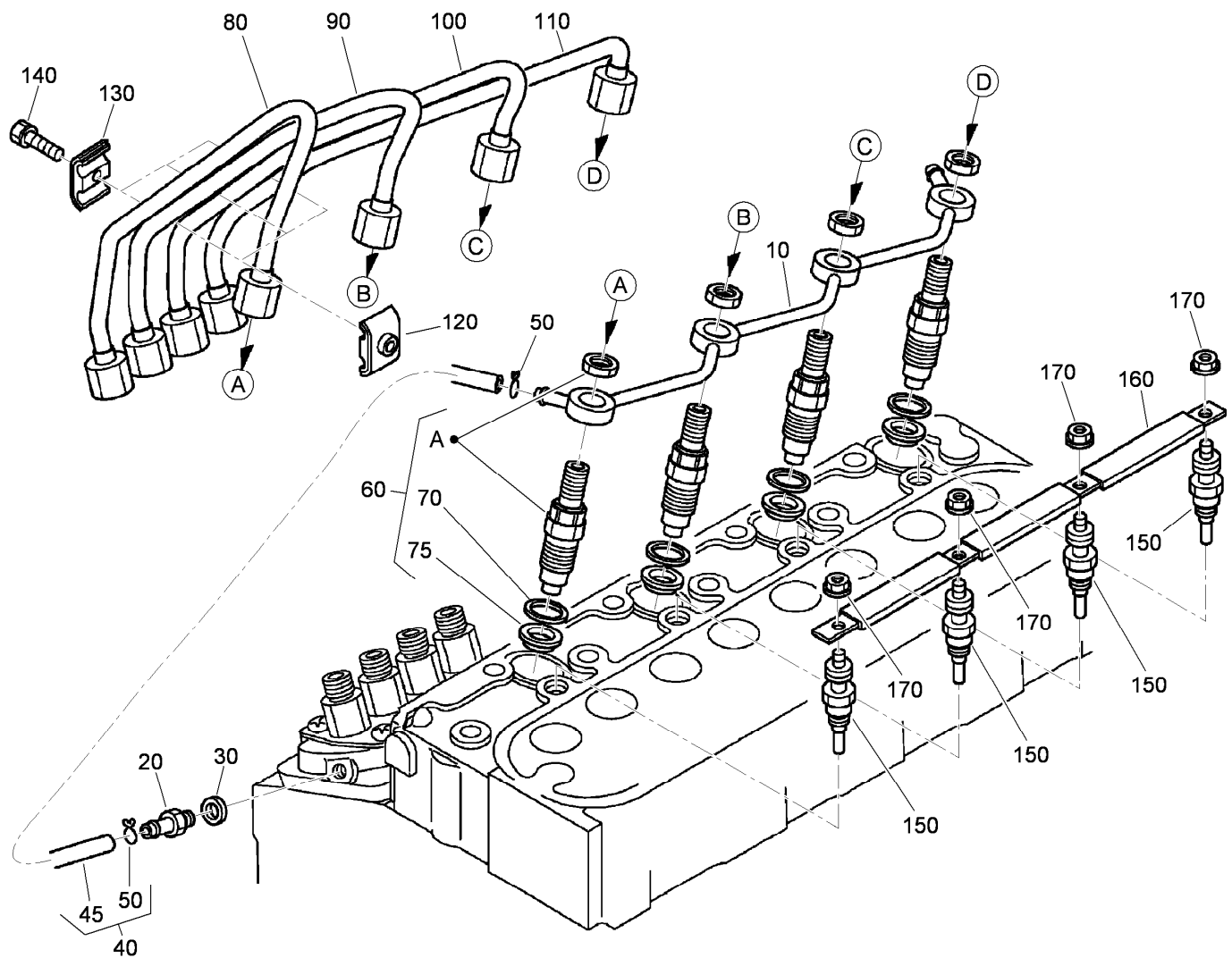
Governor Assembly

<i>Ref.</i>	<i>Part Number</i>	<i>Qty.</i>	<i>Description</i>	<i>Ref.</i>	<i>Part Number</i>	<i>Qty.</i>	<i>Description</i>
10	105-3741	1	Spring-Start	70	107-9085	1	Shaft-Lever, Fork
20	98-9681	1	Spring-Governor	80	107-9086	1	Shaft-Lever, Fork
30	115-4502	1	Fork Lever ASM	90	98-9570	1	Bearing-Miniaturize
40	98-9692	2	Roller	100	115-4122	1	Cover-Shaft, Fork Lever
45	108-2867	1	Spring	110	98-9682	1	Gasket
46	98-7580	2	Ball	120	98-9350	2	Bolt
50	107-9083	1	Lever-Thrust	130	98-9567	1	Collar
60	107-9084	1	Lever-Fork	140	98-9571	1	Bearing-Miniaturize



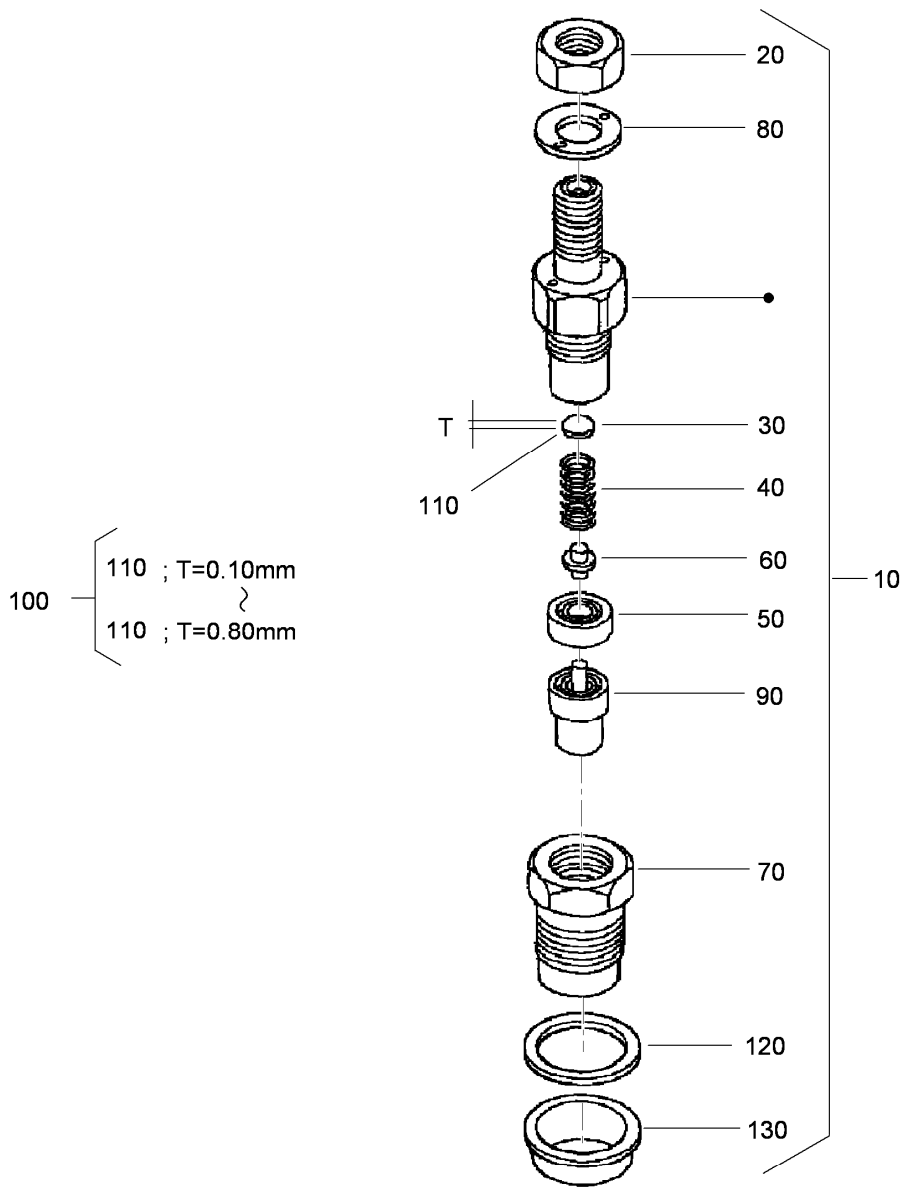
Speed Control Plate Assembly

<i>Ref.</i>	<i>Part Number</i>	<i>Qty.</i>	<i>Description</i>	<i>Ref.</i>	<i>Part Number</i>	<i>Qty.</i>	<i>Description</i>
10	105-3735	1	Control Plate ASM	120	98-9664	1	Shaft-Lever, Stop
20	98-9662	1	Lever-Control, Speed	130	98-9637	1	Gasket
30	98-9572	2	Lever-Control, Speed	140	98-7692	1	Bolt
40	105-3788	1	O-Ring	150	105-3710	1	Stud
50	98-7602	2	Pin-Spring	160	98-7572	2	Nut
60	98-9594	2	Washer-Plain	180	99-8348	2	Bolt
70	98-9589	2	Nut	190	98-7654	2	Gasket
80	98-9658	1	Governor Lever ASM	200	117-7565	2	Bolt-Adjusting
90	98-9663	1	Lever-Stop, Engine	210	117-7566	1	Bolt-Adjusting
100	98-7601	1	Seal-Oil	220	98-7572	3	Nut
110	98-9472	1	Spring-Return				



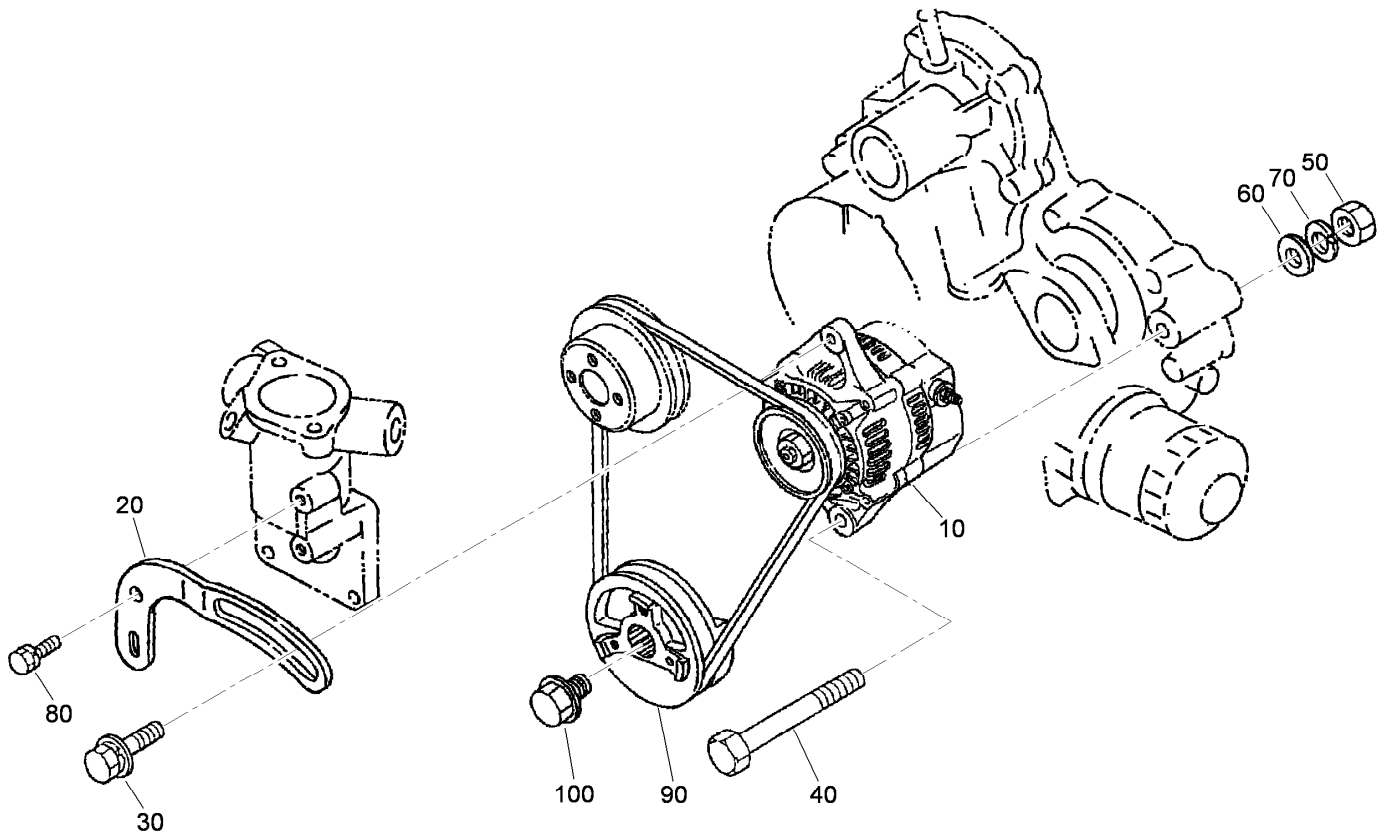
Nozzle Holder and Glow Plug Assembly

<i>Ref.</i>	<i>Part Number</i>	<i>Qty.</i>	<i>Description</i>	<i>Ref.</i>	<i>Part Number</i>	<i>Qty.</i>	<i>Description</i>
10	105-3737	1	Over Flow Pipe ASM	90	98-9654	1	Pipe-Injection
20	98-9431	1	Screw-Bleeder, Air	100	98-9655	1	Pipe-Injection
30	98-7654	1	Gasket	110	105-3738	1	Pipe-Injection
40	98-9420	1	Overflow Pipe ASM	120	98-7682	3	Clamp-Pipe
45	112-0182	1	Pipe-Overflow	130	98-7683	3	Clamp-Pipe
50	98-7671	2	Clip-Pipe	140	98-7684	3	Screw (W/Washer)
60	115-3018	4	Nozzle Holder Kit	150	115-3019	4	Plug-Glow
70	98-7676	4	Gasket	160	105-3739	1	Cord-Plug, Glow
75	98-7677	4	Seal-Heat	170	99-8377	4	Nut-Flange
80	98-9653	1	Pipe-Injection				



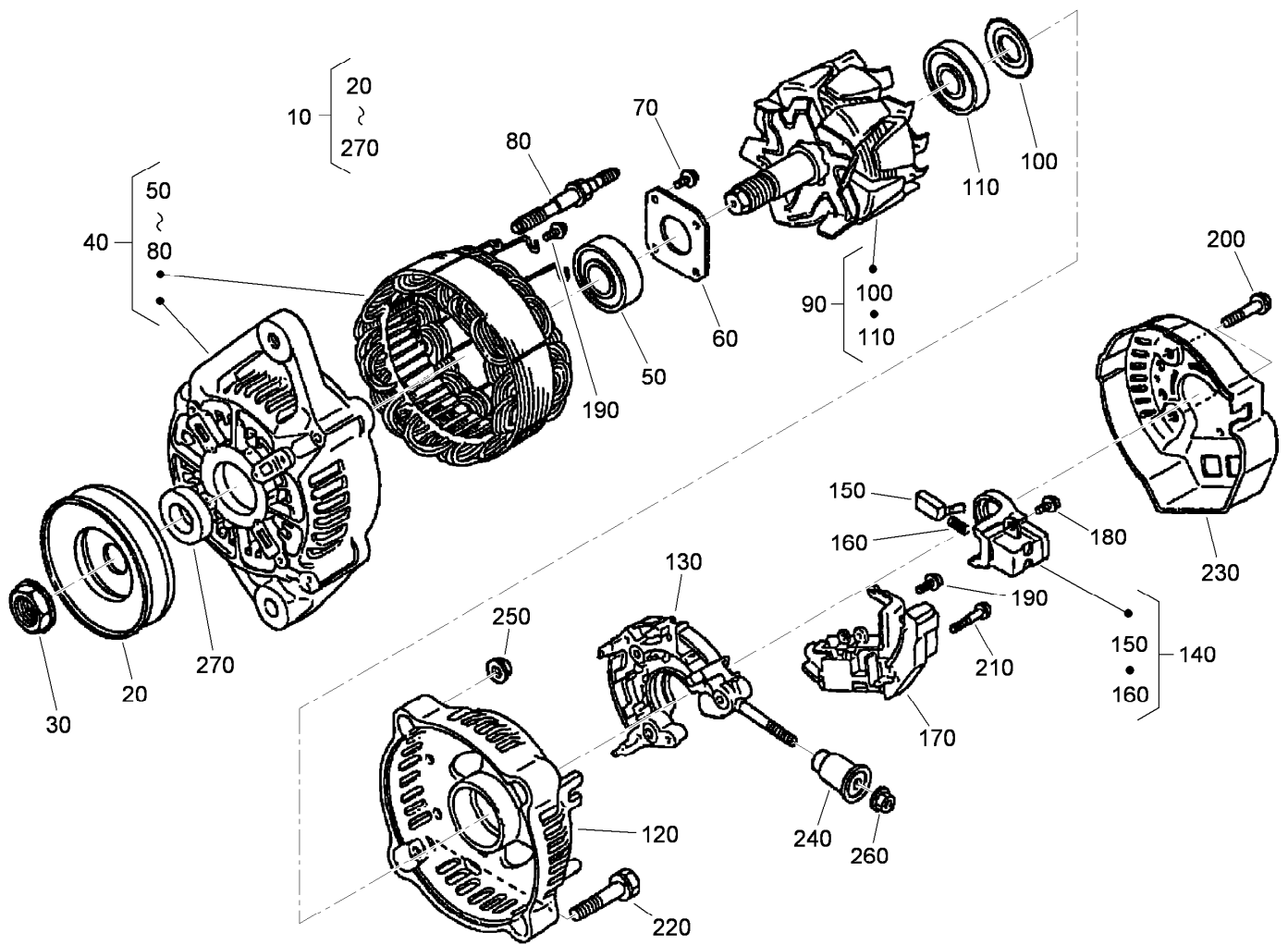
Nozzle Holder Component Assembly

Ref.	Part Number	Qty.	Description	Ref.	Part Number	Qty.	Description
10	115-3018	4	Nozzle Holder Kit	110	99-8311	4	Washer-Adjust (0.20Mm)
20	99-8301	4	Nut	110	99-8312	4	Washer-Adjust (0.30Mm)
30	99-8302	4	Washer-Adjusting	110	99-8313	4	Washer-Adjust (0.40Mm)
40	99-8303	4	Spring-Nozzle	110	99-8314	4	Washer-Adjust (0.50Mm)
50	99-8304	4	Spacer-Distance	110	99-8315	4	Washer-Adjust (0.52Mm)
60	99-8305	4	Rod-Push	110	99-8316	4	Washer-Adjust (0.54Mm)
70	99-8306	4	Nut-Nozzle	110	99-8317	4	Washer-Adjust (0.56Mm)
80	99-8307	4	Washer-Plain	110	99-8318	4	Washer-Adjust (0.58Mm)
90	115-3020	4	Piece-Nozzle	110	99-8319	4	Washer-Adjust (0.80Mm)
100	99-8309	4	Adjusting Washer ASM	120	98-7676	4	Gasket
110	99-8310	4	Washer-Adjust (0.10Mm)	130	98-7677	4	Seal-Heat



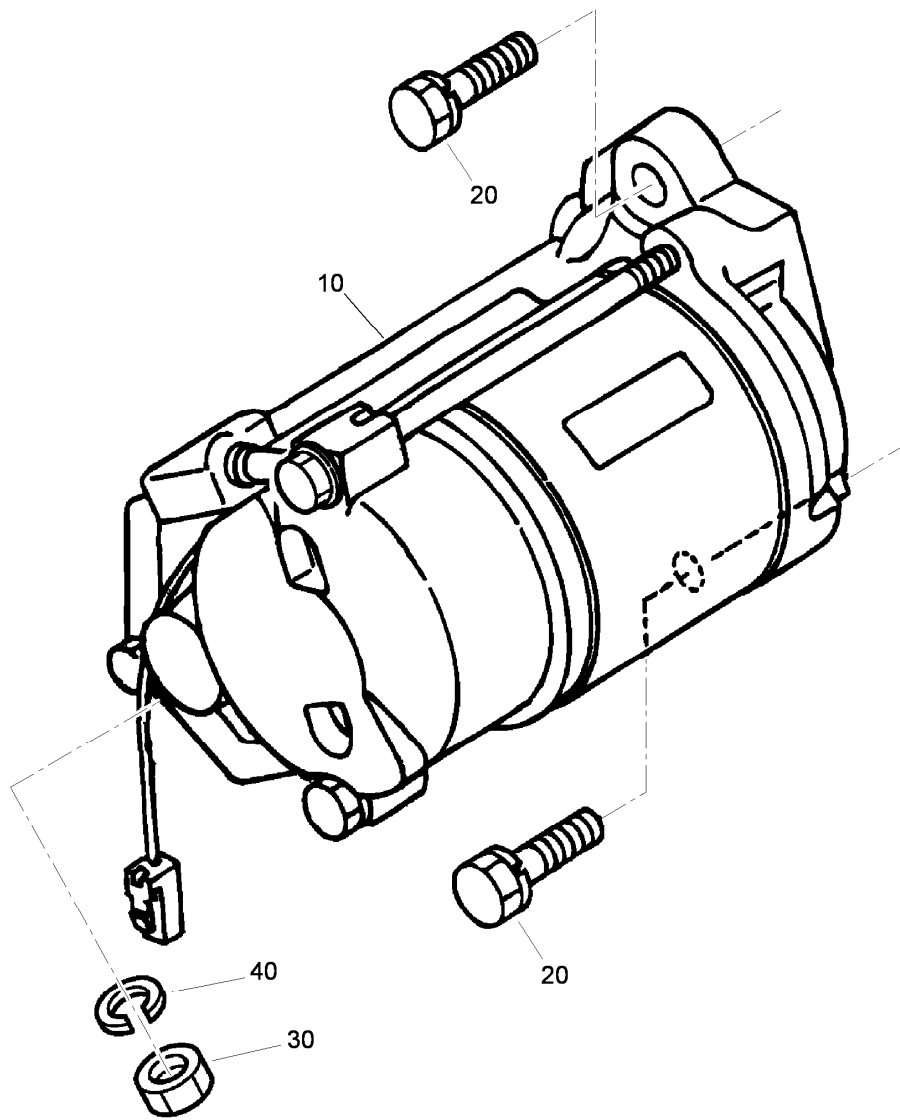
Alternator and Pulley Assembly

Ref.	Part Number	Qty.	Description
10	117-5541	1	Alternator ASM
20	117-5542	1	Bracket
30	108-7088	1	Bolt
40	98-9360	1	Bolt
50	98-7737	1	Nut
60	98-7696	1	Washer-Plain
70	98-7738	1	Washer-Spring
80	98-7692	1	Bolt
90	105-3745	1	Pulley-Drive, Fan
100	98-9585	1	Bolt



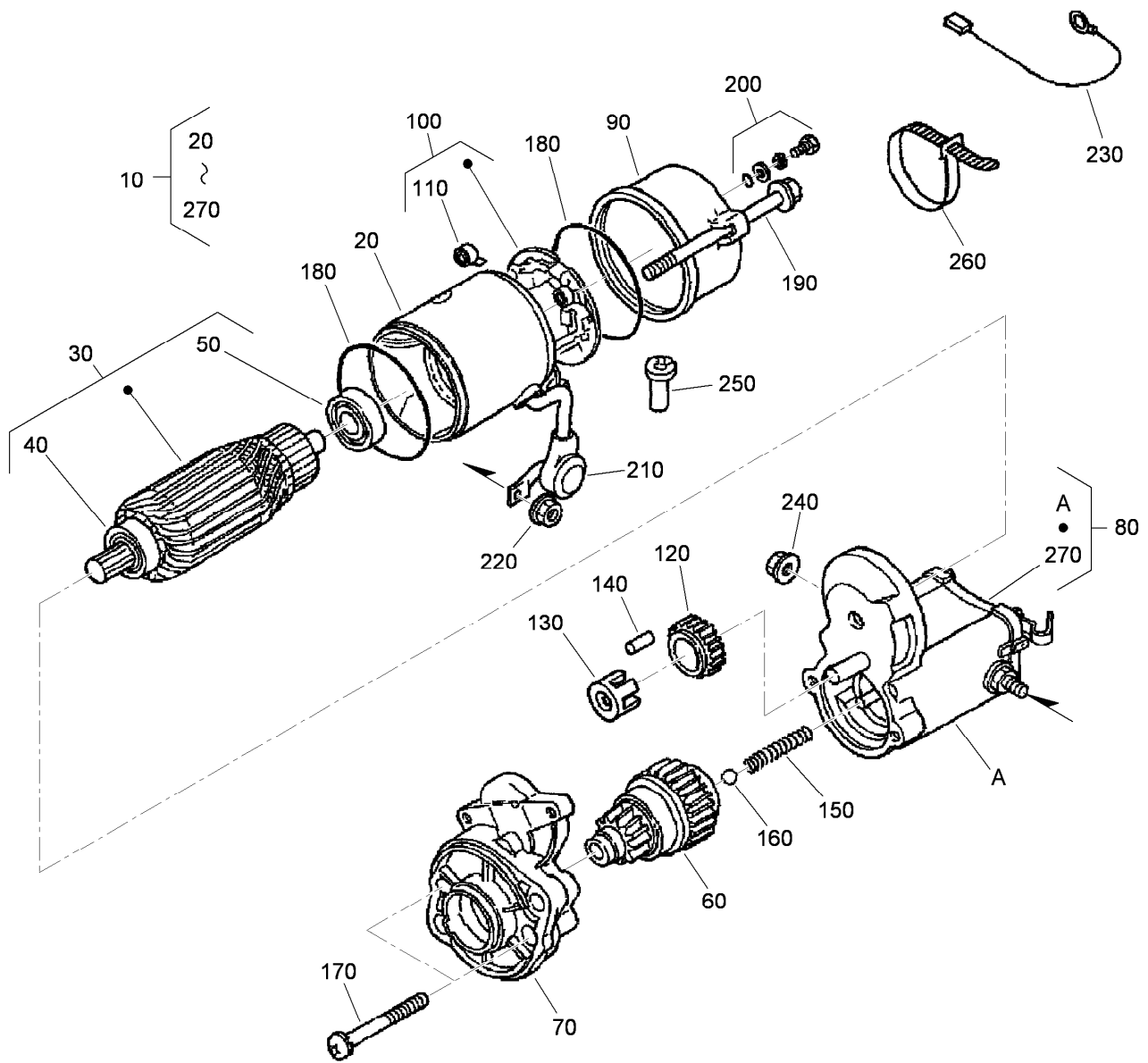
Alternator Components

Ref.	Part Number	Qty.	Description	Ref.	Part Number	Qty.	Description
10	117-5541	1	Alternator ASM	150	98-7724	2	Brush
20	98-9453	1	Pulley-Dynamo	160	98-7725	2	Spring-Brush
30	98-7708	1	Nut	170	117-0319	1	Regulator ASM
40	117-0316	1	Drive End Frame ASM	180	98-7728	1	Screw-Head, Round
50	107-0137	1	Bearing-Ball	190	98-7727	6	Screw-Head, Round
60	98-7715	1	Plate-Retainer	200	98-7729	3	Bolt
70	98-7716	4	Screw-Head, Round	210	98-7726	2	Screw-Head, Round
80	98-7717	2	Bolt-Through	220	98-7731	2	Bolt
90	117-0317	1	Rotor ASM	230	117-0320	1	Cover-End
100	98-7711	1	Cover-Bearing	240	117-0321	1	Insulation-Brush
110	107-0138	1	Bearing-Ball	250	98-7730	2	Nut
120	117-0318	1	Frame-End	260	98-7732	1	Nut
130	117-0322	1	Holder	270	98-7709	1	Collar
140	107-0141	1	Brush Holder ASM				



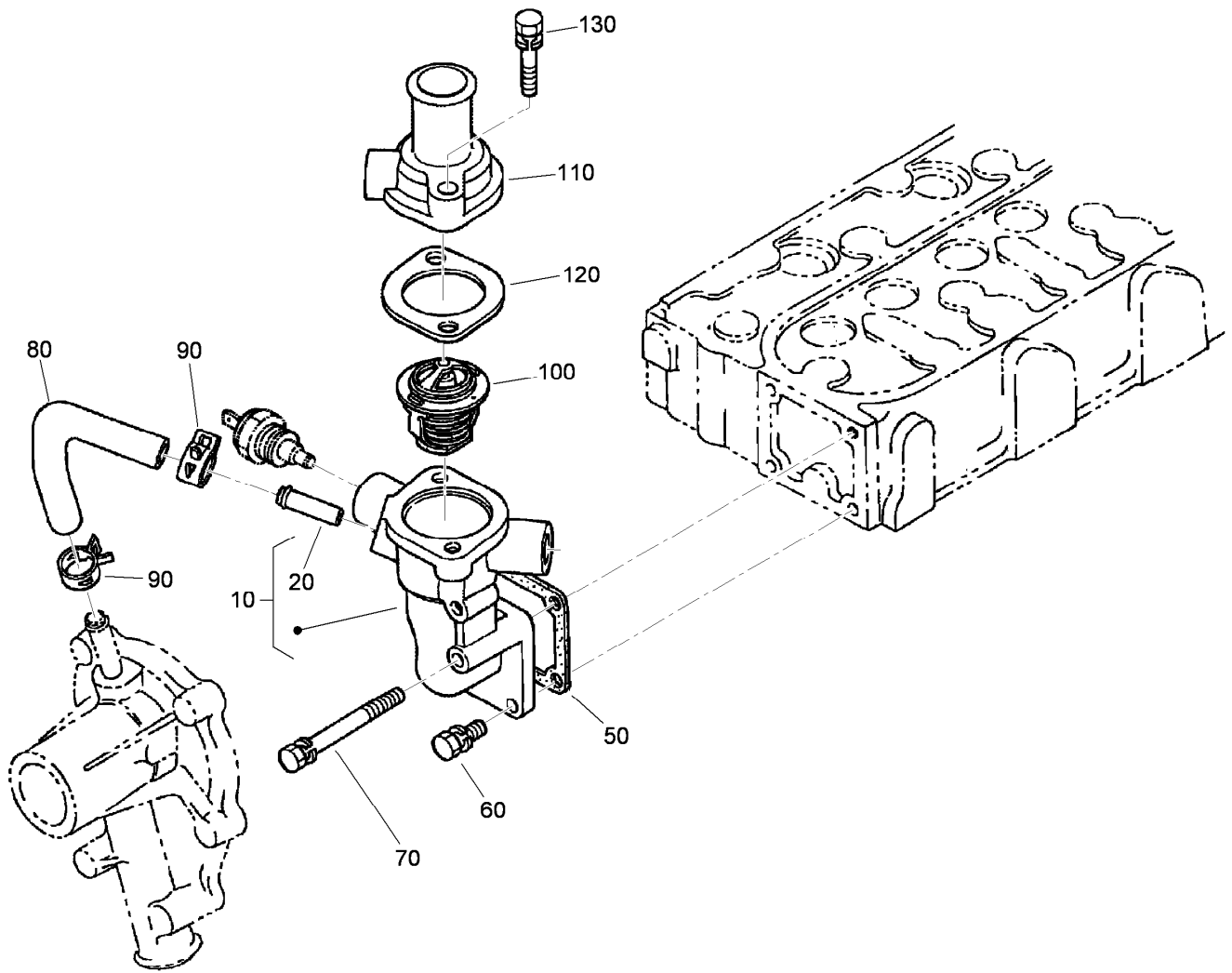
Starter Assembly

<i>Ref.</i>	<i>Part Number</i>	<i>Qty.</i>	<i>Description</i>
10	98-9705	1	Starter ASM
20	98-7697	2	Bolt
30	98-7739	1	Nut
40	105-2893	1	Washer-Spring



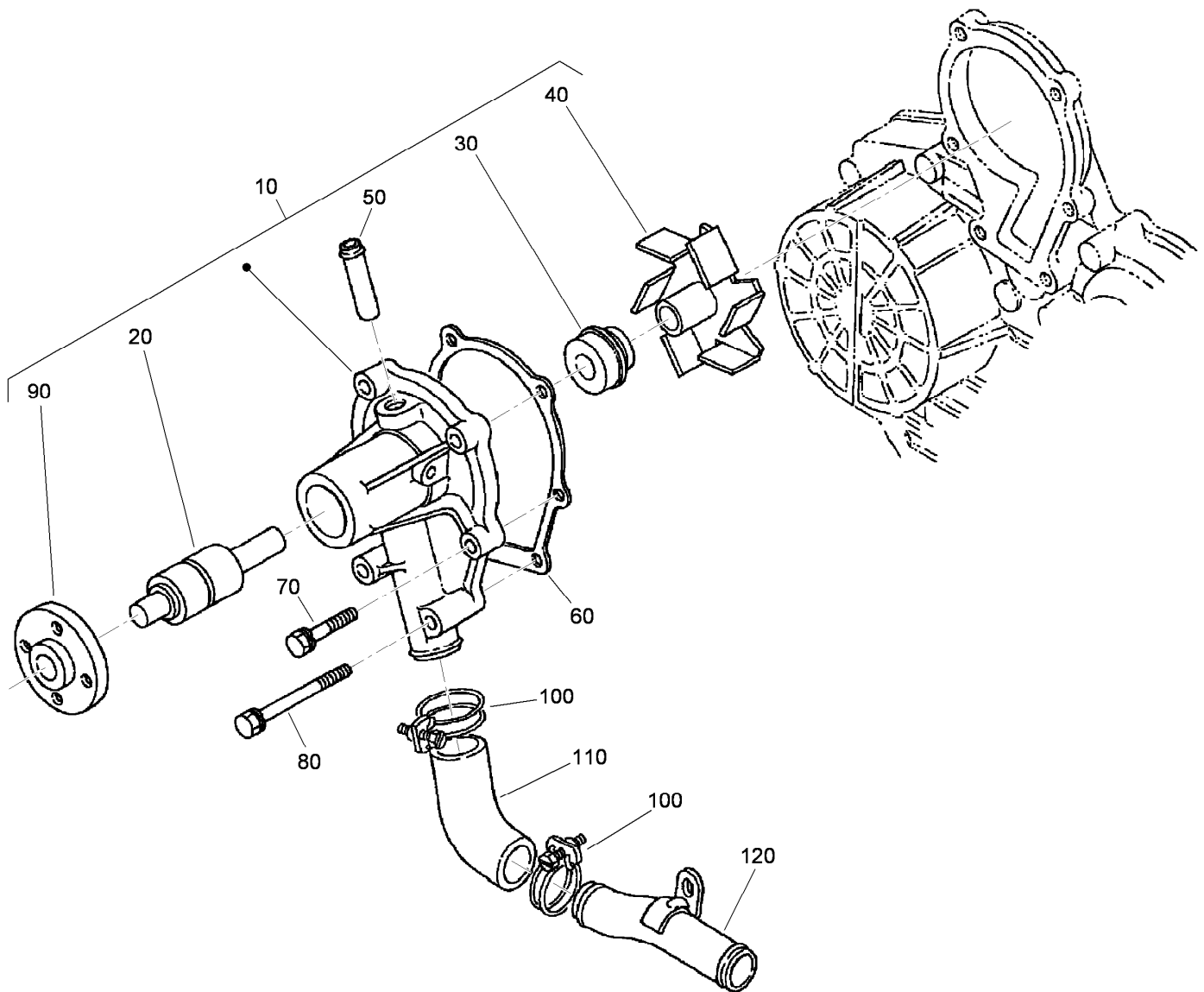
Starter (Component Part) Assembly

Ref.	Part Number	Qty.	Description	Ref.	Part Number	Qty.	Description
10	98-9705	1	Starter ASM	150	98-7754	1	Spring
20	104-8608	1	Yoke ASM	160	98-7755	1	Ball
30	98-7742	1	Armature ASM	170	98-7756	2	Bolt
40	98-7744	1	Bearing	180	98-7757	2	O-Ring
50	98-7743	1	Bearing	190	100-9240	2	Bolt
60	99-8373	1	Clutch-Running, Over	200	98-7758	2	Bolt ASM
70	99-8374	1	Frame-End, Drive	210	99-8375	1	Cover
80	105-3746	1	Magnetic Switch ASM	220	99-8371	1	Nut-Hex
90	98-7748	1	Frame-End	230	98-9711	1	Cord-Solenoid, Stop
100	98-7749	1	Brush Holder ASM	240	99-8376	1	Nut-Hex
110	98-7750	4	Spring-Brush	250	98-7759	1	Pipe-Drain
120	98-7751	1	Gear	260	98-9712	1	Band-Cover
130	98-7752	1	Retainer	270	105-2886	1	Cover ASM
140	98-7753	5	Roller				



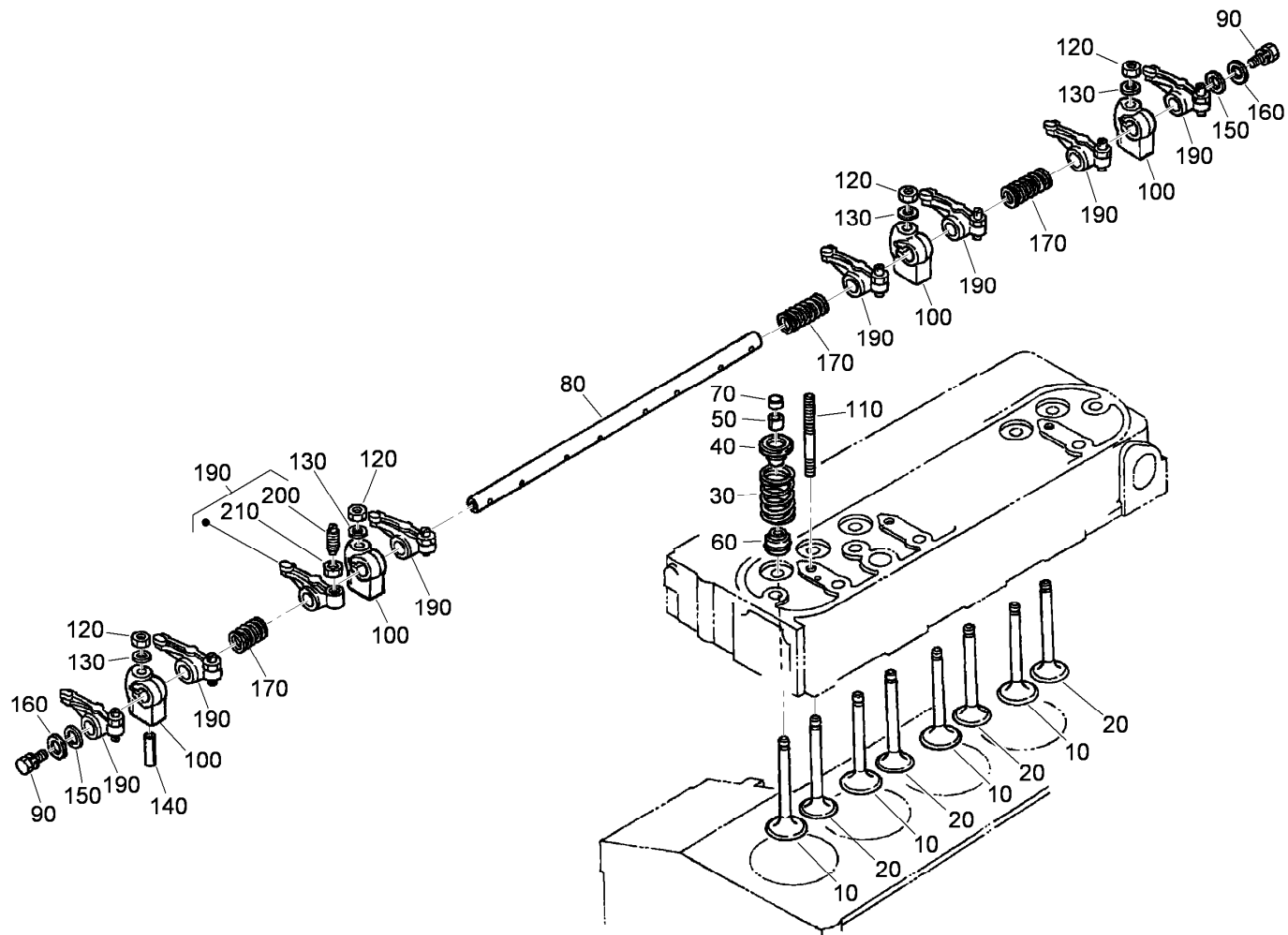
Water Flange Assembly

Ref.	Part Number	Qty.	Description
10	98-9713	1	Water Flange ASM
20	98-9580	1	Pipe-Return, Water
50	98-9638	1	Gasket-Flange, Water
60	98-7692	3	Bolt
70	98-9356	1	Bolt
80	98-9578	1	Pipe-Return, Water
90	98-9579	2	Band-Pipe
100	98-7778	1	Thermostat ASM
110	98-9471	1	Cover-Thermostat
120	105-3748	1	Gasket-Thermostat
130	98-7777	2	Bolt



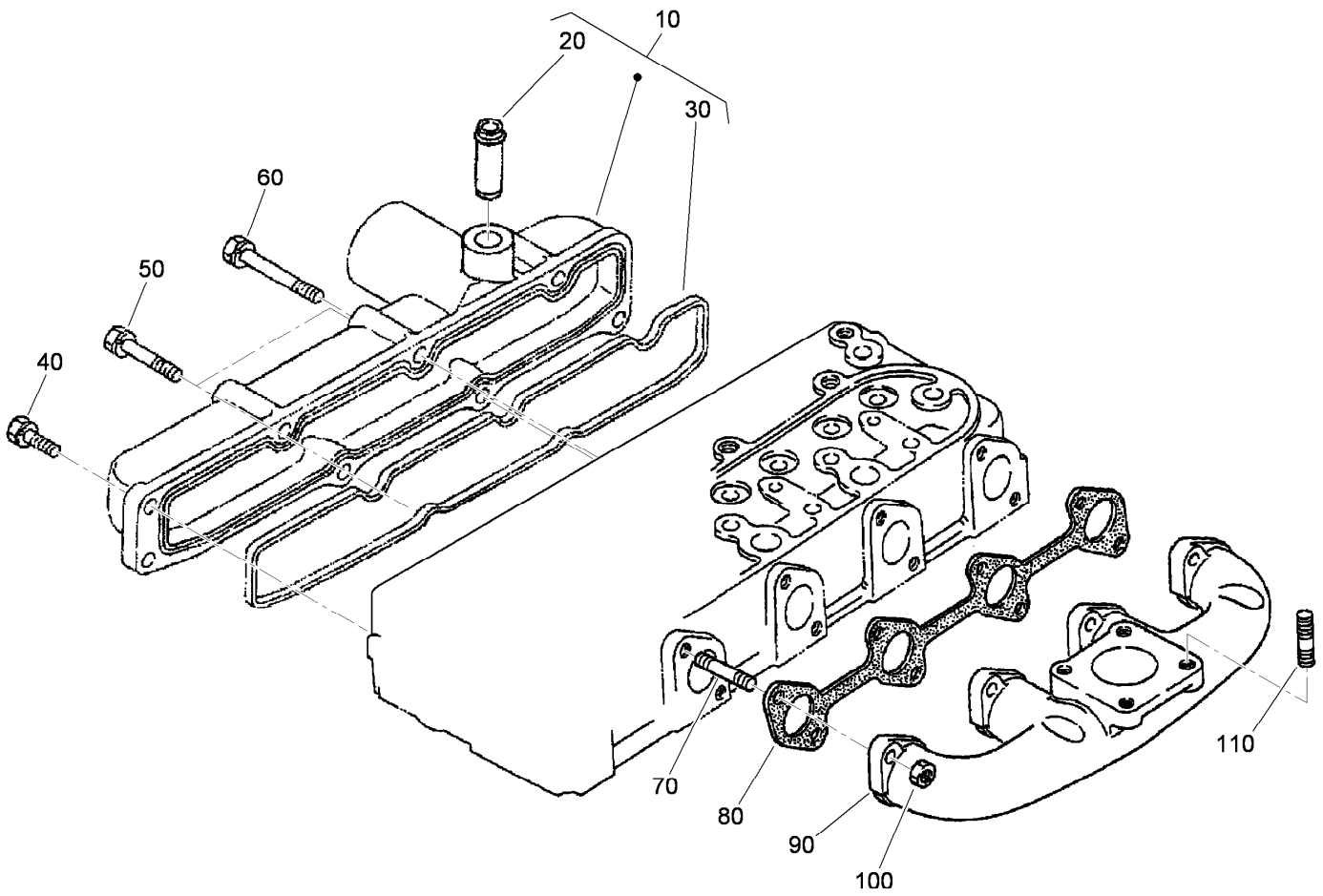
Water Pump Assembly

Ref.	Part Number	Qty.	Description
10	107-9089	1	Water Pump ASM
20	99-3517	1	Bearing-Pump, Water
30	105-3750	1	Mechanical Seal ASM
40	112-7017	1	Impeller-Pump, Water
50	100-1932	1	Pipe-Return, Water
60	99-3454	1	Gasket-Pump, Water
70	98-9353	4	Bolt
80	107-9090	2	Bolt
90	99-3516	1	Flange-Pump, Water
100	98-9717	2	Clamp
110	107-9091	1	Pipe-Water
120	98-9716	1	Pipe-Water



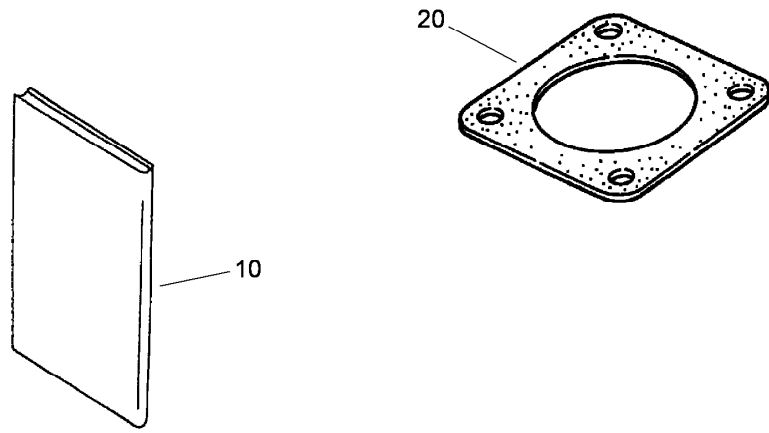
Valve and Rocker Arm Assembly

<i>Ref.</i>	<i>Part Number</i>	<i>Qty.</i>	<i>Description</i>	<i>Ref.</i>	<i>Part Number</i>	<i>Qty.</i>	<i>Description</i>
10	120-2563	4	Valve-Inlet	110	98-9506	4	Stud
20	120-2564	4	Valve-Exhaust	120	98-9393	4	Nut
30	98-9648	8	Spring-Valve	130	98-9385	4	Washer-Flat
40	107-9092	8	Retainer-Spring	140	105-3758	1	Pin-Spring
50	117-7572	8	Collet-Spring, Valve	150	98-9507	2	Washer-Shaft, Rocker Arm
60	99-8385	8	Seal-Stem, Valve	160	110-3832	2	Washer-Plain
70	98-9497	8	Cap-Valve	170	98-9504	2	Spring-Arm, Rocker
80	105-3790	1	R-Arm Shaft ASM	190	112-7020	8	Rocker Arm ASM
90	100-9265	2	Bolt	200	98-9502	8	Screw-Adjusting
100	98-9505	4	Bracket-Arm, Rocker	210	98-9503	8	Nut



Intake and Exhaust Manifold Assembly

<i>Ref.</i>	<i>Part Number</i>	<i>Qty.</i>	<i>Description</i>
10	108-2874	1	Intake Manifold ASM
20	98-9492	1	Joint-Pipe, Breather
30	105-3760	1	Gasket-Manifold, Intake
40	98-7605	3	Bolt
50	98-9353	2	Bolt
60	105-3797	3	Bolt
70	98-9588	8	Stud
80	105-3765	1	Gasket-Manifold, Exhaust
90	112-0187	1	Manifold-Exhaust
100	98-9665	8	Nut
110	98-7769	4	Stud



Muffler Gasket and Operator Manual

<i>Ref.</i>	<i>Part Number</i>	<i>Qty.</i>	<i>Description</i>
10	117-8836	1	Manual-Operator, Kubota
20	99-8343	1	Gasket-Muffler

Attachments and Accessories

For 31230 Groundsmaster 360 2-Wheel Drive Multi-Purpose Machine

Product Name	Model/Part
Blade-Belt Kit, 72in Side Discharge Deck	105-7272
Green Diesel Cap	107-2172
Premium Transmission/Hydraulic Tractor Fluid (55 Gallon Drum).....	108-1183
Premium Transmission/Hydraulic Tractor Fluid (5 Gallon Pail)	108-1184
Leaf Mulching Kit	108-5273
Blade-Rotary, Medium Flow (24.5in).....	110-0621-03
Blade-Rotary, Atomic (24.5in).....	110-0624-03
5in Air Cleaner Safety Element.....	114-4057
Slow Moving Vehicle Sign Kit.....	115-0014
Electrical Accessory Kit	115-0019
Hourmeter, Wireless Hourmeter System	115-4754
Spark Arrestor	117-3281
Atomic Blade Kit (3 Blade Pack)	119-8020
Beacon Kit	120-0256
Vinyl Backrest Extension Kit	120-0583
Registration Plate Kit	120-6678
Premium Engine Oil 15w40 (55 Gallon Drum)	121-6394
Premium Engine Oil 15w40 (5 Gallon Pail)	121-6395
400-hour Filter Maintenance Kit.....	30052
MVP Filter Kit.....	30261
72in Base Deck.....	30353
72in Side Discharge Mower (CE).....	30354
Hardtop Sunshade.....	30359
72in Side Discharge Deck.....	30481
Differential Lock (2 Wheel Drive)	30508
Grammer Seat with Air Ride Suspension.....	30511
Road Homologation Light Kit, Non-Cab Unit (Europe)	30512
Road Light Kit, Non Cab Unit (North America)	30513
Speed Reduction Kit.....	30547
Jack Stand Kit.....	30579
CE Kit, 72in Side Deck With French Guards	30679
100in Rear Discharge Deck	31101
Locking Latch	98-9315



Count on it.