



Count on it.

Parts Catalog

Groundsmaster® 360
4-Wheel Drive Multi-Purpose Machine

Model No. 31200—Serial No. 315000001 and Up

Model No. 31200A—Serial No. 315000001 and Up



Ordering Replacement Parts

To order replacement parts, please supply the part number, the quantity, and the description of each part desired.

Understanding Reference Numbers

Each identified part in an illustration has a reference number. The reference number for a part also appears in the parts list, along with other information about the part.

This catalog uses two special reference number formats, one to indicate parts in a service assembly and another to indicate the quantity of a given part in an illustration.

Service Assembly Reference Numbers

Parts in service assemblies have reference numbers in the form a:b. The a represents the reference number of the entire service assembly and the b represents a sequential number unique to each part within the service assembly.

For example, a wheel assembly might be identified by reference number 6, the tire by 6:1, the valve by 6:2, and the wheel by 6:3. When you order the assembly identified by reference number 6, you receive all parts identified by reference numbers 6:1, 6:2, and 6:3. However, you may also order any part individually. Reference numbers of this type appear in illustration and in parts lists.

Reference Numbers Indicating Quantity

In an illustration, if a reference number indicates more than one part, the reference number has the form nX y. The n represents the quantity of the part, the X is the multiplication symbol, and the y represents the reference number.

For example, in an illustration, the reference number 2X 37 means that two of the parts identified by reference number 37 are indicated.

List of Abbreviations

AR: as required

ASM: assembly

BBC: blade brake control

BHTF: button head thread forming

CARR: carriage

CCW: counter clockwise

CW: clockwise

DEG: degrees

DPA: Dual Point Adjustment

ECM: electronic control module

EXT: external

FH: flat head

GA: gauge

HD: heavy-duty

HF: hex flange

HH: hex head

HHF: hex head flange

HHFTF: hex head flange thread forming

HJ: hex jam

HLH: hex lag head

HOC: height-of-cut

HP: high pressure

HSBH: hex socket button head

HSFH: hex socket flat head

HSH: hex socket head

HWH: hex washer head

HWHTF: hex washer head thread forming

HYD: hydraulic

LH: left hand

LP: low pressure

LPG: Liquefied Petroleum Gas

NI: nylon insert

NPTF: national pipe thread fine

PFH: phillips flat head

PPH: phillips pan head

PPHTF: phillips pan head thread forming

PRH: phillips round head

PTH: phillips truss head

PTO: power-take-off

RH: right hand

ROPS: roll-over protection system

RRB: rear roller brush

SFH: slotted fillister head

SHH: slotted hex head

SHWH: slotted hex washer head

SPH: slotted pan head

SQH: square head

SRH: slotted round head

STD: standard

TAP: self tapping

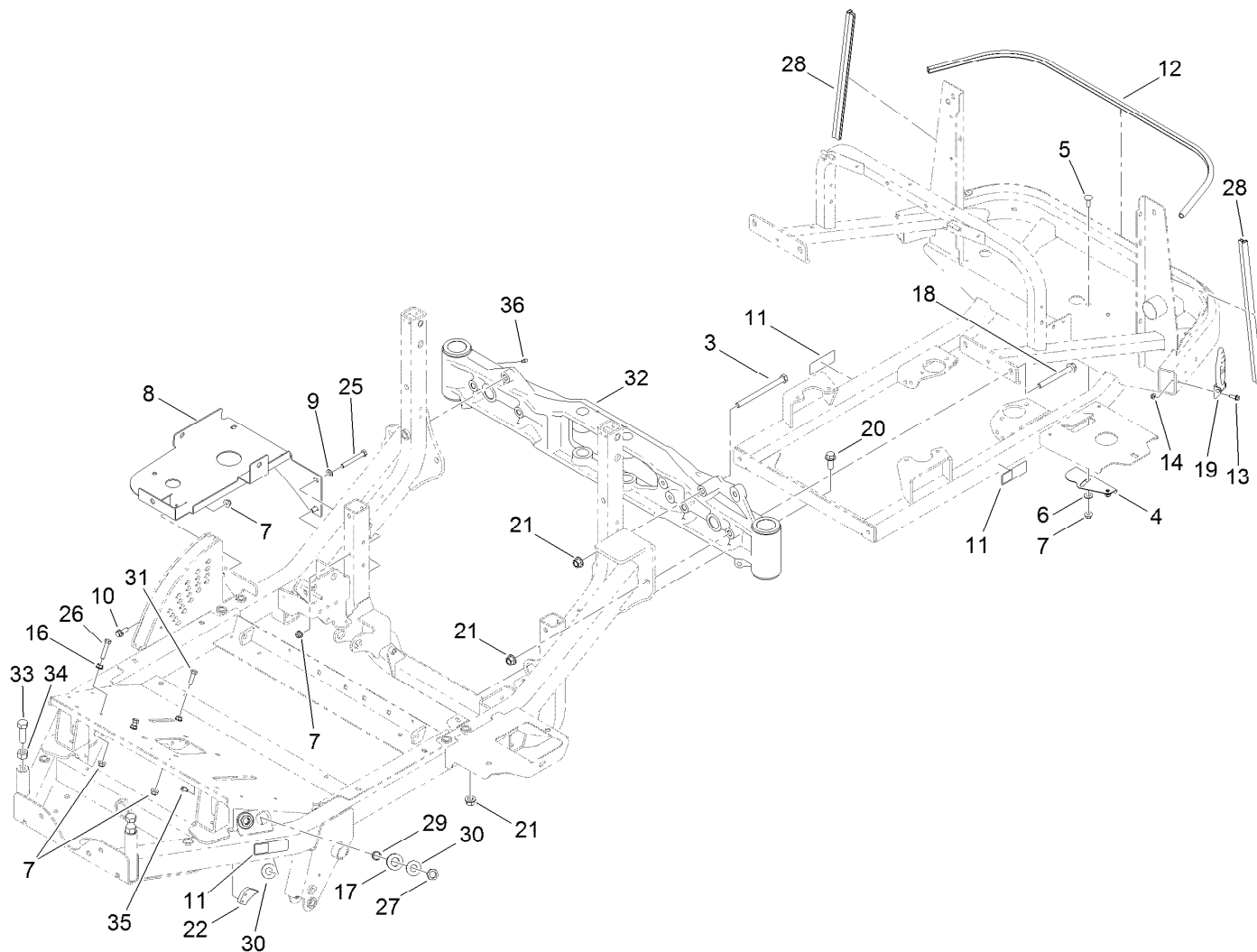
TTH: torx truss head

Contents

Frame and Rear Axle Assembly	5
Lift Shaft and Linkage Assembly	6
Hydraulic Cylinder Assembly No. 110-9834	7
Platform and Roll-Over Protection System Assembly	8
Rear Frame Components Assembly	9
Front Axle and Tie Rod Assembly	10
Rear Steering Assembly	12
Hydraulic Cylinder Assembly No. 125-2835	14
4 Wheel Drive Steering Assembly	15
Front Cover Assembly	16
Steering Column Assembly	17
Steering Column Assembly No. 117-3371	18
Steering Valve Assembly No. 130-7948	19
Fuel Tank and Control Panel Component Assembly	20
Fuel Tank Assembly No. 131-1920	21
Seat Plate Assembly	22
Seat Assembly	23
Seat Assembly No. 107-2286	24
Seat Platform Assembly	25
4 Wheel Drive Module Control and Relay Assembly	26
Brake Pedal Assembly	27
Wheel and Brake Assembly	28
Left Hand Brake Assembly No. 120-0235	29
Right Hand Brake Assembly No. 120-0233	30
4 Wheel Drive Hydraulic Motor and Fitting Assembly	31
Hydraulic Motor Assembly No. 117-3284 (CCW)	32
Hydraulic Motor Assembly No. 117-3285 (CW)	33
Electrical Assembly	34
Engine Assembly	35
Transmission Component Assembly	36
Charge Pump Housing Assembly Transmission Assembly No. 120-9140	37
Center Section Assembly Transmission Assembly No. 120-9140	38
Gear Case and Clutch Assembly Transmission Assembly No. 120-9140	39
Driveshaft Assembly No. 110-3575	40
Radiator Component Assembly	41
Radiator and Cooler Assembly	42
Muffler Assembly	43
Battery and Fuel Delivery Assembly	44
Air Cleaner Assembly	45
Traction Pedal Assembly	46
Hood Assembly	47
Neutral System Assembly	48
4 Wheel Drive Hydraulic Hose Assembly	50
Deck Lift Valve and Hydraulic Fitting Assembly	52
Hydraulic Gear Pump Assembly No. 115-0375	54
Valve Assembly No. 131-1934	55
Hydraulic Valve Assembly	56
Steering Selector Valve Assembly No. 115-0280	57
Cross-Trax Traction Valve Assembly No. 117-2247	58
Steering and Traction Hose Assembly	59
Cylinder Block Assembly	60
Gear Housing Assembly	61
Cylinder Head and Cover Assembly	62
Diesel Particulate Filter Assembly	64

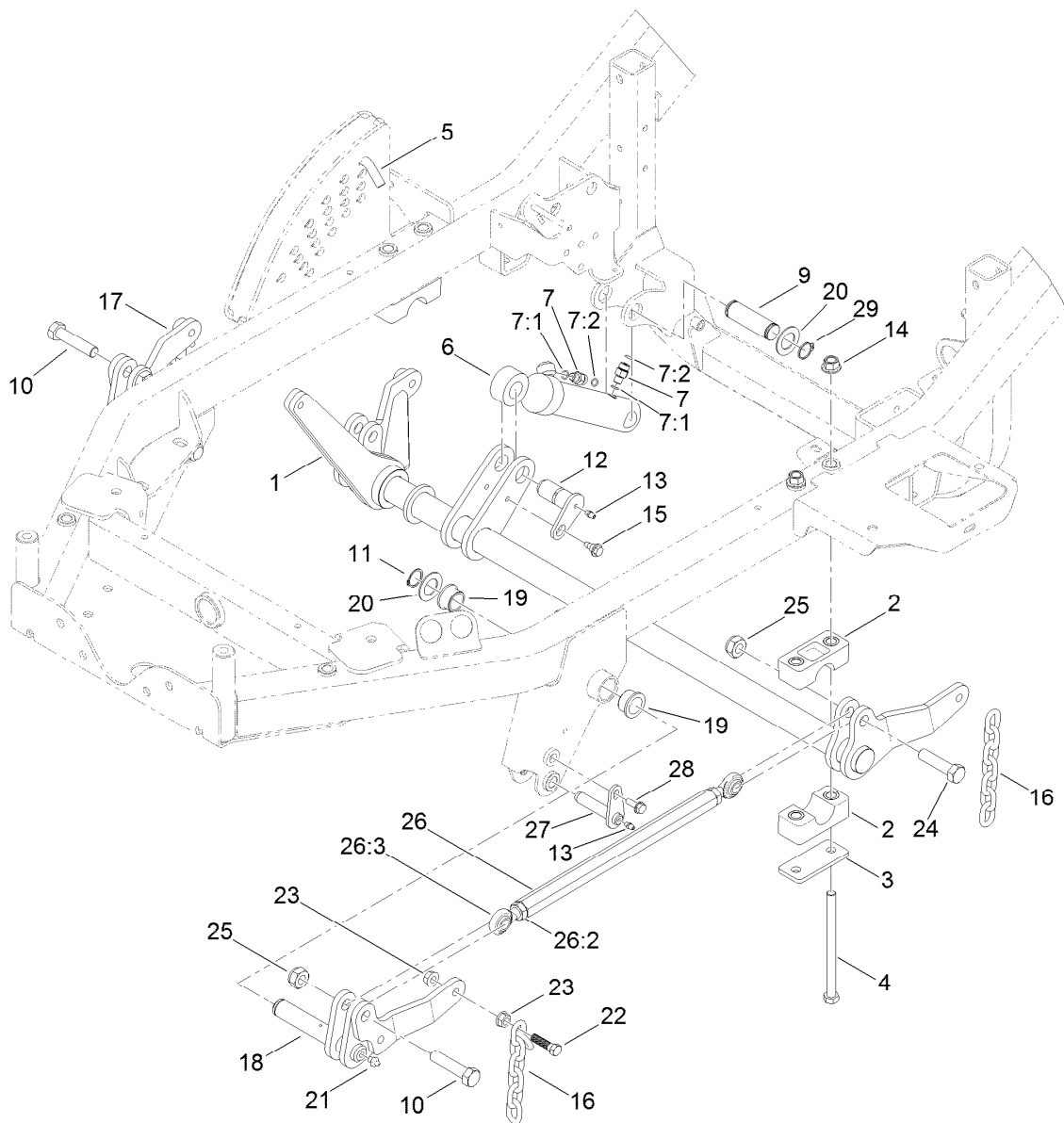
Contents (continued)

Flywheel Housing and Oil Sump Assembly	66
Suction Manifold Assembly	67
Exhaust Manifold Assembly	68
Camshaft and Driving Gear Assembly	69
Crankshaft and Piston Assembly	70
Lubrication and Oil System Assembly	71
Fuel System Assembly	72
Fuel Injection Valve Assembly	73
Fuel Pipe Assembly	74
Starting Motor Assembly	75
Generator Assembly	76
Electric Parts Assembly	77
Cooling Water System Assembly	78
Gasket Set	80
Electronic Control Unit Assembly	82
Attachments and Accessories	83



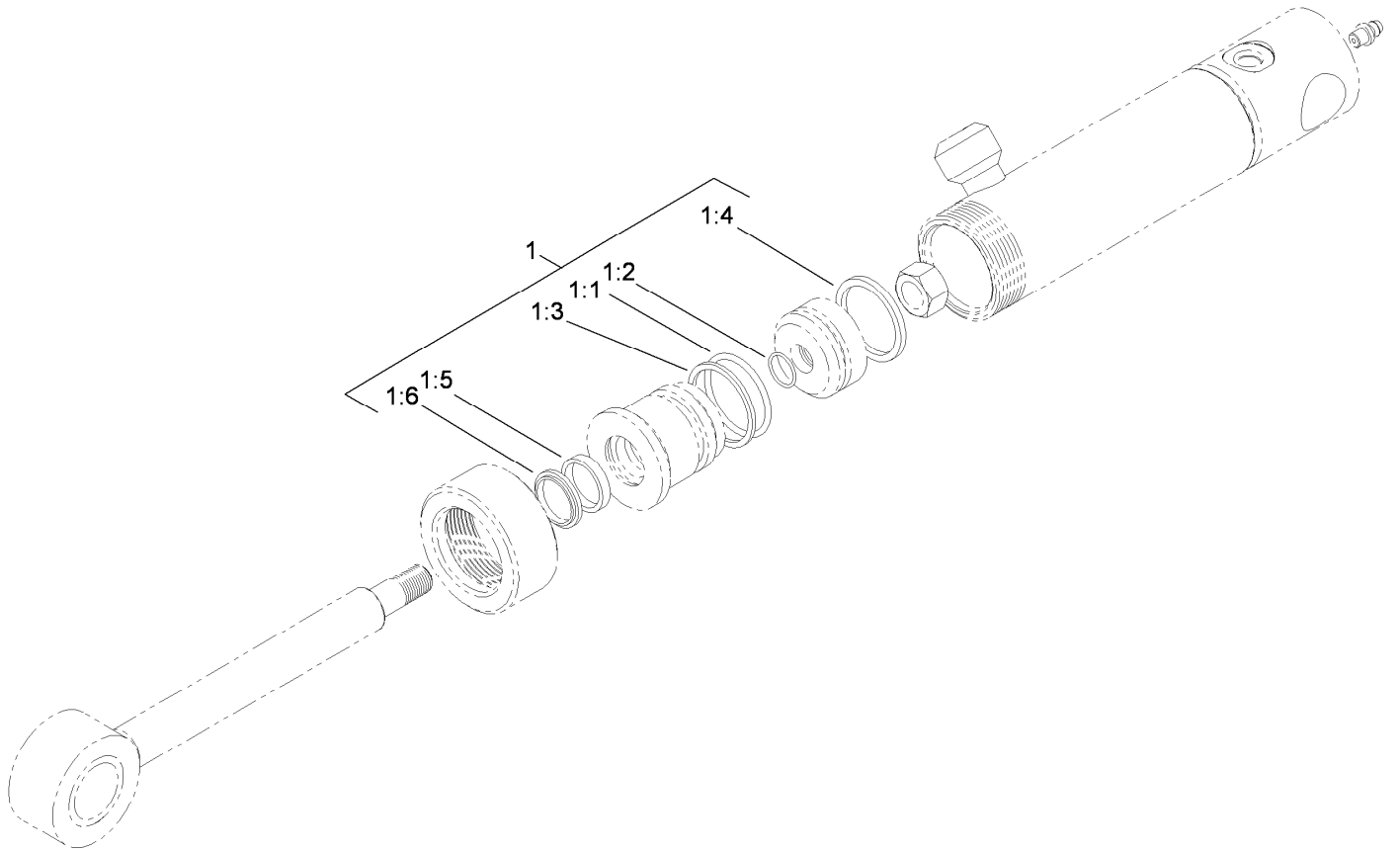
Frame and Rear Axle Assembly

Ref.	Part Number	Qty.	Description	Ref.	Part Number	Qty.	Description
3	325-33	1	Screw-HH	20	3234-38	3	Screw-HHF
4	117-3190	1	Cover-Lower	21	99-5107	9	Nut-Lock
5	3231-22	2	Screw-CARR	22	99-7214	1	Pawl-Brake
6	66-2920	2	Washer-Friction	25	323-14	2	Screw-HH
7	104-8301	8	Nut-Flange, NI	26	323-53	2	Screw-HH
8	117-3385-03	1	Bracket-Tank, HYD	27	340-70	2	Nut-Lock
9	3256-24	2	Washer-Flat	28	107-2269	2	Seal-Bulb
10	3234-24	1	Screw-HHF	29	69-8970	2	Spacer
11	106-9206	4	Decal-Torque, Wheel	30	69-8940	4	Washer
12	117-3311	1	Seal-Bulb	31	323-7	1	Screw-HH
13	3234-4	2	Screw-HHF	32	125-4370	1	Rear Axle ASM
14	104-7201	2	Nut-Flange, NI	33	327-6	2	Screw-HH
16	3290-357	3	Nut-HHF, Whiz	34	3217-11	2	Nut-Hex
17	240-4	2	Grommet-Rubber	35	3234-13	2	Screw-HHF
18	117-3176	4	Screw-HHF	36	302-5	2	Fitting-Grease
19	103-2898	2	Latch-Rubber				



Lift Shaft and Linkage Assembly

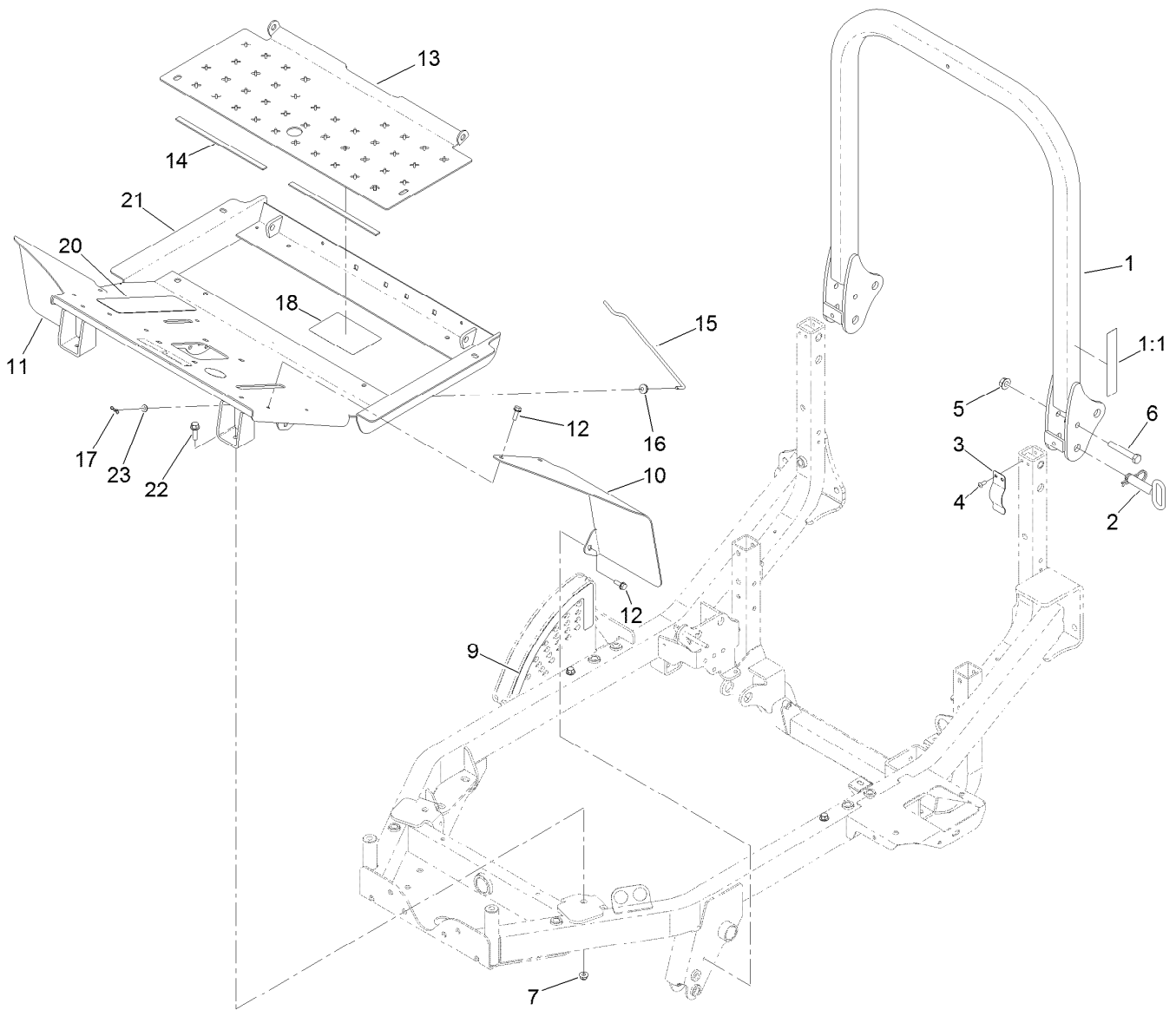
Ref.	Part Number	Qty.	Description	Ref.	Part Number	Qty.	Description
1	115-0190-03	1	Shaft-Lift	16	119-1385	4	Chain-HOC
2	115-0491	4	Cap-Bearing	17	119-1380-03	1	Lift-RH
3	117-2903	2	Plate-Bearing	18	119-1383-03	1	Lift-LH
4	325-37	4	Screw-HH	19	114-5680	4	Bushing-Flange
5	112-9544	1	Pin-HOC	20	69-9010	4	Washer
6	110-9834	1	HYD Cylinder ASM	21	302-2	2	Fitting-Grease
7	340-92	2	Fitting-HYD, Straight	22	103-1898	4	Screw-HH
7:1	237-78	1	O-Ring	23	32128-37	8	Nut-HF
7:2	237-21	1	O-Ring	24	327-7	2	Screw-HH
9	115-0183	1	Shaft-Cylinder, Lift	25	3296-61	4	Nut-Lock
10	327-8	2	Screw-HH	26	114-4059	2	Link ASM
11	32151-29	2	Ring-Retaining	26:2	3220-6	2	Nut-Jam
12	125-1910	1	Pin-Pivot	26:3	1-633029	2	Balljoint-Spherical
13	302-5	3	Fitting-Grease	27	112-1602	2	Pin-Retainer
14	99-5107	4	Nut-Lock	28	32144-41	2	Screw-Taptite
15	99-5105	1	Bolt-Shoulder	29	32151-36	2	Ring-Retaining



Hydraulic Cylinder Assembly No. 110-9834

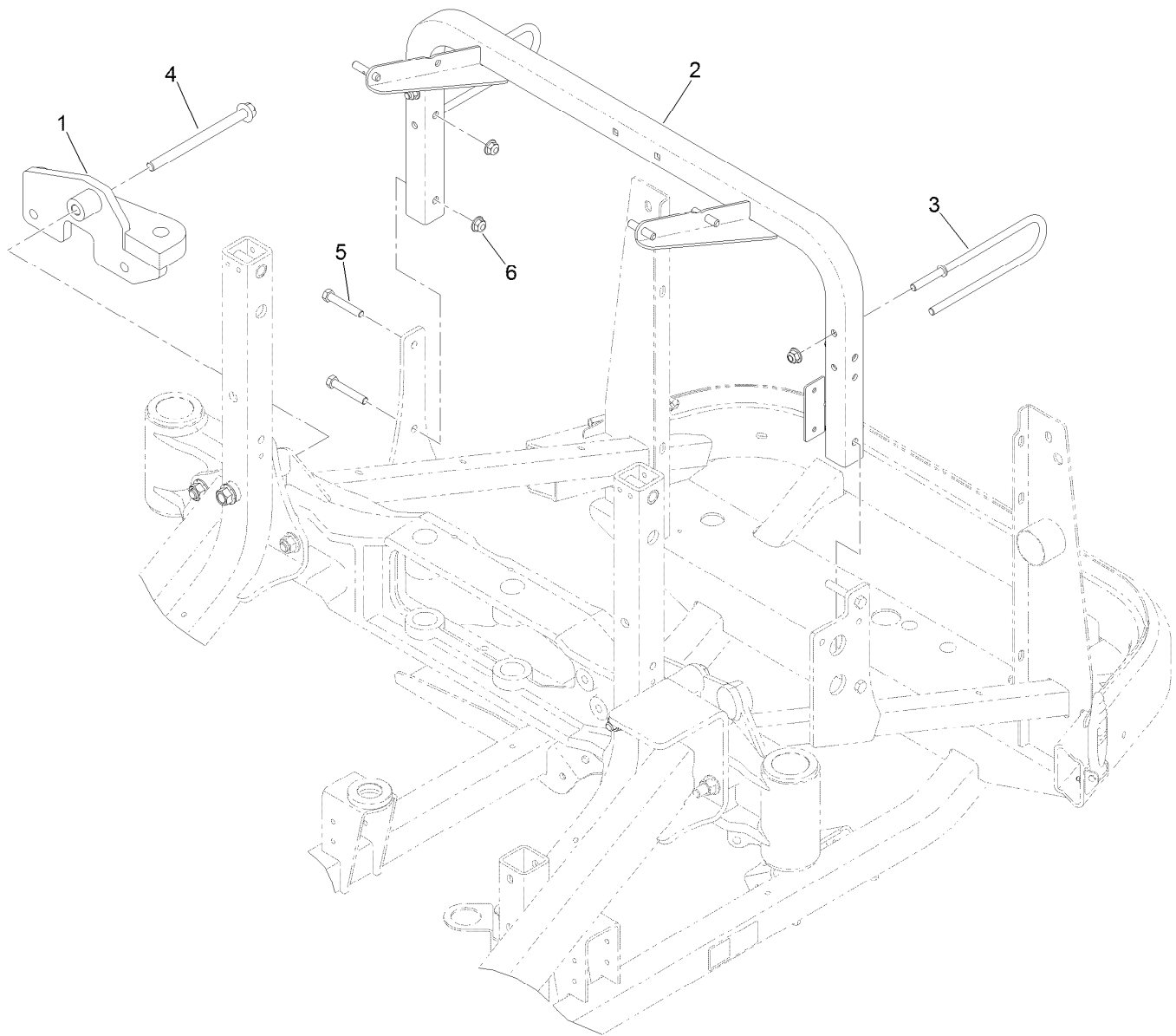
<i>Ref.</i>	<i>Part Number</i>	<i>Qty.</i>	<i>Description</i>
1	112-6353	1	Seal Kit
1:1		1	O-Ring ●
1:2		1	O-Ring ●
1:3		1	Backup ●
1:4		1	Seal-Bp ●
1:5		1	Seal-Rod ●
1:6		1	Seal-Dust ●

● Not serviced separately



Platform and Roll-Over Protection System Assembly

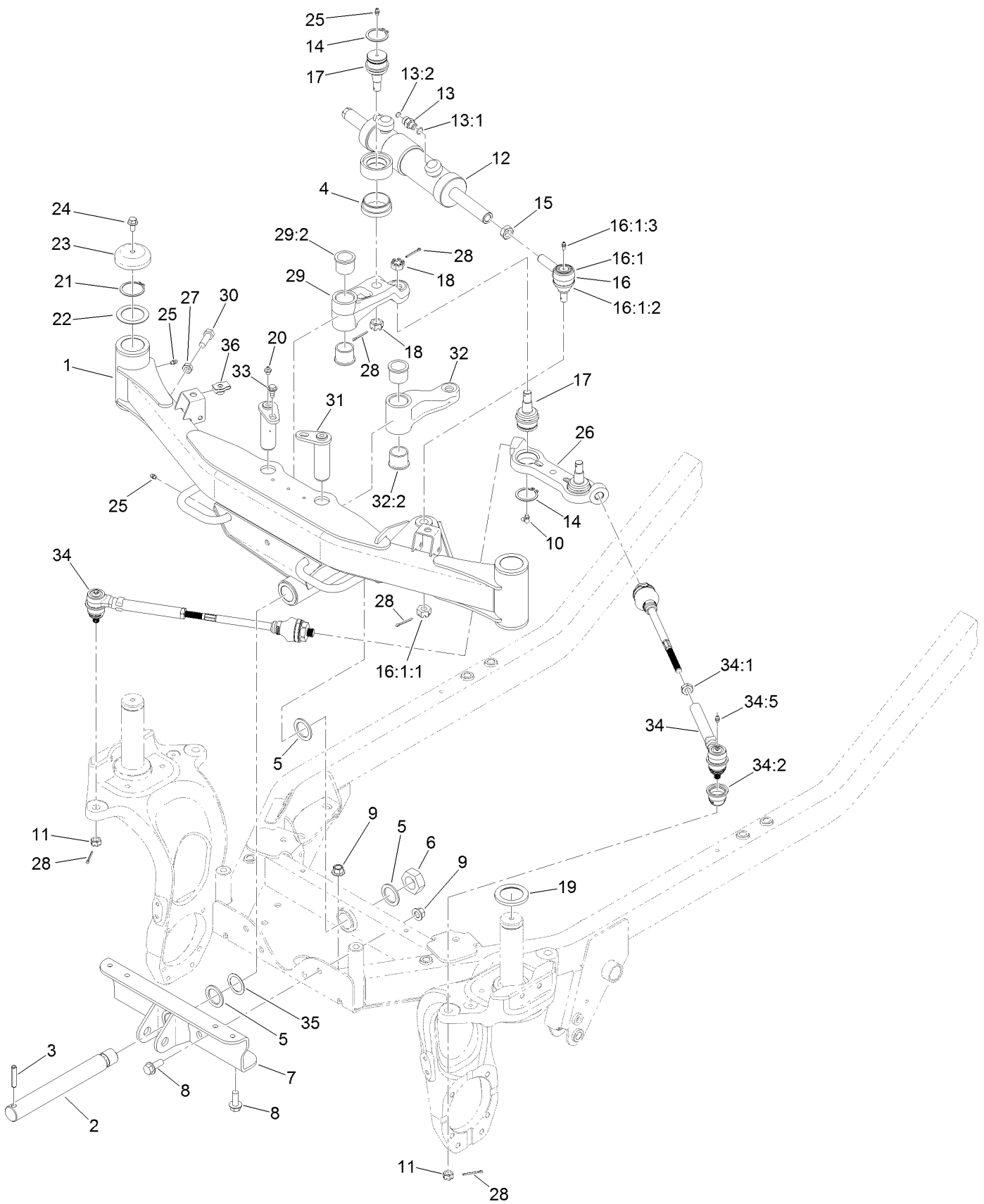
<i>Ref.</i>	<i>Part Number</i>	<i>Qty.</i>	<i>Description</i>	<i>Ref.</i>	<i>Part Number</i>	<i>Qty.</i>	<i>Description</i>
1	127-6520	1	ROPS ASM	12	32144-41	6	Screw-Taptite
1:1	117-3272	1	Decal-Danger, ROPS	13	117-3204-03	1	Plate-Floor
2	103-4553	2	Pin-Fold, ROPS	14	115-8827	2	Foam-Strip
3	110-5696	2	Spring-Leaf	15	110-9847	1	Rod-Prop
4	3290-412	4	Rivet	16	237-141	1	Grommet-Rubber
5	32128-23	2	Nut-HF	17	119-1414	1	Pin-Cotter, Locking
6	112-7264	2	Screw-HH	18	112-1461	1	Decal-Routing, Belt
7	104-8301	2	Nut-Flange, NI	20	71-0440	1	Abrasive-Pedal
9	115-0492	1	Decal-HOC	21	119-1398-01	1	Platform
10	117-3203-03	1	Fender-Front, LH	22	3234-24	4	Screw-HHF
11	117-3202-03	1	Fender-Front, RH	23	3256-22	1	Washer-Flat



Rear Frame Components Assembly

<i>Ref.</i>	<i>Part Number</i>	<i>Qty.</i>	<i>Description</i>
1	125-2820-03	1	Cylinder Mount ASM
2	125-9202-03	1	Tube-Cross
3	127-4853	2	Guide-Hose
4	125-4383	1	Bolt
5	323-45	4	Screw-HH
6	104-8301	6	Nut-Flange, NI

Front Axle and Tie Rod Assembly

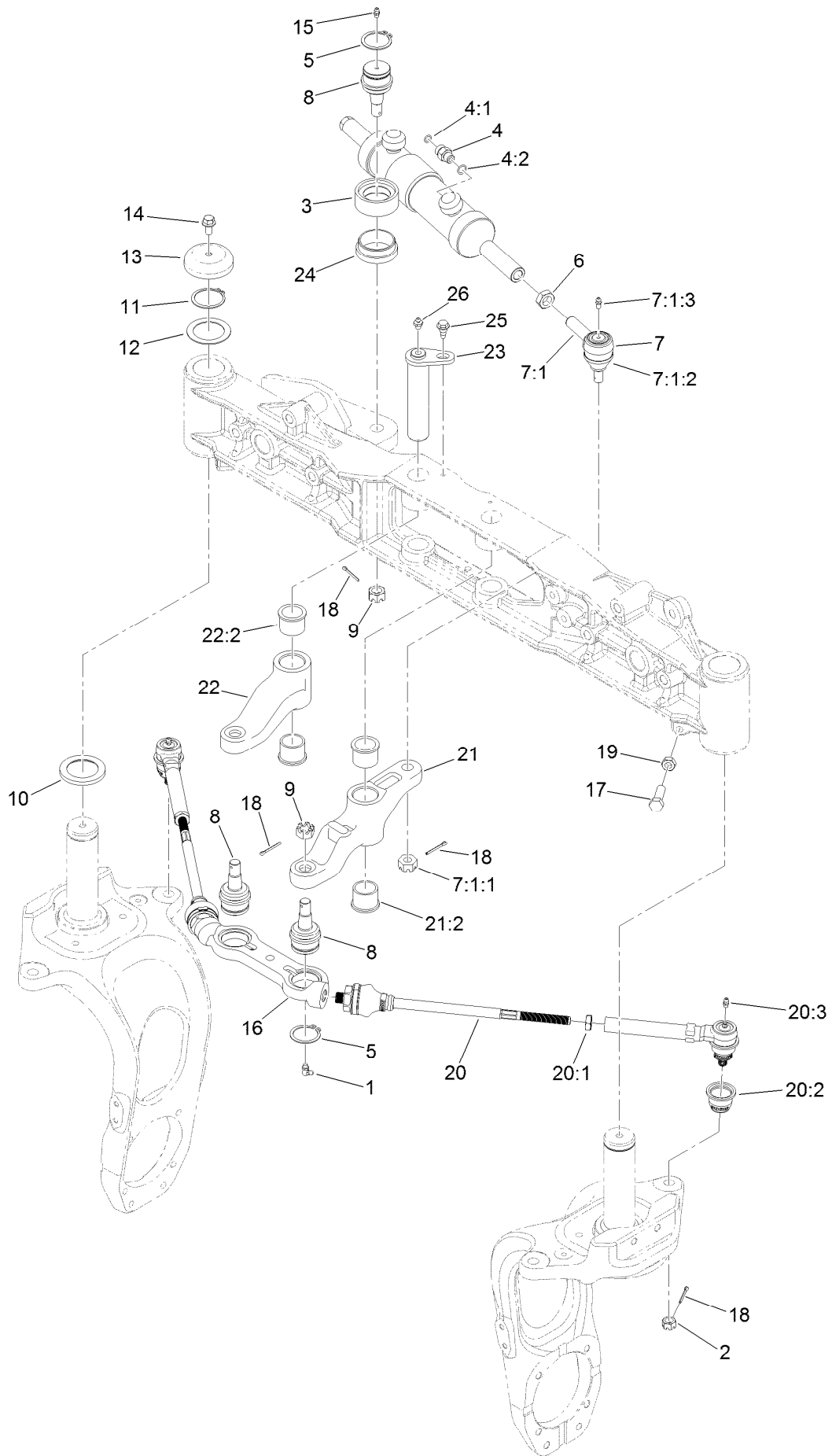


Front Axle and Tie Rod Assembly (continued)

<i>Ref.</i>	<i>Part Number</i>	<i>Qty.</i>	<i>Description</i>	<i>Ref.</i>	<i>Part Number</i>	<i>Qty.</i>	<i>Description</i>
1	125-2825	1	Front Axle ASM	19	100-2508	2	Washer-Thrust
2	119-1376	1	Shaft-Pivot	20	302-2	2	Fitting-Grease
3	32121-110	1	Pin-Roll, Slotted	21	100-4196	2	Ring-Retaining
4	120-0238	1	Spacer-Cylinder	22	115-0169	2	Washer-Thrust
5	98-1452	3	Washer-Thrust	23	100-3362	2	Cap-Spindle
6	3296-68	1	Nut-Lock, NI	24	3234-12	2	Screw-HHF
7	117-2920-03	1	Support-Axle	25	302-5	4	Fitting-Grease
8	3234-38	6	Screw-HHF	26	117-2986	1	Centerlink
9	99-5107	6	Nut-Lock	27	3218-5	2	Nut-Jam
10	302-60	2	Fitting-Grease	28	3272-12	6	Pin-Cotter
11	32136-3	2	Nut-SHH	29	120-0391	1	Front LH Arm ASM
12	125-2835	1	HYD Cylinder ASM	29:2	94-8947	2	Bushing-Flange
13	340-2	2	Fitting-HYD, Straight	30	325-6	2	Screw-HH
13:1	237-22	1	O-Ring	31	117-3167	2	Front Pin ASM
13:2	237-42	1	O-Ring	32	120-0390	1	Front RH Arm ASM
14	32151-104	3	Ring-Retaining, External	32:2	94-8947	2	Bushing-Flange
15	84-5300	1	Nut-Jam	33	99-5105	2	Bolt-Shoulder
16	71-4740-03	1	RH Tie Rod End ASM	34	117-2983	2	Rod-Tie, Front
16:1		1	End-Rod, Tie (RH)●	34:1	42-9650	1	Nut-Hex, Jam
16:1:1	105-7941	1	Nut-Hex, Slotted	34:2	117-3287	1	Dust Boot
16:1:2	105-7835	1	Seal	34:5	302-5	1	Fitting-Grease
16:1:3	302-5	1	Fitting-Grease	35	93-4628	1	Washer
17	106-6774	3	Joint-Ball	36	105-4886	2	Nut-Tinnerman
18	32136-2	3	Nut-SHH				

● Not serviced separately

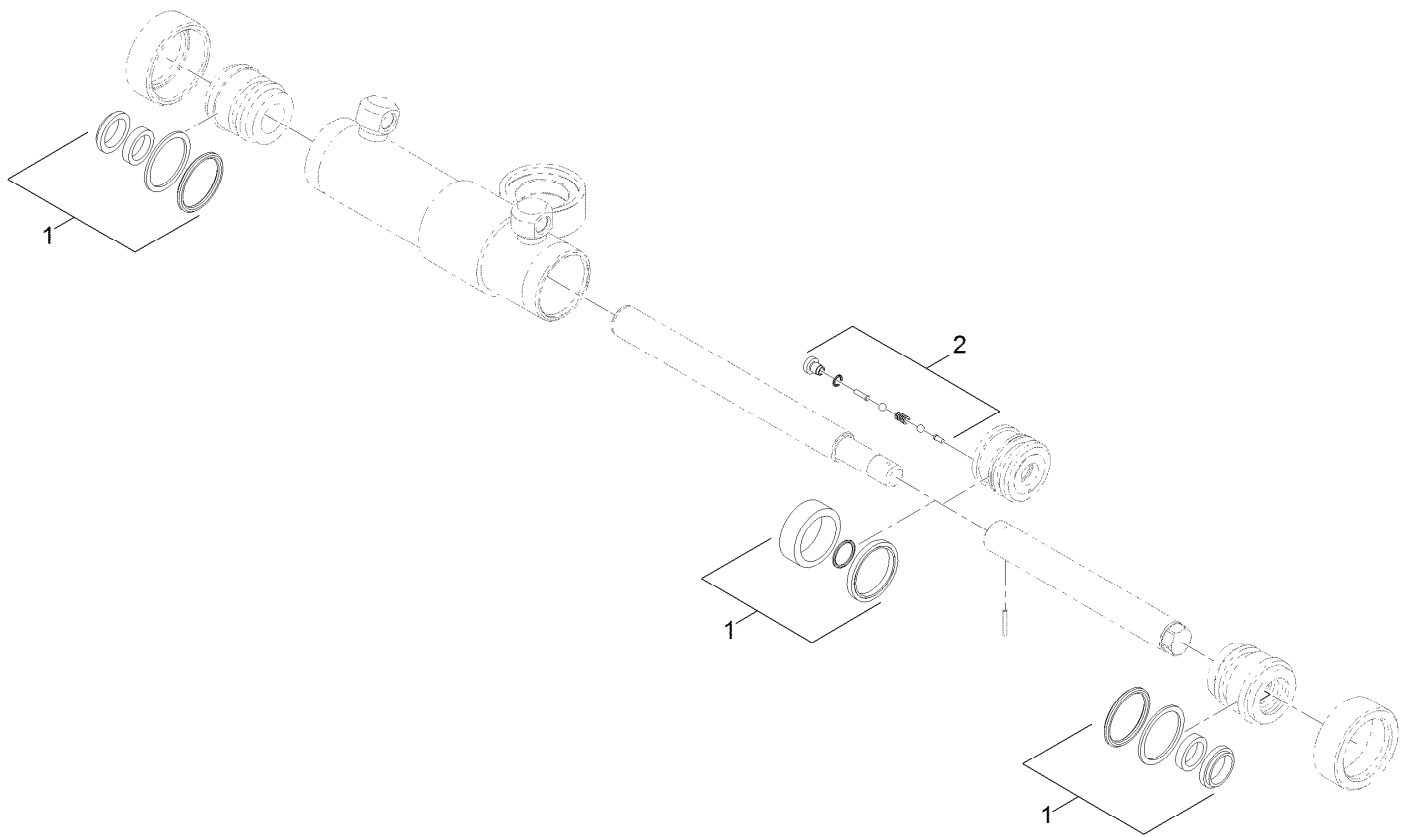
Rear Steering Assembly



Rear Steering Assembly (continued)

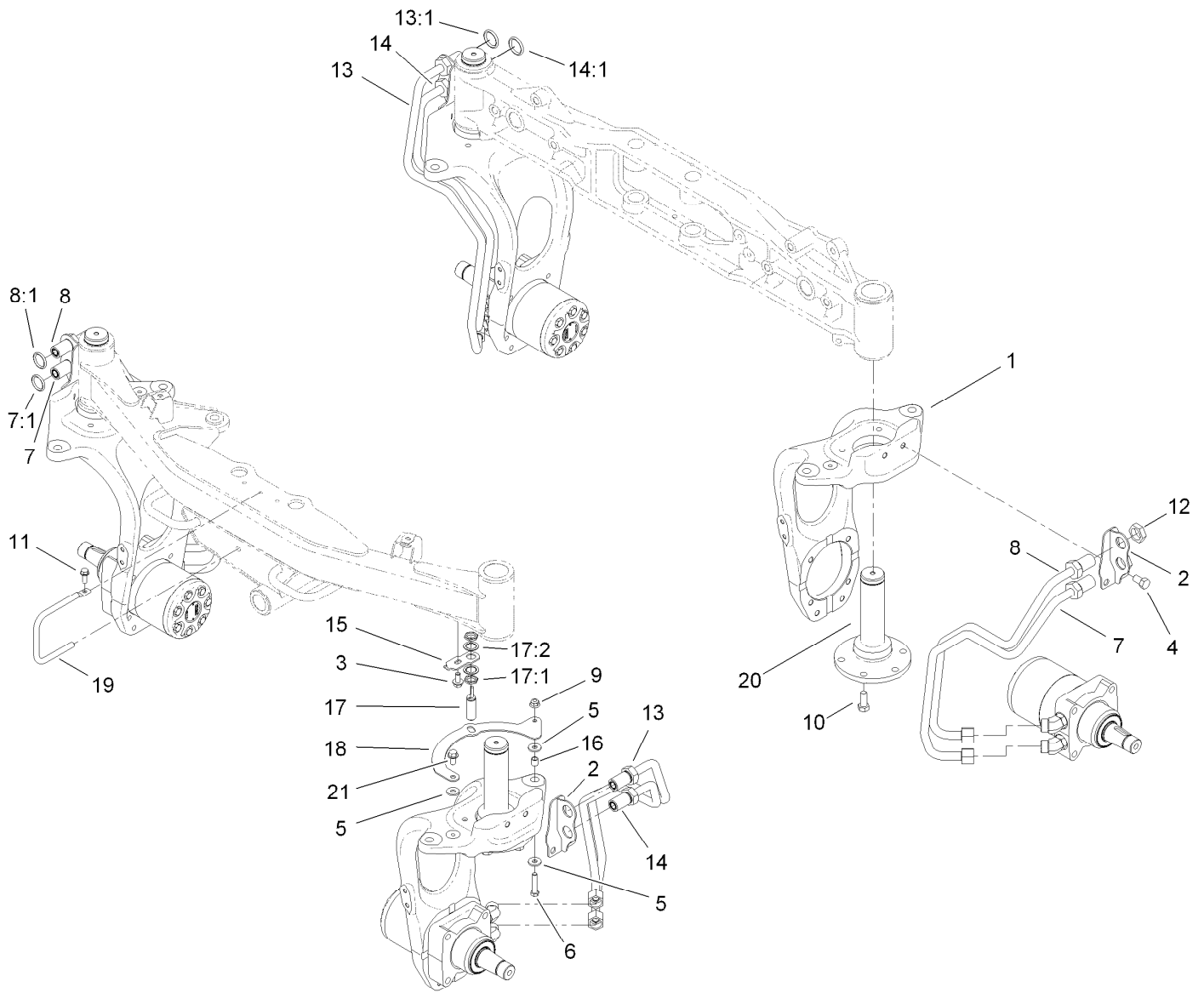
<i>Ref.</i>	<i>Part Number</i>	<i>Qty.</i>	<i>Description</i>	<i>Ref.</i>	<i>Part Number</i>	<i>Qty.</i>	<i>Description</i>
1	302-60	2	Fitting-Grease	14	3234-12	2	Screw-HHF
2	32136-3	2	Nut-SHH	15	302-5	1	Fitting-Grease
3	125-2835	1	HYD Cylinder ASM	16	117-2986	1	Centerlink
4	340-2	2	Fitting-HYD, Straight	17	325-6	2	Screw-HH
4:1	237-22	1	O-Ring	18	3272-12	6	Pin-Cotter
4:2	237-42	1	O-Ring	19	3218-5	2	Nut-Jam
5	32151-104	3	Ring-Retaining, External	20	117-2984	2	Rod-Tie, Rear
6	84-5300	1	Nut-Jam	20:1	42-9650	1	Nut-Hex, Jam
7	71-4740-03	1	RH Tie Rod End ASM	20:2	117-3287	1	Dust Boot
7:1		1	End-Rod, Tie (RH) ●	20:3	302-5	1	Fitting-Grease
7:1:1	105-7941	1	Nut-Hex, Slotted	21	125-2832	1	Rear LH Arm ASM
7:1:2	105-7835	1	Seal	21:2	94-8947	2	Bushing-Flange
7:1:3	302-5	1	Fitting-Grease	22	120-0392	1	Rear RH Arm ASM
8	106-6774	3	Joint-Ball	22:2	94-8947	2	Bushing-Flange
9	32136-2	3	Nut-SHH	23	117-3137	2	Pin ASM
10	100-2508	2	Washer-Thrust	24	120-0238	1	Spacer-Cylinder
11	100-4196	2	Ring-Retaining	25	99-5105	2	Bolt-Shoulder
12	115-0169	2	Washer-Thrust	26	302-2	2	Fitting-Grease
13	100-3362	2	Cap-Spindle				

● Not serviced separately



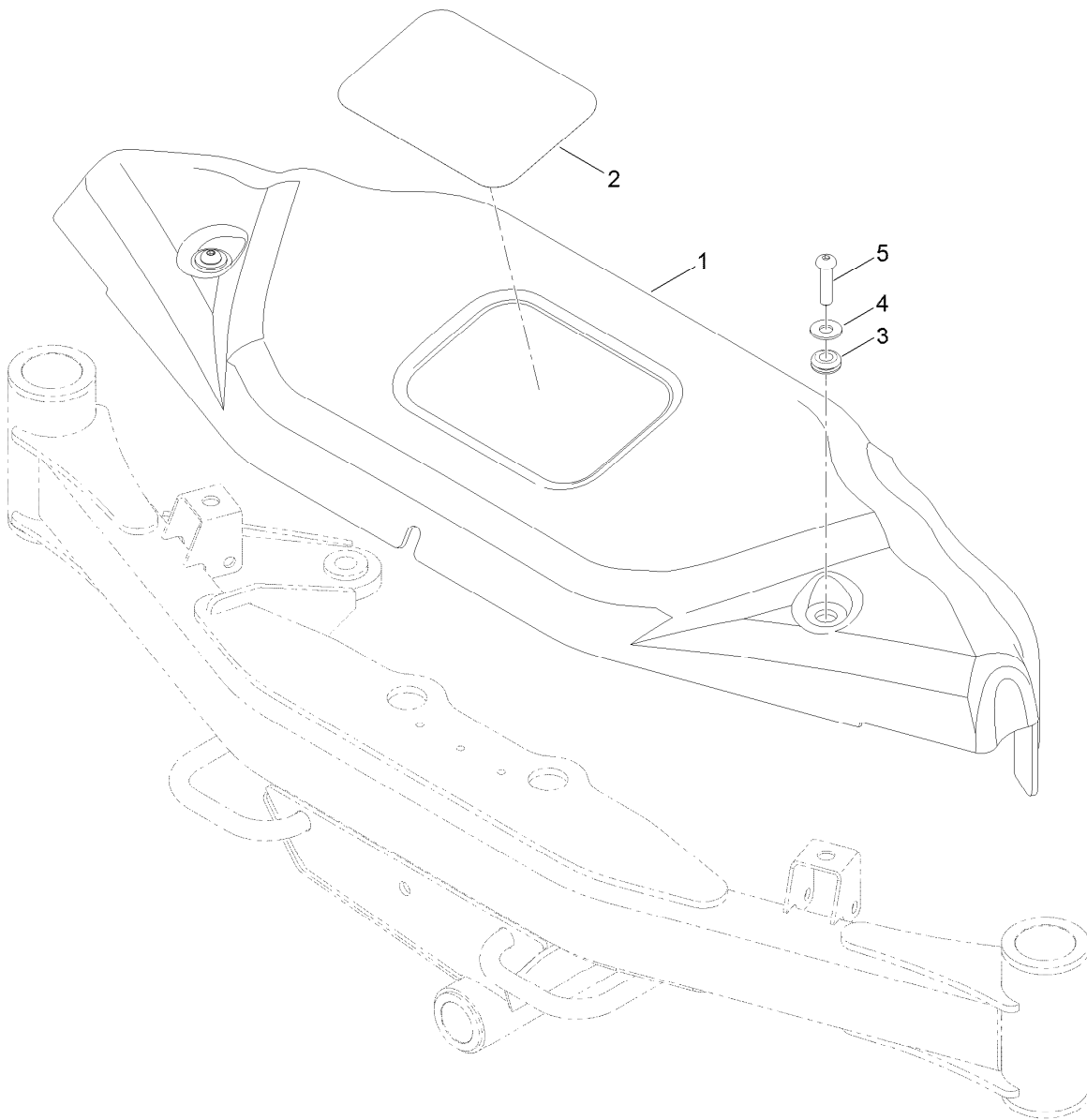
Hydraulic Cylinder Assembly No. 125-2835

<i>Ref.</i>	<i>Part Number</i>	<i>Qty.</i>	<i>Description</i>
1	120-2557	1	Seal Kit
2	120-2556	1	Valve-Check, Rephasing



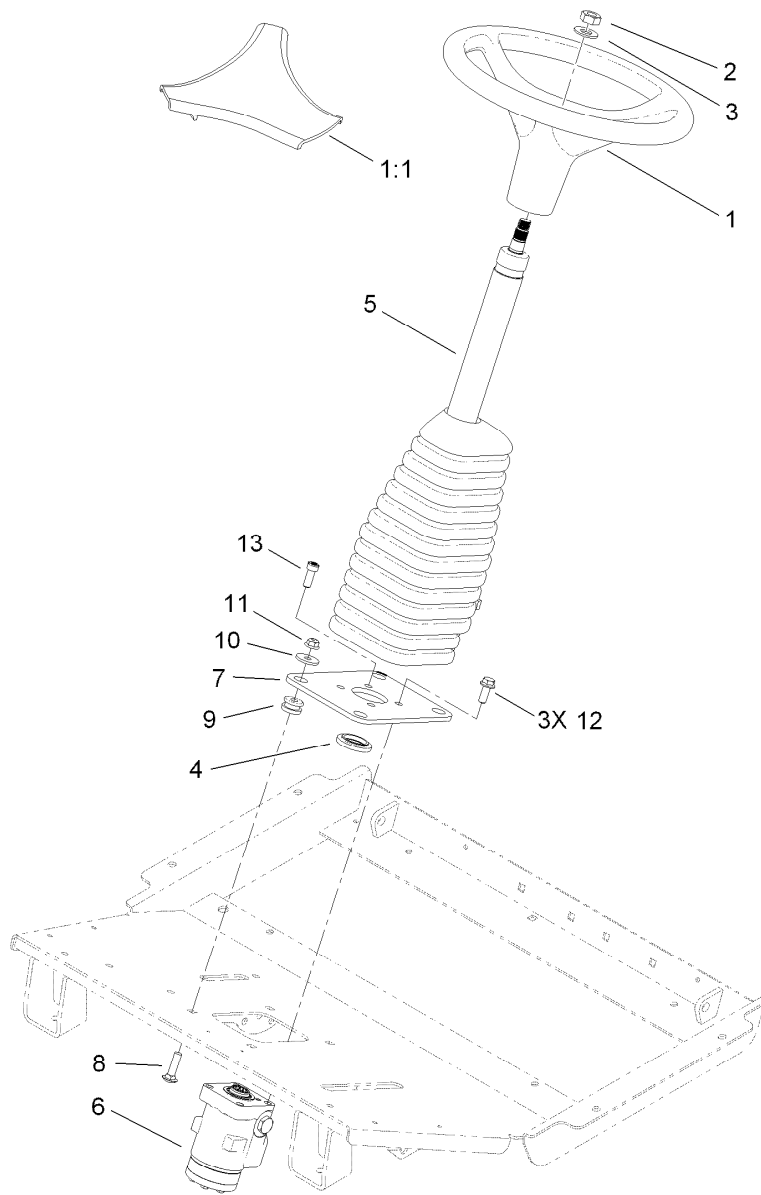
4 Wheel Drive Steering Assembly

Ref.	Part Number	Qty.	Description	Ref.	Part Number	Qty.	Description
1	117-2951	4	Base-Fork, Steer	13	117-2946	2	Upper Tube ASM (Rlrf)
2	119-1410-03	4	Bracket-Bulkhead	13:1	237-65	1	O-Ring
3	110-9380	1	Screw-HWH	14	117-2947	2	Lower Tube ASM (Rlrf)
4	325-3	8	Screw-HH	14:1	237-65	1	O-Ring
5	5-0838	3	Washer	15	119-1413	1	Bracket-Sensor
6	32128-21	1	Nut-HF	16	103-1166	1	Spacer-Tube, Pump Link
7	117-2948	2	Upper Tube ASM (Lrff)	17	115-5300	1	Proximity Switch ASM
7:1	237-65	1	O-Ring	17:1	117-3207	2	Nut-Hex
8	117-2949	2	Lower Tube ASM (Lrff)	17:2	117-3208	2	Washer-Lock, Internal Tooth
8:1	237-65	1	O-Ring	18	117-2216-03	1	Bracket-Target
9	323-8	1	Screw-HH	19	117-3178	1	Rod-Guide
10	117-3266	20	Screw-HH	20	117-3361	4	Spindle-Steer
11	32144-41	1	Screw-Taptite	21	3234-47	1	Screw-HHF
12	340-74	8	Nut-Lock, Bulkhead				



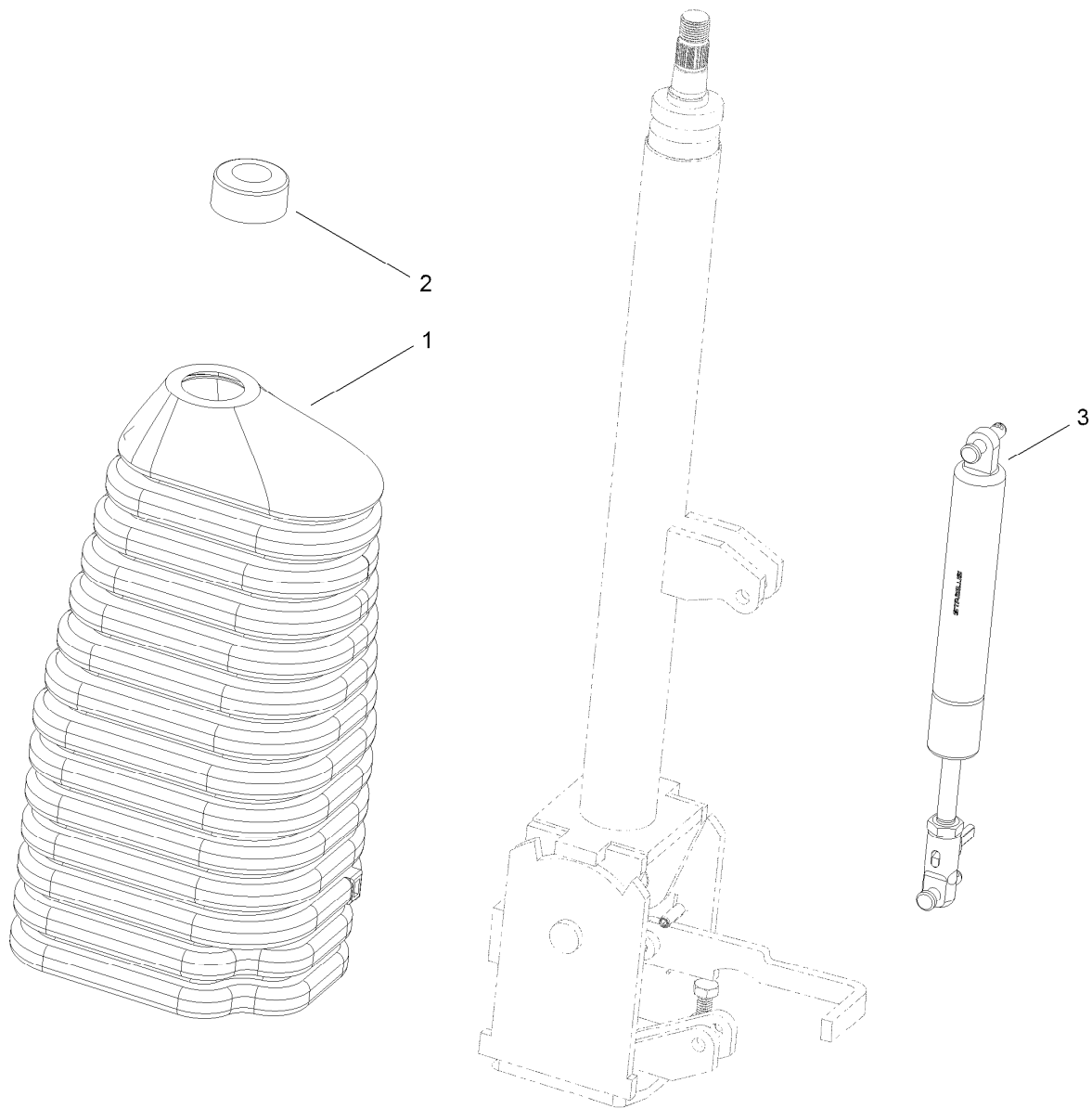
Front Cover Assembly

<i>Ref.</i>	<i>Part Number</i>	<i>Qty.</i>	<i>Description</i>
1	125-2828	1	Cover-Front
2	104-7213	1	Decal
3	1-633630	2	Grommet
4	100-7403	2	Washer-Flat
5	95-3857	2	Screw-HSBH



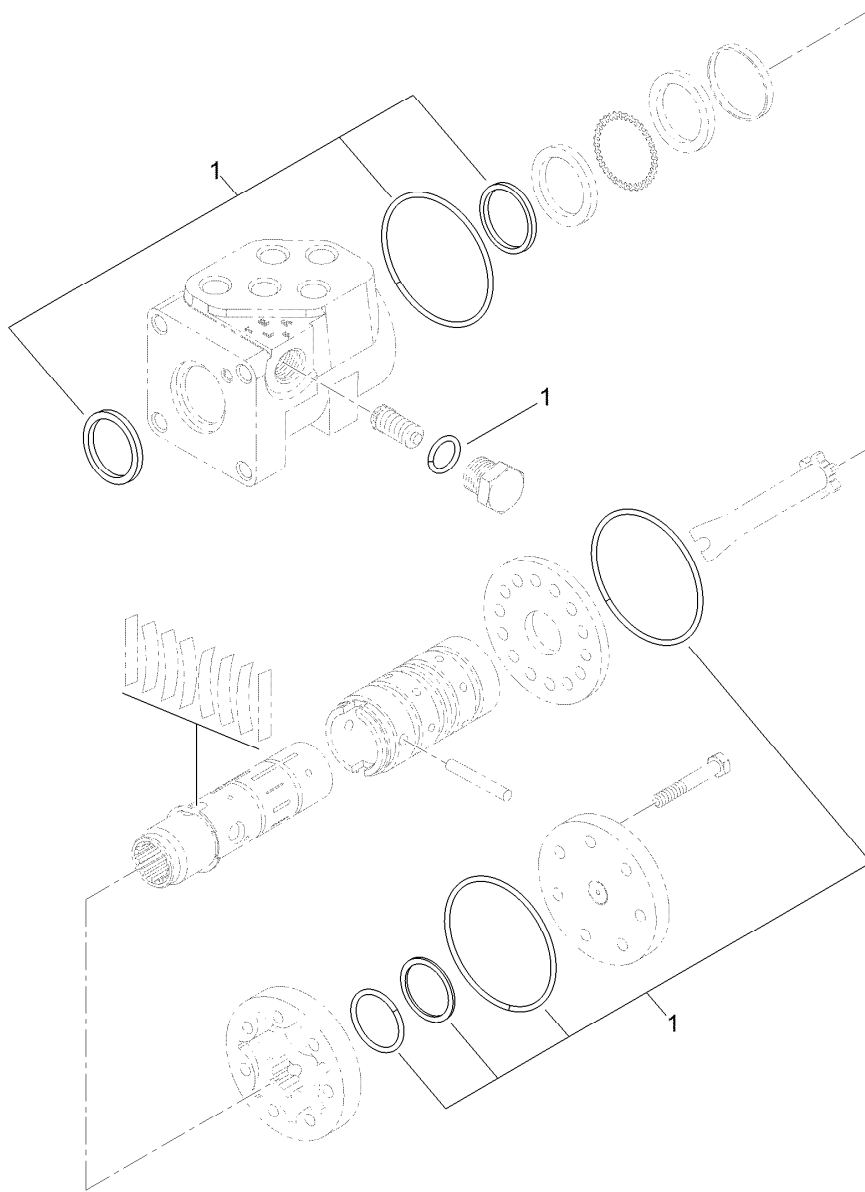
Steering Column Assembly

Ref.	Part Number	Qty.	Description
1	98-1471	1	Wheel-Steering
1:1	98-1468	1	Cover-Wheel, Steering
2	3296-33	1	Nut-Lock, NI
3	3256-27	1	Washer-Flat
4	117-3373	1	Bushing-Alignment
5	117-3371	1	Column-Steering
6	130-7948	1	Valve-Control, Steering
7	117-3234-03	1	Plate-Steering
8	3231-26	4	Screw-CARR
9	63-9750	4	Mount
10	63-8410	4	Washer
11	104-8301	4	Nut-Flange, NI
12	108-1531	3	Screw-HHF
13	3273-41	1	Screw-HSH



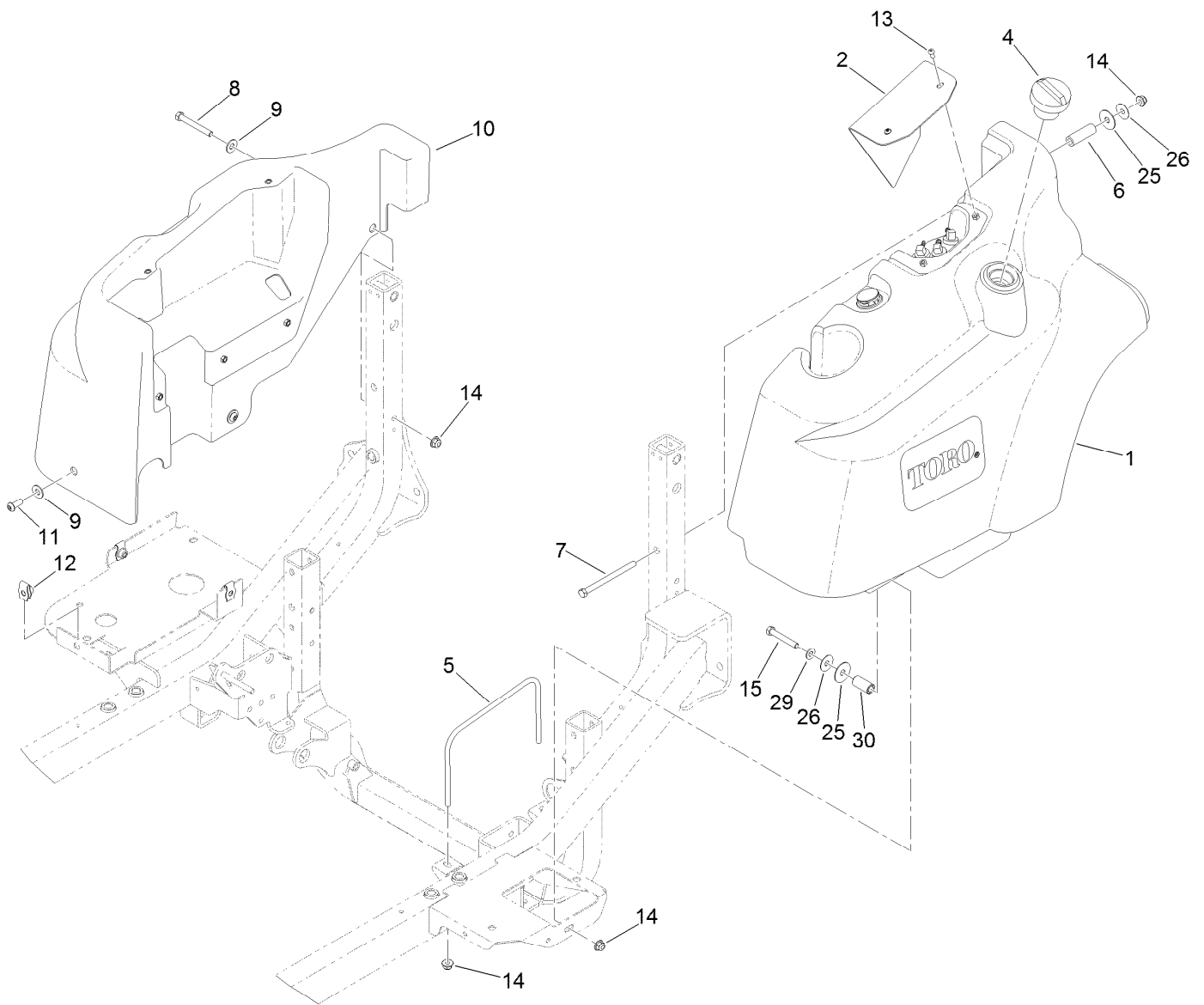
Steering Column Assembly No. 117-3371

<i>Ref.</i>	<i>Part Number</i>	<i>Qty.</i>	<i>Description</i>
1	120-2592	1	Boot-Rubber, Column
2	120-2593	1	Boot-Rubber, Bearing
3	120-2594	1	Gas Spring ASM



Steering Valve Assembly No. 130-7948

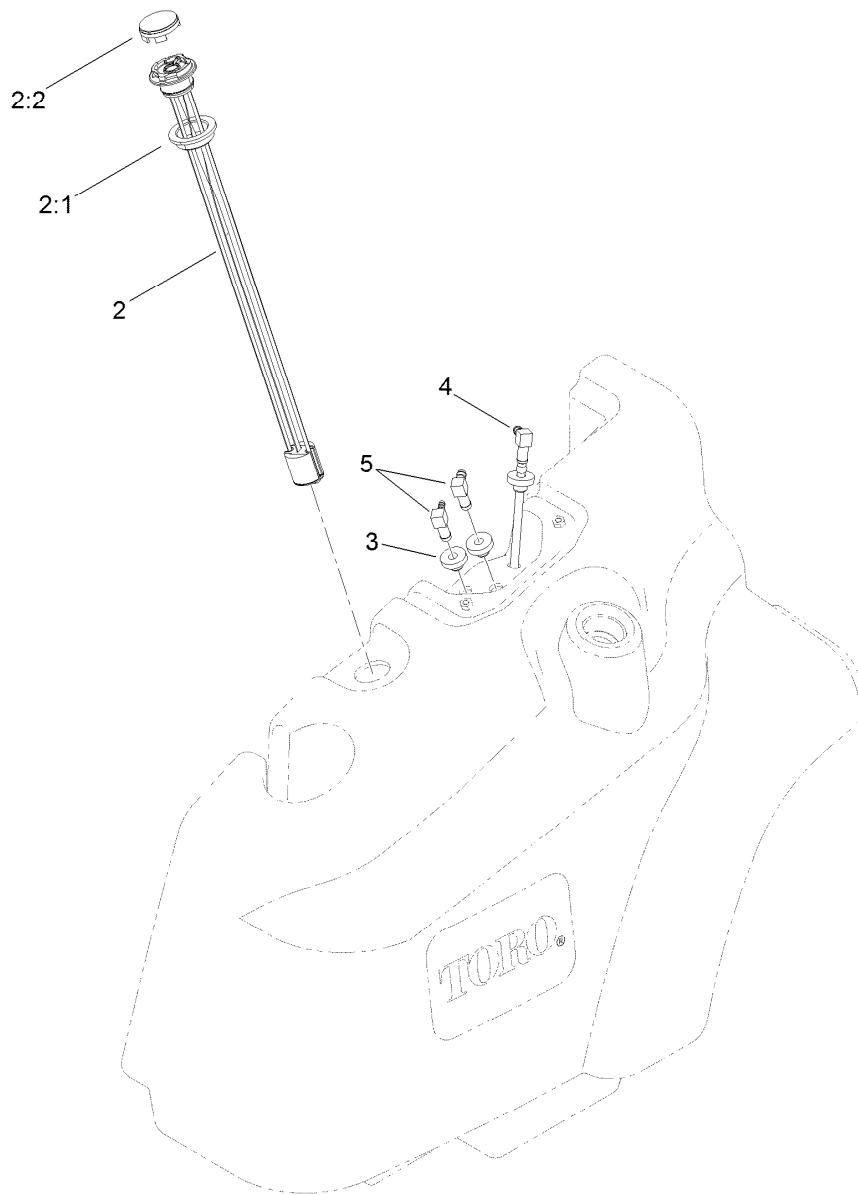
<i>Ref.</i>	<i>Part Number</i>	<i>Qty.</i>	<i>Description</i>
1	130-8357	1	Seal Kit



Fuel Tank and Control Panel Component Assembly

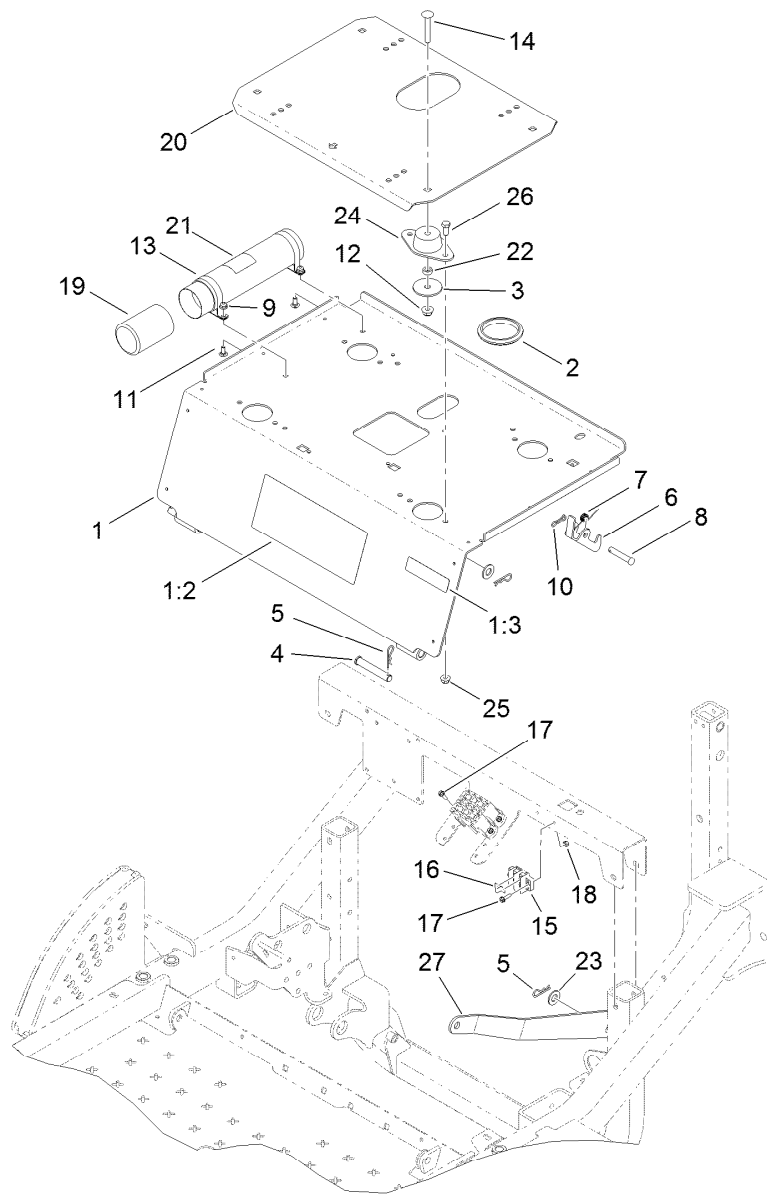
Ref.	Part Number	Qty.	Description
1	131-1920	1	Fuel Tank ASM
2	117-3359-03	1	Plate-Cover
4	125-9170	1	Cap-Fuel, Diesel (Ultra Low Sulfur)
5	117-3394	1	Bracket-Tank
6	117-3387	1	Tube-Spacer
7	323-39	1	Screw-HH
8	323-14	1	Screw-HH
9	100-7403	4	Washer-Flat
10	117-3353	1	Cover-Tank, HYD

Ref.	Part Number	Qty.	Description
11	3274-94	3	Screw-HSBH
12	105-4886	3	Nut-Tinnerman
13	3274-31	2	Screw-HSBH
14	104-8301	5	Nut-Flange, NI
15	323-12	1	Screw-HH
25	95-1905	2	Washer-Rubber
26	105-6814	2	Washer-Plain
29	3256-24	1	Washer-Flat
30	110-3726	1	Spacer



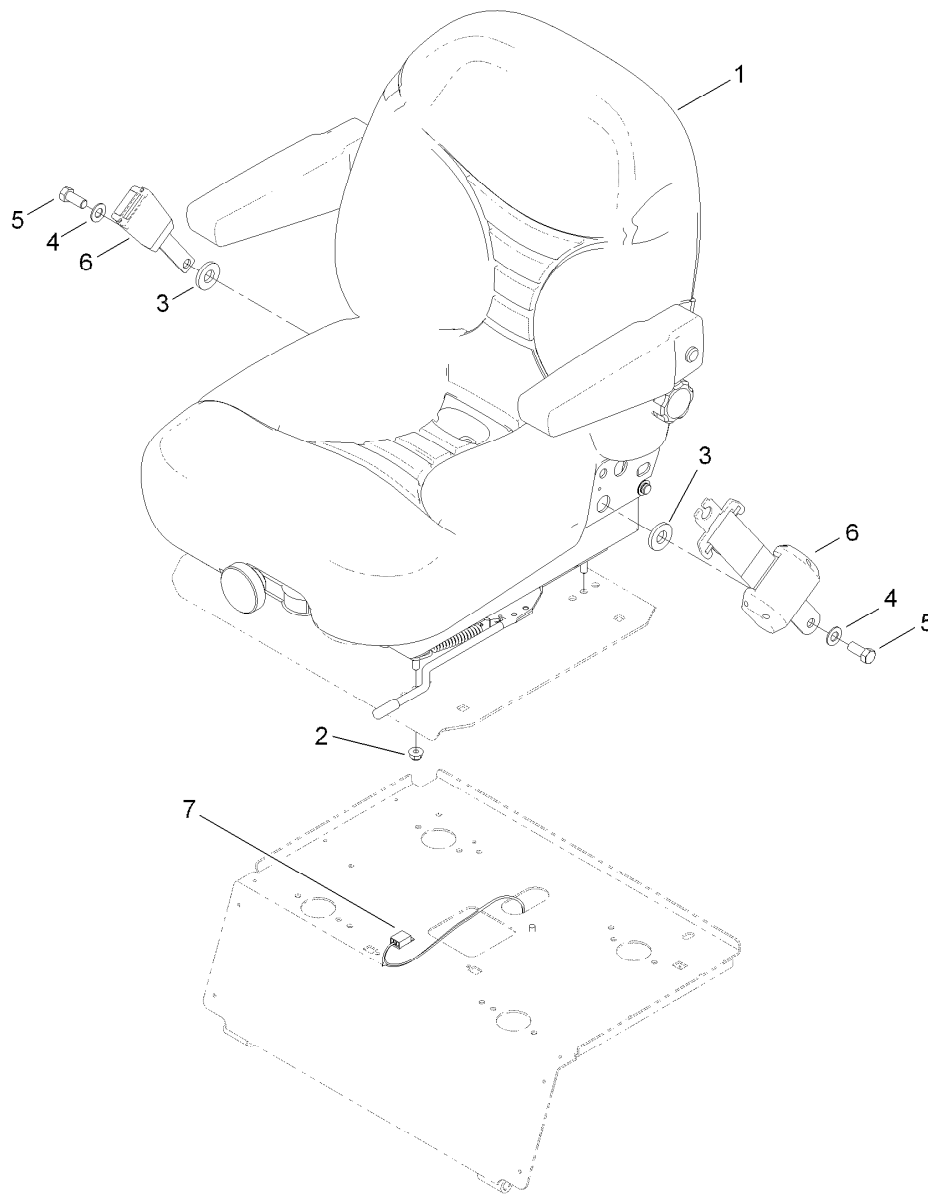
Fuel Tank Assembly No. 131-1920

<i>Ref.</i>	<i>Part Number</i>	<i>Qty.</i>	<i>Description</i>
2	117-3238	1	Gauge-Fuel
2:1	119-0508	1	Seal
2:2	117-8404	1	Dial-Gauge
3	46-6560	3	Bushing
4	117-3370	1	Pipe-Stand
5	46-6550	2	Fitting-Elbow, 90 DEG



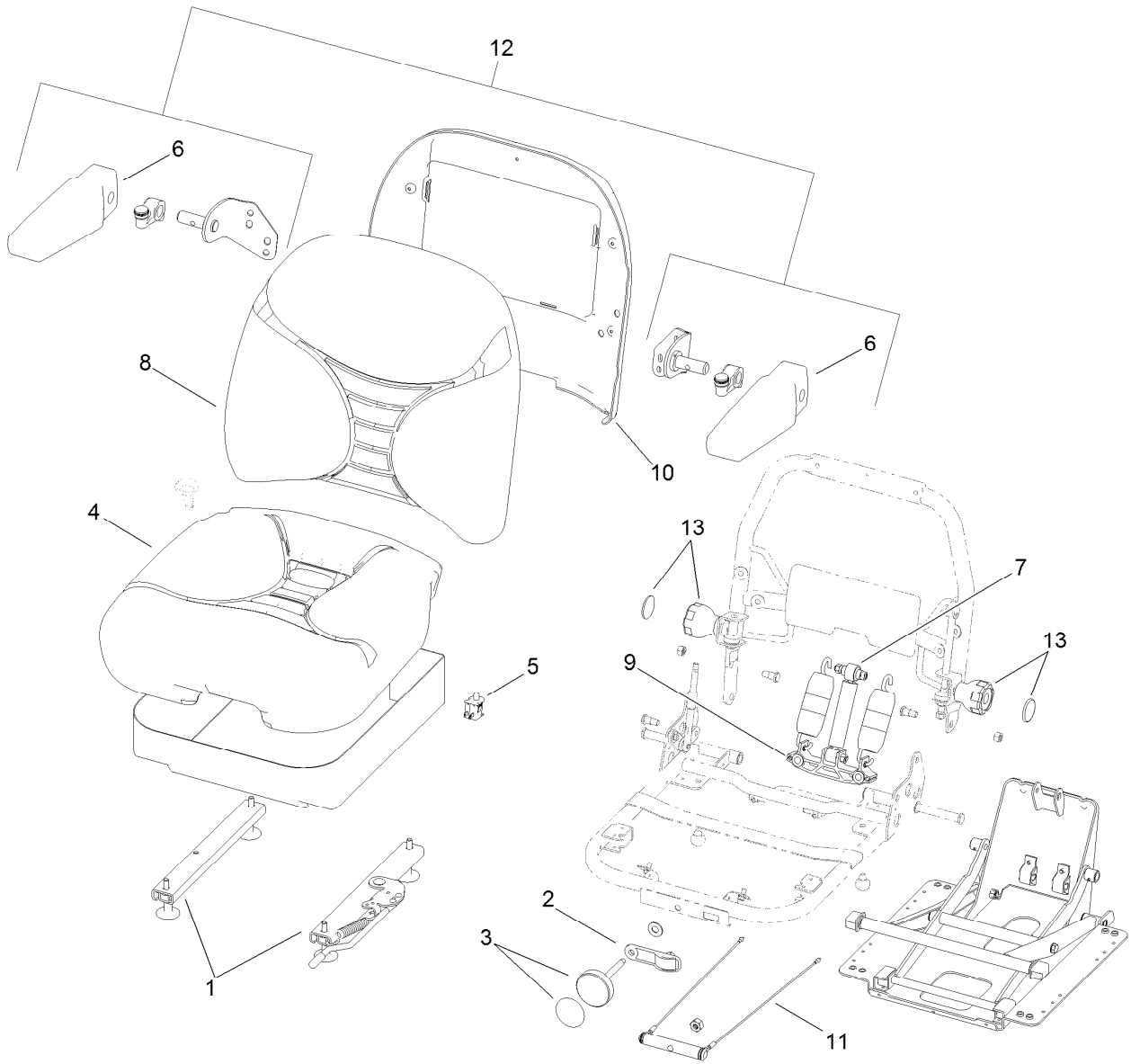
Seat Plate Assembly

<i>Ref.</i>	<i>Part Number</i>	<i>Qty.</i>	<i>Description</i>	<i>Ref.</i>	<i>Part Number</i>	<i>Qty.</i>	<i>Description</i>
1	120-0244	1	Seat Plate ASM	14	3231-40	4	Bolt-CARR, Short Neck
1:2	117-3273	1	Decal-Operation, Warning	15	42862	1	Block-Terminal, Ground
1:3	117-2718	1	Decal-Arrester, Spark	16	42863	1	Strip-Jumper
2	237-164	1	Grommet	17	32105-13	2	Screw-HWH
3	83-1040	4	Washer-Flat	18	3296-2	2	Nut-Lock, NI
4	283-55	2	Pin-Clevis	19	104-7048	1	Cap-Housing
5	3290-467	4	Pin-Hair	20	117-3065-03	1	Plate-Seat
6	117-3067	1	Latch-Seat	21	104-7050	1	Tube-Manual
7	104-4821	1	Spring-Torsion	22	83-1050	4	Spacer
8	283-82	1	Pin-Clevis	23	3256-26	2	Washer-Flat
9	104-7201	2	Nut-Flange, NI	24	83-1030	4	Mount-Engine
10	119-1415	1	Pin-Cotter, Locking	25	104-8300	8	Nut-Flange, NI
11	3229-1	2	Bolt-CARR	26	322-3	8	Screw-HH
12	104-8301	4	Nut-Flange, NI	27	120-0242-01	1	Strap-Prop
13	107-1865	2	R-Clamp				



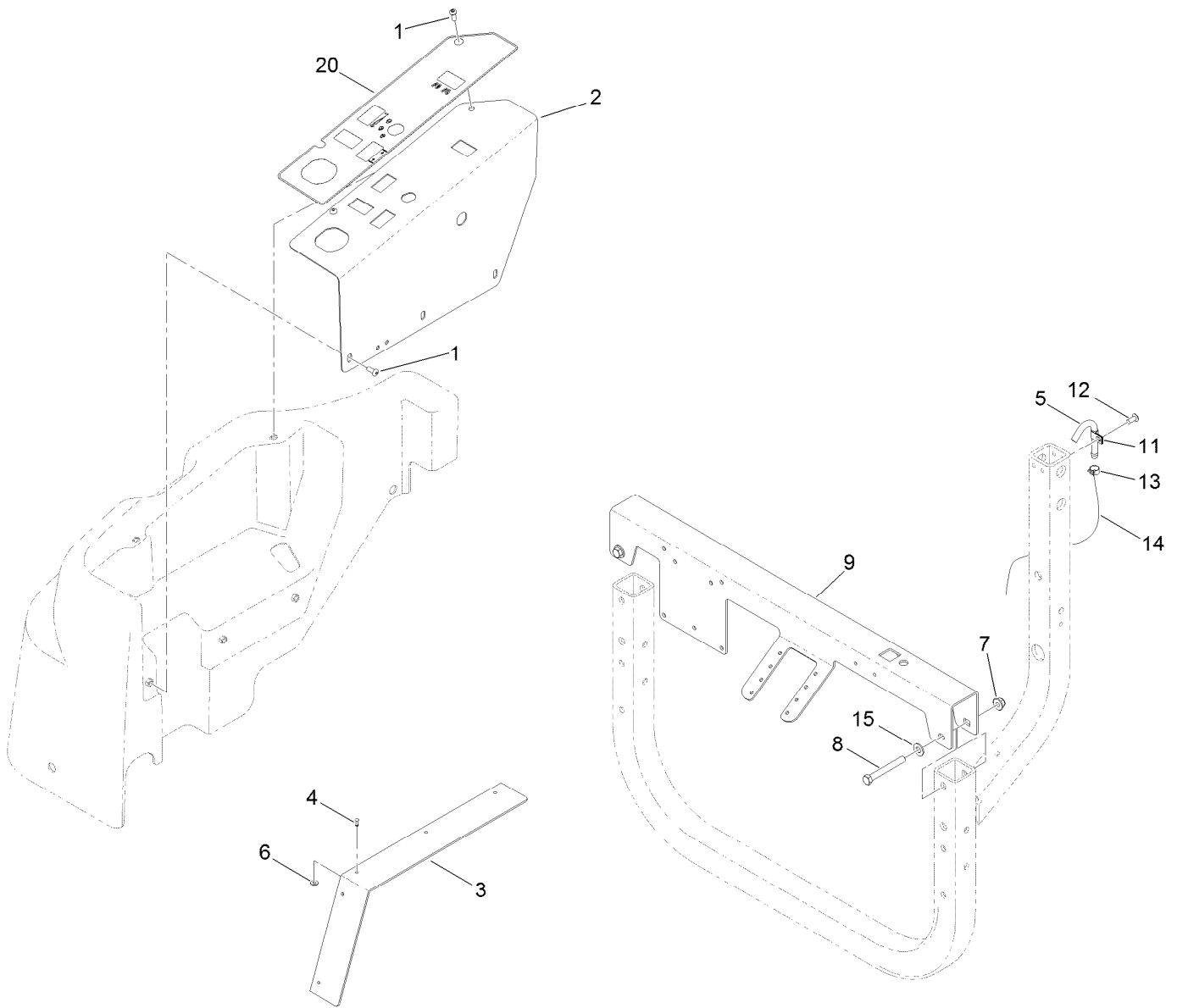
Seat Assembly

<i>Ref.</i>	<i>Part Number</i>	<i>Qty.</i>	<i>Description</i>
1	107-2286	1	Seat
2	104-8300	4	Nut-Flange, NI
3	99-7667	2	Washer-Flat
4	3256-25	2	Washer-Flat
5	3212-4	2	Screw-HH
6	110-0413	1	Seatbelt-Retractable
7	119-5786	1	Harness-Wire



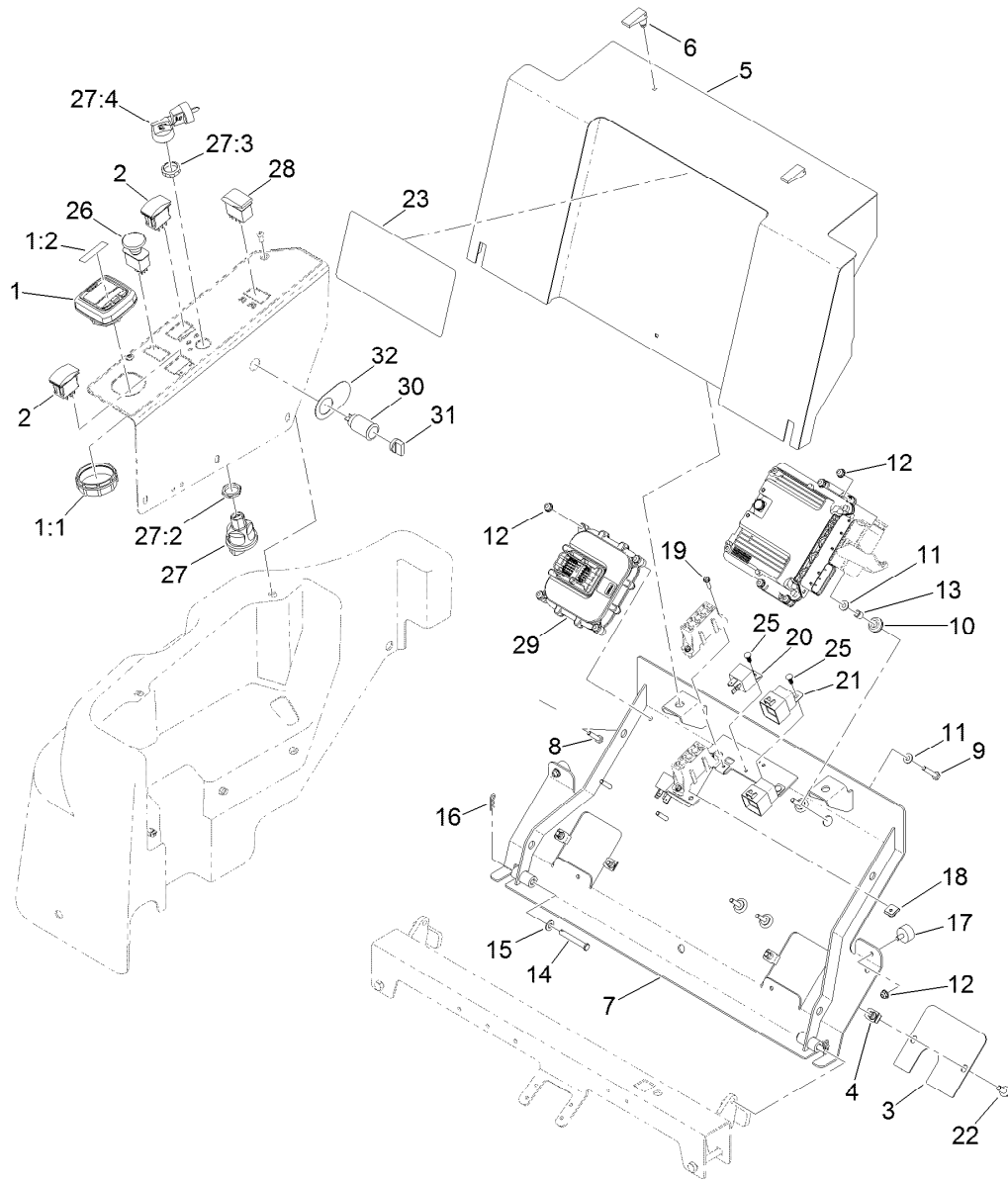
Seat Assembly No. 107-2286

<i>Ref.</i>	<i>Part Number</i>	<i>Qty.</i>	<i>Description</i>
1	107-1880	1	Seat Track Kit
2	107-1885	1	Weight Indicator Kit
3	121-9431	1	Knob Kit
4	107-1883	1	Bottom Cushion Kit
5	82-2190	1	Switch-Bail
6	107-1887	2	Pad-Armrest
7	107-1884	1	Shock Absorber Kit
8	107-1882	1	Back Cushion Kit
9	109-3343	1	Spring And Saddle Kit
10	109-3344	1	Back Panel Kit
11	109-3345	1	Weight Adjust Kit
12	121-9415	1	Armrest Kit
13	121-9432	2	Adjust Knob Kit



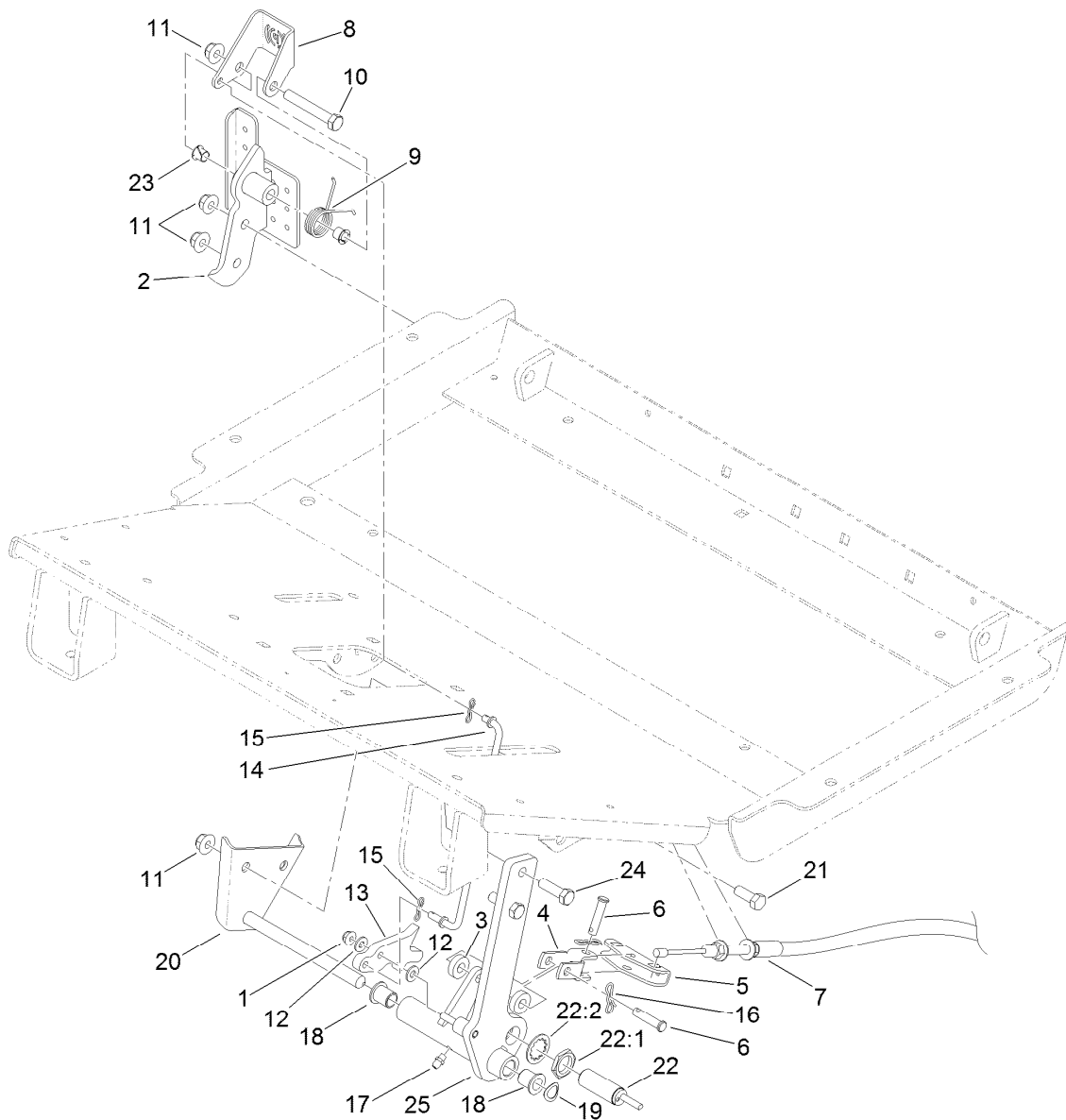
Seat Platform Assembly

Ref.	Part Number	Qty.	Description
1	3274-31	5	Screw-HSBH
2	125-2850-03	1	Panel-Control
3	117-3175	2	Strap-Filler
4	3290-282	10	Rivet-Blind
5	120-6820	1	Tube-Vent
6	3269-26	10	Washer-Plain
7	104-8301	2	Nut-Flange, NI
8	323-14	2	Screw-HH
9	125-4361-03	1	Channel-Seat
11	2412-89	1	Clamp-R
12	3290-412	1	Rivet
13	92-2379	2	Clamp-Hose
14	110-4101	1	Hose-Fuel
15	3256-24	2	Washer-Flat
20	125-4399	1	Decal-Control Panel, T4



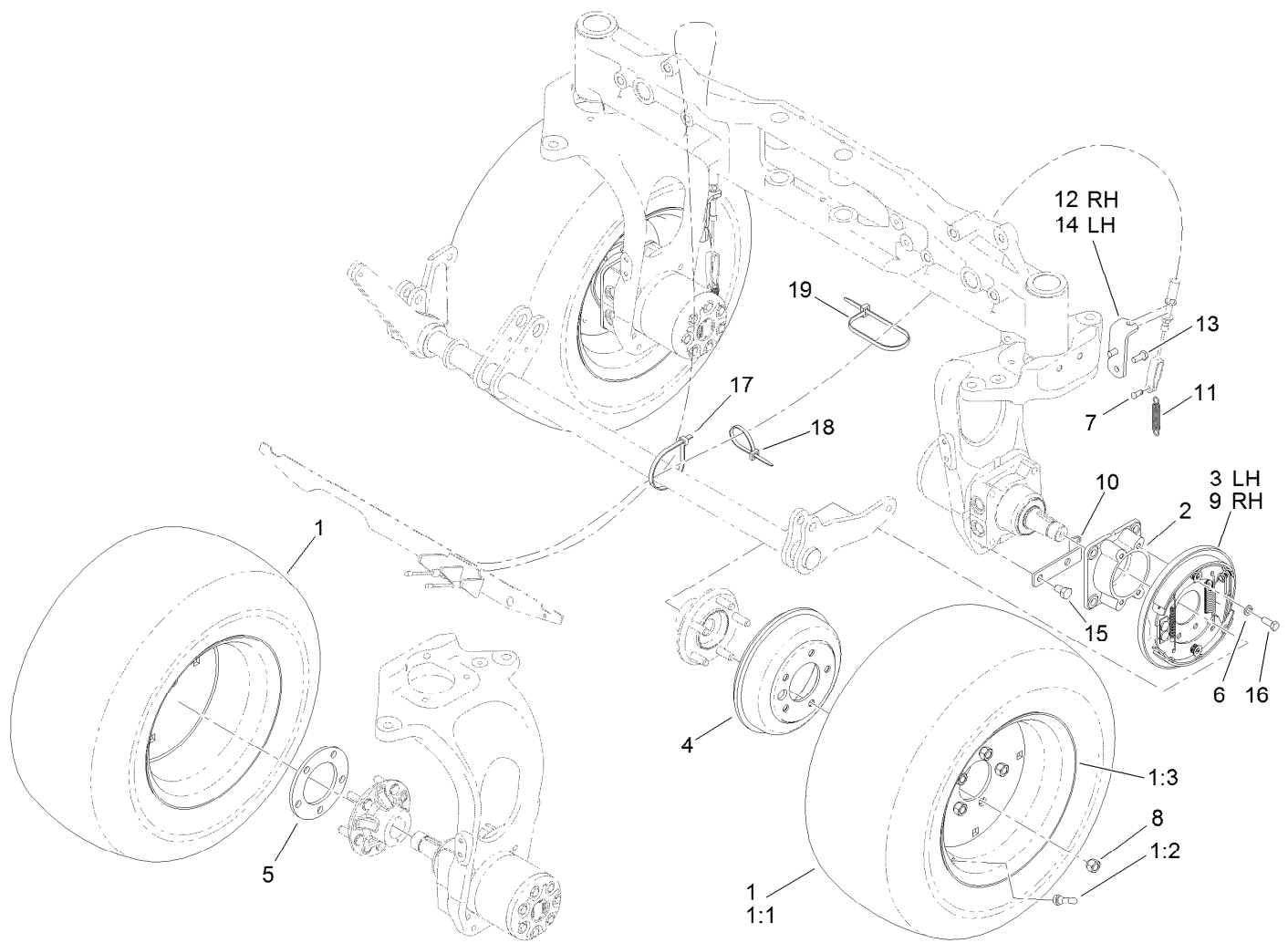
4 Wheel Drive Module Control and Relay Assembly

Ref.	Part Number	Qty.	Description	Ref.	Part Number	Qty.	Description
1	120-6310	1	Lcd Display ASM	17	240-14	2	Bumper-Rubber
1:1	120-4630	1	Nut-Display	18	125-4384	4	Speed Nut, U-Type
1:2	120-6311	1	Decal-Display	19	32105-13	4	Screw-HWH
2	100-1535	2	Switch	20	99-7435	2	Relay-Power
3	131-3365-03	2	Plate-Cover, Ec	21	99-7430	2	Relay
4	94-2413	4	U-Nut	22	3234-47	4	Screw-HHF
5	127-4867-03	1	Cover-Power Center	23	131-1946	1	Decal-Instructions, Service
6	74-5950	2	Latch-Swell	25	120-6737	4	Plug-Plastic
7	125-4360-03	1	Power Center ASM	26	95-4108	1	Switch-PTO
8	321-8	4	Screw-HH	27	121-5159	1	Ignition Switch ASM
9	321-9	4	Screw-HH	27:2	121-5160	1	Nut-Hex
10	1-633630	4	Grommet	27:3	121-5161	1	Nut-Face
11	3256-22	8	Washer-Flat	27:4	121-5162	1	Key Set-Ignition
12	104-7201	10	Nut-Flange, NI	28	100-8490	1	Switch-Rocker
13	1-633545	4	Spacer	29	115-1900	1	Controller
14	110-0618	2	Pin-Clevis	30	99-7411	1	Point-Power
15	3256-23	2	Washer-Flat	31	99-7416	1	Cap
16	3290-307	2	Pin-Cotter	32	106-2353	1	Decal-Powerpoint



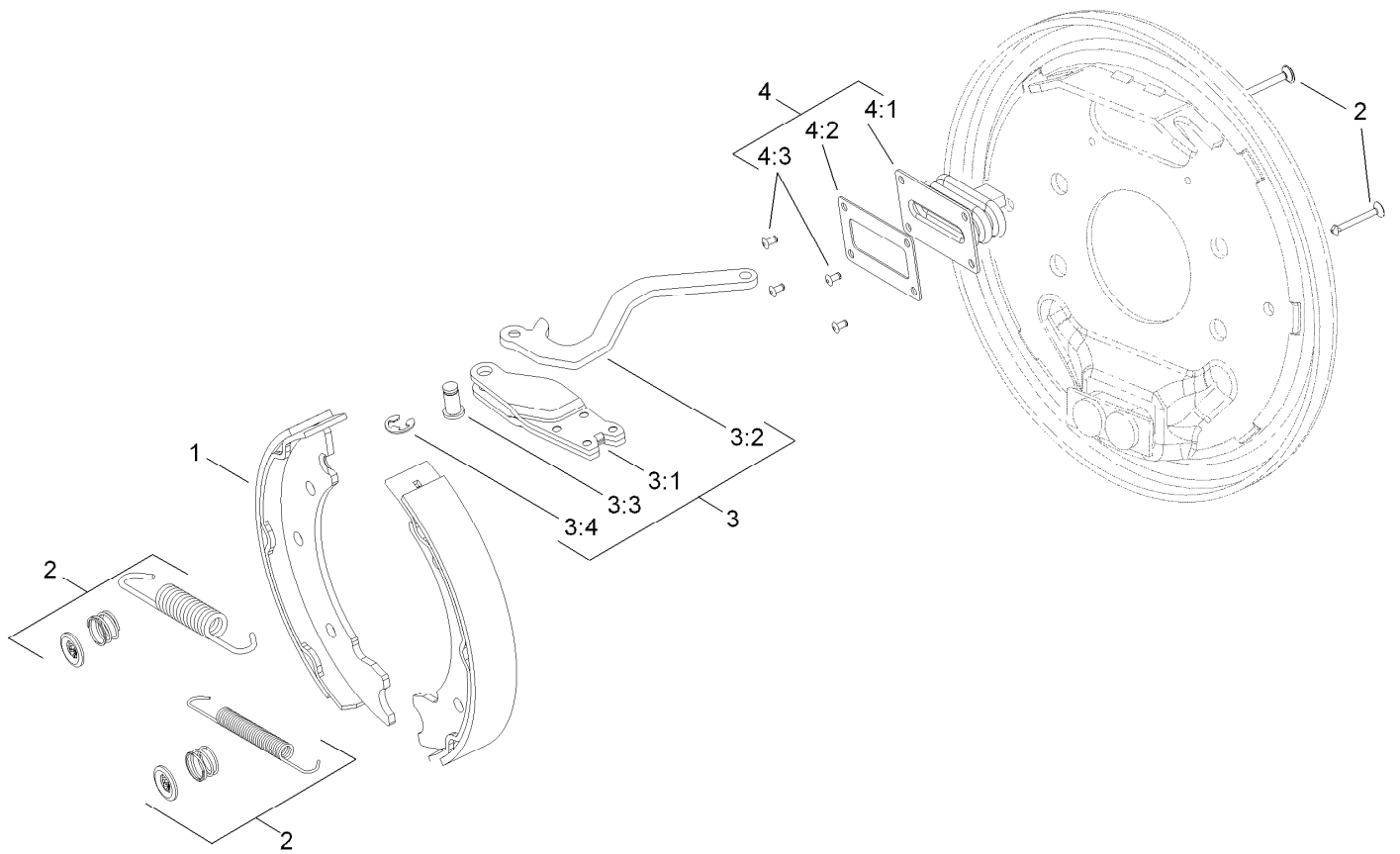
Brake Pedal Assembly

<i>Ref.</i>	<i>Part Number</i>	<i>Qty.</i>	<i>Description</i>	<i>Ref.</i>	<i>Part Number</i>	<i>Qty.</i>	<i>Description</i>
1	104-7201	1	Nut-Flange, NI	15	119-1414	2	Pin-Cotter, Locking
2	119-1403-03	1	Pedal-Brake	16	119-1415	2	Pin-Cotter, Locking
3	5-0652	2	Spacer	17	302-5	1	Fitting-Grease
4	115-8060	1	Clevis-Double	18	125-8775	2	Bushing-Flange
5	115-8059	1	Yoke-Cable	19	3290-221	1	Washer-Spring
6	283-14	2	Pin-Clevis	20	119-1388	1	Brake Pin ASM
7	117-3214	2	Cable-Brake	21	323-6	2	Screw-HH
8	119-1407	1	Pedal-Park	22	115-5300	1	Proximity Switch ASM
9	99-7140	1	Spring-Torsion	22:1	117-3207	2	Nut-Hex
10	323-12	1	Screw-HH	22:2	117-3208	2	Washer-Lock, Internal Tooth
11	104-8301	5	Nut-Flange, NI	23	52-2891	2	Bushing-Flanged, Nylon
12	3256-22	2	Washer-Flat	24	323-7	2	Screw-HH
13	119-1406	1	Detent-Brake	25	119-1400-03	1	Lever-Brake
14	119-1405	1	Rod-Brake Pawl				



Wheel and Brake Assembly

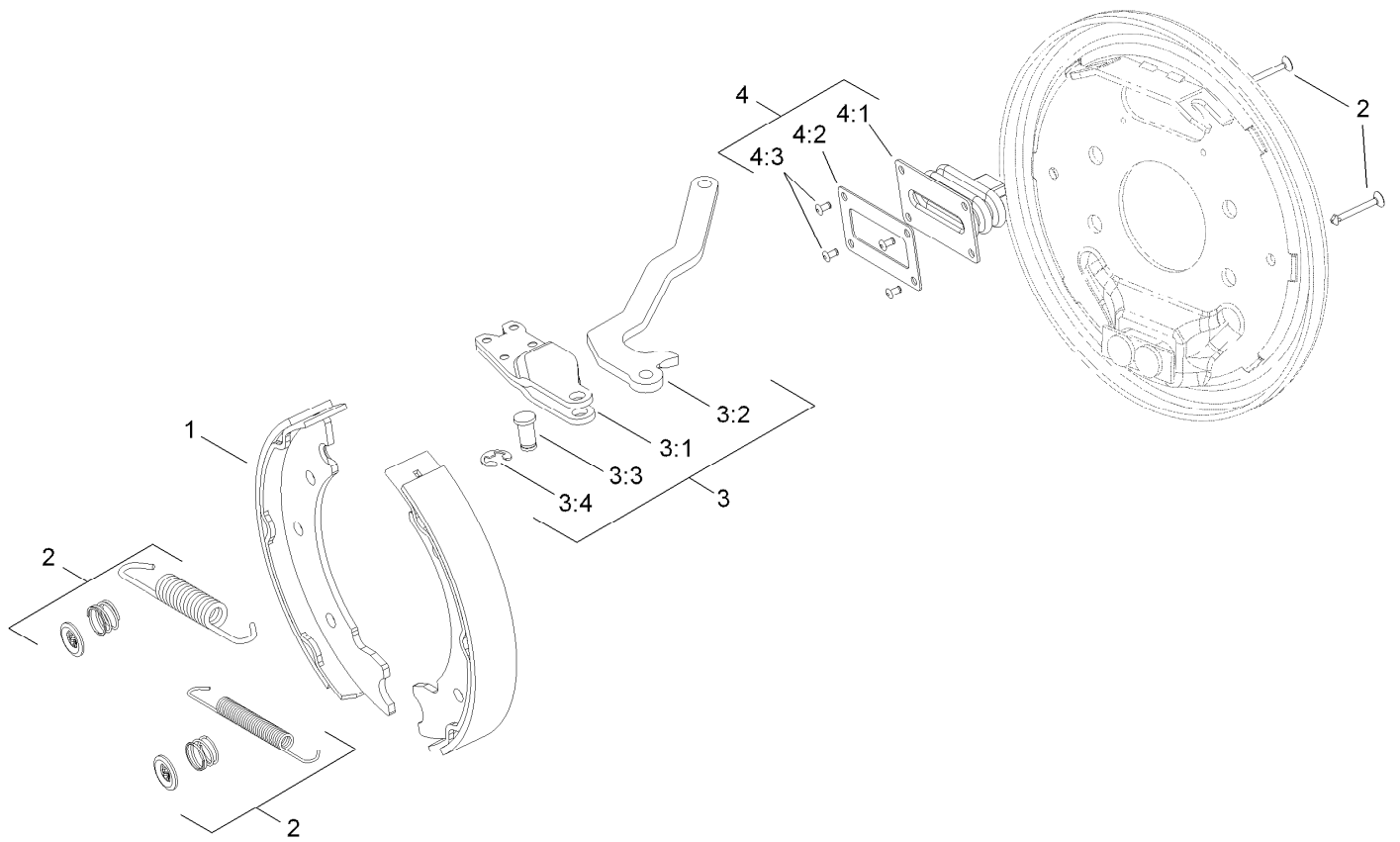
Ref.	Part Number	Qty.	Description	Ref.	Part Number	Qty.	Description
1	117-2900	4	Tire And Wheel ASM	9	120-0233	1	RH Brake ASM
1:1	117-2901	1	Tire	10	115-0132	2	Bracket-Spring, Return
1:2	232-27	1	Stem-Valve	11	87-4020	2	Spring-Extension
1:3	117-2902	1	Rim	12	119-1352-03	1	Bracket-Brake Cable, RH
2	120-0248-03	2	Adapter-Brake	13	325-2	4	Screw-HH
3	120-0235	1	LH Brake ASM	14	119-1449-03	1	Bracket-Brake Cable, LH
4	114-8864	2	Drum-Brake	15	323-5	4	Screw-HH
5	115-0199-03	2	Spacer-Wheel	16	323-6	8	Screw-HH
6	3253-21	8	Washer-Lock	17	3334-945	1	Tie-Cable
7	283-62	2	Pin-Clevis	18	3290-378	1	Tie-Cable
8	242-50	10	Nut-Lug	19	250-5	1	Tie-Cable



Left Hand Brake Assembly No. 120-0235

Ref.	Part Number	Qty.	Description
1	108-6981	1	Brake Shoe Kit
2	108-6983	1	Brake Hardware Kit
3	120-0236	1	LH Actuator Kit
3:1		1	Housing ●
3:2		1	Lever-LH ●
3:3		1	Pin-Pivot ●
3:4		1	E-Ring ●
4	110-8885	1	Dust Boot Kit
4:1		1	Boot ●
4:2		1	Plate-Back Up ●
4:3		2	Rivet ●

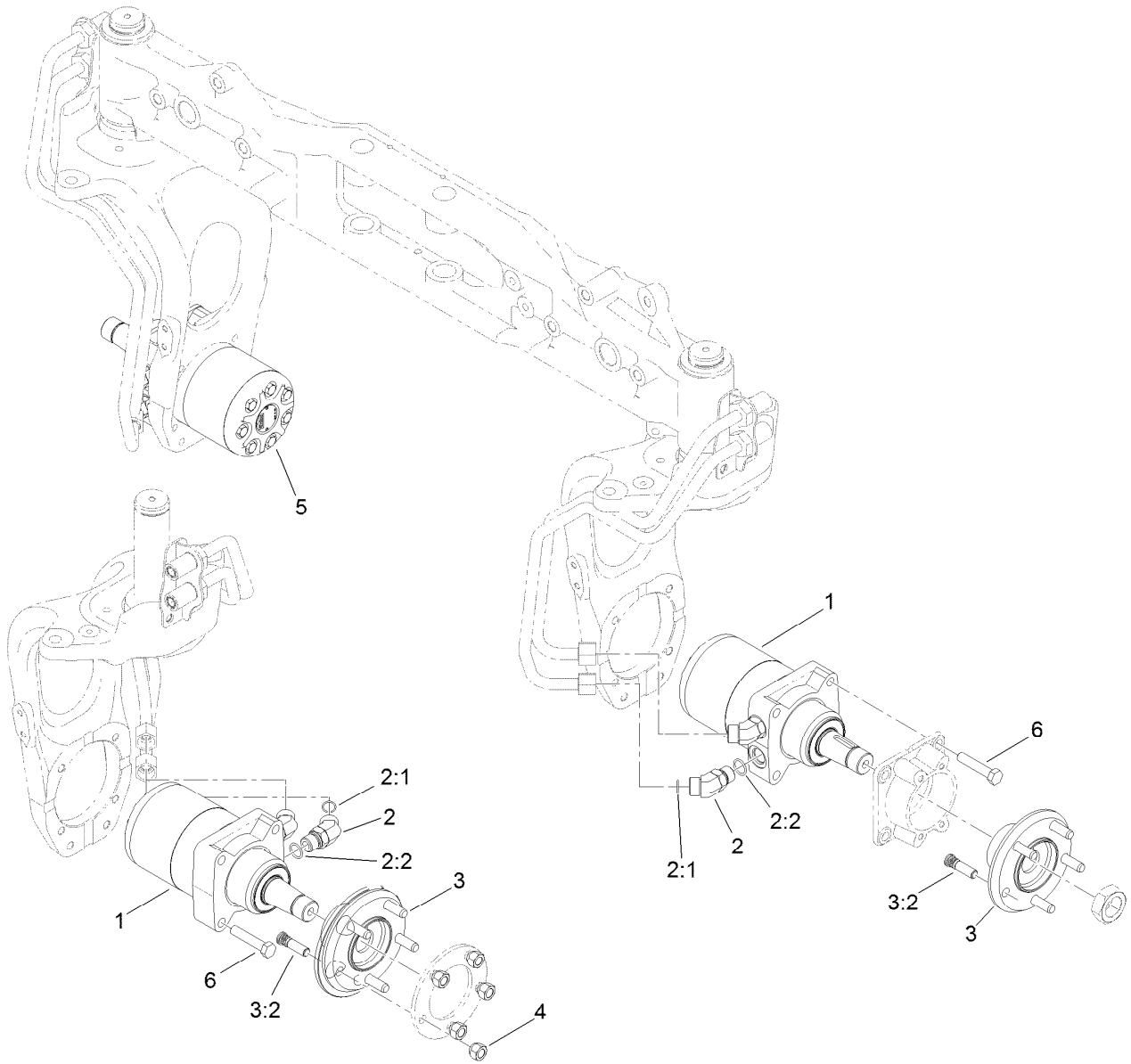
● Not serviced separately



Right Hand Brake Assembly No. 120-0233

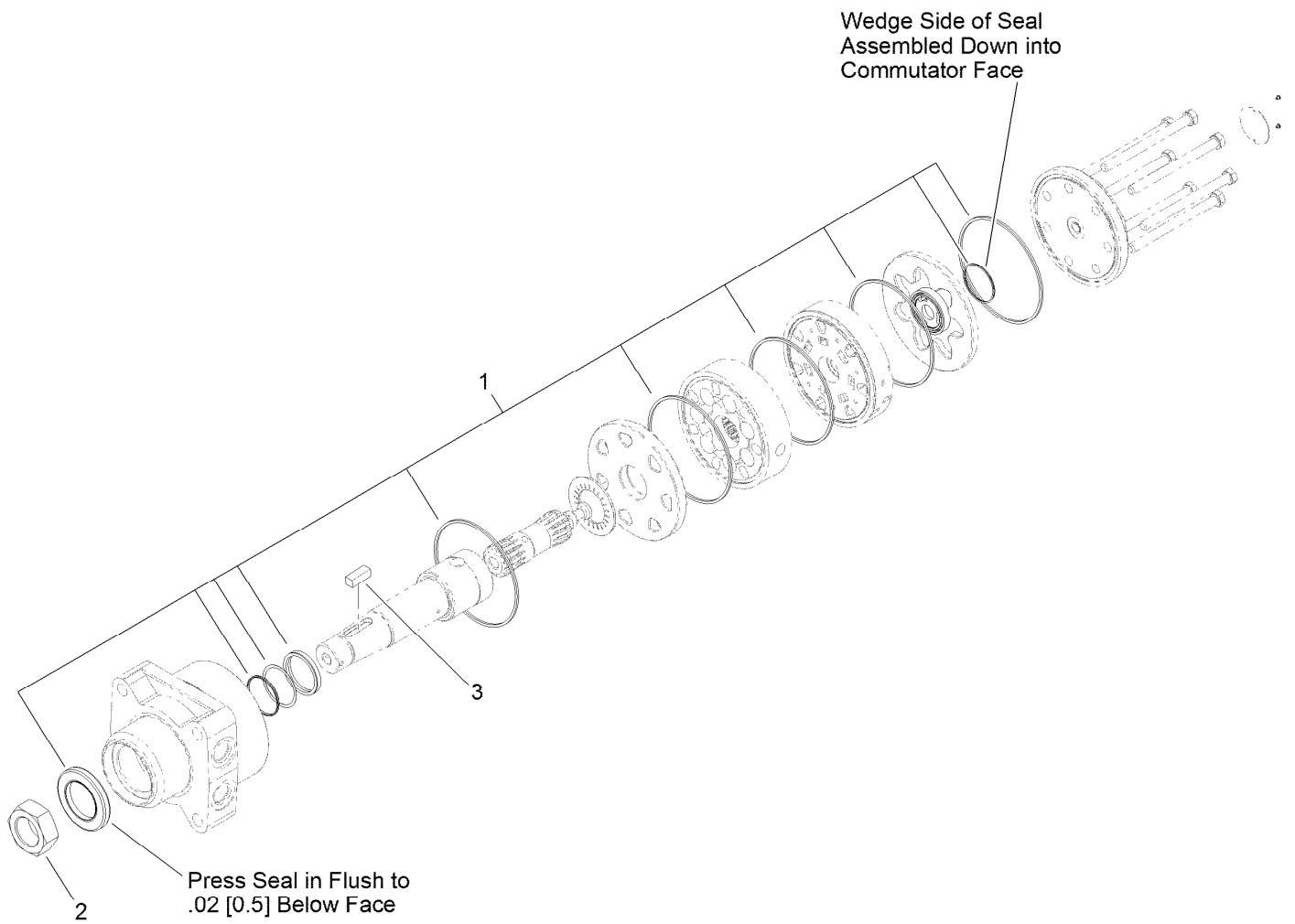
Ref.	Part Number	Qty.	Description
1	108-6981	1	Brake Shoe Kit
2	108-6983	1	Brake Hardware Kit
3	120-0234	1	RH Actuator Kit
3:1		1	Housing ●
3:2		1	Lever-RH ●
3:3		1	Pin-Pivot ●
3:4		1	E-Ring ●
4	110-8885	1	Dust Boot Kit
4:1		1	Boot ●
4:2		1	Plate-Back Up ●
4:3		2	Rivet ●

● Not serviced separately



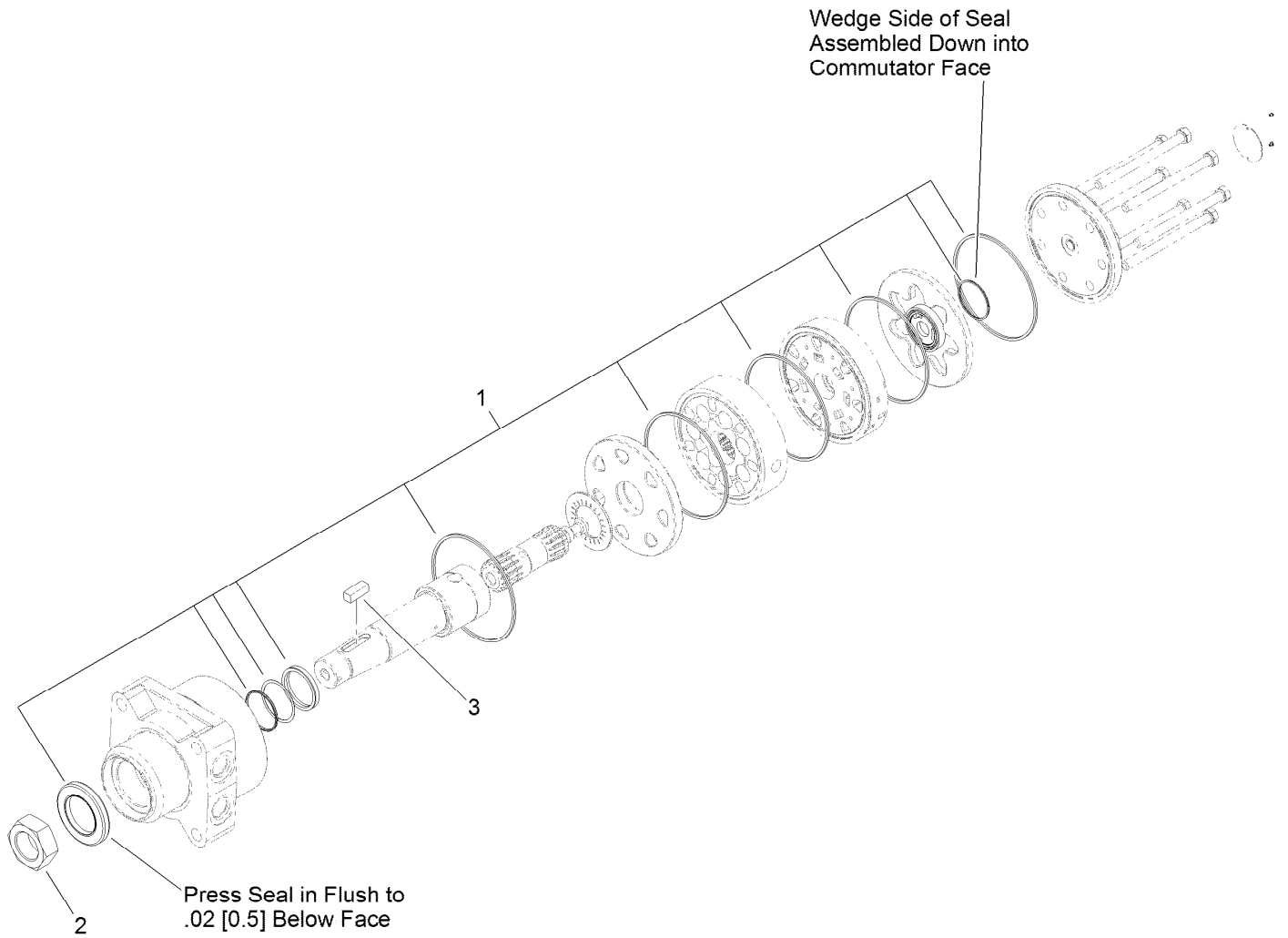
4 Wheel Drive Hydraulic Motor and Fitting Assembly

<i>Ref.</i>	<i>Part Number</i>	<i>Qty.</i>	<i>Description</i>
1	117-3284	2	HYD Motor ASM (280 CCW)
2	340-14	8	Fitting-HYD, 45 DEG
2:1	237-65	1	O-Ring
2:2	237-80	1	O-Ring
3	121-5492	4	Wheel Hub ASM
3:2	114-3918	5	Stud-Wheel
4	242-50	10	Nut-Lug
5	117-3285	2	HYD Motor ASM (280 CW)
6	325-34	16	Screw-HH



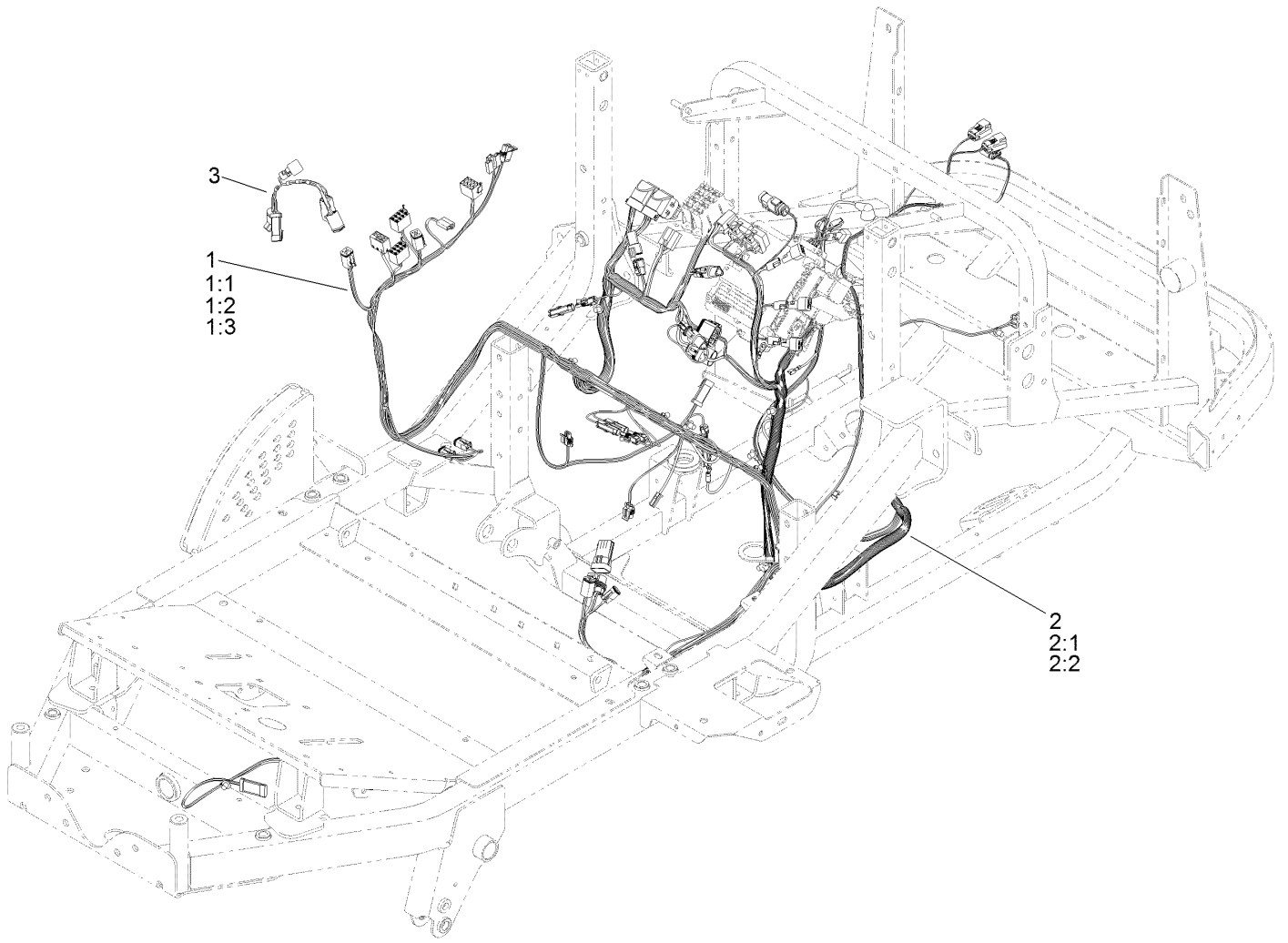
Hydraulic Motor Assembly No. 117-3284 (CCW)

<i>Ref.</i>	<i>Part Number</i>	<i>Qty.</i>	<i>Description</i>
1	107-9368	1	Seal Kit
2	117-3290	1	Nut-Hex
3	117-5198	1	Key-Square



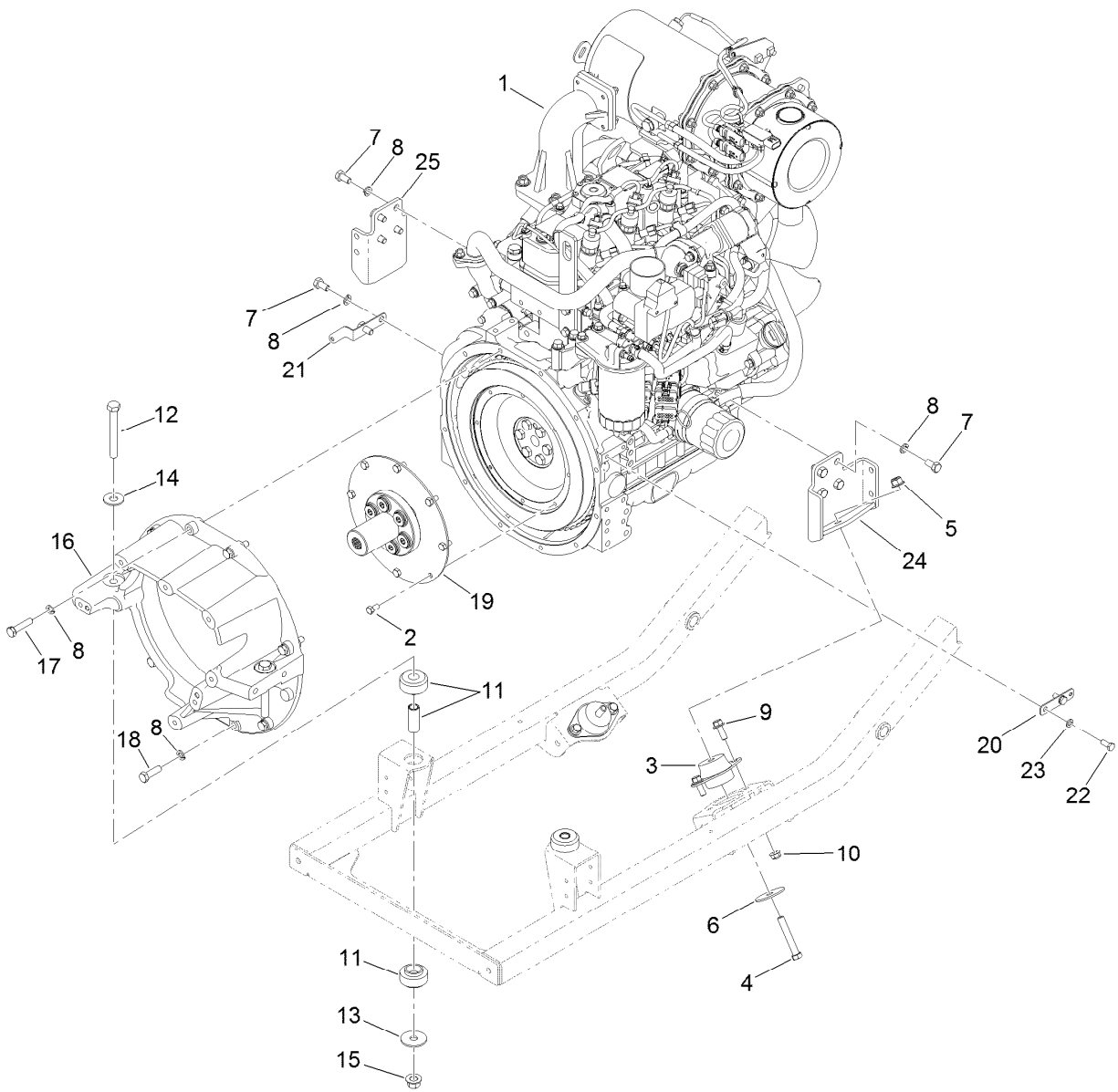
Hydraulic Motor Assembly No. 117-3285 (CW)

<i>Ref.</i>	<i>Part Number</i>	<i>Qty.</i>	<i>Description</i>
1	107-9368	1	Seal Kit
2	117-3290	1	Nut-Hex
3	117-5198	1	Key-Square



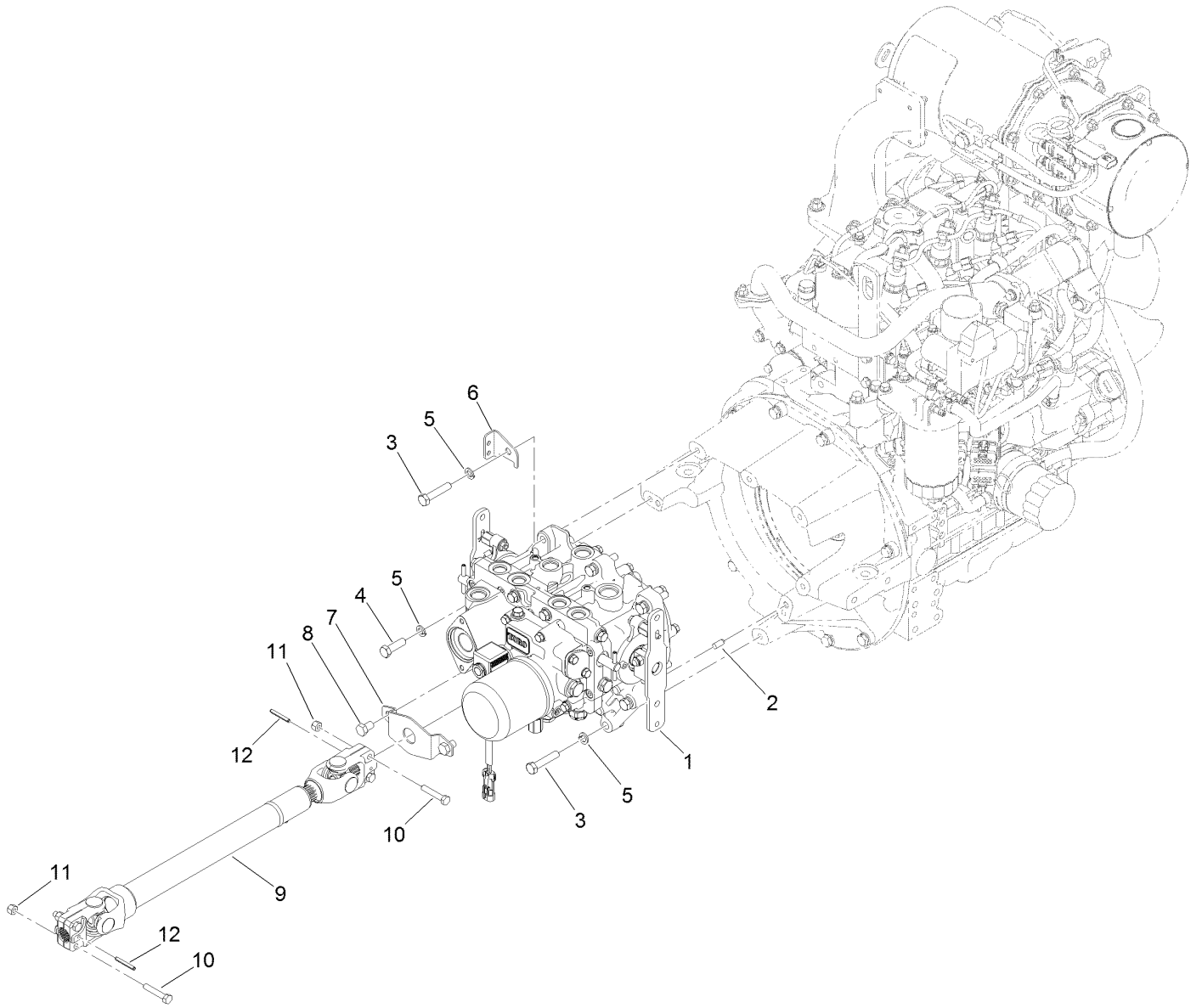
Electrical Assembly

<i>Ref.</i>	<i>Part Number</i>	<i>Qty.</i>	<i>Description</i>
1	119-4373	1	Harness-Platform
1:1	218-578	4	Fuse-Blade, 10 Amp
1:2	109355	1	Fuse-Blade, 15 Amp
1:3	114241	3	Fuse-Blade, 7.5 Amp
2	119-4375	1	Harness-Engine
2:1	109102	1	Fuse-Blade, 25 Amp
2:2	94-6710	1	Fuse-2 Amp
3	122-0579	1	Harness-Wire



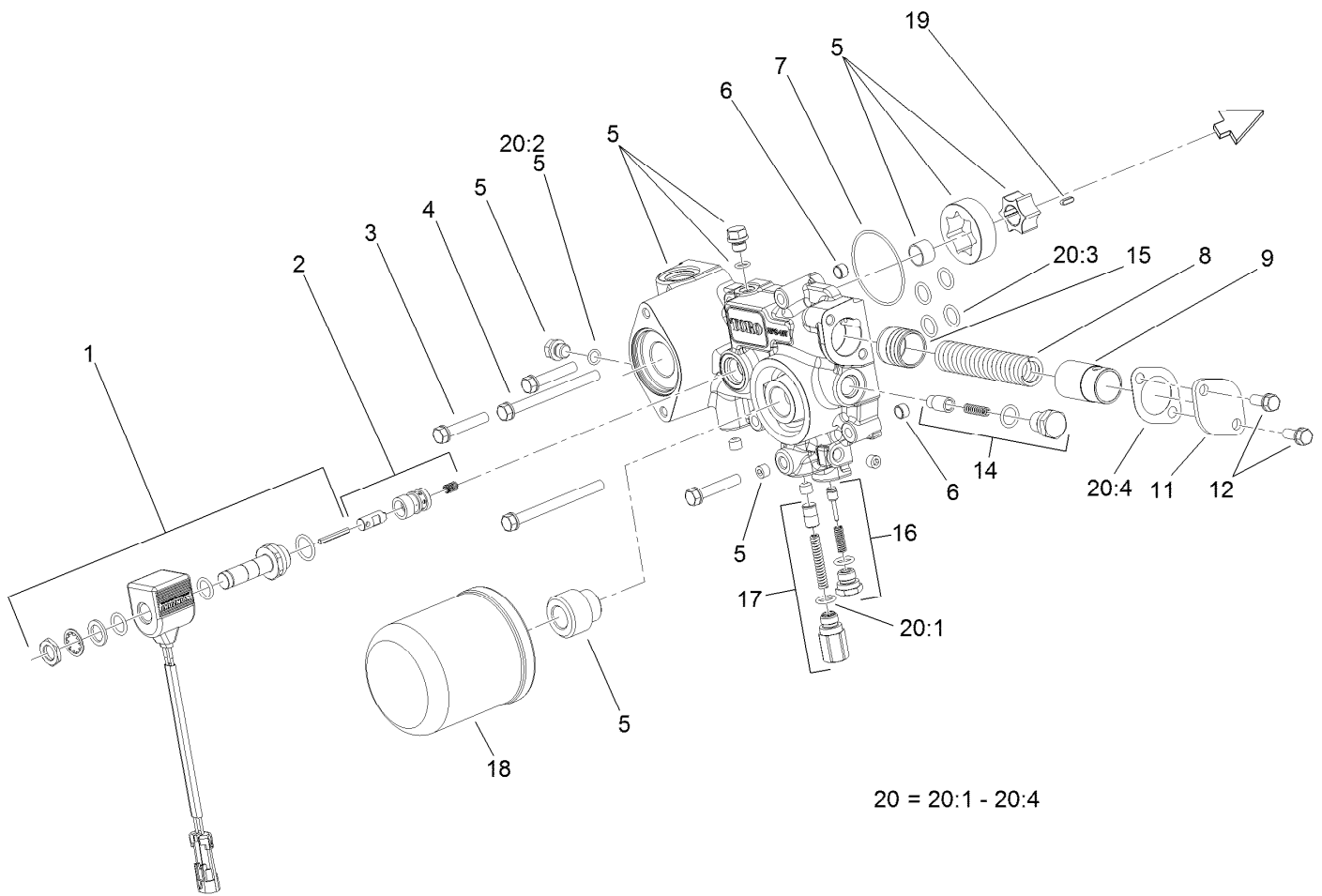
Engine Assembly

<i>Ref.</i>	<i>Part Number</i>	<i>Qty.</i>	<i>Description</i>	<i>Ref.</i>	<i>Part Number</i>	<i>Qty.</i>	<i>Description</i>
1	121-5399	1	Engine-Yanmar	14	3256-6	2	Washer-Flat
2	99-5132	8	Bolt	15	99-5107	2	Nut-Lock
3	53-9681	2	Mount-Engine	16	125-2836	1	Housing-Flywheel
4	324-11	2	Screw-HH	17	33115-045	7	Screw-HH
5	114-8417	2	Nut-HF, NI	18	33115-035	2	Screw-HH
6	87-5100	2	Washer-Snubbing	19	120-9131	1	Coupling-Flywheel
7	33115-020	10	Screw-HH	20	121-5636	1	Tab-Harness
8	48-9590	19	Washer-Lock	21	121-6580	1	Bracket-Harness
9	3234-42	4	Screw-HHF	22	33114-020	2	Screw-HH
10	104-8301	4	Nut-Flange, NI	23	3253-4	2	Washer-Lock
11	120-9168	2	Mount-Rubber	24	125-2841-03	1	Mount-LH
12	325-17	2	Screw-HH	25	125-4363-03	1	Mount
13	86-1990	2	Washer-Thrust				



Transmission Component Assembly

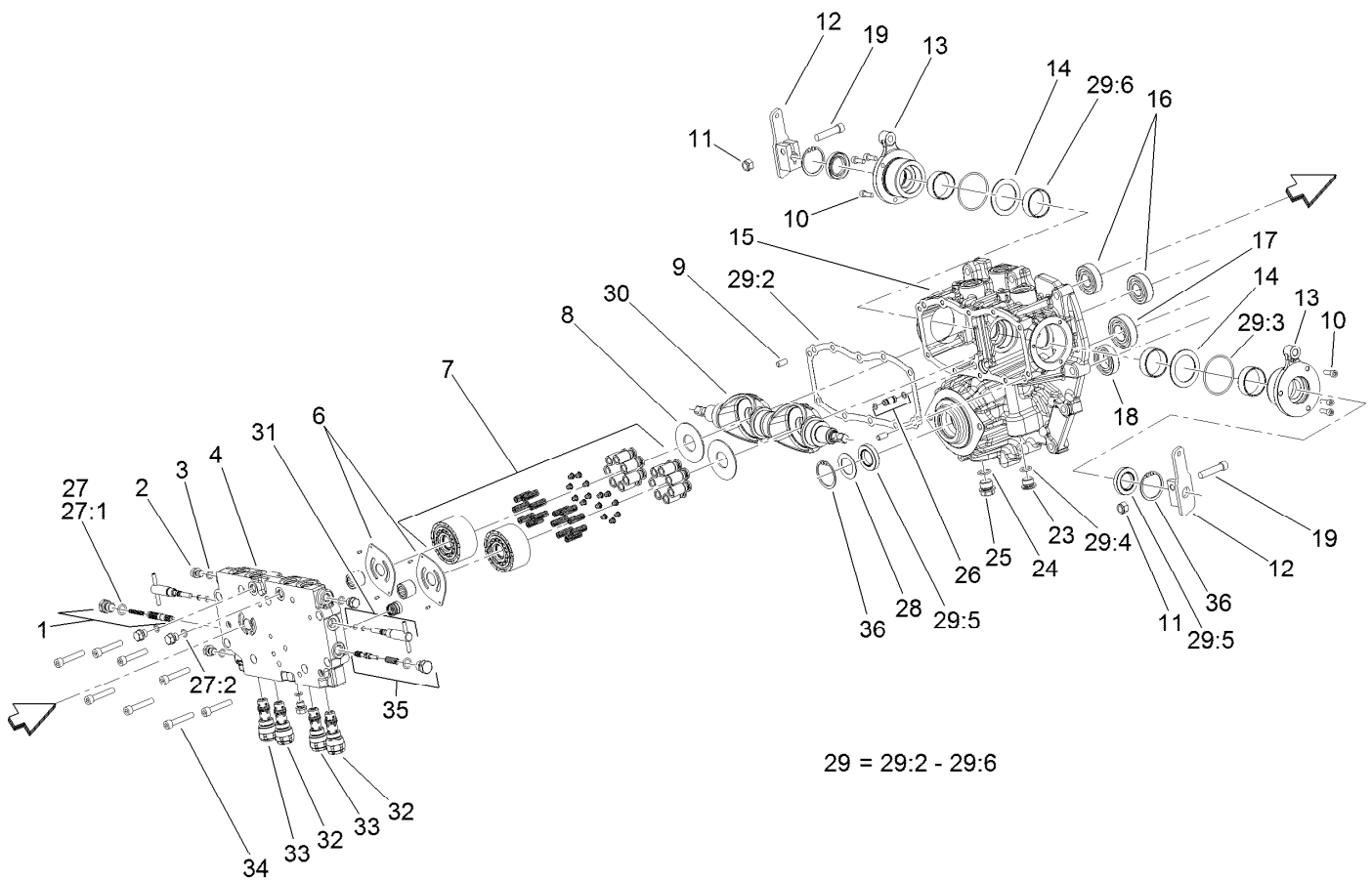
<i>Ref.</i>	<i>Part Number</i>	<i>Qty.</i>	<i>Description</i>
1	120-9140	1	Transmisson ASM
2	87-1910	2	Pin-Dowel
3	33115-050	6	Screw-HH
4	33115-035	1	Screw-HH
5	48-9590	7	Washer-Lock
6	120-0239	1	Support-Tube
7	114-4088	1	Shield-Seal
8	33115-016	2	Screw-HH
9	110-3575	1	Driveshaft ASM
10	322-9	4	Screw-HH
11	3296-29	4	Nut-Lock, NI
12	32121-34	2	Pin-Roll



Charge Pump Housing Assembly Transmission Assembly No. 120-9140

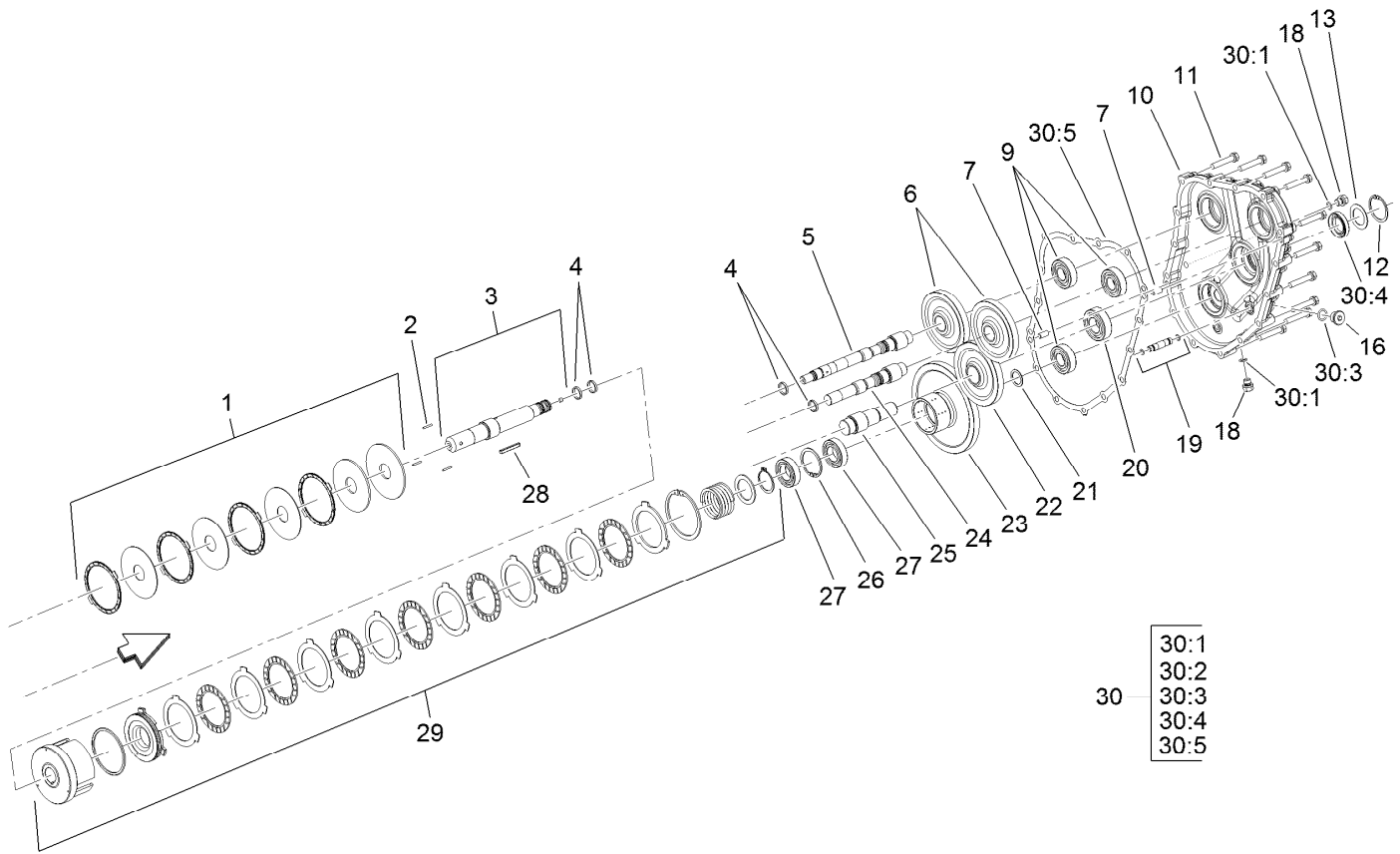
<i>Ref.</i>	<i>Part Number</i>	<i>Qty.</i>	<i>Description</i>
1	107-0851	1	Solenoid ASM
2	107-0850	1	Solenoid Valve ASM
3	107-0863	3	Bolt
4	107-0864	2	Bolt
5	107-0840	1	Pump Body ASM
6	107-0848	2	Pin
7	107-0856	1	O-Ring
8	107-0845	1	Spring
9	107-0844	1	Collar
11	107-0846	1	Cover
12	93-0457	2	Bolt And Washer ASM

<i>Ref.</i>	<i>Part Number</i>	<i>Qty.</i>	<i>Description</i>
14	107-0843	1	Filter Bypass Valve ASM
15	107-0818	1	Piston
16	120-5153	1	Charge Relief Valve ASM
17	107-0841	1	Pressure Valve ASM
18	108-5194	1	Filter-Oil, HYD
19	107-0865	1	Key
20	107-0855	1	Charge Pump Seal Kit
20:1	93-0418	2	O-Ring
20:2	107-0817	2	O Ring-Plug
20:3	104-3298	6	Packing
20:4	107-0847	1	Gasket



Center Section Assembly Transmission Assembly No. 120-9140

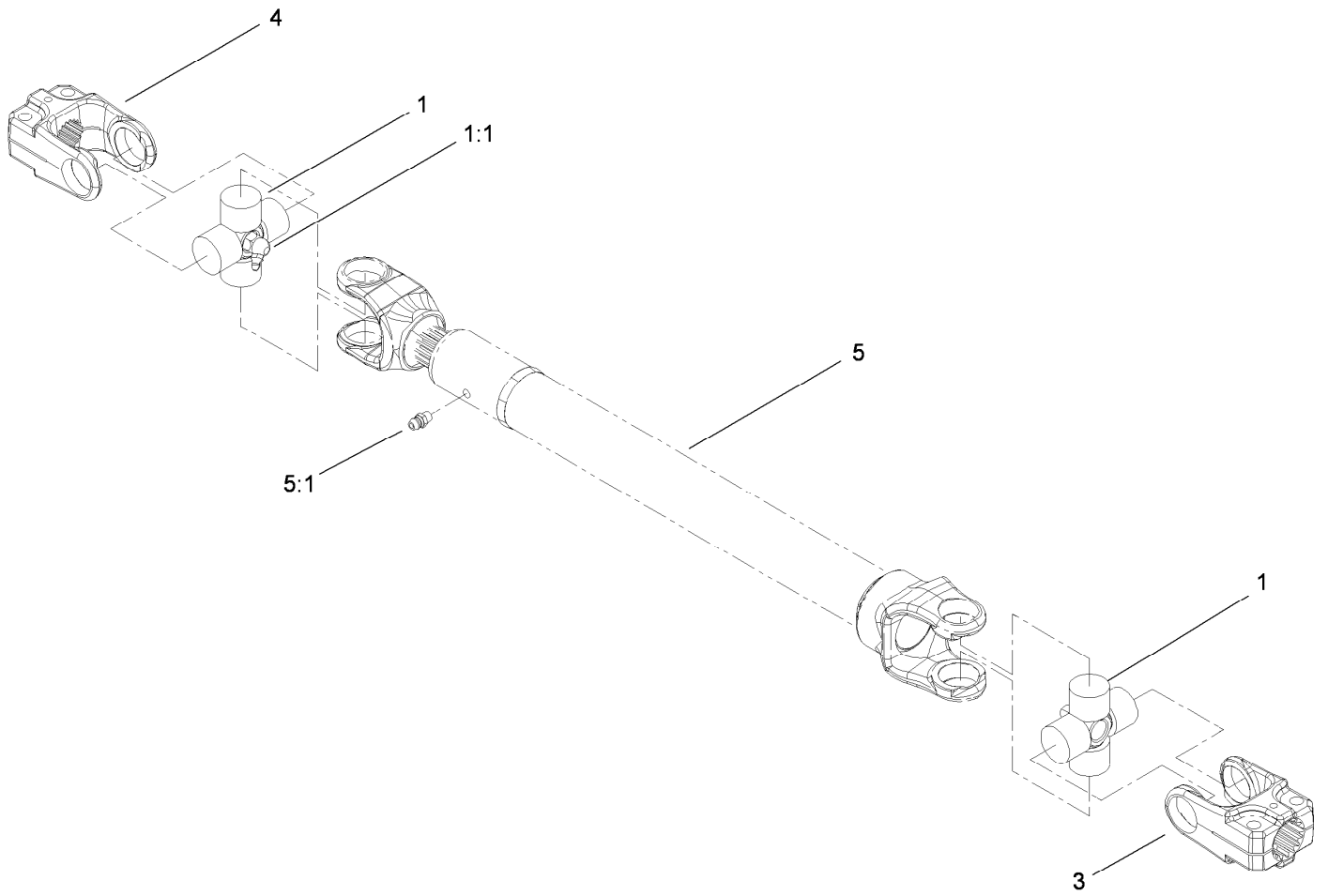
<i>Ref.</i>	<i>Part Number</i>	<i>Qty.</i>	<i>Description</i>	<i>Ref.</i>	<i>Part Number</i>	<i>Qty.</i>	<i>Description</i>
1	107-0807	1	Valve-Flushing, RH	25	107-0867	1	Plug
2	107-0857	6	Plug	26	107-0812	1	Pipe
3	107-0817	6	O Ring-Plug	27	107-0852	1	Center Case Seal Kit
4	120-5150	1	Center Case ASM	27:1	93-0418	2	O-Ring
6	107-0805	2	Plate-Valve	27:2	107-0817	6	O Ring-Plug
7	107-0824	2	Cylinder Block ASM	28	107-0813	1	Spacer
8	107-0830	2	Plate-Thrust	29	107-0853	1	Pump Housing Seal Kit
9	92-0765	4	Pin-Parallel	29:2	107-0810	1	Gasket-Case, Center
10	107-0859	6	Bolt	29:3	107-0817	2	O Ring-Plug
11	120-6681	2	U-Nut	29:4	104-3298	1	Packing
12	131-5505	2	Arm-Control	29:5	107-0814	3	Seal
13	107-0832	2	Side Cover ASM	29:6	107-0825	4	Ring-Seal
14	107-0829	2	Washer	30	120-6679	2	Plate-Swash
15	120-5151	1	Pump Housing ASM	31	107-0808	2	Valve-Bypass
16	107-0826	2	Bearing	32	120-6754	2	Valve-Rear
17	107-0821	1	Bearing	33	107-0803	2	Valve-Front
18	107-0838	1	Bearing	34	107-0863	8	Bolt
19	120-6682	2	Bolt	35	107-0806	1	Valve-Flushing, LH
23	107-0861	1	Plug-NPTF	36	92-0757	2	Ring-Snap
24	237-79	1	O-Ring				



Gear Case and Clutch Assembly Transmission Assembly No. 120-9140

<i>Ref.</i>	<i>Part Number</i>	<i>Qty.</i>	<i>Description</i>	<i>Ref.</i>	<i>Part Number</i>	<i>Qty.</i>	<i>Description</i>
1	107-0839	1	PTO Brake ASM	21	107-0836	1	Spacer
2	107-0837	3	Rod-Push	22	107-0820	1	Gear-Input
3	107-0833	1	PTO Shaft ASM	23	107-0834	1	Gear-PTO
4	107-0825	2	Ring-Seal	24	107-0822	1	Shaft-Pump
5	107-0827	1	Shaft-Pump	25	107-0819	1	Shaft-Input
6	107-0823	2	Gear-Pump	26	92-0758	1	Ring-Snap
7	92-0765	4	Pin-Parallel	27	107-0838	3	Bearing
9	107-0826	4	Bearing	28	107-0866	1	Key
10	120-5152	1	Housing-Case, Gear	29	107-0835	1	Clutch Cylinder ASM
11	107-0863	13	Bolt	30	107-0854	1	Gear Housing Seal Kit
12	92-0757	1	Ring-Snap	30:1	107-0817	2	O Ring-Plug
13	107-0813	1	Spacer	30:2		2	O-Ring ●
16	107-0861	1	Plug-NPTF	30:3	104-3298	1	Packing
18	107-0857	6	Plug	30:4	107-0814	1	Seal
19	107-0811	1	Pipe	30:5	107-0816	1	Gasket-Housing, Gear
20	107-0821	2	Bearing				

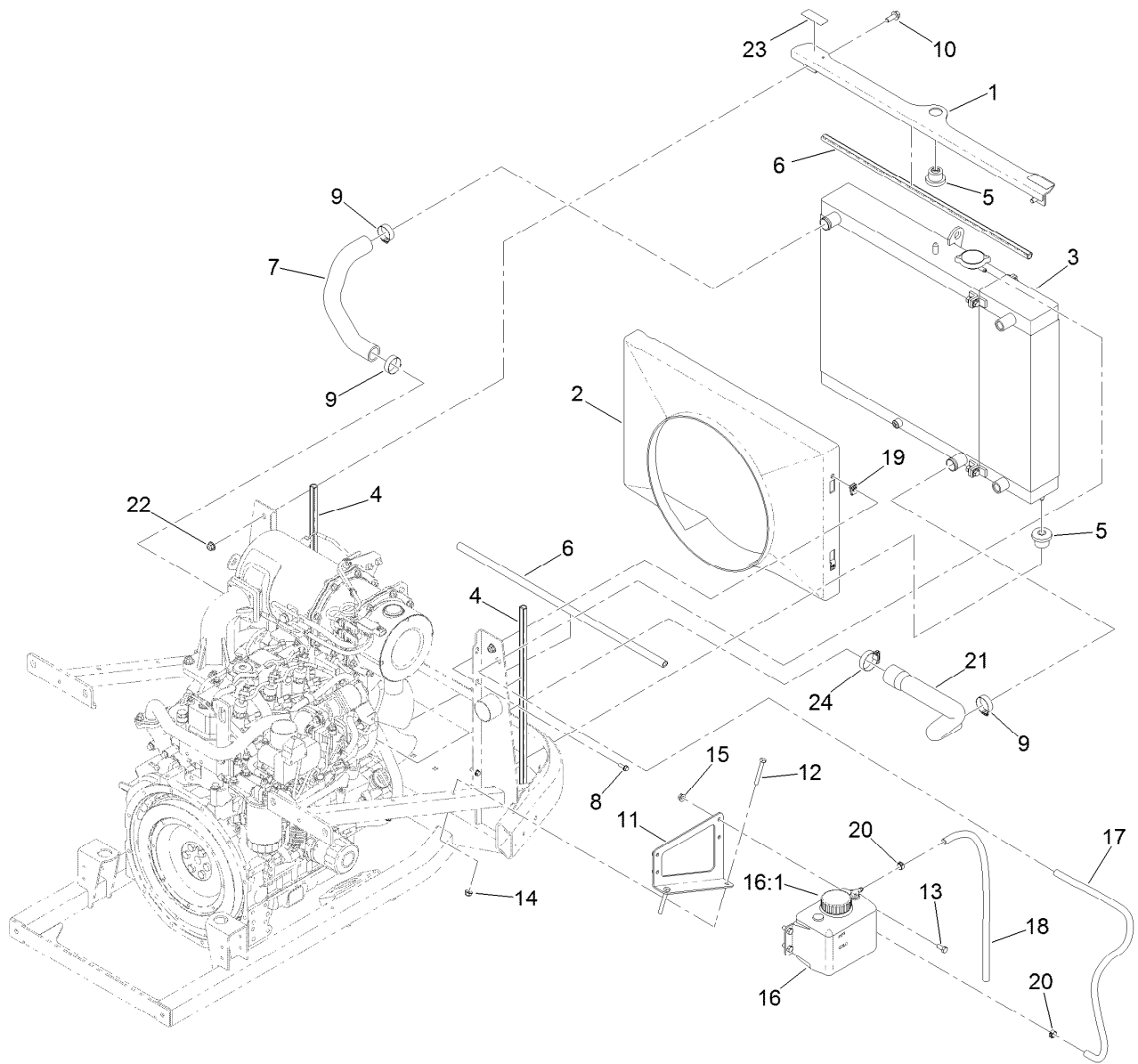
● Not serviced separately



Driveshaft Assembly No. 110-3575

<i>Ref.</i>	<i>Part Number</i>	<i>Qty.</i>	<i>Description</i>
1	112-1687	2	Cross And Bearing Kit
1:1	62-3820	1	Fitting-Grease
3	54-9040	1	Yoke-End
4	54-9090	1	Yoke-End
5		1	Tube-Yoke, Slip ●
5:1	302-22	1	Fitting-Grease

● Not serviced separately

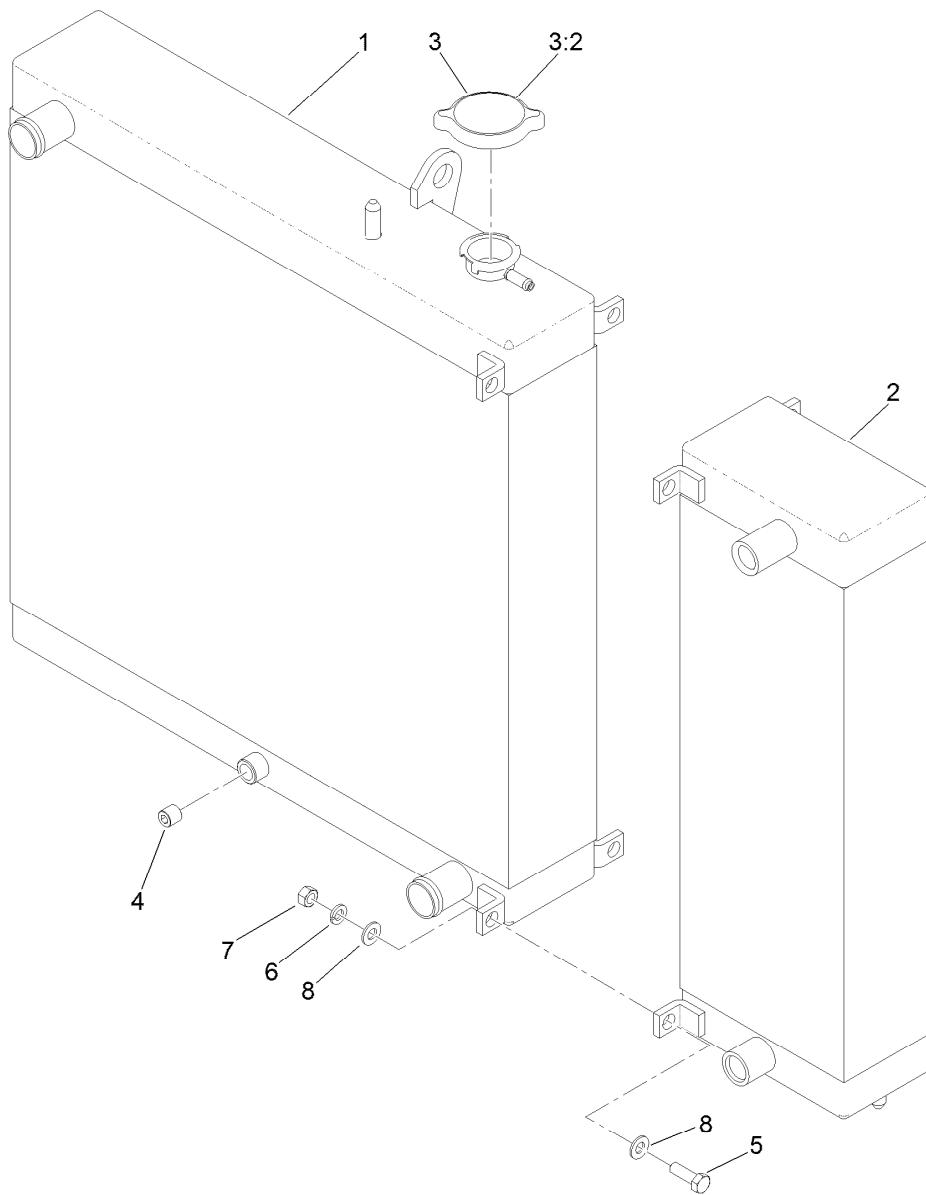


Radiator Component Assembly

Ref.	Part Number	Qty.	Description	Ref.	Part Number	Qty.	Description
1	125-2838-03	1	Support-Radiator	14	104-8300	2	Nut-Flange, NI
2	125-2840	1	Shroud-Fan	15	32128-25	4	Nut-HF
3		1	Radiator/Cooler ASM ■●	16	120-5573	1	Coolant Reservoir ASM
4	119-1426	2	Seal-Bulb	16:1	87-7050	1	Cap-Reservoir
5	119-1422	3	Mount-Isolator	17	110-3257	1	Hose-Fuel
6	119-1427	2	Seal-Bulb	18	110-6187	1	Hose-Fuel
7	125-2846	1	Hose-Radiator, Upper	19	107069	4	Clip
8	32105-15	4	Screw-HWH	20	92-2379	2	Clamp-Hose
9	2412-34	3	Clamp-Hose	21	125-2845	1	Hose-Radiator, Lower
10	3234-42	2	Screw-HHF	22	104-8301	2	Nut-Flange, NI
11	125-2816-03	1	Bracket-Overflow	23	117-4766	2	Decal-Warning, Fan
12	322-11	2	Screw-HH	24	2412-111	1	Clamp
13	322-3	4	Screw-HH				

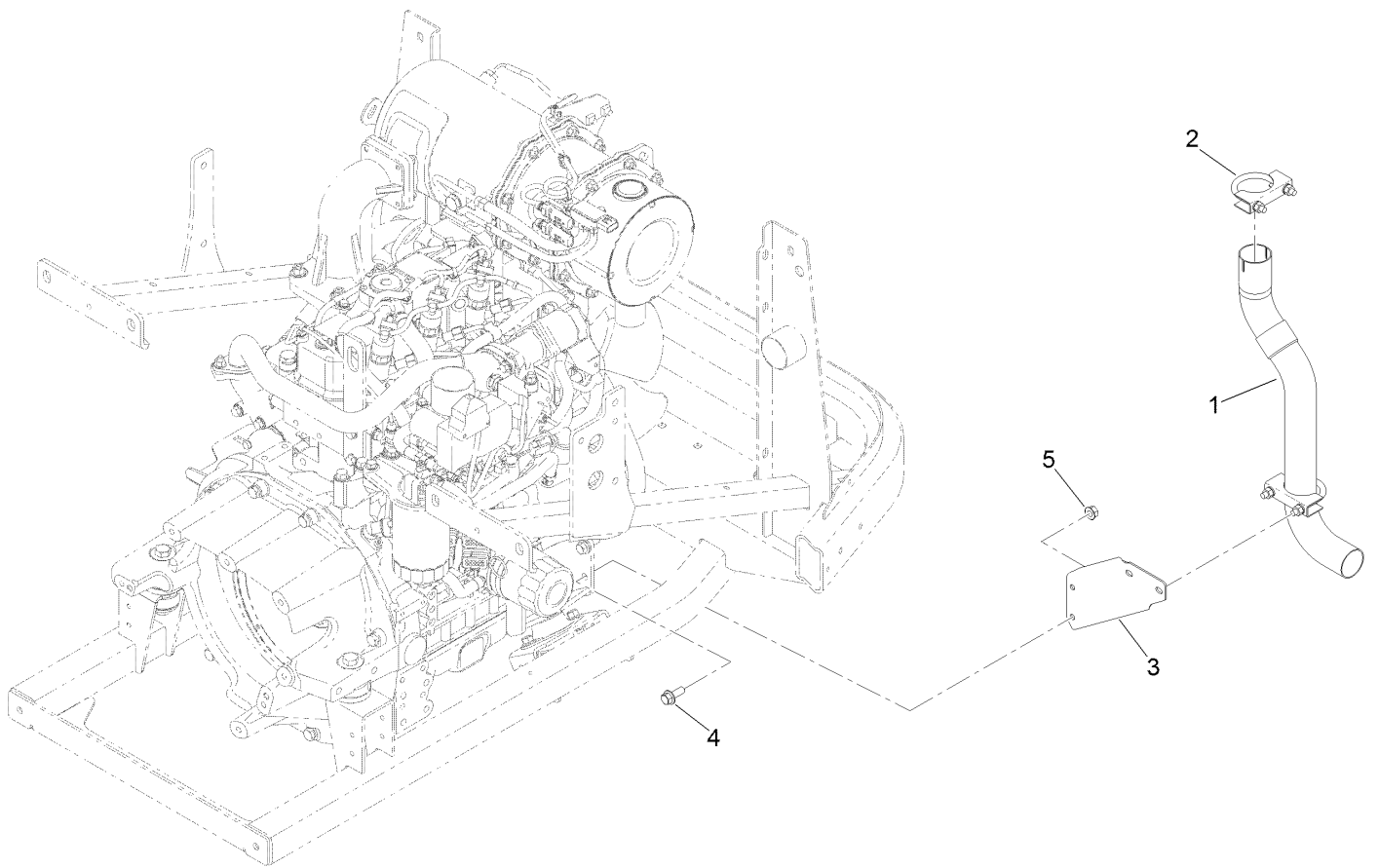
● See following pages

■ Not serviced separately



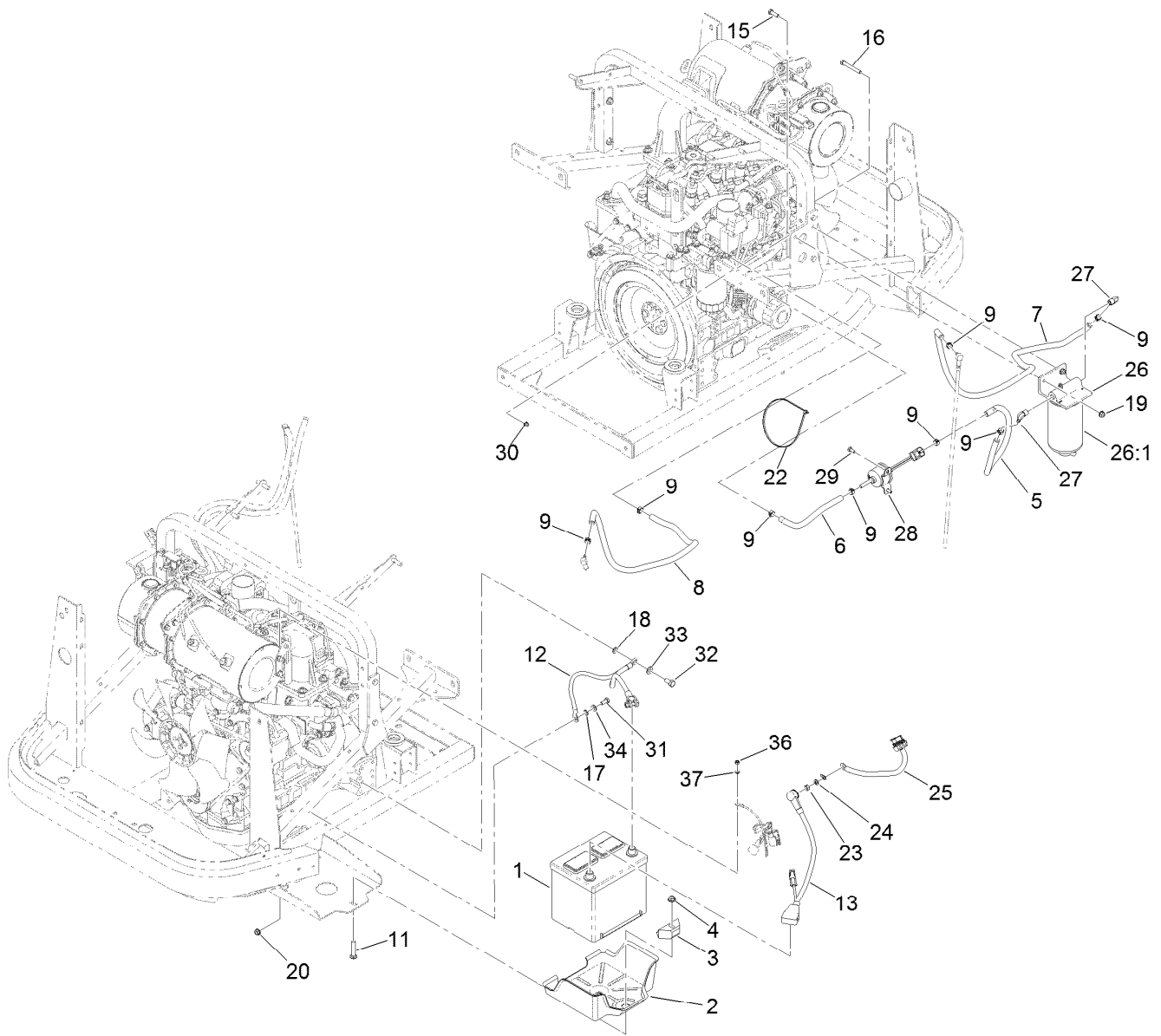
Radiator and Cooler Assembly

<i>Ref.</i>	<i>Part Number</i>	<i>Qty.</i>	<i>Description</i>
1	125-4354	1	Radiator
2	125-4355	1	Oil Cooler
3	119-1430	1	Radiator Cap ASM
3:2	117-3276	1	Decal-Danger
4	99-8551	1	Plug-Pipe
5	322-5	4	Screw-HH
6	3253-4	4	Washer-Lock
7	3217-6	4	Nut-Hex
8	3256-23	4	Washer-Flat



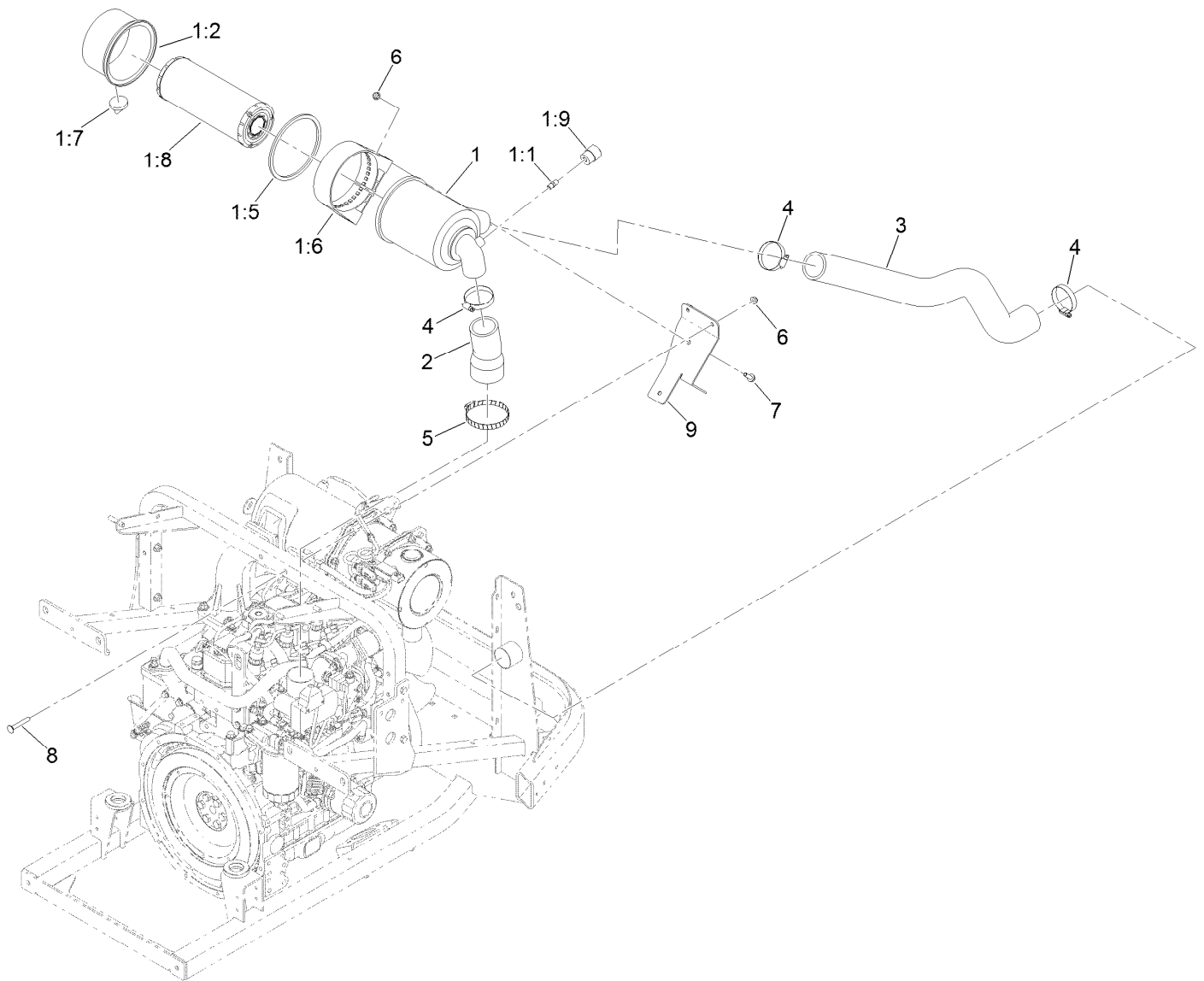
Muffler Assembly

<i>Ref.</i>	<i>Part Number</i>	<i>Qty.</i>	<i>Description</i>
1	125-2844	1	Pipe-Exhaust
2	18-2130	2	Clamp
3	127-4860-03	1	Bracket-Exhaust
4	3234-42	2	Screw-HHF
5	32128-21	2	Nut-HF



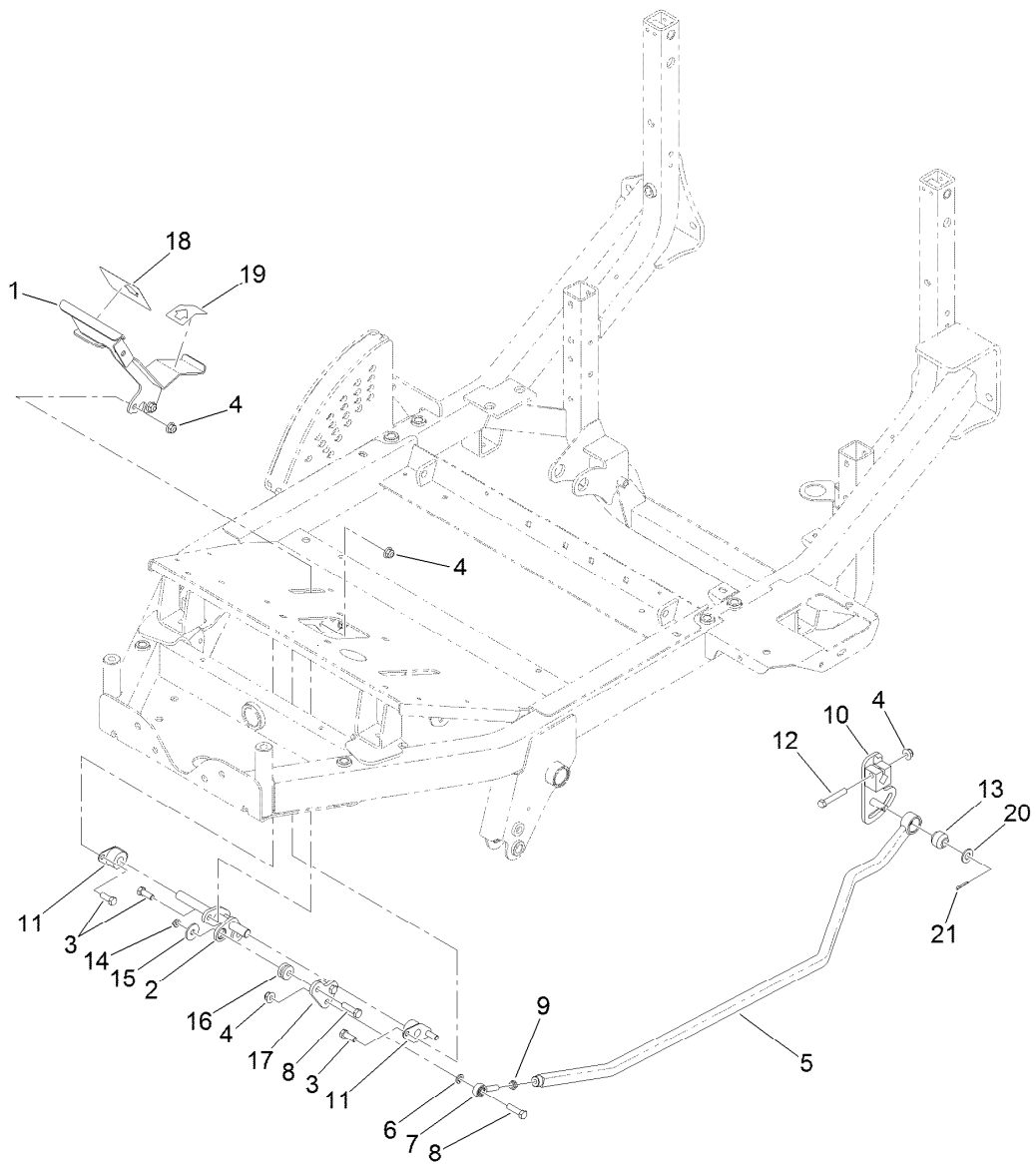
Battery and Fuel Delivery Assembly

<i>Ref.</i>	<i>Part Number</i>	<i>Qty.</i>	<i>Description</i>	<i>Ref.</i>	<i>Part Number</i>	<i>Qty.</i>	<i>Description</i>
1	106-5187	1	Battery-Dry	20	32128-25	1	Nut-HF
2	127-4866	1	Tray-Battery	22	3290-379	1	Tie-Cable
3	66-2490	1	Retainer-Battery	23	33014-00	1	Nut-Hex
4	104-8301	1	Nut-Flange, NI	24	3253-4	1	Washer-Lock
5	110-4109	1	Hose-Fuel	25	99-3441	1	Harness-Wire, Fusible Link
6	110-4124	1	Hose-Fuel	26	125-2914	1	Separator Filter ASM
7	109-0277	1	Hose-Fuel	26:1	125-2915	1	Filter-Spin On
8	110-9662	1	Hose-Fuel	27	353-781	2	Fitting-Elbow
9	92-2379	8	Clamp-Hose	28	121-5613	1	Pump-Fuel, Electric
11	3231-6	1	Screw-CARR	29	321-3	2	Screw-HH
12	122-0266	1	Cable-Battery, Negative	30	104-7201	2	Nut-Flange, NI
13	119-4378	1	Cable-Battery, Positive	31	322-3	1	Screw-HH
15	322-5	1	Screw-HH	32	33115-020	1	Screw-HH
16	322-12	1	Screw-HH	33	3256-24	1	Washer-Flat
17	3255-8	1	Washer-Lock	34	3256-23	1	Washer-Flat
18	3255-9	1	Washer-Lock	36	33013-00	1	Nut-Hex
19	104-8300	2	Nut-Flange, NI	37	43-5930	1	Washer-Lock, Spring



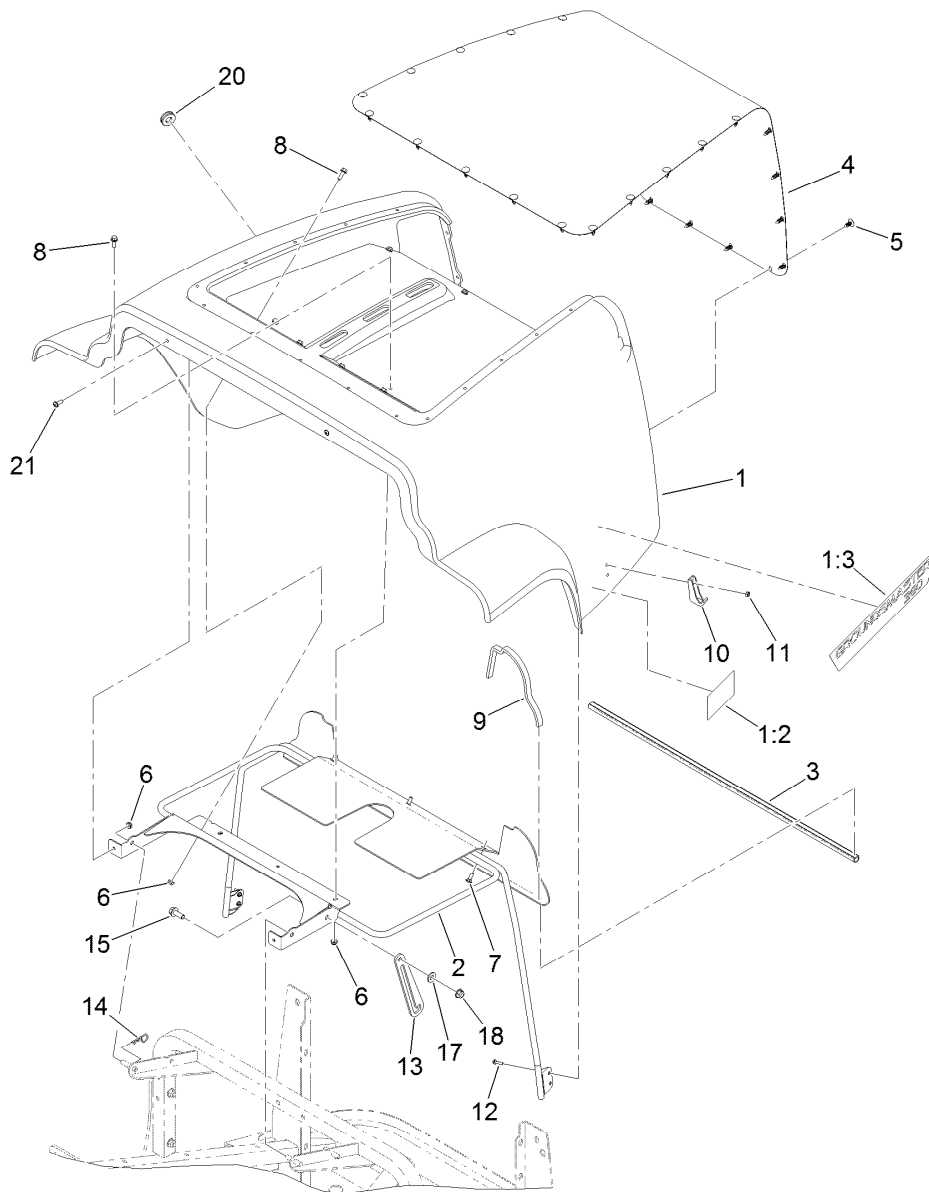
Air Cleaner Assembly

<i>Ref.</i>	<i>Part Number</i>	<i>Qty.</i>	<i>Description</i>	<i>Ref.</i>	<i>Part Number</i>	<i>Qty.</i>	<i>Description</i>
1	104-3428	1	Air Cleaner ASM	2	125-2848	1	Hose-Inlet, Air
1:1	105-4292	1	Nipple-Pipe	3	125-2849	1	Hose-Draw, Air
1:2	104-0497	1	Cover	4	2412-130	3	Clamp-Hose
1:5	104-4897	1	Gasket	5	2412-110	1	Clamp-Hose
1:6	98-4525	1	Bracket-Cleaner, Air	6	104-8300	4	Nut-Flange, NI
1:7	104-0498	1	Valve-Vacuator	7	3234-17	2	Screw-HHF
1:8	108-3810	1	Filter-Air	8	3230-7	2	Bolt-CARR
1:9	93-9164	1	Indicator-Mini	9	125-2847-03	1	Bracket-Cleaner, Air



Traction Pedal Assembly

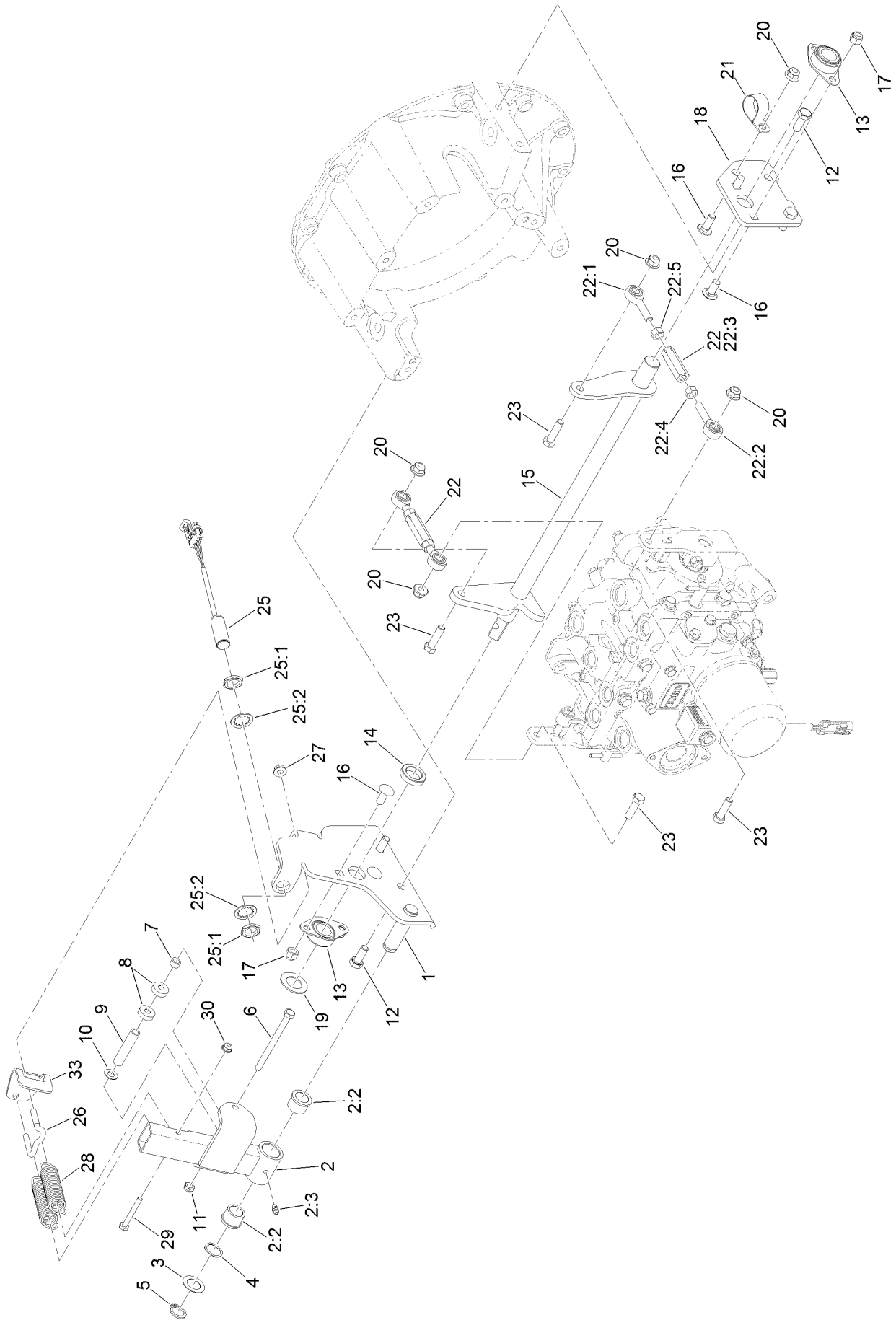
<i>Ref.</i>	<i>Part Number</i>	<i>Qty.</i>	<i>Description</i>	<i>Ref.</i>	<i>Part Number</i>	<i>Qty.</i>	<i>Description</i>
1	117-3070-01	1	Pedal	12	323-11	1	Screw-HH
2	125-4402	1	Pivot-Pedal, Isolated	13	23-2270	1	Bushing-Rubber
3	323-6	6	Screw-HH	14	3296-59	2	Nut-Lock, NI
4	104-8301	8	Nut-Flange, NI	15	93-8806	2	Washer-Hardened
5	130-4763-03	1	Traction Rod ASM	16	63-9750	2	Mount
6	3253-21	1	Washer-Lock	17	125-4401	1	Plate-Linkage, Traction
7	2411-36	1	Bearing-End, Rod	18	94-3307	1	Pad-Pedal, Traction
8	323-29	3	Screw-HH	19	94-3308	1	Pad-Pedal, Traction
9	3220-3	1	Nut-HJ	20	3256-26	1	Washer-Flat
10	130-4760-03	1	Lever-Traction	21	3272-10	1	Pin-Cotter
11	256-236	2	Bearing-Mount, Flange				



Hood Assembly

Ref.	Part Number	Qty.	Description	Ref.	Part Number	Qty.	Description
1	127-4879	1	Hood ASM	10	103-2897	2	Latch-Catch
1:2	117-3270	2	Decal-Danger	11	3296-2	4	Nut-Lock, NI
1:3	117-3279	2	Decal-Hood	12	32105-13	4	Screw-HWH
2	125-9228-03	1	Hood Mount ASM	13	125-2899-03	1	Rod-Prop
3	115-0423	1	Seal-Bulb	14	9335054	1	Pin-Hair
4	125-2881-03	1	Screen-Hood	15	3234-42	1	Screw-HHF
5	117-2382	27	Plug-Plastic	17	66-2920	1	Washer-Friction
6	104-7201	11	Nut-Flange, NI	18	104-8301	1	Nut-Flange, NI
7	3229-1	3	Bolt-CARR	20	104-1453	1	Grommet
8	3234-4	6	Screw-HHF	21	92-3911	2	Screw-HSBH
9	125-4449	2	Seal-Foam				

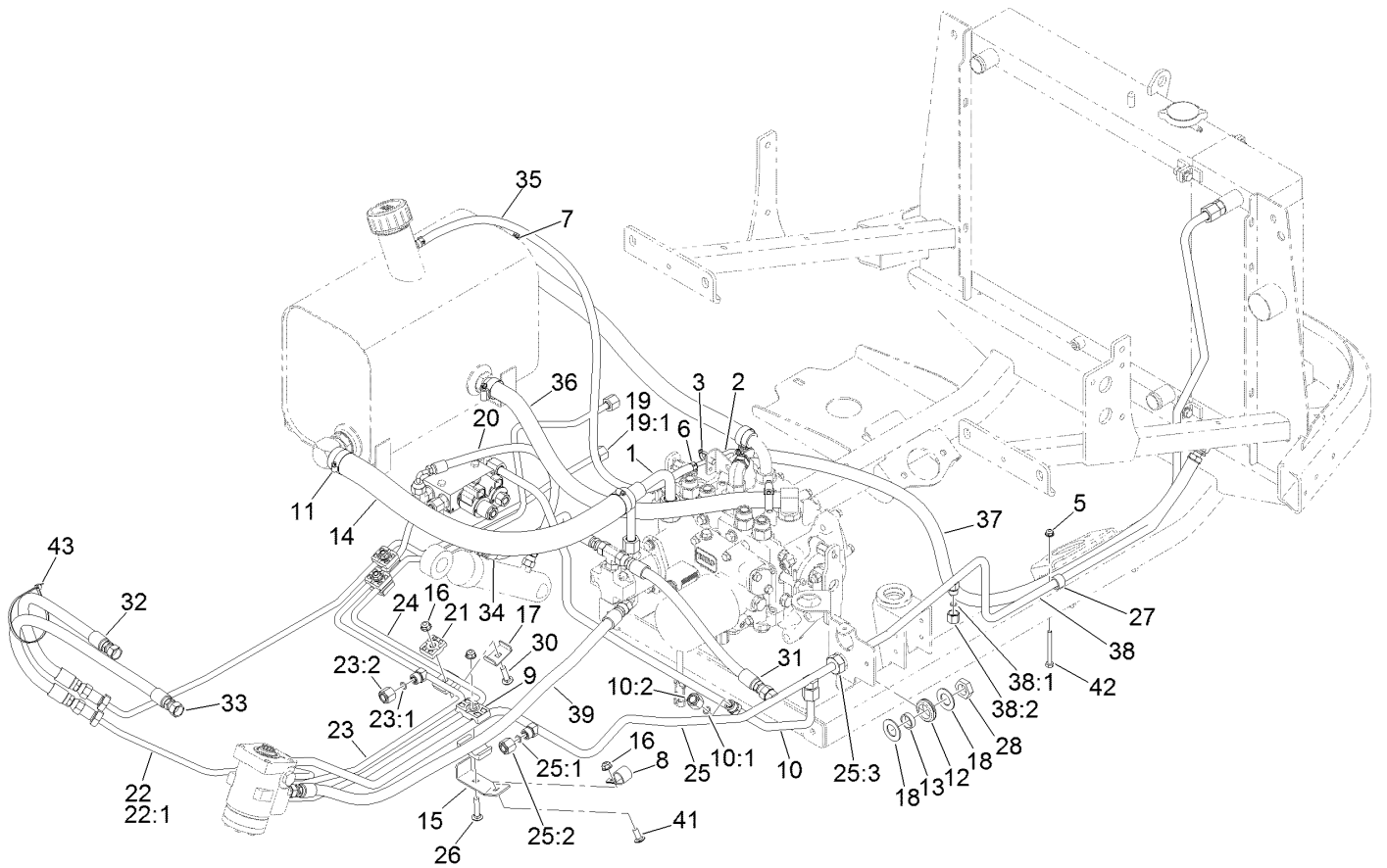
Neutral System Assembly



Neutral System Assembly (continued)

<i>Ref.</i>	<i>Part Number</i>	<i>Qty.</i>	<i>Description</i>	<i>Ref.</i>	<i>Part Number</i>	<i>Qty.</i>	<i>Description</i>
1	125-2871-03	1	Neutral End Plate ASM	19	119-2332	1	Washer-Flat
2	125-4366	1	Neutral Arm ASM	20	104-8301	5	Nut-Flange, NI
2:2	256-113	2	Bushing-Flange	21	2412-126	1	R-Clamp
2:3	302-5	1	Fitting-Grease	22	125-2870	2	Link ASM
3	3-6498	1	Washer-Thrust	22:1	125-4389	1	Bearing-End, Rod
4	119-4164	1	Washer-Wave	22:2	2411-36	1	Bearing-End, Rod
5	32120-93	1	Ring-Retaining	22:3	125-4390	1	Hex-Adjustment
6	322-19	1	Screw-HH	22:4	3219-3	1	Nut-Hex
7	85-9120	1	Spacer-Pivot, Tilt	22:5	3219-20	1	Nut-Hex, LH
8	251-307	2	Bearing-Ball	23	323-29	4	Screw-HH
9	125-2877	1	Spacer	25	115-5300	1	Proximity Switch ASM
10	73-0041	1	Washer-Thrust	25:1	117-3207	2	Nut-Hex
11	3296-47	1	Nut-Lock, NI	25:2	117-3208	2	Washer-Lock, Internal Tooth
12	33115-025	4	Screw-HH	26	131-3376	1	Hook-Spring, Dual
13	117-3255	2	Bearing-Side Flange	27	32128-25	1	Nut-HF
14	125-2879	1	Spacer-Shaft, Neutral	28	131-3374	2	Spring-Extension
15	125-2865-03	1	Neutral Shaft ASM	29	321-11	1	Screw-HH
16	3231-27	5	Screw-CARR	30	104-7201	1	Nut-Flange, NI
17	3296-39	4	Nut-Lock, NI	33	131-3377	1	Tab-Anti Rotation
18	125-2869-03	1	Plate-End, Neutral				

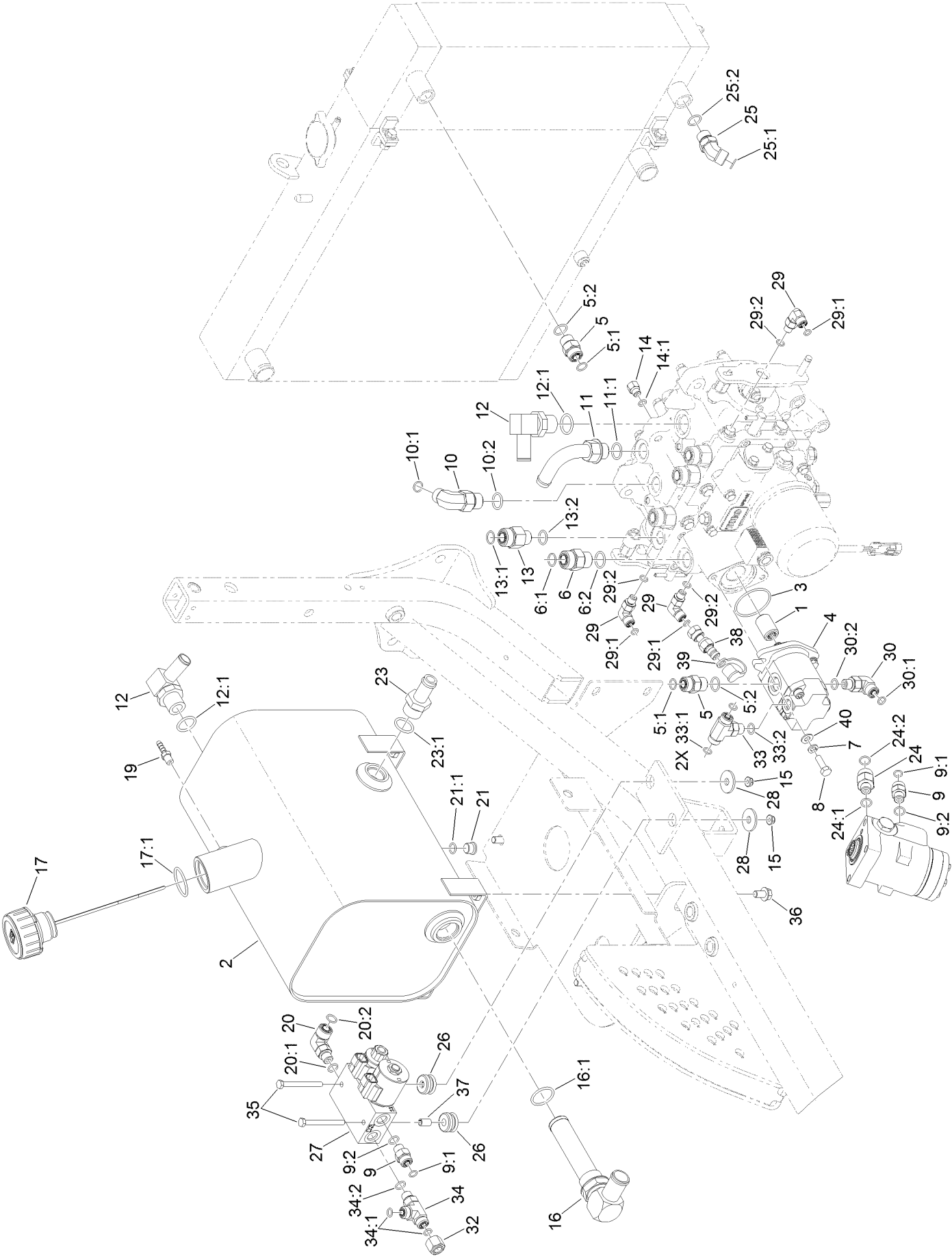
4 Wheel Drive Hydraulic Hose Assembly



4 Wheel Drive Hydraulic Hose Assembly (continued)

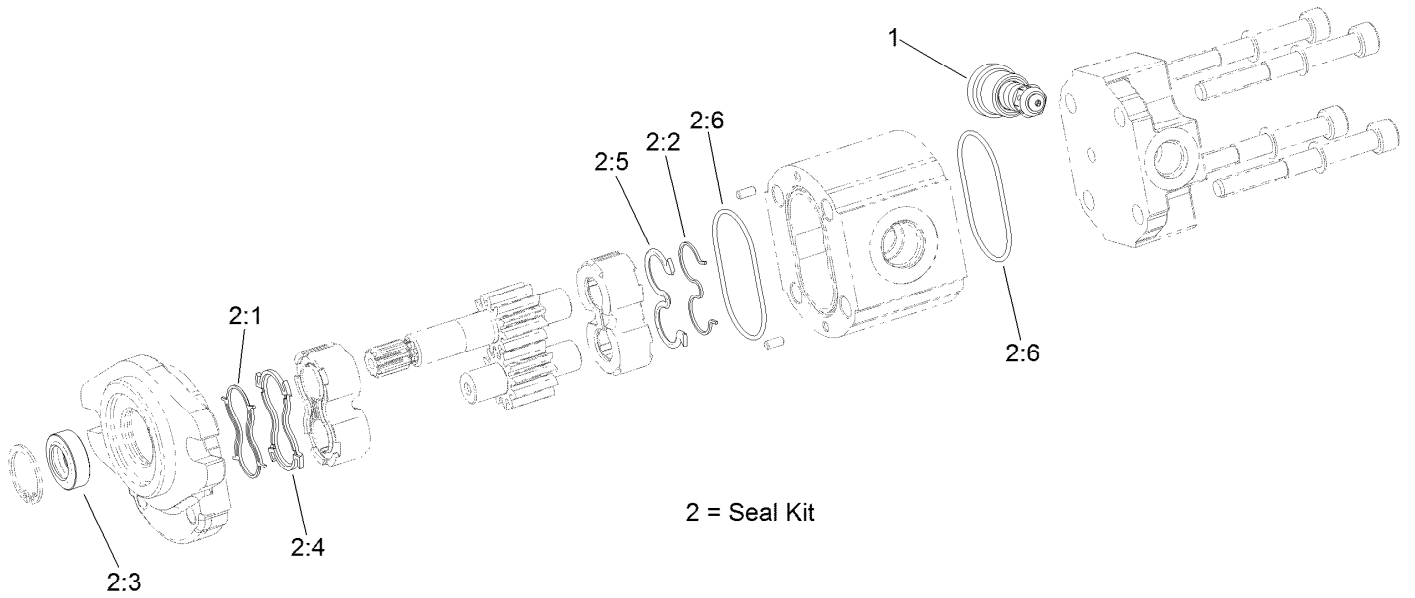
<i>Ref.</i>	<i>Part Number</i>	<i>Qty.</i>	<i>Description</i>	<i>Ref.</i>	<i>Part Number</i>	<i>Qty.</i>	<i>Description</i>
1	115-0184	1	Suction Tube ASM	23:1	237-22	1	O-Ring
2	125-2891	1	Tube ASM	23:2	340-117	1	Cap
3	32180-030	1	Clip-Tie	24	131-3351	1	Steer/Steer Manifold Tube ASM
5	104-7201	1	Nut-Flange, NI	25	127-4872	1	Steer/Drain Tube ASM
6	2412-98	2	Clamp-Hose	25:1	237-22	2	O-Ring
7	2412-129	4	Clamp-Hose	25:2	340-117	1	Cap
8	2412-4	1	Clamp	25:3	237-30	2	O-Ring
9	56-7972	2	Clamp-Tube	26	3230-4	1	Screw-CARR
10	125-2893	1	Tube ASM	27	2412-87	1	Clamp-Cable
10:1	237-22	1	O-Ring	28	340-127	1	Nut-Bulkhead
10:2	340-117	1	Cap	30	3230-3	3	Screw-CARR
11	2412-34	2	Clamp-Hose	31	117-3122	1	Hose ASM
12	240-5	1	Grommet	32	119-1433	1	Hose ASM
13	69-8960	1	Spacer	33	100-5629	1	Hose ASM
14	117-3200	1	Hose-Suction	34	117-3123	1	Hose-HYD
15	120-0245	1	Bracket-Support	35	109-0275	1	Hose-Fuel
16	104-8300	5	Nut-Flange, NI	36	117-3121	2	Hose ASM
17	119-1418	3	Plate-Clamp	37	117-9937	1	HYD Hose ASM
18	69-8930	2	Washer	38	125-2892	1	Drain/Cooler Tube ASM
19	131-3358	1	Steer Manifold/Front Cyl Tube ASM	38:1	237-21	1	O-Ring
19:1	237-22	1	O-Ring	38:2	117-3297	1	Fitting-Cap
20	110-0928	1	Hose-HYD	39	119-8114	1	HYD Hose ASM
21	56-7973	6	Clamp-Tube	41	3230-23	1	Screw-CARR
22	125-2887	1	Steer/Front Tube ASM	42	321-15	1	Screw-HH
22:1	237-22	1	O-Ring	43	3334-945	1	Tie-Cable
23	125-2890	1	Steer/Lift Tube ASM				

Deck Lift Valve and Hydraulic Fitting Assembly



Deck Lift Valve and Hydraulic Fitting Assembly (continued)

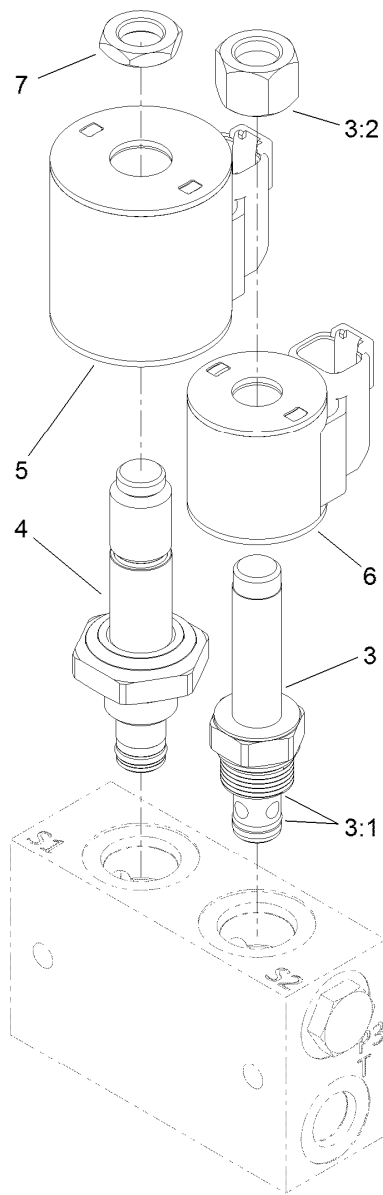
<i>Ref.</i>	<i>Part Number</i>	<i>Qty.</i>	<i>Description</i>	<i>Ref.</i>	<i>Part Number</i>	<i>Qty.</i>	<i>Description</i>
1	108-9920	1	Coupler-Spline	20:1	237-30	1	O-Ring
2	117-3372	1	Tank-Hydraulic, Metal	20:2	237-42	1	O-Ring
3	108-9919	1	O-Ring	21	353-989	1	Plug-Hex, Hollow
4	115-0375	1	Gear Pump ASM	21:1	237-42	1	O-Ring
5	340-4	2	Fitting-HYD, Straight	23	354-73	1	Fitting-Straight
5:1	237-30	1	O-Ring	23:1	237-81	1	O-Ring
5:2	237-79	1	O-Ring	24	340-5	1	Fitting-Straight
6	340-7	1	Adapter	24:1	237-42	1	O-Ring
6:1	237-65	1	O-Ring	24:2	237-30	1	O-Ring
6:2	237-80	1	O-Ring	25	340-101	1	Fitting-HYD, 45 DEG
7	3253-4	2	Washer-Lock	25:1	237-30	1	O-Ring
8	33114-025	2	Screw-HH	25:2	237-79	1	O-Ring
9	340-2	5	Fitting-HYD, Straight	26	63-9750	2	Mount
9:1	237-22	1	O-Ring	27	131-1934	1	Deck Lift Valve ASM
9:2	237-42	1	O-Ring	28	63-8410	2	Washer
10	340-105	1	Fitting-HYD, 90 DEG	29	340-132	3	Fitting-HYD, 90 DEG
10:1	237-80	1	O-Ring	29:1	237-78	1	O-Ring
10:2	237-30	1	O-Ring	29:2	237-21	1	O-Ring
11	110-5522	1	Fitting-Elbow, 90	30	340-77	1	Fitting-HYD, 90 DEG
11:1	237-80	1	O-Ring	30:1	237-22	1	O-Ring
12	353-987	2	Fitting-HYD, 90 DEG (Barbed)	30:2	237-42	1	O-Ring
12:1	237-81	1	O-Ring	32	340-117	1	Cap
13	340-155	4	Fitting-HYD, Straight	33	340-94	1	Adapter
13:1	237-79	1	O-Ring	33:1	237-22	2	O-Ring
13:2	237-151	1	O-Ring	33:2	237-42	1	O-Ring
14	110-5536	1	Fitting-HYD, Adapter	34	340-86	1	Fitting-Tee
14:1	237-78	1	O-Ring	34:1	237-22	2	O-Ring
15	104-7201	2	Nut-Flange, NI	34:2	237-42	1	O-Ring
16	105-0204	1	Strainer Fitting ASM	35	321-14	2	Screw-HH
16:1	237-146	1	O-Ring	36	32144-15	4	Screw-HHFTF
17	117-3389	1	Cap-Tank, Hydraulic	37	80-0650	2	Spacer-Tubular
17:1	237-101	1	O-Ring	38	115-8886	1	Nipple-Test
19	94-7220	1	Fitting-Barb, Hose	39	354-79	1	Cap-Dust
20	340-99	1	Fitting-HYD, 90 DEG	40	3256-23	2	Washer-Flat



Hydraulic Gear Pump Assembly No. 115-0375

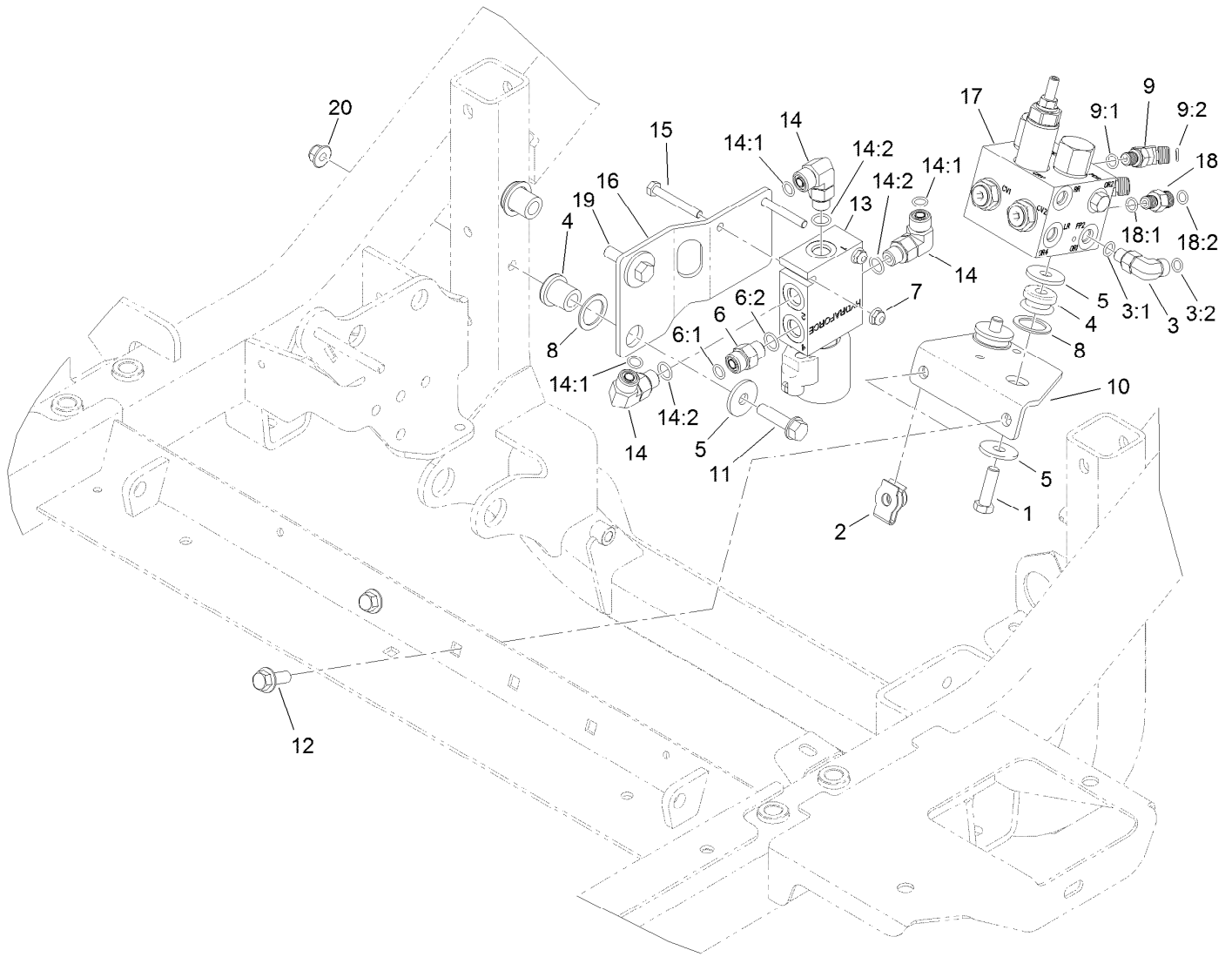
Ref.	Part Number	Qty.	Description
1	115-0376	1	Valve-Relief, 125 Bar
2	112-0199	1	Seal Kit
2:1		1	Seal-Anti Extrusion ●
2:2		1	Seal-Anti Extrusion ●
2:3		1	Seal-Shaft ●
2:4		1	Seal-Upper ●
2:5		1	Seal ●
2:6		2	O-Ring ●

● Not serviced separately



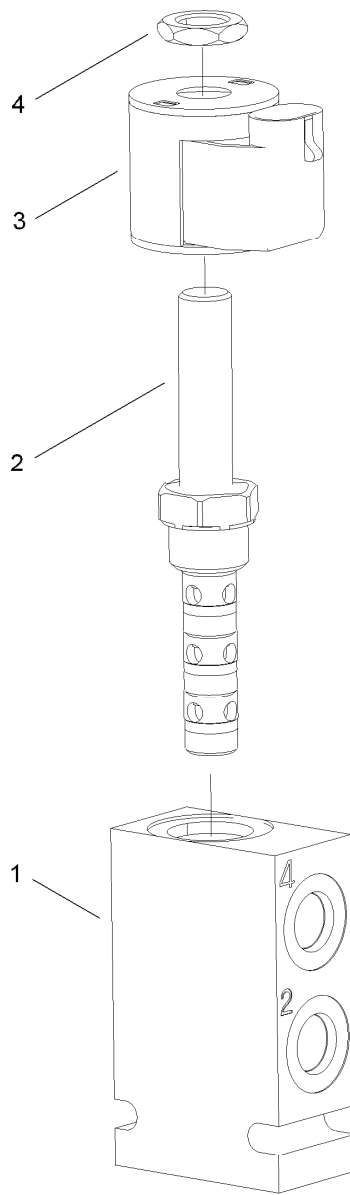
Valve Assembly No. 131-1934

<i>Ref.</i>	<i>Part Number</i>	<i>Qty.</i>	<i>Description</i>
3	107-7517	1	Valve-Solenoid
3:1	105-9156	1	Seal Kit
3:2	107-7812	1	Nut-Solenoid
4	131-1935	1	Valve-Solenoid
5	115-3021	1	Coil-12V
6	119-8036	1	E Coil-12 Vdc
7	110-2634	1	Nut-Coil



Hydraulic Valve Assembly

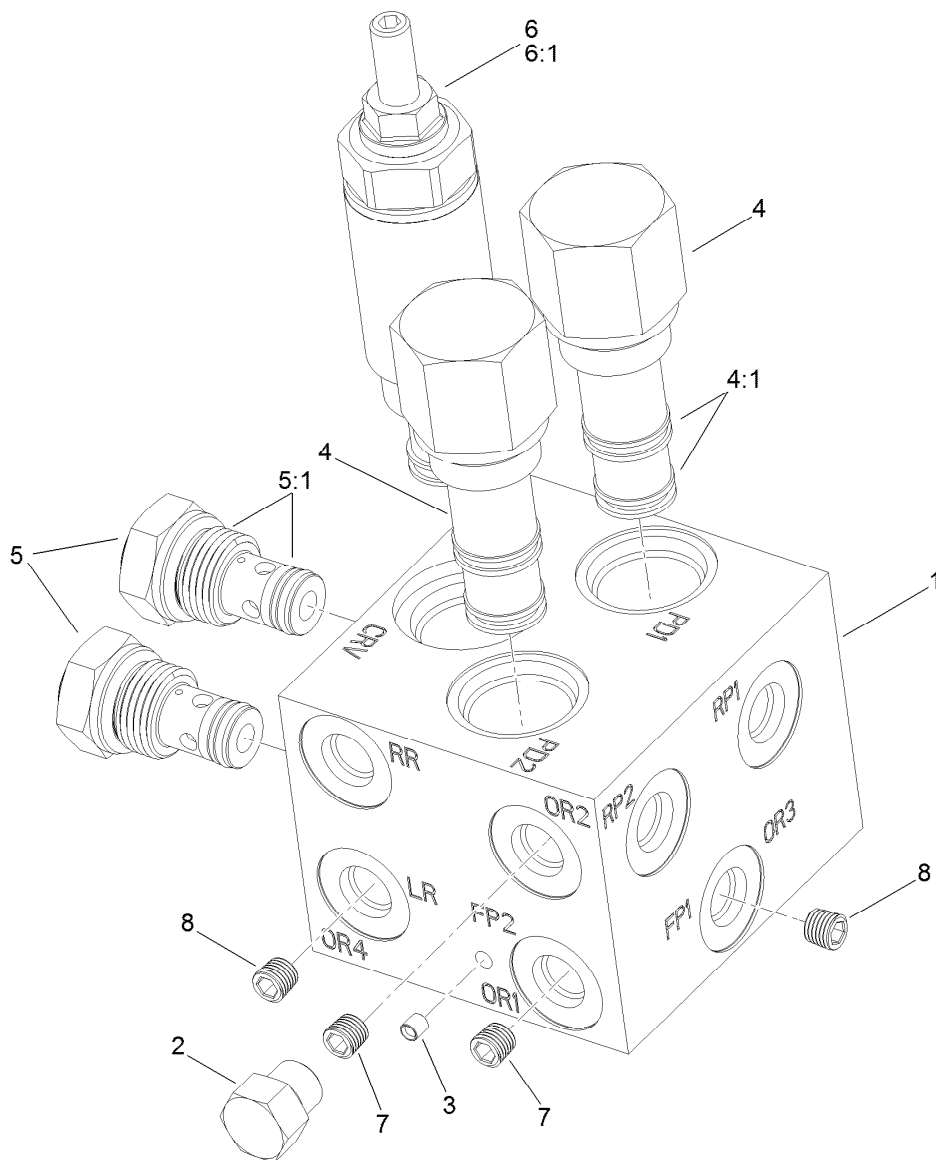
Ref.	Part Number	Qty.	Description	Ref.	Part Number	Qty.	Description
1	323-7	2	Screw-HH	11	323-20	1	Screw-HH
2	105-4886	2	Nut-Tinnerman	12	3234-42	2	Screw-HHF
3	340-132	1	Fitting-HYD, 90 DEG	13	115-0280	1	Steer Selector Valve ASM
3:1	237-78	1	O-Ring	14	340-77	3	Fitting-HYD, 90 DEG
3:2	237-21	1	O-Ring	14:1	237-22	1	O-Ring
4	63-9750	4	Mount	14:2	237-42	1	O-Ring
5	63-8410	6	Washer	15	321-11	2	Screw-HH
6	340-2	1	Fitting-HYD, Straight	16	131-3352-03	1	Plate-Mount, Valve
6:1	237-22	1	O-Ring	17	117-2247	1	Cross-Trax Traction Valve ASM
6:2	237-42	1	O-Ring	18	340-92	1	Fitting-HYD, Straight
7	104-7201	2	Nut-Flange, NI	18:1	237-78	1	O-Ring
8	1-303352	4	Washer-Spindle	18:2	237-21	1	O-Ring
9	340-103	2	Fitting-HYD, 45 DEG	19	323-8	1	Screw-HH
9:1	237-78	1	O-Ring	20	104-8301	2	Nut-Flange, NI
9:2	237-21	1	O-Ring				
10	119-1409-03	1	Mount-Plate				



Steering Selector Valve Assembly No. 115-0280

<i>Ref.</i>	<i>Part Number</i>	<i>Qty.</i>	<i>Description</i>
1		1	Block-Manifold ●
2	119-8042	1	Valve-Solenoid
3	110-6344	1	Coil-12V, Dc
4	110-2634	1	Nut-Coil

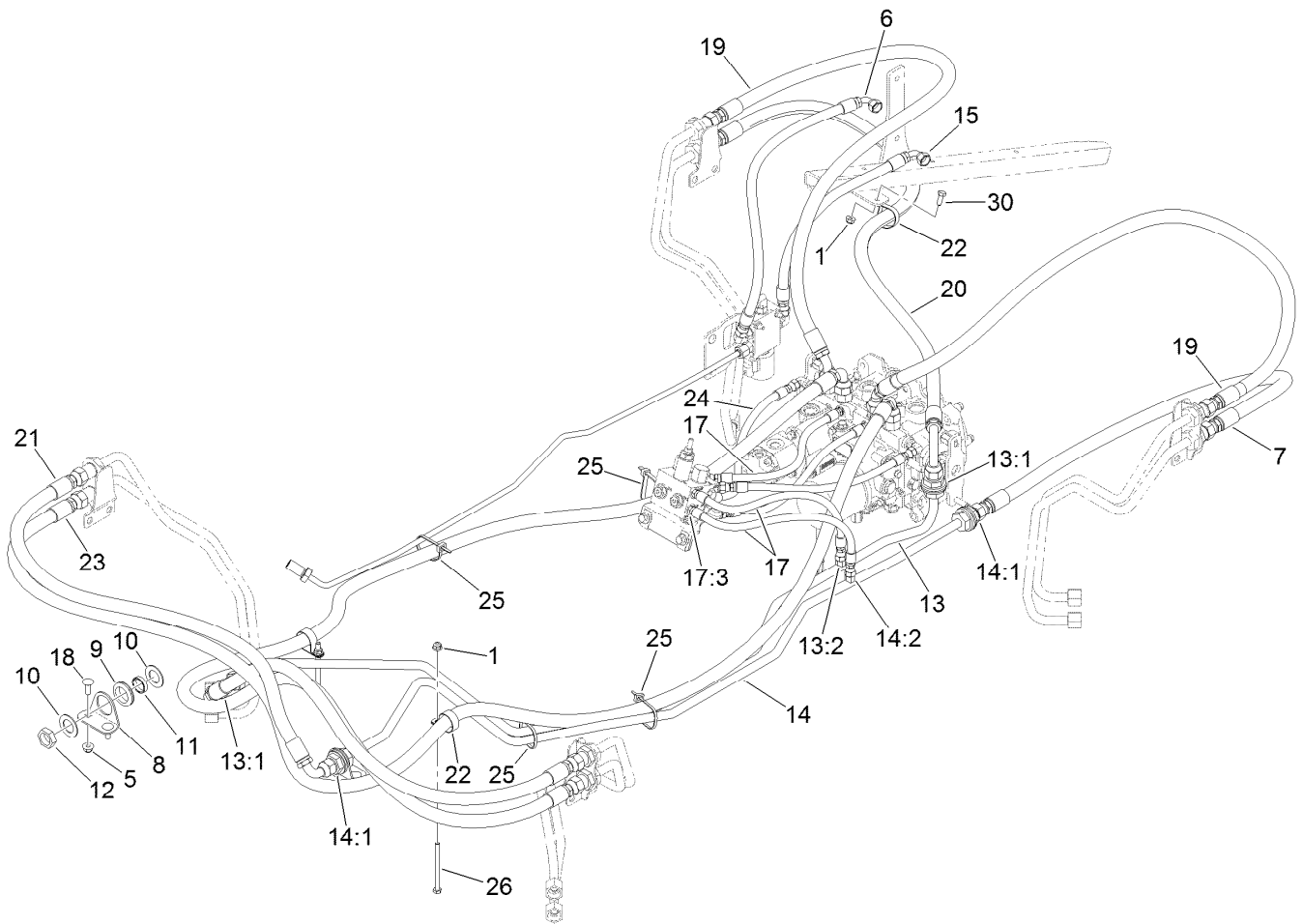
● Not serviced separately



Cross-Trax Traction Valve Assembly No. 117-2247

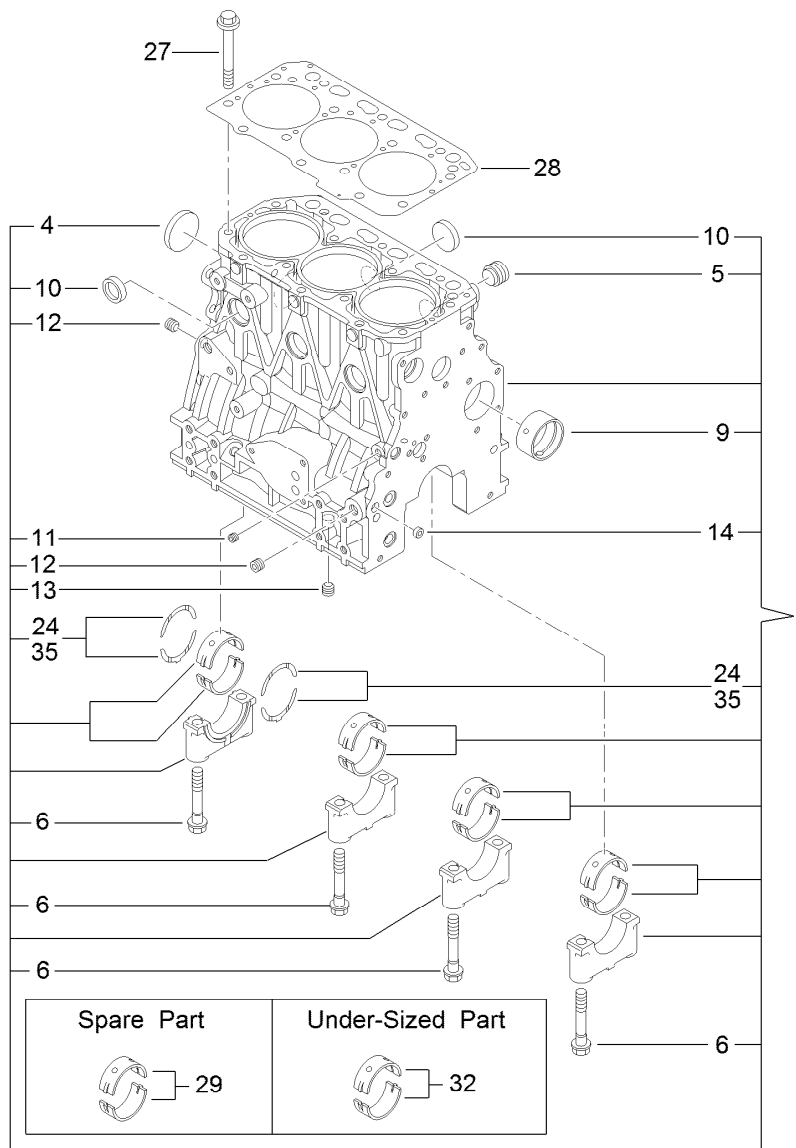
Ref.	Part Number	Qty.	Description
1		1	Block-Manifold ●
2	117-0115	1	Plug-HYD
3		1	Plug-4Mm ●
4	119-8028	2	Valve-Pilot, Directional
4:1	119-8029	1	Pilot Valve Seal Kit
5	119-8030	2	Valve-Check
5:1	119-8031	1	Seal Kit-Check Valve
6	119-8032	1	Valve-Relief
6:1	119-8033	1	Relief Valve Seal Kit
7	119-8034	2	Orifice-.090
8	119-8035	2	Orifice-.040

● Not serviced separately



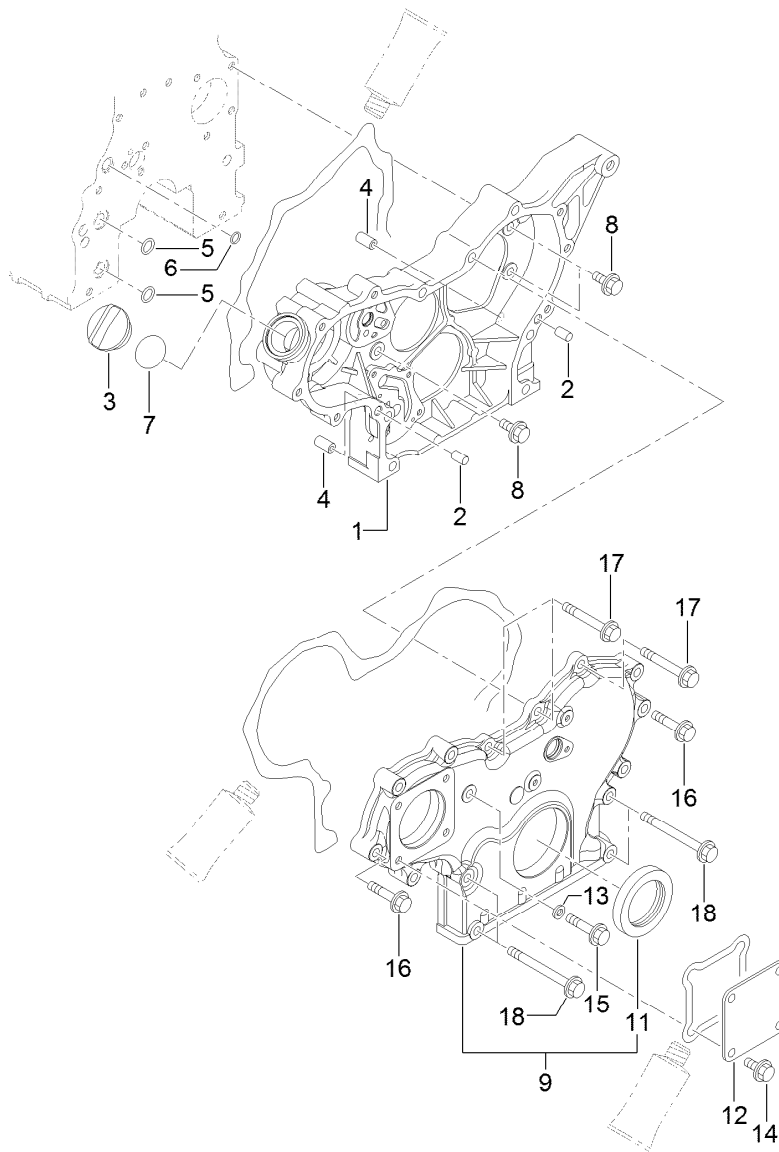
Steering and Traction Hose Assembly

<i>Ref.</i>	<i>Part Number</i>	<i>Qty.</i>	<i>Description</i>	<i>Ref.</i>	<i>Part Number</i>	<i>Qty.</i>	<i>Description</i>
1	104-8300	3	Nut-Flange, NI	14:2	237-21	1	O-Ring
5	104-8301	5	Nut-Flange, NI	15	131-3353	1	Hose ASM
6	131-3354	1	Hose ASM	17	115-0377	4	Hose ASM
7	119-1435	1	Hose ASM	17:3	237-78	1	O-Ring
8	115-0479	2	Bracket-Bulkhead	18	3231-22	4	Screw-CARR
9	240-3	4	Grommet-Rubber	19	125-4406	2	Hose ASM
10	69-9010	8	Washer	20	125-4359	1	Hose ASM
11	125-1984	4	Spacer	21	117-3124	2	Hose ASM
12	340-74	4	Nut-Lock, Bulkhead	22	2412-74	3	R-Clamp
13	125-4357	1	Tube ASM-Front Trax, RH	23	117-3126	2	Hose ASM
13:1	237-65	2	O-Ring	24	117-3127	2	Hose ASM
13:2	237-20	1	O-Ring	25	3334-945	2	Tie-Cable
14	117-3116	1	Tube ASM-Front Trax, LH	26	322-19	2	Screw-HH
14:1	237-65	2	O-Ring	30	322-3	1	Screw-HH



Cylinder Block Assembly

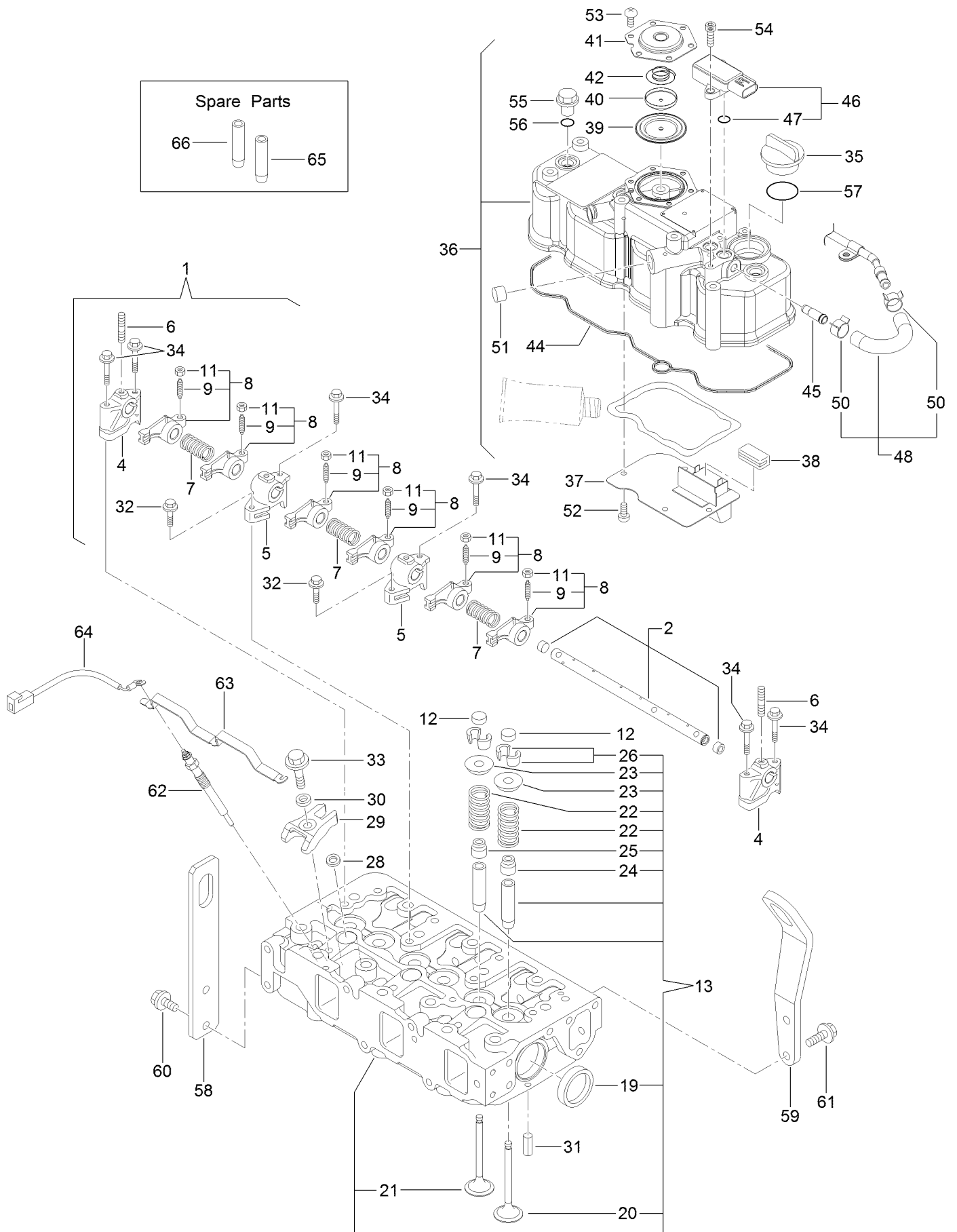
<i>Ref.</i>	<i>Part Number</i>	<i>Qty.</i>	<i>Description</i>	<i>Ref.</i>	<i>Part Number</i>	<i>Qty.</i>	<i>Description</i>
1	127-4717	1	Cylinder Block ASM	13	125-6973	1	Plug
4	125-6980	1	Plug	14	125-7237	1	Plug
5	125-7170	1	Plug	24	125-7010	2	Metal-Thrust
6	125-7007	8	Bolt	27	125-7006	14	Bolt
9	125-7108	1	Bushing	28	127-4716	1	Head Gasket ASM
10	125-7239	6	Plug	29	125-6981	4	Metal-Main
11	125-6969	1	Plug	32	125-7009	4	Metal-Main (0.25)
12	125-6973	2	Plug	35	125-7011	1	Metal-Thrust (0.25)



Gear Housing Assembly

<i>Ref.</i>	<i>Part Number</i>	<i>Qty.</i>	<i>Description</i>	<i>Ref.</i>	<i>Part Number</i>	<i>Qty.</i>	<i>Description</i>
1	127-3023	1	Case-Gear	11	125-6944	1	Seal-Oil
2	125-6995	2	Pin	12	125-6977	1	Cover
3	125-6972	1	Cover	13	125-7174	1	Washer-Seal
4	125-7107	2	Pipe	14	125-7214	4	Bolt
5	125-6909	2	O-Ring	15	125-7217	1	Bolt
6	127-2973	1	O-Ring	16	125-7218	7	Bolt
7	125-7197	1	O-Ring	17	125-7222	3	Bolt
8	125-7214	3	Bolt	18	125-7224	4	Bolt
9	127-3024	1	Gearcase Cover ASM				

Cylinder Head and Cover Assembly

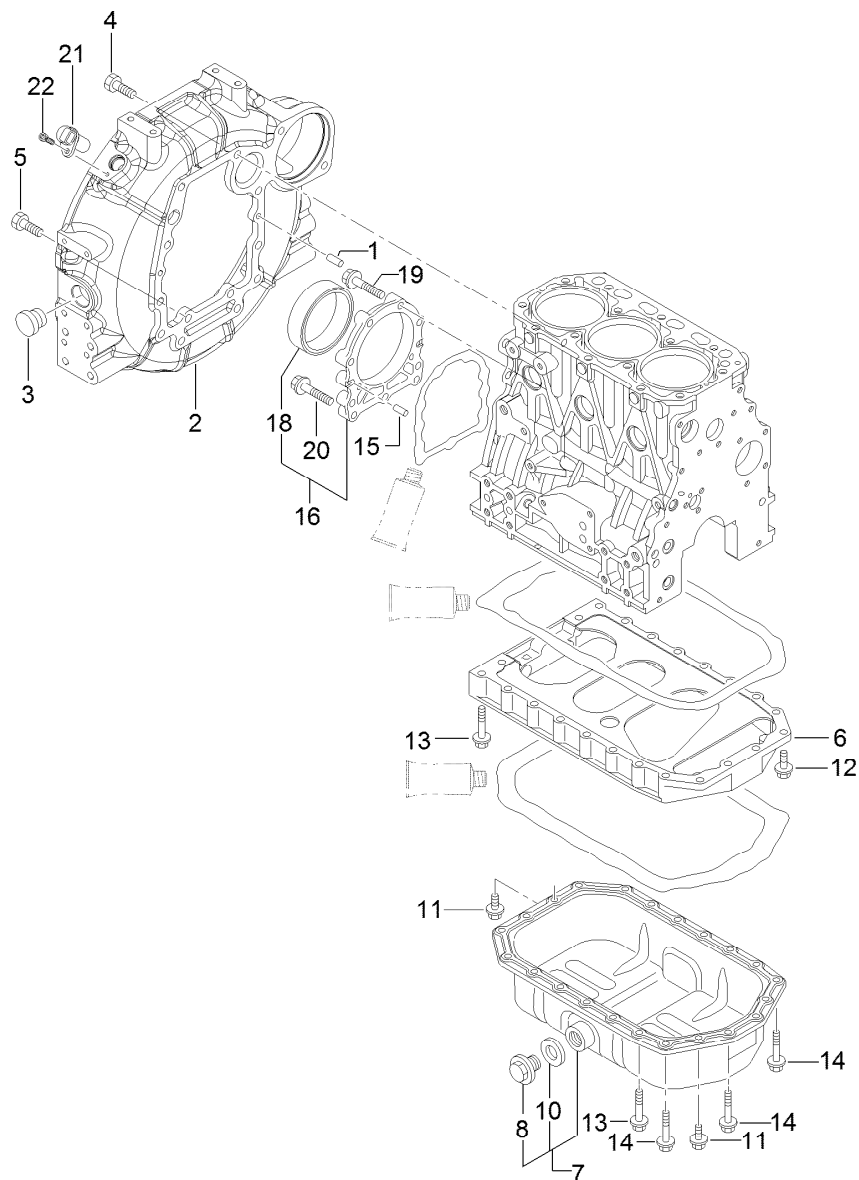


Cylinder Head and Cover Assembly (continued)

<i>Ref.</i>	<i>Part Number</i>	<i>Qty.</i>	<i>Description</i>	<i>Ref.</i>	<i>Part Number</i>	<i>Qty.</i>	<i>Description</i>
1	127-3757	1	Shaft ASM	37	127-2988	1	Plate
2	127-3758	1	Shaft	38	125-7012	1	Baffle
4	127-2974	2	Support	39	125-6959	1	Diaphragm
5	127-2975	2	Support	40	125-6960	1	Plate
6	127-3759	3	Stud	41	125-6961	1	Plate
7	127-2995	3	Spring	42	125-6962	1	Spring
8	127-2989	6	Arm-Rocker	44	127-3856	1	Gasket-Head, Cylinder
9	125-7013	6	Screw	45	127-3026	1	Joint
11	125-7014	6	Nut	46	127-3029	1	Sensor-Pressure
12	127-2996	6	Cap	47	127-3032	2	O-Ring
13	127-4720	1	Cylinder Head ASM	48	127-3040	1	Hose ASM
19	125-7240	2	Plug	50	127-3041	2	Clip-Hose
20	127-2990	3	Valve	51	125-6913	1	Plug
21	127-4710	3	Valve	52	125-7186	4	Screw
22	127-3012	6	Spring	53	125-7186	6	Screw
23	127-3013	6	Retainer	54	127-3184	2	Bolt
24	127-2986	3	Seal-Stem, Valve	55	125-6974	3	Knob
25	127-3027	3	Seal-Stem, Valve	56	93-0418	3	O-Ring
26	127-3186	6	Pin-Cotter	57	125-7197	1	O-Ring
28	127-3021	3	Gasket-Injector	58	131-2707	1	Lifter
29	127-3028	3	Retainer-Injector	59	131-2715	1	Lifter-Engine
30	127-2980	3	Washer	60	125-7214	2	Bolt
31	125-7184	2	Pin-Spring	61	127-7595	2	Decal-Oil Level
32	125-7215	2	Bolt	62	127-2991	3	Plug
33	125-7217	3	Bolt	63	127-3768	1	Connector-Plug, Glow
34	125-7220	6	Bolt	64	131-2704	1	Harness, Wire
35	125-6972	1	Cover	65	127-2979	3	Guide
36	127-4719	1	Cylinder Head Cover ASM	66	127-2997	3	Guide

Diesel Particulate Filter Assembly (continued)

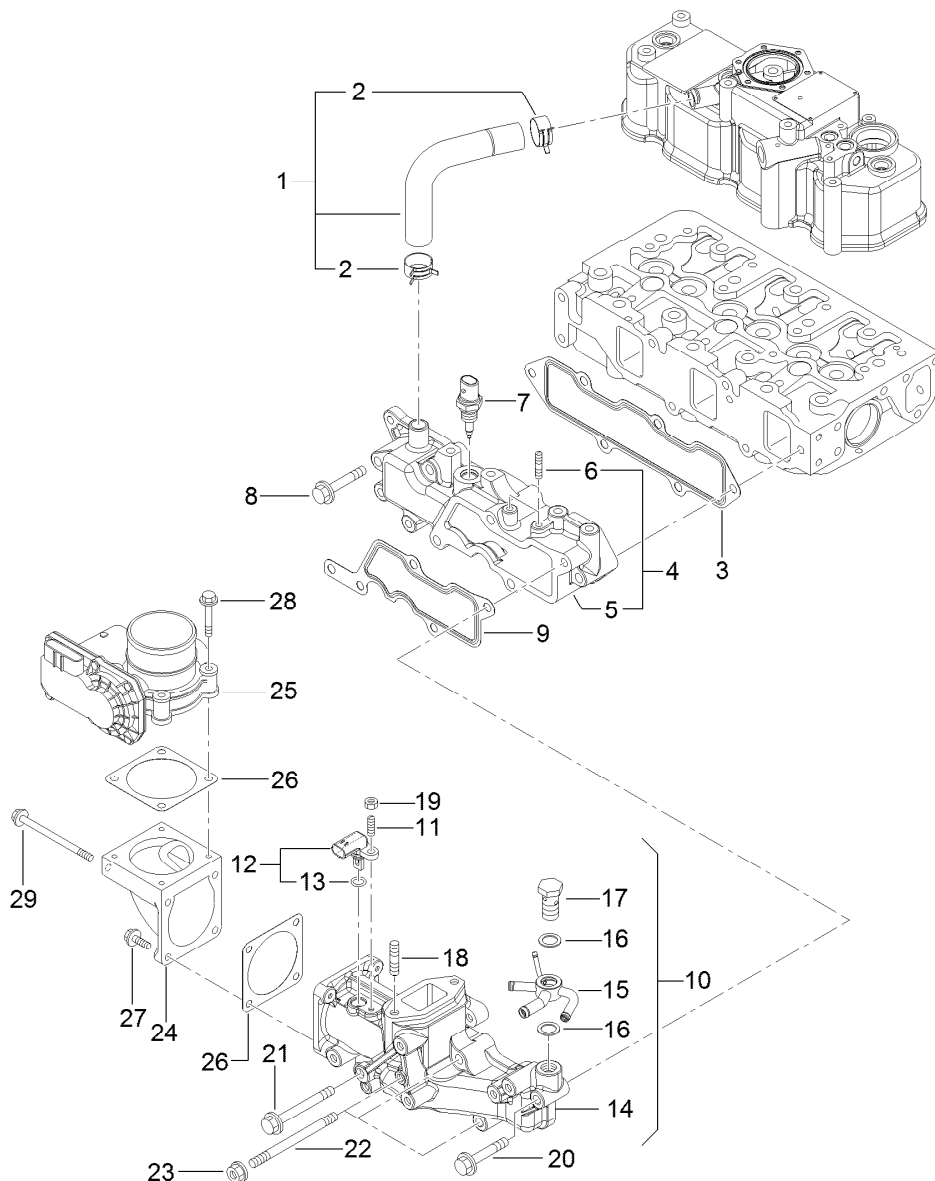
<i>Ref.</i>	<i>Part Number</i>	<i>Qty.</i>	<i>Description</i>	<i>Ref.</i>	<i>Part Number</i>	<i>Qty.</i>	<i>Description</i>
1	127-3019	1	Gasket	28	131-2726	1	Exhaust Press Hose ASM
3	131-2718	1	Sensor-Temp, Exhaust	29	127-3058	2	Clip-Hose
4	131-2719	1	Sensor-Temp, Exhaust	31	127-3060	1	Sensor-Pressure
5	131-2730	1	D P F ASM	32	127-4750	1	Bracket-Sensor
6	131-2720	1	Case-Doc	33	125-7208	2	Bolt
8	127-4734	1	Case-Filter, Soot	34	125-7595	2	Bolt
10	127-3786	1	Silencer-D P F	35	131-2727	1	Bracket-Harness
11	127-3859	2	Gasket-D P F	36	127-3087	2	Band-Clip
12	127-3055	16	Bolt	37	127-3124	1	Band
13	127-3788	1	Lifter-D P F	38	127-3088	2	Clip-Connector
14	127-3789	4	Stiffener-D P F, A	39	125-7595	2	Bolt
15	131-2721	1	Stiffener-D P F, B	40	131-2723	1	Stay-D P F, A
16	127-3792	1	Stiffener-D P F, C	41	131-2724	1	Support-Stay, D P F
17	127-4736	2	Stiffener-D P F, C	42	131-2725	1	Stay-D P F, B
18	125-7213	2	Bolt	43	125-7214	2	Bolt
19	125-7229	16	Nut	44	125-7214	2	Bolt
20	131-2722	1	Pressure Sensor Unit	45	125-7214	2	Bolt
21	127-3039	2	Bolt-Joint, Pipe	46	125-7595	2	Bolt
22	127-3056	4	Gasket-Sensor	47	125-7215	2	Bolt
23	127-4744	1	Sensor Pipe ASM	48	125-7216	3	Bolt
24	127-4745	1	Sensor Pipe ASM	49	131-2741	2	Bolt-Plated, M12X 20
25	127-3114	1	Exhaust Hose ASM	50	125-7229	4	Nut
27	127-3057	2	Clip-Hose				



Flywheel Housing and Oil Sump Assembly

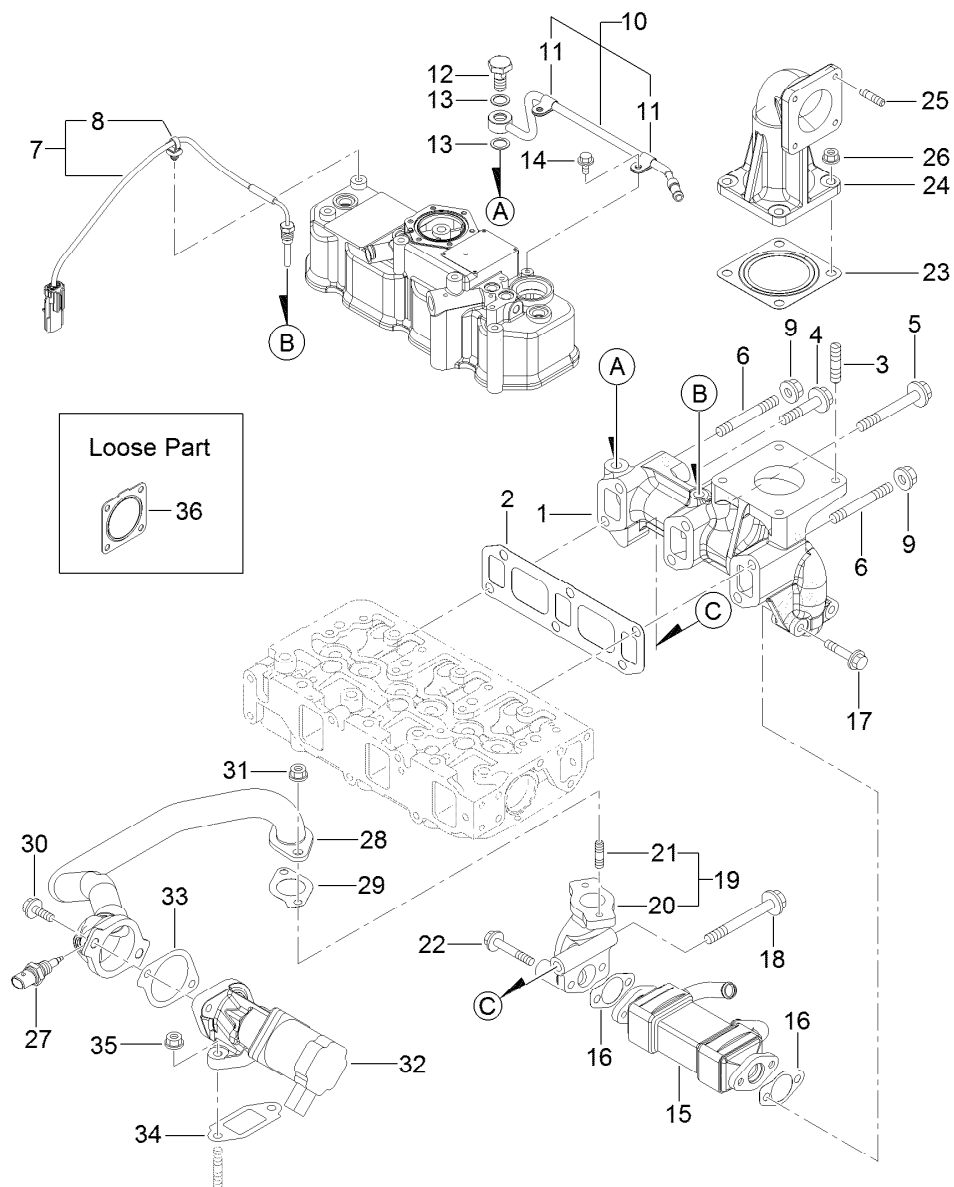
<i>Ref.</i>	<i>Part Number</i>	<i>Qty.</i>	<i>Description</i>
1	125-6995	2	Pin
2	127-4758	1	Housing-Flywheel
3	125-6910	1	Cap
4	125-7226	6	Bolt
5	125-7227	4	Bolt
6	127-3756	1	Spacer
7	131-2706	1	Oil Sump ASM
8	125-6912	1	Plug
10	125-7177	1	Washer-Seal
11	125-7214	4	Bolt

<i>Ref.</i>	<i>Part Number</i>	<i>Qty.</i>	<i>Description</i>
12	125-7215	2	Bolt
13	125-7219	16	Bolt
14	125-7220	4	Bolt
15	125-6995	2	Pin
16	125-6996	1	Case ASM
18	125-7106	1	Seal-Oil
19	125-7045	6	Bolt
20	125-7217	3	Bolt
21	127-3062	1	Sensor-Flywheel
22	127-3184	1	Bolt



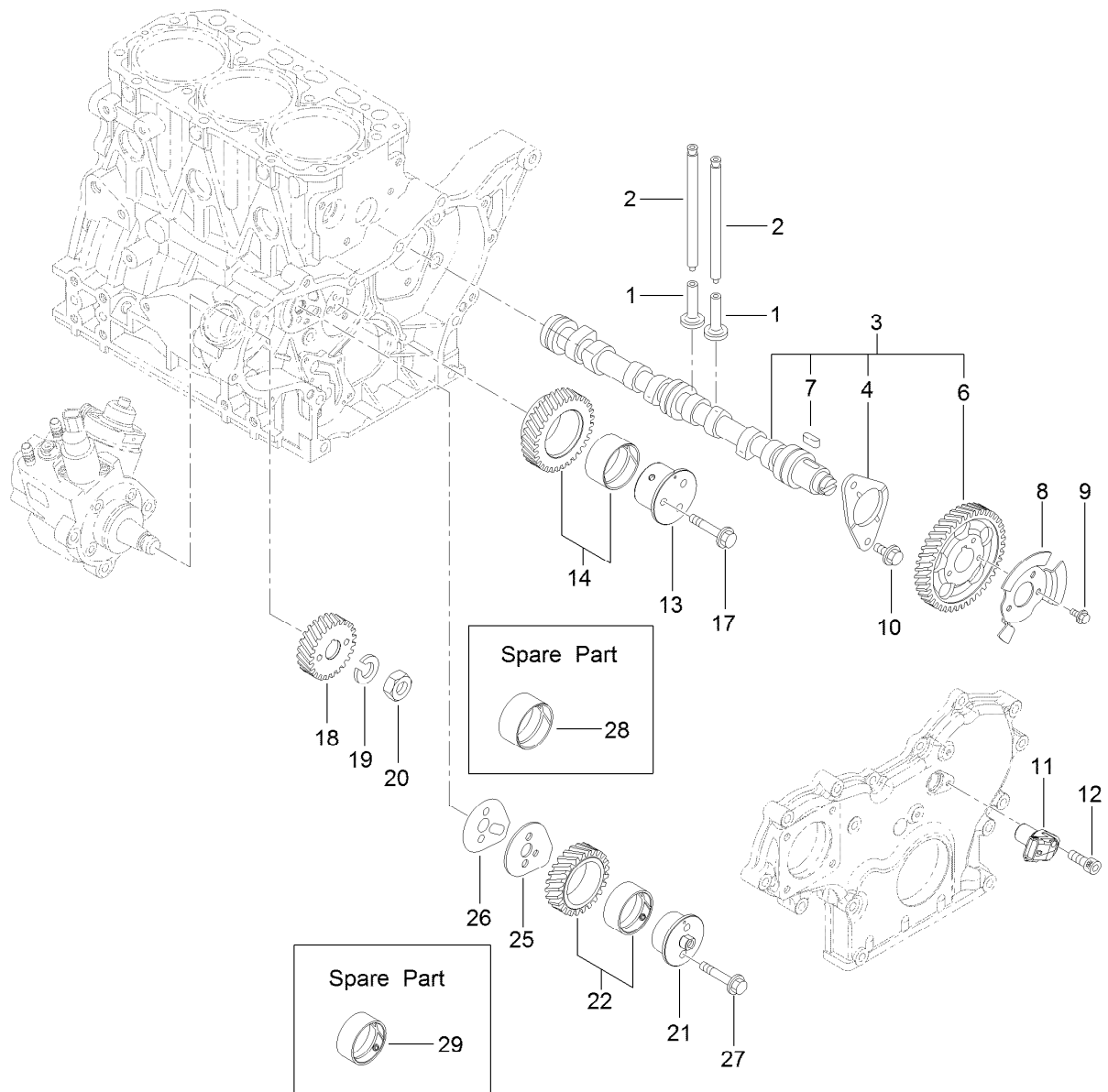
Suction Manifold Assembly

<i>Ref.</i>	<i>Part Number</i>	<i>Qty.</i>	<i>Description</i>	<i>Ref.</i>	<i>Part Number</i>	<i>Qty.</i>	<i>Description</i>
1	127-4704	1	Pipe	16	127-3166	2	Washer-Seal
2	125-7040	2	Clip	17	131-2738	2	Bolt-Joint, 8
3	127-3857	1	Gasket-Manifold, Intake	18	127-4774	2	Stud
4	127-4722	1	Intake Manifold ASM	19	127-4775	2	Nut
5	127-4721	2	Manifold-Intake	20	125-7220	1	Bolt
6	127-3180	2	Stud	21	127-3178	1	Bolt
7	127-3031	1	Sensor-Temp, Air	22	127-3182	1	Stud
8	125-7220	1	Bolt	23	125-7229	1	Nut
9	127-3034	1	Gasket-Collector	24	127-3035	1	Bend-Inlet
10	131-2716	1	Intake Collector ASM	25	127-3036	1	Body-Throttle
11	127-4701	2	Stud	26	127-3037	1	Gasket-Throttle
12	127-3030	2	Sensor-Temp, Air	27	125-7209	1	Bolt
13	127-3033	3	O-Ring	28	125-7211	1	Bolt
14	127-4724	2	Collector-Intake	29	127-3177	1	Bolt
15	131-2729	2	Joint-Hose, 4 Way				



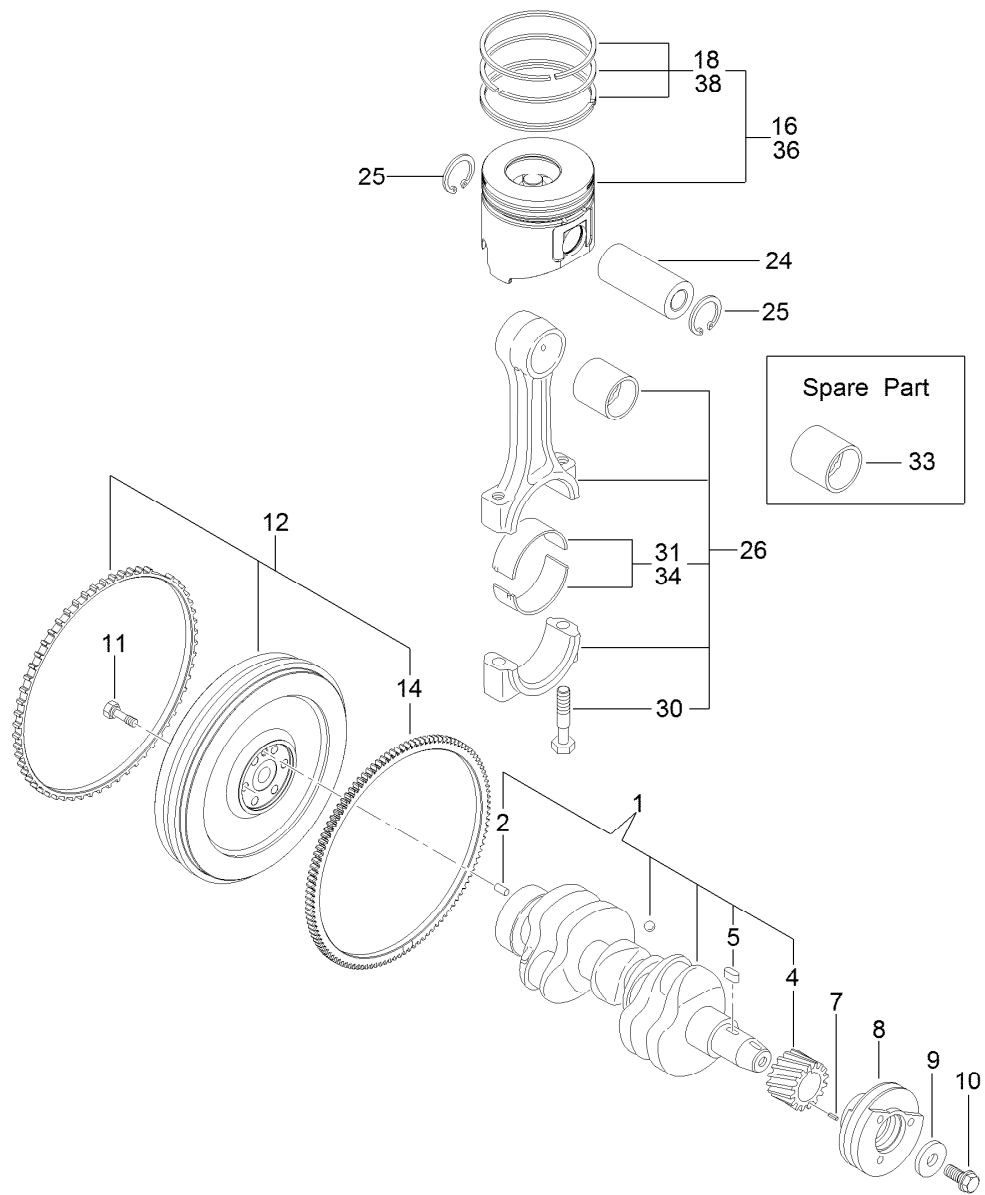
Exhaust Manifold Assembly

Ref.	Part Number	Qty.	Description	Ref.	Part Number	Qty.	Description
1	127-4726	1	Manifold-Exhaust	19	127-3048	1	E G R Pipe ASM
2	127-3775	1	Gasket-Manifold, Exhaust	20	127-3049	1	Pipe-Out, E G R
3	127-2984	4	Stud	21	125-7043	2	Stud
4	127-3094	1	Bolt	22	125-7220	2	Bolt
5	127-3044	3	Bolt-M10	23	127-2987	1	Gasket
6	127-4756	2	Stud	24	131-2717	1	Pipe-Exhaust
7	127-4729	1	Sensor-Temp, Exhaust	25	125-6906	4	Stud
8	127-3087	1	Band-Clip	26	125-7230	4	Nut
9	125-7230	2	Nut	27	127-3047	1	Sensor-Gas Temp, E G R
10	127-3038	1	Exhaust Pipe ASM	28	127-3780	1	E G R Pipe ASM
11	127-3173	2	Clamp	29	127-3016	1	Gasket
12	127-3039	1	Bolt-Joint, Pipe	30	125-7215	2	Bolt
13	127-3174	2	Gasket	31	125-7229	2	Nut
14	125-7206	2	Bolt	32	127-3781	1	Valve-E G R
15	127-3042	1	Cooler-E G R	33	127-3050	1	Gasket-Intake Valve, E G R
16	127-3043	2	Gasket-Cooler, E G R	34	127-3051	1	Gasket-Out Valve, E G R
17	127-2976	2	Bolt	35	125-7229	2	Nut
18	127-3022	1	Bolt-Flange	36	127-3019	1	Gasket



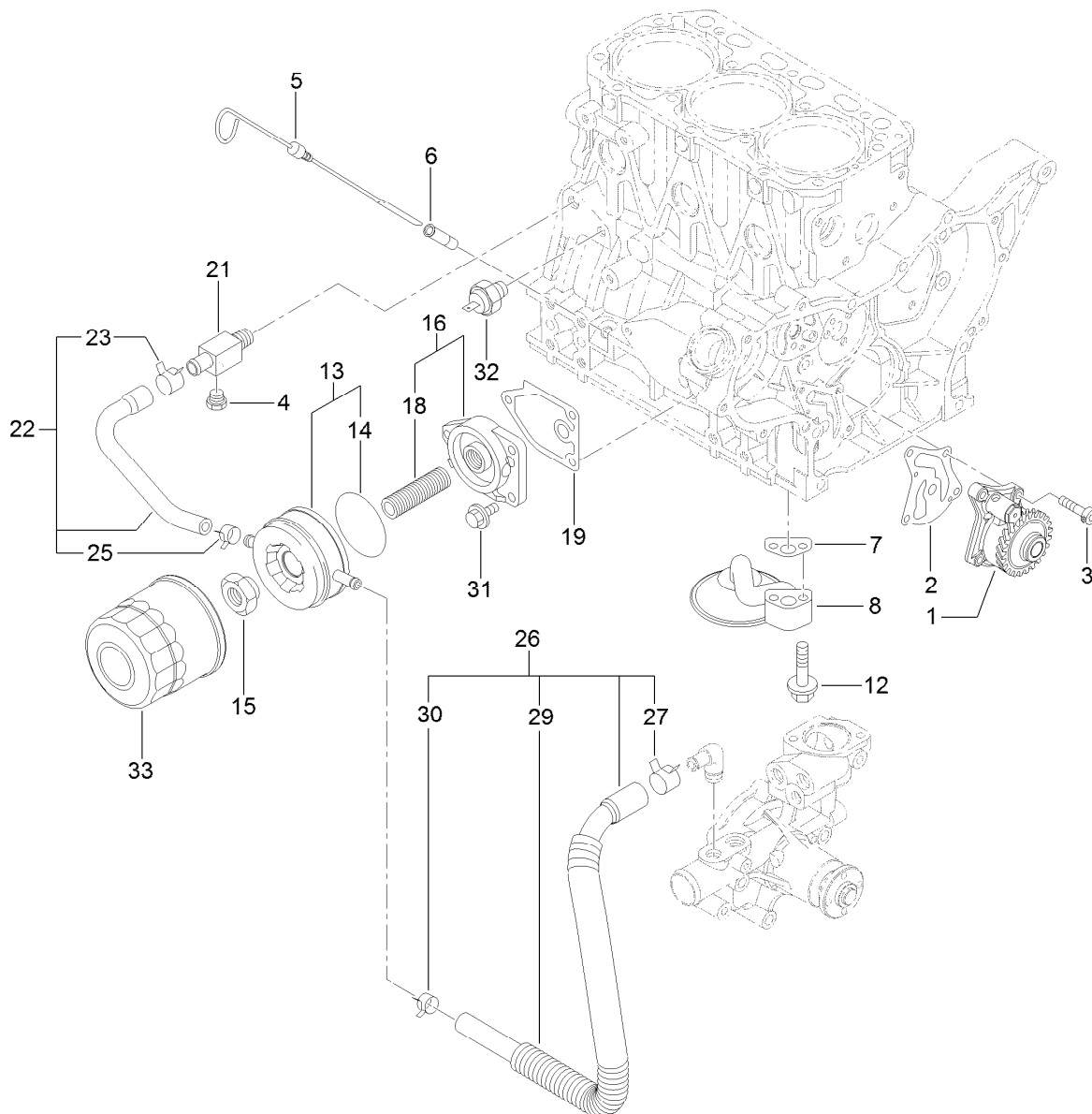
Camshaft and Driving Gear Assembly

Ref.	Part Number	Qty.	Description	Ref.	Part Number	Qty.	Description
1	125-7016	6	Tappet	14	127-3066	1	Idle Gear A ASM
2	125-7017	6	Rod-Push	17	125-7219	3	Bolt
3	127-3797	1	Camshaft ASM	18	127-3070	1	Gear-Pump, Supply
4	125-7008	1	Metal-Thrust	19	127-3167	1	Washer-Spring
6	127-3052	1	Gear-Camshaft	20	127-3185	1	Nut
7	125-7185	1	Key	21	127-3064	1	Shaft-Idle, Gear B
8	127-3053	1	Pulser-Camshaft	22	127-3067	1	Idle Gear B ASM
9	125-7205	3	Bolt	25	127-3068	1	Plate-Idle, Shaft
10	125-7213	2	Bolt	26	127-3069	1	Gasket-Idle, Shaft B
11	127-3054	1	Sensor-Rev, Gear	27	125-7218	2	Bolt
12	127-3184	1	Bolt	28	125-6927	1	Bushing
13	127-3063	1	Shaft-Idle, Gear A	29	127-3065	1	Bushing



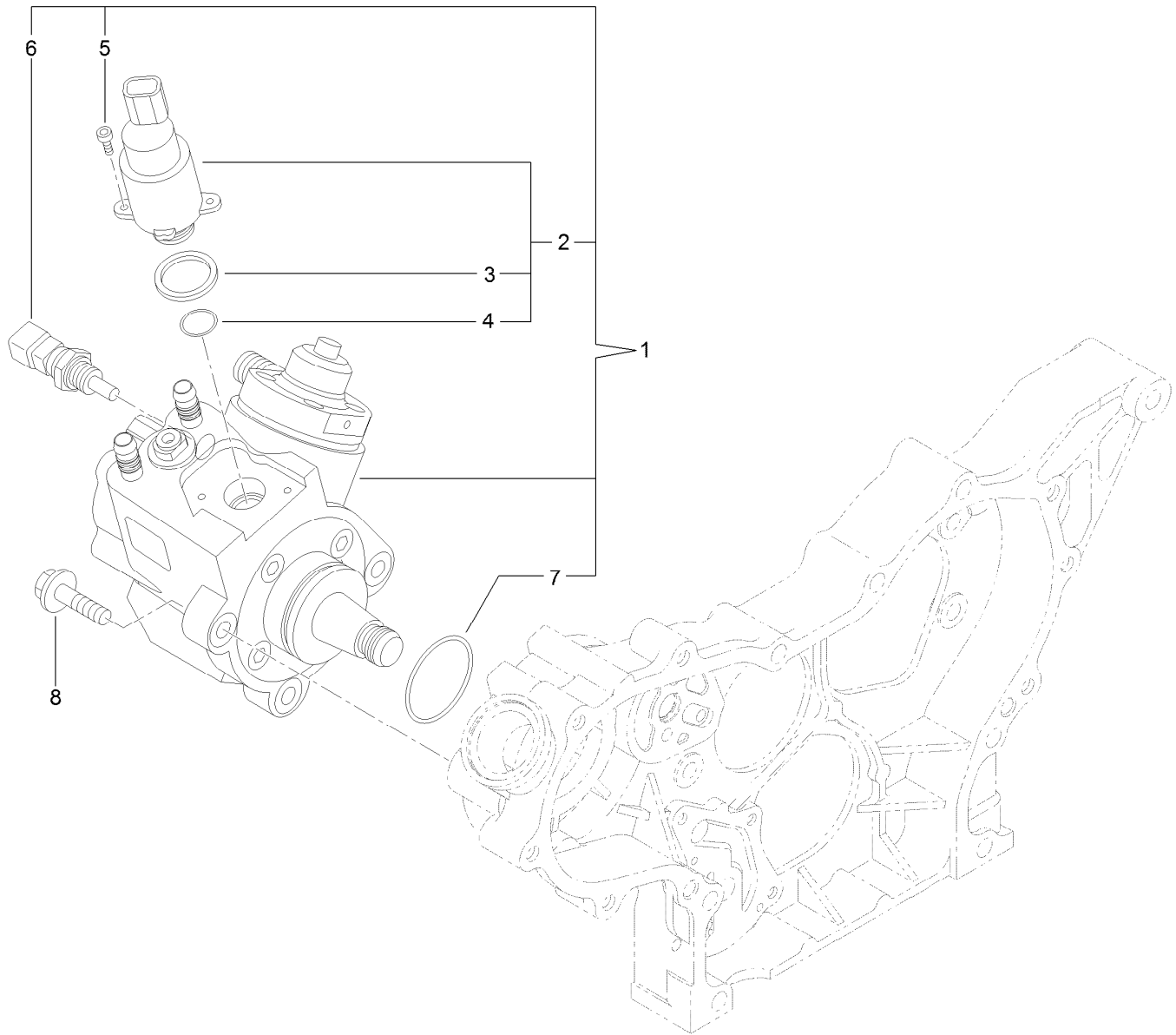
Crankshaft and Piston Assembly

Ref.	Part Number	Qty.	Description	Ref.	Part Number	Qty.	Description
1	127-3800	1	Crankshaft ASM	16	127-4766	3	Piston ASM
2	125-6995	1	Pin	18	127-4751	3	Piston Ring ASM
4	125-6937	1	Gear	24	125-7030	3	Pin
5	125-7185	1	Key	25	125-7180	6	Ring
7	125-7182	1	Pin-Spring	26	125-7242	3	Connecting Rod ASM
8	127-3801	1	Pulley-V	30	125-6955	6	Bolt
9	125-7109	1	Washer	31	125-7018	3	Pin-Crank
10	125-6956	1	Bolt	33	125-6997	3	Pin-Piston
11	125-6951	6	Bolt	34	125-7019	3	Pin-Crank (.25)
12	127-4761	1	Flywheel ASM	36	127-4767	3	Piston ASM (0.25 O S)
14	127-4703	1	Gear	38	127-4752	3	Ring Set (0.25 O S)



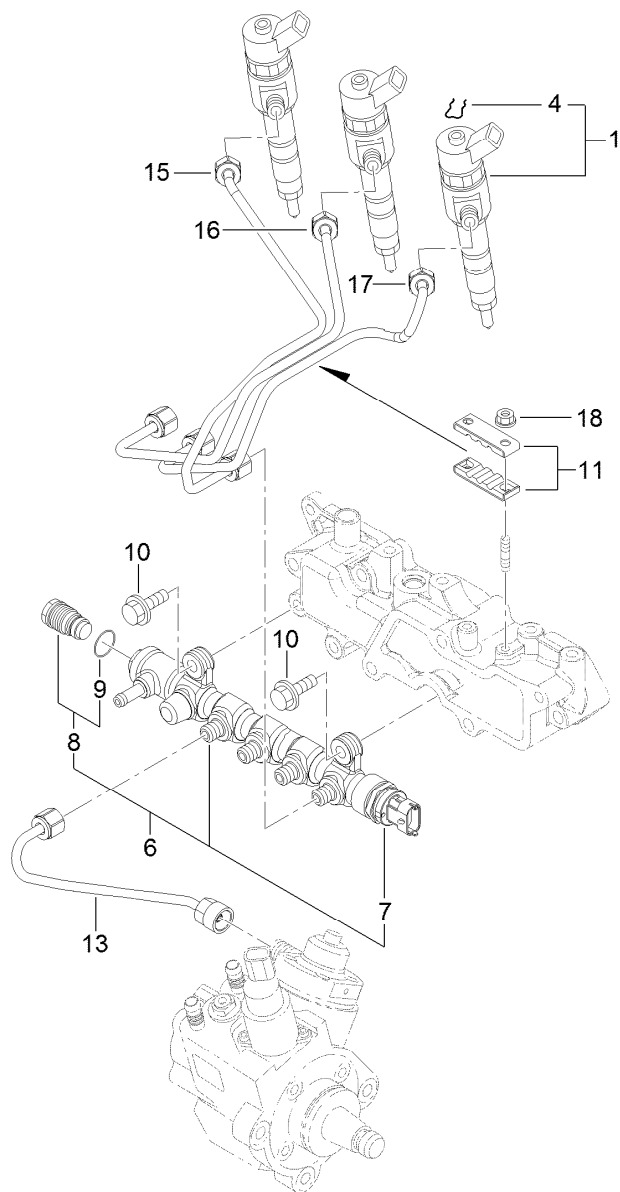
Lubrication and Oil System Assembly

<i>Ref.</i>	<i>Part Number</i>	<i>Qty.</i>	<i>Description</i>	<i>Ref.</i>	<i>Part Number</i>	<i>Qty.</i>	<i>Description</i>
1	127-4753	1	Oil Pump ASM	18	125-7042	1	Stud
2	127-3004	1	Gasket	19	125-7024	1	Gasket
3	125-7232	4	Bolt	21	125-6990	1	Joint
4	125-7171	1	Plug	22	125-7078	1	Pipe ASM
5	125-6987	1	Dipstick	23	125-7162	1	Clip
6	125-6954	1	Guide	25	125-7191	1	Clamp-Hose
7	125-7022	1	Gasket	26	127-3804	1	Pipe ASM
8	125-7023	1	Pipe ASM	27	125-7162	1	Clip
12	125-7217	2	Bolt	29	127-3805	1	Tube
13	125-7074	1	Cooler ASM	30	125-7191	1	Clamp-Hose
14	125-7075	1	O-Ring	31	125-7595	3	Bolt
15	125-7041	1	Nut-Cooler, Oil	32	125-6918	1	Switch-Oil
16	125-6989	1	Bracket ASM	33	125-7025	1	Filter



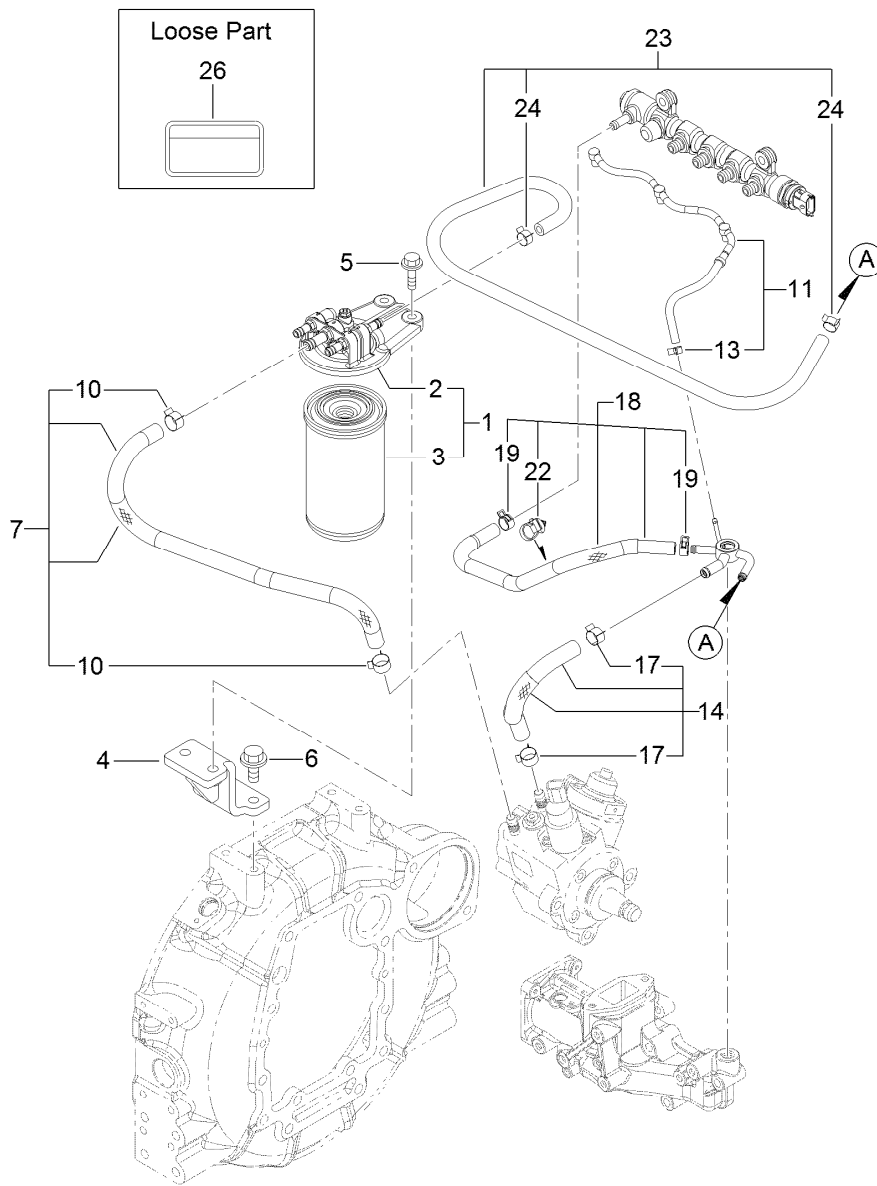
Fuel System Assembly

<i>Ref.</i>	<i>Part Number</i>	<i>Qty.</i>	<i>Description</i>
1	127-3073	1	Fuel Pump ASM
2	131-2103	1	Valve ASM
3	131-2105	1	Ring-Sealing
4	131-2106	1	O-Ring
5	131-2107	2	Bolt
6	131-2108	1	Sensor-Temperature
7	127-3074	1	O Ring-Pump, Fuel
8	125-7216	3	Bolt



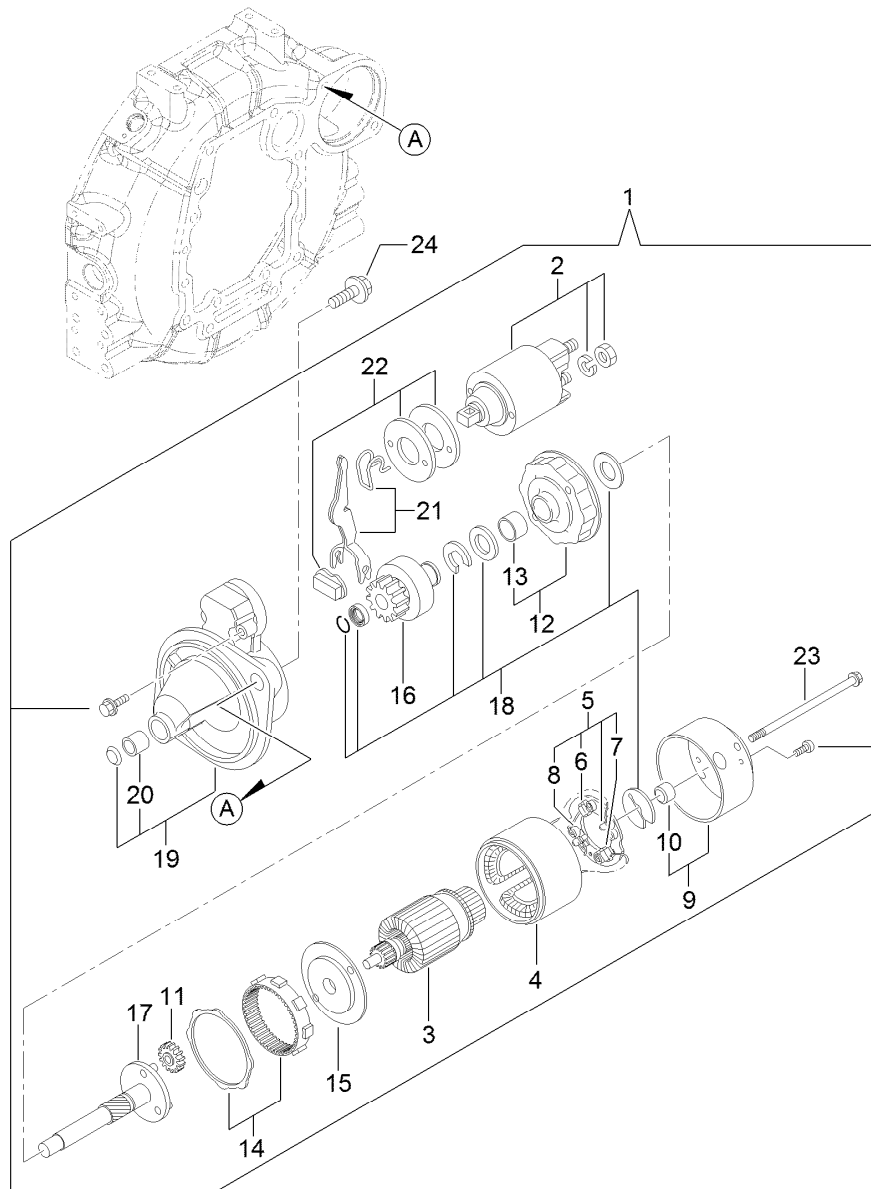
Fuel Injection Valve Assembly

Ref.	Part Number	Qty.	Description
1	127-4754	3	Injector ASM
4	131-2708	3	Ring, Retaining
6	127-3812	1	Rail ASM
7	131-2709	1	Sensor-Pressure, Rail
8	131-2710	1	Valve ASM
9	131-2711	1	O-Ring
10	125-7215	2	Bolt
11	127-3813	2	Retainer
13	127-3082	1	Rail In Pipe ASM
15	127-3814	1	Injection Pipe ASM
16	127-3083	1	Injection Pipe ASM
17	127-3084	1	Injection Pipe ASM
18	125-7231	2	Nut



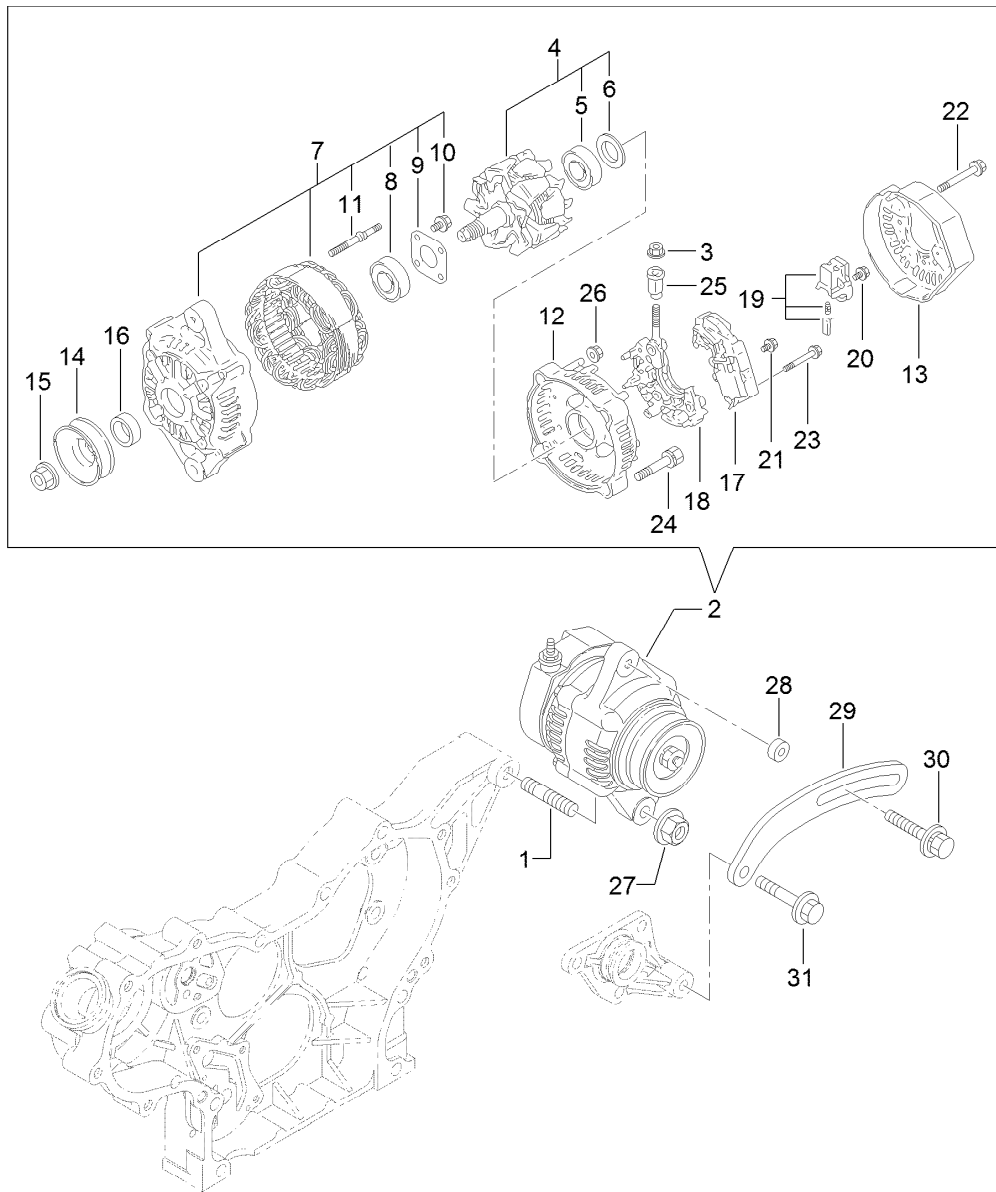
Fuel Pipe Assembly

<i>Ref.</i>	<i>Part Number</i>	<i>Qty.</i>	<i>Description</i>	<i>Ref.</i>	<i>Part Number</i>	<i>Qty.</i>	<i>Description</i>
1	127-3075	1	Filter ASM	13	127-3172	1	Clamp-Hose
2	127-3076	1	Bracket ASM	14	127-3078	1	Fuel Pipe ASM
3	125-8752	1	Filter-Fuel	17	125-7191	2	Clamp-Hose
4	131-2731	1	Bracket-Filter, Fuel	18	127-3817	1	Fuel Pipe ASM
5	125-7216	2	Bolt	19	127-2950	2	Clip
6	131-2740	1	Bolt-Plated, M10X 22	22	127-3087	1	Band-Clip
7	131-2732	1	Fuel Pipe ASM	23	131-2733	1	Fuel Pipe ASM
10	125-7191	2	Clamp-Hose	24	127-2950	2	Clip
11	127-3816	1	Fuel/Oil Return Pipe ASM	26	125-6900	1	Label-Caution, Fuel Oil



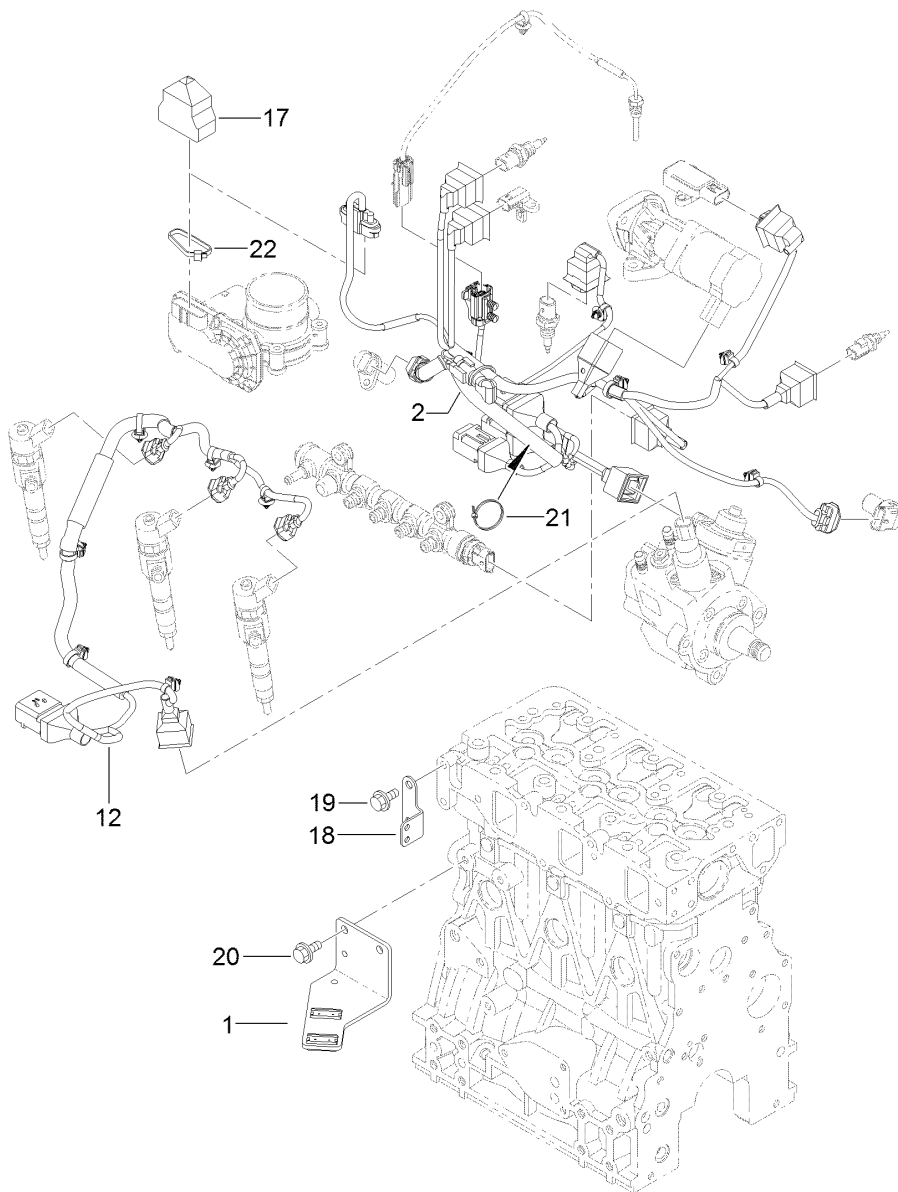
Starting Motor Assembly

<i>Ref.</i>	<i>Part Number</i>	<i>Qty.</i>	<i>Description</i>	<i>Ref.</i>	<i>Part Number</i>	<i>Qty.</i>	<i>Description</i>
1	127-3818	1	Starter ASM	13	127-3830	1	Bracket
2	127-3819	1	Switch ASM	14	127-3831	1	Gear
3	127-3820	1	Armature ASM	15	127-3832	1	Bracket
4	127-3821	1	Yoke ASM	16	127-3833	1	Pinion ASM
5	127-3822	1	Brush Holder ASM	17	127-3834	1	Shaft
6	127-3823	2	Brush	18	127-3835	1	Washer Set
7	127-3824	1	Brush Set	19	127-3836	1	Case ASM
8	127-3825	4	Spring	20	127-3837	1	Metal-Starter
9	127-3826	1	Cover ASM	21	127-3838	1	Lever Set
10	127-3827	1	Metal	22	127-3839	1	Dust Cover ASM
11	127-3828	3	Gear	23	127-3840	2	Bolt-Through
12	127-3829	1	Bracket	24	125-7225	2	Bolt



Generator Assembly

Ref.	Part Number	Qty.	Description	Ref.	Part Number	Qty.	Description
1	127-3011	1	Stud	17	127-3847	1	Regulator ASM
2	127-3841	1	Generator	18	127-3848	1	Holder
3	127-3190	1	Nut	19	127-2993	1	Holder
4	127-3843	1	Rotor ASM	20	127-2965	6	Screw
5	127-2983	1	Bearing-Ball	21	127-2966	1	Screw
6	127-2962	1	Cover	22	127-2967	3	Bolt
7	127-3844	1	Frame ASM	23	127-2968	2	Screw
8	127-2958	1	Bearing-Ball	24	127-2969	2	Bolt
9	127-2959	1	Plate-Retainer	25	127-2970	1	Bushing-Insulation
10	127-2960	4	Screw	26	127-2971	2	Nut
11	127-2961	2	Stud	27	125-7230	1	Nut
12	127-3845	1	Frame	28	125-6947	1	Spacer
13	127-3846	1	Cover	29	127-2977	1	Adjuster
14	127-2954	1	Pulley	30	125-7134	1	Bolt
15	127-2955	1	Nut	31	125-7219	1	Bolt
16	127-2957	1	Collar				



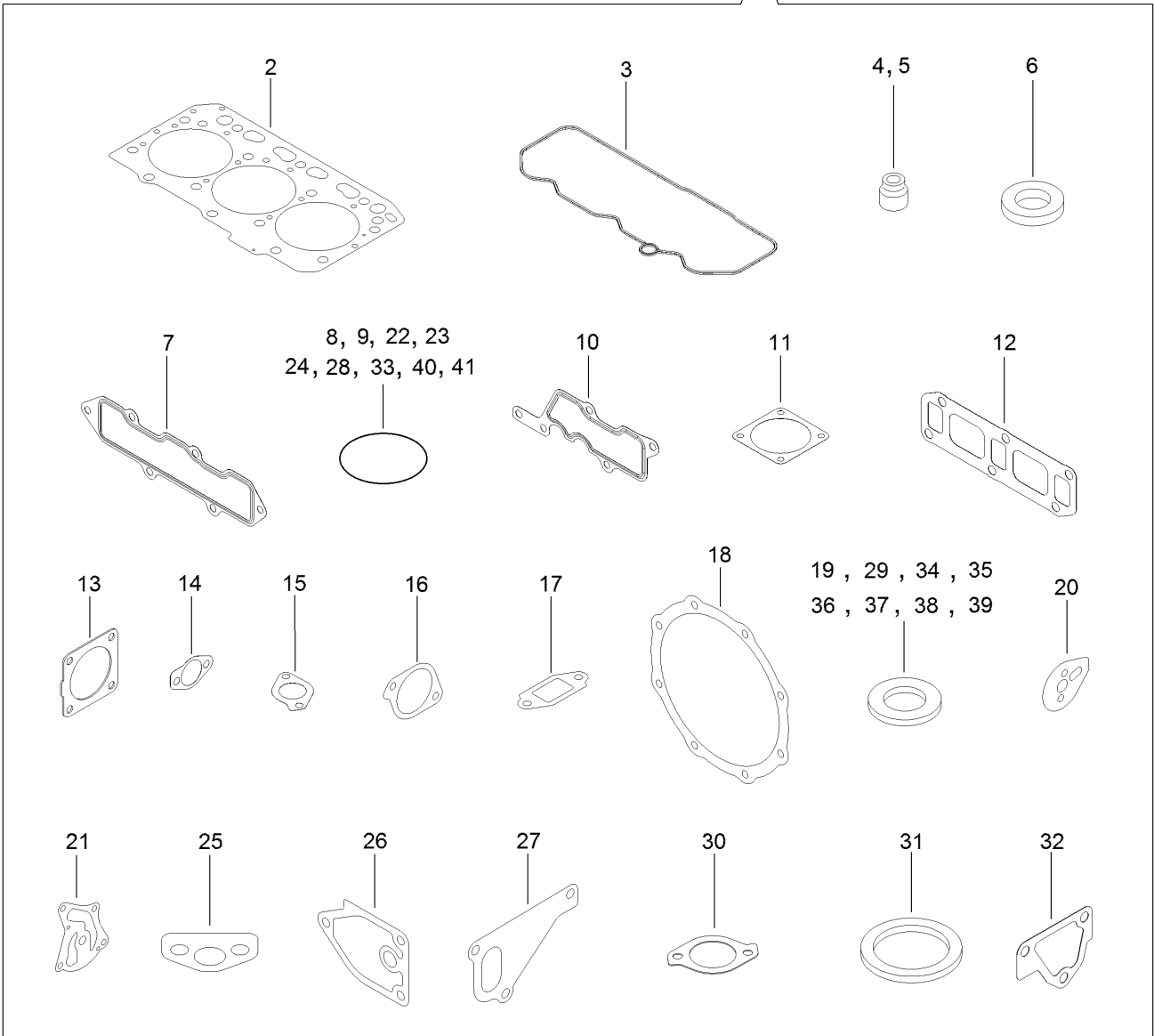
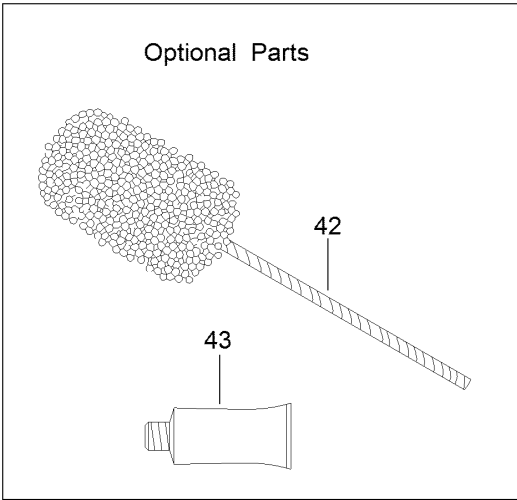
Electric Parts Assembly

Ref.	Part Number	Qty.	Description
1	131-2735	1	Bracket-Connector
2	131-2736	1	Harness-B, T4
12	131-2712	1	Harness
17	131-2713	1	Boot-Cap Type
18	127-3090	1	Bracket-Harness
19	125-7212	2	Bolt
20	125-7213	2	Bolt
21	127-3187	1	Band
22	127-3188	1	Band

Cooling Water System Assembly (continued)

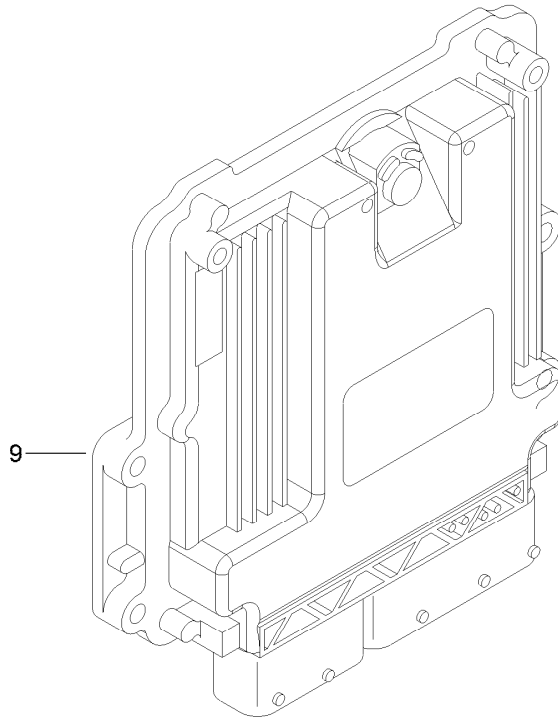
<i>Ref.</i>	<i>Part Number</i>	<i>Qty.</i>	<i>Description</i>	<i>Ref.</i>	<i>Part Number</i>	<i>Qty.</i>	<i>Description</i>
1	131-2714	1	Water Pump ASM	25	127-4702	1	Fan
3	125-6998	1	Gasket	26	131-2705	1	Spacer
4	125-6999	1	Plate	27	131-2739	4	Bolt-Plated, M6X 30
9	125-7001	1	Elbow	28	125-7029	1	Thermostat
10	127-3017	1	Joint	29	125-7026	1	Gasket
11	125-7123	2	Plug	30	131-2728	1	Cover-Thermostat
12	125-7195	1	Plug	31	125-7110	1	Gasket
13	125-7234	3	Screw	32	125-7594	1	Bolt
14	125-7047	1	Gasket	33	125-7220	1	Bolt
15	125-6986	1	Joint	34	125-6953	1	Plug
16	125-7048	1	O-Ring	35	125-7124	1	Sensor
17	125-6978	1	Gasket	36	125-6979	1	Gasket
18	125-7192	1	Gasket	37	125-7176	1	Washer-Seal
19	125-7212	1	Bolt	38	127-4705	1	Elbow
20	125-7214	3	Bolt	39	127-4757	1	E G R-C Pipe ASM
21	125-7219	1	Bolt	40	127-3020	2	Clamp-Hose
22	125-7222	3	Bolt	43	127-3811	1	CW Pipe ASM
23	127-4712	1	V-Pulley	44	127-3020	2	Clamp-Hose
24	127-4771	1	V-Belt				

Gasket Set



Gasket Set (continued)

<i>Ref.</i>	<i>Part Number</i>	<i>Qty.</i>	<i>Description</i>	<i>Ref.</i>	<i>Part Number</i>	<i>Qty.</i>	<i>Description</i>
1	131-2737	1	Packing	23	127-2973	1	O-Ring
2	127-4716	1	Head Gasket ASM	24	125-7075	1	O-Ring
3	127-3856	1	Gasket-Head, Cylinder	25	125-7022	1	Gasket
4	127-2986	3	Seal-Stem, Valve	26	125-7024	1	Gasket
5	127-3027	3	Seal-Stem, Valve	27	125-7047	1	Gasket
6	127-3021	3	Gasket-Injector	28	125-7048	1	O-Ring
7	127-3857	1	Gasket-Manifold, Intake	29	125-6979	1	Gasket
8	127-3032	2	O-Ring	30	125-7110	1	Gasket
9	127-3033	1	O-Ring	31	125-7026	1	Gasket
10	127-3034	1	Gasket-Collector	32	125-6978	1	Gasket
11	127-3037	2	Gasket-Throttle	33	127-3074	1	O Ring-Pump, Fuel
12	127-3775	1	Gasket-Manifold, Exhaust	34	125-7174	1	Washer-Seal
13	127-2987	1	Gasket	35	125-7176	1	Washer-Seal
14	127-3043	2	Gasket-Cooler, E G R	36	127-3166	2	Washer-Seal
15	127-3016	1	Gasket	37	125-7177	1	Washer-Seal
16	127-3050	1	Gasket-Intake Valve, E G R	38	125-7192	1	Gasket
17	127-3051	1	Gasket-Out Valve, E G R	39	127-3174	2	Gasket
18	127-3859	2	Gasket-D P F	40	93-0418	3	O-Ring
19	127-3056	4	Gasket-Sensor	41	125-7197	2	O-Ring
20	127-3069	1	Gasket-Idle, Shaft B	42	127-3000	1	Hone
21	127-3004	1	Gasket	43	125-7248	1	Gasket-Liquid
22	125-6909	2	O-Ring				



Electronic Control Unit Assembly

<i>Ref.</i>	<i>Part Number</i>	<i>Qty.</i>	<i>Description</i>
9	127-3085	1	E C U A S M

Attachments and Accessories

For 31200 Groundsmaster 360 4-Wheel Drive Multi-Purpose Machine

Product Name	Model/Part
Blade-Belt Kit, 72in Side Discharge Deck	105-7272
Green Diesel Cap	107-2172
Premium Transmission/Hydraulic Tractor Fluid (55 Gallon Drum).....	108-1183
Premium Transmission/Hydraulic Tractor Fluid (5 Gallon Pail)	108-1184
Leaf Mulching Kit	108-5273
Blade-Rotary, Medium Flow (24.5in).....	110-0621-03
Blade-Rotary, Atomic (24.5in).....	110-0624-03
5in Air Cleaner Safety Element.....	114-4057
Slow Moving Vehicle Sign Kit.....	115-0014
Electrical Accessory Kit	115-0019
Hourmeter, Wireless Hourmeter System	115-4754
Atomic Blade Kit (3 Blade Pack)	119-8020
Beacon Kit	120-0256
Vinyl Backrest Extension Kit	120-0583
Auxiliary Power Unit.....	120-6675
Registration Plate Kit	120-6678
Weight Transfer Kit	120-6683
Premium Engine Oil 15w40 (55 Gallon Drum)	121-6394
Premium Engine Oil 15w40 (5 Gallon Pail)	121-6395
MVP Filter Kit.....	30261
72in Base Deck.....	30353
72in Side Discharge Mower (CE).....	30354
Hardtop Sunshade.....	30359
V-Plow Mounting Kit.....	30378
72in Side Discharge Deck.....	30481
Quick Attach Front Frame.....	30509
Grammer Seat with Air Ride Suspension.....	30511
Road Homologation Light Kit, Non-Cab Unit (Europe)	30512
Road Light Kit, Non Cab Unit (North America)	30513
Jack Stand Kit.....	30579
CE Kit, 72in Side Deck With French Guards	30679
CE Guard Kit, Groundsmaster 360 Multi-Purpose Machine	30689
48in V-Plow.....	30750
100in Rear Discharge Deck	31101
Winter Attachment Joystick Kit	31219
Winter Enclosure	31220
Diagnostic Display Box.....	85-4750
Locking Latch	98-9315

For 31200A Groundsmaster 360 4-Wheel Drive Multi-Purpose Machine

Product Name	Model/Part
Blade-Belt Kit, 72in Side Discharge Deck	105-7272
Green Diesel Cap	107-2172
Premium Transmission/Hydraulic Tractor Fluid (55 Gallon Drum).....	108-1183

Attachments and Accessories (continued)

Premium Transmission/Hydraulic Tractor Fluid (5 Gallon Pail)	108-1184
Leaf Mulching Kit	108-5273
Blade-Rotary, Medium Flow (24.5in).....	110-0621-03
Blade-Rotary, Atomic (24.5in).....	110-0624-03
5in Air Cleaner Safety Element.....	114-4057
Slow Moving Vehicle Sign Kit.....	115-0014
Electrical Accessory Kit	115-0019
Hourmeter, Wireless Hourmeter System	115-4754
Atomic Blade Kit (3 Blade Pack)	119-8020
Beacon Kit	120-0256
Vinyl Backrest Extension Kit	120-0583
Auxiliary Power Unit.....	120-6675
Registration Plate Kit	120-6678
Weight Transfer Kit	120-6683
Premium Engine Oil 15w40 (55 Gallon Drum)	121-6394
Premium Engine Oil 15w40 (5 Gallon Pail)	121-6395
MVP Filter Kit.....	30261
72in Base Deck.....	30353
72in Side Discharge Mower (CE).....	30354
Hardtop Sunshade.....	30359
V-Plow Mounting Kit.....	30378
72in Side Discharge Deck.....	30481
Quick Attach Front Frame.....	30509
Grammer Seat with Air Ride Suspension.....	30511
Road Homologation Light Kit, Non-Cab Unit (Europe)	30512
Road Light Kit, Non Cab Unit (North America)	30513
Jack Stand Kit.....	30579
CE Kit, 72in Side Deck With French Guards	30679
48in V-Plow.....	30750
100in Rear Discharge Deck	31101
Winter Attachment Joystick Kit	31219
Winter Enclosure	31220
Diagnostic Display Box.....	85-4750
Locking Latch	98-9315

Notes:

Notes:

Notes:



Count on it.