



RECYCLER[®] KIT

for 52" Mowers

Model No. 79185

INSTALLATION INSTRUCTIONS

Loose Parts

Note: Use the chart below to identify parts used for assembly.

DESCRIPTION	QTY.	USE
Kicker	3	Install kickers
Bolt 5/16-18 x 1" (26 mm)	3	
Spacer	3	
Lock nut 5/16"	3	
Recycler [®] blade	3	Replace standard blades on mower
Baffle left side	1	Install Recycler [®] baffles
Baffle right side	1	
Bolt 5/16-18 x 5/8" (16 mm)	8	
Bolt 5/16-18 x 1" (26 mm)	1	
Lock nut 5/16"	9	
Decal	1	Install onto mower

Install Kickers

1. Remove the mower from tractor; refer to Removing the Mower, in Mower Operator's Manual.
2. Thoroughly clean the mower. All debris must be removed to ensure baffle will fit properly against cutting chamber.
3. Tip the mower upside down and block up ends to ease installation of kickers.
4. Place spacers and kickers inside mower, over holes provided (Fig. 1). Secure with 5/16-1" (26 mm) bolts through from inside mower, except center through from outside, and 5/16" lock nuts (Fig. 1).

IMPORTANT: Bolt for center kicker must go through with head on the outside of mower.

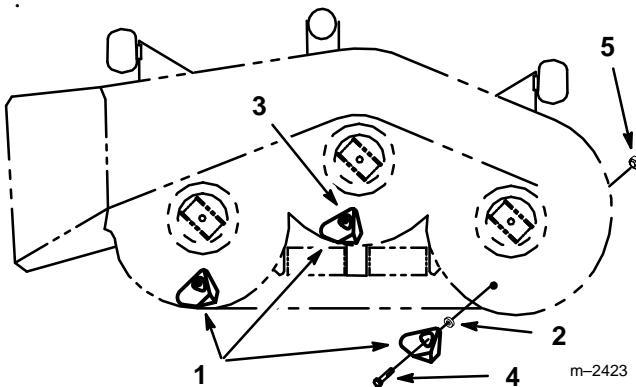


Figure 1

1. Kicker
2. Spacer
3. Head on outside of mower
4. Bolt 5/16-18 x 1" (26 mm)
5. Lock nut 5/16"

Installing the Recycler® Baffle

1. Place left and right sides of baffle together with center pin inserted into flange. Secure flanges with 5/16 x 5/8" (16 mm) bolt and 5/16" lock nut. (Fig. 2).
2. Place baffle assembly inside cutting chamber. (Fig. 2). Secure with 5/16-5/8" (16 mm) bolts, all heads through from inside, and 5/16" lock nuts.
3. Tighten all mounting hardware securely.

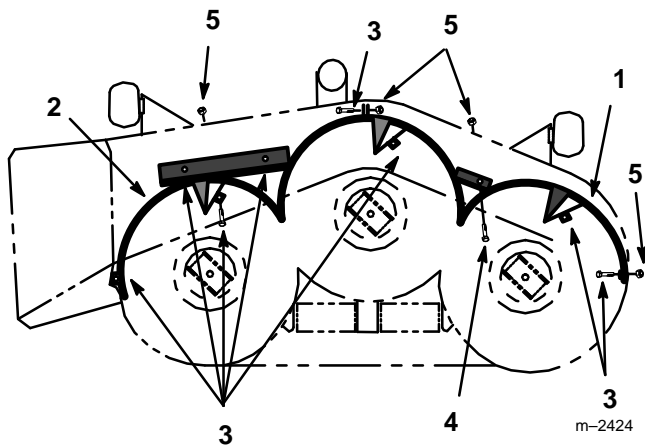


Figure 2

1. Baffle left side
2. Baffle right side
3. Bolt 5/16-18 x 5/8" (16mm)
4. Bolt 5/6-18 x 1" (26 mm)
5. Lock nut 5/16"

Install Recycler® Blades

1. Remove standard blade and replace with Recycler® blades in kit. Secure with blade stiffener and bolt previously removed (Fig. 3).
2. Rotate blades to assure there is at least 1/8" clearance between blades and baffle.

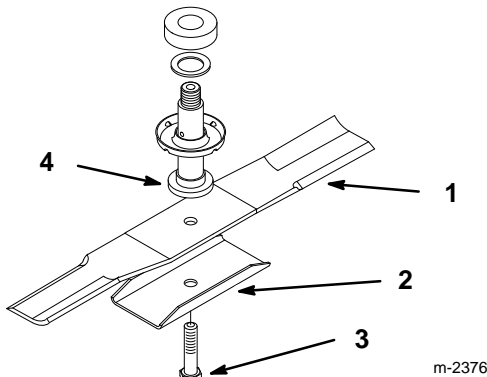


Figure 4

- | | |
|--------------------|------------|
| 1. Recycler® blade | 3. Bolt |
| 2. Blade stiffener | 4. Spindle |

Install Recycler® Decal

1. Remove backing paper and apply decal to discharge side of mower (Fig. 5). Smooth from center to edges to remove air bubbles.

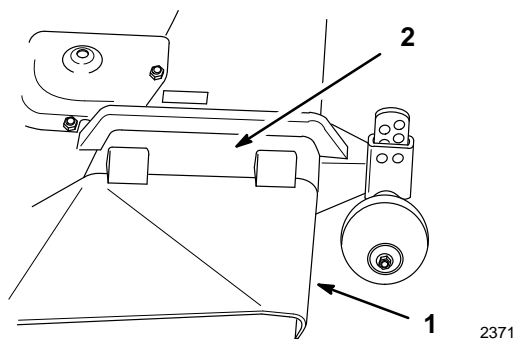


Figure 5

- | | |
|-------------------------|----------------|
| 1. Mower discharge side | 2. Apply decal |
|-------------------------|----------------|

2. Install mower onto tractor; refer to Installing the Mower, in Mower Operator's Manual.

Removing the Recycler® Baffle

1. Thoroughly clean the mower.
2. Remove lock nuts from top and center of right side baffle (Fig. 6). Lower baffle and slide out of discharge opening to remove.

Note: Only the right side baffle need be removed for side discharge mowing.

3. Install previously removed 5/16-5/8" (16 mm) bolts and 5/16" lock nuts in open holes of mower for safety (Fig. 6).

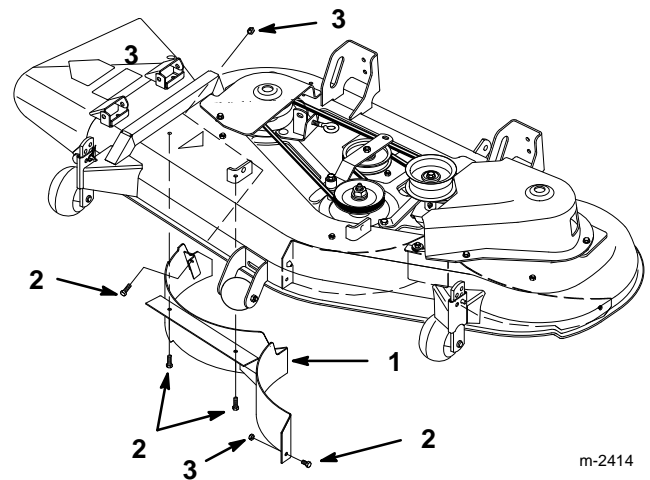


Figure 6

- | | |
|-----------------------------|-------------------|
| 1. Baffle left side | 3. Lock nut 5/16" |
| 2. Bolt 5/16 x 5/8" (16 mm) | |

! DANGER

POTENTIAL HAZARD

- Open holes in the mower expose you and others to thrown debris.

WHAT CAN HAPPEN

- Debris thrown out of holes in the mower can cause injury.

HOW TO AVOID THE HAZARD

- Never operate mower without hardware mounted in all holes in mower.
- Install hardware in mounting holes when recycle baffle is removed.