



Count on it.

Parts Catalog

**TimeCutter® ZS 3200S Riding
Mower**

Model No. 74388—Serial No. 314000001 and Up



Ordering Replacement Parts

To order replacement parts, please supply the part number, the quantity, and the description of each part desired.

Understanding Reference Numbers

Each identified part in an illustration has a reference number. The reference number for a part also appears in the parts list, along with other information about the part.

This catalog uses two special reference number formats, one to indicate parts in a service assembly and another to indicate the quantity of a given part in an illustration.

Service Assembly Reference Numbers

Parts in service assemblies have reference numbers in the form a:b. The a represents the reference number of the entire service assembly and the b represents a sequential number unique to each part within the service assembly.

For example, a wheel assembly might be identified by reference number 6, the tire by 6:1, the valve by 6:2, and the wheel by 6:3. When you order the assembly identified by reference number 6, you receive all parts identified by reference numbers 6:1, 6:2, and 6:3. However, you may also order any part individually. Reference numbers of this type appear in illustration and in parts lists.

Reference Numbers Indicating Quantity

In an illustration, if a reference number indicates more than one part, the reference number has the form nX y. The n represents the quantity of the part, the X is the multiplication symbol, and the y represents the reference number.

For example, in an illustration, the reference number 2X 37 means that two of the parts identified by reference number 37 are indicated.

List of Abbreviations

AR: as required

ASM: assembly

BBC: blade brake control

BHTF: button head thread forming

CARR: carriage

CCW: counter clockwise

CW: clockwise

DEG: degrees

DPA: Dual Point Adjustment

ECM: electronic control module

EXT: external

FH: flat head

GA: gauge

HD: heavy-duty

HF: hex flange

HH: hex head

HHF: hex head flange

HHFTF: hex head flange thread forming

HJ: hex jam

HLH: hex lag head

HOC: height-of-cut

HP: high pressure

HSBH: hex socket button head

HSFH: hex socket flat head

HSH: hex socket head

HWH: hex washer head

HWHTF: hex washer head thread forming

HYD: hydraulic

LH: left hand

LP: low pressure

LPG: Liquefied Petroleum Gas

NI: nylon insert

NPTF: national pipe thread fine

PFH: phillips flat head

PPH: phillips pan head

PPHTF: phillips pan head thread forming

PRH: phillips round head

PTH: phillips truss head

PTO: power-take-off

RH: right hand

ROPS: roll-over protection system

RRB: rear roller brush

SFH: slotted fillister head

SHH: slotted hex head

SHWH: slotted hex washer head

SPH: slotted pan head

SQH: square head

SRH: slotted round head

STD: standard

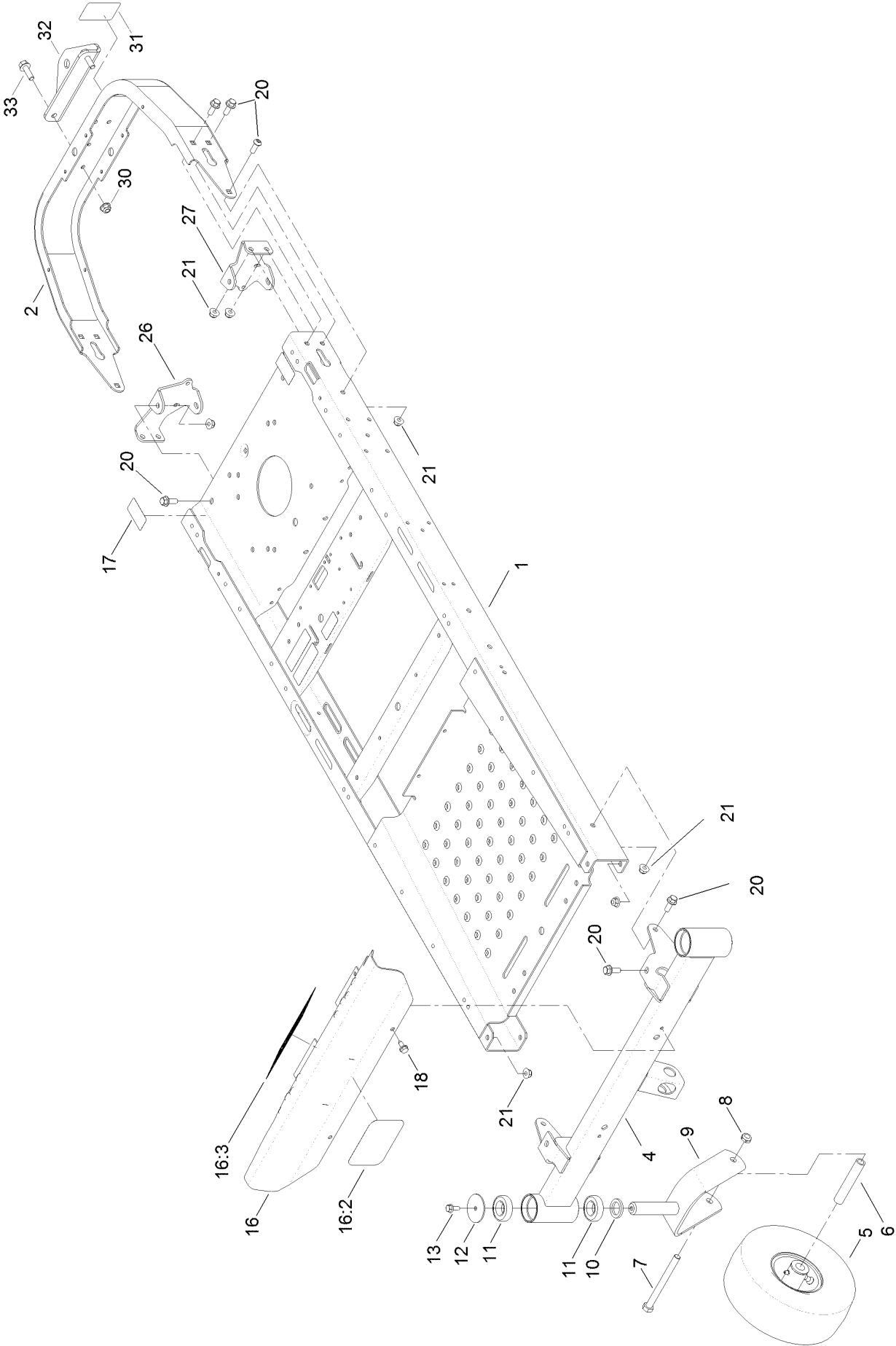
TAP: self tapping

TTH: torx truss head

Contents

Frame, Front Axle and Caster Wheel Assembly	4
Caster Wheel Assembly No. 130-0736.....	6
Seat Assembly	8
Motion Control Assembly	10
Belt and Idler Assembly.....	12
Hydro Transaxle Assembly	14
Right Hand Hydro Transaxle Assembly No. 119-3331	16
Left Hand Hydro Transaxle Assembly No. 119-3330	18
Clutch Assembly	20
Engine and Exhaust Assembly.....	22
No. 1 Engine Assembly No. 120-4380	24
No. 2 Engine Assembly No. 120-4380	26
No. 3 Engine Assembly No. 120-4380	28
Body Styling and Fuel Pod Assembly	30
Fuel Delivery Assembly.....	32
Electrical Assembly	34
Deck Lift Assembly.....	36
32 Inch Deck Assembly.....	38
32 Inch Deck Baffle Assembly	40
32 Inch Deck, Belt and Blade Assembly	42
Attachments and Accessories	44

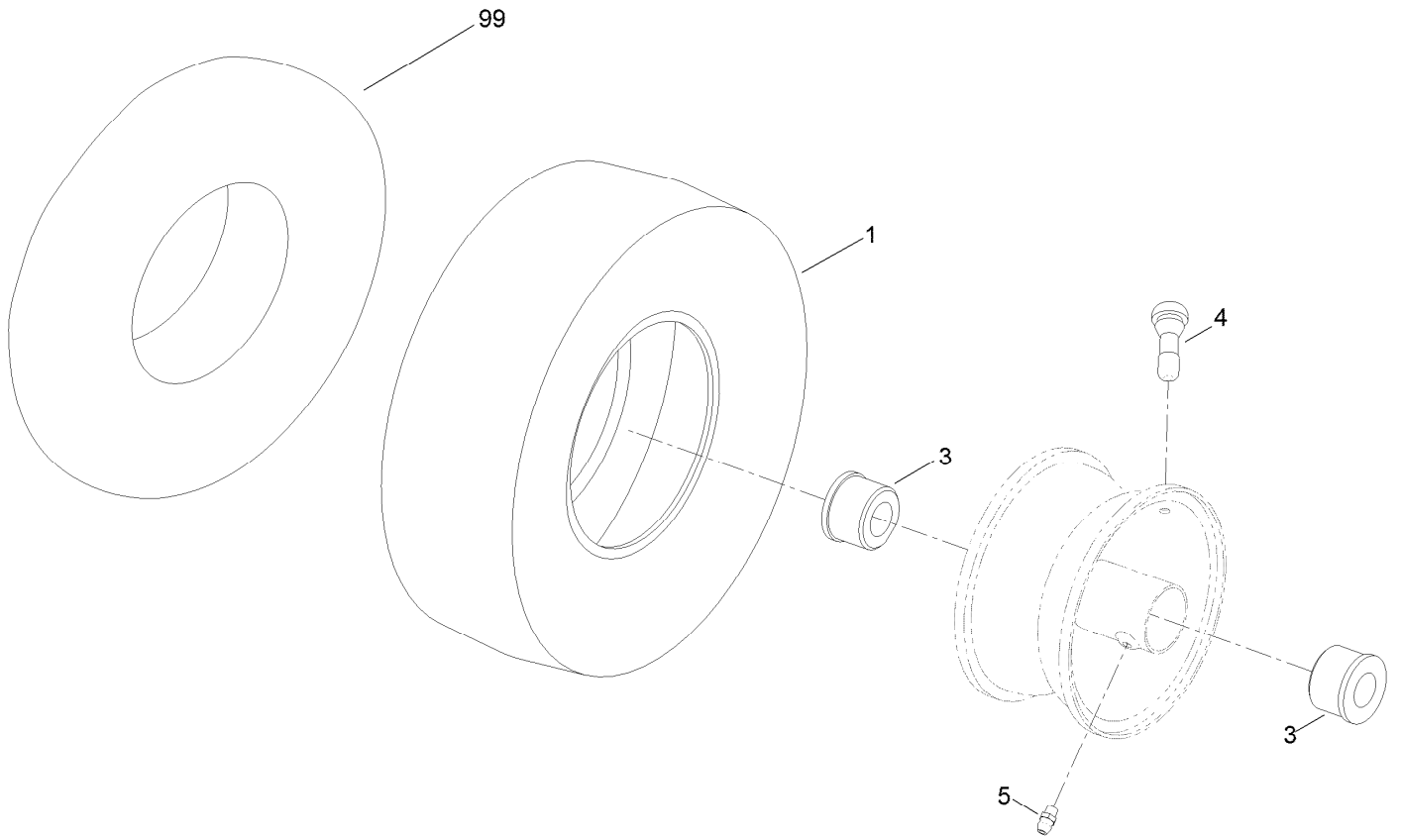
Frame, Front Axle and Caster Wheel Assembly



Frame, Front Axle and Caster Wheel Assembly (continued)

<i>Ref.</i>	<i>Part Number</i>	<i>Qty.</i>	<i>Description</i>	<i>Ref.</i>	<i>Part Number</i>	<i>Qty.</i>	<i>Description</i>
1	121-2970-01	1	Frame	16:2	105-8278	1	Decal
2	110-1920-01	1	Bumper-Rear	16:3	120-2239	1	Decal-Danger
4	120-5516-01	1	Axle-Front	17	121-2989	2	Decal-Bypass
5	130-0736	2	Caster Wheel ASM	18	32144-70	2	Screw-HWHTF
6	104-3667	2	Spanner-Wheel	20	3234-42	12	Screw-HHF
7	325-22	2	Screw-HH	20	3274-94	2	Screw-HSBH
8	3296-45	2	Nut-Lock, NI	21	104-8301	14	Nut-Flange, NI
9	120-7964-01	2	Caster Fork ASM	26	121-0737-01	1	Mount-Hydro, Rear (RH)
10	117-7394	2	Washer-Thrust	27	121-0738-01	1	Mount-Hydro, Rear (LH)
11	109-3678	4	Bearing-Ball	30	104-8300	2	Nut-Flange, NI
12	119-8915	2	Washer	31	130-6877	1	Decal
13	3234-47	2	Screw-HHF	32	117-1232-03	1	Bracket-Hitch
16	125-0072	1	Footrest ASM	33	3234-29	2	Screw-HHF

Caster Wheel Assembly No. 130-0736

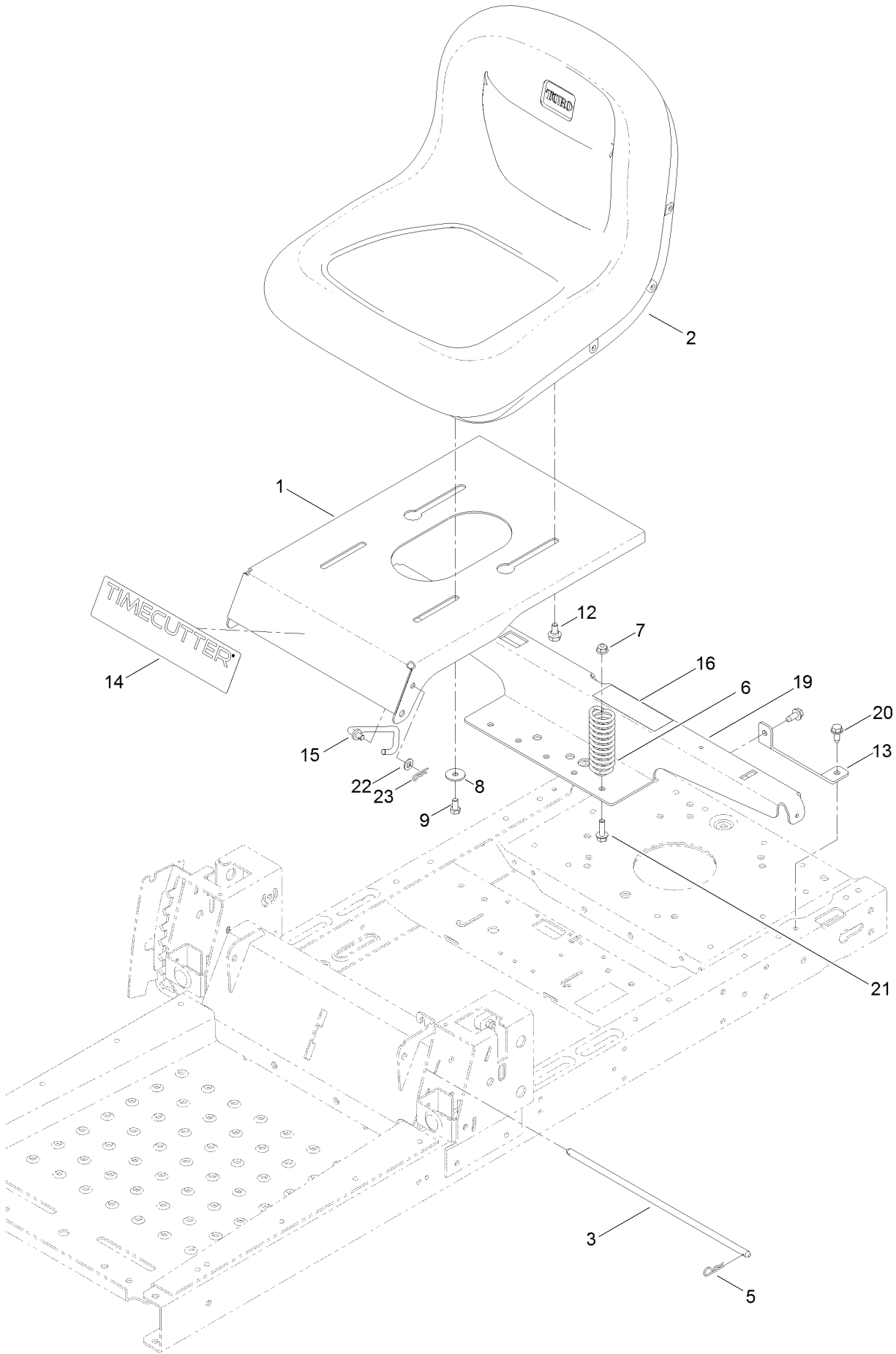


Caster Wheel Assembly No. 130-0736 (continued)

<i>Ref.</i>	<i>Part Number</i>	<i>Qty.</i>	<i>Description</i>
1	130-0735	1	Tire
3	114-1640	2	Bushing-Flange
4	232-27	1	Stem-Valve

<i>Ref.</i>	<i>Part Number</i>	<i>Qty.</i>	<i>Description</i>
5	302-5	1	Fitting-Grease
99	105-0844	1	Tube-Inner

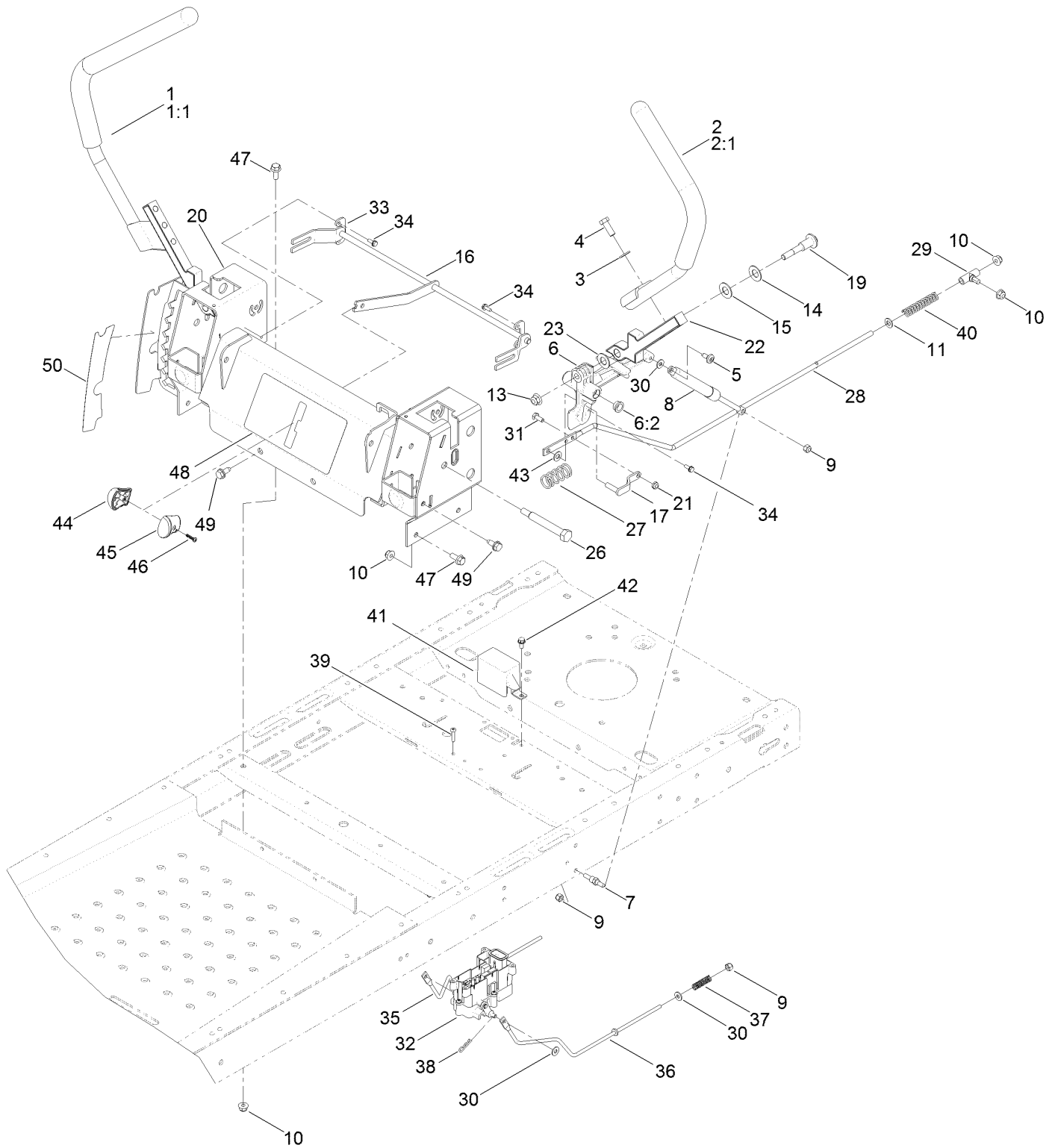
Seat Assembly



Seat Assembly (continued)

<i>Ref.</i>	<i>Part Number</i>	<i>Qty.</i>	<i>Description</i>	<i>Ref.</i>	<i>Part Number</i>	<i>Qty.</i>	<i>Description</i>
1	119-3391-01	1	Pan-Seat	13	119-3431-03	2	Support-Tank, Rear
2	119-8828	1	Seat-15 Inch	14	121-3032	1	Decal-Timecutter Zs 3200S
3	119-3433	1	Rod-Pivot, Narrow	15	119-8972	1	Stop-Seat
5	3290-250	2	Pin-Cotter	16	106-8717	1	Decal-Service
6	92-7054	3	Spring-Compression	19	121-0732-03	1	Support-Pod
7	104-8300	3	Nut-Flange, NI	20	32144-70	4	Screw-HWHTF
8	5-4460	2	Washer-Pivot	21	3234-29	3	Screw-HHF
9	322-2	2	Screw-HH	22	3256-23	1	Washer-Flat
12	37-8771	2	Bolt-Shoulder	23	3290-307	1	Pin-Cotter

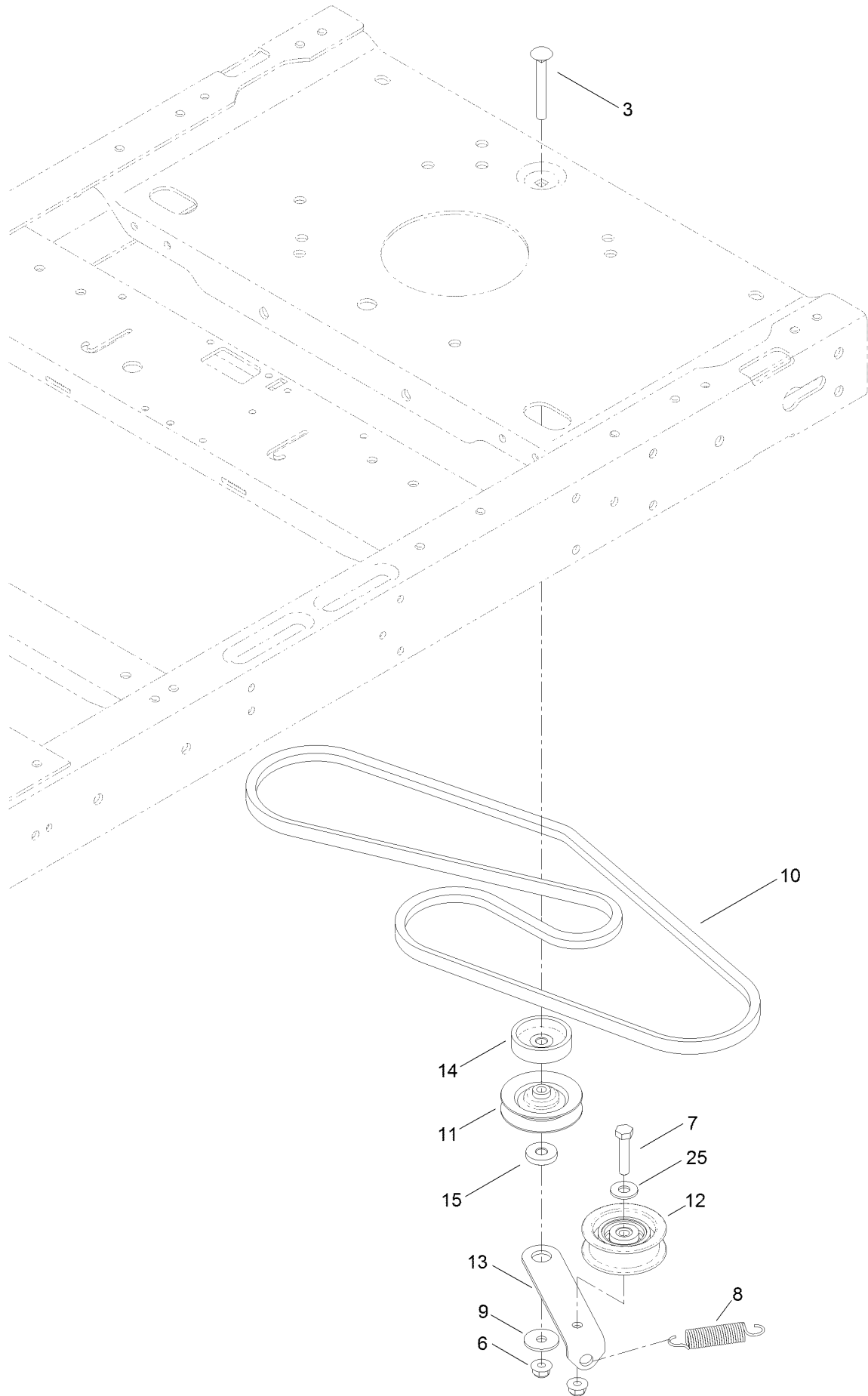
Motion Control Assembly



Motion Control Assembly (continued)

<i>Ref.</i>	<i>Part Number</i>	<i>Qty.</i>	<i>Description</i>	<i>Ref.</i>	<i>Part Number</i>	<i>Qty.</i>	<i>Description</i>
1	121-0731	1	Handle-Control, RH	27	119-8876	2	Spring-Return
1:1	121-0726	1	Grip	28	117-5388	2	Rod-Hydro
2	121-0730	1	Handle-Control, LH	29	119-8842	2	Mount-Rod, Hydro
2:1	121-0726	1	Grip	30	119-8952	8	Washer
3	3256-24	4	Washer-Flat	31	321-3	2	Screw-HH
4	323-6	4	Screw-HH	32	121-3017	1	Brake Control Module ASM
5	120-7950	2	Screw-Shoulder	33	117-5385	2	Retainer
6	119-3470	2	Actuator Arm ASM	34	32144-1	4	Screw-Taptite
6:2	256-156	2	Bushing-Flange	35	121-2974	1	Rod-Brake, RH
7	110-6810	2	Stud-Damper	36	121-2975	1	Rod-Brake, LH
8	103-2913	2	Damper-Control, Motion	37	117-1169	4	Spring-Compression
9	3296-42	6	Nut-Lock, NI	38	3290-307	2	Pin-Cotter
10	104-8300	10	Nut-Flange, NI	39	32144-36	4	Screw-PPH
11	3256-23	2	Washer-Flat	40	1-603807	2	Spring-Return, Neutral
13	104-8301	4	Nut-Flange, NI	41	119-8859	1	Cover-Brake
14	119-8925	2	Washer-Belleville	42	32144-4	1	Screw-HWH
15	117-1240	2	Washer	43	93-6079	2	Spacer-Nylon
16	119-8832	1	Control-Speed	44	119-8935	1	Knob-RH
17	119-3303	2	Pin-Rod, Hydro	45	119-8936	1	Knob-LH
19	117-1198	2	Bolt-Pivot	46	94-4496	1	Screw-PPH
20	125-5473-03	1	Control Box ASM	47	3234-47	6	Screw-HHF
21	3296-56	2	Nut-Lock, NI	48	120-5468	1	Decal-Speed Control
22	115-5098-05	2	Lever-Control	49	32144-70	4	Screw-HWHTF
23	120-2273	2	Washer-Nylon	50	120-5469	1	Decal
26	115-5099	2	Bolt-Pivot				

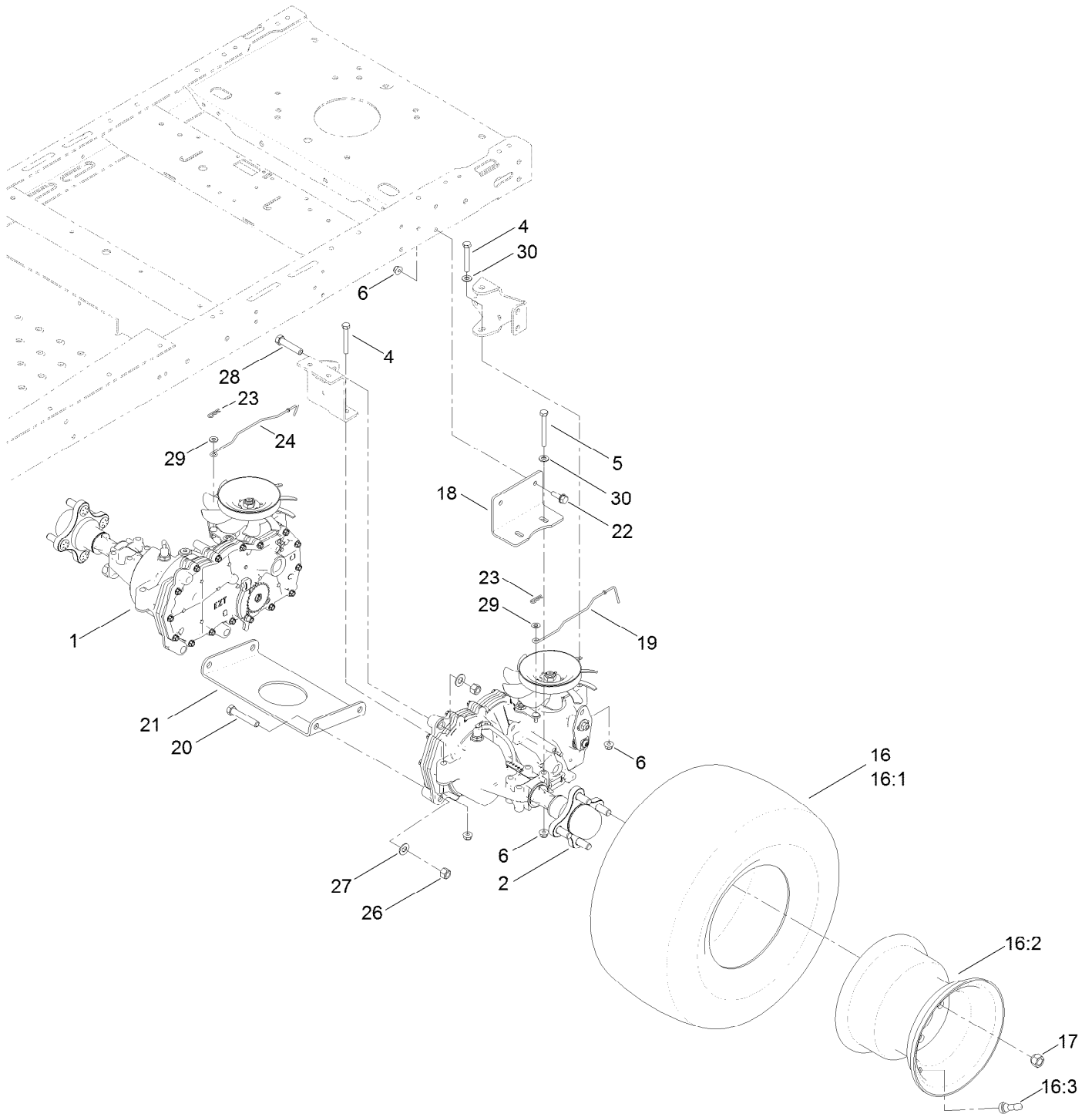
Belt and Idler Assembly



Belt and Idler Assembly (continued)

<i>Ref.</i>	<i>Part Number</i>	<i>Qty.</i>	<i>Description</i>	<i>Ref.</i>	<i>Part Number</i>	<i>Qty.</i>	<i>Description</i>
3	3230-8	1	Screw-CARR	11	119-8822	1	Pulley-Idler
6	104-8300	2	Nut-Flange, NI	12	106-2176	1	Pulley-Idler
7	322-7	1	Screw-HH	13	119-3326	1	Arm-Idler
8	104-6415	1	Spring-Return, Pedal	14	119-3353	1	Spacer
9	5-4460	1	Washer-Pivot	15	119-3327	1	Spacer-Arm, Idler
10	119-3309	1	V-Belt	25	3256-3	1	Washer-Flat

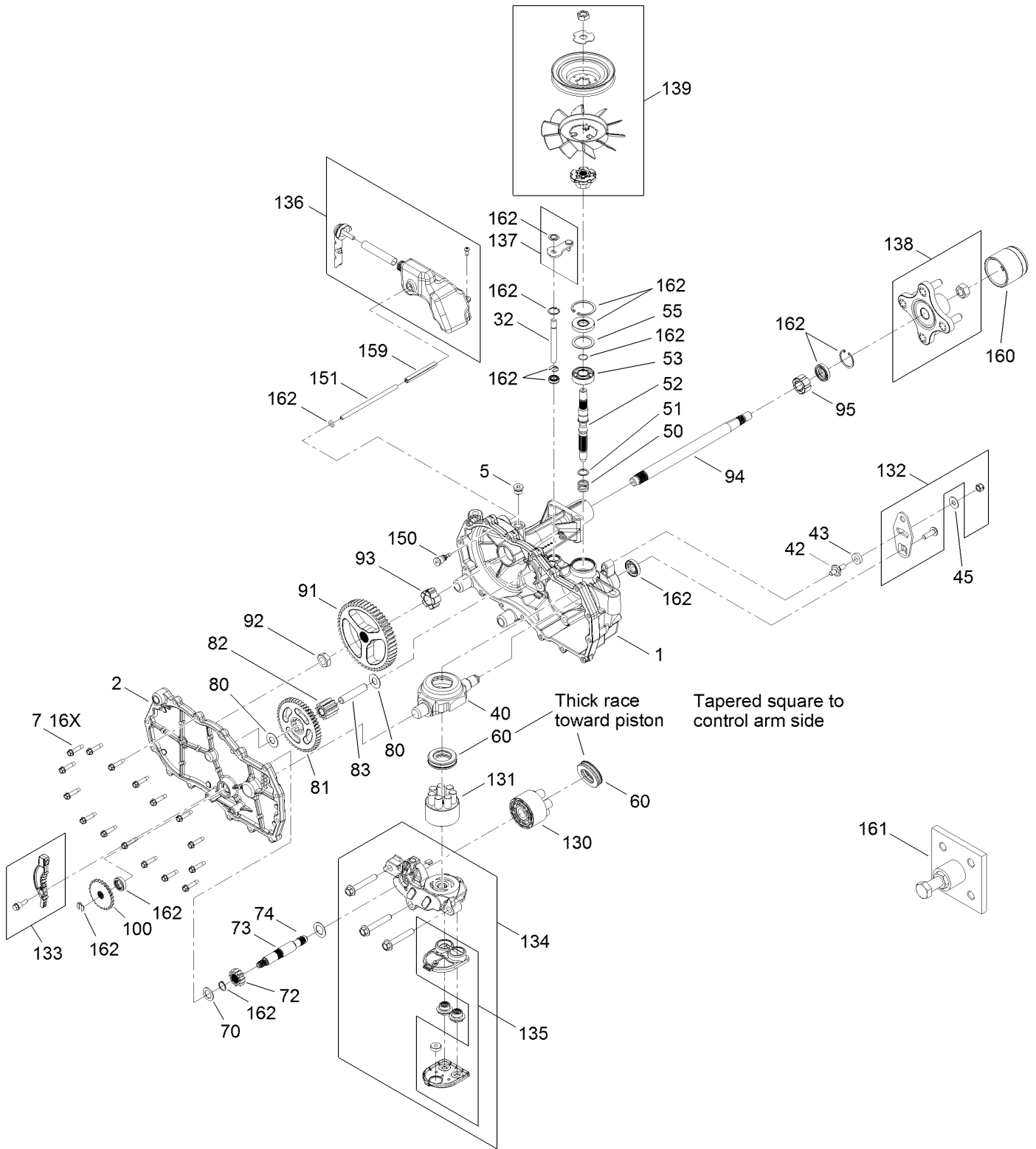
Hydro Transaxle Assembly



Hydro Transaxle Assembly (continued)

<i>Ref.</i>	<i>Part Number</i>	<i>Qty.</i>	<i>Description</i>	<i>Ref.</i>	<i>Part Number</i>	<i>Qty.</i>	<i>Description</i>
1	119-3331	1	RH Hydro Transaxle ASM	19	121-2971	1	Rod-Bypass, LH
2	119-3330	1	LH Hydro Transaxle ASM	20	324-10	4	Screw-HH
4	322-11	4	Screw-HH	21	119-3339-03	1	Plate-Cross, Hydro
5	322-13	4	Screw-HH	22	3234-29	4	Screw-HHF
6	104-8300	12	Nut-Flange, NI	23	3290-307	2	Pin-Cotter
16	119-3422	2	4 Ply Wheel And Tire ASM	24	121-0752	1	Rod-Bypass, RH
16:1	119-3423	1	Wheel	26	3296-48	6	Nut-Lock, NI
16:2	119-3421	1	Tire-4 Ply	27	3256-25	6	Washer-Flat
16:3	232-27	1	Stem-Valve	28	324-8	2	Screw-HH
17	242-50	8	Nut-Lug	29	119-8952	2	Washer
18	117-7264-03	2	Mount-Hydro	30	3256-23	6	Washer-Flat

Right Hand Hydro Transaxle Assembly No. 119-3331

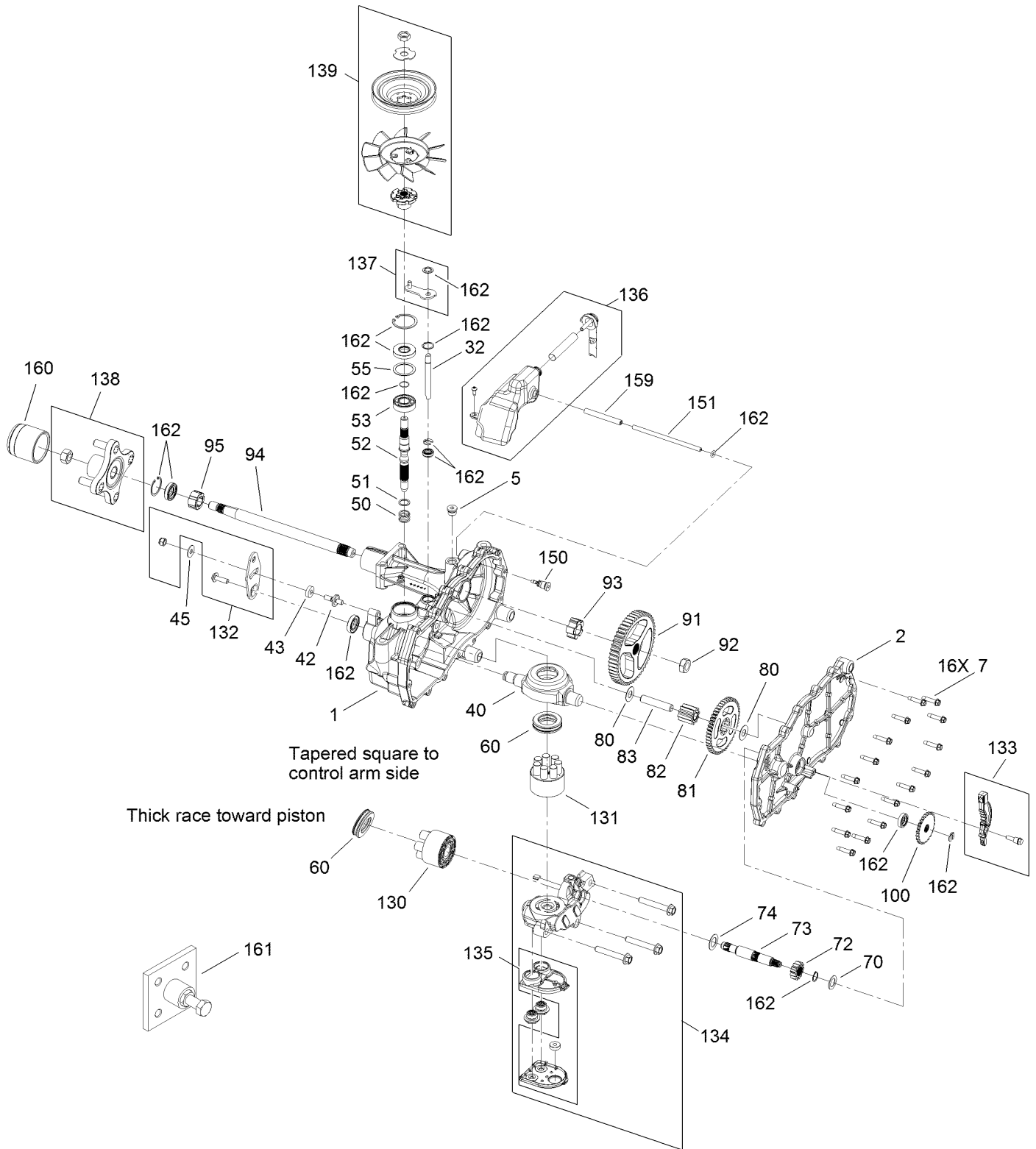


Right Hand Hydro Transaxle Assembly No. 119-3331 (continued)

<i>Ref.</i>	<i>Part Number</i>	<i>Qty.</i>	<i>Description</i>	<i>Ref.</i>	<i>Part Number</i>	<i>Qty.</i>	<i>Description</i>
1	120-5531	1	Main Housing ASM	83	104-5329	1	Pin-Jackshaft
2	120-5533	1	Housing Side Kit	91	120-5539	1	Gear-Bull
5	104-2189	1	Plug-Thread, Straight	92	104-2142	1	Nut-HJ
7	117-5359	16	Screw-HHF	93	115-8314	1	Bushing-Inboard
13	104-2147	1	Sealant ●	94	120-5540	1	Shaft-Axle
32	106-8678	2	Rod-Bypass	95	120-5541	1	Bearing-Sleeve
40	104-5304	1	Swashplate-Trunnion	100	106-8694	1	Disc-Brake, Cog
42	104-2116	1	Stud	130	103-2666	1	Cylinder Block Kit
43	112-9853	1	Puck-Friction	131	110-8561	1	Pump Block ASM
45	114-8491	1	Washer	132	117-5362	1	Arm Control Kit
50	120-5537	1	Spring-Compression	133	106-8688	1	Brake Arm Kit
51	120-5538	1	Washer	134	112-9862	1	Center Section Filter Kit
52	104-5306	1	Shaft-Input	135	114-1634	1	Filter Kit
53	104-5311	1	Bearing-Ball	136	121-5735	1	LH Expansion Tank Kit
55	104-5308	1	Spacer	137	107-2489	1	Bypass Arm Kit
60	94-6922	1	Bearing-Thrust	138	121-5731	1	Hub Kit
70	104-5339	1	Washer-Flat	139	121-5729	1	Fan Pulley Kit
72	104-5316	1	Gear-Pinion, 13T	150	104-5349	1	Fitting-Sae
73	106-8683	1	Shaft-Motor	151	115-8302	1	Hose
74	104-5360	1	Washer	159	121-5728	1	Case-Tube
80	119-5541	2	Washer	160	125-0041	1	Cap-Axle
81	104-5317	1	Gear-10T/48T	161	114-8467	1	Hub-Puller, 4 Bolt
82	104-5318	1	Gear-Jackshaft, 10T	162	120-7103	1	Seal And Ring Kit

● Not illustrated

Left Hand Hydro Transaxle Assembly No. 119-3330

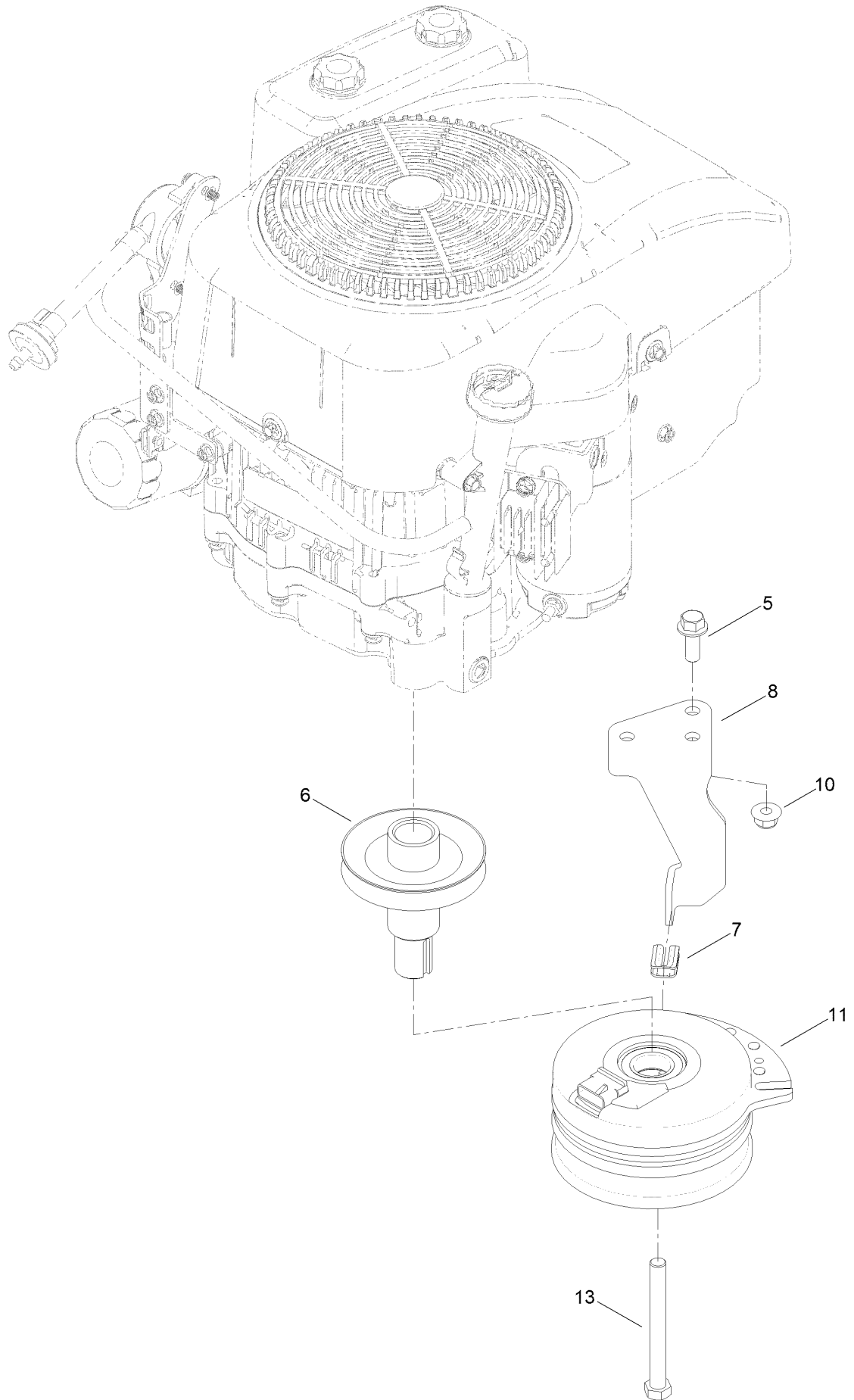


Left Hand Hydro Transaxle Assembly No. 119-3330 (continued)

<i>Ref.</i>	<i>Part Number</i>	<i>Qty.</i>	<i>Description</i>	<i>Ref.</i>	<i>Part Number</i>	<i>Qty.</i>	<i>Description</i>
1	120-5532	1	Main Housing ASM	83	104-5329	1	Pin-Jackshaft
2	120-5534	1	Housing Side Kit	91	120-5539	1	Gear-Bull
5	104-2189	1	Plug-Thread, Straight	92	104-2142	1	Nut-HJ
7	117-5359	16	Screw-HHF	93	115-8314	1	Bushing-Inboard
13	104-2147	1	Sealant ●	94	120-5540	1	Shaft-Axle
32	106-8678	2	Rod-Bypass	95	120-5541	1	Bearing-Sleeve
40	104-5304	1	Swashplate-Trunnion	100	106-8694	1	Disc-Brake, Cog
42	104-2116	1	Stud	130	103-2666	1	Cylinder Block Kit
43	112-9853	1	Puck-Friction	131	110-8561	1	Pump Block ASM
45	114-8491	1	Washer	132	117-5362	1	Arm Control Kit
50	120-5537	1	Spring-Compression	133	106-8688	1	Brake Arm Kit
51	120-5538	1	Washer	134	112-9861	1	Center Section Filter Kit
52	104-5306	1	Shaft-Input	135	114-1634	1	Filter Kit
53	104-5311	1	Bearing-Ball	136	121-5730	1	RH Expansion Tank Kit
55	104-5308	1	Spacer	137	120-5549	1	Bypass Kit
60	94-6922	1	Bearing-Thrust	138	121-5731	1	Hub Kit
70	104-5339	1	Washer-Flat	139	121-5729	1	Fan Pulley Kit
72	104-5316	1	Gear-Pinion, 13T	150	104-5349	1	Fitting-Sae
73	106-8683	1	Shaft-Motor	151	115-8302	1	Hose
74	104-5360	1	Washer	159	121-5728	1	Case-Tube
80	119-5541	2	Washer	160	125-0041	1	Cap-Axle
81	104-5317	1	Gear-10T/48T	161	114-8467	1	Hub-Puller, 4 Bolt
82	104-5318	1	Gear-Jackshaft, 10T	162	120-7103	1	Seal And Ring Kit

● Not illustrated

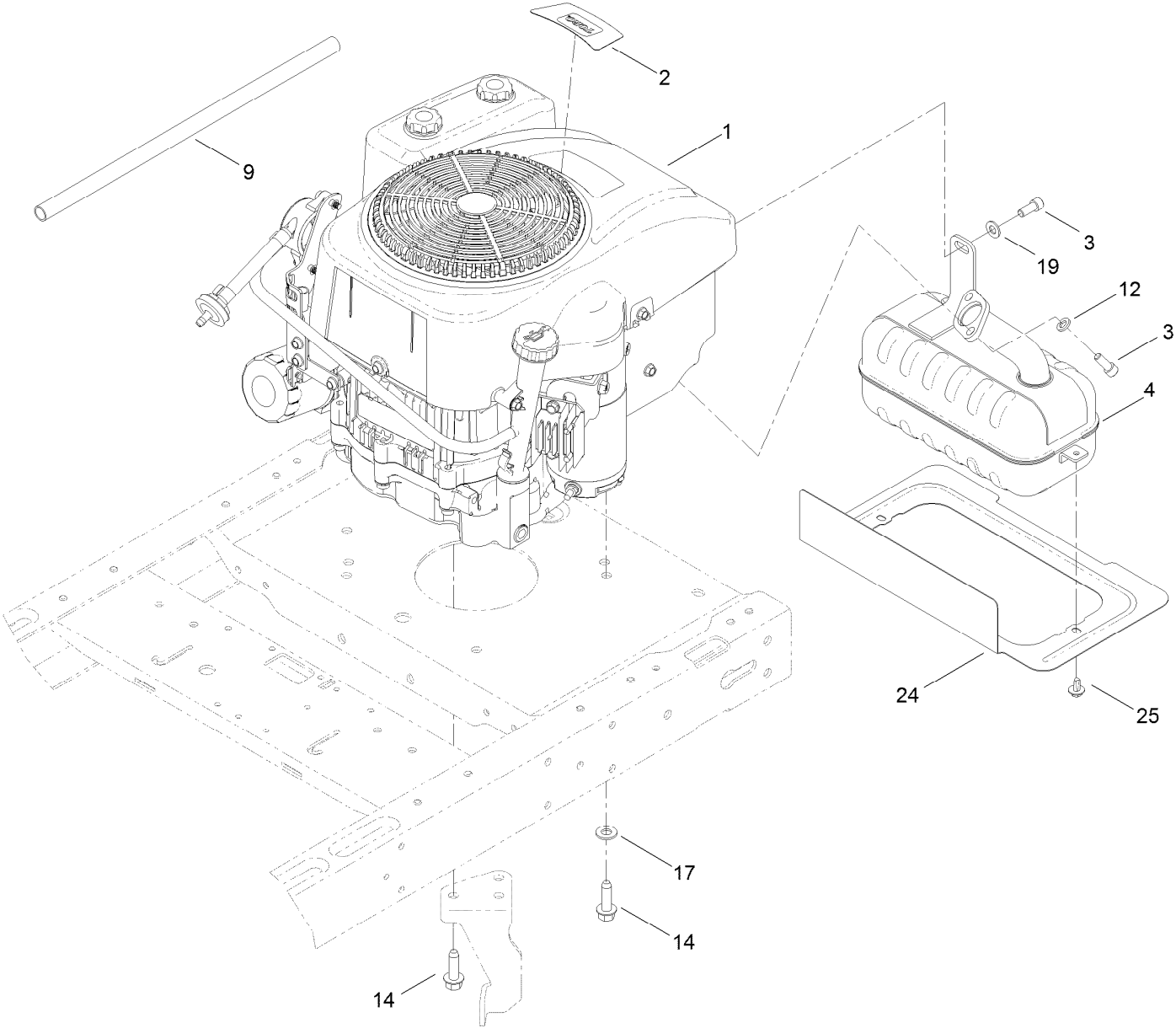
Clutch Assembly



Clutch Assembly (continued)

<i>Ref.</i>	<i>Part Number</i>	<i>Qty.</i>	<i>Description</i>	<i>Ref.</i>	<i>Part Number</i>	<i>Qty.</i>	<i>Description</i>
5	3234-42	1	Screw-HHF	10	104-8301	1	Nut-Flange, NI
6	119-3318	1	Pulley-Engine	11	125-0038	1	Clutch-Electric
7	120-2217	1	Isolator-Clutch	13	3212-16	1	Screw-HH
8	119-8884	1	Stop-Clutch				

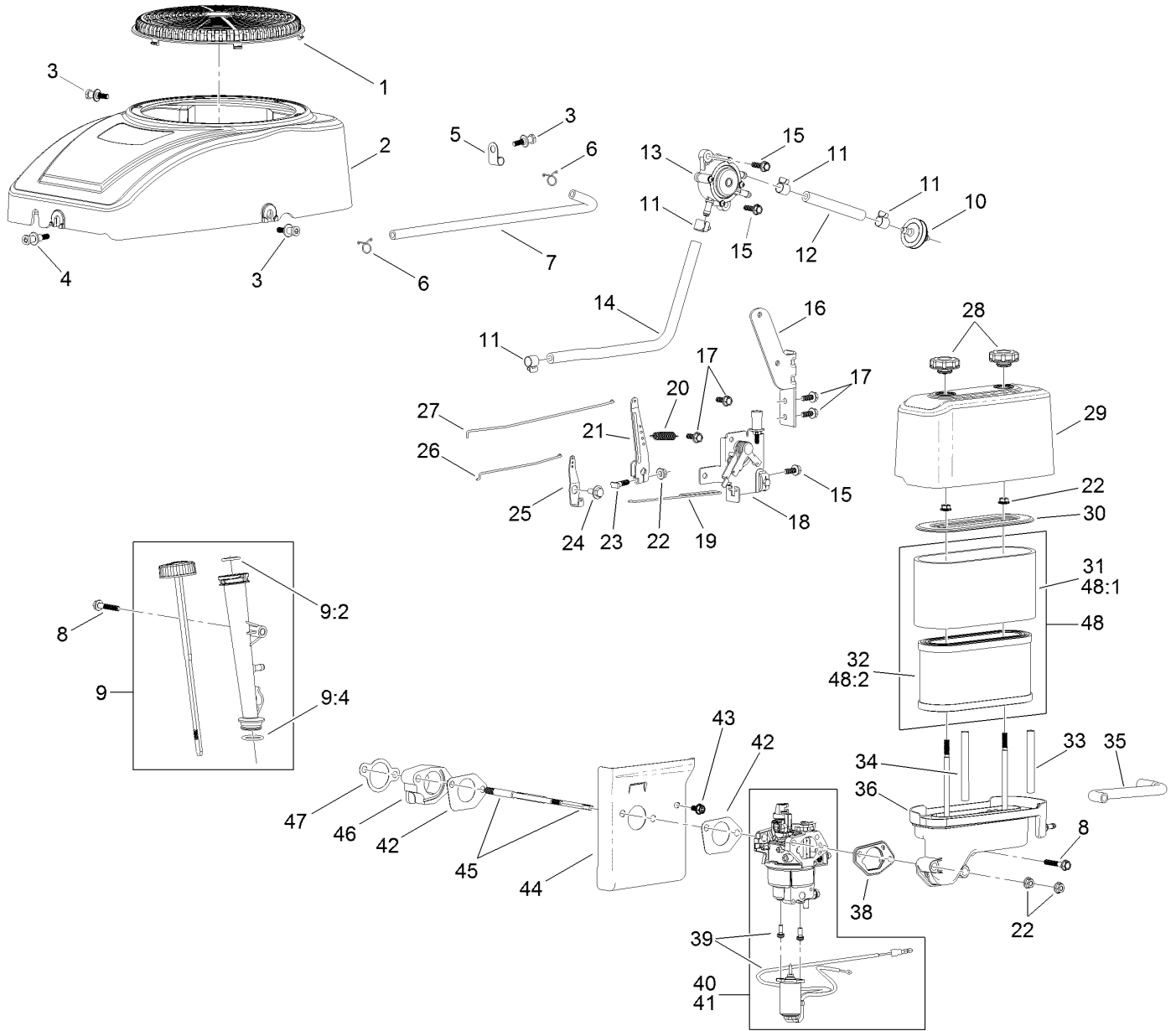
Engine and Exhaust Assembly



Engine and Exhaust Assembly (continued)

<i>Ref.</i>	<i>Part Number</i>	<i>Qty.</i>	<i>Description</i>	<i>Ref.</i>	<i>Part Number</i>	<i>Qty.</i>	<i>Description</i>
1	120-4380	1	Engine-Lc1P92F-1	14	32144-109	4	Screw-Taptite
2	125-1700	1	Decal-Engine	17	3256-24	3	Washer-Flat
3	3274-10	3	Screw-HSH	19	3256-23	1	Washer-Flat
4	117-7412	1	Muffler	24	121-2973-03	1	Shield-Heat
9	106-7022	1	Tube-Drain, Oil	25	46-8560	2	Screw-HHFTF
12	3253-4	2	Washer-Lock				

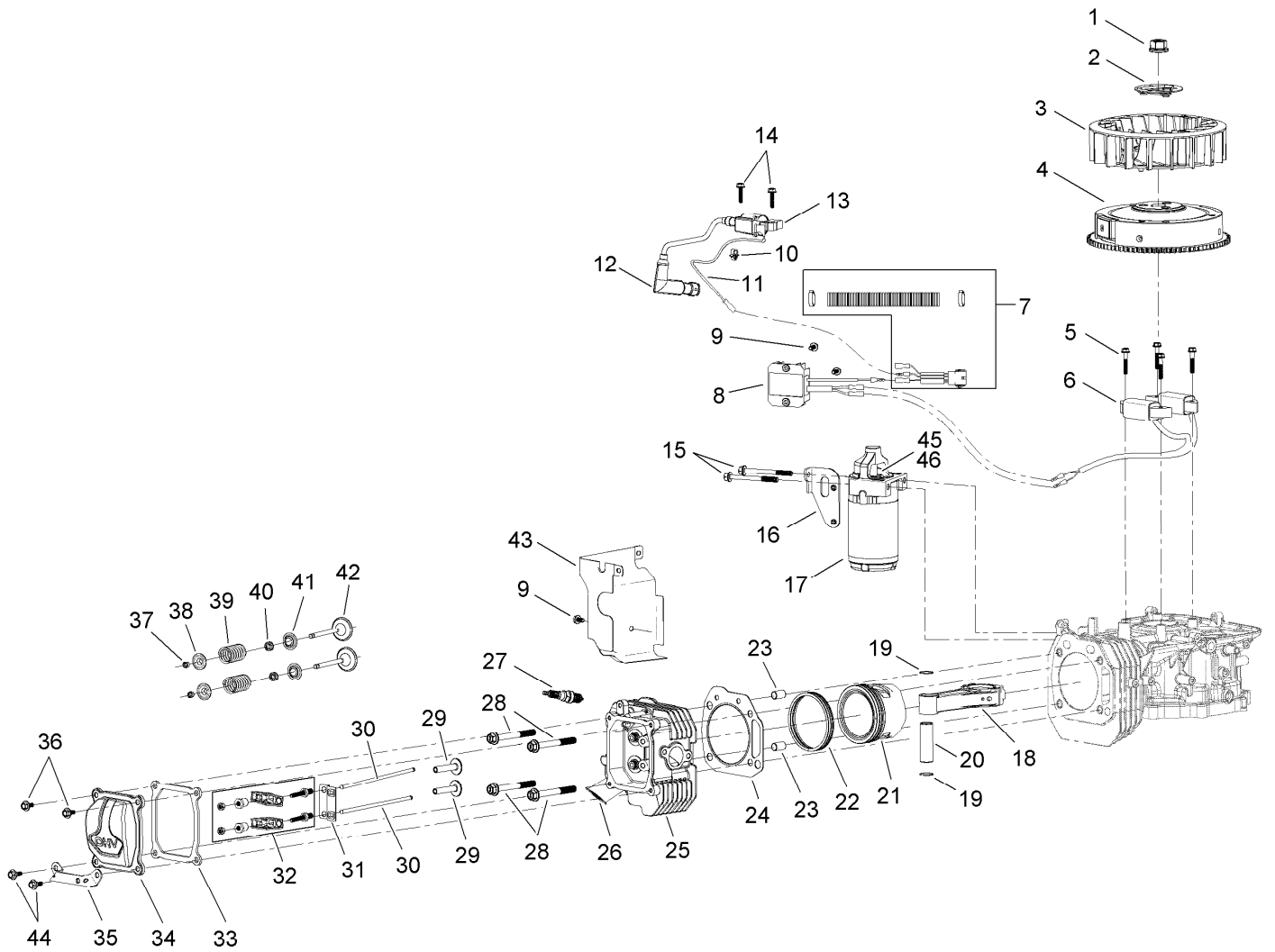
No. 1 Engine Assembly No. 120-4380



No. 1 Engine Assembly No. 120-4380 (continued)

<i>Ref.</i>	<i>Part Number</i>	<i>Qty.</i>	<i>Description</i>	<i>Ref.</i>	<i>Part Number</i>	<i>Qty.</i>	<i>Description</i>
1	120-4219	1	Screen-Stationary	25	120-4242	1	Bellcrank-Choke
2	120-4218	1	Shroud-Fan	26	120-4240	1	Rod-Choke
3	120-4217	3	Screw-Shoulder, HH	27	120-4239	1	Rod-Governor
4	120-4214	1	Screw-Shoulder, HH	28	120-4312	2	Nut-Speed
5	120-4287	1	Clamp-J	29	120-4311	1	Cover-Filter, Air
6	121-0114	2	Clamp-Hose	30	120-4310	1	Retainer-Air Filter
7	120-4372	1	Line-Pulse	31	120-4309	1	Prefilter
8	120-4284	2	Screw-HHF	32	120-4308	1	Filter-Air
9	120-4355	1	Dipstick And Tube Kit	33	120-4333	1	Spacer-Filter, Air
9:2	120-4348	1	O-Ring	34	120-4334	1	Spacer-Filter, Air
9:4	120-4282	1	O-Ring	35	120-4255	1	Tube-Breather
10	120-4253	1	Filter-Fuel	36	120-4325	1	Base-Filter, Air
11	120-4251	4	Clamp-Fuel Line	38	120-4323	1	Gasket-Base, Filter
12	120-4371	1	Line-Fuel	39	127-9022	1	Solenoid Kit
13	120-4353	1	Pump-Pulse, Fuel	40	127-9027	1	Carburetor Kit
14	120-4370	1	Line-Fuel	41	120-4364	1	Carburetor Repair Kit
15	120-4232	3	Screw-HHF	42	120-4247	2	Gasket-Carburetor
16	120-4357	1	Bracket-Pump, Fuel	43	120-4216	1	Screw-HHF
17	120-4234	4	Screw-HHF	44	120-4248	1	Shield-Heat
18	120-4358	1	Control-Throttle	45	120-4202	2	Stud-Mount, Carburetor
19	120-4243	1	Rod-Throttle	46	120-4249	1	Insulator-Carburetor
20	120-4337	1	Spring-Governor	47	120-4250	1	Gasket-Carburetor
21	120-4237	1	Arm-Governor	48	127-9193	1	Air Filter Kit
22	120-4236	5	Nut-Flange	48:1	120-4309	1	Prefilter
23	120-4238	1	Bolt-Arm, Governor	48:2	120-4308	1	Filter-Air
24	120-4241	1	Screw-Shoulder, HHF				

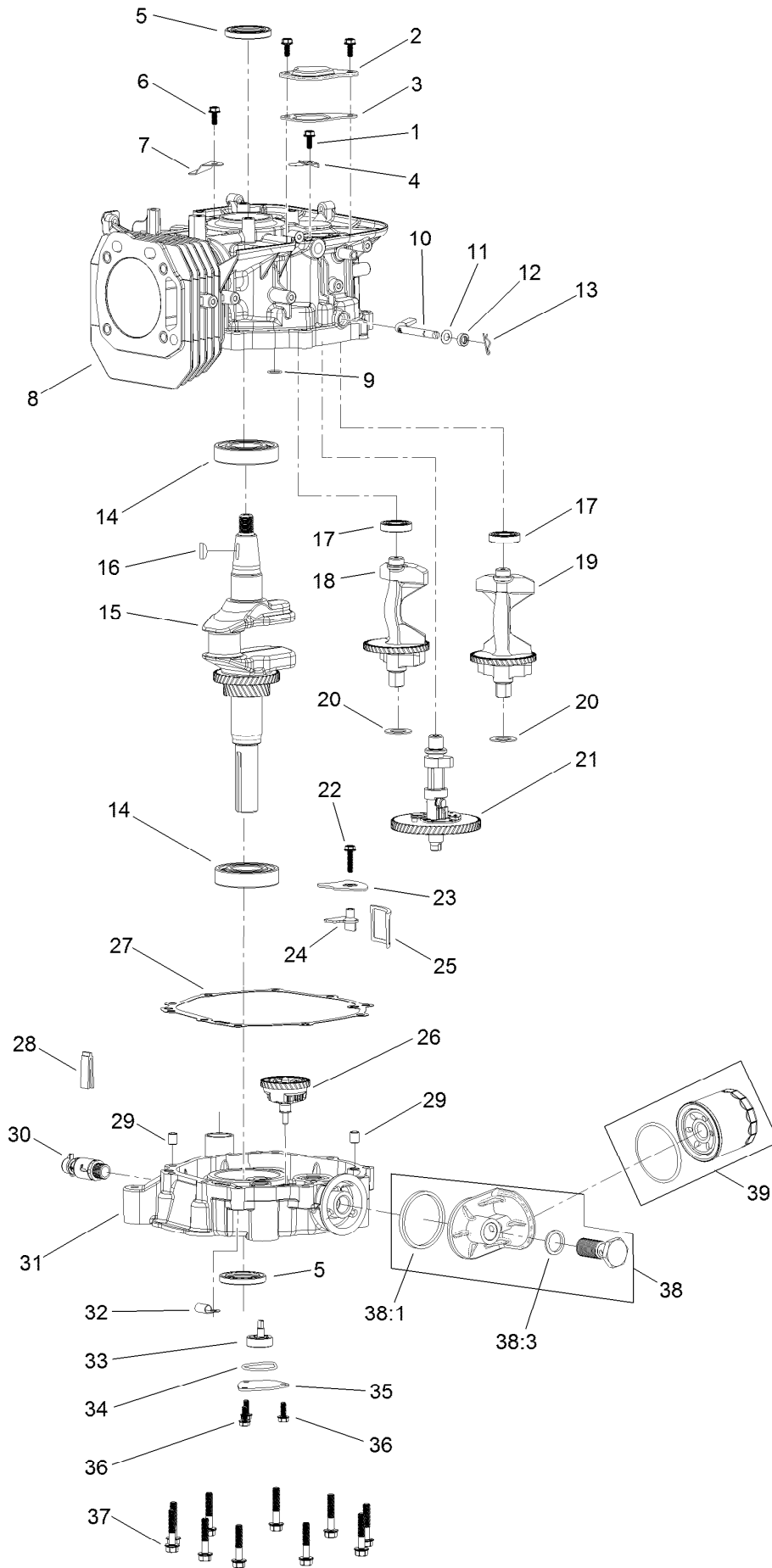
No. 2 Engine Assembly No. 120-4380



No. 2 Engine Assembly No. 120-4380 (continued)

<i>Ref.</i>	<i>Part Number</i>	<i>Qty.</i>	<i>Description</i>	<i>Ref.</i>	<i>Part Number</i>	<i>Qty.</i>	<i>Description</i>
1	120-4213	1	Nut-Flange	24	120-4201	1	Gasket-Cylinder
2	120-4212	1	Pulley-Starter	25	120-4203	1	Head-Cylinder
3	120-4211	1	Fan-Cooling	26	120-4317	1	Gasket-Exhaust
4	120-4399	1	Flywheel	27	120-4204	1	Plug-Spark
5	120-4223	4	Screw-HHF	28	120-4205	4	Screw-HHF
6	120-4367	1	Charge Coil ASM	29	120-4298	2	Lifter-Valve
7	120-4381	1	Wire Harness Kit	30	120-4340	2	Rod-Push
8	120-4433	1	Regulator-Voltage	31	120-4300	1	Plate
9	120-4216	3	Screw-HHF	32	120-4301	1	Rocker Arm Kit
10	120-4316	1	Clamp-Wire	33	120-4206	1	Gasket-Cover, Valve
11	120-4375	1	Wire-Kill, Ignition	34	120-4207	1	Cover-Valve
12	120-4226	1	Boot-Plug, Spark	35	120-4345	1	Bracket-Muffler
13	120-4368	1	Ignition Coil ASM	36	120-4209	2	Screw-Shoulder, HHF
14	120-4225	2	Screw-HHF	37	120-4307	2	Keeper-Valve
15	120-4231	2	Screw-HHF	38	120-4306	2	Retainer-Spring, Valve
16	120-4230	1	Bracket-Starter	39	120-4305	2	Spring-Valve
17	120-4339	1	Starter-Electric	40	120-4304	2	Seal-Stem, Valve
18	120-4292	1	Connecting Rod ASM	41	120-4303	2	Seat-Spring, Valve
19	120-4288	2	Ring-Retaining, Piston Pin	42	120-4302	2	Valve Set
20	120-4291	1	Pin-Piston	43	120-4215	1	Shield
21	120-4290	1	Piston	44	120-4210	2	Screw-Shoulder, HHF
22	120-4289	1	Ring Set	45	120-4392	1	Starter Repair Kit
23	120-4200	2	Pin-Dowel	46	120-4398	1	Pinion

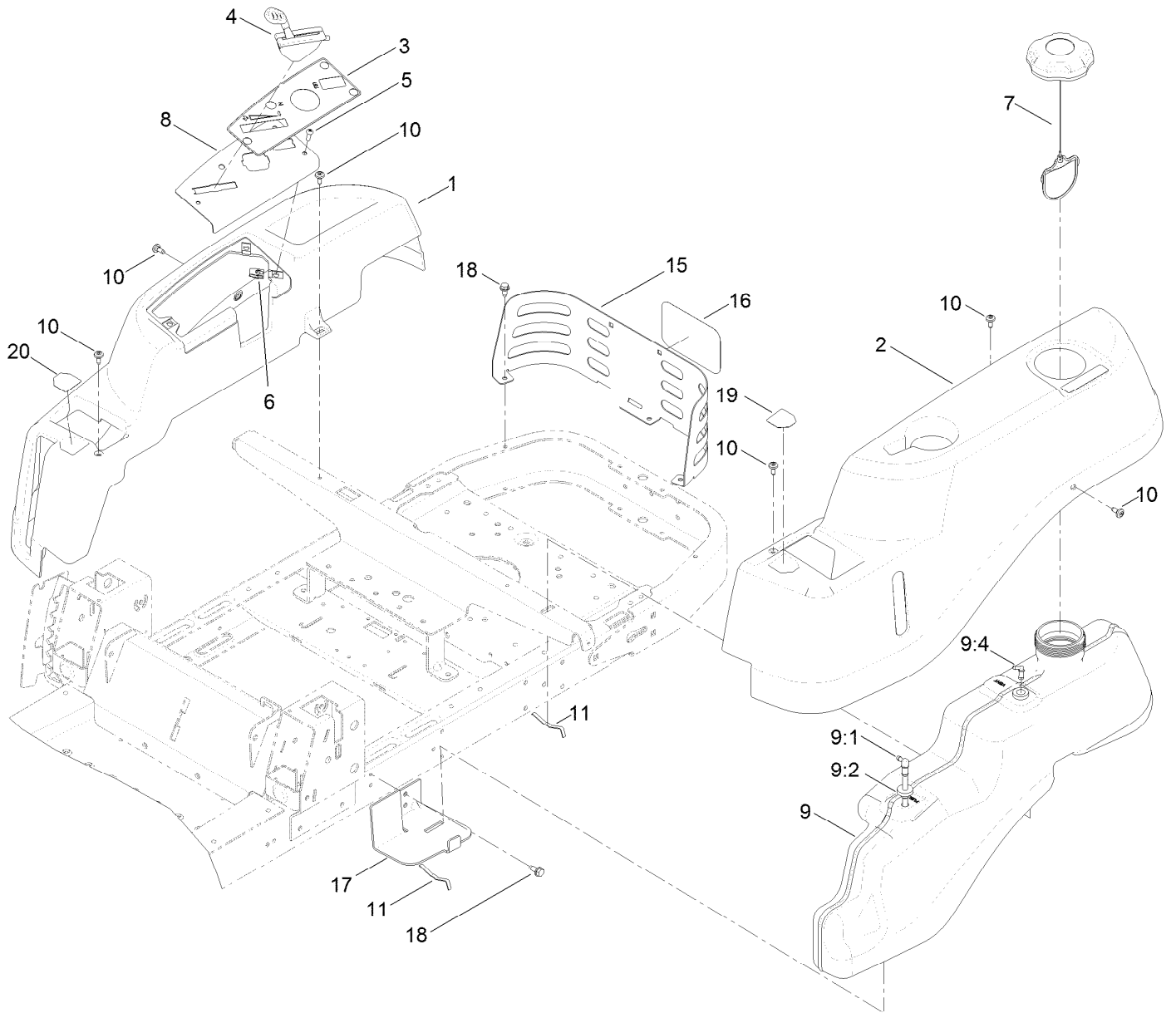
No. 3 Engine Assembly No. 120-4380



No. 3 Engine Assembly No. 120-4380 (continued)

<i>Ref.</i>	<i>Part Number</i>	<i>Qty.</i>	<i>Description</i>	<i>Ref.</i>	<i>Part Number</i>	<i>Qty.</i>	<i>Description</i>
1	120-4216	3	Screw-HHF	22	120-4225	1	Screw-HHF
2	120-4265	1	Plate-Breather	23	120-4342	1	Cover-Strainer, Oil
3	120-4264	1	Gasket-Breather	24	120-4279	1	Plate-Baffle, Oil
4	120-4263	1	Valve-Reed	25	120-4341	1	Strainer-Oil
5	120-4267	2	Seal-Oil	26	120-4338	1	Gear-Governor
6	120-4234	1	Screw-HHF	27	120-4260	1	Gasket-Crankcase
7	120-4268	1	Retainer	28	120-4275	1	Deflector-Oil, Rubber
8	120-4336	1	Crankcase	29	120-4274	2	Pin-Dowel
9	120-4262	1	O-Ring	30	120-4321	1	Valve-Drain, Oil
10	120-4382	1	Shaft-Governor	31	120-4327	1	Cover-Crankcase
11	120-4258	1	Washer-Plain	32	120-4287	1	Clamp-J
12	120-4257	1	Seal-Oil	33	120-4344	1	Oil Pump ASM
13	120-4256	1	Pin-Hair	34	120-4343	1	Seal-Pump, Oil
14	120-4261	2	Bearing-Ball	35	120-4270	1	Cover-Pump, Oil
15	120-4293	1	Crankshaft	36	120-4232	3	Screw-HHF
16	120-4320	1	Key-Woodruff	37	120-4273	10	Screw-HHF
17	120-4266	2	Bearing-Ball	38	120-4363	1	Oil Adaptor Kit
18	120-4294	1	Balancer-RH	38:1	120-4362	1	Seal-Adaptor, Oil
19	120-4296	1	Balancer-LH	38:3	120-4360	1	Washer-Filter, Oil
20	120-4295	2	Washer	39	120-4276	1	Filter-Oil
21	120-4297	1	Camshaft				

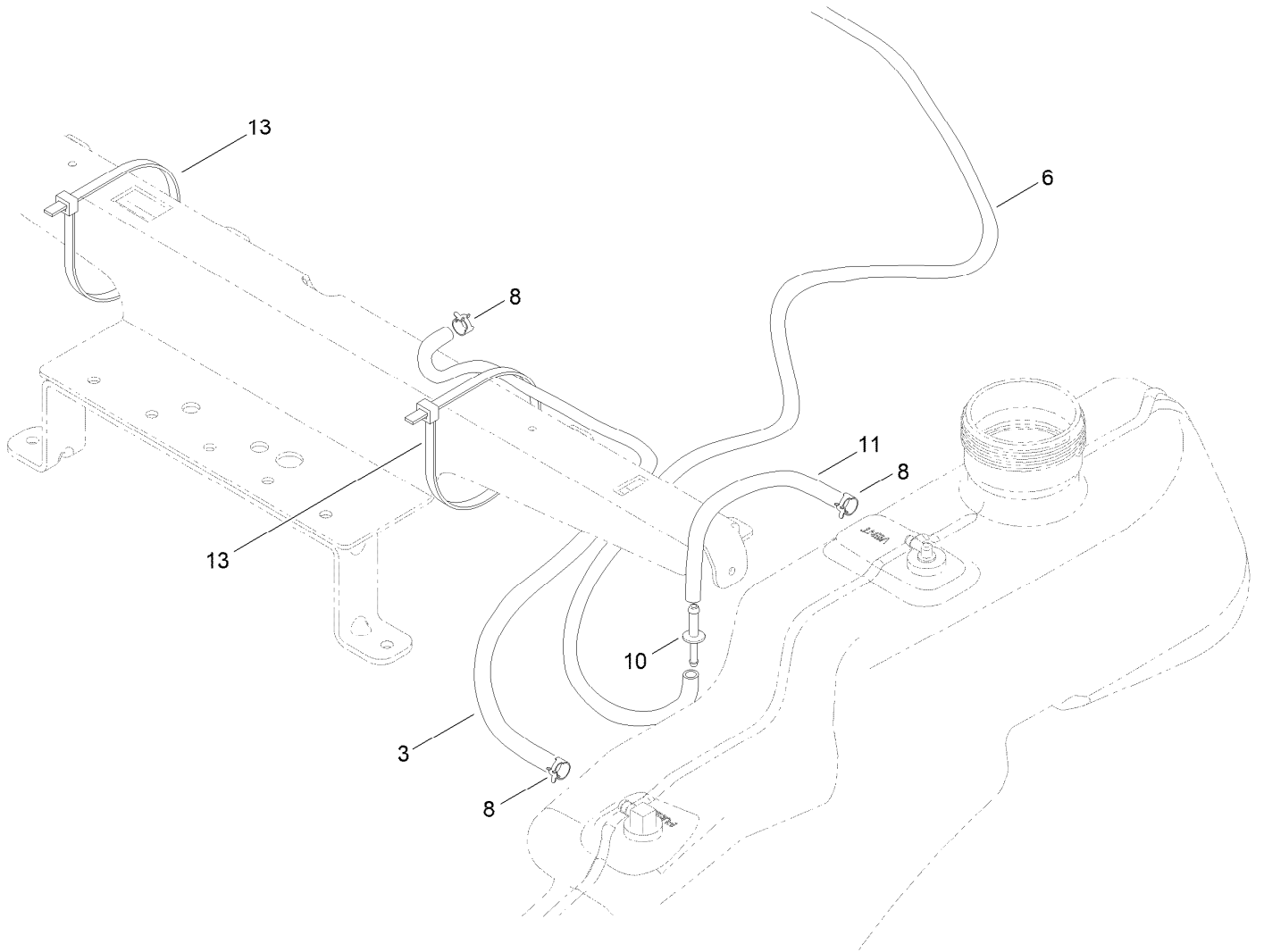
Body Styling and Fuel Pod Assembly



Body Styling and Fuel Pod Assembly (continued)

<i>Ref.</i>	<i>Part Number</i>	<i>Qty.</i>	<i>Description</i>	<i>Ref.</i>	<i>Part Number</i>	<i>Qty.</i>	<i>Description</i>
1	119-3335	1	Pod-RH	9:2	46-6560	2	Bushing
2	119-3334	1	Pod-LH	9:4	117-7400	1	Fitting-Plastic
3	121-0771	1	Decal-Panel, Control	10	120-7950	6	Screw-Shoulder
4	121-0767	1	Cable-Throttle And Choke	11	609830	2	Spring
5	3258-166	3	Screw-PRH	15	119-8855-03	1	Guard-Rear
6	107069	3	Clip	16	105-8278	1	Decal
7	120-5461	1	Cap-Fuel, Ratcheting	17	119-3476-03	1	Support-Tank, Front
8	119-3378-03	1	Plate-Control	18	32144-70	6	Screw-HWHTF
9	119-3324	1	Fuel Tank ASM	19	119-8814	1	Decal-Control Lever, LH
9:1	121-0793	1	Connector-Elbow, 90 DEG	20	119-8815	1	Decal-Control Lever, RH

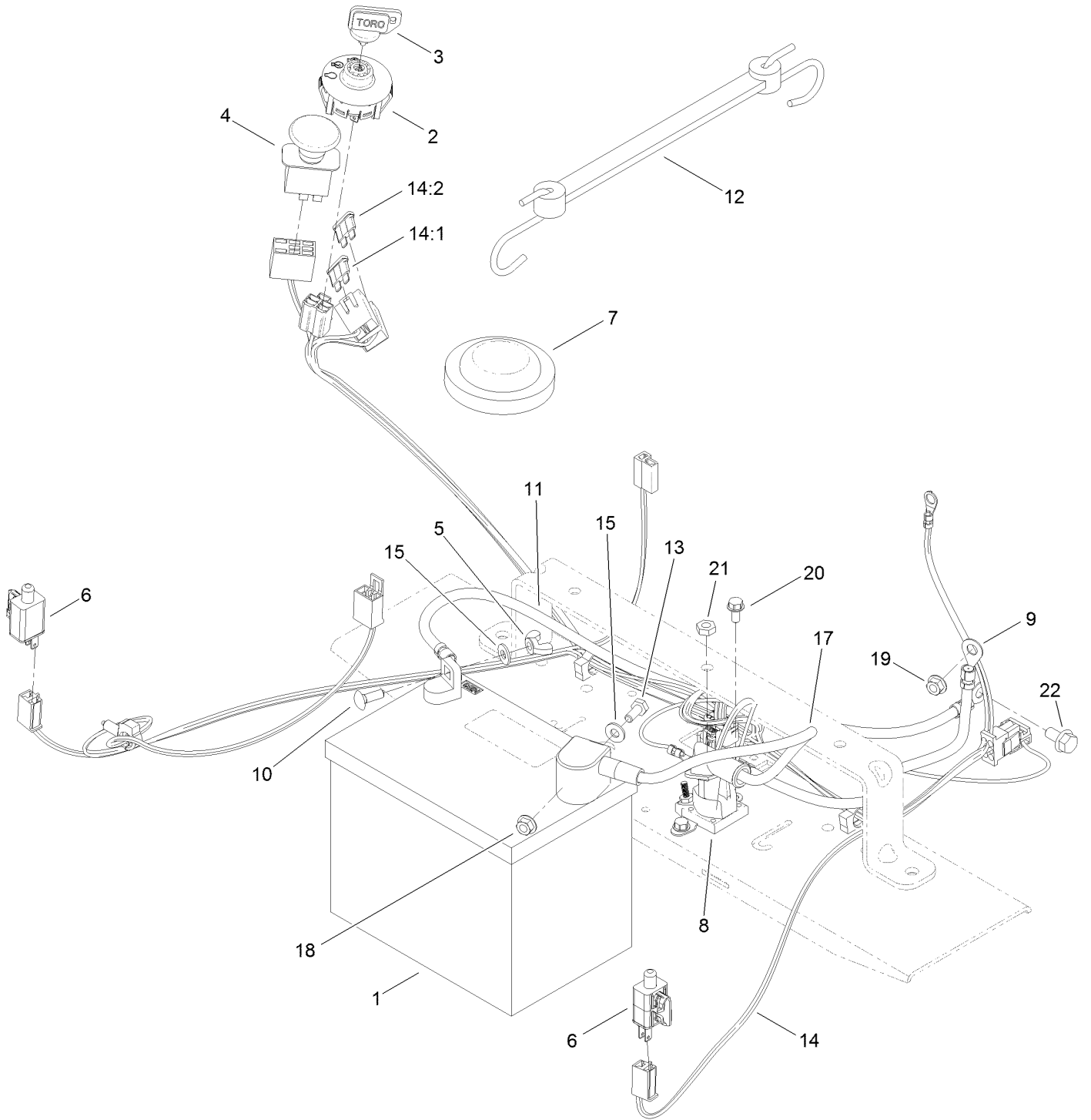
Fuel Delivery Assembly



Fuel Delivery Assembly (continued)

<i>Ref.</i>	<i>Part Number</i>	<i>Qty.</i>	<i>Description</i>	<i>Ref.</i>	<i>Part Number</i>	<i>Qty.</i>	<i>Description</i>
3	109-0307	1	Hose-Fuel	10	117-5399	1	Adaptor-Orifice
6	110-3254	1	Hose-Fuel	11	110-1876	1	Hose-Fuel
8	2412-98	3	Clamp-Hose	13	3334-945	2	Tie-Cable

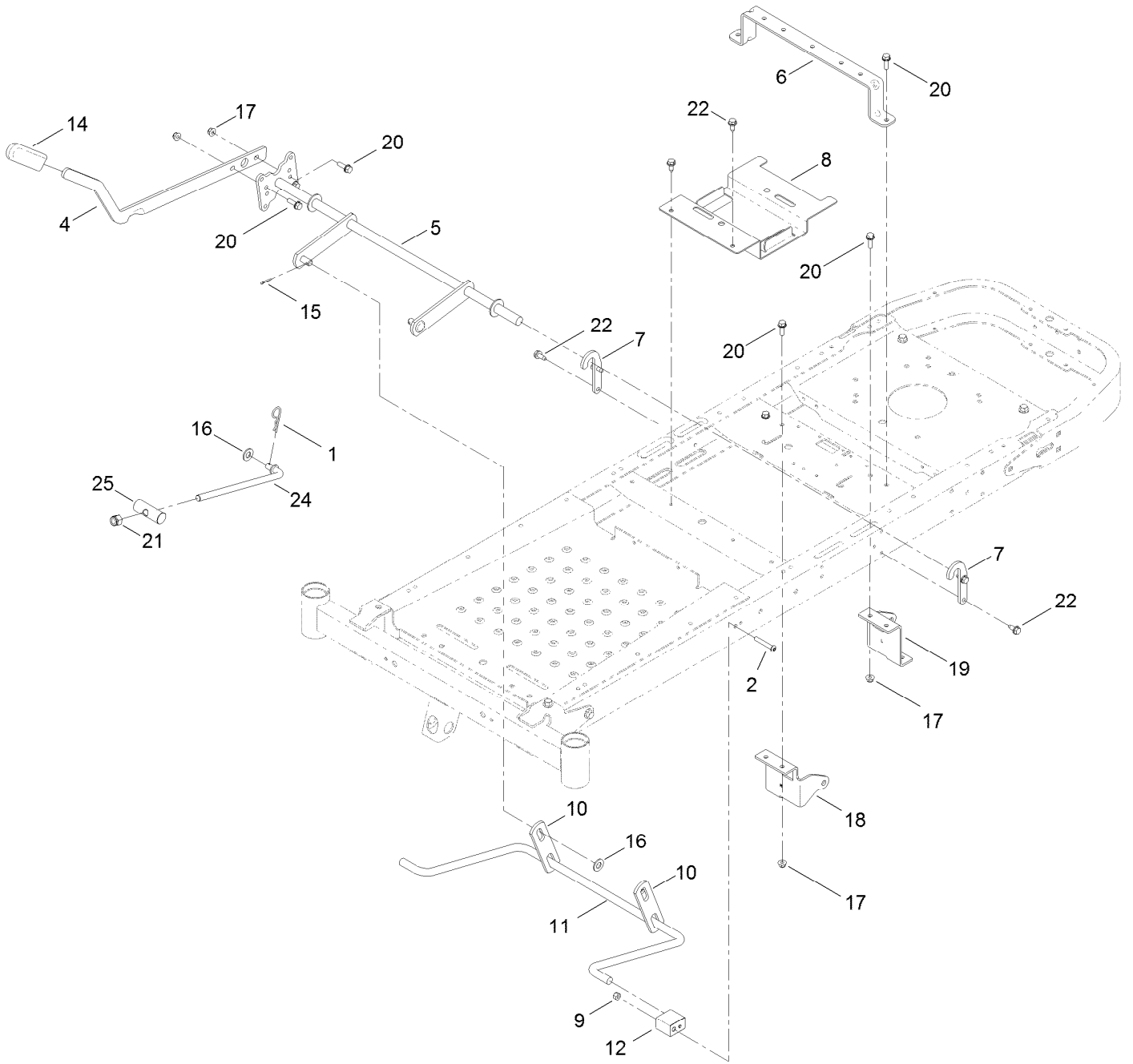
Electrical Assembly



Electrical Assembly (continued)

<i>Ref.</i>	<i>Part Number</i>	<i>Qty.</i>	<i>Description</i>	<i>Ref.</i>	<i>Part Number</i>	<i>Qty.</i>	<i>Description</i>
1	105-1692	1	Battery-Dry	13	321-3	1	Screw-HH
2	117-2221	1	Switch-Ignition	14	121-5652	1	Harness-Wire
3	63-8360	1	Key-Ignition	14:1	109103	1	Fuse-Blade, 30 Amp
4	103-5221	1	Switch-PTO	14:2	109102	1	Fuse-Blade, 25 Amp
5	32103-22	1	Nut-Wing	15	3256-22	2	Washer-Flat
6	110-6765	2	Switch	17	119-8897	1	Cable-Battery, Red
7	100-3524	1	Switch-Seat	18	32128-33	1	Nut-HF
8	117-1197	1	Solenoid	19	33003-00	1	Nut-HF
9	121-0711	1	Cable-Battery, Positive	20	32144-4	2	Screw-HWH
10	3229-1	1	Bolt-CARR	21	3220-2	2	Nut-Jam
11	119-8899	1	Cable-Battery, Black	22	3234-47	1	Screw-HHF
12	104-2466	1	Holddown-Battery				

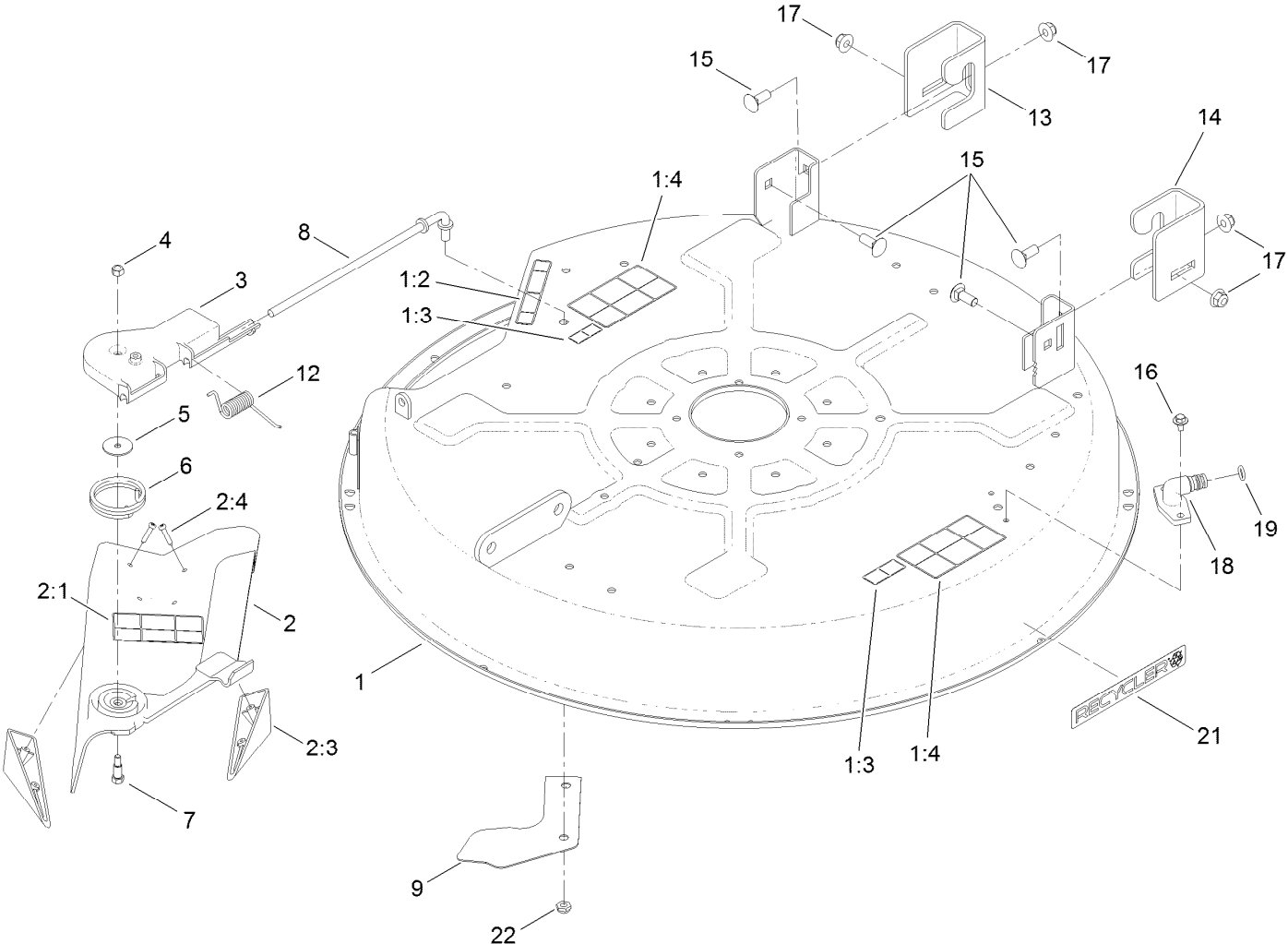
Deck Lift Assembly



Deck Lift Assembly (continued)

<i>Ref.</i>	<i>Part Number</i>	<i>Qty.</i>	<i>Description</i>	<i>Ref.</i>	<i>Part Number</i>	<i>Qty.</i>	<i>Description</i>
1	1-806005	1	Pin-Cotter	14	1-633268	1	Grip-Lever
2	120-5499	2	Screw-HSBH	15	3272-10	2	Pin-Cotter
4	119-3427-03	1	Lever-Lift	16	3256-26	3	Washer-Flat
5	117-7346-03	1	Lift-Deck	17	104-8300	6	Nut-Flange, NI
6	119-3435-03	1	Brace-Seat, Rear	18	119-8861-01	1	Mount-Hydro, Front (RH)
7	119-8875	2	Bracket-Lift	19	119-8862-01	1	Mount-Hydro, Front (LH)
8	119-3406-03	1	Bracket-Battery	20	3234-29	6	Screw-HHF
9	3296-29	2	Nut-Lock, NI	21	3296-19	1	Nut-Hex
10	108-7840	2	Link-Lift	22	32144-70	6	Screw-HWHTF
11	108-7839	1	Arm-Lift, Rear	24	104-8047	1	Rod-Trunion
12	108-7845	2	Block-Pivot	25	119-8810	1	Pin-Pivot

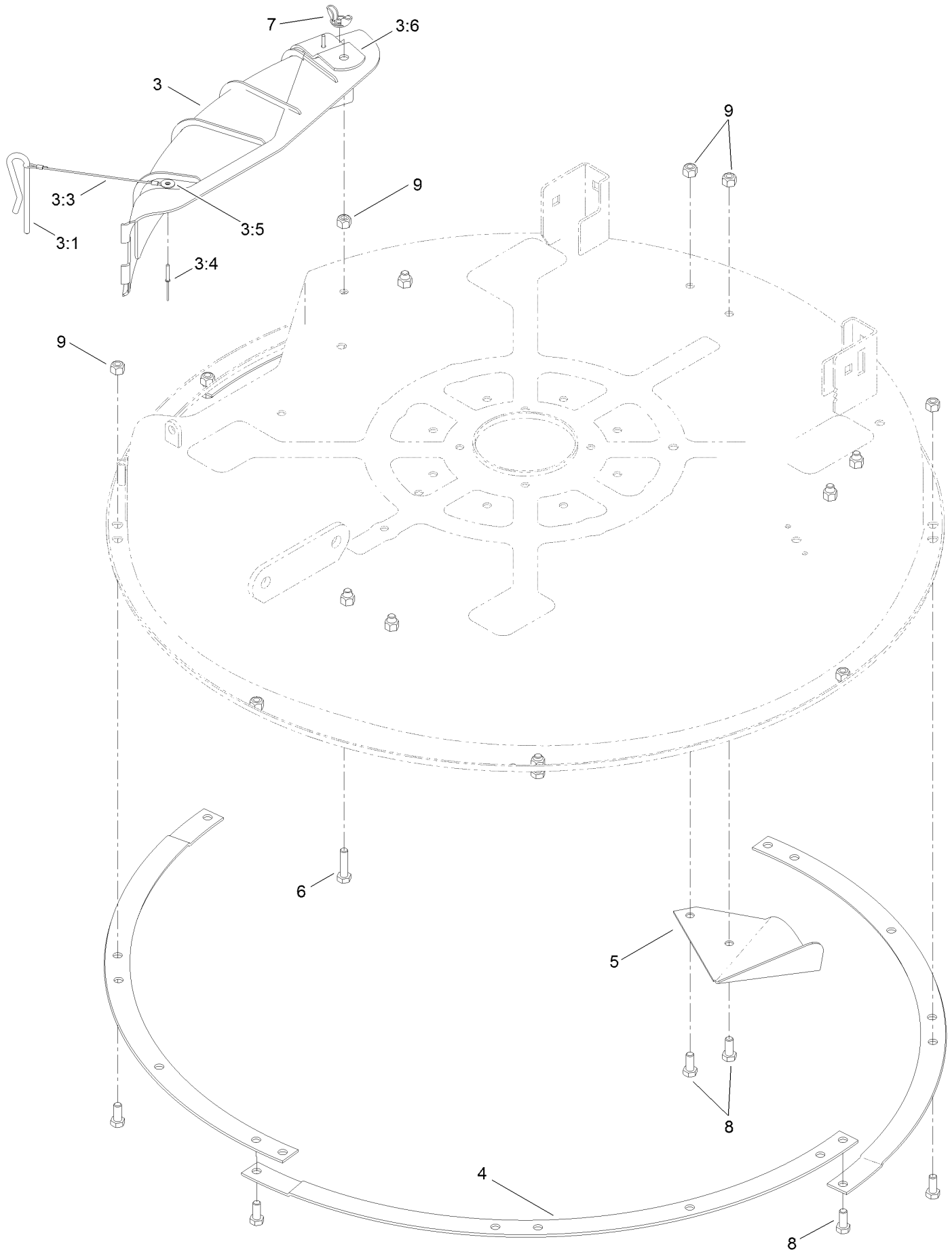
32 Inch Deck Assembly



32 Inch Deck Assembly (continued)

<i>Ref.</i>	<i>Part Number</i>	<i>Qty.</i>	<i>Description</i>	<i>Ref.</i>	<i>Part Number</i>	<i>Qty.</i>	<i>Description</i>
1	119-8839	1	32 Inch Deck And Decal ASM	7	92-8916	1	Bolt-Shoulder
1:2	93-7009	1	Decal-Danger	8	119-8858	1	Rod-Pivot
1:3	114-1606	2	Decal-Danger	9	119-8877-03	1	Ramp-Deflector
1:4	110-6691	2	Decal-Danger	12	92-2493	1	Spring-Torsion
2	120-2298	1	32 Inch Deflector ASM	13	119-3494	1	Bracket-Hanger, RH
2:1	110-6691	1	Decal-Danger	14	119-3496	1	Bracket-Hanger, LH
2:3	93-7696	2	Kicker	15	3231-2	4	Bolt-CARR
2:4	93-0231	4	Screw-PPH	16	46-8560	2	Screw-HHFTF
3	88-4540	1	Pivot-Hinge, Deflector	17	104-8301	4	Nut-Flange, NI
4	3296-42	1	Nut-Lock, NI	18	95-2747	1	Fitting-Washout
5	3256-58	1	Washer-Flat	19	46-6290	1	O-Ring
6	88-6160	1	Spring-Torsion	21	119-2368	1	Decal-Recycler
				22	3296-59	1	Nut-Lock, NI

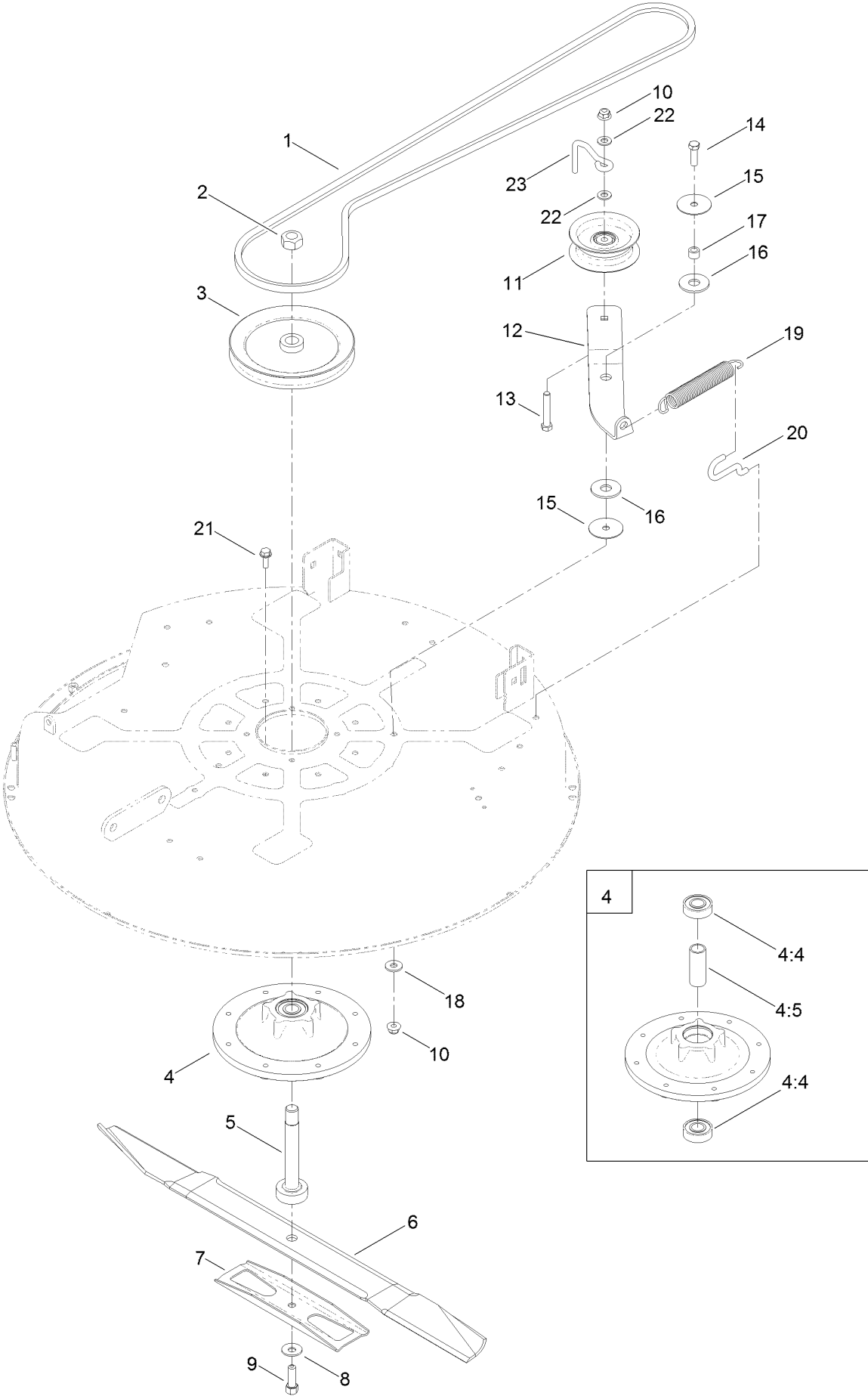
32 Inch Deck Baffle Assembly



32 Inch Deck Baffle Assembly (continued)

<i>Ref.</i>	<i>Part Number</i>	<i>Qty.</i>	<i>Description</i>	<i>Ref.</i>	<i>Part Number</i>	<i>Qty.</i>	<i>Description</i>
3	82-6151	1	Discharge Cover ASM	4	80-4490-03	4	Ring-Deck
3:1	28-8130	1	Pin-Locking, Chute	5	80-2630-03	4	Kicker
3:3	28-8070	1	Lanyard	6	322-6	1	Screw-HH
3:4	3290-282	2	Rivet-Blind	7	32103-2	1	Nut-Wing
3:5	3256-49	1	Washer-Flat	8	322-3	15	Screw-HH
3:6	83-7010-03	1	Brace	9	3296-29	16	Nut-Lock, NI

32 Inch Deck, Belt and Blade Assembly



32 Inch Deck, Belt and Blade Assembly (continued)

<i>Ref.</i>	<i>Part Number</i>	<i>Qty.</i>	<i>Description</i>	<i>Ref.</i>	<i>Part Number</i>	<i>Qty.</i>	<i>Description</i>
1	119-8821	1	V-Belt, 81.8 Inch	12	119-8966	1	Arm-Idler
2	3219-7	1	Nut-Hex	13	323-11	1	Screw-HH
3	119-8804	1	Pulley-Deck	14	323-7	1	Screw-HH
4	119-0368	1	Spindle Housing ASM	15	120-2229	2	Washer
4:4	251-297	2	Bearing-Ball	16	114-0463	2	Washer-Friction, Composite
4:5	83-7020	1	Spacer-Bearing	17	115-4986	1	Spacer
5	119-8825	1	Shaft-Spindle	18	80-6990	1	Washer-Hardened
6	80-4430-03	1	Blade-Recycler, 31.35 Inch	19	106-2177	1	Spring-Extension
7	80-4570-03	1	Stiffener	20	88-5970	1	Hook-Return, Spring
8	3290-465	1	Washer-Belleville	21	32144-41	8	Screw-Taptite
9	26-0671	1	Screw-HH	22	3256-24	2	Washer-Flat
10	104-8301	2	Nut-Flange, NI	23	107-7307	1	Guide-Idler, Belt
11	106-2175	1	Pulley-Idler, Flat				

Attachments and Accessories

For 74388 TimeCutter ZS 3200S Riding Mower

Product Name	Model/Part
Hourmeter Kit, 2011 and After TimeCutter Riding Mower	120-5498
Belt Guard Kit	120-7770
High-Altitude Kit	121-4243
Foot Assist Deck Lift Kit, 2011 and After Zero-Turn-Radius Riding Mower	79010
Sunshade Kit	79011
Hitch Kit	79014
Floor Mat Kit, 2011 and After Zero-Turn-Radius Riding Mower w/ 32in or 42in Cutting Unit	79020
Cargo Carrier	79030
Front Weight Kit	79031
Storage Cover	79317
32in Bagger, 2011 and After TimeCutter 3000 Series Riding Mower	79333

Notes:

Notes:

Notes:



Count on it.