



**Count on it.**

**Parts Catalog**

**Wireless Hourmeter System  
Repeater Kit**

Model No. 115-4754

Model No. 115-9524

Model No. 115-9542

Model No. 115-9543



# Ordering Replacement Parts

To order replacement parts, please supply the part number, the quantity, and the description of each part desired.

## Understanding Reference Numbers

Each identified part in an illustration has a reference number. The reference number for a part also appears in the parts list, along with other information about the part.

This catalog uses two special reference number formats, one to indicate parts in a service assembly and another to indicate the quantity of a given part in an illustration.

## Service Assembly Reference Numbers

Parts in service assemblies have reference numbers in the form a:b. The a represents the reference number of the entire service assembly and the b represents a sequential number unique to each part within the service assembly.

For example, a wheel assembly might be identified by reference number 6, the tire by 6:1, the valve by 6:2, and the wheel by 6:3. When you order the assembly identified by reference number 6, you receive all parts identified by reference numbers 6:1, 6:2, and 6:3. However, you may also order any part individually. Reference numbers of this type appear in illustration and in parts lists.

## Reference Numbers Indicating Quantity

In an illustration, if a reference number indicates more than one part, the reference number has the form nX y. The n represents the quantity of the part, the X is the multiplication symbol, and the y represents the reference number.

For example, in an illustration, the reference number 2X 37 means that two of the parts identified by reference number 37 are indicated.

# List of Abbreviations

**AR:** as required

**ASM:** assembly

**BBC:** blade brake control

**BHTF:** button head thread forming

**CARR:** carriage

**CCW:** counter clockwise

**CW:** clockwise

**DEG:** degrees

**DPA:** Dual Point Adjustment

**ECM:** electronic control module

**EXT:** external

**FH:** flat head

**GA:** gauge

**HD:** heavy-duty

**HF:** hex flange

**HH:** hex head

**HHF:** hex head flange

**HHFTF:** hex head flange thread forming

**HJ:** hex jam

**HLH:** hex lag head

**HOC:** height-of-cut

**HP:** high pressure

**HSBH:** hex socket button head

**HSFH:** hex socket flat head

**HSH:** hex socket head

**HWH:** hex washer head

**HWHTF:** hex washer head thread forming

**HYD:** hydraulic

**LH:** left hand

**LP:** low pressure

**LPG:** Liquefied Petroleum Gas

**NI:** nylon insert

**NPTF:** national pipe thread fine

**PFH:** phillips flat head

**PPH:** phillips pan head

**PPHTF:** phillips pan head thread forming

**PRH:** phillips round head

**PTH:** phillips truss head

**PTO:** power-take-off

**RH:** right hand

**ROPS:** roll-over protection system

**RRB:** rear roller brush

**SFH:** slotted fillister head

**SHH:** slotted hex head

**SHWH:** slotted hex washer head

**SPH:** slotted pan head

**SQH:** square head

**SRH:** slotted round head

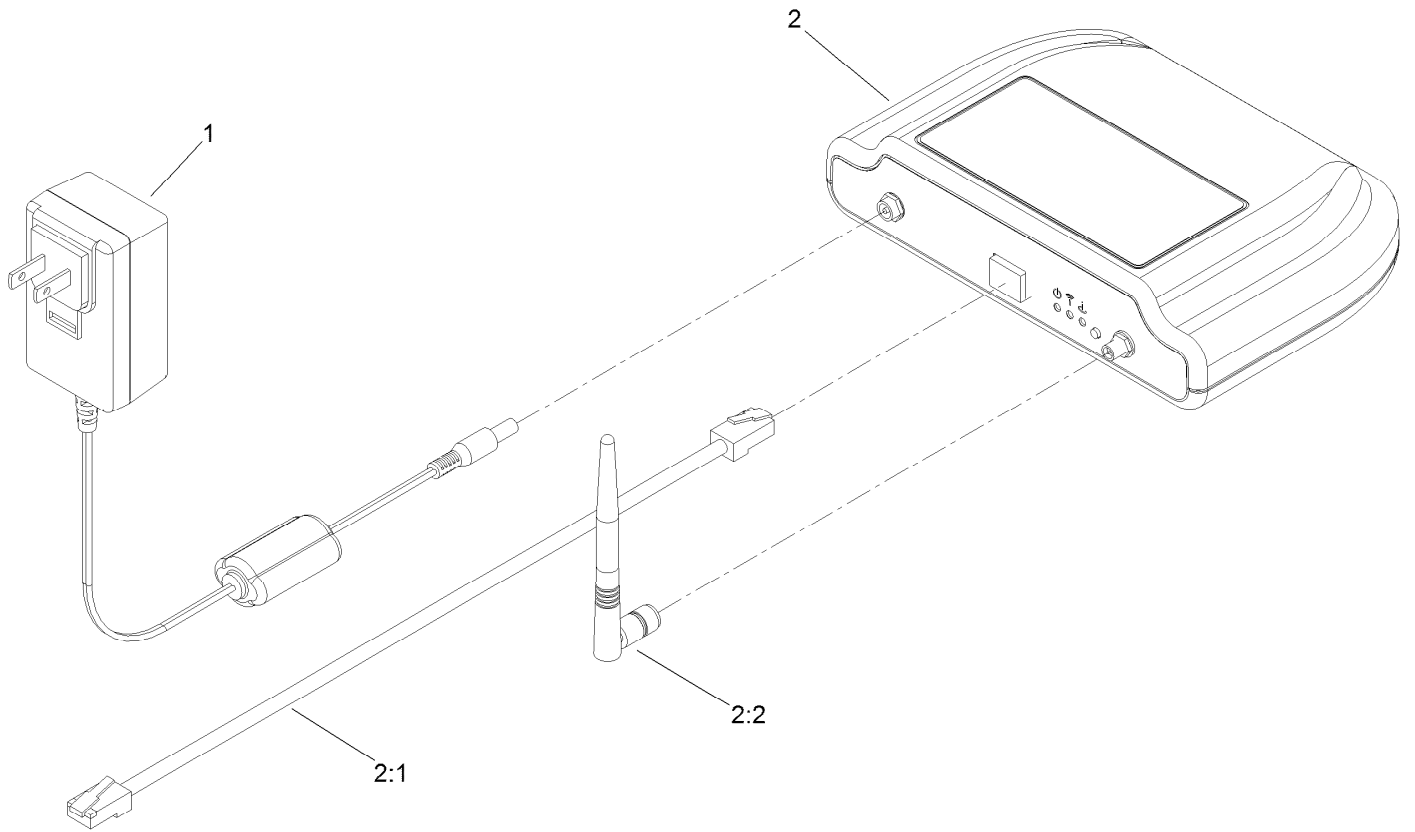
**STD:** standard

**TAP:** self tapping

**TTH:** torx truss head

# Contents

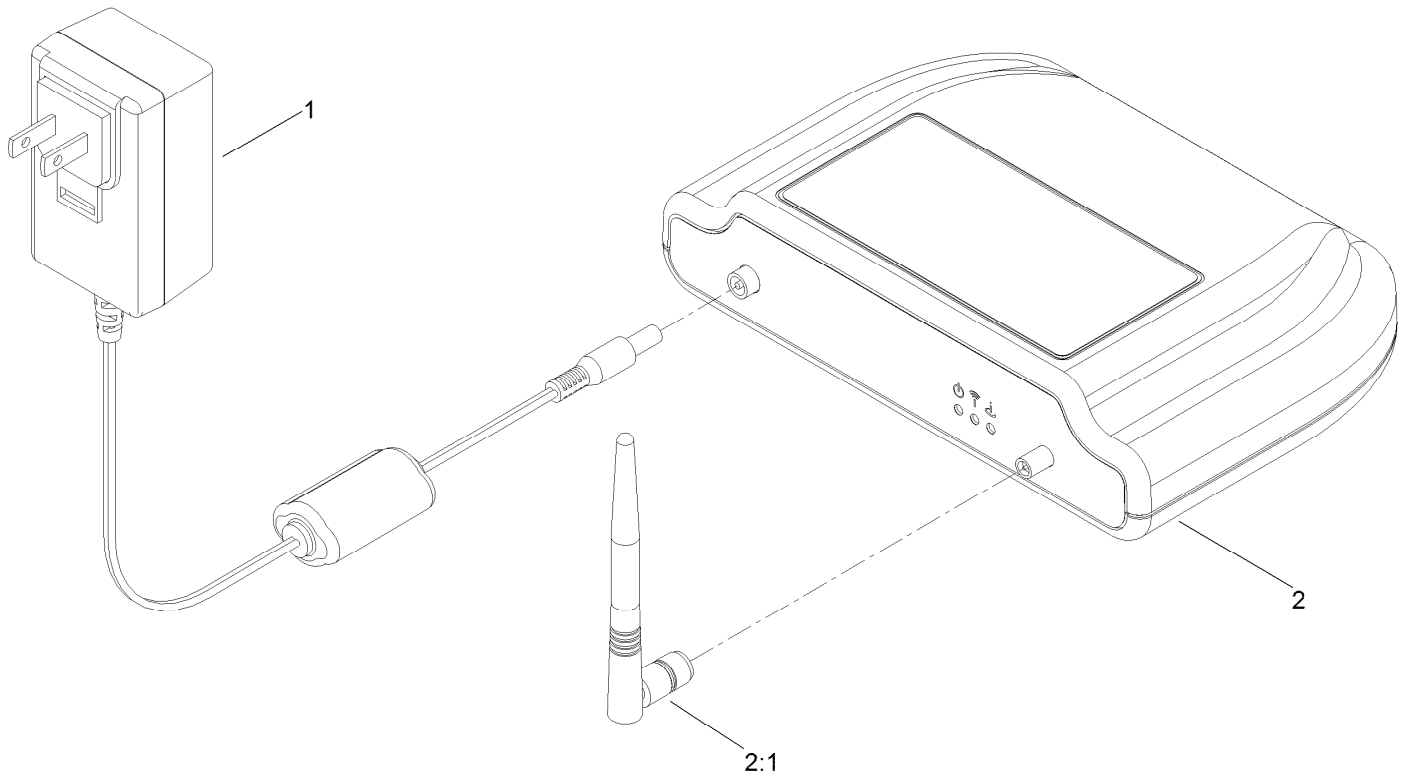
Base Station Kit No. 115-9542.....	4
Repeater Kit No. 115-9543.....	5
Hour Meter Mounting Kit No. 115-4754 .....	6
Auxiliary Antenna Kit No. 115-9524.....	7



## Base Station Kit No. 115-9542

<i>Ref.</i>	<i>Part Number</i>	<i>Qty.</i>	<i>Description</i>
1	115-9502	1	Adapter-Power, 12V
2		1	Base Station ●
2:1	115-9504	1	Cable-Ethernet
2:2	115-9501	1	Antenna-2.4Ghz

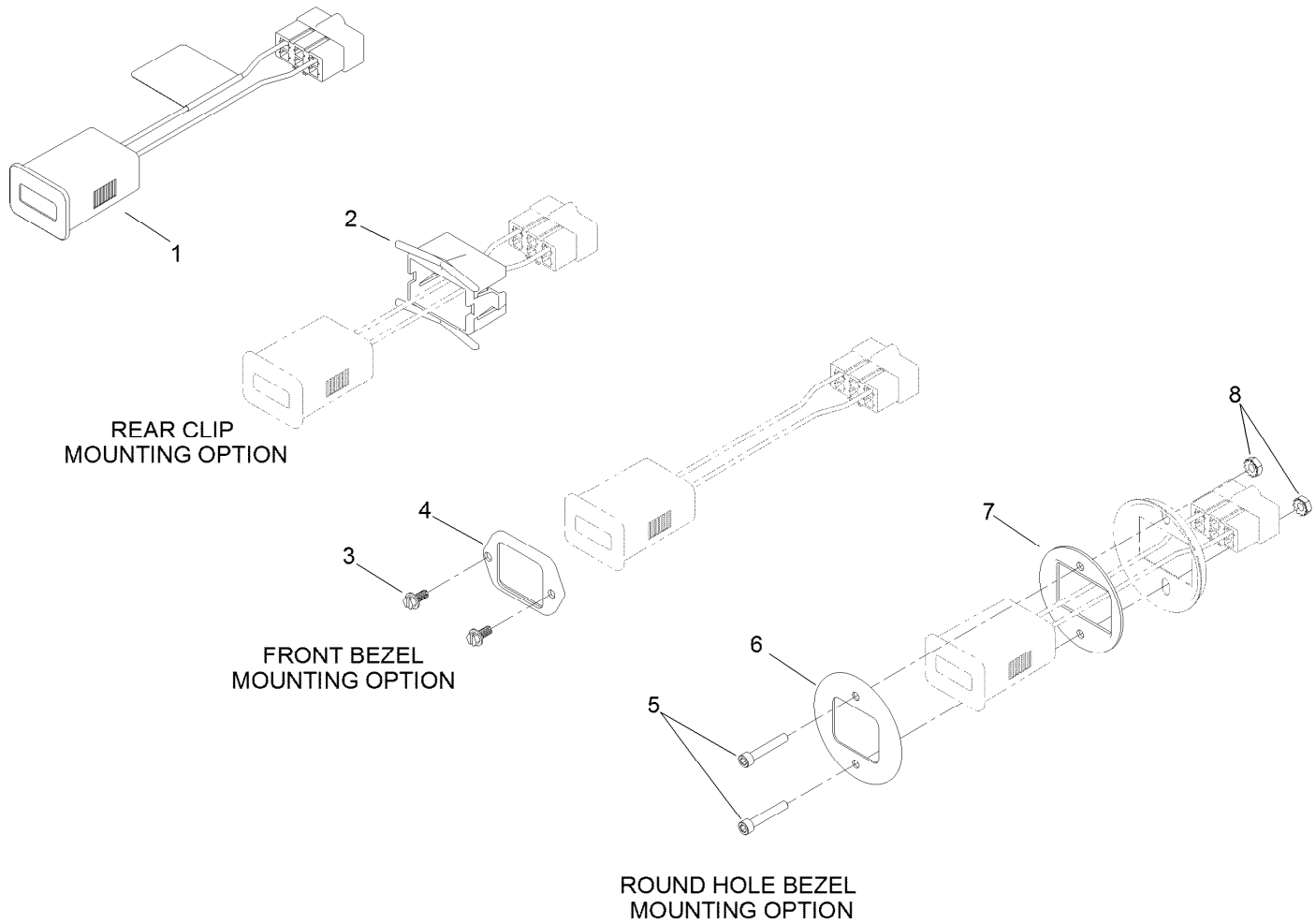
● Not serviced separately



## Repeater Kit No. 115-9543

<i>Ref.</i>	<i>Part Number</i>	<i>Qty.</i>	<i>Description</i>
1	115-9502	1	Adapter-Power, 12V
2		1	Repeater ●
2:1	115-9501	1	Antenna-2.4Ghz

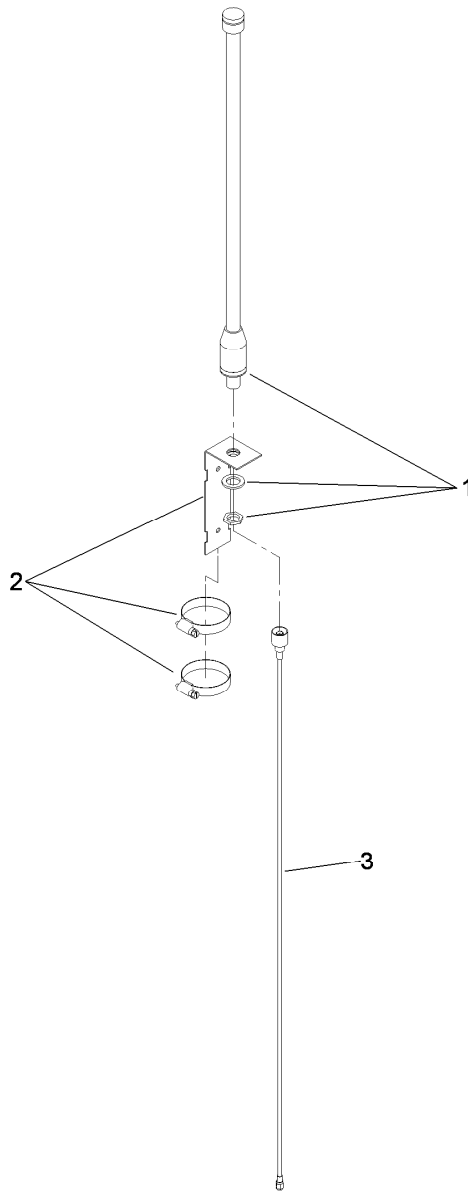
● Not serviced separately



## Hour Meter Mounting Kit No. 115-4754

Ref.	Part Number	Qty.	Description
1		1	Wireless Hour Meter ASM ●
2	112-9644	1	Retainer-Housing, Lcd
3	32144-107	2	Screw
4	115-4755	1	Retainer-Meter, Wireless Hour
5	115-4791	2	Screw-HSH
6	115-4789	1	Cover-Adapter, 2 Inch
7	115-4788	1	Adapter-Round, 2 Inch
8	32149-9	2	Nut-Hex, Keps

● Not serviced separately



## Auxiliary Antenna Kit No. 115-9524

<i>Ref.</i>	<i>Part Number</i>	<i>Qty.</i>	<i>Description</i>
1	115-9507	1	Antenna-Omnidirectional, 2.4Ghz
2	115-9508	1	Omnidirectional Mounting Kit
3	115-9503	1	Cable-Antenna, Coaxial



**Count on it.**