



**Count on it.**

**Parts Catalog**

**55cm Recycler<sup>®</sup> Lawn Mower**

Model No. 20960—Serial No. 315000001 and Up



# Ordering Replacement Parts

To order replacement parts, please supply the part number, the quantity, and the description of each part desired.

## Understanding Reference Numbers

Each identified part in an illustration has a reference number. The reference number for a part also appears in the parts list, along with other information about the part.

This catalog uses two special reference number formats, one to indicate parts in a service assembly and another to indicate the quantity of a given part in an illustration.

## Service Assembly Reference Numbers

Parts in service assemblies have reference numbers in the form a:b. The a represents the reference number of the entire service assembly and the b represents a sequential number unique to each part within the service assembly.

For example, a wheel assembly might be identified by reference number 6, the tire by 6:1, the valve by 6:2, and the wheel by 6:3. When you order the assembly identified by reference number 6, you receive all parts identified by reference numbers 6:1, 6:2, and 6:3. However, you may also order any part individually. Reference numbers of this type appear in illustration and in parts lists.

## Reference Numbers Indicating Quantity

In an illustration, if a reference number indicates more than one part, the reference number has the form nX y. The n represents the quantity of the part, the X is the multiplication symbol, and the y represents the reference number.

For example, in an illustration, the reference number 2X 37 means that two of the parts identified by reference number 37 are indicated.

# List of Abbreviations

**AR:** as required

**ASM:** assembly

**BBC:** blade brake control

**BHTF:** button head thread forming

**CARR:** carriage

**CCW:** counter clockwise

**CW:** clockwise

**DEG:** degrees

**DPA:** Dual Point Adjustment

**ECM:** electronic control module

**EXT:** external

**FH:** flat head

**GA:** gauge

**HD:** heavy-duty

**HF:** hex flange

**HH:** hex head

**HHF:** hex head flange

**HHFTF:** hex head flange thread forming

**HJ:** hex jam

**HLH:** hex lag head

**HOC:** height-of-cut

**HP:** high pressure

**HSBH:** hex socket button head

**HSFH:** hex socket flat head

**HSH:** hex socket head

**HWH:** hex washer head

**HWHTF:** hex washer head thread forming

**HYD:** hydraulic

**LH:** left hand

**LP:** low pressure

**LPG:** Liquefied Petroleum Gas

**NI:** nylon insert

**NPTF:** national pipe thread fine

**PFH:** phillips flat head

**PPH:** phillips pan head

**PPHTF:** phillips pan head thread forming

**PRH:** phillips round head

**PTH:** phillips truss head

**PTO:** power-take-off

**RH:** right hand

**ROPS:** roll-over protection system

**RRB:** rear roller brush

**SFH:** slotted fillister head

**SHH:** slotted hex head

**SHWH:** slotted hex washer head

**SPH:** slotted pan head

**SQH:** square head

**SRH:** slotted round head

**STD:** standard

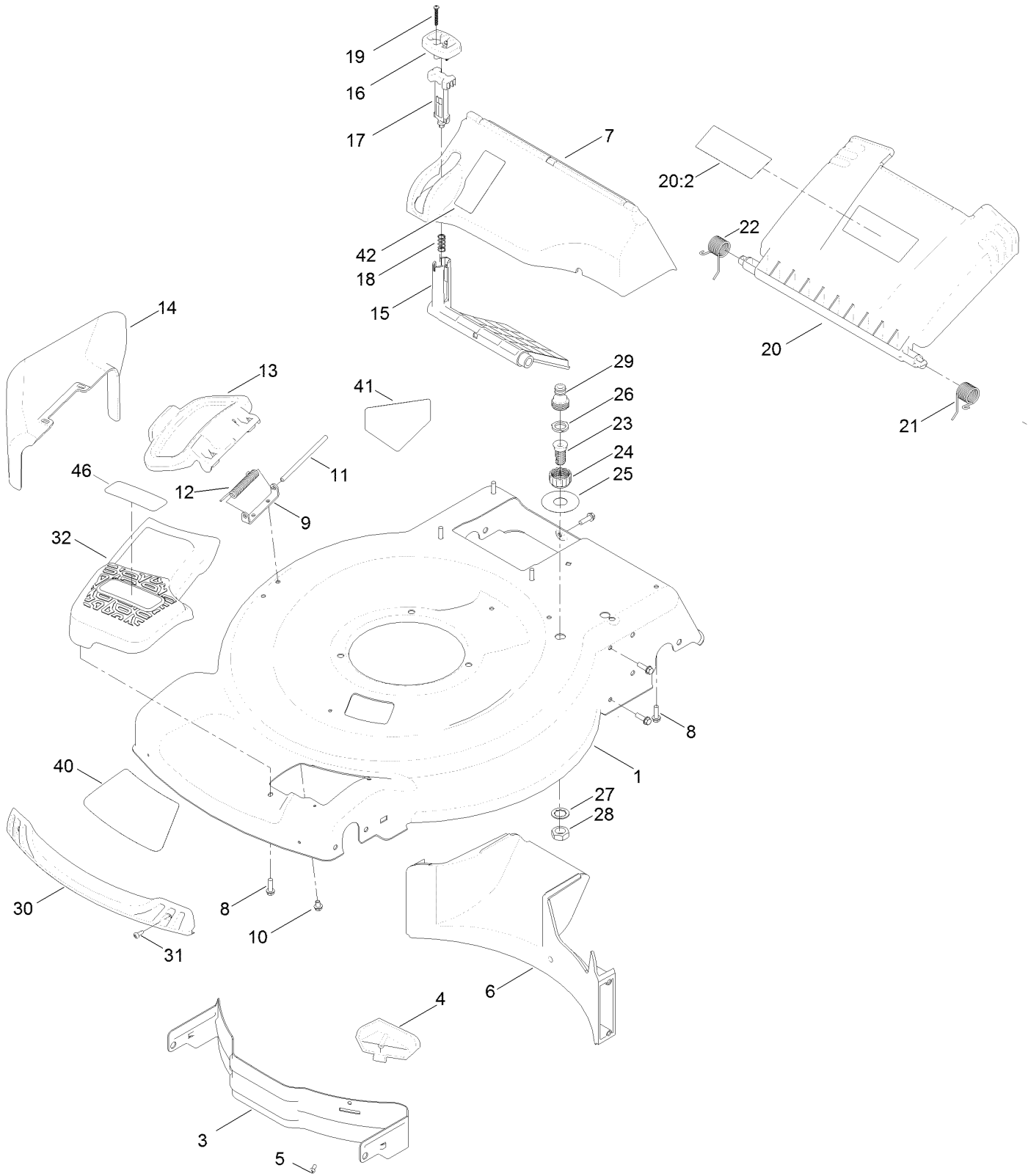
**TAP:** self tapping

**TTH:** torx truss head

# Contents

Housing and Rear Deflector Assembly .....	4
Rear Bag Assembly .....	6
Engine and Blade Assembly .....	8
Transmission and Front Wheel Drive Assembly .....	10
Height-of-Cut and Rear Wheel Assembly .....	12
Handle Assembly .....	14
Attachments and Accessories .....	16

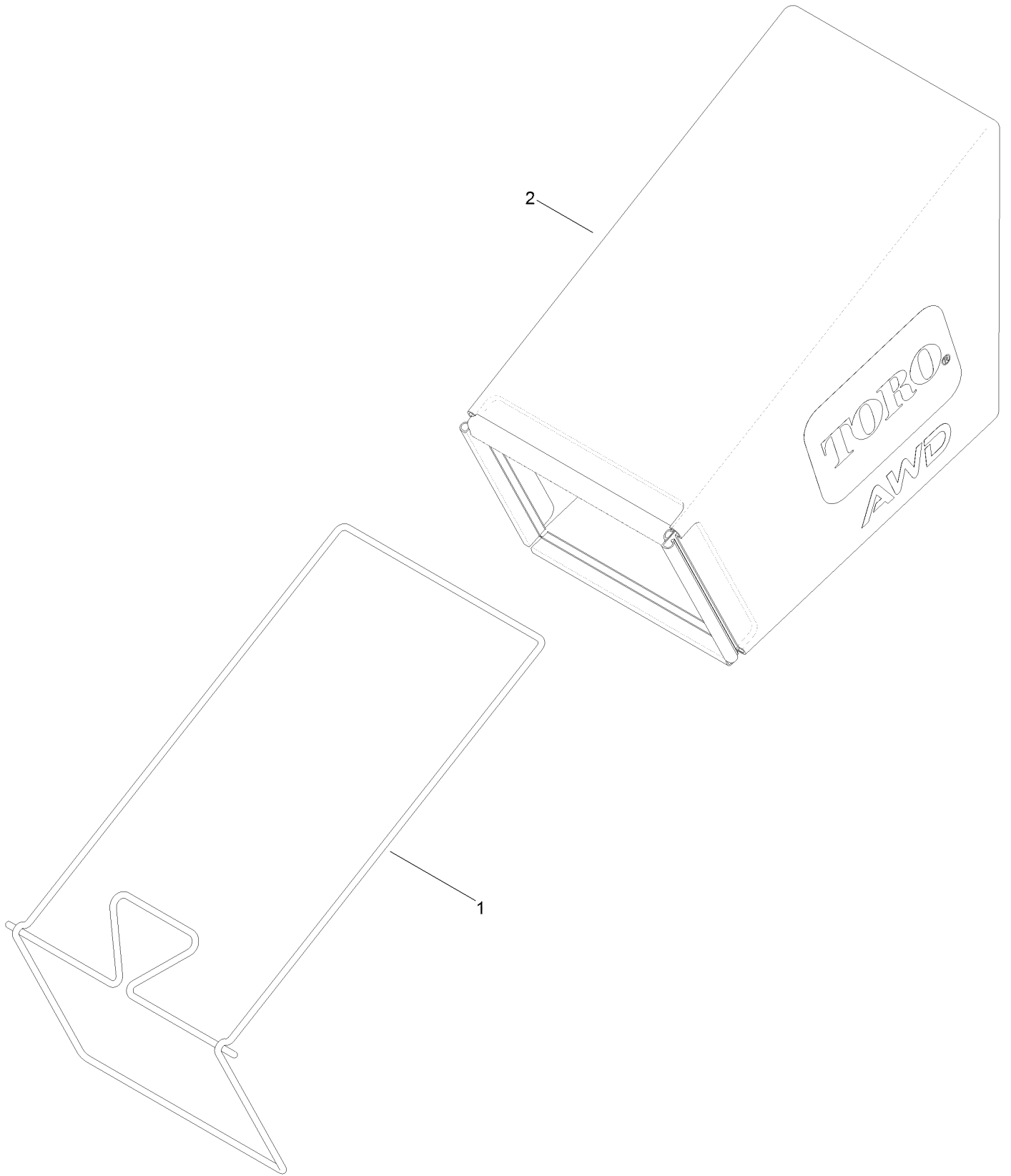
# Housing and Rear Deflector Assembly



## Housing and Rear Deflector Assembly (continued)

<i>Ref.</i>	<i>Part Number</i>	<i>Qty.</i>	<i>Description</i>	<i>Ref.</i>	<i>Part Number</i>	<i>Qty.</i>	<i>Description</i>
1	131-9671	1	Deck-22 Inch	20:2	114-7982	1	Decal-Warning
3	115-4667-01	1	Baffle-Front	21	115-2859	1	Spring-Torsion
4	115-4672	1	Kicker-Front	22	114-7924	1	Spring-Torsion
5	32144-111	1	Screw-PPH	23	112-6400	1	Port-Washout
6	114-7961	1	Baffle-Rear	24	112-6401	1	Coupling-Hose, Washout Port
7	115-4677	1	Chute-Recycle	25	112-8867	1	Decal-Port, Washout
8	46-8091	11	Screw-HWH	26	112-6438	1	Washer-Seal, Washout Port
9	112-6416	1	Bracket-Cover	27	3254-5	1	Washer-Tooth, Internal
10	99-8445	2	Screw-HWH	28	120-9494	1	Nut-Jam
11	99-5291	1	Rod-Cover	29	112-6437	1	Adapter-Connect, Quick
12	99-5293	1	Spring-Torsion	30	114-7987	1	Bumper
13	115-8449	1	Deflector-Side	31	105-6849	2	Screw-Thread Forming
14	115-8447	1	Chute-Discharge, Side	32	130-6708	1	Cover-Belt, Front
15	114-7960	1	Deflector-Recycle	40	120-3323	1	Decal-Deck
16	114-7958	1	Knob-Recycle	41	112-8760	1	Decal-Danger
17	114-7959	1	Latch-Recycle	42	125-5026	1	Decal-Bag On Demand
18	117-1031	1	Spring-Compression	46	131-4527	1	Decal-Cover
19	32104-120	2	Screw-PPH				
20	121-5776	1	Rear Door ASM				

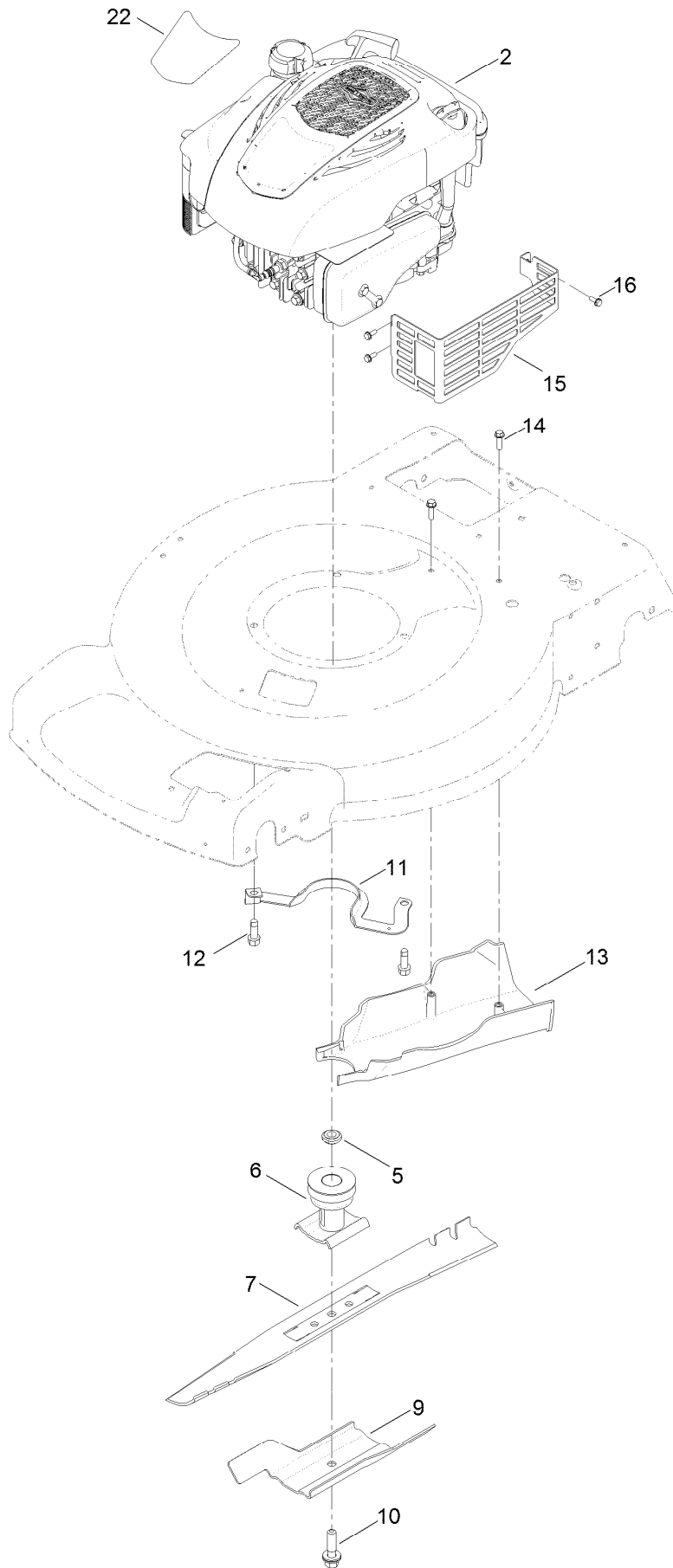
# Rear Bag Assembly



## Rear Bag Assembly (continued)

<i>Ref.</i>	<i>Part Number</i>	<i>Qty.</i>	<i>Description</i>
1	114-2679-03	1	Frame-Bag
2	131-0893	1	Grass Bag ASM

# Engine and Blade Assembly





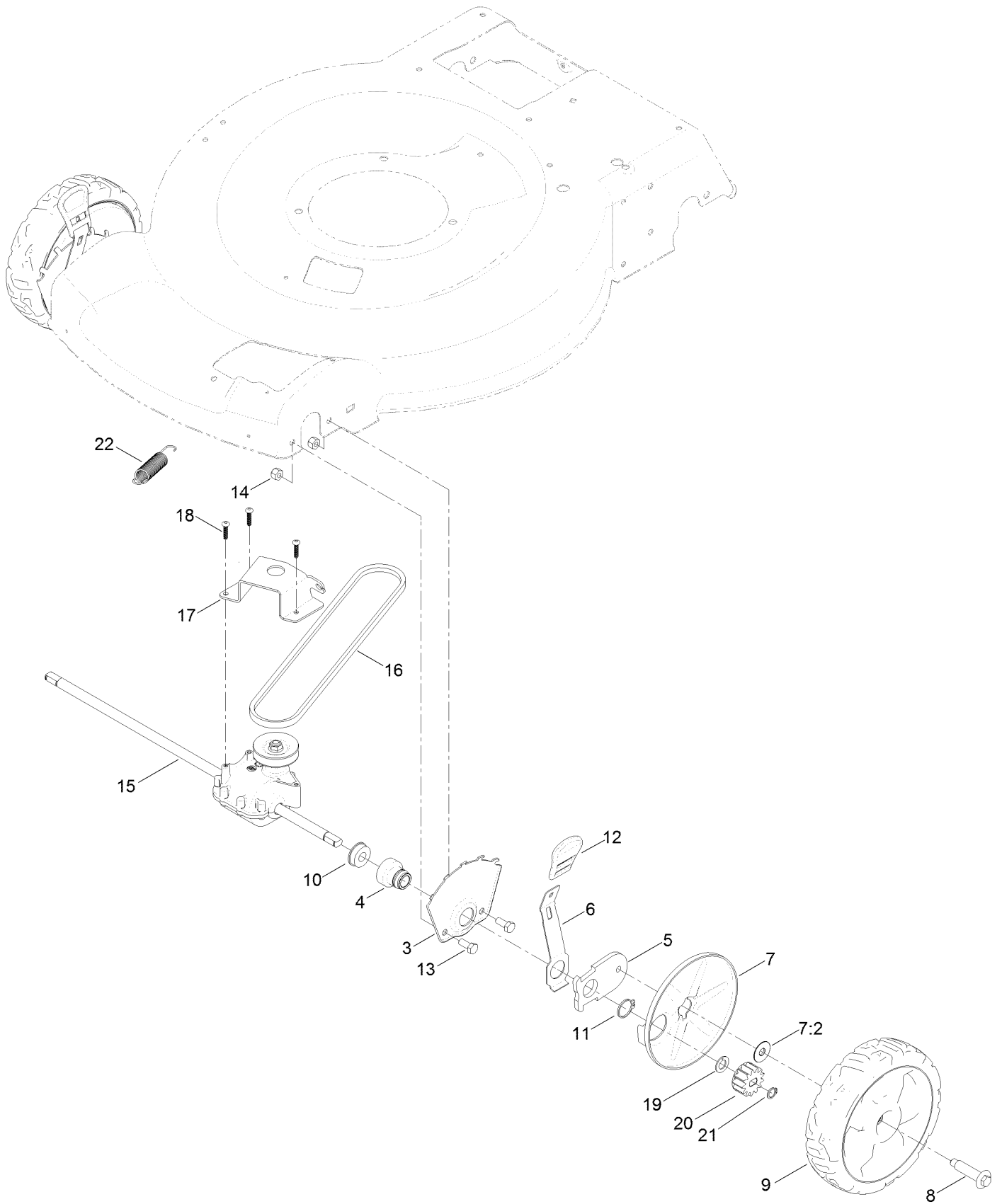
## Engine and Blade Assembly (continued)

<i>Ref.</i>	<i>Part Number</i>	<i>Qty.</i>	<i>Description</i>	<i>Ref.</i>	<i>Part Number</i>	<i>Qty.</i>	<i>Description</i>
2		1	Engine-Briggs 126M020119F1 ●■	11	130-6702-03	1	Guide-Belt
5	106-3999	1	Spacer-Driver	12	95-1726	3	Screw-Taptite
6	130-6705	1	Driver-Blade	13	130-6709	1	Cover-Belt (Rear)
7	108-9783-03	1	Blade	14	46-8091	2	Screw-HWH
9	105-6848-03	1	Accelerator-Blade	15	104-7577-03	1	Shield-Muffler
10	125-2466	1	Bolt-Blade	16	32144-1	3	Screw-Taptite
				22	120-1935	1	Decal-Shroud

● Not serviced separately

■ Obtain parts from [www.briggsandstratton.com](http://www.briggsandstratton.com)

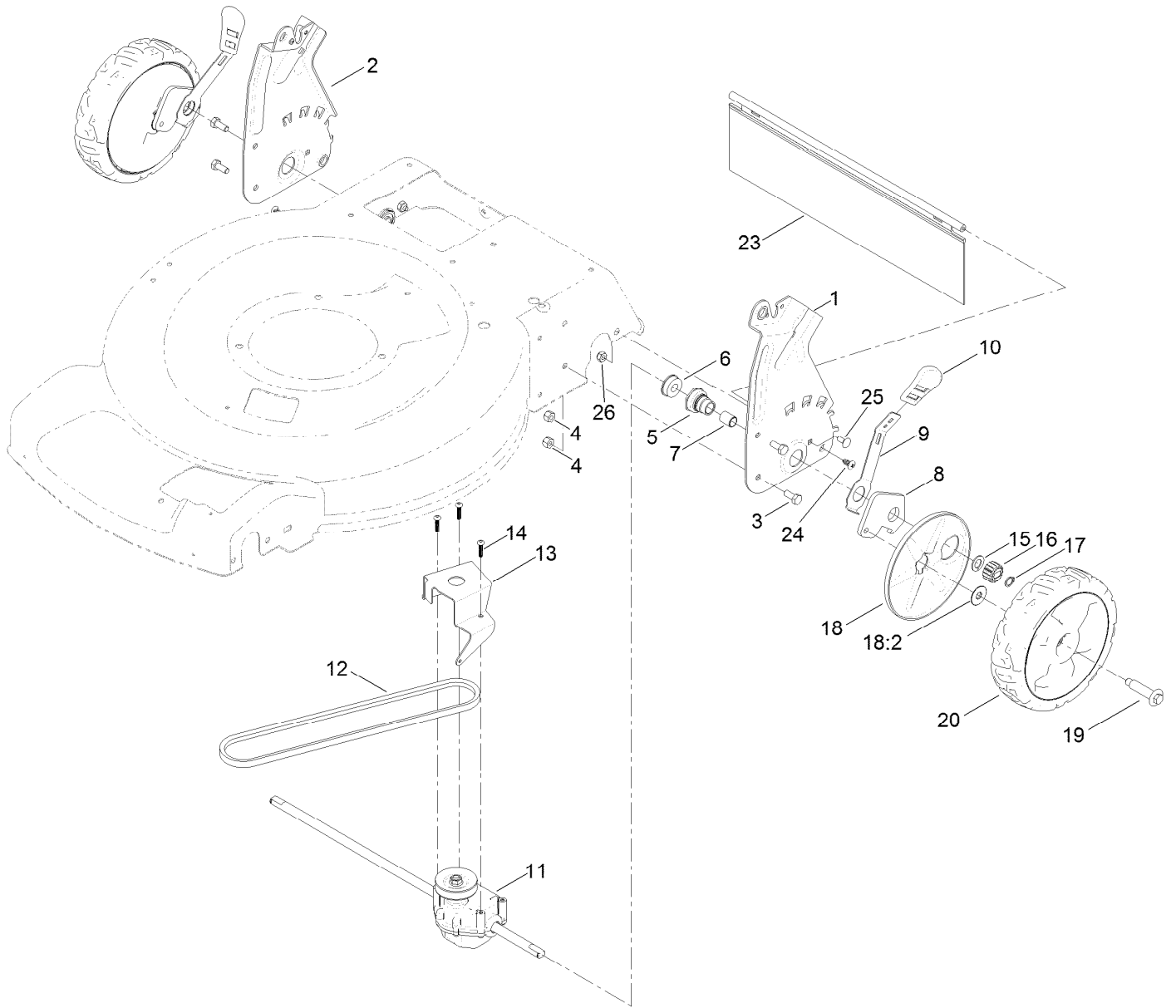
# Transmission and Front Wheel Drive Assembly



## Transmission and Front Wheel Drive Assembly (continued)

<i>Ref.</i>	<i>Part Number</i>	<i>Qty.</i>	<i>Description</i>	<i>Ref.</i>	<i>Part Number</i>	<i>Qty.</i>	<i>Description</i>
3	115-1956-03	2	Plate-HOC, Front	13	322-3	4	Screw-HH
4	131-0836	2	Retainer-Bearing, HOC	14	3296-29	4	Nut-Lock, NI
5	105-1807	2	Arm-Pivot, Front	15	121-9180	1	Transmission ASM
6	105-1809	2	Arm-Spring	16	71-9450	1	V-Belt
7	131-4513	2	Wheel Cover ASM	17	114-7978-03	1	Bracket-Transmission
7:2	614426	1	Washer-Stepped	18	108-7476	3	Screw-Plastite
8	614650	2	Bolt-Shoulder	19	110-7191	2	Washer-Thrust
9	130-6711	2	8 Inch Wheel ASM (Front)	20	131-0896	2	Gear-Pinion, 13T
10	104-8699	2	Bearing-Ball	21	32151-61	2	Ring-Retaining
11	32151-36	2	Ring-Retaining	22	131-4560	1	Spring-Extension
12	110-0549	2	Knob-HOC	22	131-4560	1	Spring-Extension

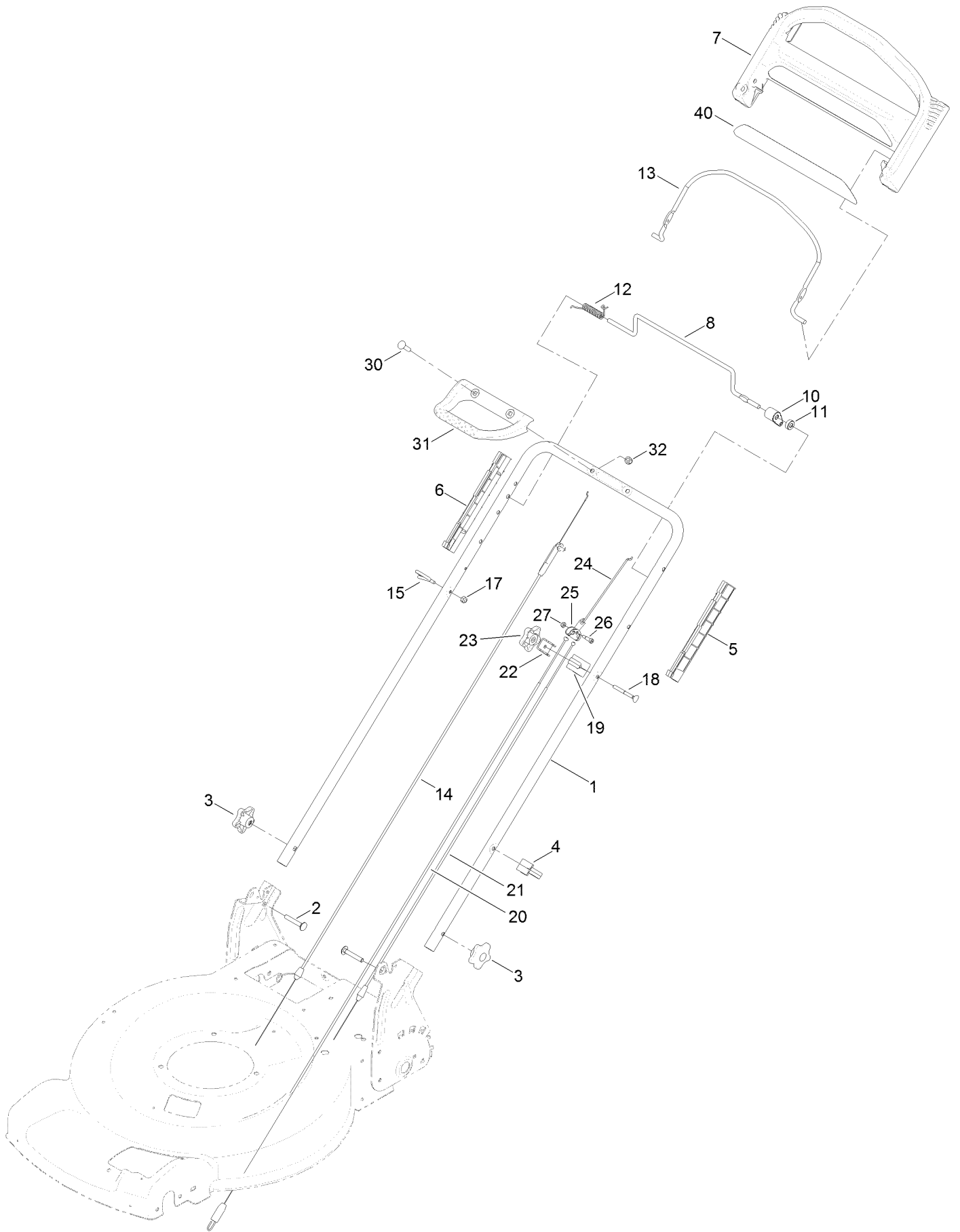
# Height-of-Cut and Rear Wheel Assembly



## Height-of-Cut and Rear Wheel Assembly (continued)

<i>Ref.</i>	<i>Part Number</i>	<i>Qty.</i>	<i>Description</i>	<i>Ref.</i>	<i>Part Number</i>	<i>Qty.</i>	<i>Description</i>
1	127-6877-03	1	Plate-Rear, LH (HOC)	14	108-7476	3	Screw-Plastite
2	127-6878-03	1	Plate-Rear, RH (HOC)	15	110-7191	2	Washer-Thrust
3	322-3	4	Screw-HH	16	131-0875	2	Gear-Pinion, 15T
4	3296-29	4	Nut-Lock, NI	17	32151-61	2	Ring-Retaining
5	108-9779	2	Retainer-Bushing, HOC	18	131-4513	2	Wheel Cover ASM
6	104-8699	2	Bearing-Ball	18:2	614426	1	Washer-Stepped
7	108-9782	2	Bushing-Sleeve	19	614650	2	Bolt-Shoulder
8	108-9781	2	Arm-Pivot, Rear	20	130-6714	2	8 Inch Wheel Gear ASM
9	108-9780	2	Arm-Spring	23	120-7012	1	Shield-Trailing
10	110-0549	2	Knob-HOC	24	117-1092	2	Screw-PTH
11	121-9178	1	Transmission ASM	25	3229-11	2	Screw-CARR
12	115-4669	1	Belt-V	26	3296-16	2	Nut-Lock, NI
13	114-7977-03	1	Bracket-Transmission				

# Handle Assembly



## Handle Assembly (continued)

<i>Ref.</i>	<i>Part Number</i>	<i>Qty.</i>	<i>Description</i>	<i>Ref.</i>	<i>Part Number</i>	<i>Qty.</i>	<i>Description</i>
1	130-6715-05	1	Handle	18	92-2270	1	Screw-Handle
2	3230-6	2	Screw-CARR	19	130-6716	1	Mount-Cable, Traction
3	117-5976	2	Knob-Handle	20	130-6717	1	Cable-Traction, Front
4	114-7988	1	Guide-Cable	21	130-6718	1	Cable-Traction, Rear
5	105-6842	1	Guide-LH	22	130-6704	1	Clamp-Cable
6	105-6841	1	Guide-RH	23	131-0897	1	Knob-Handle, Locking
7	104-8678	1	Handle-Control	24	130-6720	1	Linkage, Equalizer
8	99-1588	1	Bar-Control, Traction	25	130-6719	1	Yoke-Cable
10	127-6842	1	Lever-Traction	26	125-8434	1	Screw-Shoulder
11	130-2343	1	Spacer	27	3296-2	1	Nut-Lock, NI
12	121-9118	1	Spring-Torsion	30	99-6005	2	Bolt-Carriage
13	104-8679-03	1	Bail-Brake	31	131-0847	1	Handle-Assist, Traction
14	115-8437	1	Cable-Brake	32	131-4535	2	Nut-Acorn
15	86-9671	1	Guide-Rope	40	131-4539	1	Decal-Automatic Drive
17	3296-73	2	Nut-Lock, NI				

# Attachments and Accessories

## For 20960 55cm Recycler Lawn Mower

<b>Product Name</b>	<b>Model/Part</b>
Fuel Stabilizer .05 oz .....	130-2393
AWD Replacement Bag and Frame Kit .....	131-4556
Lawn Striping Kit with 22in Roller.....	20601



**Notes:**

**Notes:**

**Notes:**



**Count on it.**