

TORO[®]

WEAR PLATE KIT

FOR 21" REAR BAGGER WALK POWER MOWERS

PART NO. 49-4080

INSTALLATION INSTRUCTIONS

Since this instruction sheet covers only a minimal amount of information necessary to maintain and operate your machine, we suggest that you keep this material with your Operator's Manual so that both may be referred to for instructions concerning safe operation and proper maintenance procedures.

Kit Contents

DESCRIPTION	QUANTITY
Pivot Washer	2
Front Wear Plate	2
Rear Wear Plate	2
1/4-20 x 1/2 Screw	8
Wheel Bolt	2

! CAUTION

POTENTIAL HAZARD

- If you leave the wire on the spark plug, someone could start the engine.

WHAT CAN HAPPEN

- Accidental starting of engine could seriously injure you or other bystanders.

HOW TO AVOID THE HAZARD

- Pull wire off spark plug before you do any maintenance. Also push wire aside so it does not accidentally contact spark plug.

Install Front Wear Plates

1. Place a wood block under front of housing to raise wheels for removal (Fig. 1).

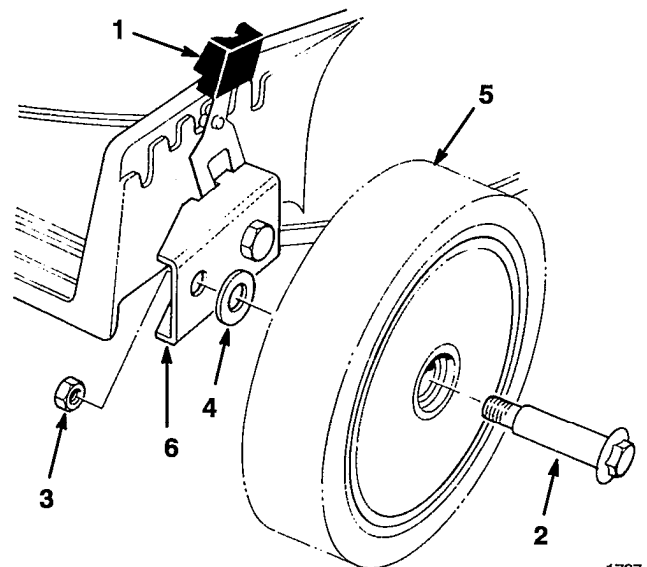


Figure 1

1. Spring arm
 2. Wheel bolt
 3. Nut
 4. Washer
 5. Wheel
 6. Pivot arm
2. Move spring arm to highest height-of-cut setting (Fig. 1).
 3. Remove wheel bolt washer and nut securing wheel to pivot arm (Fig. 1).
 4. Position front wear plate (with five notches) between spring arm and mower housing, aligning notches in wear plate with height-of-cut notches in mower housing. End of wear plate with two holes should always be towards the rear of mower (Fig. 2).

Note: Wear plate may fit contour of mower housing better if slightly bent.

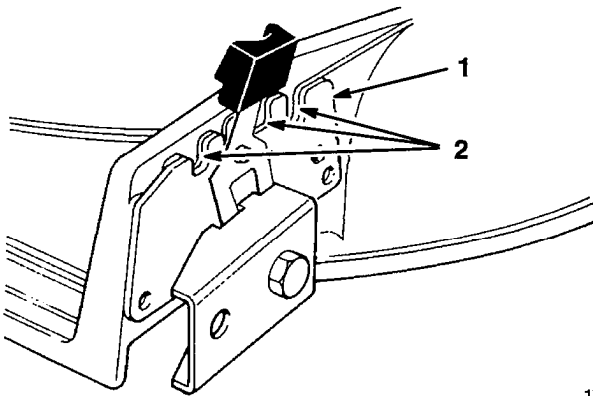


Figure 2

1738

1. Wear plate 2. Notches

5. Using wear plate as a template, locate and mark two mounting holes, using front hole and lower rear hole (Fig. 3).

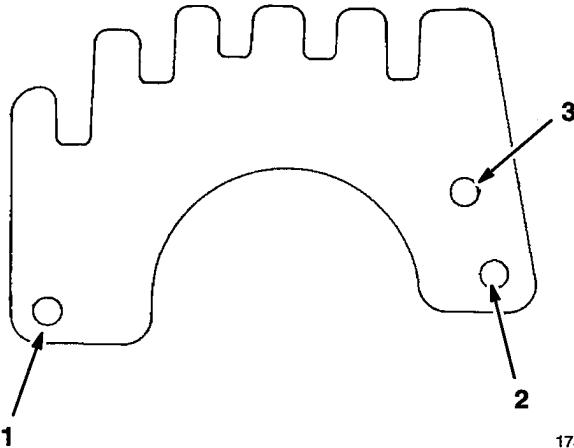


Figure 3

1739

1. Front and back mounting 3. Do not use
2. Front only

6. Drill two 7/32" dia. by 5/8" deep holes for mounting.
7. Secure wear plate to mower housing with two 1/4-20 thread forming screws (Fig. 4).

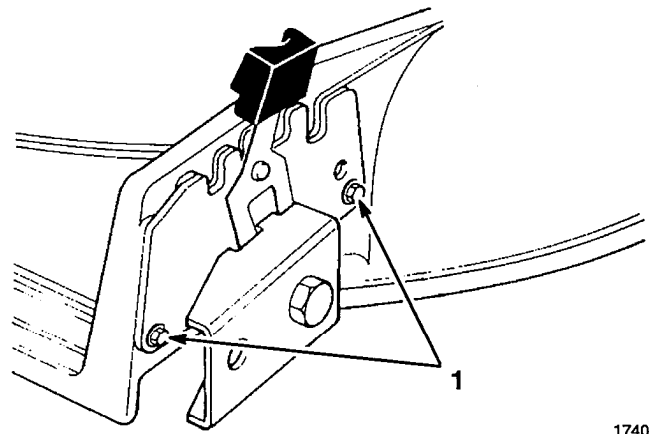


Figure 4

1740

1. Thread forming screw

8. Reinstall wheel to pivot arm with wheel bolt, washer and nut.

Note: If spring arm contacts tire before button is out of wear plate notch when changing height-of-cut, slightly bend top of spring arm back toward housing.

Install Rear Wear Plates

Note: To install rear wear plates, repeat removal and assembly procedures as previously instructed, except on hand-propelled models, rear spring arms must be removed and washers between spring arms and housing replaced with washers included in kit.

Use the shorter wheel bolts supplied with the kit for the rear wheels to provide clearance between the wheel bolt and the wear plate fastener bolt (1/4 x 20 screw).