



**Deluxe Seat Kit**  
**Zero-Turn-Radius Riding Mower**  
 Model No. 131-7699

**Installation Instructions**

**▲ WARNING**

**CALIFORNIA**  
**Proposition 65 Warning**

This product contains a chemical or chemicals known to the State of California to cause cancer, birth defects, or reproductive harm.

# Installation

## Loose Parts

Use the chart below to verify that all parts have been shipped.

Procedure	Description	Qty.	Use
<b>1</b>	Seat and seat-pan assembly	1	Install the seat assembly.
<b>2</b>	No parts required	–	Test the safety-interlock system.

# 1

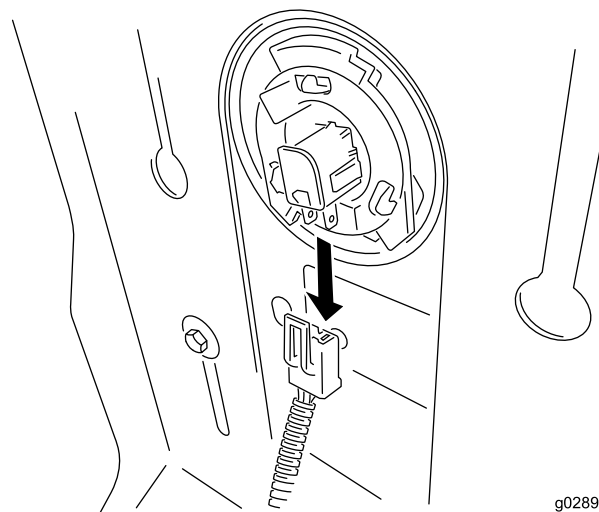
## Installing the Seat Assembly

### Parts needed for this procedure:

1	Seat and seat-pan assembly
---	----------------------------

### Procedure

1. Tilt the seat up.
2. Disconnect the harness from the seat switch.

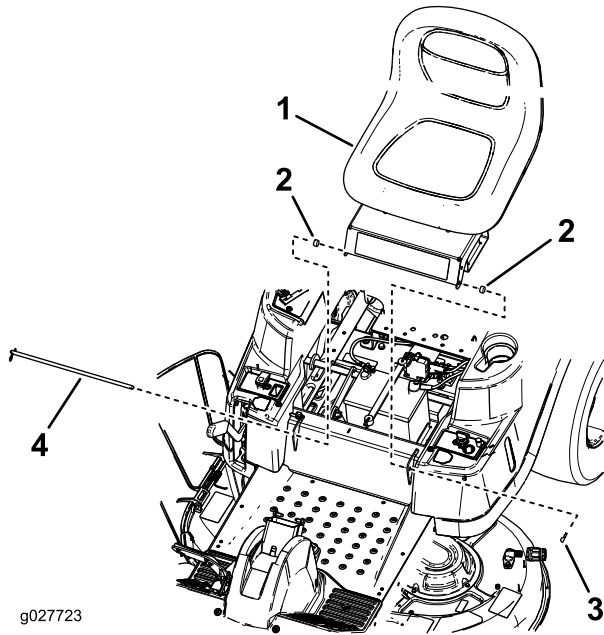


g028954

**Figure 1**



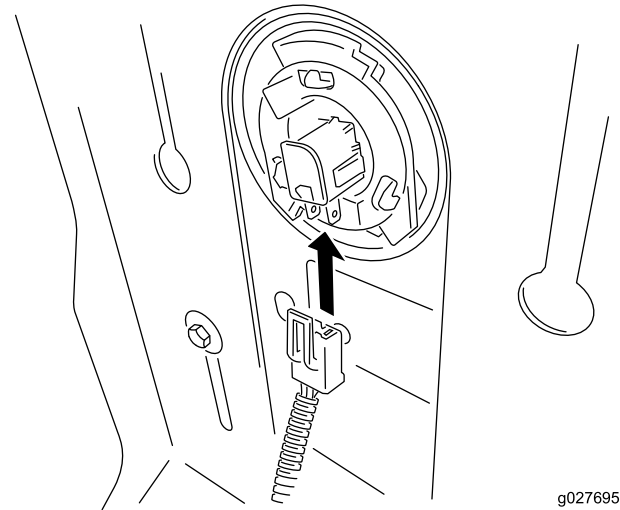
- Remove the existing seat and seat-pan from the machine (Figure 2).
- Install the new seat seat-pan assembly to the frame with the seat rod, 2 hairpin cotter pins, and 2 spacers (certain models only) (Figure 2).



**Figure 2**  
SW model shown

- |  |   |
|--|---|
| 1. Existing seat and seat-pan assembly | 3. Hairpin cotter pin                         |
| 2. Spacers (certain models only)       | 4. Seat rod with hairpin cotter pin installed |

- Connect the seat switch (Figure 3).



**Figure 3**

## 2

### Testing the Safety-Interlock System

#### No Parts Required

#### Procedure

#### **⚠ CAUTION**

If safety interlock switches are disconnected or damaged the machine could operate unexpectedly causing personal injury.

- Do not tamper with the interlock switches.
- Check the operation of the interlock switches daily and replace any damaged switches before operating the machine.

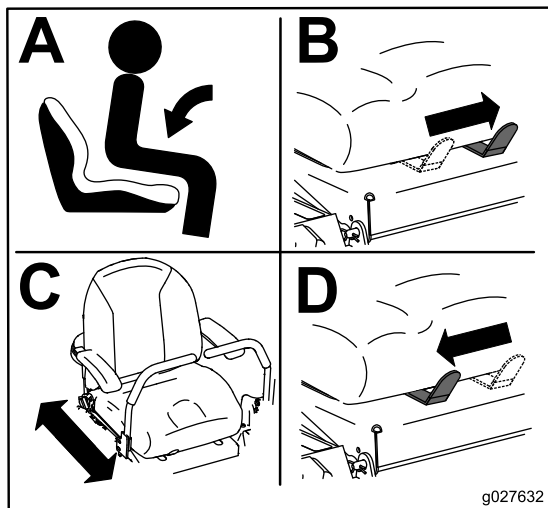
Refer to your *Operator's Manual* for the correct procedure to check the safety-interlock system.

Test the safety-interlock system before you use the machine each time. If the safety system does not operate as described below, have an Authorized Service Dealer repair the safety system immediately.

# Operation

## Positioning the Seat

The seat can move forward and backward. Position the seat where you have the best control of the machine and are most comfortable.



**Figure 4**  
Control lever model shown



**Count on it.**