



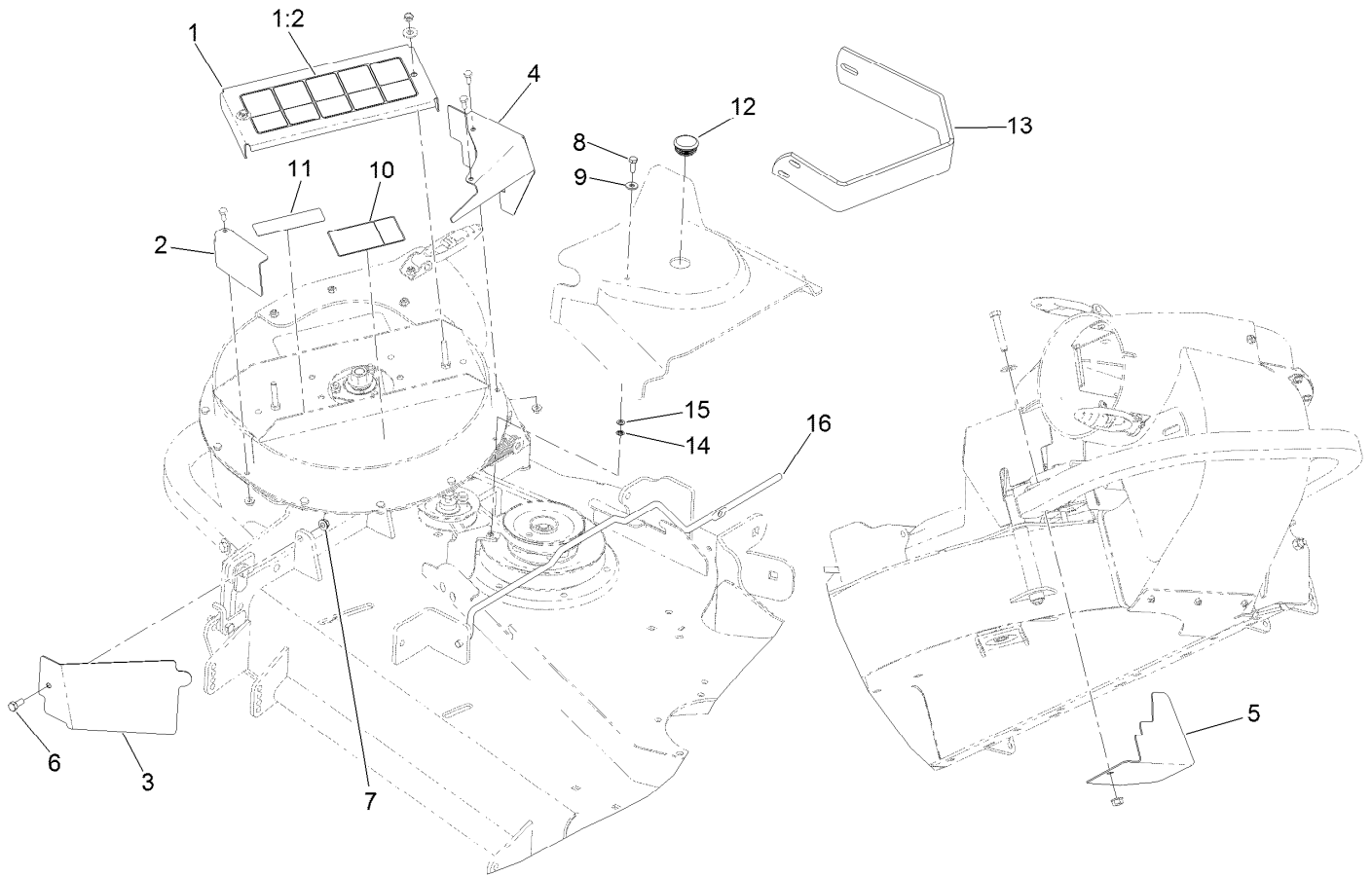
**Count on it.**

**Parts Catalog**

**CE Bagger Compliance Kit**  
**60in Z Master® G3 Mower**

Model No. 127-0338





## CE Bagger Compliance Assembly No. 127-0338

<i>Ref.</i>	<i>Part Number</i>	<i>Qty.</i>	<i>Description</i>
1	117-0935	1	Bearing Cover ASM
1:2	117-0923	1	Decal-Danger
2	117-0938-03	1	Guard-Left
3	117-0936-03	1	Guard-Front
4	117-0937-03	1	Guard-Back
5	117-0939-03	1	Guard-Lower
6	322-43	1	Screw-HH
7	32128-25	1	Nut-HF
8	321-4	1	Screw-HH

<i>Ref.</i>	<i>Part Number</i>	<i>Qty.</i>	<i>Description</i>
9	3256-2	1	Washer-Flat
10	117-0931	1	Decal-Warning
11	112-9028	1	Decal-Missing Cover
12	117-0946	1	Plug-Plastic
13	126-2067-03	1	Guard-Muffler
14	106-8737	1	Nut-Retainer
15	3256-60	1	Washer-Flat
16	131-8743	1	Rod-Support, Lower