



# Heated Grip Kit

## Power Max Heavy Duty Snowthrowers

Model No. 131-6460

### Installation Instructions

## Installation

### Loose Parts

Use the chart below to verify that all parts have been shipped.

Description	Qty.	Use
Rivet	2	Install the kit.
Heated grip	1	
Epoxy packet	1	

- Place the epoxy along the inside of the heated grip (Figure 1).

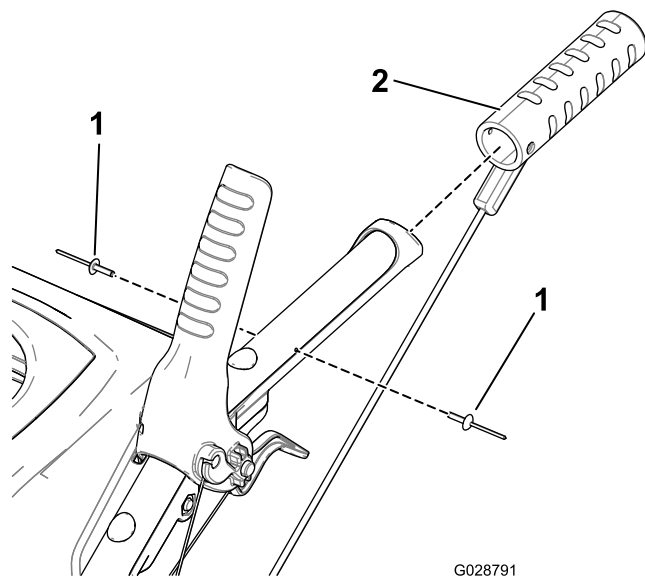


Figure 1

G028791

- Rivets
- Heated grip

- Slide the heated grip onto the handle, lining up the holes in the grip with the hole in the handle (Figure 1).
- Secure the heated grip to the handle using 2 rivets (Figure 1).
- Connect the wire on the grip to the bottom of the button on the underside of the dashboard (Figure 2).

## Operation

### Operating the Heated Grip

Flip the switch to the On position to turn on the hand warmer.

Flip the switch to the Off position to turn off the hand warmer.

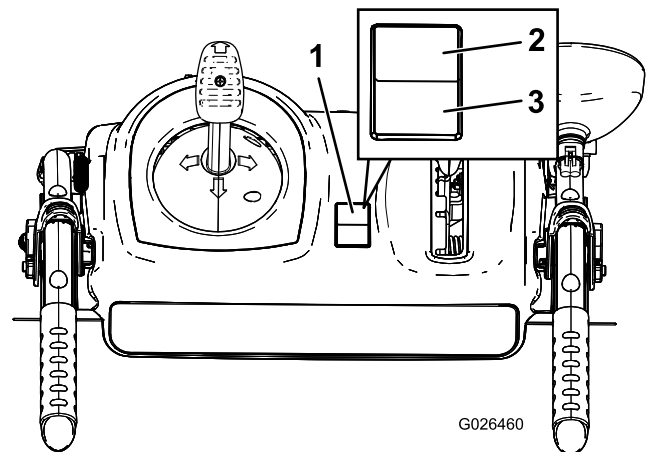


Figure 2

G026460

- On/off switch
- On position
- Off position

