



42in Recycler® Kit

Riding Mower

Model No. 131-4182

Installation Instructions

▲ WARNING

CALIFORNIA Proposition 65 Warning

This product contains a chemical or chemicals known to the State of California to cause cancer, birth defects, or reproductive harm.

Installation

Loose Parts

Use the chart below to verify that all parts have been shipped.

Procedure	Description	Qty.	Use
1	No parts required	–	Prepare the mower.
2	No parts required	–	Remove the blades.
3	Upper baffle Bolt (5/16 x 5/8 inch) Flange-head nut (5/16 inch) Bolt (1/4 x 5/8 inch) Locknut (1/4 inch)	1 3 3 4 4	Install the upper baffle.
4	Kicker plate Phillips head screw (#8 x 5/8 inch)	3 6	Install the kicker plates.
5	Discharge cover Bolt (1/4 x 2-1/2 inches) Cap nut (1/4 inch)	1 2 2	Install the discharge cover.
6	Recycling decal	1	Install the decal.
7	Mulching mower blade	2	Install the blades and mower.



▲ WARNING

While maintenance or adjustments are being made, someone could start the engine. Accidental starting of the engine could seriously injure you or other bystanders.

Remove the key from the ignition switch, engage parking brake, and pull the wires off the spark plugs before you do any maintenance. Push the wires aside so they do not accidentally contact the spark plugs.

1

Preparing the Mower

No Parts Required

Procedure

1. Stop the engine and remove the ignition key.
2. Remove the mower as described in your *Operator's Manual*.
3. Turn the mower upside down.
4. Remove the locknut (3/8 inch) securing the discharge chute retaining rod to the mower (Figure 1).

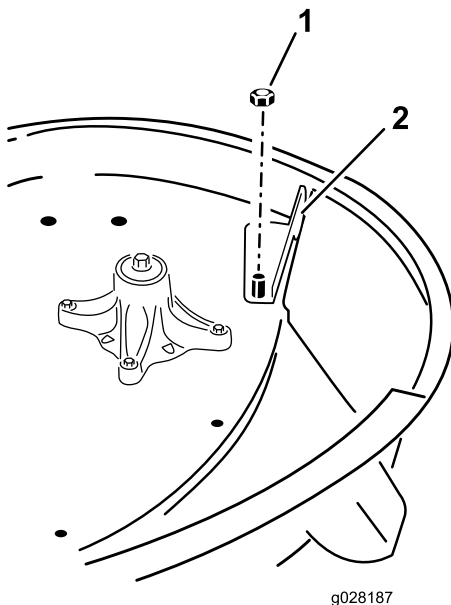


Figure 1

1. Locknut (3/8 inch)
2. Cutoff baffle

5. If the deck has a cutoff baffle installed, remove the cutoff baffle (Figure 1). Retain the parts for converting back to side discharge.

2

Removing the Blades

No Parts Required

Procedure

1. Choose the style of blade, of those shown in Figure 2 and Figure 3 that best matches the blades on your mower. Hold the blade end using a rag or thickly-padded glove and remove the blade as shown.

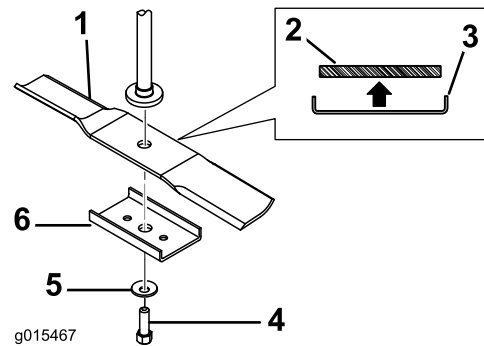


Figure 2

Blade style A mounting configuration

- | | |
|-----------------------------------|--------------------------|
| 1. Blade style A | 4. Blade bolt |
| 2. Cross section of blade style A | 5. Curved washer style A |
| 3. Blade stiffener required | 6. Blade stiffener |

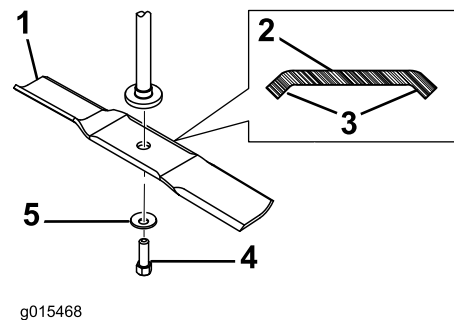


Figure 3

Blade style B mounting configuration

- | | |
|-----------------------------------|--------------------------|
| 1. Blade style B | 4. Blade bolt |
| 2. Cross section of blade style B | 5. Curved washer style B |
| 3. Bends add extra stiffness | |

2. The replacement blades within this kit do not need a stiffener. If you removed one, keep it in case future replacement blades require it.

3

Installing the Upper Baffle

Parts needed for this procedure:

1	Upper baffle
3	Bolt (5/16 x 5/8 inch)
3	Flange-head nut (5/16 inch)
4	Bolt (1/4 x 5/8 inch)
4	Locknut (1/4 inch)

Procedure

1. Locate the holes illustrated in [Figure 4](#) and proceed as follows:
 - If any of the holes have fasteners in them, remove the fasteners.
 - If any of the holes have rivets in them, drill out the center of each rivet with a 5 mm (3/16 inch) drill bit and discard the rivet.

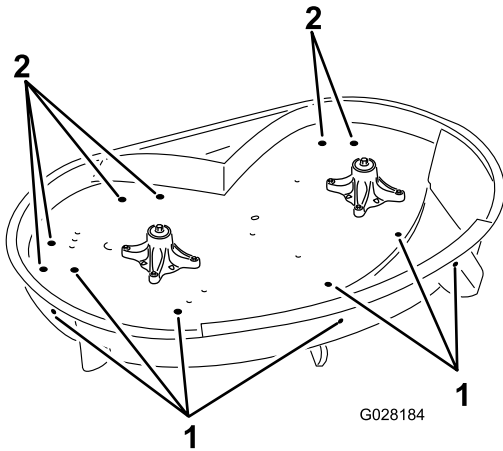


Figure 4

1. Installation hole—Upper baffle
2. Installation hole—Kicker plates

2. Install the upper baffle, tabs pointed into the mower as shown in [Figure 5](#). Ensure that the threads of the discharge chute rod come through the baffle hole.

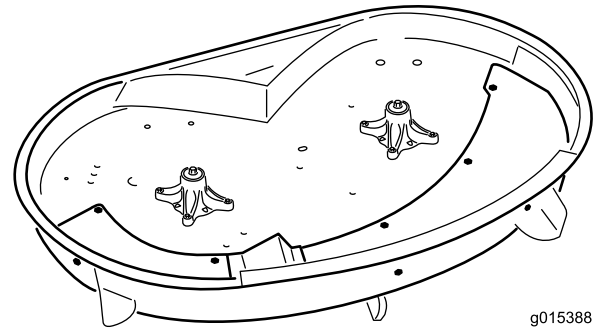
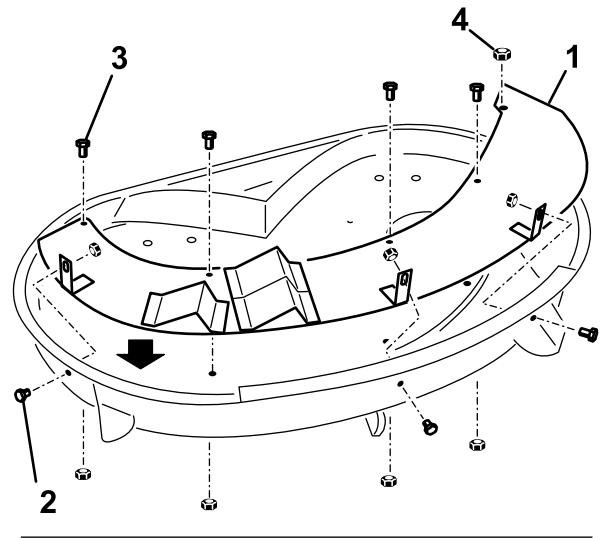


Figure 5

1. Upper baffle
2. Bolt (5/16 x 5/8)
3. Bolt (1/4 x 5/8 inch)
4. Locknut

3. Install the locknut removed previously over the threads of the discharge chute retaining rod to secure the baffle to the mower ([Figure 5](#)).
4. Install 3 bolts (5/16 x 5/8 inch) and 3 flange nuts (5/16 inch) through the side of the mower at each tab as shown in [Figure 5](#). Install the fasteners with the nuts on the inside.
5. Install 4 bolts (1/4 x 5/8 inch) in the baffle and up through the top of the mower and secure it with 4 locknuts (1/4 inch) as shown in [Figure 5](#).

4

Installing the Kicker Plates

Parts needed for this procedure:

3	Kicker plate
6	Phillips head screw (#8 x 5/8 inch)

Procedure

1. Align the 3 kicker plates with holes toward the top of the mower (Figure 6). The long slope of the kickers must be face inward.

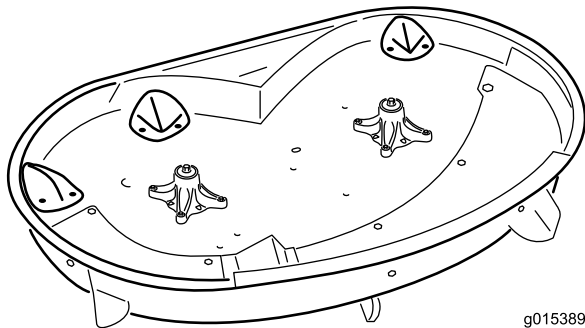
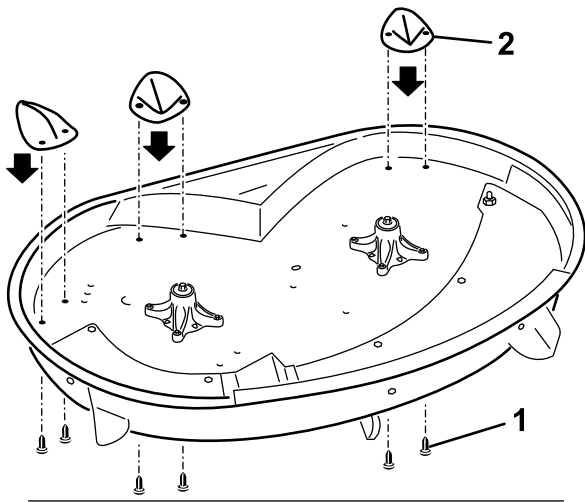


Figure 6

g015389

1. Phillips head screw (#8 x 5/8 inch)
2. Kicker plate

2. Secure the plates to the mower using 6 Phillips head screws (#8 x 5/8 inch). The screws come up through the top of the mower and into the plates (Figure 6).

5

Installing the Discharge Cover

Parts needed for this procedure:

1	Discharge cover
2	Bolt (1/4 x 2-1/2 inches)
2	Cap nut (1/4 inch)

Procedure

1. Lift the grass deflector and slide the tabs on top of the discharge cover under the grass deflector retaining rod.
2. Rotate the discharge cover down over the opening, and onto the lower lip of the mower (Figure 7).

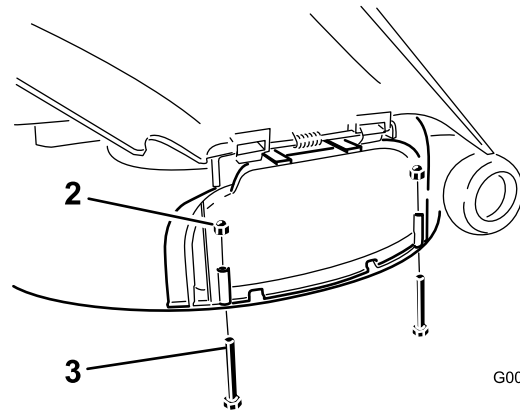
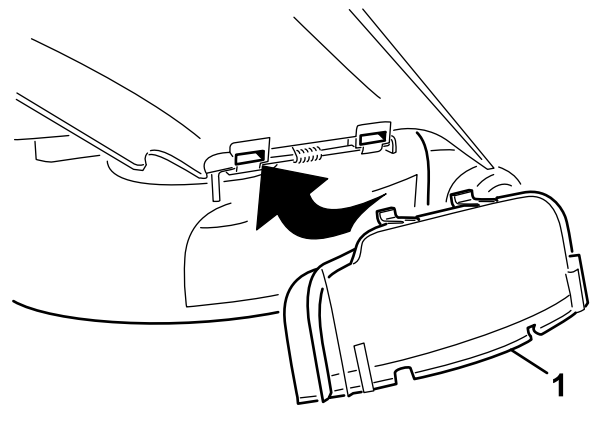


Figure 7

G005652

1. Grass deflector
2. Cap nut (1/4 inch)
3. Bolt (1/4 x 2-1/2 inches)

3. Secure the discharge cover to the lower lip of the mower with 2 bolts (1/4 x 2-1/2 inches) and 2 cap nuts (1/4 inch) as shown in Figure 7.

Note: Do not overtighten the nuts; this could distort the cover and cause blade contact.

6

Installing the Decal

Parts needed for this procedure:

1	Recycling decal
---	-----------------

Procedure

Install the decal on the left side of the mower (Figure 8)

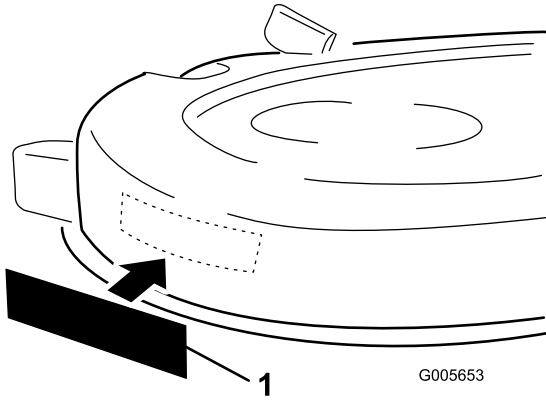


Figure 8

1. Decal

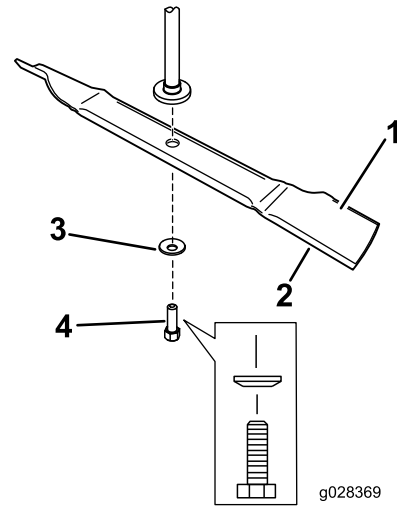


Figure 9

1. Sail area of blade
2. Blade
3. Curved washer
4. Blade bolt

2. Install the curved washer (cupped side toward the blade) and the blade bolt (Figure 9).

Note: Do not install a blade stiffener. These blades do not require the blade stiffener (Figure 9).

3. Torque the blade bolt to 47-88 N-m (35-65 ft-lb).
4. Install the mower as described in your *Operator's Manual*.
5. Install the spark plug cables and ignition key.

7

Installing the Blades and Mower

Parts needed for this procedure:

2	Mulching mower blade
---	----------------------

Procedure

1. Install the blade onto the spindle shaft (Figure 9).

Important: The sail area (curved part) of the blade must be pointing upward toward the inside of the mower to ensure proper cutting.

Operation

Converting to Side-Discharge Operation

▲ DANGER

Without the grass deflector, discharge cover, or complete grass catcher assembly mounted in place, you and others are exposed to blade contact and thrown debris. Contact with rotating mower blade(s) and thrown debris will cause injury or death.

- Never remove the grass deflector from the mower because the grass deflector routes material down toward the turf. If the grass deflector is ever damaged, replace it immediately.
- Never put your hands or feet under the mower.
- Never try to clear the discharge area or mower blades unless you move the power take off (PTO) to disengage and turn the ignition key to off. Also remove the key and pull the wire off the spark plug(s).

Note: To use the mower in side discharge mode, only remove the discharge cover. Mounting hardware must be installed in open holes.

1. Stop the engine and remove the ignition key.
2. Remove the 2 bolts and nuts that secure the discharge cover to the mower.
3. Remove the discharge cover.
4. If the mower originally had a cutoff baffle, install it now.
5. Lower the grass deflector over the discharge opening.

Important: Ensure the mower has a hinged grass deflector that disperses clippings to the side and down toward the turf, while in side discharge mode.

To mulch grass clippings, install the discharge cover into the opening in the side of the mower; refer to [5 Installing the Discharge Cover \(page 4\)](#).

Operating Tips

Selecting the Proper Height-of-Cut Setting to Suit the Conditions

Remove approximately 1 inch or no more than 1/3 of the grass blade when cutting. In exceptionally lush and dense grass you may need to raise the height-of-cut setting another notch or convert to side discharge or bagging operations.

Mowing in Extreme Conditions

Air is required to cut and recut grass clippings in the mower housing, so do not set the height-of-cut too low or totally surround the housing by uncut grass. Always have one side of the mower housing free from uncut grass, allowing air to be drawn into housing. When making an initial cut through the center of the uncut area, operate the machine at a slower speed and back up if the mower starts to clog.

Mowing at the Proper Intervals

Under normal conditions you will need to mow every 4-5 days. However, grass grows at different rates at different times. In order to maintain the same height-of-cut, you will need to cut more frequently in early spring; as the grass growth rate slows in mid summer, cut only every 8-10 days. If you are unable to mow for an extended period due to the weather conditions or other reasons, convert to side discharge or bagging options or mow first with the height-of-cut at a high level; then mow again 2-3 days later with a lower height setting.

Mowing with Sharp Blades

A sharp blade cuts cleanly and without tearing or shredding the grass blade like a dull blade. Tearing and shredding causes the grass to turn brown at the edges which impairs growth and increases susceptibility to disease.

Cleaning after Operating

To ensure optimum performance, clean the underside of the mower housing. If residue builds up in the mower housing, cutting performance will decrease.

Notes:



Count on it.