



Count on it.

Parts Catalog

Commercial Walk-Behind Mower
Fixed Deck, T-Bar, Gear Drive with 36in
TURBO FORCE® Cutting Unit

Model No. 39674—Serial No. 315000001 and Up



Ordering Replacement Parts

To order replacement parts, please supply the part number, the quantity, and the description of each part desired.

Understanding Reference Numbers

Each identified part in an illustration has a reference number. The reference number for a part also appears in the parts list, along with other information about the part.

This catalog uses two special reference number formats, one to indicate parts in a service assembly and another to indicate the quantity of a given part in an illustration.

Service Assembly Reference Numbers

Parts in service assemblies have reference numbers in the form a:b. The a represents the reference number of the entire service assembly and the b represents a sequential number unique to each part within the service assembly.

For example, a wheel assembly might be identified by reference number 6, the tire by 6:1, the valve by 6:2, and the wheel by 6:3. When you order the assembly identified by reference number 6, you receive all parts identified by reference numbers 6:1, 6:2, and 6:3. However, you may also order any part individually. Reference numbers of this type appear in illustration and in parts lists.

Reference Numbers Indicating Quantity

In an illustration, if a reference number indicates more than one part, the reference number has the form nX y. The n represents the quantity of the part, the X is the multiplication symbol, and the y represents the reference number.

For example, in an illustration, the reference number 2X 37 means that two of the parts identified by reference number 37 are indicated.

List of Abbreviations

AR: as required

ASM: assembly

BBC: blade brake control

BHTF: button head thread forming

CARR: carriage

CCW: counter clockwise

CW: clockwise

DEG: degrees

DPA: Dual Point Adjustment

ECM: electronic control module

EXT: external

FH: flat head

GA: gauge

HD: heavy-duty

HF: hex flange

HH: hex head

HHF: hex head flange

HHFTF: hex head flange thread forming

HJ: hex jam

HLH: hex lag head

HOC: height-of-cut

HP: high pressure

HSBH: hex socket button head

HSFH: hex socket flat head

HSH: hex socket head

HWH: hex washer head

HWHTF: hex washer head thread forming

HYD: hydraulic

LH: left hand

LP: low pressure

LPG: Liquefied Petroleum Gas

NI: nylon insert

NPTF: national pipe thread fine

PFH: phillips flat head

PPH: phillips pan head

PPHTF: phillips pan head thread forming

PRH: phillips round head

PTH: phillips truss head

PTO: power-take-off

RH: right hand

ROPS: roll-over protection system

RRB: rear roller brush

SFH: slotted fillister head

SHH: slotted hex head

SHWH: slotted hex washer head

SPH: slotted pan head

SQH: square head

SRH: slotted round head

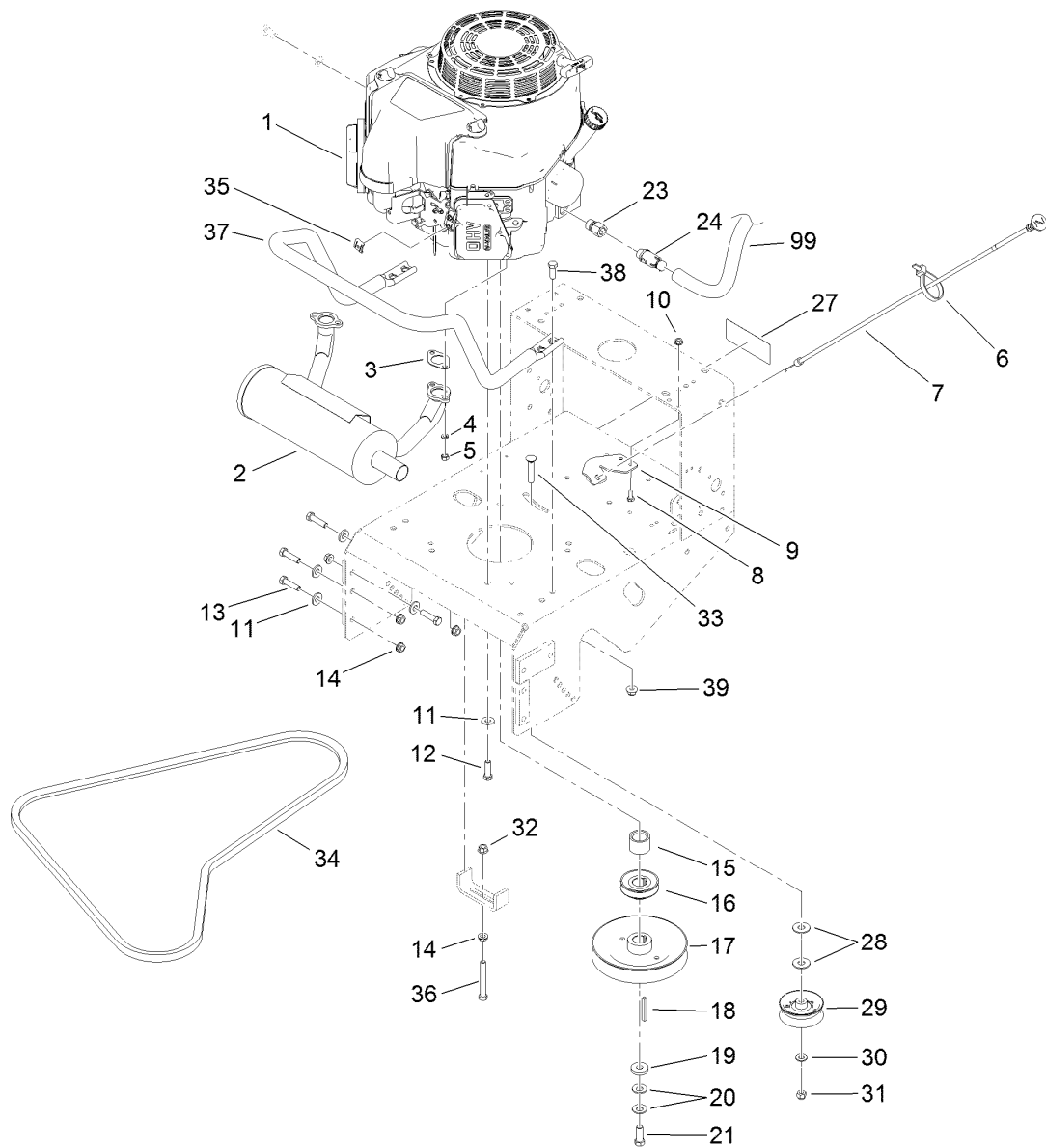
STD: standard

TAP: self tapping

TTH: torx truss head

Contents

Engine and Exhaust Assembly.....	4
Fuel System Assembly	5
Frame and Transmission Assembly	6
Drive Wheel and Brake Assembly	7
Handle and Control Assembly	9
Wire Harness Assembly	10
Deck Assembly	11
Deck Decal Assembly No. 110-4907.....	12
Deflector Assembly No. 119-6530.....	13
Sheave, Spindle and Blade Assembly	14
Idler Assembly	15
Caster Assembly	16
Attachments and Accessories	17

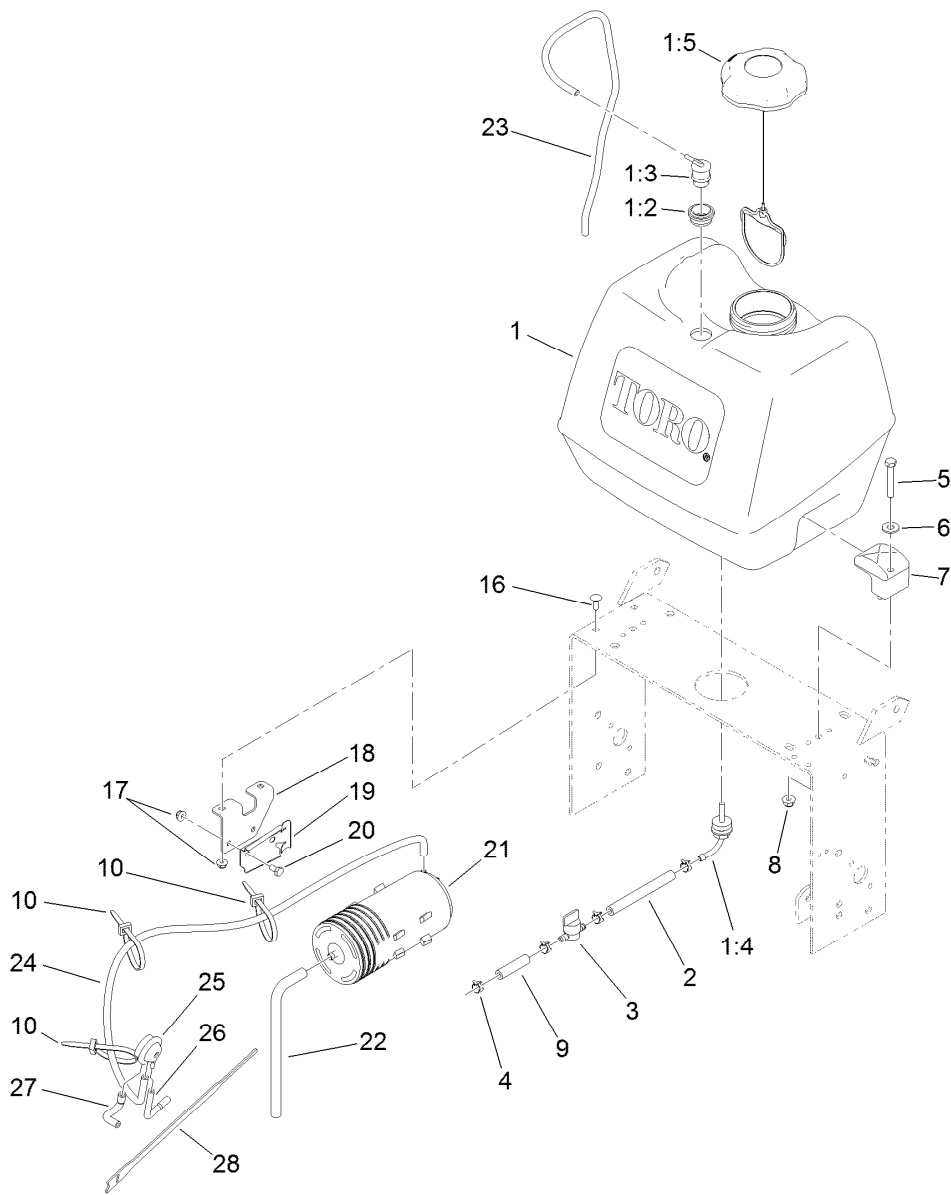


Engine and Exhaust Assembly

Ref.	Part Number	Qty.	Description	Ref.	Part Number	Qty.	Description
1		1	Engine-Kawasaki, Fs481V-As06 ●■	19	1-373034	1	Washer
2	116-3734	1	Muffler-Horizontal, Offset	20	1-603610	2	Washer-Spring
3	1-653313	2	Gasket-Exhaust	21	116-3702	1	Screw-HH
4	114-3550	4	Washer-Lock, Spring	23	103-1966	1	Adapter
5	114-3549	4	Nut	24	120-4321	1	Valve-Drain, Oil
6	1-303287	1	Tie-Cable	27	126-1400	1	Decal-Warning, Sulky
7	103-1796	1	Cable-Choke	28	3256-5	2	Washer-Flat
8	321-3	2	Screw-HH	29	130-8362	1	Pulley-Idler, Flat
9	103-1797-01	1	Bracket-Cable, Choke	30	3256-24	1	Washer-Flat
10	32128-33	2	Nut-HF	31	3296-39	1	Nut-Lock, NI
11	98-5975	12	Washer-Belleville	32	32128-21	1	Nut-HF
12	323-7	4	Screw-HH	33	3231-6	1	Screw-CARR
13	323-8	8	Screw-HH	34	110-4886	1	Belt-V
14	3290-357	9	Nut-HHF, Whiz	35	81-1690	1	Clamp-Cable
15	1-633453	1	Spacer-Clutch	36	323-14	1	Screw-HH
16	103-1666	1	Sheave-Transmission	37	116-6278-03	1	Guard-Muffler
17	110-4891	1	Pulley	38	323-6	4	Screw-HH
18	103-4177	1	Key	39	104-8301	4	Nut-Flange, NI
				99	103-1964	1	Hose-Drain, Oil

● Not serviced separately

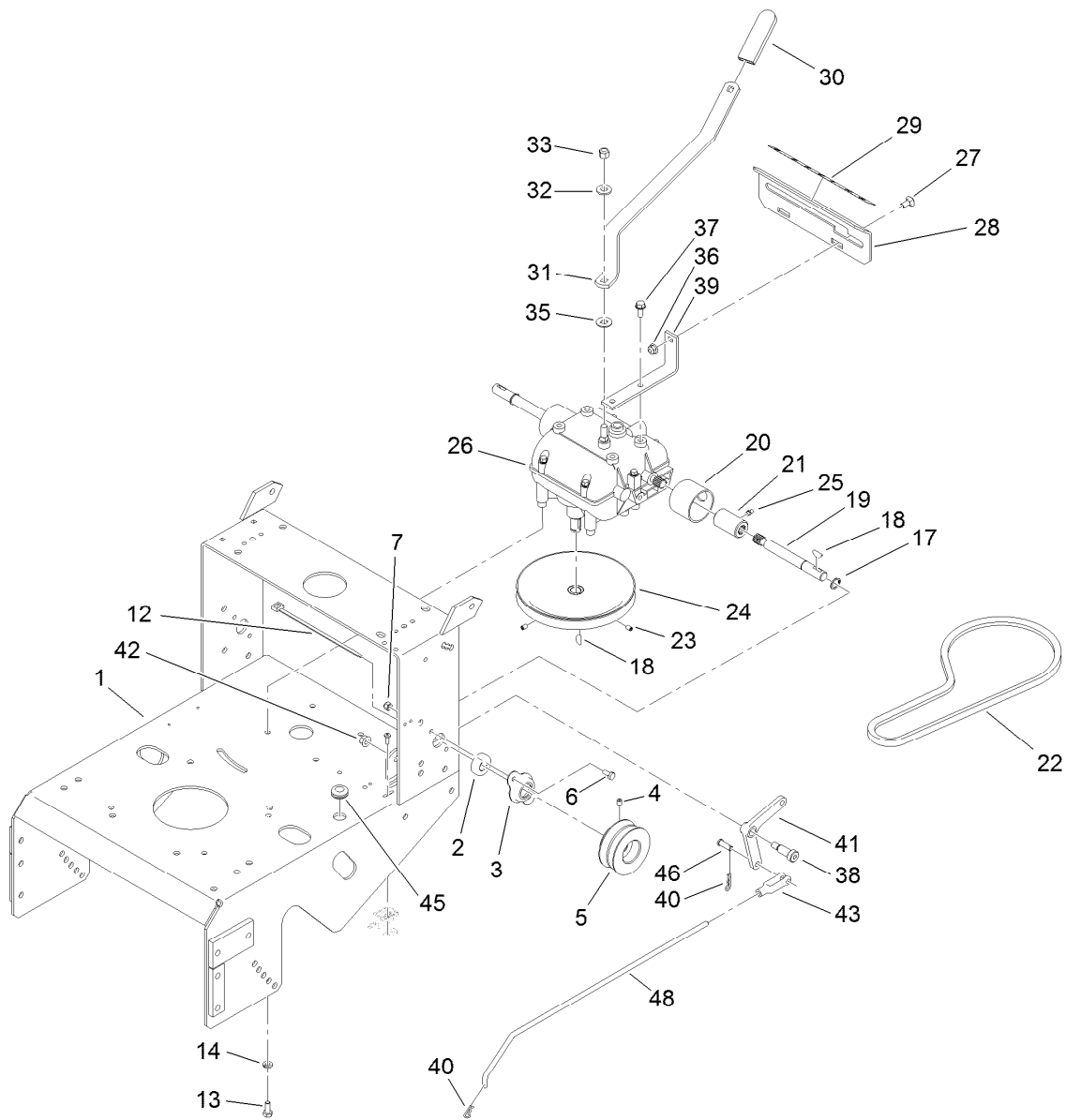
■ Obtain parts from www.kawpowerpc.com



Fuel System Assembly

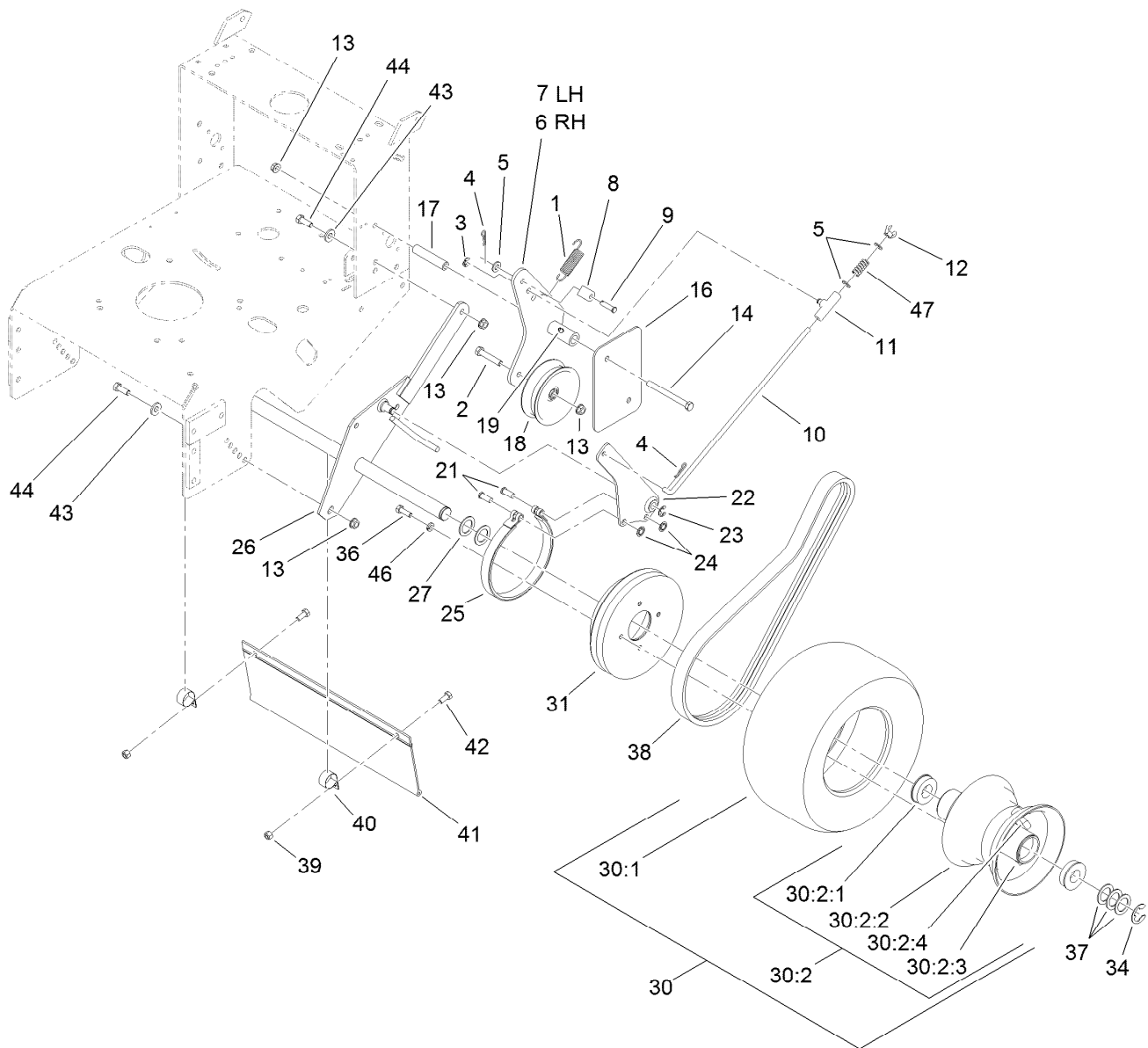
Ref.	Part Number	Qty.	Description
1	126-1526	1	Fuel Tank ASM
1:2	114-0284	1	Grommet
1:3	119-3547	1	Valve-Vent, Fuel
1:4	103-2605	1	Fitting-Fuel, Bulkhead
1:5	120-5461	1	Cap-Fuel, Ratcheting
2	109-0650	1	Hose-Fuel
3	1-603770	1	Valve-Fuel
4	2412-98	4	Clamp-Hose
5	322-10	2	Screw-HH
6	3256-3	2	Washer-Flat
7	107-4543	2	Clamp
8	104-8300	2	Nut-Flange, NI
9	99-9415	1	Hose-Fuel
10	3290-378	3	Tie-Cable

Ref.	Part Number	Qty.	Description
16	3229-1	2	Bolt-CARR
17	104-7201	4	Nut-HF
18	115-4486-01	1	Bracket-Canister, Carbon
19	114-0292	1	Bracket-Canister, Carbon
20	321-2	2	Screw-HH
21	117-1221	1	Canister-Carbon, 800Cc
22	115-0962	1	Hose-Vent, Canister
23	114-0286	1	Hose-Vent
24	116-2231	1	Hose-Vent, Formed
25	116-2232	1	Valve-Control, Vacuum
26	119-8501	1	Hose-Vent, Formed
27	119-8502	1	Hose-Vent, Formed
28	116-2469	1	Strap-Velcro, Cable Tie



Frame and Transmission Assembly

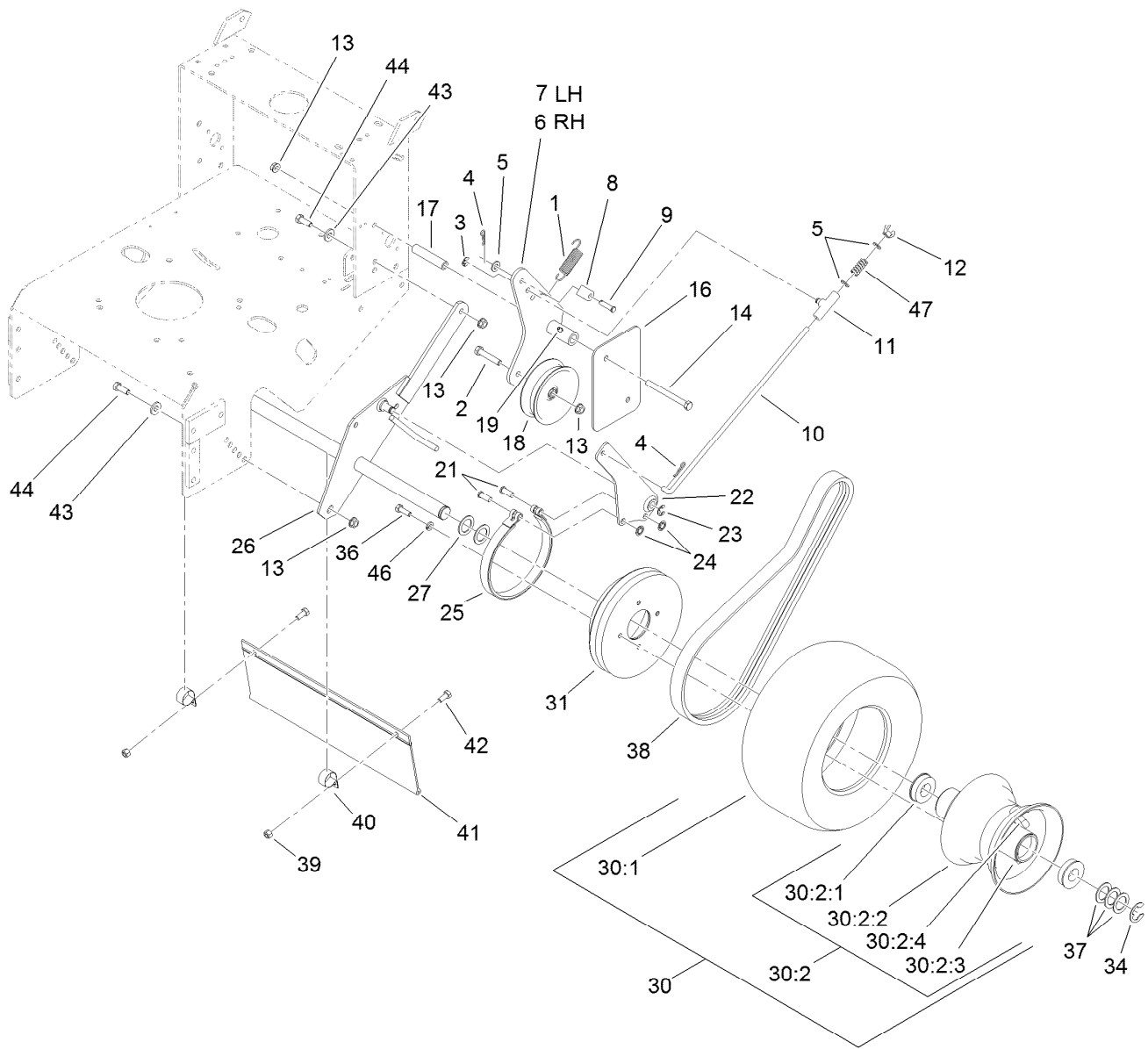
Ref.	Part Number	Qty.	Description	Ref.	Part Number	Qty.	Description
1	116-6084-01	1	Frame-Gear	27	3230-1	2	Bolt-CARR
2	1-323252	2	Bearing-Shaft	28	1-323387-03	1	Plate-Shift
3	1-323254	2	Flange-Output	29	98-3264	1	Decal-Speed, Ground
4	3246-18	2	Setscrew	30	1-303020	1	Grip-Lever
5	103-6511	2	Sheave-Transmission	31	98-3274-03	1	Lever-Shift
6	321-3	4	Screw-HH	32	98-5975	1	Washer-Belleville
7	3296-42	4	Nut-Lock, NI	33	3296-6	1	Nut-Lock
12	1-303287	1	Tie-Cable	35	1-323379	1	Washer
13	322-3	4	Screw-HH	36	104-8300	2	Nut-Flange, NI
14	1-805005	4	Washer-Lock	37	32144-11	4	Screw-HWHTF
17	32151-62	2	Ring-Retaining	38	1-603403	1	Bolt-Shoulder
18	3257-5	3	Key-Woodruff	39	1-323389-03	2	Bracket-Plate, Shift
19	1-323502	2	Shaft-Transmission	40	1-806003	2	Pin-Cotter, Hair
20	51-4220	2	Guard-Coupler	41	1-303186	1	Bellcrank
21	1-323680	2	Coupler	42	3290-357	1	Nut-HHF, Whiz
22	1-323630	1	V-Belt	43	1-303105	1	Yoke-Adjustable
23	3245-41	2	Screw-HSH	45	1-543296	1	Grommet
24	1-323278	1	Sheave-Transmission	46	1-808280	1	Pin-Clevis
25	302-19	2	Fitting-Grease	48	1-323303	1	Arm-Assist, Linkage
26	1-323500	1	Transmission				



Drive Wheel and Brake Assembly

Ref.	Part Number	Qty.	Description	Ref.	Part Number	Qty.	Description
1	98-3273	2	Spring-Extension	21	1-323307	4	Pin-Clevis
2	323-10	2	Screw-HH	22	1-322209-03	2	Arm-Brake
3	32151-47	2	Ring-Retaining	23	32120-47	2	Ring-Retaining, External
4	1-806003	4	Pin-Cotter, Hair	24	1-803051	4	Nut-Push
5	3256-23	4	Washer-Flat	25	1-323595	2	Band-Brake
6	110-4925-03	1	Arm-Idler, RH	26	1-322212-03	1	Axle
7	110-4926-03	1	Arm-Idler, LH	27	1-543436	2	Washer-Spacer
8	74-0521	2	Fitting-Rod	30	130-8363	2	Wheel And Tire ASM
9	283-6	2	Pin-Clevis	30:1	130-8367	1	Tire
10	1-323296	2	Rod-Brake	30:2	130-4565	1	Wheel And Hub ASM
11	110-5866	2	Swivel-Brake	30:2:1	1-323329	2	Bearing-Flanged
12	1-513959	2	Wingnut-Nylock	30:2:2		1	Rim ASM ●
13	3290-357	10	Nut-HHF, Whiz	30:2:3		1	Fitting-Grease ●
14	323-16	4	Screw-HH	30:2:4		1	Stem-Valve ●
16	98-5131-01	2	Shield-Wheel, Drive	31	109-4359	2	Drum And Sheave ASM
17	1-323694	4	Spacer-Shield	34	1-808519	2	Ring-Snap
18	1-323634	2	Idler-Drive, Wheel	36	322-5	8	Screw-HH
19	302-19	2	Fitting-Grease	37	1-523157	6	Washer-Spacer

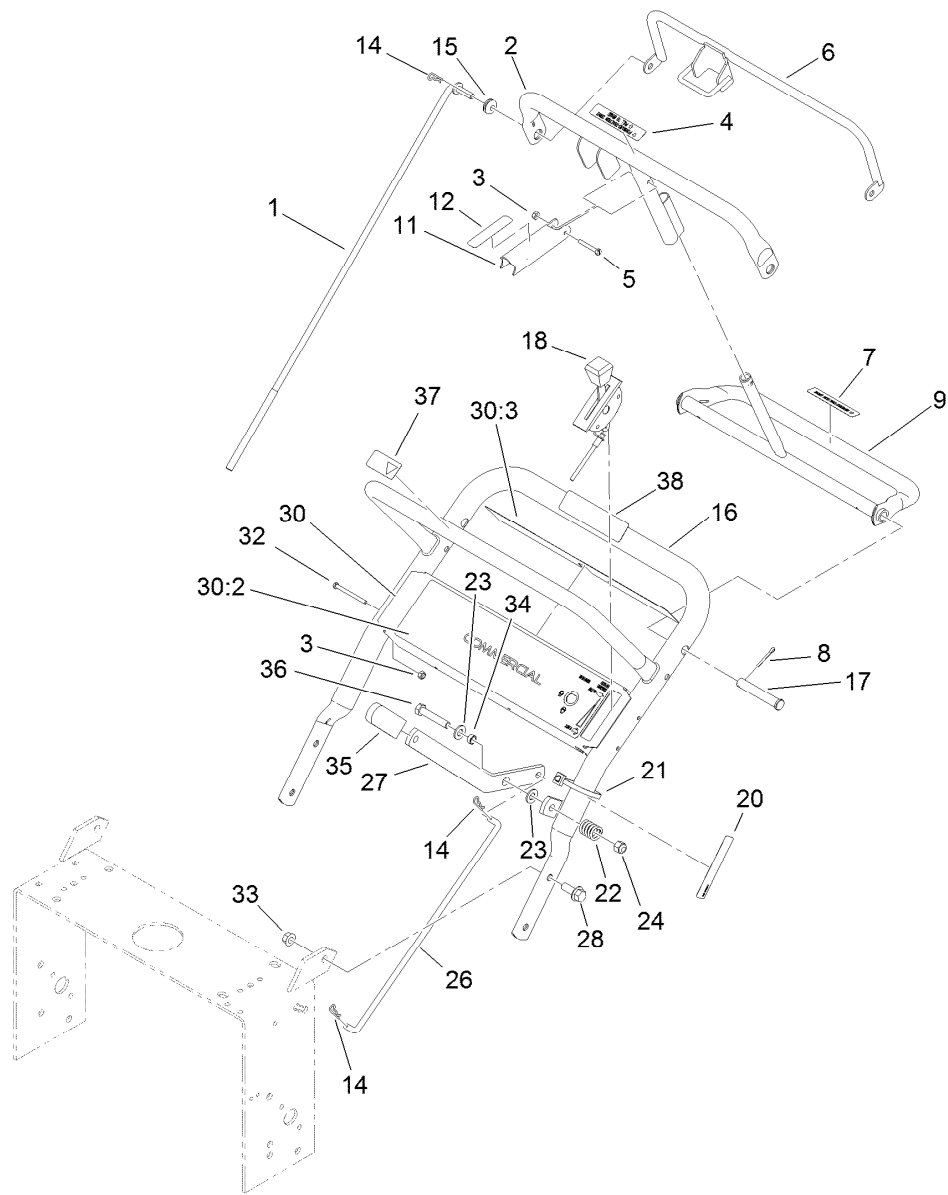
● Not serviced separately



Drive Wheel and Brake Assembly (continued)

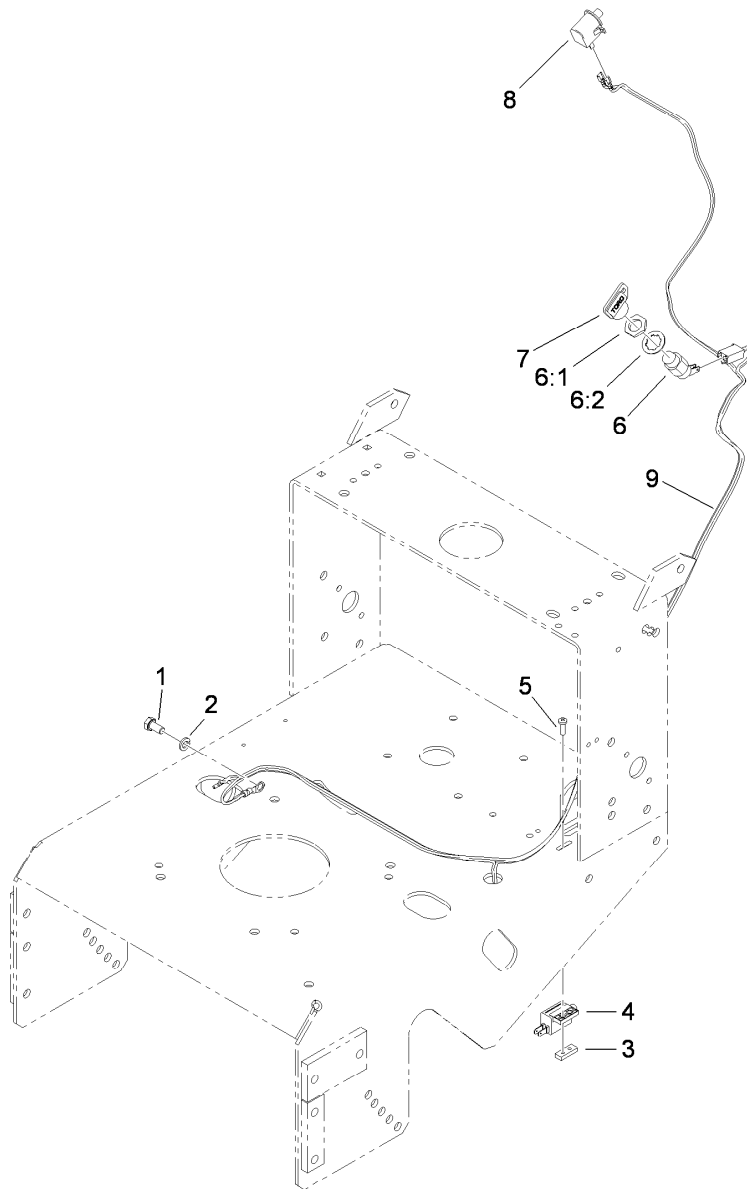
Ref.	Part Number	Qty.	Description	Ref.	Part Number	Qty.	Description
38	1-323631	2	V-Belt	43	98-5975	4	Washer-Belleville
39	3296-29	2	Nut-Lock, NI	44	323-6	4	Screw-HH
40	2412-104	2	Clamp-R	46	1-805005	8	Washer-Lock
41	98-3259	1	Shield-Trailing	47	1-323245	2	Spring-Compression
42	322-3	2	Screw-HH				

● Not serviced separately



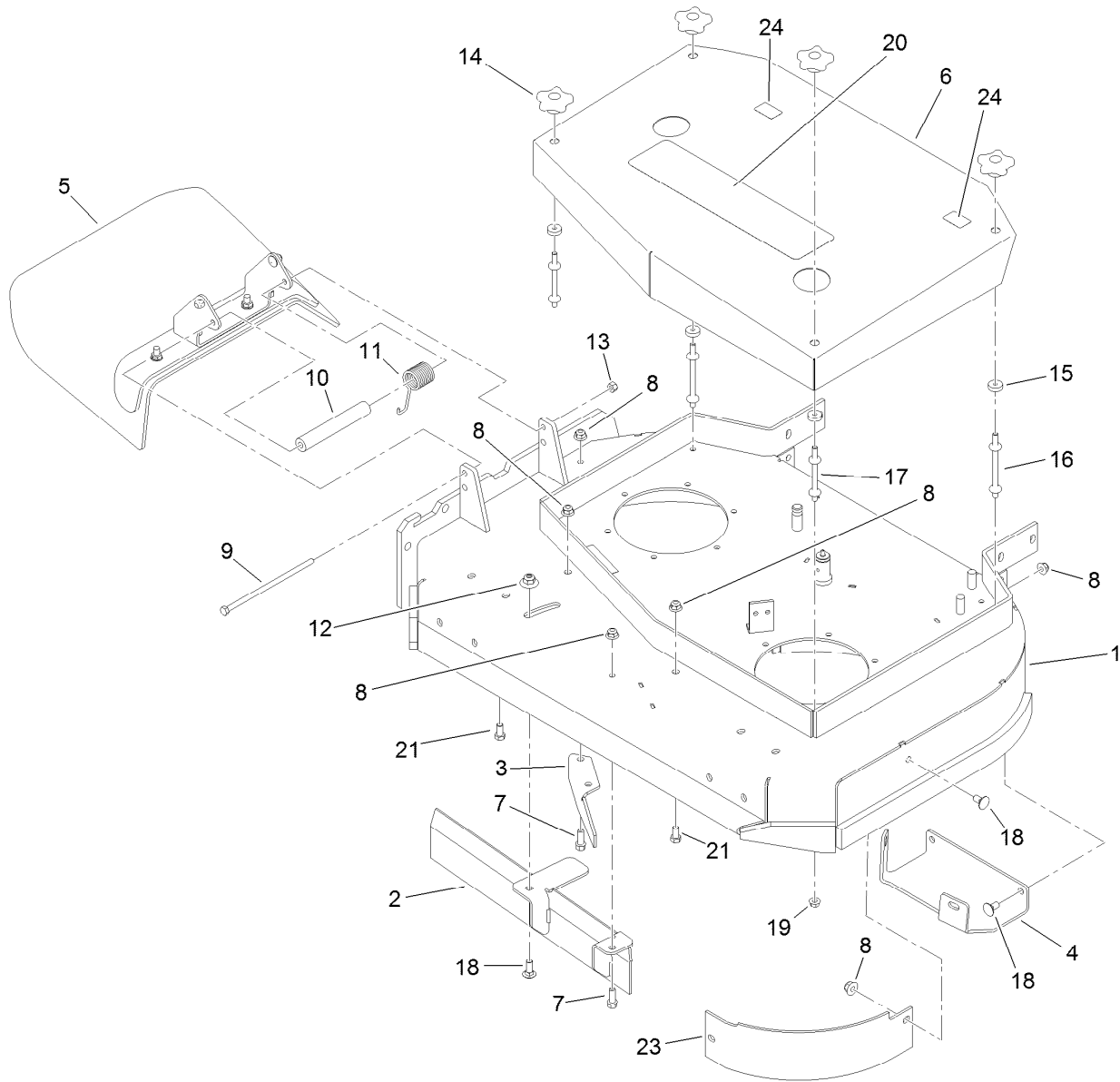
Handle and Control Assembly

Ref.	Part Number	Qty.	Description	Ref.	Part Number	Qty.	Description
1	98-3282	2	Rod-Control	21	1-303335	2	Tie-Plastic
2	95-5522-03	1	Bar-Control	22	1-303160	1	Spring-Compression
3	3296-2	5	Nut-Lock, NI	23	3256-24	2	Washer-Flat
4	93-7298	1	Decal-Bar, Control	24	104-8301	1	Nut-Flange, NI
5	32105-1	1	Screw-SHH	26	98-3279	1	Linkage-Drive, Blade
6	82-7680-03	1	Bail	27	98-3287-03	1	Lever-Engagement, Blade
7	93-7299	1	Decal-Reverse	28	3234-11	4	Screw-HHF
8	3272-11	2	Pin-Cotter	30	110-6905	1	Control Panel ASM
9	106-5477-03	1	Pivot-Control	30:2	130-8374	1	Decal-Panel, Control
11	98-3261-03	1	Lever-Brake, Parking	30:3	106-5519	1	Decal-Danger
12	93-7442	1	Decal-Lever, Parking	32	32105-14	4	Screw-SHH
14	1-806003	3	Pin-Cotter, Hair	33	32128-21	4	Nut-HF
15	237-141	2	Grommet-Rubber	34	99-8509	1	Spacer
16	98-3267-03	1	Handle-Upper	35	1-303020	1	Grip-Lever
17	283-55	2	Pin-Clevis	36	323-10	1	Screw-HH
18	119-6539	1	Cable-Throttle	37	98-4387	1	Decal-Protection, Ear
20	95-5537	1	Decal-Engage, Deck	38	117-2718	1	Decal-Arrester, Spark



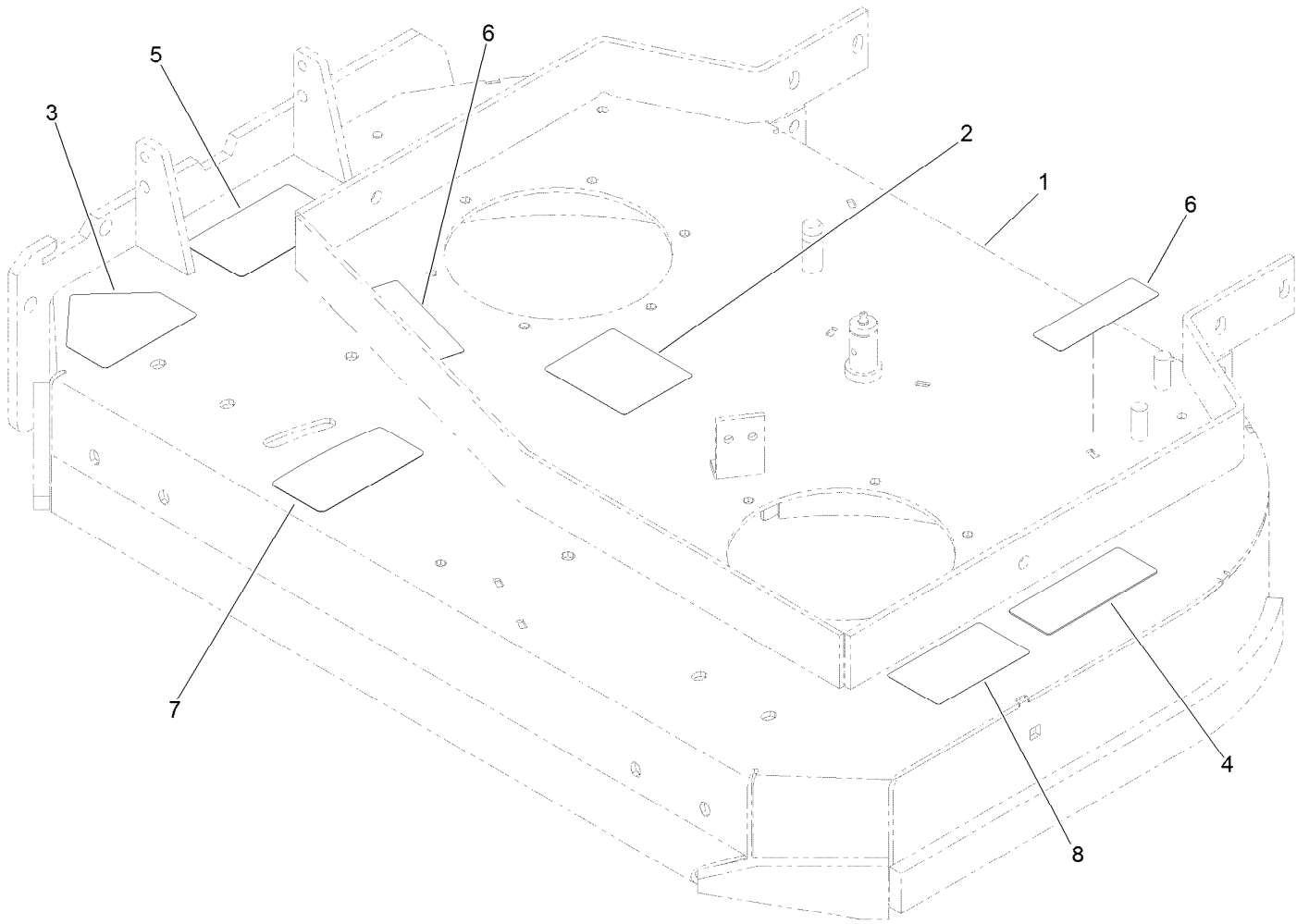
Wire Harness Assembly

<i>Ref.</i>	<i>Part Number</i>	<i>Qty.</i>	<i>Description</i>
1	33114-016	1	Screw-HH
2	3253-4	1	Washer-Lock
3	1-633181	1	Plate-Tapped
4	1-513152	1	Switch-Closed, Normally
5	3290-500	2	Screw-PPH
6	29-5560	1	Switch-On / Off
6:1	218-461	1	Nut-HH
6:2	3254-5	1	Washer-Tooth, Internal
7	63-8360	1	Key-Ignition
8	740275	1	Switch
9	119-6535	1	Harness-Wire



Deck Assembly

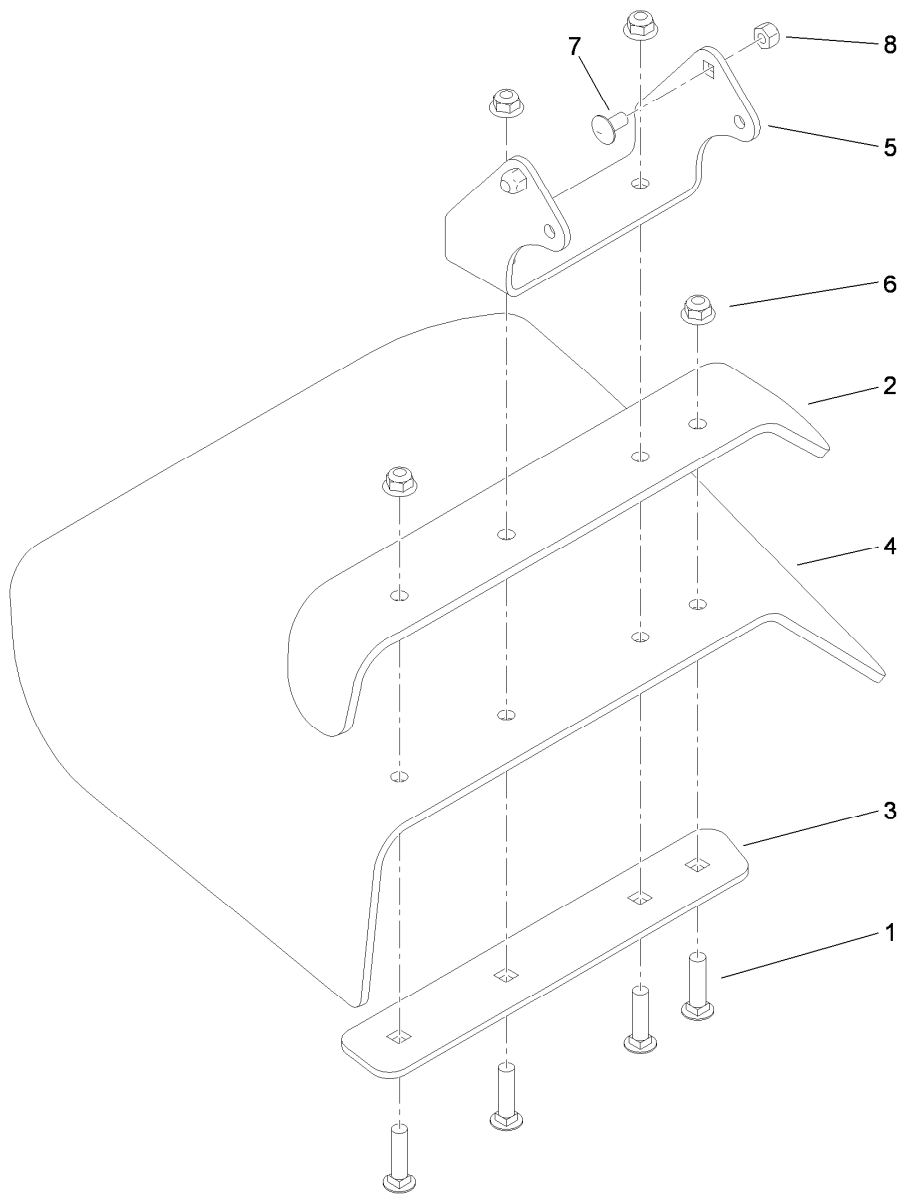
<i>Ref.</i>	<i>Part Number</i>	<i>Qty.</i>	<i>Description</i>	<i>Ref.</i>	<i>Part Number</i>	<i>Qty.</i>	<i>Description</i>
1	110-4907	1	Deck ASM	13	3296-47	1	Nut-Lock, NI
2	121-1777-03	1	Baffle	14	106-4161	4	Knob-Handle
3	110-0754-01	1	Baffle-Discharge	15	1-323417	4	Washer
4	110-2037-01	1	Plate-Skid	16	1-303536	2	Stud-Shield, Belt (Long)
5	119-6530	1	Deflector ASM	17	1-303537	2	Stud-Shield, Belt (Short)
6	110-2036-01	1	Cover-Deck	18	3231-2	6	Bolt-CARR
7	92-1624	3	Screw-HWH	19	32128-20	4	Nut-HF
8	104-8301	10	Nut-Flange, NI	20	112-9710	1	Decal
9	322-50	1	Screw-HH	21	323-4	2	Screw-HH
10	105-4622	1	Spacer	23	110-6903-03	1	Baffle-Front, LH
11	108-4052	1	Spring-Torsion	24	106-5517	2	Decal-Warning, Hot Surface
12	109-6658	1	Nut-Flange, NI				



Deck Decal Assembly No. 110-4907

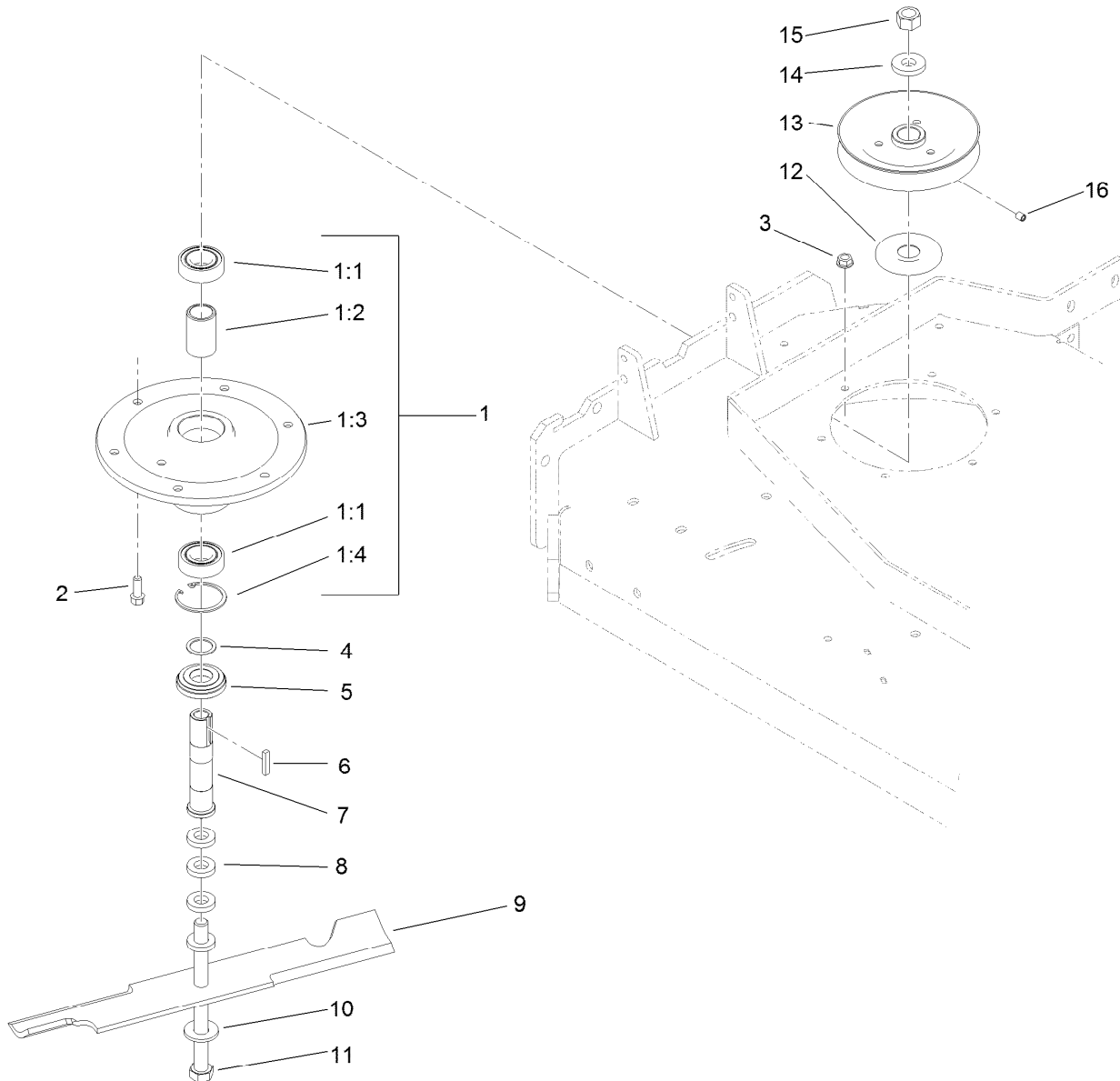
<i>Ref.</i>	<i>Part Number</i>	<i>Qty.</i>	<i>Description</i>
1		1	36 Inch Deck ASM ●
2	98-3296	1	Decal-Routing, Belt
3	112-8760	1	Decal-Danger
4	98-5130	1	Decal-Torque, Bolt
5	121-6049	1	Decal-Danger
6	112-9028	2	Decal-Cover Missing
7	131-1180	1	Decal-Adjustment, Baffle
8	93-7010	1	Decal-Danger

● Not serviced separately



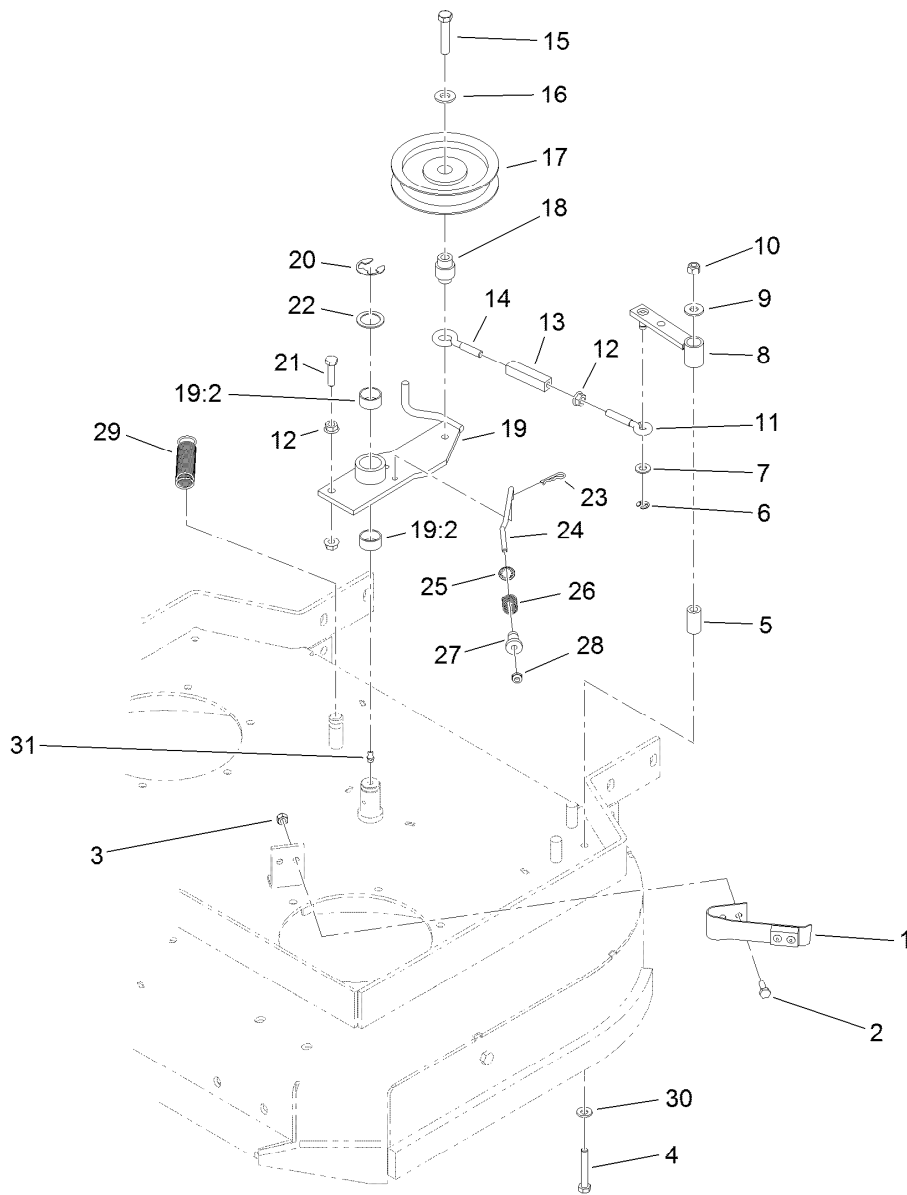
Deflector Assembly No. 119-6530

<i>Ref.</i>	<i>Part Number</i>	<i>Qty.</i>	<i>Description</i>
1	3231-4	4	Screw-CARR
2	110-0792-01	1	Deflector
3	110-0793-03	1	Strap-Discharge
4	110-0791	1	Deflector-Rubber
5	119-6532-01	1	Bracket-Mounting, Deflector
6	104-8301	4	Nut-Flange, NI
7	3230-18	2	Screw-CARR
8	3296-29	2	Nut-Lock, NI



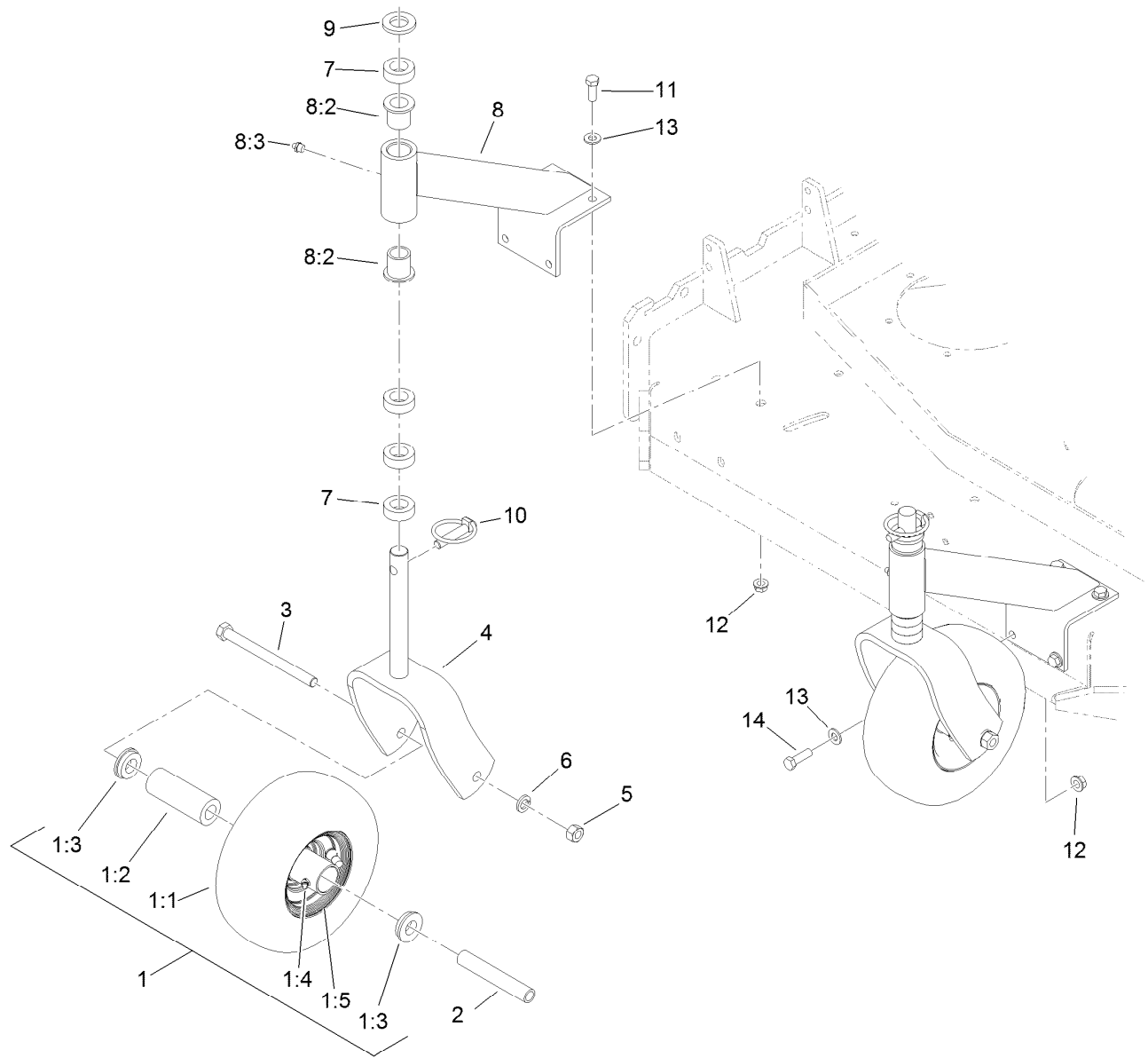
Sheave, Spindle and Blade Assembly

Ref.	Part Number	Qty.	Description	Ref.	Part Number	Qty.	Description
1	108-6697	2	Spindle Housing ASM	7	1-323529	2	Tube-Spindle, Short
1:1	119-7857	2	Bearing-Ball, 1 Inch	8	1-323539	8	Spacer
1:2	110-2116	1	Spacer-Bearing	9	105-7781-03	2	Blade-18In, Hi Flow
1:3	108-6694	1	Housing-Spindle	10	1-513208	2	Washer-Spring
1:4	32120-8	1	Ring-Snap	11	1-800861	2	Screw-Cap, HH
2	92-1624	12	Screw-HWH	12	103-1330	2	Guard-Bearing, Top
3	104-8301	12	Nut-Flange, NI	13	1-403183	2	Sheave
4	110-4888	2	Washer-Spacer	14	1-323339	2	Washer-Retainer, Sheave
5	103-2535	2	Spacer-Guard, Bottom	15	3219-6	2	Nut-Hex
6	1-807267	2	Key	16	3246-18	2	Setscrew



Idler Assembly

<i>Ref.</i>	<i>Part Number</i>	<i>Qty.</i>	<i>Description</i>	<i>Ref.</i>	<i>Part Number</i>	<i>Qty.</i>	<i>Description</i>
1	1-324372	1	Pad And Spring ASM	18	1-303434	1	Bushing-Engagement
2	321-4	2	Screw-HH	19	103-3600	1	Idler Arm ASM
3	3296-42	2	Nut-Lock, NI	19:2	1-323729	2	Sleeve-Bearing
4	322-10	1	Screw-HH	20	32151-103	1	Ring-Retaining, EXT
5	1-403179	1	Tube-Pivot	21	116-3515	1	Screw-HH, Special
6	32120-35	1	Ring-Retaining, EXT	22	1-303352	1	Washer-Spindle
7	3256-23	1	Washer-Flat	23	1-806003	1	Pin-Cotter, Hair
8	1-322235	1	Arm-Assist	24	1-323715	1	Rod-Brake
9	3256-3	1	Washer-Flat	25	1-323748	1	Ring-Push On
10	3296-29	1	Nut-Lock, NI	26	1-323747	1	Spring-Compression
11	1-303238	1	Eyebolt-Thread, RH	27	1-323746	1	Spacer-Flanged
12	32128-20	3	Nut-HF	28	3296-56	1	Nut-Lock, NI
13	1-303236	1	Body-Turnbuckle	29	1-323071	1	Spring-Extension
14	1-303348	1	Eyebolt-Thread, LH	30	1-303334	1	Washer-Spring
15	702809	1	Screw-HH	31	302-40	1	Fitting-Grease, 90 DEG
16	98-5975	1	Washer-Belleville				
17	116-3626	1	Pulley-Idler				



Caster Assembly

Ref.	Part Number	Qty.	Description
1	130-4557	2	Wheel And Tire ASM
1:1		1	Tire ●
1:2	1-513809	1	Bearing
1:3	1-513810	2	Bushing
1:4	302-61	1	Fitting-Grease
1:5		1	Wheel ●
2	1-513547	2	Spacer
3	325-20	2	Screw-HH
4	116-7942-01	2	Fork-Caster
5	3217-9	2	Nut-HH
6	3253-7	2	Washer-Lock

Ref.	Part Number	Qty.	Description
7	1-303314	8	Spacer-Caster
8	110-2130	2	Support ASM
8:2	1-303514	2	Bearing-Flanged
8:3	302-52	1	Fitting-Grease
9	1-513338	2	Washer-Flat
10	1-809020	2	Pin
11	323-6	7	Screw-HH
12	104-8301	8	Nut-Flange, NI
13	3256-24	8	Washer-Flat
14	323-7	1	Screw-HH

● Not serviced separately

Attachments and Accessories

For 39674 Commercial Walk-Behind Mower Fixed Deck, T-Bar, Gear Drive with 36in TURBO FORCE Cutting Unit

Product Name	Model/Part
36in Bagger Enhancement Kit	110-2026
36in Recycler Kit.....	110-2080
Soft Bag (3 Bushel).....	30104
Sulky.....	30109
Weight Kit	110-2085
Operator-Controlled Discharge Chute Kit	115-4190
Spark Plug	92-2153
Oil Filter	119-5852
Element-Filter, Air	120-7447
Oil-Synthetic, All Season	117-0066
Toro 4-cycle Sae 30 Oil (32oz Bottle).....	38903
Blade-Med Flow, 18in	105-7794-03
Blade-Low Flow, 18in.....	105-7795-03
Blade-Atomic, 18in	105-7796-03
Blade-Recycler, 18in.....	105-7779-03
Blade-Hi Flow, 18in (6 Pack).....	108-1117
Blade-Med Flow, 18in (6 Pack)	110-0409
Blade-Lo Flow, 18in (6 Pack)	110-0406
Blade-Atomic, 18in (6 Pack)	108-1118
Blade-Recycler, 18in (6 Pack).....	110-0408

Notes:

Notes:



Count on it.