



**Count on it.**

**Parts Catalog**

**TRX-16 Trencher**

Model No. 22972—Serial No. 315000001 and Up

Model No. 22972G—Serial No. 315000001 and Up



# Ordering Replacement Parts

To order replacement parts, please supply the part number, the quantity, and the description of each part desired.

## Understanding Reference Numbers

Each identified part in an illustration has a reference number. The reference number for a part also appears in the parts list, along with other information about the part.

This catalog uses two special reference number formats, one to indicate parts in a service assembly and another to indicate the quantity of a given part in an illustration.

## Service Assembly Reference Numbers

Parts in service assemblies have reference numbers in the form a:b. The a represents the reference number of the entire service assembly and the b represents a sequential number unique to each part within the service assembly.

For example, a wheel assembly might be identified by reference number 6, the tire by 6:1, the valve by 6:2, and the wheel by 6:3. When you order the assembly identified by reference number 6, you receive all parts identified by reference numbers 6:1, 6:2, and 6:3. However, you may also order any part individually. Reference numbers of this type appear in illustration and in parts lists.

## Reference Numbers Indicating Quantity

In an illustration, if a reference number indicates more than one part, the reference number has the form nX y. The n represents the quantity of the part, the X is the multiplication symbol, and the y represents the reference number.

For example, in an illustration, the reference number 2X 37 means that two of the parts identified by reference number 37 are indicated.

# List of Abbreviations

**AR:** as required

**ASM:** assembly

**BBC:** blade brake control

**BHTF:** button head thread forming

**CARR:** carriage

**CCW:** counter clockwise

**CW:** clockwise

**DEG:** degrees

**DPA:** Dual Point Adjustment

**ECM:** electronic control module

**EXT:** external

**FH:** flat head

**GA:** gauge

**HD:** heavy-duty

**HF:** hex flange

**HH:** hex head

**HHF:** hex head flange

**HHFTF:** hex head flange thread forming

**HJ:** hex jam

**HLH:** hex lag head

**HOC:** height-of-cut

**HP:** high pressure

**HSBH:** hex socket button head

**HSFH:** hex socket flat head

**HSH:** hex socket head

**HWH:** hex washer head

**HWHTF:** hex washer head thread forming

**HYD:** hydraulic

**LH:** left hand

**LP:** low pressure

**LPG:** Liquefied Petroleum Gas

**NI:** nylon insert

**NPTF:** national pipe thread fine

**PFH:** phillips flat head

**PPH:** phillips pan head

**PPHTF:** phillips pan head thread forming

**PRH:** phillips round head

**PTH:** phillips truss head

**PTO:** power-take-off

**RH:** right hand

**ROPS:** roll-over protection system

**RRB:** rear roller brush

**SFH:** slotted fillister head

**SHH:** slotted hex head

**SHWH:** slotted hex washer head

**SPH:** slotted pan head

**SQH:** square head

**SRH:** slotted round head

**STD:** standard

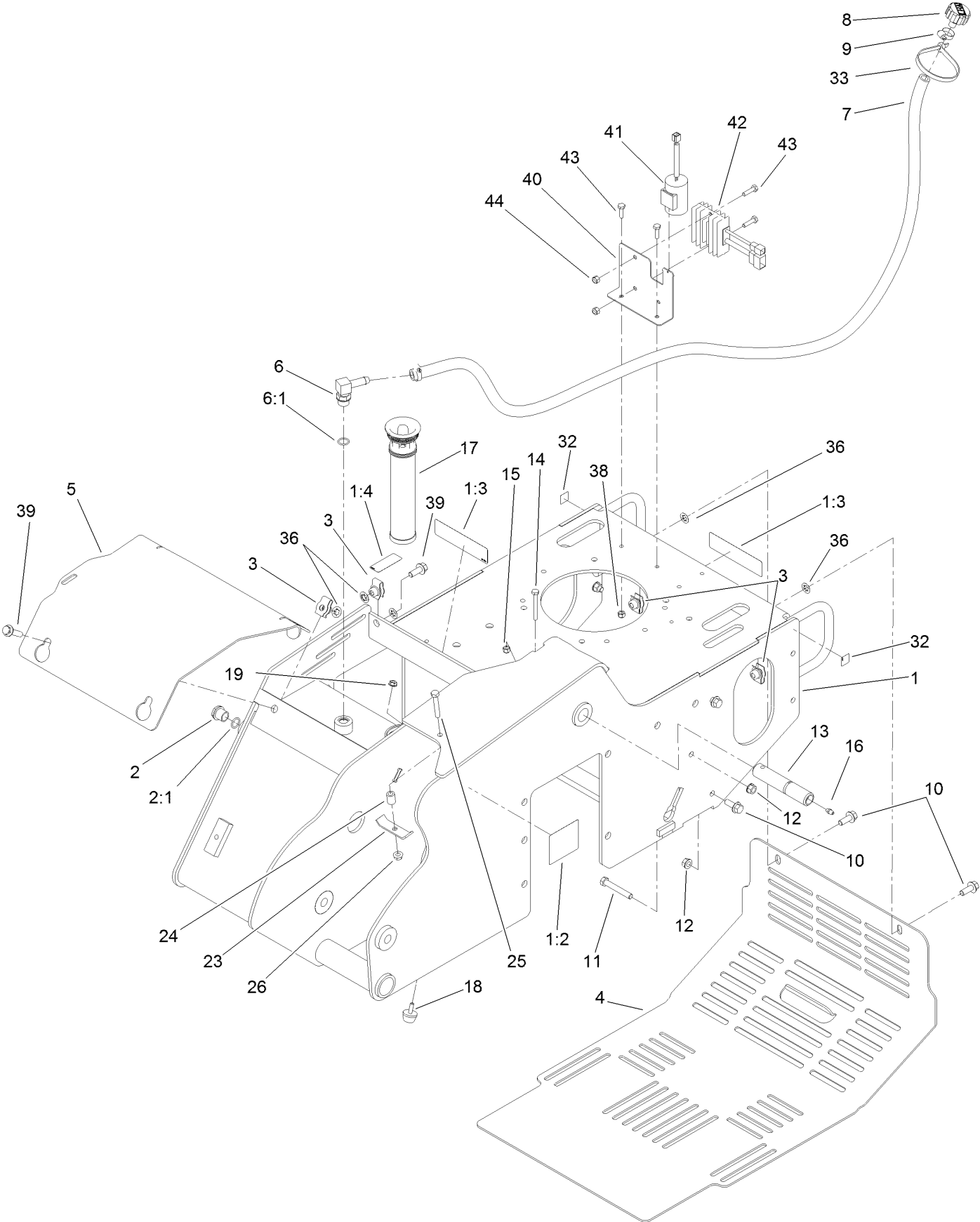
**TAP:** self tapping

**TTH:** torx truss head

# Contents

Main Frame Assembly	4
Track and Drive Assembly	6
Hydraulic Pump Assembly No. 117-6410	8
Hydraulic Pump Assembly No. 117-6409	9
Hydraulic Motor Assembly No. 104-8470	10
Parking Brake Assembly	11
Engine Assembly	12
Gear Pump Assembly No. 114-3072	14
Control Assembly	15
Trencher Assembly	17
Control Tower Assembly	18
Hydraulic Control Assembly	20
2-Spool Valve Assembly No. 115-4062	21
Oil Cooler Assembly	22
Hydraulic Routing Assembly	23
Electrical Assembly	24
Cylinder and Crankcase Assembly	25
Piston and Crankshaft Assembly	26
Valve and Camshaft Assembly	27
Lubrication Equipment Assembly	28
Cooling Equipment Assembly	29
Electric Equipment Assembly	30
Control Equipment Assembly	31
Carburetor Assembly	32
Air Filter and Muffler Assembly	33
Fuel Pump and Filter Assembly	34
Starter Assembly	35
Label Set	36
Attachments and Accessories	37

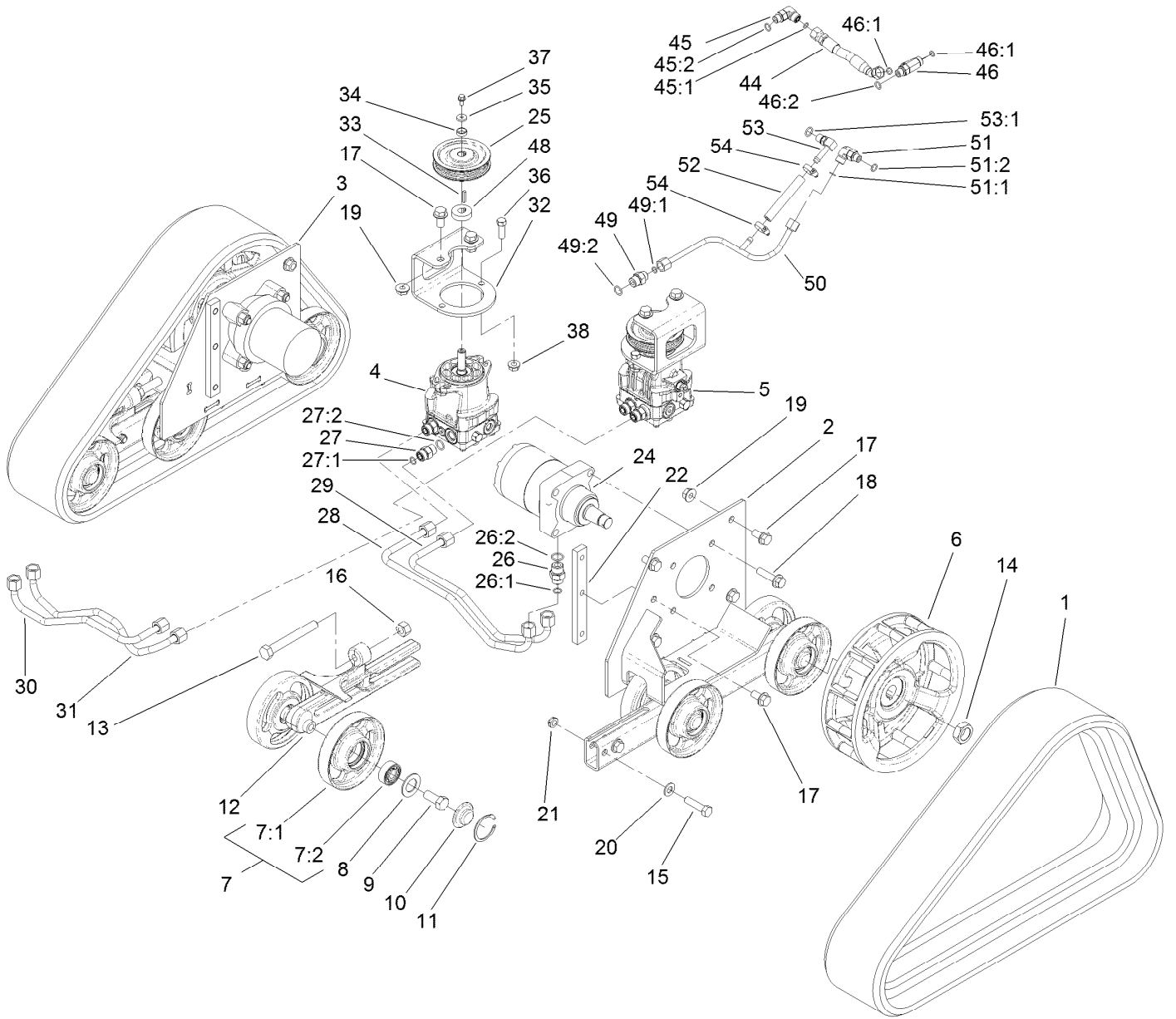
# Main Frame Assembly



## Main Frame Assembly (continued)

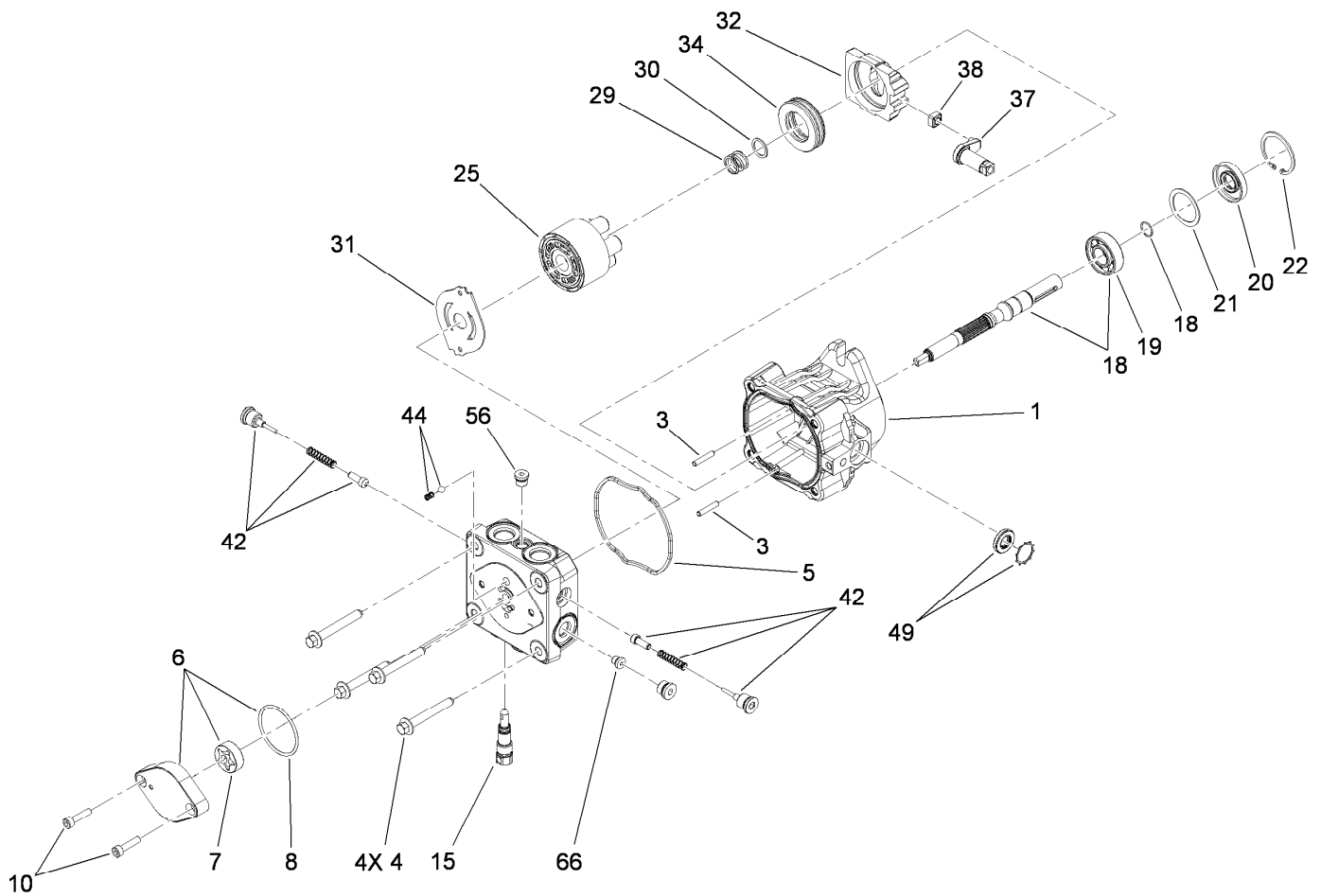
<i>Ref.</i>	<i>Part Number</i>	<i>Qty.</i>	<i>Description</i>	<i>Ref.</i>	<i>Part Number</i>	<i>Qty.</i>	<i>Description</i>
1	127-9602	1	Main Frame ASM	15	3296-42	1	Nut-Lock, NI
1:2	100-4650	1	Decal-Warning	16	302-5	1	Fitting-Grease
1:3	93-7814	2	Decal-Danger	17	114-3039	1	In-Tank Filter ASM
1:4	93-6686	1	Decal-Oil, HYD	18	1-523420	1	Bumper
2	114-3075	1	Sight Glass ASM	19	32128-33	1	Nut-HF
2:1	237-79	1	O-Ring	23	100-4860	1	Bracket-Clamp
3	105-4886	5	Nut-Tinnerman	24	93-5023	1	Spacer
4	115-6503-01	1	Cover-Rear	25	322-10	1	Screw-HH
5	119-4566-03	1	Plate-Cover, Front	26	32128-20	1	Nut-HF
6	354-120	1	Fitting-HYD, 90 DEG	32	93-9084	2	Decal-Point, Lift
6:1	237-79	1	O-Ring	33	3334-945	1	Tie-Cable
7	114-3042	1	Hose-Breather	36	107-3154	5	Nut-Push
8	68-6150	1	Breather	38	3296-42	2	Nut-Lock, NI
9	2412-36	2	Clamp-Hose	39	3234-18	3	Screw-HHF
10	3234-11	2	Screw-HHF	40	117-6399-01	1	Bracket-Electrical
11	323-12	1	Screw-HH	41	117-6397	1	Condenser (F/W Engine)
12	32128-40	2	Nut-Flange	42	117-6398	1	Regulator (F/W Engine)
13	120-7352	1	Pin-Pivot	43	321-6	4	Screw-HH
14	321-18	1	Screw-HH	44	3296-42	2	Nut-Lock, NI

# Track and Drive Assembly



## Track and Drive Assembly (continued)

<i>Ref.</i>	<i>Part Number</i>	<i>Qty.</i>	<i>Description</i>	<i>Ref.</i>	<i>Part Number</i>	<i>Qty.</i>	<i>Description</i>
1	112-4816	2	Track-Rubber	27:2	237-79	1	O-Ring
2	114-2992-03	1	Frame-Track, LH	28	115-1285	1	Tube-HYD
3	114-2993-03	1	Frame-Track, RH	29	115-1286	1	Tube-HYD
4	117-6409	1	RH HYD Pump ASM	30	115-1287	1	Tube-HYD
5	117-6410	1	LH HYD Pump ASM	31	115-1288	1	Tube-HYD
6	117-6426-03	2	Wheel-Drive	32	115-1289-03	2	Bracket-Mount, Pump
7	112-4817	12	Wheel-Tensioner	33	80-6090	2	Key-Pump
7:1	114-3014-03	1	Wheel-Track	34	108-4211	2	Bushing
7:2	120-5378	1	Bearing-Ball	35	73-3580	2	Washer
8	106-7585	12	Gasket-Bogie	36	324-5	4	Screw-HH
9	327-4	12	Screw-HH	37	33103-016	2	Screw-HHF
10	106-7557	12	Cap-Wheel, Bearing	38	32128-42	4	Nut-HF
11	106-7595	12	Ring-Snap, Internal	44	115-1297	1	Hose-HYD
12	114-3077-03	2	Tensioner-Track	45	340-77	1	Fitting-HYD, 90 DEG
13	112-4874	2	Screw-HH, TAP	45:1	237-22	1	O-Ring
14	106-8159	2	Nut-Lock	45:2	237-42	1	O-Ring
15	325-8	4	Screw-HH	46	340-86	1	Fitting-Tee
16	3217-11	2	Nut-Hex	46:1	237-22	2	O-Ring
17	3234-6	10	Screw-HHF	46:2	237-42	1	O-Ring
18	3234-27	8	Screw-HHF	48	115-4002	2	Spacer
19	32128-49	8	Nut-HHF	49	340-3	1	Adapter
20	3256-26	4	Washer-Flat	49:1	237-22	1	O-Ring
21	3296-45	4	Nut-Lock, NI	49:2	237-79	1	O-Ring
22	114-3091	2	Bar-Thread	50	117-1305	1	Tube-HYD
24	104-8470	2	HYD Wheel Motor ASM	51	340-77	1	Fitting-HYD, 90 DEG
25	115-1298	2	Sheave	51:1	237-22	1	O-Ring
26	340-6	4	Fitting-HYD, Straight	51:2	237-42	1	O-Ring
26:1	237-30	1	O-Ring	52	115-4083	1	Hose
26:2	237-80	1	O-Ring	53	100-4887	1	Fitting-Barbed, 90 DEG
27	340-4	4	Fitting-HYD, Straight	53:1	237-42	1	O-Ring
27:1	237-30	1	O-Ring	54	2412-36	2	Clamp-Hose

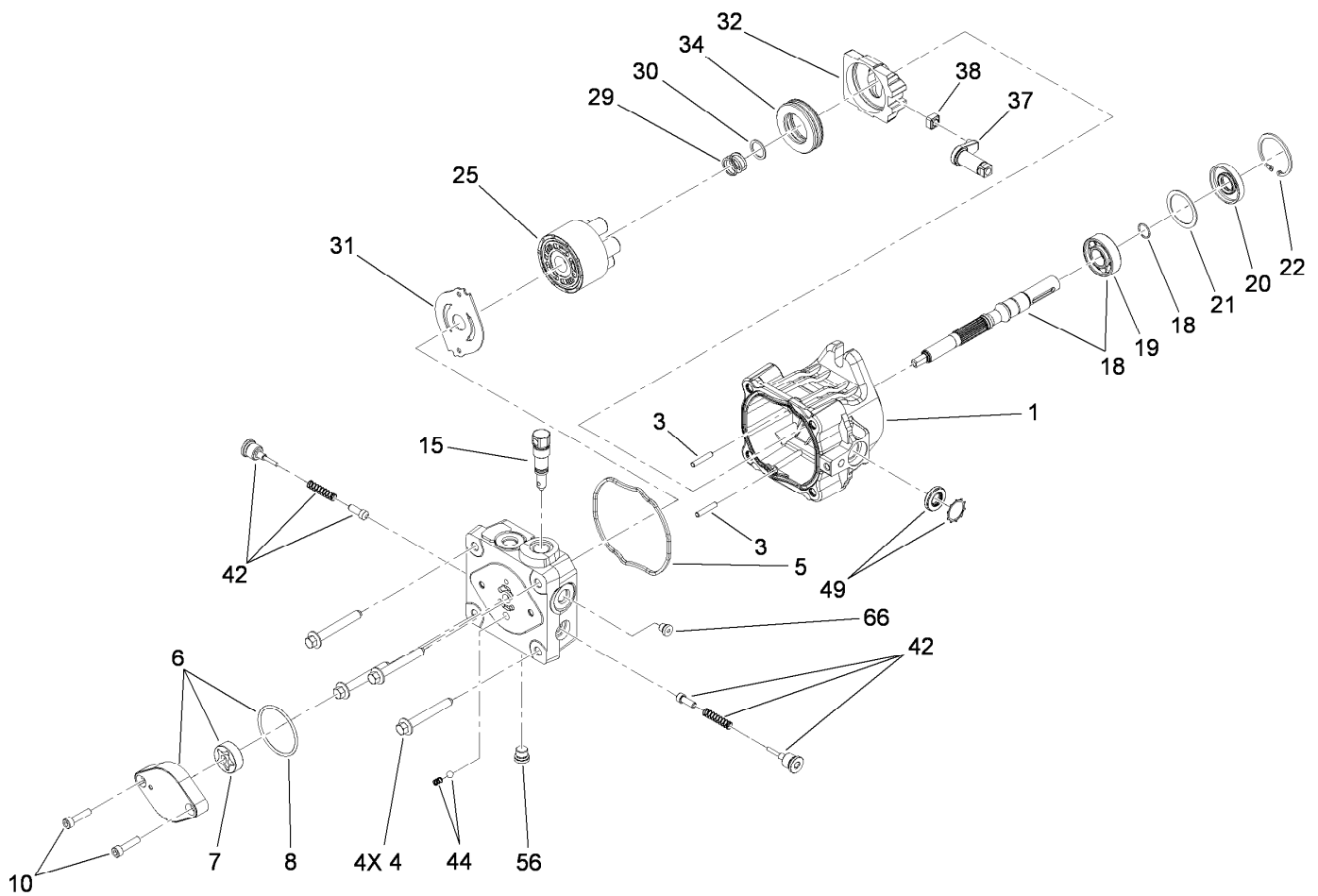


## Hydraulic Pump Assembly No. 117-6410

Ref.	Part Number	Qty.	Description	Ref.	Part Number	Qty.	Description
1	115-4464	1	Housing Kit	29	94-1936	1	Spring-Block
3	106-8753	2	Pin-Headless, Straight	30	94-1937	1	Washer-Thrust
4	106-8754	4	Bolt-HF	31	105-6185	1	Plate-Valve
5	106-8755	1	O-Ring	32	94-1907	1	Swashplate-Variable
6	106-8756	1	Charge Pump Kit	34	94-6922	1	Bearing-Thrust
7	104-2122	1	Gerotor ASM	37	115-4458	1	Arm-Trunnion, Tapered Square
8	106-8757	1	O-Ring	38	94-1910	1	Guide-Slot
10	104-2111	2	Capscrew	42	98-3252	2	Valve-Check (W/Poppet)
15	106-8759	1	Bypass Valve Kit	44	106-8760	1	Charge Relief Valve Kit
18	103-2664	1	Input Shaft Kit	49	114-8155	1	Trunnion Seal Kit
19	104-5311	1	Bearing-Ball	56	106-8762	1	Plug-HSH
20	104-5310	1	Seal-Lip	66	106-8763	1	Plug-HSH
21	104-5308	1	Spacer	99	105-6184	1	Seal Overhaul Kit ●
22	104-5309	1	Ring-Retaining				
25	103-2666	1	Cylinder Block Kit				

● Not illustrated

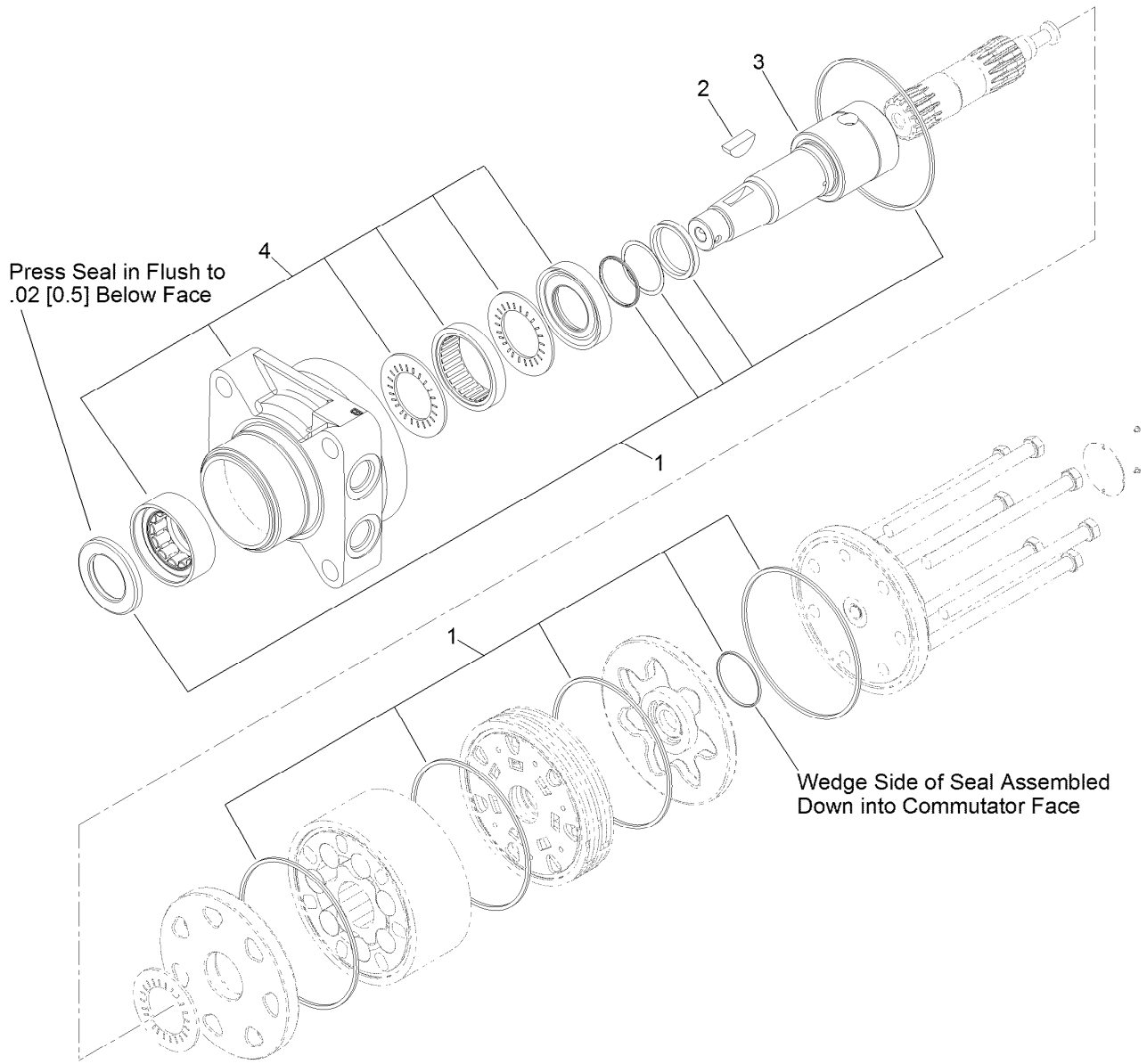




## Hydraulic Pump Assembly No. 117-6409

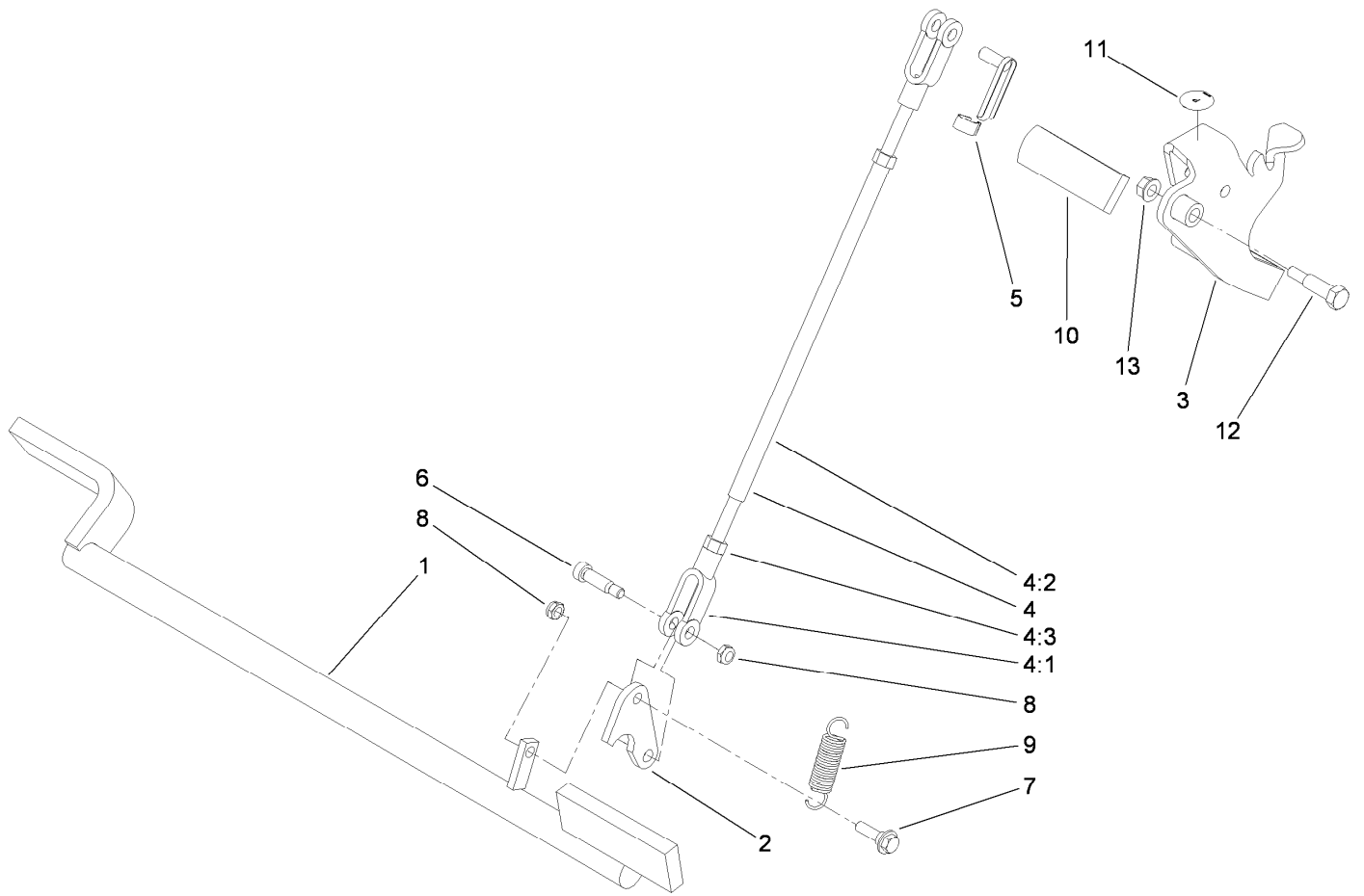
Ref.	Part Number	Qty.	Description	Ref.	Part Number	Qty.	Description
1	115-4464	1	Housing Kit	29	94-1936	1	Spring-Block
3	106-8753	2	Pin-Headless, Straight	30	94-1937	1	Washer-Thrust
4	106-8754	4	Bolt-HF	31	105-6185	1	Plate-Valve
5	106-8755	1	O-Ring	32	94-1907	1	Swashplate-Variable
6	106-8756	1	Charge Pump Kit	34	94-6922	1	Bearing-Thrust
7	104-2122	1	Gerotor ASM	37	115-4458	1	Arm-Trunnion, Tapered Square
8	106-8757	1	O-Ring	38	94-1910	1	Guide-Slot
10	104-2111	2	Capscrew	42	98-3252	2	Valve-Check (W/Poppet)
15	106-8759	1	Bypass Valve Kit	44	106-8760	1	Charge Relief Valve Kit
18	103-2664	1	Input Shaft Kit	49	114-8155	1	Trunnion Seal Kit
19	104-5311	1	Bearing-Ball	56	106-8762	1	Plug-HSH
20	104-5310	1	Seal-Lip	66	106-8763	1	Plug-HSH
21	104-5308	1	Spacer	99	105-6184	1	Seal Overhaul Kit ●
22	104-5309	1	Ring-Retaining				
25	103-2666	1	Cylinder Block Kit				

● Not illustrated



## Hydraulic Motor Assembly No. 104-8470

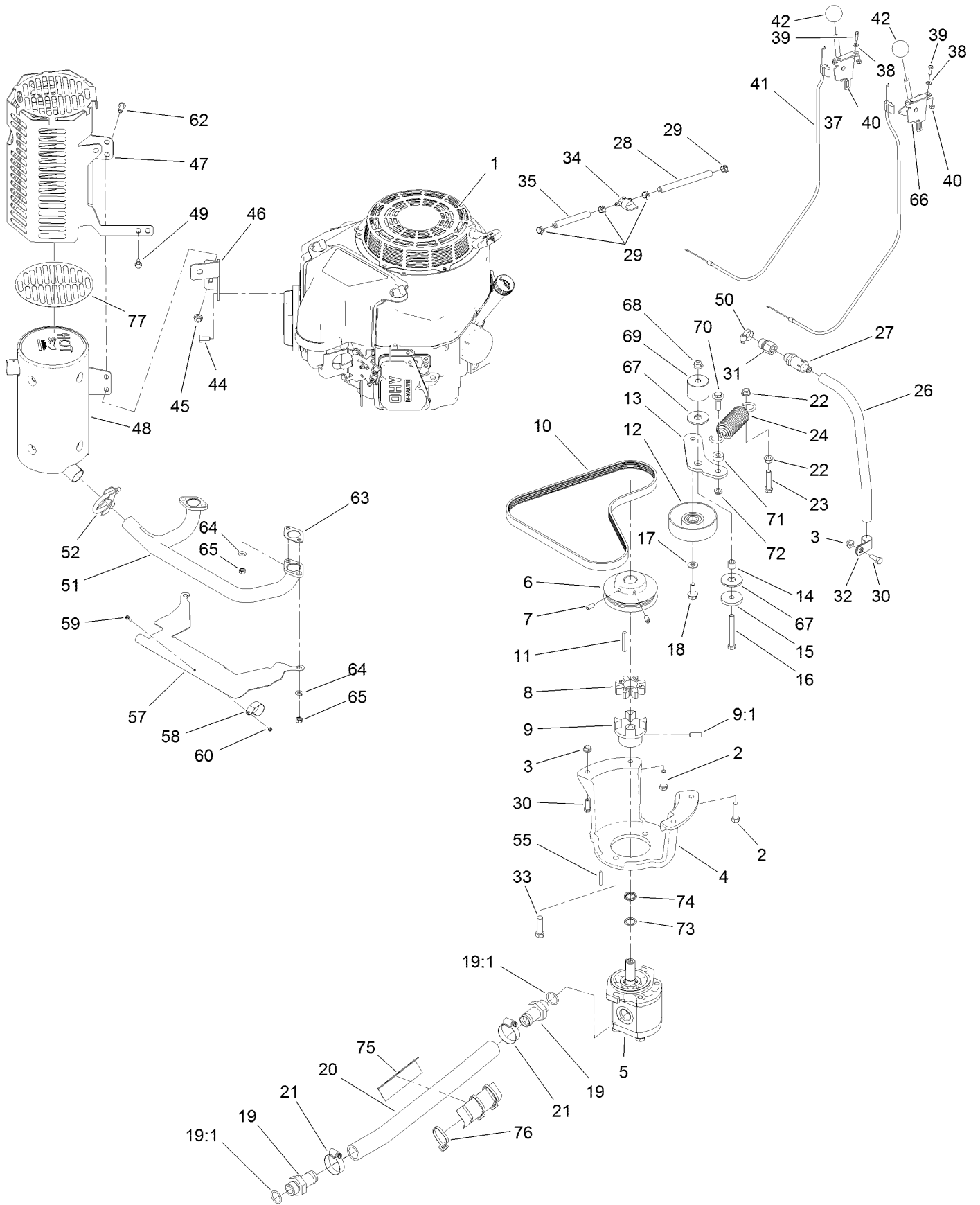
<i>Ref.</i>	<i>Part Number</i>	<i>Qty.</i>	<i>Description</i>
1	115-4061	1	Seal Kit
2	3257-42	1	Key-Woodruff
3	99-3090	1	Shaft-Coupling
4	120-5395	1	Motor Housing ASM



## Parking Brake Assembly

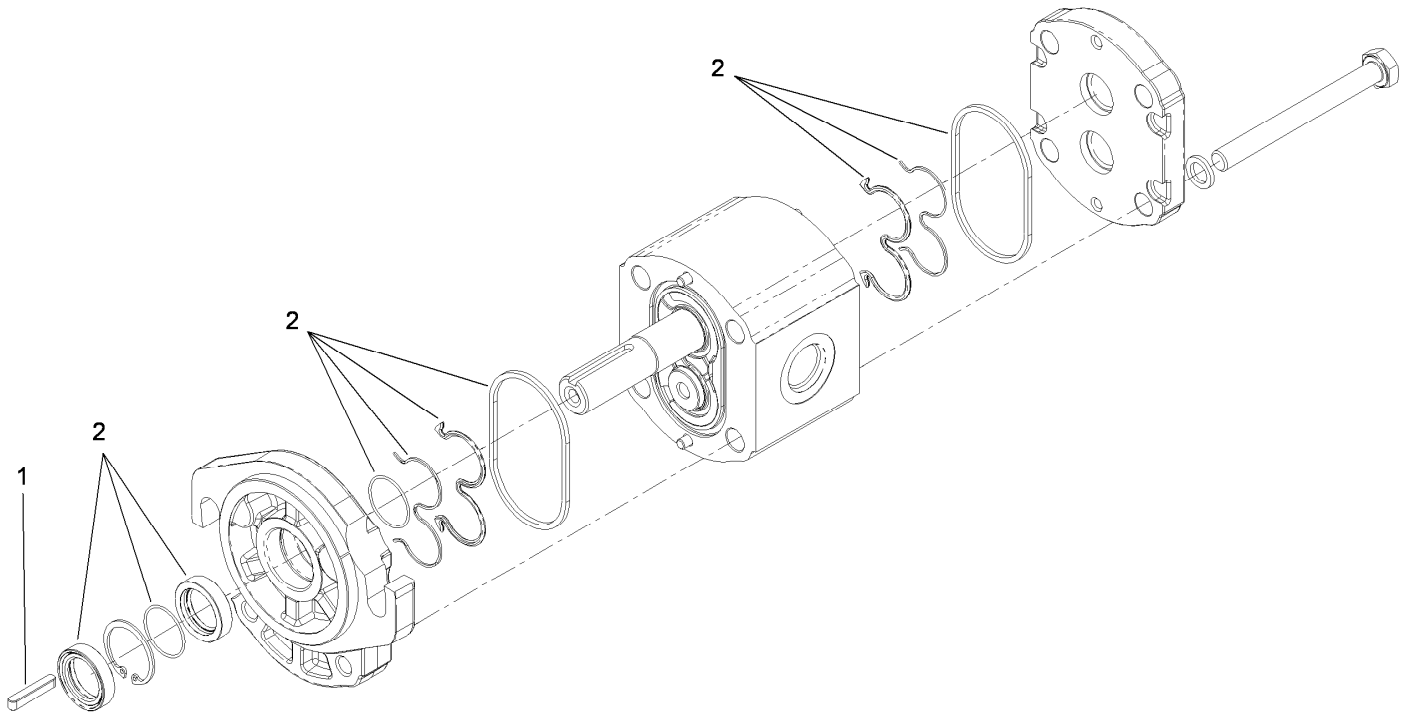
<i>Ref.</i>	<i>Part Number</i>	<i>Qty.</i>	<i>Description</i>	<i>Ref.</i>	<i>Part Number</i>	<i>Qty.</i>	<i>Description</i>
1	114-2972-03	1	Bar-Brake	6	114-8629	1	Bolt-Shoulder
2	114-2975	1	Link-Mounting	7	27-7211	1	Screw-Shoulder
3	117-6421-03	1	Handle-Brake	8	3296-47	2	Nut-Lock, NI
4	103-4335	1	Brake Rod ASM	9	67-1450	1	Spring-Idler
4:1	1-633131	2	Yoke-Linkage, Brake	10	62-9130	1	Grip-Handle
4:2	103-3907	1	Linkage-Handle, Brake	11	107-8495	1	Decal-Parking Brake
4:3	3219-3	2	Nut-Hex	12	7-0030	1	Screw-Shoulder, HH
5	103-2399	1	Pin-Spring, Clevis	13	32128-20	1	Nut-HF

# Engine Assembly



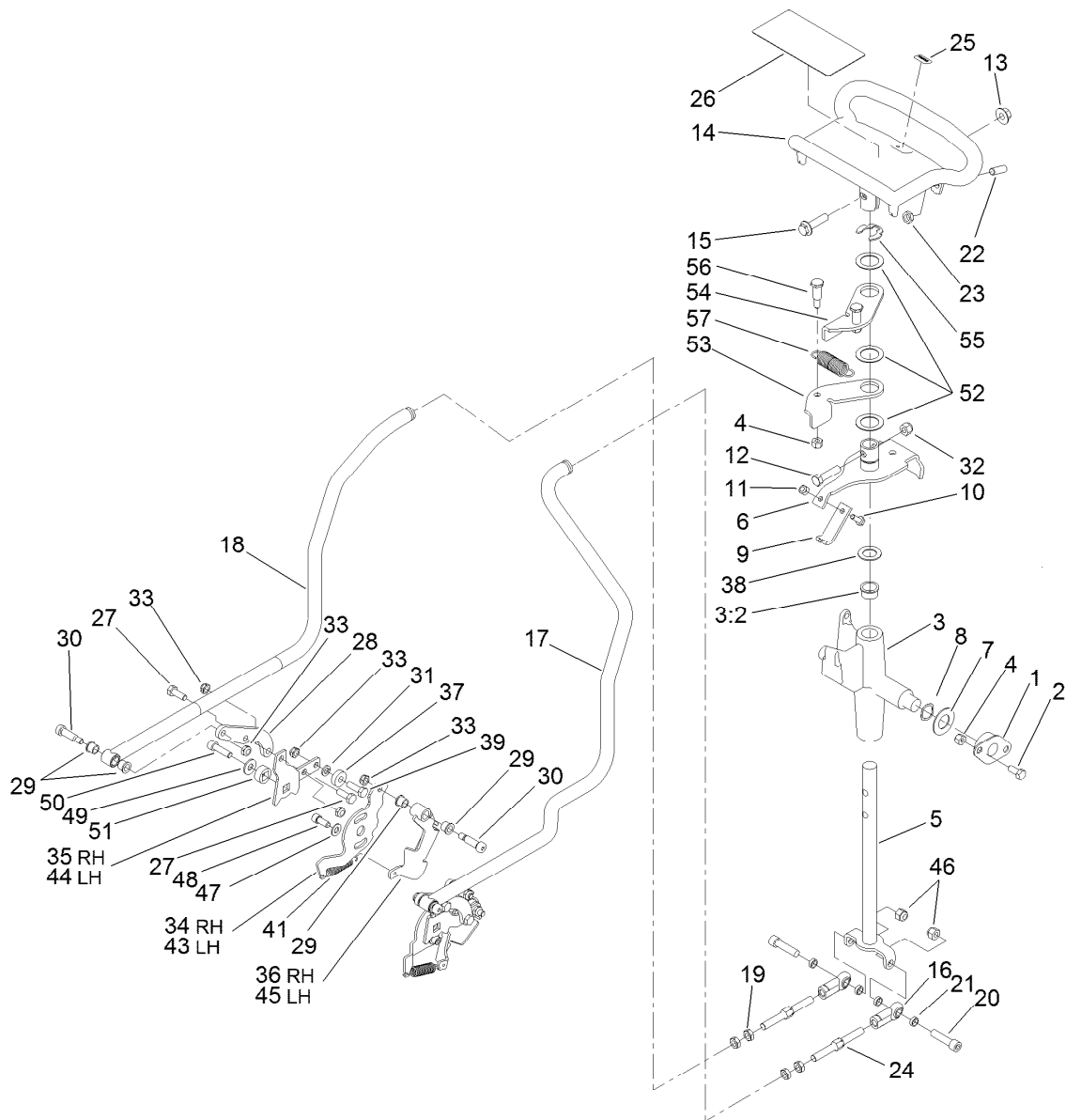
## Engine Assembly (continued)

<i>Ref.</i>	<i>Part Number</i>	<i>Qty.</i>	<i>Description</i>	<i>Ref.</i>	<i>Part Number</i>	<i>Qty.</i>	<i>Description</i>
1	117-6448	1	Engine-Kawasaki, Fs481V	37	108-9730	1	Lever-Control
2	323-8	4	Screw-HH	38	3256-21	4	Washer-Flat
3	32128-20	3	Nut-HF	39	3290-134	4	Screw
4	115-1480-03	1	Mount-Pump	40	3296-2	4	Nut-Lock, NI
5	114-3072	1	Gear Pump ASM	41	115-1211	2	Cable-Control
6	114-8559-03	1	Pulley-Engine	42	233-42	2	Knob
7	3246-6	2	Screw-Set, HSH	44	33114-016	2	Screw-HH
8	93-8827	1	Spider-Coupler	45	112-2844	3	Nut-HF
9	114-2933	1	Coupler-Flex	46	117-6278-03	1	Bracket-Guard, Muffler
9:1	100-7594	1	Screw-Set	47	131-0602-03	1	Guard-Muffler
10	114-2991	1	Belt-V	48	120-7536	1	Muffler
11	608006	1	Key-Square	49	33103-016	1	Screw-HHF
12	95-8802	1	Pulley-Idler	50	2412-36	1	Clamp-Hose
13	125-0252	1	Arm-Idler	51	120-7537	1	Manifold-Muffler
14	1-413088	1	Bushing-Lever, Lift	52	2112-11	1	Clamp-Muffler
15	110-9981	1	Washer-Plain	55	27-8590	1	Key-Square
16	323-14	1	Screw-HH	57	131-0662	1	Plate-Sheld, Heat
17	3256-24	1	Washer-Flat	58	115-6488	1	Clamp
18	3234-11	1	Screw-HHF	59	115-6494	1	Screw-Pan
19	99-3017	2	Fitting	60	115-6495	1	Nut-Hex
19:1	237-81	1	O-Ring	62	33114-020	3	Screw-HH
20	114-2917	1	Hose-Suction	63	1-653313	2	Gasket-Exhaust
21	2412-111	2	Clamp	64	115-6496	4	Washer-Spring
22	3290-357	2	Nut-HHF, Whiz	65	115-6611	4	Nut-Hex
23	323-9	1	Screw-HH	66	110-5547	1	Lever-Control
24	121-4523	1	Spring-Extension	67	114-0463	2	Washer-Friction, Composite
26	106-5709	1	Hose-Vent	68	104-8301	1	Nut-Flange, NI
27	92-6877	1	Valve-Drain, Oil	69	125-0251	1	Spacer-Idler
28	109-0306	1	Hose-Fuel	70	614672	1	Bolt-Shoulder
29	2412-98	4	Clamp-Hose	71	104-8426	1	Spacer
30	322-5	3	Screw-HH	72	3296-59	1	Nut-Lock, NI
31	103-1966	1	Adapter	73	115-7210	1	Washer-Thrust
32	2412-81	1	Clamp-R	74	121-4517	1	Washer-Wave
33	324-6	2	Screw-HH	75	AU112950	2	Protector-Hose, 4 Inch
34	1-603770	1	Valve-Fuel	76	3290-378	3	Tie-Cable
35	109-0295	1	Hose-Fuel	77	131-0604	1	Foil-Guard



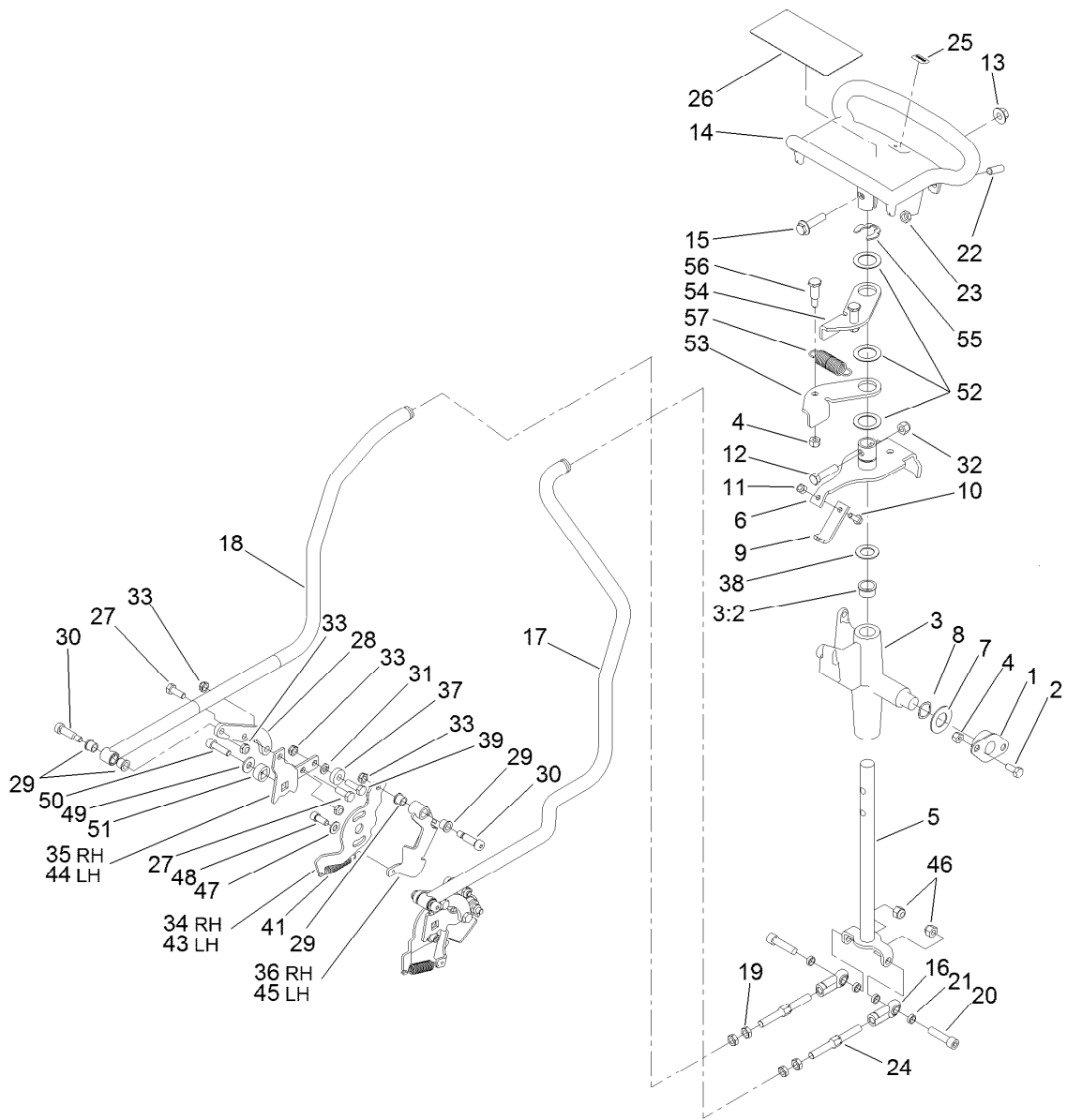
## **Gear Pump Assembly No. 114-3072**

<i>Ref.</i>	<i>Part Number</i>	<i>Qty.</i>	<i>Description</i>
1	104-5839	1	Key-Square
2	115-1265	1	Seal Kit



## Control Assembly

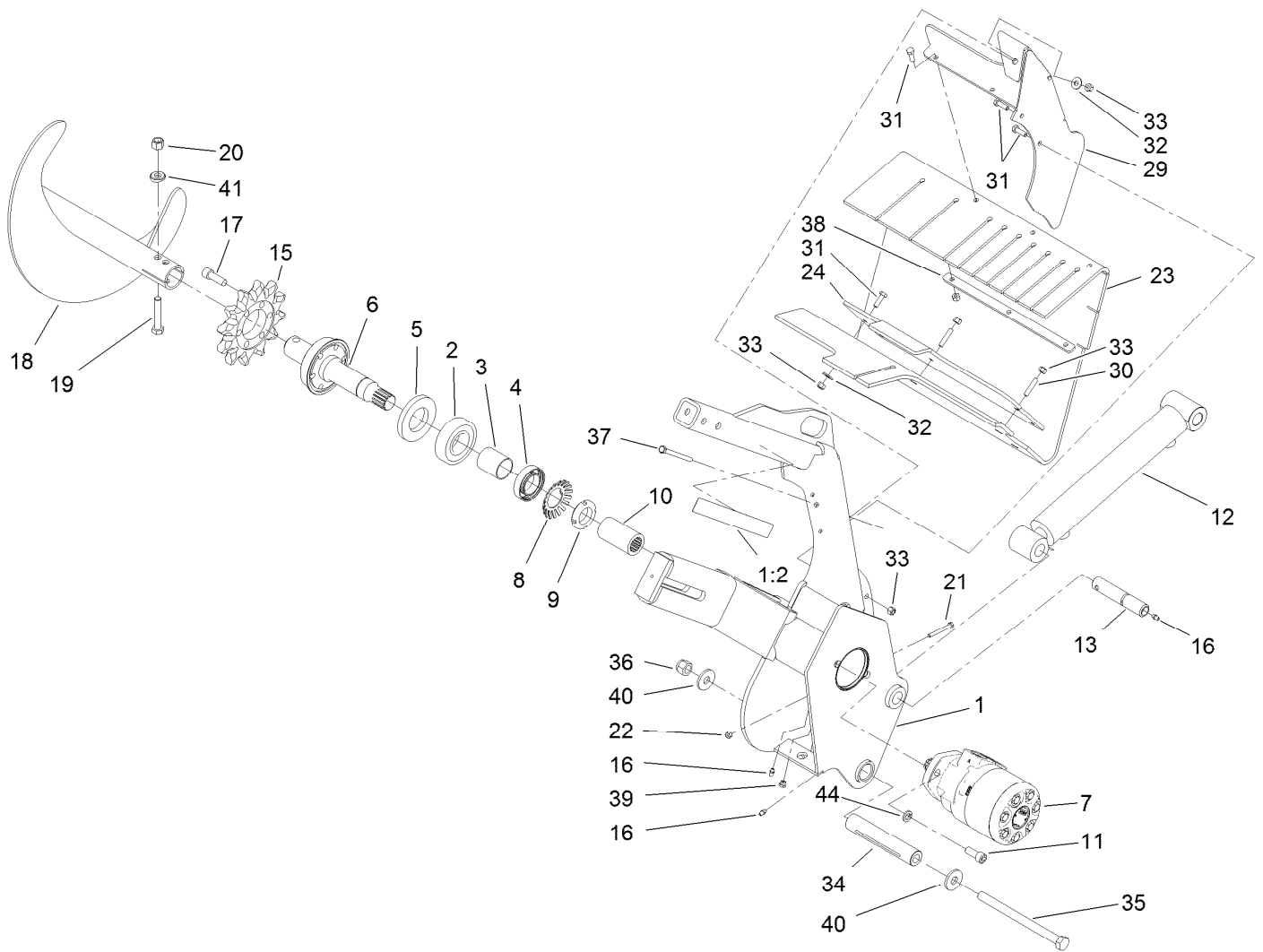
Ref.	Part Number	Qty.	Description	Ref.	Part Number	Qty.	Description
1	27-2320	2	Bearing	21	108-0634	4	Spacer-Plate, Retaining
2	322-3	4	Screw-HH	22	3247-6	2	Screw-Set
3	106-5737	1	Control Support ASM	23	3218-3	2	Nut-Jam
3:2	256-252	2	Bearing-Flange	24	121-4506	2	Link-Control, Adjustment
4	3296-29	6	Nut-Lock, NI	25	98-1459	1	Decal
5	117-6335	1	Rod-Drive	26	115-4020	1	Decal-Traction
6	112-2783	1	Lever-Pivot	27	322-4	4	Screw-HH
7	3256-39	2	Washer-Flat	28	115-1290	2	Plate-Adapter, Control, RH
8	95-3703	2	Washer-Spring, Wave	29	256-116	8	Bushing-Flange
9	115-1204	1	Plate-Neutral	30	114-8629	4	Bolt-Shoulder
10	321-4	1	Screw-HH	31	3253-4	2	Washer-Lock
11	3296-42	1	Nut-Lock, NI	32	3296-39	1	Nut-Lock, NI
12	323-8	1	Screw-HH	33	3296-47	10	Nut-Lock, NI
13	32128-43	1	Nut-Flange	34	115-6535	1	Plate-Base, RH
14	120-5380-03	1	Handle-Control	35	115-6536	1	Plate-Arm, Return
15	3234-18	1	Screw-HHF	36	115-6636	1	Pivot-RH
16	103-1167	2	Joint-Ball End, LH	37	251-259	2	Bearing-Ball
17	121-4508	1	Rod-Control, LH	38	257-8	1	Washer-Thrust
18	121-4509	1	Rod-Control, RH	39	322-5	2	Screw-HH
19	3220-3	4	Nut-HJ	41	121-4409	2	Spring-Extension
20	3274-2	2	Screw-HSH	43	115-6549	1	Plate-Base, LH



## Control Assembly (continued)

<i>Ref.</i>	<i>Part Number</i>	<i>Qty.</i>	<i>Description</i>	<i>Ref.</i>	<i>Part Number</i>	<i>Qty.</i>	<i>Description</i>
44	115-6628	1	Plate-Arm, Return, LH	51	117-6429	2	Lock-Trunion
45	115-6637	1	Pivot-LH	52	108-9743	3	Washer-Plain
46	3296-39	2	Nut-Lock, NI	53	98-8407	1	Lever-Return, RH
47	3290-456	2	Washer-Belleville	54	98-8408	1	Lever-Return, LH
48	3273-14	2	Screw-HSH	55	32151-91	1	Ring-Retaining
49	3256-3	2	Washer-Flat	56	63-2650	2	Screw-Shoulder
50	94-3559	2	Screw-HSH	57	108-4724	1	Spring-Extension

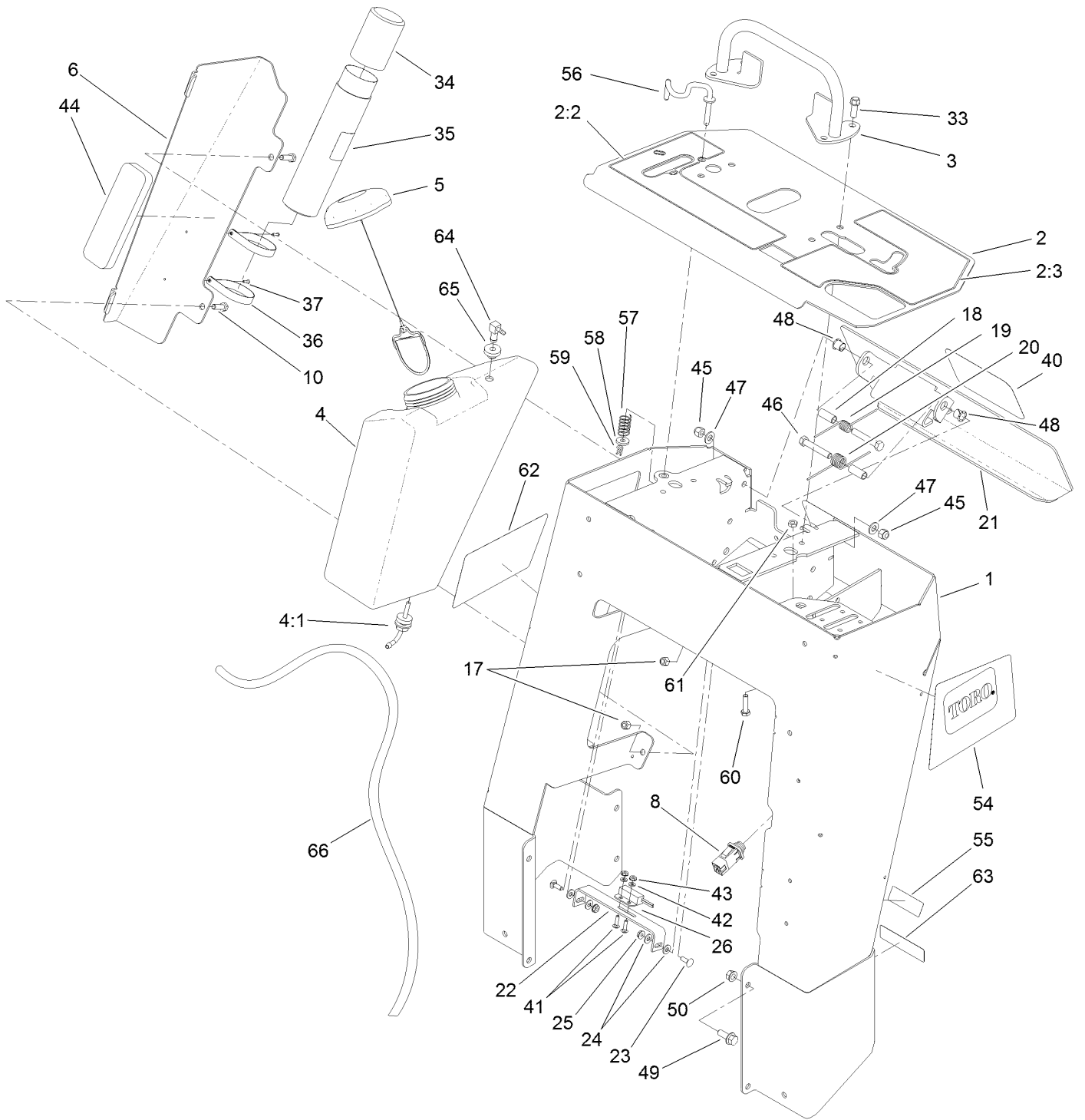




## Trencher Assembly

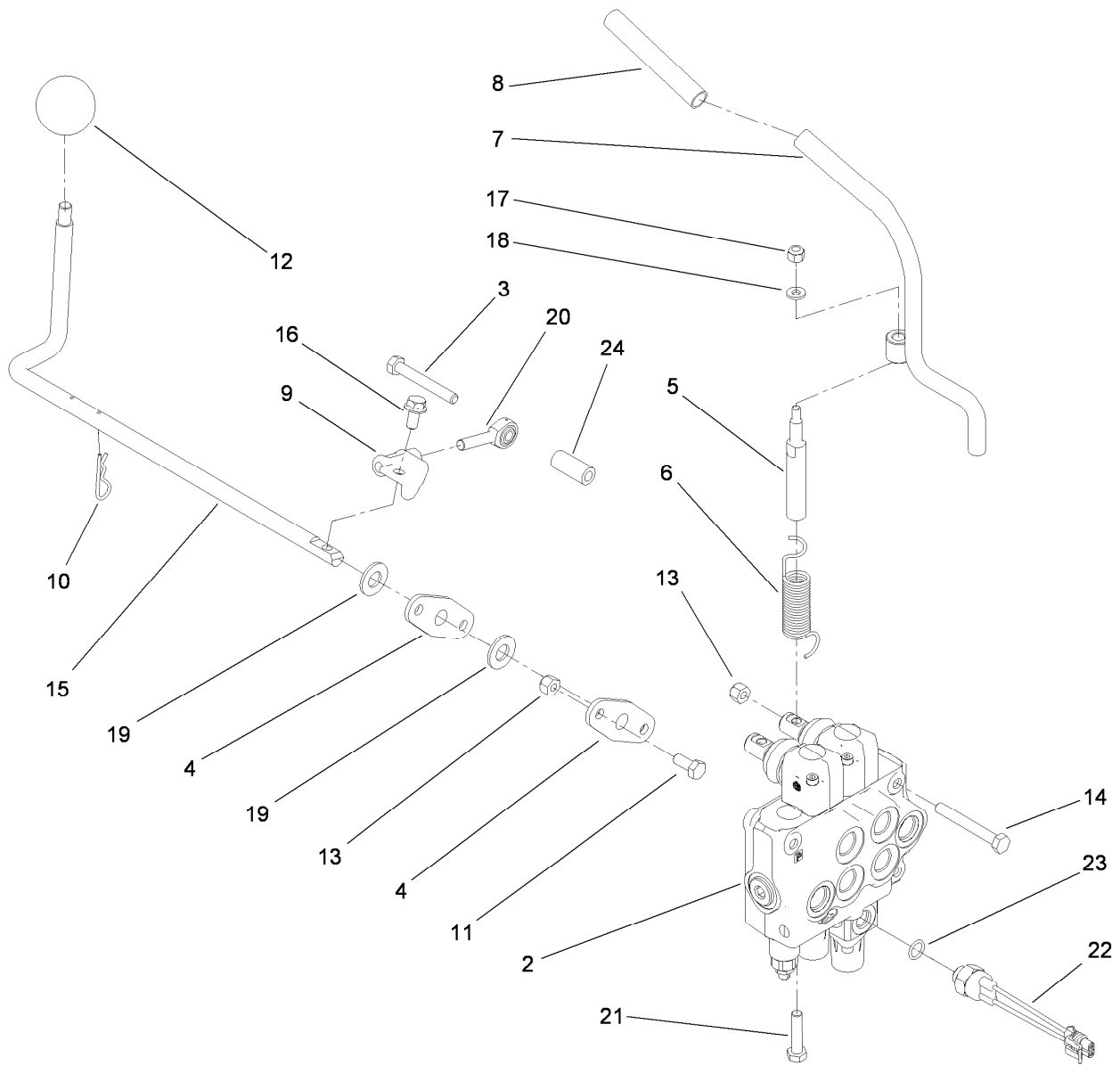
Ref.	Part Number	Qty.	Description	Ref.	Part Number	Qty.	Description
1	117-6423	1	Trencher Head ASM	20	3296-23	1	Nut-Lock, NI
1:2	99-9952	2	Decal-Danger	21	321-18	1	Screw-HH
2	106-8871	1	Bearing-Ball	22	3296-42	1	Nut-Lock, NI
3	112-4979	1	Spacer	23	117-6317	1	Shield-Dirt
4	111199	1	Bearing-Ball	24	117-6316-03	1	Bar-Clamp
5	114-2955	1	Seal-Grease	29	115-1279-03	1	Bracket-Shield
6	117-6308	1	Shaft-Trencher	30	115-4049	2	Screw-HSH
7	131-0652	1	HYD Motor ASM	31	322-5	8	Screw-HH
8	114-2956	1	Lockwasher-Bearing	32	3256-3	4	Washer-Flat
9	88-1450	1	Locknut-Bearing	33	3296-29	11	Nut-Lock, NI
10	117-6315	1	Collar-Splined	34	121-4571	1	Spacer-Pivot
11	3274-4	2	Screw-HSH	35	117-6327	1	Bolt-HH
12	121-1955	1	HYD Cylinder ASM	36	3296-53	1	Nut-Lock, NI
13	120-7352	1	Pin-Pivot	37	322-23	1	Screw-HH
15	104-1964	1	Sprocket-Trencher	38	115-4001-03	1	Plate-Strap, Shield
16	302-5	3	Fitting-Grease	39	302-34	1	Fitting-Lube
17	3274-4	6	Screw-HSH	40	104-9216	2	Washer-Hardened
18	117-8852-03	1	Auger-Trencher	41	117-3479	2	Washer-Saddle
19	325-13	1	Screw-HH	44	3253-7	2	Washer-Lock

# Control Tower Assembly



## Control Tower Assembly (continued)

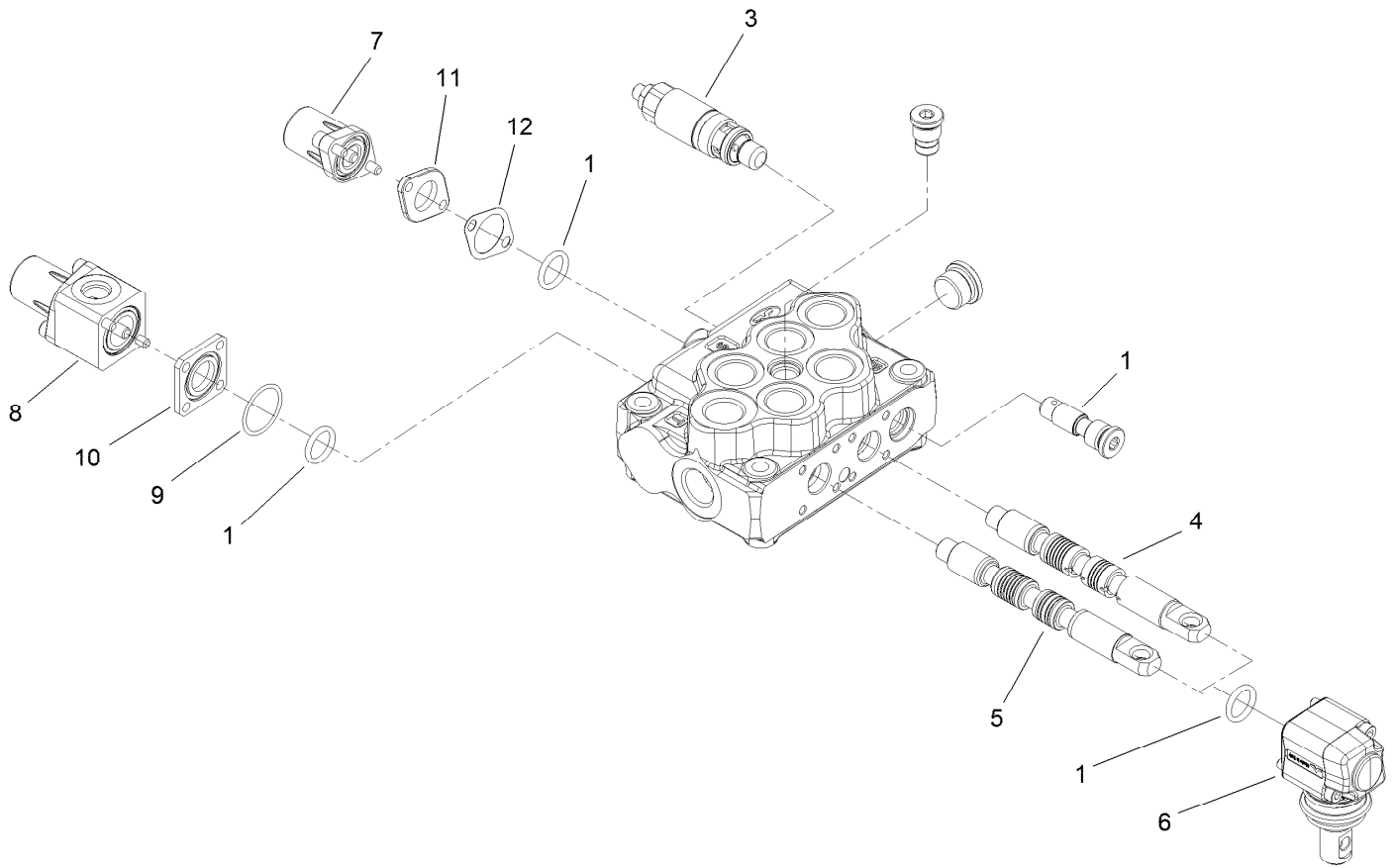
<i>Ref.</i>	<i>Part Number</i>	<i>Qty.</i>	<i>Description</i>	<i>Ref.</i>	<i>Part Number</i>	<i>Qty.</i>	<i>Description</i>
1	117-6419-01	1	Tower	37	3269-17	2	Rivet-Pop
2	117-6389	1	Panel-Control	40	105-1217	1	Decal
2:2	115-1231	1	Decal-Console, RH	41	3229-20	2	Screw-CARR
2:3	115-1230	1	Decal-Console, LH	42	3256-51	2	Washer-Flat
3	106-7715	1	Bar-Reference	43	32149-7	2	Nut-Keps
4	120-7357	1	Tank-Fuel	44	107-7507	1	Pad-Foam
4:1	103-2605	1	Fitting-Fuel, Bulkhead	45	3296-39	2	Nut-Lock, NI
5	120-5461	1	Cap-Fuel, Ratcheting	46	323-11	2	Screw-HH
6	114-3065-01	1	Bracket-Cover, Tank	47	3256-24	2	Washer-Flat
8	100-1268	1	Switch-Plunger	48	256-257	2	Bushing-Nyliner
10	322-5	2	Screw-HH	49	3234-11	8	Screw-HHF
17	3296-29	2	Nut-Lock, NI	50	32128-40	8	Nut-Flange
18	114-1337	2	Spacer-Spring	54	117-6281	1	Decal-Side, LH
19	98-8425	1	Spring-Torsion, LH	55	120-7531	1	Decal-Info
20	98-8424	1	Spring-Torsion, RH	56	114-8727	1	Rod-Interlock
21	114-3012-03	1	Plate-Reverse	57	85-6750	1	Spring-Control
22	100-1263	1	Plate-Switch	58	88-7200	1	Washer-Flat
23	3229-1	2	Bolt-CARR	59	3290-307	1	Pin-Cotter
24	3256-22	4	Washer-Flat	60	3210-7	1	Screw-HH
25	32149-2	2	Nut-Keps	61	3220-2	2	Nut-Jam
26	100-1270	1	Switch-Proximity	62	117-6270	1	Decal-Side, RH
33	95-1726	4	Screw-Taptite	63	117-2718	1	Decal-Arrester, Spark
34	104-7048	1	Cap-Housing	64	104-5228	1	Fitting-Elbow, 90 DEG
35	104-7050	1	Tube-Manual	65	46-6560	1	Bushing
36	2412-120	2	Clamp-R	66	117-6396	1	Hose-Vent, Tank



## Hydraulic Control Assembly

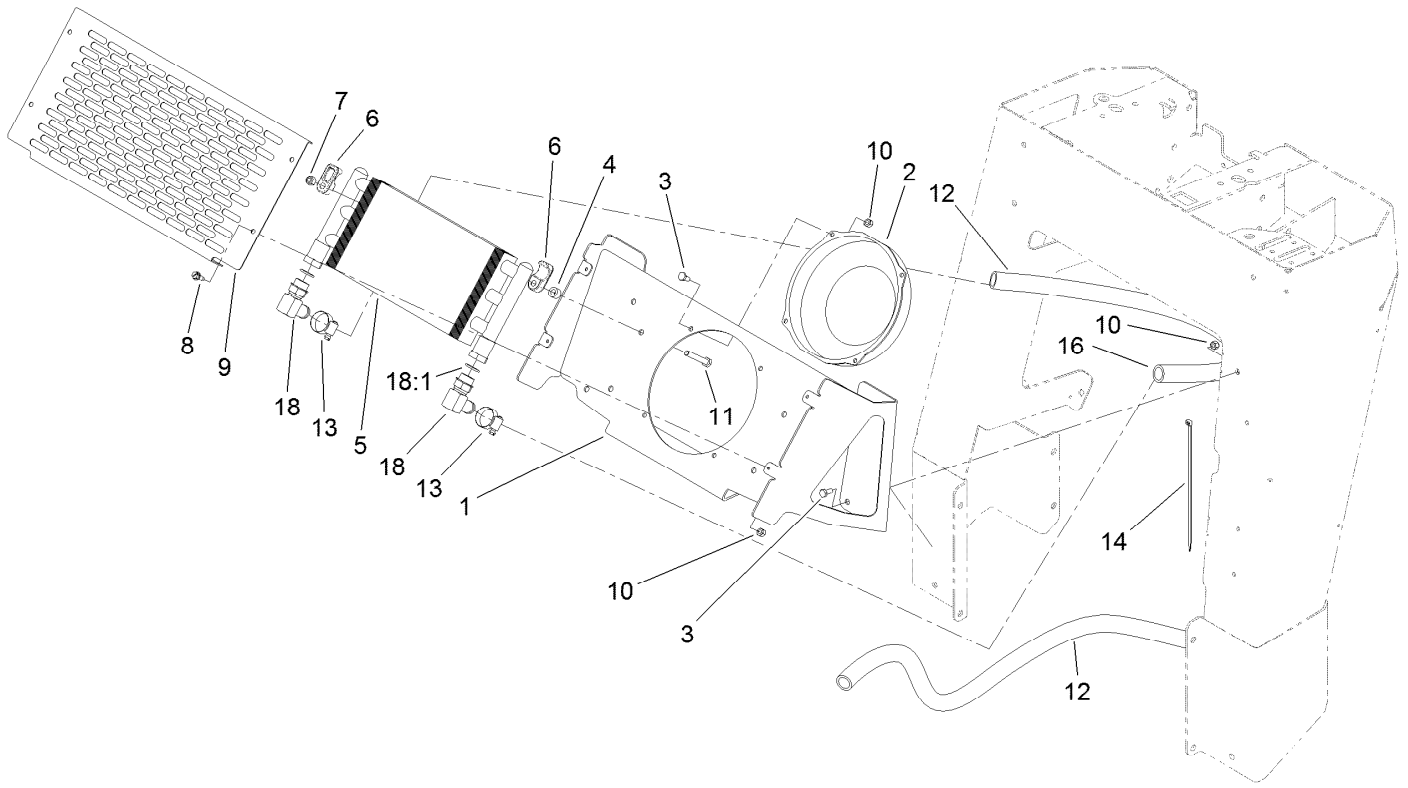
Ref.	Part Number	Qty.	Description
2	115-4062	1	HYD Valve ASM
3	33114-060	1	Screw-HH
4	20-1620	2	Bearing-Wheel, Friction
5	104-2827	1	Spacer-Hiflo
6	112-2738	1	Spring-Torsion
7	112-2739	1	Lever-Auxiliary
8	112-2605	1	Grip-Rubber
9	112-7210	1	Bracket-Control
10	3290-467	2	Pin-Hair
11	322-3	4	Screw-HH
12	233-21	1	Knob
13	3296-29	7	Nut-Lock, NI

Ref.	Part Number	Qty.	Description
14	322-12	3	Screw-HH
15	114-8598	1	Rod-Lever, Cylinder
16	3234-14	1	Screw-HHF
17	3296-42	1	Nut-Lock, NI
18	3256-16	1	Washer-Flat
19	3256-26	2	Washer-Flat
20	115-1273	1	Bearing-Rod End
21	48-7740	1	Screw
22	72-4310	1	Switch-Ball
23	237-42	1	O-Ring
24	103-0384	1	Spacer



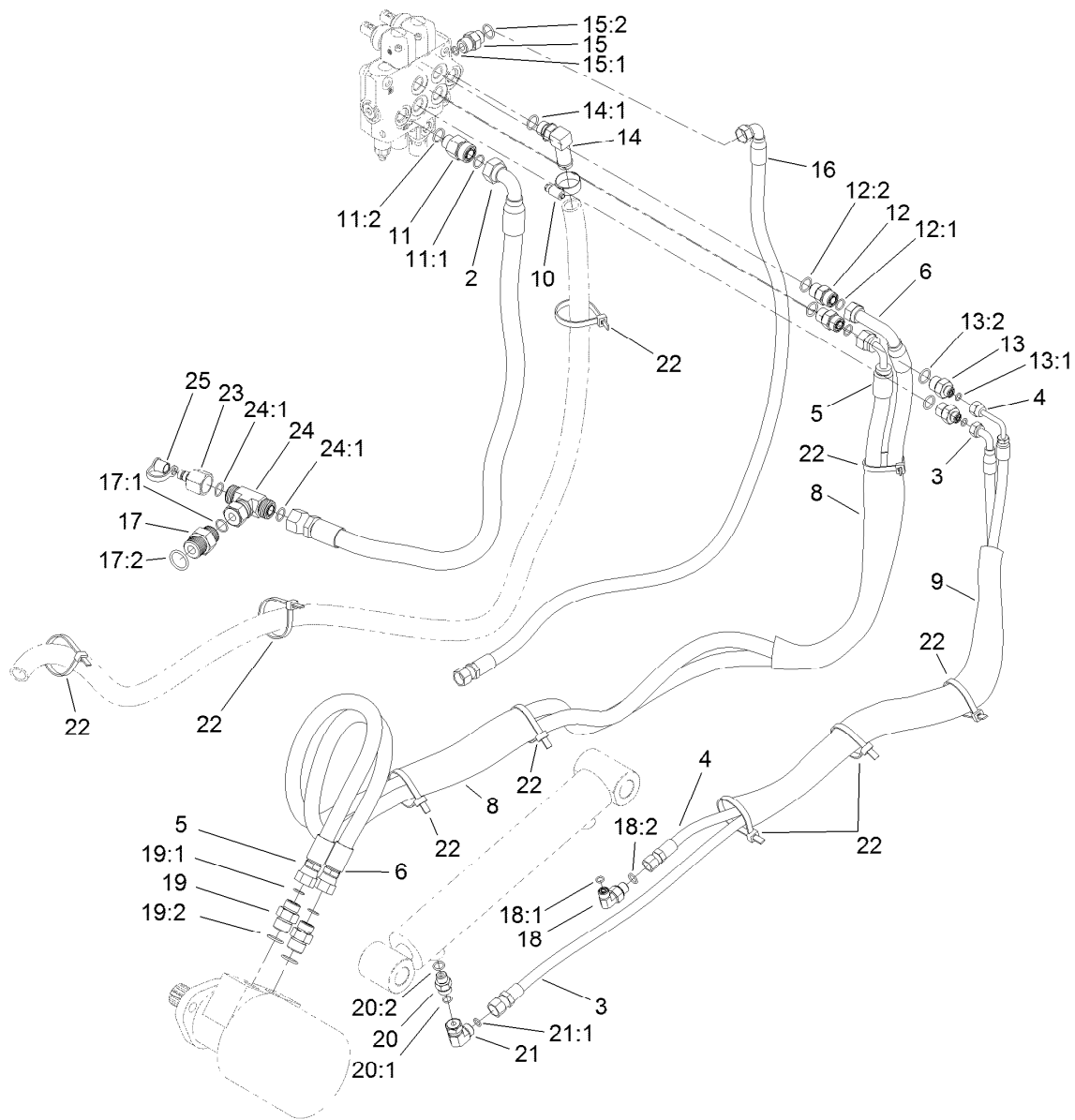
## 2-Spool Valve Assembly No. 115-4062

<i>Ref.</i>	<i>Part Number</i>	<i>Qty.</i>	<i>Description</i>
1	106-7719	4	Seal-Valve
3	100-8805	1	Valve-Relief
4	115-4084	1	Spool-Valve
5	106-7572	1	Spool
6	100-7229	2	Lever Kit
7	115-4092	1	Spring Return Kit
8	115-4093	1	Switch Spring Return Kit
9	115-4097	1	Seal-Return
10	115-4094	1	Spacer-Square
11	115-4089	1	Spacer-Spring Return
12	115-4088	1	Gasket-Return



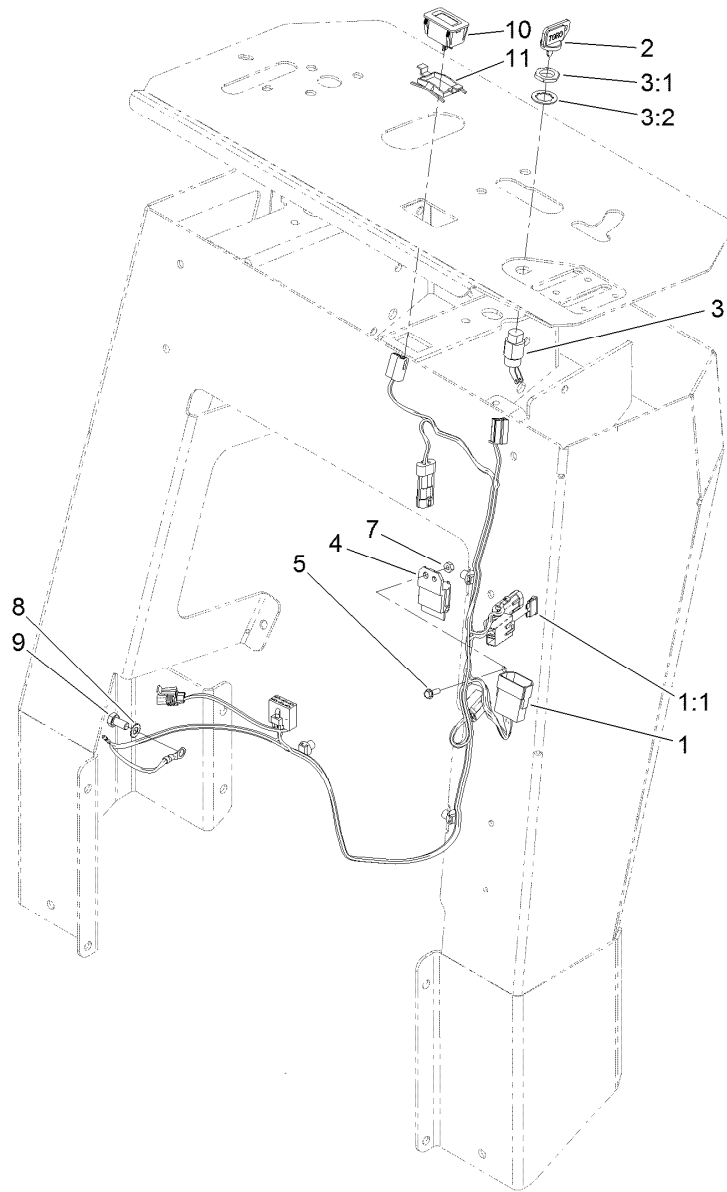
## Oil Cooler Assembly

<i>Ref.</i>	<i>Part Number</i>	<i>Qty.</i>	<i>Description</i>	<i>Ref.</i>	<i>Part Number</i>	<i>Qty.</i>	<i>Description</i>
1	117-6296-01	1	Mount-Cooler	10	3296-42	12	Nut-Lock, NI
2	104-2809	1	Fan	11	322-11	4	Screw-HH
3	321-3	12	Screw-HH	12	115-1207	1	Hose-Return
4	98-4695	4	Spacer	13	2412-129	2	Clamp-Hose
5	105-0352	1	Exchanger-Heat	14	3334-945	1	Tie-Cable
6	131-0733	8	Clamp-Cooler, Oil	16	117-3966	1	Hose-Cooler
7	3296-29	4	Nut-Lock, NI	18	87-8170	2	Fitting
8	32104-95	4	Screw-HWH	18:1	237-80	1	O-Ring
9	119-4633-01	1	Cover-Cooler				



## Hydraulic Routing Assembly

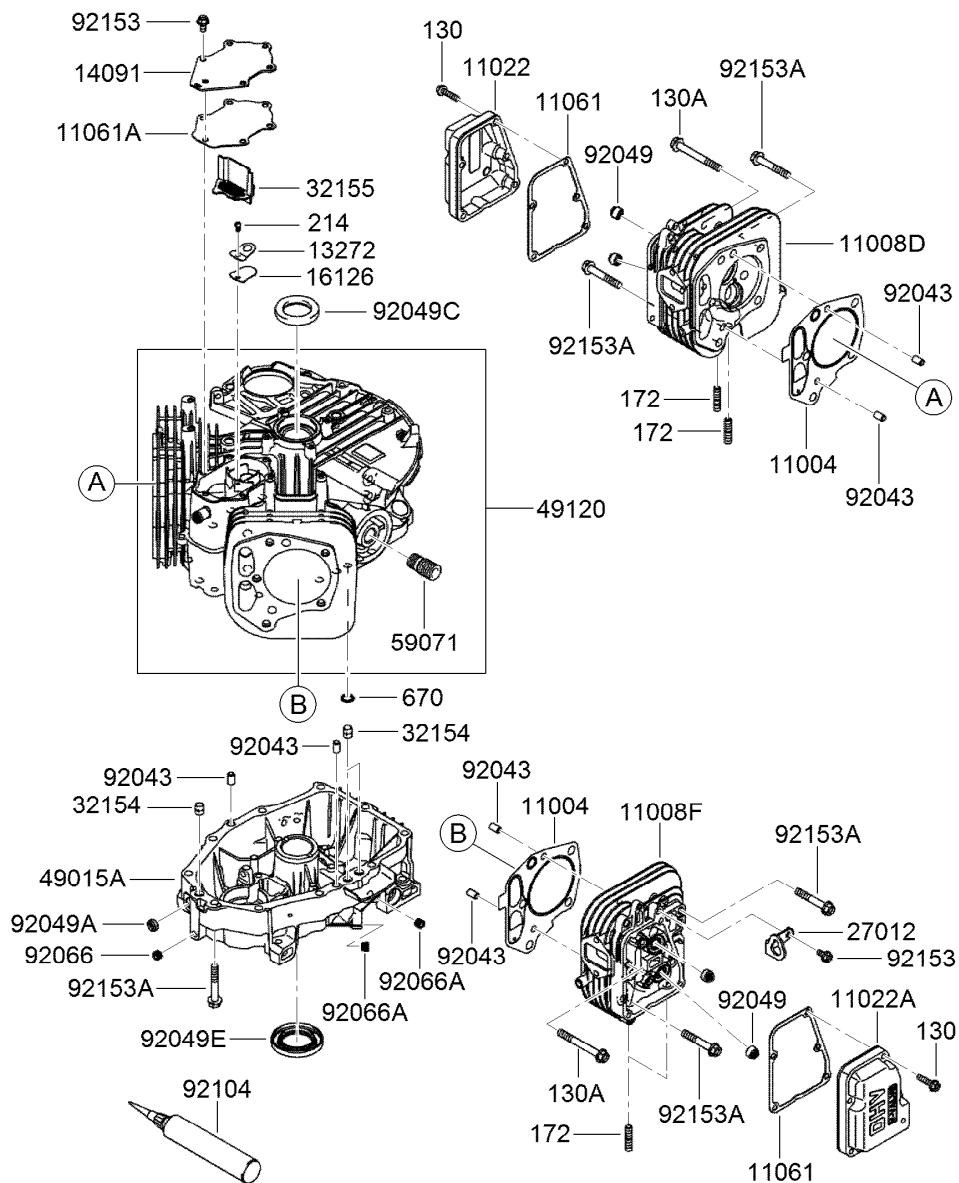
Ref.	Part Number	Qty.	Description	Ref.	Part Number	Qty.	Description
2	114-3043	1	Hose-HYD	15:2	237-79	1	O-Ring
3	114-3044	1	Hose-HYD	16	117-4038	1	Hose ASM
4	114-3045	1	Hose-HYD	17	340-8	1	Adapter
5	114-3046	1	Hose-HYD	17:1	237-65	1	O-Ring
6	114-3085	1	Hose-HYD	17:2	237-81	1	O-Ring
8	99-5648	2	Sleeve-Protective	18	340-82	1	Fitting-HYD, 90
9	115-4064	1	Sleeve-Protective	18:1	237-42	1	O-Ring
10	2412-129	2	Clamp-Hose	18:2	237-21	1	O-Ring
11	340-155	1	Fitting-HYD, Straight	19	340-6	2	Fitting-HYD, Straight
11:1	237-79	1	O-Ring	19:1	237-30	1	O-Ring
11:2	237-151	1	O-Ring	19:2	237-80	1	O-Ring
12	340-4	2	Fitting-HYD, Straight	20	115-4081	1	Valve-Check
12:1	237-30	1	O-Ring	20:1	237-42	1	O-Ring
12:2	237-79	1	O-Ring	20:2	237-22	1	O-Ring
13	340-133	2	Adapter ASM	21	340-159	1	Fitting-HYD, 90 DEG
13:1	237-79	1	O-Ring	21:1	237-22	2	O-Ring
13:2	237-21	1	O-Ring	22	3334-945	9	Tie-Cable
14	353-954	1	Adapter	23	86-5860	1	Nipple
14:1	237-79	1	O-Ring	24	340-167	1	Fitting-HYD, Tee
15	340-3	1	Adapter	24:1	237-65	2	O-Ring
15:1	237-22	1	O-Ring	25	354-79	1	Cap-Dust



## Electrical Assembly

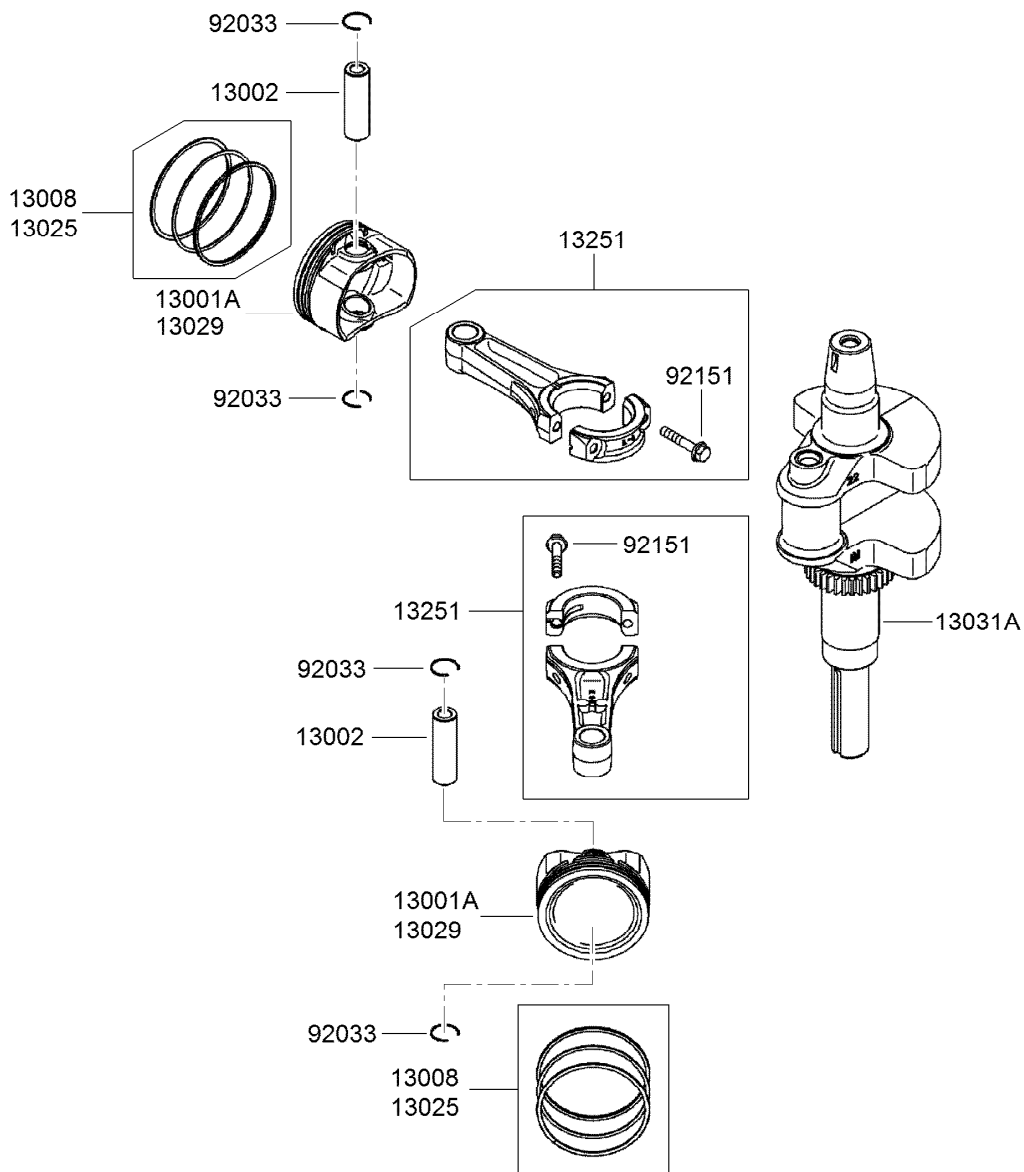
<i>Ref.</i>	<i>Part Number</i>	<i>Qty.</i>	<i>Description</i>
1	117-6287	1	Harness-Wire
1:1	109355	1	Fuse-Blade, 15 Amp
2	63-8360	1	Key-Ignition
3	29-5560	1	Switch-On / Off
3:1	218-461	1	Nut-HH
3:2	3254-5	1	Washer-Tooth, Internal
4	1-323430	1	Module-Interlock
5	32105-23	1	Screw
7	3296-2	1	Nut-Lock, NI
8	3255-8	2	Washer-Lock
9	33114-016	1	Screw-HH
10	120-2244	1	Hourmeter
11	104-4234	1	Clip-Mounting





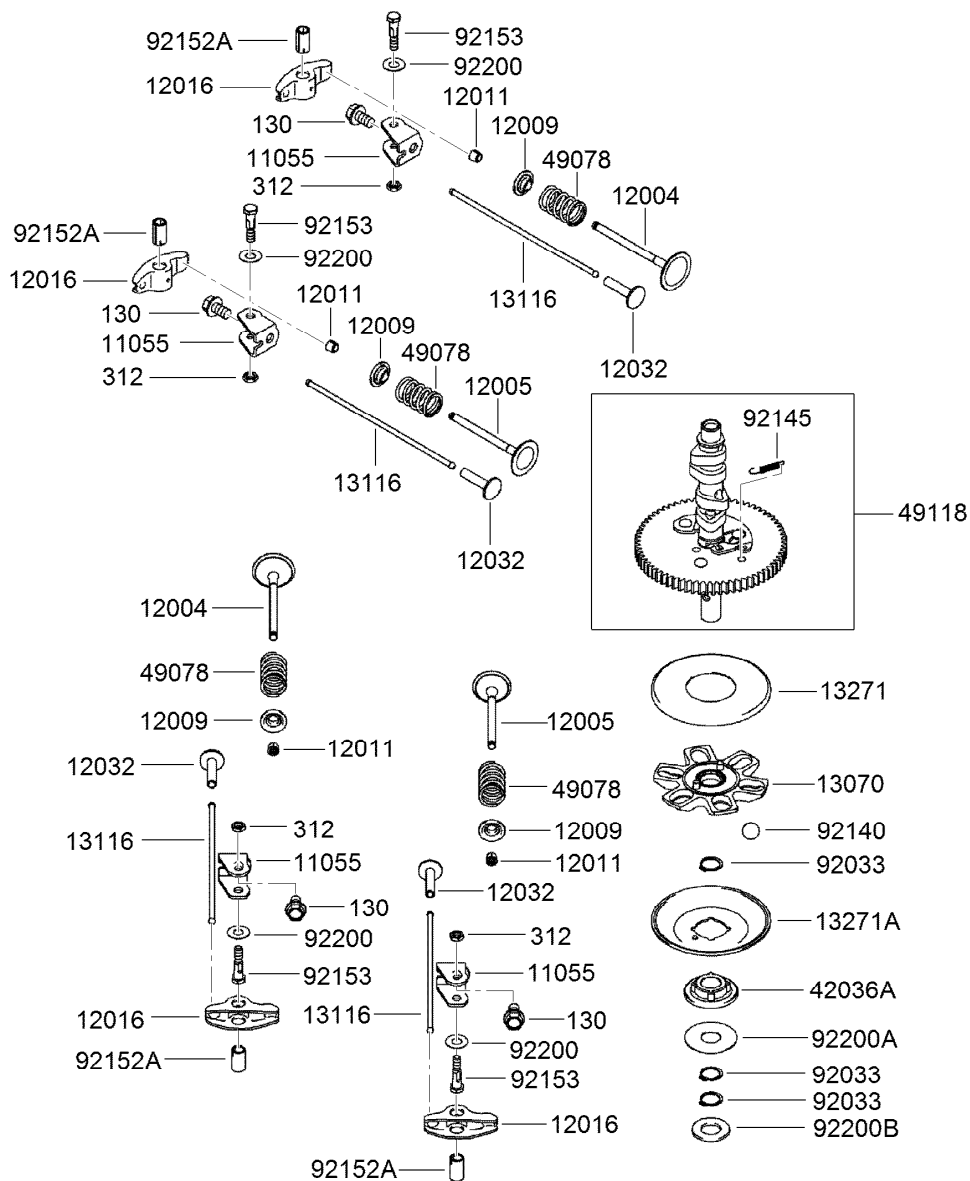
## Cylinder and Crankcase Assembly

Ref.	Part Number	Qty.	Description	Ref.	Part Number	Qty.	Description
130	93-8548	10	Bolt-Flanged (6X25)	32154	119-5811	3	Pipe
130A	120-7406	6	Bolt-Flanged (8X70)	32155	119-5812	1	Pipe-Breather
172	114-8658	4	Bolt-Stud (8X18)	49015A	120-7404	1	Cover-Crankcase
214	115-6422	1	Screw-Pan (4X8)	49120	120-7405	1	Crankcase ASM
670	95-9771	2	O-Ring (11Mm)	59071	95-9715	1	Joint
11004	120-7400	2	Gasket-Head	92043	KW10694	6	Pin
11008D	120-7401	1	Cylinder Head No. 1 ASM	92049	114-8650	4	Seal-Oil, Rv C2 (6X11X10.2)
11008F	120-7402	1	Cylinder Head No. 2 ASM	92049A	119-5816	1	Seal-Oil, So (8X14X5) Hs
11022	119-5803	1	Case-Rocker (No.1)	92049C	114-8652	1	Seal-Oil, S D (35X48X8 R HSH)
11022A	119-5804	1	Case-Rocker (No.2)	92049E	119-5818	1	Seal-Oil (38X62X8) Mtclv
11061	119-5805	2	Gasket-Case, Rocker	92066	119-5819	1	Plug
11061A	119-5806	1	Gasket-Breather	92066A	119-5820	2	Plug
13272	119-5808	1	Plate-Breather	92104	119-5821	1	Gasket-Liquid (Tb1217H)
14091	119-5809	1	Cover-Breather	92153	114-8655	7	Bolt (6X12)
16126	119-5810	1	Valve-Breather	92153A	114-8656	14	Bolt (8X50)
27012	120-7403	1	Hook-Lift				



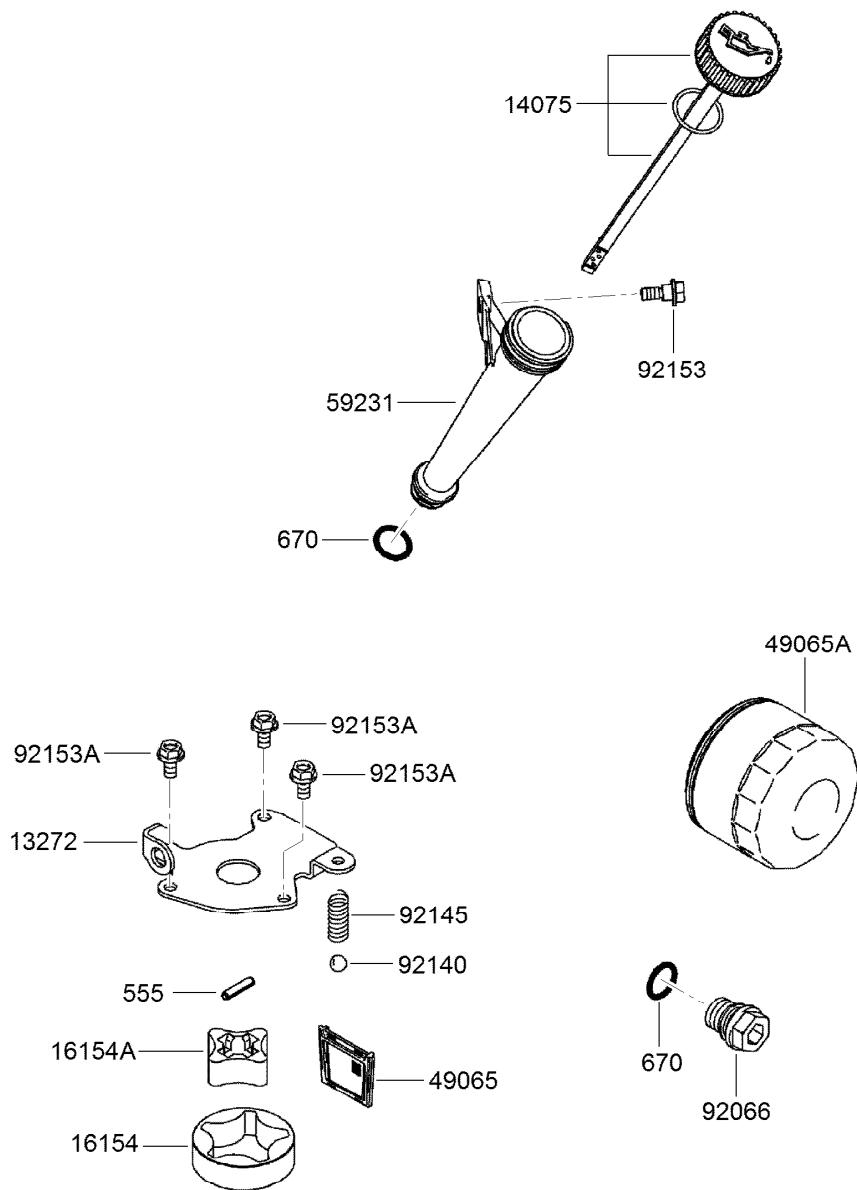
## Piston and Crankshaft Assembly

Ref.	Part Number	Qty.	Description
13001A	120-7407	2	Piston-Engine
13002	108-2517	2	Pin-Piston
13008	120-7408	2	Piston Ring Set
13025	120-7409	1	Piston Ring Set (L,0.5)
13029	120-7410	1	Piston Ring Set (L,0.5)
13031A	120-7411	1	Crankshaft ASM
13251	120-7412	2	Connecting Rod ASM
92033	114-8665	4	Ring-Snap
92151	115-6565	4	Bolt (6X35)



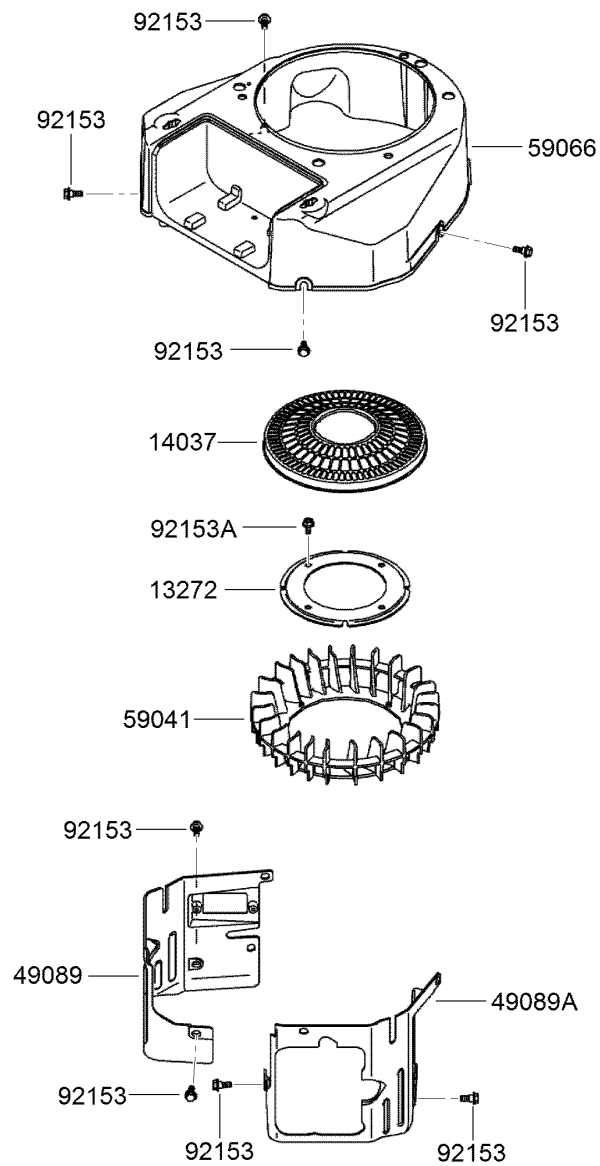
## Valve and Camshaft Assembly

Ref.	Part Number	Qty.	Description	Ref.	Part Number	Qty.	Description
130	119-5845	4	Bolt-Flanged (8X14)	13271A	114-8672	1	Plate-Governor
312	119-5846	4	Nut-Hex (6Mm)	42036A	120-7416	1	Sleeve
11055	119-5832	4	Bracket	49078	119-5838	4	Spring-Valve, Engine (In)
12004	120-7413	2	Valve-Intake	49118	120-7417	1	Camshaft ASM
12005	120-7414	2	Valve-Exhaust	92033	114-8675	3	Ring-Snap
12009	108-2525	4	Retainer-Spring, Valve	92140	114-8676	6	Ball
12011	95-9744	8	Collet	92145	114-8677	1	Spring
12016	119-5835	4	Arm-Rocker	92152A	120-7418	4	Collar
12032	108-2527	4	Tappet	92153	119-5841	4	Bolt (6X29.5)
13070	119-5836	1	Guide-Governor	92200	119-5842	4	Washer (8.1X18X0.5)
13116	120-7415	4	Rod-Push	92200A	119-5843	1	Washer (16X42X0.91)
13271	114-8671	1	Plate	92200B	119-5844	1	Washer (16.3X30X2.28)



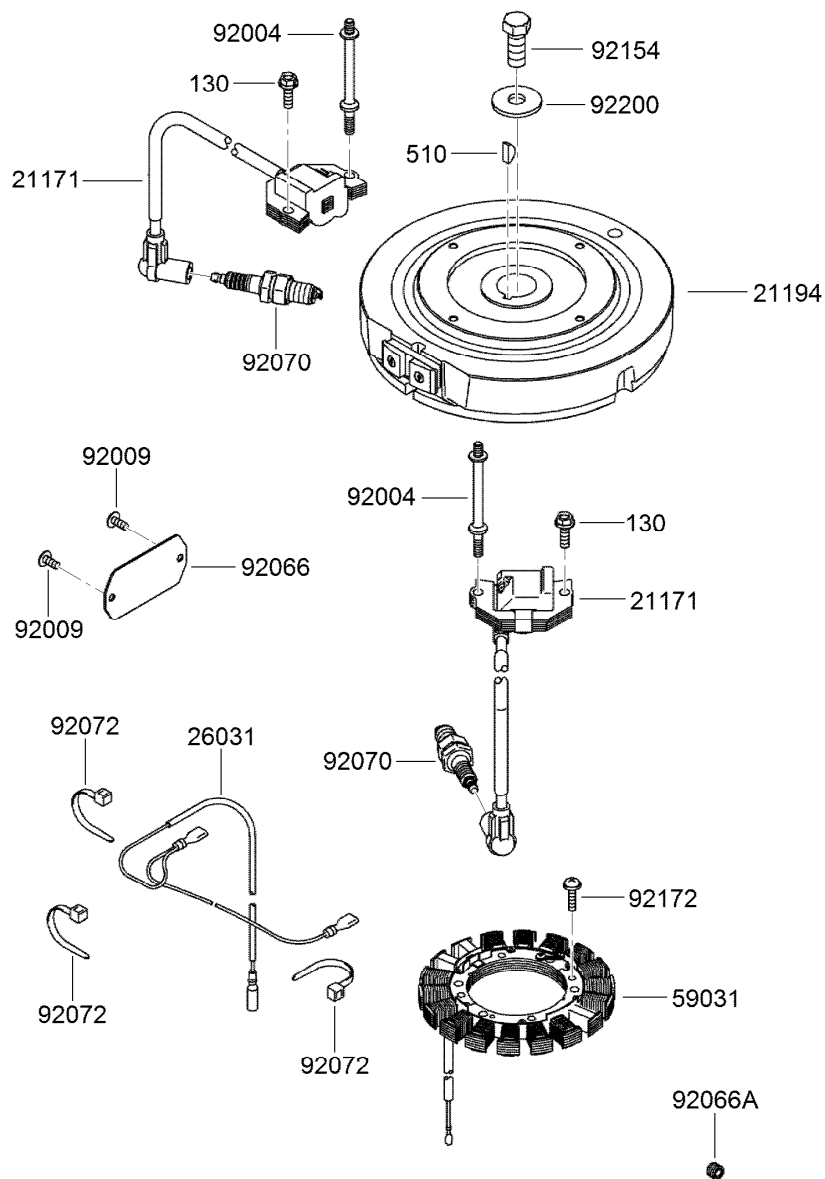
## Lubrication Equipment Assembly

Ref.	Part Number	Qty.	Description
555	119-5859	1	Pin-Spring (4X20)
670	1-413506	2	Discontinued
13272	119-5847	1	Plate-Rotor
14075	119-5848	1	Oil Gauge Cap ASM
16154	119-5849	1	Rotor-Pump, Outer
16154A	119-5850	1	Rotor-Pump, Inner
49065	119-5851	1	Filter-Oil
49065A	119-5852	1	Filter-Oil
59231	119-5853	1	Tube-Filler, Oil
92066	119-5854	1	Plug
92140	119-5856	1	Ball
92145	119-5857	1	Spring
92153	114-8697	1	Bolt
92153A	115-6419	3	Bolt (6X12)



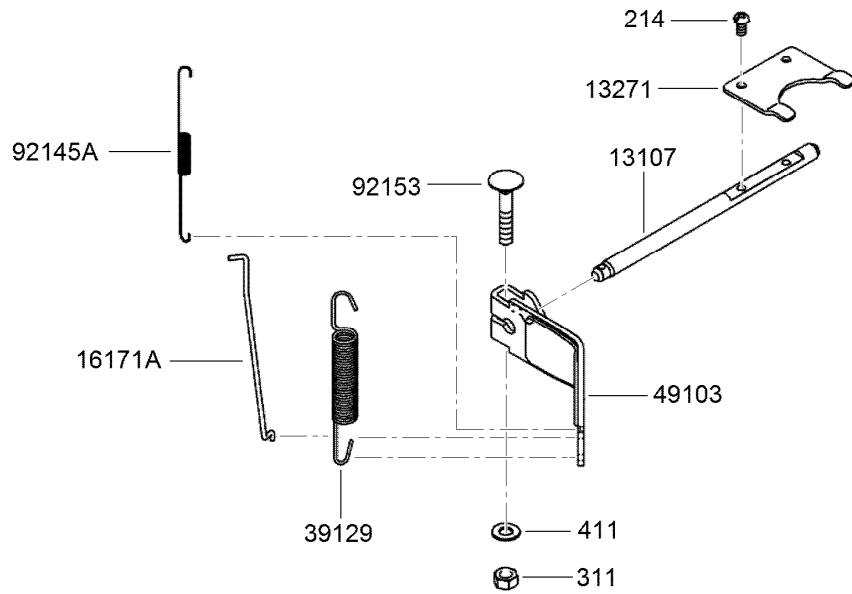
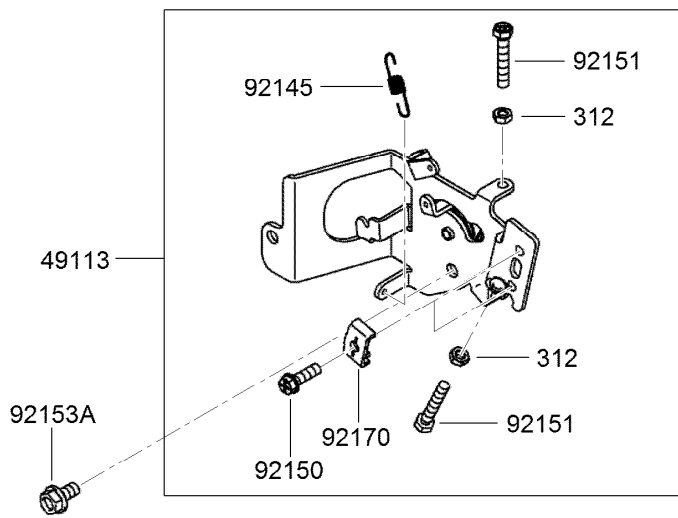
## Cooling Equipment Assembly

<i>Ref.</i>	<i>Part Number</i>	<i>Qty.</i>	<i>Description</i>
13272	119-5860	1	Plate-Fan
14037	120-7419	1	Screen
49089	120-7420	1	Shroud-Engine
49089A	120-7421	1	Shroud-Engine
59041	120-7422	1	Fan
59066	120-7423	1	Housing-Fan
92153	120-7424	8	Bolt
92153A	114-8655	4	Bolt (6X12)



## Electric Equipment Assembly

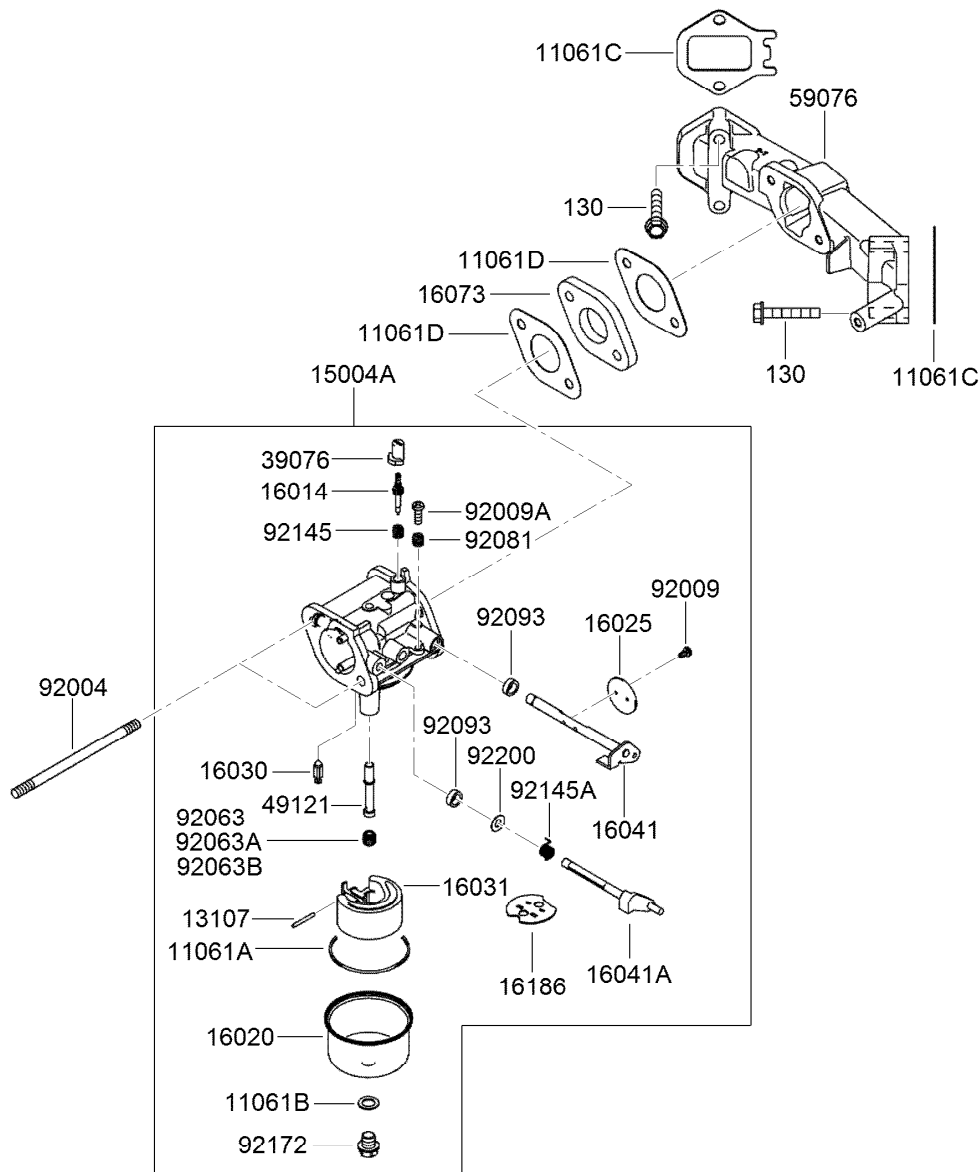
Ref.	Part Number	Qty.	Description
130	95-9893	2	Bolt-Flanged (6X20)
510	KW10163	1	Key-Woodruff
21171	119-5872	2	Ignition Coil ASM
21194	120-7425	1	Flywheel ASM
26031	119-5876	1	Harness
59031	120-7476	1	Coil-Charging
92004	120-7426	2	Stud (6X74.6)
92009	95-9716	2	Screw
92066	115-6406	1	Plug
92066A	119-5820	1	Plug
92070	92-2153	2	Spark Plug
92072	115-6585	3	Band
92154	120-7427	1	Bolt (12X30)
92172	115-4030	4	Screw (5X20)
92200	115-4031	1	Washer (12.2X46X3)



## Control Equipment Assembly

<i>Ref.</i>	<i>Part Number</i>	<i>Qty.</i>	<i>Description</i>
214	115-6422	2	Screw-Pan (4X8)
311	114-8698	1	Nut-Hex (6Mm)
312	119-5894	2	Nut-Hex (5Mm)
411	115-6423	1	Washer-Plain (6Mm)
13107	120-7428	1	Shaft
13271	119-5883	1	Plate
16171A	120-7429	1	Link
39129	120-7430	1	Spring-Governor
49103	120-7431	1	Arm-Governor

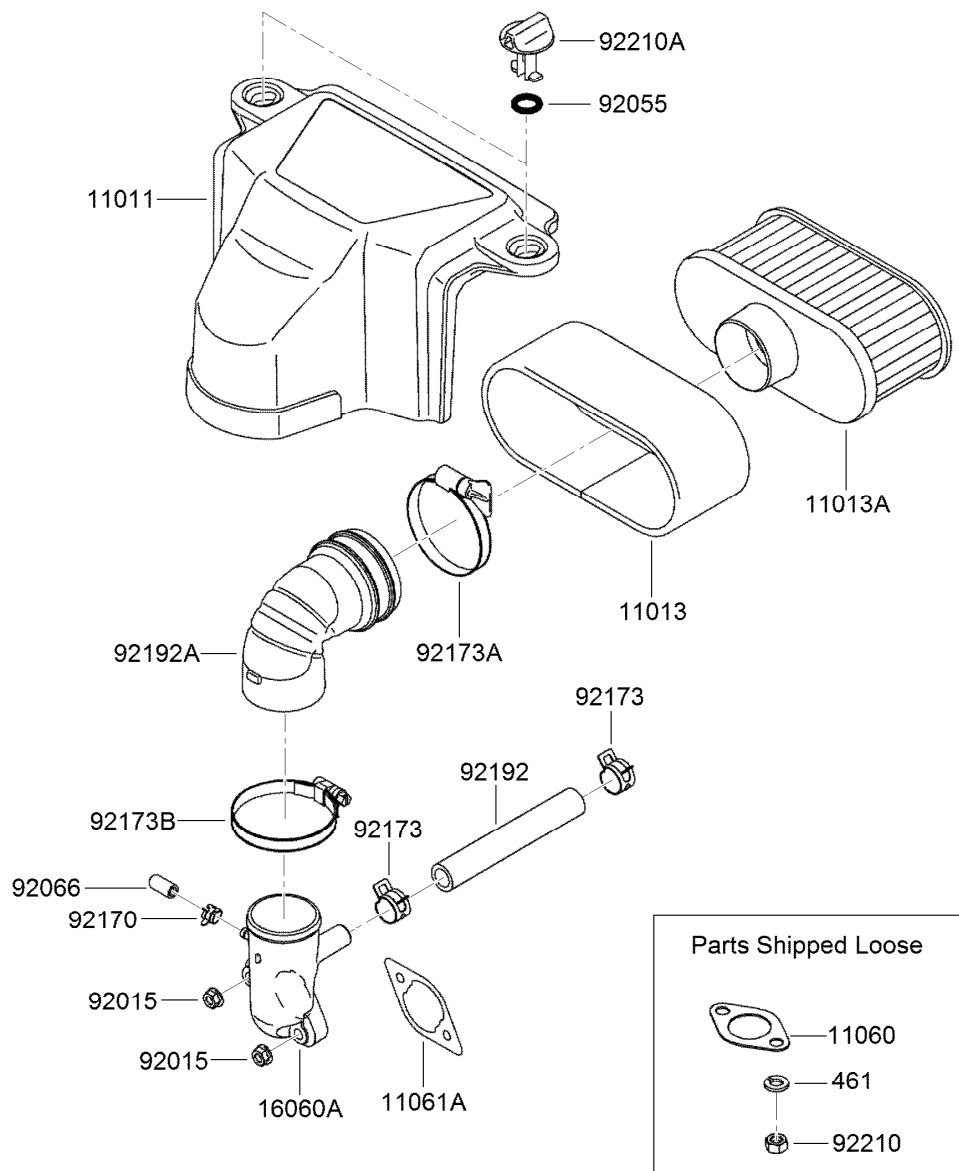
<i>Ref.</i>	<i>Part Number</i>	<i>Qty.</i>	<i>Description</i>
49113	120-7432	1	Control Panel ASM
92145	115-6418	1	Spring
92145A	119-5889	1	Spring
92150	95-9853	2	Bolt (5X18)
92151	119-5891	2	Bolt (5X30)
92153	115-6420	1	Bolt (6X35)
92153A	114-8655	1	Bolt (6X12)
92170	115-6421	2	Clamp



## Carburetor Assembly

Ref.	Part Number	Qty.	Description	Ref.	Part Number	Qty.	Description
130	115-6591	4	Bolt-Flanged (6X35)	39076	108-2593	1	Limiter
11061A	115-6425	1	Gasket-Chamber	49121	120-7439	1	Nozzle-Main
11061B	108-2580	1	Gasket-Screw	59076	120-7440	1	Manifold-Intake
11061C	120-7433	2	Gasket-Manifold	92004	120-7441	2	Stud (6X95)
11061D	120-7434	2	Gasket-Insulator	92009	108-2595	2	Screw
13107	115-6427	1	Shaft	92009A	108-2596	1	Screw
15004A	120-7435	1	Carburetor ASM	92063	115-6602	1	Jet-Main, No. 100
16014	120-7436	1	Screw-Air, Pilot	92063A	120-7442	1	Jet-Main, No. 098 (6560 Ft)
16020	115-6430	1	Chamber-Float	92063B	120-7443	1	Jet-Main, No. 102
16025	115-6431	2	Valve-Throttle	92081	108-2598	1	Spring
16030	115-6432	1	Valve-Float	92093	108-2599	2	Seal
16031	115-6433	1	Float	92145	108-2600	1	Spring
16041	115-6435	1	Shaft-Throttle, Carburetor	92145A	120-7444	1	Spring
16041A	120-7437	1	Shaft-Carburetor, Choke	92172	108-2601	1	Screw
16073	115-6594	1	Insulator	92200	120-7445	1	Washer (9.8X5.5X1.0)
16186	120-7438	1	Choke Valve ASM				

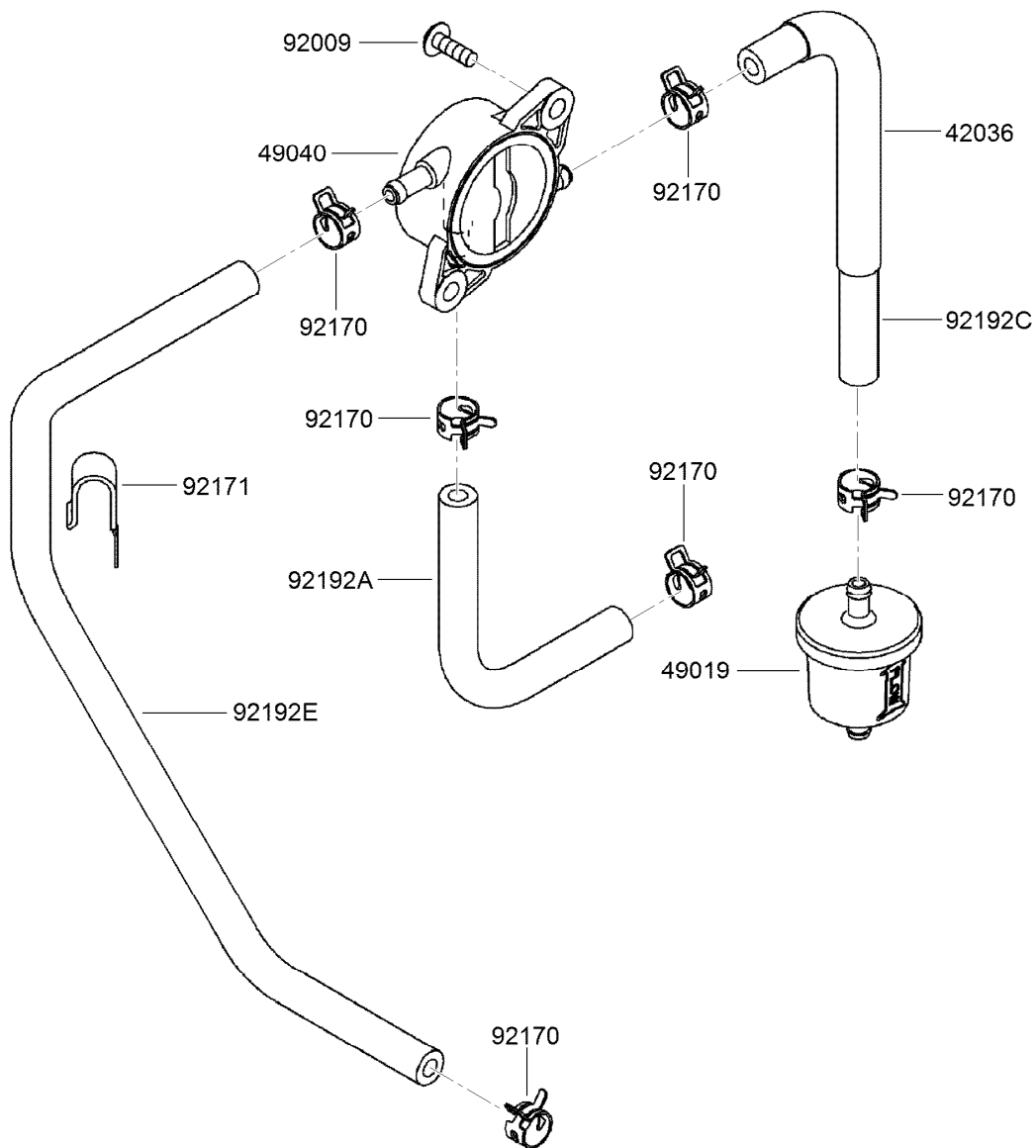




## Air Filter and Muffler Assembly

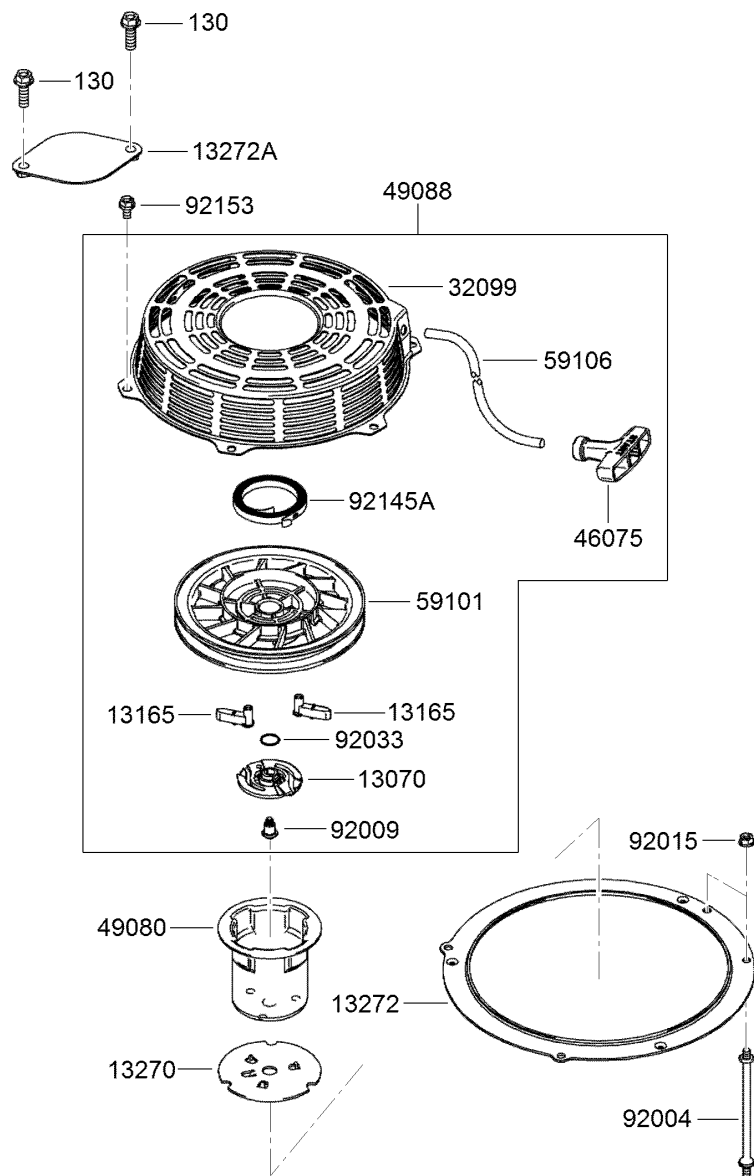
<i>Ref.</i>	<i>Part Number</i>	<i>Qty.</i>	<i>Description</i>
461	119-5962	4	Washer-Spring (8Mm)
11011	120-7477	1	Case-Filter, Air
11013	120-7447	1	Element-Filter, Air
11013A	120-7448	1	Element-Filter, Air
11060	119-5948	2	Gasket-Muffler
11061A	120-7449	1	Gasket-Cleaner, Air
16060A	120-7450	1	Pipe-Intake
92015	119-5954	2	Nut
92055	120-7451	2	O-Ring

<i>Ref.</i>	<i>Part Number</i>	<i>Qty.</i>	<i>Description</i>
92066	120-7452	1	Plug
92170	120-7453	1	Clamp
92173	119-5956	2	Clamp
92173A	120-7454	1	Clamp
92173B	120-7455	1	Clamp
92192	119-5957	1	Tube (12.6X18.6X118)
92192A	120-7456	1	Tube-A/C
92210	119-5959	4	Nut (M8)
92210A	120-7457	2	Nut



## Fuel Pump and Filter Assembly

<i>Ref.</i>	<i>Part Number</i>	<i>Qty.</i>	<i>Description</i>
42036	119-5963	1	Sleeve
49019	121-4570	1	Filter-Fuel
49040	119-5965	1	Pump-Fuel
92009	119-5879	2	Screw
92170	119-5967	6	Clamp
92171	119-5968	1	Clamp
92192A	119-5970	1	Tube (6.4X12.7X150)
92192C	120-7458	1	Tube (6.35X12.7X185)
92192E	120-7459	1	Tube (6.35X12.7X360)



## Starter Assembly

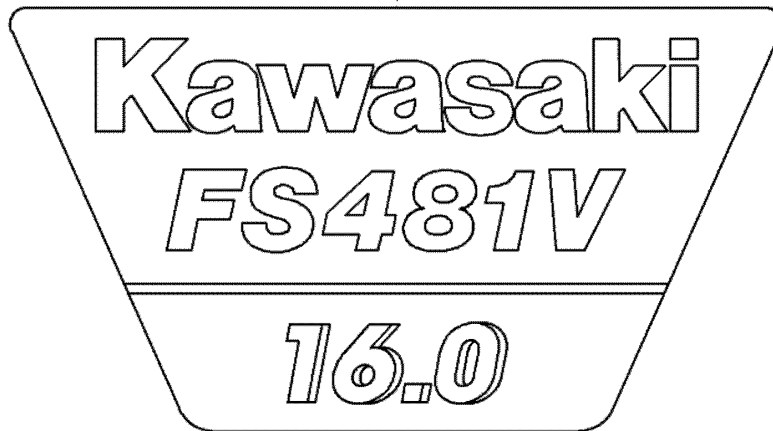
Ref.	Part Number	Qty.	Description
130	120-7474	2	Bolt-Flanged (8X25)
13070	120-7460	1	Guide
13165	120-7461	2	Pawl-Starter, Recoil
13270	114-8689	1	Plate
13272	120-7462	1	Plate
13272A	120-7463	1	Plate
32099	120-7464	1	Case-Starter, Recoil
46075	120-7465	1	Grip-Starter, Recoil
49080	120-7466	1	Pulley-Starting

Ref.	Part Number	Qty.	Description
49088	120-7467	1	Starter-Recoil
59101	120-7468	1	Reel-Starter, Recoil
59106	120-7469	1	Rope (5X1500)
92004	120-7470	2	Stud (6X121.3)
92009	120-7471	1	Screw
92015	119-5954	4	Nut
92033	120-7472	1	Ring-Snap
92145A	120-7473	1	Spring
92153	114-8655	3	Bolt (6X12)

56070



56080



## Label Set

<i>Ref.</i>	<i>Part Number</i>	<i>Qty.</i>	<i>Description</i>
56070	108-2625	1	Label-Warning
56080	120-7475	1	Label-Brand

# Attachments and Accessories

## For 22972 TRX-16 Trencher

<b>Product Name</b>	<b>Model/Part</b>
Crumber Kit .....	22477
24in X 4in Soil Chain.....	22480
24in X 4in Combination Chain .....	22481
24in X 4in Rock Tooth Chain.....	22482
24in X 6in Soil Chain.....	22483
24in X 6in Combination Chain .....	22484
24in X 6in Rock Tooth Chain.....	22485
36in X 4in Soil Chain.....	22486
36in X 4in Combination Chain .....	22487
36in X 4in Rock Tooth Chain.....	22488
36in X 6in Rock Tooth Chain.....	22489
36in X 6in Soil Chain.....	22490
36in X 6in Combination Chain .....	22491
48in x 4in Soil Chain .....	22492
48in x 4in Combination Chain .....	22493
48in x 6in Soil Chain .....	22494
48in x 6in Combination Chain .....	22495
24in X 4in Bullet Chain.....	22496
24in X 6in Bullet Chain.....	22497
36in X 4in Bullet Chain.....	22498
36in X 6in Bullet Chain.....	22499
24in Trencher Boom .....	22975
36in Trencher Boom .....	22976
48in Trencher Boom .....	22977
Bore Drive Attachment.....	22978
Backfill Blade .....	22980
Spark Arrestor Screen .....	94-8157

**Notes:**

**Notes:**



**Count on it.**