



Count on it.

Parts Catalog

**Z Master® Commercial 2000
Series Riding Mower**

**with 48in TURBO FORCE® Side Discharge
Mower**

Model No. 74141—Serial No. 315000001 and Up



Ordering Replacement Parts

To order replacement parts, please supply the part number, the quantity, and the description of each part desired.

Understanding Reference Numbers

Each identified part in an illustration has a reference number. The reference number for a part also appears in the parts list, along with other information about the part.

This catalog uses two special reference number formats, one to indicate parts in a service assembly and another to indicate the quantity of a given part in an illustration.

Service Assembly Reference Numbers

Parts in service assemblies have reference numbers in the form a:b. The a represents the reference number of the entire service assembly and the b represents a sequential number unique to each part within the service assembly.

For example, a wheel assembly might be identified by reference number 6, the tire by 6:1, the valve by 6:2, and the wheel by 6:3. When you order the assembly identified by reference number 6, you receive all parts identified by reference numbers 6:1, 6:2, and 6:3. However, you may also order any part individually. Reference numbers of this type appear in illustration and in parts lists.

Reference Numbers Indicating Quantity

In an illustration, if a reference number indicates more than one part, the reference number has the form nX y. The n represents the quantity of the part, the X is the multiplication symbol, and the y represents the reference number.

For example, in an illustration, the reference number 2X 37 means that two of the parts identified by reference number 37 are indicated.

List of Abbreviations

AR: as required

ASM: assembly

BBC: blade brake control

BHTF: button head thread forming

CARR: carriage

CCW: counter clockwise

CW: clockwise

DEG: degrees

DPA: Dual Point Adjustment

ECM: electronic control module

EXT: external

FH: flat head

GA: gauge

HD: heavy-duty

HF: hex flange

HH: hex head

HHF: hex head flange

HHFTF: hex head flange thread forming

HJ: hex jam

HLH: hex lag head

HOC: height-of-cut

HP: high pressure

HSBH: hex socket button head

HSFH: hex socket flat head

HSH: hex socket head

HWH: hex washer head

HWHTF: hex washer head thread forming

HYD: hydraulic

LH: left hand

LP: low pressure

LPG: Liquefied Petroleum Gas

NI: nylon insert

NPTF: national pipe thread fine

PFH: phillips flat head

PPH: phillips pan head

PPHTF: phillips pan head thread forming

PRH: phillips round head

PTH: phillips truss head

PTO: power-take-off

RH: right hand

ROPS: roll-over protection system

RRB: rear roller brush

SFH: slotted fillister head

SHH: slotted hex head

SHWH: slotted hex washer head

SPH: slotted pan head

SQH: square head

SRH: slotted round head

STD: standard

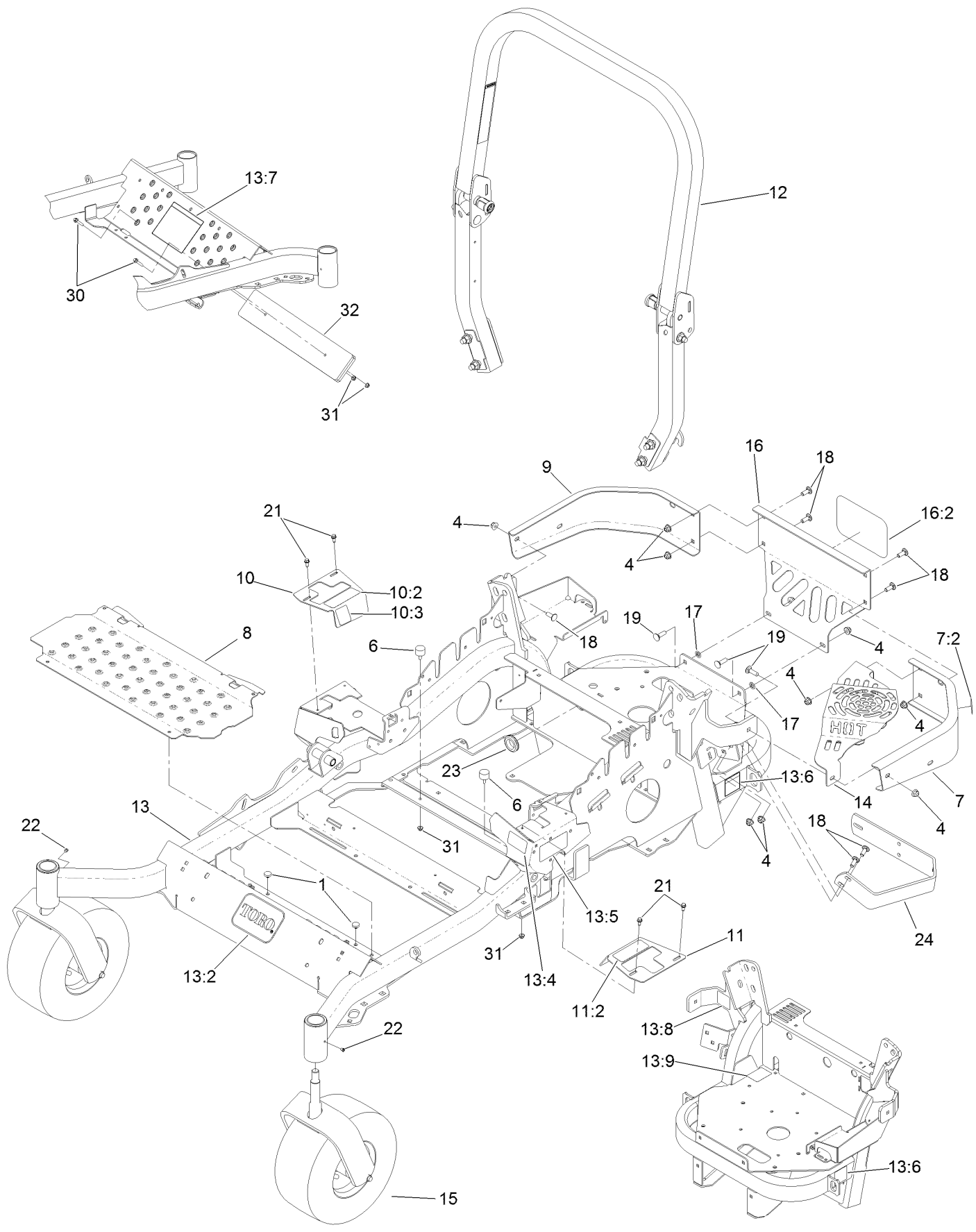
TAP: self tapping

TTH: torx truss head

Contents

| | |
|---|----|
| Frame and Caster Wheel Assembly | 4 |
| Roll-Over Protection System Assembly No. 116-0231 | 6 |
| Caster Fork and Wheel Assembly | 8 |
| Hydro Drive System Assembly | 10 |
| RH Transaxle Assembly No. 130-2850 | 12 |
| LH Transaxle Assembly No. 130-2851 | 14 |
| Hydro Idler Arm Assembly | 16 |
| Fuel Tank and Hose Assembly | 18 |
| Seat Mounting Assembly | 20 |
| Seat Assembly No. 127-9538 | 22 |
| Motion Control Assembly | 24 |
| Parking Brake Assembly | 26 |
| Engine, Muffler and Control Panel Assembly | 28 |
| Deck Lift Assembly | 30 |
| Height-of-Cut Assembly No. 120-2520 | 32 |
| Deck Assembly | 34 |
| Deck Decal Assembly No. 131-7664 | 36 |
| Deflector Assembly No. 120-2451 | 38 |
| Idler Assembly | 40 |
| Electrical Assembly | 42 |
| Attachments and Accessories | 44 |

Frame and Caster Wheel Assembly

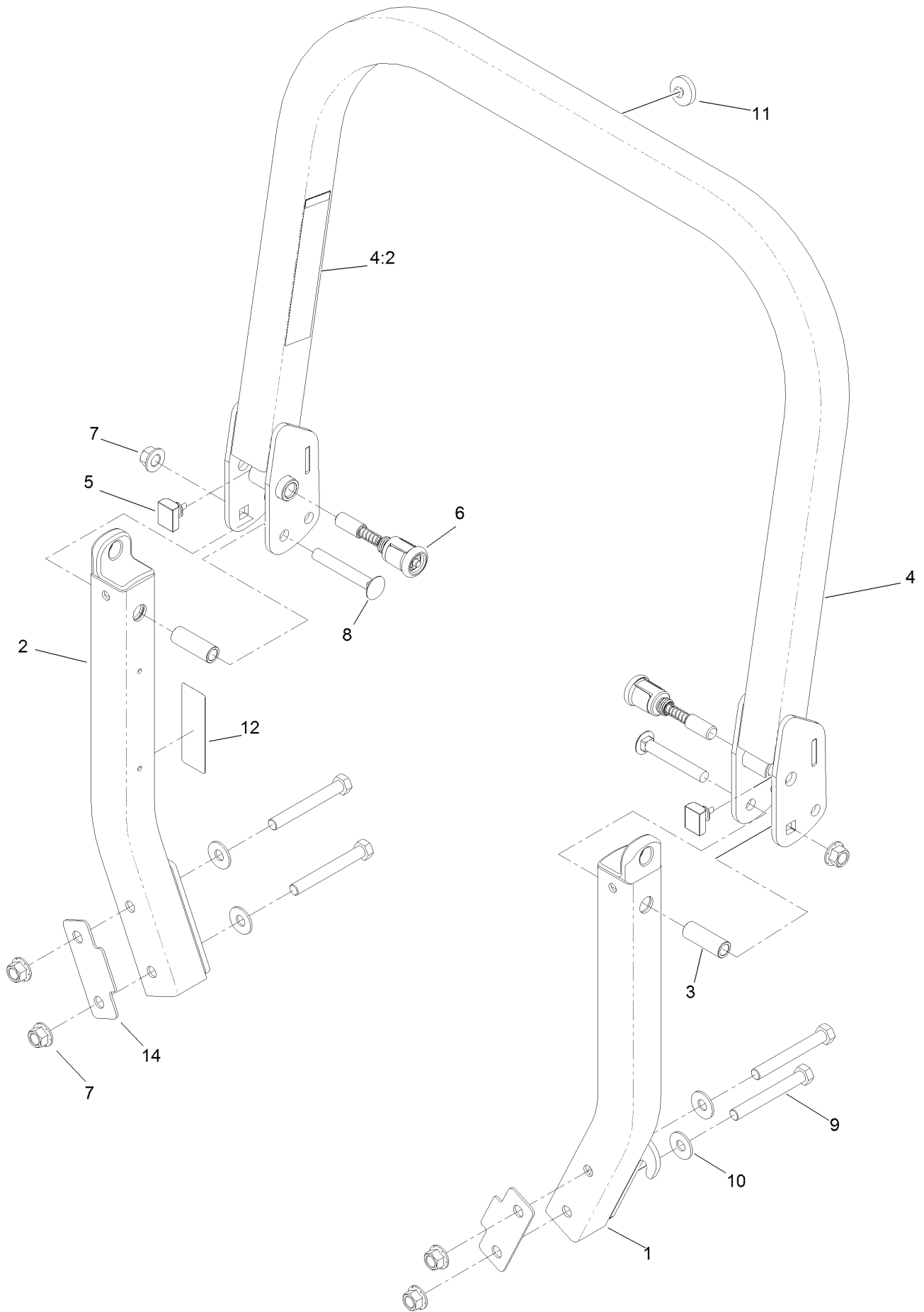


Frame and Caster Wheel Assembly (continued)

| <i>Ref.</i> | <i>Part Number</i> | <i>Qty.</i> | <i>Description</i> | <i>Ref.</i> | <i>Part Number</i> | <i>Qty.</i> | <i>Description</i> |
|-------------|--------------------|-------------|---------------------------------|-------------|--------------------|-------------|----------------------|
| 1 | 1-513658 | 2 | Bumper | 13:7 | 127-0335 | 1 | Decal-Warning, Slope |
| 4 | 104-8301 | 10 | Nut-Flange, NI | 13:8 | 116-4858 | 1 | Decal-Spark Arrester |
| 6 | 116-6380 | 2 | Bumper-Rubber (W/ Stud) | 13:9 | 117-1158 | 2 | Decal-Bypass |
| 7 | 109-9869 | 1 | Bumper-Rear, LH | 14 | 120-7896-03 | 1 | Guard-Muffler |
| 7:2 | 106-5517 | 1 | Decal-Warning, Hot Surface | 15 | | 2 | Caster Wheel ASM ● |
| 8 | 116-8898-01 | 1 | Floorpan | 16 | 119-2691 | 1 | Rear Guard ASM |
| 9 | 116-0508-03 | 1 | Bumper-Rear, RH | 16:2 | 67-7320 | 1 | Decal |
| 10 | 121-4780 | 1 | RH Motion Control Cover ASM | 17 | 107-3154 | 2 | Nut-Push |
| 10:2 | 99-8936 | 1 | Decal-Control, Motion | 18 | 3231-22 | 7 | Screw-CARR |
| 10:3 | 116-5988 | 1 | Decal-Park Brake, Ce | 19 | 3231-25 | 3 | Bolt-CARR |
| 11 | 121-4789 | 1 | Motion Control Cover ASM | 21 | 32144-10 | 4 | Screw-HWH |
| 11:2 | 99-8936 | 1 | Decal-Control, Motion | 22 | 1-811010 | 2 | Plug |
| 12 | 116-0231 | 1 | ROPS ASM | 23 | 120-3265 | 1 | Grommet |
| 13 | 117-8581 | 1 | Frame ASM | 24 | 119-2607-03 | 1 | Guard-Muffler, Side |
| 13:2 | 68-3640 | 1 | Decal | 30 | 3234-21 | 2 | Screw-HHF |
| 13:4 | 117-3864 | 1 | Decal-Fuel Fill, Ce | 31 | 104-7201 | 4 | Nut-HF |
| 13:5 | 120-5891 | 2 | Decal | 32 | 121-4773-01 | 2 | Weight |
| 13:6 | 106-2655 | 2 | Decal-Hazard, Pinched Finger | | | | |

● Not serviced separately

Roll-Over Protection System Assembly No. 116-0231

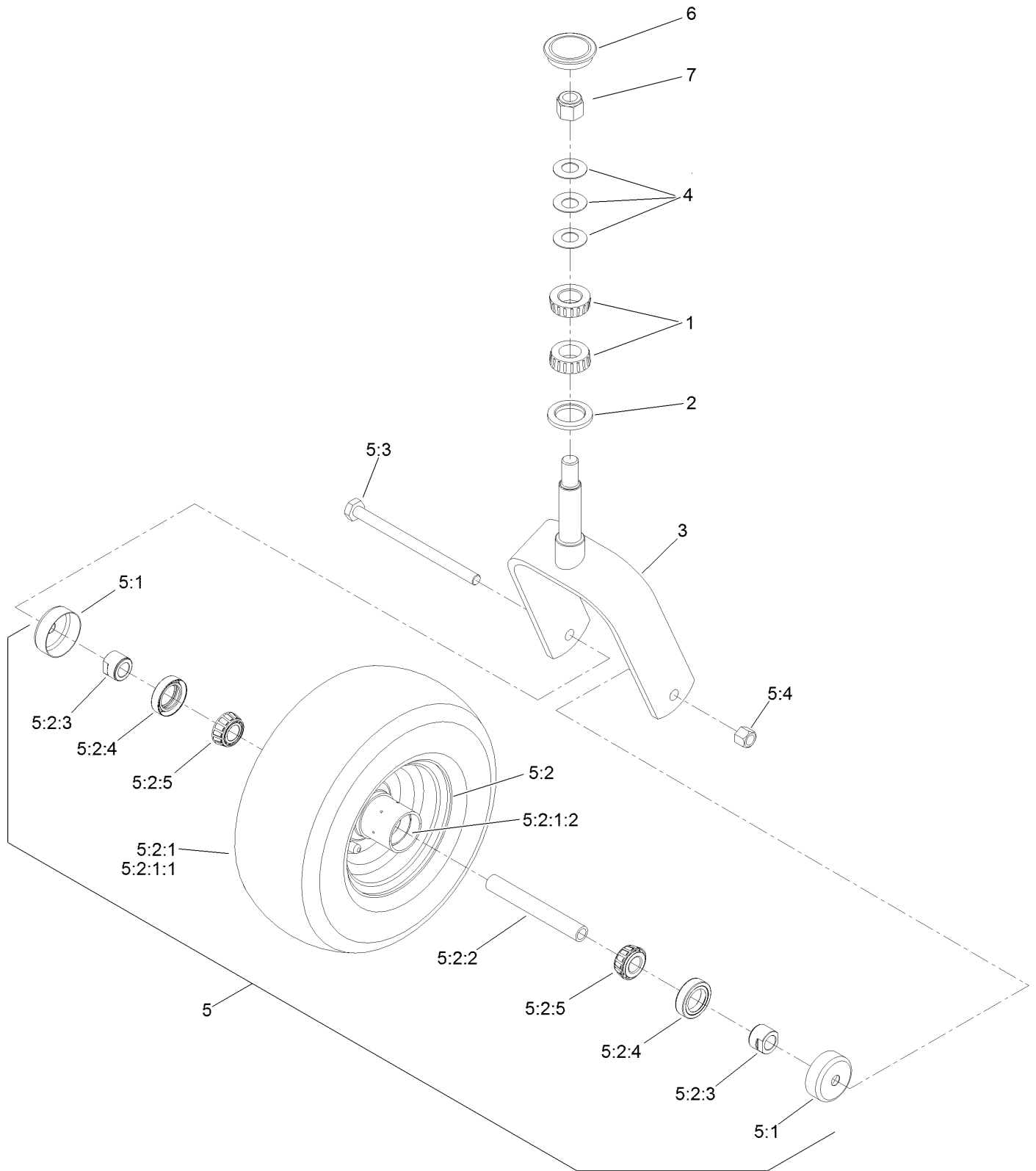


Roll-Over Protection System Assembly No. 116-0231 (continued)

| <i>Ref.</i> | <i>Part Number</i> | <i>Qty.</i> | <i>Description</i> | <i>Ref.</i> | <i>Part Number</i> | <i>Qty.</i> | <i>Description</i> |
|-------------|--------------------|-------------|--------------------------------|-------------|--------------------|-------------|--------------------------|
| 1 | | 1 | Leg-ROPS, LH ● | 7 | 99-5107 | 6 | Nut-Lock |
| 2 | | 1 | Leg-ROPS, RH ● | 8 | 3233-10 | 2 | Screw-CARR |
| 3 | 109-6653 | 2 | Spacer | 9 | 325-35 | 4 | Screw-HH |
| 4 | | 1 | Upper ROPS ASM ● | 10 | 109-9505 | 4 | Washer-Spring |
| 4:2 | 107-3069 | 1 | Decal-Warning, Folding ROPS | 11 | 109-9233 | 1 | Bumper-Push-In, Rubber |
| 5 | 109-5337 | 2 | Bumper-ROPS | 12 | 117-0346 | 1 | Decal-Caution, Fuel Vent |
| 6 | 116-0104 | 2 | Pin-Spring | 14 | 116-0960 | 2 | Spacer |

● Not serviced separately

Caster Fork and Wheel Assembly

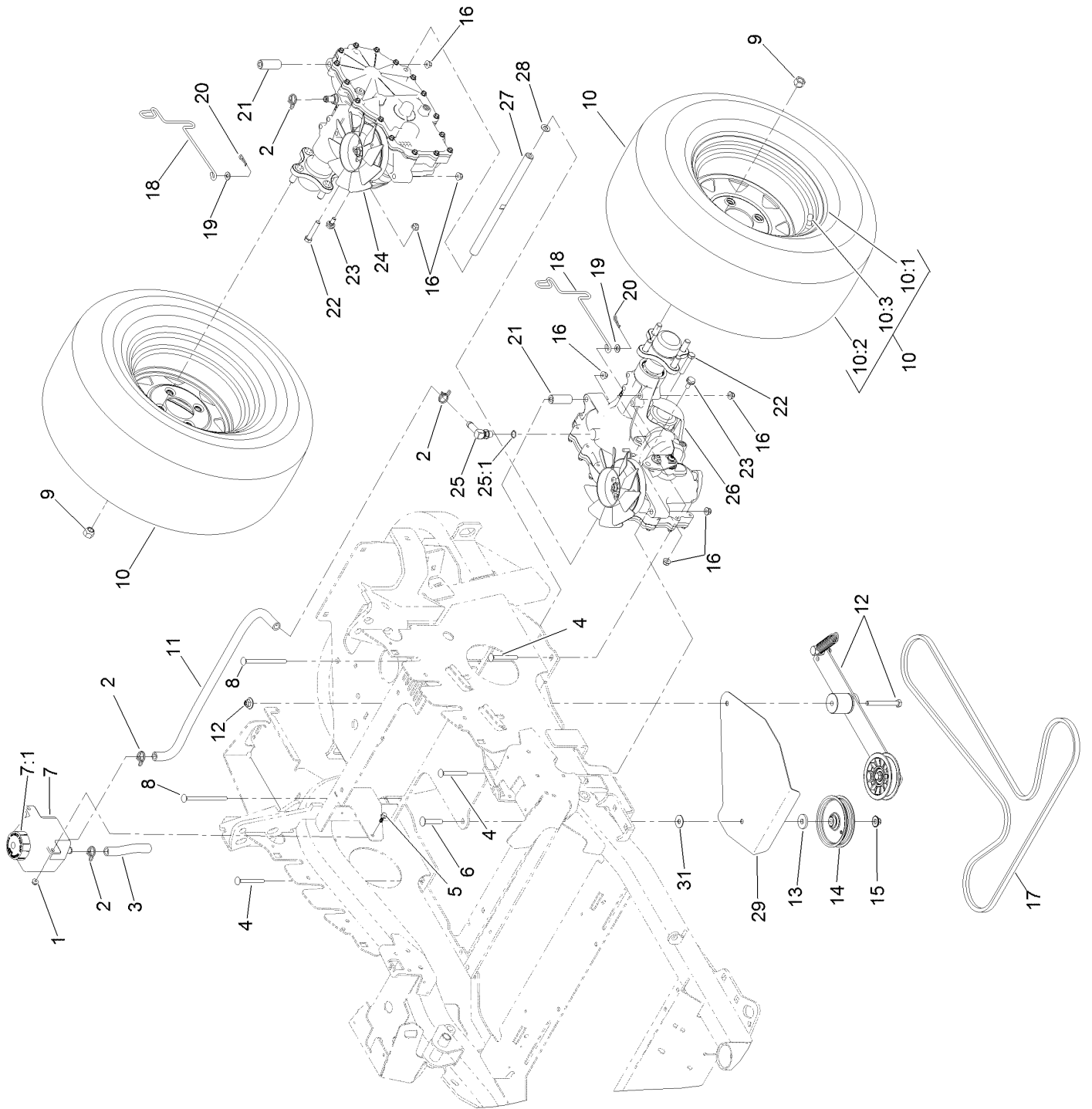


Caster Fork and Wheel Assembly (continued)

| <i>Ref.</i> | <i>Part Number</i> | <i>Qty.</i> | <i>Description</i> | <i>Ref.</i> | <i>Part Number</i> | <i>Qty.</i> | <i>Description</i> |
|-------------|--------------------|-------------|-------------------------|-------------|--------------------|-------------|---------------------|
| 1 | 1-543509 | 2 | Bearing-Roller, Tapered | 5:2:1:2 | 1-633584 | 2 | Bearing-Cup |
| 2 | 116-5647 | 1 | Seal-Grease | 5:2:2 | 103-3155 | 1 | Axle-Caster |
| 3 | 116-6701-01 | 1 | Fork-Caster | 5:2:3 | 103-3051 | 2 | Spacer-Nut |
| 4 | 1-633508 | 3 | Washer-Bellville | 5:2:4 | 103-0063 | 2 | Seal-Caster |
| 5 | 127-9535 | 1 | Wheel And Axle ASM | 5:2:5 | 1-633585 | 2 | Bearing-Cone, Taper |
| 5:1 | 103-2768 | 2 | Guard-Seal | 5:3 | 325-36 | 1 | Screw-HH |
| 5:2 | | 1 | Wheel And Bearing ASM ● | 5:4 | 3296-23 | 1 | Nut-Lock, NI |
| 5:2:1 | | 1 | Wheel And Tire ASM ● | 6 | 103-4882 | 1 | Cap-Grease |
| 5:2:1:1 | 1-633002 | 1 | Tire | 7 | 3296-51 | 1 | Nut-Lock, NI |

● Not serviced separately

Hydro Drive System Assembly

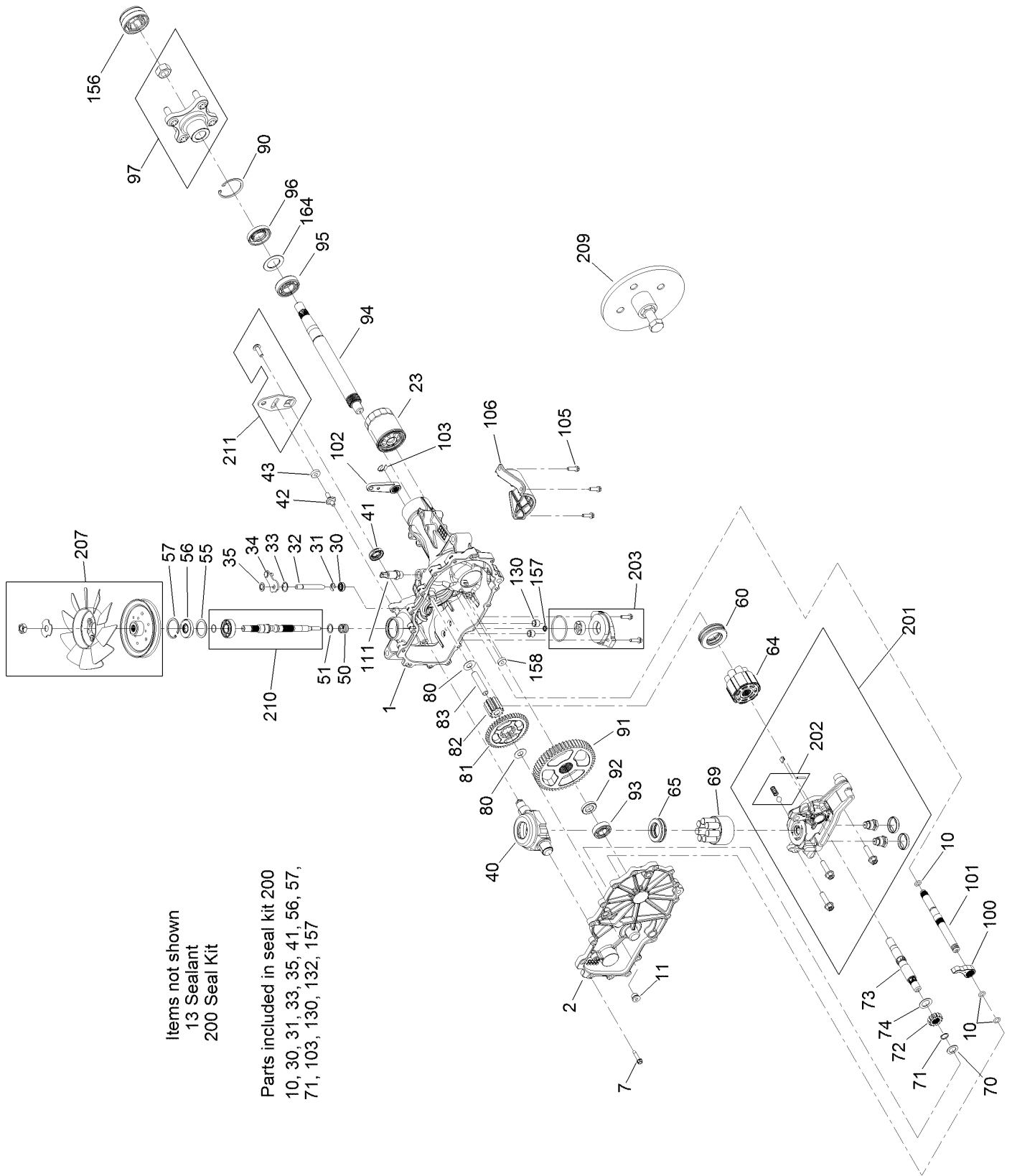


Hydro Drive System Assembly (continued)

| <i>Ref.</i> | <i>Part Number</i> | <i>Qty.</i> | <i>Description</i> | <i>Ref.</i> | <i>Part Number</i> | <i>Qty.</i> | <i>Description</i> |
|-------------|--------------------|-------------|-----------------------|-------------|--------------------|-------------|--------------------|
| 1 | 104-7201 | 2 | Nut-HF | 15 | 109-6658 | 1 | Nut-Flange, NI |
| 2 | 117-1193 | 4 | Clamp-Hose | 16 | 104-8300 | 10 | Nut-Flange, NI |
| 3 | 119-2642 | 1 | Hose-HYD | 17 | 114860 | 1 | Belt-V |
| 4 | 3230-9 | 6 | Screw-CARR | 18 | 125-8950 | 2 | Rod-Bypass |
| 5 | 99-6810 | 2 | Screw-HHF | 19 | 3256-23 | 2 | Washer-Flat |
| 6 | 117-9971 | 1 | Bolt-Carriage | 20 | 1-806003 | 2 | Pin-Cotter |
| 7 | 109-2250 | 1 | Vent-Tank, Hydro | 21 | 109-3652 | 2 | Spacer-Hydro |
| 7:1 | 109-3320 | 1 | Cap-Reservoir, HYD | 22 | 94-7972 | 2 | Screw-HH W/Loctite |
| 8 | 3230-30 | 2 | Screw-CARR | 23 | 37-8771 | 2 | Bolt-Shoulder |
| 9 | 242-50 | 8 | Nut-Lug | 24 | 130-2850 | 1 | RH Transaxle ASM |
| 10 | 127-9504 | 2 | Wheel And Tire ASM | 25 | 109-6449 | 1 | Fitting-Elbow, 90 |
| 10:1 | 127-9505 | 1 | Wheel | 25:1 | 237-42 | 1 | O-Ring |
| 10:2 | 120-3271 | 1 | Tire | 26 | 130-2851 | 1 | LH Transaxle ASM |
| 10:3 | 232-27 | 1 | Stem-Valve | 27 | 117-8585 | 1 | Shaft-Cross, Hydro |
| 11 | 119-2689 | 1 | Hose-HYD | 28 | 3256-24 | 1 | Washer-Flat |
| 12 | | 1 | Hydro Idler Arm ASM ● | 29 | 125-4777-01 | 1 | Plate-Guard |
| 13 | 1-373034 | 1 | Washer | 31 | 52-2860 | 1 | Washer |
| 14 | 93-1622 | 1 | Pulley-Idler | | | | |

● Not serviced separately

RH Transaxle Assembly No. 130-2850



Items not shown
 13 Sealant
 200 Seal Kit

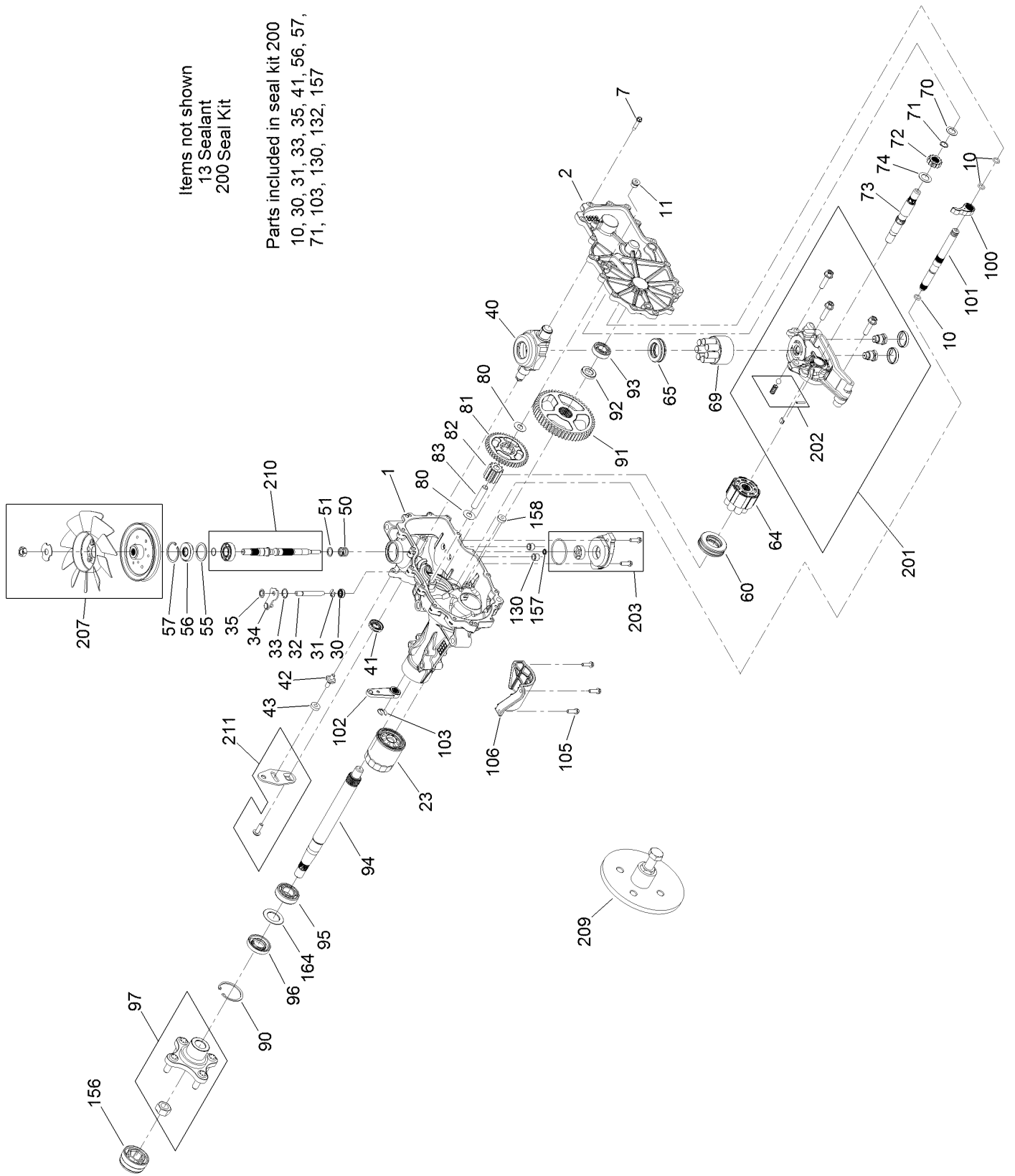
Parts included in seal kit 200
 10, 30, 31, 33, 35, 41, 56, 57,
 71, 103, 130, 132, 157

RH Transaxle Assembly No. 130-2850 (continued)

| <i>Ref.</i> | <i>Part Number</i> | <i>Qty.</i> | <i>Description</i> | <i>Ref.</i> | <i>Part Number</i> | <i>Qty.</i> | <i>Description</i> |
|-------------|--------------------|-------------|---------------------------------|-------------|--------------------|-------------|---------------------|
| 1 | 121-3231 | 1 | RH Main Housing Kit | 80 | 94-1933 | 2 | Washer |
| 2 | 121-3232 | 1 | RH Side Cover Kit | 81 | 120-7973 | 1 | Gear-46T |
| 7 | 117-5359 | 16 | Screw-HHF | 82 | 120-7974 | 1 | Gear-11T |
| 10 | 130-8483 | 4 | O-Ring | 83 | 104-5329 | 1 | Pin-Jackshaft |
| 11 | 104-2189 | 1 | Plug-Thread, Straight | 90 | 104-2169 | 1 | Ring-Retaining |
| 13 | 104-2147 | 1 | Sealant ● | 91 | 121-3237 | 1 | Gear-54T |
| 23 | 109-3321 | 1 | Element-Oil Filter, HYD | 92 | 120-7975 | 1 | Spacer |
| 30 | 106-8676 | 1 | Seal-Lip | 93 | 130-8476 | 1 | Bearing-Ball |
| 31 | 106-8677 | 1 | Ring-Retaining, EXT | 94 | 121-3238 | 1 | Shaft-Axle |
| 32 | 114-1685 | 1 | Rod-Bypass | 95 | 130-8477 | 1 | Bearing-Ball |
| 33 | 106-8679 | 1 | Ring-Retaining, Int | 96 | 130-8478 | 1 | Seal-Lip |
| 34 | 107-2490 | 1 | Arm-Bypass | 97 | 109-5939 | 1 | Hub Kit |
| 35 | 106-8681 | 1 | Ring-Retaining, EXT | 100 | 114-1697 | 1 | Pawl-Brake |
| 40 | 104-5304 | 1 | Swashplate-Trunnion | 101 | 130-8479 | 1 | Shaft-Brake |
| 41 | 104-5313 | 1 | Seal-Lip | 102 | 125-0021 | 1 | Handle-Brake |
| 42 | 104-2116 | 1 | Stud | 103 | 130-8484 | 1 | Ring-Retaining, EXT |
| 43 | 112-9853 | 1 | Puck-Friction | 105 | 104-2120 | 3 | Screw |
| 50 | 120-5537 | 1 | Spring-Compression | 106 | 120-7981 | 1 | Guard-Filter, RH |
| 51 | 120-5538 | 1 | Washer | 111 | 109-3278 | 1 | Adapter-Straight |
| 55 | 104-5308 | 1 | Spacer | 130 | 130-8485 | 2 | Tube-Push, O-Ring |
| 56 | 104-5310 | 1 | Seal-Lip | 156 | 115-5057 | 1 | Cover-Nut, Axle |
| 57 | 104-5309 | 1 | Ring-Retaining | 157 | 130-8486 | 1 | Seal-Gerotor |
| 60 | 109-2865 | 1 | Bearing-Thrust | 158 | 104-5330 | 1 | Magnet-Ring |
| 64 | 114-1689 | 1 | Motor Cylinder Block Kit | 164 | 130-8480 | 1 | Spacer |
| 65 | 121-3235 | 1 | Bearing-Thrust, Plastic Cage | 200 | 121-3243 | 1 | Seal Kit |
| 69 | 121-3236 | 1 | 7 Piston Block ASM | 201 | 130-8481 | 1 | Center Section Kit |
| 70 | 104-5339 | 1 | Washer-Flat | 202 | 114-8464 | 1 | Charge Relief Kit |
| 71 | 104-5340 | 1 | Ring-Retaining | 203 | 121-3246 | 1 | Charge Pump Kit |
| 72 | 120-7972 | 1 | Gear-13T | 207 | 121-3247 | 1 | Fan And Pulley Kit |
| 73 | 114-1691 | 1 | Shaft-Motor | 209 | 130-8482 | 1 | Hub Puller Kit |
| 74 | 104-5360 | 1 | Washer | 210 | 121-3248 | 1 | Input Shaft Kit |
| | | | | 211 | 117-5362 | 1 | Arm Control Kit |

● Not illustrated

LH Transaxle Assembly No. 130-2851



Items not shown
 13 Sealant
 200 Seal Kit

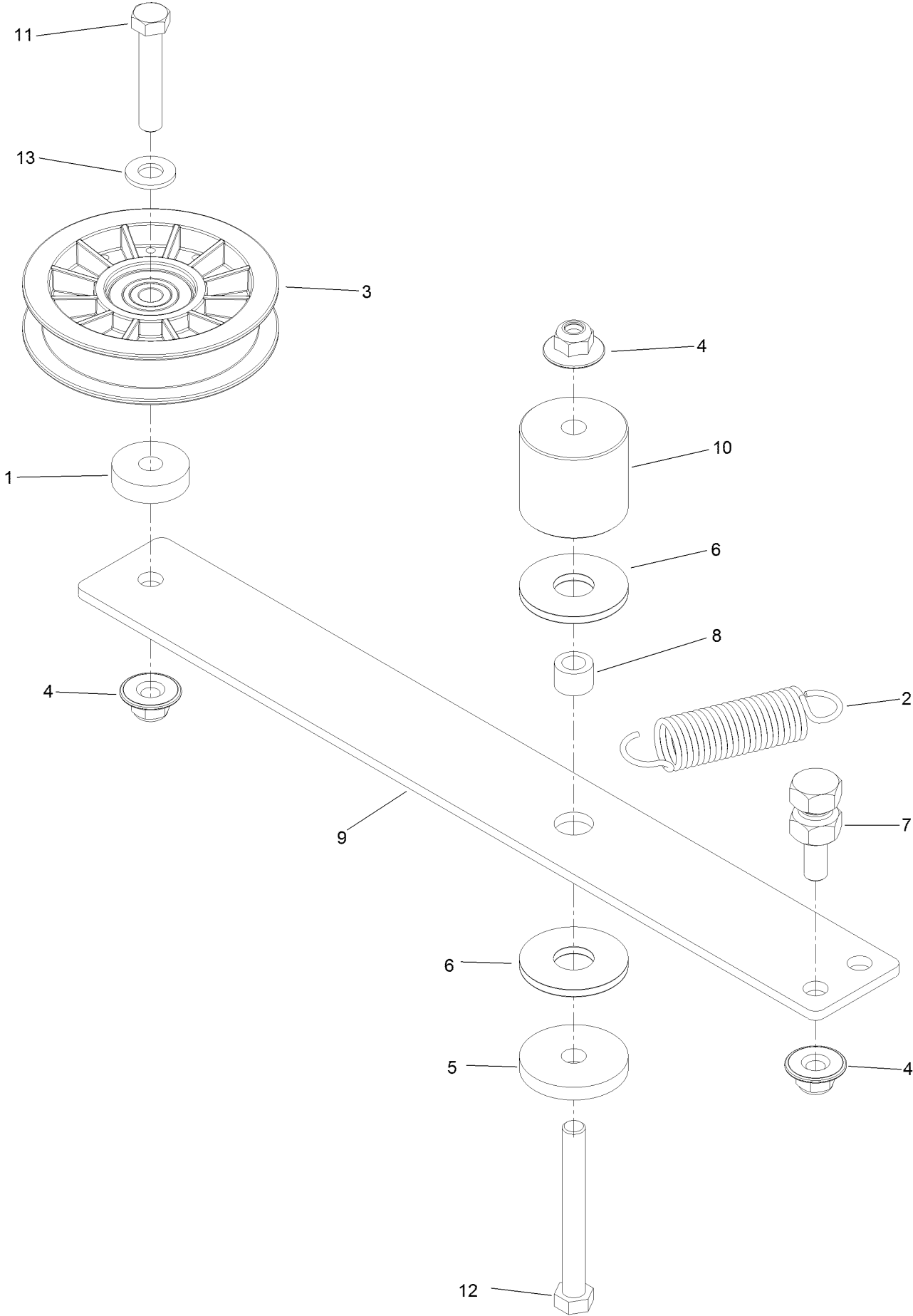
Parts included in seal kit 200
 10, 30, 31, 33, 35, 41, 56, 57,
 71, 103, 130, 132, 157

LH Transaxle Assembly No. 130-2851 (continued)

| <i>Ref.</i> | <i>Part Number</i> | <i>Qty.</i> | <i>Description</i> | <i>Ref.</i> | <i>Part Number</i> | <i>Qty.</i> | <i>Description</i> |
|-------------|--------------------|-------------|---------------------------------|-------------|--------------------|-------------|-----------------------------------|
| 1 | 121-3233 | 1 | LH Main Housing Kit | 80 | 94-1933 | 2 | Washer |
| 2 | 121-3234 | 1 | LH Side Cover Kit | 81 | 120-7973 | 1 | Gear-46T |
| 7 | 117-5359 | 16 | Screw-HHF | 82 | 120-7974 | 1 | Gear-11T |
| 10 | 130-8483 | 4 | O-Ring | 83 | 104-5329 | 1 | Pin-Jackshaft |
| 11 | 104-2189 | 1 | Plug-Thread, Straight | 90 | 104-2169 | 1 | Ring-Retaining |
| 13 | 104-2147 | 1 | Sealant ● | 91 | 121-3237 | 1 | Gear-54T |
| 23 | 109-3321 | 1 | Element-Oil Filter, HYD | 92 | 120-7975 | 1 | Spacer |
| 30 | 106-8676 | 1 | Seal-Lip | 93 | 130-8476 | 1 | Bearing-Ball |
| 31 | 106-8677 | 1 | Ring-Retaining, EXT | 94 | 121-3238 | 1 | Shaft-Axle |
| 32 | 114-1685 | 1 | Rod-Bypass | 95 | 130-8477 | 1 | Bearing-Ball |
| 33 | 106-8679 | 1 | Ring-Retaining, Int | 96 | 130-8478 | 1 | Seal-Lip |
| 34 | 107-2490 | 1 | Arm-Bypass | 97 | 109-5939 | 1 | Hub Kit |
| 35 | 106-8681 | 1 | Ring-Retaining, EXT | 100 | 114-1697 | 1 | Pawl-Brake |
| 40 | 104-5304 | 1 | Swashplate-Trunnion | 101 | 114-1698 | 1 | Shaft-Brake, Inboard |
| 41 | 104-5313 | 1 | Seal-Lip | 102 | 125-0021 | 1 | Handle-Brake |
| 42 | 104-2116 | 1 | Stud | 103 | 130-8484 | 1 | Ring-Retaining, EXT |
| 43 | 112-9853 | 1 | Stud-Friction | 105 | 104-2120 | 3 | Screw |
| 50 | 120-5537 | 1 | Spring-Compression | 106 | 120-7979 | 1 | Guard-Filter, LH |
| 51 | 120-5538 | 1 | Washer | 130 | 130-8485 | 2 | Tube-Push, O-Ring |
| 55 | 104-5308 | 1 | Spacer | 156 | 115-5057 | 1 | Cover-Nut, Axle |
| 56 | 104-5310 | 1 | Seal-Lip | 157 | 130-8486 | 1 | Seal-Gerotor |
| 57 | 104-5309 | 1 | Ring-Retaining | 158 | 104-5330 | 1 | Magnet-Ring |
| 60 | 109-2865 | 1 | Bearing-Thrust | 164 | 130-8480 | 1 | Spacer |
| 64 | 114-1689 | 1 | Motor Cylinder Block Kit | 200 | 121-3243 | 1 | Seal Kit |
| 65 | 121-3235 | 1 | Bearing-Thrust, Plastic Cage | 201 | 130-8487 | 1 | Kit-Center Section (LH Charge) |
| 69 | 121-3236 | 1 | 7 Piston Block ASM | 202 | 114-8464 | 1 | Charge Relief Kit |
| 70 | 104-5339 | 1 | Washer-Flat | 203 | 121-3246 | 1 | Charge Pump Kit |
| 71 | 104-5340 | 1 | Ring-Retaining | 207 | 121-3247 | 1 | Fan And Pulley Kit |
| 72 | 120-7972 | 1 | Gear-13T | 209 | 130-8482 | 1 | Hub Puller Kit |
| 73 | 114-1691 | 1 | Shaft-Motor | 210 | 121-3248 | 1 | Input Shaft Kit |
| 74 | 104-5360 | 1 | Washer | 211 | 117-5362 | 1 | Arm Control Kit |

● Not illustrated

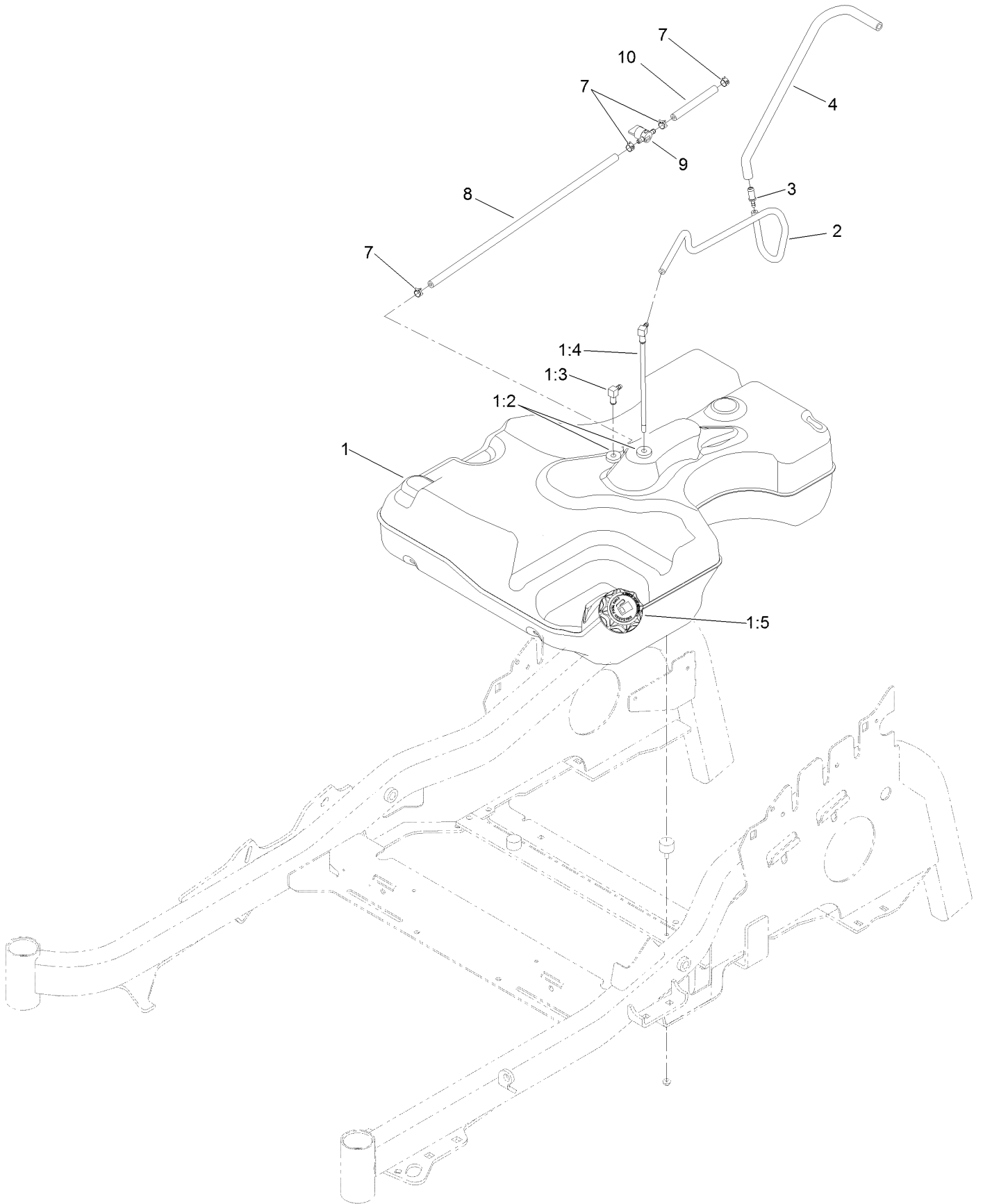
Hydro Idler Arm Assembly



Hydro Idler Arm Assembly (continued)

| <i>Ref.</i> | <i>Part Number</i> | <i>Qty.</i> | <i>Description</i> | <i>Ref.</i> | <i>Part Number</i> | <i>Qty.</i> | <i>Description</i> |
|-------------|--------------------|-------------|----------------------------|-------------|--------------------|-------------|--------------------|
| 1 | 105-7788 | 1 | Spacer | 8 | 115-4986 | 1 | Spacer |
| 2 | 108-4056 | 1 | Spring-Extension | 9 | 119-9914 | 1 | Arm-Idler, Hydro |
| 3 | 109-3397 | 1 | Pulley-Idler, Flat | 10 | 119-2657 | 1 | Spacer-Plain |
| 4 | 109-6658 | 3 | Nut-Flange, NI | 11 | 323-10 | 1 | Screw-HH |
| 5 | 110-9981 | 1 | Washer-Plain | 12 | 323-20 | 1 | Screw-HH |
| 6 | 114-0463 | 2 | Washer-Friction, Composite | 13 | 3256-24 | 1 | Washer-Flat |
| 7 | 114-5866 | 1 | Anchor-Spring, Short | | | | |

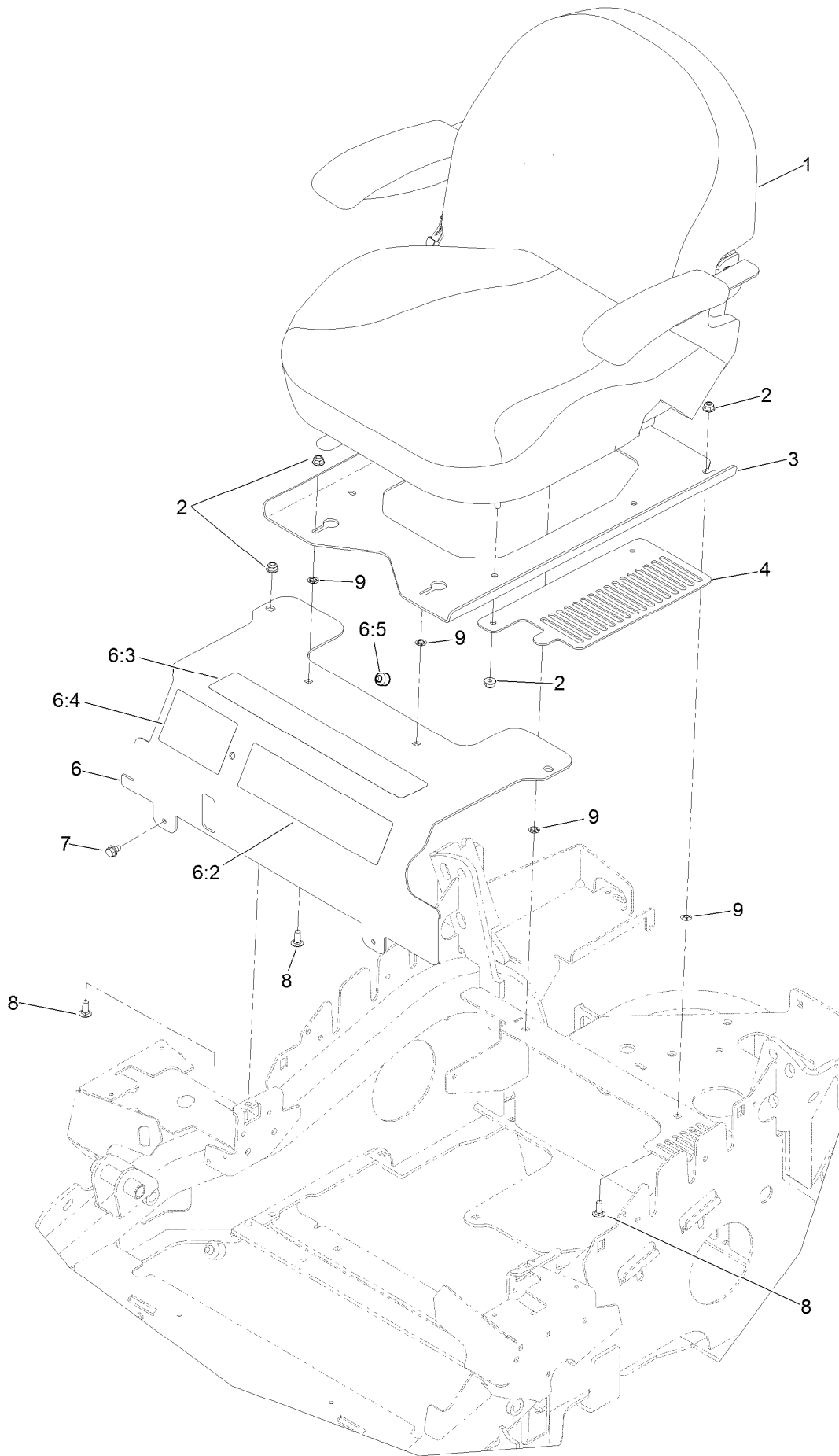
Fuel Tank and Hose Assembly



Fuel Tank and Hose Assembly (continued)

| <i>Ref.</i> | <i>Part Number</i> | <i>Qty.</i> | <i>Description</i> | <i>Ref.</i> | <i>Part Number</i> | <i>Qty.</i> | <i>Description</i> |
|-------------|--------------------|-------------|----------------------|-------------|--------------------|-------------|--------------------|
| 1 | 125-4765 | 1 | Fuel Tank ASM | 3 | 98-2952 | 1 | Fitting-Straight |
| 1:2 | 46-6560 | 2 | Bushing | 4 | 119-8562 | 1 | Hose-Fuel |
| 1:3 | 116-2288 | 1 | Fitting-90 Elbow | 7 | 2412-98 | 4 | Clamp-Hose |
| 1:4 | 125-4767 | 1 | Fuel Line ASM | 8 | 110-5701 | 1 | Hose-Fuel |
| 1:5 | 126-1789 | 1 | Cap-Fuel, Ratcheting | 9 | 1-603770 | 1 | Valve-Fuel |
| 2 | 119-6074 | 1 | Hose-Fuel | 10 | 109-0650 | 1 | Hose-Fuel |

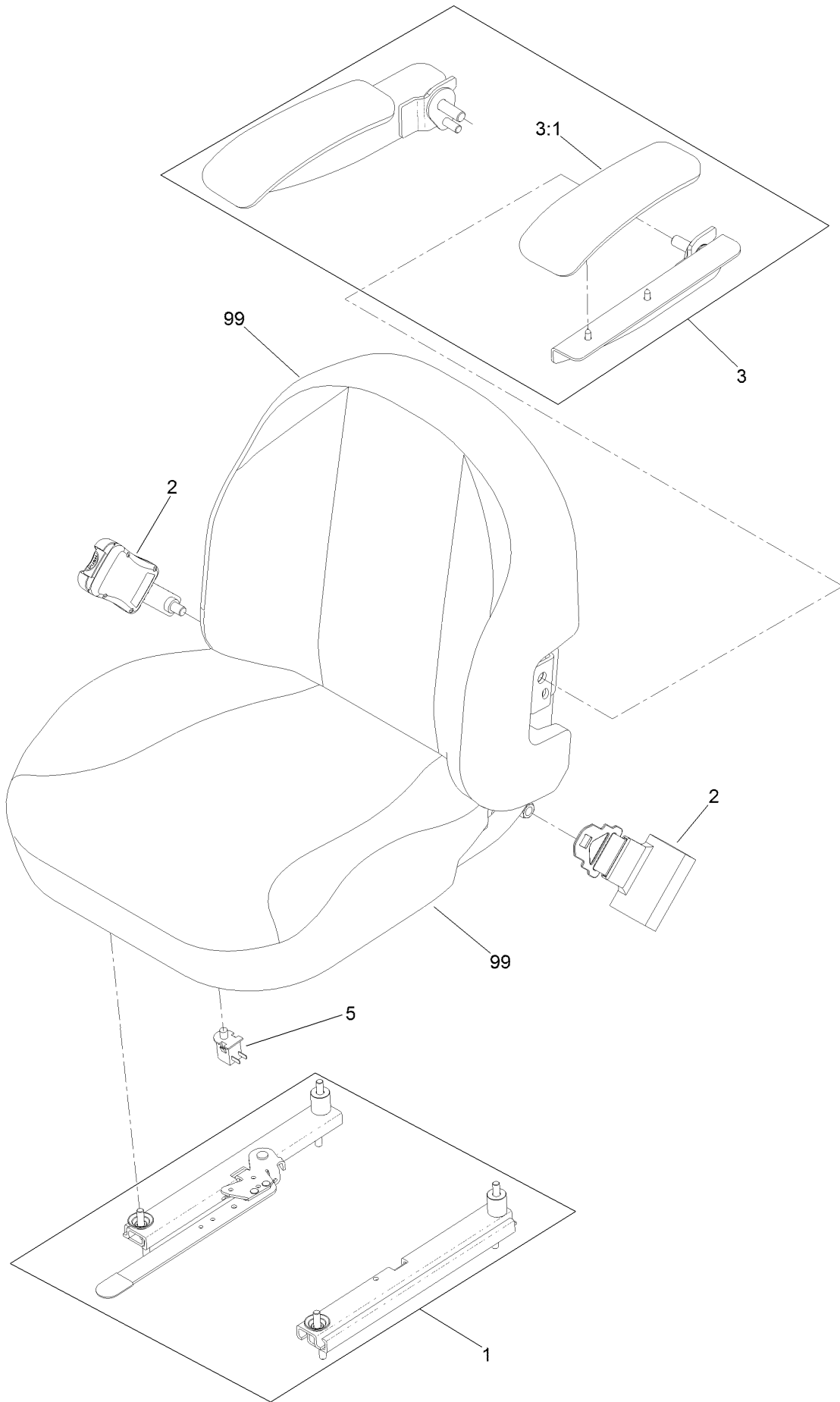
Seat Mounting Assembly



Seat Mounting Assembly (continued)

| <i>Ref.</i> | <i>Part Number</i> | <i>Qty.</i> | <i>Description</i> | <i>Ref.</i> | <i>Part Number</i> | <i>Qty.</i> | <i>Description</i> |
|-------------|--------------------|-------------|----------------------|-------------|--------------------|-------------|--------------------|
| 1 | 127-9538 | 1 | Seat ASM | 6:3 | 116-8722 | 1 | Decal-Console |
| 2 | 104-8300 | 10 | Nut-Flange, NI | 6:4 | 127-0325 | 1 | Decal-Service Aid |
| 3 | 117-8615-03 | 1 | Plate-Mount, Seat | 6:5 | 120-7893 | 1 | Bumper-Grommet |
| 4 | 117-8618-03 | 2 | Plate-Cover, Fan | 7 | 9266934 | 2 | Screw |
| 6 | 119-2597 | 1 | Seat Mount Panel ASM | 8 | 3230-23 | 6 | Screw-CARR |
| 6:2 | 114-5878 | 1 | Decal | 9 | 117-2749 | 4 | Nut-Push |

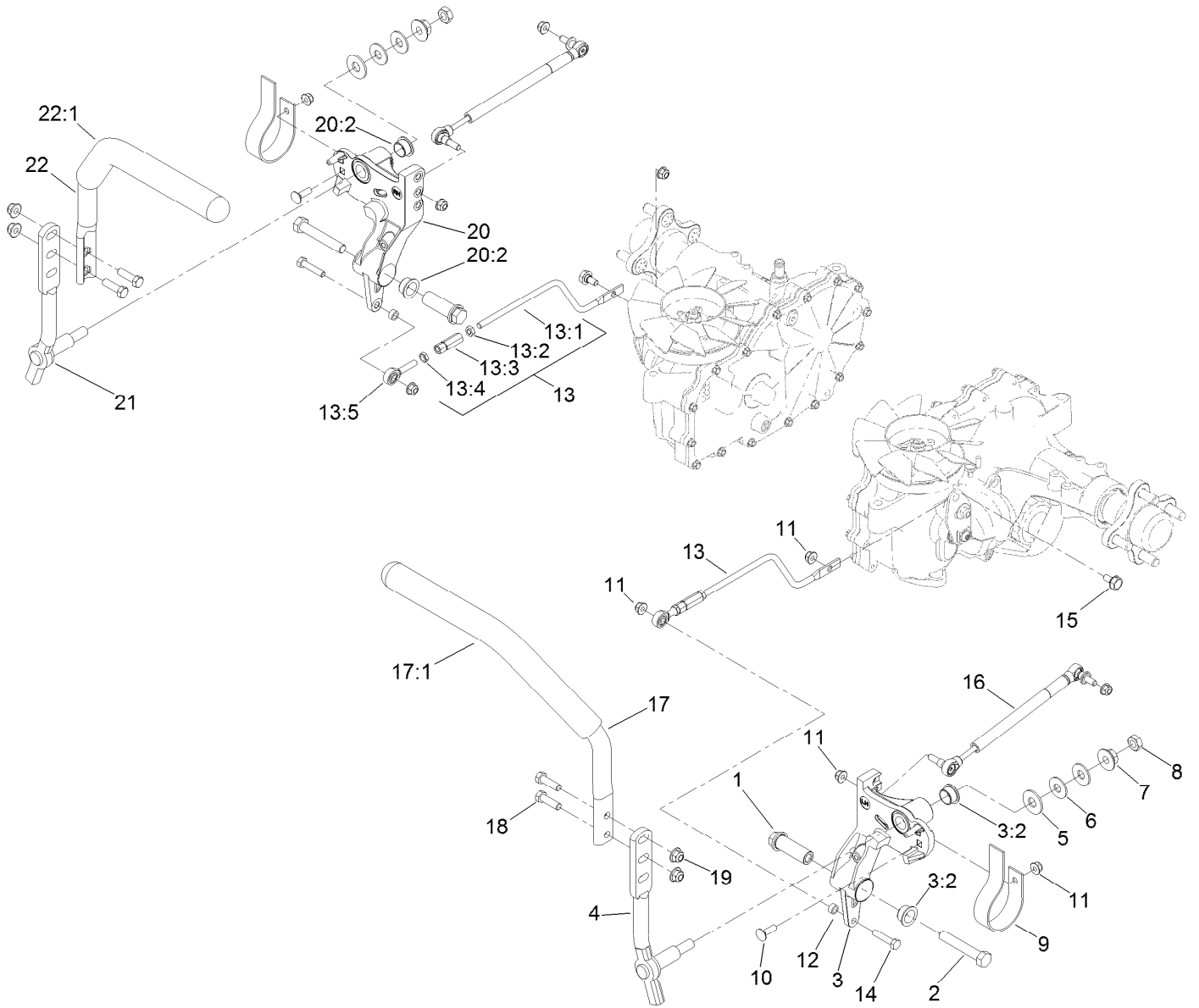
Seat Assembly No. 127-9538



Seat Assembly No. 127-9538 (continued)

| <i>Ref.</i> | <i>Part Number</i> | <i>Qty.</i> | <i>Description</i> | <i>Ref.</i> | <i>Part Number</i> | <i>Qty.</i> | <i>Description</i> |
|-------------|--------------------|-------------|--------------------|-------------|--------------------|-------------|--------------------|
| 1 | 130-2853 | 1 | Seat Track Kit | 5 | 82-2190 | 1 | Switch-Bail |
| 2 | 130-2854 | 1 | Seat Belt Kit | 99 | 130-2856 | 1 | Cover-Seat, Bottom |
| 3 | 126-2058 | 1 | Armrest Kit | 99 | 130-2855 | 1 | Cover-Seat, Back |
| 3:1 | 110-4163 | 2 | Cushion-Rest, Arm | | | | |

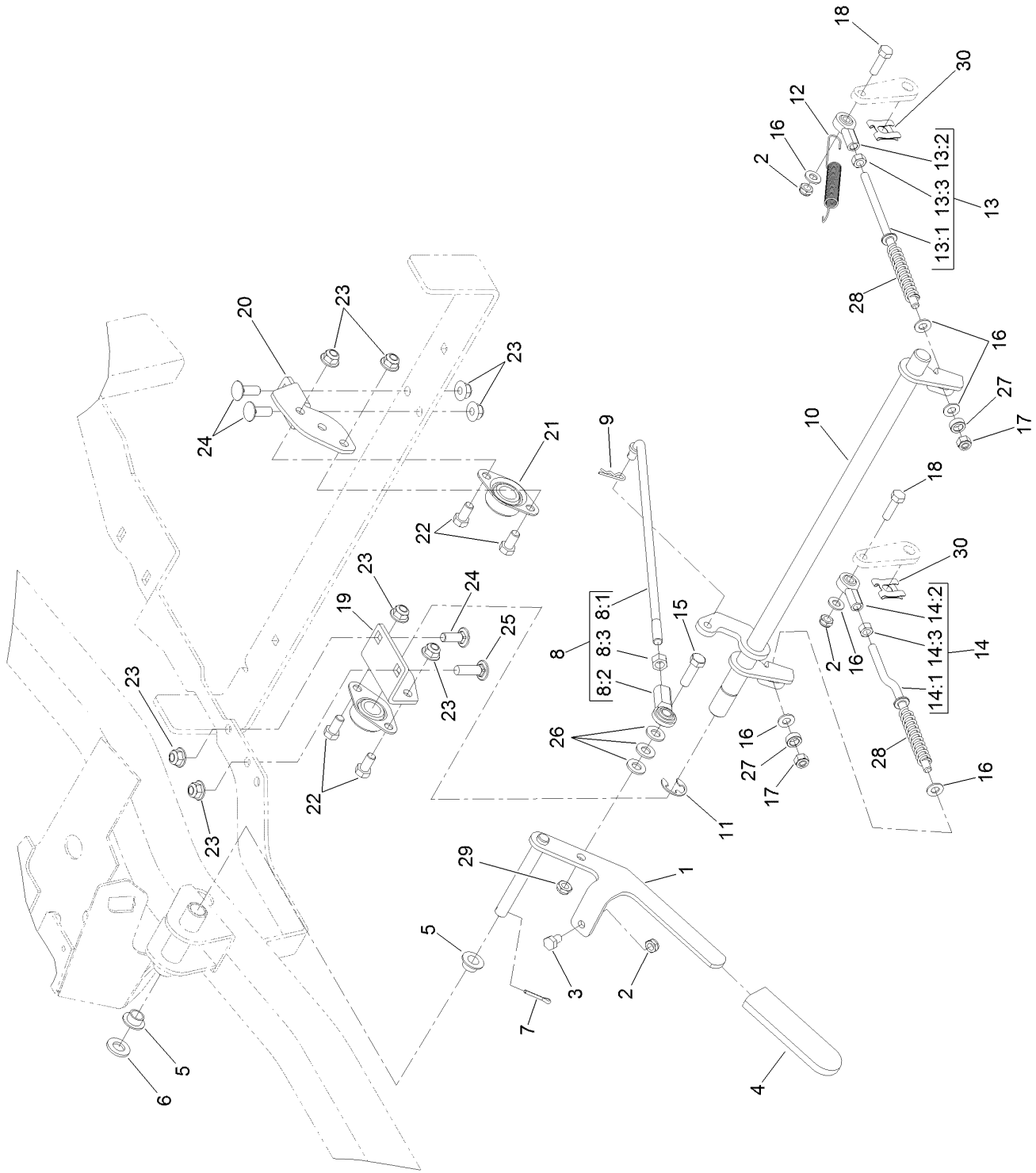
Motion Control Assembly



Motion Control Assembly (continued)

| <i>Ref.</i> | <i>Part Number</i> | <i>Qty.</i> | <i>Description</i> | <i>Ref.</i> | <i>Part Number</i> | <i>Qty.</i> | <i>Description</i> |
|-------------|--------------------|-------------|--------------------------------------|-------------|--------------------|-------------|--------------------------------------|
| 1 | 109-5891 | 2 | Hub-Threaded | 13:3 | 109-3728 | 1 | Nut-Rod Adjustment |
| 2 | 325-12 | 2 | Screw-HH | 13:4 | 3220-20 | 1 | Nut-Jam |
| 3 | 116-0881 | 1 | LH Motion Control And Bushing ASM | 13:5 | 2411-53 | 1 | Bearing-Rod End, LH |
| 3:2 | 109-8054 | 4 | Bushing-Flange | 14 | 322-7 | 2 | Screw-HH |
| 4 | 116-0040 | 1 | Lever-Control Motion, LH | 15 | 37-8771 | 2 | Bolt-Shoulder |
| 5 | 3256-6 | 2 | Washer-Flat | 16 | 116-0027 | 2 | Damper-Control, Motion |
| 6 | 109-9505 | 4 | Washer-Spring | 17 | 109-6590 | 1 | LH Steering Handle ASM |
| 7 | 32128-56 | 2 | Nut-HF | 17:1 | 109-5668 | 1 | Grip-Control, Lever |
| 8 | 3218-5 | 2 | Nut-Jam | 18 | 323-7 | 4 | Screw-HH |
| 9 | 109-5575 | 2 | Spring-Leaf | 19 | 104-8301 | 4 | Nut-Flange, NI |
| 10 | 3230-2 | 2 | Bolt-CARR | 20 | 116-0880 | 1 | RH Motion Control And Bushing ASM |
| 11 | 104-8300 | 10 | Nut-Flange, NI | 20:2 | 109-8054 | 4 | Bushing-Flange |
| 12 | 92-6998 | 2 | Spacer-Yoke, Right | 21 | 116-0039 | 1 | Lever-Control Motion, RH |
| 13 | 119-2605 | 2 | Hydro Control Rod ASM | 22 | 109-6589 | 1 | RH Steering Handle ASM |
| 13:1 | 119-2606 | 1 | Rod-Control, Hydro | 22:1 | 109-5668 | 1 | Grip-Control, Lever |
| 13:2 | 3220-2 | 1 | Nut-Jam | | | | |

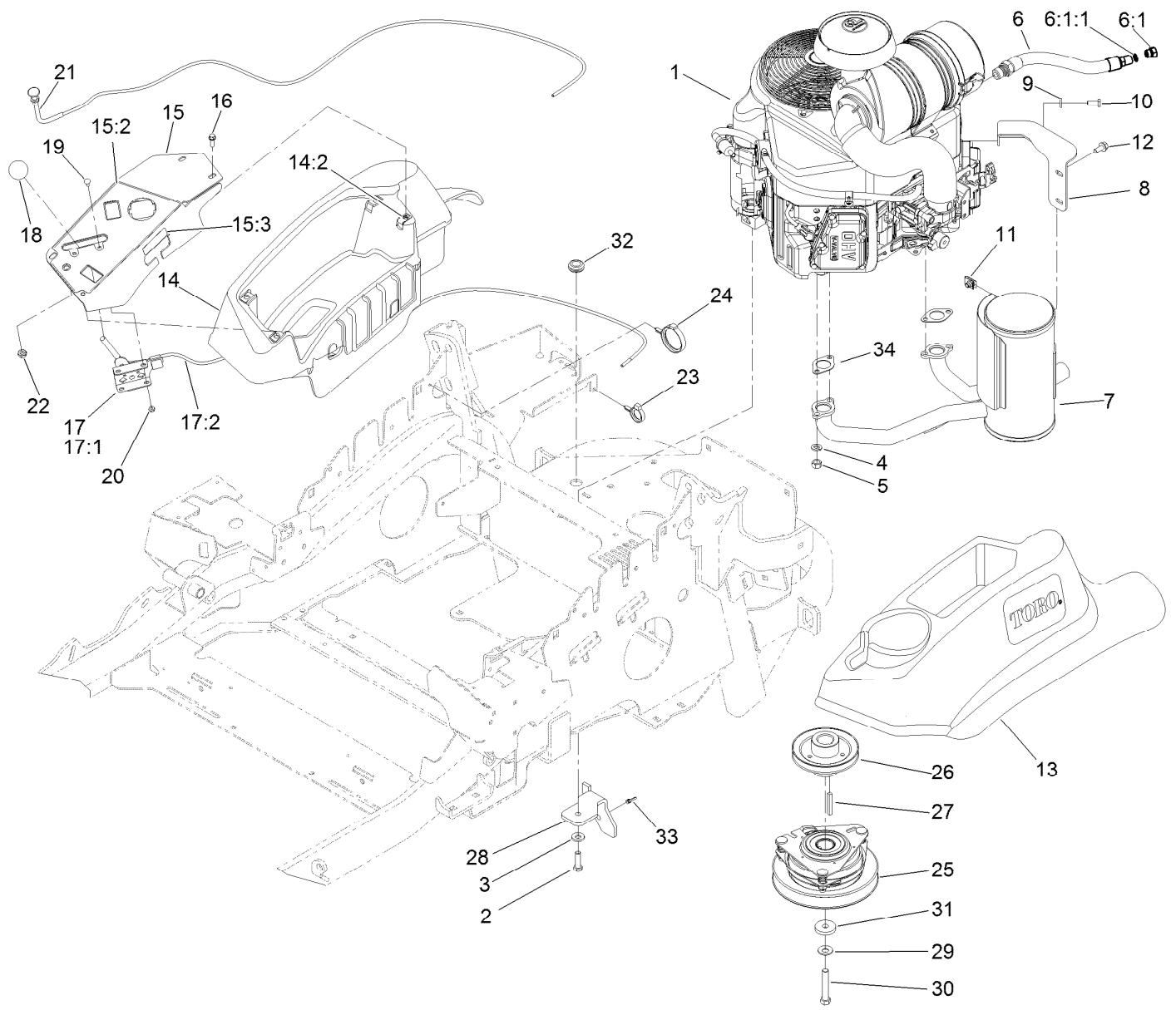
Parking Brake Assembly



Parking Brake Assembly (continued)

| <i>Ref.</i> | <i>Part Number</i> | <i>Qty.</i> | <i>Description</i> | <i>Ref.</i> | <i>Part Number</i> | <i>Qty.</i> | <i>Description</i> |
|-------------|--------------------|-------------|--------------------|-------------|--------------------|-------------|-------------------------|
| 1 | 121-4766-03 | 1 | Handle-Brake | 14:1 | 121-4770 | 1 | Rod-Brake |
| 2 | 3296-47 | 3 | Nut-Lock, NI | 14:2 | 1-543017 | 1 | Balljoint-RH |
| 3 | 322-1 | 1 | Screw-HH | 14:3 | 3219-2 | 1 | Nut-Hex |
| 4 | 1-633268 | 1 | Grip-Lever | 15 | 323-7 | 1 | Screw-HH |
| 5 | 1-513140 | 2 | Bearing-Control | 16 | 3256-23 | 6 | Washer-Flat |
| 6 | 106-9888 | 1 | Washer-Flat | 17 | 3296-4 | 2 | Nut-Lock |
| 7 | 3272-10 | 1 | Pin-Cotter | 18 | 322-16 | 2 | Screw-HH |
| 8 | 121-4807 | 1 | Brake Link ASM | 19 | 121-4761-01 | 1 | Bracket-Shaft Mount, RH |
| 8:1 | 121-4795 | 1 | Rod-Link, Brake | 20 | 121-4793-01 | 1 | Bracket-Shaft Mount, LH |
| 8:2 | 103-0608 | 1 | Joint-Ball, End | 21 | 1-633102 | 2 | Bearing-Flange, Side |
| 8:3 | 3219-3 | 1 | Nut-Hex | 22 | 323-4 | 4 | Screw-HH |
| 9 | 3290-307 | 1 | Pin-Cotter | 23 | 104-8301 | 8 | Nut-Flange, NI |
| 10 | 121-4804-03 | 1 | Shaft-Brake | 24 | 3231-22 | 3 | Screw-CARR |
| 11 | 32151-48 | 1 | E-Ring | 25 | 3231-28 | 1 | Screw-CARR |
| 12 | 110769 | 1 | Spring-Extension | 26 | 3256-24 | 3 | Washer-Flat |
| 13 | 121-4805 | 1 | LH Brake Rod ASM | 27 | 103-5677 | 2 | Spacer |
| 13:1 | 121-4755 | 1 | Rod-Brake | 28 | 1-603807 | 2 | Spring-Return, Neutral |
| 13:2 | 1-543017 | 1 | Balljoint-RH | 29 | 3296-59 | 1 | Nut-Lock, NI |
| 13:3 | 3219-2 | 1 | Nut-Hex | 30 | 114-8450 | 2 | Clip-Retaining |
| 14 | 121-4806 | 1 | RH Brake Rod ASM | | | | |

Engine, Muffler and Control Panel Assembly



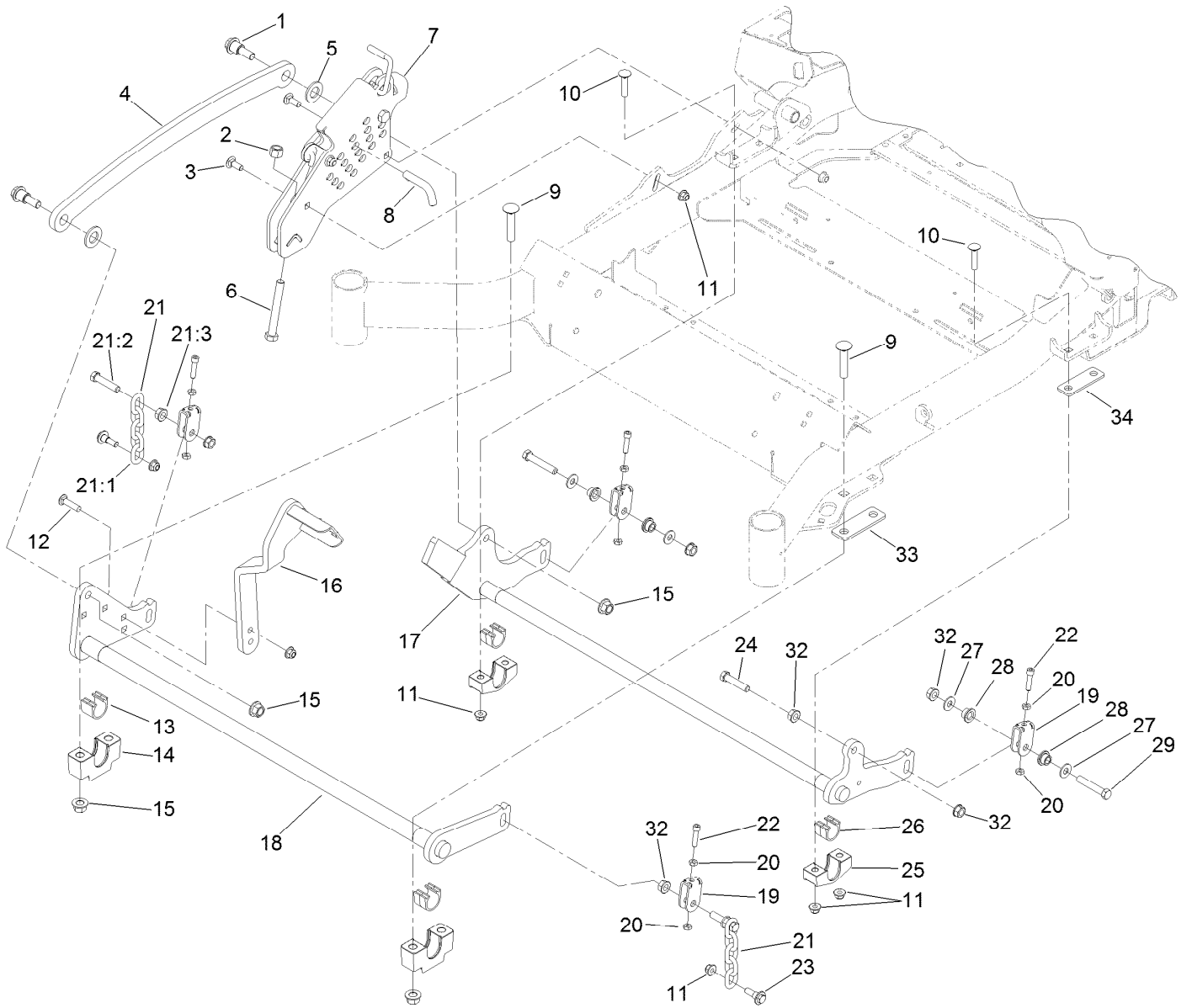
Engine, Muffler and Control Panel Assembly (continued)

| <i>Ref.</i> | <i>Part Number</i> | <i>Qty.</i> | <i>Description</i> | <i>Ref.</i> | <i>Part Number</i> | <i>Qty.</i> | <i>Description</i> |
|-------------|--------------------|-------------|-------------------------------------|-------------|--------------------|-------------|----------------------|
| 1 | | 1 | Engine-Kawasaki, Fx651V-S10-R ●■ | 16 | 32105-15 | 4 | Screw-HWH |
| 2 | 323-7 | 4 | Screw-HH | 17 | 110-5727 | 1 | Throttle Control ASM |
| 3 | 98-5975 | 4 | Washer-Belleville | 17:1 | 112-2334 | 1 | Lever-Throttle |
| 4 | 114-3550 | 4 | Washer-Lock, Spring | 17:2 | 110-5728 | 1 | Cable-Throttle |
| 5 | 114-3549 | 4 | Nut | 18 | 1-603175 | 1 | Knob-Ball |
| 6 | 116-4924 | 1 | Engine Oil Drain Hose ASM | 19 | 1-807513 | 2 | Bolt-CARR |
| 6:1 | 353-508 | 1 | Plug-HH | 20 | 3296-2 | 2 | Nut-Lock, NI |
| 6:1:1 | 237-42 | 1 | O-Ring | 21 | 115-2753 | 1 | Control-Choke |
| 7 | 119-2645 | 1 | Muffler | 22 | 3220-3 | 1 | Nut-HJ |
| 8 | 119-2659 | 1 | Bracket-Muffler | 23 | 105-1853 | 1 | Clamp-Hose |
| 9 | 1-303334 | 1 | Washer-Spring | 24 | 117-7817 | 1 | Clamp-Harness |
| 10 | 33114-020 | 1 | Screw-HH | 25 | 119-2595 | 1 | Clutch |
| 11 | 94-2413 | 2 | U-Nut | 26 | 119-9915 | 1 | Pulley-Engine |
| 12 | 3234-5 | 2 | Screw-HHF | 27 | 608006 | 1 | Key-Square |
| 13 | 119-2602 | 1 | LH Console ASM | 28 | 119-2658-01 | 1 | Bracket-Stop, Clutch |
| 14 | 119-2603 | 1 | RH Console ASM | 29 | 1-603610 | 1 | Washer-Spring |
| 14:2 | 107069 | 4 | Clip | 30 | 3212-10 | 1 | Screw-HH |
| 15 | 119-2694 | 1 | Control Panel ASM | 31 | 107-4136 | 1 | Washer |
| 15:2 | 119-2501 | 1 | Decal-Panel, Control | 32 | 112-7069 | 1 | Grommet |
| 15:3 | 114-4466 | 1 | Decal-Fuses | 33 | 1-303287 | 1 | Tie-Cable |
| | | | | 34 | 1-653313 | 2 | Gasket-Exhaust |

● Not serviced separately

■ Obtain parts from www.kawpowerepc.com

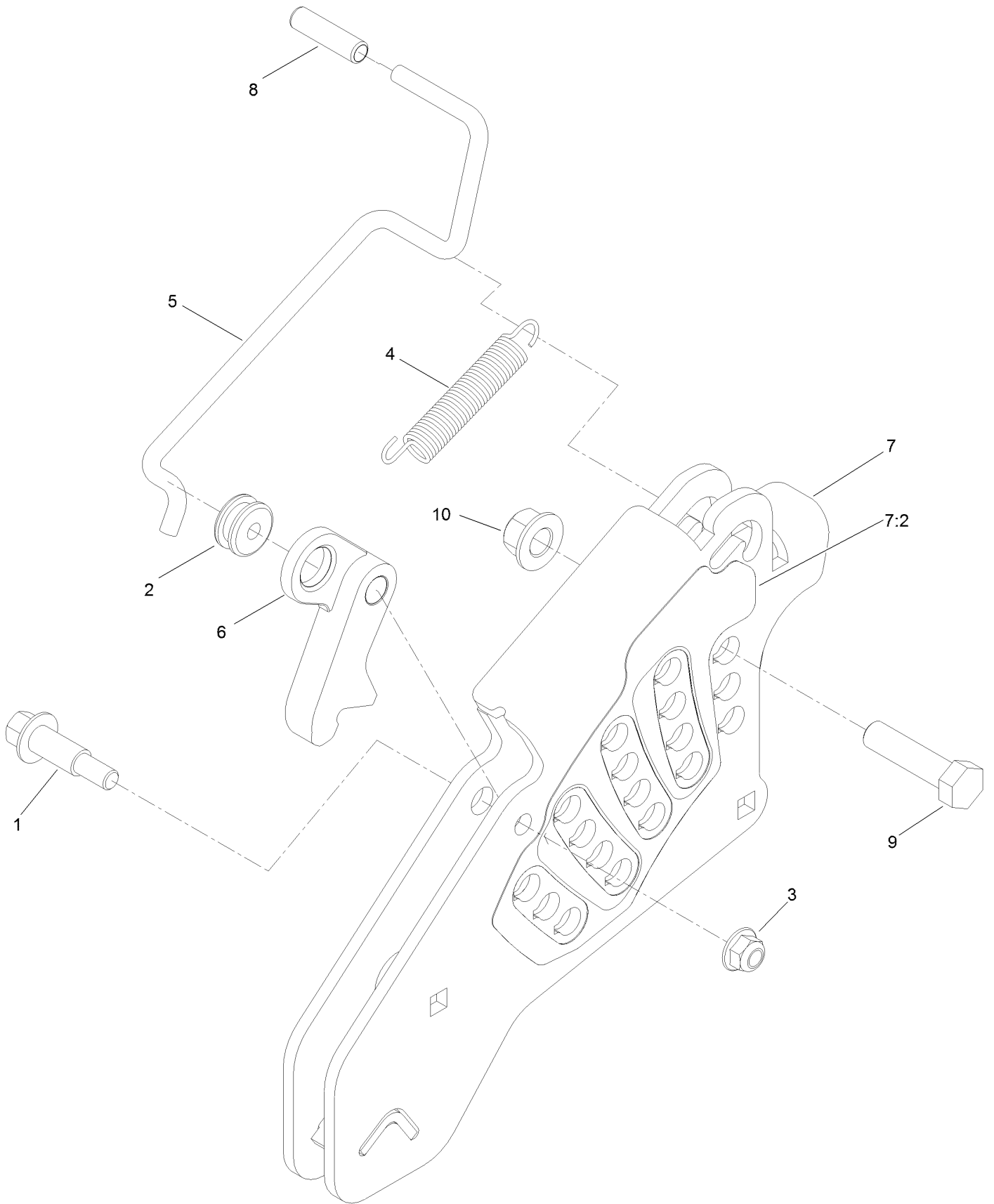
Deck Lift Assembly



Deck Lift Assembly (continued)

| <i>Ref.</i> | <i>Part Number</i> | <i>Qty.</i> | <i>Description</i> | <i>Ref.</i> | <i>Part Number</i> | <i>Qty.</i> | <i>Description</i> |
|-------------|--------------------|-------------|---------------------------------------|-------------|--------------------|-------------|--------------------------------------|
| 1 | 116-0780 | 2 | Screw-HHF, Shoulder | 19 | 109-9066 | 4 | Yoke-Adjust, Deck |
| 2 | 3296-23 | 1 | Nut-Lock, NI | 20 | 3218-2 | 8 | Nut-Jam |
| 3 | 3231-2 | 2 | Bolt-CARR | 21 | 116-0756 | 2 | Deck Lift Chain ASM |
| 4 | 116-0797-03 | 1 | Link-Lift, Deck | 21:1 | 1-633447 | 1 | Chain-Lift, Deck |
| 5 | 3256-28 | 2 | Washer-Flat | 21:2 | 109-9065 | 1 | Screw-HH |
| 6 | 116-0559 | 1 | Bolt-TAP | 21:3 | 32128-37 | 1 | Nut-HF |
| 7 | 120-2520 | 1 | HOC ASM | 22 | 322-47 | 4 | Screw-HH |
| 8 | 116-5584 | 1 | Pin-HOC | 23 | 109-9840 | 2 | Screw-Shoulder, HHF |
| 9 | 116-1700 | 4 | Bolt-CARR | 24 | 109-9065 | 1 | Screw-HH |
| 10 | 3231-5 | 4 | Screw-CARR | 25 | 116-0818-03 | 2 | Support-Cross Shaft, Rear Bearing |
| 11 | 104-8301 | 10 | Nut-Flange, NI | 26 | 109-7173 | 2 | Bearing-Cross Shaft, Rear |
| 12 | 3231-4 | 2 | Screw-CARR | 27 | 3256-4 | 4 | Washer-Flat |
| 13 | 109-9410 | 2 | Bearing-Cross Shaft, Front | 28 | 116-2428 | 4 | Bushing-Flanged |
| 14 | 109-9409 | 2 | Support-Cross Shaft, Front Bearing | 29 | 324-10 | 2 | Screw-HH |
| 15 | 99-5107 | 6 | Nut-Lock | 32 | 32128-37 | 6 | Nut-HF |
| 16 | 116-1919-01 | 1 | Lever-Foot | 33 | 121-7593-01 | 2 | Spacer-Decklift, Front |
| 17 | 116-0459-03 | 1 | Lift-Deck, Rear | 34 | 121-7594-01 | 2 | Spacer-Decklift, Back |
| 18 | 126-2475-03 | 1 | Decklift-Front | | | | |

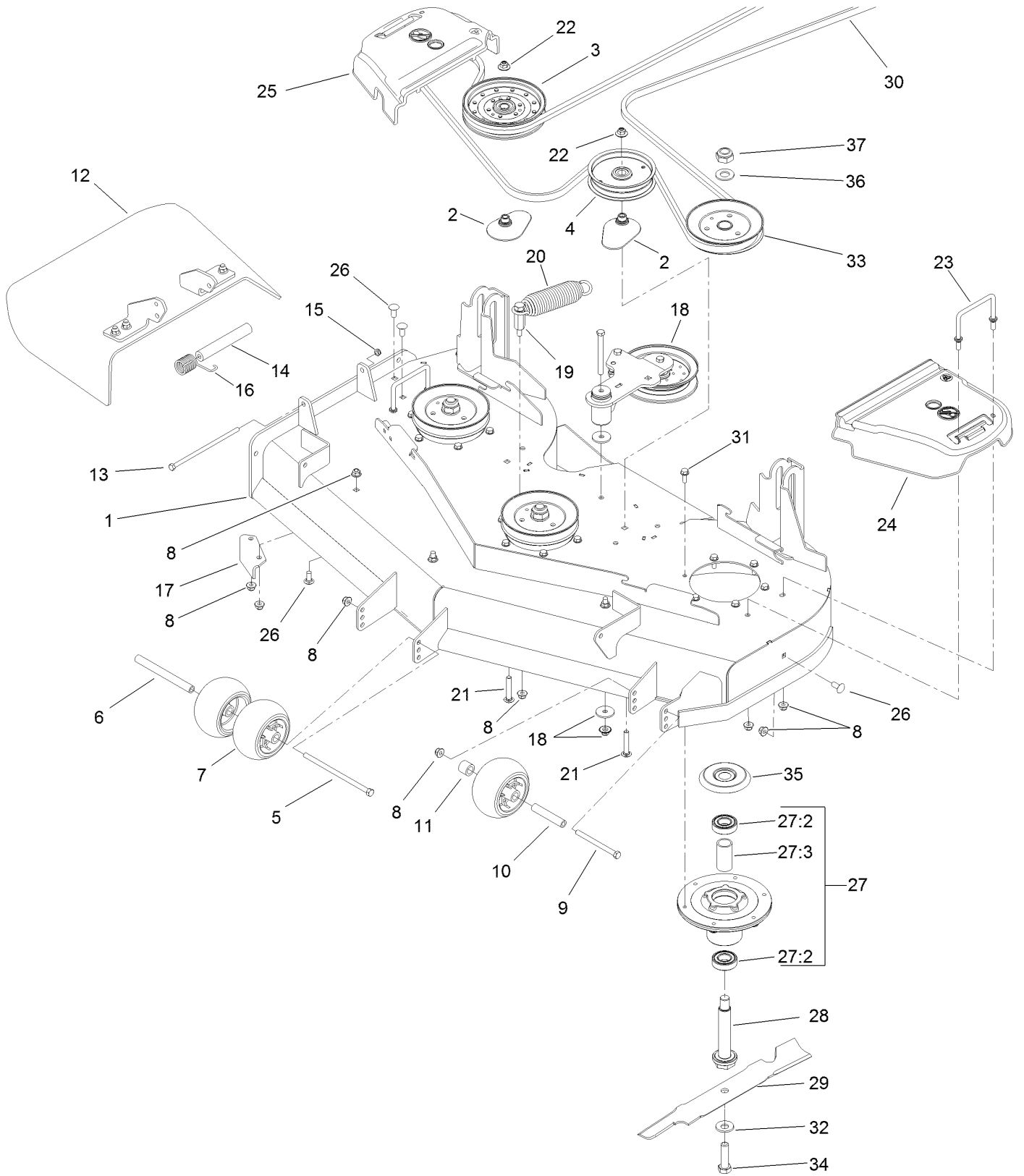
Height-of-Cut Assembly No. 120-2520



Height-of-Cut Assembly No. 120-2520 (continued)

| <i>Ref.</i> | <i>Part Number</i> | <i>Qty.</i> | <i>Description</i> | <i>Ref.</i> | <i>Part Number</i> | <i>Qty.</i> | <i>Description</i> |
|-------------|--------------------|-------------|---------------------|-------------|--------------------|-------------|-----------------------|
| 1 | 62-1330 | 1 | Bolt-Shoulder | 7 | 120-2521 | 1 | HOC Plate W/Decal ASM |
| 2 | 109-7130 | 1 | Grommet | 7:2 | 120-2522 | 1 | Decal-HOC |
| 3 | 104-8301 | 1 | Nut-Flange, NI | 8 | 109-8250 | 1 | Grip-Lever |
| 4 | 109-7124 | 1 | Spring-Extension | 9 | 325-8 | 1 | Screw-HH |
| 5 | 109-7128 | 1 | Rod-Lock, Transport | 10 | 99-5107 | 1 | Nut-Lock |
| 6 | 116-0118 | 1 | Pawl-Transport, HOC | | | | |

Deck Assembly

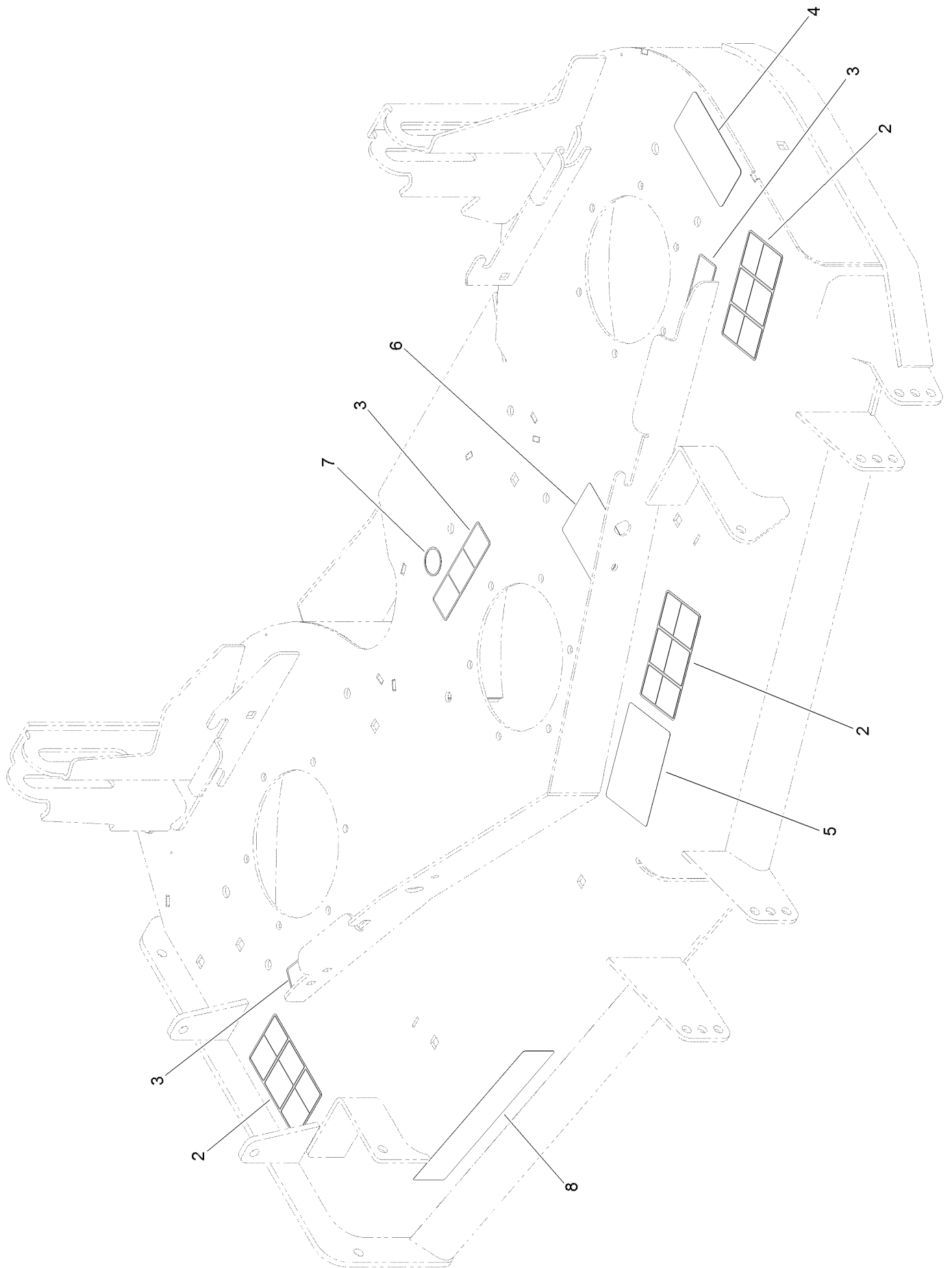


Deck Assembly (continued)

| <i>Ref.</i> | <i>Part Number</i> | <i>Qty.</i> | <i>Description</i> | <i>Ref.</i> | <i>Part Number</i> | <i>Qty.</i> | <i>Description</i> |
|-------------|--------------------|-------------|---------------------|-------------|--------------------|-------------|--------------------------|
| 1 | 131-7664 | 1 | Deck ASM | 21 | 3231-40 | 2 | Bolt-CARR, Short Neck |
| 2 | 109-2872 | 2 | Spacer-Pulley | 22 | 109-6658 | 2 | Nut-Flange, NI |
| 3 | 116-4670 | 1 | Pulley-Idler, Flat | 23 | 109-6982 | 2 | Wireform-Cover |
| 4 | 116-4665 | 1 | Idler-Pulley, Flat | 24 | 109-6936 | 1 | Cover-Belt, LH |
| 5 | 108-5388 | 1 | Screw-HH | 25 | 109-6935 | 1 | Cover-Belt, RH |
| 6 | 98-5967 | 1 | Spacer-Wheel | 26 | 3231-27 | 6 | Screw-CARR |
| 7 | 1-603299 | 3 | Roller-Scalp, Anti | 27 | 120-5477 | 3 | Spindle ASM |
| 8 | 104-8301 | 13 | Nut-Flange, NI | 27:2 | 116-0720 | 2 | Bearing-Ball |
| 9 | 323-23 | 1 | Screw-HH | 27:3 | 115-2641 | 1 | Spacer-Bearing |
| 10 | 98-7912 | 1 | Tube-Spanner | 28 | 120-2505 | 3 | Spindle-Shaft |
| 11 | 98-7913 | 1 | Tube-Spacer | 29 | 117-7277-03 | 3 | Blade-Hi Flo, 16.50 Inch |
| 12 | 120-2451 | 1 | Deflector ASM | 30 | 119-9926 | 1 | Belt-V |
| 13 | 322-50 | 1 | Screw-HH | 31 | 32144-41 | 18 | Screw-Taptite |
| 14 | 105-4622 | 1 | Spacer | 32 | 125-1736 | 3 | Washer-Belleville |
| 15 | 3296-47 | 1 | Nut-Lock, NI | 33 | 120-7854 | 3 | Pulley-B Section |
| 16 | 108-4052 | 1 | Spring-Torsion | 34 | 51-4060 | 3 | Screw-Blade |
| 17 | 107-8541-01 | 1 | Baffle-Discharge | 35 | 117-7210 | 3 | Shield-Bearing |
| 18 | | 1 | Idler Arm ASM ● | 36 | 92-5836 | 3 | Washer |
| 19 | 114-5867 | 1 | Anchor-Spring, Tall | 37 | 3296-67 | 3 | Nut-Lock, NI |
| 20 | 116-6317 | 1 | Spring-Extension | | | | |

● Not serviced separately

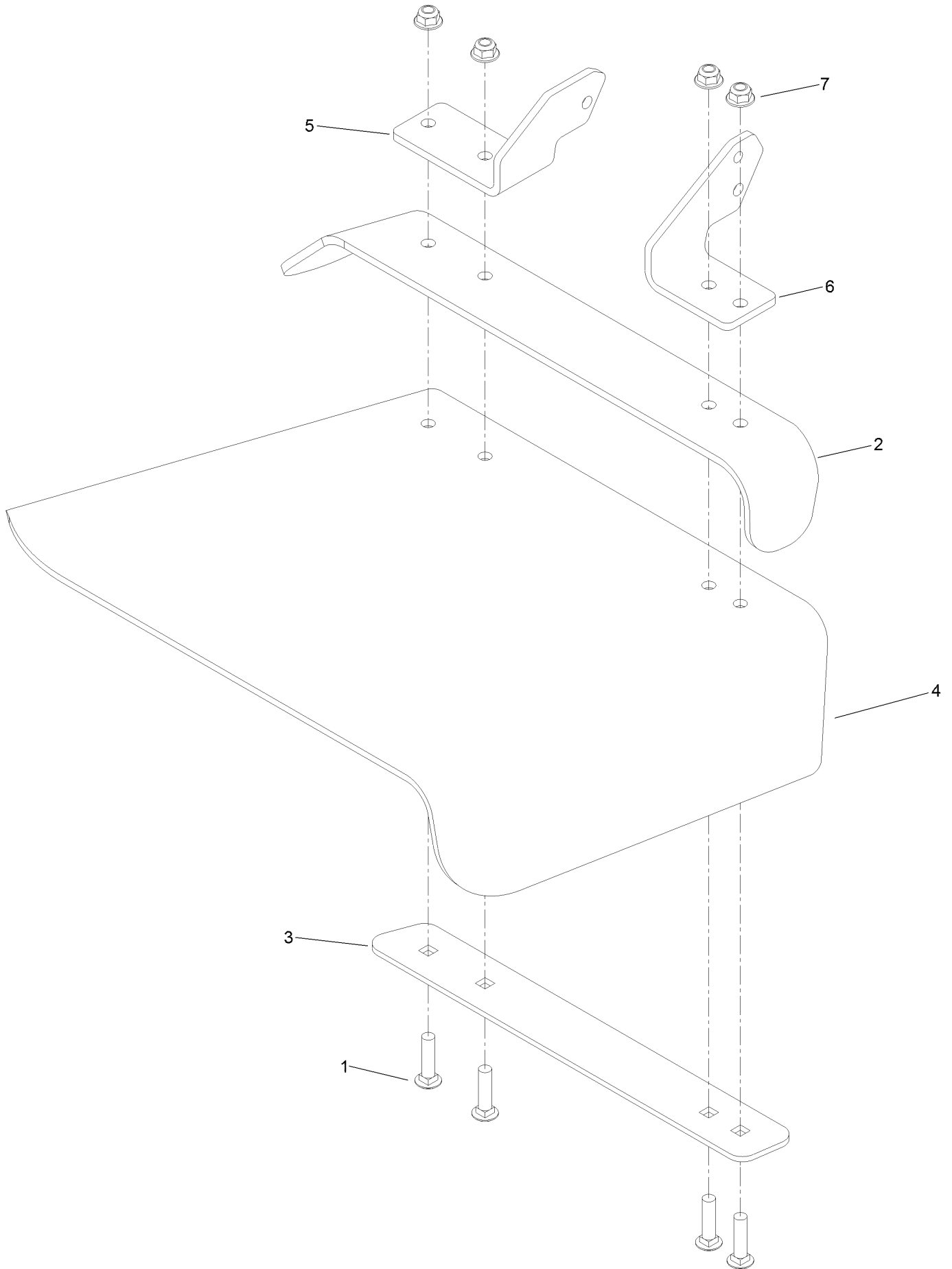
Deck Decal Assembly No. 131-7664



Deck Decal Assembly No. 131-7664 (continued)

| <i>Ref.</i> | <i>Part Number</i> | <i>Qty.</i> | <i>Description</i> | <i>Ref.</i> | <i>Part Number</i> | <i>Qty.</i> | <i>Description</i> |
|-------------|--------------------|-------------|--------------------------|-------------|--------------------|-------------|--------------------------|
| 2 | 117-3848 | 3 | Decal-Danger | 6 | 117-8639 | 1 | Decal-Routing, Deck Belt |
| 3 | 112-9028 | 3 | Decal-Cover Missing | 7 | 58-6520 | 1 | Decal-Grease |
| 4 | 93-7818 | 1 | Decal-Torque, Blade Bolt | 8 | 121-3204 | 1 | Decal |
| 5 | 112-3858 | 1 | Decal-Anti Scalp | | | | |

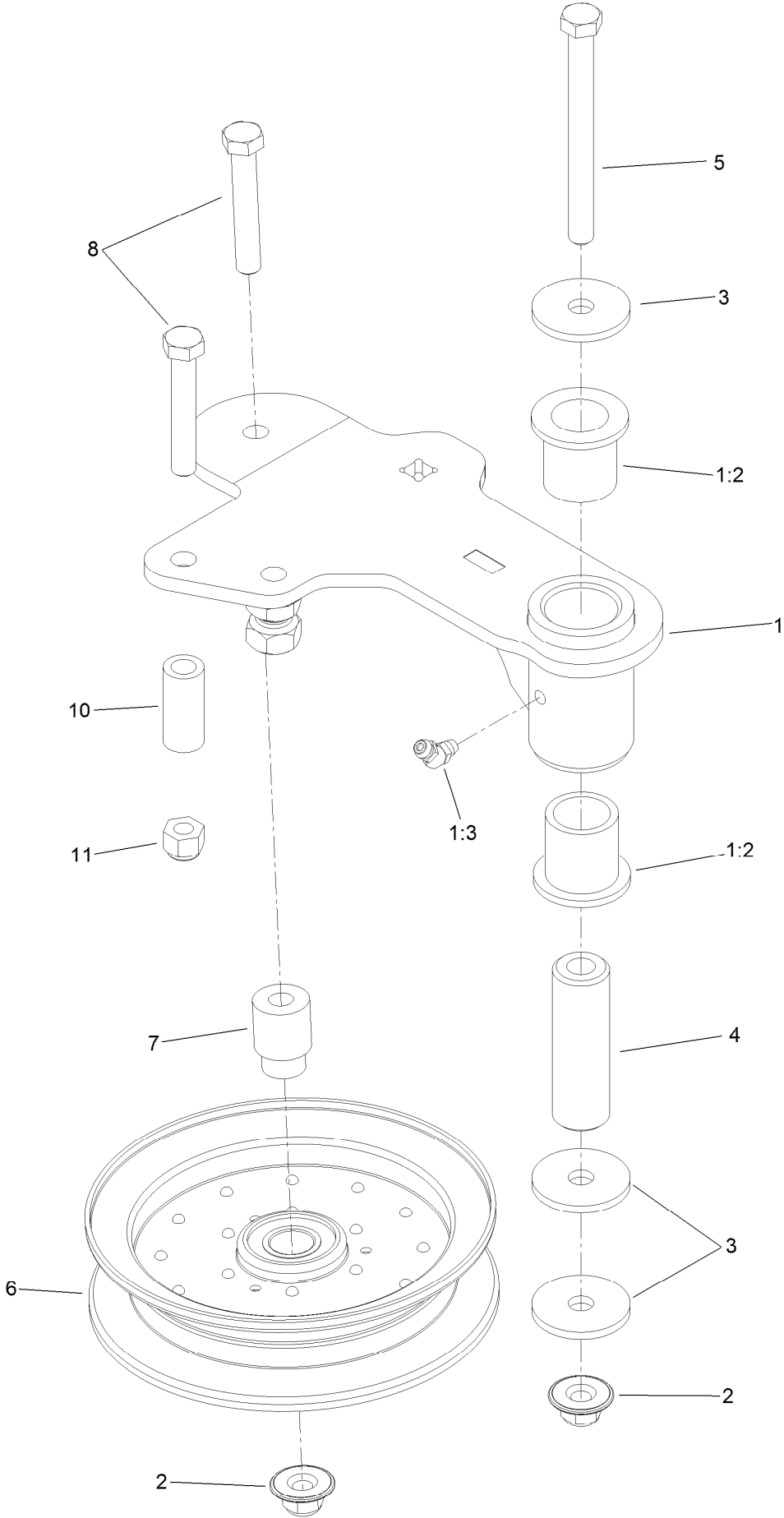
Deflector Assembly No. 120-2451



Deflector Assembly No. 120-2451 (continued)

| <i>Ref.</i> | <i>Part Number</i> | <i>Qty.</i> | <i>Description</i> | <i>Ref.</i> | <i>Part Number</i> | <i>Qty.</i> | <i>Description</i> |
|-------------|--------------------|-------------|--------------------|-------------|--------------------|-------------|--------------------|
| 1 | 3231-4 | 4 | Screw-CARR | 5 | 108-4059-01 | 1 | Plate-Hinge, Rear |
| 2 | 106-3246-01 | 1 | Deflector | 6 | 106-3253-01 | 1 | Plate-Hinge, Front |
| 3 | 106-3248-03 | 1 | Strap-Discharge | 7 | 104-8301 | 4 | Nut-Flange, NI |
| 4 | 110-0759 | 1 | Deflector-Rubber | | | | |

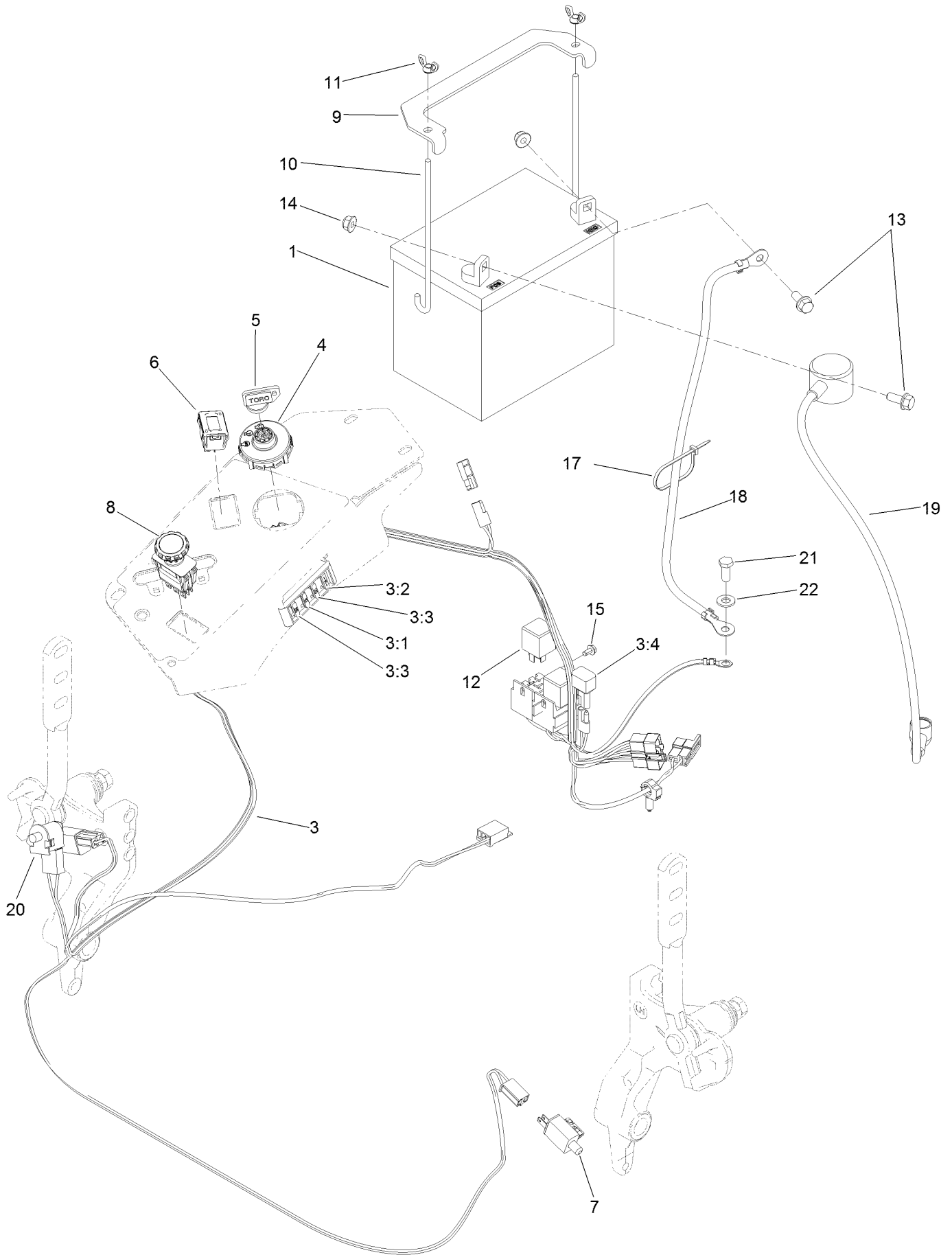
Idler Assembly



Idler Assembly (continued)

| <i>Ref.</i> | <i>Part Number</i> | <i>Qty.</i> | <i>Description</i> | <i>Ref.</i> | <i>Part Number</i> | <i>Qty.</i> | <i>Description</i> |
|-------------|--------------------|-------------|--------------------|-------------|--------------------|-------------|-----------------------|
| 1 | 120-2501 | 1 | Idler Arm ASM | 5 | 98-5961 | 1 | Screw-HH |
| 1:2 | 1-303514 | 2 | Bearing-Flanged | 6 | 116-4668 | 1 | Idler-Pulley, Flanged |
| 1:3 | 1481 | 1 | Fitting-Grease | 7 | 112-4212 | 1 | Mount-Pulley |
| 2 | 109-6658 | 2 | Nut-Flange, NI | 8 | 323-11 | 2 | Screw-HH |
| 3 | 1-213069 | 3 | Washer | 10 | 104-0151 | 1 | Spacer |
| 4 | 114-5848 | 1 | Spacer-Plain | 11 | 3296-39 | 1 | Nut-Lock, NI |

Electrical Assembly



Electrical Assembly (continued)

| <i>Ref.</i> | <i>Part Number</i> | <i>Qty.</i> | <i>Description</i> | <i>Ref.</i> | <i>Part Number</i> | <i>Qty.</i> | <i>Description</i> |
|-------------|--------------------|-------------|-------------------------|-------------|--------------------|-------------|-------------------------|
| 1 | 104-8162 | 1 | Battery-Dry | 10 | 1-633651 | 2 | Bolt-Holddown |
| 3 | 117-2582 | 1 | Harness-Wire | 11 | 1-543792 | 2 | Wingnut |
| 3:1 | 218-578 | 1 | Fuse-Blade, 10 Amp | 12 | 1-643275 | 2 | Relay |
| 3:2 | 109355 | 1 | Fuse-Blade, 15 Amp | 13 | 3234-5 | 2 | Screw-HHF |
| 3:3 | 109102 | 2 | Fuse-Blade, 25 Amp | 14 | 104-8300 | 2 | Nut-Flange, NI |
| 3:4 | 116-0053 | 1 | Cap-Plug | 15 | 104-2065 | 1 | Screw-HWH |
| 4 | 117-2221 | 1 | Switch-Ignition | 17 | 1-303287 | 3 | Tie-Cable |
| 5 | 63-8360 | 1 | Key-Ignition | 18 | 114-1218 | 1 | Cable-Battery, Negative |
| 6 | 120-2244 | 1 | Hourmeter | 19 | 115-3864 | 1 | Cable-Battery, Positive |
| 7 | 110-6765 | 2 | Switch | 20 | 82-2190 | 1 | Switch-Bail |
| 8 | 116-0124 | 1 | Switch-PTO, 10A | 21 | 33114-020 | 1 | Screw-HH |
| 9 | 116-0042-03 | 1 | Strap-Tie Down, Battery | 22 | 33094-00 | 1 | Washer-Plain |

Attachments and Accessories

For 74141 Z Master Commercial 2000 Series Riding Mower with 48in TURBO FORCE Side Discharge Mower

| Product Name | Model/Part |
|--|-------------------|
| Hypr-Oil 500 (quart) | 114-4713 |
| Hypr-Oil 500 (gallon)..... | 114-4714 |
| Hypr-Oil 500-5 (5 gallon)..... | 114-4715 |
| Bimini Folding Shade Assembly | 115-4510 |
| Light Kit..... | 116-1154 |
| Operator Controlled Discharge Chute Kit..... | 117-3600 |
| Blade-Hi Flo, 16.50in | 117-7277-03 |
| Blade-Mulch, 16.50in..... | 117-7278-03 |
| Recycler Kit | 120-2401 |
| Z Stand Kit..... | 121-4811 |
| Deluxe Seat Kit | 121-7595 |
| MVP Filter, Belt and Blade Kit | 127-1631 |
| Toro Deluxe Rider Cover..... | 490-7319 |
| Spark Arrestor Screen | 75-6880 |
| E-Z VAC Twin Soft Bagger..... | 78569 |
| E-Z Vac Blower and Drive Kit..... | 78571 |
| Filter Minder Gauge | 99-4664 |
| Trash Holder Kit..... | TC26 |

Notes:

Notes:

Notes:



Count on it.