



Count on it.

Parts Catalog

**Z Master® Professional 5000
Series Riding Mower**

**with 60in TURBO FORCE® Side Discharge
Mower**

Model No. 74930—Serial No. 315000001 and Up



Ordering Replacement Parts

To order replacement parts, please supply the part number, the quantity, and the description of each part desired.

Understanding Reference Numbers

Each identified part in an illustration has a reference number. The reference number for a part also appears in the parts list, along with other information about the part.

This catalog uses two special reference number formats, one to indicate parts in a service assembly and another to indicate the quantity of a given part in an illustration.

Service Assembly Reference Numbers

Parts in service assemblies have reference numbers in the form a:b. The a represents the reference number of the entire service assembly and the b represents a sequential number unique to each part within the service assembly.

For example, a wheel assembly might be identified by reference number 6, the tire by 6:1, the valve by 6:2, and the wheel by 6:3. When you order the assembly identified by reference number 6, you receive all parts identified by reference numbers 6:1, 6:2, and 6:3. However, you may also order any part individually. Reference numbers of this type appear in illustration and in parts lists.

Reference Numbers Indicating Quantity

In an illustration, if a reference number indicates more than one part, the reference number has the form nX y. The n represents the quantity of the part, the X is the multiplication symbol, and the y represents the reference number.

For example, in an illustration, the reference number 2X 37 means that two of the parts identified by reference number 37 are indicated.

List of Abbreviations

AR: as required

ASM: assembly

BBC: blade brake control

BHTF: button head thread forming

CARR: carriage

CCW: counter clockwise

CW: clockwise

DEG: degrees

DPA: Dual Point Adjustment

ECM: electronic control module

EXT: external

FH: flat head

GA: gauge

HD: heavy-duty

HF: hex flange

HH: hex head

HHF: hex head flange

HHFTF: hex head flange thread forming

HJ: hex jam

HLH: hex lag head

HOC: height-of-cut

HP: high pressure

HSBH: hex socket button head

HSFH: hex socket flat head

HSH: hex socket head

HWH: hex washer head

HWHTF: hex washer head thread forming

HYD: hydraulic

LH: left hand

LP: low pressure

LPG: Liquefied Petroleum Gas

NI: nylon insert

NPTF: national pipe thread fine

PFH: phillips flat head

PPH: phillips pan head

PPHTF: phillips pan head thread forming

PRH: phillips round head

PTH: phillips truss head

PTO: power-take-off

RH: right hand

ROPS: roll-over protection system

RRB: rear roller brush

SFH: slotted fillister head

SHH: slotted hex head

SHWH: slotted hex washer head

SPH: slotted pan head

SQH: square head

SRH: slotted round head

STD: standard

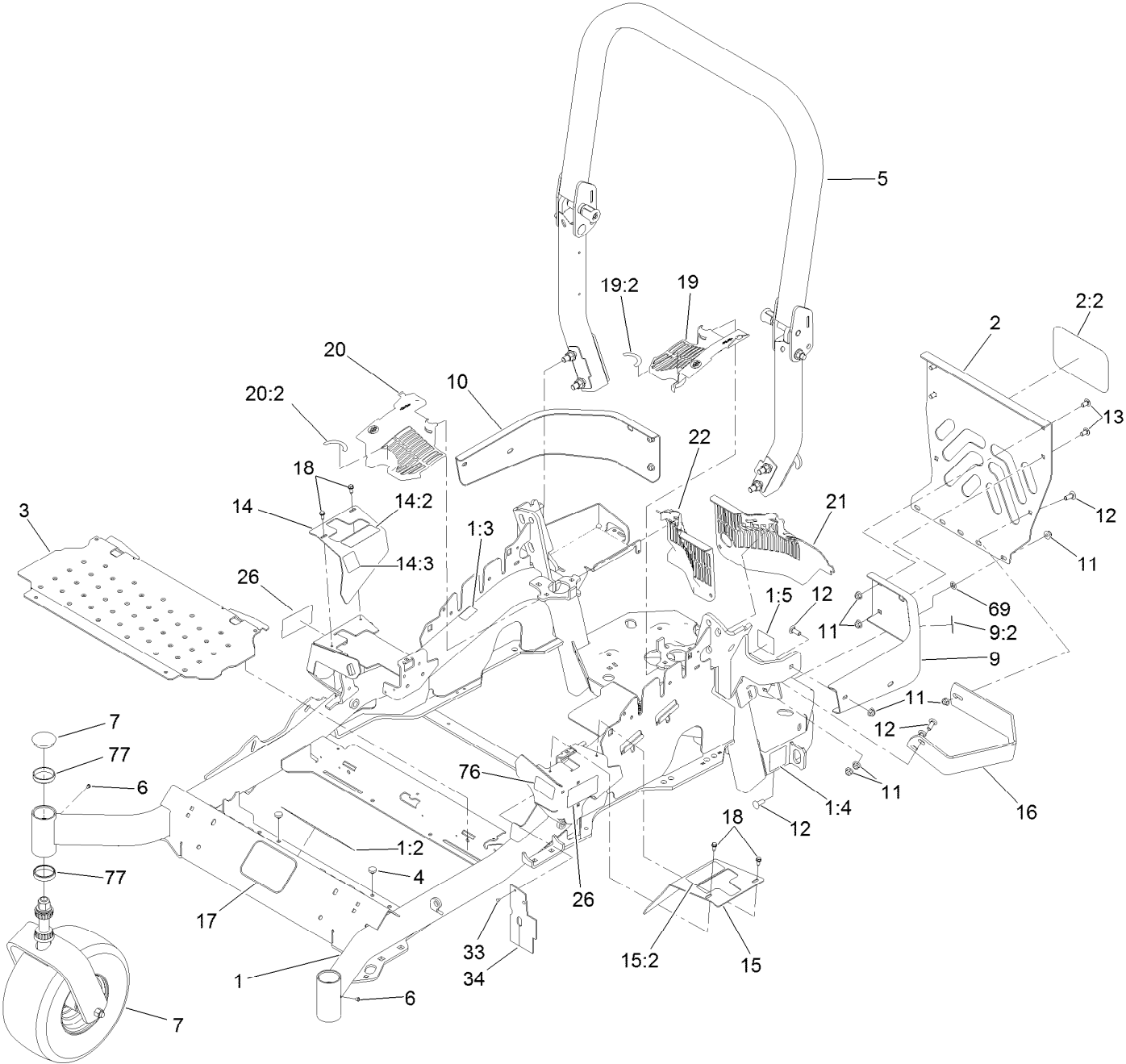
TAP: self tapping

TTH: torx truss head

Contents

Frame and Caster Wheel Assembly	4
Roll-Over Protection System Assembly No. 116-0231	6
Caster Fork and Wheel Assembly	8
Hydraulic Pump, Idler and Belt Assembly	10
Pump Idler Assembly No. 116-1255	12
LH Hydro Assembly No. 126-1323	14
RH Hydro Assembly No. 126-1324	16
Parking Brake and Wheel Assembly	18
Fuel Tank Mounting Assembly	20
Fuel Tank Assembly No. 116-3979	22
Seat Mount Assembly	24
Seat Assembly No. 125-3107	26
Motion Control Assembly	28
Console and Control Panel Assembly	30
Electrical System Assembly	32
Decklift Assembly	34
Height-of-Cut Assembly No. 109-7438	36
Engine, Clutch and Muffler Assembly	38
Deck Assembly	40
Deck Decal Assembly No. 114-5815	42
Idler Assembly	44
Spindle Assembly No. 119-8560	46
Rubber Deflector Assembly No. 108-2792	48
Attachments and Accessories	50

Frame and Caster Wheel Assembly

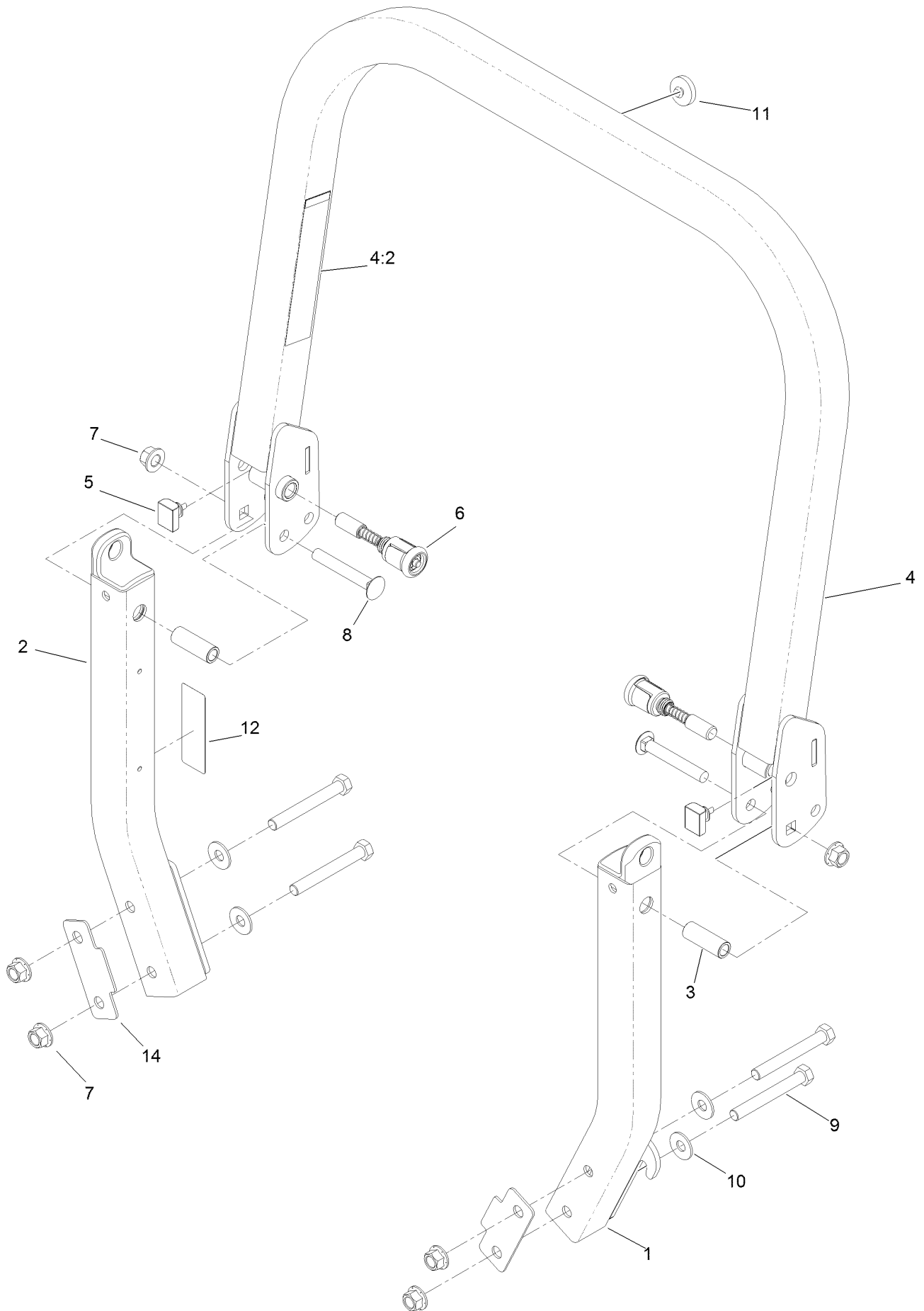


Frame and Caster Wheel Assembly (continued)

<i>Ref.</i>	<i>Part Number</i>	<i>Qty.</i>	<i>Description</i>	<i>Ref.</i>	<i>Part Number</i>	<i>Qty.</i>	<i>Description</i>
1	116-5902	1	Mainframe ASM	14:2	99-8936	1	Decal-Control, Motion
1:2	117-3888	1	Decal-Danger Slope W/ROPS	14:3	116-5988	1	Decal-Park Brake, Ce
1:3	106-5517	2	Decal-Warning, Hot Surface	15	116-0580	1	LH Motion Control Cover ASM
1:4	106-2655	2	Decal-Hazard, Pinched Finger	15:2	99-8936	1	Decal-Control, Motion
1:5	116-4858	1	Decal-Spark Arrester	16	126-2067-03	1	Guard-Muffler
2	115-7410	1	Rear Guard ASM	17	68-3640	1	Decal
2:2	67-7320	1	Decal	18	32144-10	4	Screw-HWH
3	116-8898-01	1	Floorpan	19	116-0170	1	LH Hydro Guard ASM
4	1-513658	2	Bumper	19:2	116-8726	1	Decal-Oil, Hydro
5	116-0231	1	ROPS ASM	20	116-0171	1	RH Hydro Guard ASM
6	1-811010	2	Plug	20:2	116-8726	1	Decal-Oil, Hydro
7		2	Caster Wheel ASM ●	21	109-9057	1	Guard-Hydro, Rear LH
9	116-0180	1	LH Bumper ASM	22	109-9058	1	Guard-Hydro, Rear RH
9:2	106-5517	1	Decal-Warning, Hot Surface	26	120-5894	2	Decal
10	116-0057-03	1	Bumper-RH	33	1-803035	2	Rivet-Pop
11	104-8301	11	Nut-Flange, NI	34	116-2362	1	Deflector-Air Flow
12	3231-22	7	Screw-CARR	69	107-3154	2	Nut-Push
13	3231-21	3	Screw-CARR	76	117-3864	1	Decal-Fuel Fill, Ce
14	116-5899	1	RH Motion Control Cover ASM	77	1-543508	4	Cup-Bearing

● Not serviced separately

Roll-Over Protection System Assembly No. 116-0231



Roll-Over Protection System Assembly No. 116-0231 (continued)

<i>Ref.</i>	<i>Part Number</i>	<i>Qty.</i>	<i>Description</i>	<i>Ref.</i>	<i>Part Number</i>	<i>Qty.</i>	<i>Description</i>
1		1	Leg-ROPS, LH ●	7	99-5107	6	Nut-Lock
2		1	Leg-ROPS, RH ●	8	3233-10	2	Screw-CARR
3	109-6653	2	Spacer	9	325-35	4	Screw-HH
4		1	Upper ROPS ASM ●	10	109-9505	4	Washer-Spring
4:2	107-3069	1	Decal-Warning, Folding ROPS	11	109-9233	1	Bumper-Push-In, Rubber
5	109-5337	2	Bumper-ROPS	12	117-0346	1	Decal-Caution, Fuel Vent
6	116-0104	2	Pin-Spring	14	116-0960	2	Spacer

● Not serviced separately

Caster Fork and Wheel Assembly



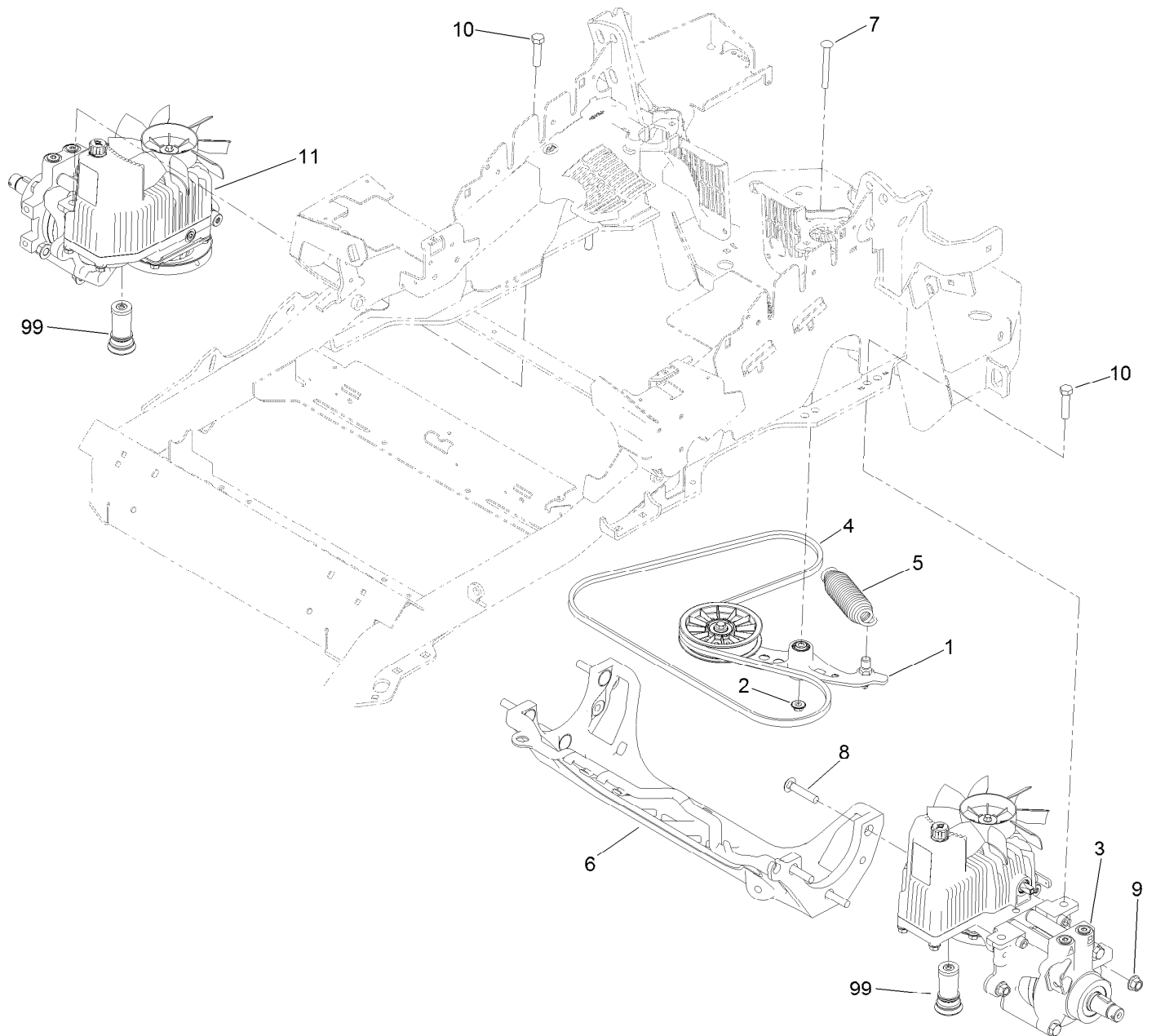
Caster Fork and Wheel Assembly (continued)

<i>Ref.</i>	<i>Part Number</i>	<i>Qty.</i>	<i>Description</i>	<i>Ref.</i>	<i>Part Number</i>	<i>Qty.</i>	<i>Description</i>
1	1-543509	2	Bearing-Roller, Tapered	5:2:3	103-3051	2	Spacer-Nut ■
2	116-5647	1	Seal-Grease	5:2:4	103-5156	1	Axle-Caster
3	1-633508	3	Washer-Bellville	5:2:5		1	Wheel And Tire ASM ●
4	116-6707-01	1	Caster	5:2:5:1	1-633584	1	Bearing-Cup
5	127-9528	1	Wheel And Axle ASM	5:3	325-39	1	Screw-HH
5:1	103-2768	2	Guard-Seal	5:4	3296-23	1	Nut-Lock, NI
5:2		1	Wheel And Bearing ASM ●	6	103-4882	1	Cap-Grease
5:2:1	1-633585	2	Bearing-Cone, Taper	7	3296-51	1	Nut-Lock, NI
5:2:2	103-0063	2	Seal-Caster				

● Not serviced separately

■ Use Pro-Lock, Nut Type (P/N 1-840022, .5ml tube) on threads.

Hydraulic Pump, Idler and Belt Assembly



Hydraulic Pump, Idler and Belt Assembly (continued)

<i>Ref.</i>	<i>Part Number</i>	<i>Qty.</i>	<i>Description</i>	<i>Ref.</i>	<i>Part Number</i>	<i>Qty.</i>	<i>Description</i>
1	116-1255	1	Pump Idler ASM	9	99-5107	6	Nut-Lock
2	109-6658	1	Nut-Flange, NI	10	325-8	4	Screw-HH
3	126-1323	1	LH Hydro ASM (12Cc W/ Shock)	11	126-1324	1	RH Hydro ASM (12Cc W/ Shock)
4	109-3388	1	Belt	99	114-4713	1	Hypr-Oil 500 (Quart) ●
5	116-6317	1	Spring-Extension	99	114-4714	1	Hypr-Oil 500 (Gallon) ●
6	116-7558	1	Cradle-Hydro	99	114-4715	1	Hypr-Oil 500-5 (5 Gallon) ●
7	116-1502	1	Bolt-Shoulder, Carriage	99	117-0390	1	Filter-Hydro
8	126-0095	6	Screw-CARR				

● Not illustrated

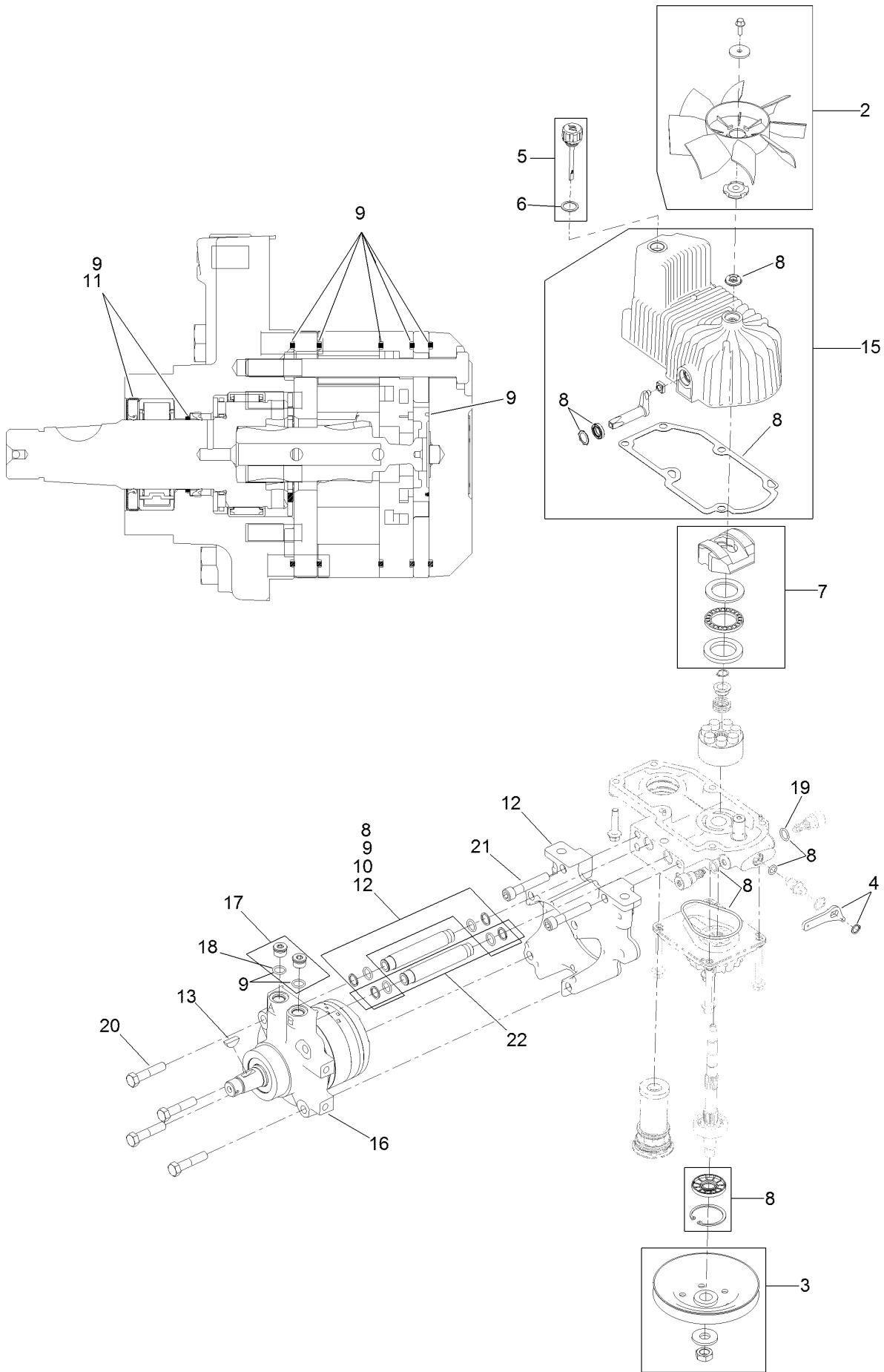
Pump Idler Assembly No. 116-1255



Pump Idler Assembly No. 116-1255 (continued)

<i>Ref.</i>	<i>Part Number</i>	<i>Qty.</i>	<i>Description</i>	<i>Ref.</i>	<i>Part Number</i>	<i>Qty.</i>	<i>Description</i>
2	43-0940	1	Spacer	8	323-8	1	Screw-HH
3	103-3504	2	Bearing-Spherical	9	32120-10	2	Ring-Snap
4	103-3505	1	Seal-Double Lip	10	302-19	1	Fitting-Grease
5	103-3506	1	Seal-Lip, Single	11	109-8076	1	Pulley-Idler
6	109-6658	1	Nut-Flange, NI	12	116-3467	1	Pin-Spring, Anchor
7	106-7159	2	O-Ring				

LH Hydro Assembly No. 126-1323

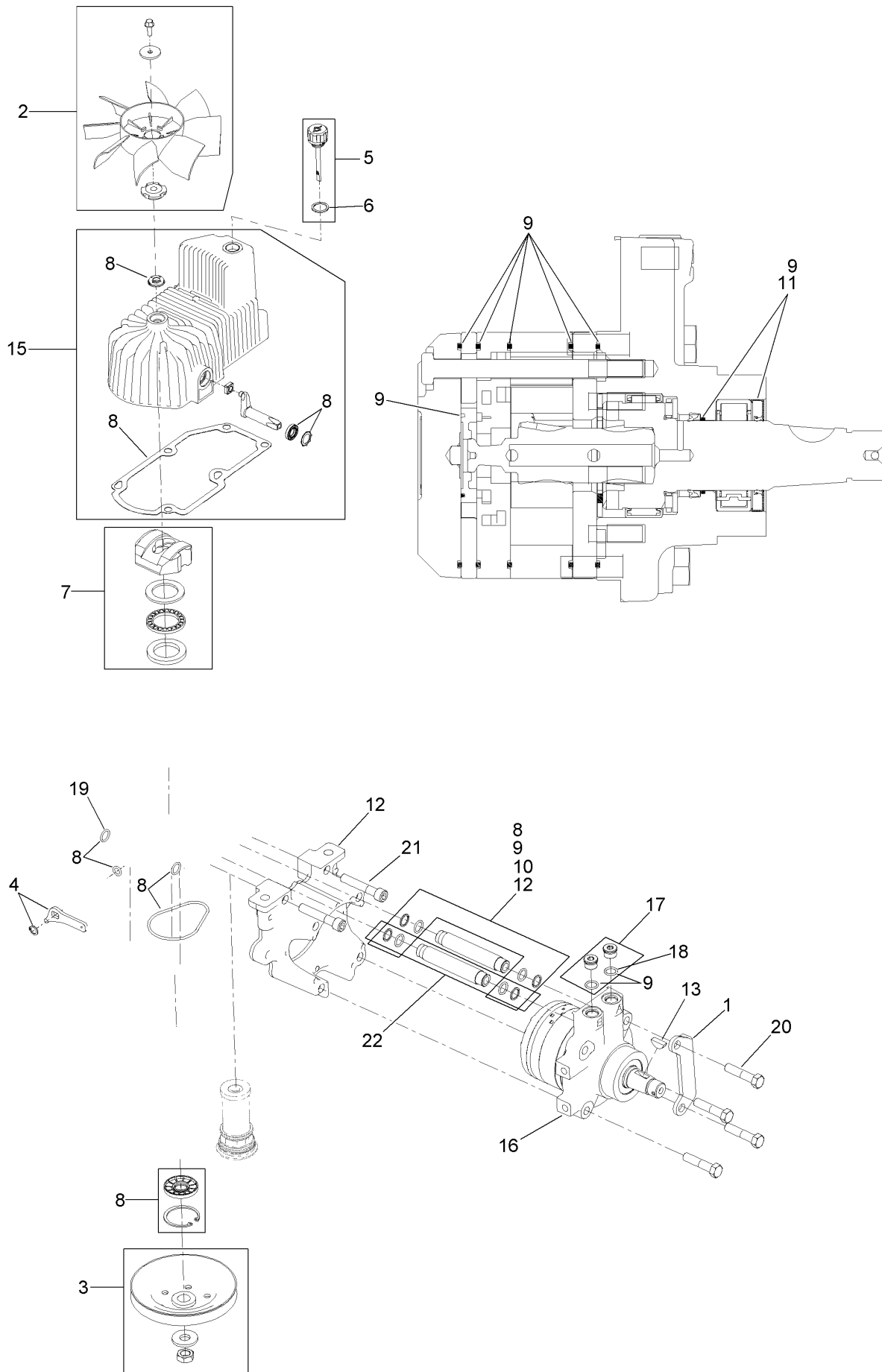


LH Hydro Assembly No. 126-1323 (continued)

<i>Ref.</i>	<i>Part Number</i>	<i>Qty.</i>	<i>Description</i>	<i>Ref.</i>	<i>Part Number</i>	<i>Qty.</i>	<i>Description</i>
2	116-0233	1	Fan Kit	12	116-5469	1	Nose Cup-Uht
3	116-0234	1	Pulley Kit	13	3257-42	1	Key-Woodruff
4	116-0235	1	Handle-Bypass Valve, Hydro	15	116-3287	1	Housing-LH
5	116-0236	1	Dipstick-Hydro W/Gasket	16	116-8915	1	Motor-Hydraulic LH 240Cc
6	116-0237	1	Gasket-Dipstick, Hydro	17	116-7901	1	Magnetic Plugs Service Kit
7	116-1367	1	Swash Block Kit	18	76-1900	2	O-Ring
8	116-1368	1	Pump Seal Kit	19	116-8662	2	O-Ring-Check Valve
9	116-1369	1	Motor Seal Kit	20	116-8974	4	Screw HH
10	116-1370	1	Tube Seal Kit	21	116-8975	2	Screw-HSH
11	116-1371	1	Output Shaft Seal Kit	22	116-9922	2	Hydraulic Tube Kit
				99	116-1373	1	Flow Test Kit ●

● Not illustrated

RH Hydro Assembly No. 126-1324

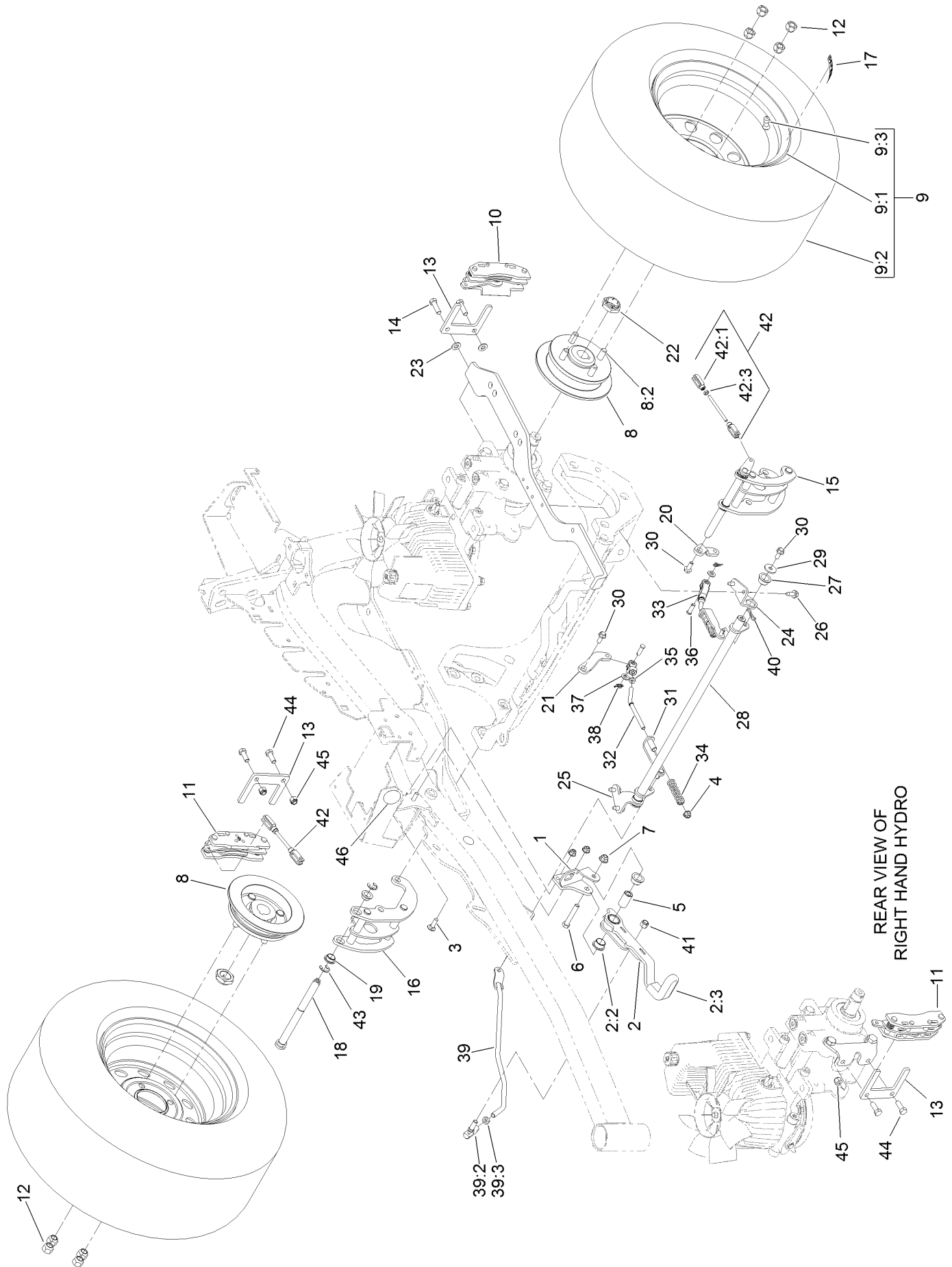


RH Hydro Assembly No. 126-1324 (continued)

<i>Ref.</i>	<i>Part Number</i>	<i>Qty.</i>	<i>Description</i>	<i>Ref.</i>	<i>Part Number</i>	<i>Qty.</i>	<i>Description</i>
1	116-9063	1	Mount-Shoe, Horse	12	116-5469	1	Nose Cup-Uht
2	116-0233	1	Fan Kit	13	3257-42	1	Key-Woodruff
3	116-0234	1	Pulley Kit	15	116-3288	1	Housing-RH
4	116-0235	1	Handle-Bypass Valve, Hydro	16	116-8916	1	Motor-Hydraulic RH 240Cc
5	116-0236	1	Dipstick-Hydro W/Gasket	17	116-7901	1	Magnetic Plugs Service Kit
6	116-0237	1	Gasket-Dipstick, Hydro	18	76-1900	2	O-Ring
7	116-1367	1	Swash Block Kit	19	116-8662	2	O-Ring-Check Valve
8	116-1368	1	Pump Seal Kit	20	116-8974	4	Screw HH
9	116-1369	1	Motor Seal Kit	21	116-8975	2	Screw-HSH
10	116-1370	1	Tube Seal Kit	22	116-9922	2	Hydraulic Tube Kit
11	116-1371	1	Output Shaft Seal Kit	99	116-1373	1	Flow Test Kit ●

● Not illustrated

Parking Brake and Wheel Assembly

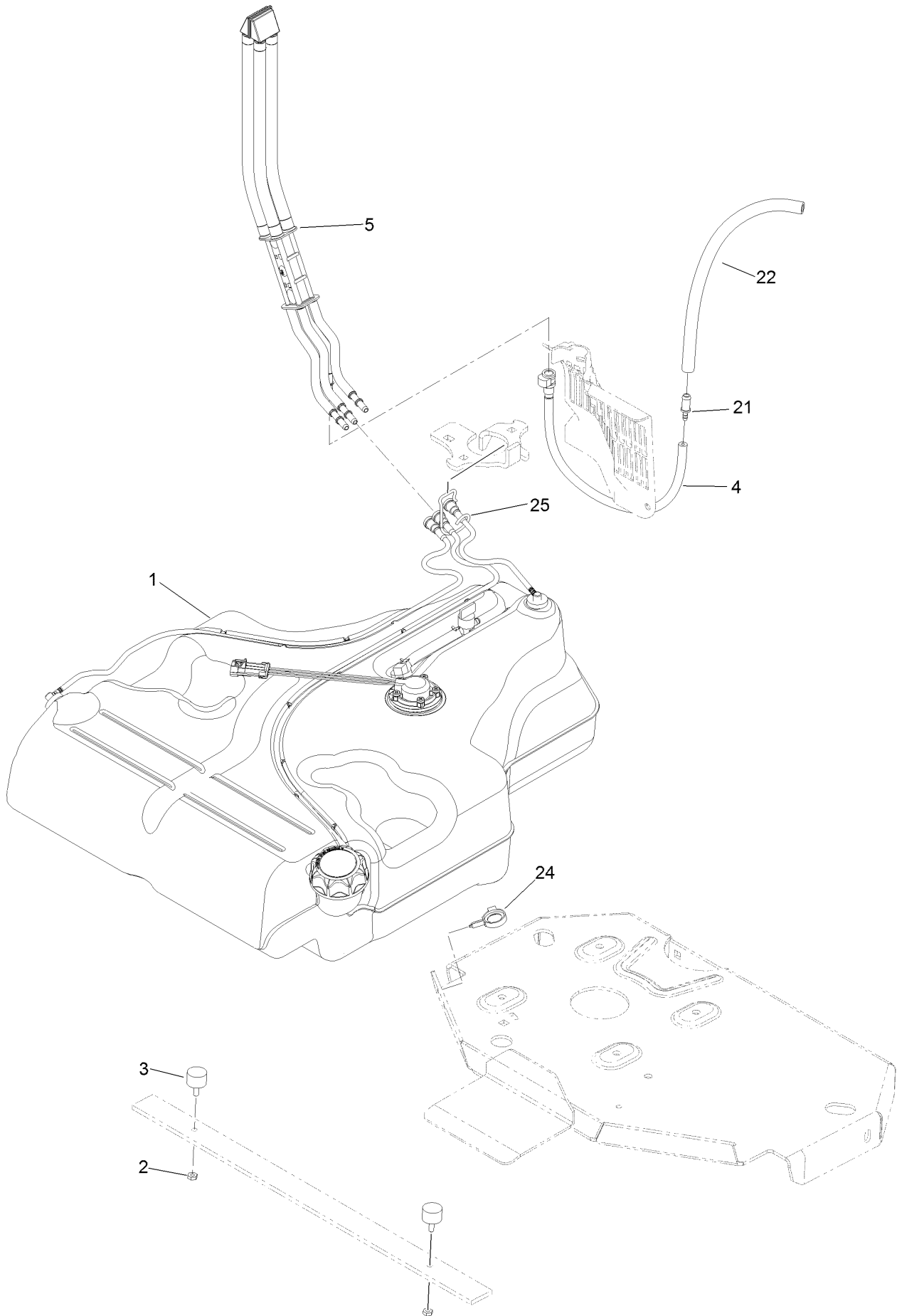


REAR VIEW OF
RIGHT HAND HYDRO

Parking Brake and Wheel Assembly (continued)

<i>Ref.</i>	<i>Part Number</i>	<i>Qty.</i>	<i>Description</i>	<i>Ref.</i>	<i>Part Number</i>	<i>Qty.</i>	<i>Description</i>
1	116-9096-01	1	Bracket-Mount	23	3256-24	2	Washer-Flat
2	126-0970	1	Brake Lever ASM (W/ Grip)	24	116-9681	1	Mount-Pivot, LH
2:2	109-8054	2	Bushing-Flange	25	116-9682	1	Mount-Pivot, RH
2:3	1-633268	1	Grip-Lever	26	32144-70	4	Screw-HWHTF
3	3230-2	2	Bolt-CARR	27	109-8054	2	Bushing-Flange
4	104-8300	4	Nut-Flange, NI	28	116-9080	1	Shaft-Cross
5	116-9117	1	Handle-Pivot, Brake	29	115-7109	2	Washer-Flat
6	323-11	1	Screw-HH	30	98-9940	4	Screw
7	104-8301	1	Nut-Flange, NI	31	116-9609	2	Bracket-L
8	116-1746	2	Wheel Hub ASM	32	116-9086	2	Linkage-Mid
8:2	116-1696	4	Stud-Wheel	33	126-3693	2	Yoke-Offset
9	127-9520	2	Wheel And Tire ASM	34	116-9085	2	Spring-Compression
9:1	127-9517	1	Wheel	35	3220-2	2	Nut-Jam
9:2	1-633993	1	Tire	36	1-808280	2	Pin-Clevis
9:3	232-27	1	Stem-Valve	37	3256-23	4	Washer-Flat
10	109-2889	1	Caliper-Brake	38	116-6639	2	Pin-Cotter, Locking
11	116-9103	1	Caliper-Brake, RH	39	116-9102	1	Front Linkage ASM
12	242-50	8	Nut-Lug	39:2	94-7572	1	End-Tie Rod, RH
13	109-0958	2	Plate-Mount, Brake	39:3	3220-3	1	Nut-HJ
14	92-5727	2	Screw-Lock, Patch	40	119-1415	2	Pin-Cotter, Locking
15	116-9061	1	Mount-Bellcrank, LH	41	3296-6	1	Nut-Lock
16	116-9062	1	Mount-Bellcrank, RH	42	116-9071	2	Rear Linkage ASM
17	126-2055	2	Decal-Torque Wheel Lug-Hub	42:1	116-9070	2	Yoke
18	116-9066	2	Bellcrank	42:3	3220-1	1	Nut-Jam
19	116-9072	4	Bushing	43	32120-19	4	E-Ring
20	126-3715	1	Arm-Inner, LH	44	323-6	2	Screw-HH
21	126-3716	1	Arm-Inner, RH	45	3296-39	2	Nut-Lock, NI
22	116-1399	2	Locknut	46	126-4162	1	Decal-Cover

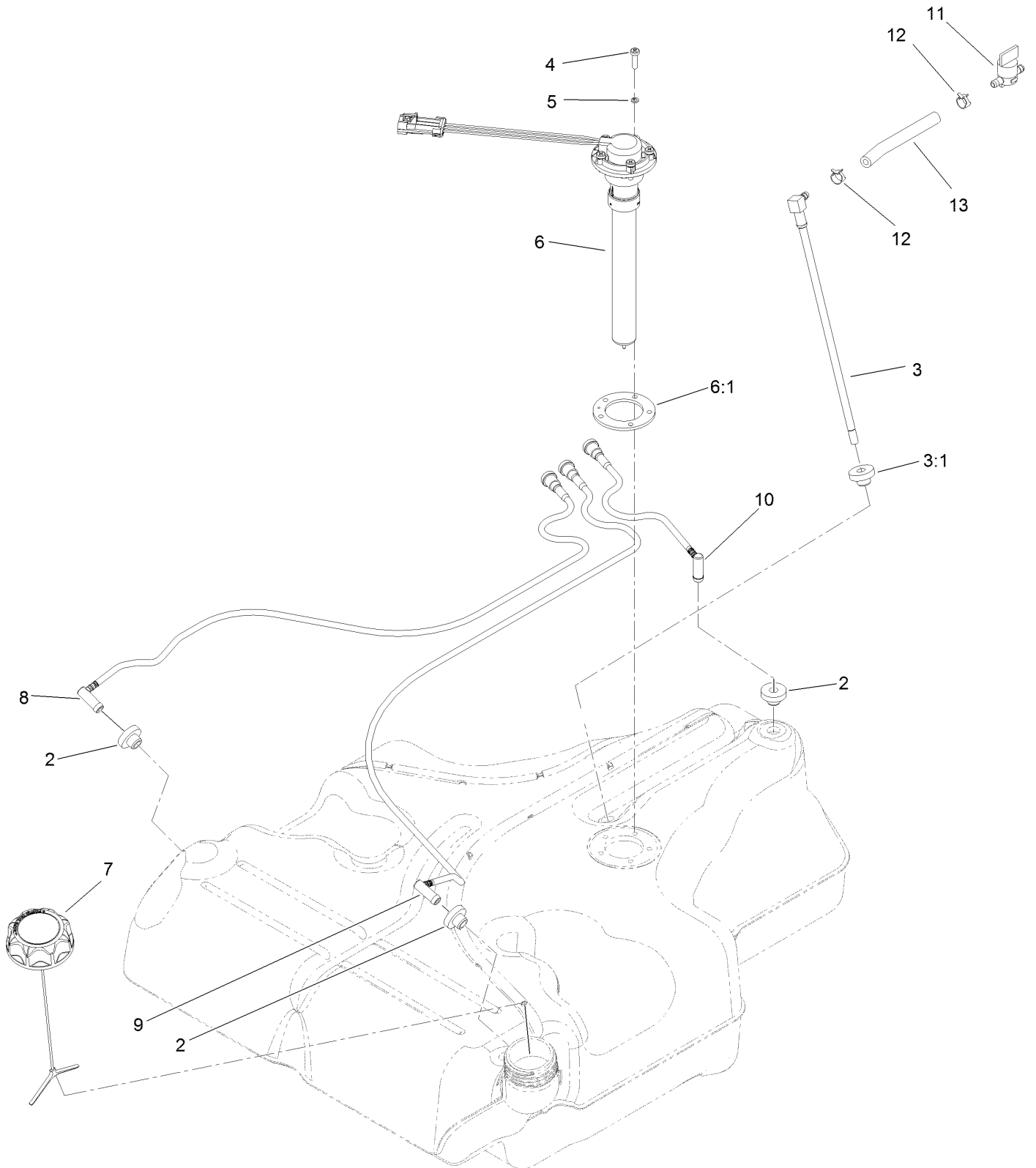
Fuel Tank Mounting Assembly



Fuel Tank Mounting Assembly (continued)

<i>Ref.</i>	<i>Part Number</i>	<i>Qty.</i>	<i>Description</i>	<i>Ref.</i>	<i>Part Number</i>	<i>Qty.</i>	<i>Description</i>
1	116-3979	1	Fuel Tank ASM	21	98-2952	1	Fitting-Straight
2	3218-1	2	Nut-Jam	22	116-5087	1	Hose-Fuel
3	116-6380	2	Bumper-Rubber (W/ Stud)	24	105-1853	1	Clamp-Hose
4	116-3977	1	Hose ASM	25	116-6005	1	Retainer-Line, Vapor
5	109-9491	1	Fuel Manifold Vent ASM				

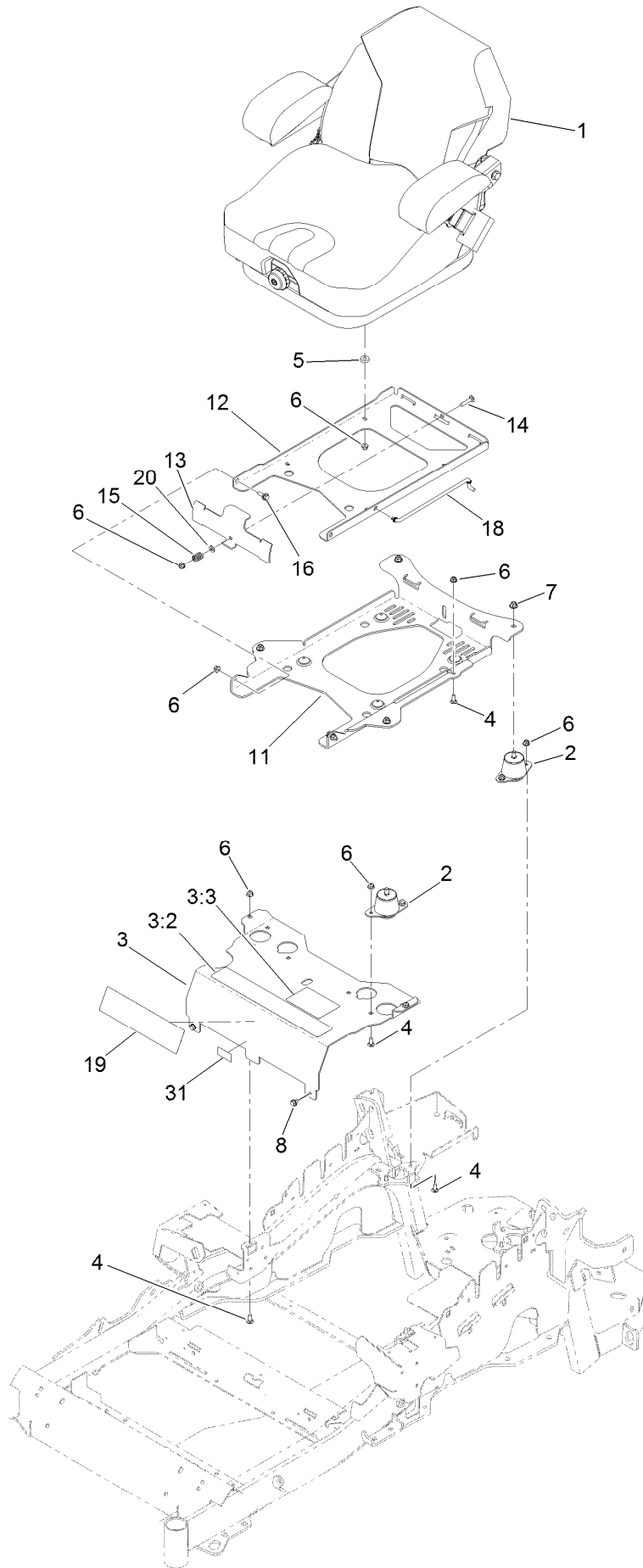
Fuel Tank Assembly No. 116-3979



Fuel Tank Assembly No. 116-3979 (continued)

<i>Ref.</i>	<i>Part Number</i>	<i>Qty.</i>	<i>Description</i>	<i>Ref.</i>	<i>Part Number</i>	<i>Qty.</i>	<i>Description</i>
2	46-6560	4	Bushing	8	116-2460	1	RH Vent Line Kit (With Grommet)
3	116-2459	1	Fuel Line Kit (With Grommet)	9	116-2461	1	LH Vent Line Kit (With Grommet)
3:1	46-6560	1	Bushing	10	116-2462	1	Rear Vent Line Kit (With Grommet)
4	9107944	5	Screw-Pan	11	1-603770	1	Valve-Fuel
5	3253-17	5	Washer-Lock	12	2412-98	2	Clamp-Hose
6	116-0003	1	Sender-Level, Fuel	13	109-0650	1	Hose-Fuel
6:1	109-9620	1	Gasket-Sender, Fuel				
7	126-1789	1	Cap-Fuel, Ratcheting				

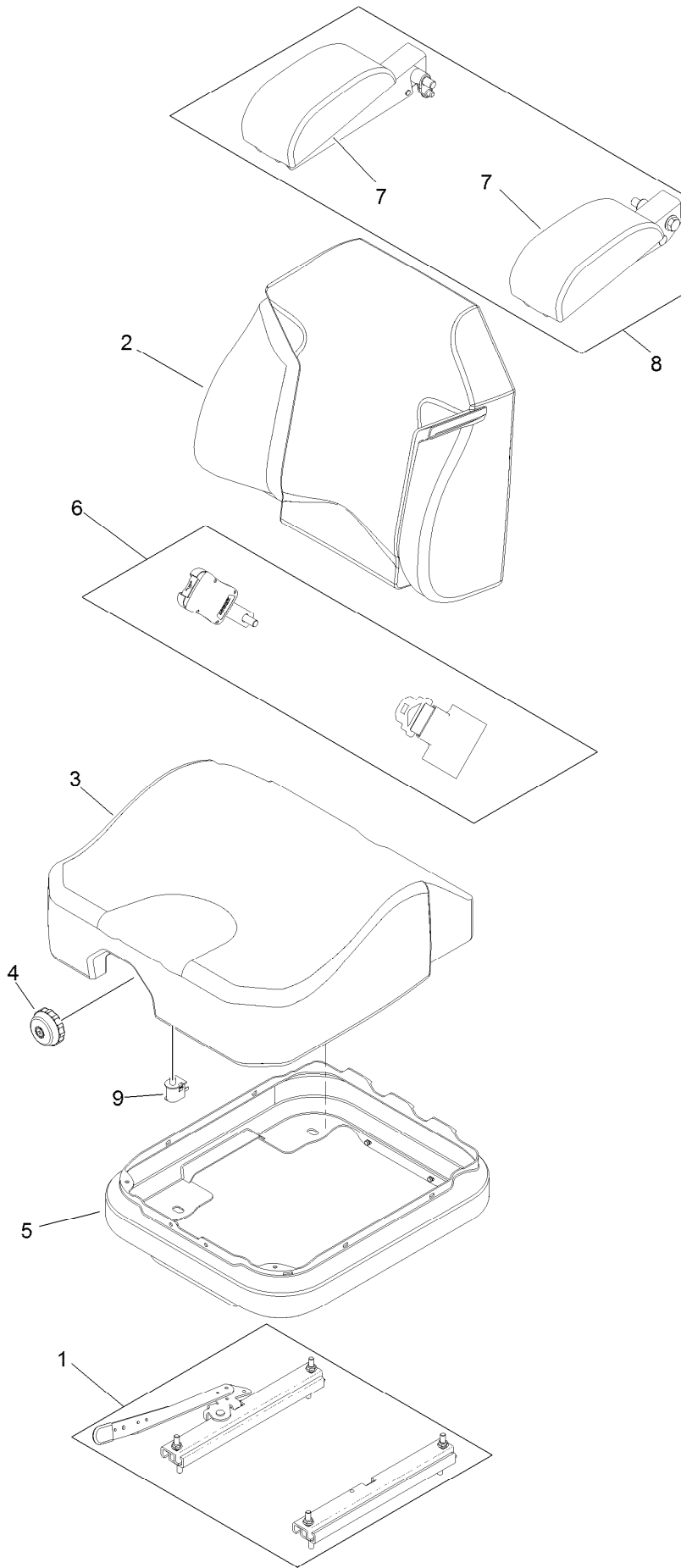
Seat Mount Assembly



Seat Mount Assembly (continued)

<i>Ref.</i>	<i>Part Number</i>	<i>Qty.</i>	<i>Description</i>	<i>Ref.</i>	<i>Part Number</i>	<i>Qty.</i>	<i>Description</i>
1	125-3107	1	Suspension Seat ASM	11	116-3860-03	1	Plate-Tilt, Seat Support
2	109-9034	4	Isolator-Seat	12	116-3859-03	1	Plate-Frame, Seat
3	125-9385	1	Seat Mount ASM	13	109-9881-03	1	Plate-Latch, Seat
3:2	116-8722	1	Decal-Console	14	3230-4	1	Screw-CARR
3:3	125-9383	1	Decal-Service Aid	15	107-3017	1	Spring-Compression
4	3230-23	11	Screw-CARR	16	116-1297	2	Screw-Shoulder
5	26-4840	4	Spacer-Pin, Mounting	18	116-0070	1	Rod-Prop
6	104-8300	18	Nut-Flange, NI	19	120-5893	1	Decal
7	104-8301	4	Nut-Flange, NI	20	3256-23	1	Washer-Flat
8	9266934	2	Screw	31	121-7560	1	Decal-Efi

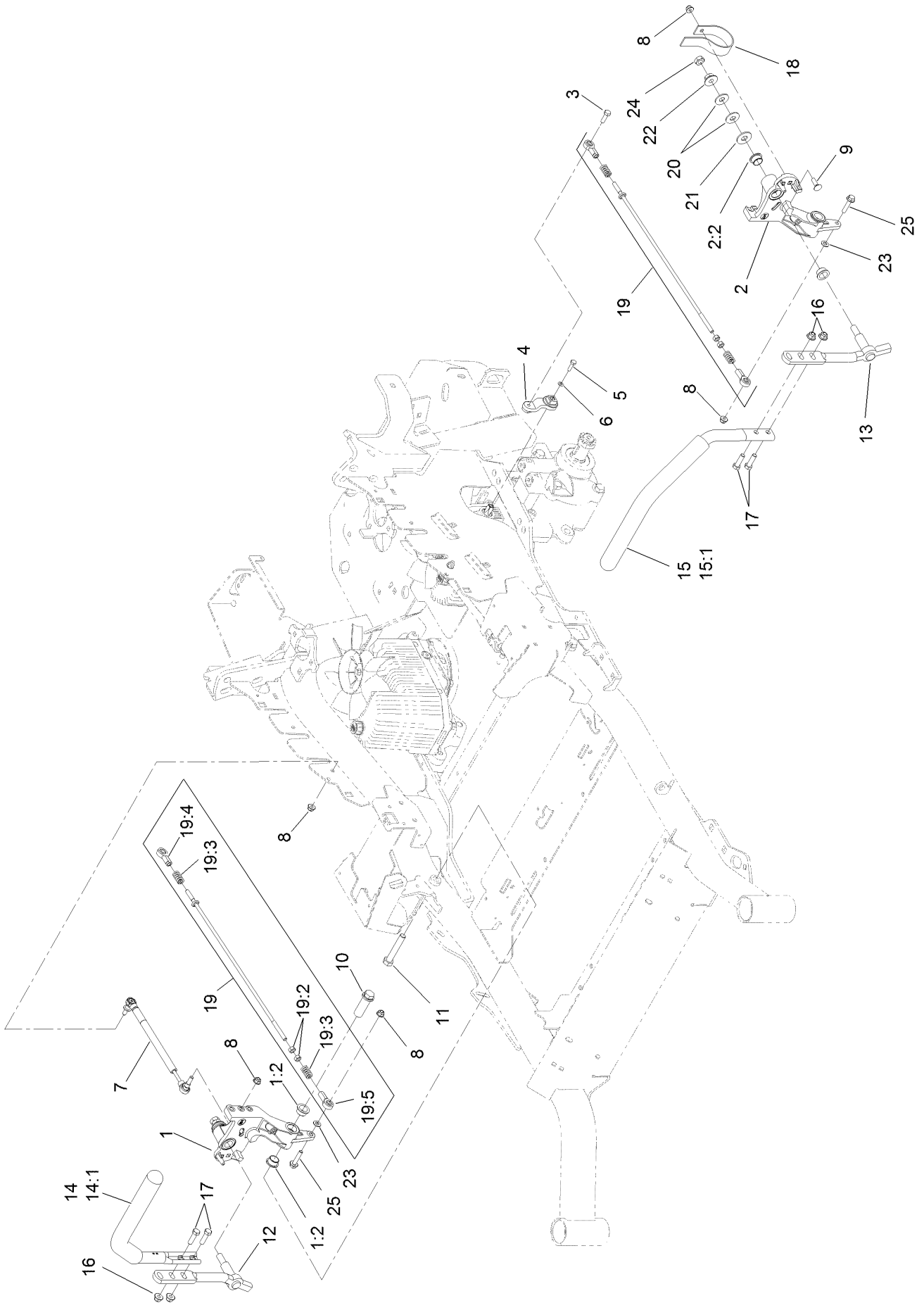
Seat Assembly No. 125-3107



Seat Assembly No. 125-3107 (continued)

<i>Ref.</i>	<i>Part Number</i>	<i>Qty.</i>	<i>Description</i>	<i>Ref.</i>	<i>Part Number</i>	<i>Qty.</i>	<i>Description</i>
1	116-8910	1	Seat Track Set	6	126-2061	1	Seat Belt Service Kit
2	125-3112	1	Cover-Back	7	109-9802	1	Arm Rest Pad Set
3	125-3111	1	Cover-Cushion	8	109-9803	1	Arm Rest Set
4	116-8911	1	Knob-Adjuster	9	82-2190	1	Switch-Bail
5	116-5659	1	Cover-Suspension Bellows				

Motion Control Assembly

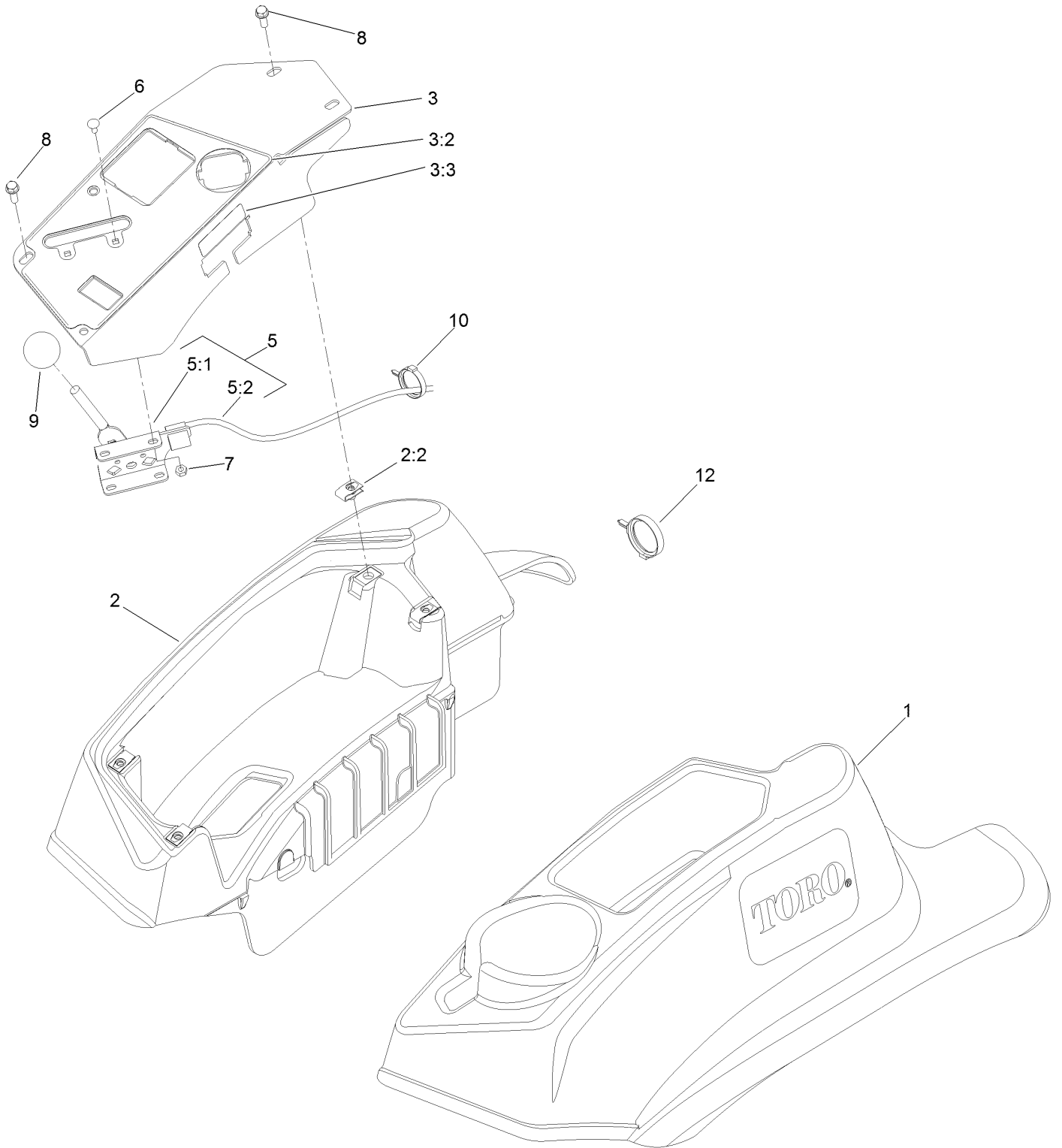


Motion Control Assembly (continued)

<i>Ref.</i>	<i>Part Number</i>	<i>Qty.</i>	<i>Description</i>	<i>Ref.</i>	<i>Part Number</i>	<i>Qty.</i>	<i>Description</i>
1	116-0880	1	RH Motion Control And Bushing ASM	14	109-6589	1	RH Steering Handle ASM
1:2	109-8054	4	Bushing-Flange	14:1	109-5668	1	Grip-Control, Lever
2	116-0881	1	LH Motion Control And Bushing ASM	15	109-6590	1	LH Steering Handle ASM
2:2	109-8054	4	Bushing-Flange	15:1	109-5668	1	Grip-Control, Lever
3	116-0648	2	Screw-HH, Thread Locking ●	16	104-8301	4	Nut-Flange, NI
4	109-4581	2	Arm-Control, Pump	17	323-7	4	Screw-HH
5	9080046	2	Screw-HH ●	18	109-5575	2	Spring-Leaf
6	1-303435	2	Washer-Spring	19	109-8106	2	Front Pump Linkage ASM
7	116-0027	2	Damper-Control, Motion	19:2	3219-2	2	Nut-Hex
8	104-8300	8	Nut-Flange, NI	19:3	1-323245	2	Spring-Compression
9	3230-2	2	Bolt-CARR	19:4	1-633152	1	Balljoint-LH
10	109-5891	2	Hub-Threaded	19:5	1-543017	1	Balljoint-RH
11	325-12	2	Screw-HH	20	109-9505	4	Washer-Spring
12	116-0039	1	Lever-Control Motion, RH	21	3256-6	2	Washer-Flat
13	116-0040	1	Lever-Control Motion, LH	22	32128-56	2	Nut-HF
				23	3256-23	2	Washer-Flat
				24	3218-5	2	Nut-Jam
				25	115-1794	2	Screw-HHF

● Use Pro-Lock, Nut Type (P/N 1-840022, .5ml tube) on threads.

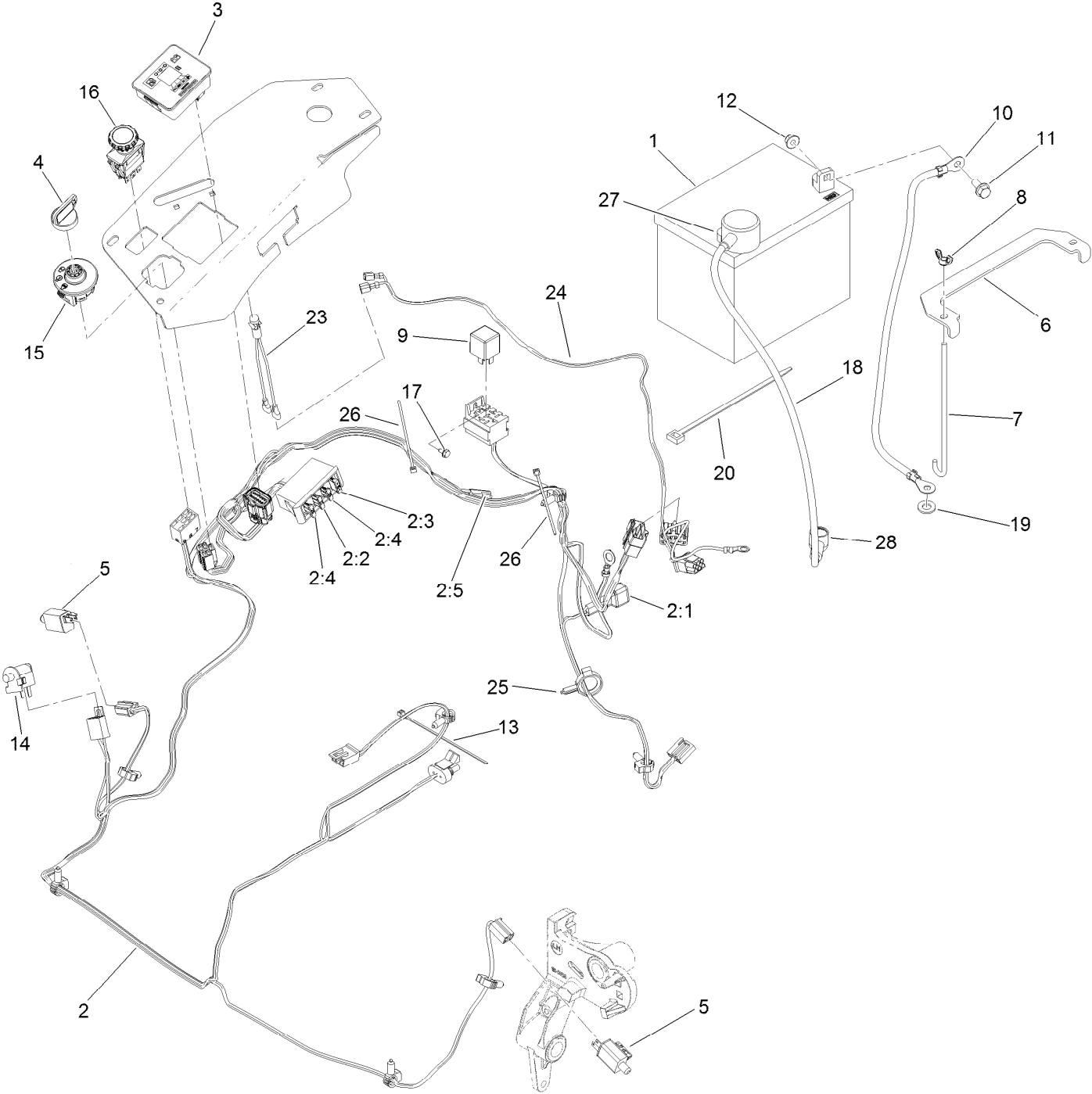
Console and Control Panel Assembly



Console and Control Panel Assembly (continued)

<i>Ref.</i>	<i>Part Number</i>	<i>Qty.</i>	<i>Description</i>	<i>Ref.</i>	<i>Part Number</i>	<i>Qty.</i>	<i>Description</i>
1	119-2602	1	LH Console ASM	5:2	115-3868	1	Cable-Throttle
2	119-2603	1	RH Console ASM	6	1-807513	2	Bolt-CARR
2:2	107069	4	Clip	7	3296-2	2	Nut-Lock, NI
3	121-7587	1	Control Panel W/Decal ASM	8	32105-15	4	Screw-HWH
3:2	121-7586	1	Decal-Panel, Control	9	1-603175	1	Knob-Ball
3:3	114-4466	1	Decal-Fuses	10	105-1853	1	Clamp-Hose
5	115-2752	1	Throttle Control ASM	12	117-7817	1	Clamp-Harness
5:1	112-2334	1	Lever-Throttle				

Electrical System Assembly



Electrical System Assembly (continued)

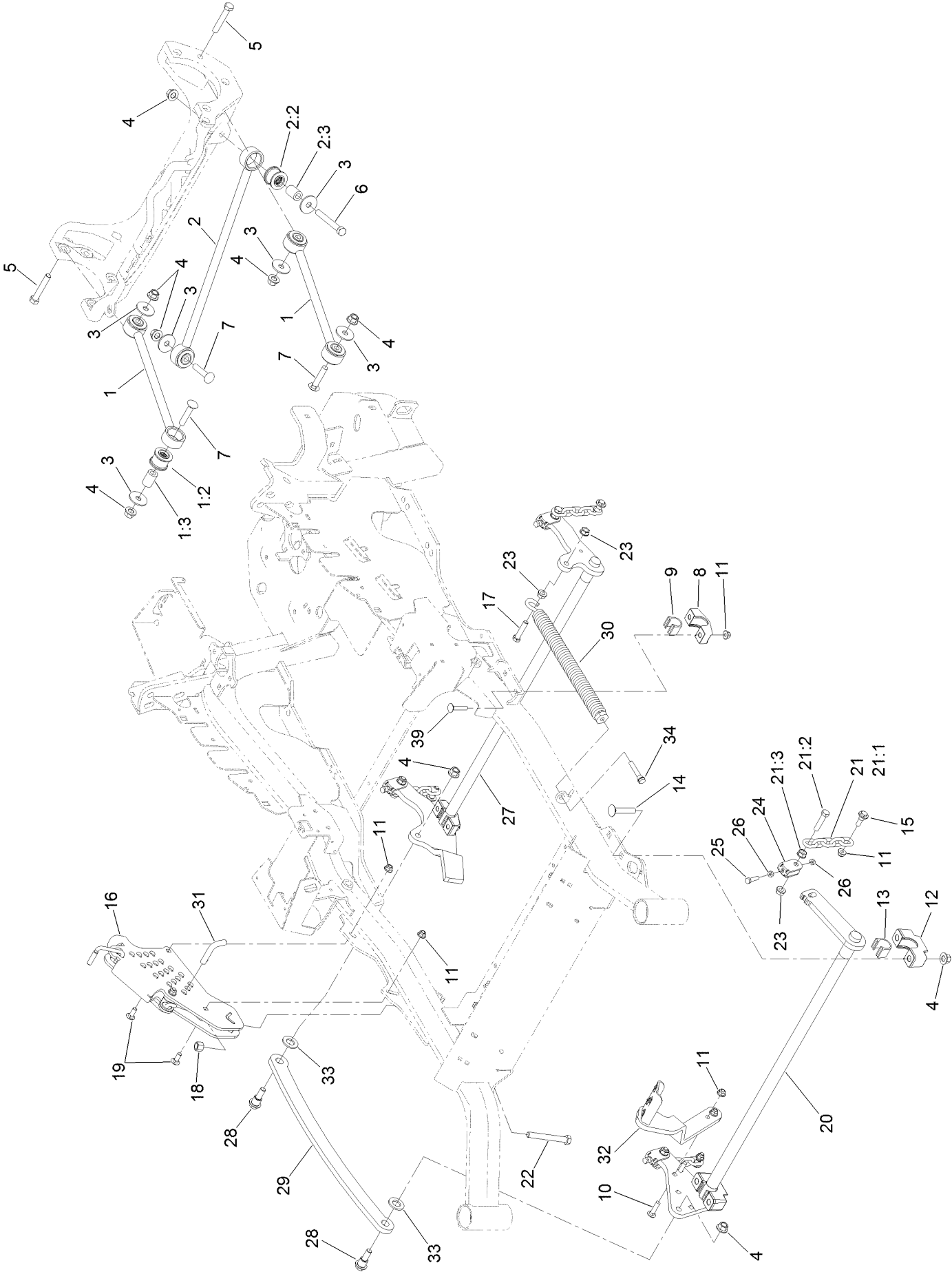
<i>Ref.</i>	<i>Part Number</i>	<i>Qty.</i>	<i>Description</i>	<i>Ref.</i>	<i>Part Number</i>	<i>Qty.</i>	<i>Description</i>
1	104-8162	1	Battery-Dry	11	3234-5	2	Screw-HHF
1		1	Battery (300 Cca, Wet) ●■	12	104-8300	2	Nut-Flange, NI
2	116-6009	1	Harness-Wire, Main ▲	13	1-303287	3	Tie-Cable
2:1	103-3895	1	Diode-Tvs	14	82-2190	1	Switch-Bail
2:2	218-578	1	Fuse-Blade, 10 Amp	15	117-2221	1	Switch-Ignition
2:3	109355	1	Fuse-Blade, 15 Amp	16	116-0124	1	Switch-PTO, 10A
2:4	109102	2	Fuse-Blade, 25 Amp	17	104-2065	1	Screw-HWH
2:5	116-0053	1	Cap-Plug	18	115-3864	1	Cable-Battery, Positive
3	117-3882	1	Fuel/Hour Meter ASM	19	3256-24	1	Washer-Flat
4	63-8360	1	Key-Ignition	20	1-303335	1	Tie-Plastic
5	110-6765	2	Switch	23	1-643267	1	Indicator-Led, Red
6	116-0042-03	1	Strap-Tie Down, Battery	24	116-3062	1	Harness-Light, Indicator
7	1-633651	2	Bolt-Holddown	25	105-1853	1	Clamp-Hose
8	1-543792	2	Wingnut	26	1-303287	2	Tie-Cable
9	1-643275	1	Relay	27	109-2407	1	Insulator-Battery
10	114-1218	1	Cable-Battery, Negative	28	1-543393	1	Insulator-Solenoid

● Obtain locally.

■ Not serviced separately

▲ Use dielectric grease on all unsealed connectors and terminals only. Do not apply in sealed connectors.

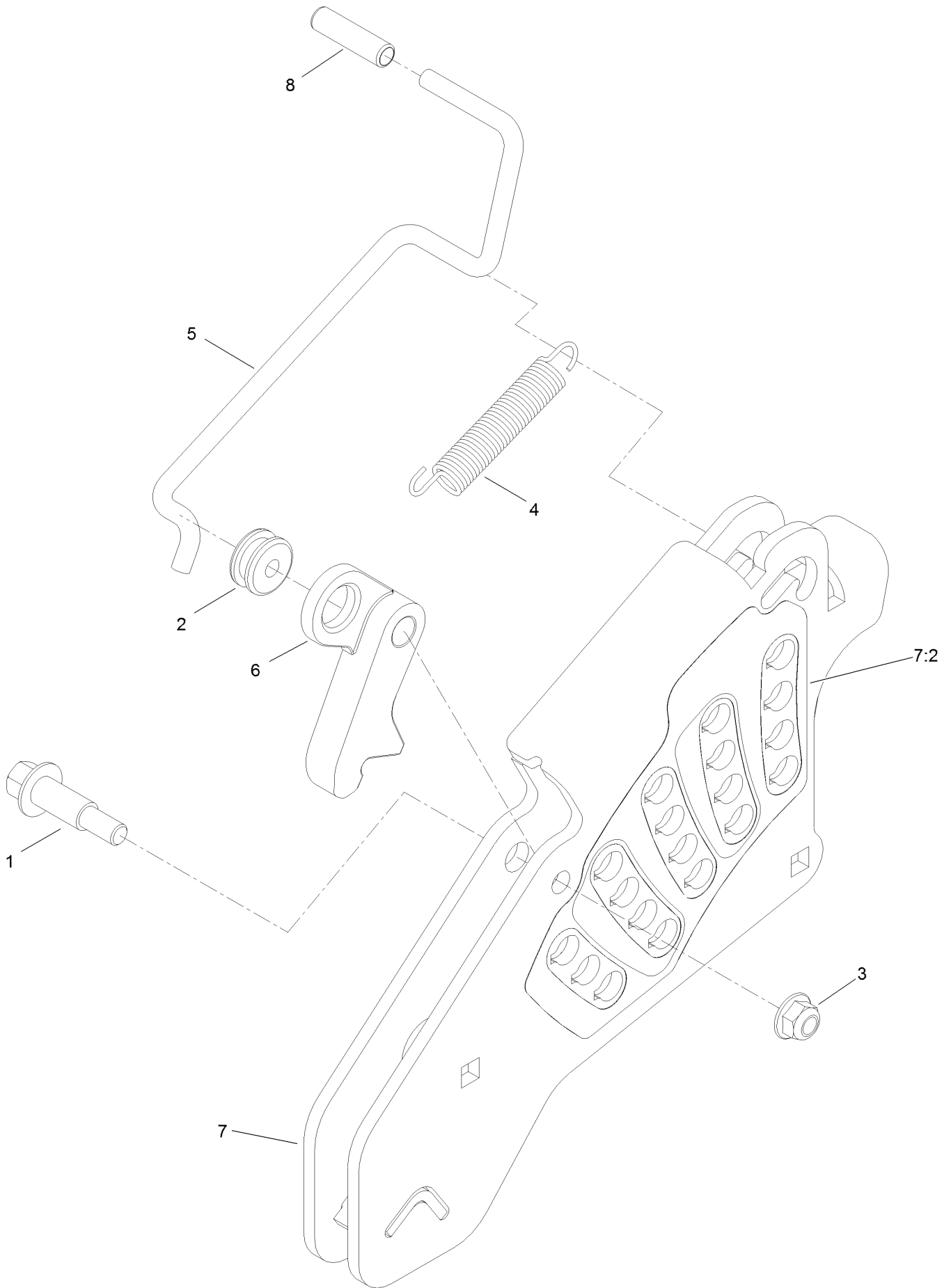
Decklift Assembly



Decklift Assembly (continued)

<i>Ref.</i>	<i>Part Number</i>	<i>Qty.</i>	<i>Description</i>	<i>Ref.</i>	<i>Part Number</i>	<i>Qty.</i>	<i>Description</i>
1	109-7952	2	Deck Strut ASM	16	109-7438	1	HOC ASM
1:2	109-5009	2	Bushing-Suspension, Rubber	17	109-9065	1	Screw-HH
1:3	109-5010	2	Spacer	18	3296-23	1	Nut-Lock, NI
2	109-5013	1	Panhard Rod ASM	19	3231-2	2	Bolt-CARR
2:2	109-5009	2	Bushing-Suspension, Rubber	20	126-2475-03	1	Decklift-Front
2:3	109-5010	2	Spacer	21	116-0756	4	Deck Lift Chain ASM
3	86-1990	6	Washer-Thrust	21:1	1-633447	1	Chain-Lift, Deck
4	99-5107	12	Nut-Lock	21:2	109-9065	1	Screw-HH
5	325-12	2	Screw-HH	21:3	32128-37	1	Nut-HF
6	325-17	1	Screw-HH	22	116-0559	1	Bolt-TAP
7	3233-34	3	Screw-CARR	23	32128-37	6	Nut-HF
8	116-0818-03	2	Support-Cross Shaft, Rear Bearing	24	109-9066	4	Yoke-Adjust, Deck
9	109-7173	2	Bearing-Cross Shaft, Rear	25	322-47	4	Screw-HH
10	3231-4	2	Screw-CARR	26	3218-2	8	Nut-Jam
11	104-8301	12	Nut-Flange, NI	27	116-0459-03	1	Lift-Deck, Rear
12	109-9409	2	Support-Cross Shaft, Front Bearing	28	116-0780	2	Screw-HHF, Shoulder
13	109-9410	2	Bearing-Cross Shaft, Front	29	116-0797-03	1	Link-Lift, Deck
14	116-1700	4	Bolt-CARR	30	116-0000	1	Extension Spring ASM
15	109-9840	4	Screw-Shoulder, HHF	31	116-5584	1	Pin-HOC
				32	116-1919-01	1	Lever-Foot
				33	3256-28	2	Washer-Flat
				34	92-7674	1	Bolt-Shoulder
				39	3231-5	4	Screw-CARR

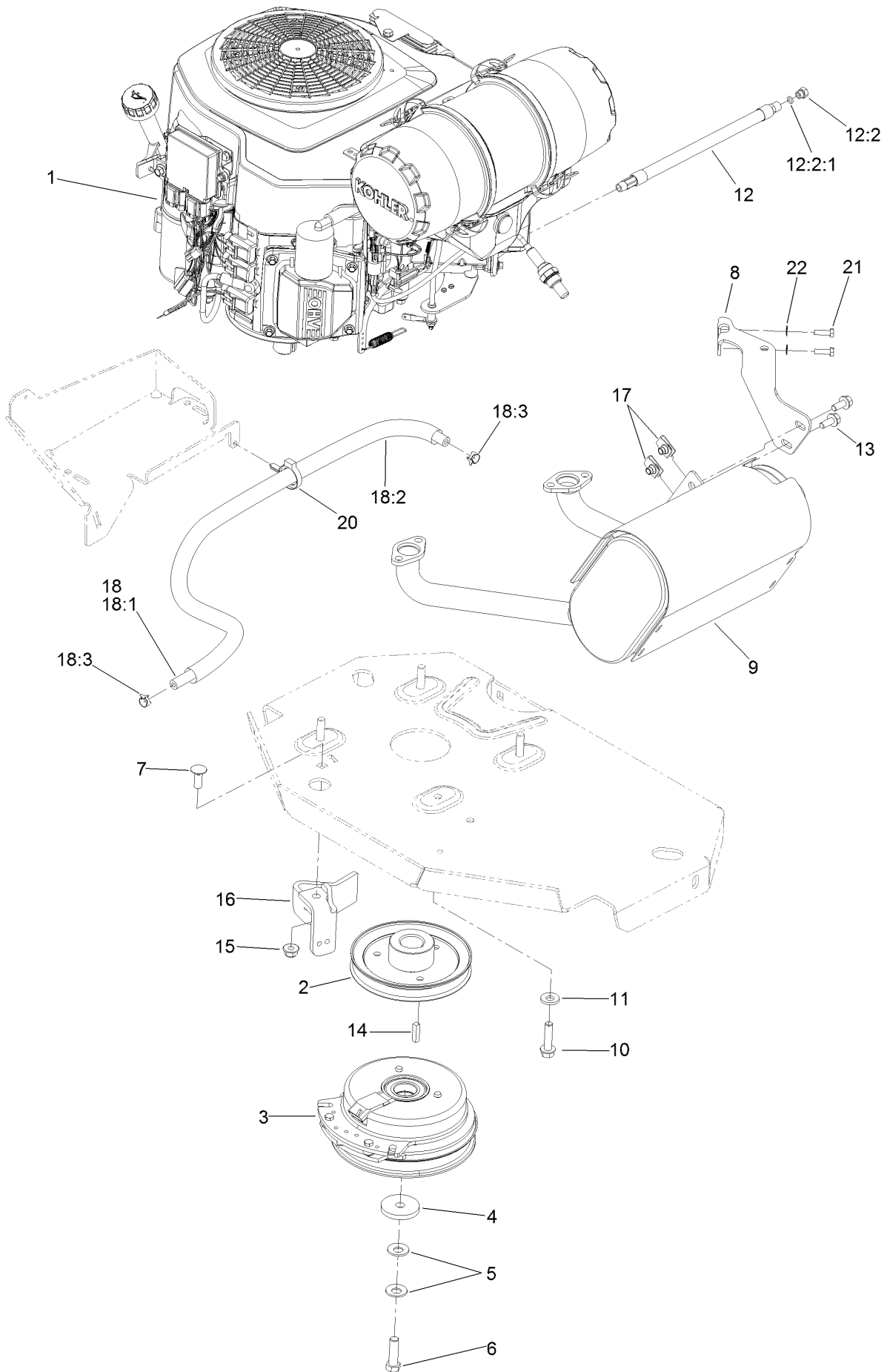
Height-of-Cut Assembly No. 109-7438



Height-of-Cut Assembly No. 109-7438 (continued)

<i>Ref.</i>	<i>Part Number</i>	<i>Qty.</i>	<i>Description</i>	<i>Ref.</i>	<i>Part Number</i>	<i>Qty.</i>	<i>Description</i>
1	62-1330	1	Bolt-Shoulder	6	116-0118	1	Pawl-Transport, HOC
2	109-7130	1	Grommet	7	109-7335	1	HOC Plate ASM
3	104-8301	1	Nut-Flange, NI	7:2	126-4398	1	Decal-HOC
4	109-7124	1	Spring-Extension	8	109-8250	1	Grip-Lever
5	109-7128	1	Rod-Lock, Transport				

Engine, Clutch and Muffler Assembly



Engine, Clutch and Muffler Assembly (continued)

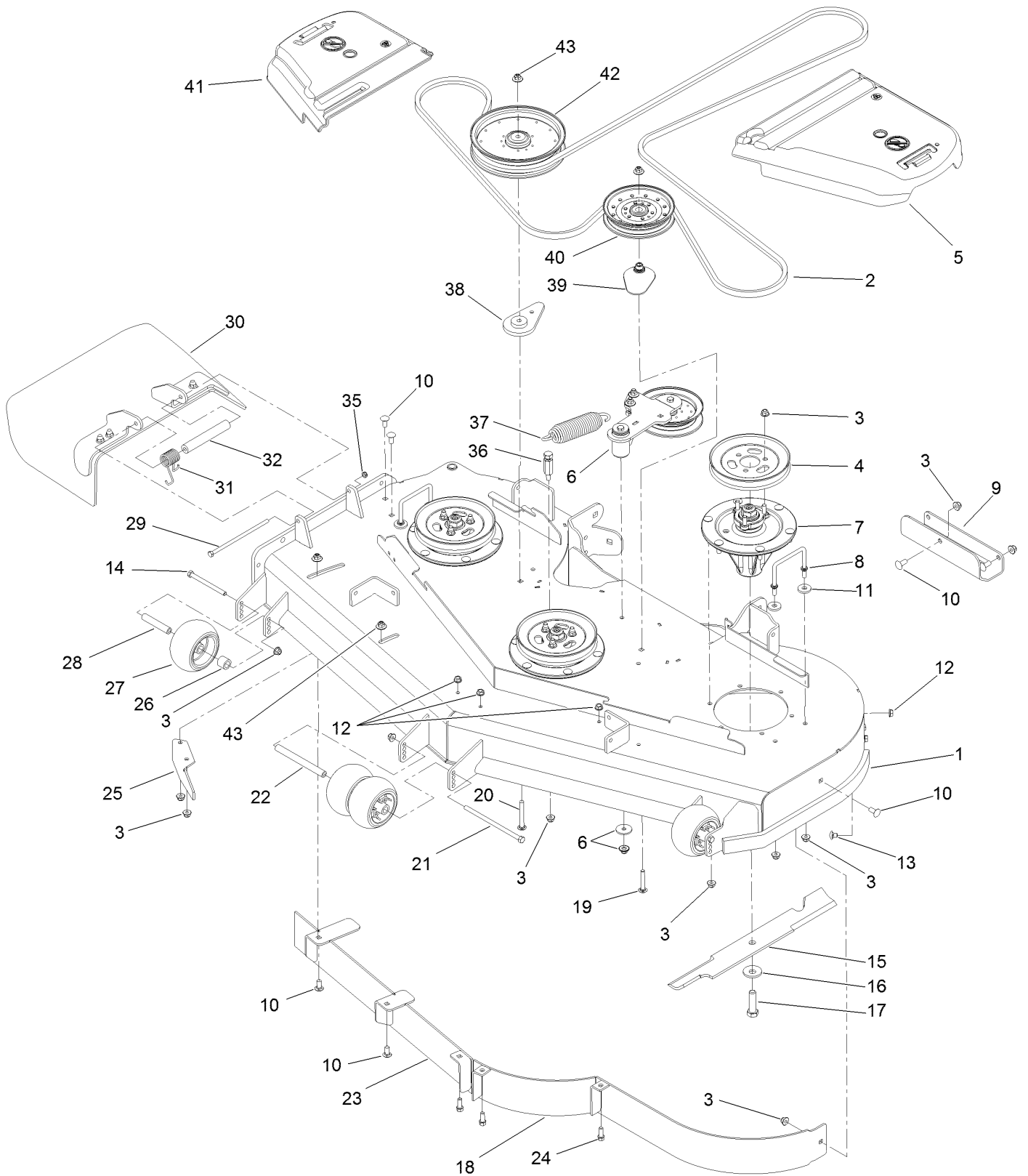
<i>Ref.</i>	<i>Part Number</i>	<i>Qty.</i>	<i>Description</i>	<i>Ref.</i>	<i>Part Number</i>	<i>Qty.</i>	<i>Description</i>
1		1	Engine-Kohler, Ps-Ecv740-3012 ●■	12:2:1	237-42	1	O-Ring
2	109-9905	1	Sheave	13	3234-5	2	Screw-HHF
3	116-1620	1	Clutch Kit	14	1-807259	1	Key
4	109-6919	1	Washer-Clutch	15	104-8301	1	Nut-Flange, NI
5	1-603610	2	Washer-Spring	16	116-2612-01	1	Clutch-Anchor
6	109-9761	1	Screw-HH ▲	17	94-2413	2	U-Nut
7	3231-22	1	Screw-CARR	18	117-3893	1	Fuel Line ASM
8	116-4297	1	Muffler Bracket Kit	18:1	109-0273	1	Hose-Fuel
9	116-2038	1	Muffler	18:2	117-3892	1	Sleeve-Thermal
10	32144-102	4	Screw-HWH	18:3	2412-98	2	Clamp-Hose
11	98-5975	4	Washer-Belleville	20	104-2490	1	Clamp-Hose
12	116-5316	1	Oil Drain Hose ASM	21	116-4295	2	Screw-HH
12:2	353-508	1	Plug-HH	22	1-303435	2	Washer-Spring

● Not serviced separately

▲ Use Pro-Lock, Nut Type (P/N 1-840022, .5ml tube) on threads.

■ Obtain parts from www.kohlerplus.com

Deck Assembly

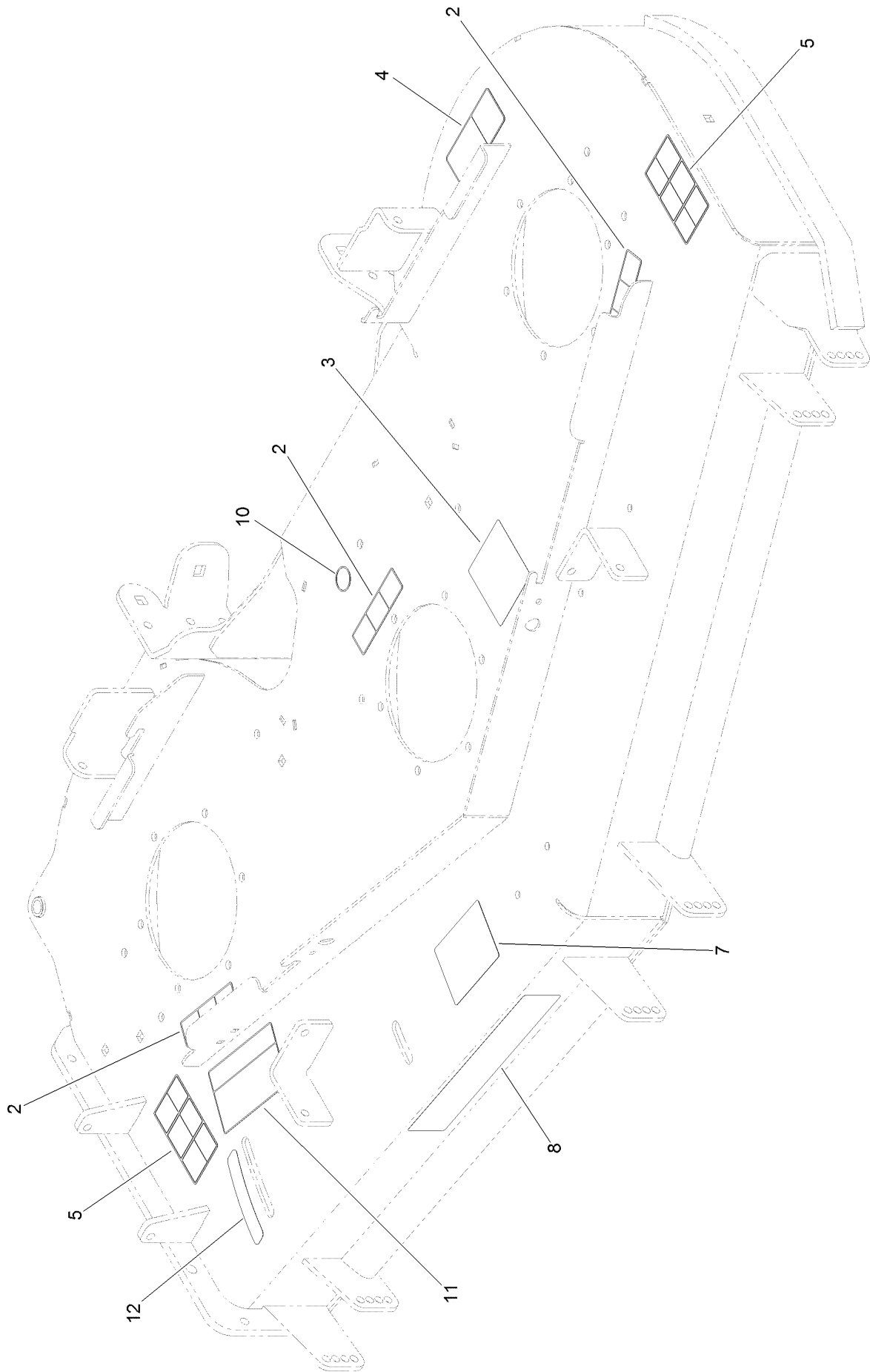


Deck Assembly (continued)

<i>Ref.</i>	<i>Part Number</i>	<i>Qty.</i>	<i>Description</i>	<i>Ref.</i>	<i>Part Number</i>	<i>Qty.</i>	<i>Description</i>
1	114-5815	1	Deck Decal ASM	22	98-5967	1	Spacer-Wheel
2	114-5858	1	Belt-V	23	115-7465-01	1	Baffle
3	104-8301	42	Nut-Flange, NI	24	92-1624	3	Screw-HWH
4	105-7734	3	Pulley	25	106-3216-01	1	Baffle-Discharge
5	109-6938	1	Cover-Belt, LH	26	98-7913	2	Tube-Spacer
6		1	Idler Arm ASM ●	27	1-603299	4	Roller-Scalp, Anti
7	119-8560	3	Spindle ASM	28	98-7912	2	Tube-Spanner
8	109-6982	2	Wireform-Cover	29	322-50	1	Screw-HH
9	121-8031-01	1	Plate-Skid	30	108-2792	1	Rubber Deflector ASM
10	3231-27	9	Screw-CARR	31	108-4052	1	Spring-Torsion
11	1-373034	4	Washer	32	105-4622	1	Spacer
12	3290-357	6	Nut-HHF, Whiz	35	3296-47	1	Nut-Lock, NI
13	108-5387	3	Screw-CARR	36	114-5867	1	Anchor-Spring, Tall
14	323-23	2	Screw-HH	37	116-6317	1	Spring-Extension
15	105-7718-03	3	Blade-Hi Flow	38	109-9416	1	Spacer-Idler
16	103-0865	3	Washer-Blade Bolt, Heavy	39	109-2872	1	Spacer-Pulley
17	51-4060	3	Screw-Blade	40	116-4670	1	Pulley-Idler, Flat
18	114-5842-01	1	Baffle	41	116-0094	1	Cover-Belt, RH
19	3231-40	1	Bolt-CARR, Short Neck	42	109-8590	1	Pulley-Idler
20	3231-42	1	Screw-CARR	43	109-6658	4	Nut-Flange, NI
21	108-5388	1	Screw-HH				

● Not serviced separately

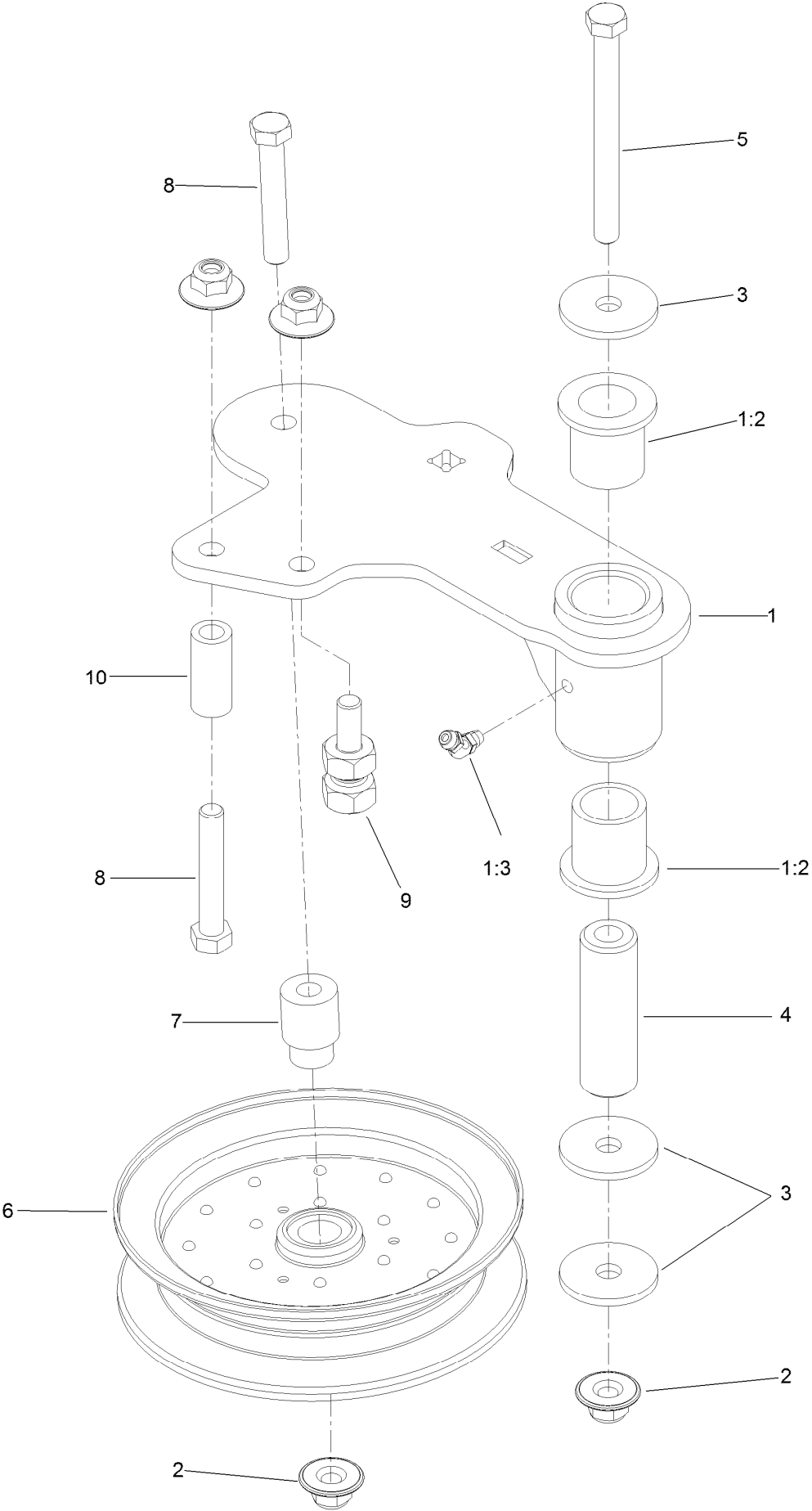
Deck Decal Assembly No. 114-5815



Deck Decal Assembly No. 114-5815 (continued)

<i>Ref.</i>	<i>Part Number</i>	<i>Qty.</i>	<i>Description</i>	<i>Ref.</i>	<i>Part Number</i>	<i>Qty.</i>	<i>Description</i>
2	112-9028	3	Decal-Cover Missing	8	107-1619	1	Decal
3	115-7445	1	Decal-Routing, Deck Belt	10	58-6520	1	Decal-Grease
4	93-7818	1	Decal-Torque, Blade Bolt	11	110-2068	1	Decal-Adjustment, Baffle
5	117-3848	2	Decal-Danger	12	110-2067	1	Decal-Setting, Baffle
7	127-0326	1	Decal-Anti Scalp				

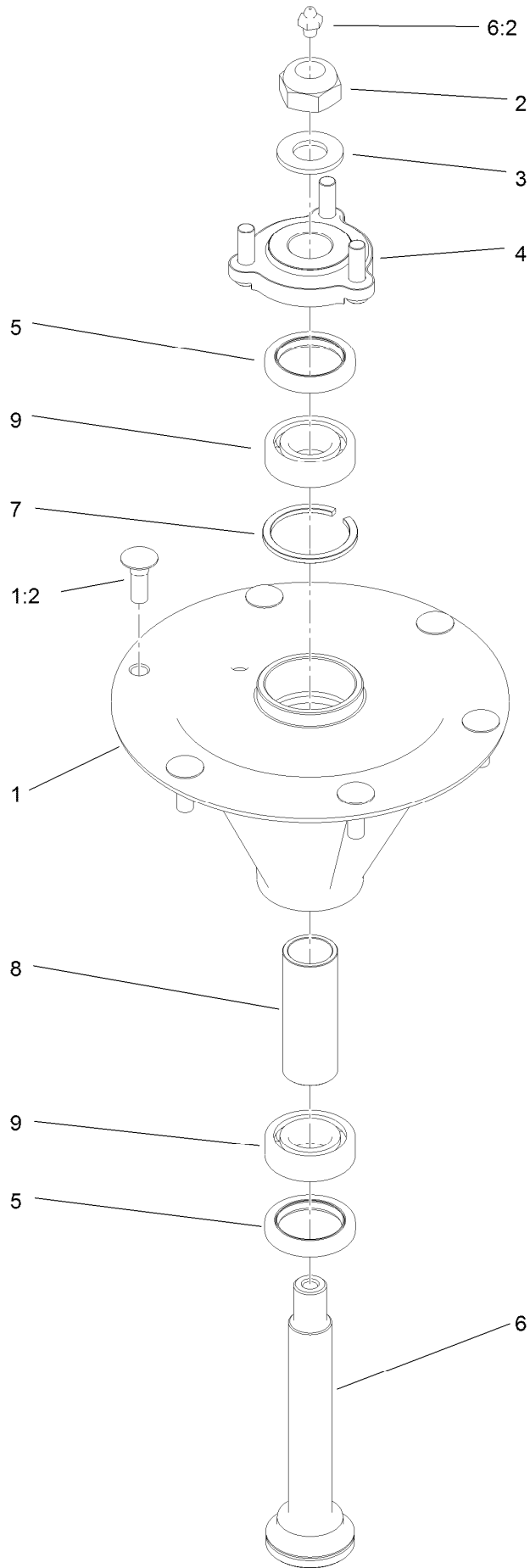
Idler Assembly



Idler Assembly (continued)

<i>Ref.</i>	<i>Part Number</i>	<i>Qty.</i>	<i>Description</i>	<i>Ref.</i>	<i>Part Number</i>	<i>Qty.</i>	<i>Description</i>
1	114-5870	1	Idler Arm ASM	5	98-5961	1	Screw-HH
1:2	1-303514	2	Bearing-Flanged	6	116-4668	1	Idler-Pulley, Flanged
1:3	1481	1	Fitting-Grease	7	112-4212	1	Mount-Pulley
2	109-6658	4	Nut-Flange, NI	8	323-11	2	Screw-HH
3	1-213069	3	Washer	9	114-5866	1	Anchor-Spring, Short
4	114-5848	1	Spacer-Plain	10	104-0151	1	Spacer

Spindle Assembly No. 119-8560



Spindle Assembly No. 119-8560 (continued)

<i>Ref.</i>	<i>Part Number</i>	<i>Qty.</i>	<i>Description</i>	<i>Ref.</i>	<i>Part Number</i>	<i>Qty.</i>	<i>Description</i>
1		1	Spindle Housing And Studs ASM ●	5	253-133	2	Seal-Oil
1:2	114-8195	6	Bolt-Ribbed Neck	6	119-8527	1	Shaft-Spindle
2	3296-67	1	Nut-Lock, NI	6:2	302-2	1	Fitting-Grease
3	92-5836	1	Washer	7	119-8532	1	Snap Ring
4	117-6172	1	Spindle Hub ASM	8	117-6184	1	Spacer
				9	119-8558	2	Bearing-Noseal

● Not serviced separately

Rubber Deflector Assembly No. 108-2792



Rubber Deflector Assembly No. 108-2792 (continued)

<i>Ref.</i>	<i>Part Number</i>	<i>Qty.</i>	<i>Description</i>	<i>Ref.</i>	<i>Part Number</i>	<i>Qty.</i>	<i>Description</i>
1	3231-4	4	Screw-CARR	5	108-4059-01	1	Plate-Hinge, Rear
2	106-3246-01	1	Deflector	6	106-3253-01	1	Plate-Hinge, Front
3	106-3248-03	1	Strap-Discharge	7	104-8301	4	Nut-Flange, NI
4	108-5029	1	Deflector-Rubber				

Attachments and Accessories

For 74930 Z Master Professional 5000 Series Riding Mower with 60in TURBO FORCE Side Discharge Mower

Product Name	Model/Part
Blade-Mid Flow, 20.5in	105-7715-03
Blade-Lo Flow, 20.5in	105-7716-03
Blade-Hi Flow, 20.5in.....	105-7718-03
Blade-Recycler, 20.5in.....	105-7777-03
Blade-Atomic, 20.5in	105-8777-03
Turbo Baffle Kit	107-1634
6 Pack Blade, 20.5in Hi-Flow	108-1114
6 Pack-Blade, 20.5in Atomic.....	108-1115
6 Pack Blade, 20.5in Mid-Flow	108-1123
6 Pack-Blade, 20.5in Lo Flow	108-1128
Anti-Scalp Kit (Trim Side).....	108-4140
Hitch Kit	109-9487
6 Pack-Blade, 20.5in Recycler.....	110-0405
Hypr-Oil 500 (quart).....	114-4713
Hypr-Oil 500 (gallon).....	114-4714
Hypr-Oil 500-5 (5 gallon).....	114-4715
Bimini Folding Shade Assembly	115-4510
Recycler Kit	115-7468
Roller Striper Kit.....	115-7470
Light Kit.....	116-1154
Operator Controlled Discharge Chute Kit.....	117-3600
Deluxe Suspension Seat Kit	117-6174
Z Stand Kit.....	121-4811
Deluxe Seat Kit.....	121-7595
Seat Tilt Frame And Iso Mount Kit.....	121-7596
MVP Belt and Blade Kit.....	127-1639
Toro Deluxe Rider Cover.....	490-7319
Spark Arrestor Screen	75-6880
Blower and Drive Kit	78553
E-Z Vac Triple Bagging System	78563
E-Z Vac DFS Collection System	78567
Filter Minder Gauge	99-4664
Trash Holder Kit.....	TC26

Notes:



Count on it.