



Count on it.

Parts Catalog

TX 525 Compact Utility Loader

Model No. 22323—Serial No. 314000001 and Up

Model No. 22323G—Serial No. 314000001 and Up



Ordering Replacement Parts

To order replacement parts, please supply the part number, the quantity, and the description of each part desired.

Understanding Reference Numbers

Each identified part in an illustration has a reference number. The reference number for a part also appears in the parts list, along with other information about the part.

This catalog uses two special reference number formats, one to indicate parts in a service assembly and another to indicate the quantity of a given part in an illustration.

Service Assembly Reference Numbers

Parts in service assemblies have reference numbers in the form a:b. The a represents the reference number of the entire service assembly and the b represents a sequential number unique to each part within the service assembly.

For example, a wheel assembly might be identified by reference number 6, the tire by 6:1, the valve by 6:2, and the wheel by 6:3. When you order the assembly identified by reference number 6, you receive all parts identified by reference numbers 6:1, 6:2, and 6:3. However, you may also order any part individually. Reference numbers of this type appear in illustration and in parts lists.

Reference Numbers Indicating Quantity

In an illustration, if a reference number indicates more than one part, the reference number has the form nX y. The n represents the quantity of the part, the X is the multiplication symbol, and the y represents the reference number.

For example, in an illustration, the reference number 2X 37 means that two of the parts identified by reference number 37 are indicated.

List of Abbreviations

AR: as required

ASM: assembly

BBC: blade brake control

BHTF: button head thread forming

CARR: carriage

CCW: counter clockwise

CW: clockwise

DEG: degrees

DPA: Dual Point Adjustment

ECM: electronic control module

EXT: external

FH: flat head

GA: gauge

HD: heavy-duty

HF: hex flange

HH: hex head

HHF: hex head flange

HHFTF: hex head flange thread forming

HJ: hex jam

HLH: hex lag head

HOC: height-of-cut

HP: high pressure

HSBH: hex socket button head

HSFH: hex socket flat head

HSH: hex socket head

HWH: hex washer head

HWHTF: hex washer head thread forming

HYD: hydraulic

LH: left hand

LP: low pressure

LPG: Liquefied Petroleum Gas

NI: nylon insert

NPTF: national pipe thread fine

PFH: phillips flat head

PPH: phillips pan head

PPHTF: phillips pan head thread forming

PRH: phillips round head

PTH: phillips truss head

PTO: power-take-off

RH: right hand

ROPS: roll-over protection system

RRB: rear roller brush

SFH: slotted fillister head

SHH: slotted hex head

SHWH: slotted hex washer head

SPH: slotted pan head

SQH: square head

SRH: slotted round head

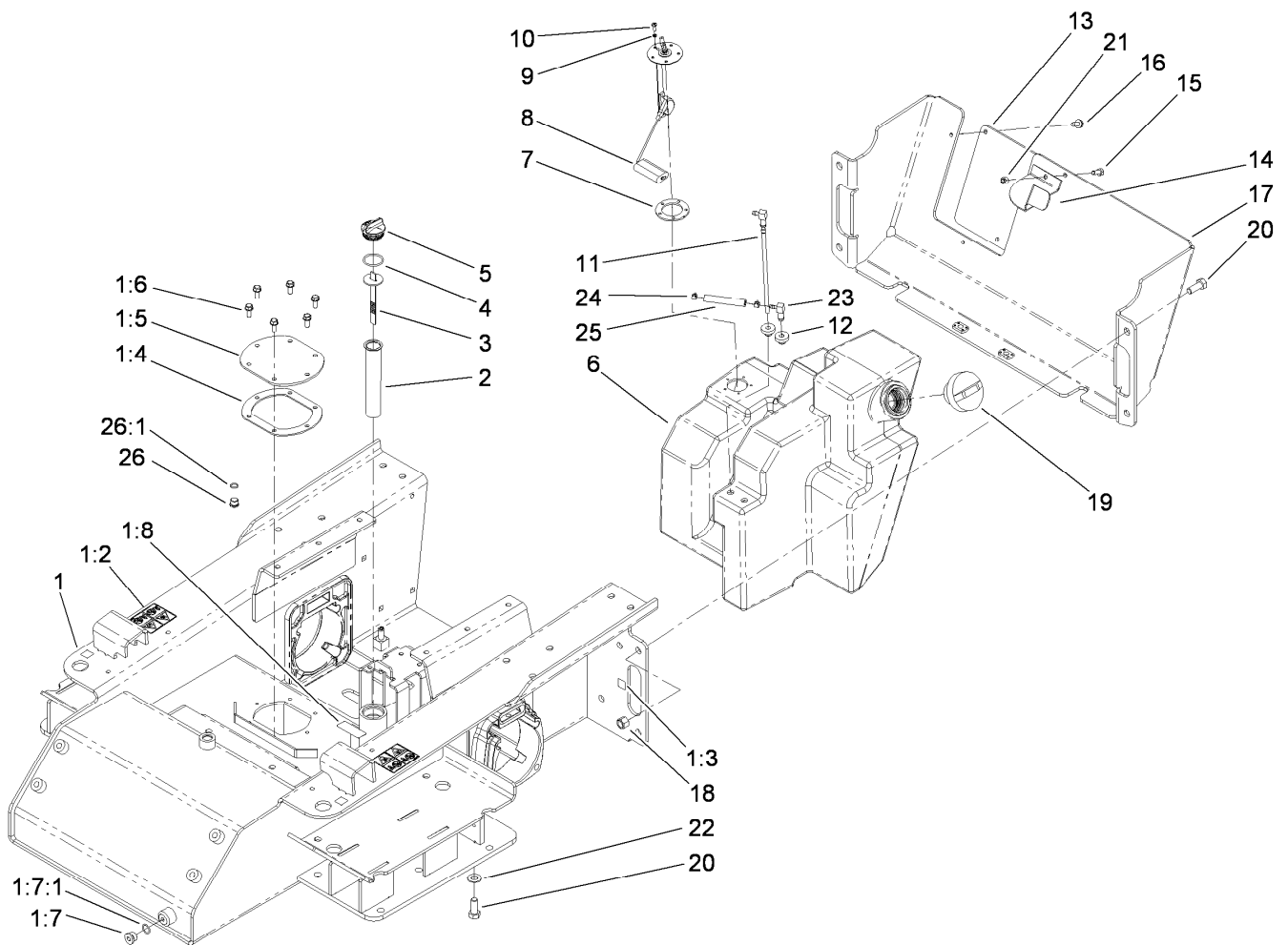
STD: standard

TAP: self tapping

TTH: torx truss head

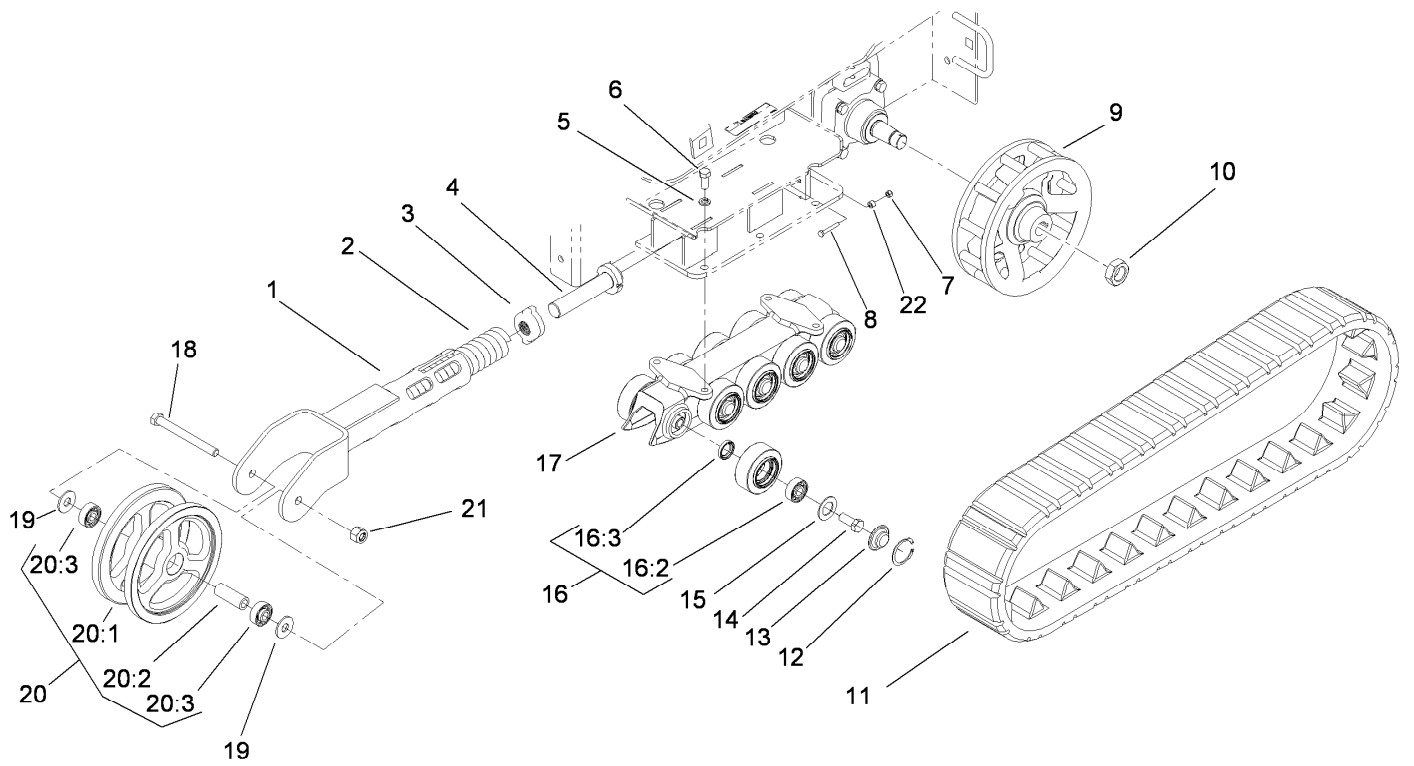
Contents

Main Frame and Fuel Tank Assembly	4
Track and Traction Assembly	5
Parking Brake Assembly	6
Loader Tower, Fuel Pump and Drive Assembly	7
Traction Hydraulic Assembly	9
Hydraulic Pump Assembly No. 106-9590 and 106-9591	11
Hydraulic Motor Assembly No. 106-7654	12
Radiator and Air Cleaner Assembly	13
Air Cleaner Assembly No. 117-9989	15
Hydraulic Pump and Filter Assembly	16
Hydraulic Pump Assembly No. 106-9589	18
Control Panel Assembly	19
Traction Control Assembly	21
Principal Hydraulic Assembly	22
Two Spool Valve Assembly No. 106-9307	24
One Spool Valve Assembly No. 104-2831	25
Loader Arm Assembly	26
Loader Arm Hydraulic Assembly	27
Left Hand Hydraulic Lift Cylinder Assembly No. 117-1831	29
Right Hand Hydraulic Lift Cylinder Assembly No. 117-1832	30
Hydraulic Cylinder Assembly No. 117-1833	31
Quick Attach Assembly	32
Electrical System Assembly	33
Grill Assembly	35
Hood Assembly	36
Rear Access Cover Assembly	37
Crankcase Assembly	38
Oil Pan and Oil Pump Assembly	39
Cylinder Head Assembly	40
Gear Case and Oil Filter Cartridge Assembly	41
Cylinder Head Cover Assembly	42
Dipstick and Guide Assembly	43
Main Bearing Case Assembly	44
Camshaft and Idle Gear Shaft Assembly	45
Piston and Crankshaft Assembly	46
Fuel Camshaft Assembly	47
Idle Apparatus and Fuel Pump Cover Assembly	48
Stop Solenoid and Speed Control Plate Assembly	49
Injection Pump Assembly	50
Governor Assembly	51
Valve and Rocker Arm Assembly	52
Nozzle Holder and Glow Plug Assembly	53
Nozzle Holder Assembly	54
Alternator, Pulley and Fan Assembly	56
Alternator Components Assembly	57
Starter and Flywheel Assembly	58
Starter Component Assembly	59
Water Flange and Thermostat Assembly	60
Water Pump and Water Pipe Assembly	61
Inlet and Exhaust Manifold Assembly	62
Miscellaneous Engine Parts	63
Upper Engine Gasket Kit	64
Lower Engine Gasket Kit	65
Attachments and Accessories	66



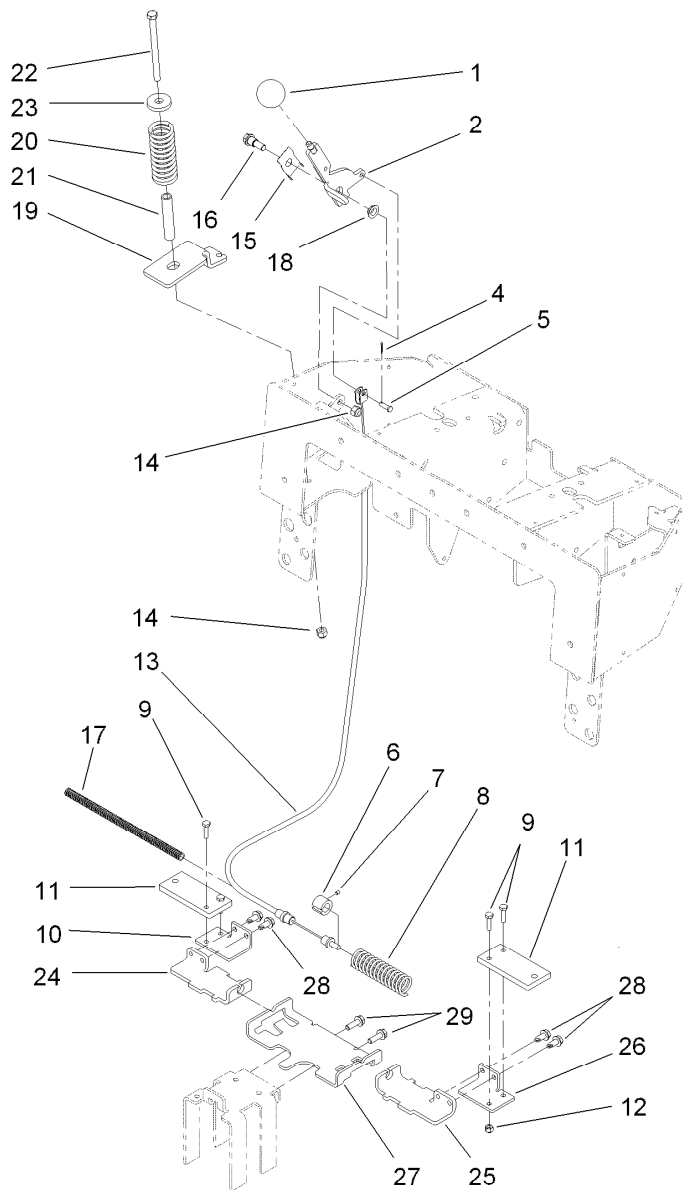
Main Frame and Fuel Tank Assembly

<i>Ref.</i>	<i>Part Number</i>	<i>Qty.</i>	<i>Description</i>	<i>Ref.</i>	<i>Part Number</i>	<i>Qty.</i>	<i>Description</i>
1	115-4834	1	Chassis ASM	11	98-0185	1	Stand-Pipe
1:2	100-4650	2	Decal-Warning	12	46-6560	2	Bushing
1:3	93-9084	4	Decal-Point, Lift	13	108-6267-01	1	Panel-Rear
1:4	107-3557	1	Gasket-Cover, Access	14	108-6273-01	1	Clamp-Tank, Fuel
1:5	108-6297-01	1	Cover-Tank	15	322-3	1	Screw-HH
1:6	98-9940	6	Screw	16	32144-11	3	Screw-HWHTF
1:7	353-988	2	Plug-Hex	17	114-8911-01	1	Cover-Rear
1:7:1	237-79	1	O-Ring	18	3296-23	4	Nut-Lock, NI
1:8	93-6686	1	Decal-Oil, HYD	19	107-2172	1	Cap-Diesel
2	61-2790	1	Filter-Screen	20	325-5	6	Screw-HH
3	100-2097	1	Dipstick-Oil	21	3296-29	1	Nut-Lock, NI
4	237-123	1	O-Ring	22	3256-26	2	Washer-Flat
5	93-7498	1	Plug-Plastic	23	104-5228	1	Fitting-Elbow, 90 DEG
6	115-4800	1	Tank-Fuel	24	2412-80	2	Clamp-Hose
7	113372	1	Gasket-Sender, Fuel	25	108-6344	1	Hose-Fuel
8	100-1298	1	Sender-Fuel	26	353-989	1	Plug-Hex, Hollow
9	3253-17	5	Washer-Lock	26:1	237-42	1	O-Ring
10	3250-31	5	Screw-PPH				



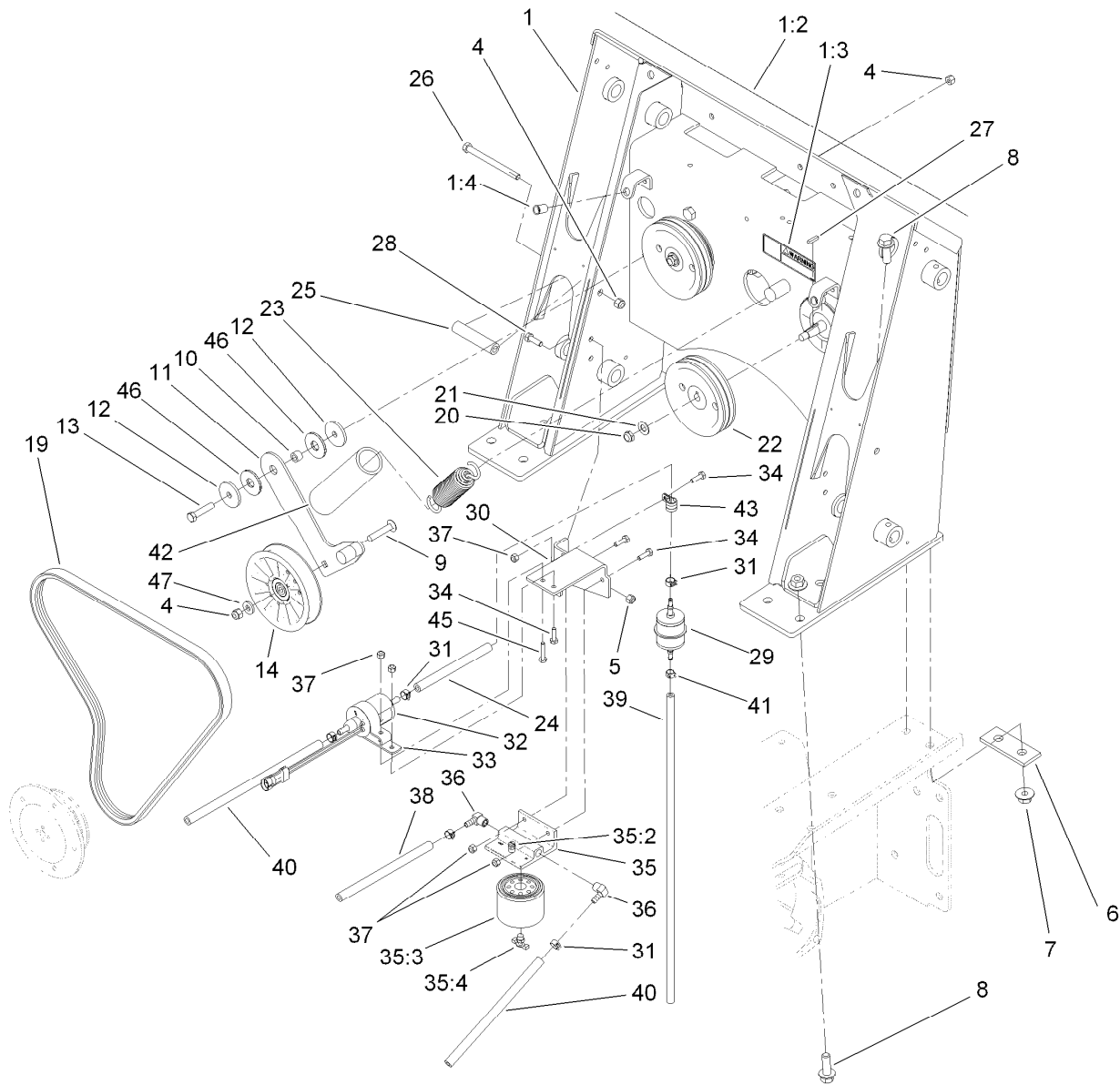
Track and Traction Assembly

<i>Ref.</i>	<i>Part Number</i>	<i>Qty.</i>	<i>Description</i>	<i>Ref.</i>	<i>Part Number</i>	<i>Qty.</i>	<i>Description</i>
1	108-4691-03	2	Arm-Tensioner	15	106-7585	20	Gasket-Bogie
2	95-3624	2	Spring-Compression	16	106-7621	20	Road Wheel ASM
3	108-4664	2	Block-Tensioner	16:2	120-5378	1	Bearing-Ball
4	98-9846	2	Bolt-Tensioner	16:3	253-118	1	Seal-Oil
5	3253-7	8	Washer-Lock	17	117-1310-03	2	Guide-Track
6	325-5	8	Screw-HH	18	327-17	2	Screw-HH
7	32128-32	2	Nut-HHF	19	3256-7	4	Washer-Flat
8	321-37	2	Screw-HH	20	104-5745	2	Tensioner Wheel ASM
9	108-5643-03	2	Wheel-Drive	20:1	104-5747-03	1	Wheel-Tensioner
10	107-9319	2	Nut-Hex	20:2	98-9835	1	Spacer-Wheel, Tensioner
11	98-9800	2	Track	20:3	120-5378	2	Bearing-Ball
12	106-7595	20	Ring-Snap, Internal	21	3296-24	2	Nut-Lock, NI
13	106-7557	20	Cap-Wheel, Bearing	22	98-4799	2	Spacer
14	327-4	20	Screw-HH				



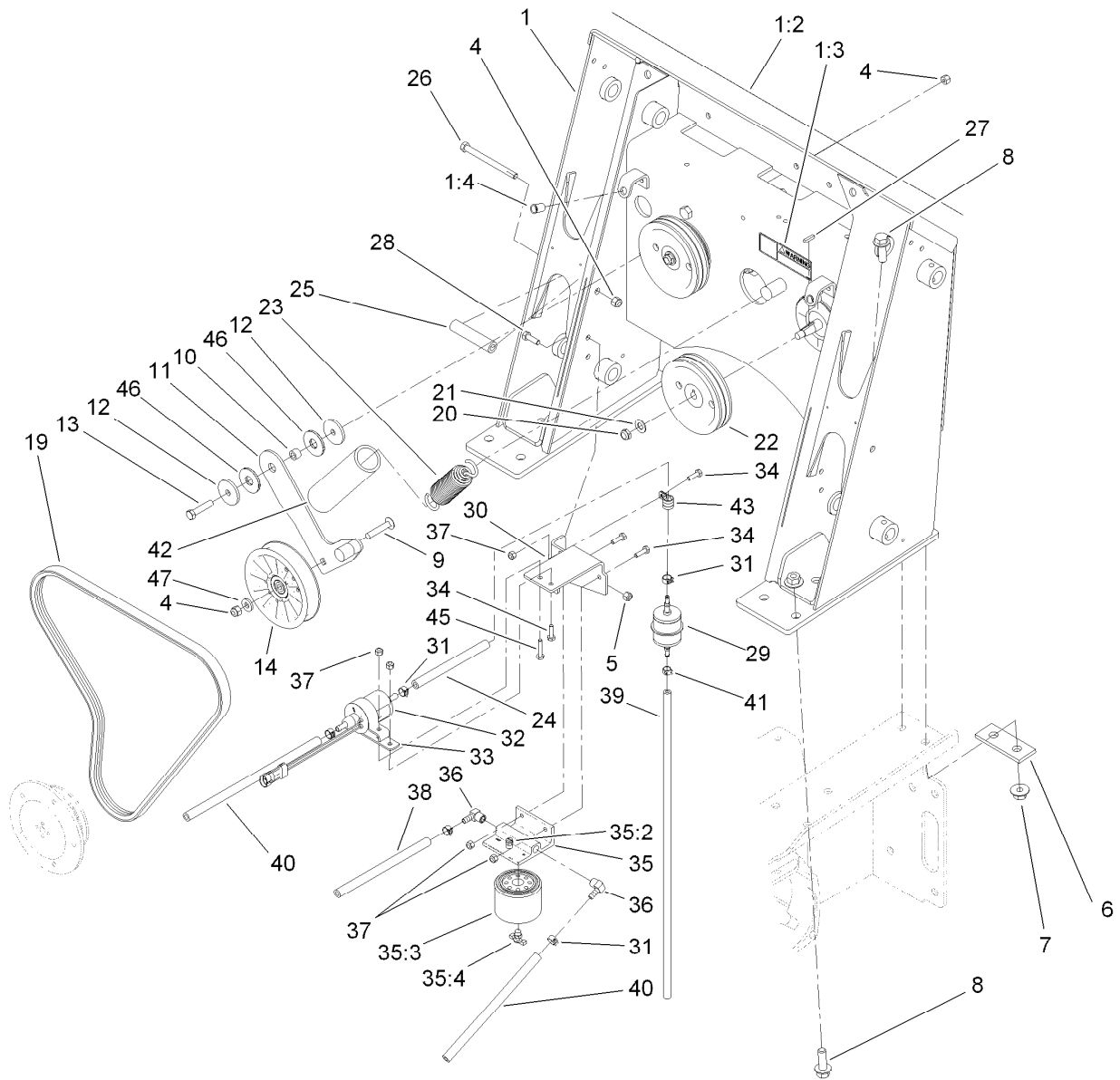
Parking Brake Assembly

<i>Ref.</i>	<i>Part Number</i>	<i>Qty.</i>	<i>Description</i>	<i>Ref.</i>	<i>Part Number</i>	<i>Qty.</i>	<i>Description</i>
1	233-21	1	Knob	17	100-4697	1	Tube-Convuluted
2	112-2694-03	1	Handle-Brake	18	93-2368	1	Bushing-Flange
4	3272-1	1	Pin-Cotter	19	115-4854-03	1	Bracket-Cable, Spring
5	283-67	1	Pin-Clevis	20	114-1254	1	Spring-Compression
6	100-6274	2	Tube-Guide	21	114-1255	1	Spacer-Spring
7	3245-20	2	Screw-HSH	22	323-39	1	Screw-HH
8	100-1678	1	Spring	23	98-0691	1	Washer-Hardened
9	321-6	4	Screw-HH	24	112-2788-03	1	Bracket-Mounting, Brake RH
10	112-2789-03	1	Bar-Link, Brake RH	25	112-2733-03	1	Bracket-Mounting, Brake LH
11	112-2735-03	2	Plate-Brake	26	112-2734-03	1	Bar-Link, Brake LH
12	3296-42	4	Nut-Lock, NI	27	110-0224-03	1	Support-Bar, Brake
13	112-2791	1	Cable-Brake	28	32104-32	4	Screw-HWH
14	3296-39	2	Nut-Lock, NI	29	3234-11	2	Screw-HHF
15	112-2695	1	Spring-Leaf				
16	94-6177	1	Bolt-Shoulder				



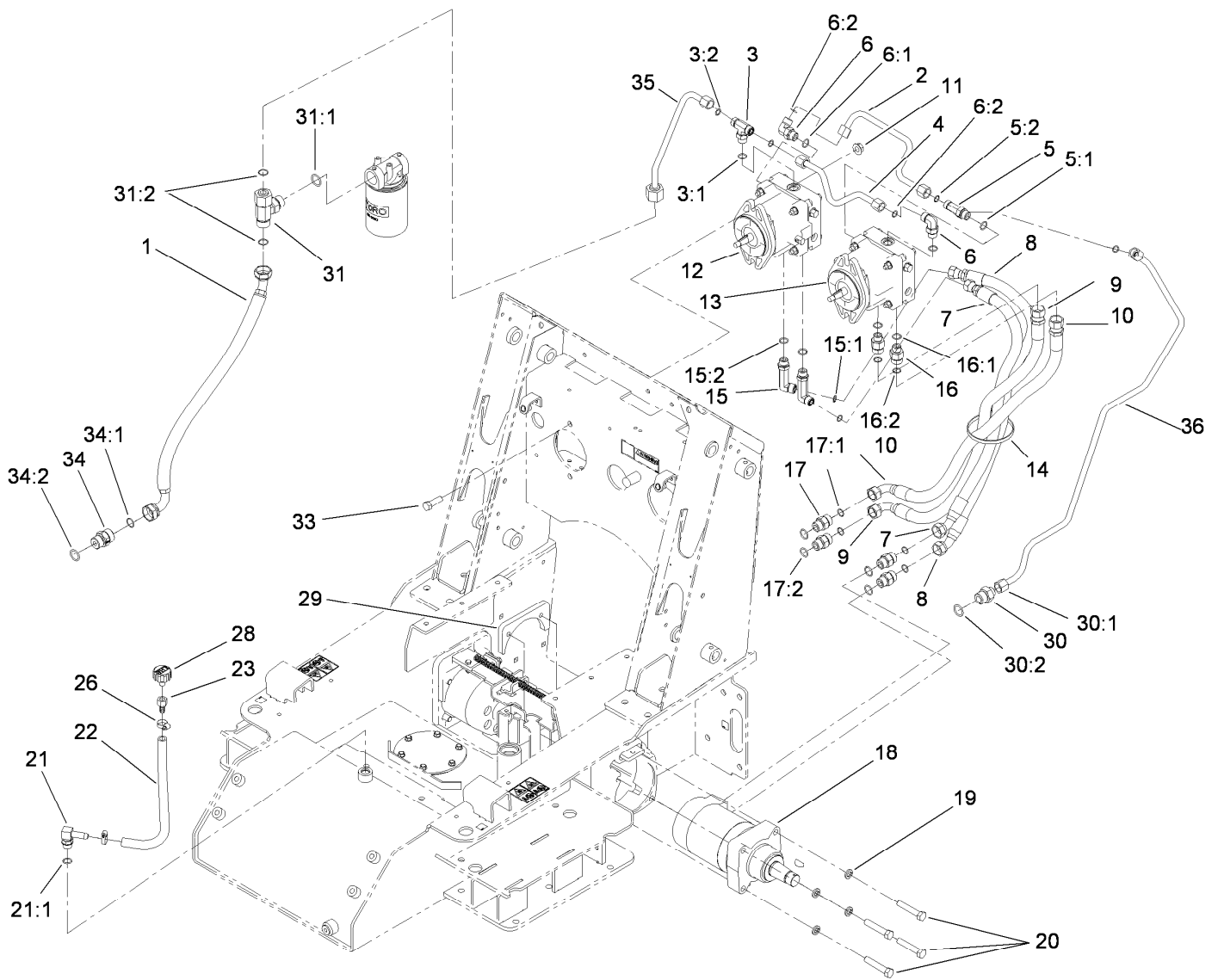
Loader Tower, Fuel Pump and Drive Assembly

Ref.	Part Number	Qty.	Description	Ref.	Part Number	Qty.	Description
1	117-9987	1	Loader Tower ASM	25	100-1271	2	Tube-Spacer
1:2	117-9905	1	Decal-Panel, Control	26	323-23	2	Screw-HH
1:3	93-7814	1	Decal-Danger	27	3-6168	2	Key
1:4	32148-8	2	Insert-Threaded	28	322-5	2	Screw-HH
4	104-8301	4	Nut-Flange, NI	29	112-7836	1	Filter-Inline
5	3296-29	2	Nut-Lock, NI	30	117-1346-03	1	Bracket-Pump, Fuel
6	100-6123-03	2	Plate-Stiffener	31	92-2379	6	Clamp-Hose
7	32128-52	10	Locknut-Flange	32	110-8806	1	Pump-Fuel
8	100-6116	10	Screw-HHF	33	110-8817	1	Bracket-Pump, Fuel
9	117-9971	1	Bolt-Carriage	34	321-5	4	Screw-HH
10	115-4986	1	Spacer	35	109-2678	1	Element, Fuel Filter
11	117-9968	1	Idler Arm ASM	35:2	63-8290	1	Vent-Air
12	115-1485	2	Washer-Plain	35:3	109-3117	1	Element, Fuel Filter
13	323-9	1	Screw-HH	35:4	63-8310	1	Valve-Drain
14	119-2358	1	Pulley-Idler	36	353-781	2	Fitting-Elbow
19	108-6262	1	V-Belt	37	3296-42	5	Nut-Lock, NI
20	3296-38	2	Nut-Lock, NI	38	110-4124	1	Hose-Fuel
21	3256-25	2	Washer-Flat	39	109-0302	1	Hose-Fuel
22	106-5710	2	Pulley-3V	40	106-1126	1	Hose-Fuel
23	105-0383	1	Spring-Extension	41	2412-98	2	Clamp-Hose
24	108-3280	1	Hose-Fuel	42	112-2409	1	Retainer-Spring



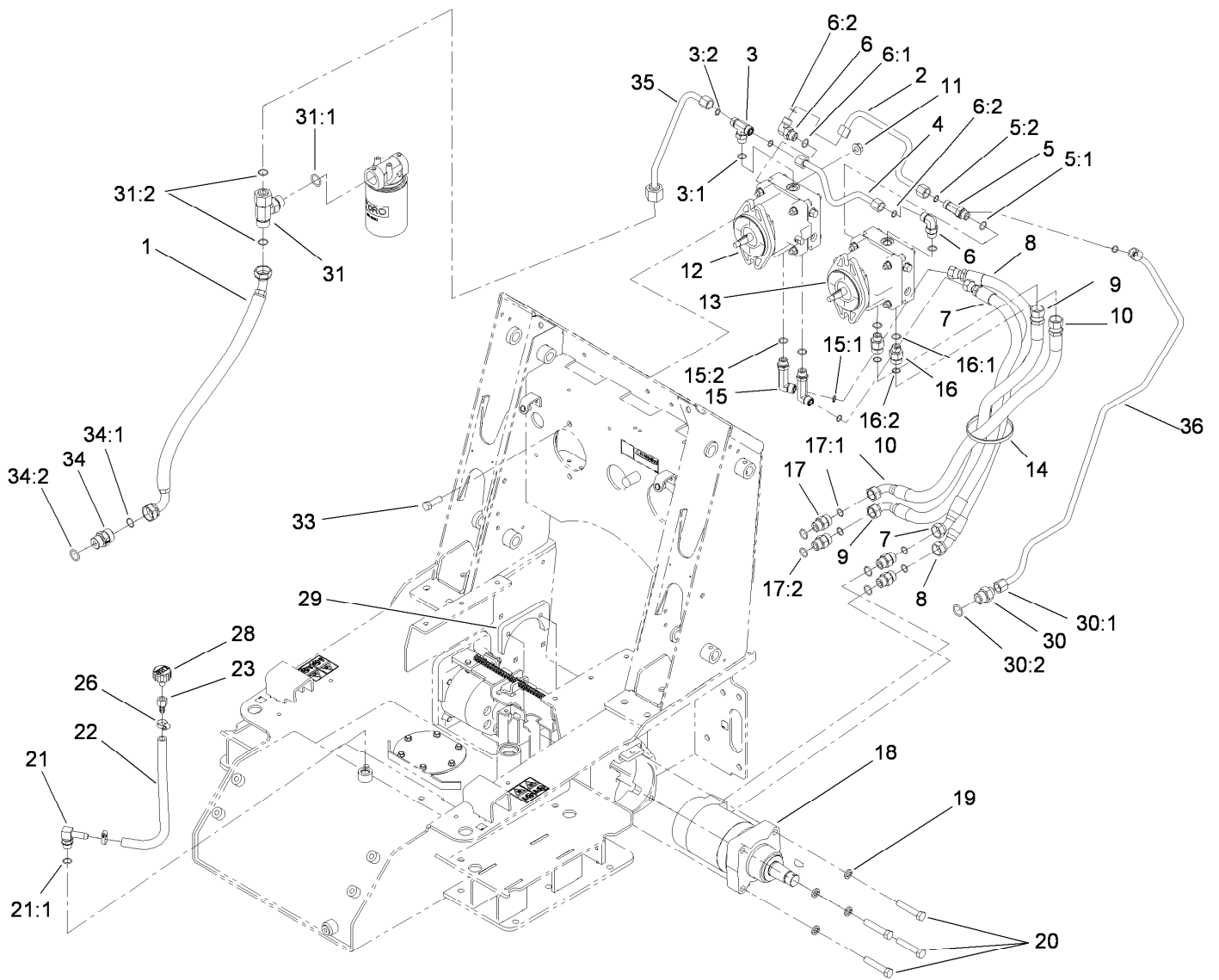
Loader Tower, Fuel Pump and Drive Assembly (continued)

<i>Ref.</i>	<i>Part Number</i>	<i>Qty.</i>	<i>Description</i>	<i>Ref.</i>	<i>Part Number</i>	<i>Qty.</i>	<i>Description</i>
43	2412-134	1	Clamp-R	46	114-0463	2	Washer-Friction, Composite
45	321-8	1	Screw-HH	47	43-0940	1	Spacer



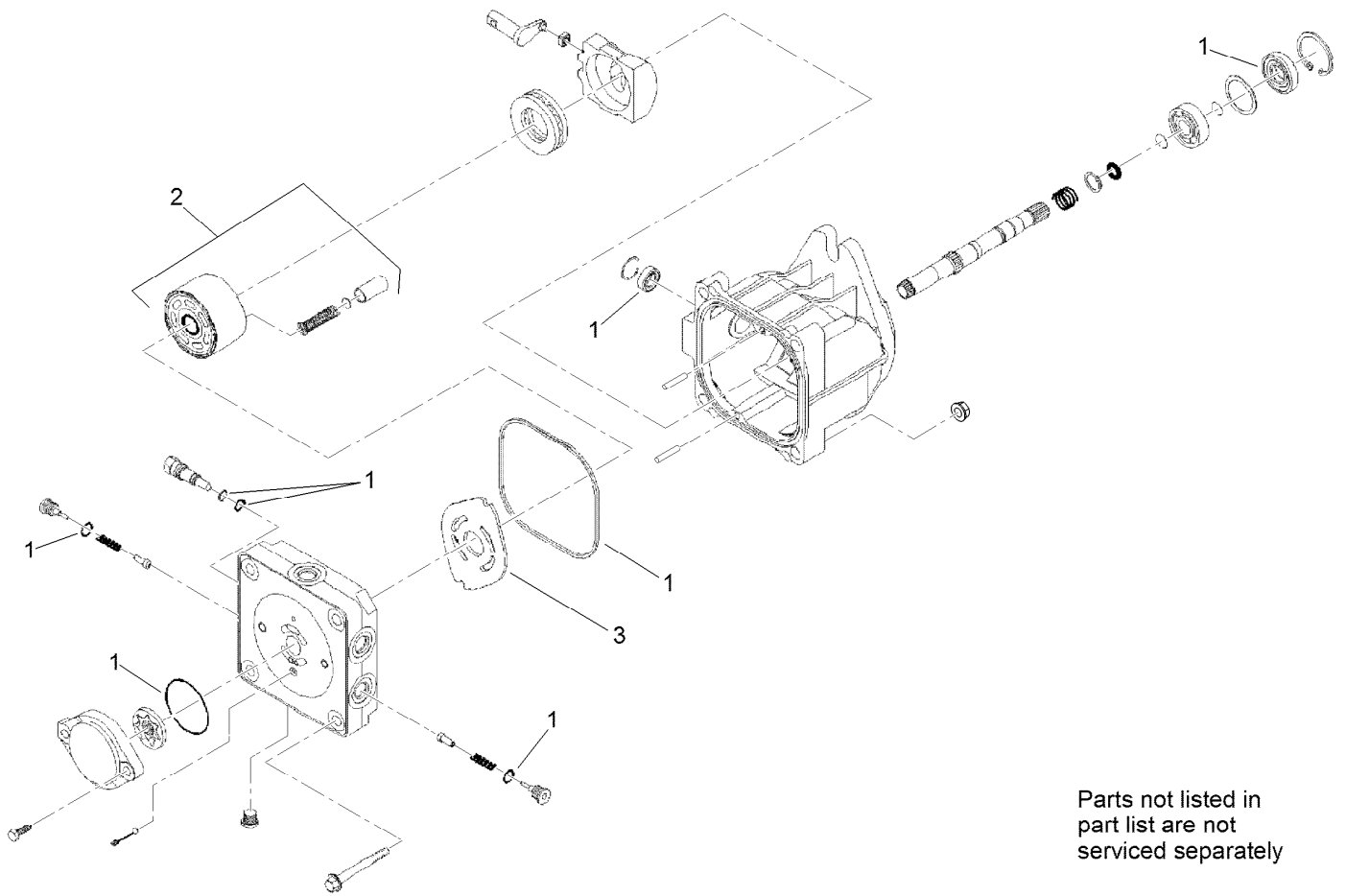
Traction Hydraulic Assembly

Ref.	Part Number	Qty.	Description	Ref.	Part Number	Qty.	Description
1	112-2562	1	HYD Hose ASM	15:1	237-30	1	O-Ring
2	98-0200	1	HYD Tube ASM	15:2	237-79	1	O-Ring
3	340-157	1	Fitting-HYD, Tee	16	340-155	2	Fitting-HYD, Straight
3:1	237-79	1	O-Ring	16:1	237-79	1	O-Ring
3:2	237-30	2	O-Ring	16:2	237-151	1	O-Ring
4	106-9330	1	HYD Tube ASM	17	340-7	4	Adapter
5	340-109	1	Fitting-HYD, Tee	17:1	237-65	1	O-Ring
5:1	237-79	1	O-Ring	17:2	237-80	1	O-Ring
5:2	237-30	2	O-Ring	18	106-7654	2	HYD Motor ASM
6	340-98	2	Fitting-HYD, 90 DEG	19	3253-7	8	Washer-Lock
6:1	237-79	1	O-Ring	20	115-4845	8	Screw-HH, TAP
6:2	237-30	1	O-Ring	21	354-134	1	Fitting-HYD, 90 DEG
7	107-3631	1	HYD Hose ASM	21:1	237-79	1	O-Ring
8	107-3632	1	HYD Hose ASM	22	114-8599	1	Hose-Drain, Engine Oil
9	115-4827	1	HYD Hose ASM	23	354-94	1	Fitting-Female, Barbed
10	115-4826	1	HYD Hose ASM	26	2412-36	2	Clamp-Hose
11	32128-52	4	Locknut-Flange	28	68-6150	1	Breather
12	106-9590	1	Pump-HYD, RH	29	98-2763-03	2	Plate-Mounting
13	106-9591	1	Pump-HYD, LH	30	100-4240	1	Fitting-Adapter
14	3334-945	1	Tie-Cable	30:1	237-30	1	O-Ring
15	99-6160	2	Fitting-Elbow, 90 DEG	30:2	237-81	1	O-Ring



Traction Hydraulic Assembly (continued)

<i>Ref.</i>	<i>Part Number</i>	<i>Qty.</i>	<i>Description</i>	<i>Ref.</i>	<i>Part Number</i>	<i>Qty.</i>	<i>Description</i>
31	100-4836	1	Fitting-Tee	34:1	237-30	1	O-Ring
31:1	237-81	1	O-Ring	34:2	237-81	1	O-Ring
31:2	237-58	2	O-Ring	35	107-3634	1	HYD Tube ASM
33	325-6	4	Screw-HH	36	107-3633	1	HYD Tube ASM
34	108-6306	1	Valve-Check, HYD				

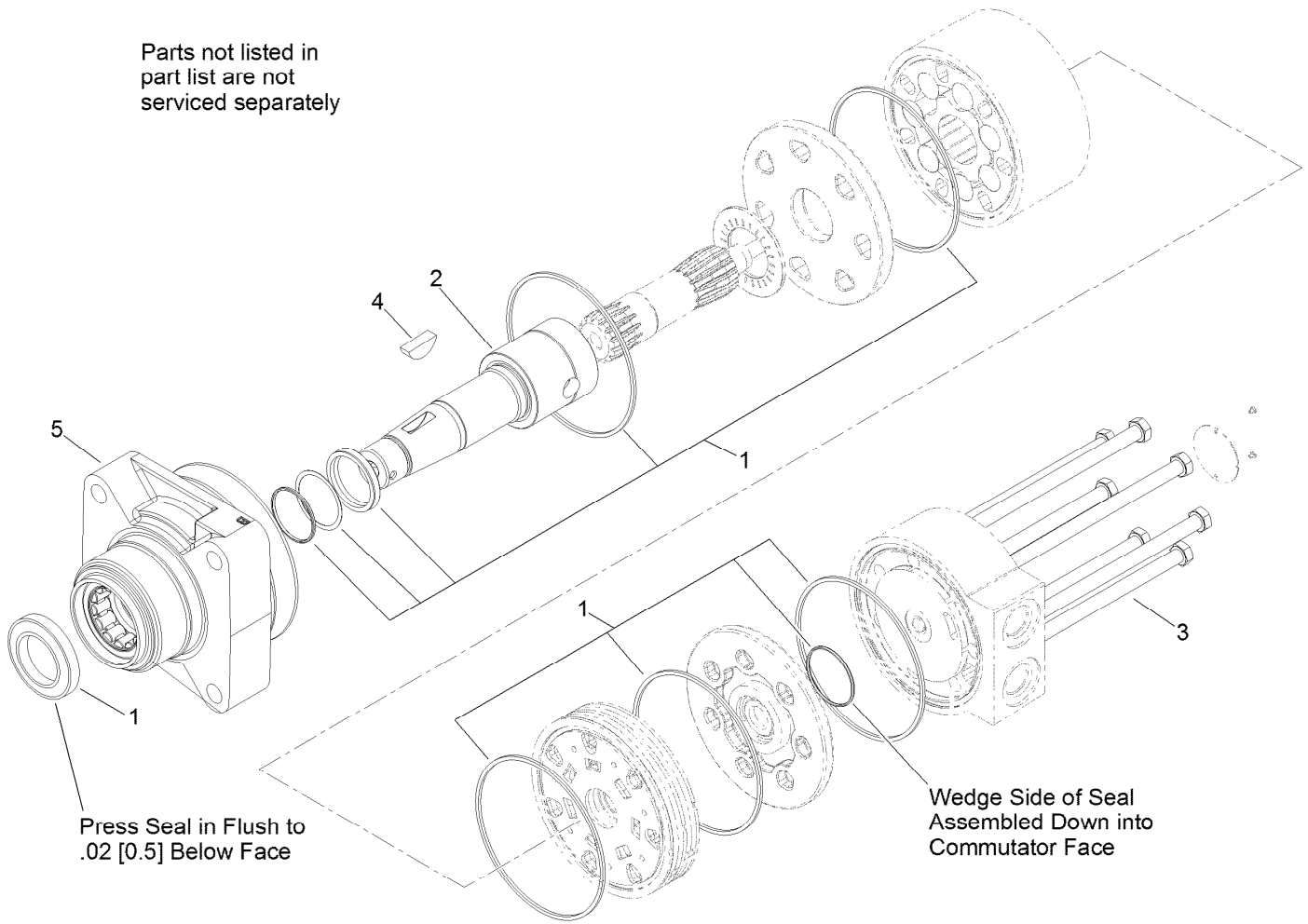


Parts not listed in
part list are not
serviced separately

Hydraulic Pump Assembly No. 106-9590 and 106-9591

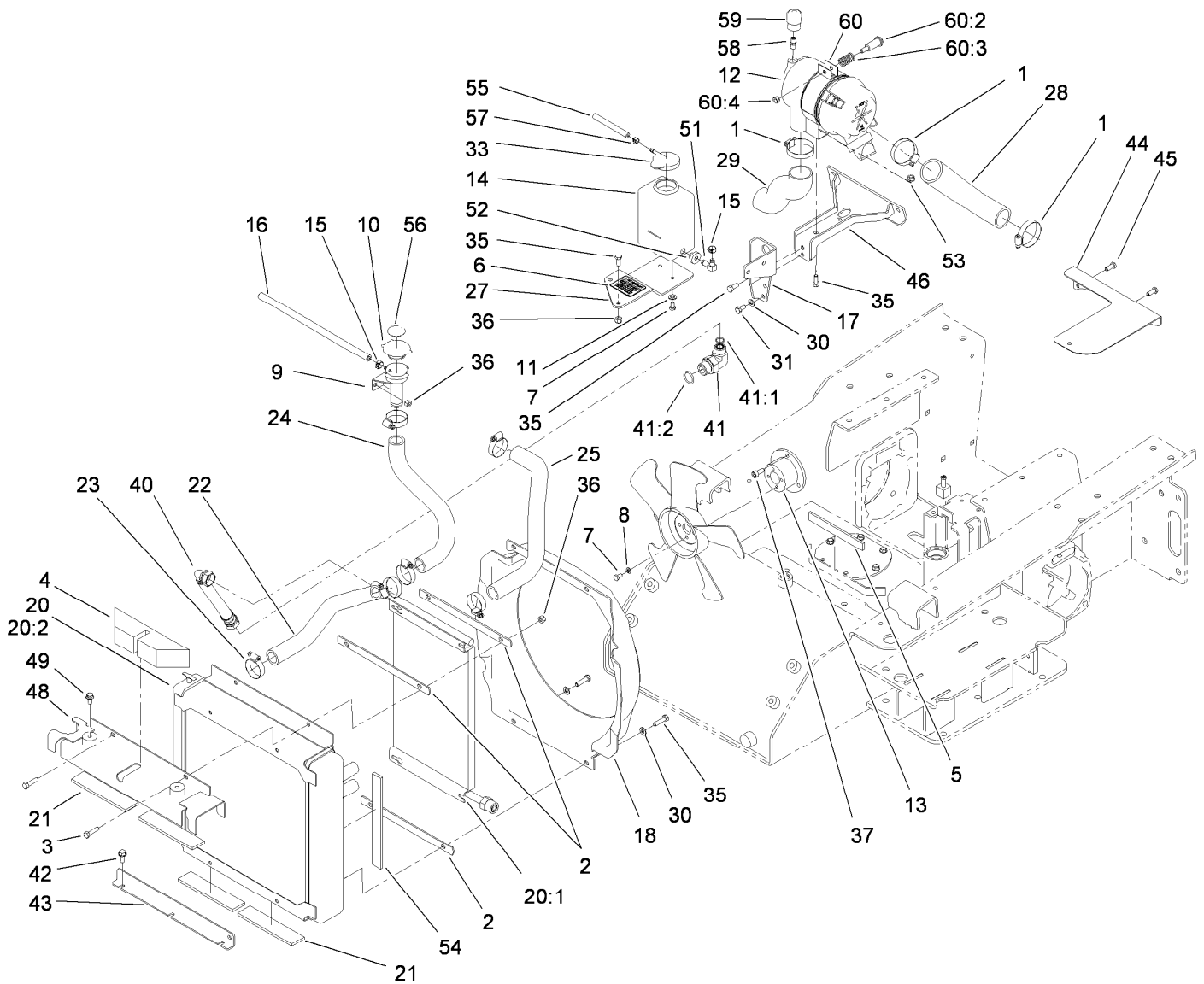
<i>Ref.</i>	<i>Part Number</i>	<i>Qty.</i>	<i>Description</i>
1	100-6110	1	Overhaul Seal Kit
2	94-1913	1	Cylinder Block ASM
3	100-6112	1	Plate-Valve

Parts not listed in
part list are not
serviced separately



Hydraulic Motor Assembly No. 106-7654

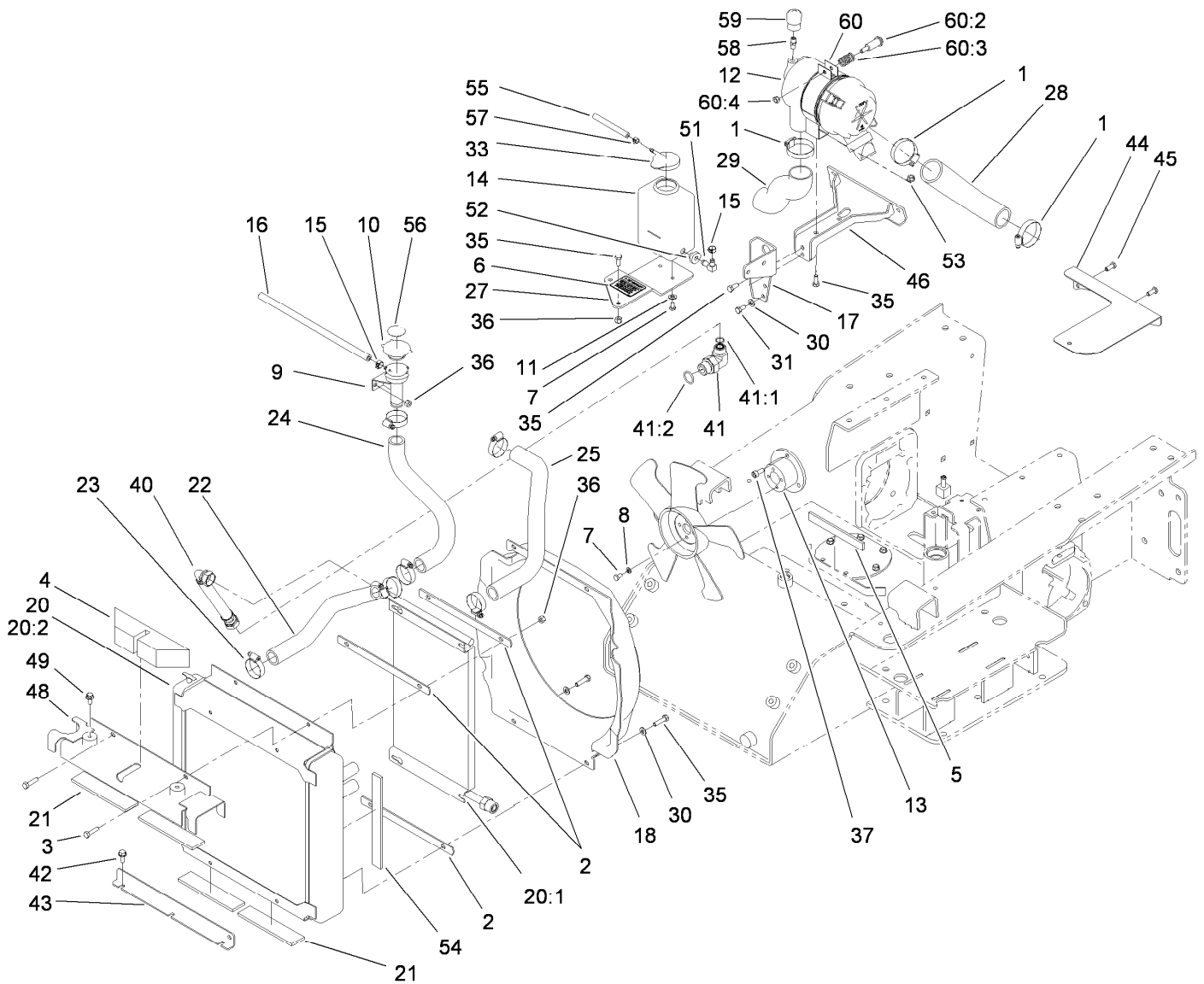
<i>Ref.</i>	<i>Part Number</i>	<i>Qty.</i>	<i>Description</i>
1	100-6131	1	Seal Kit
2	106-7645	1	Coupling-Shaft
3	100-4241	7	Screw-HH
4	3257-42	1	Key-Woodruff
5	108-5634	1	Motor Housing ASM



Radiator and Air Cleaner Assembly

Ref.	Part Number	Qty.	Description	Ref.	Part Number	Qty.	Description
1	2412-92	3	Clamp-Hose	20		1	Radiator And Oil Cooler ASM ●
2	108-6395-03	3	Plate-Backing	20:1	106-9597	1	Cooler-Oil, HYD
3	322-6	4	Screw-HH	20:2	106-9595	1	Radiator
4	108-6372	1	Seal-Foam	21	112-2401	4	Pad-Rubber
5	112-2466	1	Pad-Rubber	22	108-6309	1	Hose-Radiator
6	115-4865	1	Decal-Radiator Fill	23	2412-34	6	Clamp-Hose
7	321-2	6	Screw-HH	24	108-6310	1	Hose-Radiator
8	3253-3	4	Washer-Lock	25	112-2459	1	Hose-Radiator
9	108-6312	1	Tube-Filler, Radiator	27	112-2458-03	1	Bracket-Tank, Overflow
10	93-5957	1	Cap-Radiator	28	108-6336	1	Hose-Air, Inlet
11	3256-22	2	Washer-Flat	29	112-2431	1	Hose-Air
12	117-9989	1	Air Cleaner ASM	30	3256-23	4	Washer-Flat
13	112-2576-03	1	Spacer-Machined	31	99-5132	2	Bolt
14	1-643163	1	Tank-Overflow	33	1-643164	1	Cap-Tank, Overflow
15	92-2379	2	Clamp-Hose	35	322-3	8	Screw-HH
16	110-4110	1	Hose-Fuel	36	3296-29	8	Nut-Lock, NI
17	107-3645-03	1	Mount-Filter, Air	37	108-6343	3	Screw
18	108-6347	1	Shroud-Fan				

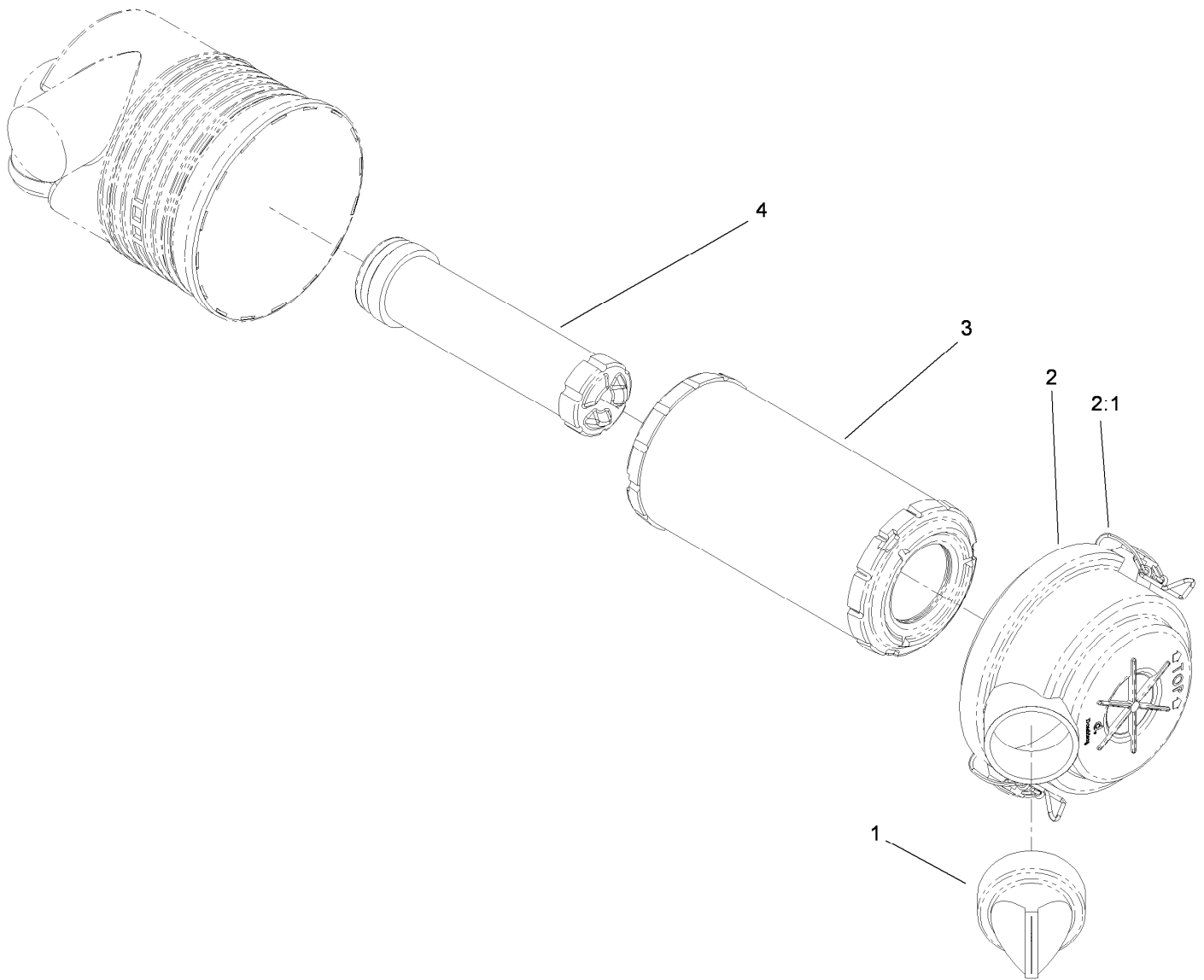
● Not serviced separately



Radiator and Air Cleaner Assembly (continued)

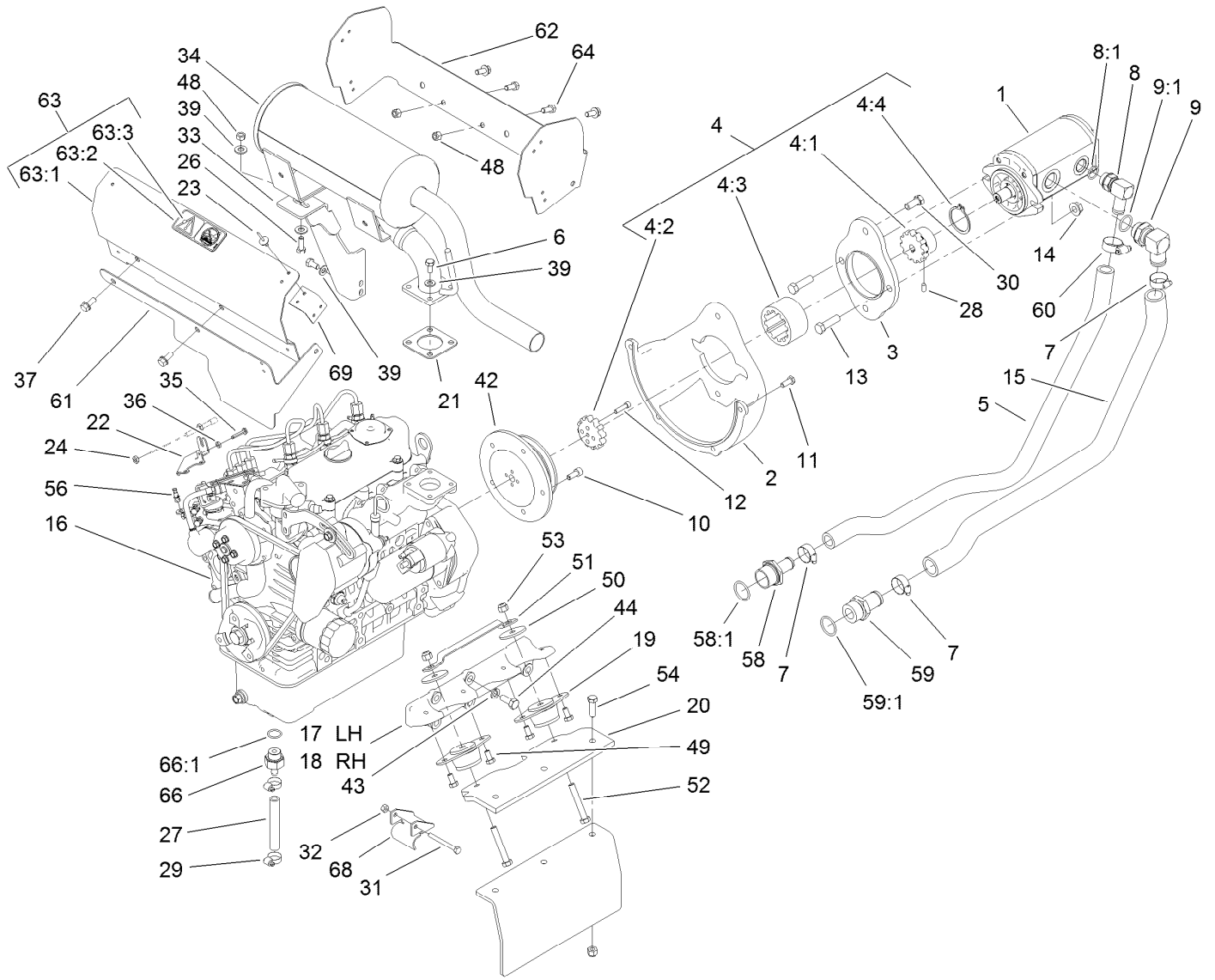
Ref.	Part Number	Qty.	Description	Ref.	Part Number	Qty.	Description
40	112-2442	1	HYD Hose ASM	53	32128-20	2	Nut-HF
41	340-139	1	Fitting-HYD, 90 DEG	54	112-2529	2	Foam-Seal
41:1	237-81	1	O-Ring	55	108-6344	1	Hose-Fuel
41:2	237-65	1	O-Ring	56	106-6755	1	Decal-Cap, Radiator
42	32144-11	3	Screw-HWHTF	57	2412-80	1	Clamp-Hose
43	108-6397-03	1	Mount-Radiator	58	105-4292	1	Nipple-Pipe
44	108-6362	1	Plate-Baffle, Starter	59	93-9164	1	Indicator-Mini
45	33114-020	2	Screw-HH	60	93-2191	1	Mounting Band ASM (Air Cleaner)
46	108-6390-03	1	Bracket ASM	60:2	94-3653	1	Bolt
48	112-2440-03	1	Bracket-Radiator	60:3	94-3654	1	Spring
49	3234-12	2	Screw-HHF	60:4	48-9510	1	Nut
51	46-6550	1	Fitting-Elbow, 90 DEG				
52	46-6560	1	Bushing				

● Not serviced separately



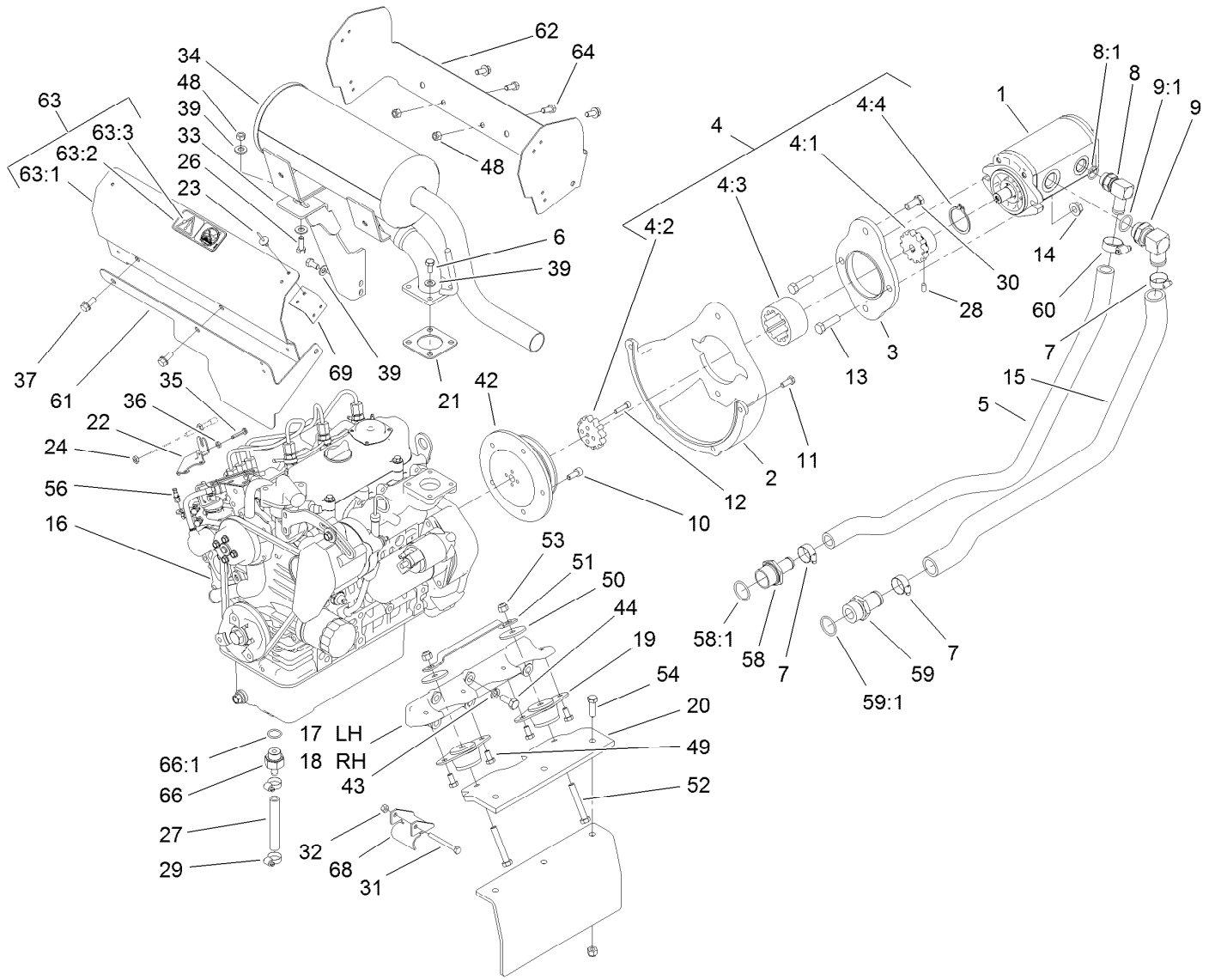
Air Cleaner Assembly No. 117-9989

<i>Ref.</i>	<i>Part Number</i>	<i>Qty.</i>	<i>Description</i>
1	87-9400	1	Valve-Vacuator
2	94-3652	1	Cover ASM
2:1	1-643283	2	Latch-Cleaner, Air
3	108-3811	1	Filter-Air
4	98-2982	1	Filter-Element, Safety



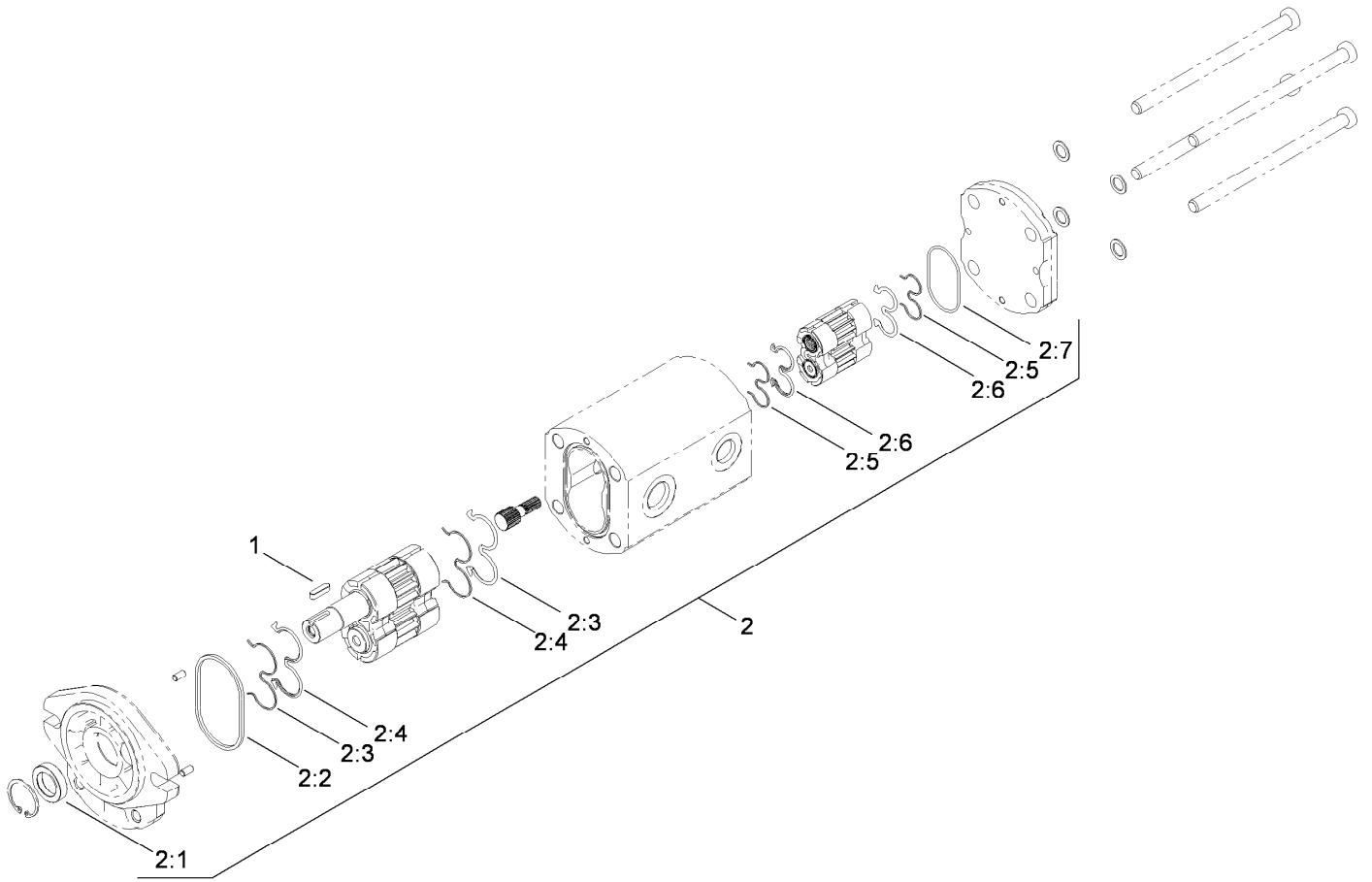
Hydraulic Pump and Filter Assembly

Ref.	Part Number	Qty.	Description	Ref.	Part Number	Qty.	Description
1	106-9589	1	Pump-HYD	16	127-9653	1	Engine-Kubota, D902
2	108-6235-03	1	Pump-Mount	17	108-6269-03	1	Mount-Engine, LH
3	108-6211-03	1	Plate-Mount, Pump	18	108-6271-03	1	Mount-Engine, RH
4	108-6314	1	Coupling ASM	19	120-6274	4	Mount-Engine
4:1	106-9562	1	Hub-Coupling	20	107-3617-03	2	Plate-Mount, Engine
4:2	106-9587	1	Sleeve-Hub	21	99-8343	1	Gasket-Muffler
4:3	106-9561	1	Sleeve-Coupling	22	108-5922	1	Bracket-Support, Throttle
4:4	108-6383	1	Ring-Snap, Coupling	23	146489	16	Rivet
5	108-6315	1	Hose-Formed, Suction	24	3220-1	2	Nut-Jam
6	99-5132	6	Bolt	26	322-4	1	Screw-HH
7	2412-34	3	Clamp-Hose	27	114-8599	1	Hose-Drain, Engine Oil
8	87-8170	1	Fitting	28	3245-9	1	Screw-Set, HSH
8:1	237-80	1	O-Ring	29	2412-36	2	Clamp-Hose
9	100-4202	1	Fitting-HYD, 90 DEG	30	324-4	2	Screw-HH
9:1	237-81	1	O-Ring	31	321-18	2	Screw-HH
10	108-6343	5	Screw	32	32152-4	2	Nut-Lock, Cone
11	33114-020	4	Screw-HH	33	112-2403-03	1	Support-Muffler
12	3274-26	4	Screw-HSH	34	106-9584	1	Muffler ASM
13	324-6	2	Screw-HH	35	117-1701	1	Screw-HWHTF
14	32128-42	2	Nut-HF	36	3217-26	1	Nut-Hex
15	108-6316	1	Hose-Formed, Suction	37	3234-5	4	Screw-HHF



Hydraulic Pump and Filter Assembly (continued)

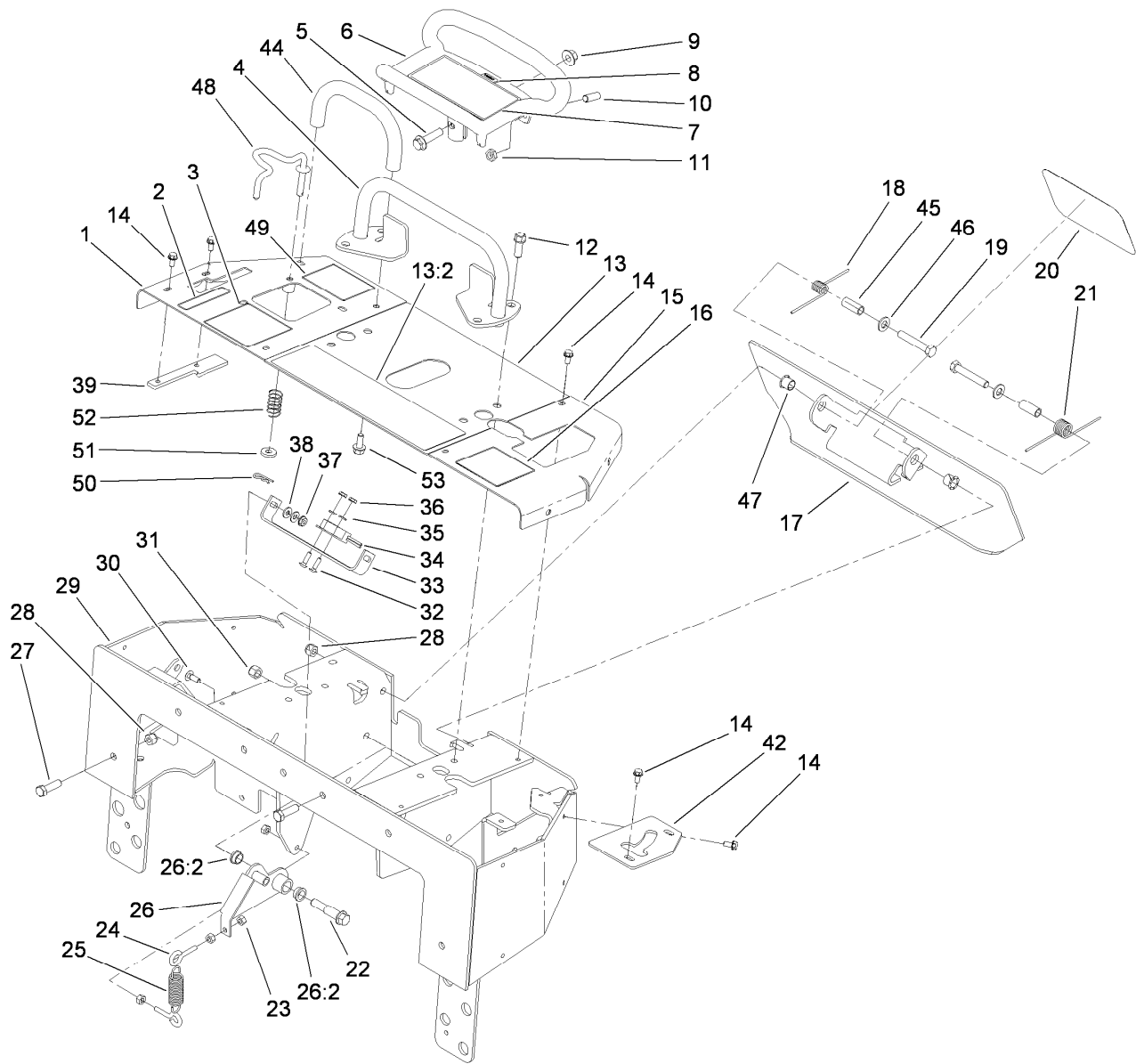
<i>Ref.</i>	<i>Part Number</i>	<i>Qty.</i>	<i>Description</i>	<i>Ref.</i>	<i>Part Number</i>	<i>Qty.</i>	<i>Description</i>
39	3256-23	8	Washer-Flat	59	354-78	1	Connector-Hose
42	112-2568-03	1	Pulley-Machined	59:1	237-146	1	O-Ring
43	42-9600	10	Washer-Lock, Spring	60	2412-129	1	Clamp-Hose
44	43-0090	10	Screw-HH	61	108-6356	1	Plate-Baffle, Lower
48	32152-1	6	Nut-Lock, Cone	62	108-6354	1	Plate-Baffle
49	322-2	8	Screw-HH	63	112-2564	1	Heat Shield Baffle ASM
50	63-7400	4	Washer-Rebound	63:1	108-6355	1	Plate-Baffle, Muffler
51	108-6340-03	2	Strap-Rebound	63:2	115-4882	1	Plate-Hot Surface
52	323-12	4	Screw-HH	63:3	3269-31	2	Rivet-Pop
53	3296-39	10	Nut-Lock, NI	64	322-3	3	Screw-HH
54	323-7	6	Screw-HH	66	114-8587	1	Fitting-Hose
56	108-5928	1	Swivel-Stop, Cable	66:1	98-9399	1	Gasket
58	99-6932	1	Fitting-Hose, Barbed	68	112-2533-03	2	Guide-Cable
58:1	237-117	1	O-Ring	69	112-2449	4	Bracket-Shield



Hydraulic Pump Assembly No. 106-9589

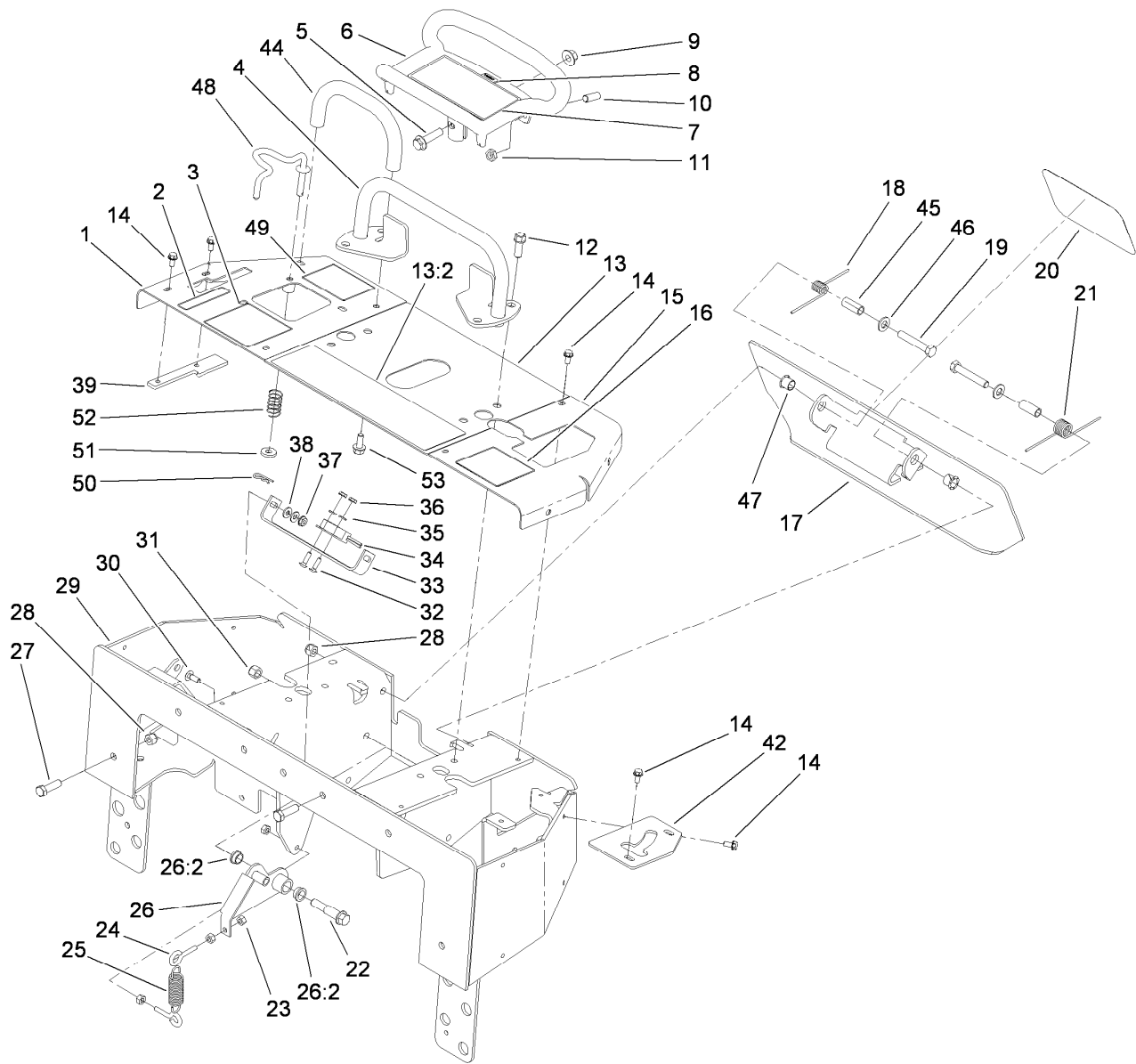
<i>Ref.</i>	<i>Part Number</i>	<i>Qty.</i>	<i>Description</i>
1	100-4238	1	Key-Square
2	107-9316	1	Seal Kit
2:1		1	Seal-Shaft ●
2:2		1	Seal-Square ●
2:3		2	Ring-Backup ●
2:4		2	Seal-Gear ●
2:5		2	Ring-Backup ●
2:6		2	Seal-Gear-Rear ●
2:7		1	O-Ring ●

● Not serviced separately



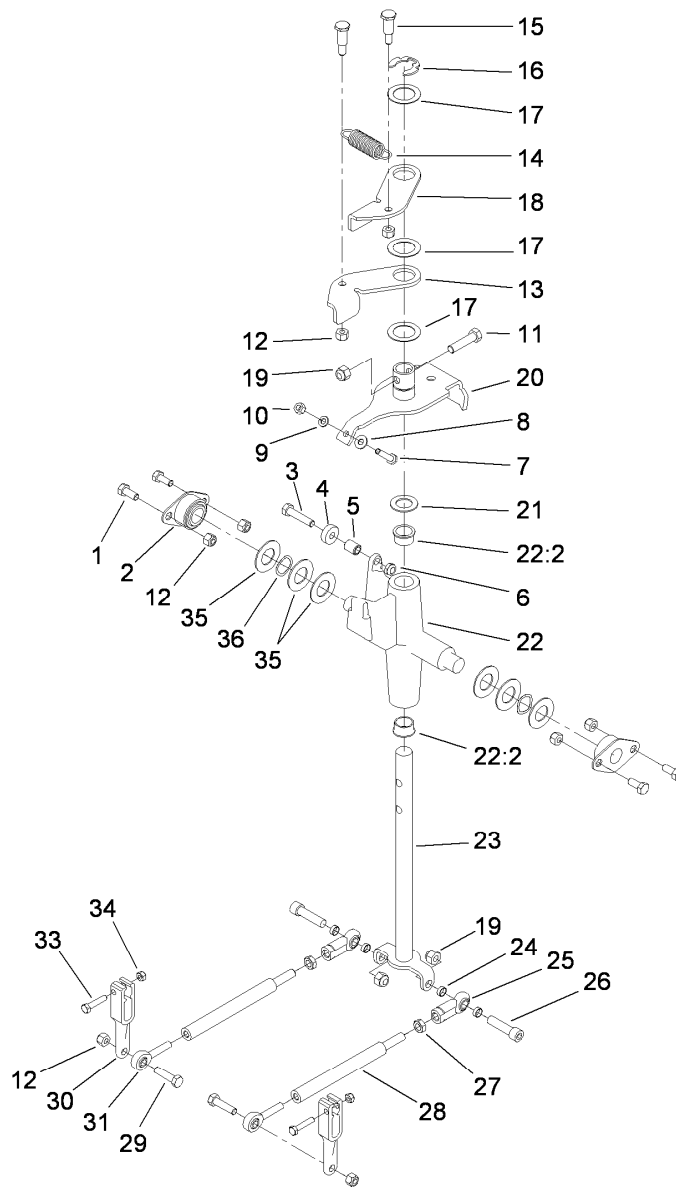
Control Panel Assembly

Ref.	Part Number	Qty.	Description	Ref.	Part Number	Qty.	Description
1	115-4836-01	1	Panel-RH	21	98-8424	1	Spring-Torsion, RH
2	115-4859	1	Decal-Brake	22	66-0560	1	Bolt-Shoulder
3	115-4857	1	Decal-Control, Loader	23	32128-32	4	Nut-HHF
4	106-7715	1	Bar-Reference	24	71-2870	2	Bolt-Eye
5	3234-18	1	Screw-HHF	25	108-4724	1	Spring-Extension
6	120-5380-03	1	Handle-Control	26	100-4203	1	Neutral Centering Lever ASM
7	115-4020	1	Decal-Traction	26:2	256-156	2	Bushing-Flange
8	98-1459	1	Decal	27	323-7	5	Screw-HH
9	32128-43	1	Nut-Flange	28	3296-39	7	Nut-Lock, NI
10	3247-6	2	Screw-Set	29	110-0228-01	1	Panel-Control
11	3218-3	2	Nut-Jam	30	3229-1	2	Bolt-CARR
12	95-1726	4	Screw-Taptite	31	3296-6	1	Nut-Lock
13	108-4643	1	Center Panel ASM	32	3229-20	2	Screw-CARR
13:2	115-4860	1	Decal-Danger	33	100-1263	1	Plate-Switch
14	9266714	11	Screw-HWH	34	100-1270	1	Switch-Proximity
15	112-2737-01	1	Panel-LH	35	3256-51	2	Washer-Flat
16	115-4861	1	Decal-Control, Auxiliary	36	32149-7	2	Nut-Keps
17	112-2786-03	1	Plate-Reverse	37	32149-2	2	Nut-Keps
18	98-8425	1	Spring-Torsion, LH	38	3256-22	4	Washer-Flat
19	323-11	2	Screw-HH	39	112-2691-03	1	Plate-Locking, Brake
20	105-1217	1	Decal				



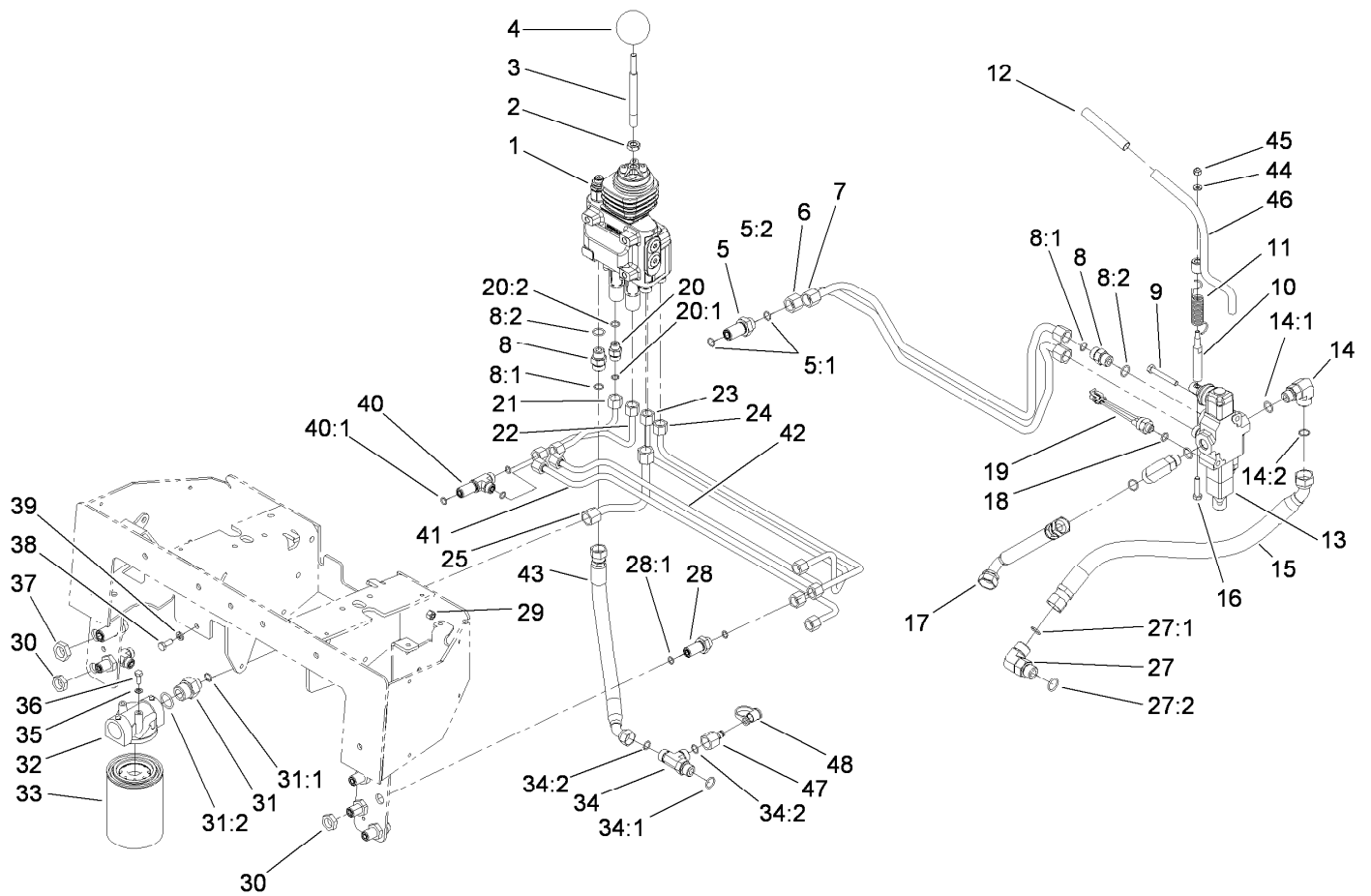
Control Panel Assembly (continued)

<i>Ref.</i>	<i>Part Number</i>	<i>Qty.</i>	<i>Description</i>	<i>Ref.</i>	<i>Part Number</i>	<i>Qty.</i>	<i>Description</i>
42	112-2749-01	1	Plate-Stop	49	115-4862	1	Decal-Loader Lock
44	112-2620	1	Bar-Reference	50	3290-307	1	Pin-Hair
45	114-1337	2	Spacer-Spring	51	88-7200	1	Washer-Flat
46	3256-24	2	Washer-Flat	52	85-6750	1	Spring-Control
47	256-257	2	Bushing-Nyliner	53	3234-5	2	Screw-HHF
48	115-4580	1	Rod-Interlock				



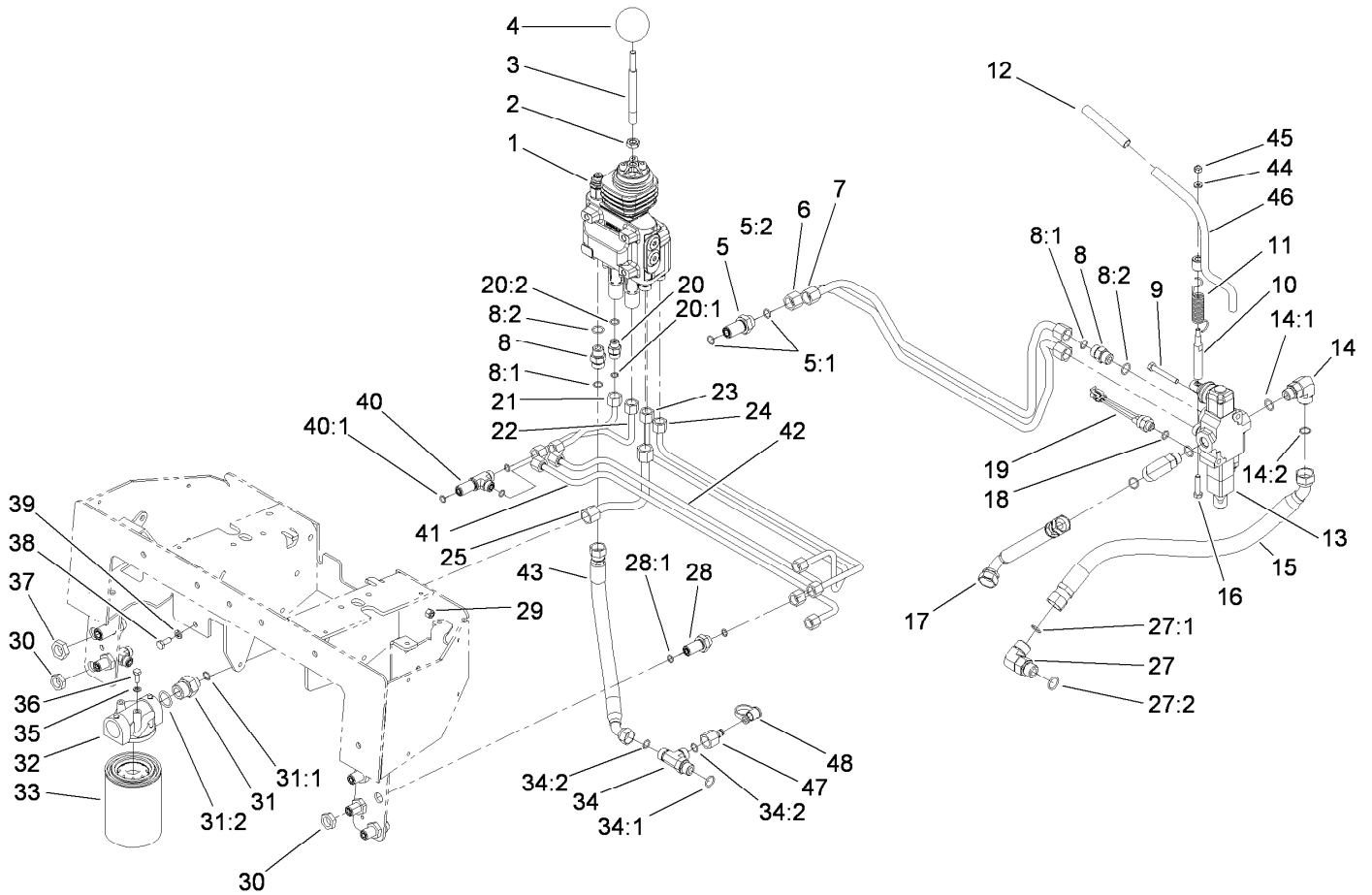
Traction Control Assembly

<i>Ref.</i>	<i>Part Number</i>	<i>Qty.</i>	<i>Description</i>	<i>Ref.</i>	<i>Part Number</i>	<i>Qty.</i>	<i>Description</i>
1	322-3	4	Screw-HH	19	3296-39	3	Nut-Lock, NI
2	68-2970	2	Bushing	20	112-2783	1	Lever-Pivot
3	322-7	1	Screw-HH	21	257-8	1	Washer-Thrust
4	251-259	1	Bearing-Ball	22	106-5737	1	Control Support ASM
5	88-7450	1	Spacer-Lever, Control	22:2	256-252	2	Bearing-Flange
6	3296-47	1	Nut-Lock, NI	23	117-6335	1	Rod-Drive
7	114-0282	1	Screw-HH	24	117-9915	4	Spacer
8	3256-22	1	Washer-Flat	25	103-1167	2	Joint-Ball End, LH
9	3253-3	1	Washer-Lock	26	3274-2	2	Screw-HSH
10	3217-5	1	Nut-Hex	27	3220-16	2	Nut-Jam, LH
11	323-8	1	Screw-HH	28	117-9900	2	Rod-Linkage
12	3296-29	8	Nut-Lock, NI	29	322-6	2	Screw-HH
13	98-8407	1	Lever-Return, RH	30	117-3964-03	2	Arm-Control, Pump
14	108-4724	1	Spring-Extension	31	117-9969	2	Bearing-Rod End, RH
15	63-2650	2	Screw-Shoulder	33	33113-030	2	Screw-HH
16	32151-91	1	Ring-Retaining	34	33023-00	2	Nut-Lock
17	108-9743	3	Washer-Plain	35	3256-39	2	Washer-Flat
18	98-8408	1	Lever-Return, LH	36	95-3703	2	Washer-Spring, Wave



Principal Hydraulic Assembly

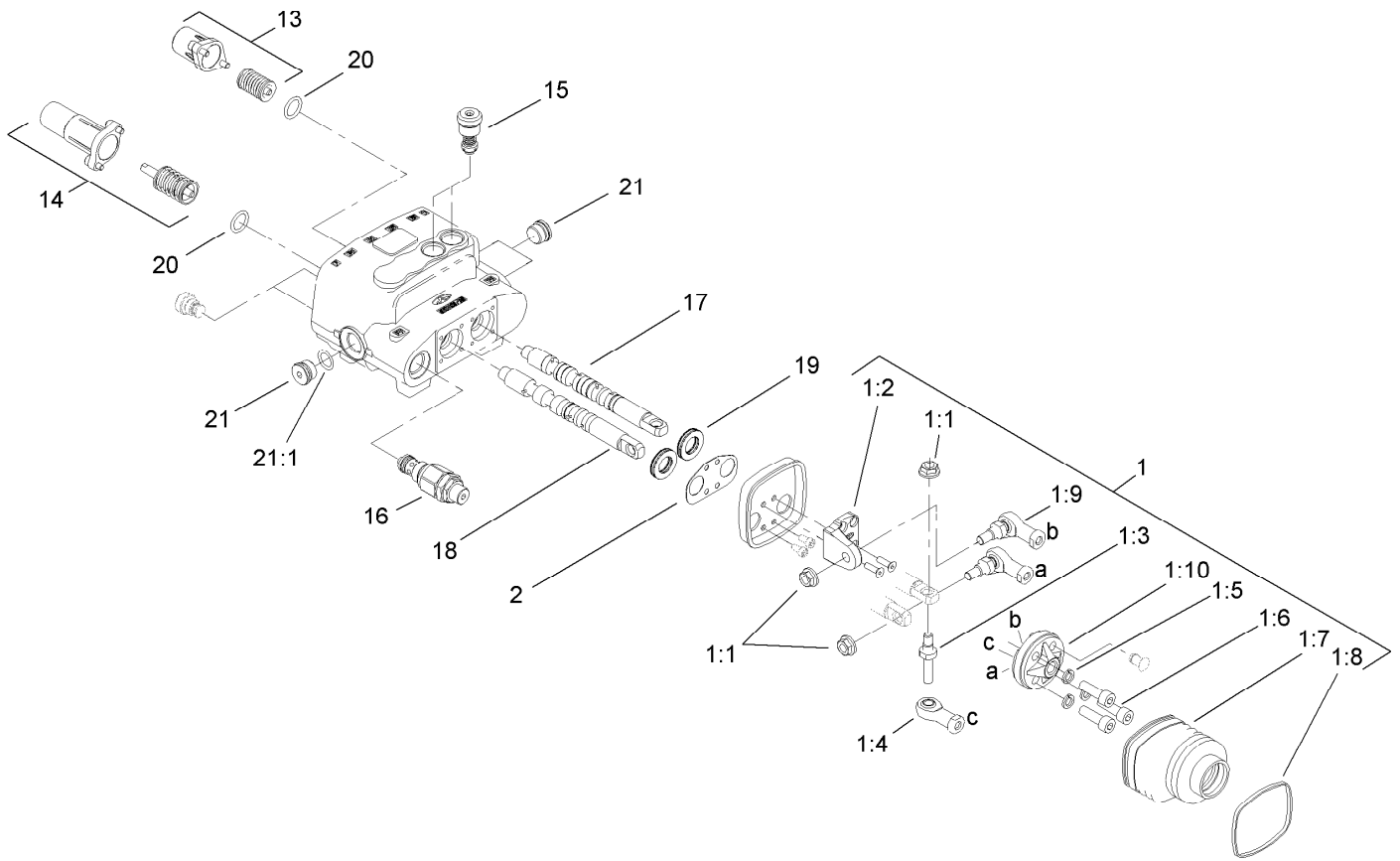
Ref.	Part Number	Qty.	Description	Ref.	Part Number	Qty.	Description
1	106-9307	1	2 Spool Valve ASM	20:2	237-42	1	O-Ring
2	51-2070	1	Nut	21	106-9315	1	HYD Tube ASM
3	108-4675	1	Shaft-Handle, Loader	22	106-9313	1	HYD Tube ASM
4	233-21	1	Knob	23	106-9312	1	HYD Tube ASM
5	340-161	2	Fitting-Bulkhead	24	106-9314	1	HYD Tube ASM
5:1	237-30	2	O-Ring	25	106-9385	1	HYD Tube ASM
5:2	340-127	1	Nut-Bulkhead	27	340-17	1	Fitting-HYD, 90 DEG
6	106-9310	1	HYD Tube ASM	27:1	237-65	1	O-Ring
7	106-9311	1	HYD Tube ASM	27:2	237-80	1	O-Ring
8	340-4	4	Fitting-HYD, Straight	28	340-71	4	Fitting-Straight, Bulkhead
8:1	237-30	1	O-Ring	28:1	237-22	2	O-Ring
8:2	237-79	1	O-Ring	29	3296-29	2	Nut-Lock, NI
9	322-11	2	Screw-HH	30	340-70	6	Nut-Lock
10	104-2827	1	Spacer-Hiflo	31	100-4240	1	Fitting-Adapter
11	112-2738	1	Spring-Torsion	31:1	237-30	1	O-Ring
12	112-2605	1	Grip-Rubber	31:2	237-81	1	O-Ring
13	104-2831	1	1 Spool Valve ASM	32	92-5821	1	Head-Filter
14	340-153	2	Fitting-Elbow, 90 DEG	33	86-3010	2	Filter-Oil
14:1	237-79	1	O-Ring	34	340-109	1	Fitting-HYD, Tee
14:2	237-151	1	O-Ring	34:1	237-79	1	O-Ring
15	112-2561	1	HYD Hose ASM	34:2	237-30	2	O-Ring
16	48-7740	1	Screw	35	3253-3	2	Washer-Lock
17	112-2443	1	HYD Hose ASM	36	321-4	2	Screw-HH
18	237-42	1	O-Ring	37	340-127	2	Nut-Bulkhead
19	72-4310	1	Switch-Ball	38	322-4	3	Screw-HH
20	340-2	4	Fitting-HYD, Straight	39	3253-4	3	Washer-Lock
20:1	237-22	1	O-Ring	40	340-68	2	Fitting-Tee, Bulkhead



Principal Hydraulic Assembly (continued)

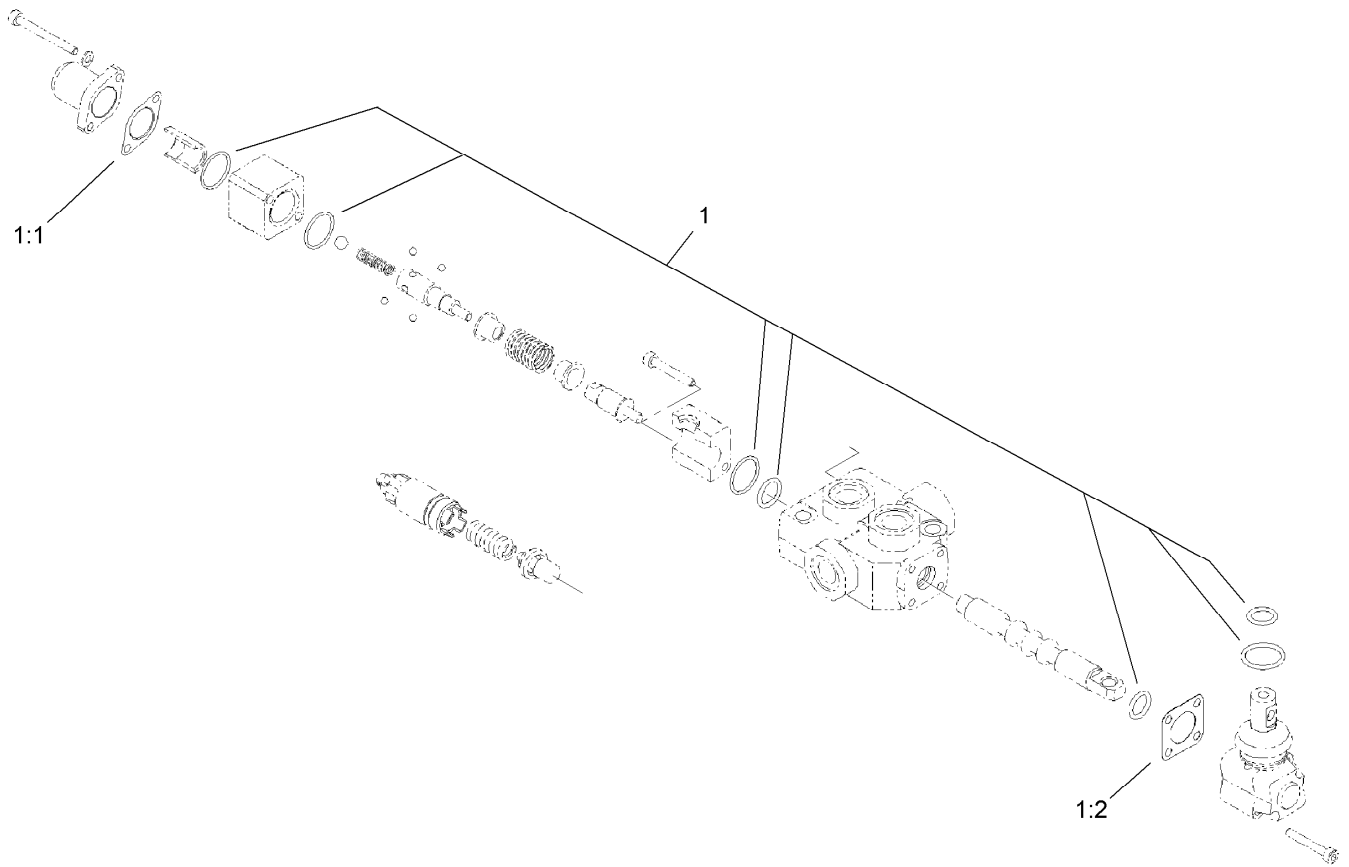
<i>Ref.</i>	<i>Part Number</i>	<i>Qty.</i>	<i>Description</i>
40:1	237-22	3	O-Ring
41	106-9316	1	HYD Tube ASM
42	106-9317	1	HYD Tube ASM
43	112-2560	1	HYD Hose ASM
44	3256-16	1	Washer-Flat

<i>Ref.</i>	<i>Part Number</i>	<i>Qty.</i>	<i>Description</i>
45	3296-42	1	Nut-Lock, NI
46	112-2739	1	Lever-Auxiliary
47	100-5616	1	Fitting
48	354-79	1	Cap-Dust



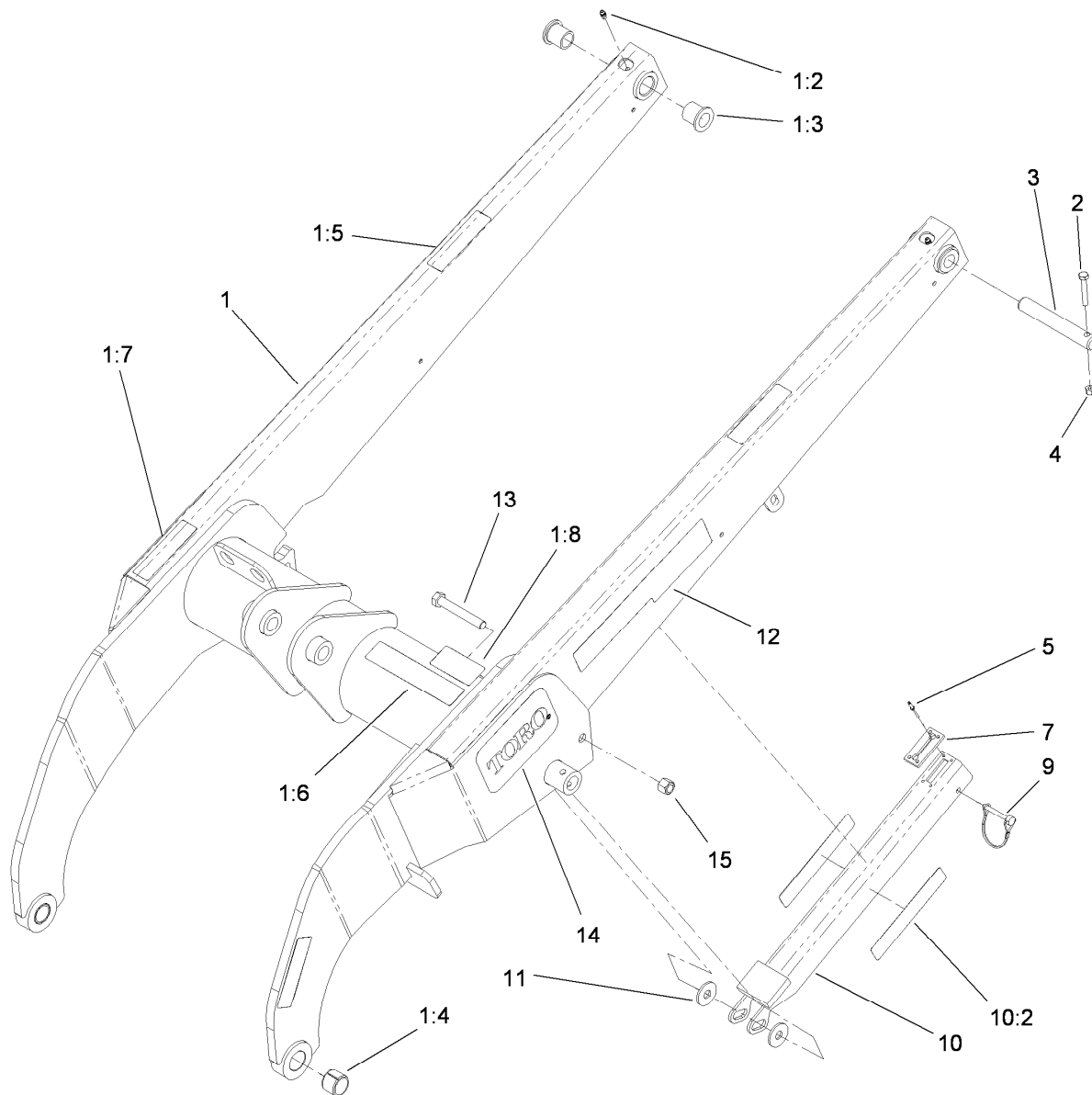
Two Spool Valve Assembly No. 106-9307

Ref.	Part Number	Qty.	Description
1	106-7724	1	Joystick Kit
1:1	98-0668	3	Nut
1:2	106-7726	1	Pivot-Joystick
1:3	106-7727	1	Pin-Joystick
1:4	106-7728	1	End-Rod
1:5	42-9850	3	Washer-Lock, Spring
1:6	98-5828	3	Screw-HSH
1:7	106-7729	1	Bellow-Rubber
1:8	3290-379	1	Tie-Cable
1:9	106-7730	2	Joint-Joystick
1:10	106-7731	1	Holder-Articulated
2	106-7725	1	Seal-Joystick
13	106-7732	1	Valve Spring Kit
14	106-7733	1	Detent Spring Kit
15	106-7734	2	Valve-Relief
16	106-7735	1	Valve-Relief, Main
17	106-7736	1	Spool-Valve
18	106-7737	1	Spool-Valve
19	106-7738	2	Seal-Valve, Spool
20	106-7719	2	Seal-Valve
21	353-988	3	Plug-Hex
21:1	237-79	1	O-Ring



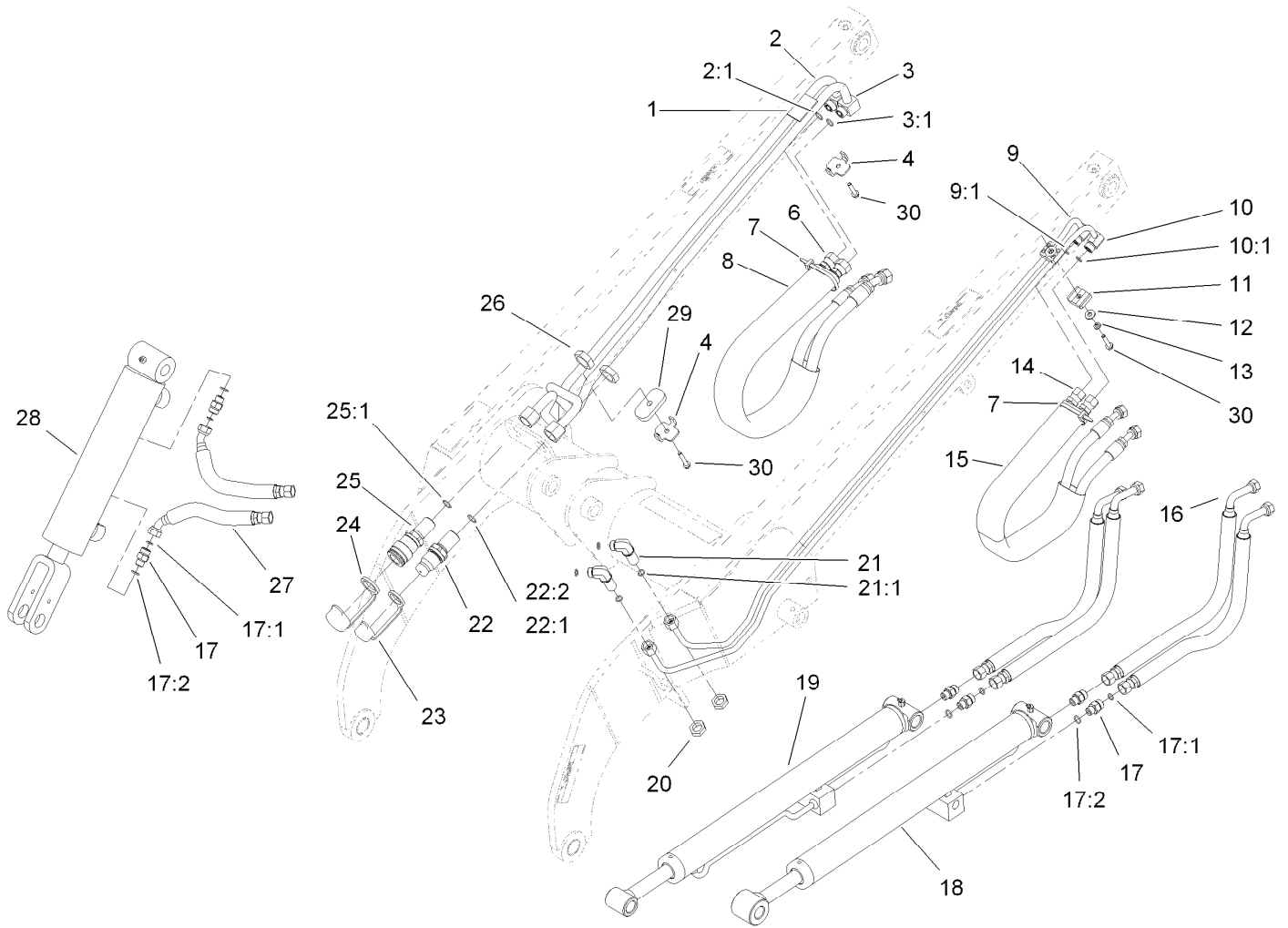
One Spool Valve Assembly No. 104-2831

<i>Ref.</i>	<i>Part Number</i>	<i>Qty.</i>	<i>Description</i>
1	99-4390	1	Seal Kit
1:1	99-3074	4	Gasket
1:2	99-3075	8	Gasket



Loader Arm Assembly

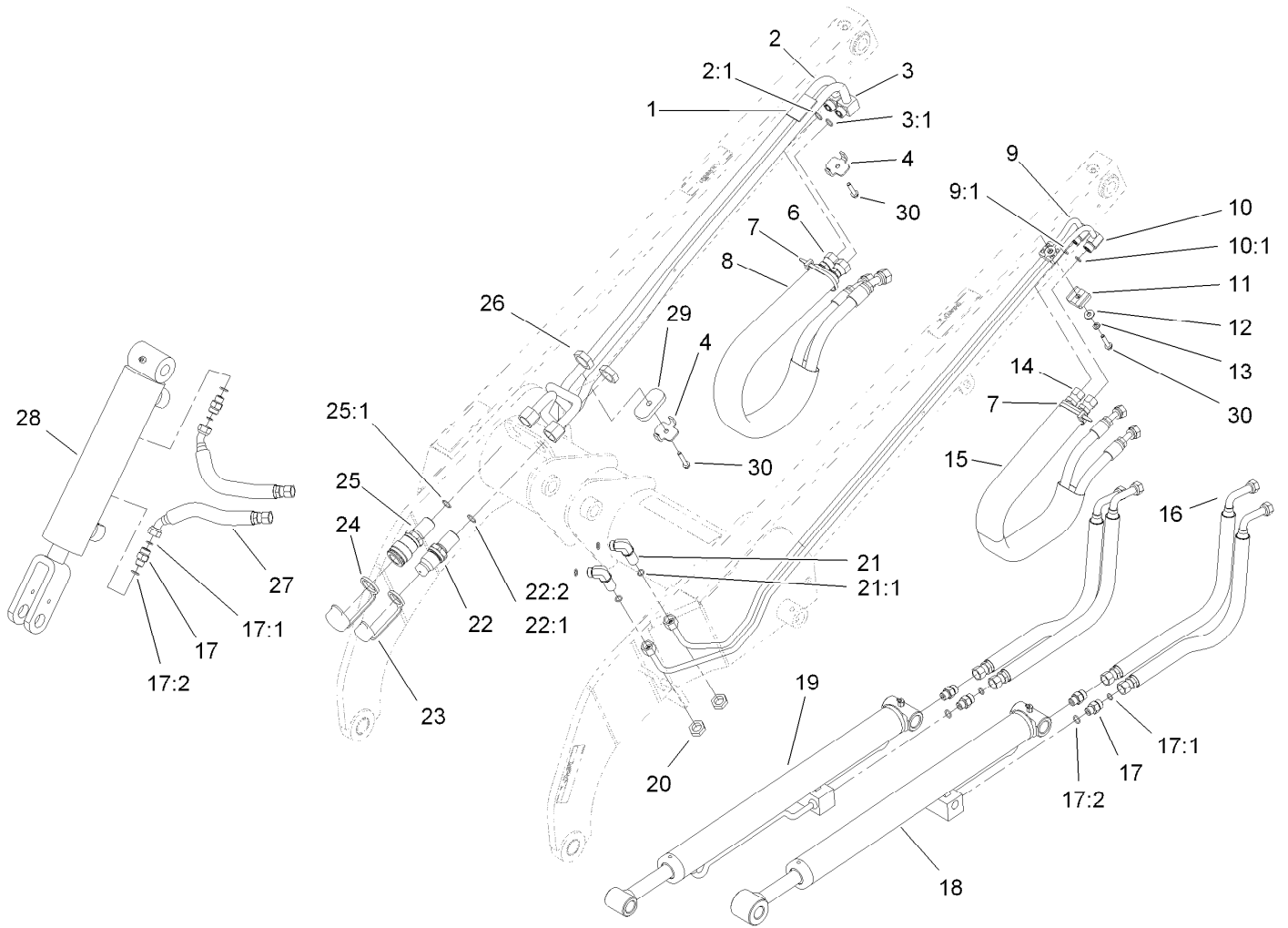
<i>Ref.</i>	<i>Part Number</i>	<i>Qty.</i>	<i>Description</i>	<i>Ref.</i>	<i>Part Number</i>	<i>Qty.</i>	<i>Description</i>
1	108-4638	1	Loader Arm ASM	5	95-1687	4	Rivet
1:2	302-5	2	Fitting-Grease	7	98-0083	1	Stop-Rubber
1:3	95-3577	4	Bushing	9	112-2583	1	Pin-Locking
1:4	98-4871	2	Bushing-Tension	10	108-4639	1	Locking Arm ASM
1:5	100-8821	4	Decal-Warning, Pinch	10:2	115-4858	2	Decal-Danger
1:6	115-4856	1	Decal-Caution	11	68-1440	2	Washer-Rubber
1:7	115-4855	1	Decal-Caution	12	115-4868	2	Decal
1:8	100-8822	1	Decal-No Rider	13	325-14	1	Screw-HH
2	322-10	7	Screw-HH	14	105-1217	2	Decal
3	104-2849	7	Pin-Locking	15	3296-23	1	Nut-Lock, NI
4	3296-29	7	Nut-Lock, NI				



Loader Arm Hydraulic Assembly

Ref.	Part Number	Qty.	Description	Ref.	Part Number	Qty.	Description
1	106-9366	1	Spacer-Hardline	16	98-0216	4	HYD Hose ASM
2	108-6319	1	HYD Tube ASM	17	340-2	6	Fitting-HYD, Straight
2:1	237-22	1	O-Ring	17:1	237-22	1	O-Ring
3	112-2563	1	HYD Tube ASM	17:2	237-42	1	O-Ring
3:1	237-22	1	O-Ring	18	117-1831	1	Cylinder-Lift, LH
4	98-0237	2	Plate-Clamp, Tube	19	117-1832	1	Cylinder-Lift, RH
6	98-0242	2	HYD Hose ASM	20	340-70	2	Nut-Lock
7	3290-378	2	Tie-Cable	21	340-154	2	Union-Bulkhead
8	100-6128	1	Sleeve-Protective	21:1	237-22	2	O-Ring
9	106-9364	1	HYD Tube ASM	22	105-8395	1	Bulkhead Nipple ASM
9:1	237-22	1	O-Ring	22:1	237-65	1	O-Ring
10	106-9365	1	HYD Tube ASM	22:2	100-6120	1	Seal Kit ●
10:1	237-22	1	O-Ring	23	100-8815	1	Cap-Dust, Nipple
11	56-7973	2	Clamp-Tube	24	100-8816	1	Cap-Dust, Coupler
12	3256-2	1	Washer-Flat	25	105-8394	1	Bulkhead Coupler ASM
13	3253-3	1	Washer-Lock	25:1	237-65	1	O-Ring
14	98-0213	2	HYD Hose ASM	26	340-74	2	Nut-Lock, Bulkhead
15	100-6127	1	Sleeve-Protective	27	98-0207	2	HYD Hose ASM

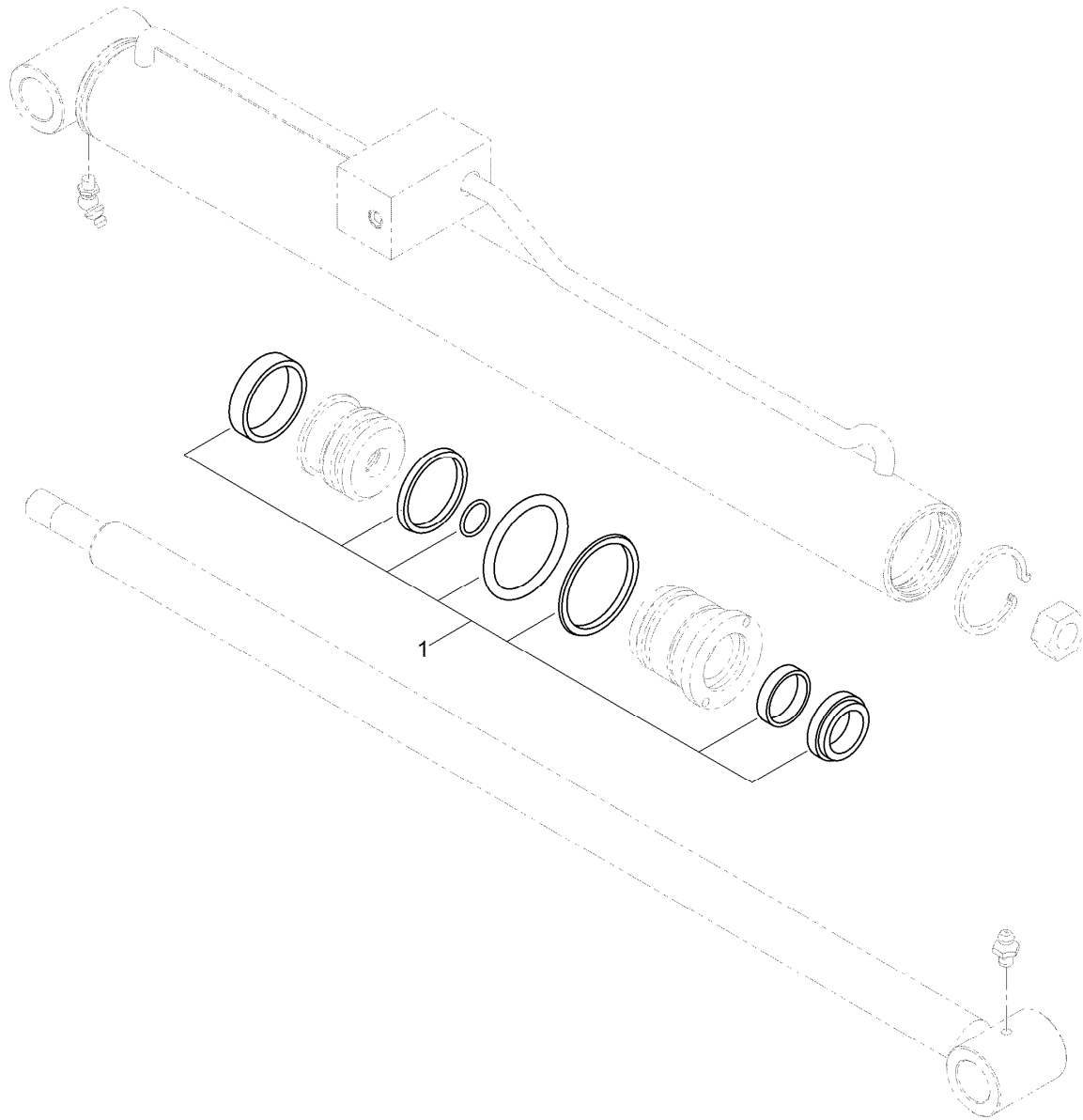
● Not illustrated



Loader Arm Hydraulic Assembly (continued)

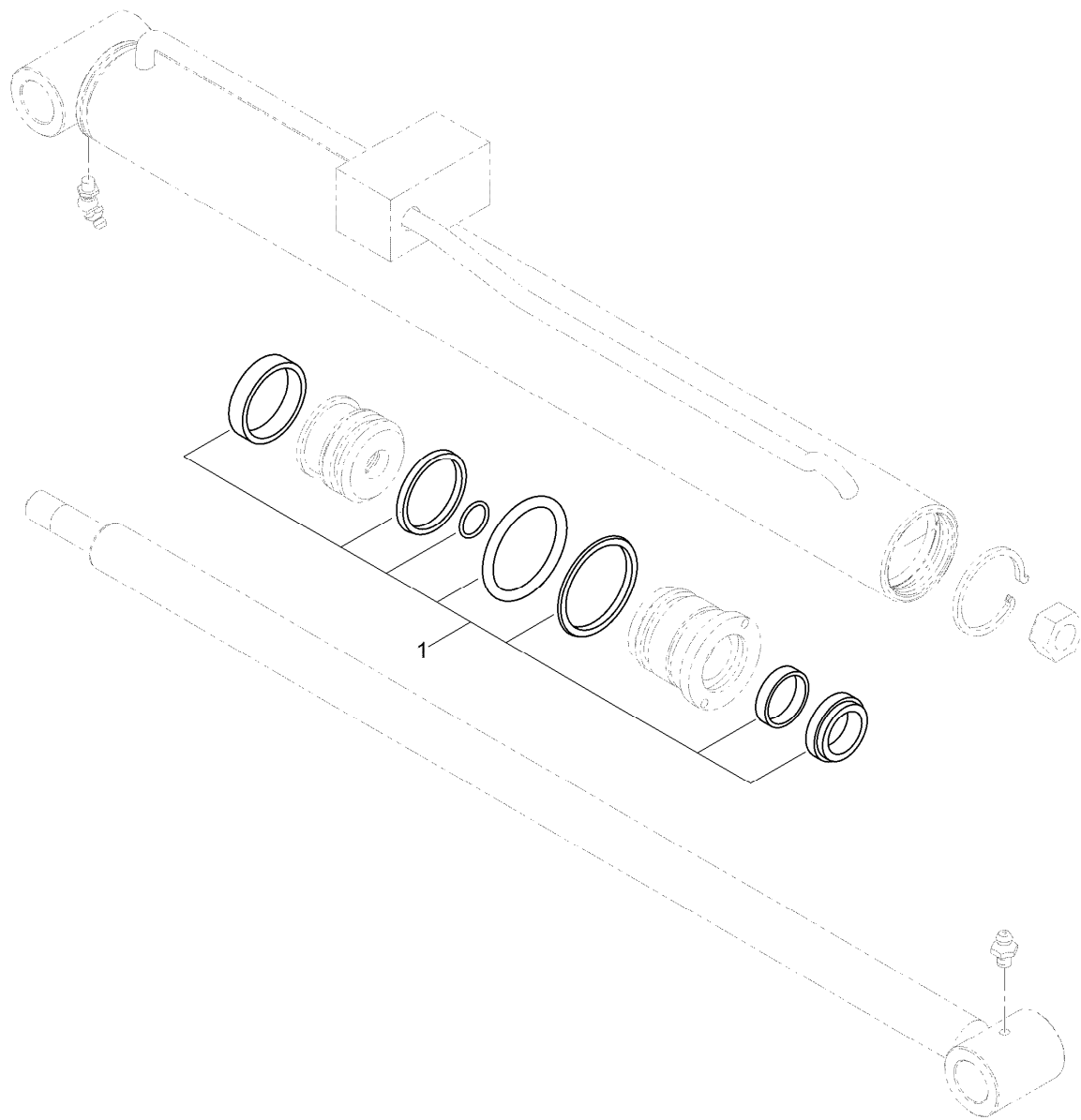
<i>Ref.</i>	<i>Part Number</i>	<i>Qty.</i>	<i>Description</i>	<i>Ref.</i>	<i>Part Number</i>	<i>Qty.</i>	<i>Description</i>
28	117-1833	1	Cylinder-Tilt	29	112-2565	1	Plate-Hardline
				30	94-2691	3	Screw-HWH

● Not illustrated



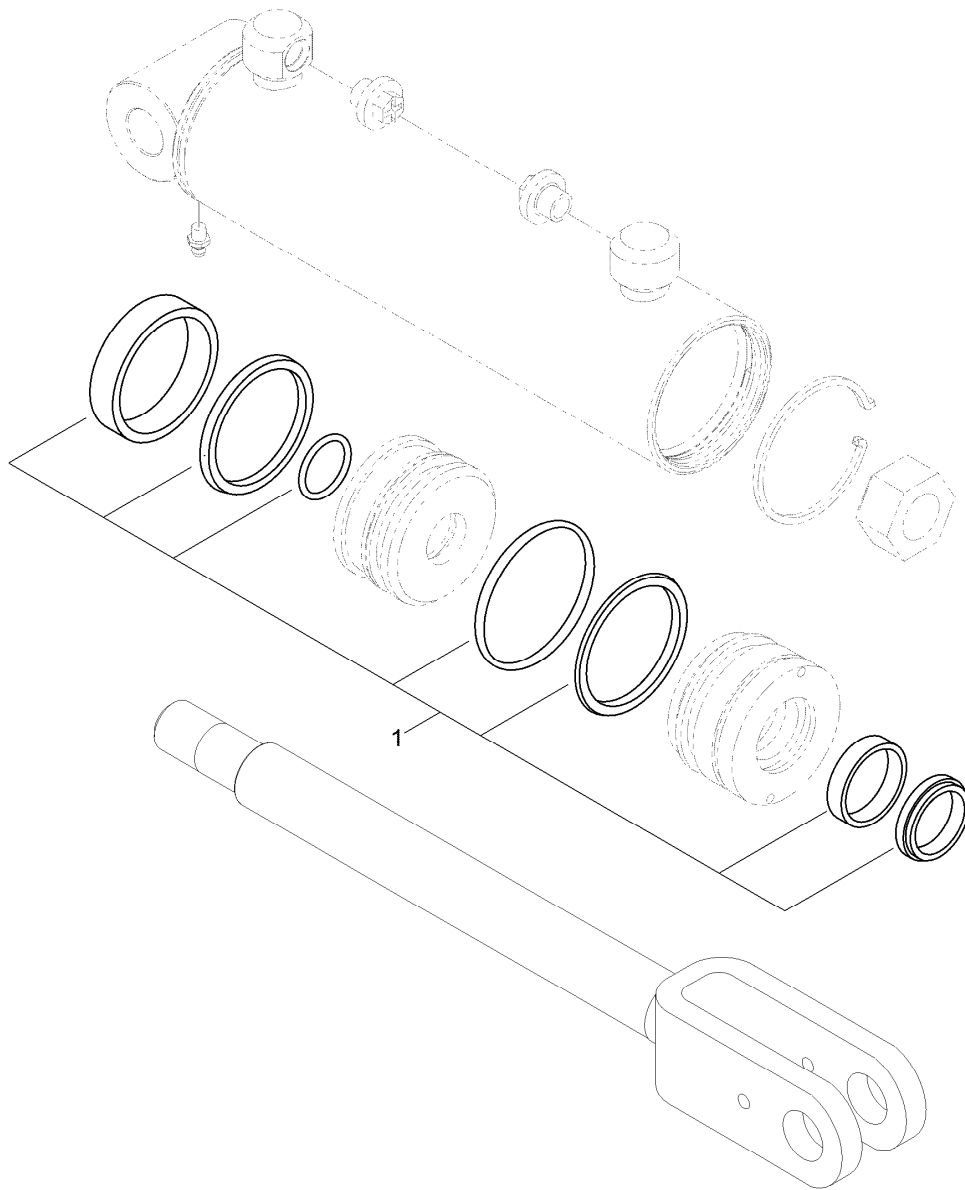
Left Hand Hydraulic Lift Cylinder Assembly No. 117-1831

<i>Ref.</i>	<i>Part Number</i>	<i>Qty.</i>	<i>Description</i>
1	117-1841	1	Seal Kit



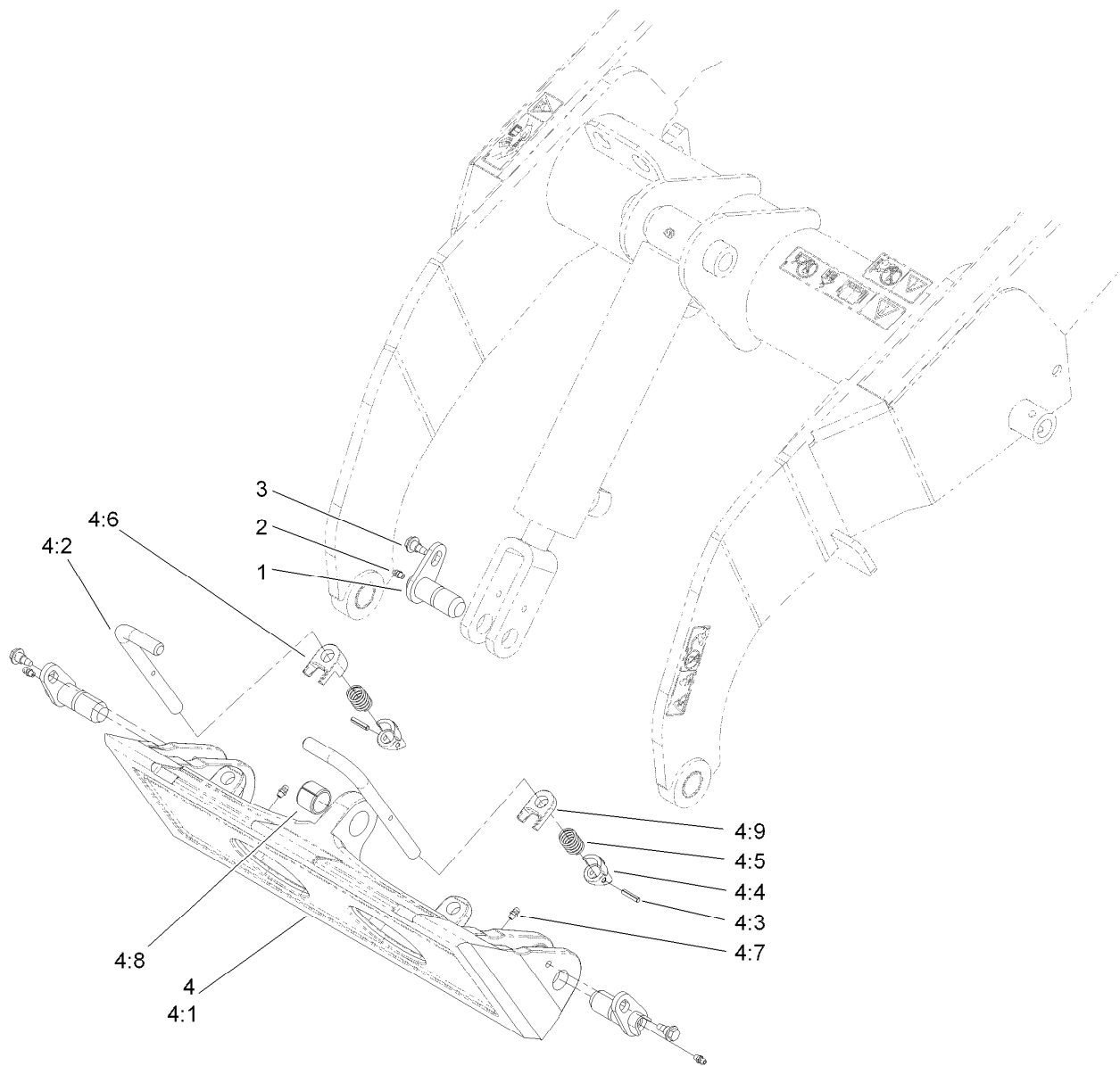
Right Hand Hydraulic Lift Cylinder Assembly No. 117-1832

<i>Ref.</i>	<i>Part Number</i>	<i>Qty.</i>	<i>Description</i>
1	117-1841	1	Seal Kit



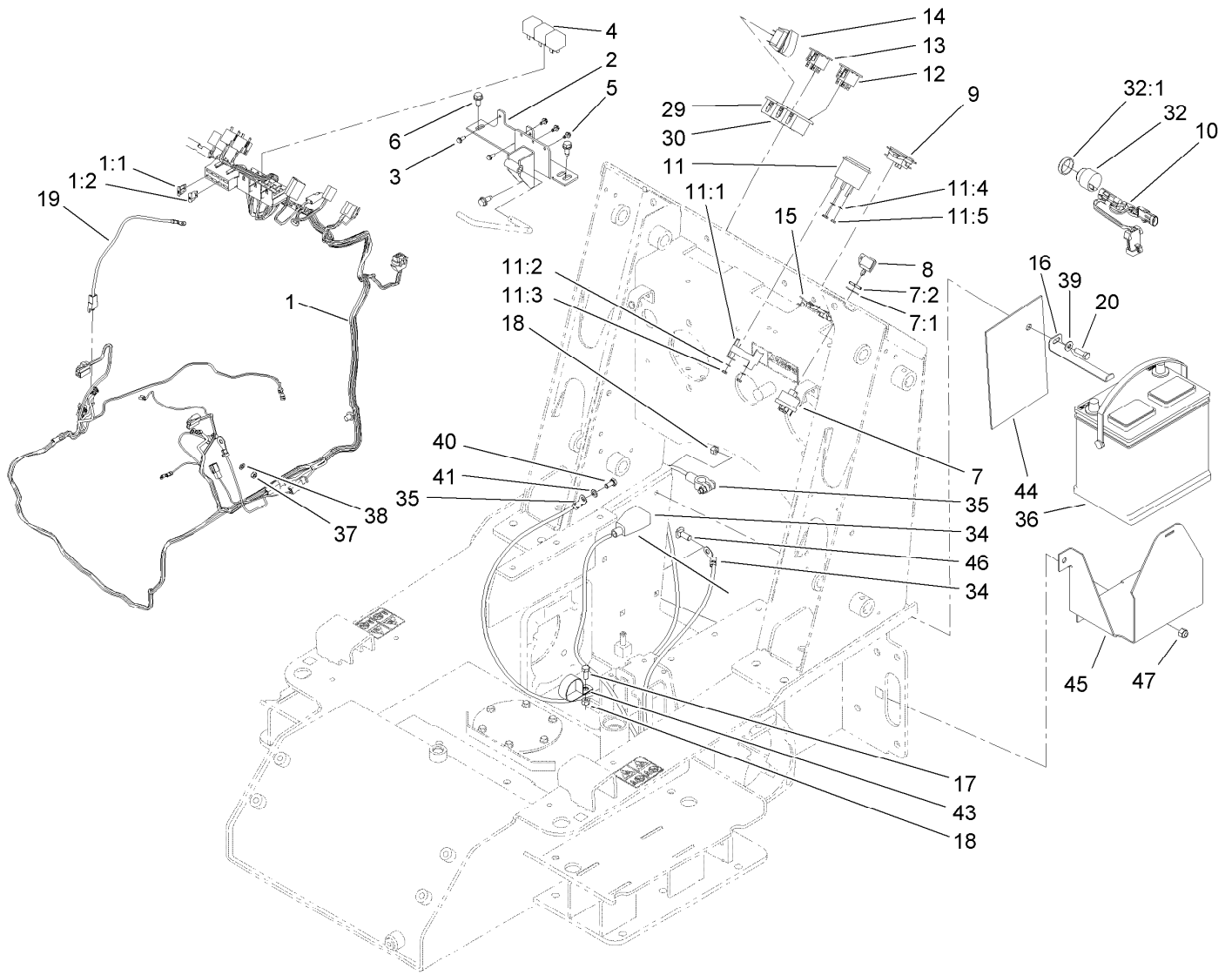
Hydraulic Cylinder Assembly No. 117-1833

<i>Ref.</i>	<i>Part Number</i>	<i>Qty.</i>	<i>Description</i>
1	117-1838	1	Seal Kit



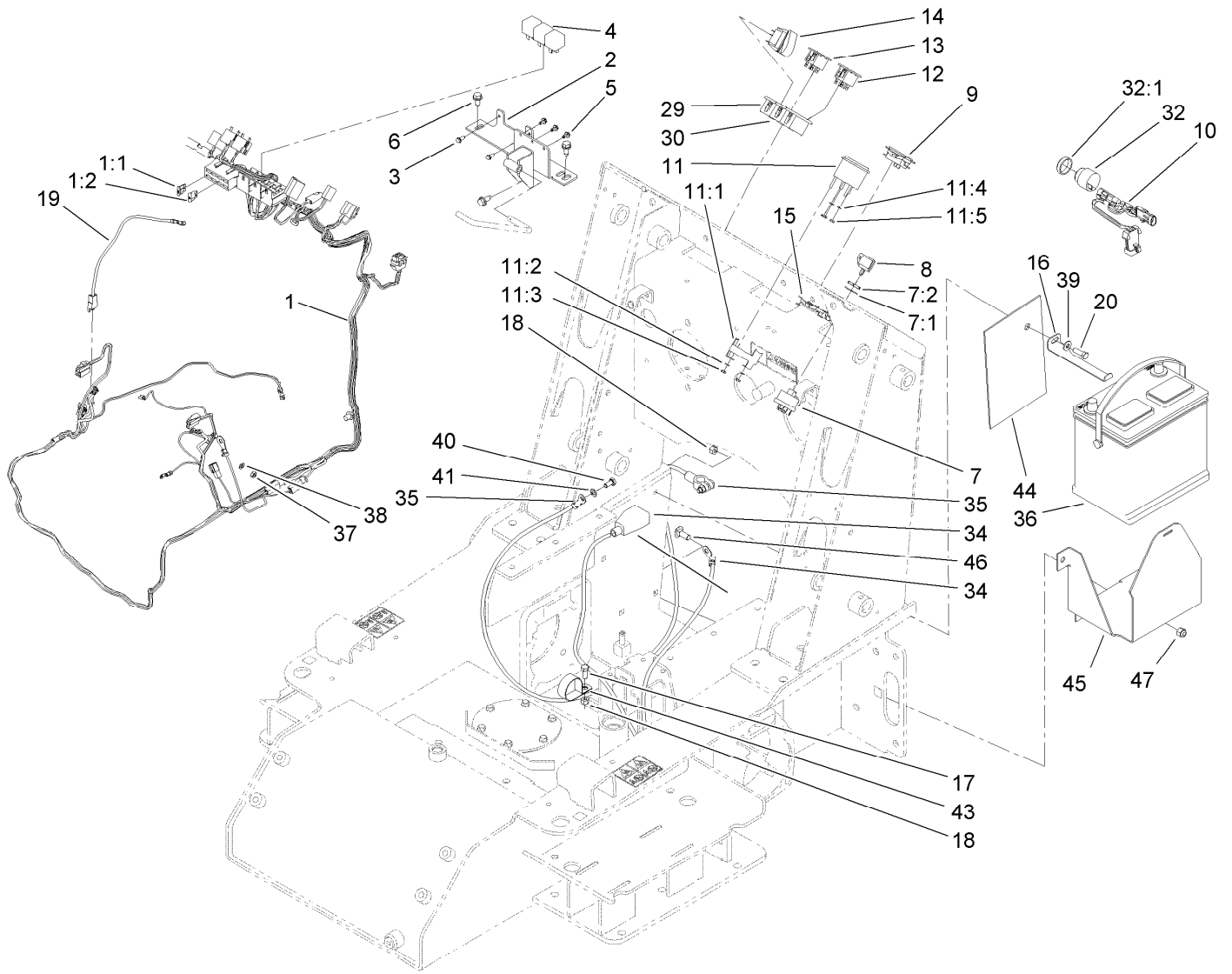
Quick Attach Assembly

<i>Ref.</i>	<i>Part Number</i>	<i>Qty.</i>	<i>Description</i>
1	112-2609	3	Pin-Pivot
2	302-5	3	Fitting-Grease
3	99-5105	3	Bolt-Shoulder
4	115-0788	1	Quick Attach ASM
4:1	115-0774-03	1	Mount-Qtach
4:2	105-8367	2	Pin-Locking
4:3	3285-1	2	Pin-Grooved
4:4	105-0246	2	Cam
4:5	98-4694	2	Spring-Compression
4:6	104-5909	1	Stop-RH
4:7	302-5	2	Fitting-Grease
4:8	98-4871	1	Bushing-Tension
4:9	104-5903	1	Stop-LH



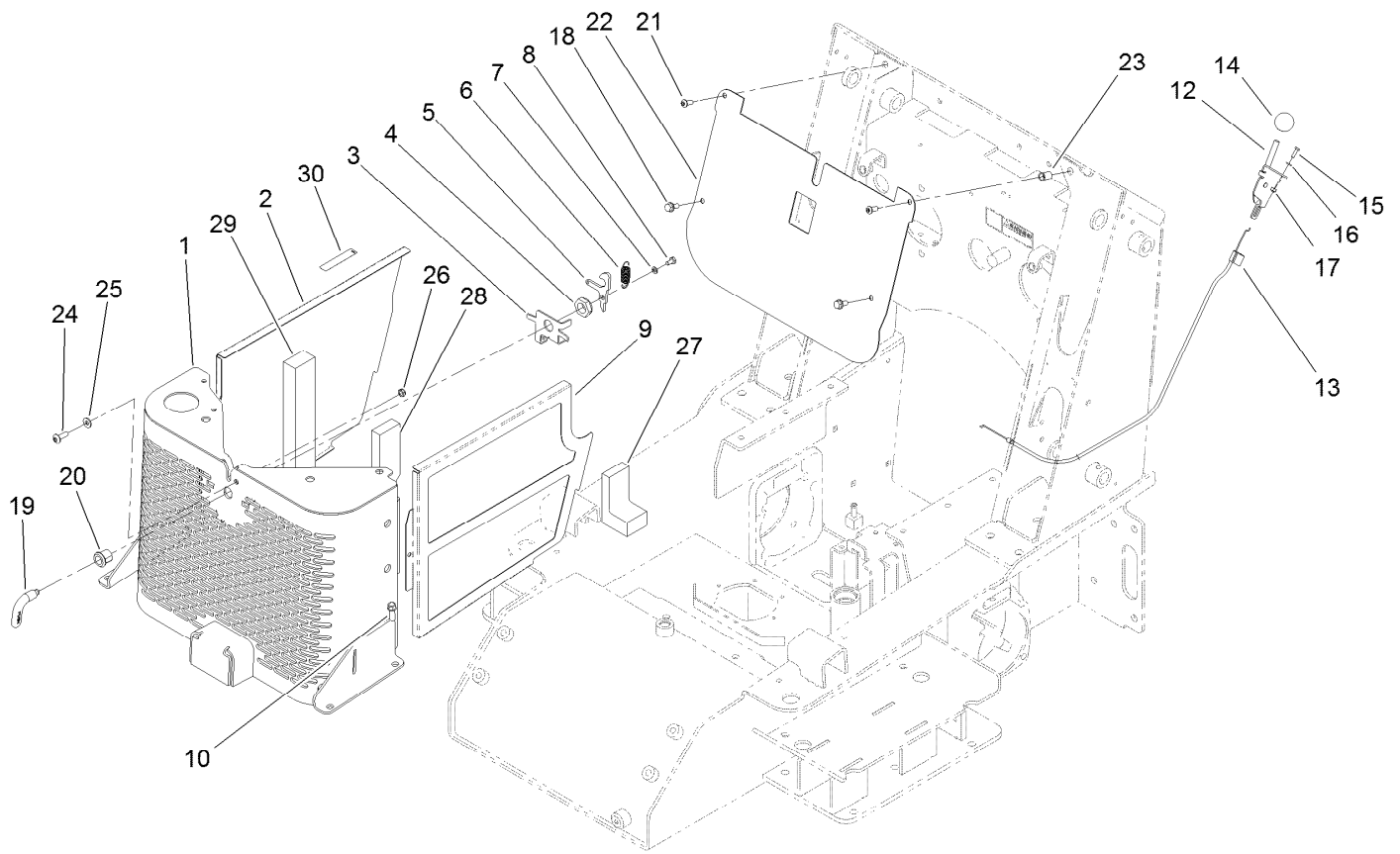
Electrical System Assembly

Ref.	Part Number	Qty.	Description	Ref.	Part Number	Qty.	Description
1	117-1329	1	Harness-Wire	13	100-8071	1	Lamp-Warning
1:1	112-2463	1	Harness-Fusible Link (18FI)	14	110-0811	1	Switch-Rocker
1:2	108-6346	1	Harness-Fusible Link (14FI)	15	104-4234	1	Clip-Mounting
2	108-6360-03	1	Relay Bracket ASM	16	108-6275-03	1	Clamp-Battery
3	32104-4	2	Screw	17	322-3	1	Screw-HH
4	98-7249	3	Relay	18	3296-29	2	Nut-Lock, NI
5	104-2065	3	Screw-HWH	19	108-6365	1	Harness-Wire
6	32144-11	3	Screw-HWHTF	20	322-5	1	Screw-HH
7	88-9830	1	Key Switch ASM	29	108-6325	2	Bracket-End
7:1	3254-5	1	Washer-Tooth, Internal	30	108-6326	1	Bracket-Middle
7:2	218-461	1	Nut-HH	32	80-9330	1	Audio Alarm ASM
8	63-8360	2	Key-Ignition	32:1	104-5107	1	Nut-Plastic, Knurled
9	120-2244	1	Hourmeter	34	108-6327	1	Cable-Battery, Positive
10	115-0730	1	Harness-Wire, Neutral	35	108-6328	1	Cable-Battery, Negative
11	66-2940	1	Gauge-Fuel	36	104-9979	1	Battery-Dry
11:1	100-6147	1	Bracket-Mounting, Gauge	37	43-2830	1	Nut-Hex
11:2	3254-1	2	Washer-Lock, Int	38	43-5930	1	Washer-Lock, Spring
11:3	3217-27	2	Nut-Hex	39	3256-2	1	Washer-Flat
11:4	3255-24	3	Washer-Lock / EXT	40	33104-016	1	Screw-HHF
11:5	3217-16	3	Nut-Hex	41	3255-8	1	Washer-Lock
12	100-8070	1	Lamp-Warning	43	2412-147	1	Clamp



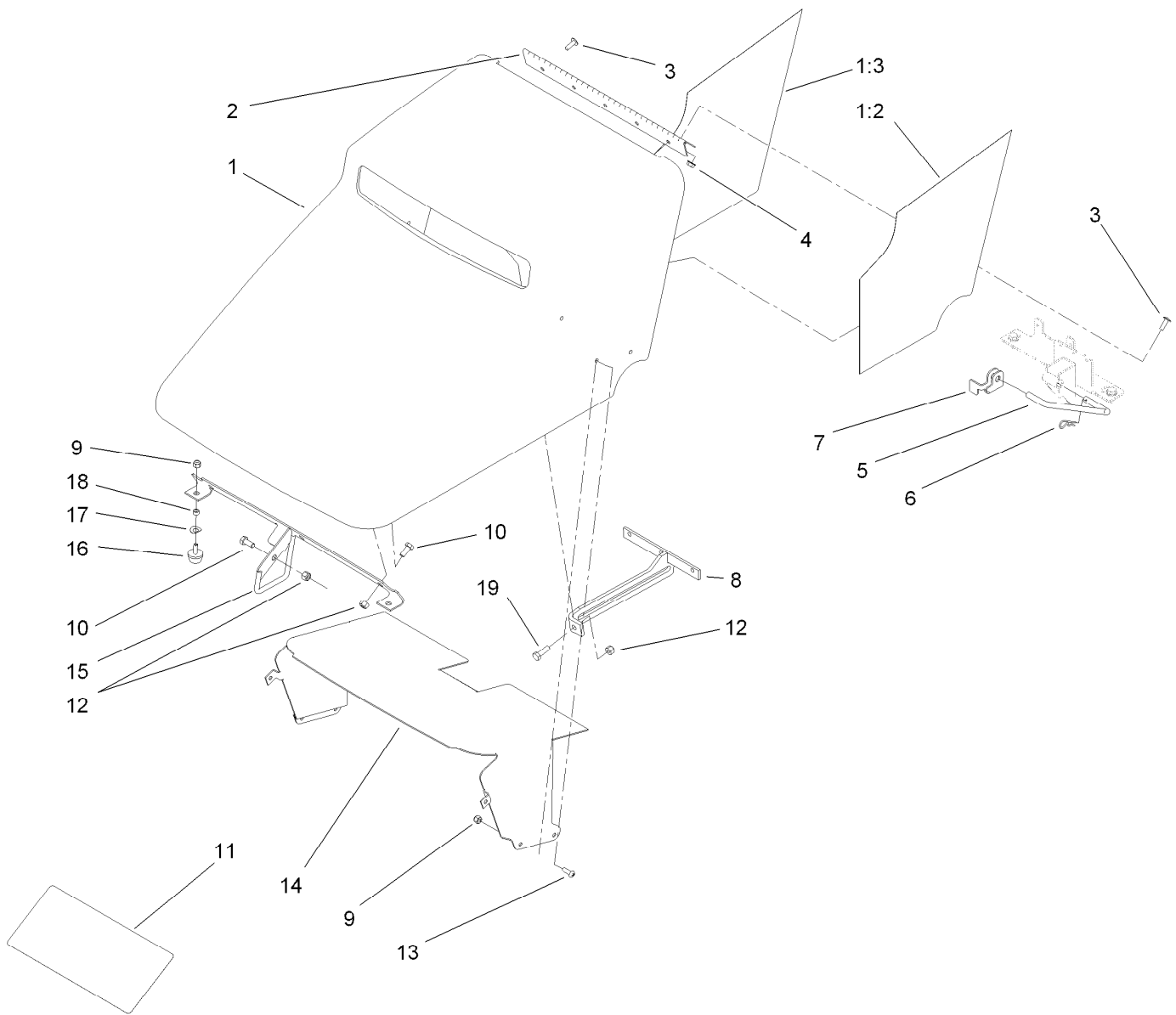
Electrical System Assembly (continued)

<i>Ref.</i>	<i>Part Number</i>	<i>Qty.</i>	<i>Description</i>	<i>Ref.</i>	<i>Part Number</i>	<i>Qty.</i>	<i>Description</i>
44	108-6392	1	Guard-Battery	46	3231-2	3	Bolt-CARR
45	108-6274-03	1	Mount-Battery	47	3296-39	3	Nut-Lock, NI



Grill Assembly

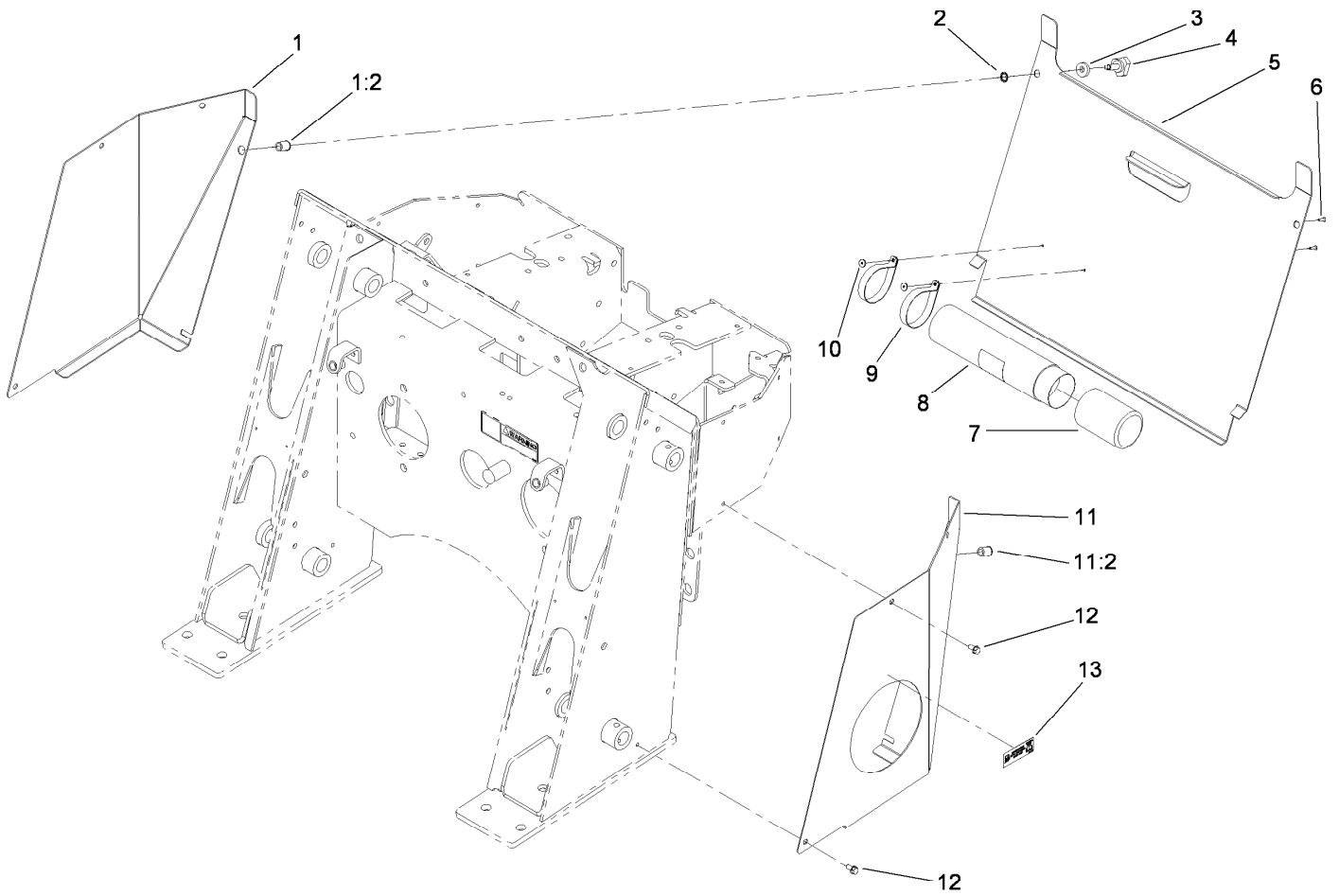
<i>Ref.</i>	<i>Part Number</i>	<i>Qty.</i>	<i>Description</i>	<i>Ref.</i>	<i>Part Number</i>	<i>Qty.</i>	<i>Description</i>
1	117-1318-03	1	Grill ASM	17	32149-7	2	Nut-Keps
2	117-9963-03	1	RH Side Panel	18	3234-5	2	Screw-HHF
3	106-5729-03	1	Bracket-Latch	19	108-5639	1	Handle-Latch
4	3296-60	1	Nut-Lock, NI	20	106-9335	1	Housing-Latch
5	106-5728	1	Cam-Latch	21	3274-55	2	Screw-HSBH
6	104-0869	1	Spring-Brake	22	108-6225	1	Baffle-Electrical
7	3253-3	1	Washer-Lock	23	32148-8	2	Insert-Threaded
8	321-2	1	Screw-HH	24	107-8021	1	Screw-PTH
9	117-9964-03	1	LH Side Panel	25	3256-2	1	Washer-Flat
10	95-1726	4	Screw-Taptite	26	3296-47	1	Nut-Lock, NI
12	108-9730	1	Lever-Control	27	108-6375	2	Seal-Foam
13	108-6337	1	Cable-Throttle	28	108-6371	2	Seal-Foam
14	233-42	1	Knob	29	108-6369	1	Seal-Foam
15	3290-134	2	Screw	30	93-6681	1	Decal-Warning, Fan
16	3256-51	2	Washer-Flat				



Hood Assembly

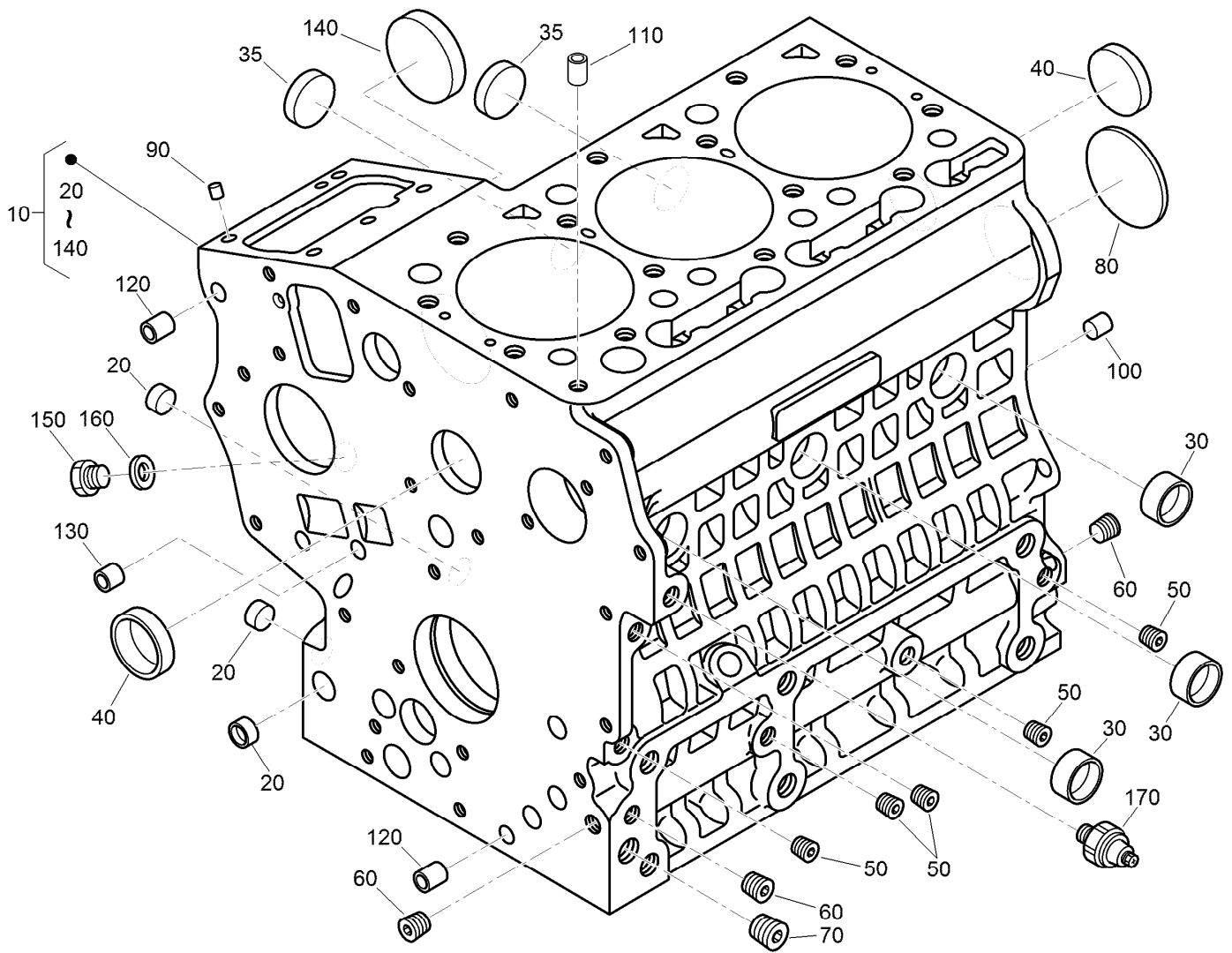
<i>Ref.</i>	<i>Part Number</i>	<i>Qty.</i>	<i>Description</i>
1	112-2460	1	Hood ASM
1:2	112-2464	1	Foiltape-LH
1:3	112-2465	1	Foiltape-RH
2	100-1284	1	Hinge-Hood
3	9114604	9	Screw-Head, Truss
4	32128-33	4	Nut-HF
5	108-6357	1	Rod-Support, Hood
6	3290-250	1	Pin-Hair
7	115-0714	1	Bracket-Latch, Locking
8	112-2448-03	1	Prop Rod Bracket ASM
9	3296-42	13	Nut-Lock, NI

<i>Ref.</i>	<i>Part Number</i>	<i>Qty.</i>	<i>Description</i>
10	322-3	5	Screw-HH
11	117-1807	1	Decal-Service
12	3296-29	5	Nut-Lock, NI
13	3258-166	6	Screw-PRH
14	108-6286	1	Baffle-Hood
15	108-6287-03	1	Rod Latch ASM
16	1-523420	2	Bumper
17	3290-301	2	Washer-Spring
18	106-9308	2	Spacer
19	322-5	1	Screw-HH



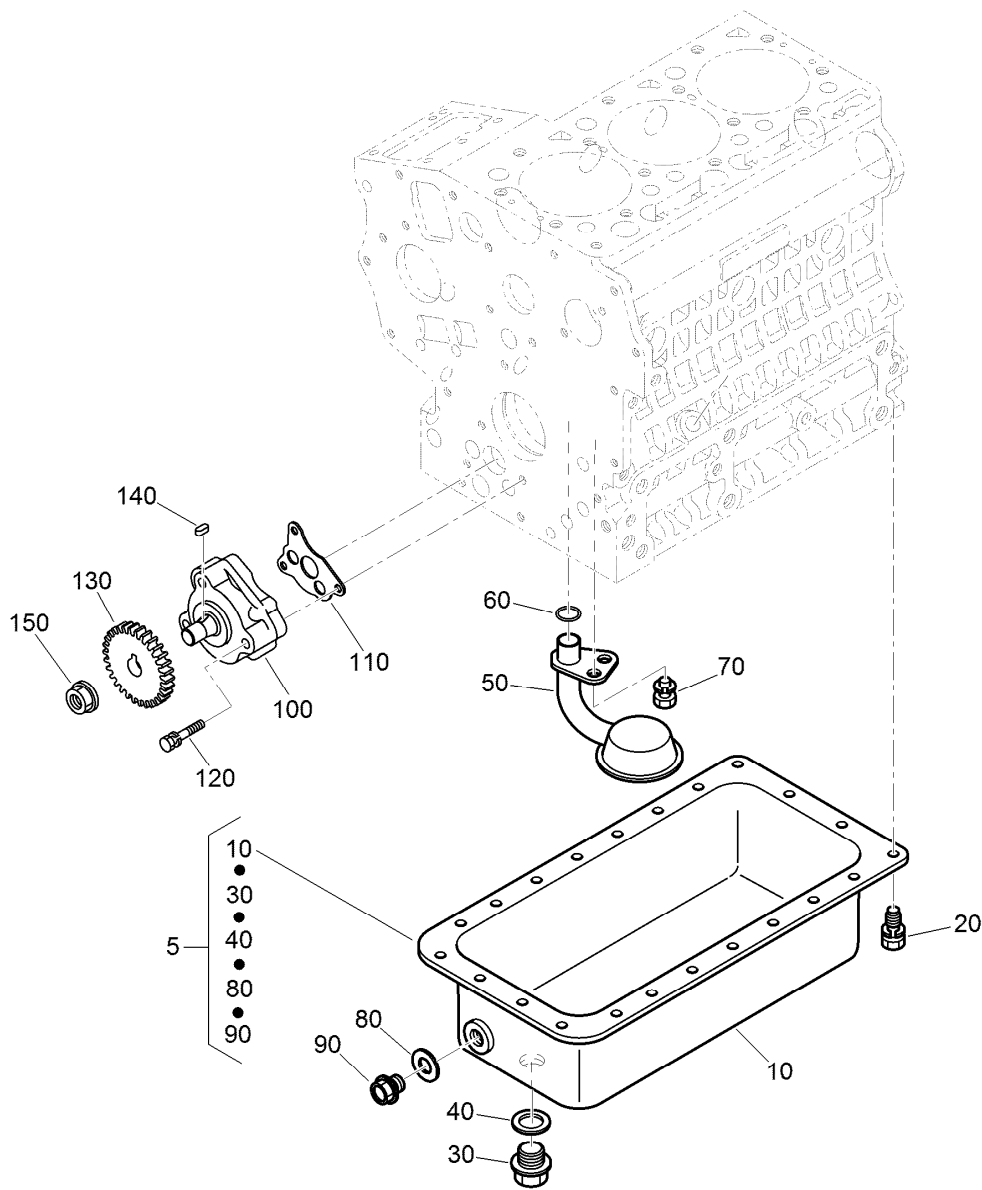
Rear Access Cover Assembly

<i>Ref.</i>	<i>Part Number</i>	<i>Qty.</i>	<i>Description</i>
1	106-9342	1	RH Rear Cover Support ASM
1:2	32148-9	1	Insert-Nut
2	32151-72	2	Ring-Retaining
3	106-0565	2	Washer-Rubber
4	95-9648	2	Knob
5	106-9339-01	1	Cover-Access, Rear
6	3269-17	2	Rivet-Pop
7	104-7048	1	Cap-Housing
8	104-7050	1	Tube-Manual
9	2412-120	2	Clamp-R
10	3269-10	2	Washer-Back
11	106-9343	1	LH Rear Cover Support ASM
11:2	32148-9	1	Insert-Nut
12	9266714	6	Screw-HWH
13	114-9600	1	Decal-Low Sulfur



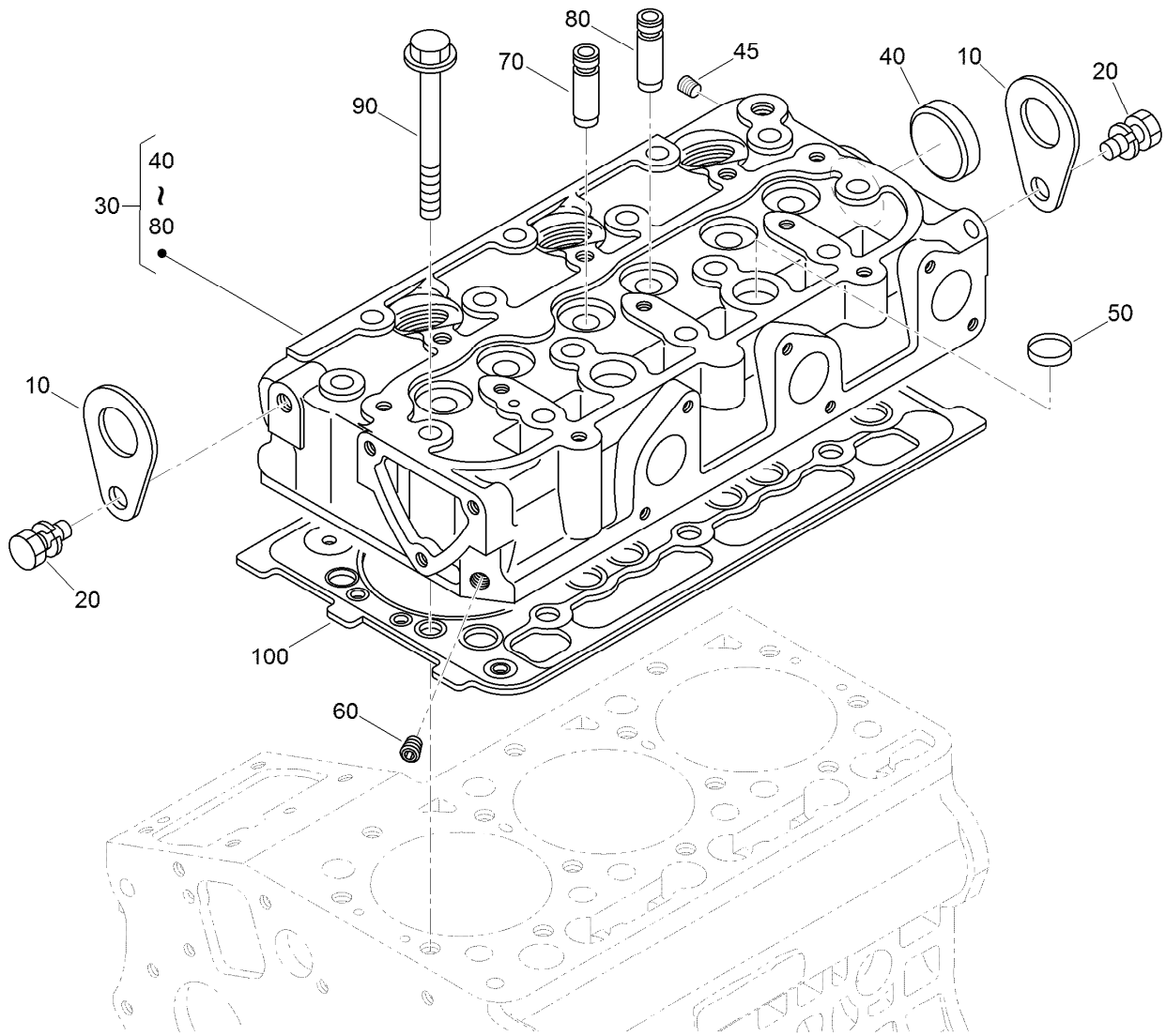
Crankcase Assembly

<i>Ref.</i>	<i>Part Number</i>	<i>Qty.</i>	<i>Description</i>	<i>Ref.</i>	<i>Part Number</i>	<i>Qty.</i>	<i>Description</i>
10	130-1486	1	Crankcase ASM	90	98-9375	2	Pin-Straight
20	100-2019	3	Cap-Sealing	100	98-9377	2	Pin-Straight
30	100-2020	3	Cap-Sealing	110	98-7506	1	Pin-Pipe
35	110-3702	2	Cap-Sealing	120	100-2051	2	Pin-Pipe
40	98-9398	2	Cap-Sealing	130	100-2051	2	Pin-Pipe
50	98-9687	5	Plug	140	100-1991	1	Cover-Fuel, Camshaft
60	98-7487	3	Plug	150	99-3447	1	Plug
70	98-7488	1	Plug	160	112-8325	1	Washer
80	100-1851	1	Plug-Expansion	170	98-7764	1	Switch-Oil



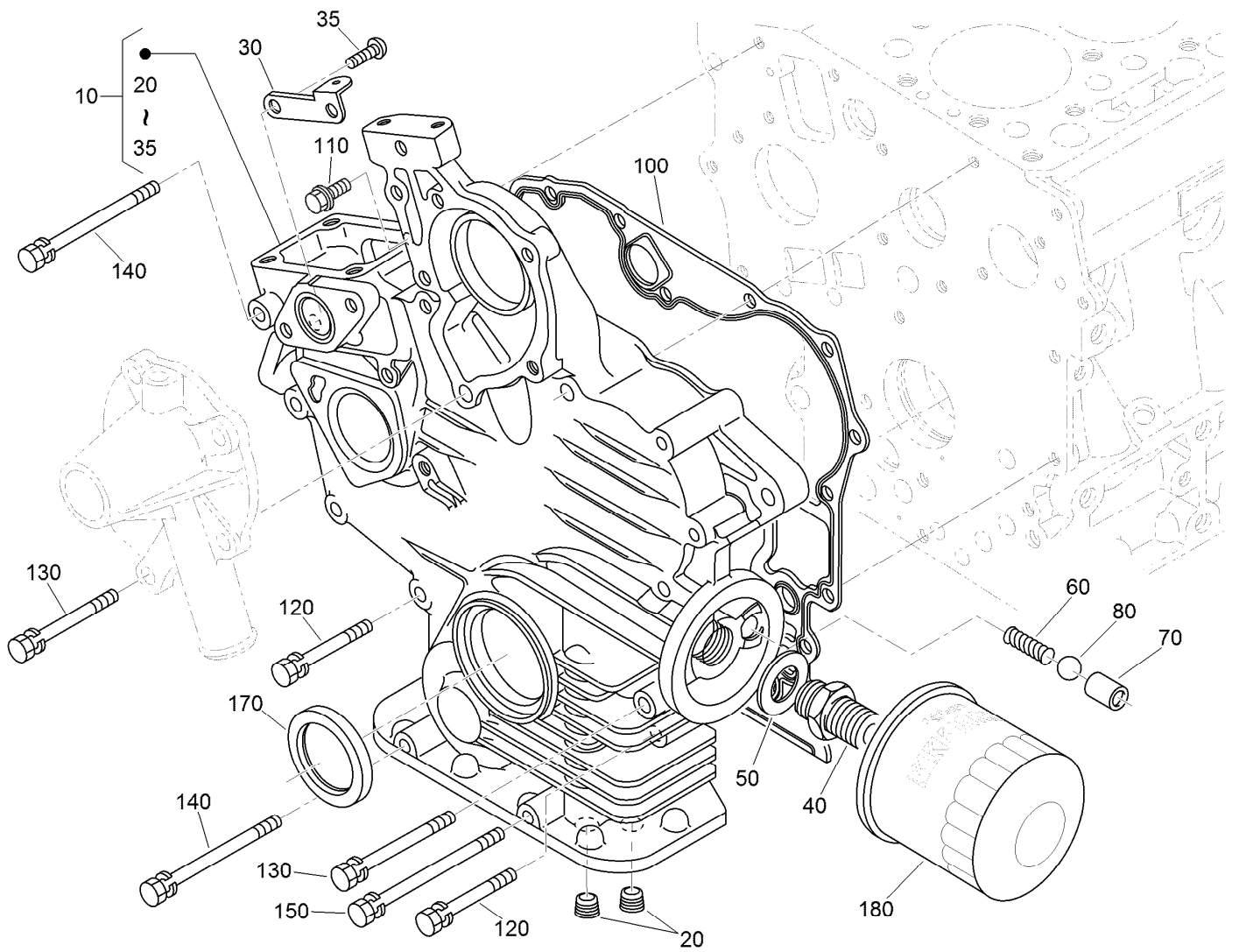
Oil Pan and Oil Pump Assembly

<i>Ref.</i>	<i>Part Number</i>	<i>Qty.</i>	<i>Description</i>	<i>Ref.</i>	<i>Part Number</i>	<i>Qty.</i>	<i>Description</i>
5	112-8327	1	Oil Pan Kit	80	98-7524	1	Gasket
10	112-2523	1	Pan-Oil	90	98-9686	1	Plug-Drain
20	98-9350	22	Bolt	100	100-2002	1	Oil Pump ASM
30	114-8151	1	Plug-Drain	110	100-2003	1	Gasket-Pump, Oil
40	110-9715	1	Gasket-Pan, Oil	120	100-1923	3	Bolt
50	100-2001	1	Strainer-Pickup, Oil	130	130-1419	1	Gear-Drive, Oil Pump
60	105-3776	1	O-Ring	140	98-7658	1	Key-Feather
70	100-9195	1	Bolt	150	100-1779	1	Nut-Flange



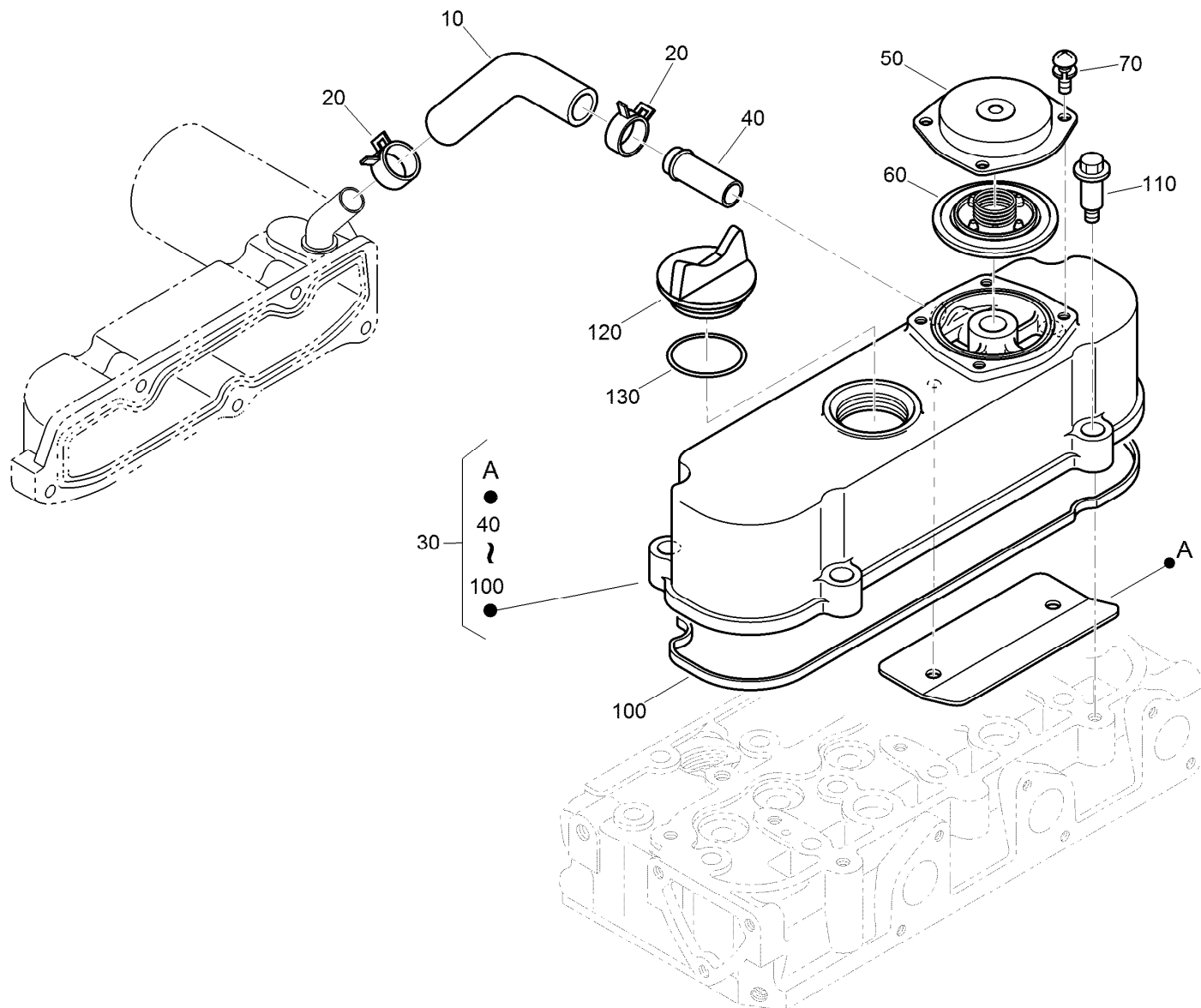
Cylinder Head Assembly

<i>Ref.</i>	<i>Part Number</i>	<i>Qty.</i>	<i>Description</i>
10	98-7531	2	Hook-Engine
20	98-7526	2	Bolt
30	130-1533	1	Cylinder Head ASM
40	105-3705	1	Cap-Sealing
45	98-9444	1	Plug
50	98-9389	2	Cap-Sealing
60	98-9687	1	Plug
70	100-1882	3	Guide-Valve, Inlet
80	100-1883	3	Guide-Valve, Exhaust
90	100-1820	14	Bolt-Head, Cylinder
100	112-2520	1	Gasket-Head, Cylinder



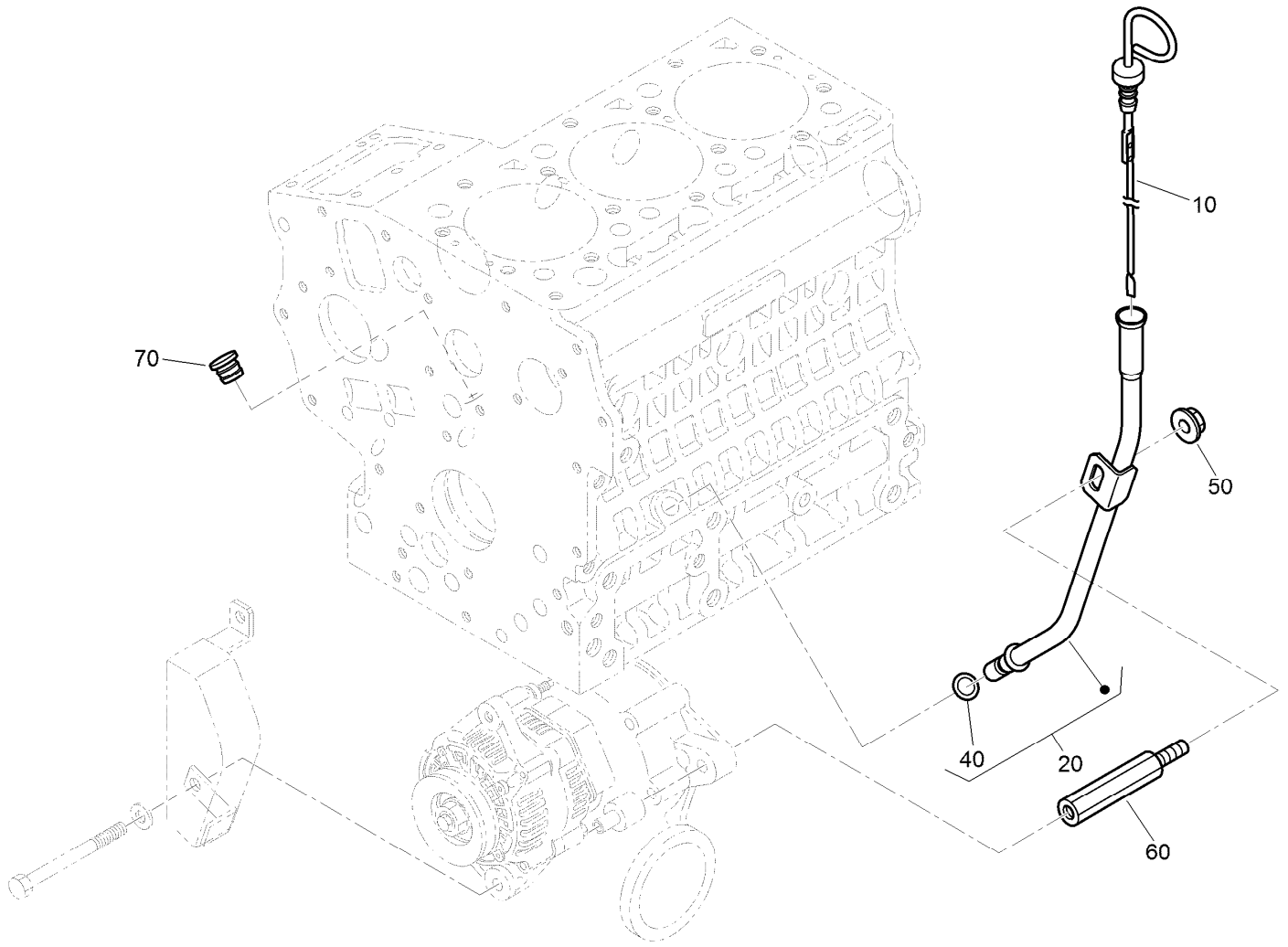
Gear Case and Oil Filter Cartridge Assembly

<i>Ref.</i>	<i>Part Number</i>	<i>Qty.</i>	<i>Description</i>	<i>Ref.</i>	<i>Part Number</i>	<i>Qty.</i>	<i>Description</i>
10	117-1702	1	Gear Case ASM	100	117-0327	1	Gasket-Case, Gear
20	98-7488	2	Plug	110	127-0403	1	Bolt-Flange
30	110-3708	1	Stay-Spring, Start	120	125-9063	9	Bolt-Sems
35	100-2040	2	Screw	130	100-1922	2	Bolt
40	98-9388	1	Joint-Pipe	140	98-9357	2	Bolt
50	100-1926	1	Washer-Plain	150	110-3710	1	Bolt
60	100-2004	1	Spring	170	120-7852	1	Seal-Oil
70	100-1894	1	Seat-Valve	180	115-8189	1	Filter-Oil, Engine
80	100-1792	1	Ball				



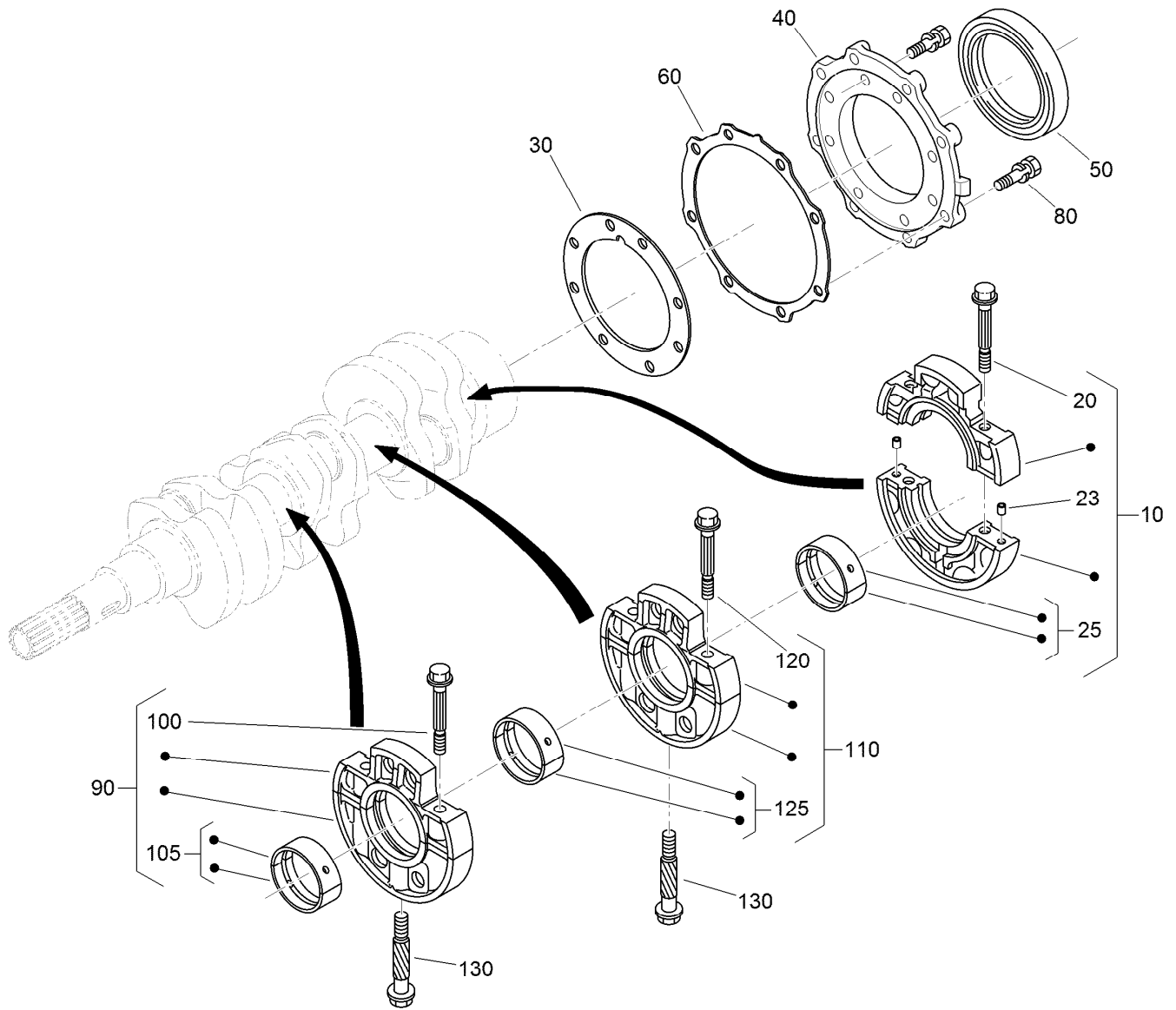
Cylinder Head Cover Assembly

Ref.	Part Number	Qty.	Description
10	120-3139	1	Tube-Breather
20	110-3712	2	Clamp-Hose
30	112-8332	1	Cylinder Head Cover ASM
40	98-9580	1	Pipe-Return, Water
50	110-3714	1	Cover-Breather
60	110-3715	1	Valve-Breather
70	98-9364	4	Screw (With Washer)
100	112-2521	1	Gasket-Cover, Head
110	108-7063	4	Bolt
120	107-9075	1	Plug-Filler, Oil
130	99-3446	1	O-Ring



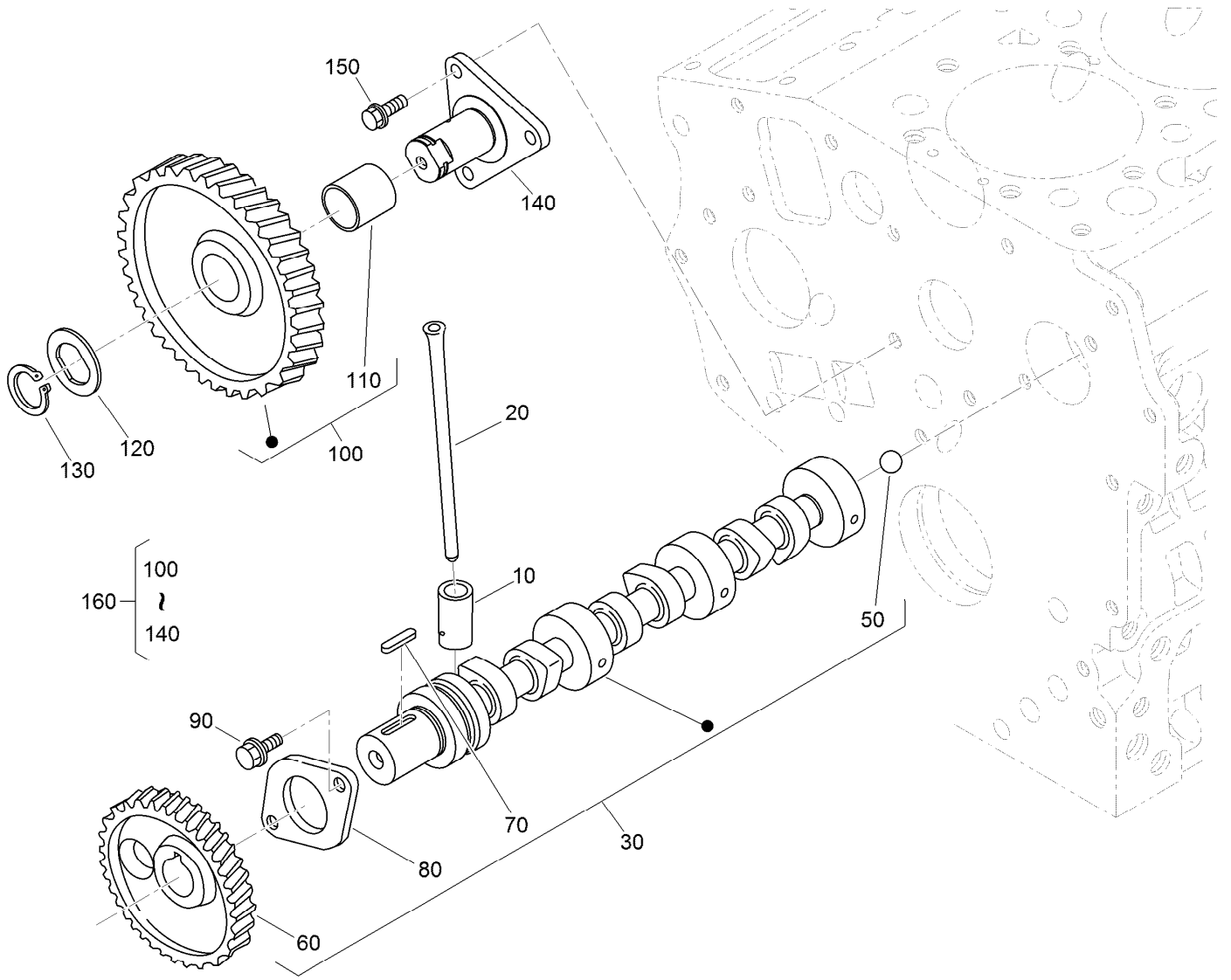
Dipstick and Guide Assembly

<i>Ref.</i>	<i>Part Number</i>	<i>Qty.</i>	<i>Description</i>
10	112-2489	1	Gauge-Oil
20	112-2490	1	Oil Gauge Guide ASM
40	98-9722	1	O-Ring
50	112-2492	1	Nut-Flange
60	112-2493	1	Support-Guide, Gauge
70	110-3720	2	Plug-Gauge, Oil



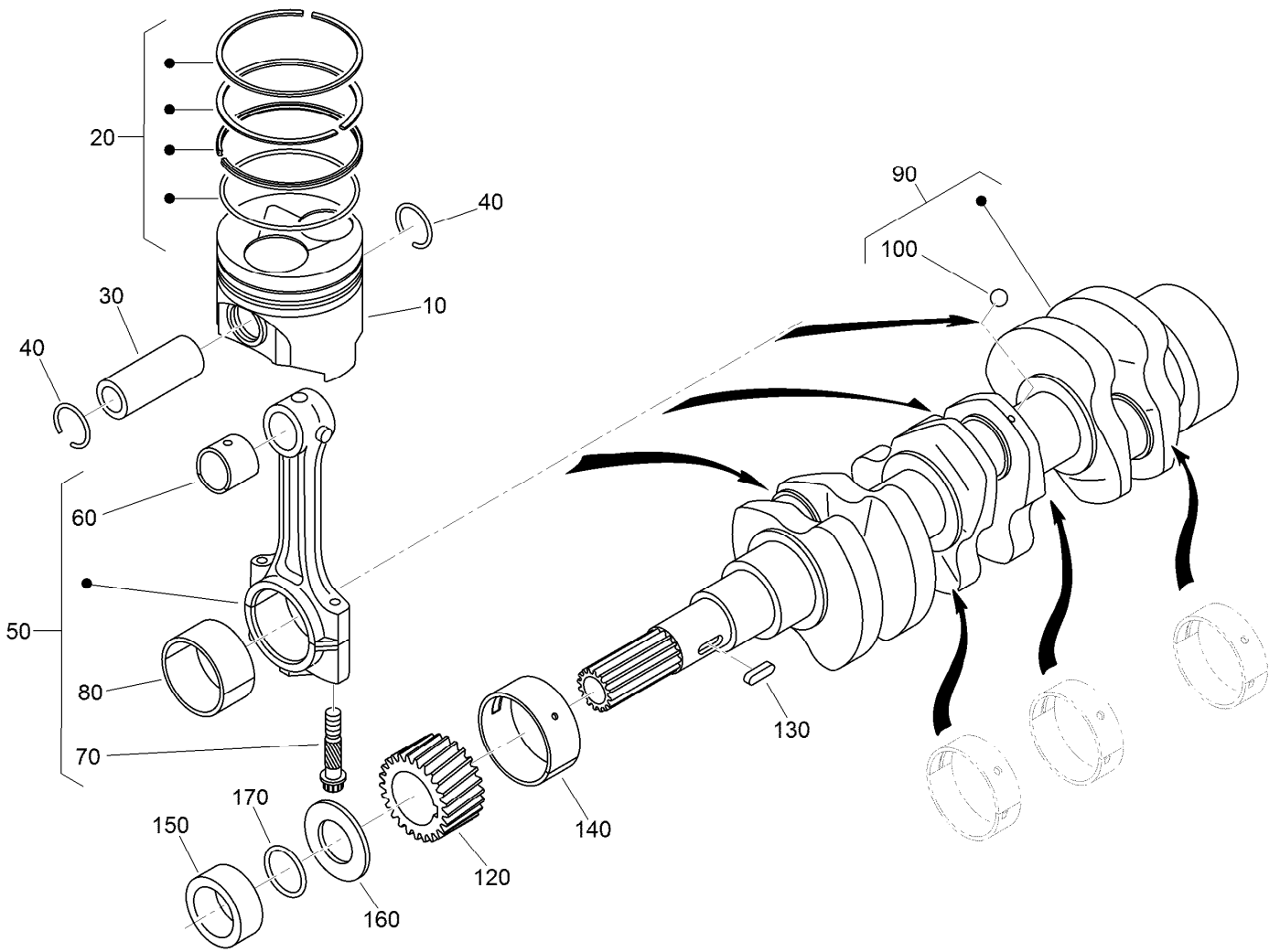
Main Bearing Case Assembly

<i>Ref.</i>	<i>Part Number</i>	<i>Qty.</i>	<i>Description</i>	<i>Ref.</i>	<i>Part Number</i>	<i>Qty.</i>	<i>Description</i>
10	125-9064	1	Wheel Bearing Case ASM	105	110-3741	1	Crankshaft Metal ASM (STD)
20	125-9065	2	Bolt-Flange	105	125-9083	1	Crankshaft Metal ASM (-0.20Mm)
23	125-9082	2	Pin-Straight	105	110-3743	1	Crankshaft Metal ASM (-0.40Mm)
25	125-9066	1	Crankshaft Metal ASM (STD)	110	130-1418	1	Main Bearing Case ASM
25	125-9067	1	Crankshaft Metal ASM (-0.20Mm)	120	110-3723	2	Bolt-Case, Bearing
25	125-9068	1	Crankshaft Metal ASM (-0.40Mm)	125	110-3741	1	Crankshaft Metal ASM (STD)
30	112-2812	1	Gasket-Case, Bearing	125	125-9083	1	Crankshaft Metal ASM (-0.20Mm)
40	112-8334	1	Cover-Case, Bearing	125	110-3743	1	Crankshaft Metal ASM (-0.40Mm)
50	110-3724	1	Seal-Oil	130	100-1874	2	Bolt-Case, Bearing
60	100-1876	1	Gasket-Cover, Case				
80	100-1750	16	Bolt				
90	130-1417	1	Main Bearing Case ASM				
100	110-3723	2	Bolt-Case, Bearing				



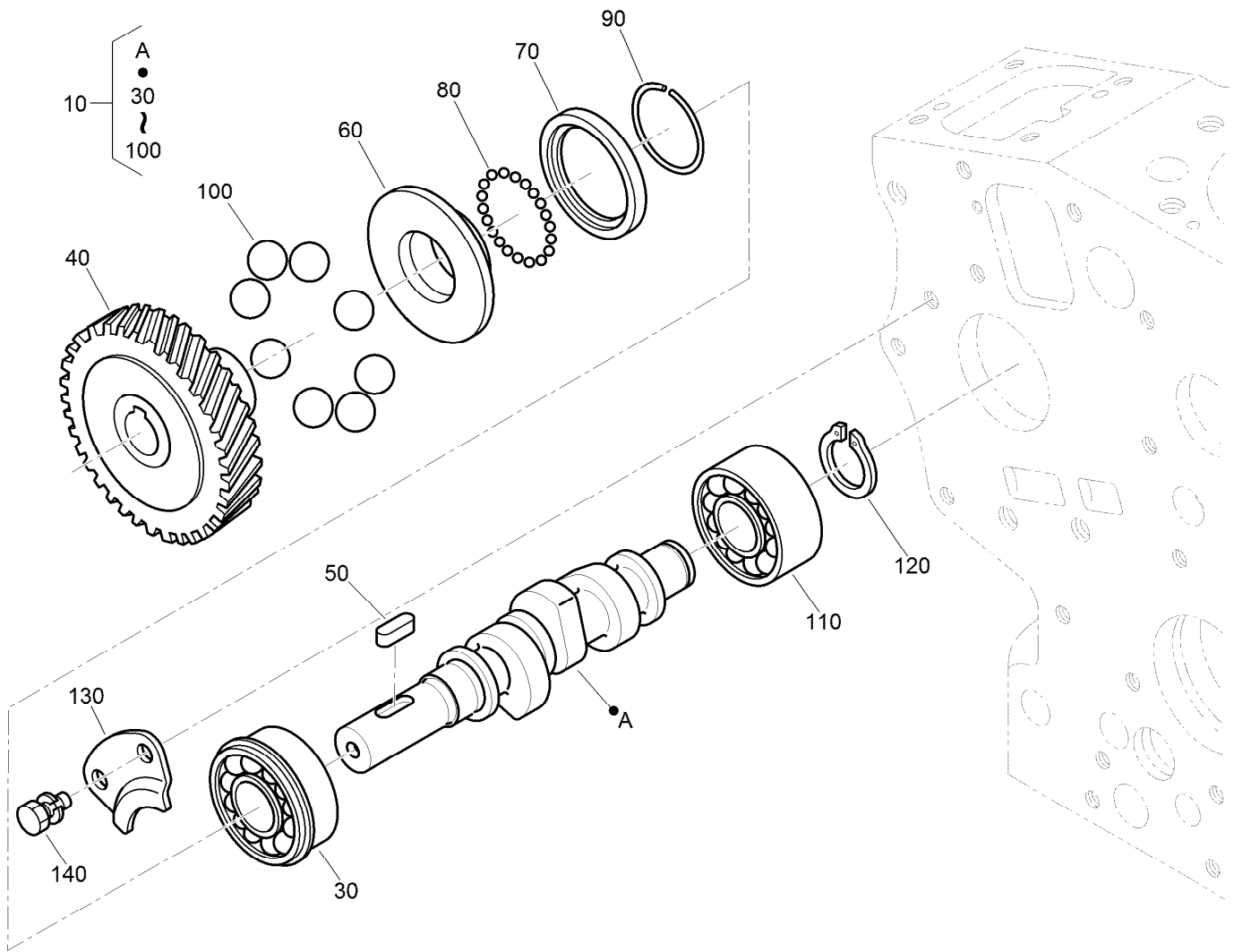
Camshaft and Idle Gear Shaft Assembly

Ref.	Part Number	Qty.	Description
10	110-3727	6	Tappet
20	100-1989	6	Rod-Push
30	130-1492	1	Camshaft ASM
50	110-3729	1	Ball
60	130-1534	1	Gear-Cam
70	98-9378	1	Key-Feather
80	100-1887	1	Stopper-Camshaft
90	98-9350	2	Bolt
100	121-2421	1	Idle Gear ASM
110	121-2422	1	Bushing
120	100-1970	1	Collar-Gear, Idle
130	100-1969	1	Ring-Snap
140	100-1967	1	Shaft-Gear, Idle
150	100-1774	3	Bolt-Flange
160	100-2240	1	Idle Gear ASM



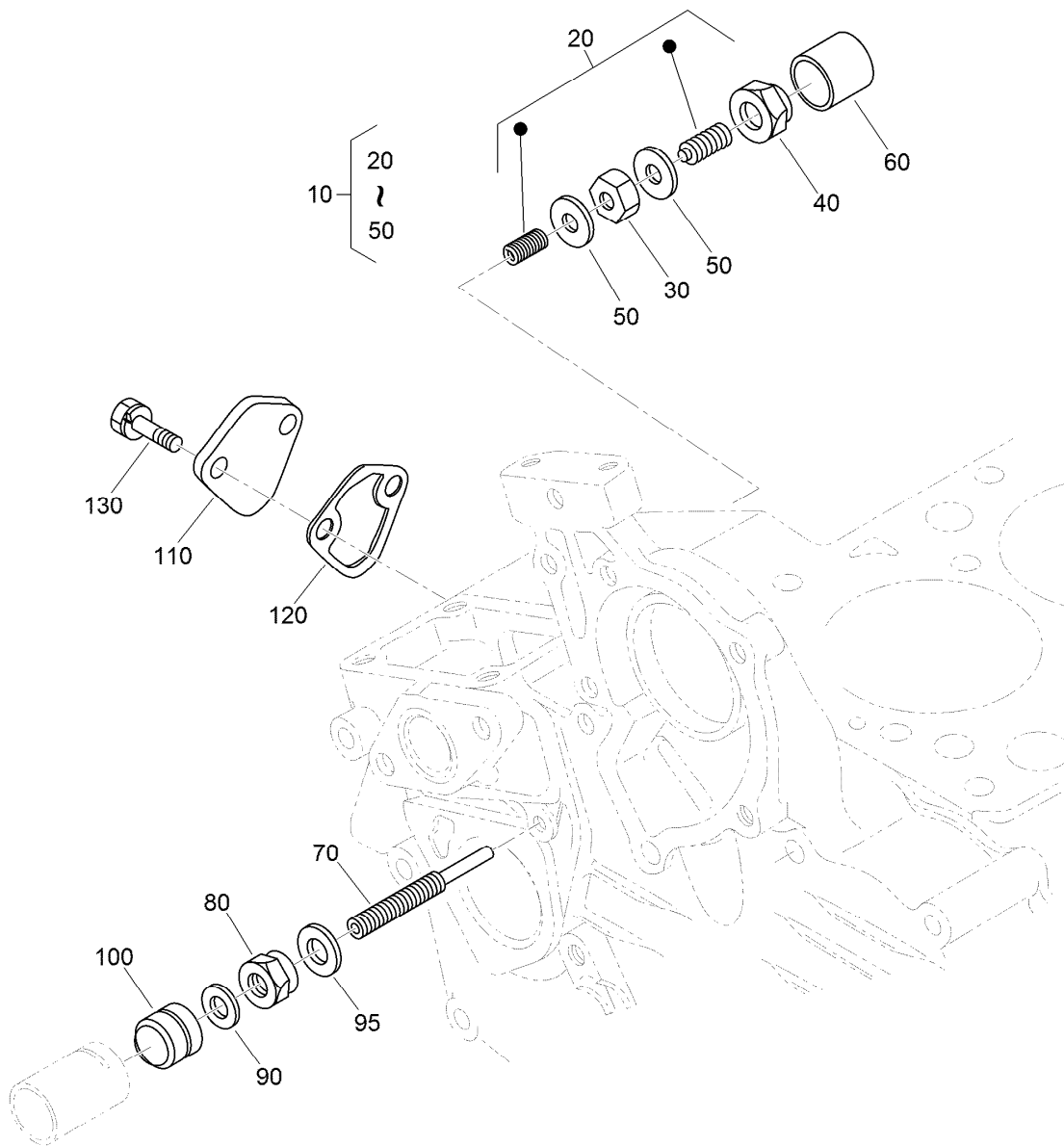
Piston and Crankshaft Assembly

<i>Ref.</i>	<i>Part Number</i>	<i>Qty.</i>	<i>Description</i>	<i>Ref.</i>	<i>Part Number</i>	<i>Qty.</i>	<i>Description</i>
10	130-1537	3	Piston	80	121-2420	3	Metal-Crankpin (-.40Mm)
10	130-1540	3	Piston	90	117-0308	1	Crankshaft
20	130-1535	3	Piston Ring ASM	100	100-1791	3	Ball
20	130-1536	3	Piston Ring ASM	120	100-1891	1	Gear-Crankshaft
30	110-3734	3	Pin-Piston	130	100-1752	1	Key-Feather
40	100-1835	6	Circlip-Internal	140	110-3738	1	Metal-Crankshaft (STD)
50	125-9070	3	Connecting Rod ASM	140	121-2424	1	Metal-Crankshaft (-.20Mm)
60	110-3736	3	Bushing-Pin, Piston	140	121-2425	1	Metal-Crankshaft (-.40Mm)
70	100-1999	6	Bolt-Rod, Connecting	150	100-1890	1	Collar-Crankshaft
80	100-2000	3	Metal-Crankpin (STD)	160	100-1974	1	Slinger-Oil
80	121-3849	3	Metal-Crankpin (-.20Mm)	170	100-2209	1	O-Ring



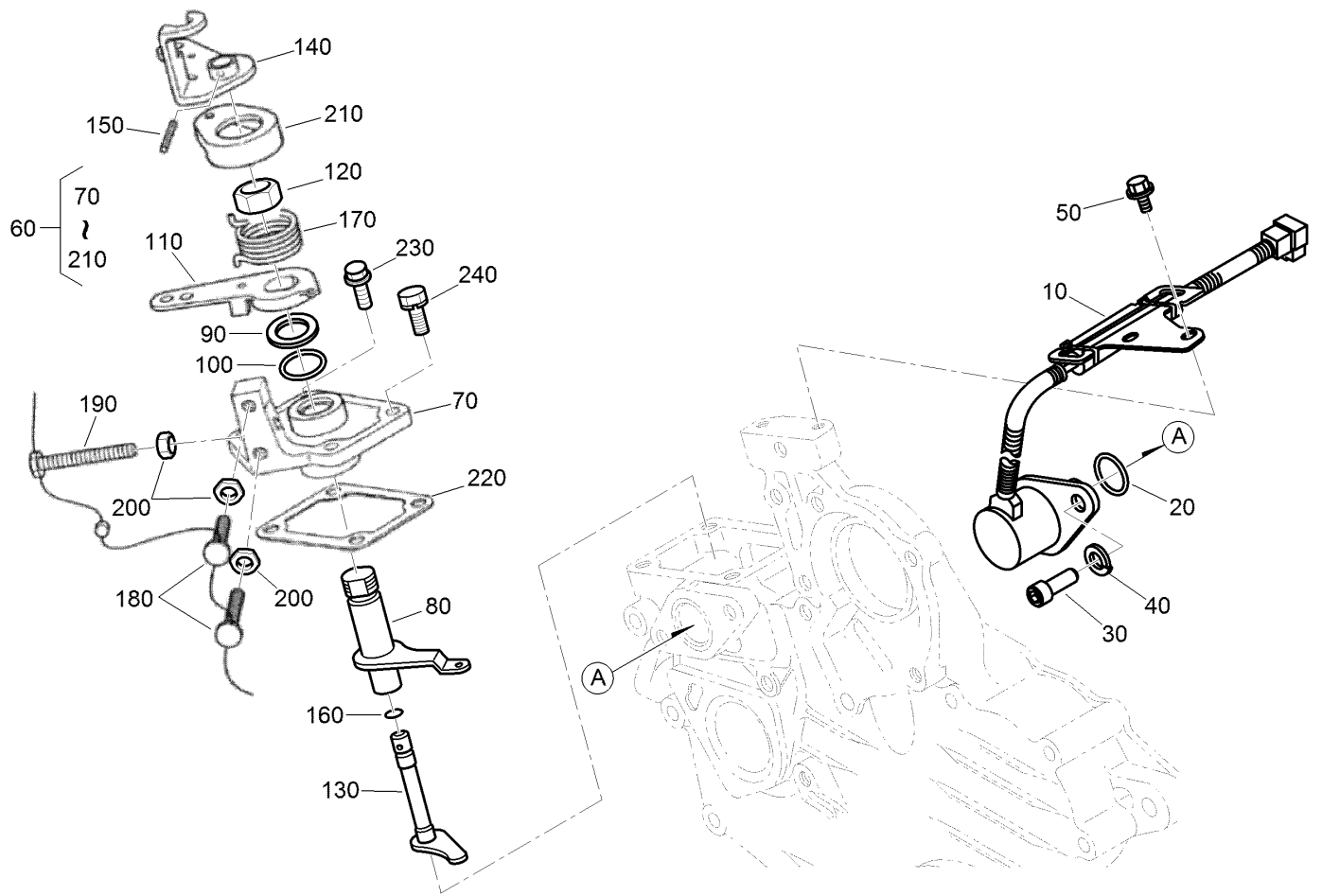
Fuel Camshaft Assembly

<i>Ref.</i>	<i>Part Number</i>	<i>Qty.</i>	<i>Description</i>
10	125-9075	1	Fuel Camshaft ASM
30	100-1795	1	Bearing-Ball
40	100-2006	1	Gear-Pump, Injection
50	100-1752	1	Key-Feather
60	112-8336	1	Sleeve-Governor
70	100-1904	1	Case-Ball, Governor
80	100-1790	32	Ball
90	100-1843	1	Circ-Clip
100	100-1793	8	Ball
110	110-3757	1	Bearing-Ball
120	100-1784	1	Circ-Clip, External
130	100-1888	1	Stopper-Fuel, Camshaft
140	98-9350	2	Bolt



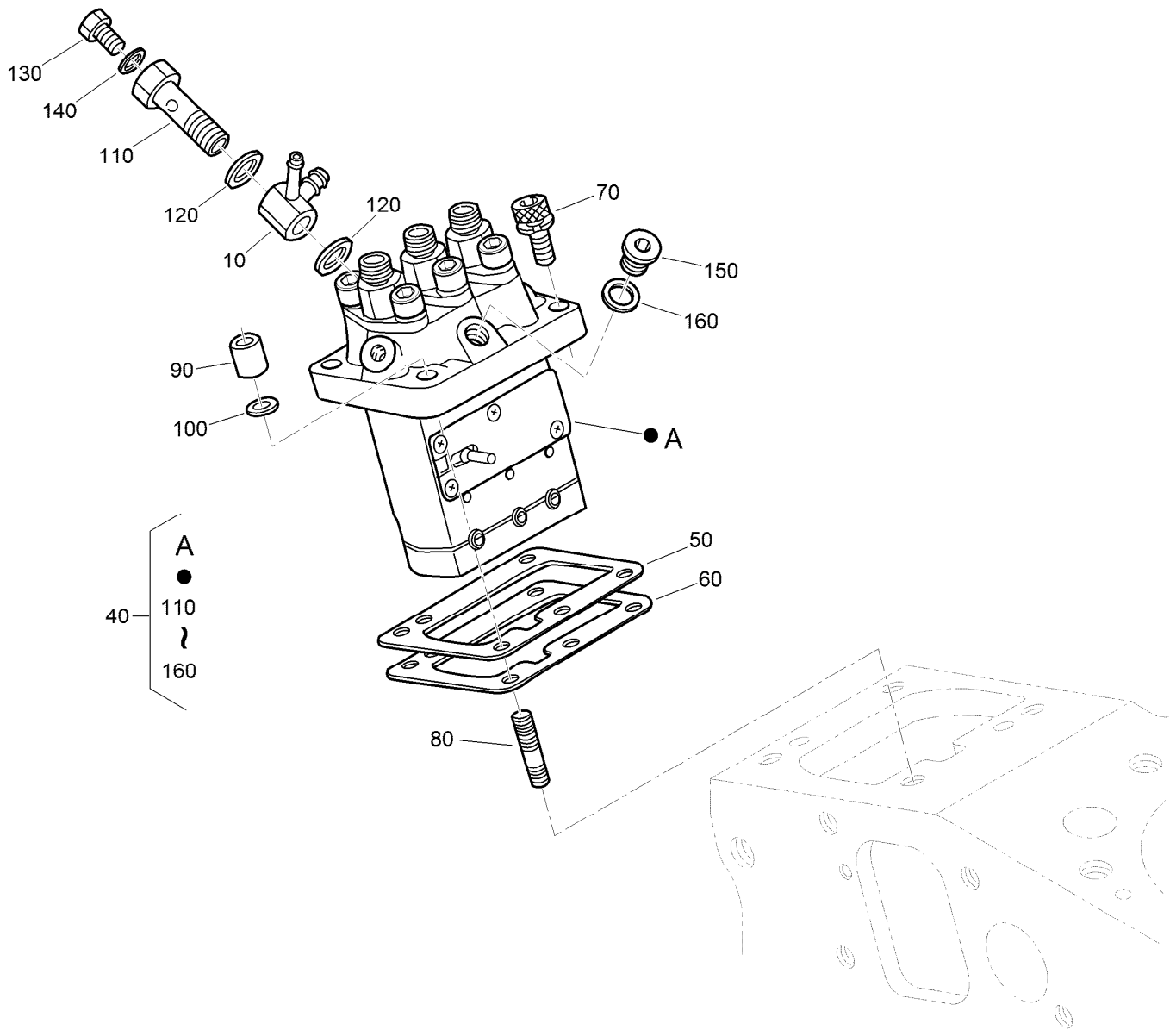
Idle Apparatus and Fuel Pump Cover Assembly

Ref.	Part Number	Qty.	Description
10	100-1898	1	Idle Apparatus ASM
20	100-1899	1	Adjusting Bolt ASM
30	100-1846	1	Nut
40	100-1901	1	Nut-Cap
50	98-7428	2	Gasket
60	100-1902	1	Cap
70	110-3758	1	Bolt-Adjusting
80	100-2175	1	Nut-Lock
90	98-7654	1	Gasket
95	107-9081	1	Gasket
100	99-8387	1	Nut-Cap
110	99-3514	1	Cover
120	98-9636	1	Gasket-Pump, Fuel
130	98-7692	2	Bolt



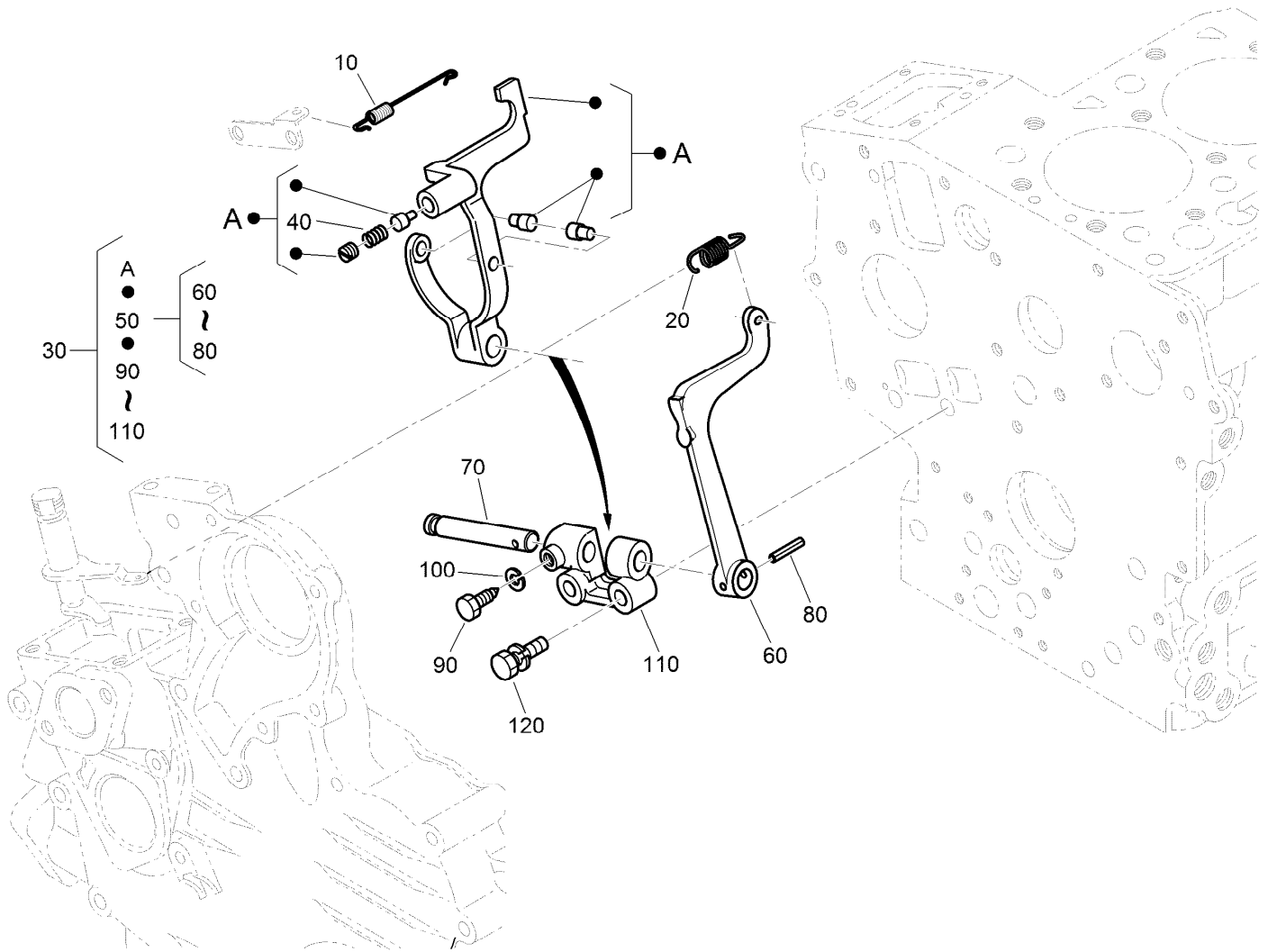
Stop Solenoid and Speed Control Plate Assembly

<i>Ref.</i>	<i>Part Number</i>	<i>Qty.</i>	<i>Description</i>	<i>Ref.</i>	<i>Part Number</i>	<i>Qty.</i>	<i>Description</i>
10	117-2719	1	Solenoid Stop ASM	130	110-3775	1	Shaft-Lever
20	110-3762	1	O-Ring	140	110-3776	1	Lever-Stop, Engine
30	110-3763	2	Bolt-HSH	150	110-3777	1	Pin-Spring
40	98-7699	2	Washer-Spring	160	100-2207	1	O-Ring
50	100-1774	2	Bolt-Flange	170	110-3778	1	Spring-Return
60	110-3769	1	Speed Control Plate ASM	180	120-3133	2	Screw-Stopper
70	110-3770	1	Plate-Control, Speed	190	120-3134	1	Bolt
80	110-3771	1	Lever-Governor	200	98-7572	3	Nut
90	110-3772	1	Collar	210	110-3779	1	Cap
100	100-2208	1	O-Ring	220	100-1962	1	Gasket-Plate, Control
110	110-3773	1	Lever-Control, Speed	230	127-0403	2	Bolt-Flange
120	110-3774	1	Nut-Control, Speed	240	112-2507	2	Bolt



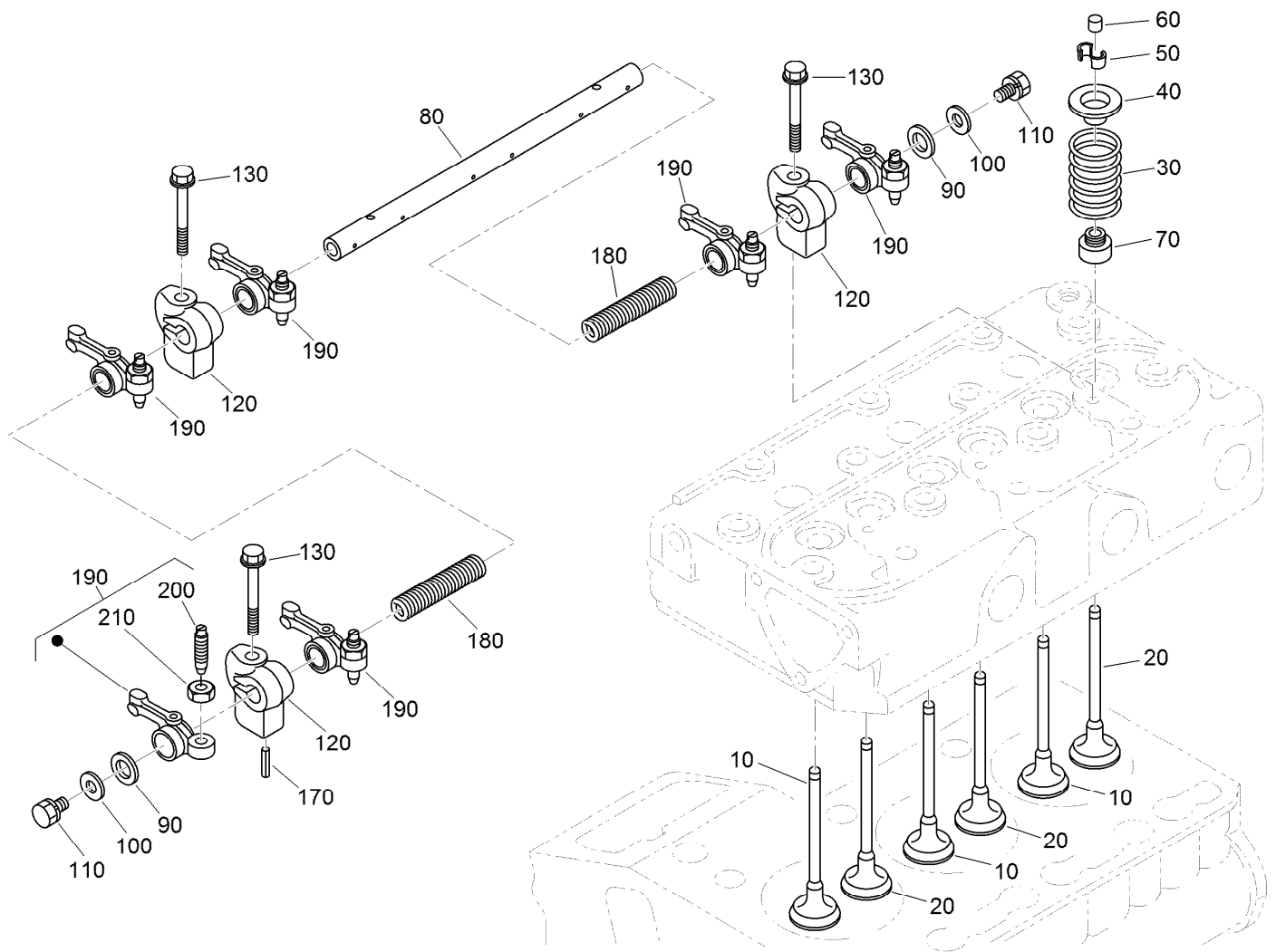
Injection Pump Assembly

<i>Ref.</i>	<i>Part Number</i>	<i>Qty.</i>	<i>Description</i>	<i>Ref.</i>	<i>Part Number</i>	<i>Qty.</i>	<i>Description</i>
10	110-3764	1	Joint	90	98-9440	2	Nut-Cap
40	110-3765	1	Injection Pump ASM	100	98-7699	2	Washer-Spring
50	115-3045	1	Shim-Injection (0.175Mm)	110	100-1896	1	Screw-Hollow
50	98-9456	1	Shim-Injection (0.20Mm)	120	98-9445	2	Gasket
50	98-9457	1	Shim-Injection (0.25Mm)	130	98-9430	1	Screw
60	98-9458	1	Shim-Injection (0.30Mm)	140	98-9446	1	Gasket
60	115-3046	1	Shim-Injection (0.35Mm)	150	98-9466	1	Plug
70	117-7564	2	Bolt-Hex Soc HD	160	98-9451	1	Gasket
80	98-9438	2	Stud				



Governor Assembly

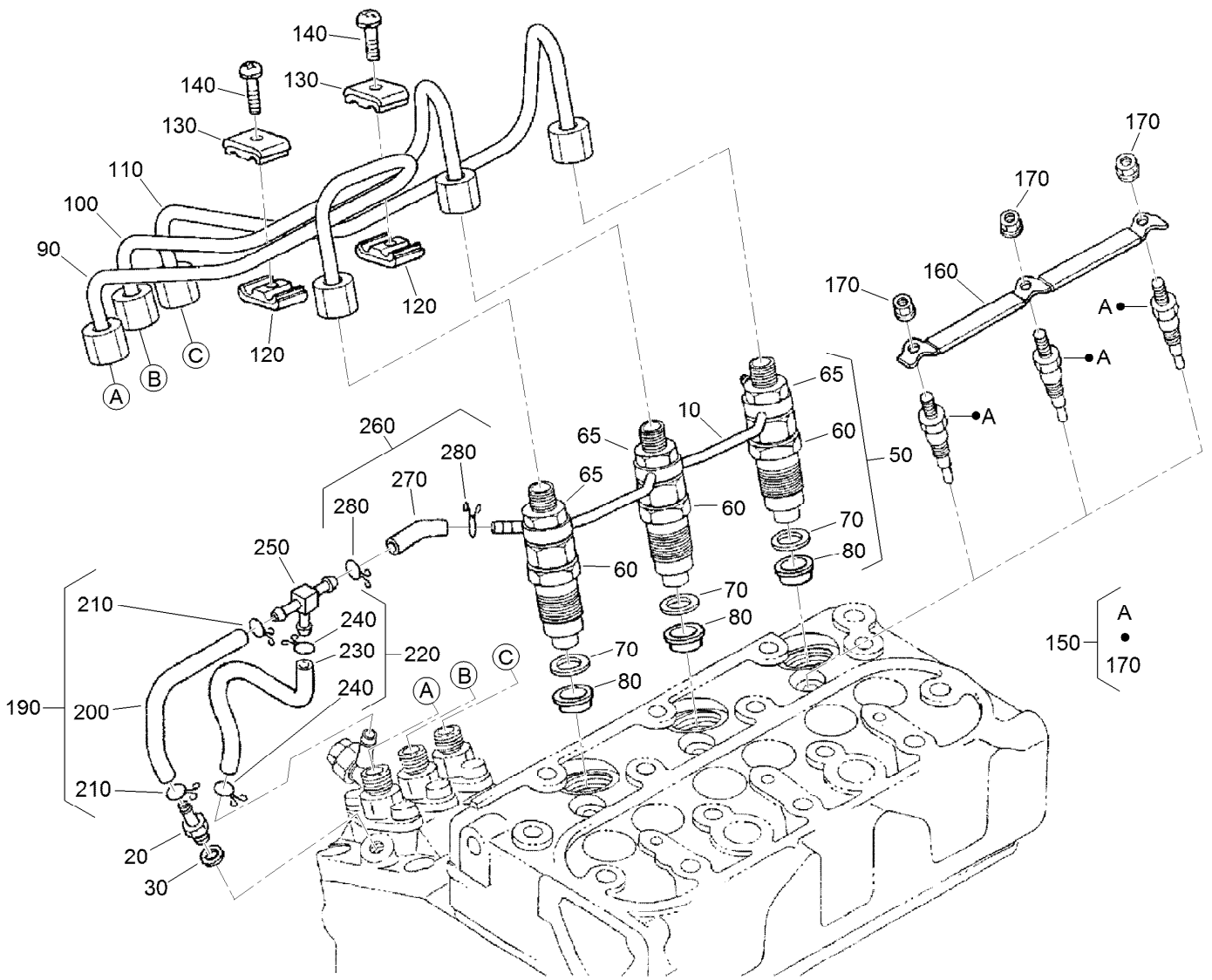
Ref.	Part Number	Qty.	Description
10	110-3766	1	Spring-Start
20	110-3767	1	Spring-Governor
30	130-1368	1	Fork Lever ASM
40	117-0313	1	Spring
50	100-1905	1	Fork Lever ASM
60	100-1907	1	Lever-Fork
70	100-1908	1	Shaft-Lever, Fork
80	100-1751	1	Pin-Spring
90	100-1845	1	Bolt
100	100-2204	1	Washer-Spring
110	100-1909	1	Holder-Lever, Fork
120	100-1763	2	Bolt



Valve and Rocker Arm Assembly

Ref.	Part Number	Qty.	Description
10	112-2514	3	Valve-Inlet
20	112-2515	3	Valve-Exhaust
30	100-1823	6	Spring-Valve
40	100-1825	6	Retainer-Spring, Valve
50	120-3136	6	Collet-Spring, Valve
60	100-2155	6	Cap-Valve
70	100-1797	6	Seal-Stem, Valve
80	112-8341	1	Shaft-Arm, Rocker
90	100-2044	2	Washer

Ref.	Part Number	Qty.	Description
100	110-3832	2	Washer-Plain
110	100-1762	2	Bolt
120	110-3833	3	Bracket-Arm, Rocker
130	110-3834	3	Bolt-Flange
170	98-7602	1	Pin-Spring
180	112-8342	2	Spring
190	100-1884	6	Rocker Arm ASM
200	100-1885	6	Screw-Adjusting
210	100-1827	6	Nut

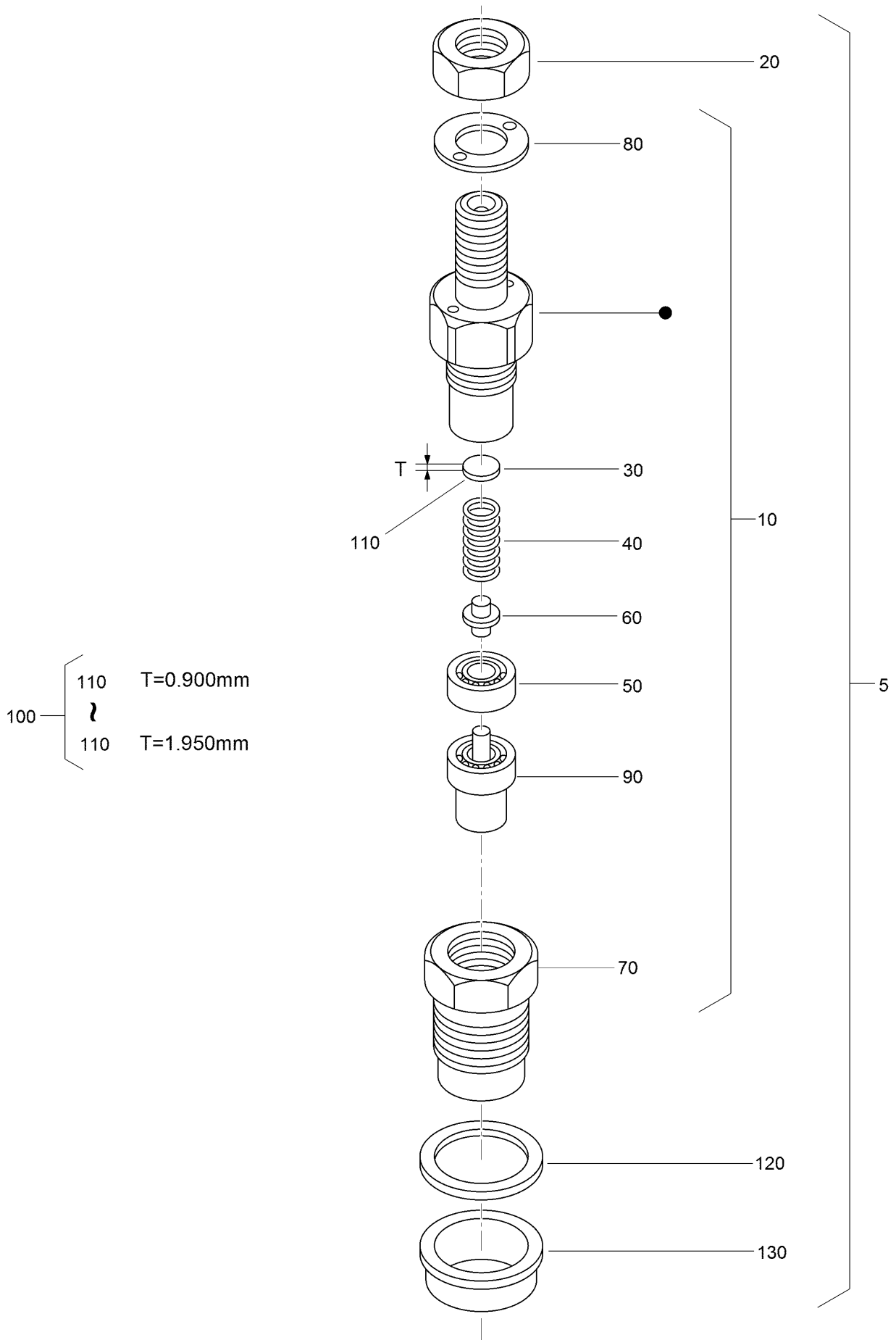


Nozzle Holder and Glow Plug Assembly

Ref.	Part Number	Qty.	Description
10	110-3780	1	Over Flow Pipe ASM
20	98-9431	1	Screw-Bleeder, Air
30	98-7654	1	Gasket
50	130-1305	3	Nozzle Holder Kit
60	130-1303	3	Nozzle Holder ASM
65	121-2411	3	Nut
70	98-7676	3	Gasket
80	98-7677	3	Seal-Heat
90	130-1522	1	Pipe-Injection
100	130-1523	1	Pipe-Injection
110	130-1541	1	Pipe-Injection
120	98-7682	2	Clamp-Pipe
130	98-7683	2	Clamp-Pipe
140	98-7684	2	Screw (W/Washer)

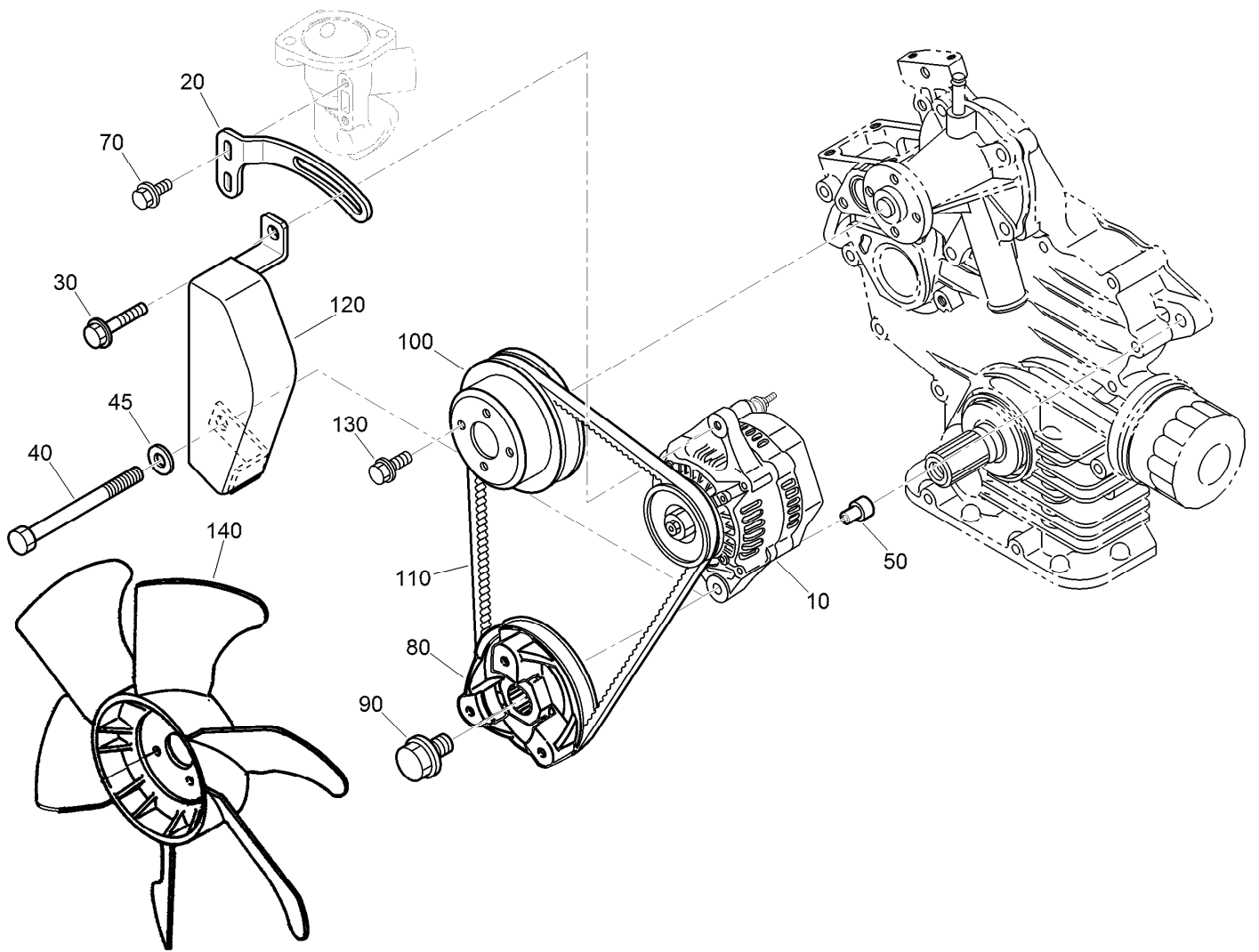
Ref.	Part Number	Qty.	Description
150	130-1411	3	Plug-Glow
160	110-3784	1	Cord-Plug, Glow
170	99-8377	3	Nut-Flange
190	110-3785	1	Fuel Tube ASM
200	110-3786	1	Tube-Fuel
210	98-7671	2	Clip-Pipe
220	110-3787	1	Fuel Tube ASM
230	110-3788	1	Tube-Fuel
240	98-7671	2	Clip-Pipe
250	112-8338	1	Pipe-Joint, T
260	110-3790	1	Fuel Tube ASM
270	110-3791	1	Tube-Fuel
280	98-7671	2	Clip-Pipe

Nozzle Holder Assembly



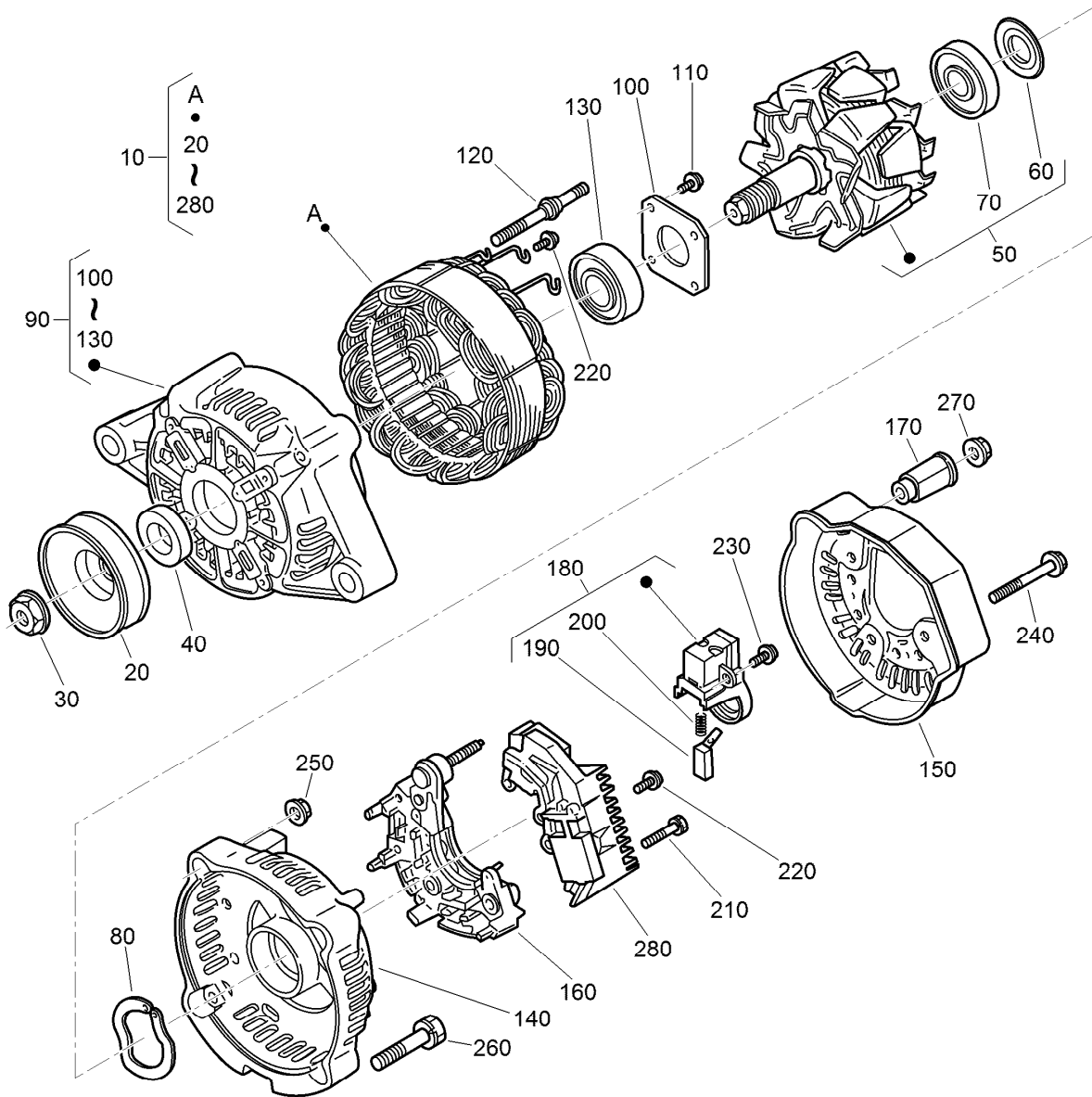
Nozzle Holder Assembly (continued)

<i>Ref.</i>	<i>Part Number</i>	<i>Qty.</i>	<i>Description</i>	<i>Ref.</i>	<i>Part Number</i>	<i>Qty.</i>	<i>Description</i>
5	130-1305	3	Nozzle Holder Kit	110	98-7860	3	Washer-Adjusting (1.400Mm)
10	130-1303	3	Nozzle Holder ASM	110	98-7861	3	Washer-Adjusting (1.425Mm)
20	121-2411	3	Nut	110	98-7862	3	Washer-Adjusting (1.450Mm)
30	99-8302	3	Washer-Adjusting	110	98-7863	3	Washer-Adjusting (1.475Mm)
40	99-8303	3	Spring-Nozzle	110	98-7864	3	Washer-Adjusting (1.500Mm)
50	99-8304	3	Spacer-Distance	110	98-7865	3	Washer-Adjusting (1.525Mm)
60	99-8305	3	Rod-Push	110	98-7866	3	Washer-Adjusting (1.550Mm)
70	130-1304	3	Nut-Nozzle	110	98-7867	3	Washer-Adjusting (1.575Mm)
80	99-8307	3	Washer-Plain	110	98-7868	3	Washer-Adjusting (1.600Mm)
90	130-1497	3	Nozzle-Piece	110	98-7869	3	Washer-Adjusting (1.625Mm)
100	98-9448	3	Adjusting Washer ASM	110	98-7870	3	Washer-Adjusting (1.650Mm)
110	98-7642	3	Washer-Adjusting (0.900Mm)	110	98-7871	3	Washer-Adjusting (1.675Mm)
110	98-7841	3	Washer-Adjusting (0.925Mm)	110	98-7872	3	Washer-Adjusting (1.700Mm)
110	98-7842	3	Washer-Adjusting (0.950Mm)	110	98-7873	3	Washer-Adjusting (1.725Mm)
110	98-7843	3	Washer-Adjusting (0.975Mm)	110	98-7874	3	Washer-Adjusting (1.750Mm)
110	98-7844	3	Washer-Adjusting (1.000Mm)	110	98-7875	3	Washer-Adjusting (1.775Mm)
110	98-7845	3	Washer-Adjusting (1.025Mm)	110	98-7876	3	Washer-Adjusting (1.800Mm)
110	98-7846	3	Washer-Adjusting (1.050Mm)	110	98-7877	3	Washer-Adjusting (1.825Mm)
110	98-7847	3	Washer-Adjusting (1.075Mm)	110	98-7878	3	Washer-Adjusting (1.850Mm)
110	98-7848	3	Washer-Adjusting (1.100Mm)	110	98-7879	3	Washer-Adjusting (1.875Mm)
110	98-7849	3	Washer-Adjusting (1.125Mm)	110	98-7880	3	Washer-Adjusting (1.900Mm)
110	98-7850	3	Washer-Adjusting (1.150Mm)	110	98-7881	3	Washer-Adjusting (1.925Mm)
110	98-7851	3	Washer-Adjusting (1.175Mm)	110	98-7882	3	Washer-Adjusting (1.950Mm)
110	98-7852	3	Washer-Adjusting (1.200Mm)	120	98-7676	3	Gasket
110	98-7853	3	Washer-Adjusting (1.225Mm)	130	98-7677	3	Seal-Heat
110	98-7854	3	Washer-Adjusting (1.250Mm)				
110	98-7855	3	Washer-Adjusting (1.275Mm)				
110	98-7856	3	Washer-Adjusting (1.300Mm)				
110	98-7857	3	Washer-Adjusting (1.325Mm)				
110	98-7858	3	Washer-Adjusting (1.350Mm)				
110	98-7859	3	Washer-Adjusting (1.375Mm)				



Alternator, Pulley and Fan Assembly

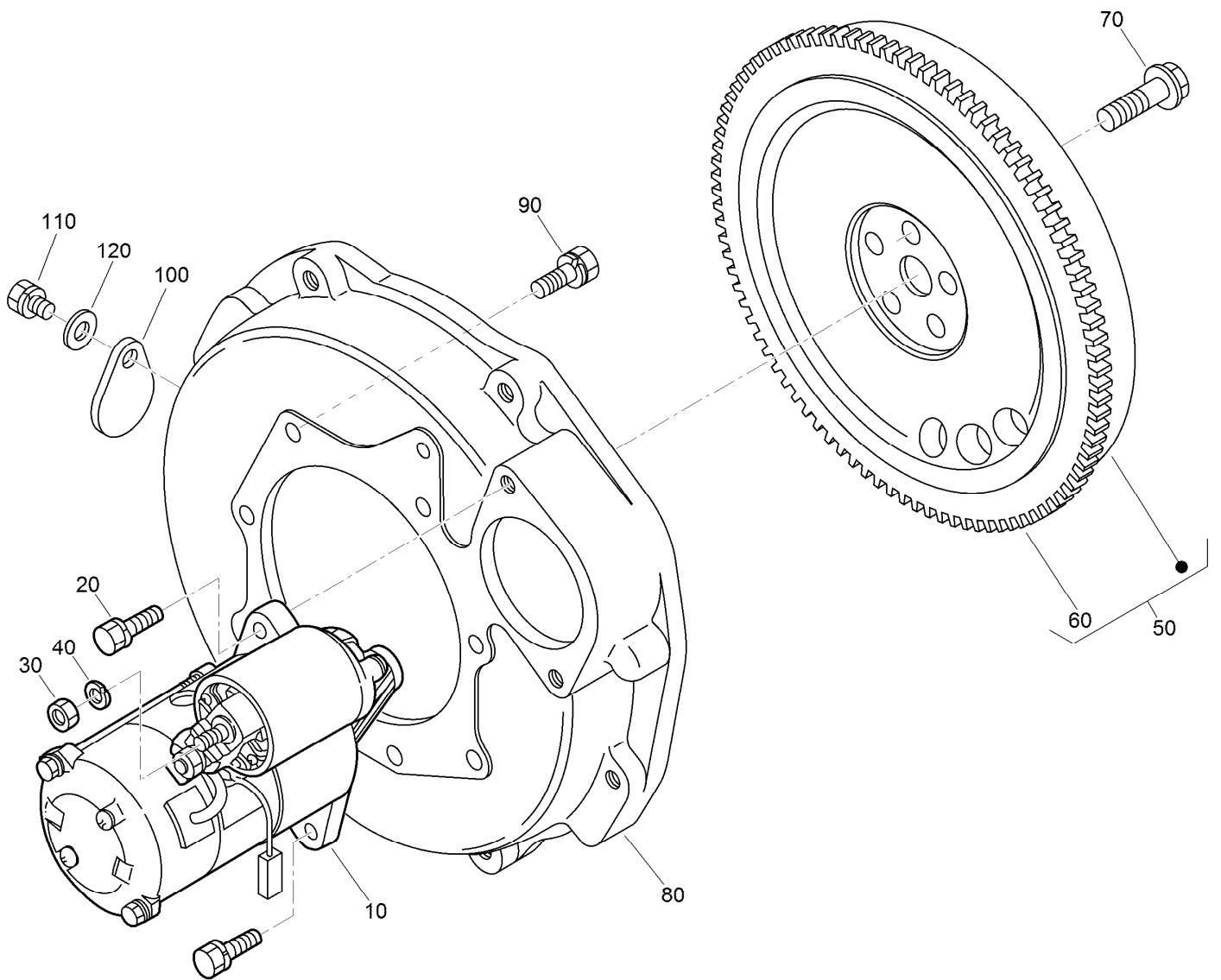
Ref.	Part Number	Qty.	Description
10	98-9474	1	Alternator ASM
20	110-3792	1	Stay-Alternator
30	121-3800	1	Bolt-Sems
40	98-7556	1	Bolt
45	120-5832	1	Washer-Plain
50	110-3794	1	Collar
70	98-7692	2	Bolt
80	130-1487	1	Pulley-Drive, Fan
90	100-1978	1	Bolt
100	100-1921	1	Pulley-Fan
110	112-2511	1	Belt
120	110-3797	1	Cover
130	99-8363	4	Bolt-Flange
140	112-2513	1	Fan



Alternator Components Assembly

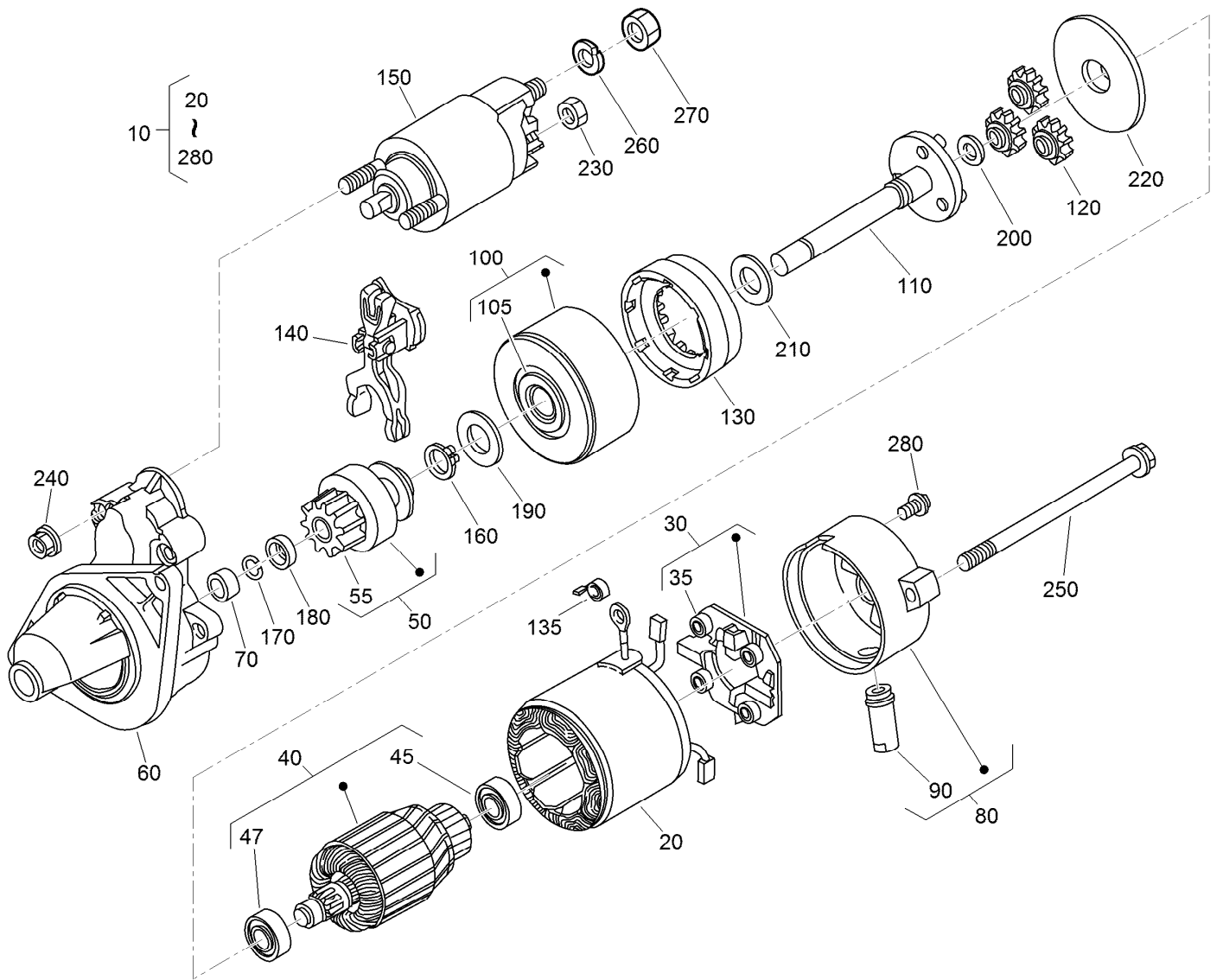
Ref.	Part Number	Qty.	Description
10	98-9474	1	Alternator ASM
20	98-9453	1	Pulley-Dynamo
30	98-7708	1	Nut
40	98-7709	1	Collar
50	107-0136	1	Rotor ASM
60	98-7711	1	Cover-Bearing
70	107-0138	1	Bearing-Ball
80	98-7713	1	Washer-Thrust
90	107-0139	1	Drive End Frame ASM
100	98-7715	1	Plate-Retainer
110	98-7716	4	Screw-Head, Round
120	98-7717	2	Bolt-Through
130	107-0137	1	Bearing-Ball
140	107-9087	1	Frame-End

Ref.	Part Number	Qty.	Description
150	107-0140	1	Cover-End
160	127-1612	1	Rectifier ASM
170	98-7722	1	Bushing-Insulation
180	107-0141	1	Brush Holder ASM
190	98-7724	2	Brush
200	98-7725	2	Spring-Brush
210	98-7726	2	Screw-Head, Round
220	98-7727	6	Screw-Head, Round
230	98-7728	1	Screw-Head, Round
240	98-7729	3	Bolt
250	98-7730	2	Nut
260	98-7731	2	Bolt
270	98-7732	1	Nut
280	110-3799	1	Regulator ASM



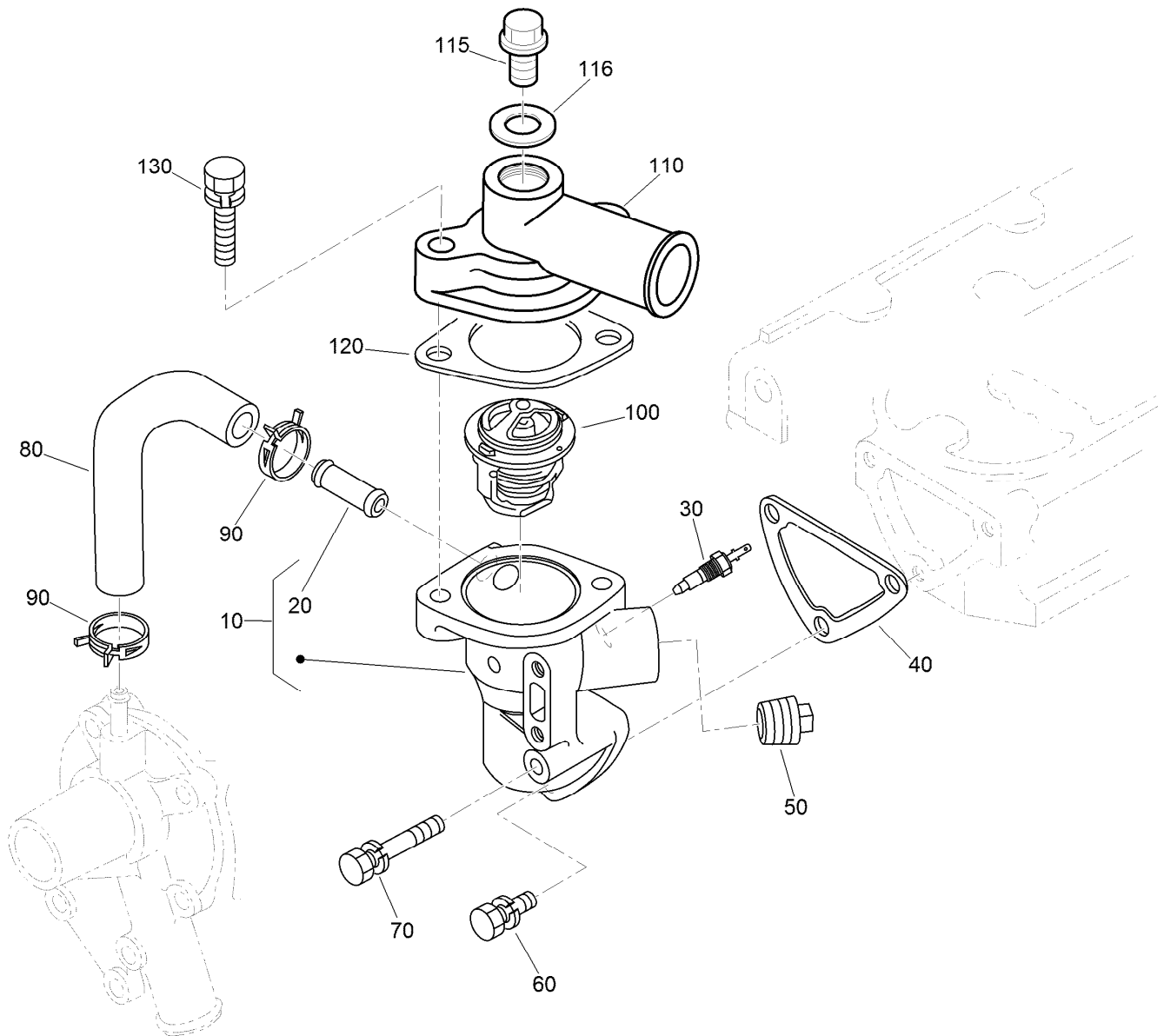
Starter and Flywheel Assembly

Ref.	Part Number	Qty.	Description
10	100-2179	1	Starter ASM
20	98-7438	2	Bolt
30	98-7534	1	Nut
40	105-2893	1	Washer-Spring
50	130-1496	1	Flywheel ASM
60	127-1604	1	Gear-Ring
70	100-1930	5	Bolt-Flywheel
80	117-1703	1	Housing-Flywheel
90	98-9359	8	Bolt
100	100-2177	1	Cover
110	100-9195	1	Bolt
120	120-5832	1	Washer-Plain



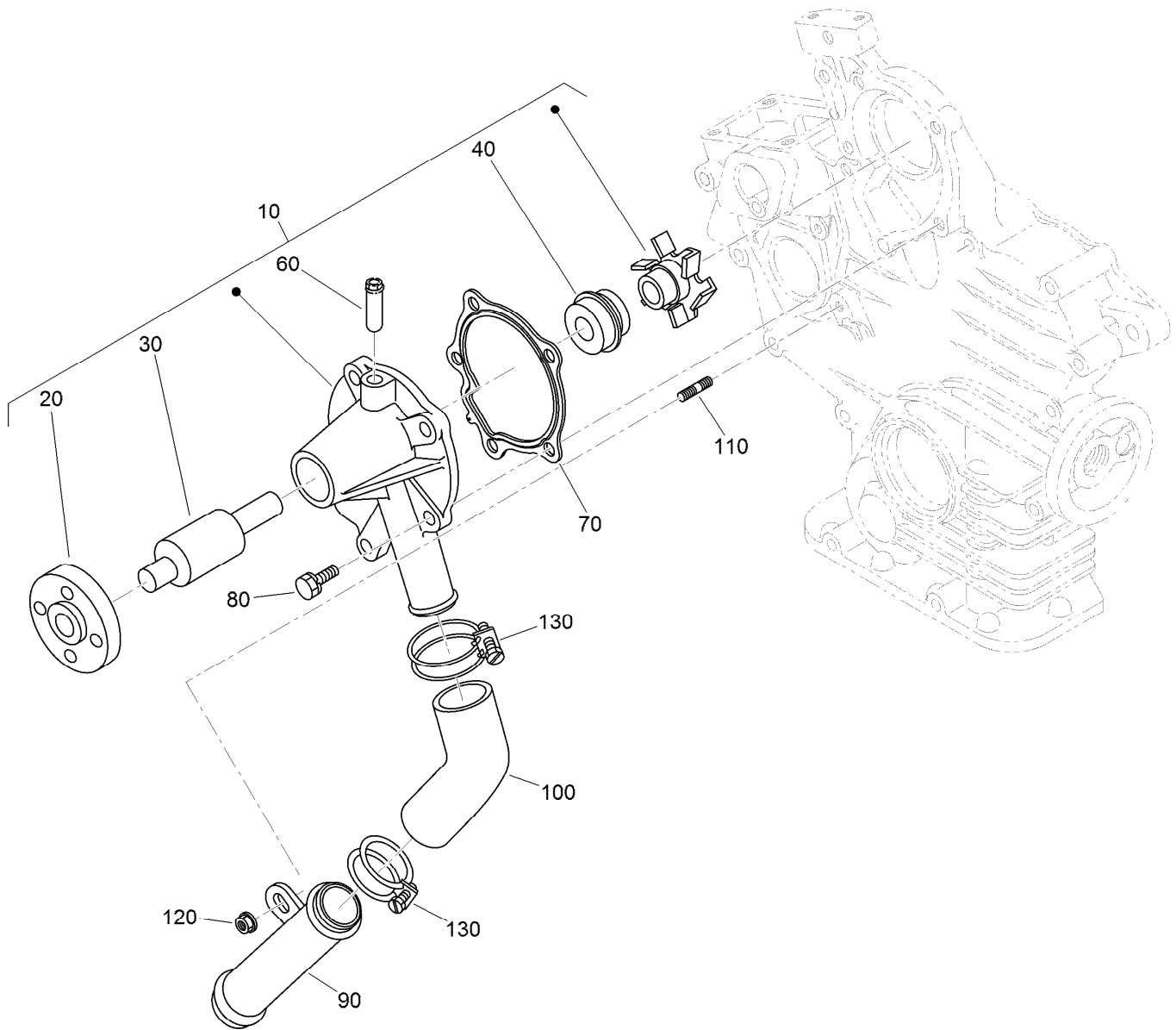
Starter Component Assembly

Ref.	Part Number	Qty.	Description	Ref.	Part Number	Qty.	Description
10	100-2179	1	Starter ASM	130	100-2221	1	Gear
20	100-2181	1	Starter Yoke ASM	135	98-7750	4	Spring-Brush
30	100-2222	1	Holder ASM	140	100-2218	1	Lever
35	127-0415	4	Spring-Brush	150	100-2211	1	Magnetic Switch ASM
40	100-2182	1	Armature ASM	160	100-2219	1	Ring-Snap
45	98-9412	1	Bearing-Ball	170	100-2212	1	Ring-Snap
47	98-9411	1	Bearing-Ball	180	100-2216	1	Collar
50	100-2185	1	Starter Clutch ASM	190	100-2224	1	Washer-Plain
55	112-2833	1	Gear-Pinion	200	100-2225	1	Washer-Plain
60	100-2180	1	Starter Housing ASM	210	100-2226	1	Washer-Plain
70	100-2183	1	Bearing	220	100-2227	1	Plate
80	100-2186	1	Frame ASM	230	99-8371	1	Nut-Hex
90	100-2213	1	Cover	240	100-1813	2	Nut
100	100-2223	1	Bearing ASM	250	100-2210	2	Bolt-Through
105	127-0414	1	Bearing	260	100-2215	1	Washer-Spring
110	100-2187	1	Starter Shaft ASM	270	100-2171	1	Nut-Hex
120	100-2220	3	Gear	280	100-2188	2	Screw



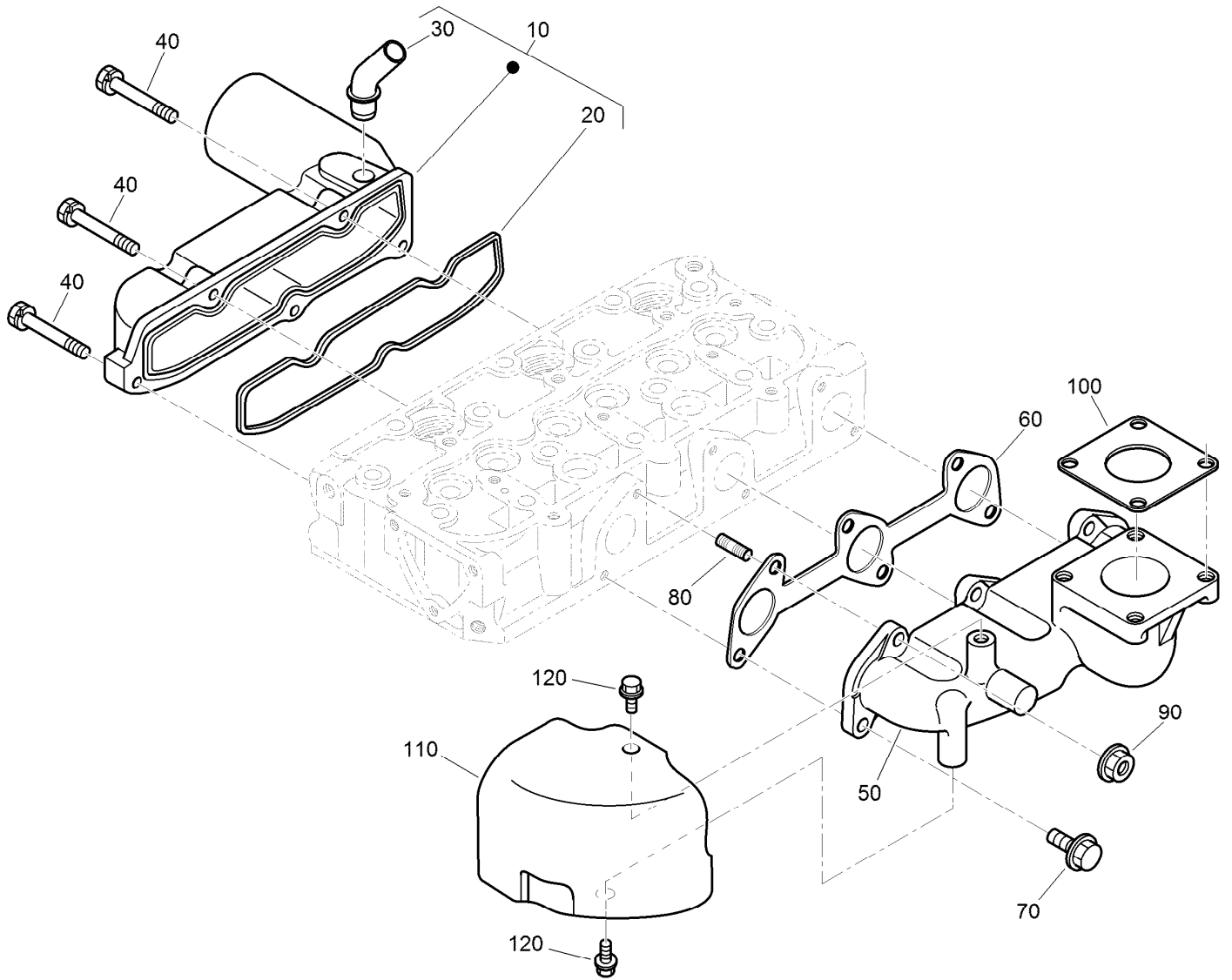
Water Flange and Thermostat Assembly

Ref.	Part Number	Qty.	Description
10	110-3819	1	Water Flange ASM
20	98-9580	1	Pipe-Return, Water
30	99-3582	1	Thermoswitch
40	110-3820	1	Gasket-Flange, Water
50	110-3821	1	Plug
60	98-7692	2	Bolt
70	125-9063	1	Bolt-Sems
80	110-3822	1	Pipe-Return, Water
90	125-9078	2	Clamp-Hose
100	98-7778	1	Thermostat ASM
110	112-2512	1	Cover-Thermostat
115	105-3747	1	Plug
116	99-3583	1	Gasket
120	105-3748	1	Gasket-Thermostat
130	98-7777	2	Bolt



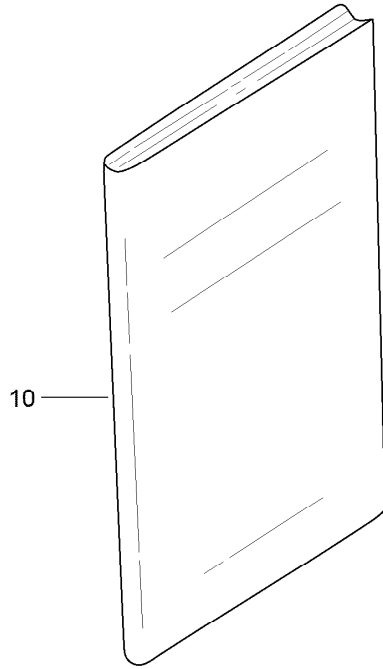
Water Pump and Water Pipe Assembly

<i>Ref.</i>	<i>Part Number</i>	<i>Qty.</i>	<i>Description</i>
10	110-3824	1	Water Pump ASM
20	125-9081	1	Flange-Pump, Water
30	100-1934	1	Bearing-Ball
40	99-3518	1	Water Pump Seal ASM
60	100-1932	1	Pipe-Return, Water
70	117-0330	1	Gasket-Pump, Water
80	100-1750	4	Bolt
90	100-1918	1	Pipe-Water
100	110-3827	1	Pipe-Water
110	100-1924	1	Stud
120	100-2203	1	Nut-Flange
130	110-3828	2	Band-Pipe



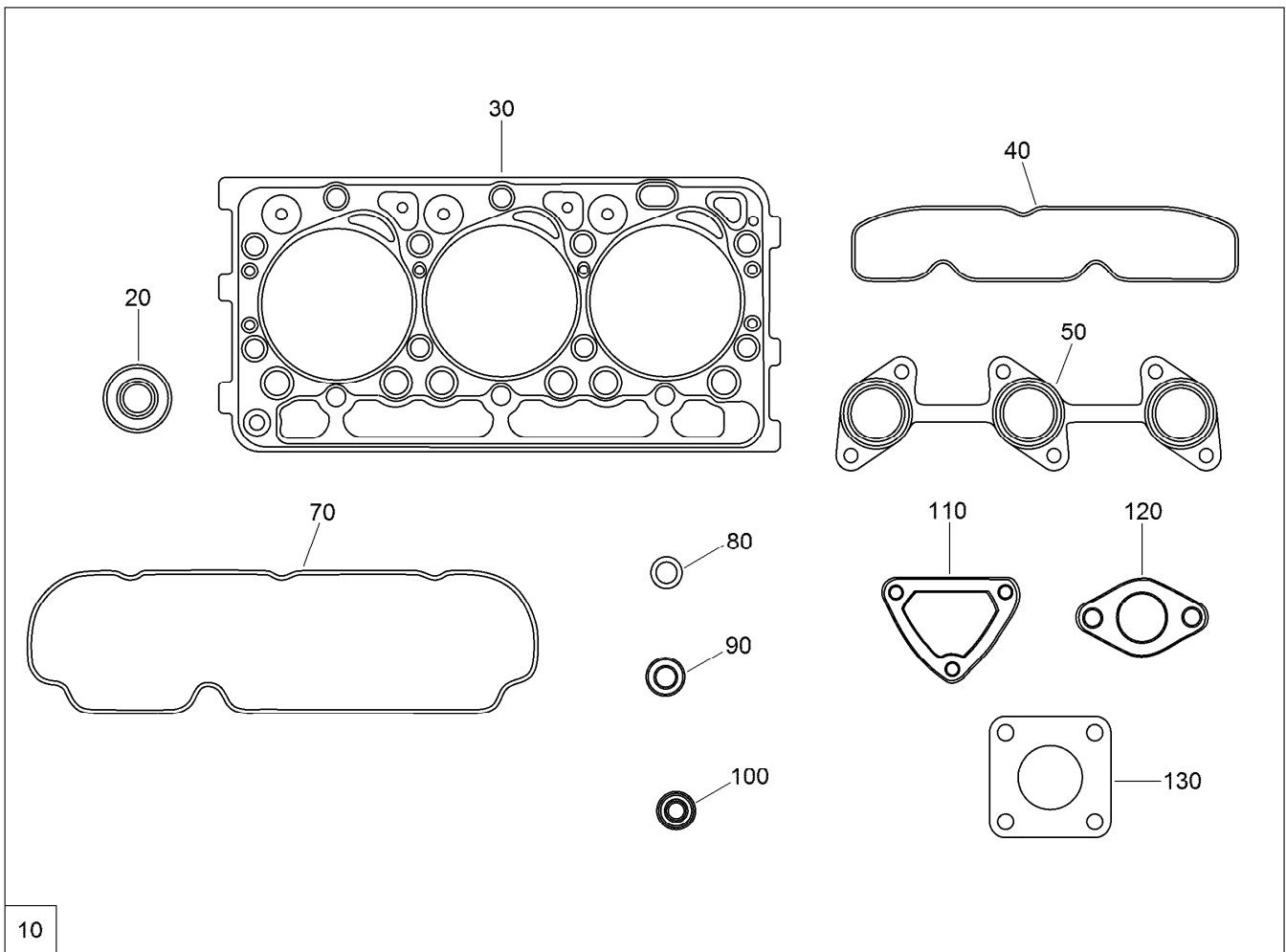
Inlet and Exhaust Manifold Assembly

<i>Ref.</i>	<i>Part Number</i>	<i>Qty.</i>	<i>Description</i>
10	120-3141	1	Intake Manifold ASM
20	110-3838	1	Gasket-Manifold, Intake
30	121-2417	1	Pipe-Breather
40	98-9352	5	Bolt
50	112-2516	1	Manifold-Exhaust
60	110-3840	1	Gasket-Manifold, Exhaust
70	130-1514	3	Bolt-Ubs
80	130-1156	3	Bolt-Stud
90	100-1778	3	Nut
100	99-8343	1	Gasket-Muffler
110	112-2517	1	Cover-Heat
120	130-1173	2	Screw-Flange HD



Miscellaneous Engine Parts

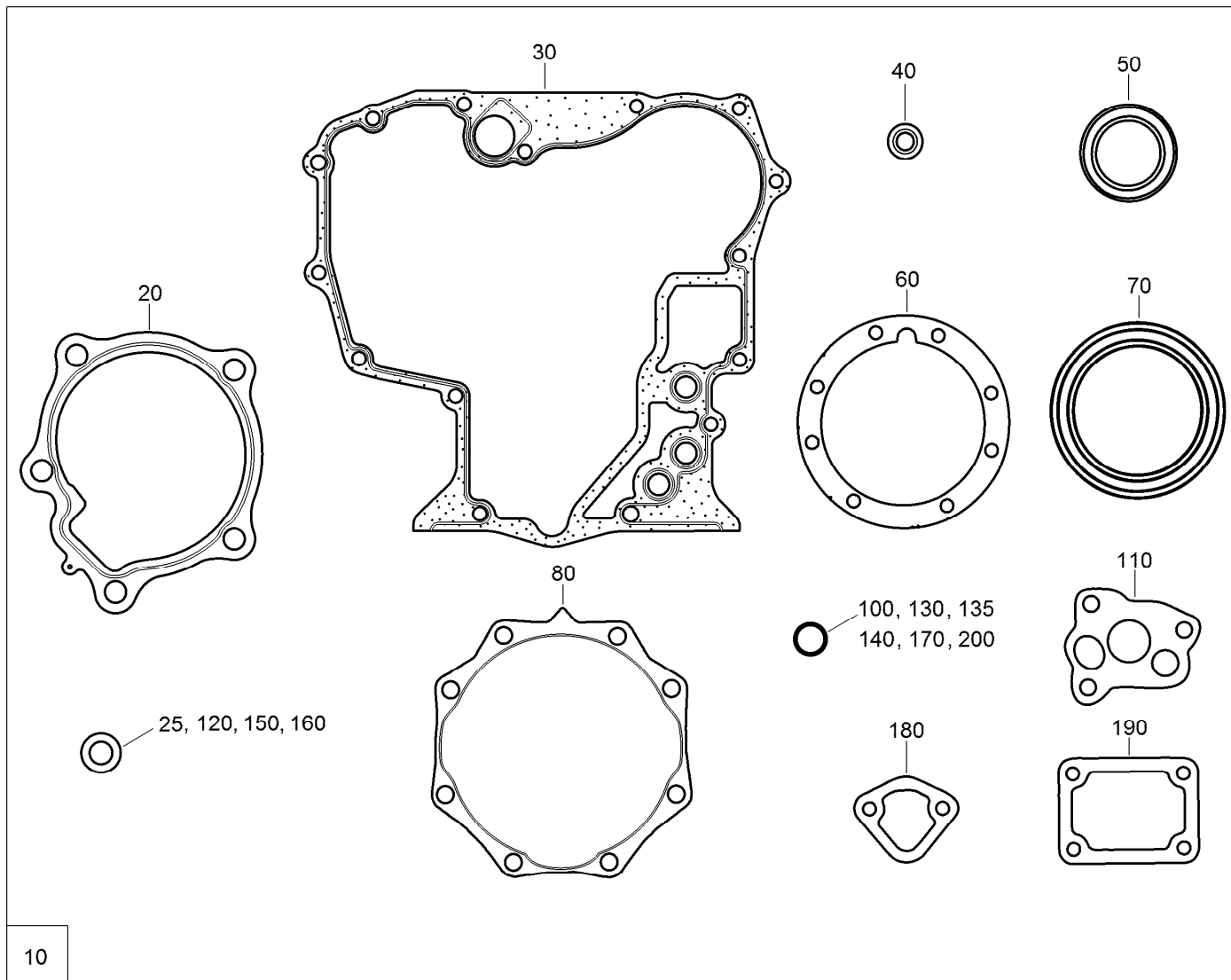
<i>Ref.</i>	<i>Part Number</i>	<i>Qty.</i>	<i>Description</i>
10	130-1513	1	Manual-Operator



10

Upper Engine Gasket Kit

Ref.	Part Number	Qty.	Description
10	130-1441	1	Upper Gasket Kit
20	100-1797	6	Seal-Stem, Valve
30	112-2520	1	Gasket-Head, Cylinder
40	110-3838	1	Gasket-Manifold, Intake
50	110-3840	1	Gasket-Manifold, Exhaust
70	112-2521	1	Gasket-Cover, Head
80	99-3446	1	O-Ring
90	98-7676	3	Gasket
100	98-7677	3	Seal-Heat
110	110-3820	1	Gasket-Flange, Water
120	105-3748	1	Gasket-Thermostat
130	99-8343	1	Gasket-Muffler



Lower Engine Gasket Kit

<i>Ref.</i>	<i>Part Number</i>	<i>Qty.</i>	<i>Description</i>	<i>Ref.</i>	<i>Part Number</i>	<i>Qty.</i>	<i>Description</i>
10	117-1706	1	Lower Gasket Kit	120	98-7654	1	Gasket
20	117-0330	1	Gasket-Pump, Water	130	105-3776	1	O-Ring
25	98-7524	1	Gasket	135	98-9722	1	O-Ring
30	117-0327	1	Gasket-Case, Gear	140	100-2207	1	O-Ring
40	112-8325	1	Washer	150	98-7654	2	Gasket
50	120-7852	1	Seal-Oil	160	110-9715	1	Gasket-Pan, Oil
60	112-2812	1	Gasket-Case, Bearing	170	100-2208	1	O-Ring
70	110-3724	1	Seal-Oil	180	98-9636	1	Gasket-Pump, Fuel
80	100-1876	1	Gasket-Cover, Case	190	100-1962	1	Gasket-Plate, Control
100	100-2209	1	O-Ring	200	110-3762	1	O-Ring
110	100-2003	1	Gasket-Pump, Oil				

Attachments and Accessories

For 22323G TX 525 Compact Utility Loader

Product Name	Model/Part
Light Kit.....	100-8840
Track Kit.....	104-6106
Road Wheel Kit.....	106-7620
Reference Guide Kit	107-9310
Track-Aggressive Tread.....	108-5640
4 Cubic Foot Standard Bucket	22409
Loose Materials Bucket	22410
48in Hydraulic Blade	22414
Rotary Broom	22415
Bore Drive Head	22420
Rod And Reamer	22421
Multi-Purpose Tool	22423
Power Box Rake	22425
Stump Grinder	22429
Tree Forks	22438
Cement Bowl	22442
40in Tiller	22445
Snowthrower.....	22456
Crumber Kit	22464
Trencher Head.....	22470
High-Speed Trencher Head	22471
Trench Filler	22472
TX Platform.....	22476
Narrow Bucket	22520
Grapple Rake	22521
Auger Head	22805
Universal Swivel Auger Head	22806
6in Auger Bit	22810
9in Auger Bit	22811
12in Auger Bit	22812
15in Auger Bit	22813
18in Auger Bit	22814
24in Auger Bit	22815
30in Auger Bit	22816
12in Auger Bit Extension	22818
24in Auger Bit Extension	22819
Vibratory Plow	22911
Soil Cultivator	23101
Concrete Breaker	23135
TX Fit Up Kit	23162
Backhoe.....	23163
Adjustable Forks	23164
Leveler.....	23165
Spark Arrestor Screen	75-6880

Notes:



Count on it.