



Count on it.

Parts Catalog

**21in Heavy-Duty Recycler®/Rear
Bagger Lawn Mower**

Model No. 22298—Serial No. 315000001 and Up



Ordering Replacement Parts

To order replacement parts, please supply the part number, the quantity, and the description of each part desired.

Understanding Reference Numbers

Each identified part in an illustration has a reference number. The reference number for a part also appears in the parts list, along with other information about the part.

This catalog uses two special reference number formats, one to indicate parts in a service assembly and another to indicate the quantity of a given part in an illustration.

Service Assembly Reference Numbers

Parts in service assemblies have reference numbers in the form a:b. The a represents the reference number of the entire service assembly and the b represents a sequential number unique to each part within the service assembly.

For example, a wheel assembly might be identified by reference number 6, the tire by 6:1, the valve by 6:2, and the wheel by 6:3. When you order the assembly identified by reference number 6, you receive all parts identified by reference numbers 6:1, 6:2, and 6:3. However, you may also order any part individually. Reference numbers of this type appear in illustration and in parts lists.

Reference Numbers Indicating Quantity

In an illustration, if a reference number indicates more than one part, the reference number has the form nX y. The n represents the quantity of the part, the X is the multiplication symbol, and the y represents the reference number.

For example, in an illustration, the reference number 2X 37 means that two of the parts identified by reference number 37 are indicated.

List of Abbreviations

AR: as required

ASM: assembly

BBC: blade brake control

BHTF: button head thread forming

CARR: carriage

CCW: counter clockwise

CW: clockwise

DEG: degrees

DPA: Dual Point Adjustment

ECM: electronic control module

EXT: external

FH: flat head

GA: gauge

HD: heavy-duty

HF: hex flange

HH: hex head

HHF: hex head flange

HHFTF: hex head flange thread forming

HJ: hex jam

HLH: hex lag head

HOC: height-of-cut

HP: high pressure

HSBH: hex socket button head

HSFH: hex socket flat head

HSH: hex socket head

HWH: hex washer head

HWHTF: hex washer head thread forming

HYD: hydraulic

LH: left hand

LP: low pressure

LPG: Liquefied Petroleum Gas

NI: nylon insert

NPTF: national pipe thread fine

PFH: phillips flat head

PPH: phillips pan head

PPHTF: phillips pan head thread forming

PRH: phillips round head

PTH: phillips truss head

PTO: power-take-off

RH: right hand

ROPS: roll-over protection system

RRB: rear roller brush

SFH: slotted fillister head

SHH: slotted hex head

SHWH: slotted hex washer head

SPH: slotted pan head

SQH: square head

SRH: slotted round head

STD: standard

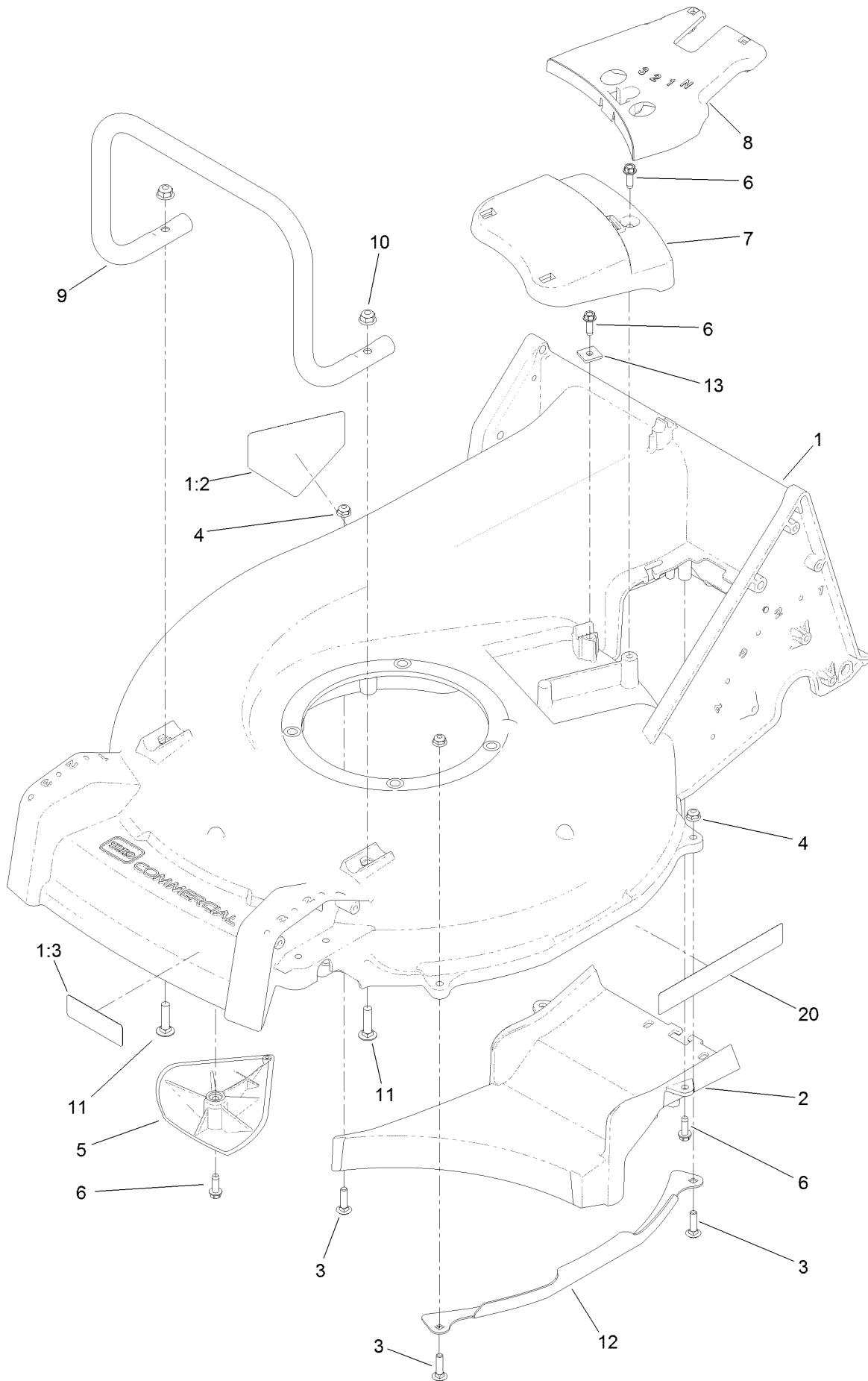
TAP: self tapping

TTH: torx truss head

Contents

Housing Assembly	4
Grass Bag Assembly	6
Engine, Fuel-Tank and Blade Assembly	8
Height-of-Cut and Wheel Assembly	10
Transmission Assembly	12
Transmission Assembly No. 131-0859	14
Handle and Control Assembly	16
Attachments and Accessories	18

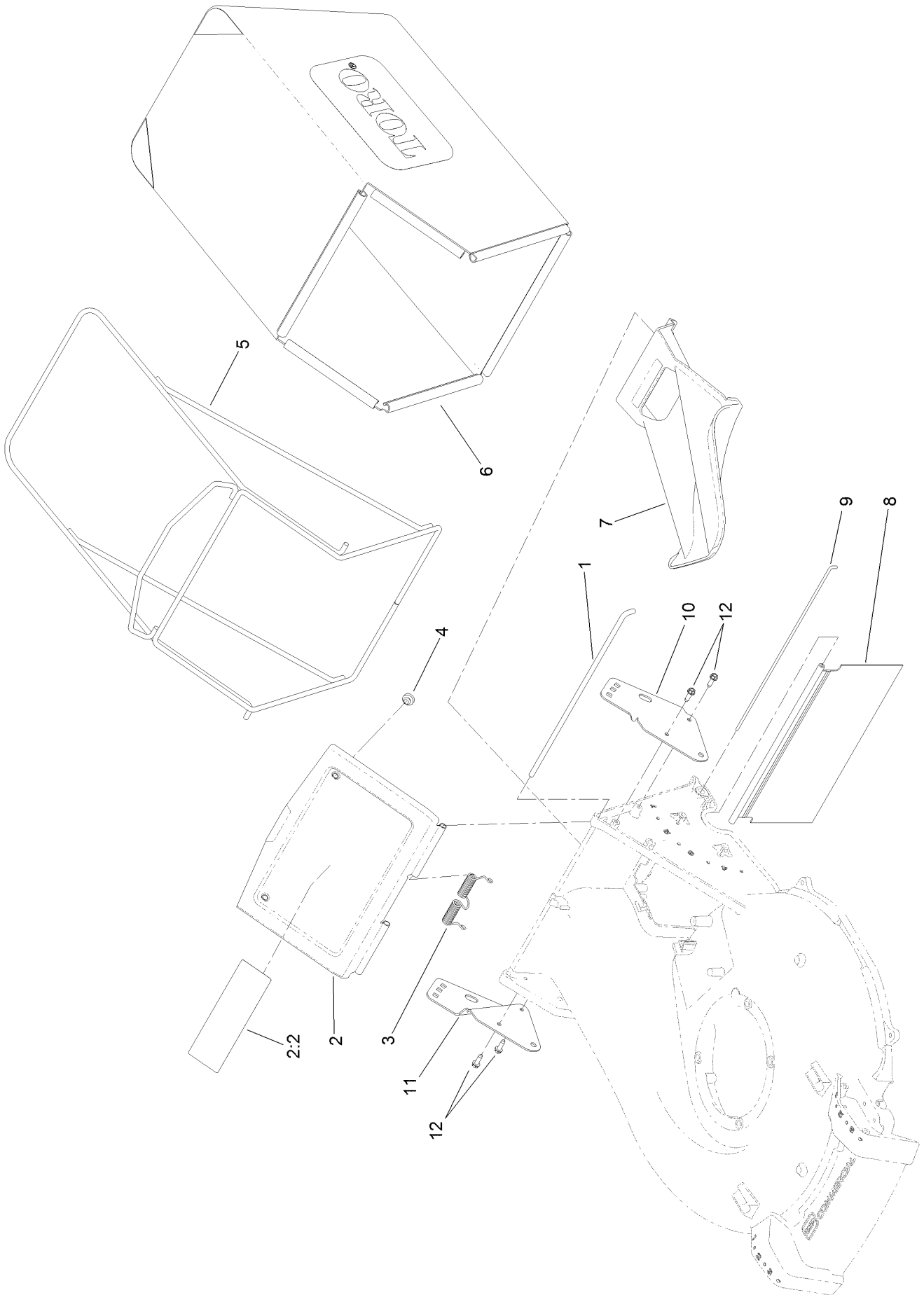
Housing Assembly



Housing Assembly (continued)

<i>Ref.</i>	<i>Part Number</i>	<i>Qty.</i>	<i>Description</i>	<i>Ref.</i>	<i>Part Number</i>	<i>Qty.</i>	<i>Description</i>
1	125-8400	1	Housing ASM	7	125-5038	1	Cover-Belt, Front
1:2	94-8072	1	Decal-Danger	8	125-5039	1	Cover-Belt, Rear
1:3	130-9670	1	Decal-Warning, Blade	9	125-1003-03	1	Guard-Engine
2	125-1002-01	1	Floor-Chute	10	104-8300	2	Nut-Flange, NI
3	3229-2	4	Screw-CARR	11	3230-3	2	Screw-CARR
4	104-7201	4	Nut-HF	12	125-1047-03	2	Guard-Side, Deck
5	125-5041	2	Kicker	13	125-8387	1	Clamp-Cable
6	49-2040	6	Screw-HWHTF	20	119-2368	2	Decal-Recycler

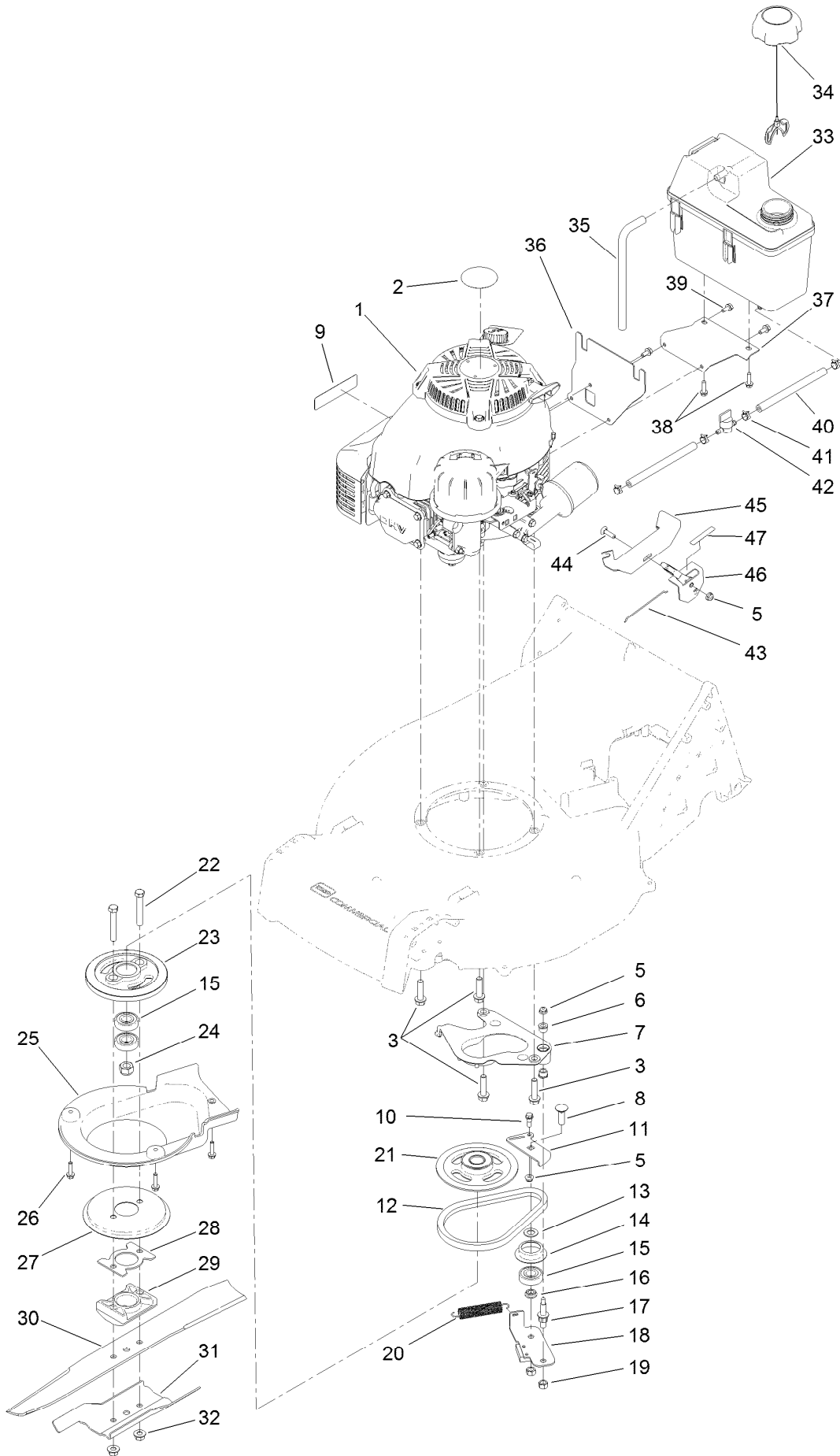
Grass Bag Assembly



Grass Bag Assembly (continued)

<i>Ref.</i>	<i>Part Number</i>	<i>Qty.</i>	<i>Description</i>	<i>Ref.</i>	<i>Part Number</i>	<i>Qty.</i>	<i>Description</i>
1	125-1017	1	Rod-Door, Bag	7	125-1008	1	Plug-Mulch
2	125-8402	1	Bag Door ASM	8	125-1007	1	Shield-Trailing
2:2	116-7583	1	Decal-Warning	9	125-8413	1	Rod-Shield, Trailing
3	125-1019	1	Spring-Torsion	10	125-1013-03	1	Bracket-Mount, LH Handle
4	1-513658	2	Bumper	11	125-1014-03	1	Bracket-Mount, RH Handle
5	121-1399-03	1	Frame-Bag	12	49-2040	4	Screw-HWHTF
6	125-1030	1	Bag-Grass				

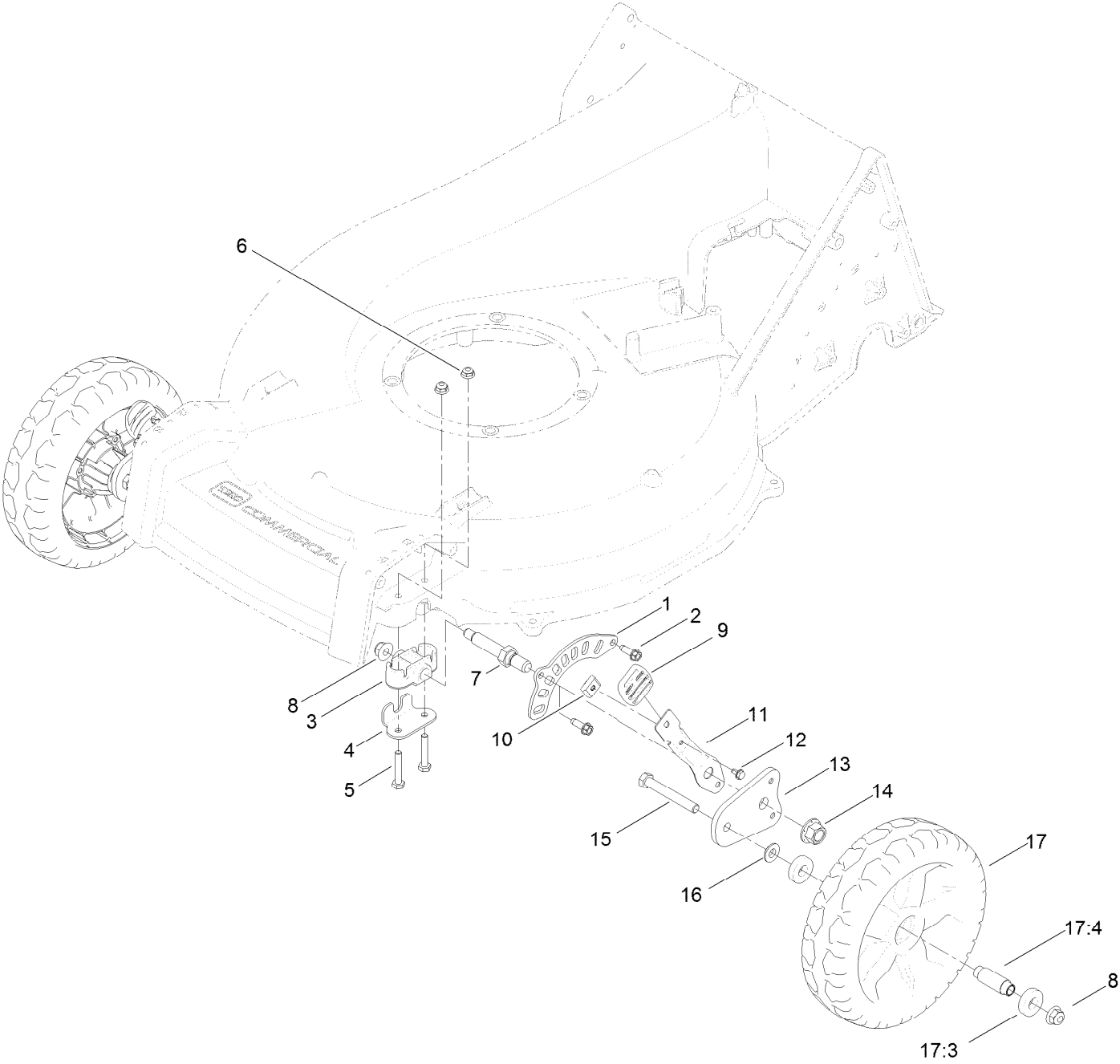
Engine, Fuel-Tank and Blade Assembly



Engine, Fuel-Tank and Blade Assembly (continued)

<i>Ref.</i>	<i>Part Number</i>	<i>Qty.</i>	<i>Description</i>	<i>Ref.</i>	<i>Part Number</i>	<i>Qty.</i>	<i>Description</i>
1	121-1410	1	Engine-Kawasaki, Fj180V	25	125-1006	1	Cover
2	110-0520	1	Decal	26	32144-86	3	Screw-HWHTF
3	125-1073	4	Screw-HWH	27	108-3787	1	Disc
5	104-7201	3	Nut-HF	28	130-6405-03	1	Spacer-Driver, Blade
6	130-2377	2	Bushing-Flange	29	107-7487	1	Support-Blade
7	130-2375	1	Plate-Anchor	30	108-3762-03	1	Blade-Recycling
8	3231-25	1	Bolt-CARR	31	125-1069-03	1	Accelerator-Blade
9	117-2718	1	Decal-Arrester, Spark	32	127-6852	2	Nut-Flange, Lock
10	42-3560	1	Bolt-Shoulder	33	114-0280	1	Tank-Fuel
11	125-8446	1	Plate-Guide, BBC	34	115-7788	1	Cap-Fuel
12	110-1790	1	Belt-BBC	35	115-0962	1	Hose-Vent, Canister
13	605256	1	Washer-Plain	36	125-8381-03	1	Bracket-Tank, Mounting
14	108-3790	1	Retainer-Belt	37	125-8382-03	1	Bracket-Tank, Support
15	38-7820	3	Bearing-Ball	38	46-8091	2	Screw-HWH
16	107-0758	1	Spacer-Bearing	39	125-8383	3	Screw-HWH
17	107-0759	1	Bolt-Shoulder	40	107-0588	2	Hose-Fuel
18	125-1063	1	Plate-Brake	41	2412-98	4	Clamp-Hose
19	125-5069	2	Nut-Hex	42	1-603770	1	Valve-Fuel
20	108-3792	1	Spring-Tension, Brake	43	130-9654	1	Wire-Control
21	117-5970	1	Pulley-BBC	44	3229-30	1	Screw-CARR
22	3211-42	2	Screw-HH	45	130-6440-03	1	Bracket-Mount, Throttle
23	107-0754	1	Drum	46	130-9655	1	Control-Throttle
24	108-9342	1	Nut-Hex	47	130-9656	1	Decal-Throttle, Choke

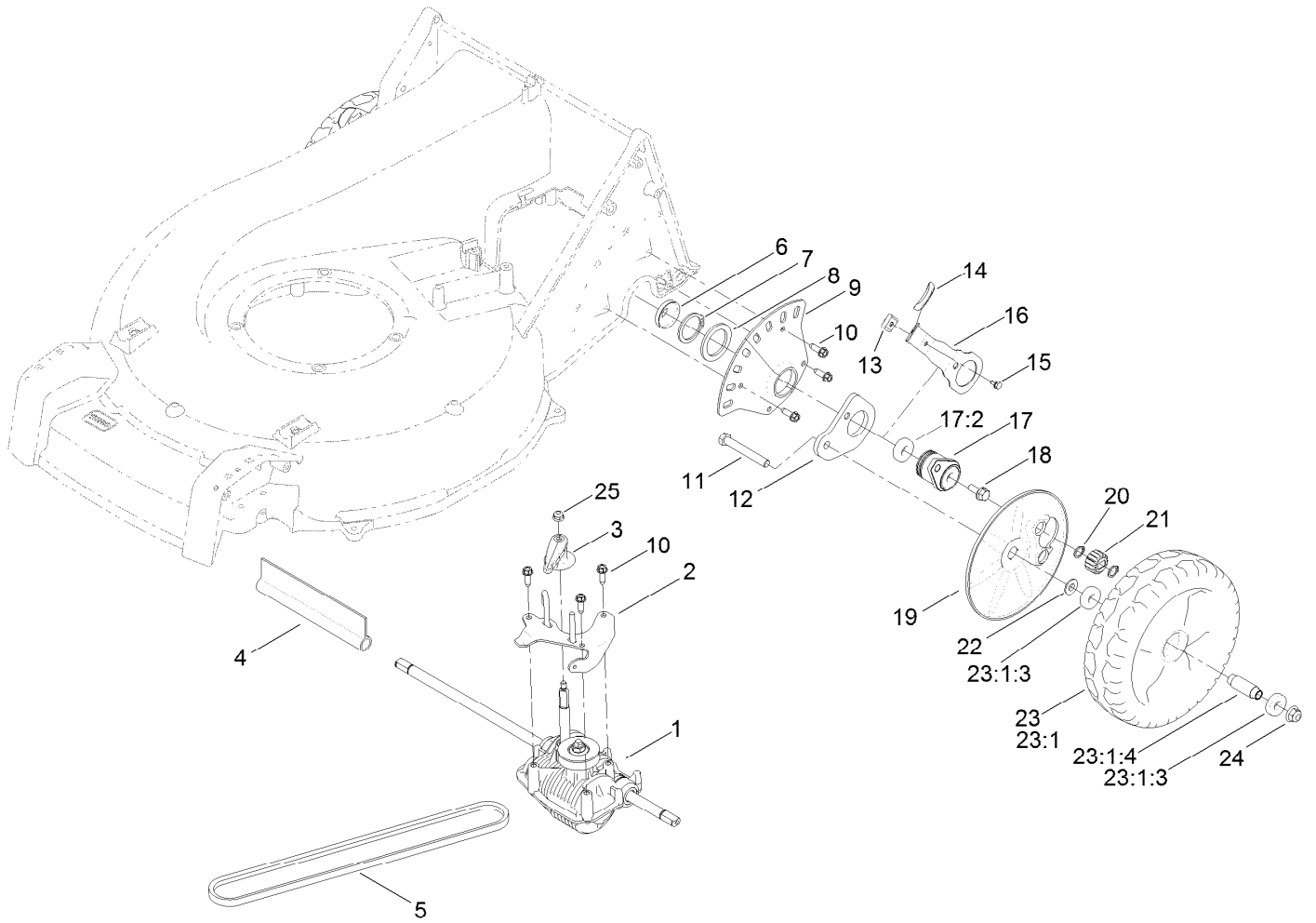
Height-of-Cut and Wheel Assembly



Height-of-Cut and Wheel Assembly (continued)

<i>Ref.</i>	<i>Part Number</i>	<i>Qty.</i>	<i>Description</i>	<i>Ref.</i>	<i>Part Number</i>	<i>Qty.</i>	<i>Description</i>
1	121-1439	2	Plate-HOC, Front	10	130-9690	2	Key-Arm, Spring
2	49-2040	4	Screw-HWHTF	11	121-1431-03	2	Arm-Spring
3	121-1427	2	Bushing-Axle, Front HOC	12	104-2065	2	Screw-HWH
4	121-1442	2	Retainer-Bushing, Front Axle	13	130-6420	2	Arm-Pivot, Front
5	321-9	4	Screw-HH	14	99-5107	2	Nut-Lock
6	104-7201	4	Nut-HF	15	323-13	2	Screw-HH
7	121-1428	2	Axle-Wheel	16	74-1671	2	Spacer-Cover, Wheel
8	104-8301	4	Nut-Flange, NI	17	125-1080	2	Wheel
9	125-1093	2	Knob-Lever, HOC	17:3	52-2450	2	Bearing-Wheel
				17:4	125-1077	1	Spacer

Transmission Assembly

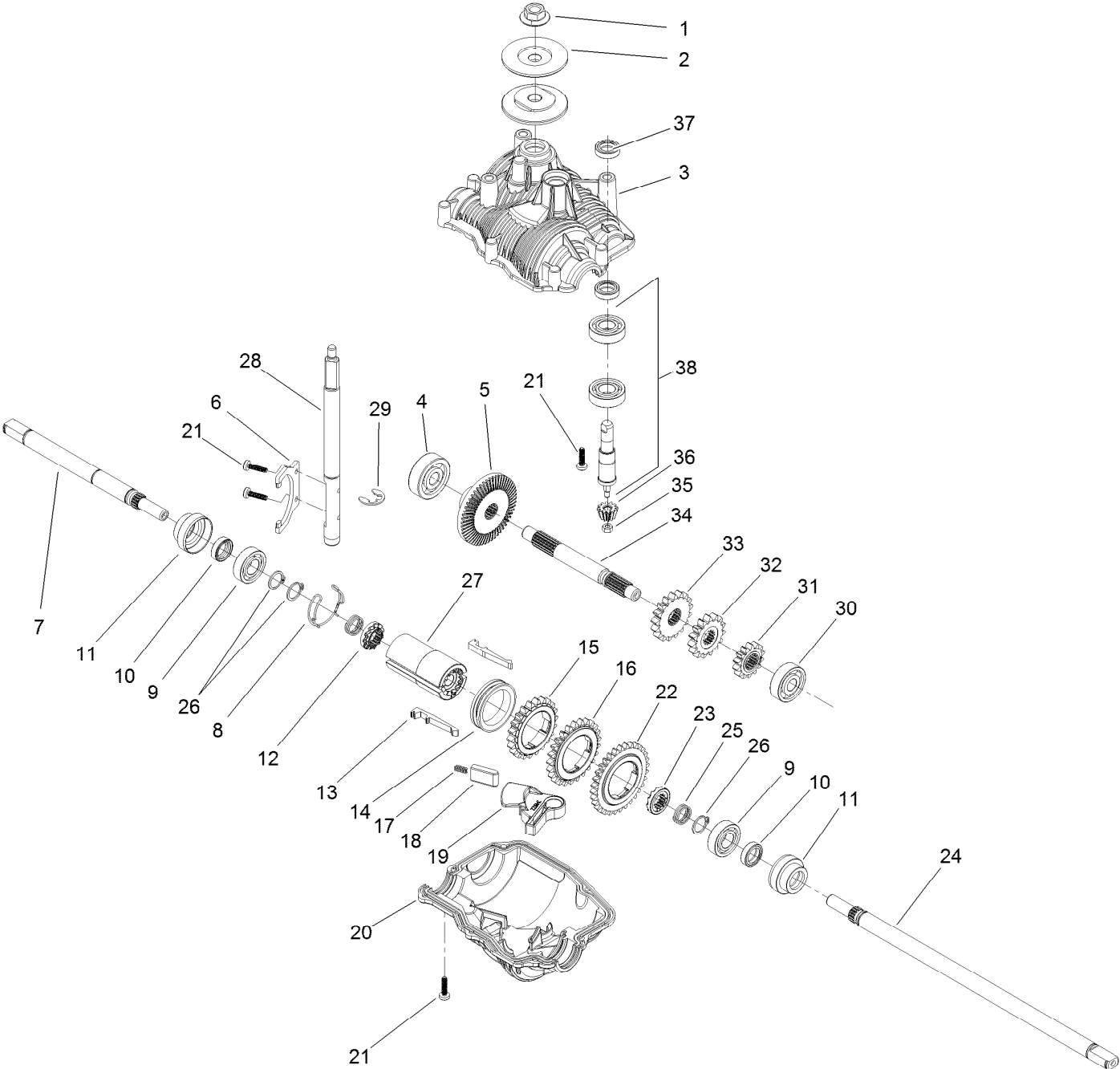


Transmission Assembly (continued)

<i>Ref.</i>	<i>Part Number</i>	<i>Qty.</i>	<i>Description</i>	<i>Ref.</i>	<i>Part Number</i>	<i>Qty.</i>	<i>Description</i>
1	131-0859	1	Transmission-HD	16	121-1448-03	2	Arm-Spring, Rear
2	125-5090-03	1	Guide-Belt	17	121-1424	2	Retainer ASM
3	125-5040	1	Lever-Shift	17:2	52-2450	4	Bearing-Wheel
4	130-9681	1	Cover-Shaft, Transmission	18	130-9692	2	Screw-HWH
5	125-1011	1	Belt-V	19	125-1082	2	Cover-Wheel
6	127-6848	2	Cover-Bearing	20	32151-61	4	Ring-Retaining
7	32151-10	2	Ring-Retaining	21	110-9417	2	Gear-Pinion, 15T
8	98-1452	2	Washer-Thrust	22	74-1671	2	Spacer-Cover, Wheel
9	130-6422	2	Plate-HOC, Rear	23	125-1081	2	Wheel ASM
10	49-2040	9	Screw-HWHTF	23:1		1	Wheel ●
11	323-13	2	Screw-HH	23:1:3	52-2450	2	Bearing-Wheel
12	130-6421	2	Arm-Pivot, Rear	23:1:4	125-1077	1	Spacer
13	130-9690	2	Key-Arm, Spring	24	104-8301	2	Nut-Flange, NI
14	125-1093	2	Knob-Lever, HOC	25	104-7201	1	Nut-HF
15	104-2065	2	Screw-HWH				

● Not serviced separately

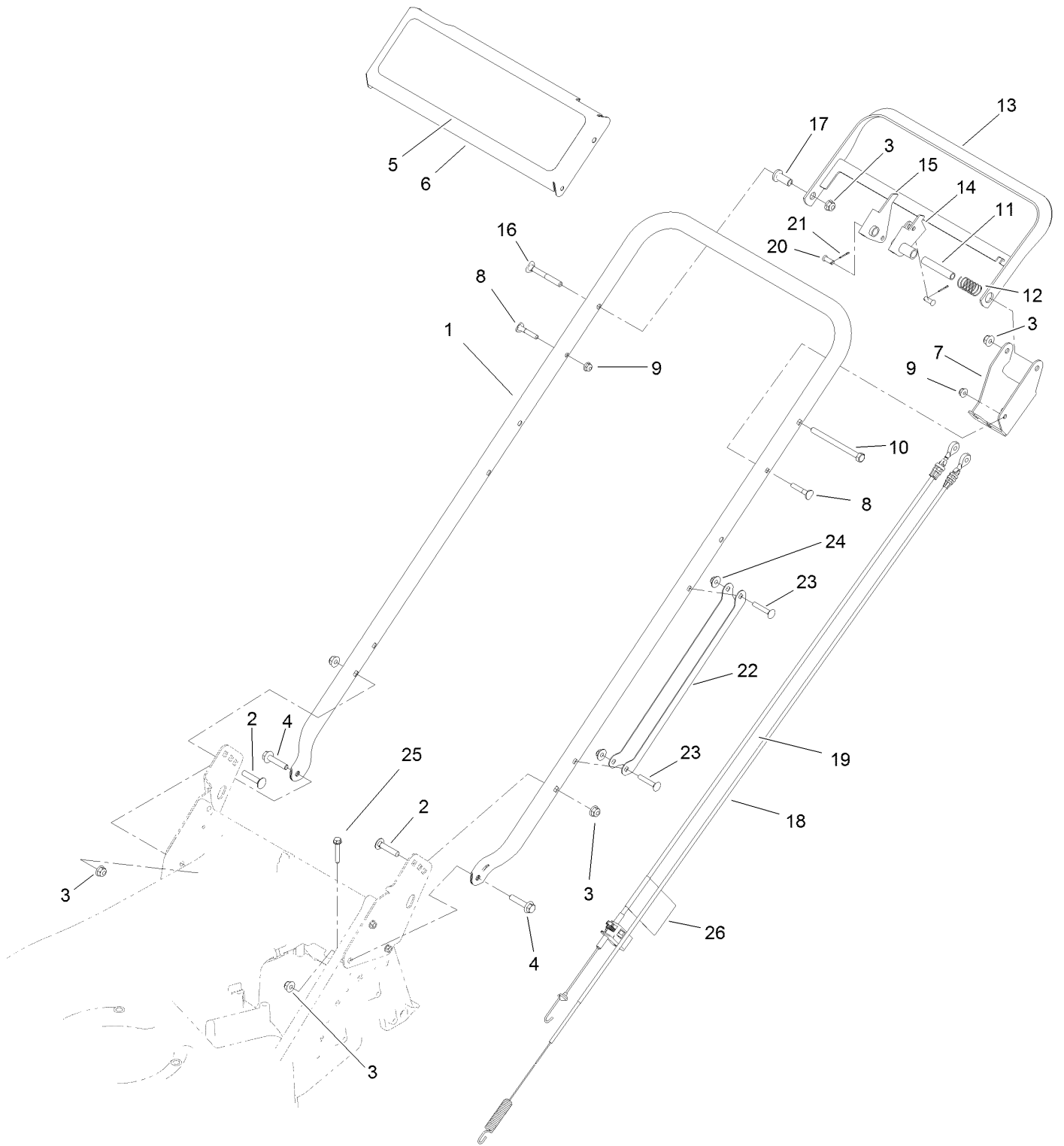
Transmission Assembly No. 131-0859



Transmission Assembly No. 131-0859 (continued)

<i>Ref.</i>	<i>Part Number</i>	<i>Qty.</i>	<i>Description</i>	<i>Ref.</i>	<i>Part Number</i>	<i>Qty.</i>	<i>Description</i>
1	130-2301	1	Nut-Flange	20	130-2337	1	Case-Lower, Transmission
2	130-2326	2	Flange-Pulley	21	130-2302	10	Screw
3	130-2336	1	Case-Upper, Transmission	22	130-2317	1	Gear-Output, 32 Tooth
4	130-2318	1	Bearing-Ball	23	130-2335	1	Clutch-Dog, RH
5	130-2311	1	Gear-Bevel, 53 Tooth	24	130-2309	1	Shaft-Output, Long
6	130-2327	1	Fork-Shift	25	130-2323	2	Spring-Compression, Clutch
7	130-2308	1	Shaft-Output, Short	26	130-2305	3	Ring-Retaining
8	130-2322	1	Spring-Retaining	27	130-2330	1	Hub-Gear, Output
9	130-9708	2	Bearing-Ball	28	130-2306	1	Shaft-Shift
10	130-2325	2	Seal	29	130-2304	1	Ring-Retaining
11	130-2333	2	Bushing-Shaft, Output	30	130-2319	1	Bearing-Ball
12	130-2334	1	Clutch-Dog	31	130-2314	1	Gear-Intermediate, 14 Tooth
13	130-2328	2	Key-Shift	32	130-2313	1	Gear-Intermediate, 15 Tooth
14	130-2329	1	Ring-Shift	33	130-2312	1	Gear-Intermediate, 17 Tooth
15	130-2315	1	Gear-Output, 22 Tooth	34	130-2307	1	Shaft-Intermediate
16	130-2316	1	Gear-Output, 25 Tooth	35	130-2303	1	Nut-Shaft, Input
17	130-2321	1	Spring-Indexing, Shifter	36	130-2310	1	Gear-Bevel, 12 Tooth
18	130-2332	1	Pin-Indexing, Shifter	37	130-2324	2	Seal
19	130-2331	1	Lever-Indexing, Shifter	38	130-2300	1	Shaft-Input

Handle and Control Assembly



Handle and Control Assembly (continued)

<i>Ref.</i>	<i>Part Number</i>	<i>Qty.</i>	<i>Description</i>	<i>Ref.</i>	<i>Part Number</i>	<i>Qty.</i>	<i>Description</i>
1	125-1016-03	1	Handle	15	125-8354	1	Lever-Traction
2	3230-4	2	Screw-CARR	16	125-8408	1	Screw-Handle
3	104-8300	6	Nut-Flange, NI	17	125-8359	1	Spacer-Flange
4	115-1794	2	Screw-HHF	18	130-9702	1	Cable-BBC
5	125-8421	1	Decal-Toro, Commercial	19	130-9703	1	Cable-Traction, BBC
6	125-8350-01	1	Panel-Control	20	84-9040	2	Pin-Cable
7	125-8358-03	1	Bracket-Control	21	3272-1	2	Pin-Cotter
8	117-7737	2	Screw-Handle	22	127-6897-03	1	Guard-Cable, Handle
9	104-7201	2	Nut-HF	23	108-0988	2	Screw-CARR
10	322-19	1	Screw-HH	24	114-3778	2	Nut-Lock, NI
11	125-8424	1	Spacer	25	94-2691	1	Screw-HWH
12	85-6750	1	Spring-Control	26	130-6722	1	Decal-Adjust Self Propel Drive
13	125-8357-03	1	Bar-Control				
14	125-8352	1	Lever-Control				

Attachments and Accessories

For 22298 21in Heavy-Duty Recycler/Rear Bagger Lawn Mower

Product Name	Model/Part
Blade-21in	108-0954-03
Blade-Bagging, 21in	125-1072-03
Cup-Anti Scalp.....	125-8440
Rear Discharge Kit, Heavy-Duty Recycler/Rear Bagger Lawn Mowers.....	130-9734

Notes:



Count on it.