



**Count on it.**

**Parts Catalog**

**21in Heavy-Duty Recycler®/Rear  
Bagger Lawn Mower**

Model No. 22296—Serial No. 315000001 and Up



# Ordering Replacement Parts

To order replacement parts, please supply the part number, the quantity, and the description of each part desired.

## Understanding Reference Numbers

Each identified part in an illustration has a reference number. The reference number for a part also appears in the parts list, along with other information about the part.

This catalog uses two special reference number formats, one to indicate parts in a service assembly and another to indicate the quantity of a given part in an illustration.

## Service Assembly Reference Numbers

Parts in service assemblies have reference numbers in the form a:b. The a represents the reference number of the entire service assembly and the b represents a sequential number unique to each part within the service assembly.

For example, a wheel assembly might be identified by reference number 6, the tire by 6:1, the valve by 6:2, and the wheel by 6:3. When you order the assembly identified by reference number 6, you receive all parts identified by reference numbers 6:1, 6:2, and 6:3. However, you may also order any part individually. Reference numbers of this type appear in illustration and in parts lists.

## Reference Numbers Indicating Quantity

In an illustration, if a reference number indicates more than one part, the reference number has the form nX y. The n represents the quantity of the part, the X is the multiplication symbol, and the y represents the reference number.

For example, in an illustration, the reference number 2X 37 means that two of the parts identified by reference number 37 are indicated.

# List of Abbreviations

**AR:** as required

**ASM:** assembly

**BBC:** blade brake control

**BHTF:** button head thread forming

**CARR:** carriage

**CCW:** counter clockwise

**CW:** clockwise

**DEG:** degrees

**DPA:** Dual Point Adjustment

**ECM:** electronic control module

**EXT:** external

**FH:** flat head

**GA:** gauge

**HD:** heavy-duty

**HF:** hex flange

**HH:** hex head

**HHF:** hex head flange

**HHFTF:** hex head flange thread forming

**HJ:** hex jam

**HLH:** hex lag head

**HOC:** height-of-cut

**HP:** high pressure

**HSBH:** hex socket button head

**HSFH:** hex socket flat head

**HSH:** hex socket head

**HWH:** hex washer head

**HWHTF:** hex washer head thread forming

**HYD:** hydraulic

**LH:** left hand

**LP:** low pressure

**LPG:** Liquefied Petroleum Gas

**NI:** nylon insert

**NPTF:** national pipe thread fine

**PFH:** phillips flat head

**PPH:** phillips pan head

**PPHTF:** phillips pan head thread forming

**PRH:** phillips round head

**PTH:** phillips truss head

**PTO:** power-take-off

**RH:** right hand

**ROPS:** roll-over protection system

**RRB:** rear roller brush

**SFH:** slotted fillister head

**SHH:** slotted hex head

**SHWH:** slotted hex washer head

**SPH:** slotted pan head

**SQH:** square head

**SRH:** slotted round head

**STD:** standard

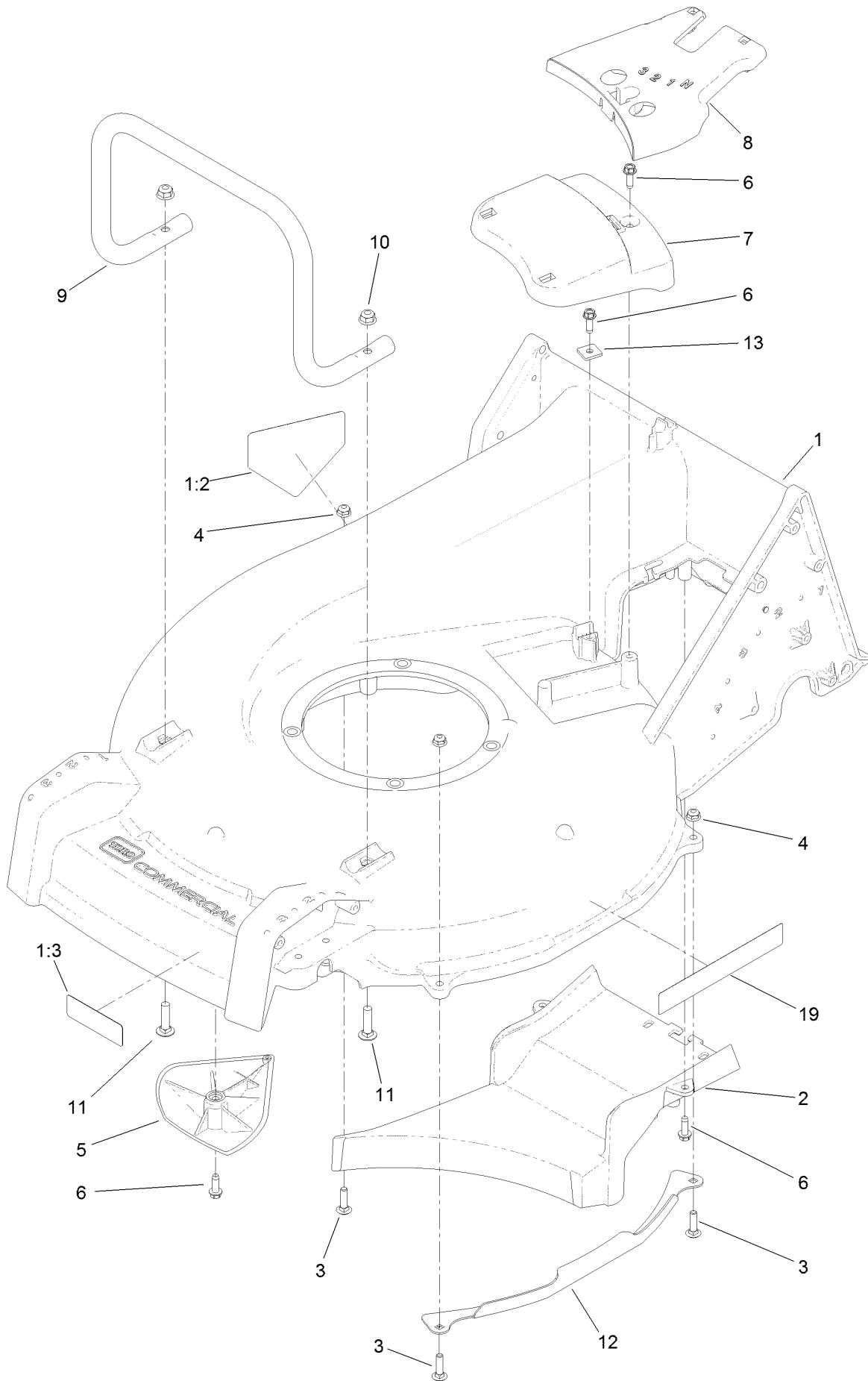
**TAP:** self tapping

**TTH:** torx truss head

# Contents

Housing Assembly .....	4
Grass Bag Assembly .....	6
Engine, Fuel-Tank and Blade Assembly .....	8
Height-of-Cut and Wheel Assembly .....	10
Transmission Assembly .....	12
Transmission Assembly No. 131-0859 .....	14
Handle and Control Assembly .....	16
Attachments and Accessories .....	18

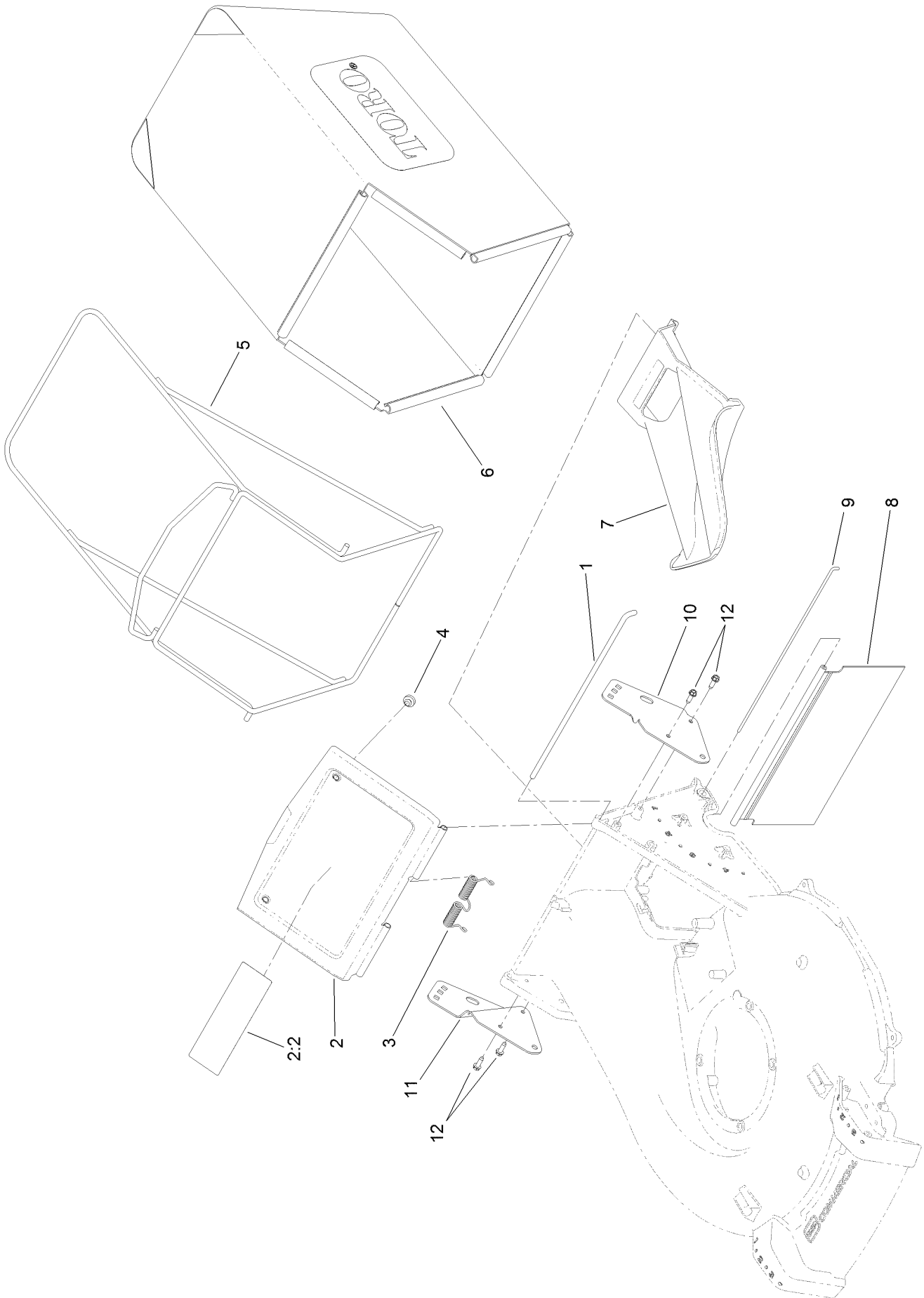
# Housing Assembly



## Housing Assembly (continued)

<i>Ref.</i>	<i>Part Number</i>	<i>Qty.</i>	<i>Description</i>	<i>Ref.</i>	<i>Part Number</i>	<i>Qty.</i>	<i>Description</i>
1	125-8400	1	Housing ASM	7	125-5038	1	Cover-Belt, Front
1:2	94-8072	1	Decal-Danger	8	125-5039	1	Cover-Belt, Rear
1:3	130-9670	1	Decal-Warning, Blade	9	125-1003-03	1	Guard-Engine
2	125-1002-01	1	Floor-Chute	10	104-8300	2	Nut-Flange, NI
3	3229-2	4	Screw-CARR	11	3230-3	2	Screw-CARR
4	104-7201	4	Nut-HF	12	125-1047-03	2	Guard-Side, Deck
5	125-5041	2	Kicker	13	125-8387	1	Clamp-Cable
6	49-2040	6	Screw-HWHTF	19	119-2368	2	Decal-Recycler

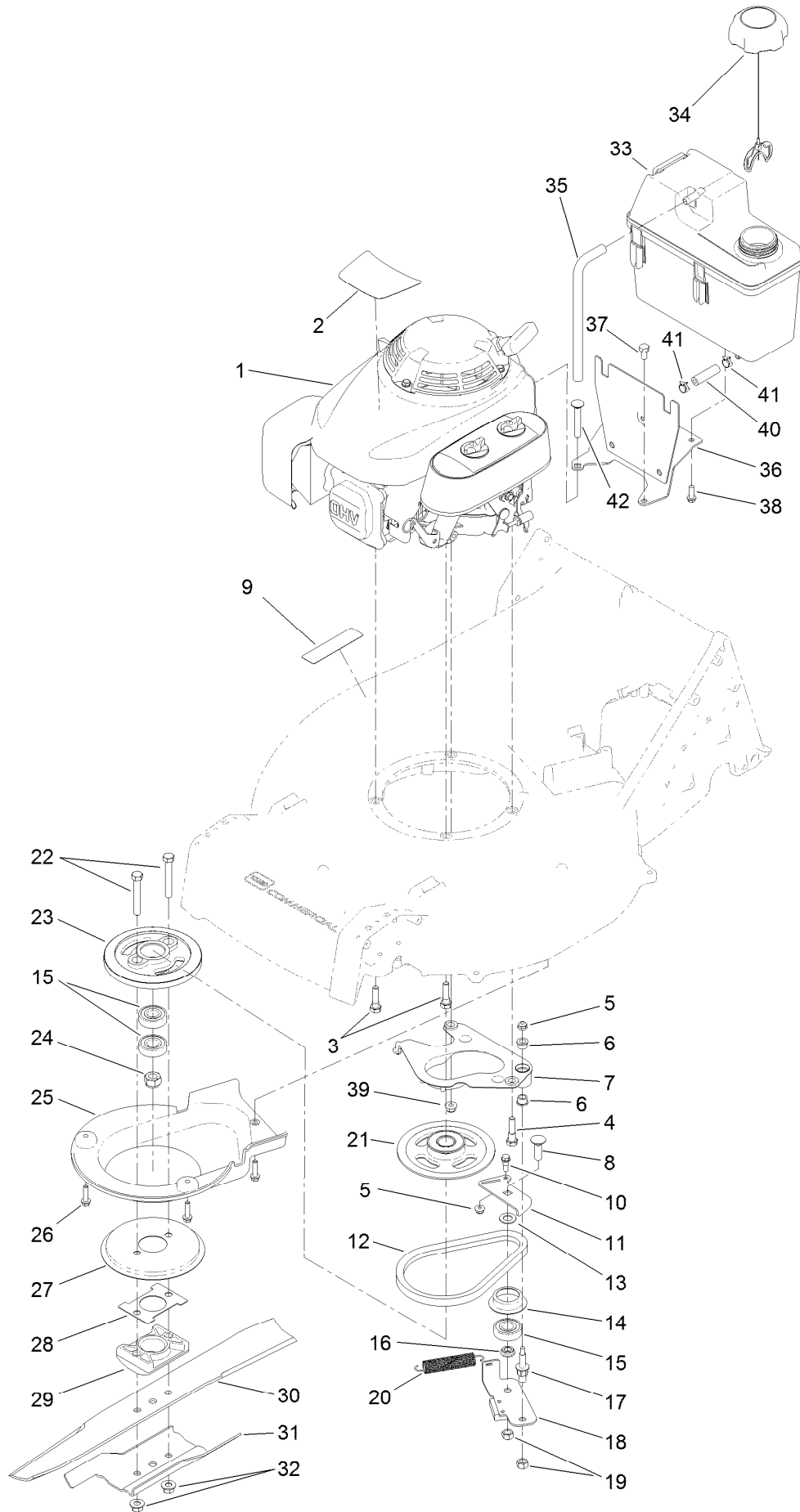
# Grass Bag Assembly



## Grass Bag Assembly (continued)

<i>Ref.</i>	<i>Part Number</i>	<i>Qty.</i>	<i>Description</i>	<i>Ref.</i>	<i>Part Number</i>	<i>Qty.</i>	<i>Description</i>
1	125-1017	1	Rod-Door, Bag	7	125-1008	1	Plug-Mulch
2	125-8402	1	Bag Door ASM	8	125-1007	1	Shield-Trailing
2:2	116-7583	1	Decal-Warning	9	125-8413	1	Rod-Shield, Trailing
3	125-1019	1	Spring-Torsion	10	125-1013-03	1	Bracket-Mount, LH Handle
4	1-513658	2	Bumper	11	125-1014-03	1	Bracket-Mount, RH Handle
5	121-1399-03	1	Frame-Bag	12	49-2040	4	Screw-HWHTF
6	125-1030	1	Bag-Grass				

# Engine, Fuel-Tank and Blade Assembly

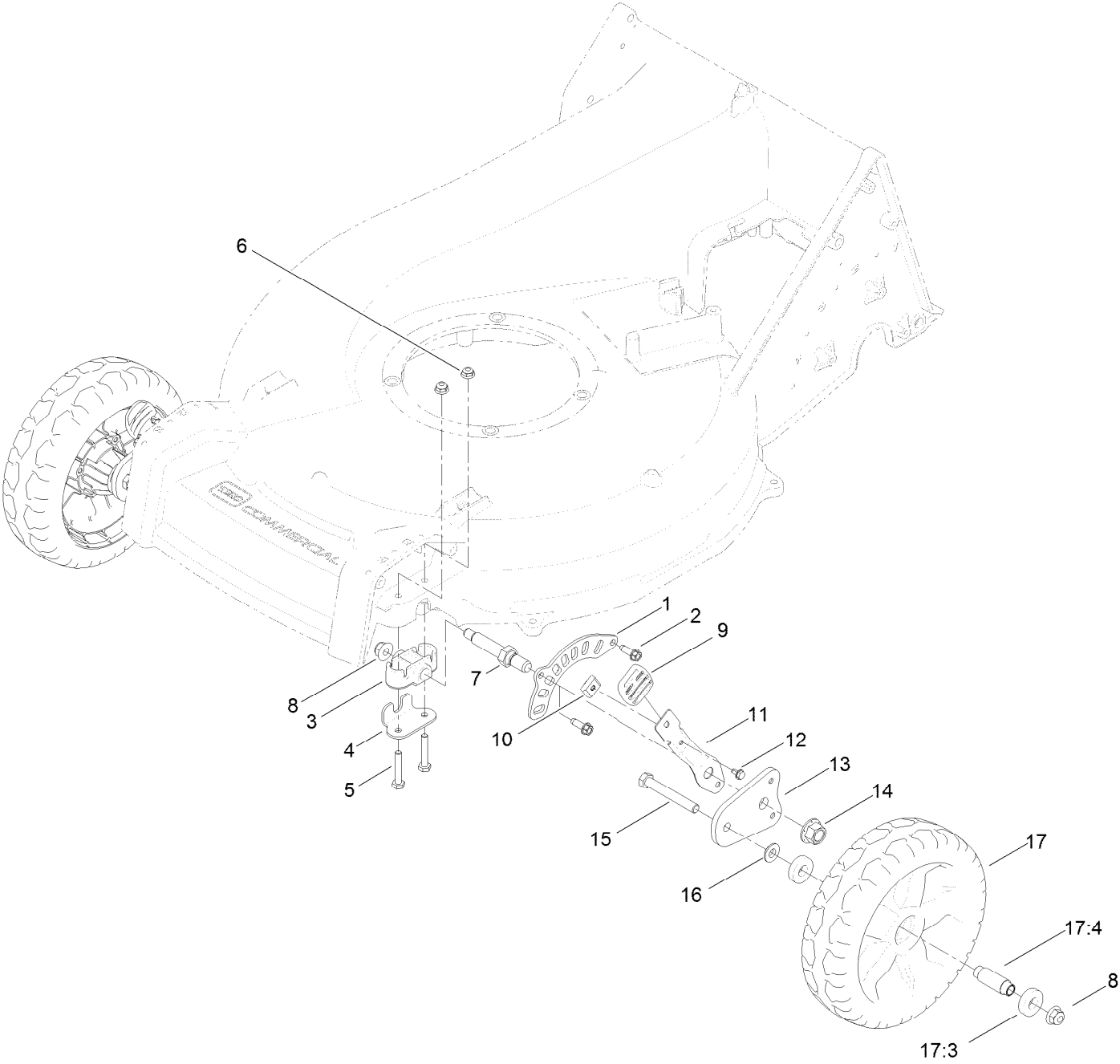




## Engine, Fuel-Tank and Blade Assembly (continued)

<i>Ref.</i>	<i>Part Number</i>	<i>Qty.</i>	<i>Description</i>	<i>Ref.</i>	<i>Part Number</i>	<i>Qty.</i>	<i>Description</i>
1	125-1095	1	Engine-Honda, Gxv160	22	3211-42	2	Screw-HH
2	125-8405	1	Decal-Engine, Honda	23	107-0754	1	Drum
3	125-1074	2	Screw-Hhsh	24	108-9342	1	Nut-Hex
4	103-2678	1	Screw-Shoulder	25	125-1006	1	Cover
5	104-7201	2	Nut-HF	26	32144-86	3	Screw-HWHTF
6	130-2377	2	Bushing-Flange	27	108-3787	1	Disc
7	130-2375	1	Plate-Anchor	28	130-6404-01	1	Spacer-Driver, Blade
8	3231-25	1	Bolt-CARR	29	107-7487	1	Support-Blade
9	117-2718	1	Decal-Arrester, Spark	30	108-3762-03	1	Blade-Recycling
10	42-3560	1	Bolt-Shoulder	31	125-1069-03	1	Accelerator-Blade
11	125-8446	1	Plate-Guide, BBC	32	127-6852	2	Nut-Flange, Lock
12	110-1790	1	Belt-BBC	33	114-0280	1	Tank-Fuel
13	605256	1	Washer-Plain	34	115-7788	1	Cap-Fuel
14	108-3790	1	Retainer-Belt	35	115-0962	1	Hose-Vent, Canister
15	38-7820	3	Bearing-Ball	36	119-7837-03	1	Mount-Tank
16	107-0758	1	Spacer-Bearing	37	3210-2	1	Screw-HH
17	107-0759	1	Bolt-Shoulder	38	46-8091	2	Screw-HWH
18	125-1063	1	Plate-Brake	39	104-8300	1	Nut-Flange, NI
19	125-5069	2	Nut-Hex	40	119-7856	1	Hose-Fuel
20	108-3792	1	Spring-Tension, Brake	41	2412-98	2	Clamp-Hose
21	117-5970	1	Pulley-BBC	42	3230-7	1	Bolt-CARR

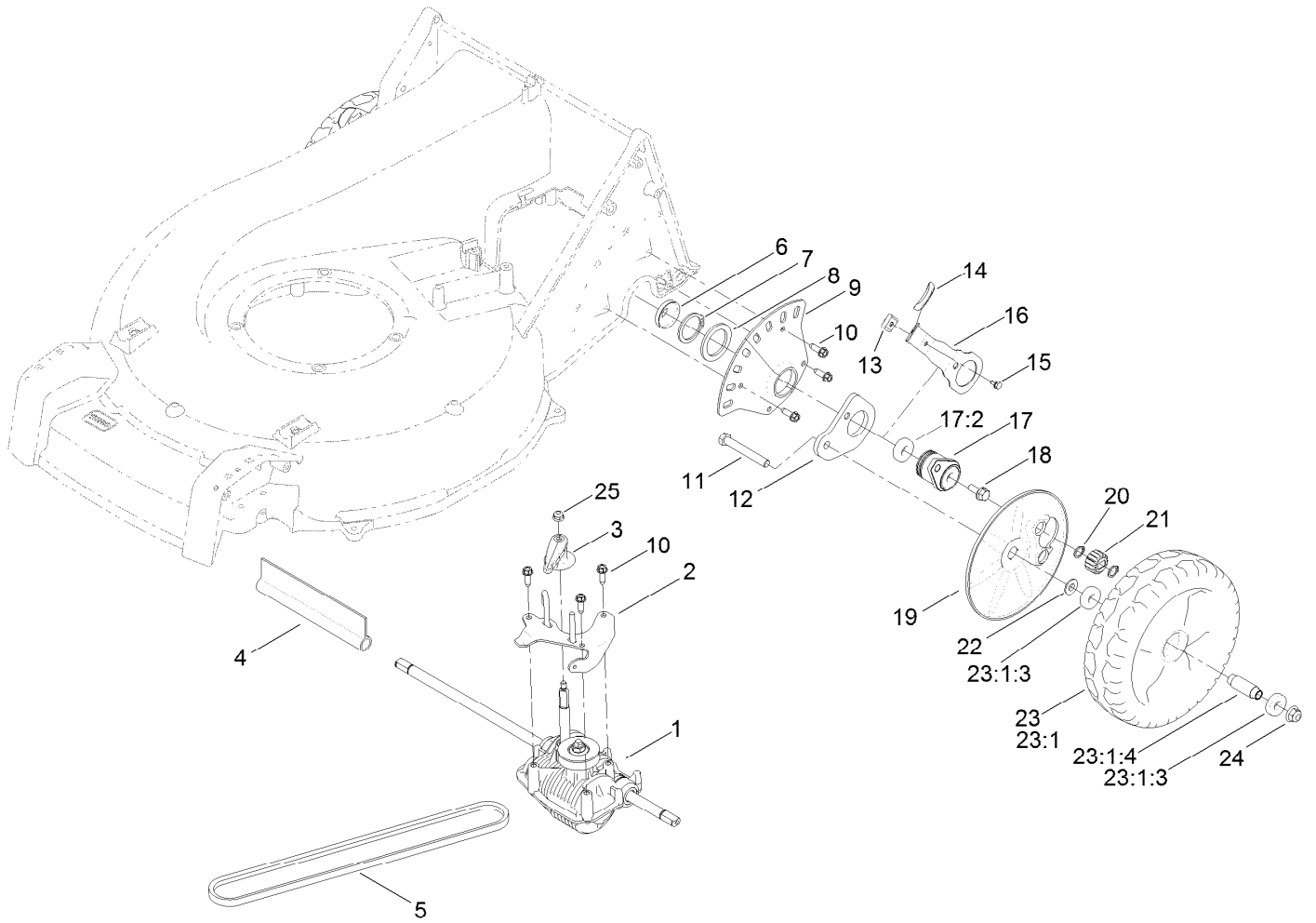
# Height-of-Cut and Wheel Assembly



## Height-of-Cut and Wheel Assembly (continued)

<i>Ref.</i>	<i>Part Number</i>	<i>Qty.</i>	<i>Description</i>	<i>Ref.</i>	<i>Part Number</i>	<i>Qty.</i>	<i>Description</i>
1	121-1439	2	Plate-HOC, Front	10	130-9690	2	Key-Arm, Spring
2	49-2040	4	Screw-HWHTF	11	121-1431-03	2	Arm-Spring
3	121-1427	2	Bushing-Axle, Front HOC	12	104-2065	2	Screw-HWH
4	121-1442	2	Retainer-Bushing, Front Axle	13	130-6420	2	Arm-Pivot, Front
5	321-9	4	Screw-HH	14	99-5107	2	Nut-Lock
6	104-7201	4	Nut-HF	15	323-13	2	Screw-HH
7	121-1428	2	Axle-Wheel	16	74-1671	2	Spacer-Cover, Wheel
8	104-8301	4	Nut-Flange, NI	17	125-1080	2	Wheel
9	125-1093	2	Knob-Lever, HOC	17:3	52-2450	2	Bearing-Wheel
				17:4	125-1077	1	Spacer

# Transmission Assembly

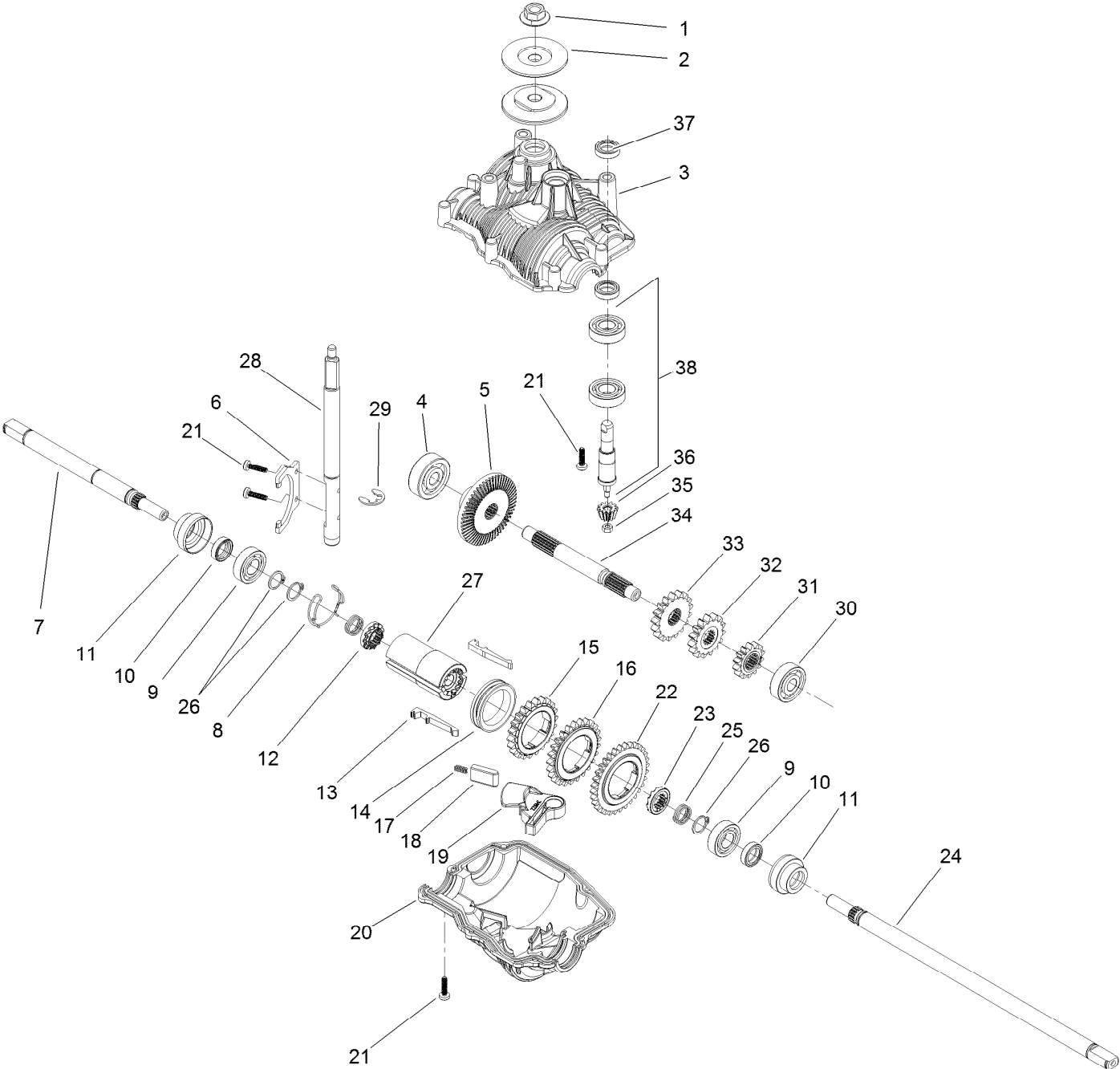


## Transmission Assembly (continued)

<i>Ref.</i>	<i>Part Number</i>	<i>Qty.</i>	<i>Description</i>	<i>Ref.</i>	<i>Part Number</i>	<i>Qty.</i>	<i>Description</i>
1	131-0859	1	Transmission-HD	16	121-1448-03	2	Arm-Spring, Rear
2	125-5090-03	1	Guide-Belt	17	121-1424	2	Retainer ASM
3	125-5040	1	Lever-Shift	17:2	52-2450	4	Bearing-Wheel
4	130-9681	1	Cover-Shaft, Transmission	18	130-9692	2	Screw-HWH
5	125-1011	1	Belt-V	19	125-1082	2	Cover-Wheel
6	127-6848	2	Cover-Bearing	20	32151-61	4	Ring-Retaining
7	32151-10	2	Ring-Retaining	21	110-9417	2	Gear-Pinion, 15T
8	98-1452	2	Washer-Thrust	22	74-1671	2	Spacer-Cover, Wheel
9	130-6422	2	Plate-HOC, Rear	23	125-1081	2	Wheel ASM
10	49-2040	9	Screw-HWHTF	23:1		1	Wheel ●
11	323-13	2	Screw-HH	23:1:3	52-2450	2	Bearing-Wheel
12	130-6421	2	Arm-Pivot, Rear	23:1:4	125-1077	1	Spacer
13	130-9690	2	Key-Arm, Spring	24	104-8301	2	Nut-Flange, NI
14	125-1093	2	Knob-Lever, HOC	25	104-7201	1	Nut-HF
15	104-2065	2	Screw-HWH				

● Not serviced separately

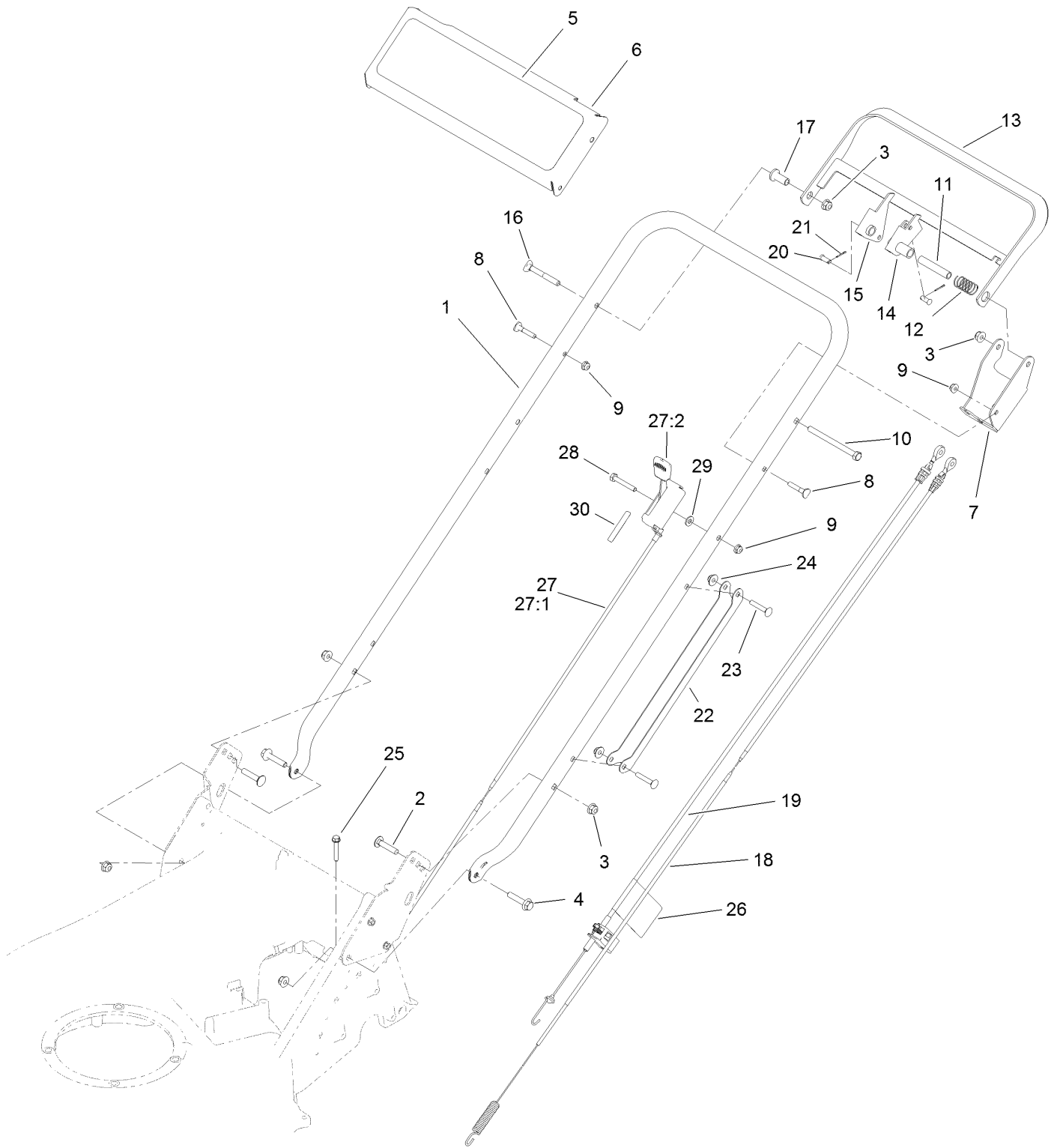
# Transmission Assembly No. 131-0859



## Transmission Assembly No. 131-0859 (continued)

<i>Ref.</i>	<i>Part Number</i>	<i>Qty.</i>	<i>Description</i>	<i>Ref.</i>	<i>Part Number</i>	<i>Qty.</i>	<i>Description</i>
1	130-2301	1	Nut-Flange	20	130-2337	1	Case-Lower, Transmission
2	130-2326	2	Flange-Pulley	21	130-2302	10	Screw
3	130-2336	1	Case-Upper, Transmission	22	130-2317	1	Gear-Output, 32 Tooth
4	130-2318	1	Bearing-Ball	23	130-2335	1	Clutch-Dog, RH
5	130-2311	1	Gear-Bevel, 53 Tooth	24	130-2309	1	Shaft-Output, Long
6	130-2327	1	Fork-Shift	25	130-2323	2	Spring-Compression, Clutch
7	130-2308	1	Shaft-Output, Short	26	130-2305	3	Ring-Retaining
8	130-2322	1	Spring-Retaining	27	130-2330	1	Hub-Gear, Output
9	130-9708	2	Bearing-Ball	28	130-2306	1	Shaft-Shift
10	130-2325	2	Seal	29	130-2304	1	Ring-Retaining
11	130-2333	2	Bushing-Shaft, Output	30	130-2319	1	Bearing-Ball
12	130-2334	1	Clutch-Dog	31	130-2314	1	Gear-Intermediate, 14 Tooth
13	130-2328	2	Key-Shift	32	130-2313	1	Gear-Intermediate, 15 Tooth
14	130-2329	1	Ring-Shift	33	130-2312	1	Gear-Intermediate, 17 Tooth
15	130-2315	1	Gear-Output, 22 Tooth	34	130-2307	1	Shaft-Intermediate
16	130-2316	1	Gear-Output, 25 Tooth	35	130-2303	1	Nut-Shaft, Input
17	130-2321	1	Spring-Indexing, Shifter	36	130-2310	1	Gear-Bevel, 12 Tooth
18	130-2332	1	Pin-Indexing, Shifter	37	130-2324	2	Seal
19	130-2331	1	Lever-Indexing, Shifter	38	130-2300	1	Shaft-Input

# Handle and Control Assembly





## Handle and Control Assembly (continued)

<i>Ref.</i>	<i>Part Number</i>	<i>Qty.</i>	<i>Description</i>	<i>Ref.</i>	<i>Part Number</i>	<i>Qty.</i>	<i>Description</i>
1	125-1016-03	1	Handle	18	130-9702	1	Cable-BBC
2	3230-4	2	Screw-CARR	19	130-9703	1	Cable-Traction, BBC
3	104-8300	6	Nut-Flange, NI	20	84-9040	2	Pin-Cable
4	115-1794	2	Screw-HHF	21	3272-1	2	Pin-Cotter
5	125-8421	1	Decal-Toro, Commercial	22	127-6897-03	1	Guard-Cable, Handle
6	125-8350-01	1	Panel-Control	23	108-0988	2	Screw-CARR
7	125-8358-03	1	Bracket-Control	24	114-3778	2	Nut-Lock, NI
8	117-7737	2	Screw-Handle	25	94-2691	1	Screw-HWH
9	104-7201	3	Nut-HF	26	130-6722	1	Decal-Adjust Self Propel Drive
10	322-19	1	Screw-HH	27	125-8374	1	Control-Throttle/Choke
11	125-8424	1	Spacer	27:1	130-6400	1	Cable-Throttle
12	85-6750	1	Spring-Control	27:2	130-6401	1	Control-Throttle
13	125-8357-03	1	Bar-Control	28	321-10	1	Screw-HH
14	125-8352	1	Lever-Control	29	3256-22	1	Washer-Flat
15	125-8354	1	Lever-Traction	30	130-9656	1	Decal-Throttle, Choke
16	125-8408	1	Screw-Handle				
17	125-8359	1	Spacer-Flange				

# Attachments and Accessories

## For 22296 21in Heavy-Duty Recycler/Rear Bagger Lawn Mower

<b>Product Name</b>	<b>Model/Part</b>
Blade-21in .....	108-0954-03
Blade-Bagging, 21in .....	125-1072-03
Cup-Anti Scalp.....	125-8440
Rear Discharge Kit, Heavy-Duty Recycler/Rear Bagger Lawn Mowers.....	130-9734

**Notes:**



**Count on it.**