



**Count on it.**

**Parts Catalog**

**Reelmaster® 7000-D 4-Wheel  
Drive Traction Unit**

Model No. 03708—Serial No. 314000201 and Up



# Ordering Replacement Parts

To order replacement parts, please supply the part number, the quantity, and the description of each part desired.

## Understanding Reference Numbers

Each identified part in an illustration has a reference number. The reference number for a part also appears in the parts list, along with other information about the part.

This catalog uses two special reference number formats, one to indicate parts in a service assembly and another to indicate the quantity of a given part in an illustration.

## Service Assembly Reference Numbers

Parts in service assemblies have reference numbers in the form a:b. The a represents the reference number of the entire service assembly and the b represents a sequential number unique to each part within the service assembly.

For example, a wheel assembly might be identified by reference number 6, the tire by 6:1, the valve by 6:2, and the wheel by 6:3. When you order the assembly identified by reference number 6, you receive all parts identified by reference numbers 6:1, 6:2, and 6:3. However, you may also order any part individually. Reference numbers of this type appear in illustration and in parts lists.

## Reference Numbers Indicating Quantity

In an illustration, if a reference number indicates more than one part, the reference number has the form nX y. The n represents the quantity of the part, the X is the multiplication symbol, and the y represents the reference number.

For example, in an illustration, the reference number 2X 37 means that two of the parts identified by reference number 37 are indicated.

# List of Abbreviations

**AR:** as required

**ASM:** assembly

**BBC:** blade brake control

**BHTF:** button head thread forming

**CARR:** carriage

**CCW:** counter clockwise

**CW:** clockwise

**DEG:** degrees

**DPA:** Dual Point Adjustment

**ECM:** electronic control module

**EXT:** external

**FH:** flat head

**GA:** gauge

**HD:** heavy-duty

**HF:** hex flange

**HH:** hex head

**HHF:** hex head flange

**HHFTF:** hex head flange thread forming

**HJ:** hex jam

**HLH:** hex lag head

**HOC:** height-of-cut

**HP:** high pressure

**HSBH:** hex socket button head

**HSFH:** hex socket flat head

**HSH:** hex socket head

**HWH:** hex washer head

**HWHTF:** hex washer head thread forming

**HYD:** hydraulic

**LH:** left hand

**LP:** low pressure

**LPG:** Liquefied Petroleum Gas

**NI:** nylon insert

**NPTF:** national pipe thread fine

**PFH:** phillips flat head

**PPH:** phillips pan head

**PPHTF:** phillips pan head thread forming

**PRH:** phillips round head

**PTH:** phillips truss head

**PTO:** power-take-off

**RH:** right hand

**ROPS:** roll-over protection system

**RRB:** rear roller brush

**SFH:** slotted fillister head

**SHH:** slotted hex head

**SHWH:** slotted hex washer head

**SPH:** slotted pan head

**SQH:** square head

**SRH:** slotted round head

**STD:** standard

**TAP:** self tapping

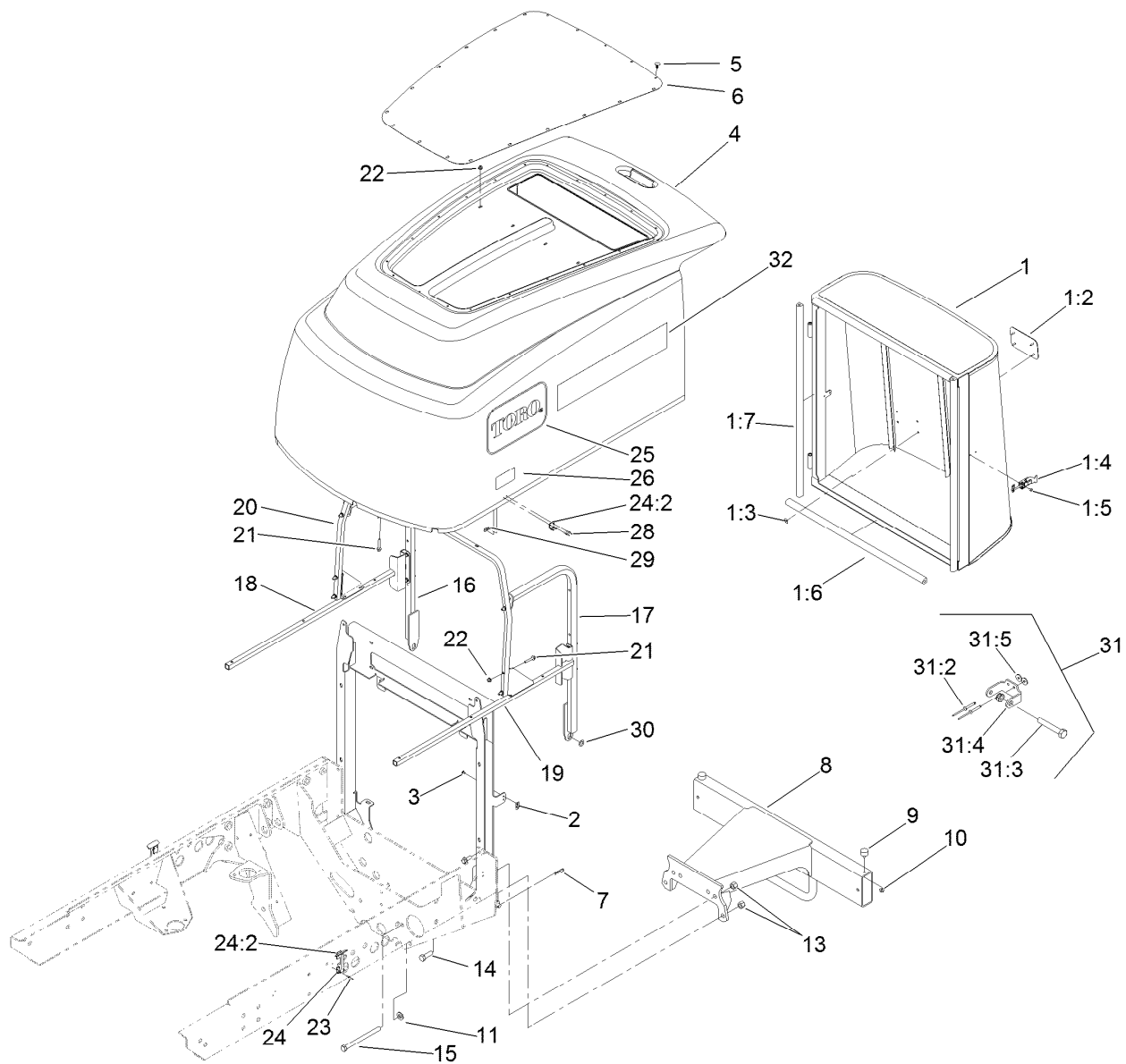
**TTH:** torx truss head

# Contents

Hood, Screen and Bumper Assembly	5
Steering and Brake Control Assembly	6
Steering Tilt Column Assembly No. 106-3622	8
Steering Valve Assembly No. 114-8119	9
Traction Pedal Assembly	10
Seat Mounting Assembly	11
Air Ride Seat Suspension Assembly No. 108-1488	12
Vinyl Premium Seat Assembly No. 117-5676	14
Console and Control Arm Assembly	15
Hydraulic Tank Assembly	17
Fuel Tank Assembly	18
Front Wheel, Brake and Hydraulic Drive Assembly	19
Planetary Assembly No. 105-4500	20
Brake Assembly No. 100-3069	21
Brake Assembly No. 100-3070	22
Piston Motor Assembly No. 105-1218	23
Fan Plumbing Assembly	24
Hydraulic Pump and Plumbing Assembly	25
Piston Pump Assembly No. 114-4188	26
Control Assembly No. 115-4446	28
Four Section Pump Assembly No. 114-4189	29
Radiator Assembly	30
Fan and Motor Assembly	32
Hydraulic Motor Assembly No. 117-4769	33
Engine Mounting and Exhaust Assembly	34
Rear Axle Assembly	35
Bevel Pinion Shaft Assembly Rear Axle Assembly No. 110-4750	37
Differential Assembly Rear Axle Assembly No. 110-4750	38
Axle Support Assembly Rear Axle Assembly No. 110-4750	39
Bevel Gear Case Assembly Rear Axle Assembly No. 110-4750	40
Bevel Gear Shaft Assembly Rear Axle Assembly No. 110-4750	41
Axle Case Assembly Rear Axle Assembly No. 110-4750	42
Axle Assembly Rear Axle Assembly No. 110-4750	43
Piston Motor Assembly No. 105-1219	44
Steer Cylinder Assembly No. 119-3903	45
Flywheel Coupler Assembly	46
Electrical Assembly	47
Battery Storage Box Assembly No. 115-9100	49
Storage Box Assembly No. 115-9101	50
Front Lift Arm Assembly	51
Hydraulic Cylinder Assembly No. 125-1660	53
Hydraulic Cylinder Assembly No. 125-1658	54
Air Cleaner and Fan Manifold Assembly	55
Fan Drive Manifold Assembly No. 119-3943	56
Air Cleaner Assembly No. 99-5410	57
No. 2 and 3 Lift Arm Assembly	58
Hydraulic Cylinder Assembly No. 125-1659	60
No. 2 and 3 Hydraulic Hose Assembly	61
No. 1, 4 and 5 Hydraulic Hose Assembly	62
Gear Motor Assembly No. 115-8250	63
Frame and Roll-Over Protection Assembly	64
Front Frame Assembly No. 119-3872	65
Front Shroud and Work Light Assembly	66
Mow and Lift Manifold Assembly	67

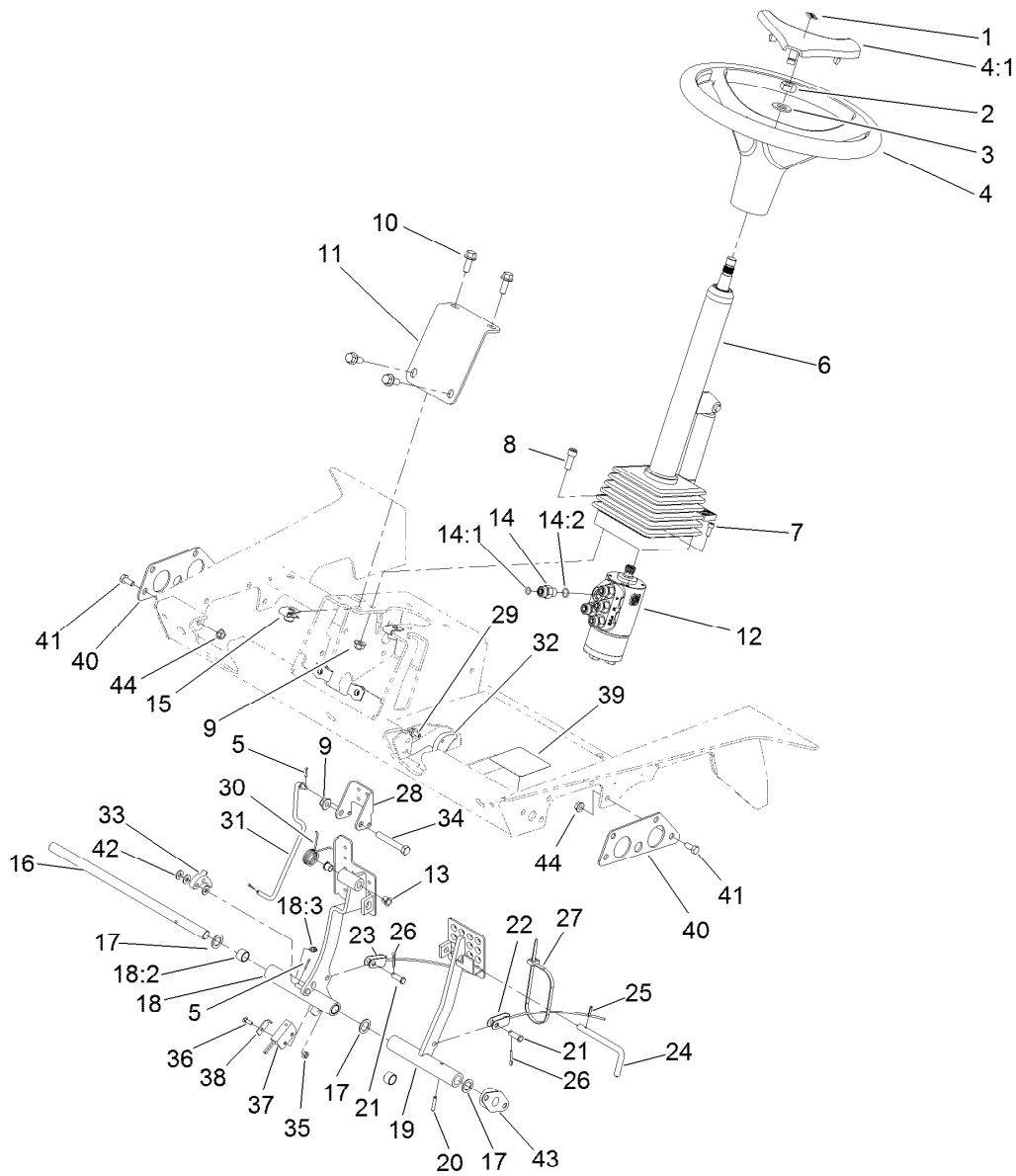
# Contents (continued)

Mow Manifold Assembly No. 119-1461 .....	68
Manifold Mow Block Assembly .....	69
Lift Manifold Assembly No. 119-1463 .....	70
5 Plex Lift Manifold Assembly .....	71
4WD and Filter Assembly .....	72
Filter Manifold Assembly No. 119-3893 .....	73
Filter Manifold Block Assembly .....	74
4 Wheel Drive Manifold Block Assembly No. 119-3940 .....	75
4-Wheel Drive Manifold Assembly .....	76
Junction Manifold Assembly No. 119-3877 .....	77
Juction Manifold Assembly .....	78
Traction Hydraulic Line Assembly .....	79
Steering Hydraulic Line Assembly .....	81
Hydraulic Line Assembly .....	82
Hydraulic Line Assembly 2 .....	83
Crankcase Assembly .....	84
Oil Pan Assembly .....	85
Cylinder Head Assembly .....	86
Gear Case Assembly .....	87
Cylinder Head Cover Assembly .....	88
Oil Pump Assembly .....	89
Dipstick and Guide Assembly .....	90
Main Bearing Case Assembly .....	91
Cam Shaft and Idle Gear Assembly .....	92
Piston and Crankshaft Assembly .....	93
Flywheel Assembly .....	94
Fuel Camshaft and Governor Shaft Assembly .....	95
Idle Apparatus and Stop Solenoid Assembly .....	96
Injection Pump Assembly .....	97
Governor Assembly .....	98
Speed Control Plate Assembly .....	99
Nozzle Holder and Glow Plug Assembly .....	100
Alternator and Pulley Assembly .....	101
Alternator Component Part Assembly .....	102
Starter Assembly .....	103
Starter Components Assembly .....	104
Water Flange and Thermostat Assembly .....	105
Water Pump Assembly .....	106
Valve and Rocker Arm Assembly .....	107
Inlet and Exhaust Manifold Assembly .....	108
Muffler Gasket and Operator Manual .....	109
Attachments and Accessories .....	110



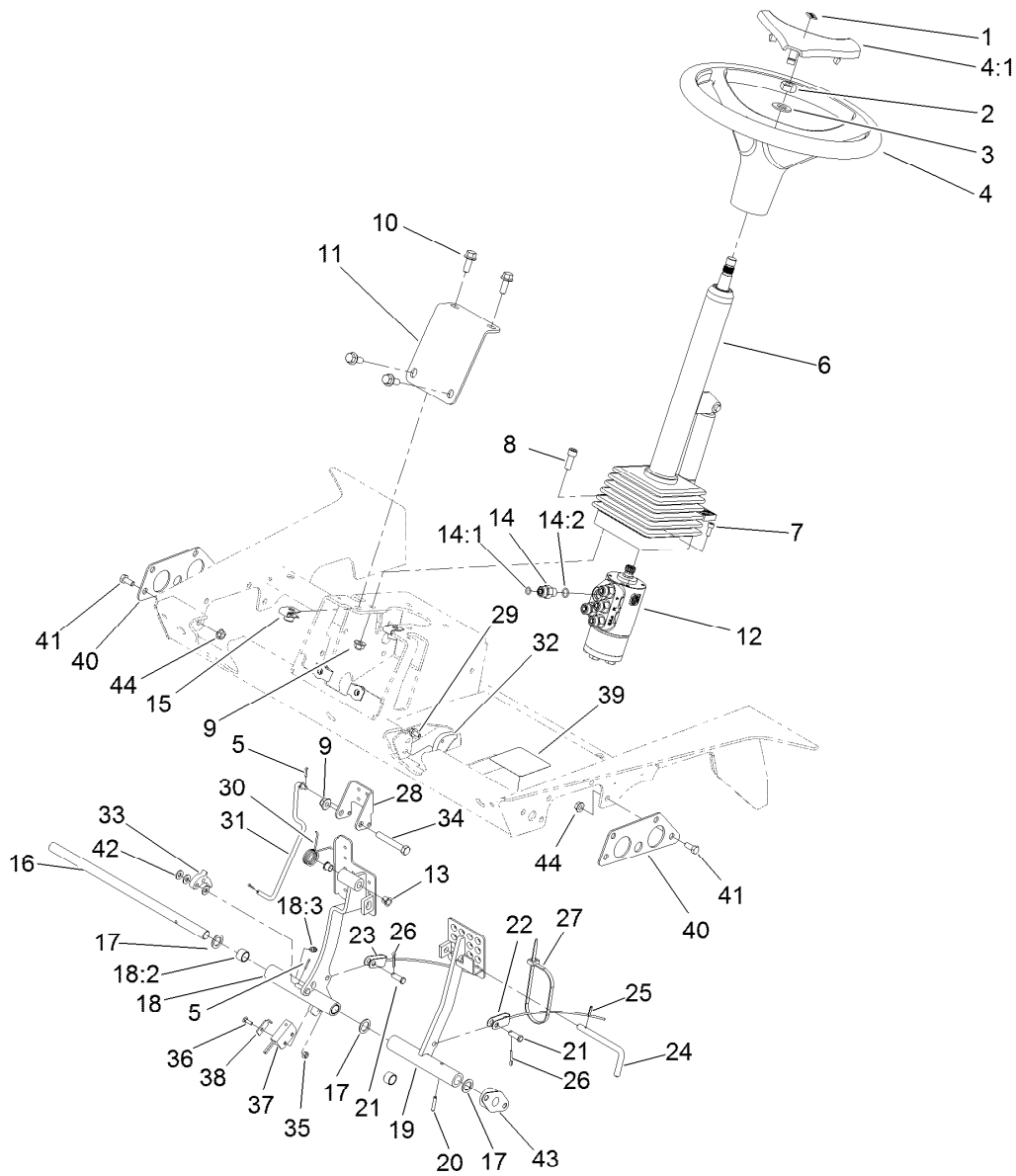
## Hood, Screen and Bumper Assembly

Ref.	Part Number	Qty.	Description	Ref.	Part Number	Qty.	Description
1	115-4362	1	Screen ASM	17	114-8109-03	1	Tube-LH
1:2	93-6028	1	Plate-Logo	18	117-2358-03	1	Tube-Hood, RH
1:3	94-2638	4	Nut-Tinnerman	19	114-8102-03	1	Tube
1:4	114-8117	1	Latch-Adjustable	20	115-9118-03	1	Tube-Frame, Hood
1:5	3269-3	2	Rivet-Pop	21	94-5781	26	Screw-HHF
1:6	115-4358	2	Seal-Bulb	22	104-7201	26	Nut-HF
1:7	115-4359	2	Seal-Bulb	23	3290-55	4	Rivet-Pop
2	115-4357	1	Latch-Keeper	24	59-9740	2	Flex Draw Latch ASM
3	3269-3	2	Rivet-Pop	24:2	249-40	1	Keeper
4	119-3883	1	Hood ASM	25	66-1210	2	Decal
5	117-2382	20	Plug-Plastic	26	106-6754	2	Decal-Danger
6	114-4192-03	1	Screen-Hood	28	3269-17	4	Rivet-Pop
7	3290-467	2	Pin-Hair	29	3269-10	4	Washer-Back
8	120-8020-03	1	Bumper-Rear	30	98-1629	2	Washer
9	240-14	2	Bumper-Rubber	31	119-2004	1	Ce Latch Kit
10	32128-33	2	Nut-HF	31:2	107-0333	2	Rivet-Pop
11	3256-26	2	Washer-Flat	31:3	322-10	1	Screw-HH
13	3296-23	4	Nut-Lock, NI	31:4	3296-47	1	Nut-Lock, NI
14	325-6	2	Screw-HH	31:5	3269-10	2	Washer-Back
15	325-33	2	Screw-HH	32	119-3942	2	Decal
16	114-8108-03	1	Tube-RH				



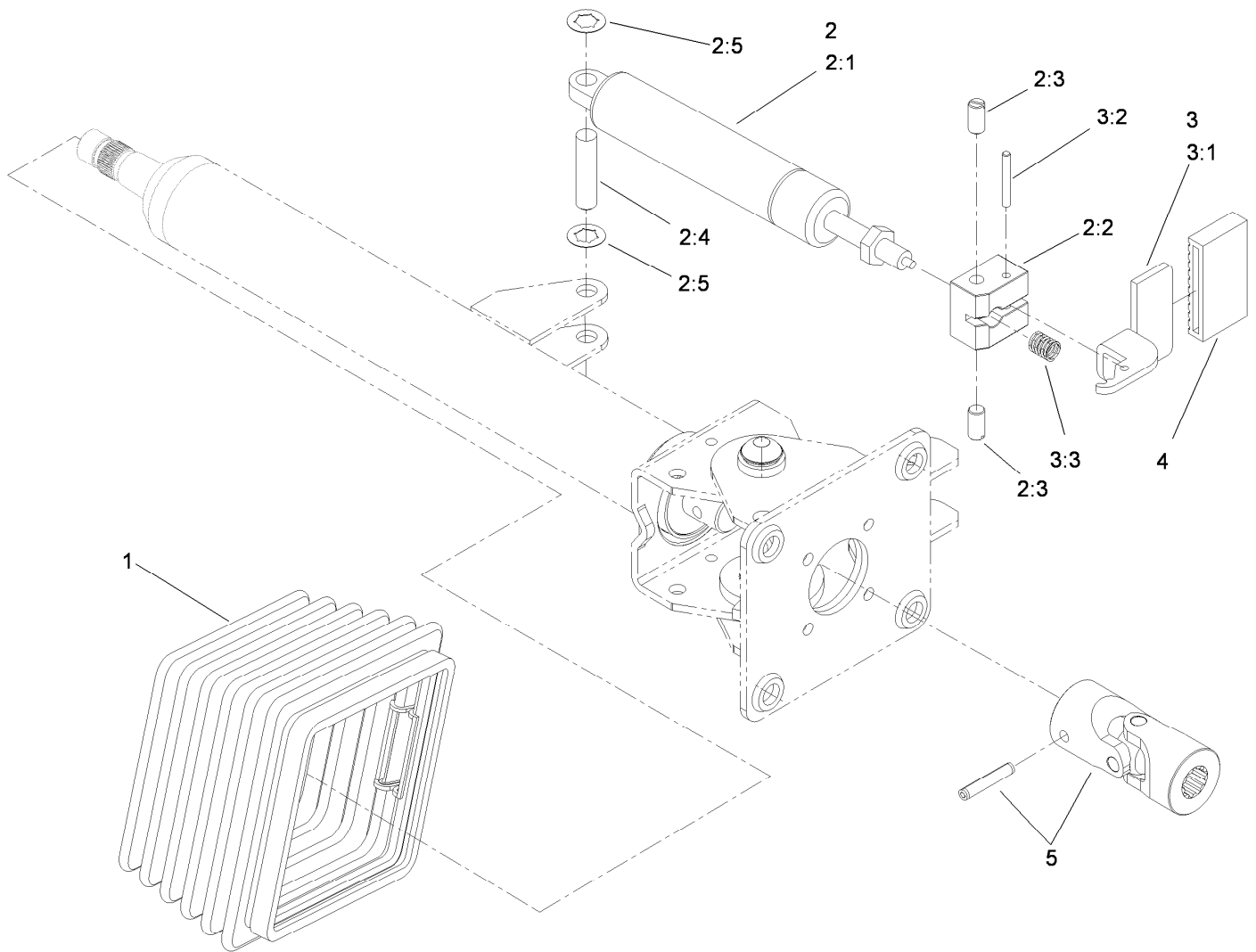
## Steering and Brake Control Assembly

Ref.	Part Number	Qty.	Description	Ref.	Part Number	Qty.	Description
1	98-1459	1	Decal	18:2	256-42	2	Bushing
2	3296-33	1	Nut-Lock, NI	18:3	302-5	1	Fitting-Grease
3	3256-27	1	Washer-Flat	19	115-4421-03	1	Pedal-Brake, LH
4	98-1471	1	Wheel-Steering	20	32121-16	1	Pin-Spring
4:1	98-1468	1	Cover-Wheel, Steering	21	283-58	2	Pin-Clevis
5	3272-5	3	Pin-Cotter	22	92-7530	1	Cable-Brake, LH
6	106-3622	1	Steering Tilt Column ASM	23	92-7529	1	Cable-Brake, RH
7	105-2409	4	Screw-HSH	24	63-7880	1	Pin-Latch, Brake
8	3274-7	4	Screw-HSH	25	32121-50	1	Pin-Spring
9	104-8301	5	Nut-Flange, NI	26	3272-10	2	Pin-Cotter
10	3234-11	4	Screw-HHF	27	3290-378	1	Tie-Cable
11	115-4379-01	1	Brace-Column	28	99-7963-03	1	Pedal-Park
12	114-8119	1	Steering Valve ASM	29	3234-13	2	Screw-HHF
13	52-2891	2	Bushing-Flanged, Nylon	30	99-7140	1	Spring-Torsion
14	340-2	5	Fitting-HYD, Straight	31	115-4417	1	Rod-Brake Pawl
14:1	237-22	1	O-Ring	32	119-0002	1	Pawl-Brake
14:2	237-42	1	O-Ring	33	120-1691	1	Detent-Brake
15	105-4886	4	Nut-Tinnerman	34	323-12	1	Screw-HH
16	75-1470	1	Pin-Pivot, Brake	35	3296-2	1	Nut-Lock, NI
17	3256-69	3	Washer-Flat	36	3229-34	1	Screw-CARR
18	119-0005	1	RH Brake Pedal ASM	37	100-1270	1	Switch-Proximity



## Steering and Brake Control Assembly (continued)

<i>Ref.</i>	<i>Part Number</i>	<i>Qty.</i>	<i>Description</i>	<i>Ref.</i>	<i>Part Number</i>	<i>Qty.</i>	<i>Description</i>
38	100-4872	1	Plate-Switch, Neutral	42	3256-22	3	Washer-Flat
39	117-4763	1	Decal-Brake	43	256-236	2	Bearing-Mount, Flange
40	106-7794-01	2	Plate-Mount, HYD Fitting	44	32128-20	3	Nut-HF
41	322-3	3	Screw-HH				

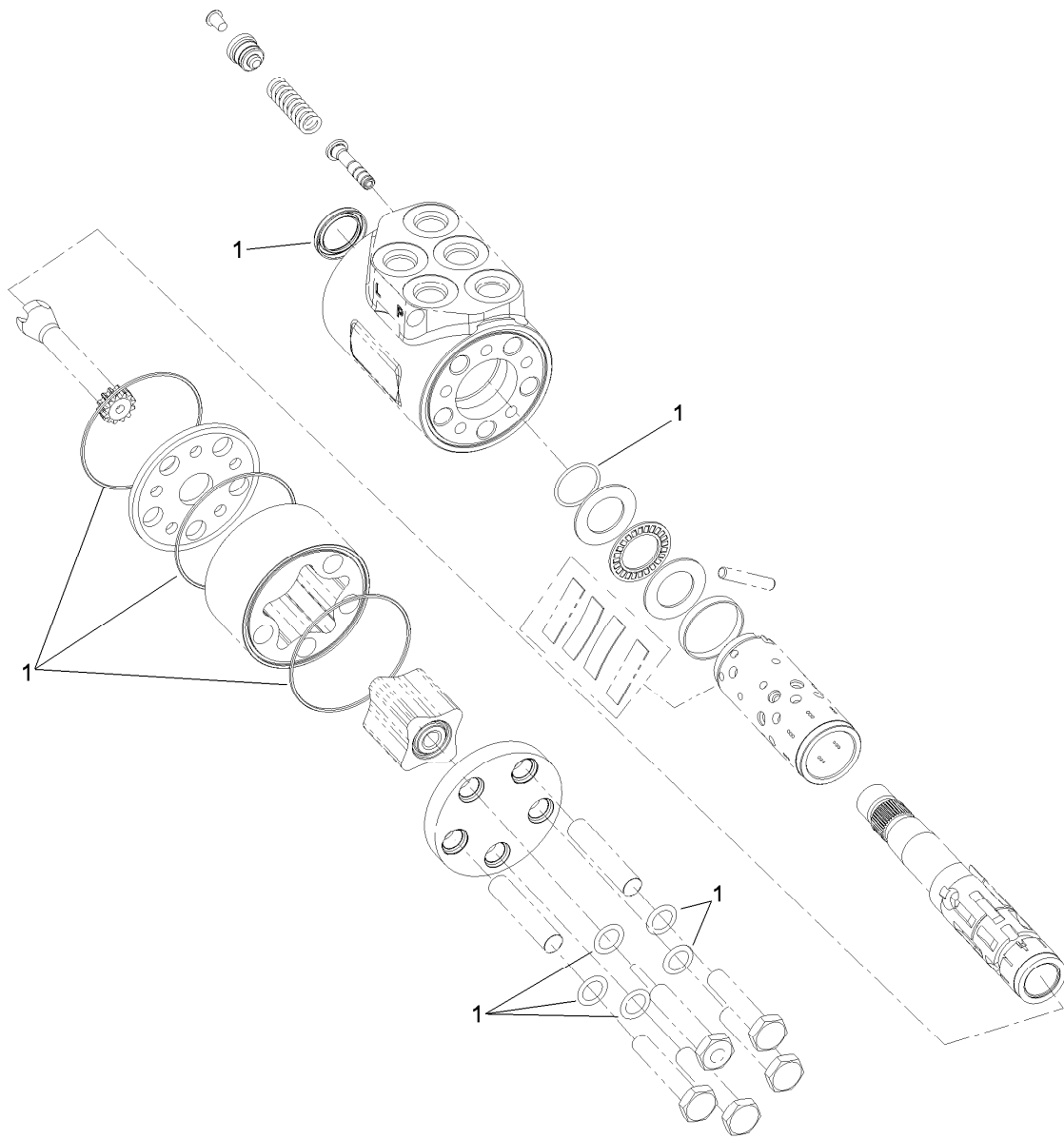


## Steering Tilt Column Assembly No. 106-3622

Ref.	Part Number	Qty.	Description
1	110-6462	1	Bellows-Rubber
2	110-6463	1	Cylinder Service Kit
2:1		1	Cylinder-Gas ●
2:2		1	Block-Pedal ●
2:3		2	Bolt ●
2:4		1	Pin ●
2:5		2	Washer-Lock ●
3	110-6464	1	Pedal Service Kit
3:1		1	Pedal ●
3:2		1	Pin ●
3:3		1	Spring ●
4	110-6465	1	Cover-Pedal
5	120-6256	1	Universal Joint Kit

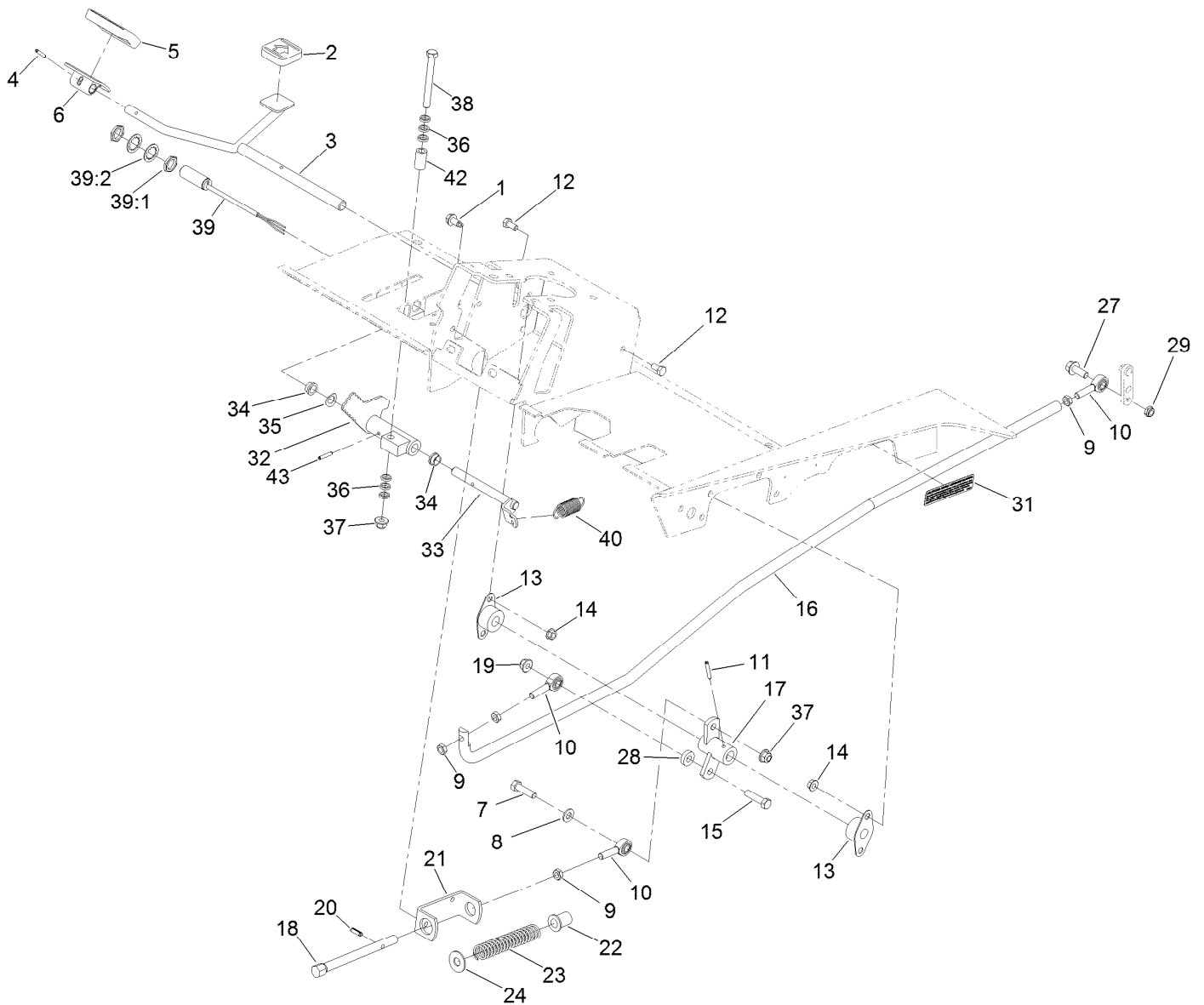
● Not serviced separately





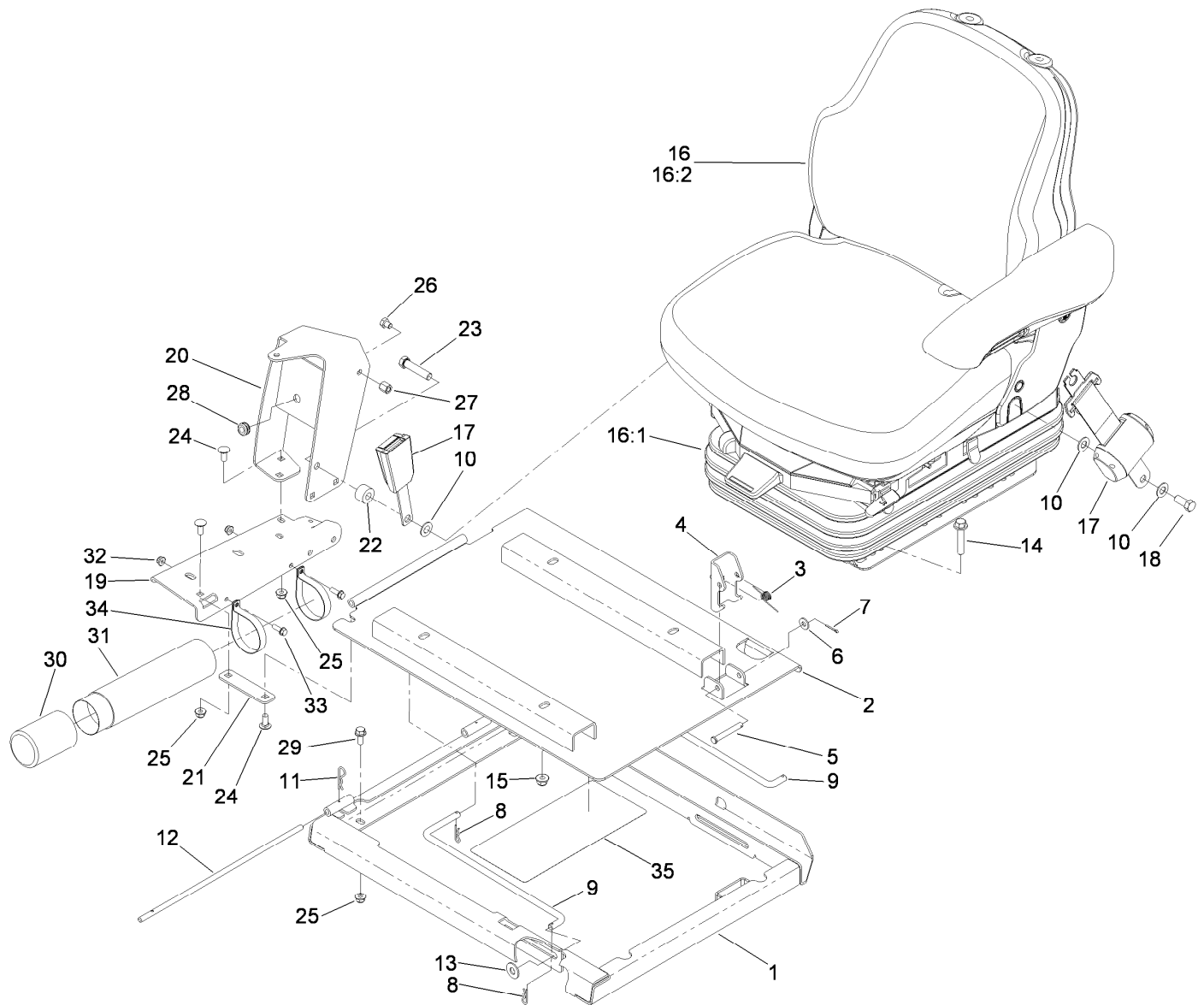
## Steering Valve Assembly No. 114-8119

<i>Ref.</i>	<i>Part Number</i>	<i>Qty.</i>	<i>Description</i>
1	106-6716	1	Seal Kit



## Traction Pedal Assembly

Ref.	Part Number	Qty.	Description	Ref.	Part Number	Qty.	Description
1	32104-32	2	Screw-HWH	22	92-7610	1	Retainer-Spring
2	74-9110	1	Pad-Pedal, Reverse	23	84-9100	1	Spring
3	75-2970	1	Pedal-Traction	24	3256-5	1	Washer-Flat
4	32121-45	1	Pin-Spring	27	3234-11	1	Screw-HHF
5	74-9100	1	Pad-Pedal, Forward	28	5-0652	1	Spacer
6	117-9507	1	Pedal-Accelerator	29	3296-59	1	Nut-Lock, NI
7	323-29	1	Screw-HH	31	117-2718	1	Decal-Arrester, Spark
8	3256-24	1	Washer-Flat	32	117-0216	1	Stop-Mow
9	3220-3	4	Nut-HJ	33	106-3731	1	Rod-Pivot
10	2411-36	3	Bearing-End, Rod	34	256-156	2	Bushing-Flange
11	32121-6	1	Pin-Roll, Slotted	35	110-8982	1	Washer-Spring
12	322-2	4	Screw-HH	36	62-4420	6	Washer
13	256-236	2	Bearing-Mount, Flange	37	104-8301	2	Nut-Flange, NI
14	32128-20	4	Nut-HF	38	323-15	1	Screw-HH
15	323-8	1	Screw-HH	39	115-5300	1	Proximity Switch ASM
16	117-4794-03	1	Rod-Traction	39:1	117-3207	2	Nut-Hex
17	115-4380-03	1	Hub-Pivot, Traction	39:2	117-3208	2	Washer-Lock, Internal Tooth
18	115-4383	1	Shaft-Spring	40	92-7305	1	Spring-Extension
19	104-8301	2	Nut-Flange, NI	42	110-4631	1	Tube-Spacer
20	32121-11	1	Pin-Roll	43	32121-16	1	Pin-Spring
21	92-7608-03	1	Bracket-Spring				

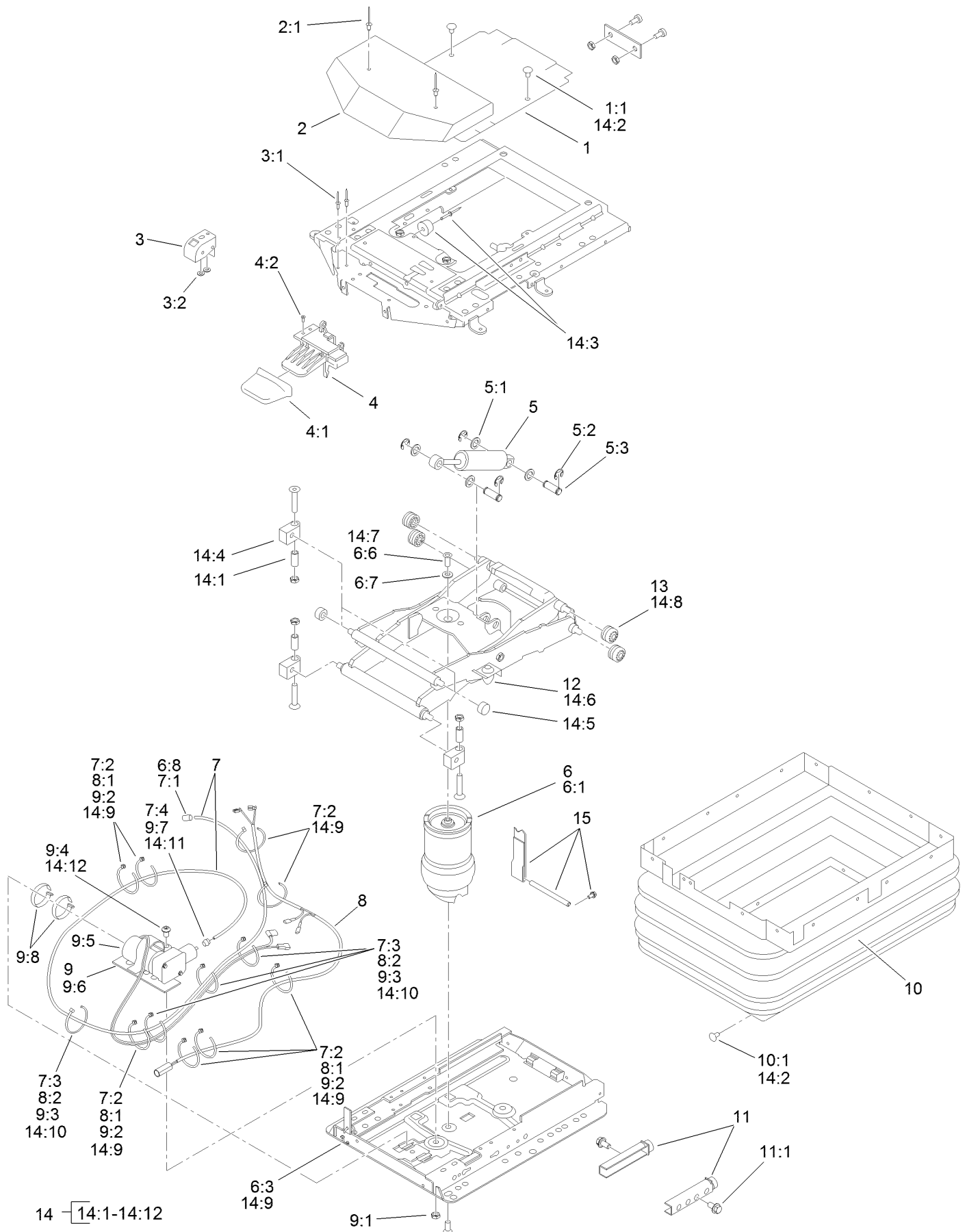


## Seat Mounting Assembly

Ref.	Part Number	Qty.	Description	Ref.	Part Number	Qty.	Description
1	115-4400-03	1	Frame-Seat	17	110-0413	1	Seatbelt-Retractable
2	115-4411-03	1	Plate-Seat	18	3212-4	1	Screw-HH
3	104-4821	1	Spring-Torsion	19	119-0000-03	1	Channel-Support
4	115-4423-03	1	Latch-Seat Plate	20	117-4798-03	1	Arm-Support
5	110-0618	1	Pin-Clevis	21	112-7449-03	1	Bracket-Support
6	3256-2	1	Washer-Flat	22	17-7190	1	Spacer-Finger
7	3272-6	1	Pin-Cotter	23	3212-8	1	Screw-HH
8	3290-307	4	Pin-Hair	24	3230-23	6	Screw-CARR
9	117-4797-03	2	Rod-Seat Frame	25	104-8300	10	Nut-Flange, NI
10	3256-25	3	Washer-Flat	26	108-8646	1	Screw-HH, Lock
11	3290-467	1	Pin-Hair	27	112-7405	1	Nut-Hex, Coupling
12	75-3400	1	Shaft-Pivot, Seat	28	237-136	1	Grommet
13	3256-4	2	Washer-Flat	29	3234-47	4	Screw-HHF
14	66-9302	4	Screw-HHF, Whiz	30	104-7048	1	Cap-Housing
15	104-8301	4	Nut-Flange, NI	31	104-7050	1	Tube-Manual
16		1	Seat And Suspension ASM	32	104-7201	2	Nut-HF
16:1	108-1488	1	Seat Suspension ASM	33	32105-15	2	Screw-HWH
16:2	117-5676	1	Premium Seat ASM	34	107-1865	2	R-Clamp
			●	35	120-1681	1	Decal-Reel Speed, 7 Inch

● Not serviced separately

# Air Ride Seat Suspension Assembly No. 108-1488

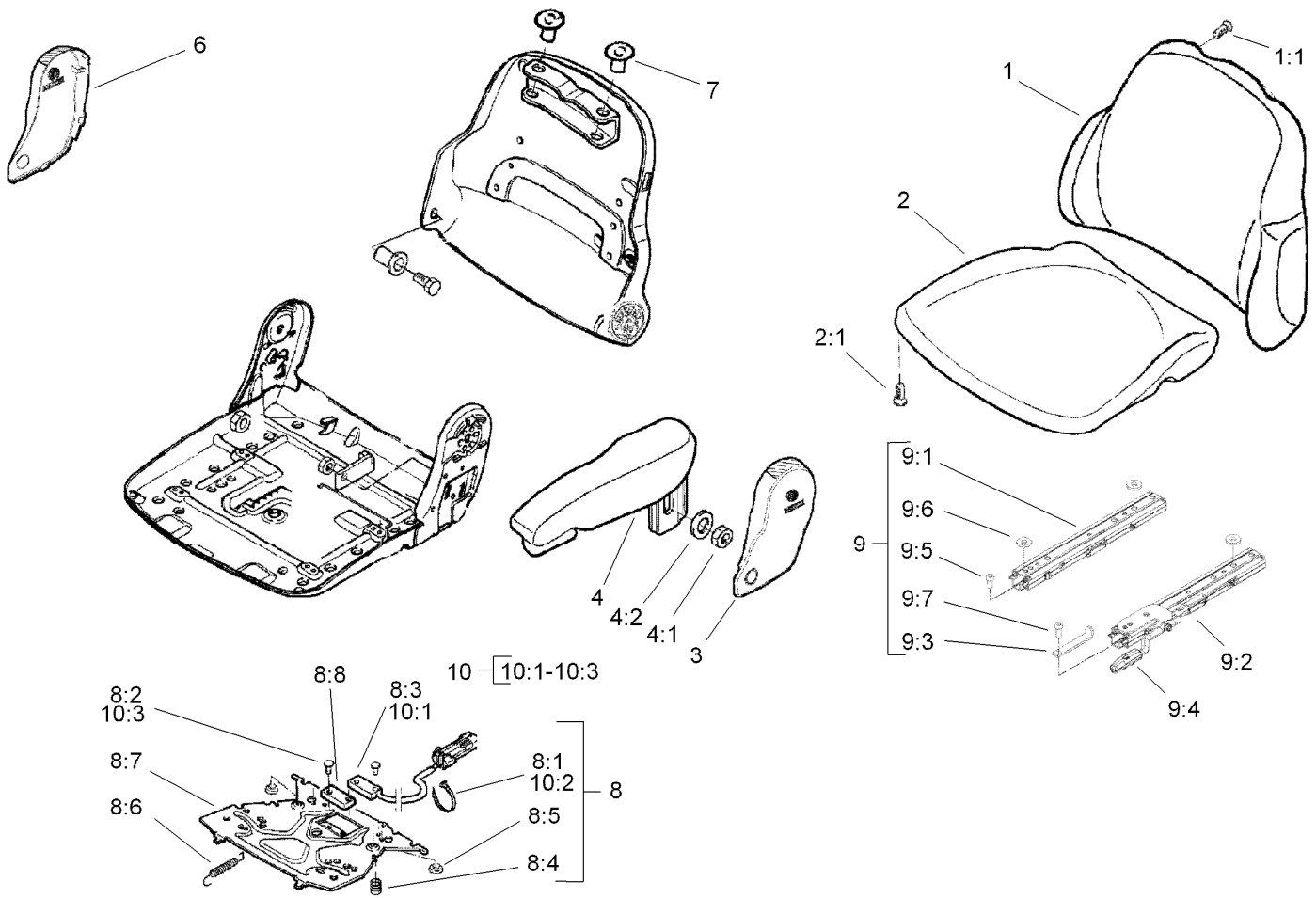


# Air Ride Seat Suspension Assembly No. 108-1488 (continued)

<i>Ref.</i>	<i>Part Number</i>	<i>Qty.</i>	<i>Description</i>	<i>Ref.</i>	<i>Part Number</i>	<i>Qty.</i>	<i>Description</i>
1	108-8026	1	Cover ASM	9:1		1	Nut ■
1:1	39-5710	2	Plug-Plastic	9:2		5	Tie-Wire ■
2	108-8027	1	Cover ASM	9:3		4	Tie-Wire ■
2:1		2	Rivet ■	9:4		1	Screw ■
3	108-8028	1	Level Indicator Kit	9:5		1	Compressor ■
3:1		2	Rivet ■	9:6		1	Plate-Mounting ■
3:2		2	Washer ■	9:7		1	Nipple-Hose ■
4	108-8029	1	Air Control Valve ASM	9:8		2	Clamp ■
4:1		1	Handle ■	10	108-8035	1	Bellows ASM
4:2		3	Screw ■	10:1	39-5710	23	Plug-Plastic
5	108-8030	1	Shock Absorber Kit	11	108-8036	1	Stop Kit
5:1		4	Washer ■	11:1		2	Screw ■
5:2		4	C-Clip ■	12	107-1213	2	Bumper Set
5:3		2	Pin ■	13	108-8037	4	Roller
6	108-8031	1	Air Spring Kit	14	108-8038	1	Wear Parts Kit ●
6:1		1	Air Spring ■	14:1		4	Spacer ■
6:3		2	Cable Tie ■	14:2	39-5710	2	Plug-Plastic
6:6		2	Screw ■	14:3		1	Bumper ■
6:7		1	Washer ■	14:4		4	Support-Housing ■
6:8		1	Nipple-Hose ■	14:5		2	Roller ■
7	108-8032	1	Air Tube ASM	14:6	107-1213	2	Bumper Set
7:1		1	Nipple-Hose ■	14:7		2	Screw ■
7:2		7	Tie-Wire ■	14:8	108-8037	4	Roller
7:3		4	Tie-Wire ■	14:9		9	Tie-Wire ■
7:4		1	Nipple-Hose ■	14:10		4	Tie-Wire ■
8	108-8033	1	Connecting Cable ASM	14:11		1	Nipple-Hose ■
8:1		8	Tie-Wire ■	14:12		1	Screw ■
8:2		4	Tie-Wire ■	15	119-2161	1	Tether Kit
9	108-8034	1	Compressor Kit				

● Not illustrated

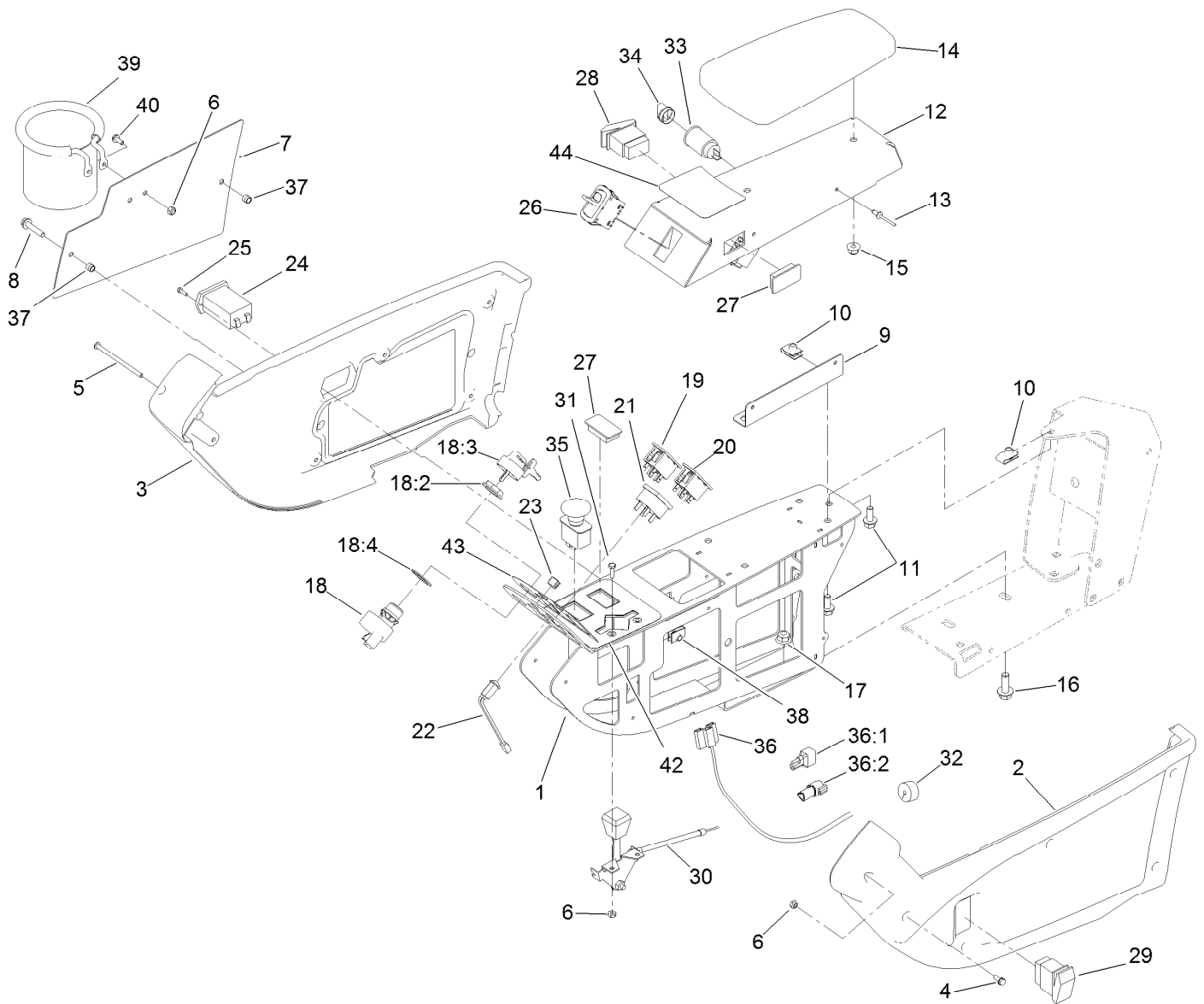
■ Not serviced separately



## Vinyl Premium Seat Assembly No. 117-5676

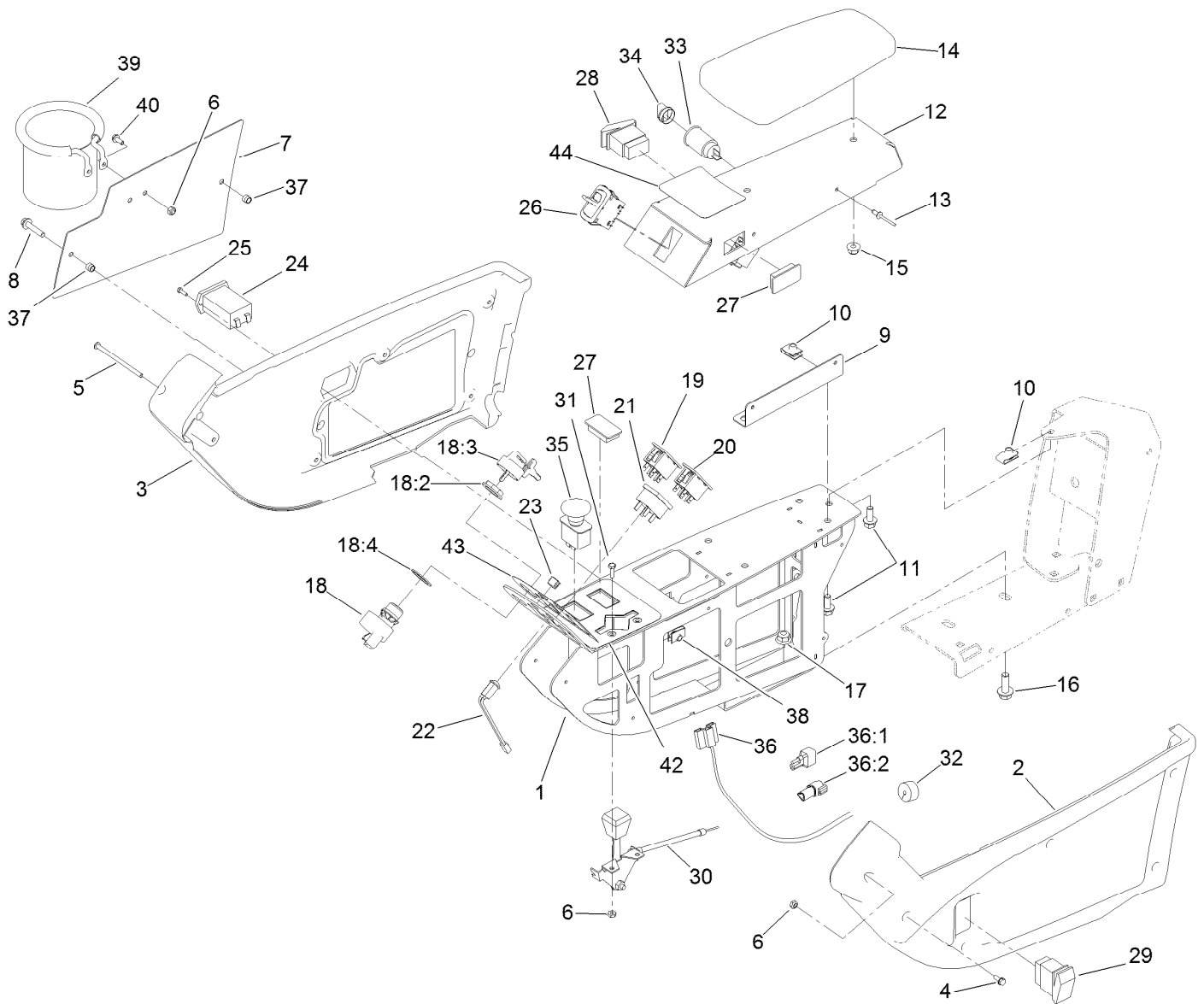
Ref.	Part Number	Qty.	Description	Ref.	Part Number	Qty.	Description
1	108-8016	1	Backrest Cushion ASM	8:6		1	Spring-Extension ●
1:1	119-7742	4	Screw-Cushion	8:7		1	Plate-Mounting ●
2	108-8017	1	Seat Cushion ASM	8:8		1	Magnet ●
2:1	119-7742	3	Screw-Cushion	9	108-8025	1	Adjustment Rail Set
3	108-8018	1	Cover-Armrest	9:1		1	Rail-Adjustment, RH ●
4	108-8019	1	LH Armrest ASM	9:2		1	Rail-Adjustment, LH ●
4:1	82-9650	1	Nut	9:3		1	Stop-Rail ●
4:2	107-1198	1	Washer	9:4		1	Handle ●
6	108-8021	1	Cover-Armrest	9:5		3	Screw ●
7	108-8022	2	Cover-Black	9:6		3	Washer ●
8	108-8024	1	Switch Kit	9:7		1	Screw ●
8:1		3	Wire Tie ●	10	110-6189	1	Switch Kit
8:2		4	Rivet ●	10:1		1	Switch ●
8:3		1	Sensor-Seat Switch ●	10:2		3	Wire Tie ●
8:4		2	Spring-Compression ●	10:3		2	Rivet ●
8:5		2	Bumper-Pressure Plate ●				

● Not serviced separately



## Console and Control Arm Assembly

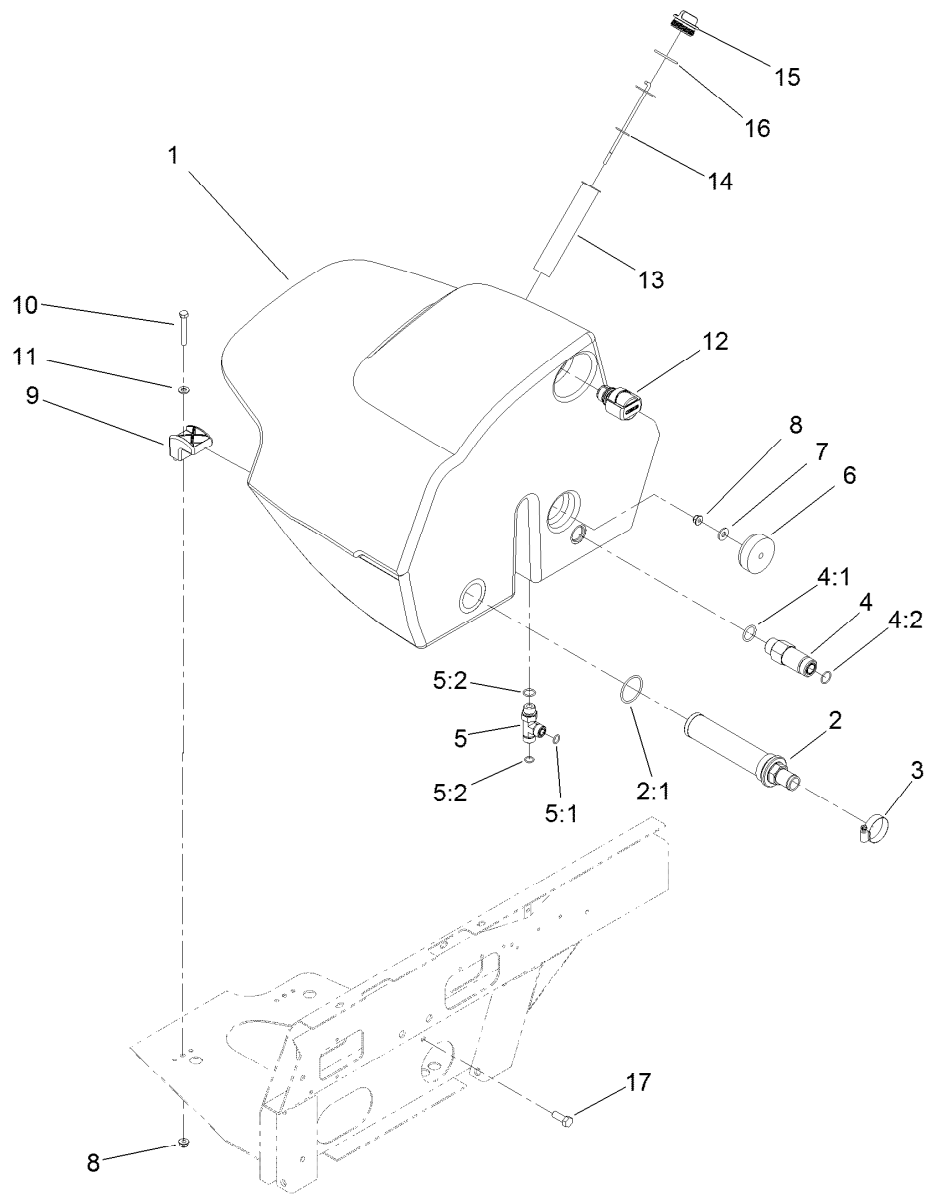
Ref.	Part Number	Qty.	Description	Ref.	Part Number	Qty.	Description
1	115-4430-03	1	Frame-Arm, Control	19	100-8070	1	Lamp-Warning
2	108-7604	1	Cover-LH	20	100-8071	1	Lamp-Warning
3	108-7605	1	Cover-RH	21	110-0941	1	Gauge-Temperature
4	32144-112	10	Screw-HWH	22	95-7652	1	Light-Indicator
5	3250-22	1	Screw-PPH	23	2410-64	1	Plug-Button
6	3296-2	5	Nut-Lock, NI	24	75-6820	1	Hourmeter
7	115-8849-03	1	Plate-Cover	25	32144-18	2	Screw-HWH
8	3234-21	2	Screw-HHF	26	114-3316	1	Switch-Paddle
9	112-7404	1	Angle-Mounting	27	99-7420	2	Plug-Hole
10	94-2413	5	U-Nut	28	106-2027	1	Switch-Intermittent
11	3234-5	5	Screw-HHF	29	95-8999	1	Switch
12	120-1685-03	1	Panel-Control ASM	30	115-9117	1	Cable-Throttle
13	3290-409	2	Rivet	31	3290-134	2	Screw
14	108-7602	1	Rest-Arm	32	110-8911	1	Seal-Foam
15	104-8300	2	Nut-Flange, NI	33	99-7411	1	Point-Power
16	3234-42	2	Screw-HHF	34	99-7416	1	Cap
17	104-8301	2	Nut-Flange, NI	35	93-9999	1	Switch-PTO
18	106-5269	1	Ignition Switch ASM	36	119-1301	1	Harness-Wire, Seat And Console
18:2	108-8660	1	Nut-Mounting	36:1	104-4022	1	Resistor-75 Ohm
18:3	106-5270	1	Ignition Key Set	36:2	32180-043	1	Resistor-120 Ohm
18:4	108-8659	1	Washer-Backup				



## Console and Control Arm Assembly (continued)

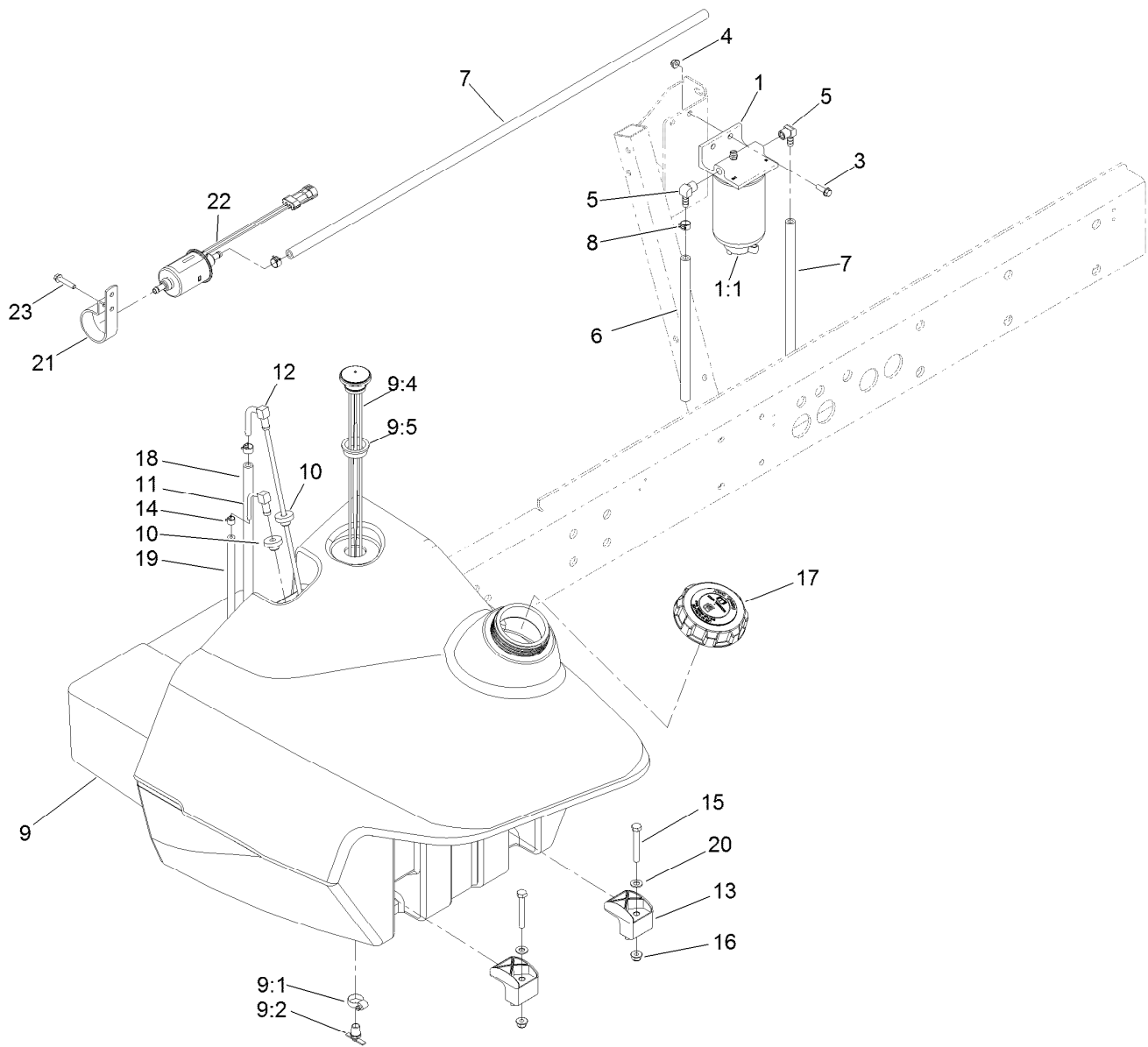
<i>Ref.</i>	<i>Part Number</i>	<i>Qty.</i>	<i>Description</i>	<i>Ref.</i>	<i>Part Number</i>	<i>Qty.</i>	<i>Description</i>
37	110-0542	2	Spacer-Flange	42	119-3884	1	Decal-Console, Lower
38	107069	2	Clip	43	117-2385	1	Decal-Console, Upper
39	117-2378	1	Holder-Bag	44	117-2386	1	Decal-Lift
40	3290-321	2	Screw-HWH				





## Hydraulic Tank Assembly

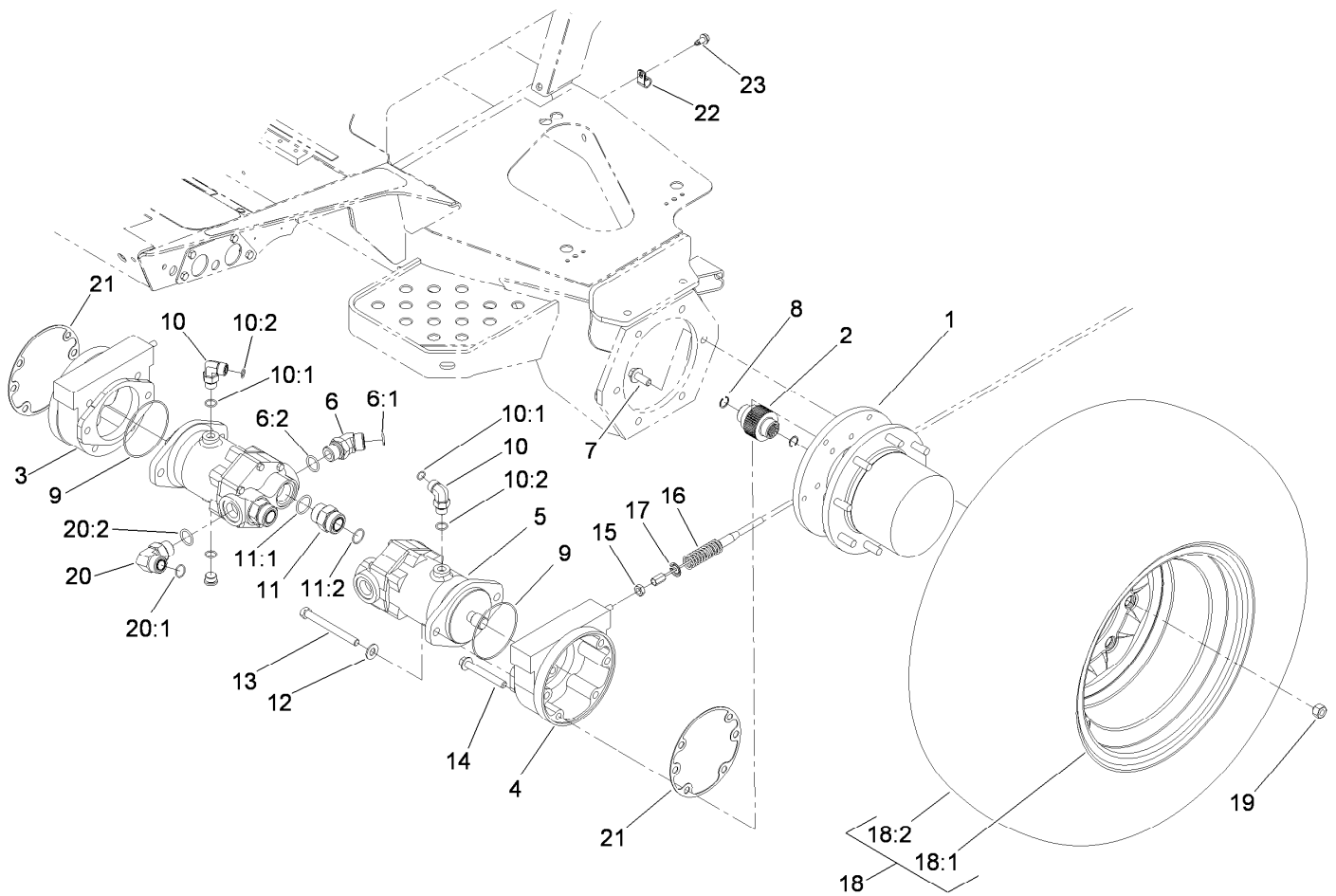
<i>Ref.</i>	<i>Part Number</i>	<i>Qty.</i>	<i>Description</i>	<i>Ref.</i>	<i>Part Number</i>	<i>Qty.</i>	<i>Description</i>
1	119-0017	1	Tank-HYD	7	3256-3	1	Washer-Flat
2	104-7546	1	Tank Strainer ASM	8	104-8300	3	Nut-Flange, NI
2:1	340-136	1	O-Ring	9	107-4543	2	Clamp
3	2412-111	2	Clamp	10	322-11	2	Screw-HH
4	92-6058	1	Fitting-HYD	11	3256-23	2	Washer-Flat
4:1	237-81	1	O-Ring	12	115-9793	1	Breather
4:2	237-58	1	O-Ring	13	61-2790	1	Filter-Screen
5	340-109	1	Fitting-HYD, Tee	14	119-6968	1	Dipstick-Oil
5:1	237-79	1	O-Ring	15	93-7498	1	Plug-Plastic
5:2	237-30	2	O-Ring	16	237-101	1	O-Ring
6	108-1605	1	Bumper-Recess	17	322-5	1	Screw-HH



## Fuel Tank Assembly

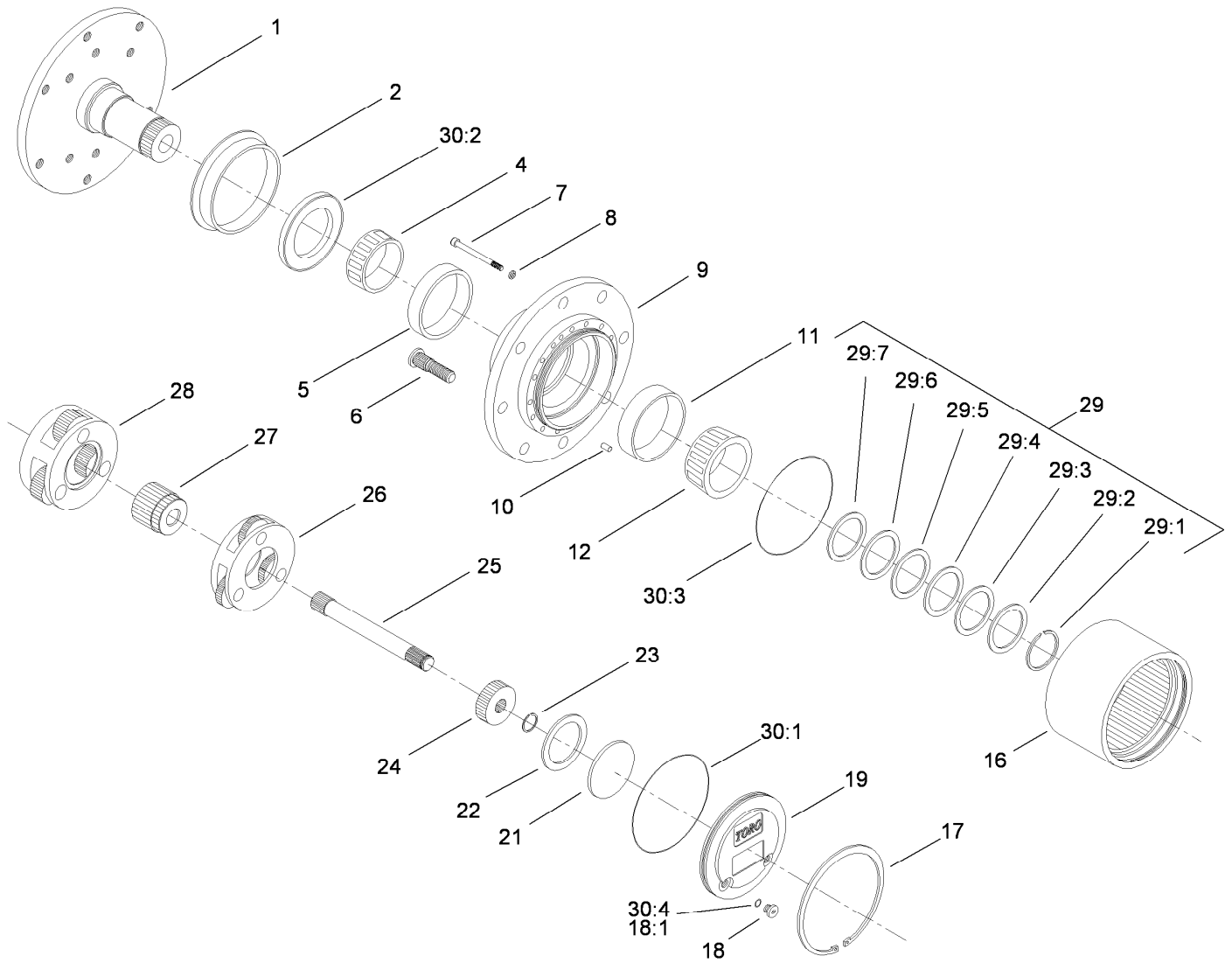
Ref.	Part Number	Qty.	Description
1	110-9044	1	Seperator Filter ASM
1:1	110-9049	1	Filter-Spin On
3	32105-15	2	Screw-HWH
4	104-7201	2	Nut-HF
5	353-781	2	Fitting-Elbow
6	109-0309	1	Hose-Fuel
7	110-3258	1	Hose-Fuel
8	92-2379	6	Clamp-Hose
9	115-4353	1	Fuel Tank ASM
9:1	2412-36	1	Clamp-Hose
9:2	304-46	1	Draincock
9:4	117-4790	1	Guage-Fuel
9:5	95-8972	1	Grommet
10	46-6560	2	Bushing

Ref.	Part Number	Qty.	Description
11	104-5605	1	Fitting-Return
12	115-4354	1	Tube-Suction, Fuel
13	107-4543	2	Clamp
14	2412-80	2	Clamp-Hose
15	322-11	2	Screw-HH
16	104-8300	2	Nut-Flange, NI
17	114-5062	1	Cap-Biodiesel
18	110-3257	1	Hose-Fuel
19	110-0471	1	Hose-Fuel
20	3256-23	2	Washer-Flat
21	110-8817	1	Bracket-Pump, Fuel
22	110-8806	1	Pump-Fuel
23	32144-110	1	Screw-HWH



## Front Wheel, Brake and Hydraulic Drive Assembly

Ref.	Part Number	Qty.	Description	Ref.	Part Number	Qty.	Description
1	105-4500	2	Planetary ASM	12	3256-26	4	Washer-Flat
2	100-3046	2	Shaft-Brake, Splined	13	33116-120	4	Screw-HH
3	100-3069	1	RH Brake ASM	14	33106-090	8	Screw-HHF
4	100-3070	1	LH Brake ASM	15	3218-4	2	Nut-Jam
5	105-1218	2	Piston Motor ASM	16	94-3088	2	Spring-Compression
6	100-5530	2	Fitting-HYD, 45 DEG	17	94-3050	2	Plate-Spring
6:1	237-58	1	O-Ring	18	119-1538	2	Tire And Wheel ASM
6:2	237-81	1	O-Ring	18:1	119-1540	1	Wheel-15 Inch
7	33106-030	12	Screw-HHF	18:2	63-4480	1	Tire
8	93-7972	4	Ring-Retaining, Internal	19	92-7483	16	Nut-Lug
9	237-166	2	O-Ring	20	340-142	2	Fitting-HYD, 90 DEG
10	340-98	2	Fitting-HYD, 90 DEG	20:1	237-58	1	O-Ring
10:1	237-79	1	O-Ring	20:2	237-81	1	O-Ring
10:2	237-30	1	O-Ring	21	93-7984	2	Gasket
11	104-3797	4	Fitting-HYD, Straight	22	2412-93	2	Clamp-R
11:1	237-146	1	O-Ring	23	32104-32	2	Screw-HWH
11:2	340-65	1	O-Ring				

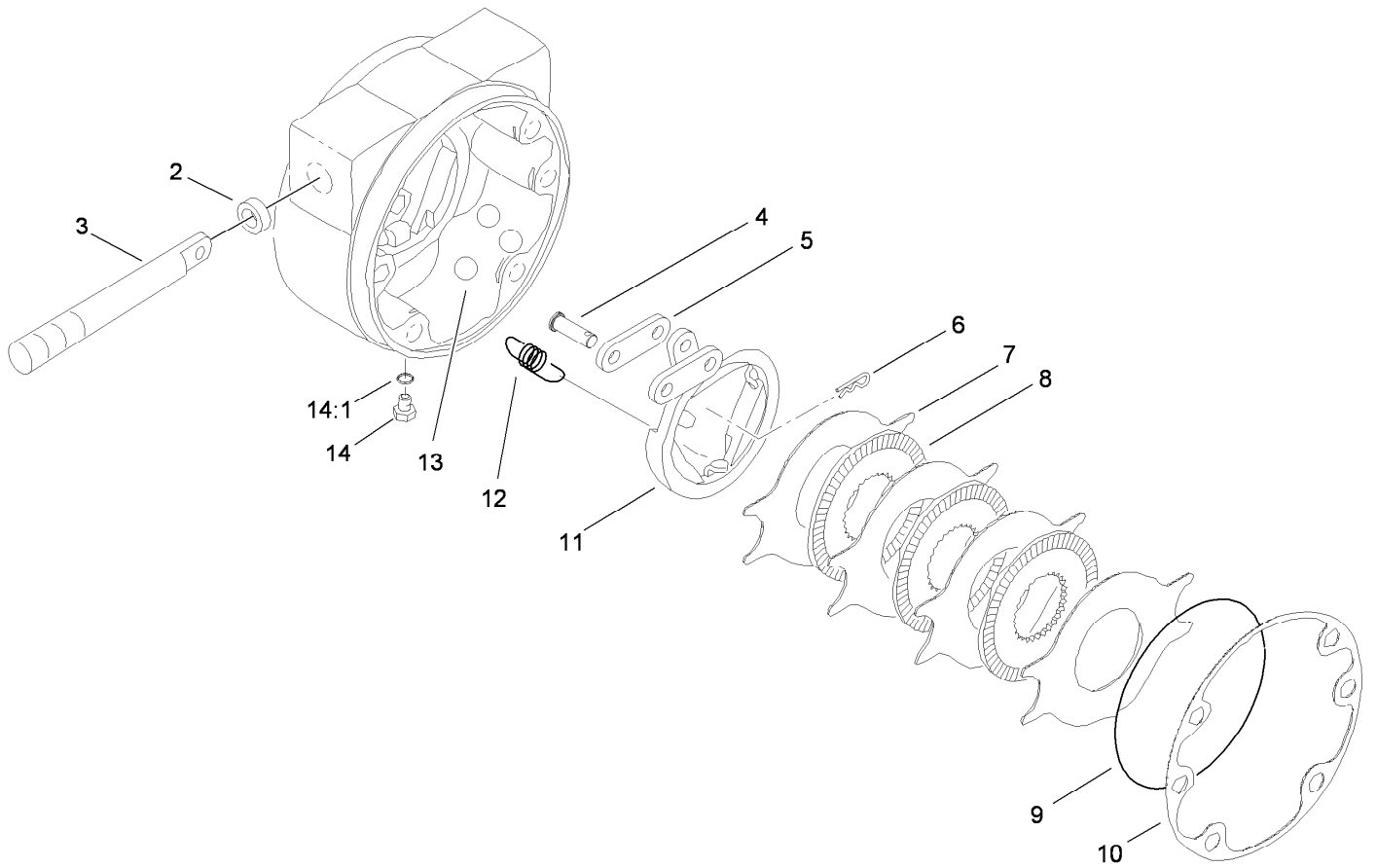


## Planetary Assembly No. 105-4500

Ref.	Part Number	Qty.	Description	Ref.	Part Number	Qty.	Description
1		1	Spindle ■	24	105-8114	1	Gear-Primary
2	105-8122	1	Seal-Boot	25	105-8115	1	Shaft-Drive
4	105-8120	1	Bearing-Cone	26	105-8129	1	Primary Carrier ASM
5	105-8119	1	Bearing-Cup	27	105-8139	1	Gear-Secondary
6	105-8124	8	Stud-Wheel	28	105-8130	1	Secondary Carrier ASM
7	105-8125	16	Bolt-Head, Socket	29	105-8136	1	Shim Kit
8	3253-18	16	Washer-Lock	29:1		1	Ring-Snap ■
9		1	Housing ■	29:2		1	Shim-Bearing, 2.9Mm ■
10	105-8121	1	Pin-Dowel	29:3		1	Shim-Bearing, 2.8Mm ■
11	105-8117	1	Bearing-Cup	29:4		1	Shim-Bearing, 2.7Mm ■
12	105-8118	1	Bearing-Cone	29:5		1	Shim-Bearing, 2.6Mm ■
16	105-8113	1	Gear-Ring	29:6		1	Shim-Bearing, 2.5Mm ■
17	105-8132	1	Ring-Retaining	29:7		1	Shim-Bearing, 2.4Mm ■
18	353-990	2	Plug ASM	30	105-8137	1	Seal Kit ●
18:1	237-78	1	O-Ring	30:1		1	O Ring-Flange Cap ■
19	105-8138	1	Cap-End	30:2		1	Seal-Oil ■
21	105-8133	1	Plug-Thrust	30:3		2	O Ring-End Cap ■
22	105-8123	1	Washer-Thrust	30:4	237-78	2	O-Ring
23	105-8131	1	Ring-Retaining				

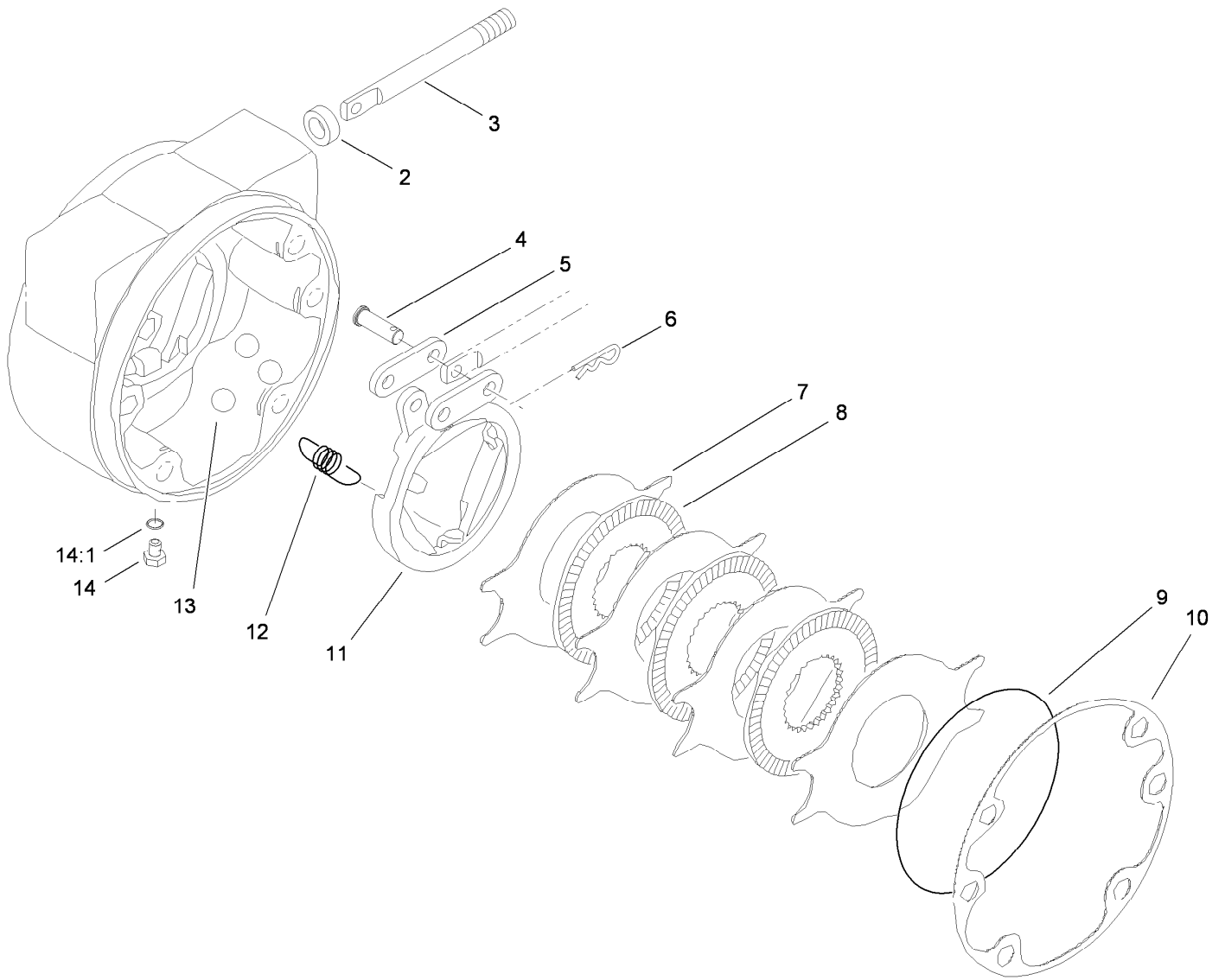
● Not illustrated

■ Not serviced separately



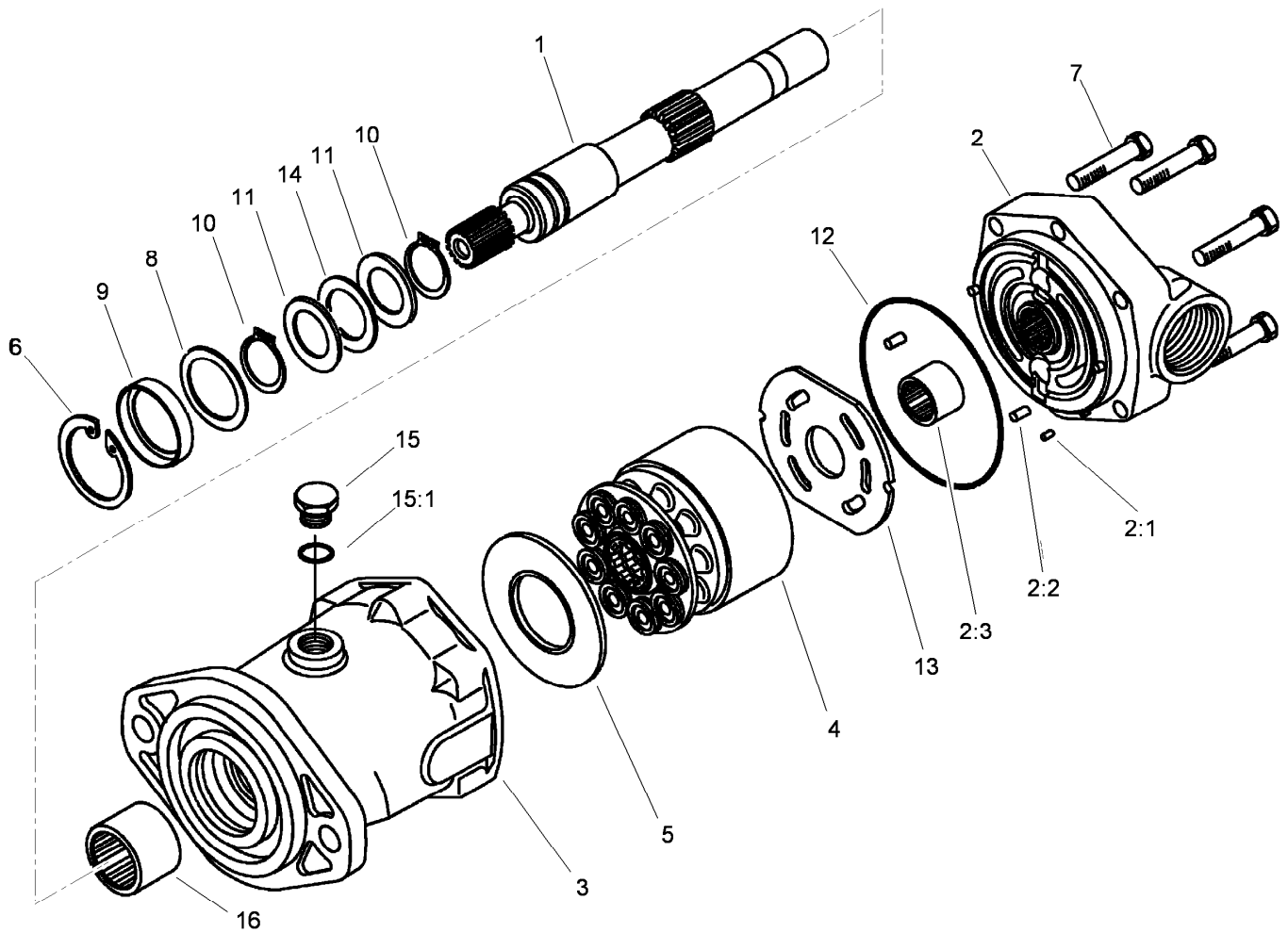
## Brake Assembly No. 100-3069

<i>Ref.</i>	<i>Part Number</i>	<i>Qty.</i>	<i>Description</i>
2	93-7977	1	Seal
3	93-7978	1	Rod-Pull
4	93-7983	2	Pin-Clevis
5	93-7980	2	Link
6	93-7979	2	Pin-Hitch
7	93-7986	4	Disc-Stationary
8	104-4278	3	Disc-Rotating
9	93-7976	1	Ring-Retaining
10	93-7984	1	Gasket
11	104-4280	1	Actuator-Rotating
12	93-7987	3	Spring-Extension
13	93-7985	3	Ball
14	353-990	2	Plug ASM
14:1	237-78	1	O-Ring



## Brake Assembly No. 100-3070

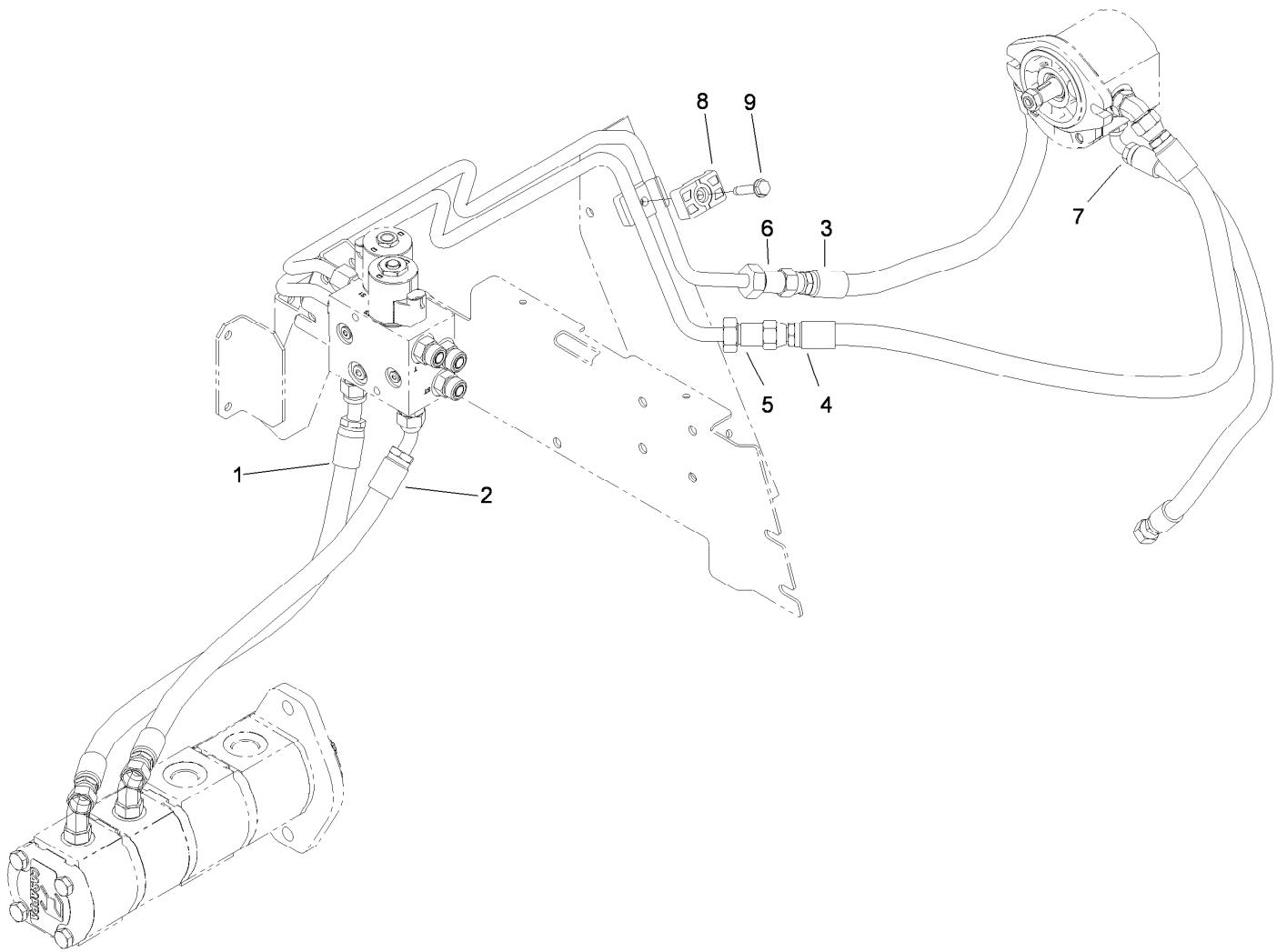
<i>Ref.</i>	<i>Part Number</i>	<i>Qty.</i>	<i>Description</i>
2	93-7977	1	Seal
3	93-7978	1	Rod-Pull
4	93-7983	2	Pin-Clevis
5	93-7980	2	Link
6	93-7979	2	Pin-Hitch
7	93-7986	4	Disc-Stationary
8	104-4278	3	Disc-Rotating
9	93-7976	1	Ring-Retaining
10	93-7984	1	Gasket
11	104-4279	1	Actuator-Rotating
12	93-7987	3	Spring-Extension
13	93-7985	3	Ball
14	353-990	2	Plug ASM
14:1	237-78	1	O-Ring



## Piston Motor Assembly No. 105-1218

Ref.	Part Number	Qty.	Description	Ref.	Part Number	Qty.	Description
1	94-3004	1	Shaft-Drive, Splined	8	60-6240	1	Washer
2	105-2851	1	Backplate ASM	9	105-3331	1	Seal-Shaft
2:1		3	Pin-Dowel ●	10	76-7000	2	Ring-Retaining
2:2		1	Pin-Dowel ●	11	76-6950	2	Race-Thrust
2:3		1	Bearing-Needle ●	12	76-6980	1	O-Ring
3		1	Housing ●	13	94-3003	1	Plate-Valve
4	76-6910	1	Rotating Kit	14	76-6960	1	Bearing-Thrust
5	76-6970	1	Insert-Plate, Cam	15	353-550	1	Plug-HYD, HH
6	60-6260	1	Ring	15:1	237-79	1	O-Ring
7	94-3002	6	Capscrew	16	63-4390	1	Bearing-Needle

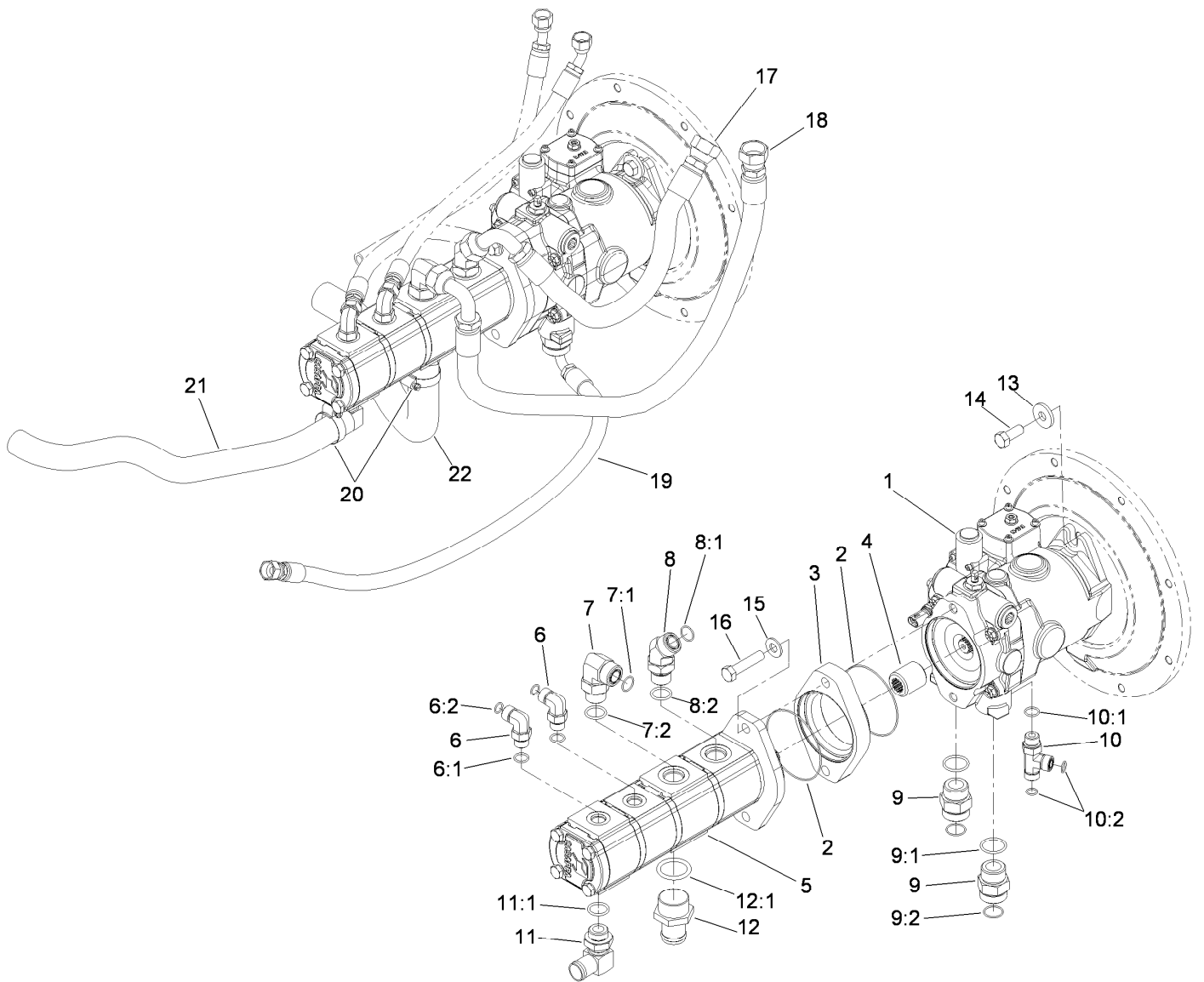
● Not serviced separately



## Fan Plumbing Assembly

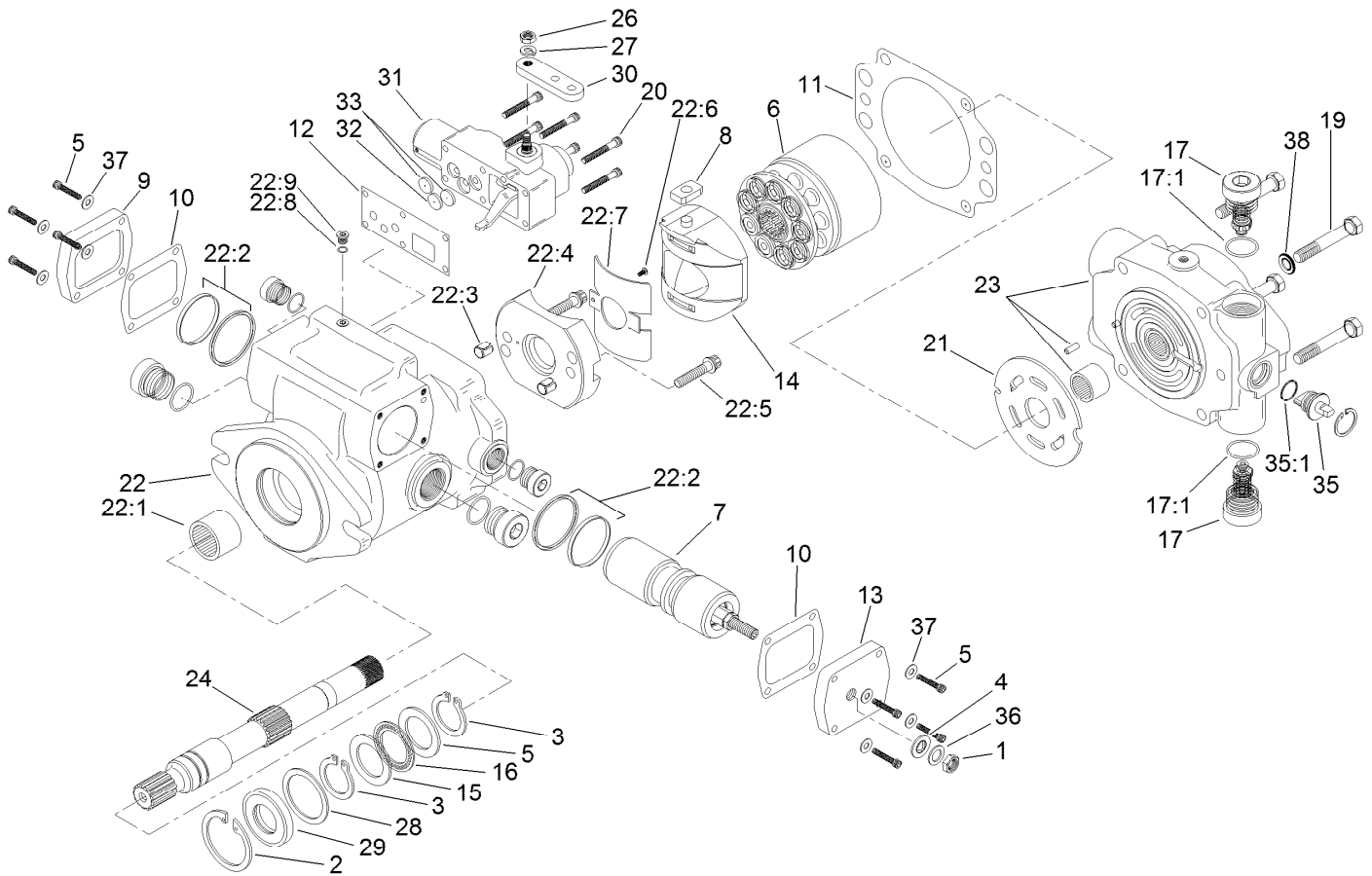
<i>Ref.</i>	<i>Part Number</i>	<i>Qty.</i>	<i>Description</i>
1	115-4438	1	Hose-HYD
2	115-4439	1	Hose-HYD
3	92-2406	1	Hose-HYD
4	115-9116	1	Hose-HYD
5	115-9122	1	Tube-HYD
6	115-9123	1	Tube-HYD
7	115-4434	1	Hose-HYD
8	56-7976	2	Clamp-Tube
9	32144-57	1	Screw





## Hydraulic Pump and Plumbing Assembly

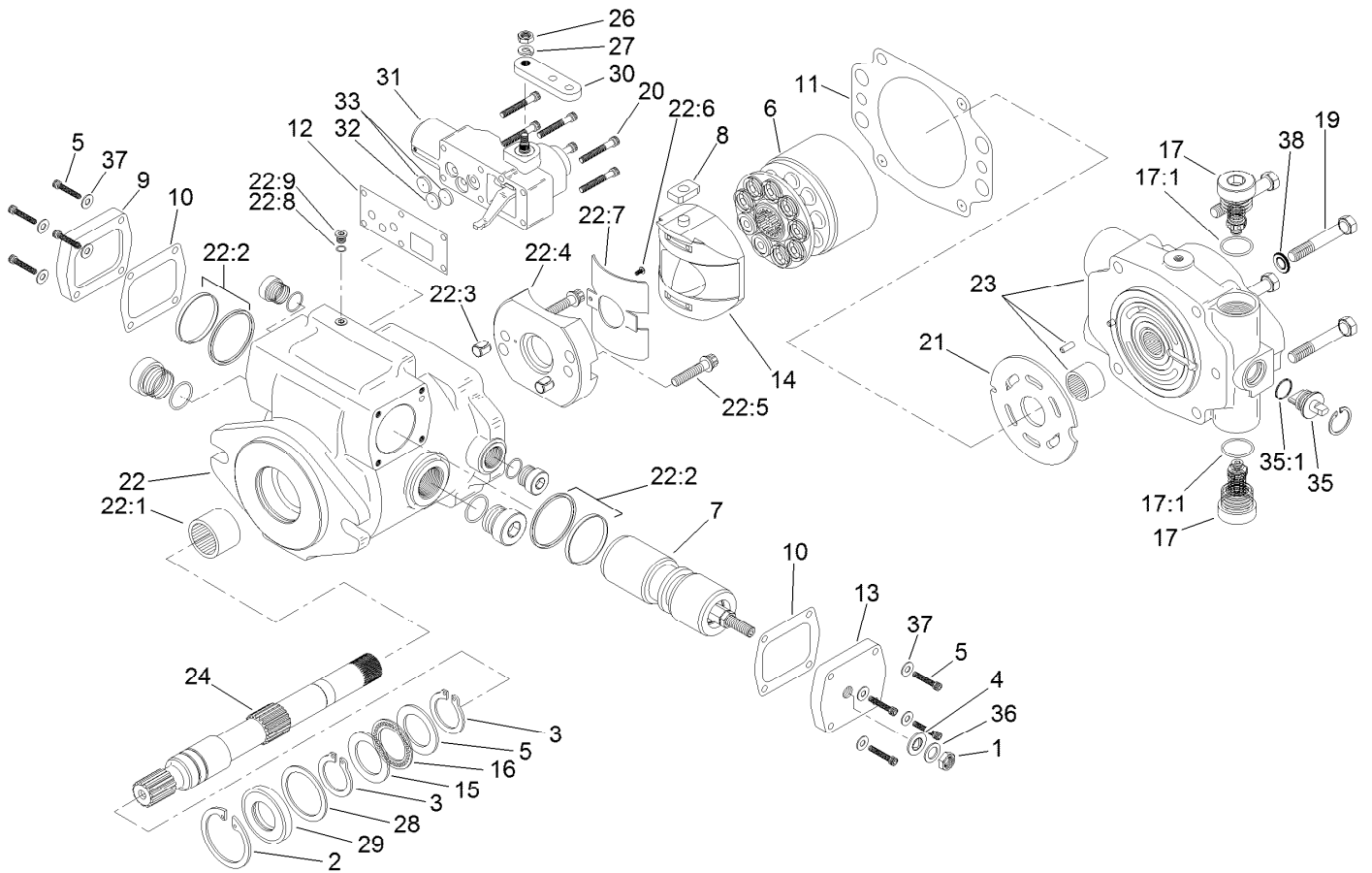
Ref.	Part Number	Qty.	Description	Ref.	Part Number	Qty.	Description
1	114-4188	1	Piston Pump ASM	10	340-109	1	Fitting-HYD, Tee
2	115-3009	2	O-Ring	10:1	237-79	1	O-Ring
3	115-3757	1	Spacer-Pump	10:2	237-30	2	O-Ring
4	115-3011	1	Coupler-Pump	11	100-4202	1	Fitting-HYD, 90 DEG
5	114-4189	1	4-Section Pump ASM	11:1	237-81	1	O-Ring
6	340-98	2	Fitting-HYD, 90 DEG	12	104-5480	1	Fitting-Hose, Straight
6:1	237-79	1	O-Ring	12:1	237-123	1	O-Ring
6:2	237-30	1	O-Ring	13	110-6147	2	Washer-Flat
7	340-142	1	Fitting-HYD, 90 DEG	14	325-5	2	Screw-HH
7:1	237-58	1	O-Ring	15	87-7270	2	Washer-Thrust
7:2	237-81	1	O-Ring	16	115-8488	2	Screw-HH
8	100-5530	1	Fitting-HYD, 45 DEG	17	117-4762	1	Hose-HYD
8:1	237-58	1	O-Ring	18	115-4384	1	Hose-HYD
8:2	237-81	1	O-Ring	19	120-1688	1	Hose ASM
9	104-3797	2	Fitting-HYD, Straight	20	2412-111	2	Clamp
9:1	237-146	1	O-Ring	21	115-4447	1	Hose-Suction
9:2	340-65	1	O-Ring	22	119-3902	1	Hose-Suction



## Piston Pump Assembly No. 114-4188

Ref.	Part Number	Qty.	Description	Ref.	Part Number	Qty.	Description
1	3220-3	1	Nut-HJ	19	323-45	4	Screw-HH
2	60-6260	1	Ring	20	93-6324	6	Screw
3	76-7000	2	Ring-Retaining	21	105-9854	1	Plate-Valve
4	94-3027	1	Washer-Seal	22	105-9855	1	Housing ASM
5	93-6337	8	Screw	22:1		1	Bearing ●
6	105-9851	1	Rotating Kit	22:2		2	Seal ASM ●
7	105-4572	1	Servo Piston ASM	22:3		2	Dowel-Bushing ●
8	94-3032	1	Follower-Piston	22:4		1	Cradle ASM ●
9	94-3033	1	Plate-Cover	22:5		2	Screw ●
10	93-6339	2	Gasket	22:6		1	Screw ●
11	105-2900	1	Gasket-Housing	22:7		1	Bushing ●
12	105-2901	1	Gasket-Housing, Control	22:8		1	O-Ring ●
13	105-9853	1	Plate-Cover	22:9		1	Plug ●
14	94-3026	1	Camplate ASM	23	115-4445	1	Endcover Sub ASM
15	76-6950	2	Race-Thrust	24	115-3008	1	Shaft-Drive
16	76-6960	1	Bearing-Thrust	26	93-6327	1	Nut
17	105-2857	2	Valve-Relief	27	3253-3	1	Washer-Lock
17:1		1	O-Ring ●	28	60-6240	1	Washer

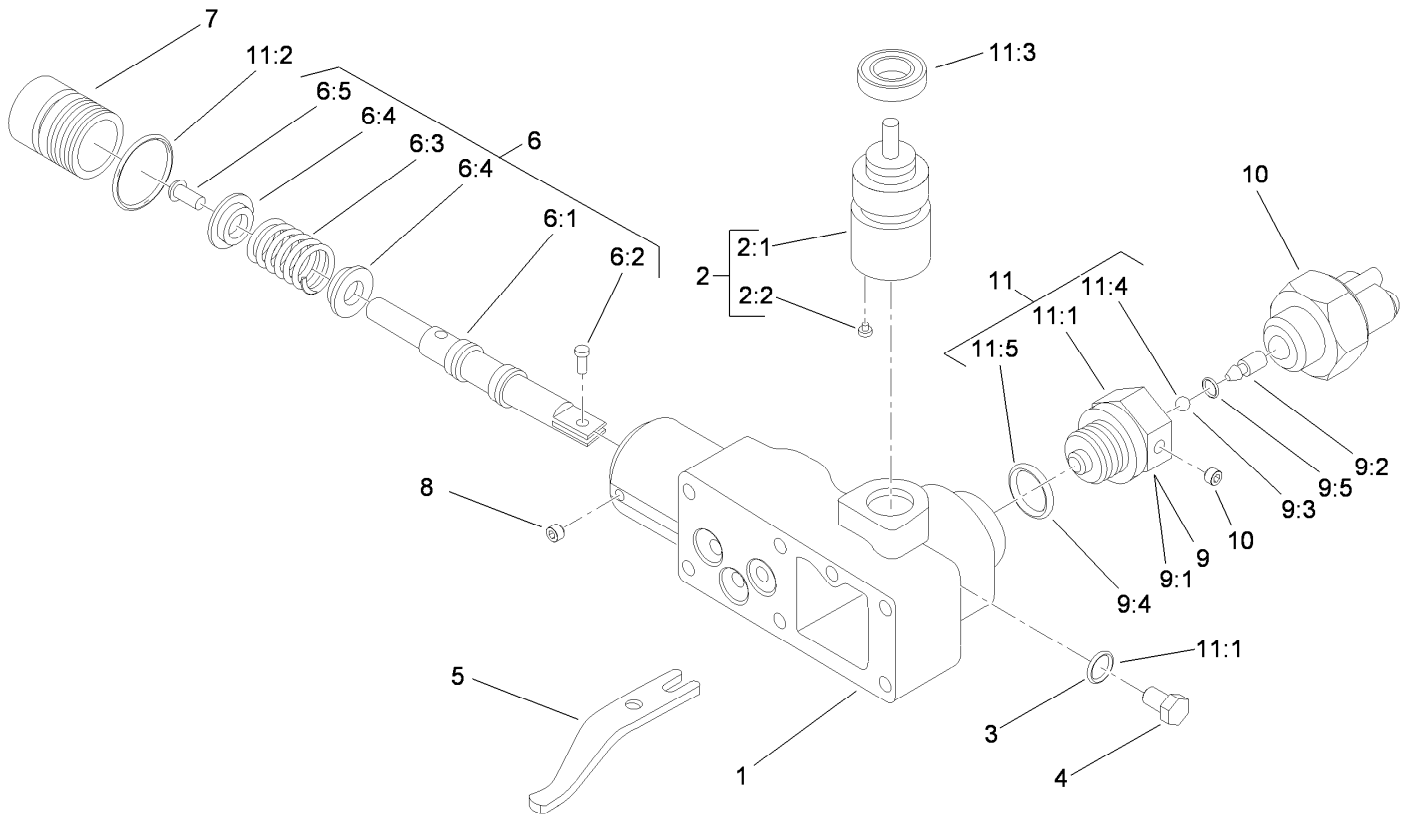
● Not serviced separately



## Piston Pump Assembly No. 114-4188 (continued)

Ref.	Part Number	Qty.	Description	Ref.	Part Number	Qty.	Description
29	105-3331	1	Seal-Shaft	35	105-2864	1	Valve-Bypass
30	110-0036	1	Arm-Control	35:1		1	O-Ring ●
31	115-4446	1	Manual Servo Control ASM	36	94-3030	1	Washer
32	105-2909	1	Orifice-Control, .036 Dia	37	93-6336	8	Washer
33	94-3041	2	Orifice-Control (.028 Dia)	38	105-9762	4	Washer

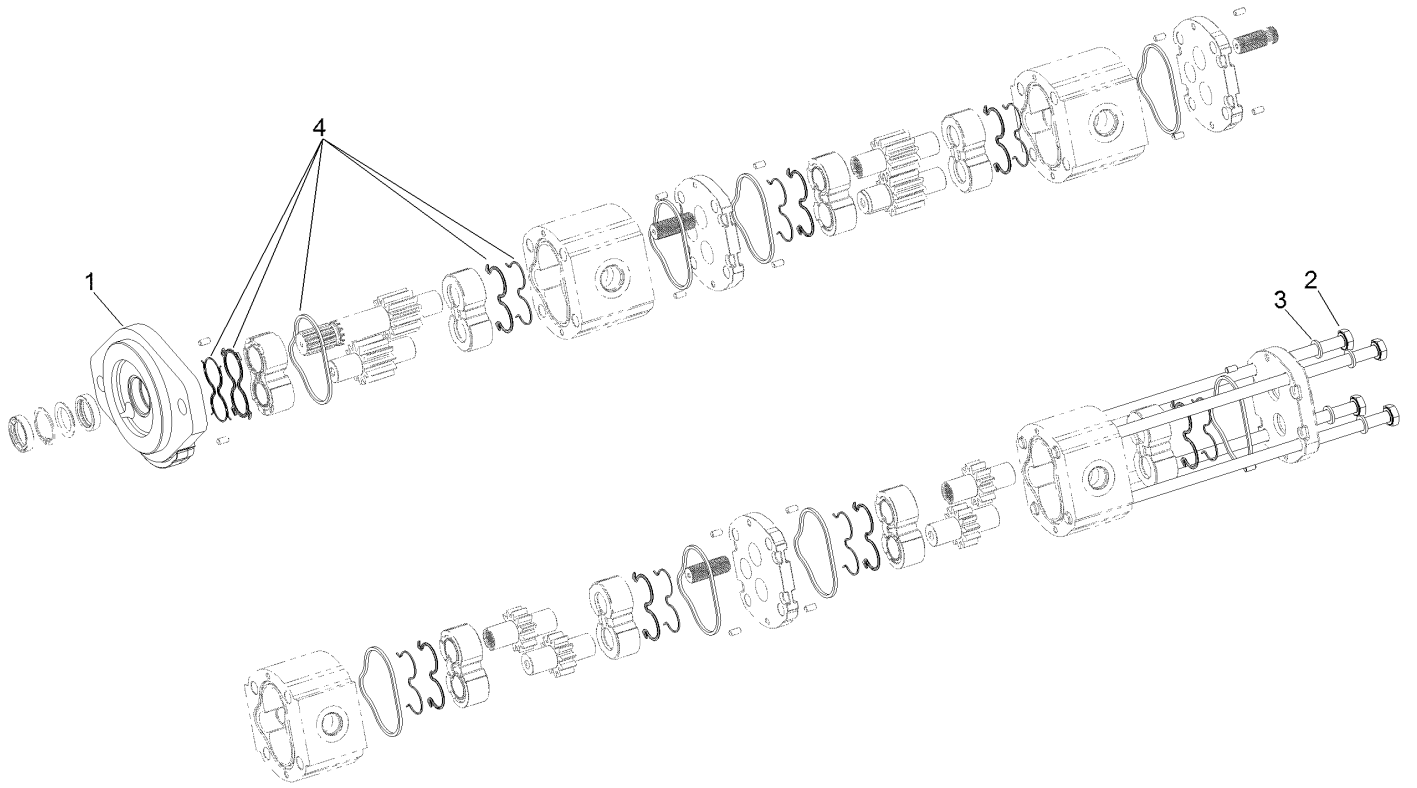
● Not serviced separately



## Control Assembly No. 115-4446

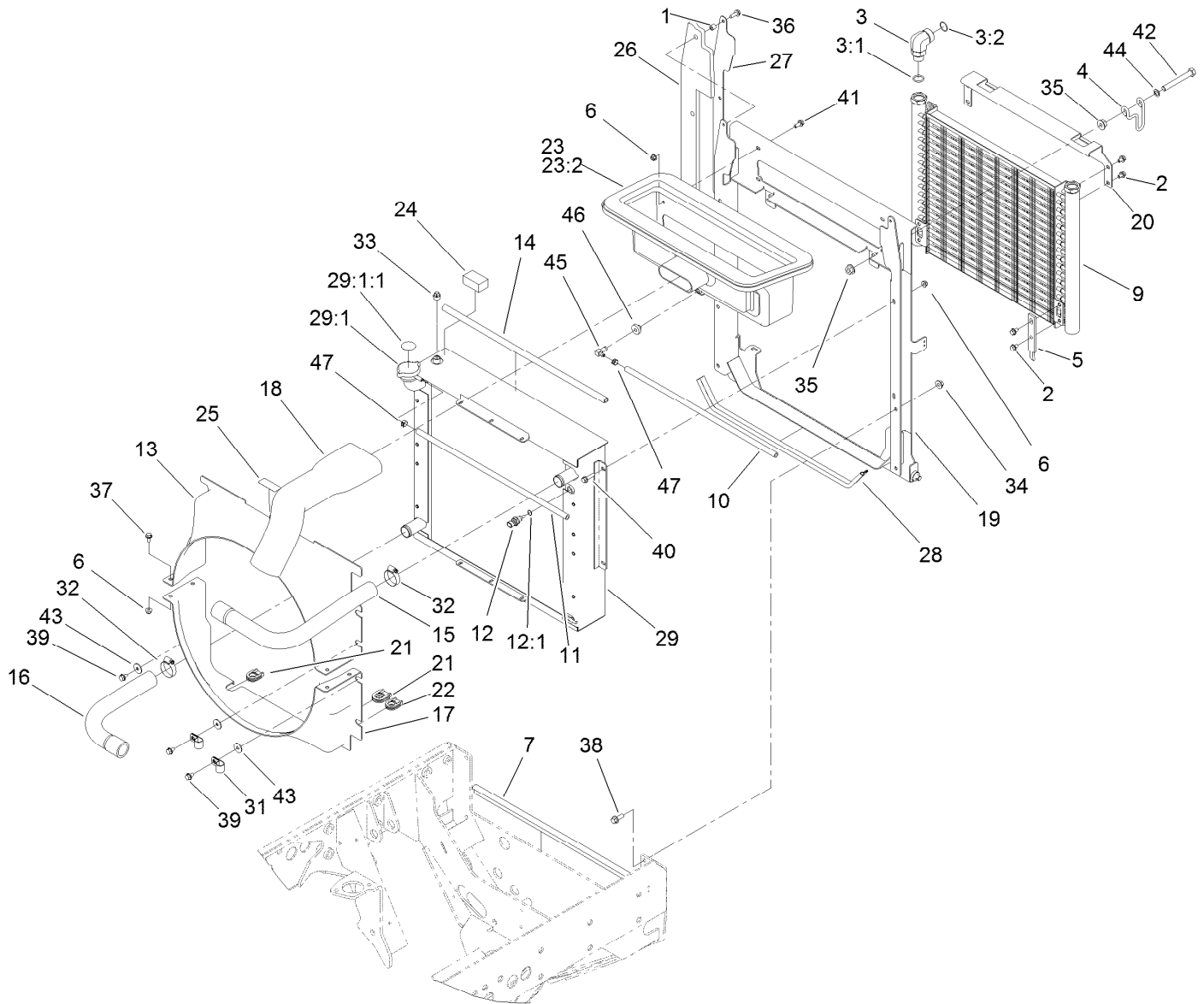
Ref.	Part Number	Qty.	Description	Ref.	Part Number	Qty.	Description
1		1	Housing-Control ●	8		2	Screw-Set ●
2	108-7099	1	Input Control Shaft ASM	9	108-8003	1	Adaptor ASM
2:1		1	Shaft ●	9:1		1	Adaptor-Lockout, Neutral ●
2:2		1	Pin ●	9:2		1	Pin ●
3		1	O-Ring ●	9:3		1	Ball ●
4		1	Plug ●	9:4		1	O-Ring ●
5		1	Link-Feedback ●	9:5		1	O-Ring ●
6	108-7098	1	Valve Spool ASM	10	115-3795	1	Switch-Neutral
6:1		1	Valve-Spool ●	11	94-3044	1	Seal Kit
6:2		1	Pin-Dowel ●	11:1	117-8979	1	Seal-Shaft
6:3		1	Spring ●	11:2	105-2901	1	Gasket-Housing, Control
6:4		2	Retainer ●	11:3		1	O-Ring ●
6:5		1	Screw ●	11:4		1	O-Ring ●
7		1	Plug ●	11:5		1	Seal-Wiper ●

● Not serviced separately



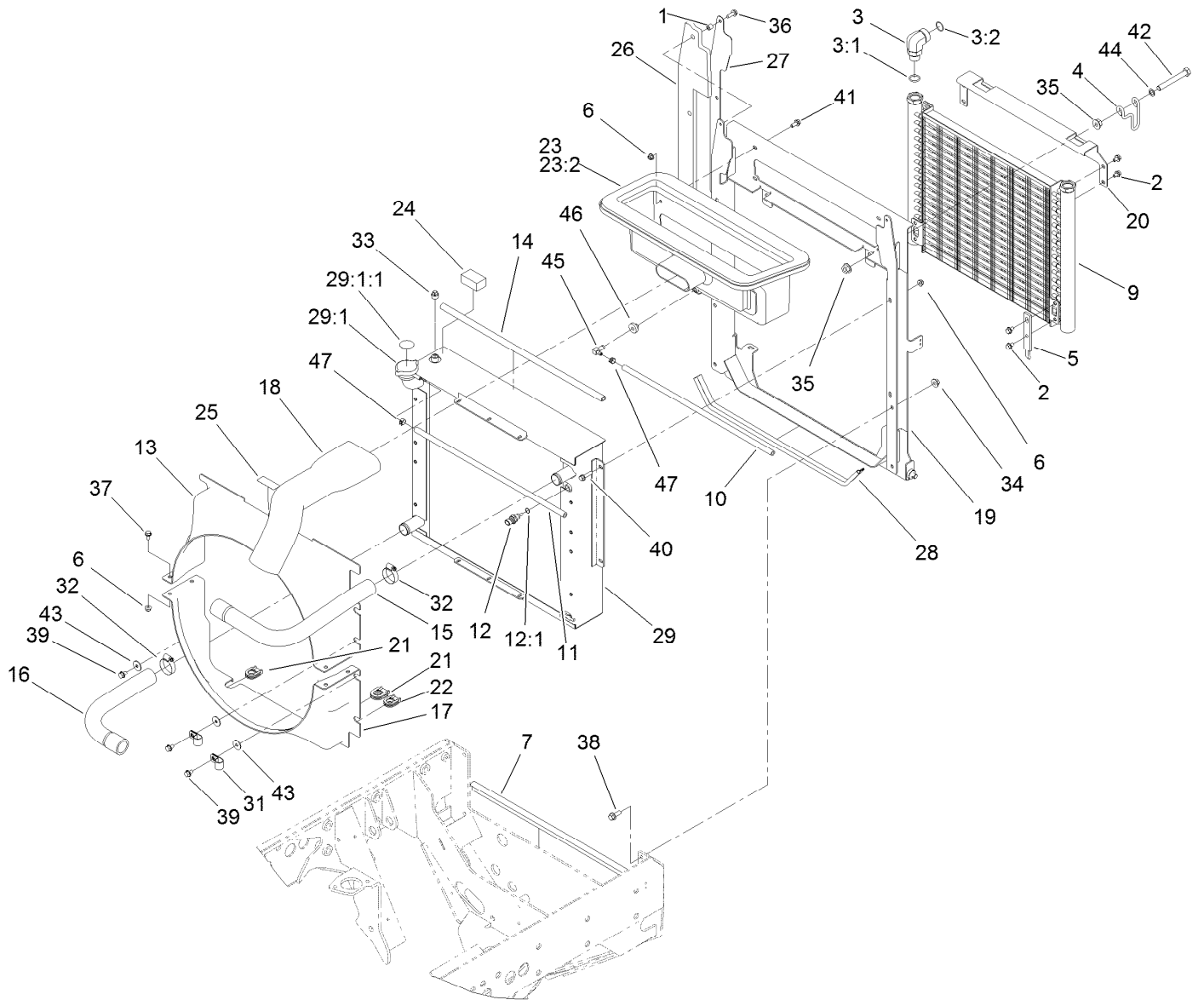
## Four Section Pump Assembly No. 114-4189

<i>Ref.</i>	<i>Part Number</i>	<i>Qty.</i>	<i>Description</i>
1	115-3774	1	Cover-Front
2	115-4444	4	Bolt
3	115-9138	4	Washer
4	115-3776	1	Seal Kit



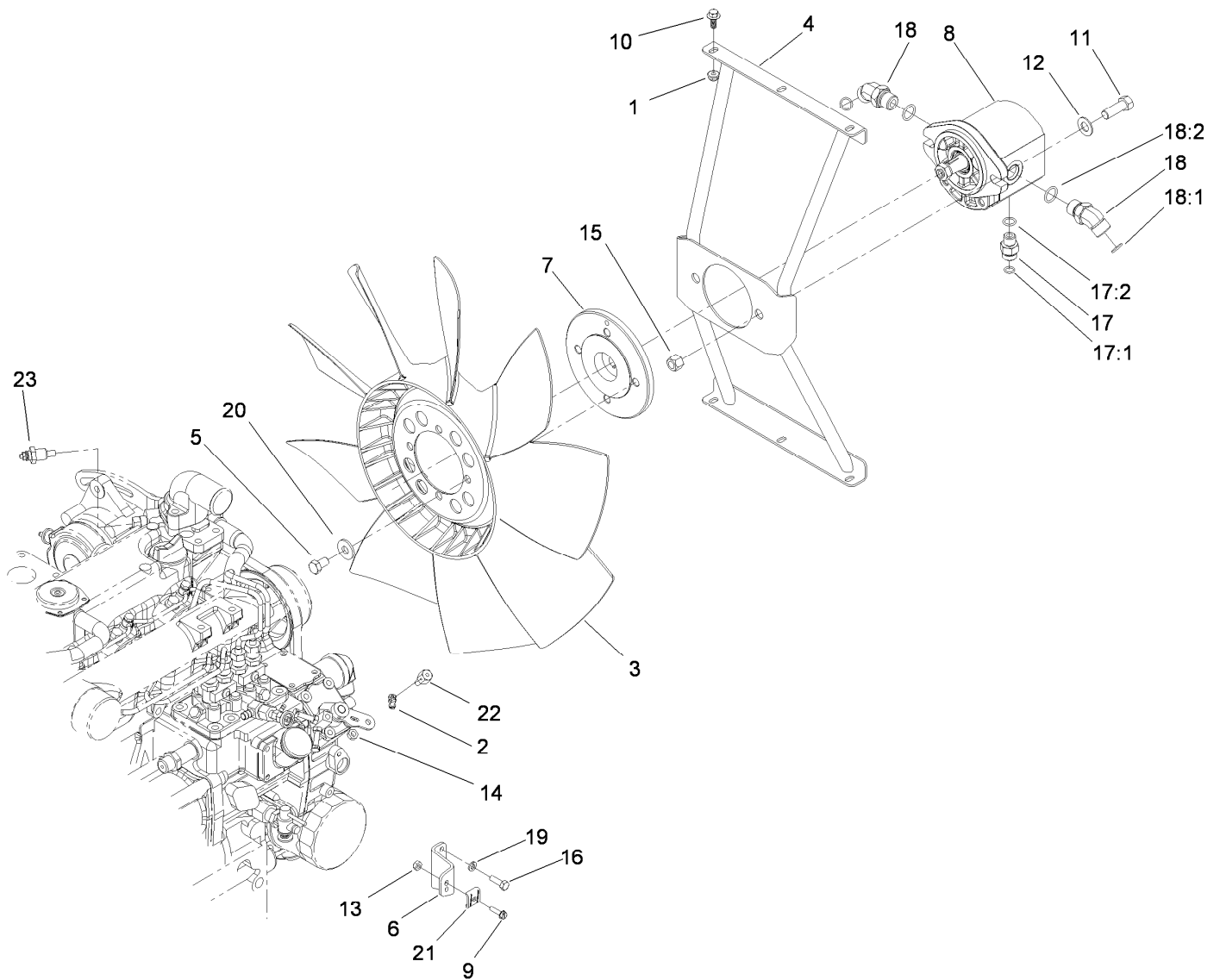
## Radiator Assembly

Ref.	Part Number	Qty.	Description	Ref.	Part Number	Qty.	Description
1	1-603903	6	Spacer	20	114-4193	1	Bracket-Oil Cooler,Top
2	100-1719	8	Screw-Flange	21	115-3763	2	Grommet (.800 Id)
3	104-3796	2	Fitting-HYD, 90 DEG	22	115-3764	1	Grommet (.680 Id)
3:1	237-81	1	O-Ring	23	115-4363	1	Plenum ASM
3:2	340-65	1	O-Ring	23:2	115-4393	1	Seal-Plenum
4	104-5429	2	Clamp-Form, Wire	24	115-9133	2	Seal-Foam
5	104-5460-03	2	Plate-Mount, Oil Cooler	25	117-4766	1	Decal-Warning, Fan
6	104-8300	12	Nut-Flange, NI	26	117-4780	2	Seal-Foam, Hood
7	105-9858	1	Seal-Bulb	27	117-4781-03	2	Bracket-Seal Hood
9	110-0485	1	Cooler-Oil	28	117-4782	1	Seal-Bulb
10	110-3258	1	Hose-Fuel	29	119-3871	1	Radiator
11	110-6184	1	Hose-Fuel	29:1	115-7766	1	Cap-Radiator
12	110-8829	1	Sender-Temperature	29:1:1	106-6755	1	Decal-Cap, Radiator
12:1	237-42	1	O-Ring	31	2412-81	2	Clamp-R
13	114-3816	1	Shroud-Radiator, Upper	32	2412-111	4	Clamp
14	114-3828	1	Seal-Bulb	33	281-13	1	Plug-Pipe
15	114-3831	1	Hose-Radiator, Upper	34	32128-43	4	Nut-Flange
16	114-3832	1	Hose-Radiator, Lower	35	32128-49	4	Nut-HHF
17	114-3834	1	Shroud-Radiator, Lower	36	32144-41	2	Screw-Taptite
18	114-4152	1	Hose-Air Cleaner	37	3234-7	4	Screw-HHF
19	114-4153-03	1	Radiator Mount ASM	38	3234-11	4	Screw-HHF



## Radiator Assembly (continued)

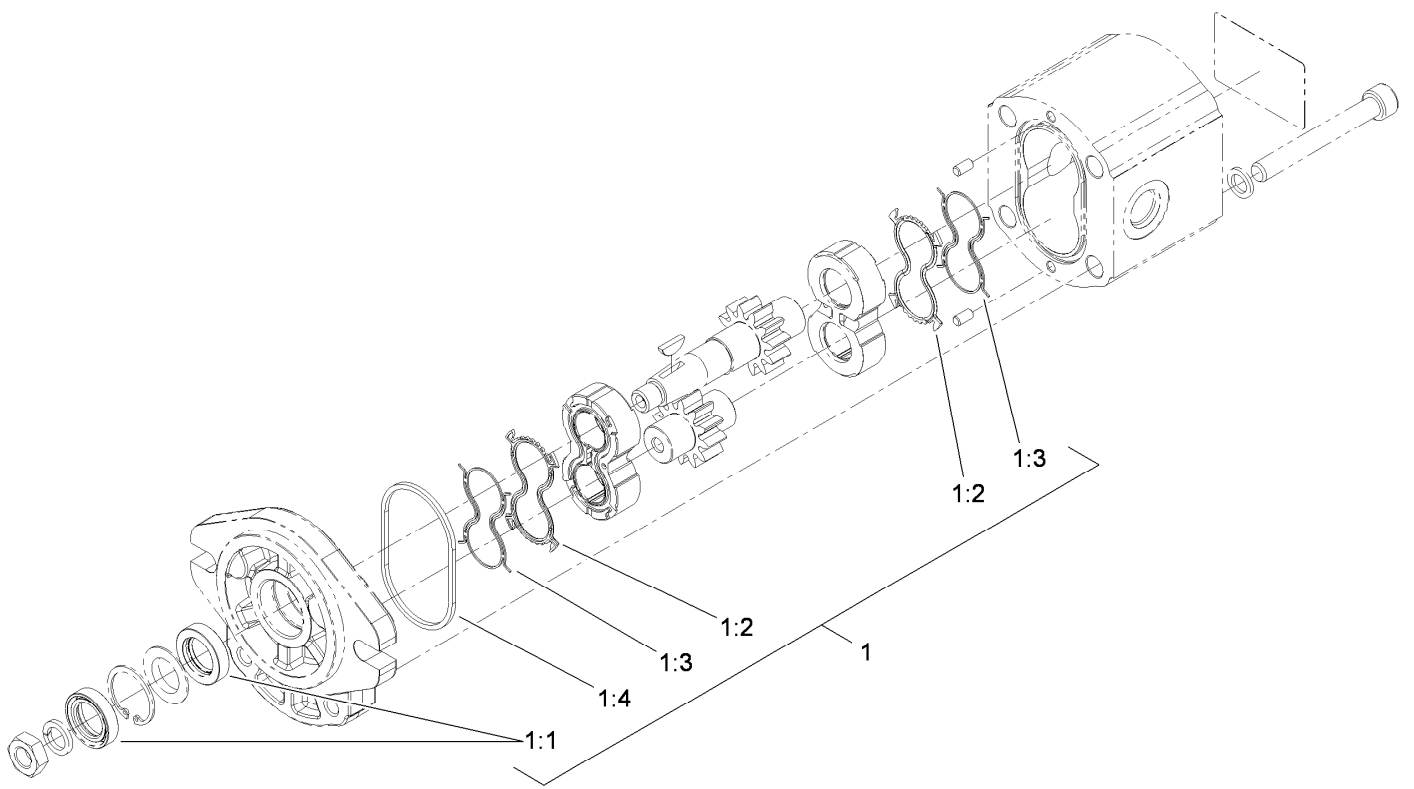
<i>Ref.</i>	<i>Part Number</i>	<i>Qty.</i>	<i>Description</i>	<i>Ref.</i>	<i>Part Number</i>	<i>Qty.</i>	<i>Description</i>
39	3234-30	8	Screw-HHF	44	41-8440	2	Washer
40	3234-36	4	Screw-HHF	45	46-6550	1	Fitting-Elbow, 90 DEG
41	3234-47	4	Screw-HHF	46	46-6560	1	Bushing
42	325-17	2	Screw-HH	47	92-2379	2	Clamp-Hose
43	3256-82	8	Washer-Flat				



## Fan and Motor Assembly

<i>Ref.</i>	<i>Part Number</i>	<i>Qty.</i>	<i>Description</i>	<i>Ref.</i>	<i>Part Number</i>	<i>Qty.</i>	<i>Description</i>
1	104-7201	6	Nut-HF	15	3296-48	2	Nut-Lock, NI
2	112-9919	1	Stop-Cable, Throttle	16	33113-020	2	Screw-HH
3	114-3825	1	Fan	17	340-2	1	Fitting-HYD, Straight
4	114-9764-03	1	Bracket-Motor, Fan	17:1	237-22	1	O-Ring
5	115-8486	4	Screw-HH	17:2	237-42	1	O-Ring
6	115-9114-03	1	Support-Cable, Throttle	18	340-101	2	Fitting-HYD, 45 DEG
7	117-2364	1	Hub-Fan	18:1	237-30	1	O-Ring
8	117-4769	1	HYD Motor ASM	18:2	237-79	1	O-Ring
9	32105-13	1	Screw-HWH	19	43-5930	2	Washer-Lock, Spring
10	99-6810	6	Screw-HHF	20	80-6990	4	Washer-Hardened
11	324-5	2	Screw-HH	21	81-1690	1	Clamp-Cable
12	3256-25	2	Washer-Flat	22	93-0021	1	Swivel-Cable, Throttle
13	3296-2	1	Nut-Lock, NI	23	98-9346	1	Sender-Temperature
14	3296-13	1	Nut-Lock, NI				

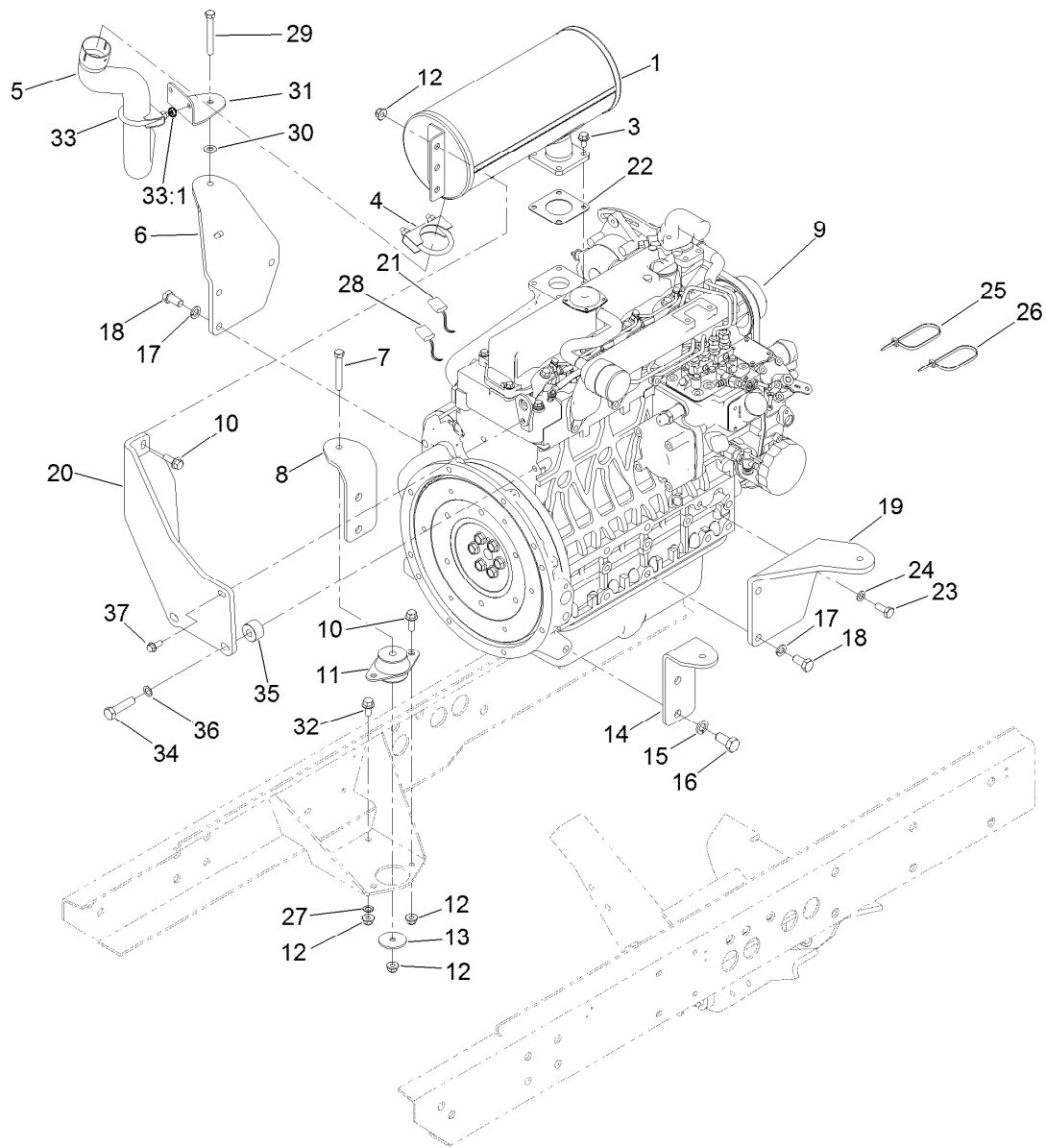




## Hydraulic Motor Assembly No. 117-4769

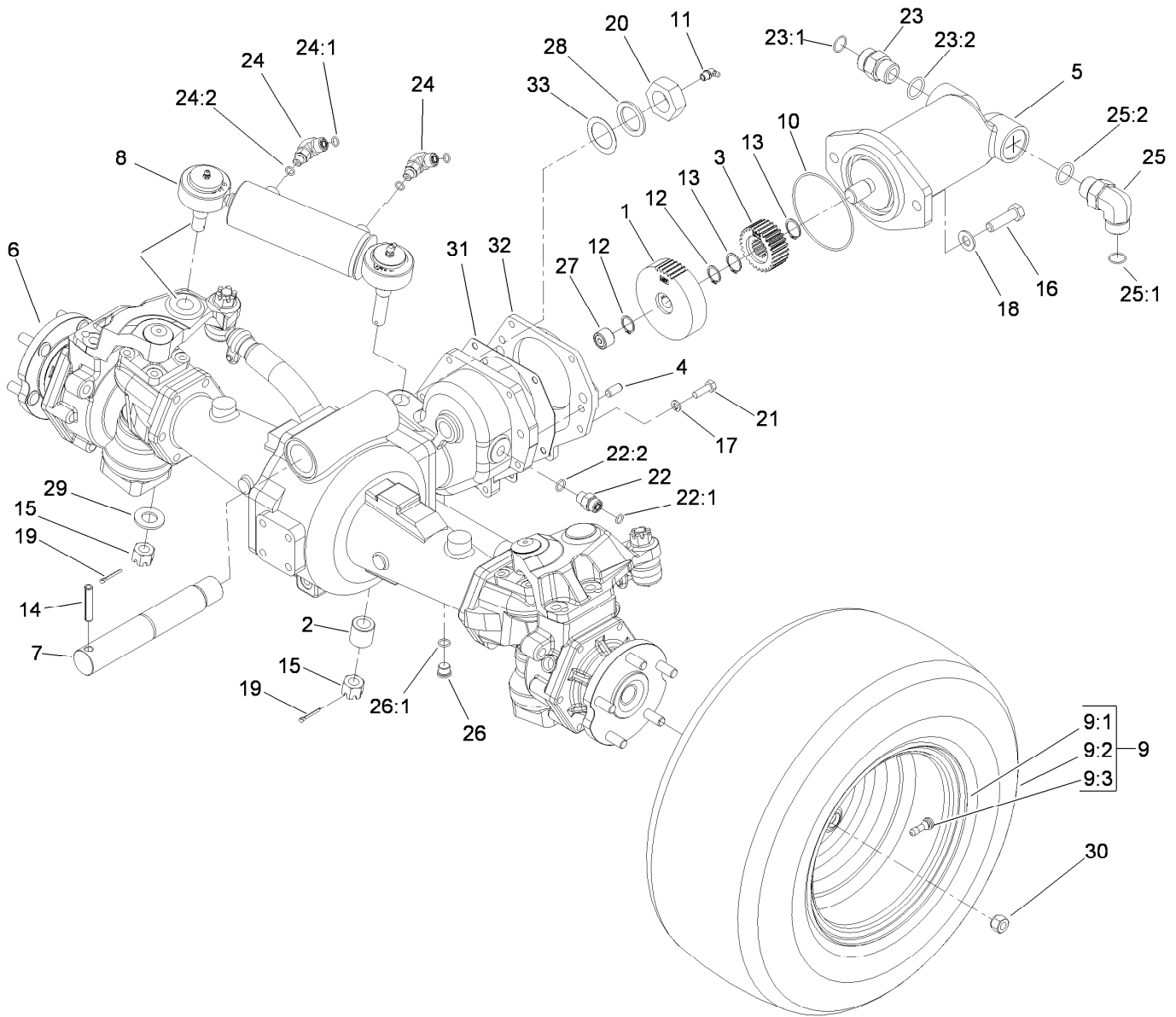
<i>Ref.</i>	<i>Part Number</i>	<i>Qty.</i>	<i>Description</i>
1	115-4110	1	Seal Kit
1:1		2	Seal-Shaft ●
1:2		2	Seal-Plate, Balancing ●
1:3		2	Seal-Anti Extrusion ●
1:4		2	O-Ring (Housing) ●

● Not serviced separately



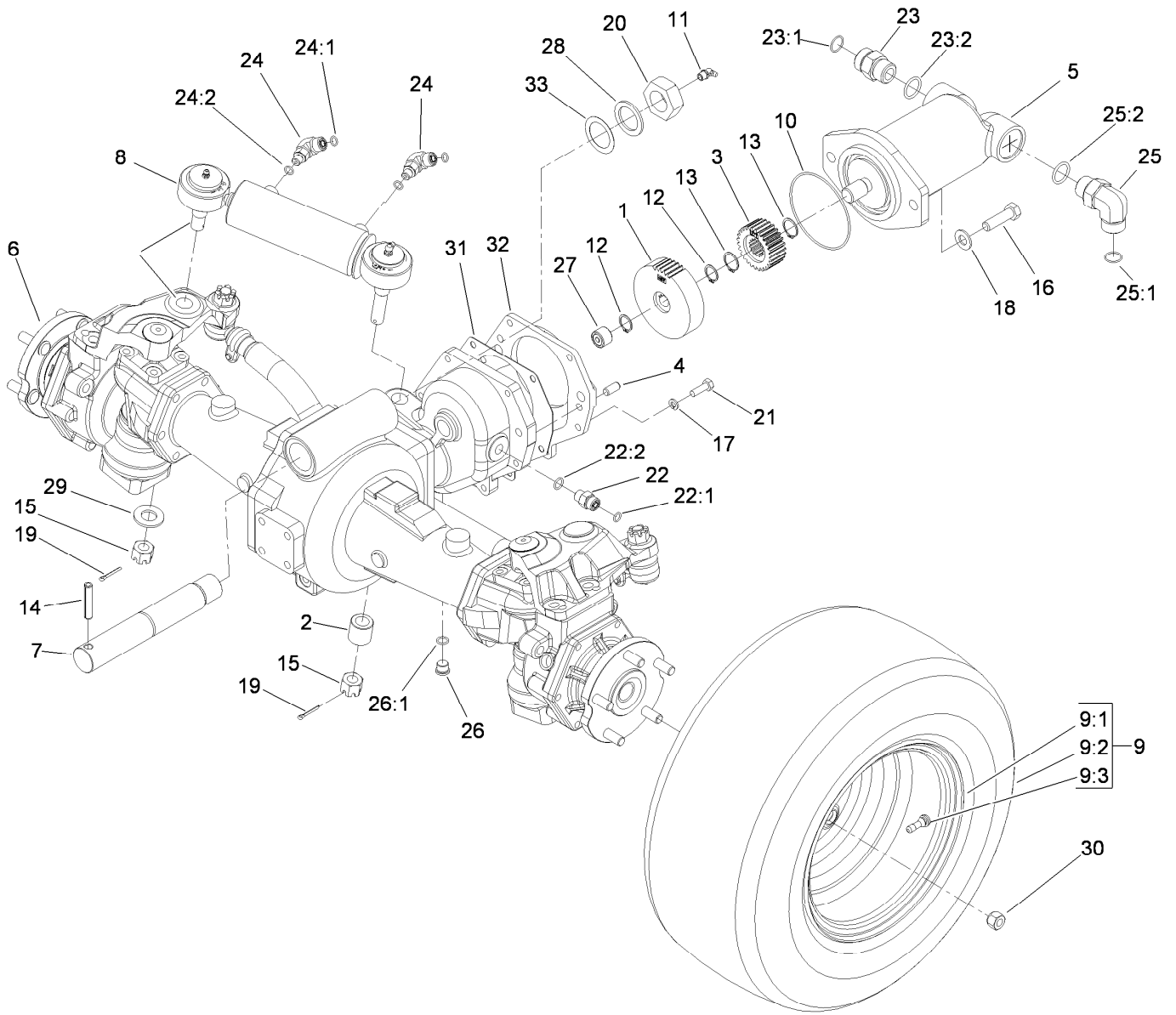
## Engine Mounting and Exhaust Assembly

Ref.	Part Number	Qty.	Description	Ref.	Part Number	Qty.	Description
1	119-3860	1	Muffler	21	117-2370	1	Harness-Ground
3	33104-016	4	Screw-HHF	22	100-9333	1	Gasket-Muffler
4	18-2130	1	Clamp	23	43-0090	1	Screw-HH
5	119-3880	1	Tailpipe	24	48-9590	1	Washer-Lock
6	114-3807-03	1	Mount-Engine, RH	25	3290-378	1	Tie-Cable
7	323-13	3	Screw-HH	26	3290-379	2	Tie-Cable
8	114-4170-03	1	Mount-Engine, Front RH	27	3255-9	1	Washer-Lock
9	125-2179	1	Engine-Kubota, V2403Dt	28	117-2374	1	Harness-Wire, Alternator
10	3234-11	10	Screw-HHF	29	323-14	1	Screw-HH
11	53-9682	4	Mount-Engine	30	3256-24	1	Washer-Flat
12	104-8301	15	Nut-Flange, NI	31	120-1692-03	1	Bracket-Muffler
13	63-7400	4	Washer-Rebound	32	3234-1	1	Screw-HHF
14	114-4169-03	1	Mount-Engine, Front, LH	33	2112-6	1	Clamp-Muffler
15	43-5950	4	Washer-Lock, Spring	33:1	3218-2	2	Nut-Jam
16	43-3210	4	Screw-HH	34	120-1698	2	Screw-HH
17	48-8070	5	Washer-Lock	35	120-1699	2	Spacer
18	42-9250	5	Bolt	36	112-6957	2	Washer-Hardened
19	114-3817-03	1	Mount-Engine, LH	37	98-7977	1	Screw-HHF
20	120-1697-03	1	Muffler Bracket ASM				



## Rear Axle Assembly

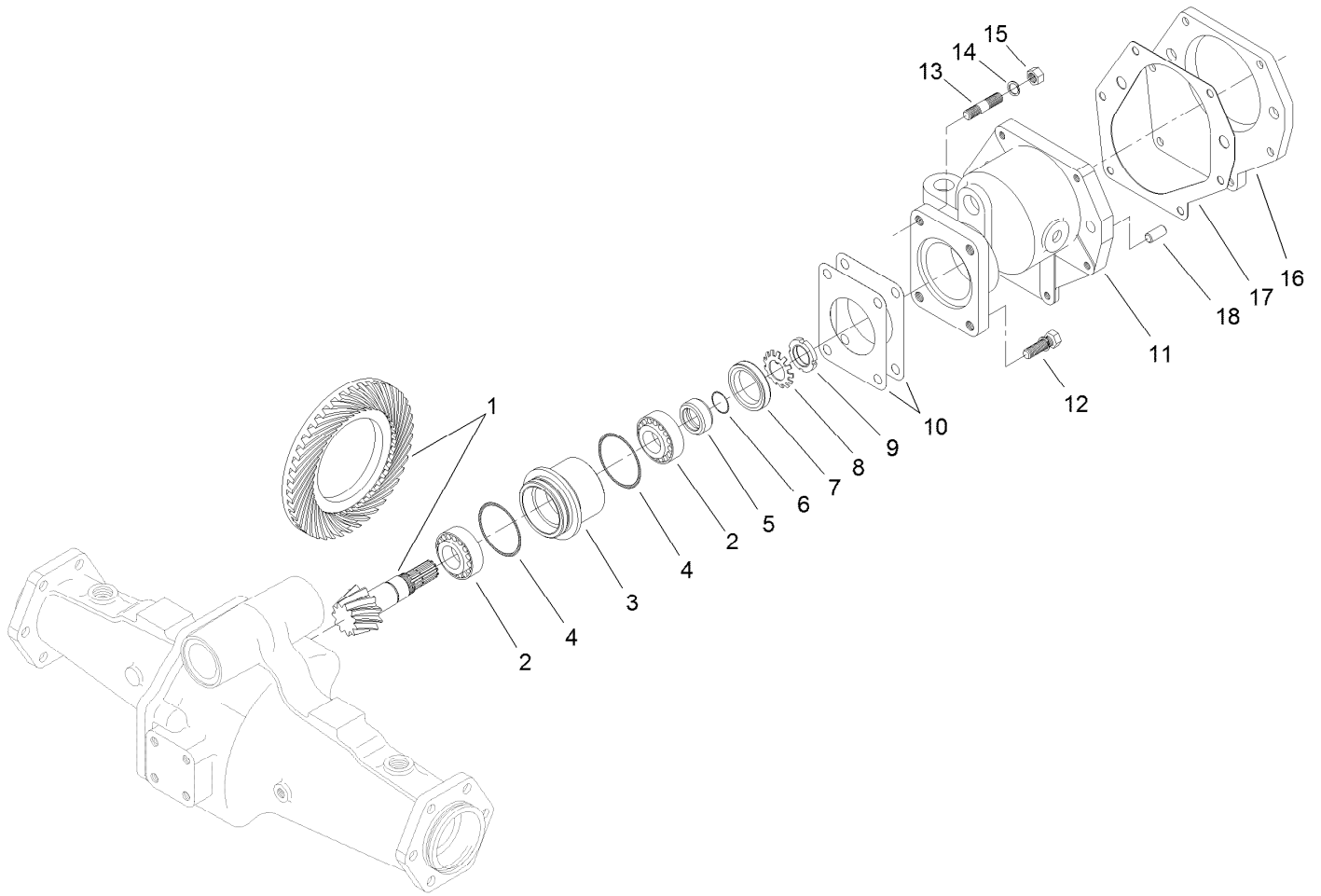
Ref.	Part Number	Qty.	Description	Ref.	Part Number	Qty.	Description
1	104-5664	1	Gear-44T	19	3272-11	2	Pin-Cotter
2	100-3796	1	Spacer-Joint, Ball	20	3296-68	1	Nut-Lock, NI
3	104-5663	1	Pinion-28T	21	33114-025	6	Screw-HH
4	104-2353	2	Pin-Dowel	22	340-2	1	Fitting-HYD, Straight
5	105-1219	1	HYD Motor ASM	22:1	237-22	1	O-Ring
6	110-4750	1	Drive Axle ASM	22:2	237-42	1	O-Ring
7	115-9142	1	Pin-Rear Axle	23	340-9	1	Fitting-HYD, Straight
8	119-3903	1	Steer Cylinder ASM	23:1	237-58	1	O-Ring
9	120-1666	2	Tire ASM	23:2	237-81	1	O-Ring
9:1	115-1573	1	Rim	24	340-97	2	Fitting-HYD, 90 DEG
9:2	117-5125	1	Tire	24:1	237-22	1	O-Ring
9:3	232-27	1	Stem-Valve	24:2	237-78	1	O-Ring
10	237-166	1	O-Ring	25	340-142	1	Fitting-HYD, 90 DEG
11	302-33	1	Fitting-Grease	25:1	237-58	1	O-Ring
12	32120-15	2	Ring-Snap, EXT	25:2	237-81	1	O-Ring
13	32120-76	2	Ring-Snap, EXT	26	353-989	1	Plug-Hex, Hollow
14	32121-110	1	Pin-Roll, Slotted	26:1	237-42	1	O-Ring
15	32136-14	2	Nut-SHH	27	74-5700	1	Bearing-Needle, Roller
16	325-7	2	Screw-HH	28	92-1765	1	Washer-Thrust
17	3253-4	6	Washer-Lock	29	92-5836	1	Washer
18	3256-26	2	Washer-Flat	30	93-5268	10	Nut-Lug



## Rear Axle Assembly (continued)

Ref.	Part Number	Qty.	Description
31	106-1140	1	Gasket

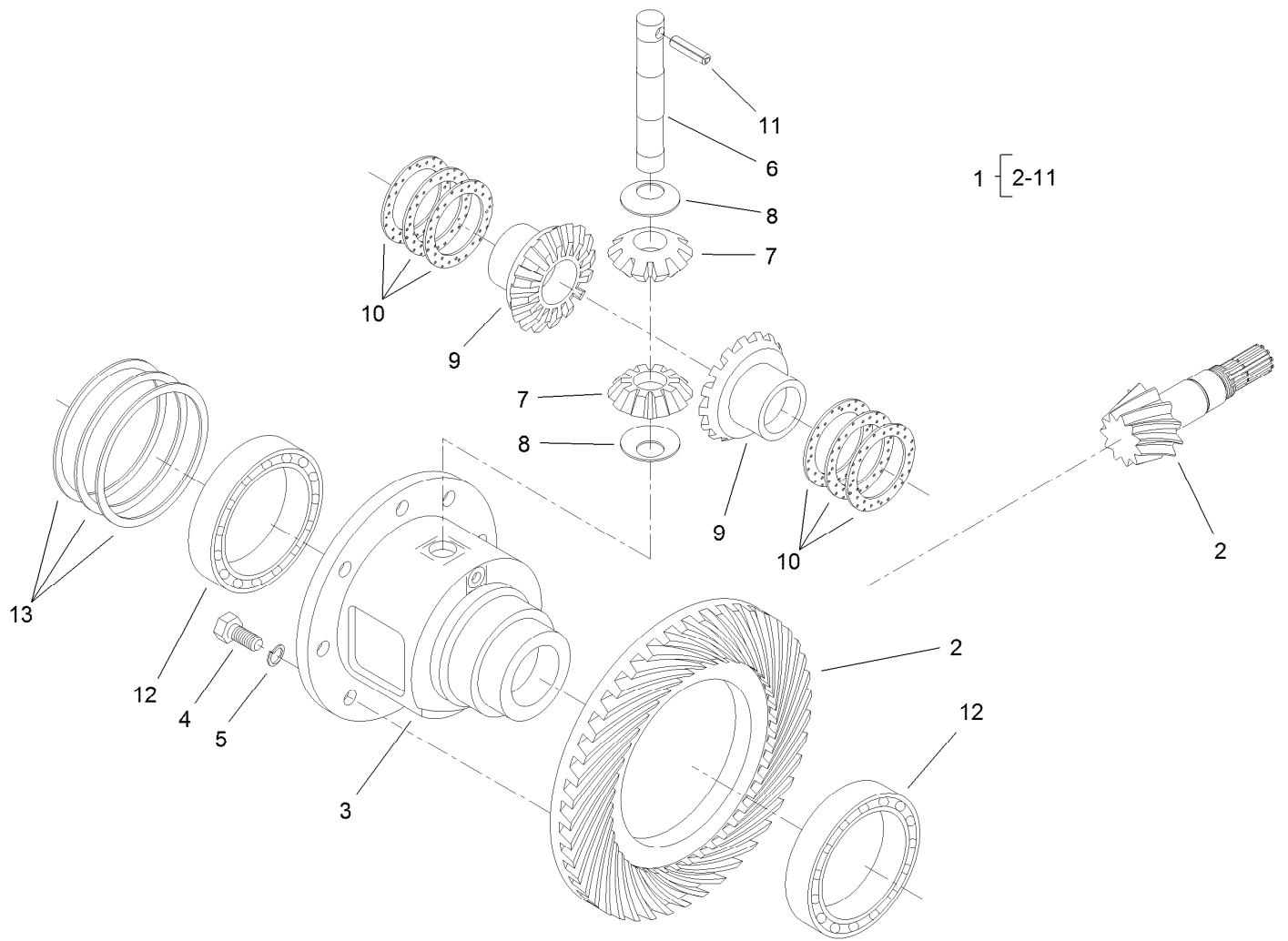
Ref.	Part Number	Qty.	Description
32	95-7541	1	Plate-Cover
33	98-3867	2	Washer-Thrust



## Bevel Pinion Shaft Assembly Rear Axle Assembly No. 110-4750

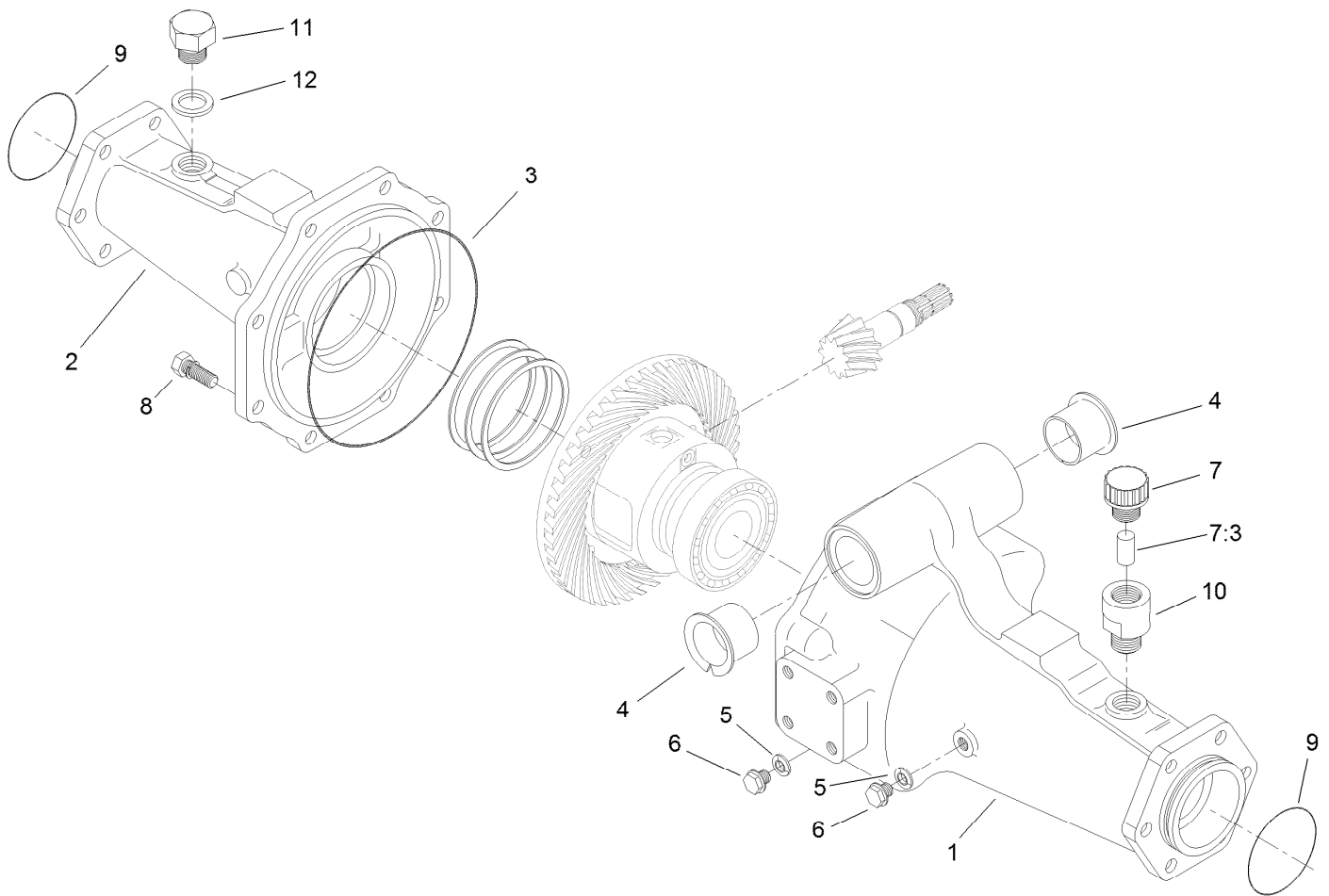
<i>Ref.</i>	<i>Part Number</i>	<i>Qty.</i>	<i>Description</i>
1	106-1093	1	Ring And Pinion, Matched Set
2	99-7570	2	Bearing-Roller, Taper
3	95-7534	1	Case-Bearing
4	106-1065	2	O-Ring
5	99-7572	1	Collar-Seal, Oil
6	106-1066	1	O-Ring
7	99-7574	1	Seal-Oil
8	99-7559	1	Washer-Lock
9	99-7560	1	Nut-Lock

<i>Ref.</i>	<i>Part Number</i>	<i>Qty.</i>	<i>Description</i>
10	99-7550	2	Shim 0.1
10	99-7551	2	Shim 0.2
11	95-7533	1	Case-Gear
12	99-7575	2	Bolt
13	98-7735	2	Stud
14	99-7527	2	Washer-Spring
15	99-7526	2	Nut
16	95-7541	1	Plate-Cover
17	106-1140	1	Gasket
18	104-2353	2	Pin-Dowel



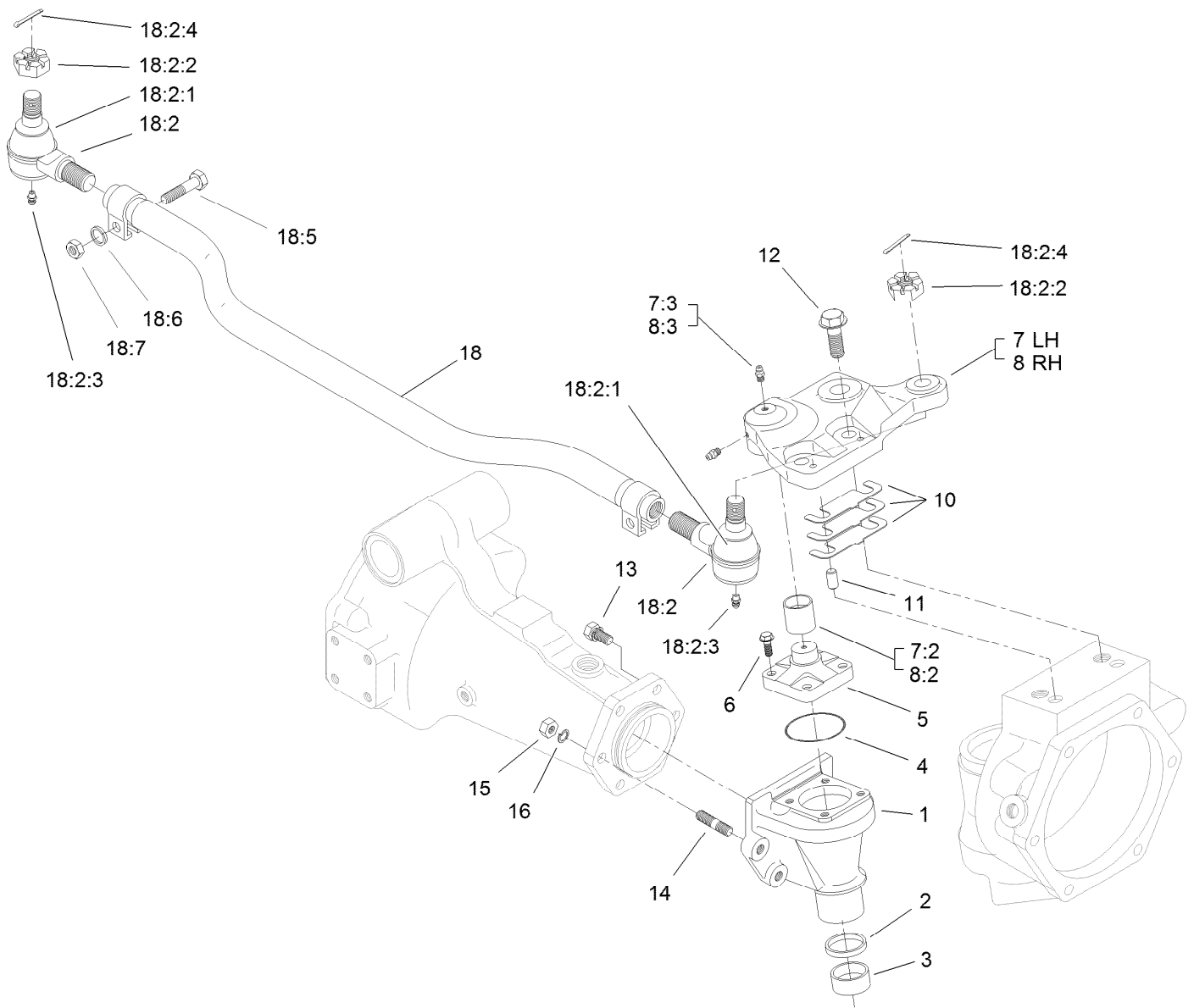
## Differential Assembly Rear Axle Assembly No. 110-4750

<i>Ref.</i>	<i>Part Number</i>	<i>Qty.</i>	<i>Description</i>	<i>Ref.</i>	<i>Part Number</i>	<i>Qty.</i>	<i>Description</i>
1	95-7503	1	Differential ASM	9	99-7581	2	Gear-Differential
2	106-1093	1	Ring And Pinion, Matched Set	10	99-7582	2	Washer-Differential
3	95-7502	1	Case-Differential	10	99-7583	2	Washer-Differential
4	99-7576	8	Bolt	10	99-7584	2	Washer-Differential
5	3253-4	8	Washer-Lock	11	99-7588	1	Pin-Spring
6	99-7578	1	Shaft-Differential	12	99-7562	2	Bearing-Ball
7	99-7579	2	Pinion-Differential	13	99-7585	2	Shim 0.1
8	99-7580	2	Washer-Differential	13	99-7586	2	Shim 0.2
				13	99-7587	2	Shim 0.4



## Axle Support Assembly Rear Axle Assembly No. 110-4750

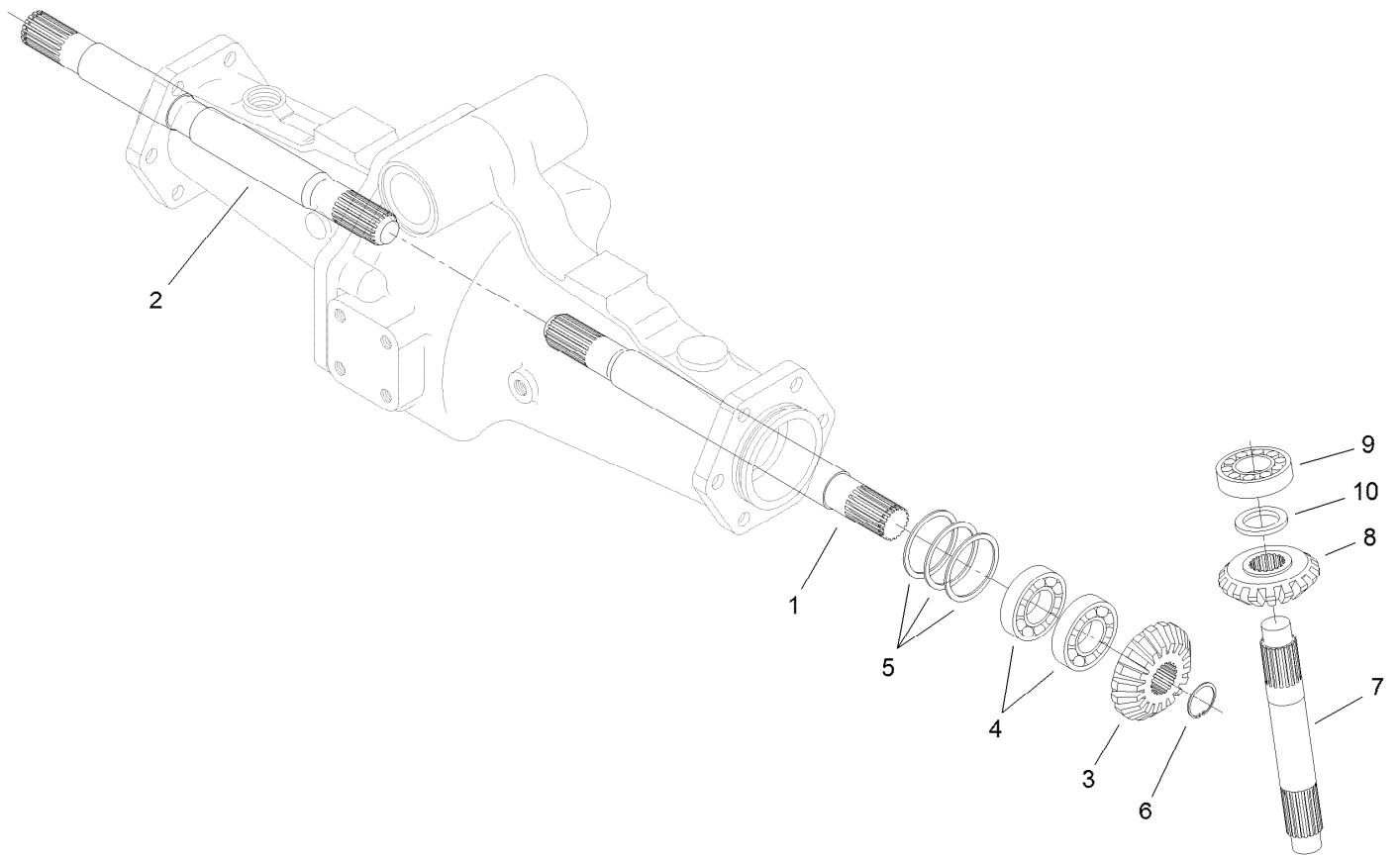
<i>Ref.</i>	<i>Part Number</i>	<i>Qty.</i>	<i>Description</i>
1	95-7508	1	Support-Axle
2	95-7506	1	Support-Axle
3	106-1067	1	O-Ring
4	95-7537	2	Bushing-Flanged
5	99-7590	2	Washer-Seal
6	99-7589	2	Plug
7	110-4812	1	Axle Vent ASM
7:3	110-4815	1	Insert-Filter, Foam
8	99-7592	8	Bolt
9	106-1068	2	O-Ring
10	104-2377	1	Extension-Vent
11	104-8643	1	Plug
12	104-8644	1	O-Ring



## Bevel Gear Case Assembly Rear Axle Assembly No. 110-4750

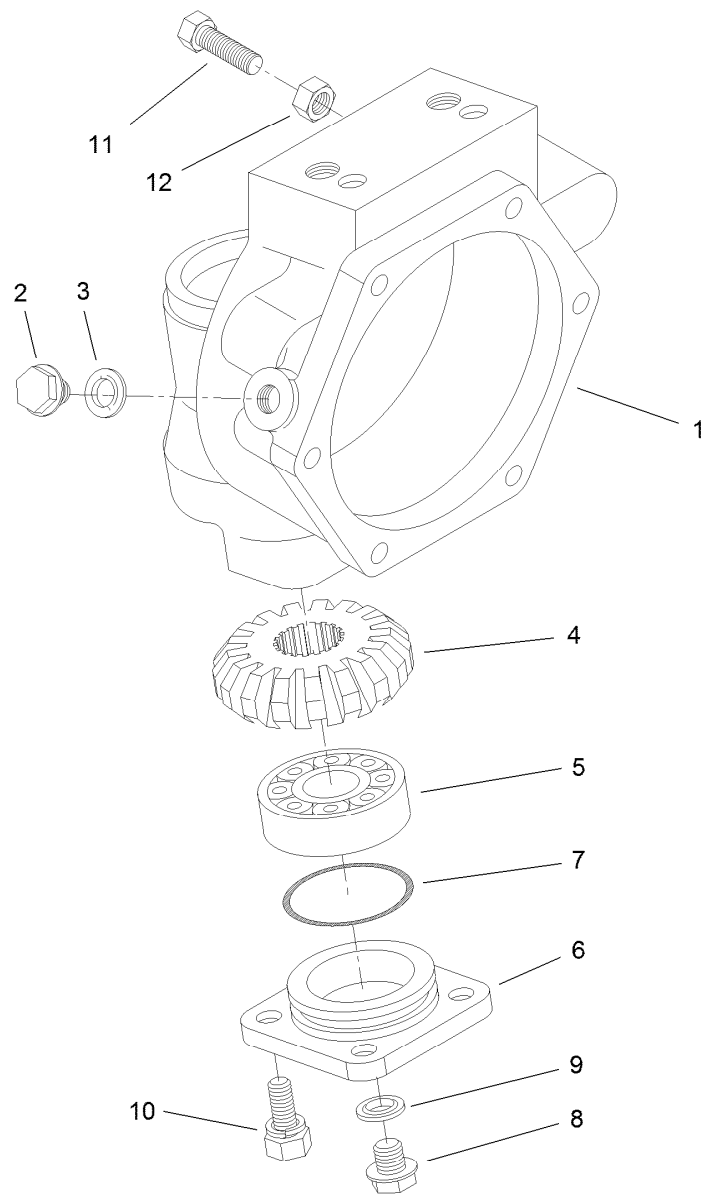
Ref.	Part Number	Qty.	Description	Ref.	Part Number	Qty.	Description
1	110-4752	2	Case-Gear, Bevel	12	104-2375	4	Bolt
2	110-4754	2	Seal-Oil	13	99-7599	8	Bolt
3	104-2378	2	Bushing	14	99-7525	4	Stud
4	106-1069	2	O-Ring	15	99-7526	4	Nut
5	104-2373	2	Knuckle	16	99-7527	4	Washer-Spring
6	104-2374	8	Bolt	18	106-1141	1	Steering Tie Rod ASM
7	100-3768	1	LH Steering Arm ASM	18:2	106-1113	2	Tie Rod End ASM - RH Thread
7:2	104-8634	1	Bushing	18:2:1	100-3853	1	Cover-Dust
7:3	106-1104	2	Fitting-Grease	18:2:2	100-3854	1	Nut-Castle
8	100-3766	1	RH Steering Arm ASM	18:2:3	110-4755	1	Fitting-Grease
8:2	104-8634	1	Bushing	18:2:4	3272-11	1	Pin-Cotter
8:3	106-1104	2	Fitting-Grease	18:5	100-3855	2	Bolt
10	95-7547	2	Shim 0.1	18:6	99-7527	2	Washer-Spring
10	95-7548	2	Shim 0.2	18:7	99-7526	2	Nut
10	95-7549	2	Shim 0.3				
11	99-7597	4	Pin-Dowel				





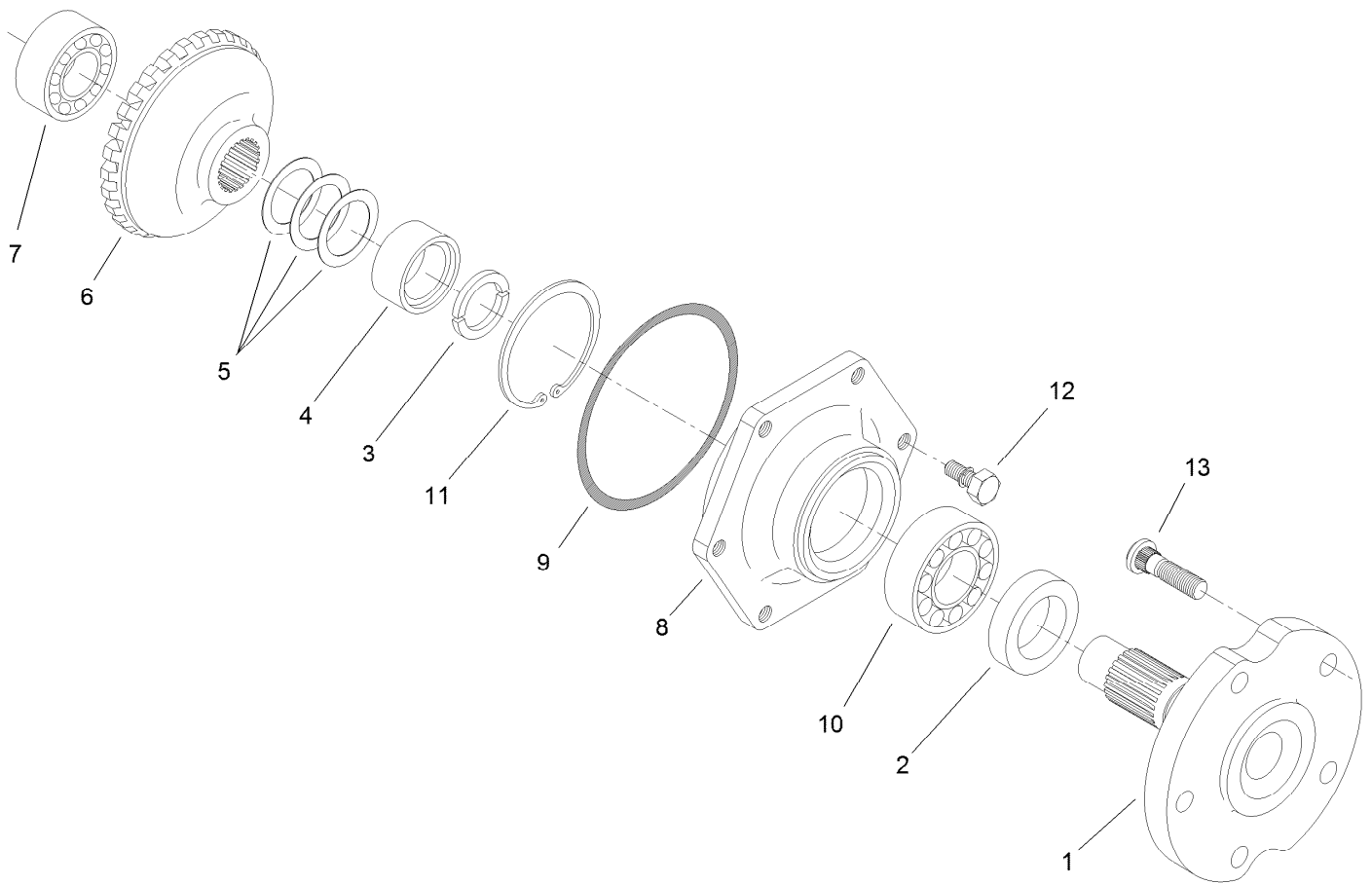
## Bevel Gear Shaft Assembly Rear Axle Assembly No. 110-4750

<i>Ref.</i>	<i>Part Number</i>	<i>Qty.</i>	<i>Description</i>
1	95-7509	1	Shaft-Gear, Differential
2	95-7512	1	Shaft-Gear, Differential
3	95-7517	2	Gear-Bevel, 15 Tooth
4	99-7530	4	Bearing-Ball
5	99-7552	2	Shim 0.1
5	99-7553	2	Shim 0.2
5	99-7554	2	Shim 0.5
6	99-7531	2	Clip
7	110-4753	2	Shaft-Gear, Bevel
8	95-7519	2	Gear-Bevel, 17 Tooth
9	99-7532	2	Bearing-Roller, Taper
10	99-7558	2	Collar



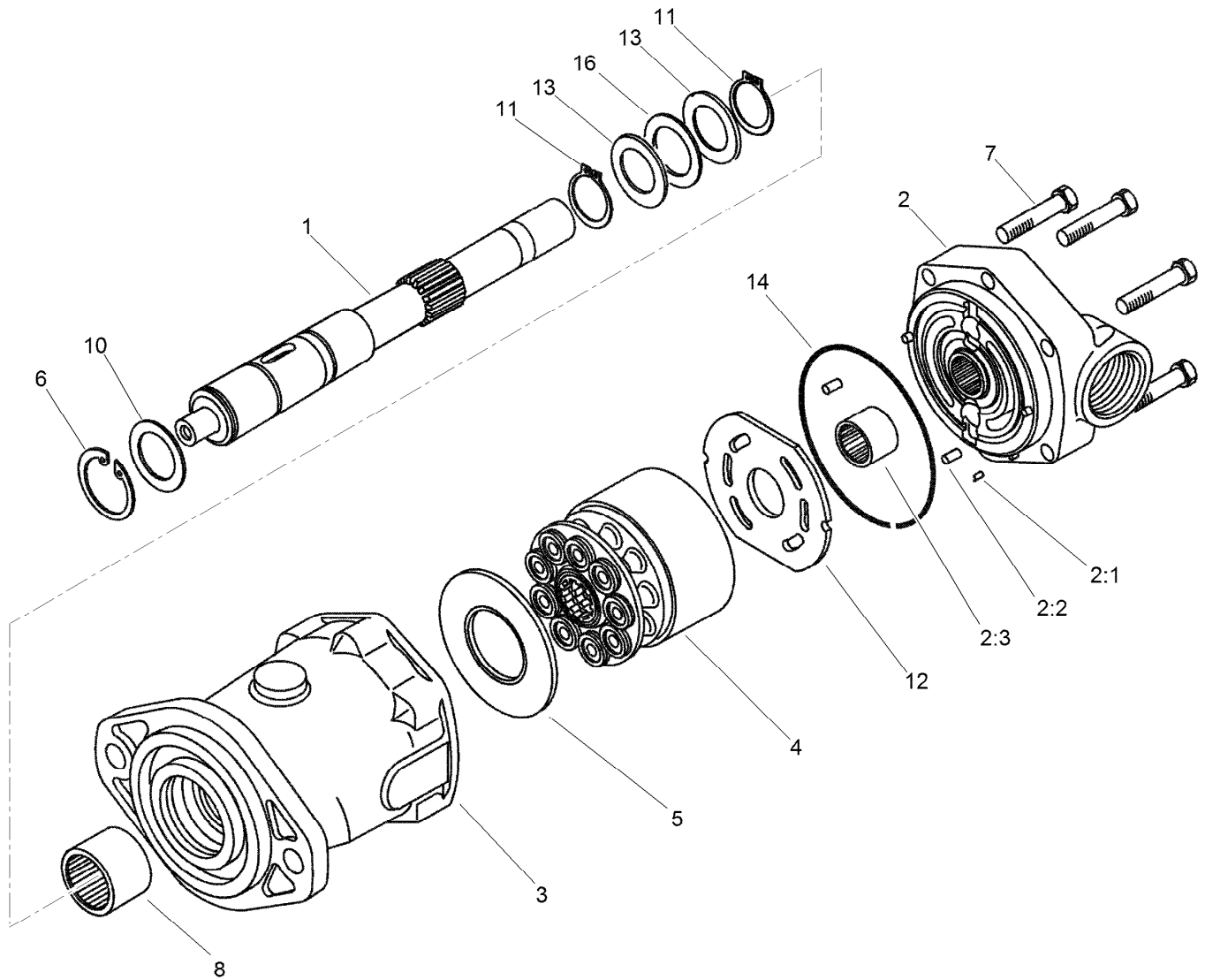
## Axle Case Assembly Rear Axle Assembly No. 110-4750

<i>Ref.</i>	<i>Part Number</i>	<i>Qty.</i>	<i>Description</i>
1	110-4751	2	Case-Axle
2	99-7535	2	Plug
3	99-7536	2	Washer-Seal
4	95-7527	2	Gear-Bevel, 17 Tooth
5	99-7532	2	Bearing-Roller, Taper
6	100-2560	2	Cover
7	106-1070	2	O-Ring
8	99-7589	2	Plug
9	99-7590	2	Washer-Seal
10	100-2562	8	Bolt
11	106-1102	2	Bolt-Stop
12	106-1103	2	Nut



## Axle Assembly Rear Axle Assembly No. 110-4750

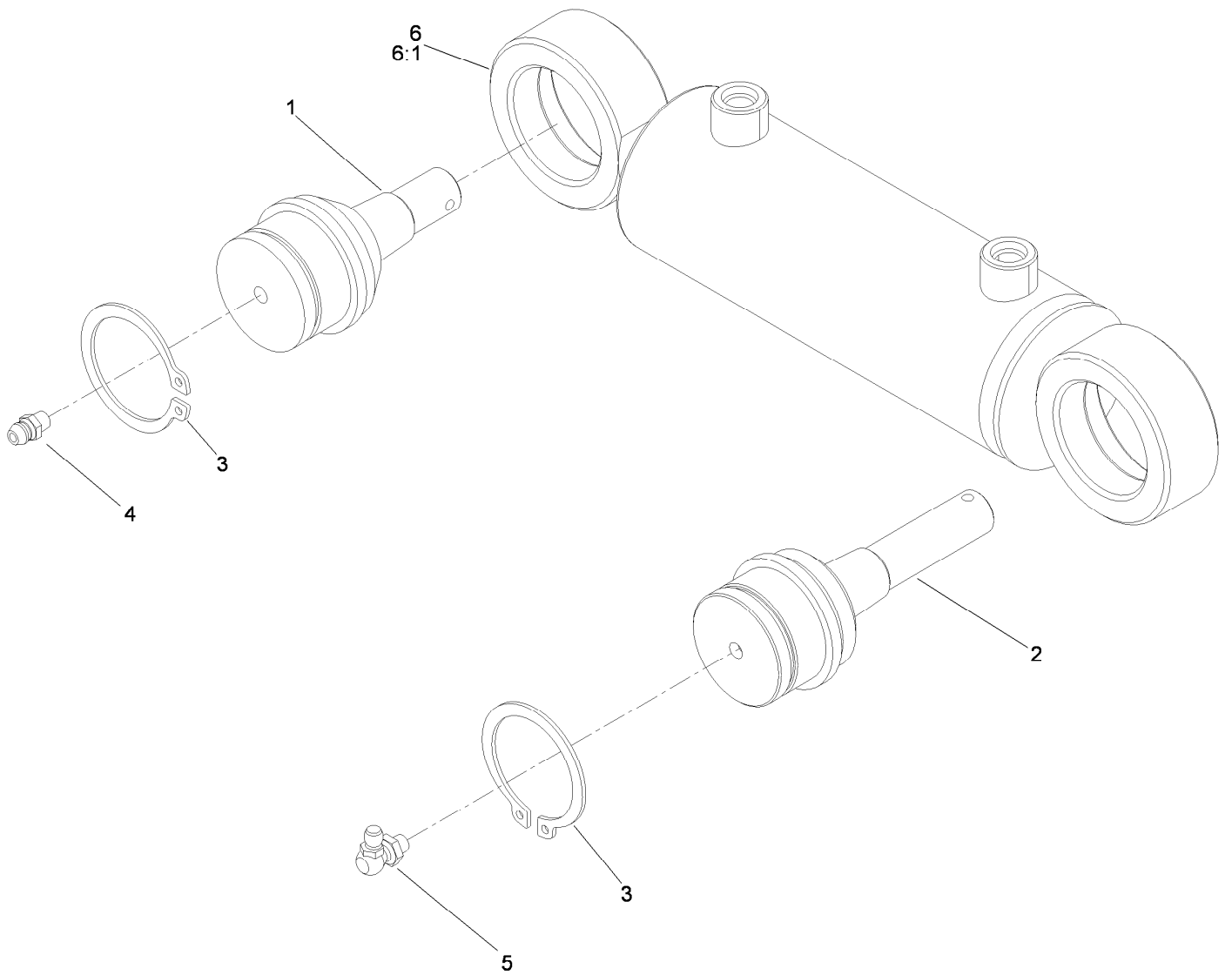
<i>Ref.</i>	<i>Part Number</i>	<i>Qty.</i>	<i>Description</i>
1	95-7522	2	Axle
2	99-7564	2	Seal-Oil
3	95-7544	4	Clip
4	95-7523	2	Spacer
5	99-7555	2	Shim 0.3
5	99-7556	2	Shim 0.2
5	99-7557	2	Shim 0.5
6	95-7524	2	Gear-Bevel, 29 Tooth
7	99-7534	2	Bearing-Ball
8	95-7521	2	Cover-Axle
9	106-1071	2	O-Ring
10	99-7561	2	Bearing-Ball
11	99-7539	2	Clip
12	99-7596	12	Bolt
13	99-7563	10	Stud



## Piston Motor Assembly No. 105-1219

Ref.	Part Number	Qty.	Description	Ref.	Part Number	Qty.	Description
1	105-2853	1	Shaft-Drive	7	94-3002	6	Capscrew
2	100-2551	1	Backplate	8	63-4390	1	Bearing-Needle
2:1		3	Pin-Dowel ●	10	76-7020	1	Spacer
2:2		1	Pin-Dowel ●	11	76-7000	2	Ring-Retaining
2:3		1	Bearing-Needle ●	12	94-3003	1	Plate-Valve
3		1	Housing ●	13	76-6950	2	Race-Thrust
4	76-6910	1	Rotating Kit	14	76-6980	1	O-Ring
5	76-6970	1	Insert-Plate, Cam	16	76-6960	1	Bearing-Thrust
6	60-6260	1	Ring				

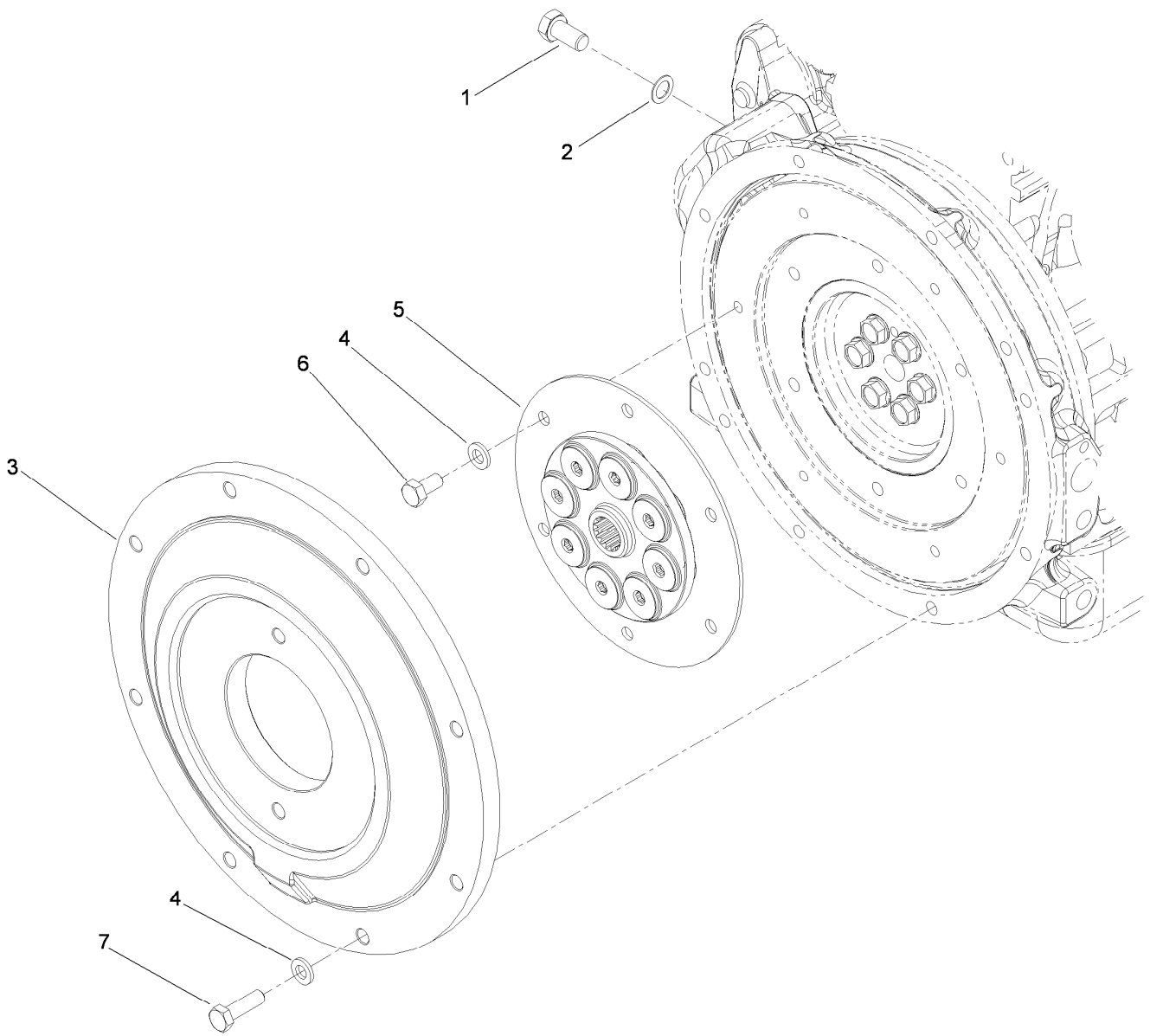
● Not serviced separately



## Steer Cylinder Assembly No. 119-3903

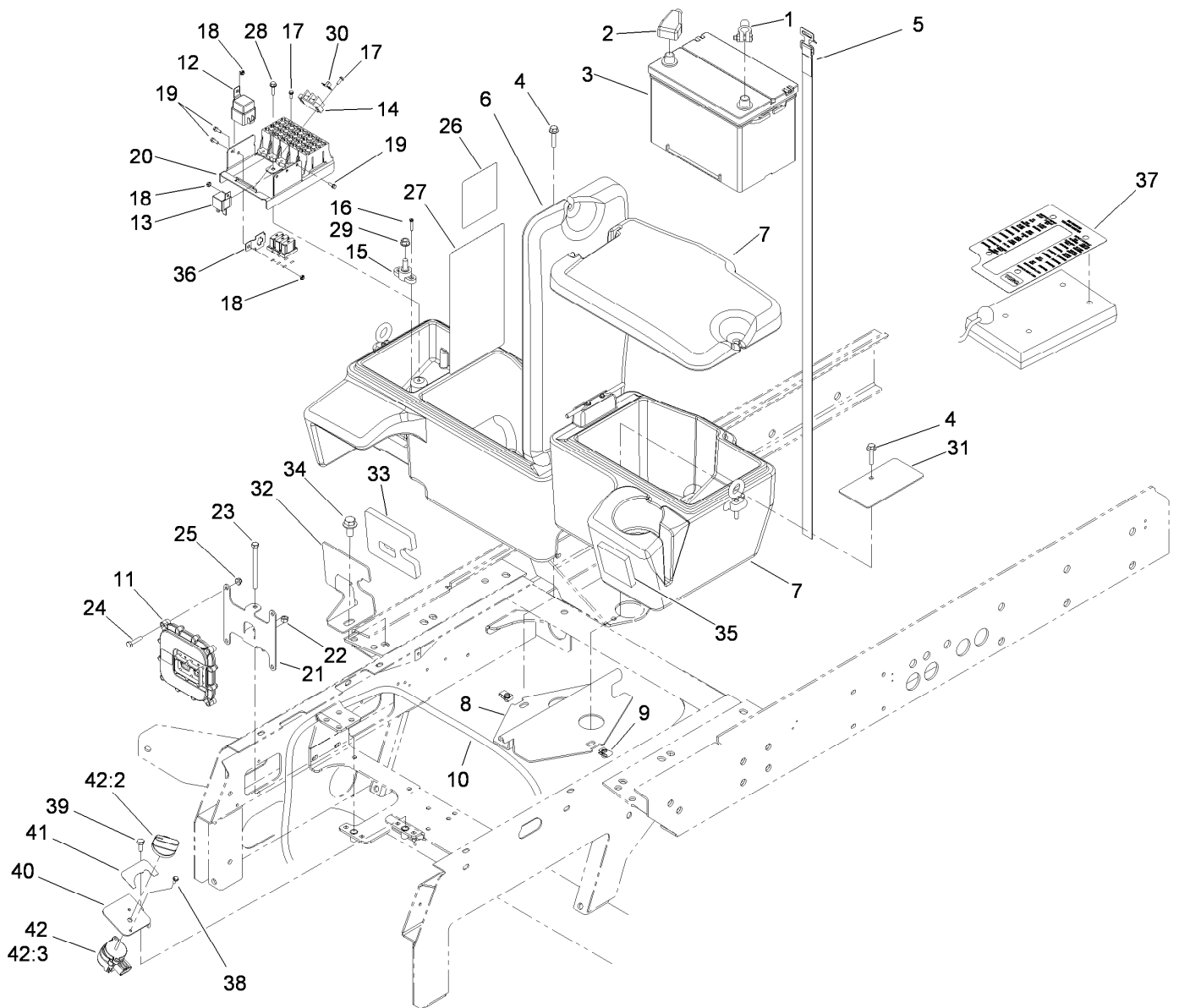
<i>Ref.</i>	<i>Part Number</i>	<i>Qty.</i>	<i>Description</i>
1	106-6774	1	Joint-Ball
2	100-3795	1	Joint-Ball
3	32151-104	2	Ring-Retaining, External
4	302-5	1	Fitting-Grease
5	302-60	1	Fitting-Grease
6	125-1661	1	Cylinder-HYD
6:1	125-1681	1	Cylinder Repair Kit ●

● Not illustrated



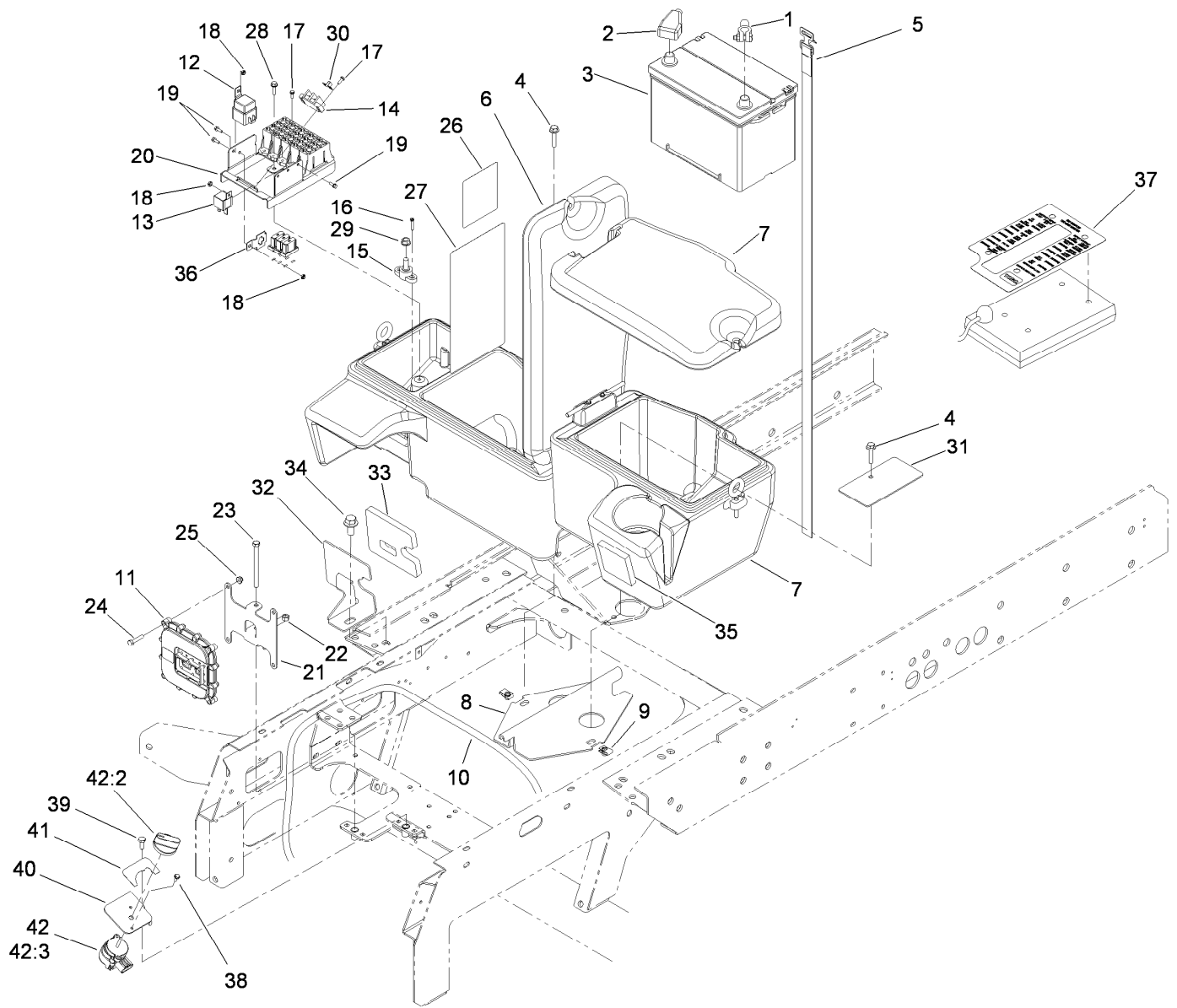
## Flywheel Coupler Assembly

<i>Ref.</i>	<i>Part Number</i>	<i>Qty.</i>	<i>Description</i>
1	42-9250	1	Bolt
2	3255-2	1	Washer-Lock / EXT
3	115-6657-03	1	Plate-Flywheel
4	107-1413	14	Washer-Hardened
5	114-3848	1	Coupler-Spring, Flywheel
6	99-5130	6	Bolt
7	117-5663	8	Screw-HH



## Electrical Assembly

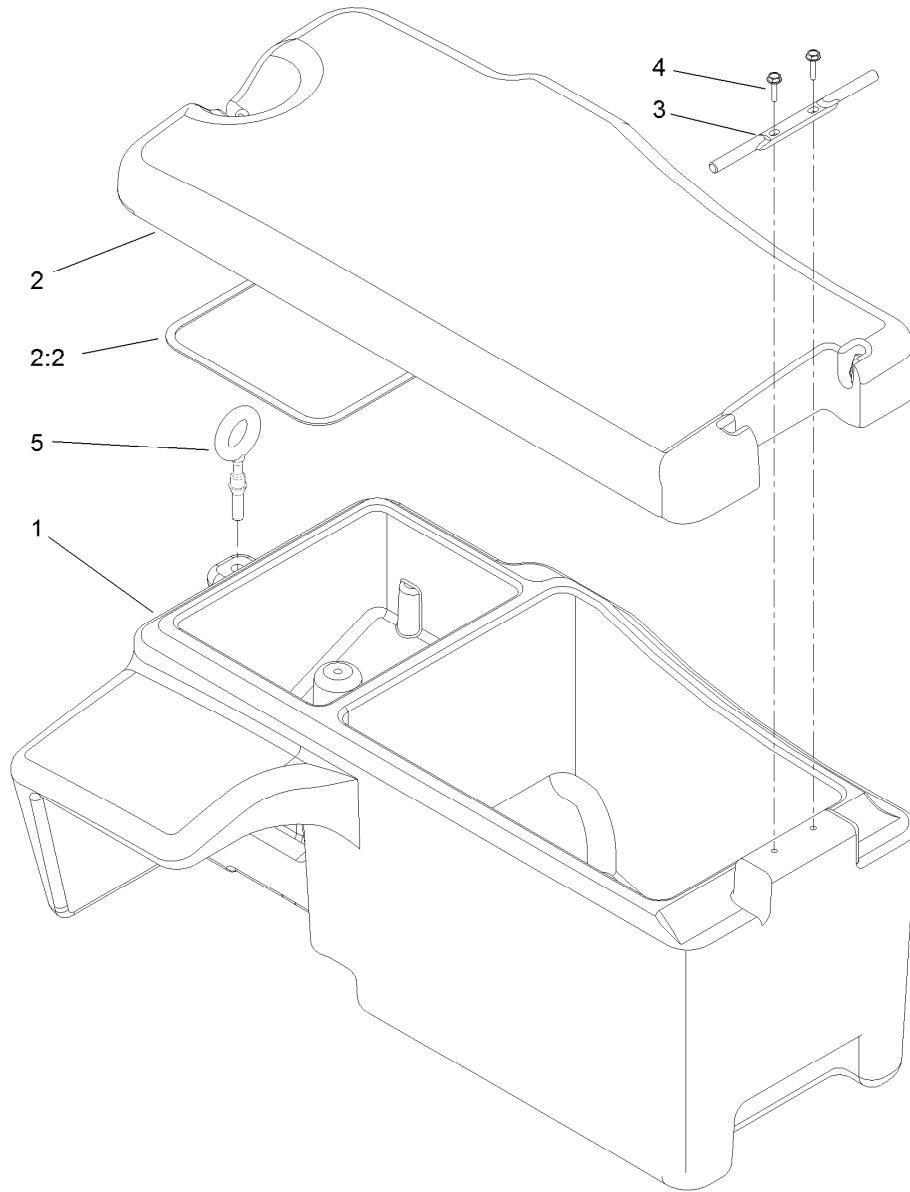
Ref.	Part Number	Qty.	Description	Ref.	Part Number	Qty.	Description
1	117-2377	1	Cable-Battery, Negative	21	117-2360-03	1	Bracket-Mount, Controller
2	117-2376	1	Cable-Battery, Positive	22	3217-6	1	Nut-Hex
3	106-5190	1	Battery-Dry	23	322-19	1	Screw-HH
4	115-1794	2	Screw-HHF	24	321-8	4	Screw-HH
5	3339-175	1	Strapping-Web	25	104-7201	4	Nut-HF
6	115-9100	1	Box-Storage, Battery	26	120-1672	1	Decal-Fuse
7	115-9101	1	Box-Storage	27	120-1671	1	Decal-Service
8	115-4387-03	1	Support-Box, Storage	28	46-8091	1	Screw-HWH
9	112-3306	2	Nut	29	3290-357	1	Nut-HHF, Whiz
10	119-1302	1	Harness-Wire, Power Center	30	42863	1	Strip-Jumper
11	114-3321	1	Controller-Tec	31	117-4768-03	1	Plate-Box, Storage
12	99-7430	1	Relay	32	117-4774-03	1	Clamp
13	99-7435	3	Relay-Power	33	117-4775	1	Seal-Battery Box
14	42862	1	Block-Terminal, Ground	34	3234-6	1	Screw-HHF
15	110-8822	1	Block-Junction	35	117-4783	2	Seal-Foam
16	93-0231	2	Screw-PPH	36	114-5502	1	Clip-Fuse
17	32144-87	6	Screw-HWHTF	37	120-1679	1	Decal-Diagnostic Controller
18	3296-54	5	Nut-Lock	38	112-6349	2	Screw-HWH
19	112-3169	5	Screw-HHF, Serrated	39	322-3	1	Screw-HH
20	115-4356-03	1	Mount-Fuse Block	40	119-3904-03	1	Bracket-Hmi Sensor
				41	119-3905	1	Decal-Sensor



## Electrical Assembly (continued)

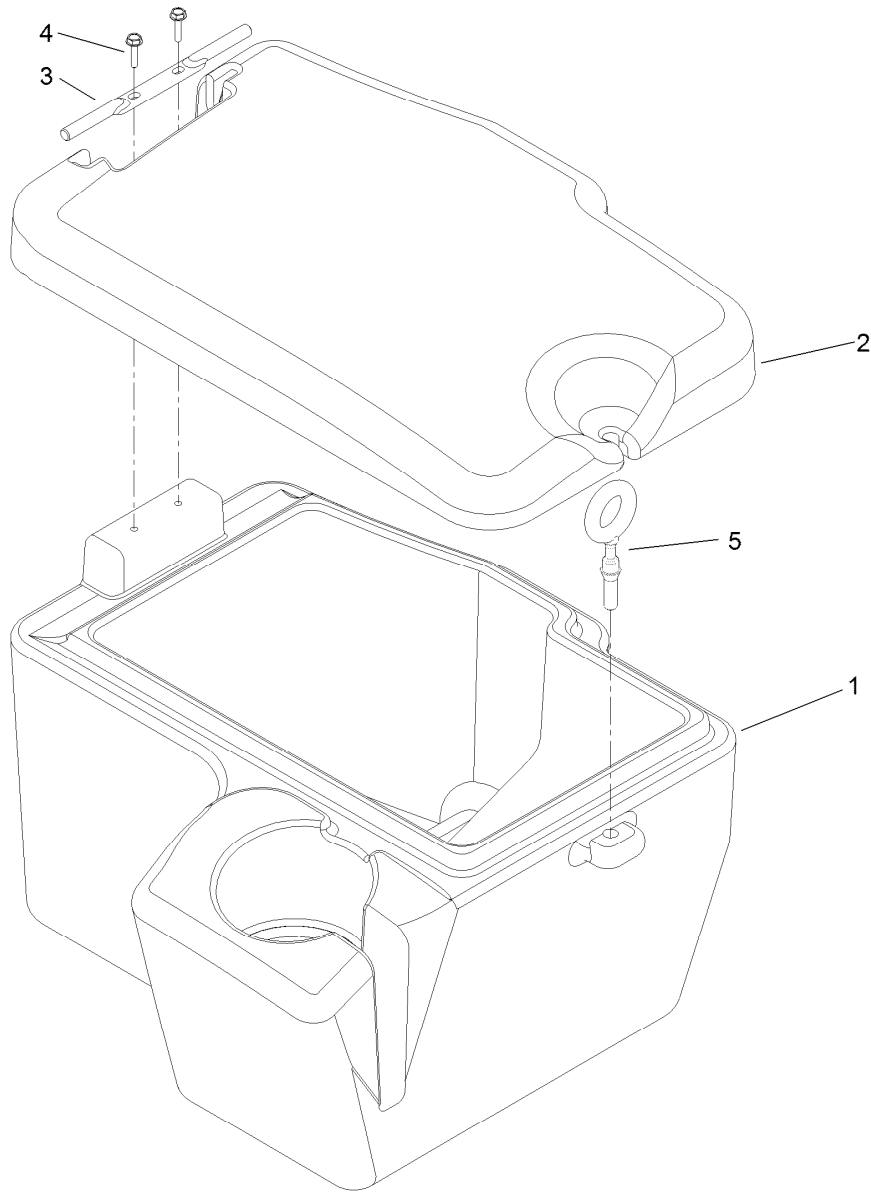
<i>Ref.</i>	<i>Part Number</i>	<i>Qty.</i>	<i>Description</i>	<i>Ref.</i>	<i>Part Number</i>	<i>Qty.</i>	<i>Description</i>
42	119-1081	1	Hmi ASM	42:2	119-1083	1	Knob-Hmi
				42:3	119-0737	1	Sensor-Position





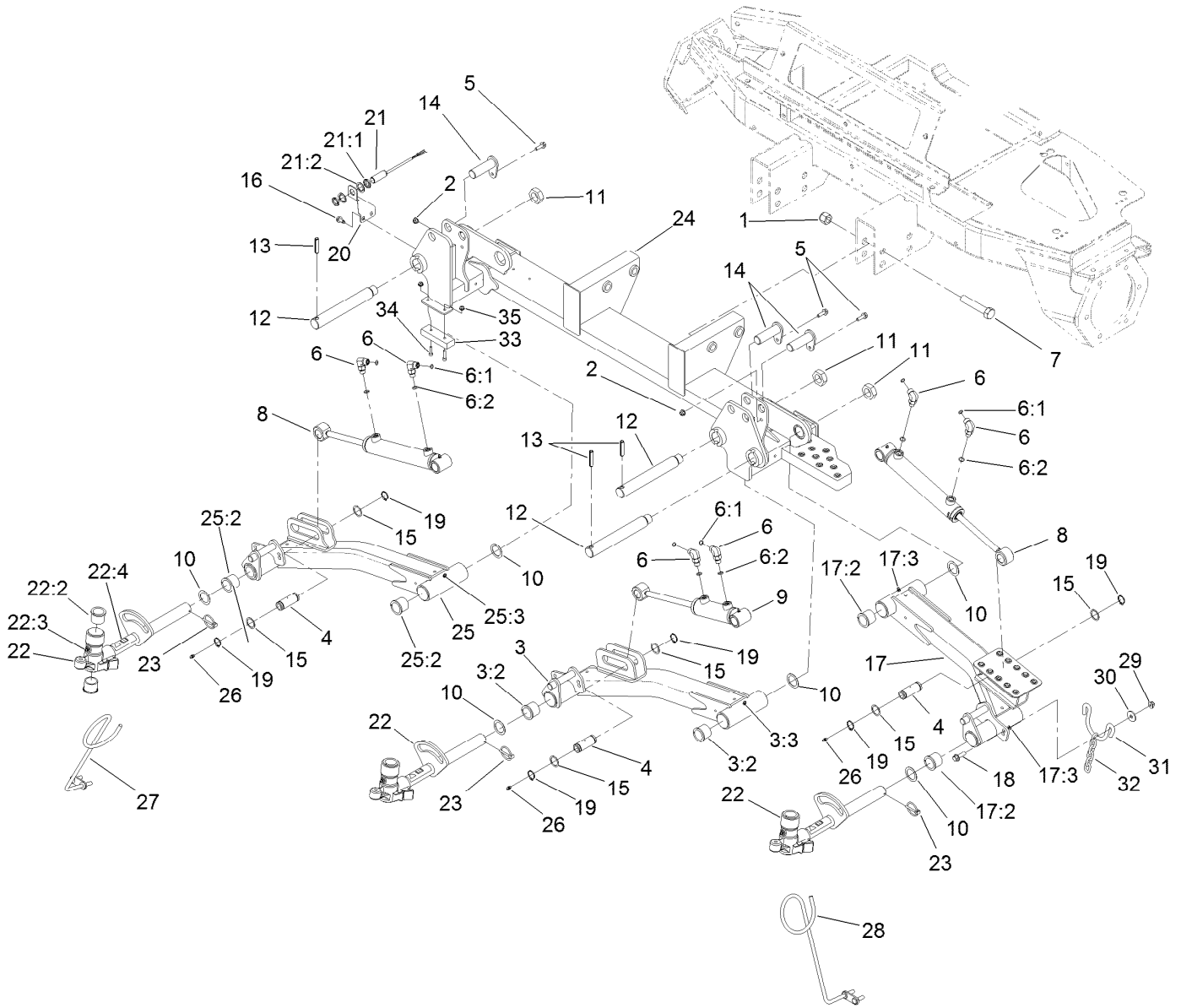
## Battery Storage Box Assembly No. 115-9100

<i>Ref.</i>	<i>Part Number</i>	<i>Qty.</i>	<i>Description</i>
1	114-8124	1	Box-Storage, RH
2	115-4368	1	Cover ASM
2:2	115-4367	1	Seal-Cover
3	114-8132	1	Hinge-Cover
4	98-1375	2	Screw-HWH
5	115-4366	1	Latch-Rubber



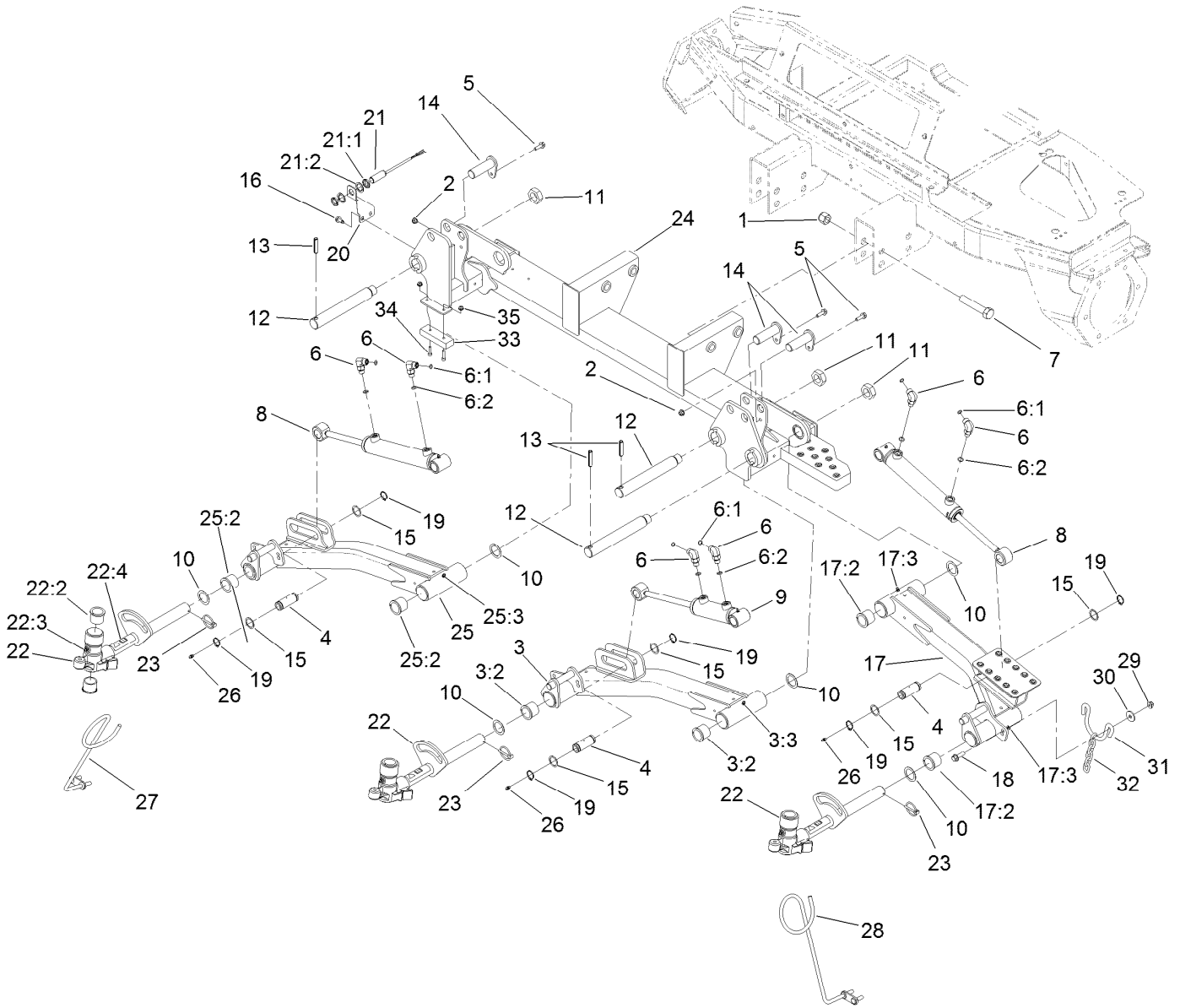
## Storage Box Assembly No. 115-9101

<i>Ref.</i>	<i>Part Number</i>	<i>Qty.</i>	<i>Description</i>
1	114-8123	1	Box-Storage, LH
2	114-8125	1	Cover-Storage Box, LH
3	114-8132	1	Hinge-Cover
4	98-1375	2	Screw-HWH
5	115-4366	1	Latch-Rubber



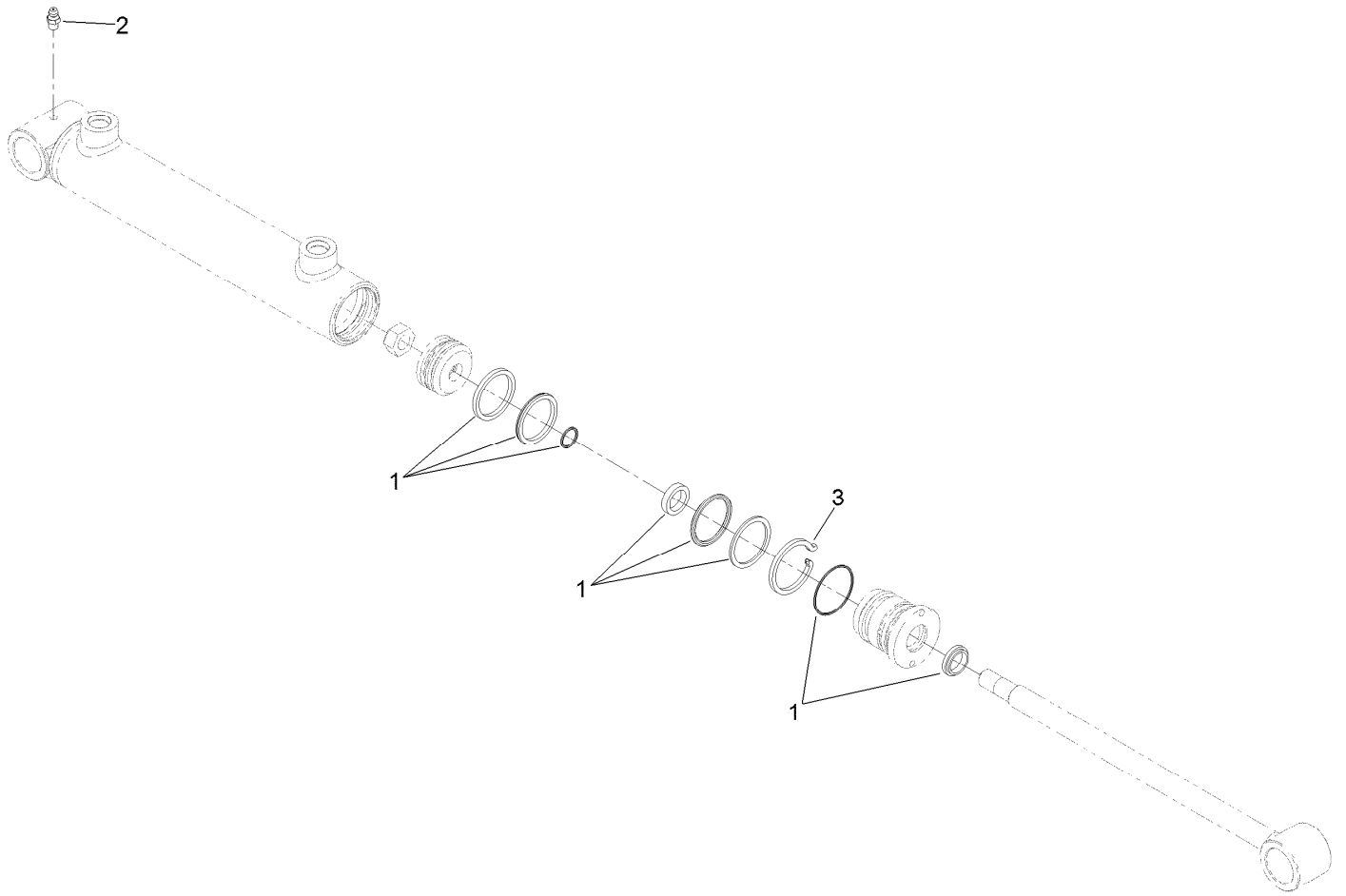
## Front Lift Arm Assembly

Ref.	Part Number	Qty.	Description	Ref.	Part Number	Qty.	Description
1	3296-51	4	Nut-Lock, NI	17:2	104-0015	4	Bushing-Flange
2	104-8300	3	Nut-Flange, NI	17:3	302-5	2	Fitting-Grease
3	119-1501	1	#1 Lift Arm ASM	18	119-4061	6	Screw-HHF
3:2	104-0015	4	Bushing-Flange	19	32151-36	6	Ring-Retaining
3:3	302-5	2	Fitting-Grease	20	119-1506	1	Bracket-Switch
4	119-3894	3	Pin-Plain	21	115-5300	1	Proximity Switch ASM
5	3234-17	3	Screw-HHF	21:1	117-3207	2	Nut-Hex
6	340-77	6	Fitting-HYD, 90 DEG	21:2	117-3208	2	Washer-Lock, Internal Tooth
6:1	237-22	1	O-Ring	22	117-0954	3	Pivot Yoke ASM
6:2	237-42	1	O-Ring	22:2	104-0015	2	Bushing-Flange
7	328-7	4	Screw-HH	22:3	302-5	1	Fitting-Grease
8	125-1660	2	Cylinder-HYD	22:4	110-9642	1	Decal-Warning
9	125-1658	1	Cylinder-HYD	23	92-1298	3	Pin-Lynch
10	76-2980	6	Washer-Thrust	24	119-1508-03	1	Front Carrier Frame ASM
11	3296-49	3	Nut-Lock, NI	25	119-1505	1	#5 Lift Arm ASM
12	119-1499	3	Pin-Pivot	25:2	104-0015	4	Bushing-Flange
13	32121-110	3	Pin-Roll, Slotted	25:3	302-5	2	Fitting-Grease
14	125-1906	3	Cylinder Pin	26	302-5	3	Fitting-Grease
15	5-1550	6	Washer	27	119-3920	1	Guide-Hose, RH
16	32104-32	2	Screw-HWH	28	119-3921	1	Guide-Hose, LH
17	119-1504	1	#4 Lift Arm ASM	29	104-8301	6	Nut-Flange, NI



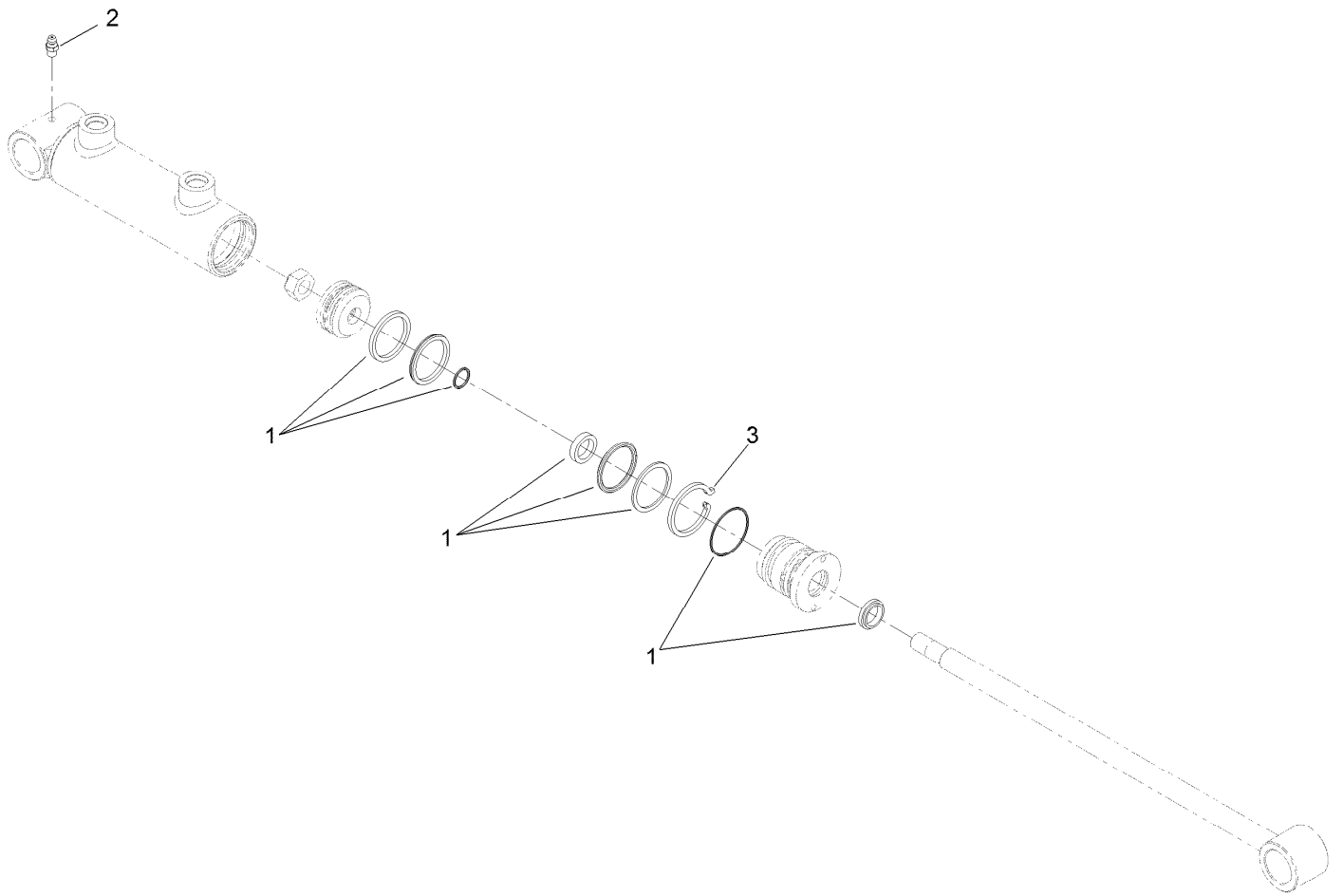
## Front Lift Arm Assembly (continued)

<i>Ref.</i>	<i>Part Number</i>	<i>Qty.</i>	<i>Description</i>	<i>Ref.</i>	<i>Part Number</i>	<i>Qty.</i>	<i>Description</i>
30	63-8410	6	Washer	33	125-1657	2	Bumper-Pad, Recessed
31	110-0922	3	Hoop-Chain	34	3274-9	4	Screw-HSH
32	5-1096	3	Chain-Lift	35	104-7201	4	Nut-HF



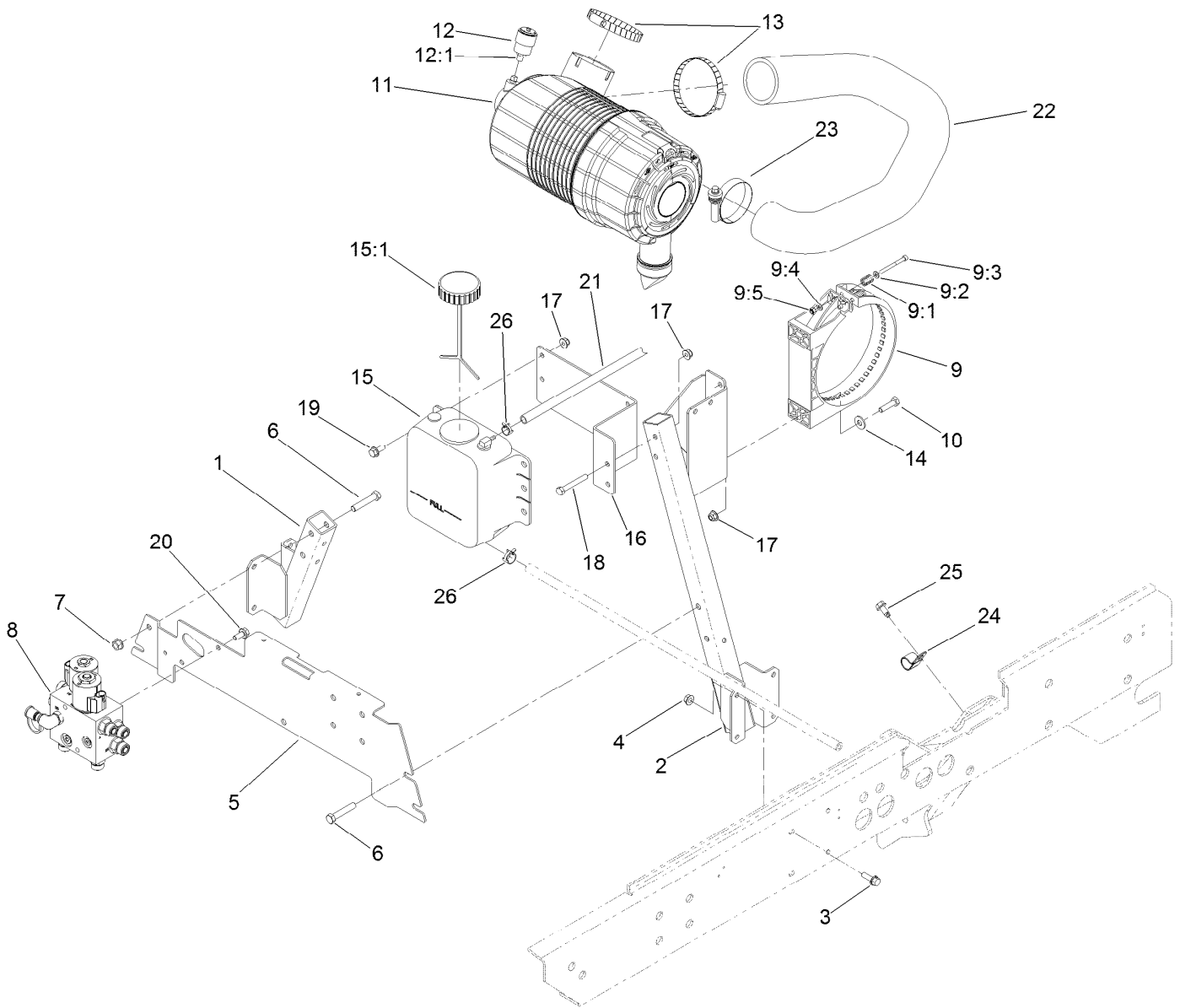
## Hydraulic Cylinder Assembly No. 125-1660

<i>Ref.</i>	<i>Part Number</i>	<i>Qty.</i>	<i>Description</i>
1	125-1680	1	Repair Kit-Cylinder
2	302-5	1	Fitting-Grease
3	84-1680	1	Ring-Retaining



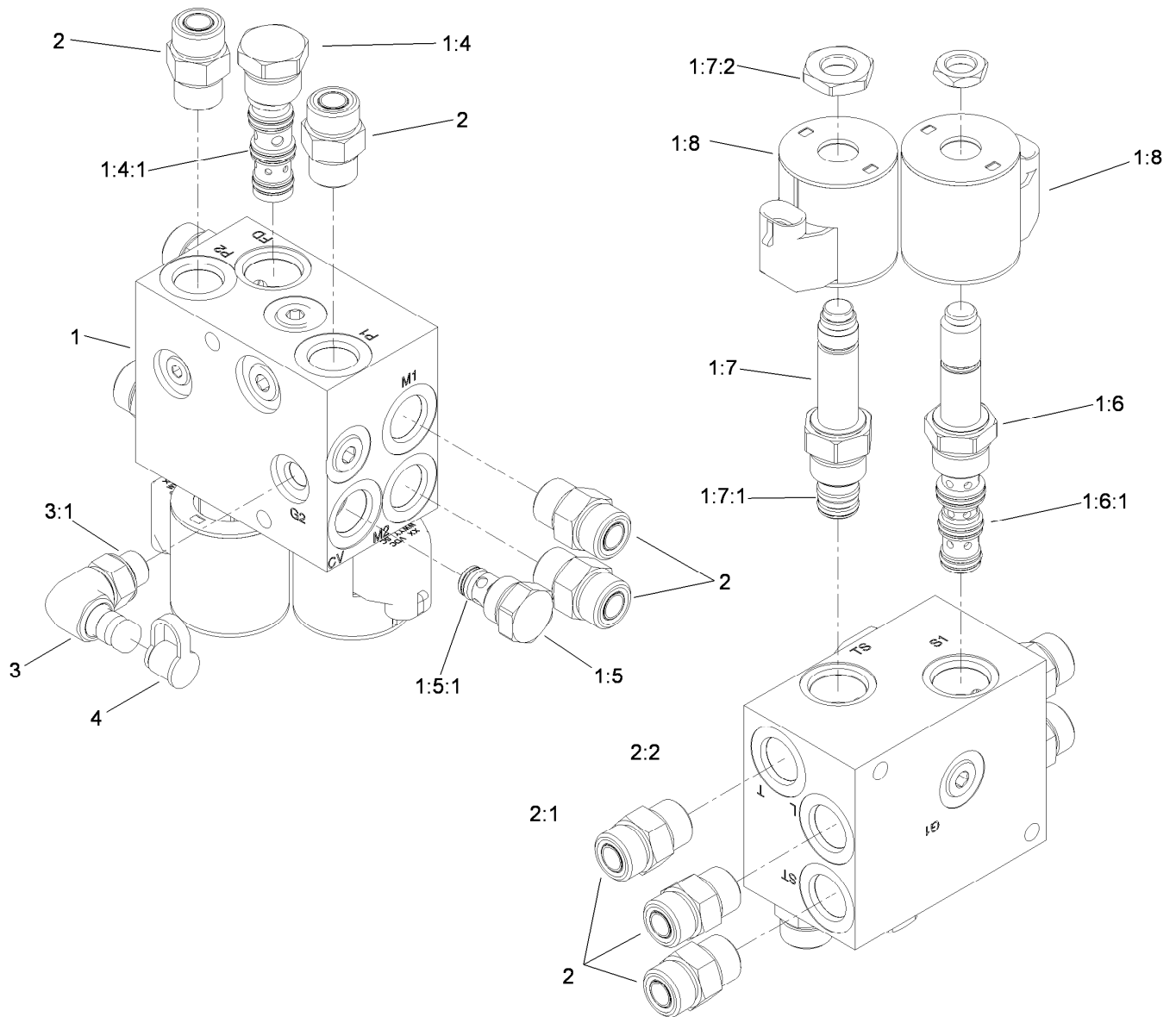
## Hydraulic Cylinder Assembly No. 125-1658

<i>Ref.</i>	<i>Part Number</i>	<i>Qty.</i>	<i>Description</i>
1	125-1680	1	Repair Kit-Cylinder
2	302-5	1	Fitting-Grease
3	84-1680	1	Ring-Retaining



## Air Cleaner and Fan Manifold Assembly

<i>Ref.</i>	<i>Part Number</i>	<i>Qty.</i>	<i>Description</i>	<i>Ref.</i>	<i>Part Number</i>	<i>Qty.</i>	<i>Description</i>
1	104-5420-03	1	Support-Battery	12:1	94-1416	1	Adapter-Indicator
2	119-1549-03	1	A/C Bracket ASM	13	2412-110	2	Clamp-Hose
3	3234-29	8	Screw-HHF	14	3256-3	2	Washer-Flat
4	32128-20	8	Nut-HF	15	120-5571	1	Coolant Reservoir ASM
5	114-8134-03	1	Bracket-Support	15:1	87-7050	1	Cap-Reservoir
6	323-10	4	Screw-HH	16	114-4187-03	1	Bracket-Tank
7	32128-21	4	Nut-HF	17	104-8300	8	Nut-Flange, NI
8	119-3943	1	Fan Drive Manifold ASM	18	322-11	2	Screw-HH
9	99-5414	1	Strap-Cleaner, Air	19	3234-47	4	Screw-HHF
9:1	108-1512	2	Spring	20	100-1668	2	Screw-Flange
9:2	3256-22	2	Washer-Flat	21	110-3258	1	Hose-Fuel
9:3	33113-050	2	Screw-HH	22	119-1452	1	Hose-Air Cleaner
9:4	33093-00	2	Washer-Flat	23	104-9240	1	Clamp-Hose
9:5	33023-00	2	Nut-Lock	24	2412-4	1	Clamp
10	322-6	2	Screw-HH	25	32104-32	1	Screw-HWH
11	99-5410	1	Air Cleaner ASM	26	92-2379	2	Clamp-Hose
12	104-3563	1	Indicator				



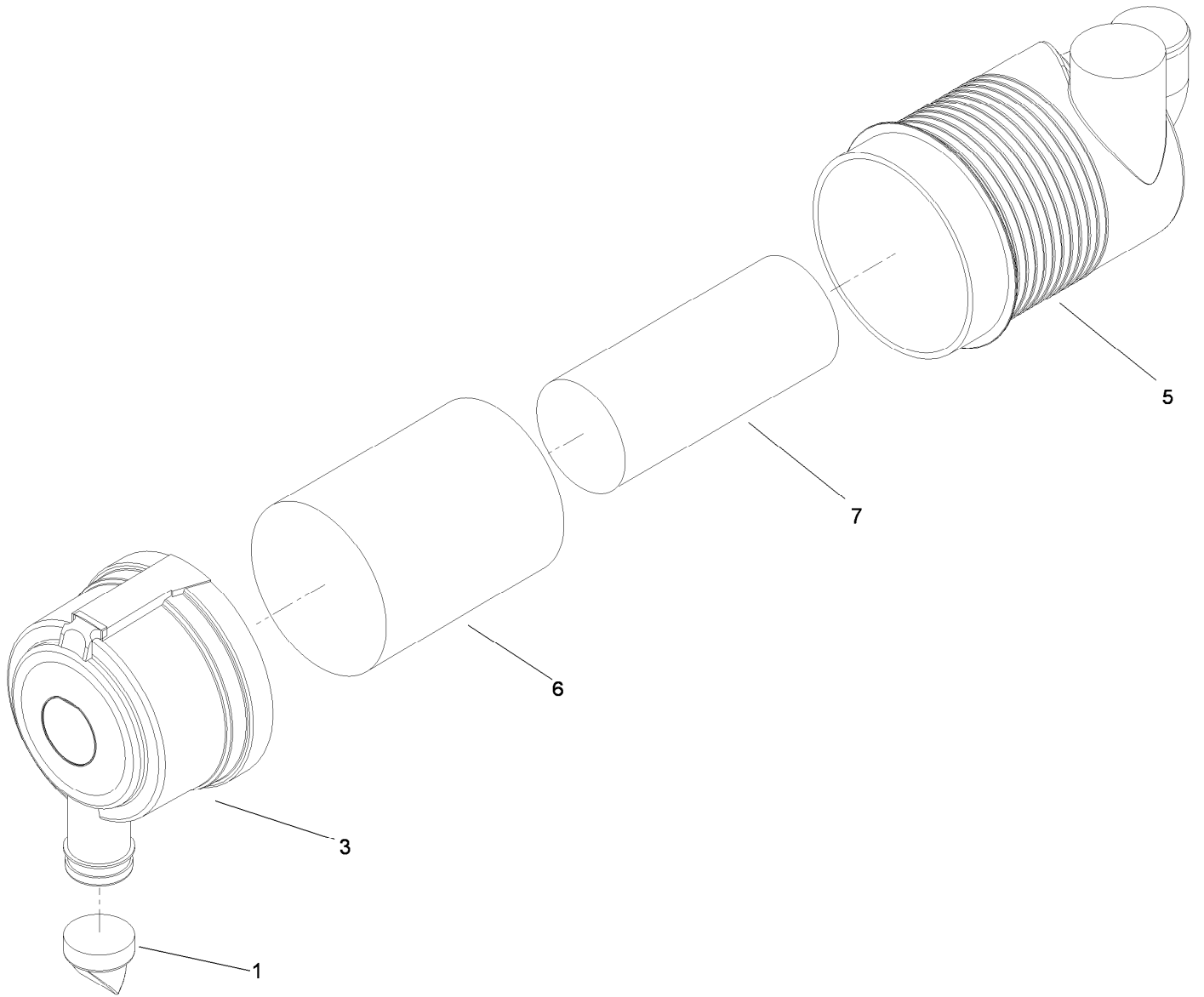
## Fan Drive Manifold Assembly No. 119-3943

Ref.	Part Number	Qty.	Description
1		1	Fan Drive Manifold ASM ●
1:4	115-3024	1	Flow Divider
1:4:1	115-3025	1	Seal Kit
1:5	105-9321	1	Check Valve ASM
1:5:1	105-9156	1	Seal Kit
1:6	115-3023	1	Solenoid Valve ASM
1:6:1	110-8908	1	Spool Valve Seal Kit
1:7	115-3022	1	Relief-Proportional
1:7:1	110-6316	1	Seal Kit

Ref.	Part Number	Qty.	Description
1:7:2	119-7715	1	Nut-Coil
1:8	110-6344	2	Coil-12V, Dc
2	340-4	7	Fitting-HYD, Straight
2:1	237-30	1	O-Ring
2:2	237-79	1	O-Ring
3	115-9147	1	Fitting-Elbow, 90 DEG
3:1	237-78	1	O-Ring
4	354-79	1	Cap-Dust

● Not serviced separately

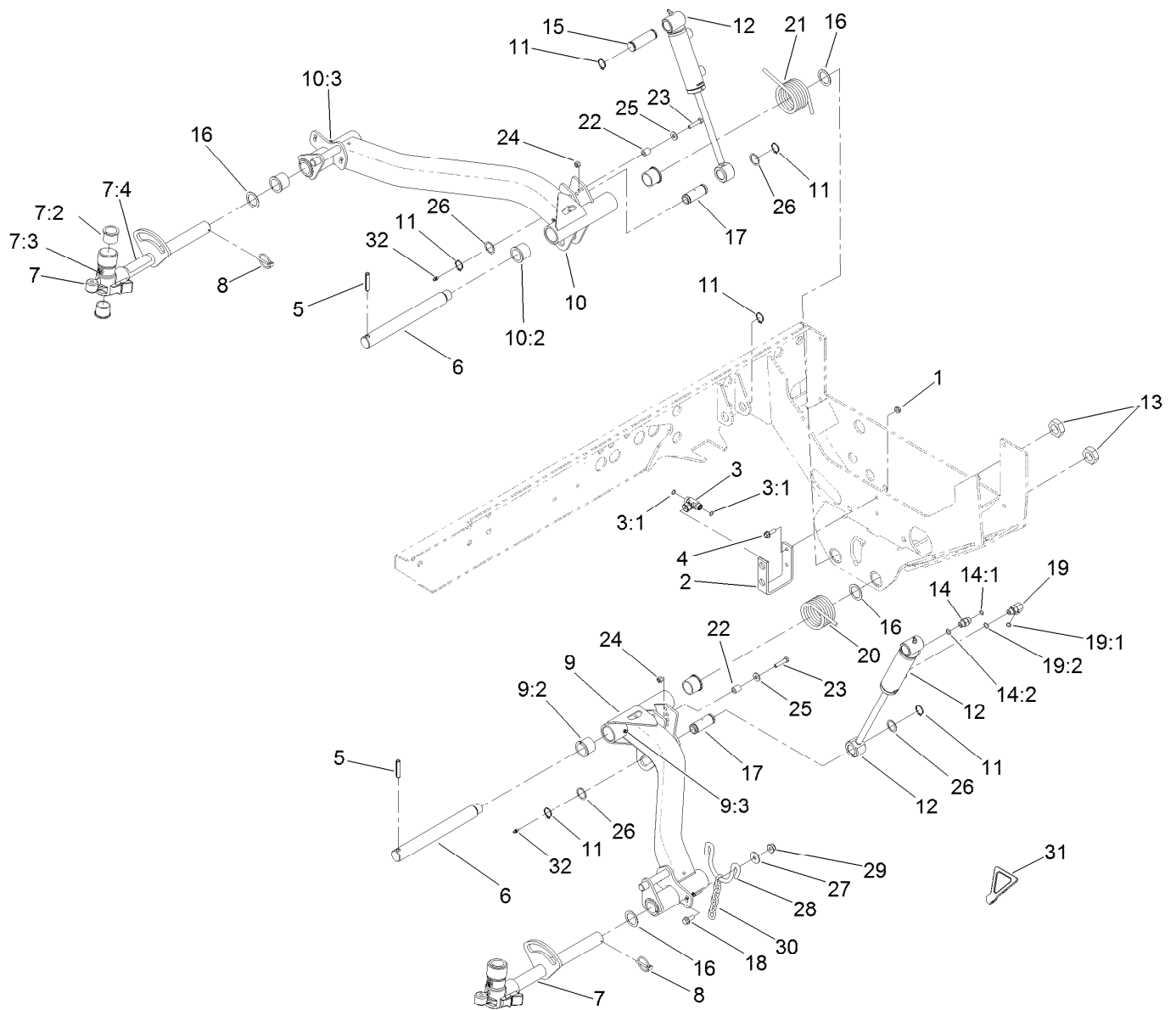




## Air Cleaner Assembly No. 99-5410

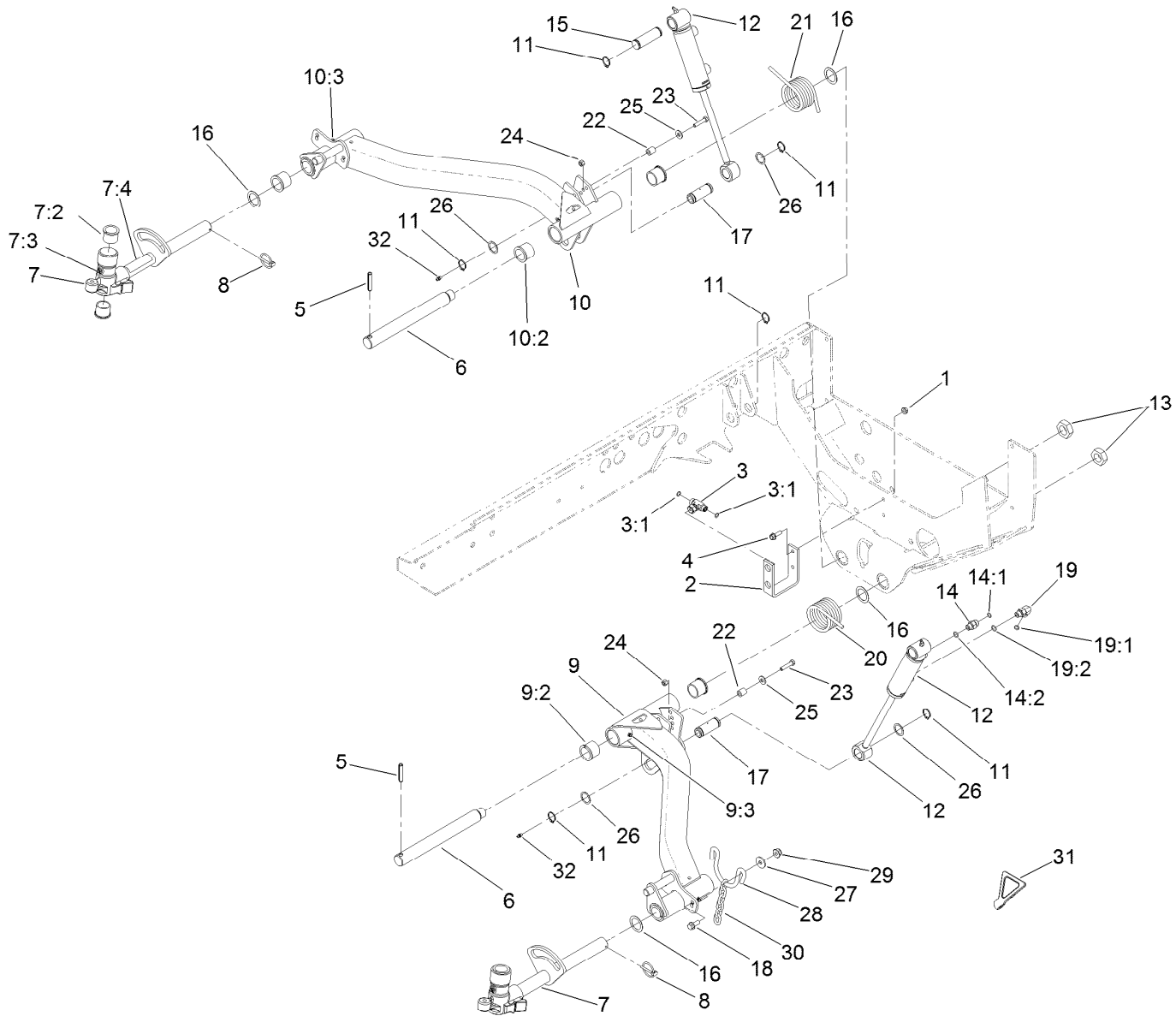
Ref.	Part Number	Qty.	Description
1	104-4258	1	Valve-Vacuator
3	104-4259	1	Cover
5		1	Body ASM ●
6	108-3814	1	Filter-Air
7	108-3816	1	Filter-Air

● Not serviced separately



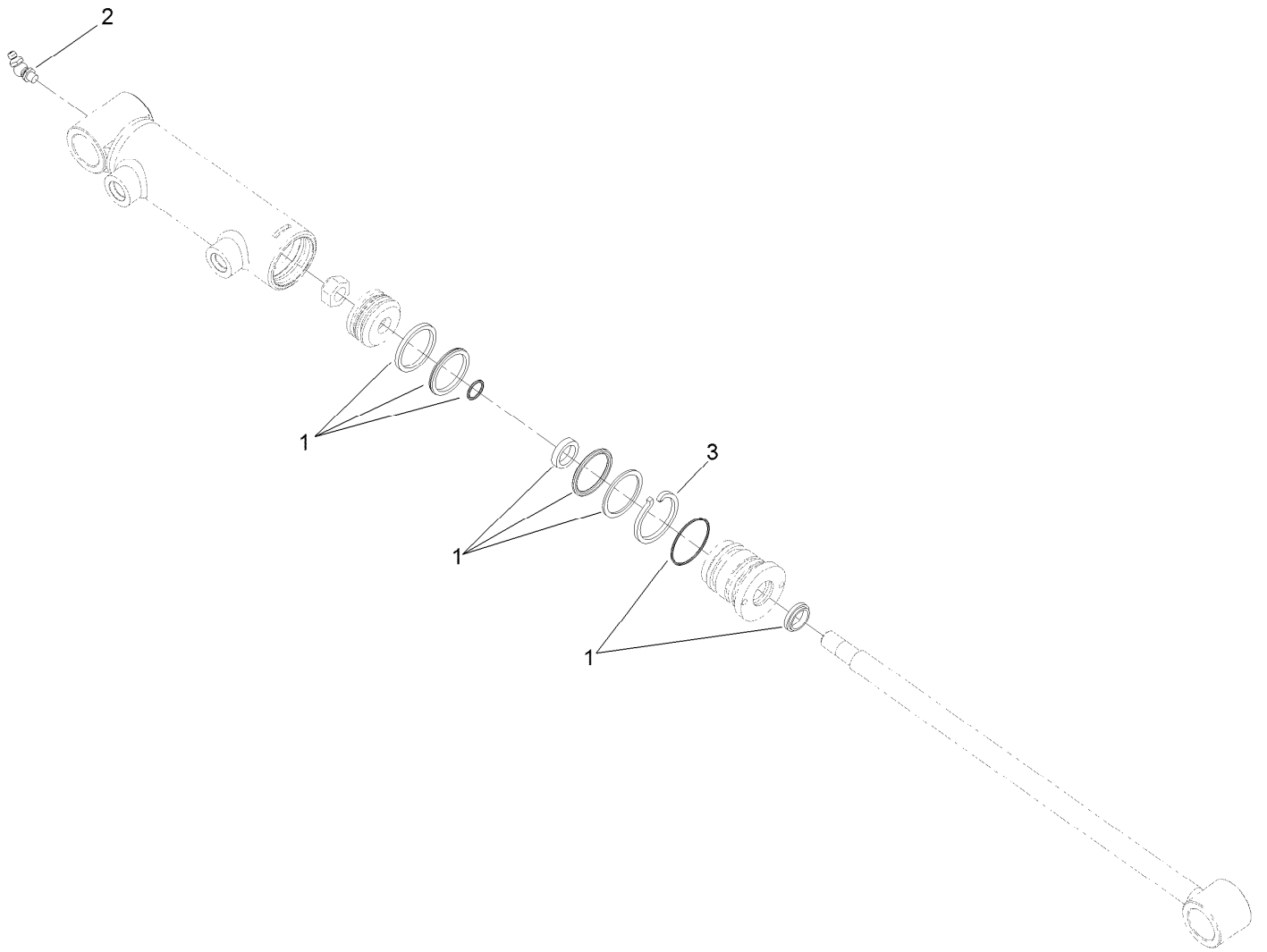
## No. 2 and 3 Lift Arm Assembly

Ref.	Part Number	Qty.	Description	Ref.	Part Number	Qty.	Description
1	32128-20	2	Nut-HF	14	340-2	2	Fitting-HYD, Straight
2	105-3992-03	1	Bracket-Bulkhead	14:1	237-22	1	O-Ring
3	340-166	2	Fitting-Tee, HYD	14:2	237-42	1	O-Ring
3:1	237-22	2	O-Ring	15	92-7548	2	Pin-Cylinder
4	3234-17	2	Screw-HHF	16	76-2980	4	Washer-Thrust
5	32121-110	2	Pin-Roll, Slotted	17	119-3894	2	Pin-Plain
6	95-7158	2	Pin-Pivot	18	119-4061	4	Screw-HHF
7	117-0954	2	Pivot Yoke ASM	19	340-77	2	Fitting-HYD, 90 DEG
7:2	104-0015	2	Bushing-Flange	19:1	237-22	1	O-Ring
7:3	302-5	1	Fitting-Grease	19:2	237-42	1	O-Ring
7:4	110-9642	1	Decal-Warning	20	119-1480	1	Spring-Torsion, LH
8	92-1298	2	Pin-Lynch	21	119-1481	1	Spring-Torsion, RH
9	119-1502	1	#2 Lift Arm ASM	22	82-6840	2	Spacer
9:2	104-0015	4	Bushing-Flange	23	322-7	2	Screw-HH
9:3	302-5	2	Fitting-Grease	24	3296-29	2	Nut-Lock, NI
10	119-1503	1	#3 Lift Arm ASM	25	3256-3	2	Washer-Flat
10:2	104-0015	4	Bushing-Flange	26	5-1550	4	Washer
10:3	302-5	2	Fitting-Grease	27	63-8410	4	Washer
11	32151-36	8	Ring-Retaining	28	110-0922	2	Hoop-Chain
12	125-1659	2	Cylinder-HYD	29	104-8301	4	Nut-Flange, NI
13	3296-49	2	Nut-Lock, NI	30	5-1096	2	Chain-Lift



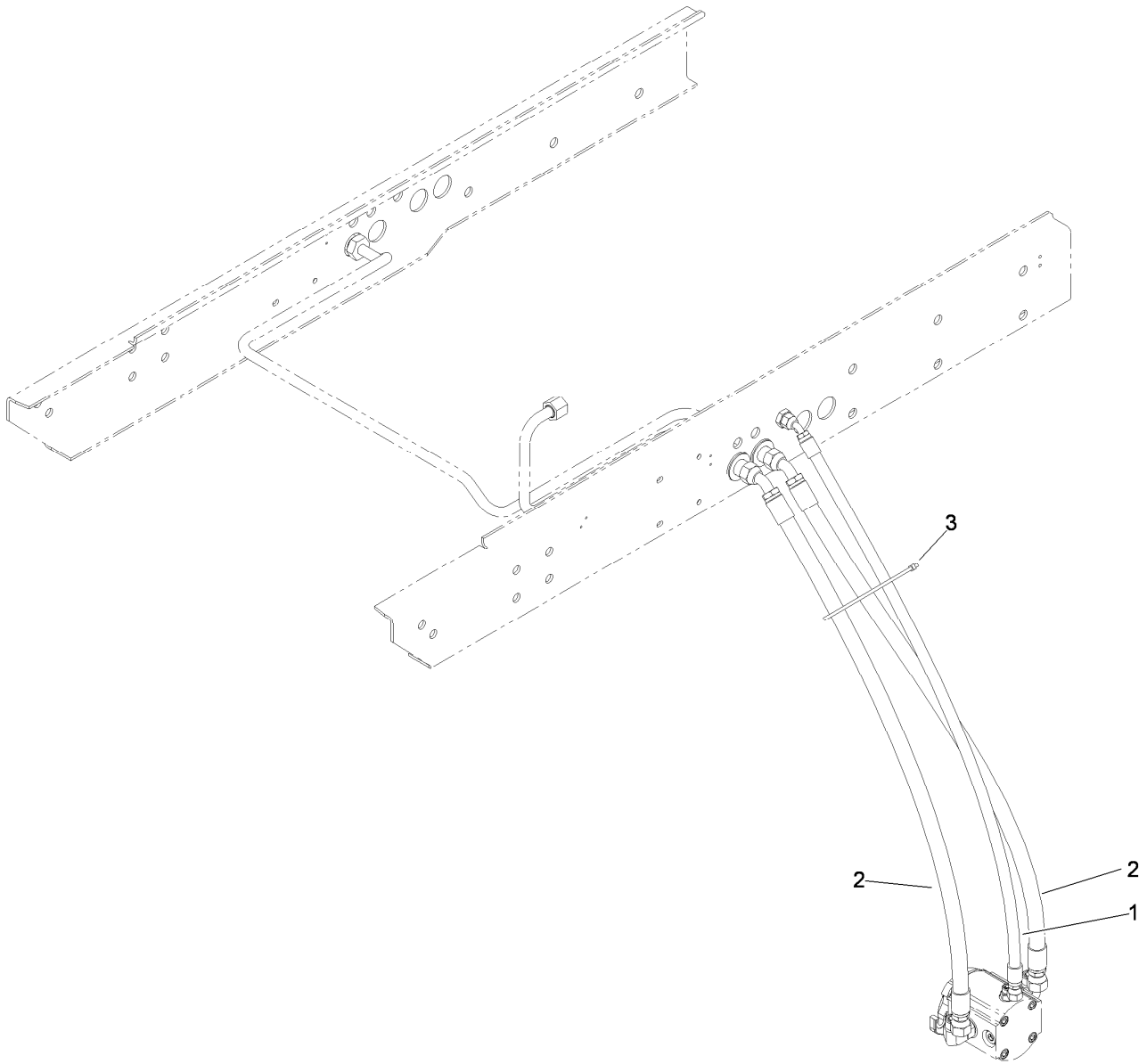
## No. 2 and 3 Lift Arm Assembly (continued)

Ref.	Part Number	Qty.	Description
31	119-8010-03	1	Kickstand
32	302-5	2	Fitting-Grease



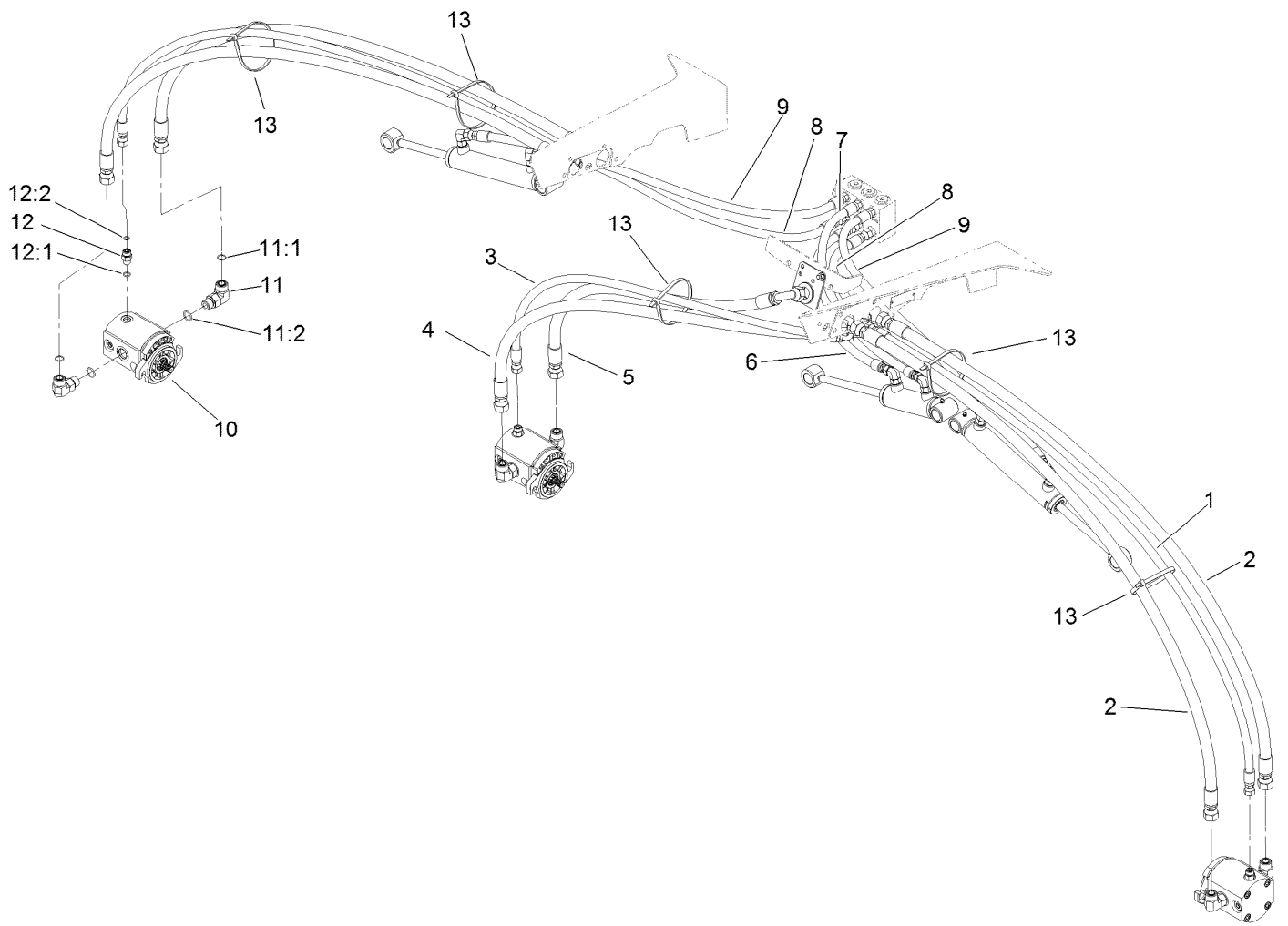
## Hydraulic Cylinder Assembly No. 125-1659

<i>Ref.</i>	<i>Part Number</i>	<i>Qty.</i>	<i>Description</i>
1	125-1680	1	Repair Kit-Cylinder
2	302-10	1	Fitting-Grease
3	84-1680	1	Ring-Retaining



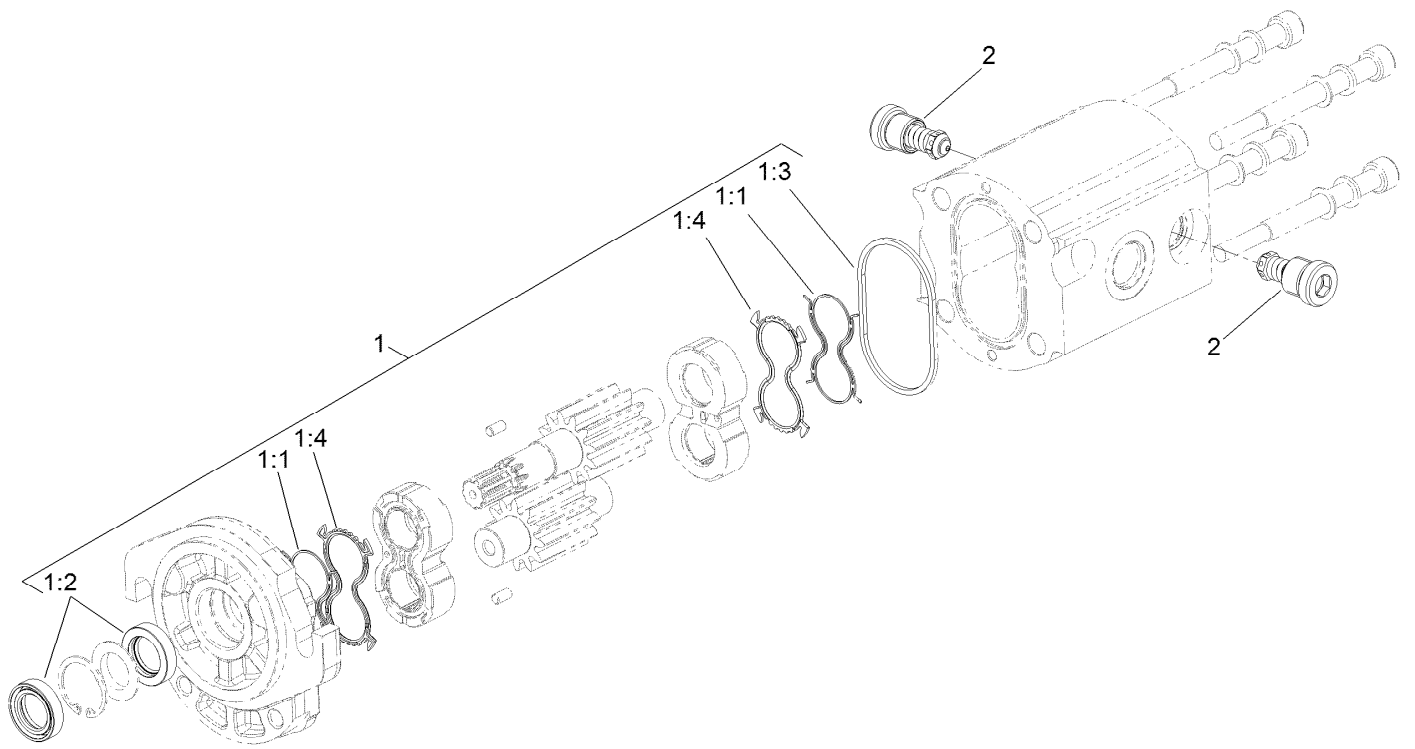
## No. 2 and 3 Hydraulic Hose Assembly

<i>Ref.</i>	<i>Part Number</i>	<i>Qty.</i>	<i>Description</i>
1	119-3914	2	Hose ASM
2	119-3913	4	Hose ASM
3	3334-945	2	Tie-Cable



## No. 1, 4 and 5 Hydraulic Hose Assembly

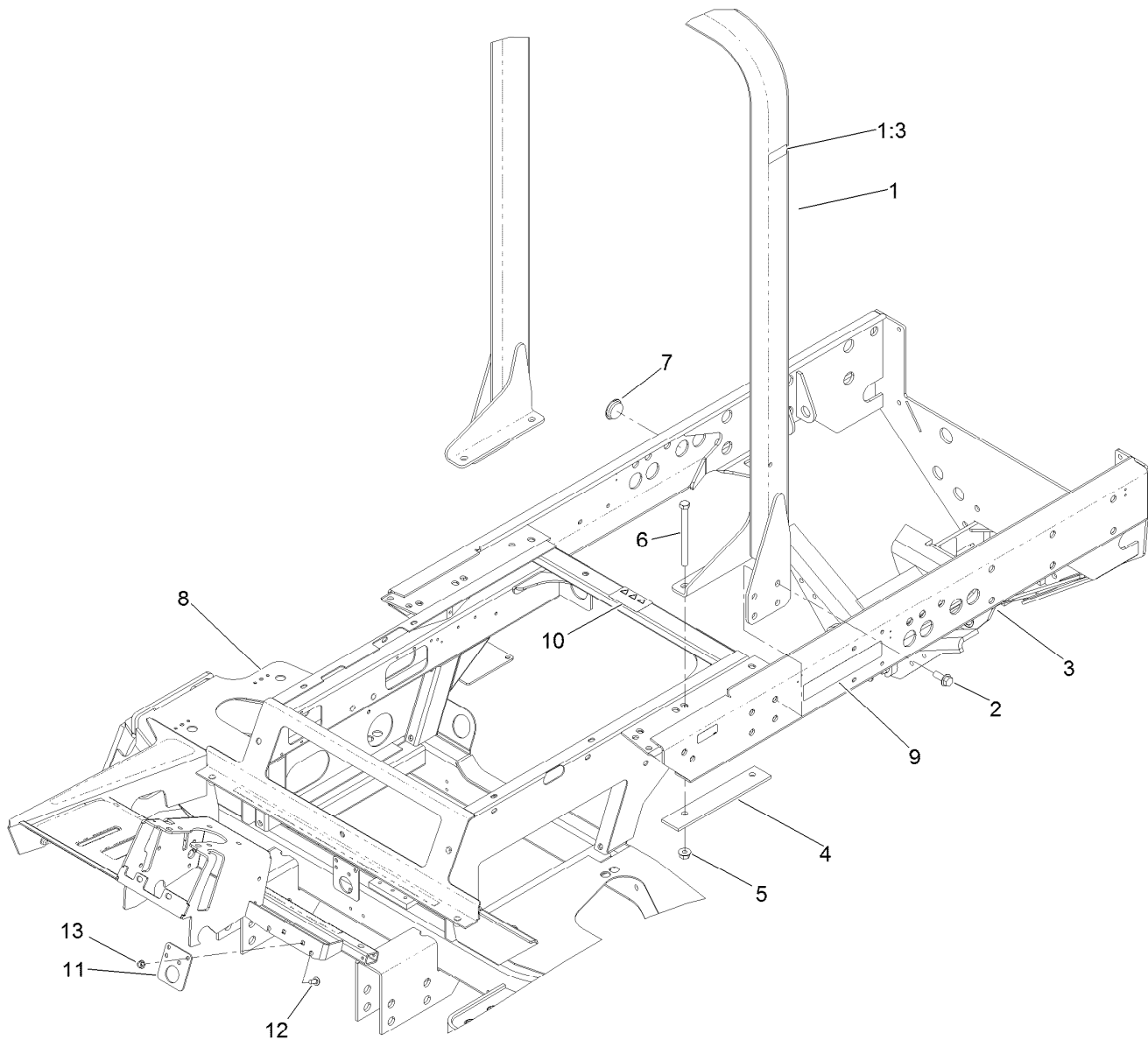
<i>Ref.</i>	<i>Part Number</i>	<i>Qty.</i>	<i>Description</i>	<i>Ref.</i>	<i>Part Number</i>	<i>Qty.</i>	<i>Description</i>
1	125-1654	2	Hose ASM	10	115-8250	5	Gear Motor ASM
2	125-1653	4	Hose ASM	11	340-17	10	Fitting-HYD, 90 DEG
3	125-1656	1	Hose ASM	11:1	237-65	1	O-Ring
4	98-7402	1	Hose ASM	11:2	237-80	1	O-Ring
5	125-1655	1	Hose ASM	12	340-2	5	Fitting-HYD, Straight
6	119-1433	1	Hose ASM	12:1	237-22	1	O-Ring
7	119-3923	1	Hose ASM	12:2	237-42	1	O-Ring
8	119-3924	2	Hose ASM	13	3334-945	5	Tie-Cable
9	119-3925	2	Hose ASM				



## Gear Motor Assembly No. 115-8250

Ref.	Part Number	Qty.	Description
1	125-1682	1	Motor Seal Kit
1:1		2	Seal-Anti Extrusion ●
1:2		2	Seal-Shaft ●
1:3		1	Seal-Quad ●
1:4		2	Seal ●
2	117-5107	2	Valve-Check

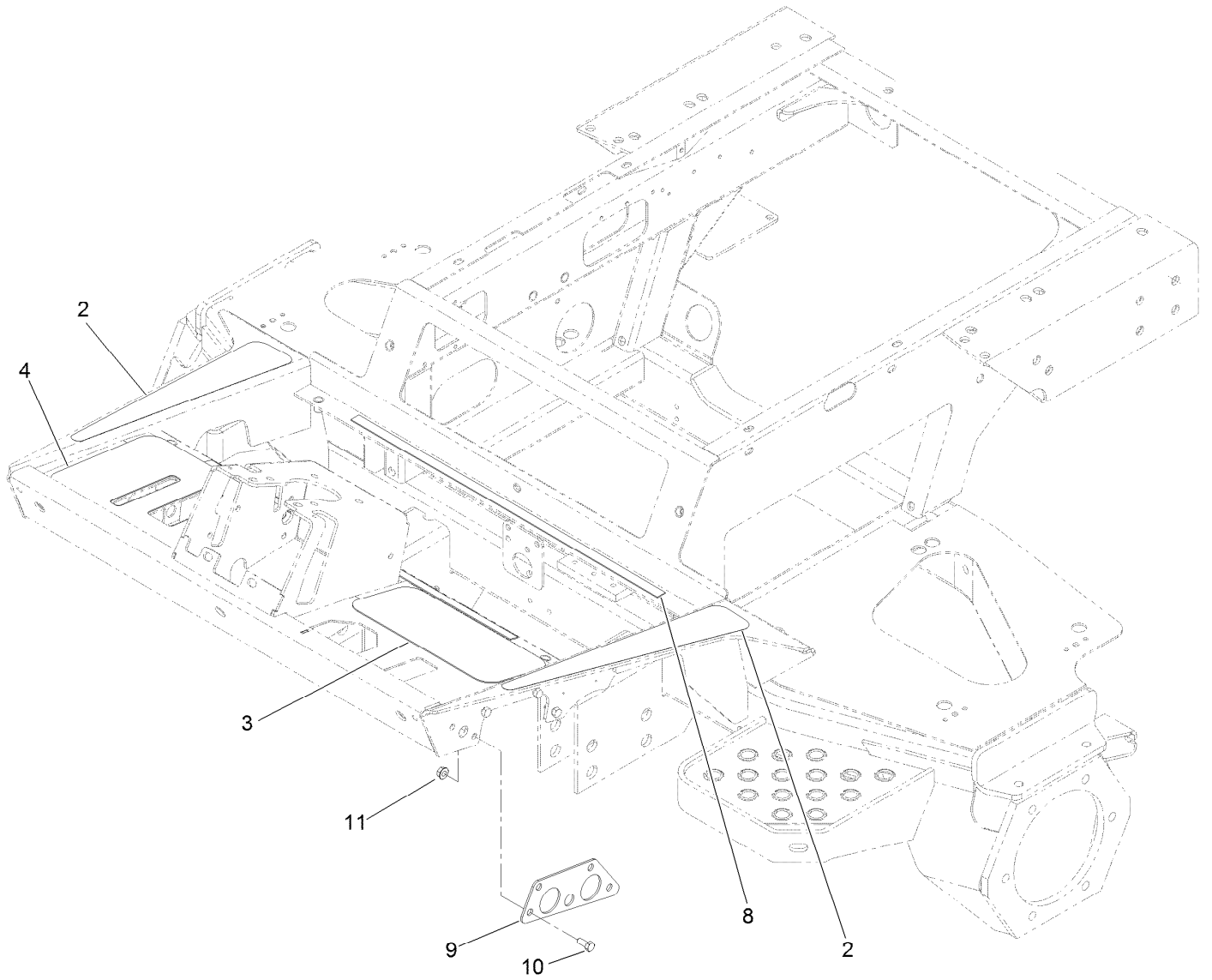
● Not serviced separately



## Frame and Roll-Over Protection Assembly

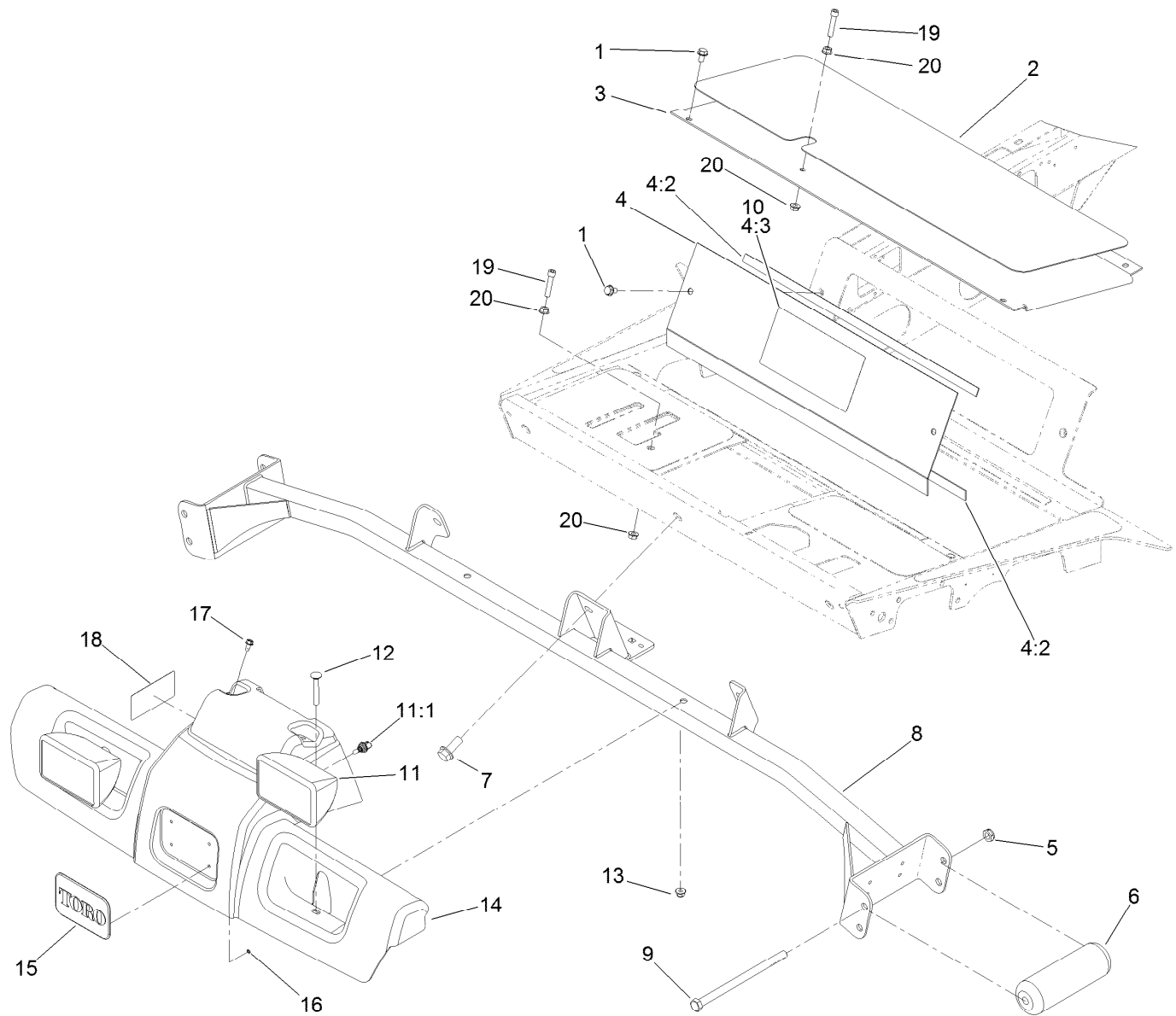
<i>Ref.</i>	<i>Part Number</i>	<i>Qty.</i>	<i>Description</i>
1	108-4018	1	ROPS ASM
1:3	98-4387	1	Decal-Protection, Ear
2	3234-38	12	Screw-HHF
3	115-4394-03	1	Frame-Rear
4	104-5584-03	2	Plate-Reinforcement, ROPS
5	32128-49	4	Nut-HHF
6	325-20	4	Screw-HH
7	105-9194	4	Plug
8	119-3872	1	Front Frame ASM
9	72-3560	2	Decal
10	106-6754	1	Decal-Danger
11	104-5516-01	1	Support-Tube
12	3230-23	2	Screw-CARR
13	32128-20	2	Nut-HF





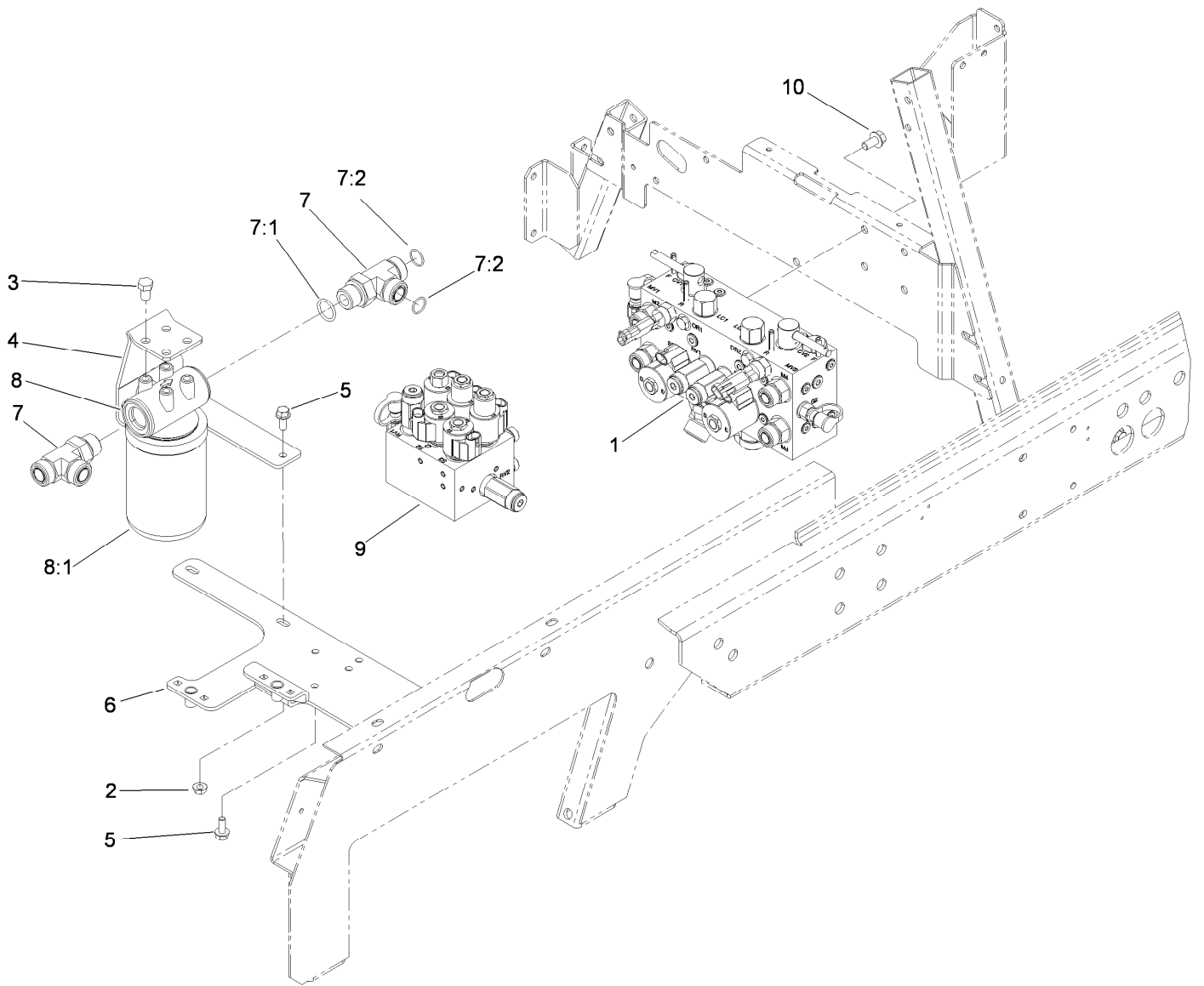
## Front Frame Assembly No. 119-3872

<i>Ref.</i>	<i>Part Number</i>	<i>Qty.</i>	<i>Description</i>
2	93-7592	2	Tread-Rest, Foot
3	75-0620	1	Tread-Foot, LH
4	119-1497	1	Tread-Foot, RH
8	105-9860	2	Seal-Foam
9	106-7794-01	2	Plate-Mount, HYD Fitting
10	322-3	8	Screw-HH
11	32128-20	8	Nut-HF



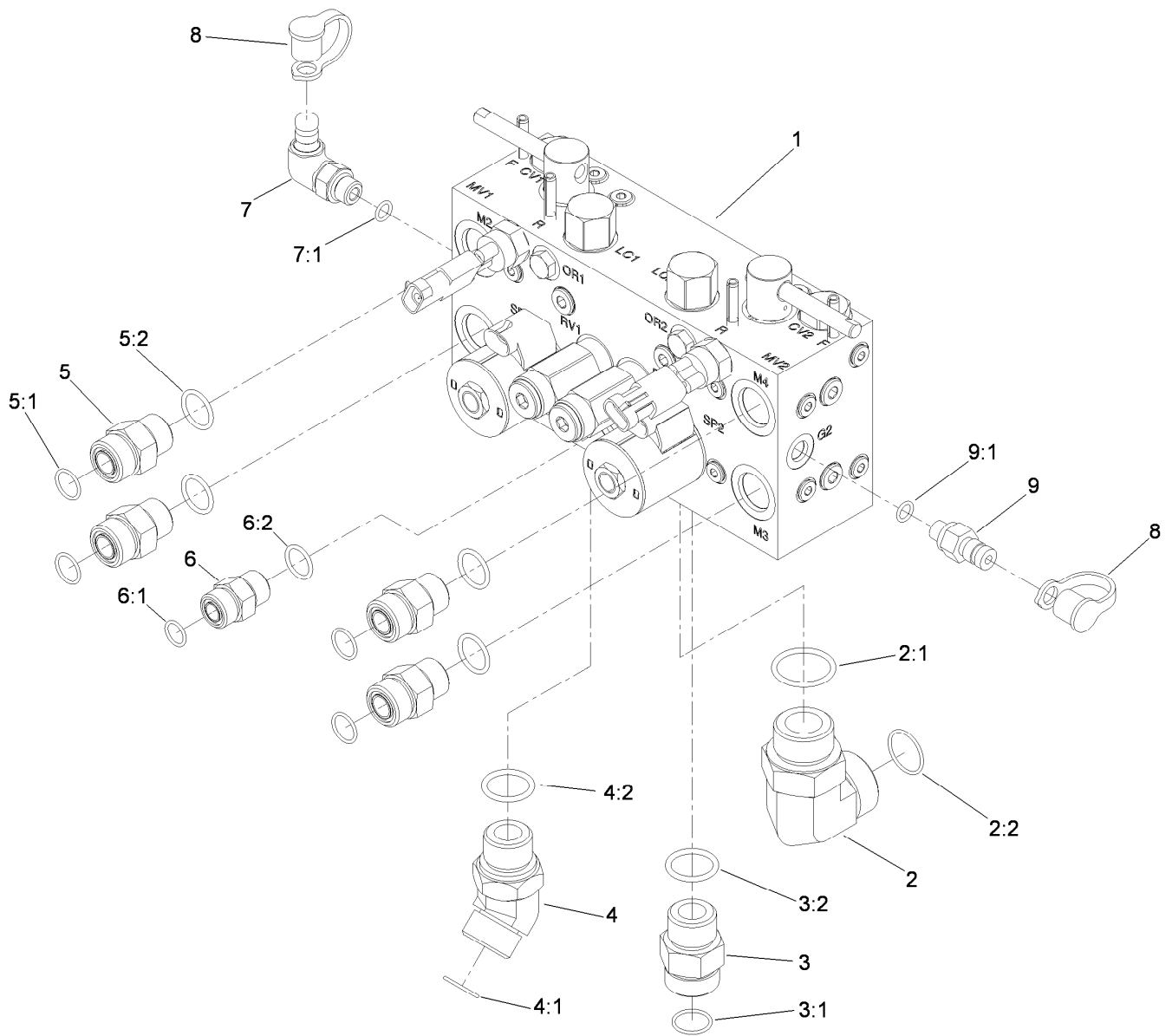
## Front Shroud and Work Light Assembly

Ref.	Part Number	Qty.	Description	Ref.	Part Number	Qty.	Description
1	3234-7	7	Screw-HHF	11	94-9024	2	Lamp ASM
2	75-0630	1	Tread-Foot, Center	11:1	95-0909	1	Lamp-12 Volt
3	75-1410-01	1	Plate-Access, Floor	12	3230-7	2	Bolt-CARR
4	120-1687	1	Plate-Access ASM	13	104-8300	2	Nut-Flange, NI
4:2	105-9860	2	Seal-Foam	14	115-9137	1	Shroud-Platform
4:3	120-1683	1	Decal-Danger	15	93-6028	1	Plate-Logo
5	3296-45	2	Nut-Lock, NI	16	3254-9	4	Washer-Lock, Internal
6	31-0750	2	Roller-Front	17	32104-17	2	Screw-HWH
7	3234-38	3	Screw-HHF	18	120-1670	1	Decal-Mow Speed
8	125-1663-01	1	Support-Roller	19	3274-18	2	Screw-HSH
9	325-42	2	Screw-HH	20	32128-20	4	Nut-HF
10	120-1686	1	Decal-Danger, Ce				



## Mow and Lift Manifold Assembly

Ref.	Part Number	Qty.	Description
1	119-1461	1	Mow Manifold ASM
2	32128-20	2	Nut-HF
3	33115-016	4	Screw-HH
4	104-5492-03	1	Bracket-Mount, Filter
5	3234-5	8	Screw-HHF
6	117-2362	1	Bracket-Mount, Valve
7	340-148	2	Fitting-Tee
7:1	237-81	1	O-Ring
7:2	237-58	2	O-Ring
8	93-2242	1	Filter-Oil
8:1	75-1310	1	Filter-HYD
9	119-1463	1	Lift Manifold ASM
10	110-1718	4	Screw-HHF

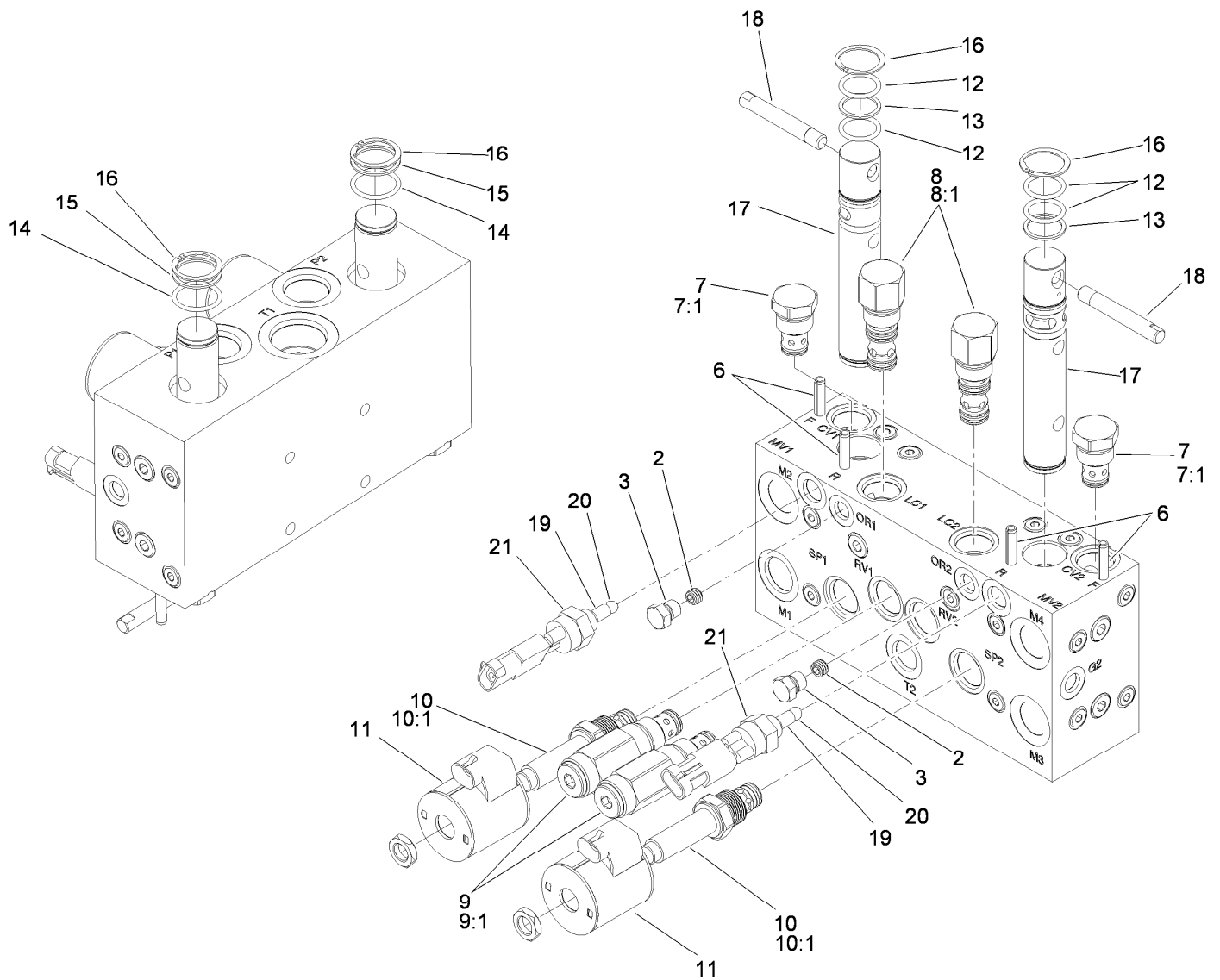


## Mow Manifold Assembly No. 119-1461

Ref.	Part Number	Qty.	Description
1		1	Manifold-Mow 5-Plex ●
2	340-129	1	Fitting-HYD, 90
2:1	237-146	1	O-Ring
2:2	340-65	1	O-Ring
3	340-9	1	Fitting-HYD, Straight
3:1	237-58	1	O-Ring
3:2	237-81	1	O-Ring
4	100-5530	1	Fitting-HYD, 45 DEG
4:1	237-58	1	O-Ring
4:2	237-81	1	O-Ring
5	340-7	4	Adapter

Ref.	Part Number	Qty.	Description
5:1	237-65	1	O-Ring
5:2	237-80	1	O-Ring
6	340-4	1	Fitting-HYD, Straight
6:1	237-30	1	O-Ring
6:2	237-79	1	O-Ring
7	115-9147	1	Fitting-Elbow, 90 DEG
7:1	237-78	1	O-Ring
8	354-79	2	Cap-Dust
9	354-77	1	Fitting-Quick
9:1	237-78	1	O-Ring

● Not serviced separately

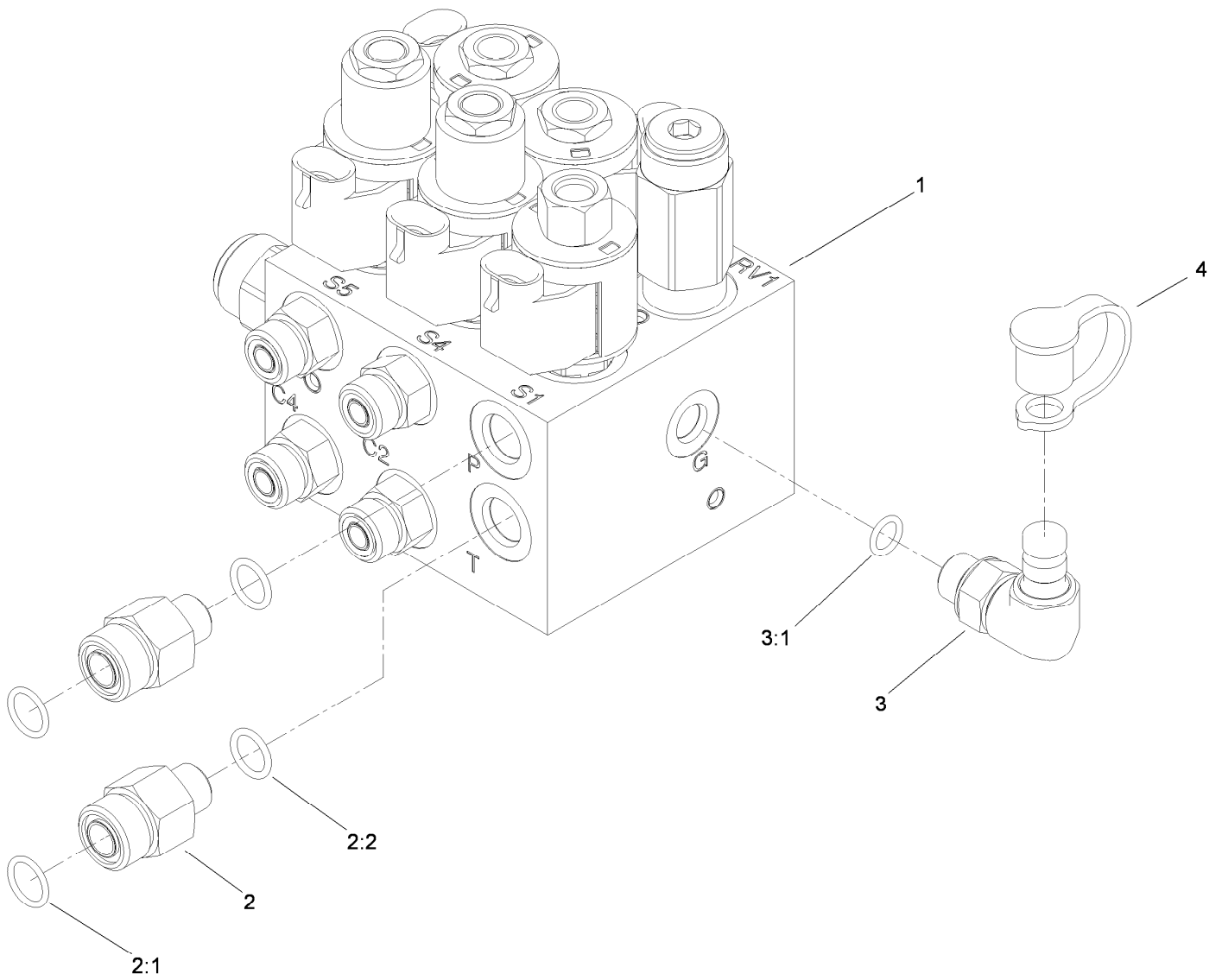


## Manifold Mow Block Assembly

Ref.	Part Number	Qty.	Description	Ref.	Part Number	Qty.	Description
2	110-8883	2	Plug-Orifice (0.040)	11	110-6344	2	Coil-12V, Dc
3		2	Plug ■	12	120-1657	4	O-Ring
6	112-6531	4	Pin-Spring	13	120-1656	2	Ring-Backup
7	110-8881	2	Valve-Check	14	125-1652	2	O-Ring
7:1	105-9159	1	Seal Kit ●	15	120-1654	2	Ring-Backup
8	120-1693	2	Compensator-Pressure	16	120-1653	4	Ring-Retaining, External
8:1	119-2159	1	Seal Kit	17	120-1652	2	Spool-Backlap
9	120-1659	2	Valve-Relief, 3000 Psi	18	120-1651	2	Handle-Spool
9:1	105-9159	1	Seal Kit ●	19	120-1650	2	Pin
10	120-1694	2	Valve-Proportional, Nc	20	117-4605	2	Ball-Ss
10:1	105-9159	1	Seal Kit	21	72-4320	2	Switch-Ball

● Not illustrated

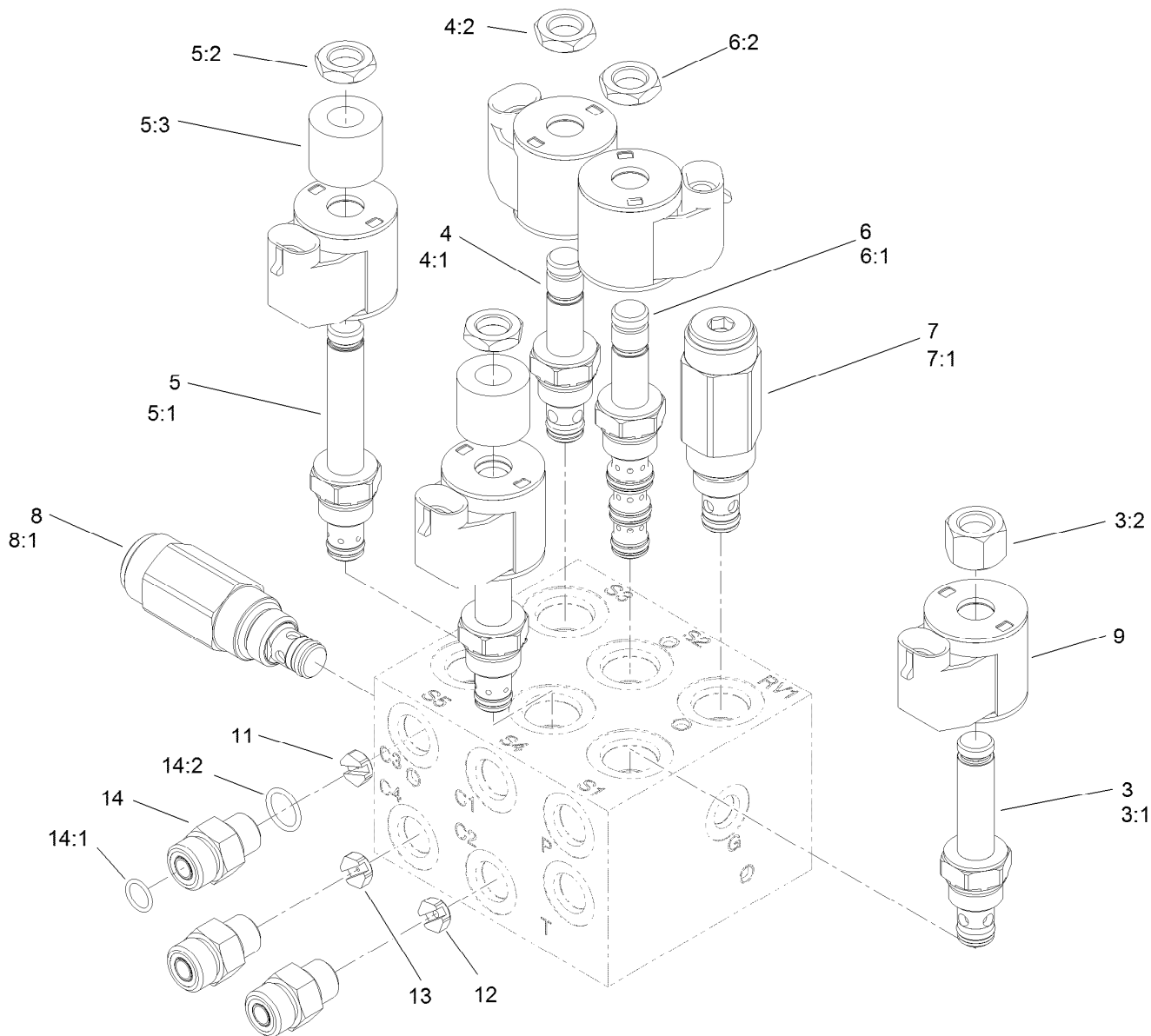
■ Not serviced separately



## Lift Manifold Assembly No. 119-1463

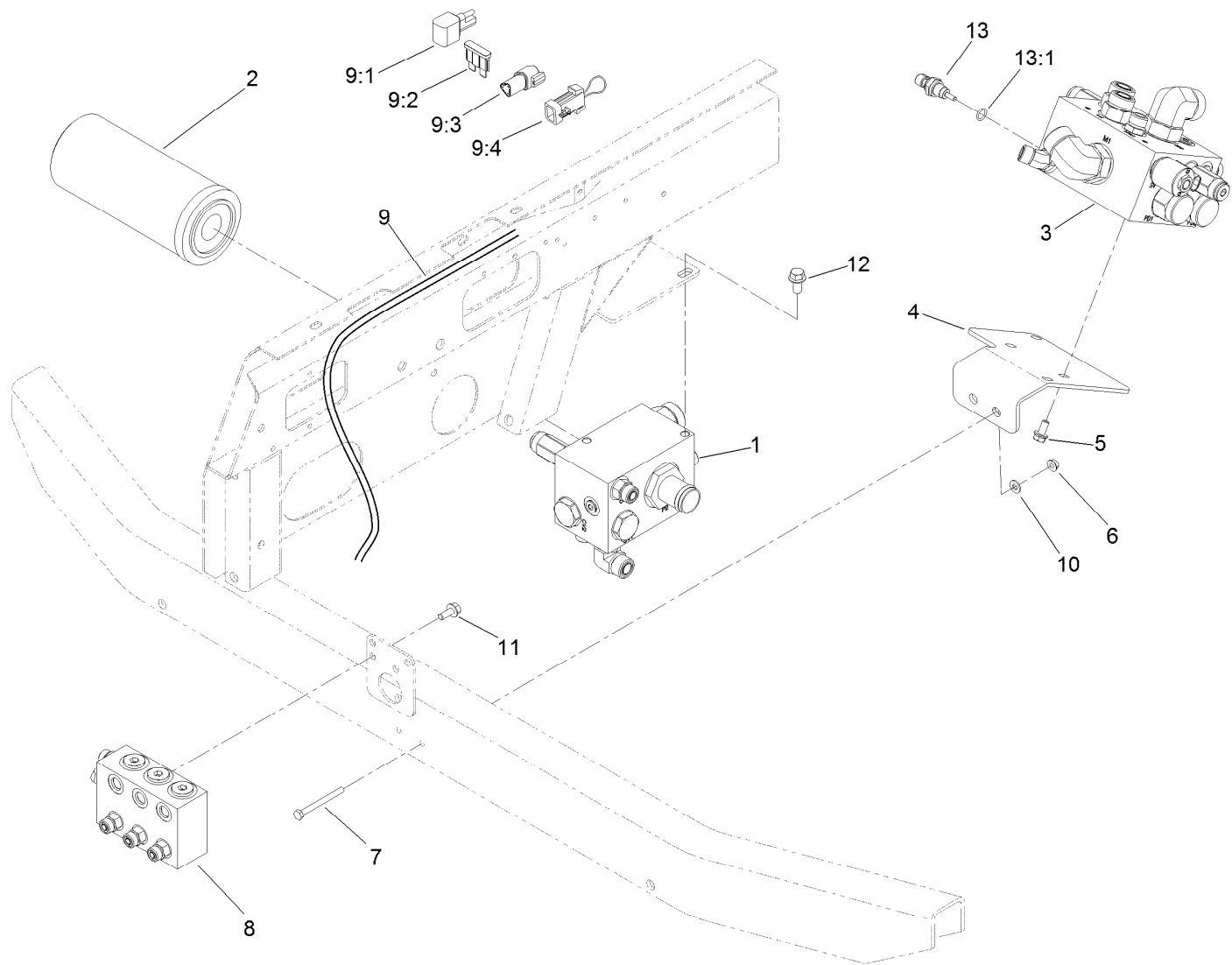
Ref.	Part Number	Qty.	Description
1		1	Manifold-Lift 5-Plex ●
2	340-5	2	Fitting-Straight
2:1	237-42	1	O-Ring
2:2	237-30	1	O-Ring
3	115-9147	1	Fitting-Elbow, 90 DEG
3:1	237-78	1	O-Ring
4	354-79	1	Cap-Dust

● Not serviced separately



## 5 Plex Lift Manifold Assembly

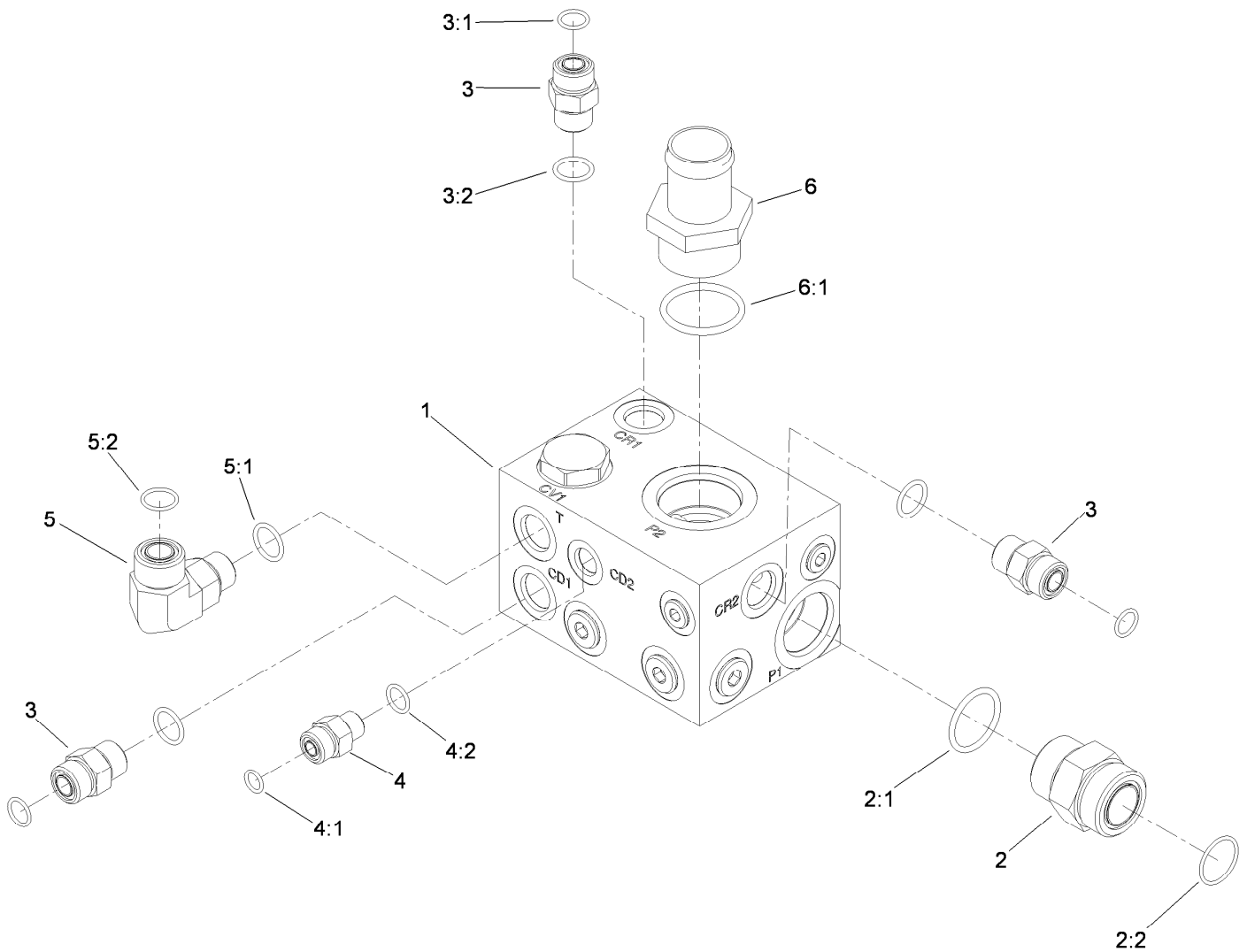
<i>Ref.</i>	<i>Part Number</i>	<i>Qty.</i>	<i>Description</i>	<i>Ref.</i>	<i>Part Number</i>	<i>Qty.</i>	<i>Description</i>
3	107-7517	1	Valve-Solenoid	6:2	110-2634	1	Nut-Coil
3:1	105-9156	1	Seal Kit	7	120-1664	1	Valve-Relief, 1700 Psi
3:2	107-7812	1	Nut-Solenoid	7:1	105-9156	1	Seal Kit
4	112-9206	1	Solenoid Valve ASM	8	120-1663	1	Valve-Relief, 500 Psi
4:1	105-9156	1	Seal Kit	8:1	105-9156	1	Seal Kit
4:2	110-2634	1	Nut-Coil	9	110-0497	5	Coil-Solenoid
5	110-8898	2	Valve-Solenoid	11	120-1662	1	Orifice-Flow Control, .040
5:1	107-7527	1	Seal Kit	12	120-1661	1	Orifice-Flow Control, .109
5:2	110-2634	1	Nut-Coil	13	119-2010	1	Orifice-Flow Control (0.055)
5:3	110-8909	1	Spacer-Coil	14	340-2	3	Fitting-HYD, Straight
6	120-1665	1	Valve-Solenoid	14:1	237-22	1	O-Ring
6:1	112-6520	1	Seal Kit	14:2	237-42	1	O-Ring



## 4WD and Filter Assembly

<i>Ref.</i>	<i>Part Number</i>	<i>Qty.</i>	<i>Description</i>	<i>Ref.</i>	<i>Part Number</i>	<i>Qty.</i>	<i>Description</i>
1	119-3893	1	Filter Manifold ASM	9:1	100-4918	1	Diode-Over Molded
2	94-2621	1	Element-Filter	9:2	99-6124	1	Fuse-Blade, 40 Amp
3	119-3940	1	4 Wheel Drive Manifold ASM	9:3	32180-043	1	Resistor-120 Ohm
4	104-5467-03	1	Bracket-Mount, Valve	9:4	85-4650	1	Connector
5	3234-14	3	Screw-HHF	10	3256-22	2	Washer-Flat
6	32128-33	2	Nut-HF	11	3234-5	2	Screw-HHF
7	321-14	2	Screw-HH	12	110-1718	2	Screw-HHF
8	119-3877	1	Junction Manifold ASM	13	110-8829	1	Sender-Temperature
9	119-1300	1	Harness-Wire, Main	13:1	237-42	1	O-Ring

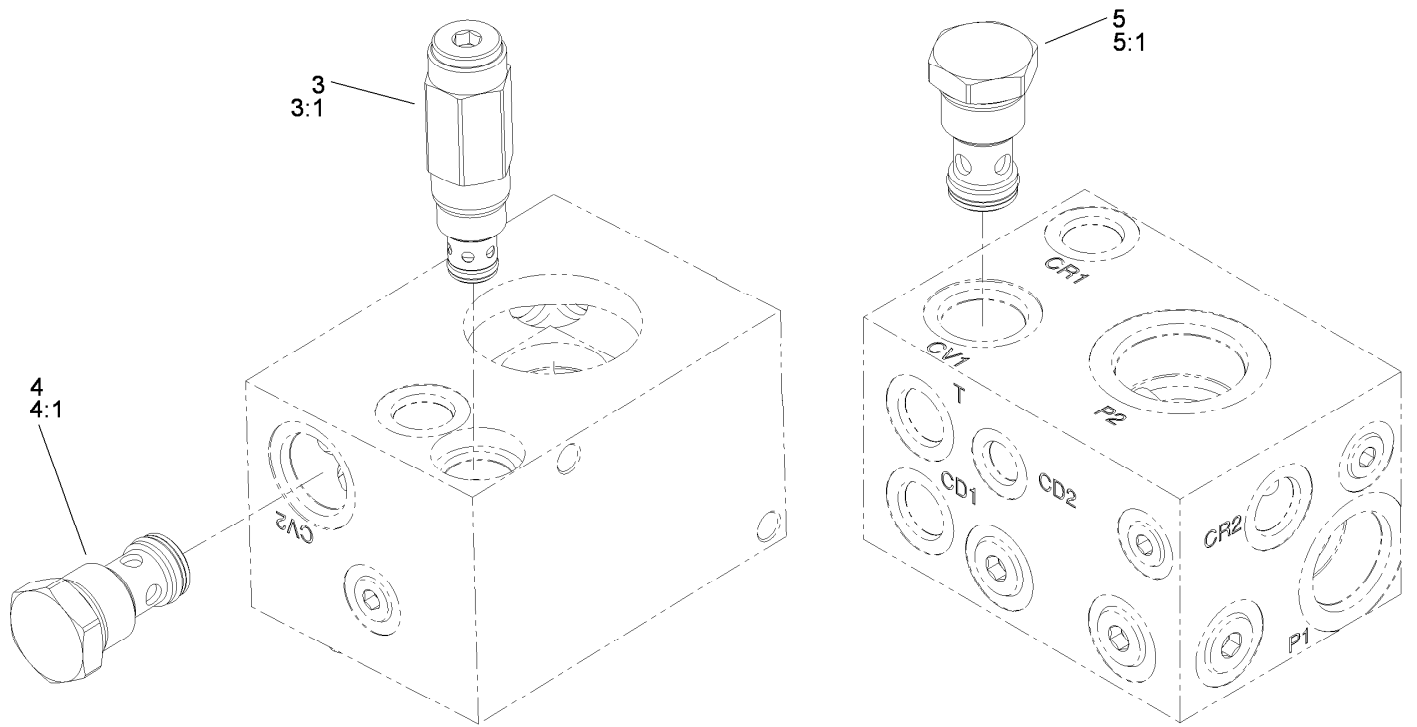




## Filter Manifold Assembly No. 119-3893

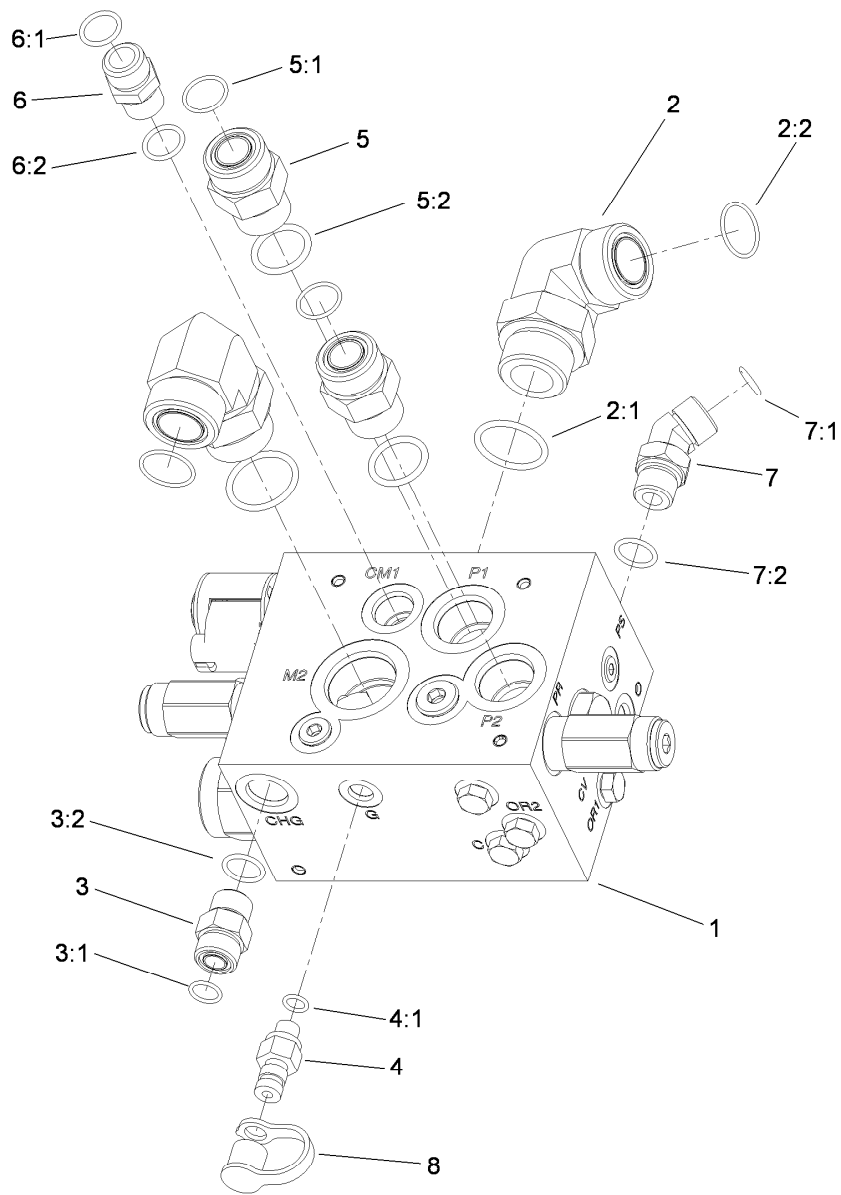
Ref.	Part Number	Qty.	Description
1		1	Manifold-Filter ●
2	104-3797	1	Fitting-HYD, Straight
2:1	237-146	1	O-Ring
2:2	340-65	1	O-Ring
3	340-4	3	Fitting-HYD, Straight
3:1	237-30	1	O-Ring
3:2	237-79	1	O-Ring
4	340-2	1	Fitting-HYD, Straight
4:1	237-22	1	O-Ring
4:2	237-42	1	O-Ring
5	340-153	1	Fitting-Elbow, 90 DEG
5:1	237-79	1	O-Ring
5:2	237-151	1	O-Ring
6	104-5480	1	Fitting-Hose, Straight
6:1	237-123	1	O-Ring

● Not serviced separately



## Filter Manifold Block Assembly

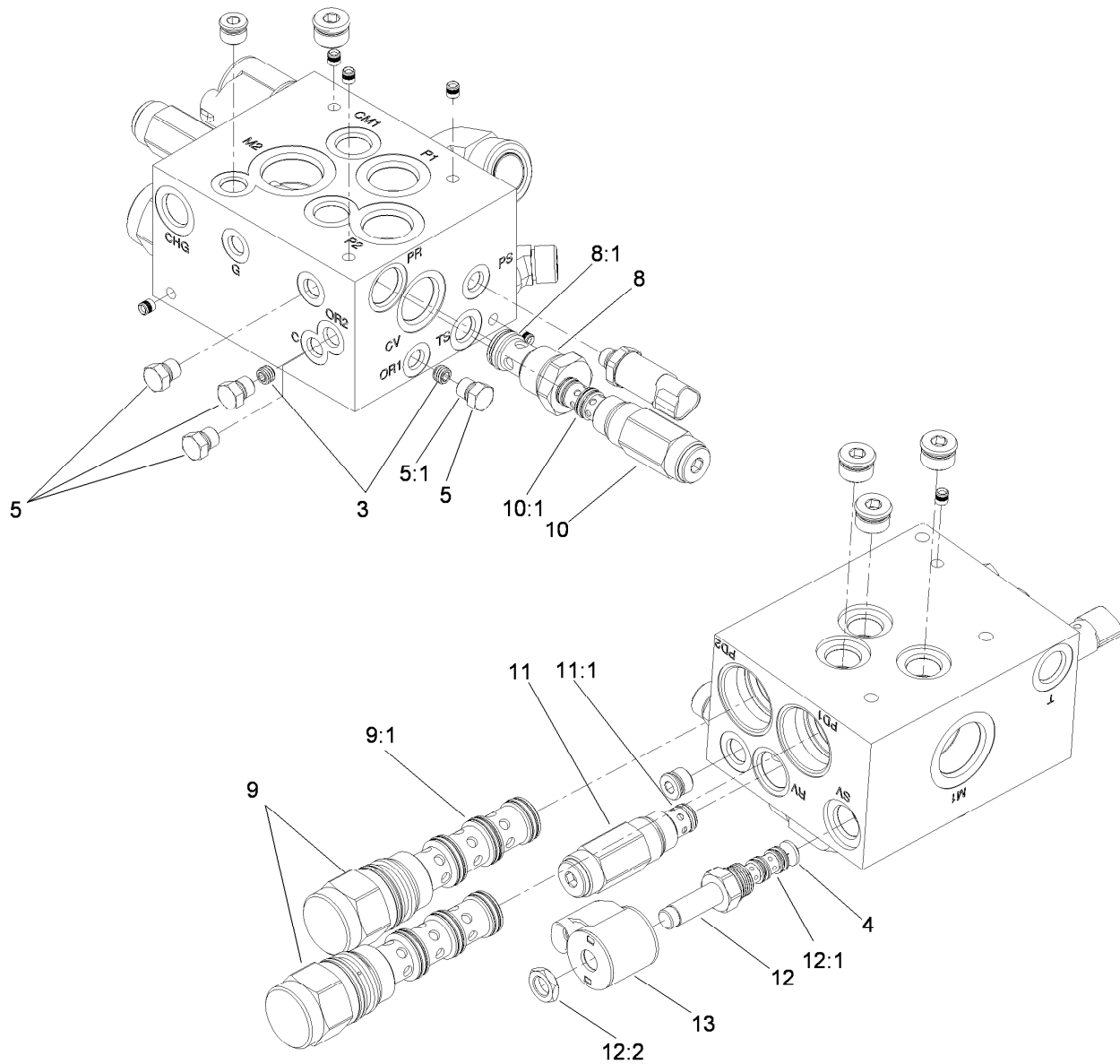
<i>Ref.</i>	<i>Part Number</i>	<i>Qty.</i>	<i>Description</i>
3	115-4140	1	Valve-Check
3:1	105-9159	1	Seal Kit
4	110-0467	1	Valve-Check, 40 Psi
4:1	110-0470	1	Seal Kit
5	110-0468	1	Valve-Check, 5 Psi
5:1	110-0470	1	Seal Kit



## 4 Wheel Drive Manifold Block Assembly No. 119-3940

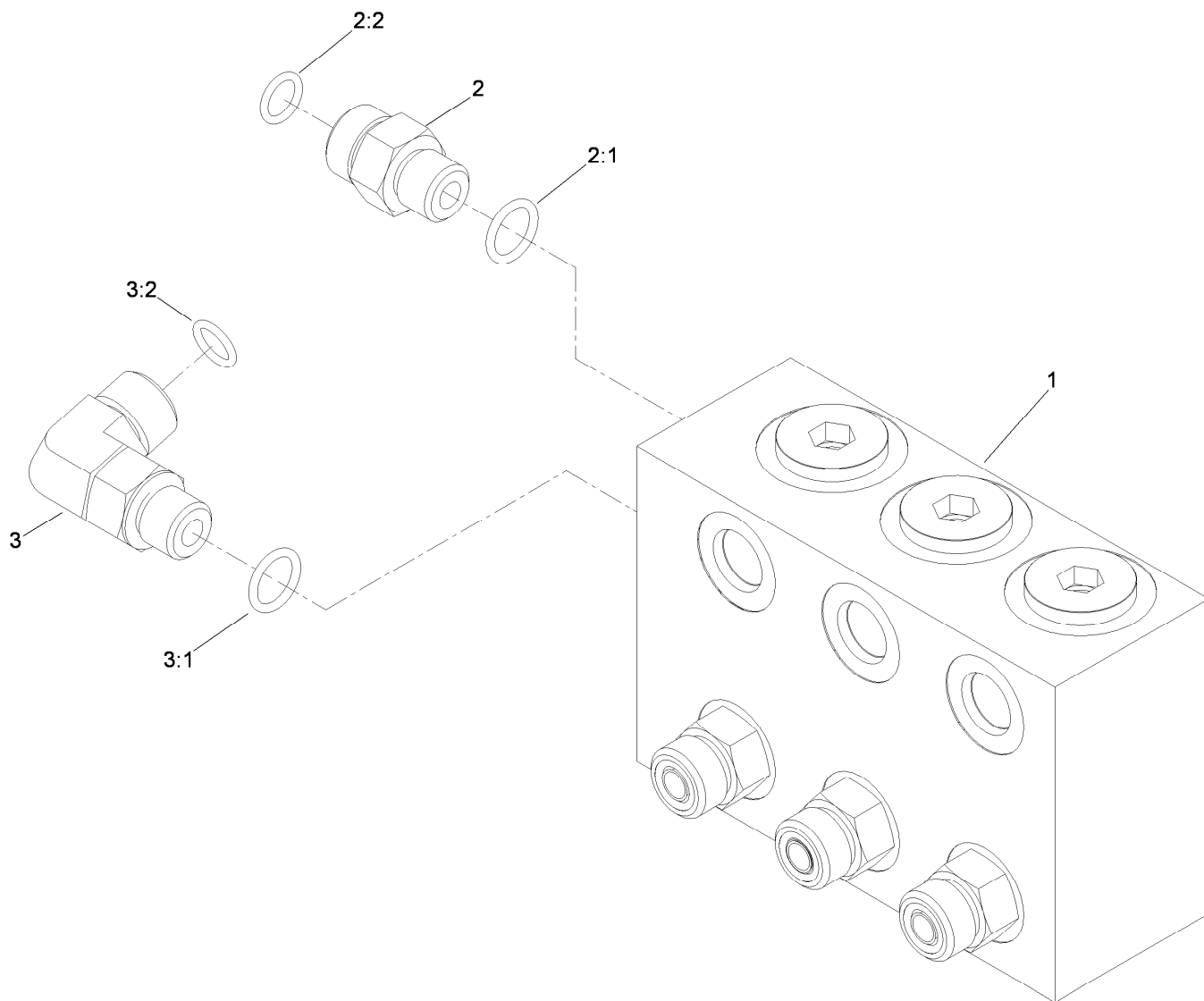
Ref.	Part Number	Qty.	Description	Ref.	Part Number	Qty.	Description
1		1	Manifold-4 Wheel Drive ●	5:1	237-58	1	O-Ring
2	340-129	2	Fitting-HYD, 90	5:2	237-81	1	O-Ring
2:1	237-146	1	O-Ring	6	100-4890	1	Fitting-Check
2:2	340-65	1	O-Ring	6:1	237-79	1	O-Ring
3	340-4	1	Fitting-HYD, Straight	6:2	237-30	1	O-Ring
3:1	237-30	1	O-Ring	7	340-101	1	Fitting-HYD, 45 DEG
3:2	237-79	1	O-Ring	7:1	237-30	1	O-Ring
4	354-77	1	Fitting-Quick	7:2	237-79	1	O-Ring
4:1	237-78	1	O-Ring	8	354-79	1	Cap-Dust
5	340-9	2	Fitting-HYD, Straight				

● Not serviced separately



## 4-Wheel Drive Manifold Assembly

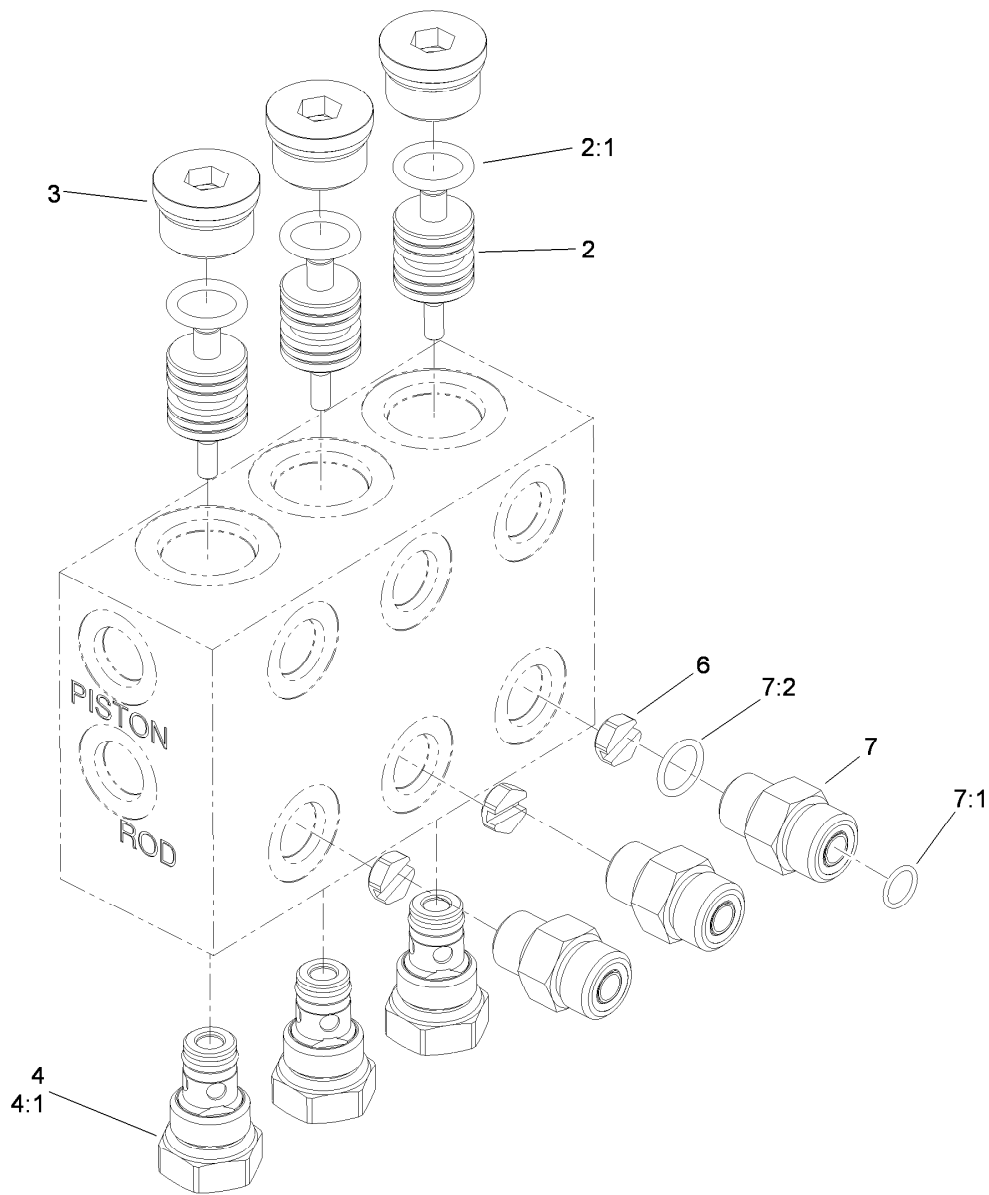
<i>Ref.</i>	<i>Part Number</i>	<i>Qty.</i>	<i>Description</i>	<i>Ref.</i>	<i>Part Number</i>	<i>Qty.</i>	<i>Description</i>
3	110-0495	2	Orifice (.050)	10	110-0496	1	Valve-Reducing, Pressure
4	110-0498	1	Orifice (.030)	10:1	105-9154	1	Seal Kit
5	117-0115	4	Plug-HYD	11	112-9205	1	Valve-Relief
5:1	237-78	1	O-Ring	11:1	105-9159	1	Seal Kit
8	110-0468	1	Valve-Check, 5 Psi	12	110-0494	1	Valve-Solenoid
8:1	110-0470	1	Seal Kit	12:1	110-8773	1	Seal Kit
9	110-0491	2	Valve-Directional	12:2	110-2634	1	Nut-Coil
9:1	106-6775	1	Seal Kit	13	110-0497	1	Coil-Solenoid



## Junction Manifold Assembly No. 119-3877

<i>Ref.</i>	<i>Part Number</i>	<i>Qty.</i>	<i>Description</i>
1		1	Manifold-Junction ●
2	340-2	1	Fitting-HYD, Straight
2:1	237-22	1	O-Ring
2:2	237-42	1	O-Ring
3	340-77	1	Fitting-HYD, 90 DEG
3:1	237-22	1	O-Ring
3:2	237-42	1	O-Ring

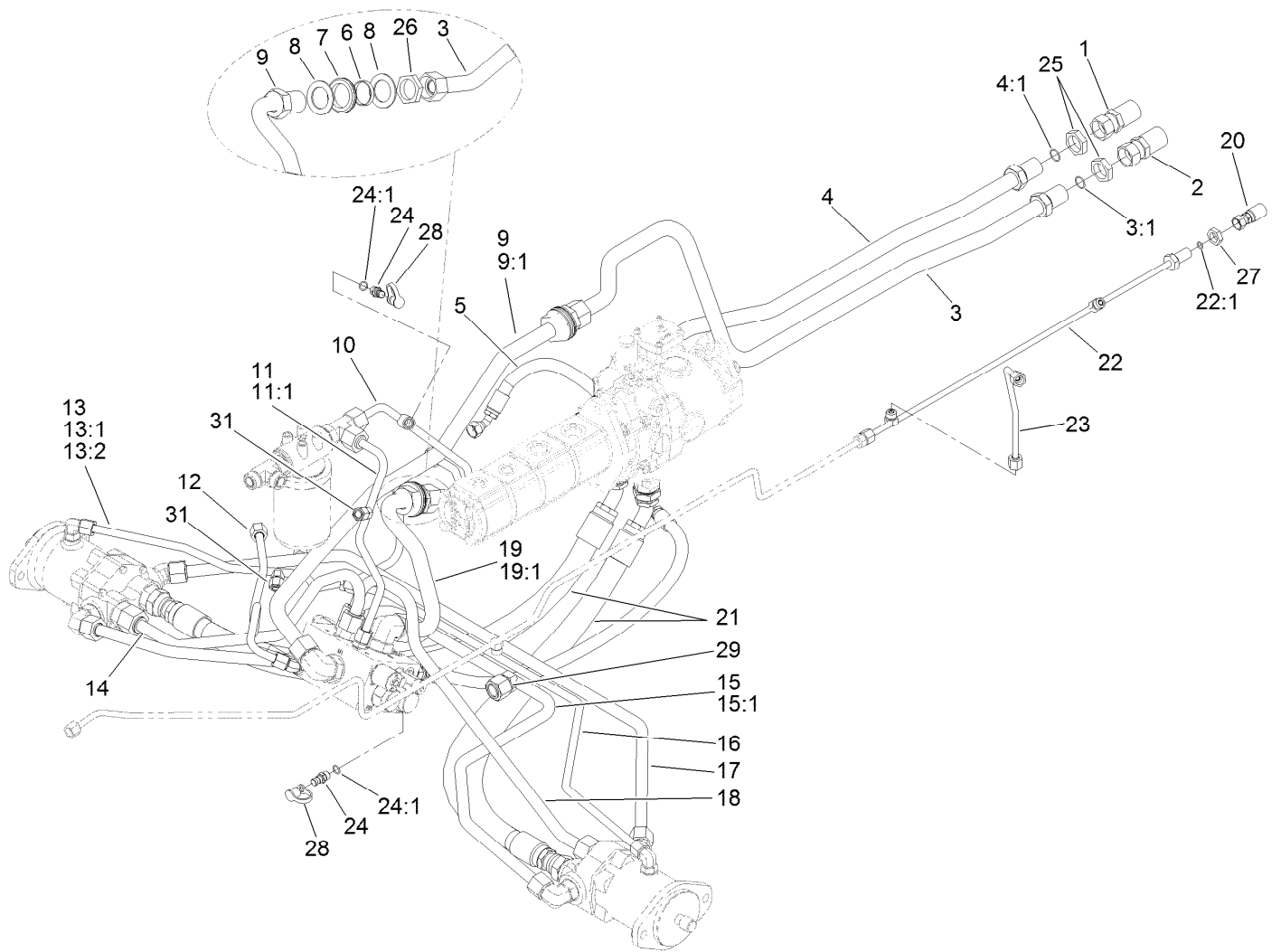
● Not serviced separately



## Junction Manifold Assembly

Ref.	Part Number	Qty.	Description
2	110-8901	3	Piston-Pilot
2:1	110-8900	1	O-Ring
3		3	Plug ●
4	110-9006	3	Valve-Check
4:1	105-9156	1	Seal Kit
6	119-2009	3	Orifice-Flow Control (0.030)
7	340-2	3	Fitting-HYD, Straight
7:1	237-22	1	O-Ring
7:2	237-42	1	O-Ring

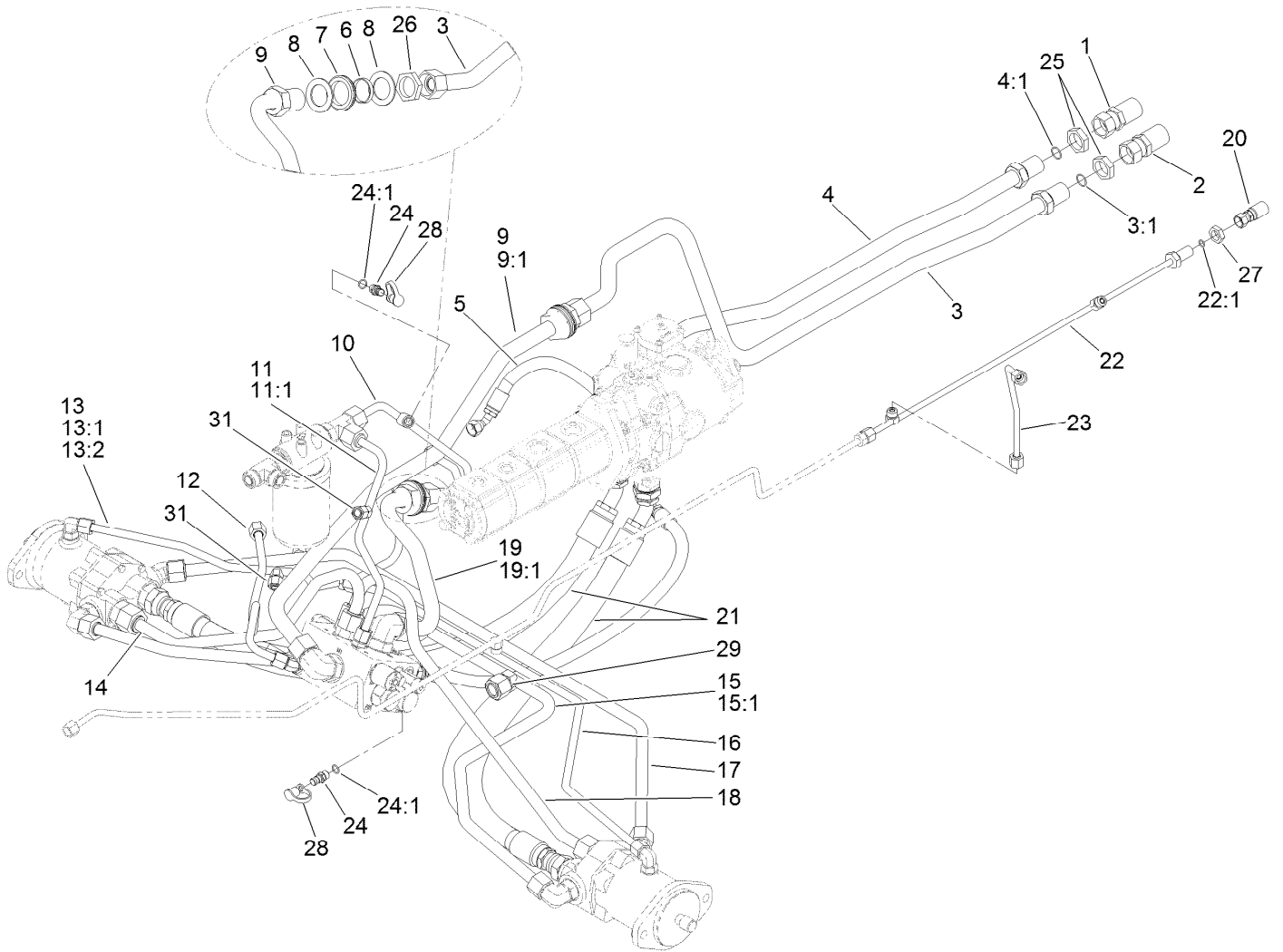
● Not serviced separately



## Traction Hydraulic Line Assembly

Ref.	Part Number	Qty.	Description	Ref.	Part Number	Qty.	Description
1	92-7536	1	Hose-HYD	13:2	237-30	1	O-Ring ●
2	105-9818	1	Hose-HYD	14	119-3890	1	Tube-HYD
3	114-8118	1	Tube-HYD	15	119-3886	1	Tube-HYD
3:1	237-58	1	O-Ring	15:1	237-58	1	O-Ring ●
4	119-3895	1	Tube-HYD	16	119-3888	1	Tube-HYD
4:1	237-58	1	O-Ring	17	119-3889	1	Tube-HYD
5	108-8440	1	Hose ASM	18	119-3887	1	Tube-HYD
6	69-8950	2	Spacer	19	114-8147	1	Tube-HYD
7	240-2	2	Grommet-Rubber	19:1	340-65	1	O-Ring ●
8	69-8920	4	Washer	20	92-7534	1	Hose-HYD
9	114-8149	1	Tube-HYD	21	104-5464	2	Hose-HYD
9:1	340-65	1	O-Ring ●	22	114-4194	1	Tube-HYD
10	119-3901	1	Tube-HYD	22:1	237-22	3	O-Ring
11	114-8148	1	Tube-HYD	23	115-9124	1	Tube-HYD
11:1	237-22	1	O-Ring ●	24	59-7410	3	Fitting-Diagnostic
12	115-4351	1	Tube-HYD	24:1	237-42	1	O-Ring
13	119-3891	1	Tube-HYD	25	340-126	2	Nut-Bulkhead
13:1	237-22	1	O-Ring ●	26	340-128	2	Nut-Bulkhead

● Not illustrated

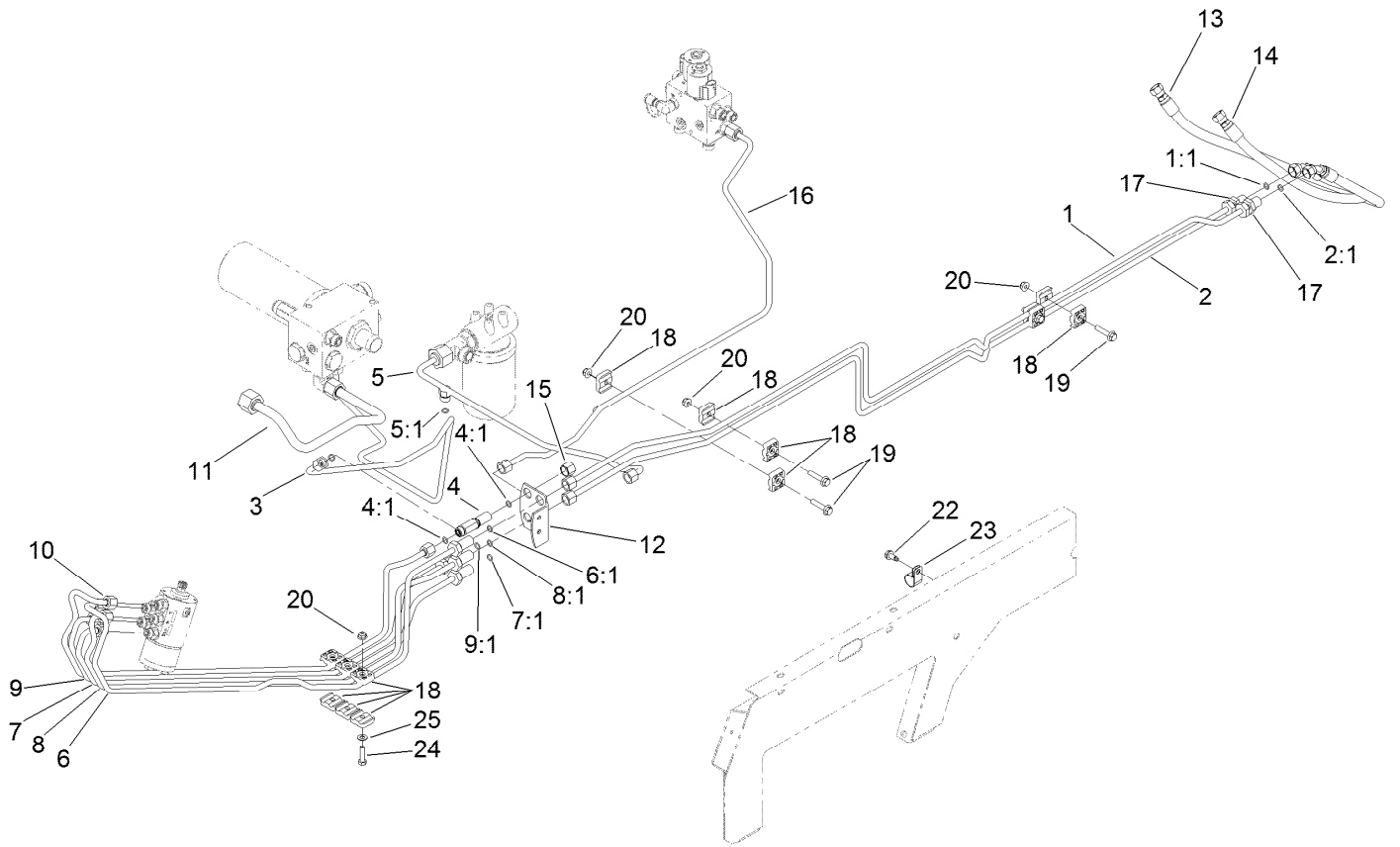


## Traction Hydraulic Line Assembly (continued)

<i>Ref.</i>	<i>Part Number</i>	<i>Qty.</i>	<i>Description</i>	<i>Ref.</i>	<i>Part Number</i>	<i>Qty.</i>	<i>Description</i>
27	340-70	1	Nut-Lock	29	95-0979	1	Cap-Ors
28	354-79	3	Cap-Dust	31	340-117	2	Cap

● Not illustrated

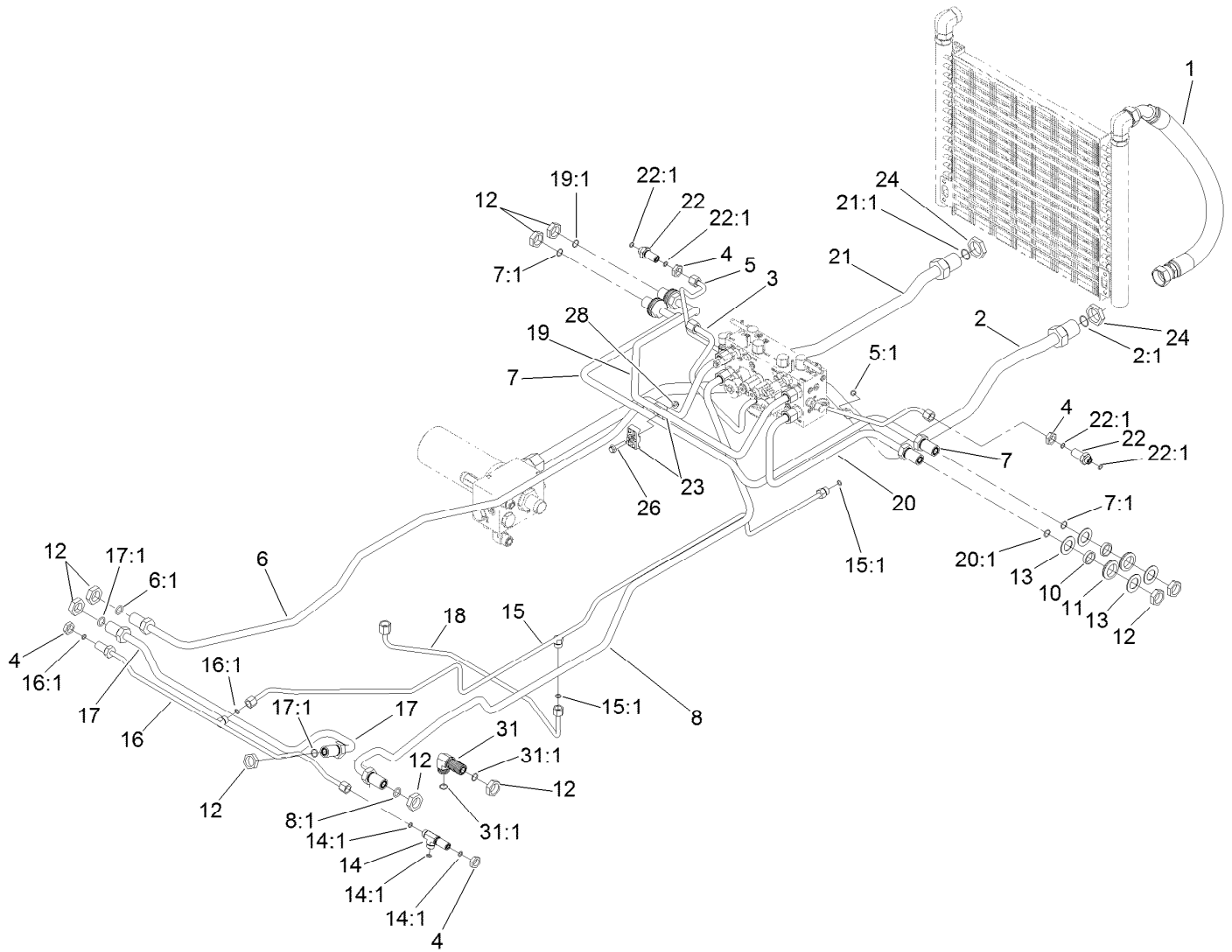




## Steering Hydraulic Line Assembly

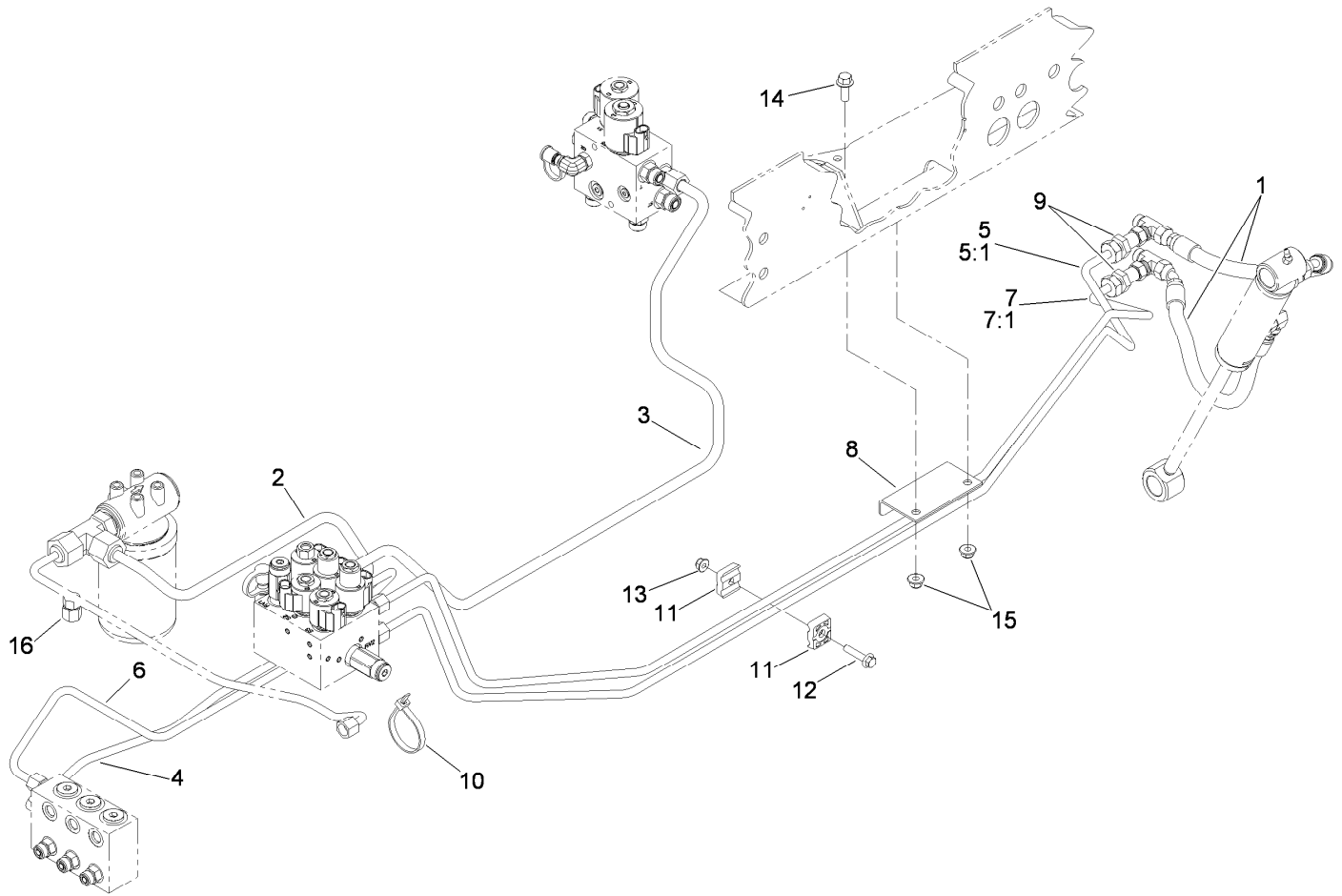
Ref.	Part Number	Qty.	Description
1	105-3871	1	Tube ASM
1:1	237-22	1	O-Ring
2	115-9128	1	Tube ASM
2:1	237-22	1	O-Ring
3	119-3900	1	Tube-HYD
4	340-68	1	Fitting-Tee, Bulkhead
4:1	237-22	3	O-Ring
5	115-4412	1	Tube ASM
5:1	237-22	1	O-Ring
6	115-4408	1	Tube ASM
6:1	237-22	1	O-Ring
7	115-4406	1	Tube ASM
7:1	237-22	1	O-Ring
8	115-4409	1	Tube ASM
8:1	237-22	1	O-Ring
9	115-4405	1	Tube ASM

Ref.	Part Number	Qty.	Description
9:1	237-22	1	O-Ring
10	115-4407	1	Tube-HYD
11	119-3898	1	Tube-HYD
12	92-7606-03	1	Bracket-Bulkhead
13	105-9817	1	Hose-HYD
14	92-7539	1	Hose-HYD
15	340-117	1	Cap
16	115-4422	1	Tube-HYD
17	340-70	7	Nut-Lock
18	56-7973	14	Clamp-Tube
19	3234-36	4	Screw-HHF
20	104-8300	4	Nut-Flange, NI
22	32104-32	3	Screw-HWH
23	2412-41	1	Clamp
24	322-6	3	Screw-HH
25	3256-23	3	Washer-Flat



## Hydraulic Line Assembly

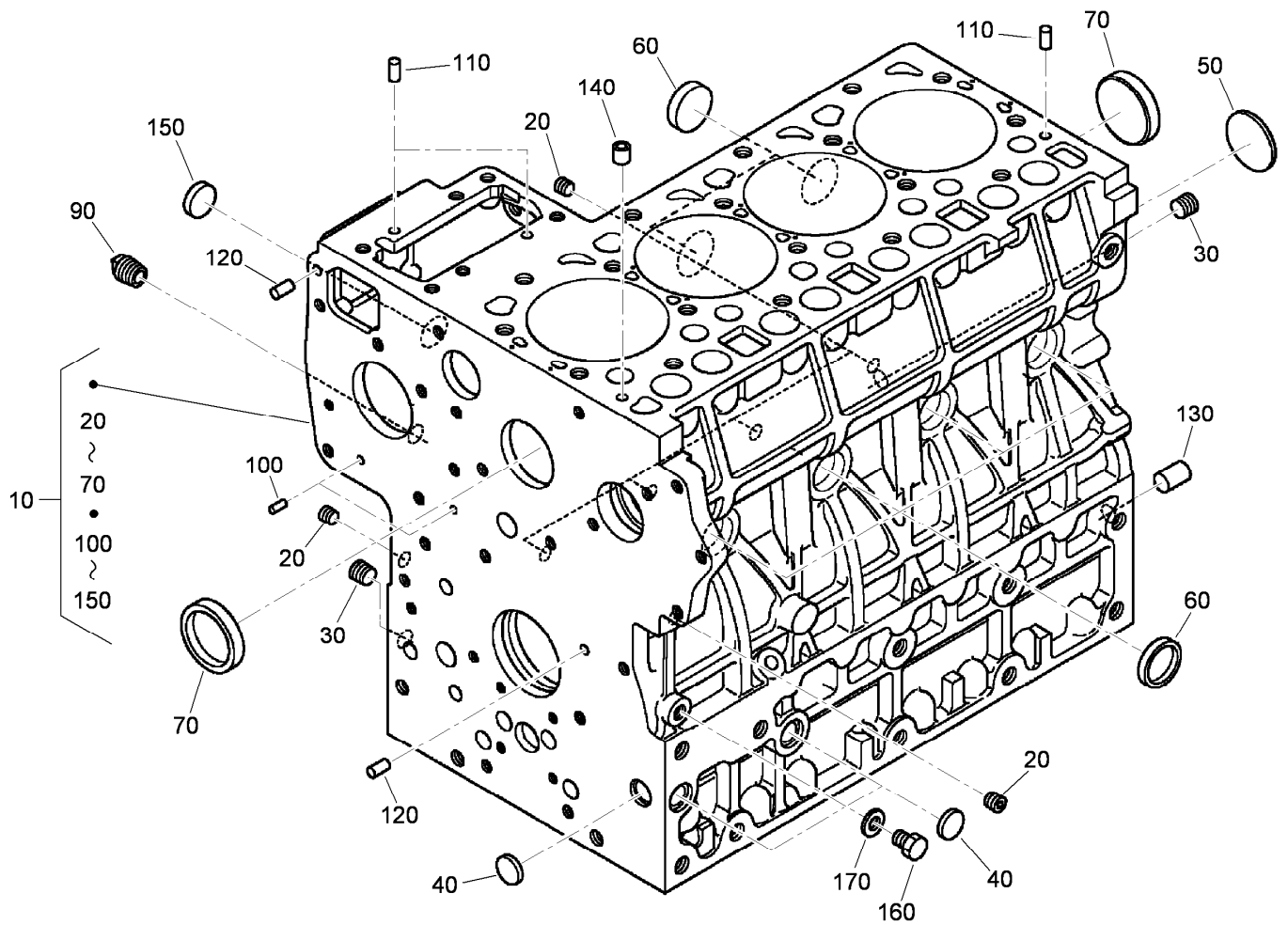
Ref.	Part Number	Qty.	Description	Ref.	Part Number	Qty.	Description
1	104-5483	2	Hose-HYD	15:1	237-22	2	O-Ring
2	115-4378	1	Tube-HYD	16	115-9139	1	Tube-HYD
2:1	340-65	1	O-Ring	16:1	237-22	2	O-Ring
3	119-1469	1	Tube-HYD	17	119-1466	1	Tube-HYD
4	340-70	4	Nut-Lock	17:1	237-65	2	O-Ring
5	115-9125	1	Tube-HYD	18	115-9127	1	Tube-HYD
5:1	237-22	1	O-Ring	19	119-1456	1	Tube-HYD
6	119-1454	1	Tube-HYD	19:1	237-65	1	O-Ring
6:1	237-65	1	O-Ring	20	119-1455	1	Tube-HYD
7	119-1465	1	Tube-HYD	20:1	237-65	1	O-Ring
7:1	237-65	2	O-Ring	21	119-3899	1	Tube-HYD
8	119-1453	1	Tube-HYD	21:1	340-65	1	O-Ring
8:1	237-65	1	O-Ring	22	340-71	2	Fitting-Straight, Bulkhead
10	125-1984	9	Spacer	22:1	237-22	2	O-Ring
11	240-3	9	Grommet-Rubber	23	56-7971	2	Clamp-Tube
12	340-74	9	Nut-Lock, Bulkhead	24	340-128	2	Nut-Bulkhead
13	69-9010	18	Washer	26	115-1794	1	Screw-HHF
14	340-68	1	Fitting-Tee, Bulkhead	28	104-8300	1	Nut-Flange, NI
14:1	237-22	3	O-Ring	31	340-72	1	Fitting-Bulkhead, 90 DEG
15	115-4433	1	Tube-HYD	31:1	237-65	2	O-Ring



## Hydraulic Line Assembly 2

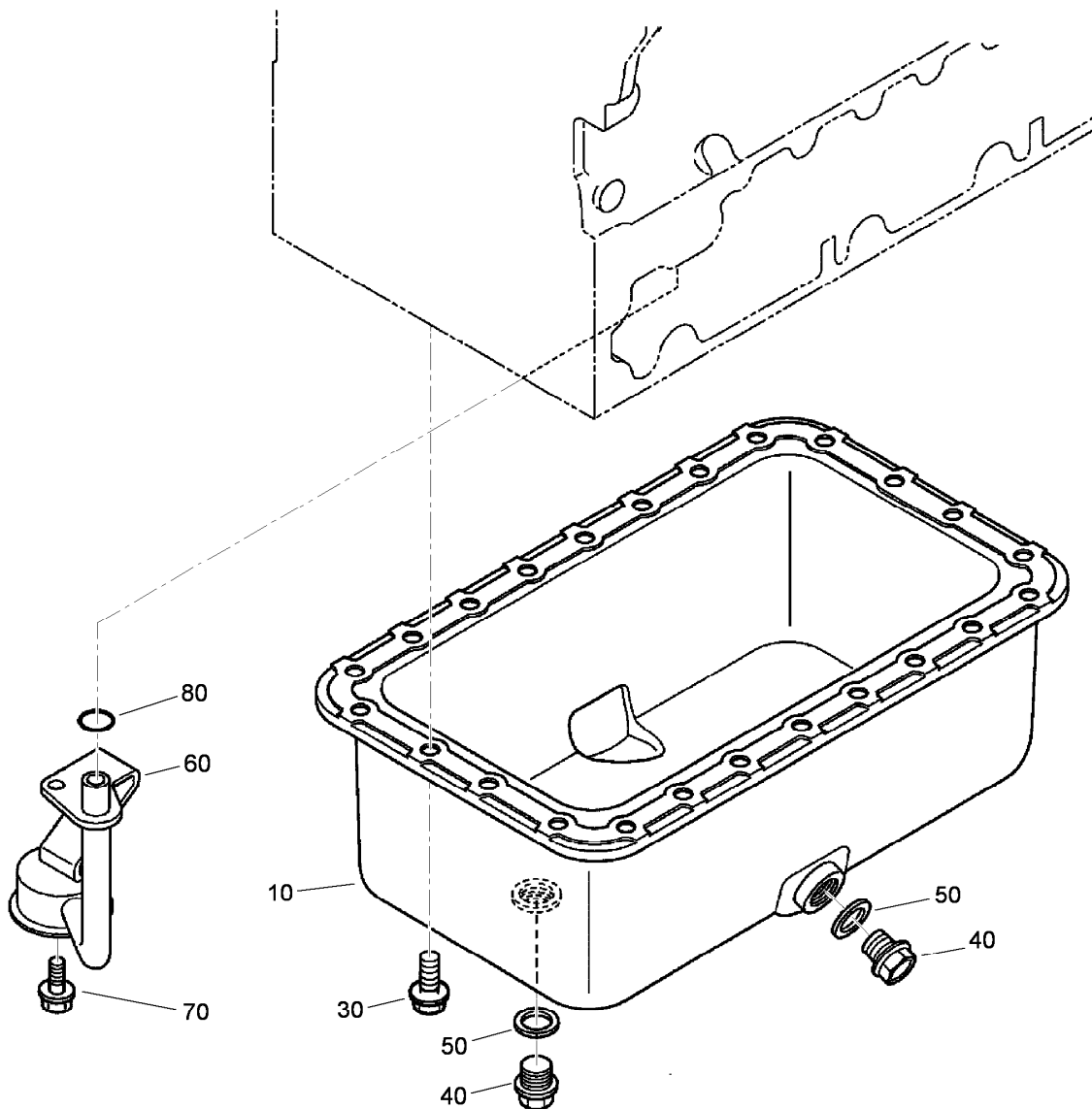
<i>Ref.</i>	<i>Part Number</i>	<i>Qty.</i>	<i>Description</i>	<i>Ref.</i>	<i>Part Number</i>	<i>Qty.</i>	<i>Description</i>
1	105-9238	4	Hose-HYD	8	105-3990-03	1	Bracket-Support, Tube
2	119-1468	1	Tube-HYD	9	340-70	2	Nut-Lock
3	119-1467	1	Tube-HYD	10	3334-945	1	Tie-Cable
4	119-1470	1	Tube-HYD	11	56-7973	4	Clamp-Tube
5	119-1473	1	Tube-HYD	12	3234-36	2	Screw-HHF
5:1	237-22	1	O-Ring ●	13	104-8300	2	Nut-Flange, NI
6	119-1471	1	Tube-HYD	14	3234-11	2	Screw-HHF
7	119-1472	1	Tube-HYD	15	104-8301	1	Nut-Flange, NI
7:1	237-22	1	O-Ring ●	16	340-117	1	Cap

● Not illustrated



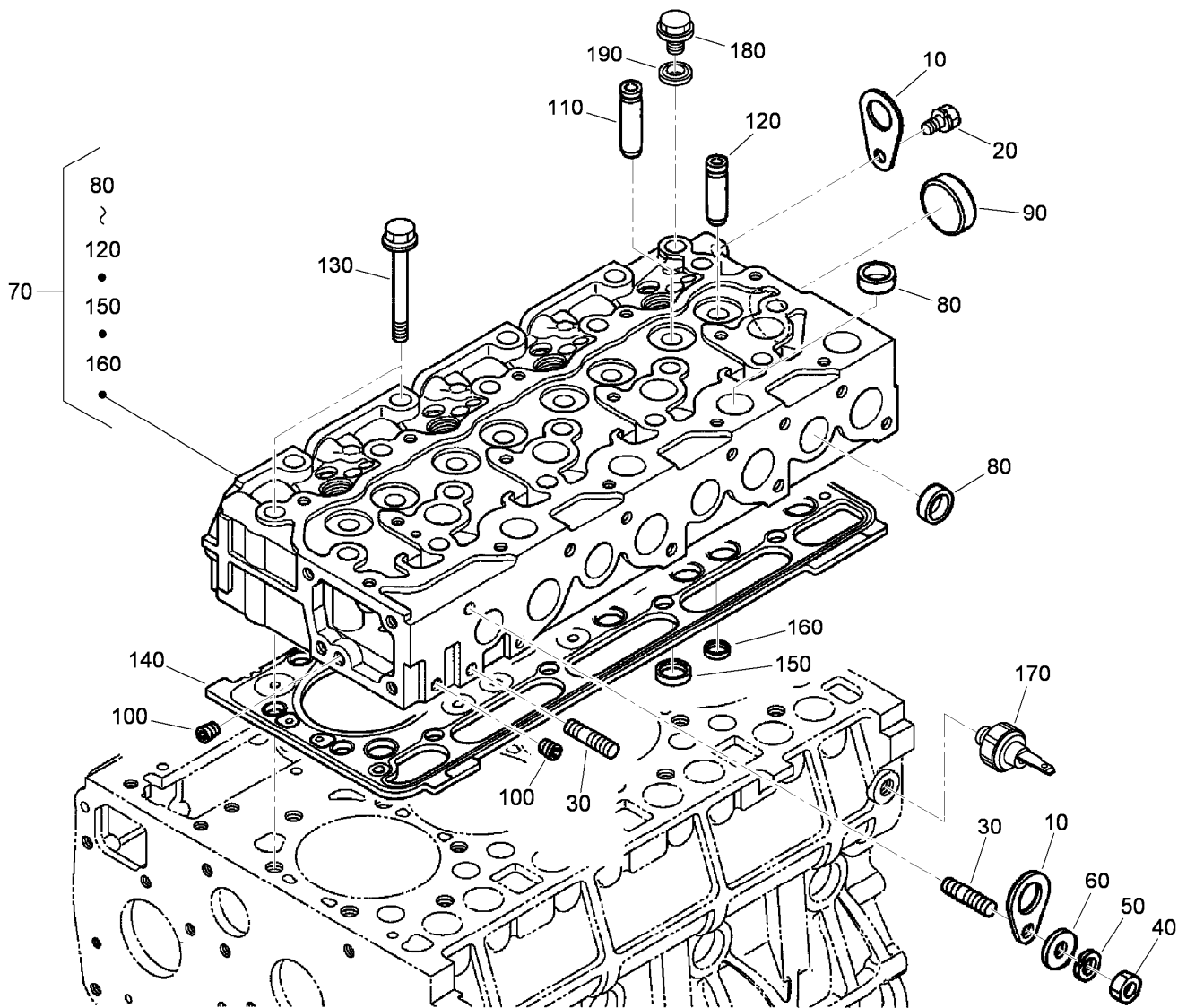
## Crankcase Assembly

<i>Ref.</i>	<i>Part Number</i>	<i>Qty.</i>	<i>Description</i>	<i>Ref.</i>	<i>Part Number</i>	<i>Qty.</i>	<i>Description</i>
10	120-5161	1	Crankcase ASM	100	98-7502	2	Pin-Straight
20	98-7487	6	Plug	110	98-7503	3	Pin-Straight
30	107-0107	2	Plug	120	98-7504	2	Pin-Straight
40	98-9379	3	Plug-Expansion	130	98-7505	1	Pin-Straight
50	98-9668	1	Plug-Expansion	140	98-7506	1	Pin-Pipe
60	98-7500	6	Cap-Sealing	150	100-2020	1	Cap-Sealing
70	98-7501	2	Cap-Sealing	160	120-2559	1	Plug
90	120-5842	1	Plug	170	98-7428	1	Gasket



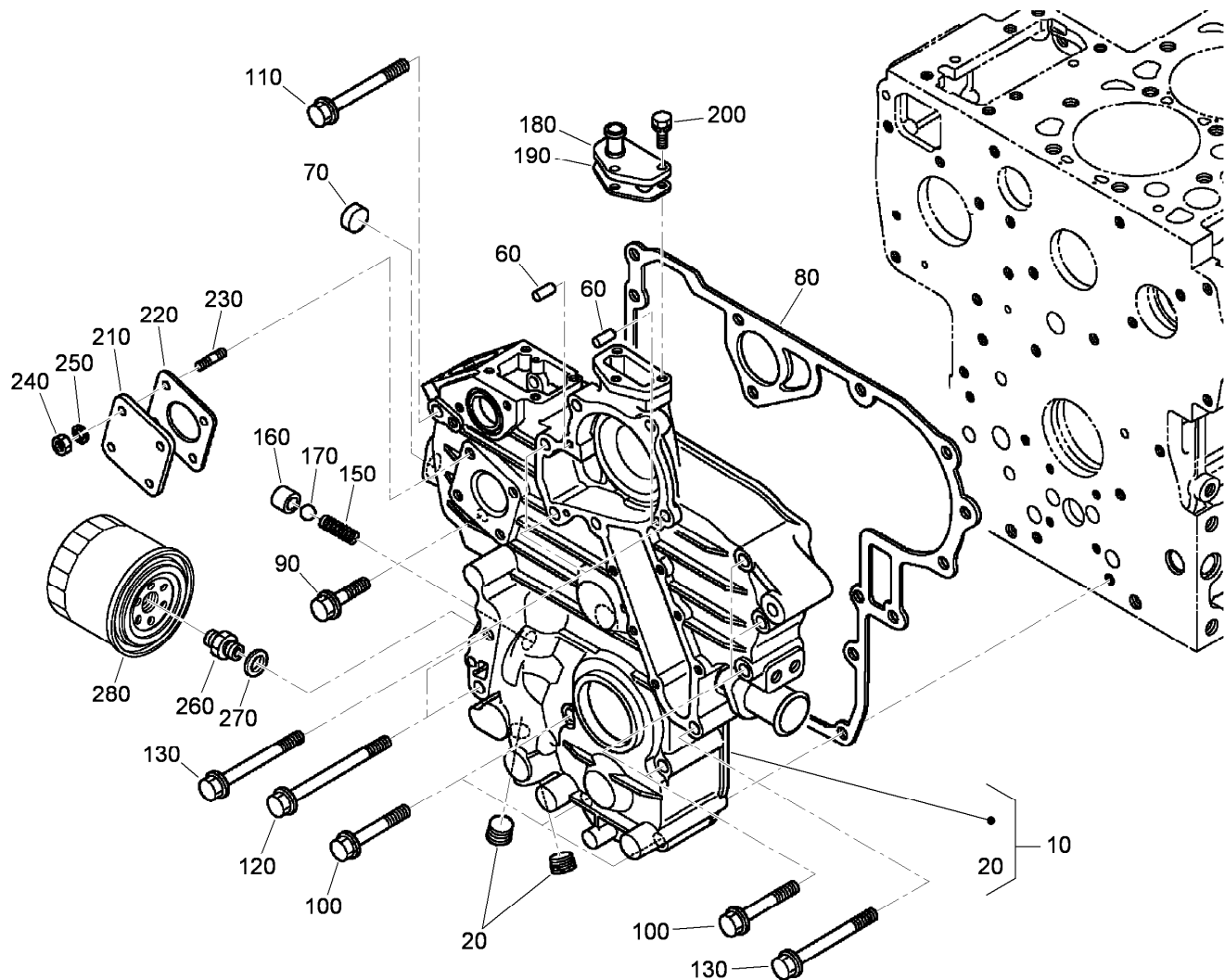
## Oil Pan Assembly

<i>Ref.</i>	<i>Part Number</i>	<i>Qty.</i>	<i>Description</i>
10	120-5836	1	Oil Pan ASM
30	110-6194	24	Bolt-Flange
40	98-9686	2	Plug-Drain
50	98-9399	2	Gasket
60	115-8503	1	Filter-Oil
70	115-8504	1	Bolt-Flange
80	108-7054	1	O-Ring



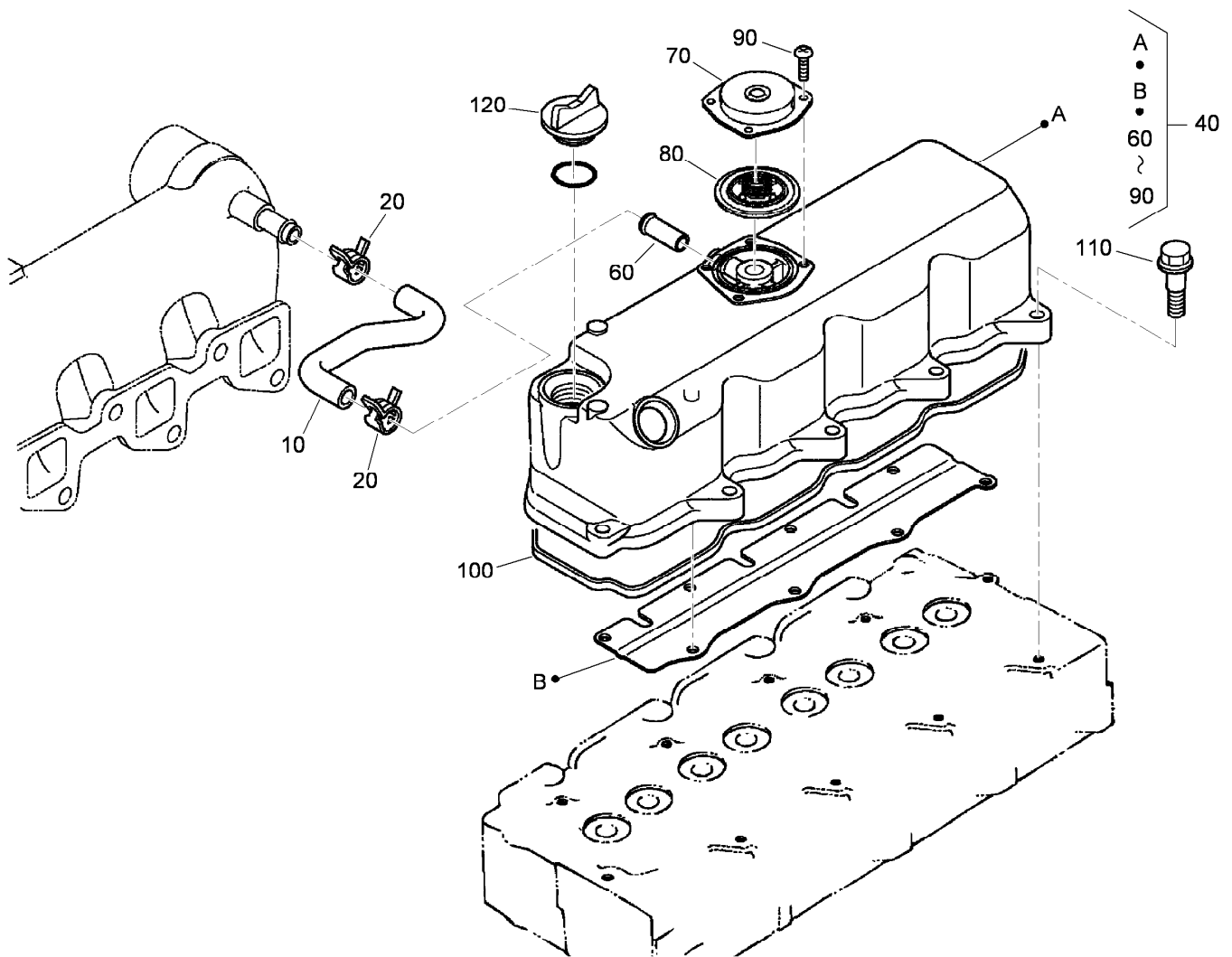
## Cylinder Head Assembly

Ref.	Part Number	Qty.	Description	Ref.	Part Number	Qty.	Description
10	98-7531	2	Hook-Engine	140	115-8509	1	Gasket-Head, Cylinder (1.20Mm)
20	98-7526	1	Bolt	140	115-8510	1	Gasket-Head, Cylinder (1.25Mm)
30	115-8506	2	Stud	140	115-8511	1	Gasket-Head, Cylinder (1.30Mm)
40	98-7534	1	Nut	140	115-8512	1	Gasket-Head, Cylinder (1.35Mm)
50	105-2893	1	Washer-Spring	150	120-5164	4	Seat-Valve, Inlet
60	98-7536	1	Washer-Plain	160	120-5165	4	Seat-Valve, Exhaust
70	120-5162	1	Cylinder Head ASM	170	98-9416	1	Switch-Oil
80	98-7538	12	Cap-Sealing	180	98-7762	1	Plug
90	98-7539	1	Cap-Sealing	190	98-7763	1	Washer-W/Rubber
100	98-7540	2	Plug				
110	120-5163	4	Guide-Valve, Inlet				
120	115-8508	4	Guide-Valve, Exhaust				
130	98-7543	18	Bolt-Head, Cylinder				
140	115-8647	1	Gasket-Head, Cylinder (1.15Mm)				



## Gear Case Assembly

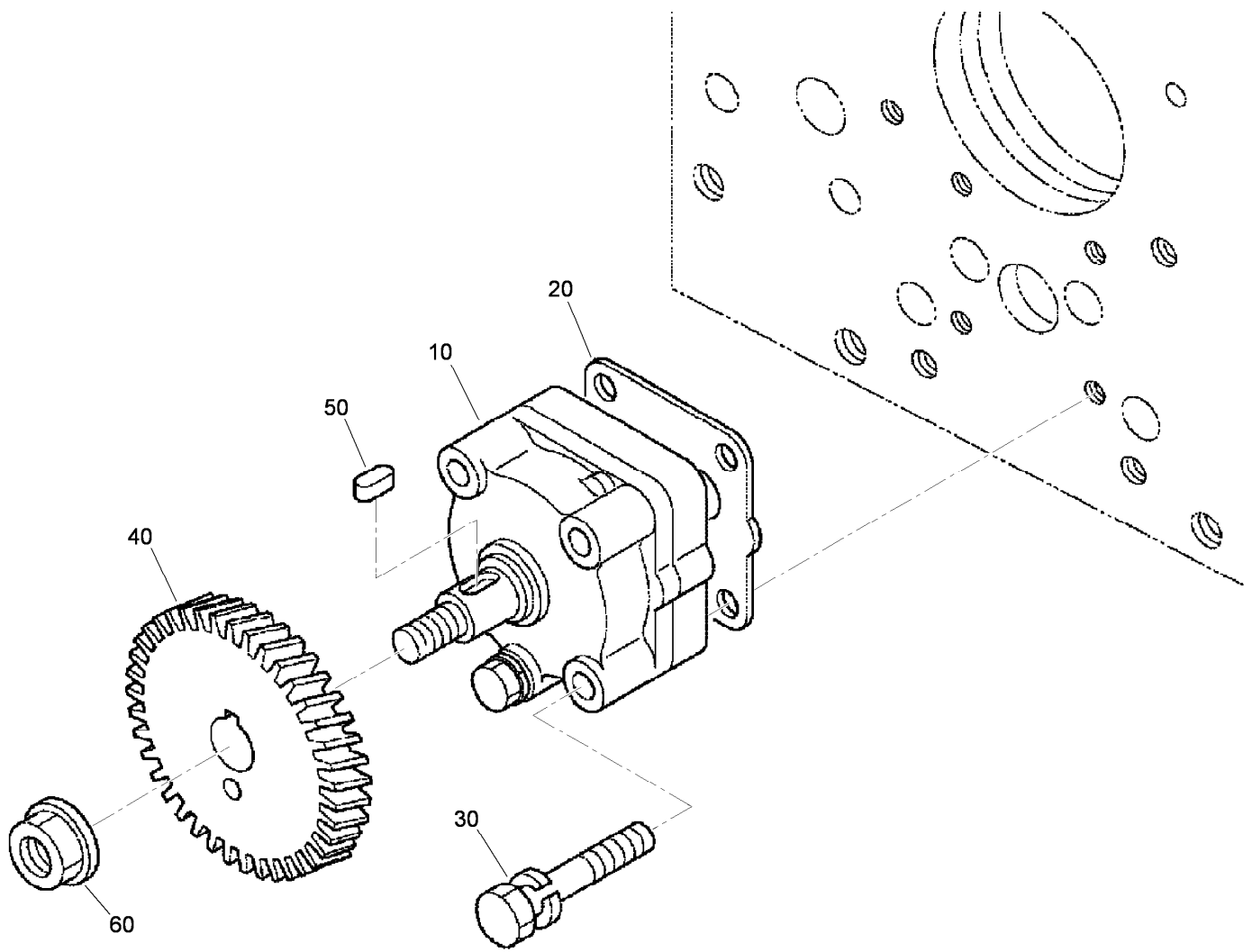
Ref.	Part Number	Qty.	Description	Ref.	Part Number	Qty.	Description
10	115-8513	1	Gear Case ASM	170	98-7565	1	Ball
20	98-9598	2	Plug	180	98-7566	1	Flange-Return, Water
60	98-7504	2	Pin-Straight	190	115-8521	1	Gasket-Flange, Return
70	115-8515	1	Cap-Sealing	200	98-7568	3	Bolt
80	120-5166	1	Gasket-Case, Gear	210	98-7569	1	Cover
90	108-7085	1	Bolt-Flange	220	115-8522	1	Gasket-Meter, Hour
100	115-8517	7	Bolt-Flange	230	98-7571	4	Stud
110	115-8518	1	Bolt-Flange	240	98-7572	4	Nut
120	115-8519	2	Bolt-Flange	250	98-7699	4	Washer-Spring
130	115-8520	4	Bolt-Flange	260	120-5167	1	Joint-Pipe
150	98-7563	1	Spring	270	108-4419	1	Collar-Valve Seat
160	98-7564	1	Seat-Valve	280	104-5169	1	Filter-Oil



## Cylinder Head Cover Assembly

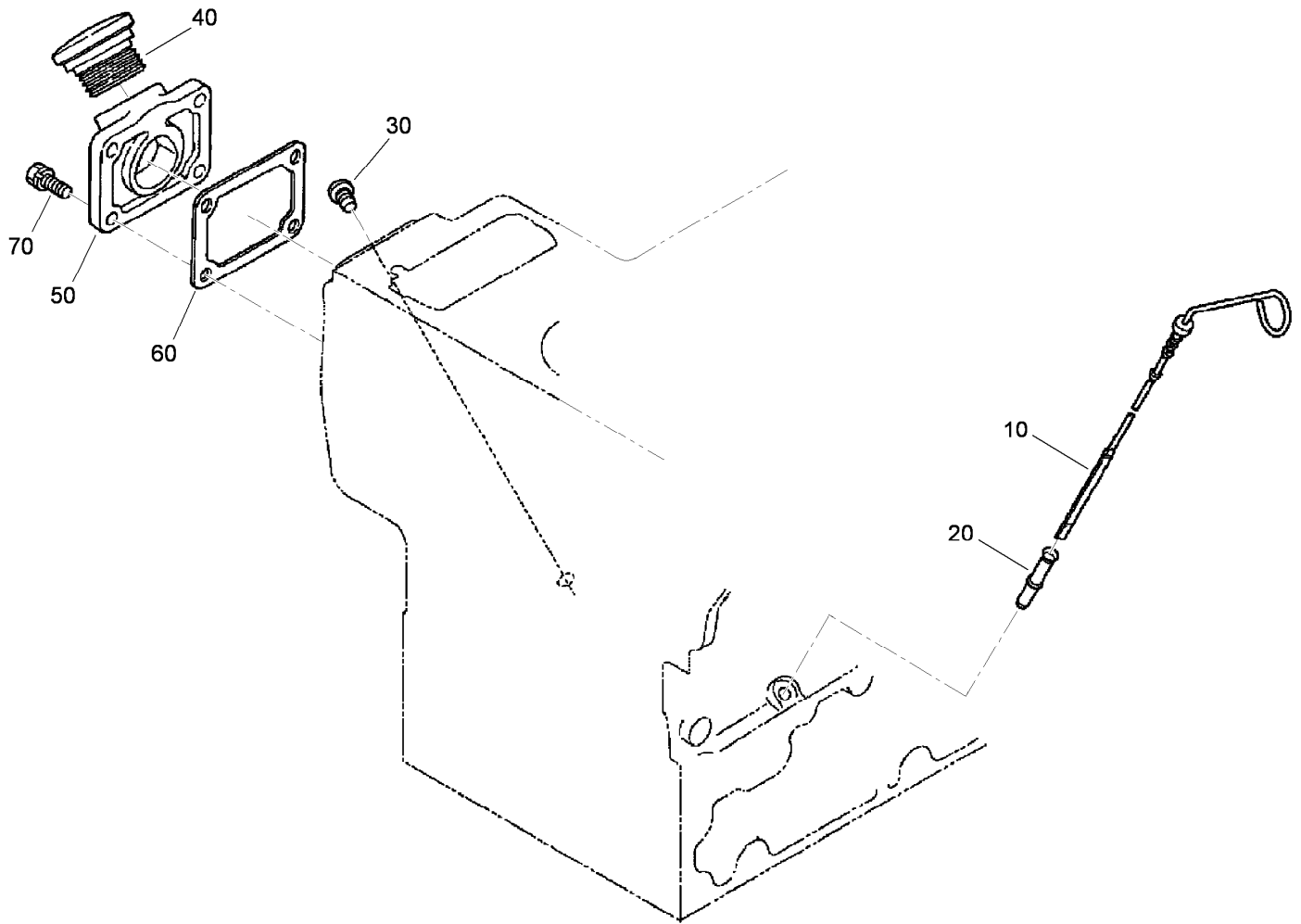
Ref.	Part Number	Qty.	Description
10	120-5168	1	Tube-Breather
20	115-8524	2	Clamp-Hose
40	115-8525	1	Cylinder Head Cover ASM
60	98-7766	1	Pipe-Return, Water
70	110-3714	1	Cover-Breather
80	110-3715	1	Valve-Breather
90	98-7421	4	Screw W/Washer
100	108-7062	1	Gasket-Cover, Head
110	108-7063	10	Bolt
120	107-9075	1	Plug-Filler, Oil





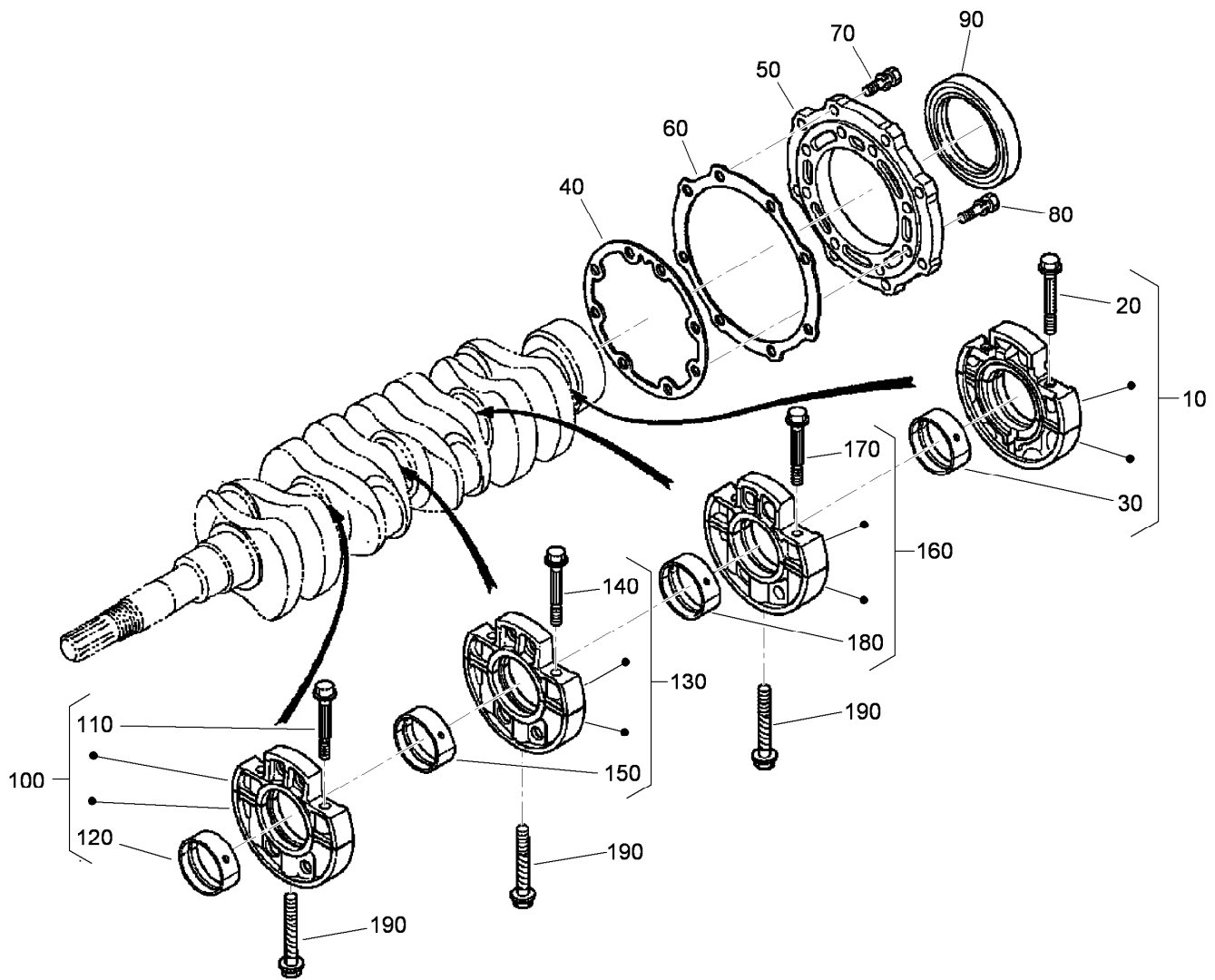
## Oil Pump Assembly

<i>Ref.</i>	<i>Part Number</i>	<i>Qty.</i>	<i>Description</i>
10	98-7512	1	Oil Pump ASM
20	115-8648	1	Gasket-Pump, Oil
30	105-3797	4	Bolt
40	115-8533	1	Gear-Drive, Oil Pump
50	98-7517	1	Key-Feather
60	98-7518	1	Nut-Flange



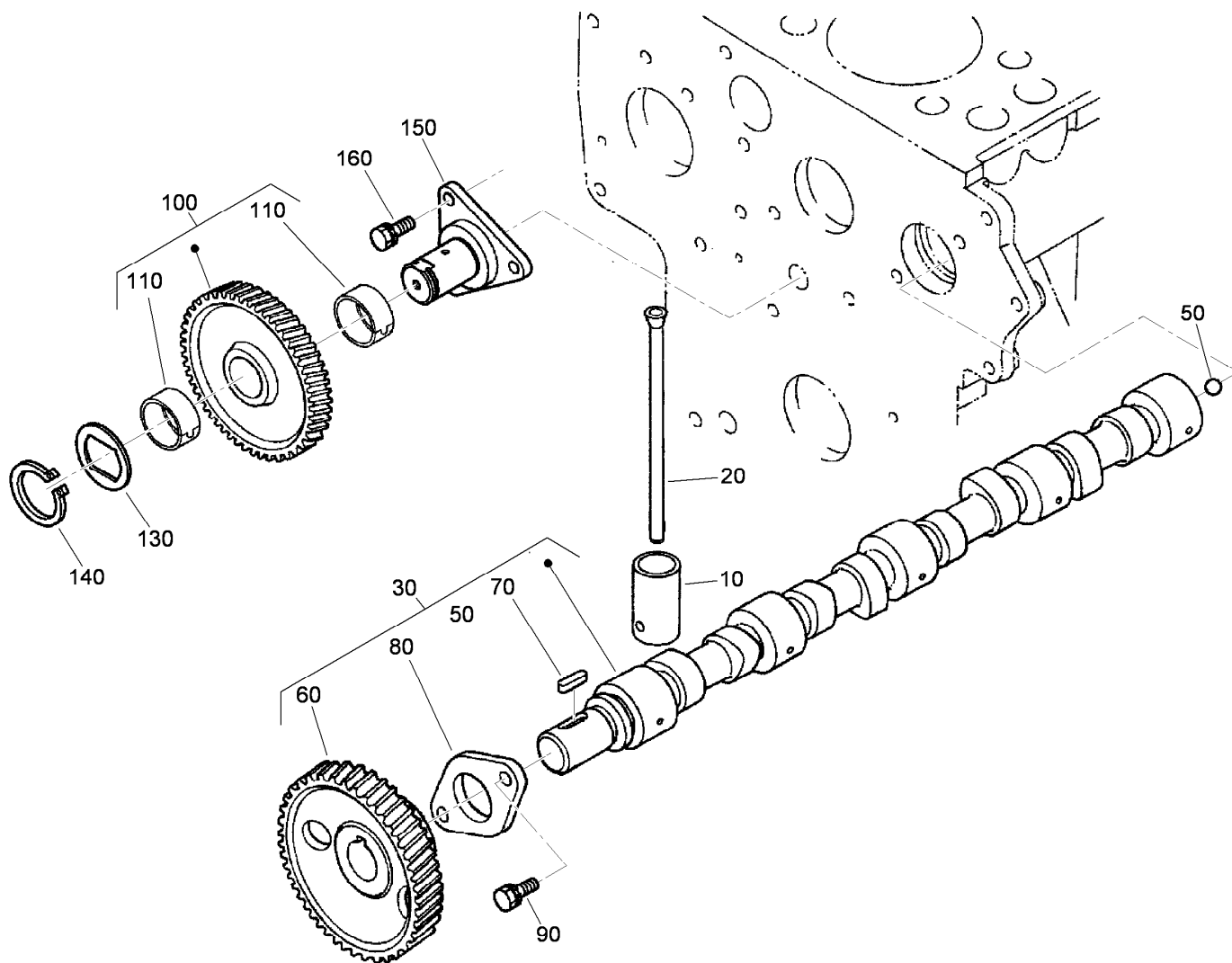
## Dipstick and Guide Assembly

<i>Ref.</i>	<i>Part Number</i>	<i>Qty.</i>	<i>Description</i>
10	120-5169	1	Gauge-Oil
20	105-4580	1	Guide-Gauge, Oil
30	110-3720	1	Plug-Gauge, Oil
40	120-5170	1	Plug-Oil Filler
50	115-8532	1	Flange-Filler, Oil
60	98-7604	1	Gasket-Cover, Pump
70	98-7605	4	Bolt



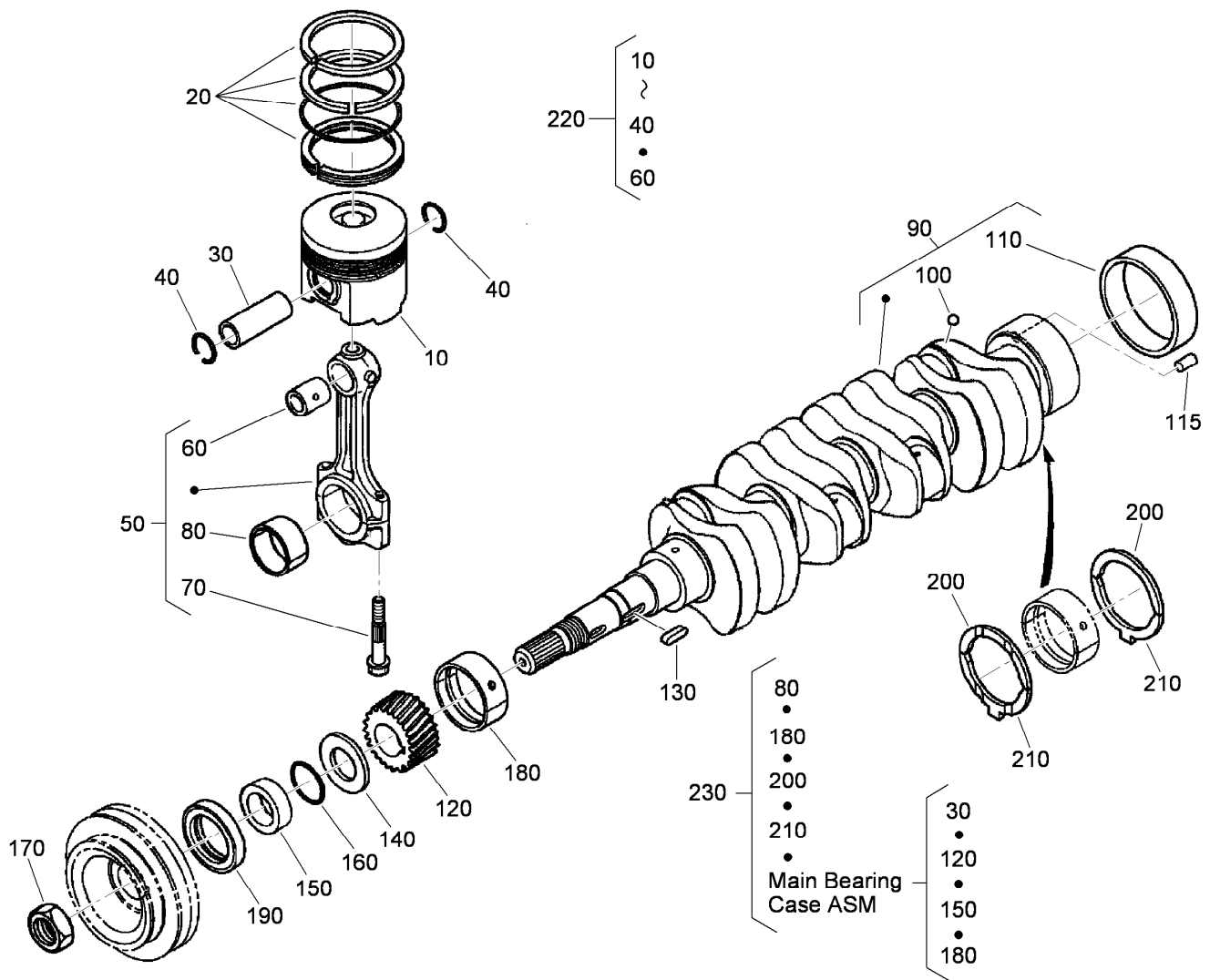
## Main Bearing Case Assembly

<i>Ref.</i>	<i>Part Number</i>	<i>Qty.</i>	<i>Description</i>	<i>Ref.</i>	<i>Part Number</i>	<i>Qty.</i>	<i>Description</i>
10	115-8534	1	Wheel Bearing Case ASM	120	108-7067	1	Metal-Crankshaft (STD)
20	108-7066	2	Bolt-Case, Bearing	120	108-7068	1	Metal-Crankshaft (-0.20Mm)
30	108-7067	1	Metal-Crankshaft (STD)	120	108-7069	1	Metal-Crankshaft (-0.40Mm)
30	108-7068	1	Metal-Crankshaft (-0.20Mm)	130	108-7074	1	Main Bearing Case ASM
30	108-7069	1	Metal-Crankshaft (-0.40Mm)	140	108-7066	2	Bolt-Case, Bearing
40	108-7070	1	Gasket-Case, Bearing	150	108-7069	1	Metal-Crankshaft (-0.40Mm)
50	117-8843	1	Cover-Case, Bearing	150	108-7068	1	Metal-Crankshaft (-0.20Mm)
60	98-7437	1	Gasket-Case Cover, Bearing	150	108-7067	1	Metal-Crankshaft (STD)
70	98-7438	8	Bolt	160	115-8536	1	Main Bearing Case ASM
80	98-7439	8	Bolt	170	108-7066	2	Bolt-Case, Bearing
90	108-7072	1	Seal-Oil	180	108-7067	1	Metal-Crankshaft (STD)
100	115-8535	1	Main Bearing Case ASM	180	108-7068	1	Metal-Crankshaft (-0.20Mm)
110	108-7066	2	Bolt-Case, Bearing	180	108-7069	1	Metal-Crankshaft (-0.40Mm)
				190	98-7444	3	Bolt-Case, Bearing



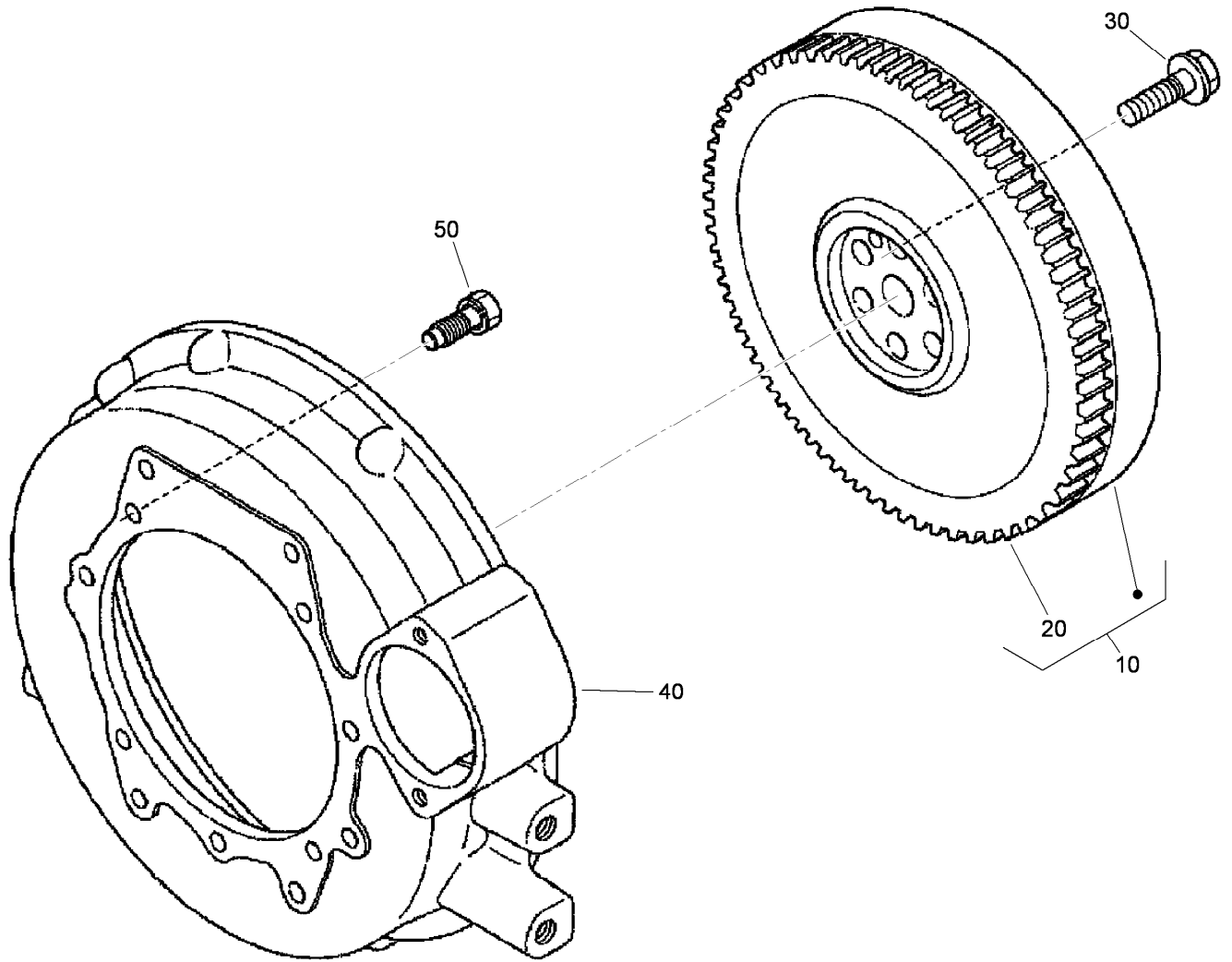
## Cam Shaft and Idle Gear Assembly

<i>Ref.</i>	<i>Part Number</i>	<i>Qty.</i>	<i>Description</i>
10	98-7445	8	Tappet
20	115-8537	8	Rod-Push
30	120-5171	1	Camshaft ASM
50	110-3729	1	Ball
60	120-5172	1	Gear-Cam
70	98-7451	1	Key-Feather
80	120-5173	1	Stopper-Camshaft
90	98-7453	2	Bolt
100	120-5174	1	Idle Gear ASM
110	120-5175	1	Bushing-Gear, Idle
130	107-0111	1	Collar
140	120-5176	1	Circlip
150	120-5177	1	Shaft-Gear, Idle
160	98-7453	3	Bolt



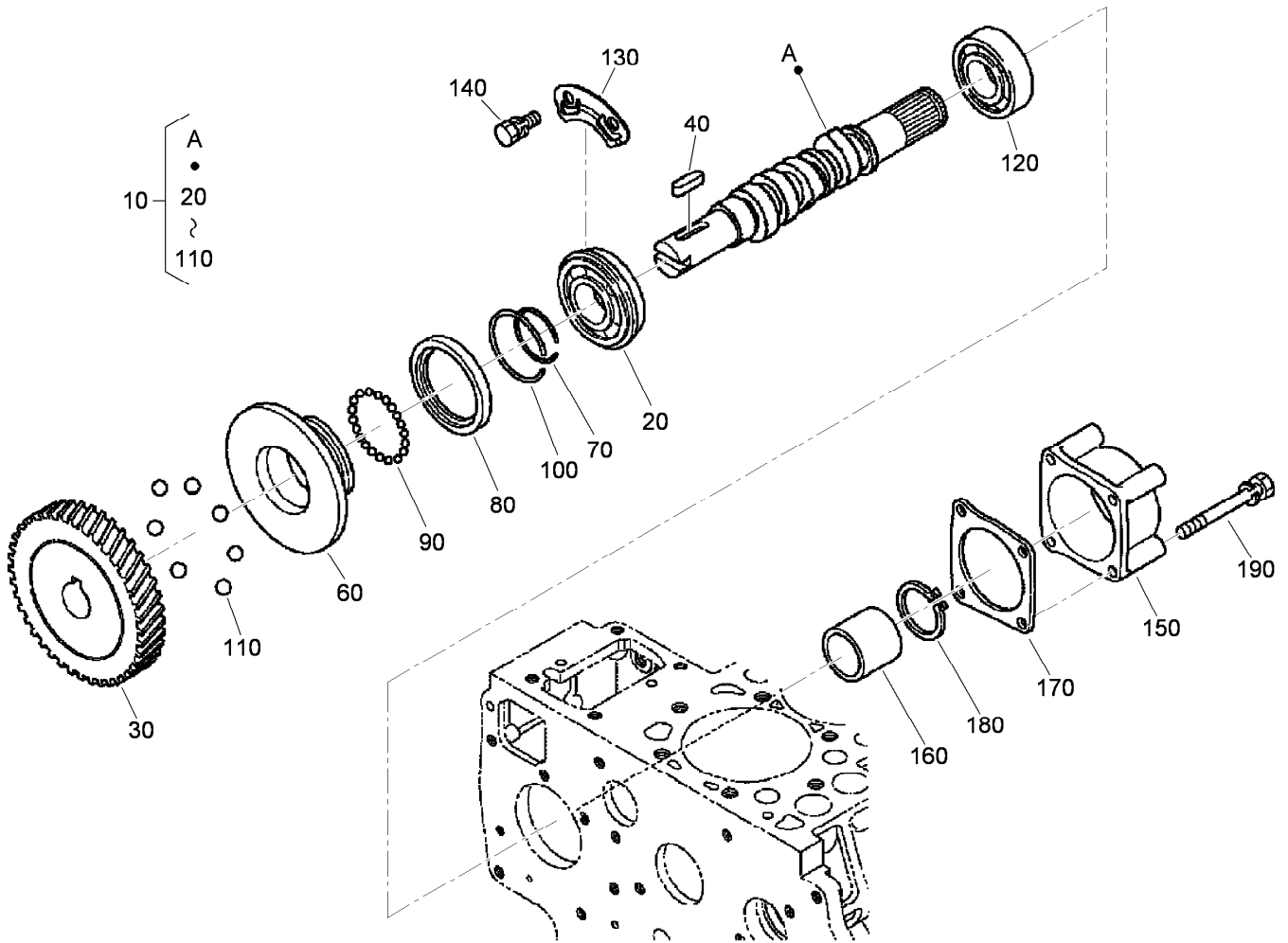
## Piston and Crankshaft Assembly

Ref.	Part Number	Qty.	Description	Ref.	Part Number	Qty.	Description
10	120-5180	4	Piston (STD)	160	98-7478	1	O-Ring
10	120-5181	4	Piston (+0.25Mm)	170	98-7479	1	Nut-Crankshaft
20	120-5182	4	Piston Ring ASM (STD)	180	108-7075	1	Metal-Crankshaft (STD)
20	120-5183	4	Piston Ring ASM (+0.25Mm)	180	108-7076	1	Metal-Crankshaft (-0.20Mm)
30	115-8544	4	Pin-Piston	180	108-7077	1	Metal-Crankshaft (-0.40Mm)
40	112-7002	8	Circlip	190	98-7480	1	Seal-Oil
50	120-5837	4	Connecting Rod ASM	200	108-7078	2	Metal-Side (STD)
60	120-5838	4	Bushing-Pin, Piston	200	108-7079	2	Metal-Side (+0.20Mm)
70	98-7468	8	Bolt-Rod, Connecting	200	108-7080	2	Metal-Side (+0.40Mm)
80	115-8547	4	Metal-Crankpin (-0.20Mm)	210	108-7081	2	Metal-Side (STD)
80	115-8548	4	Metal-Crankpin (-0.40Mm)	210	108-7082	2	Metal-Side (+0.20Mm)
80	98-7469	4	Metal-Crankpin (STD)	210	108-7083	2	Metal-Side (+0.40Mm)
90	120-5839	1	Crankshaft ASM	220	120-5186	1	Piston Kit (STD)
100	110-3729	4	Ball	220	120-5187	1	Piston Kit (+0.25Mm)
110	98-7474	1	Sleeve-Crankshaft	230	120-5188	1	Engine Metal Kit (STD)
115	120-5840	1	Pin-Straight	230	115-8555	1	Engine Metal Kit (-0.20Mm/+0.20Mm)
120	120-5185	1	Gear-Crankshaft	230	115-8556	1	Engine Metal Kit (-0.40Mm/+0.40Mm)
130	115-8552	1	Key-Feather				
140	98-7476	1	Slinger-Oil				
150	98-7477	1	Collar-Crankshaft				



## Flywheel Assembly

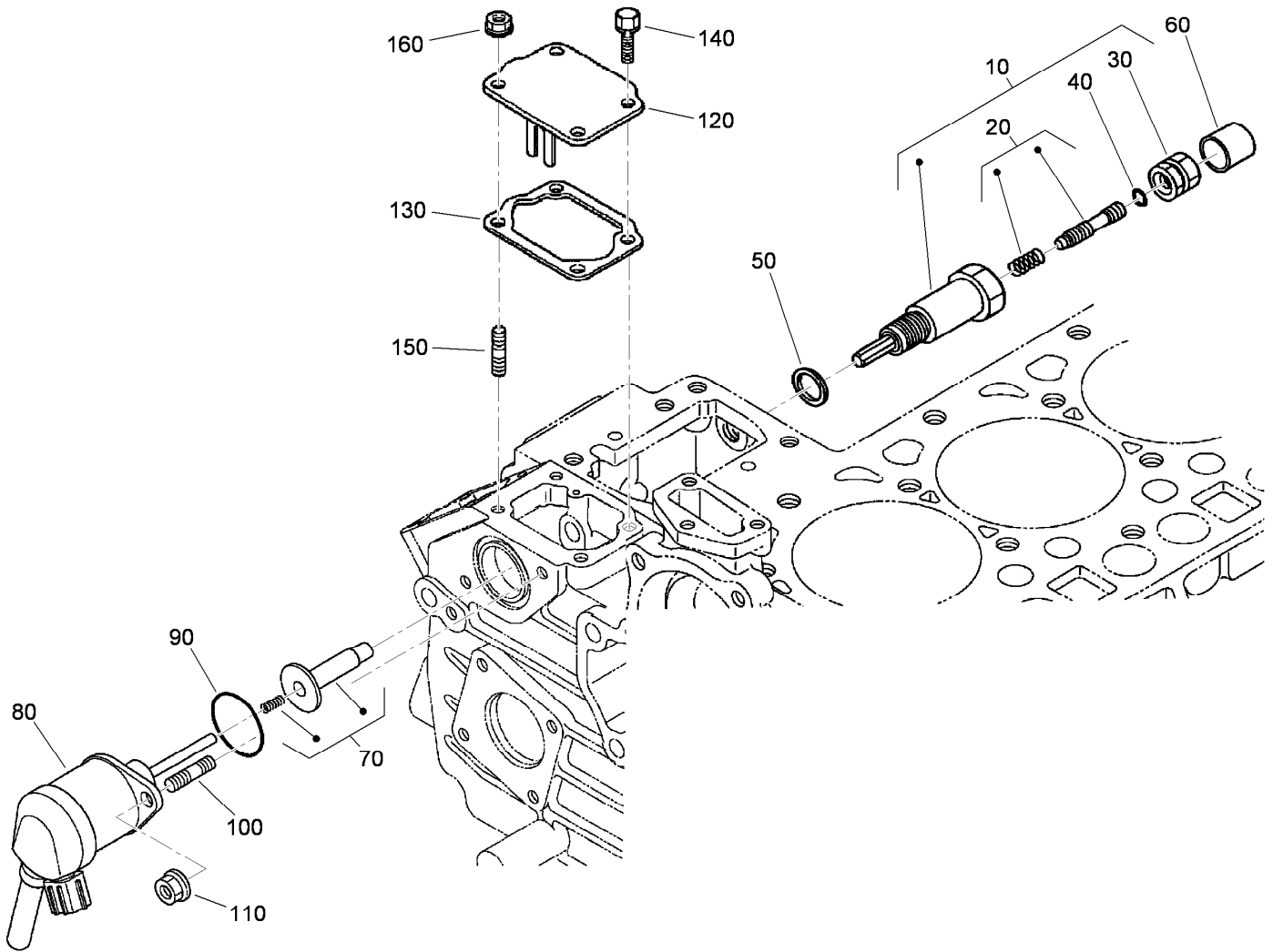
<i>Ref.</i>	<i>Part Number</i>	<i>Qty.</i>	<i>Description</i>
10	115-8557	1	Flywheel ASM
20	115-8558	1	Gear-Ring
30	120-5189	6	Bolt-Flywheel
40	115-8559	1	Housing-Flywheel
50	98-7885	11	Bolt



## Fuel Camshaft and Governor Shaft Assembly

Ref.	Part Number	Qty.	Description
10	120-5190	1	Fuel Camshaft ASM
20	120-5191	1	Bearing-Ball
30	98-7574	1	Gear-Pump, Injection
40	98-7575	1	Key-Feather
60	98-7577	1	Sleeve-Governor
70	98-7578	1	Circlip-Sleeve, Governor
80	120-5192	1	Case-Ball, Governor
90	98-7580	39	Ball
100	98-7581	1	Circlip

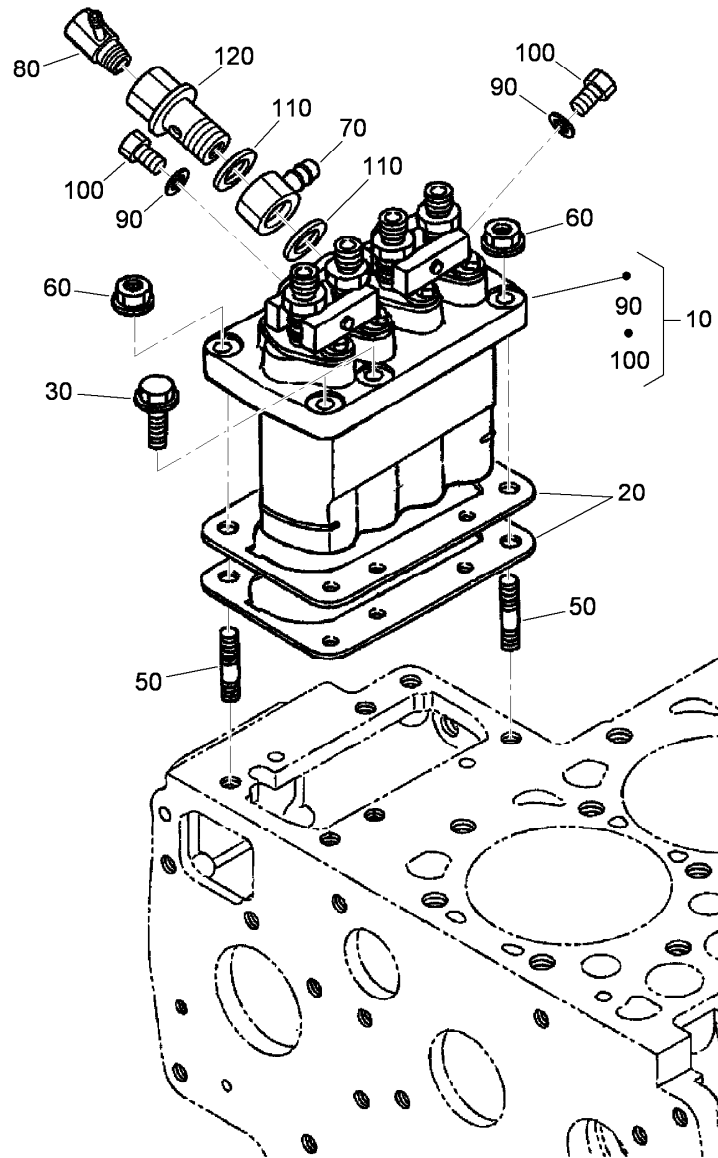
Ref.	Part Number	Qty.	Description
110	98-7582	7	Ball
120	115-8562	1	Bearing-Ball
130	120-5193	1	Stopper-Camshaft, Fuel
140	100-9195	2	Bolt
150	115-8564	1	Cover-Camshaft, Fuel
160	115-8565	1	Collar
170	115-8566	1	Gasket
180	120-5194	1	Circlip-External
190	98-7590	4	Bolt



## Idle Apparatus and Stop Solenoid Assembly

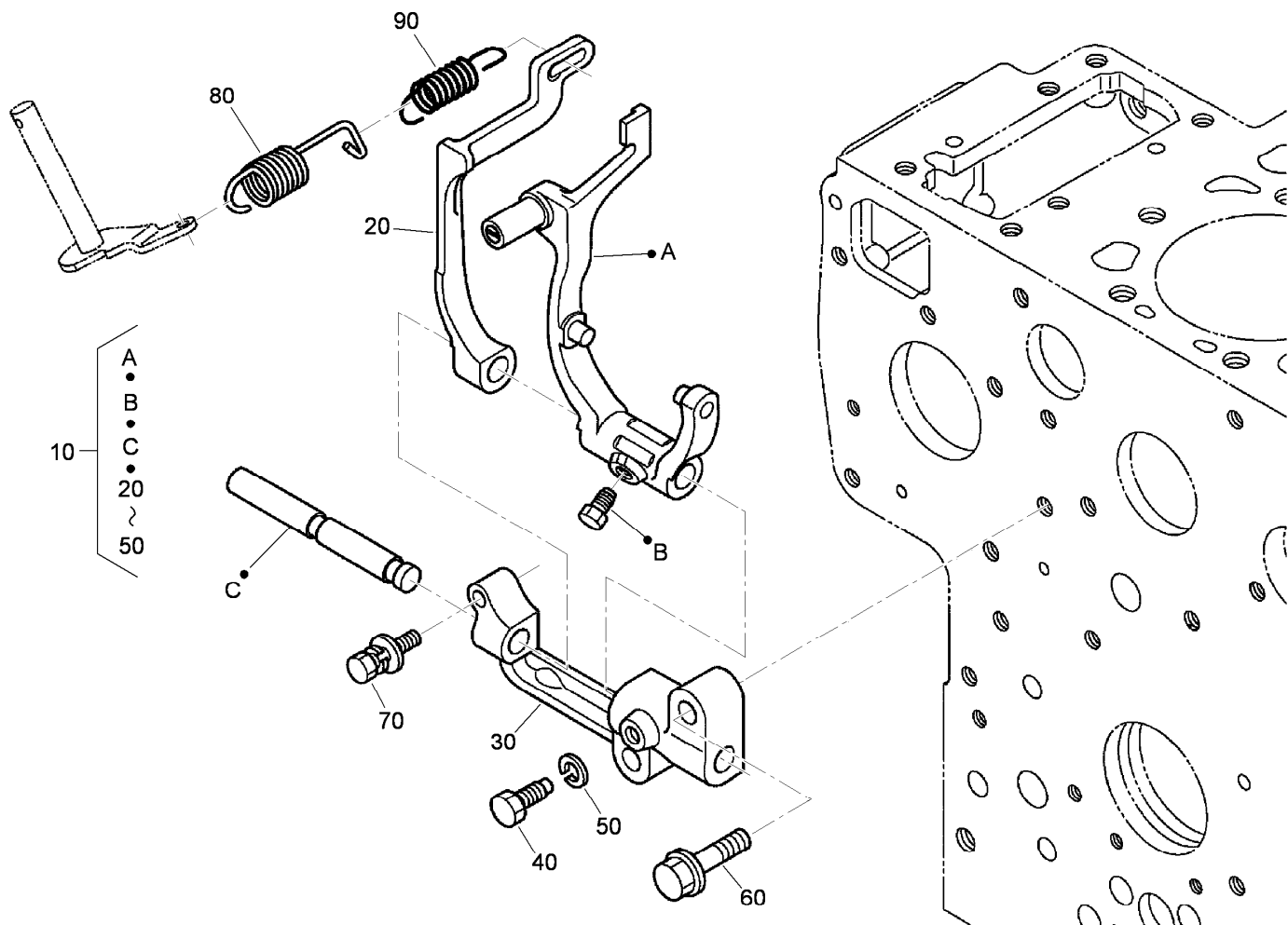
<i>Ref.</i>	<i>Part Number</i>	<i>Qty.</i>	<i>Description</i>	<i>Ref.</i>	<i>Part Number</i>	<i>Qty.</i>	<i>Description</i>
10	120-5195	1	Apparatus-Idling	90	110-3762	1	O-Ring
20	120-5196	1	Adjustment Bolt ASM	100	98-7571	2	Stud
30	115-8569	1	Nut-Spring	110	100-2203	2	Nut-Flange
40	115-8570	1	O-Ring	120	120-5818	1	Cover
50	115-8571	1	Gasket	130	115-8578	1	Gasket-Plate
60	115-8572	1	Cap	140	98-7692	2	Bolt
70	115-8579	1	Guide-Solenoid	150	100-1924	2	Stud
80	115-8580	1	Solenoid ASM	160	100-2203	2	Nut-Flange





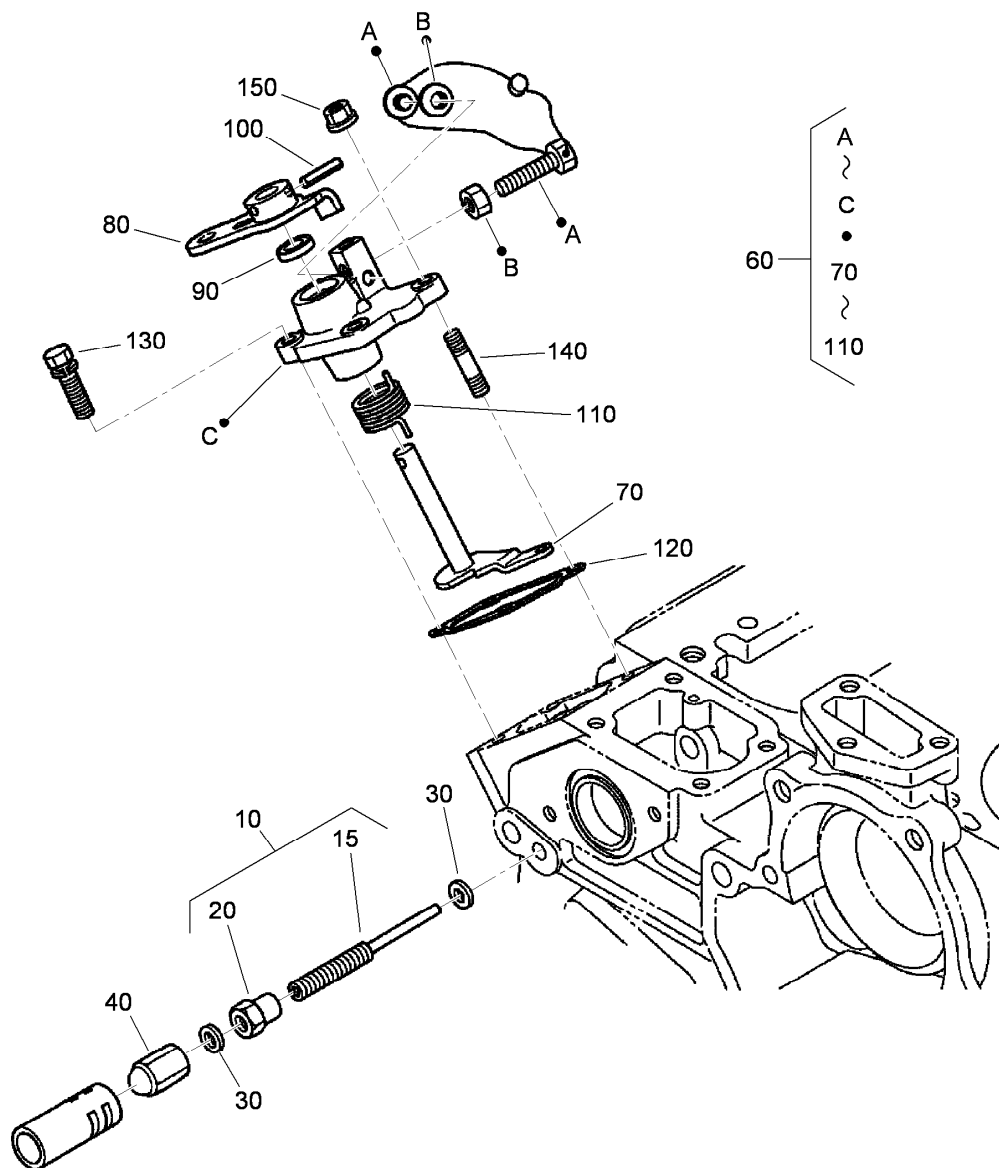
## Injection Pump Assembly

<i>Ref.</i>	<i>Part Number</i>	<i>Qty.</i>	<i>Description</i>
10	120-5197	1	Injection Pump ASM
20	115-8582	1	Shim-Pump, Injection (0.175Mm)
20	98-7607	1	Shim-Pump, Injection (0.200Mm)
20	107-0147	1	Shim-Pump, Injection (0.250Mm)
20	107-0148	1	Shim-Pump, Injection (0.300Mm)
20	120-5198	1	Shim-Pump, Injection (0.350Mm)
30	115-8583	4	Bolt-Flange
50	100-1558	2	Stud
60	112-2492	2	Nut-Flange
70	119-8045	1	Joint-Eye
80	107-4300	1	Orifice ASM
90	120-5199	2	Gasket
100	120-5800	2	Screw-Bleeder, Air
110	119-8047	2	Gasket
120	119-8046	1	Bolt-Joint, Eye



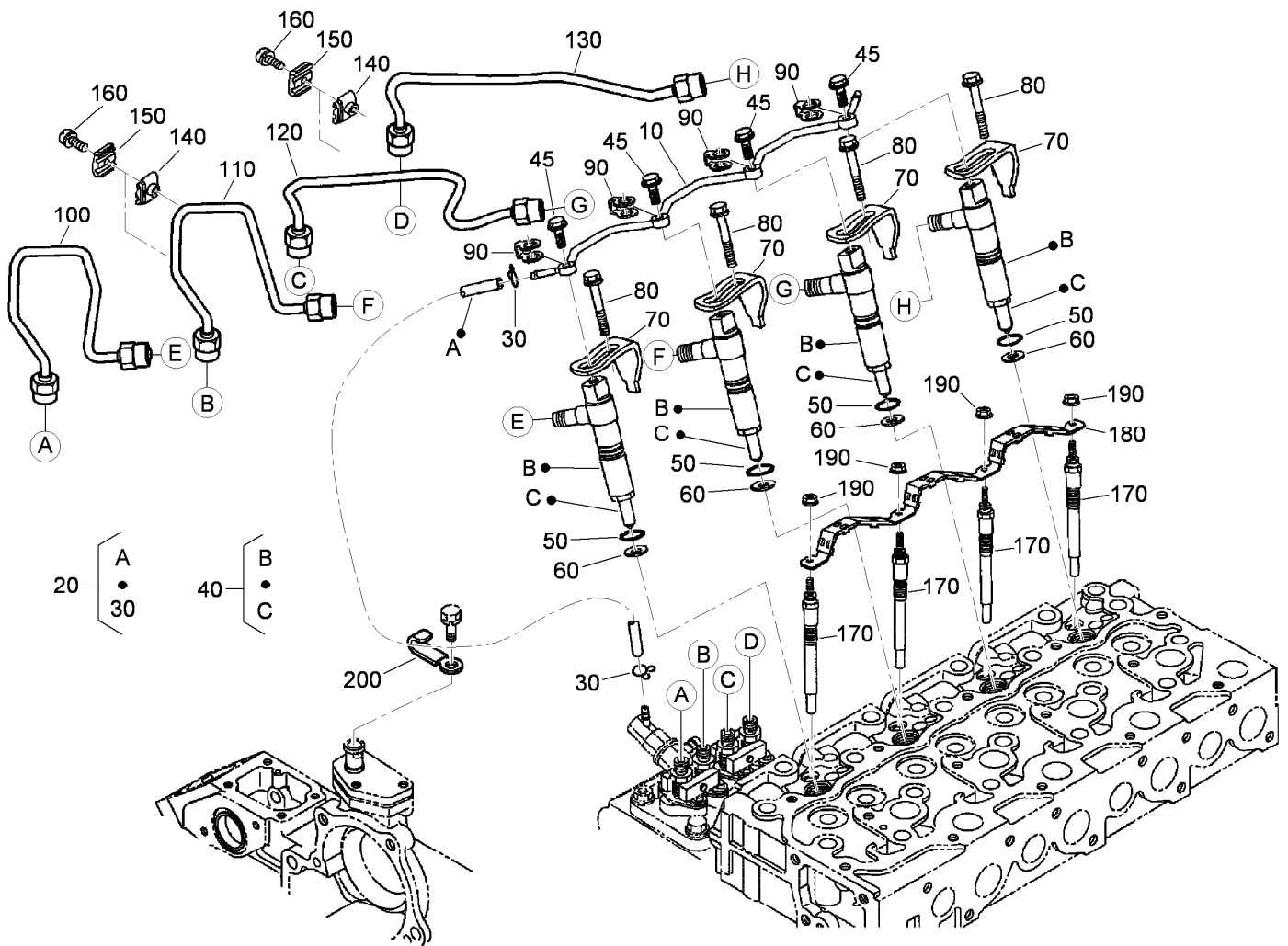
## Governor Assembly

Ref.	Part Number	Qty.	Description
10	120-5801	1	Fork Lever ASM
20	115-8585	1	Lever-Fork
30	98-7643	1	Holder-Lever, Fork
40	98-7644	1	Bolt
50	98-7699	1	Washer-Spring
60	108-7085	2	Bolt-Flange
70	108-7086	1	Bolt
80	120-5802	1	Spring-Governor
90	120-5803	1	Spring-Governor



## Speed Control Plate Assembly

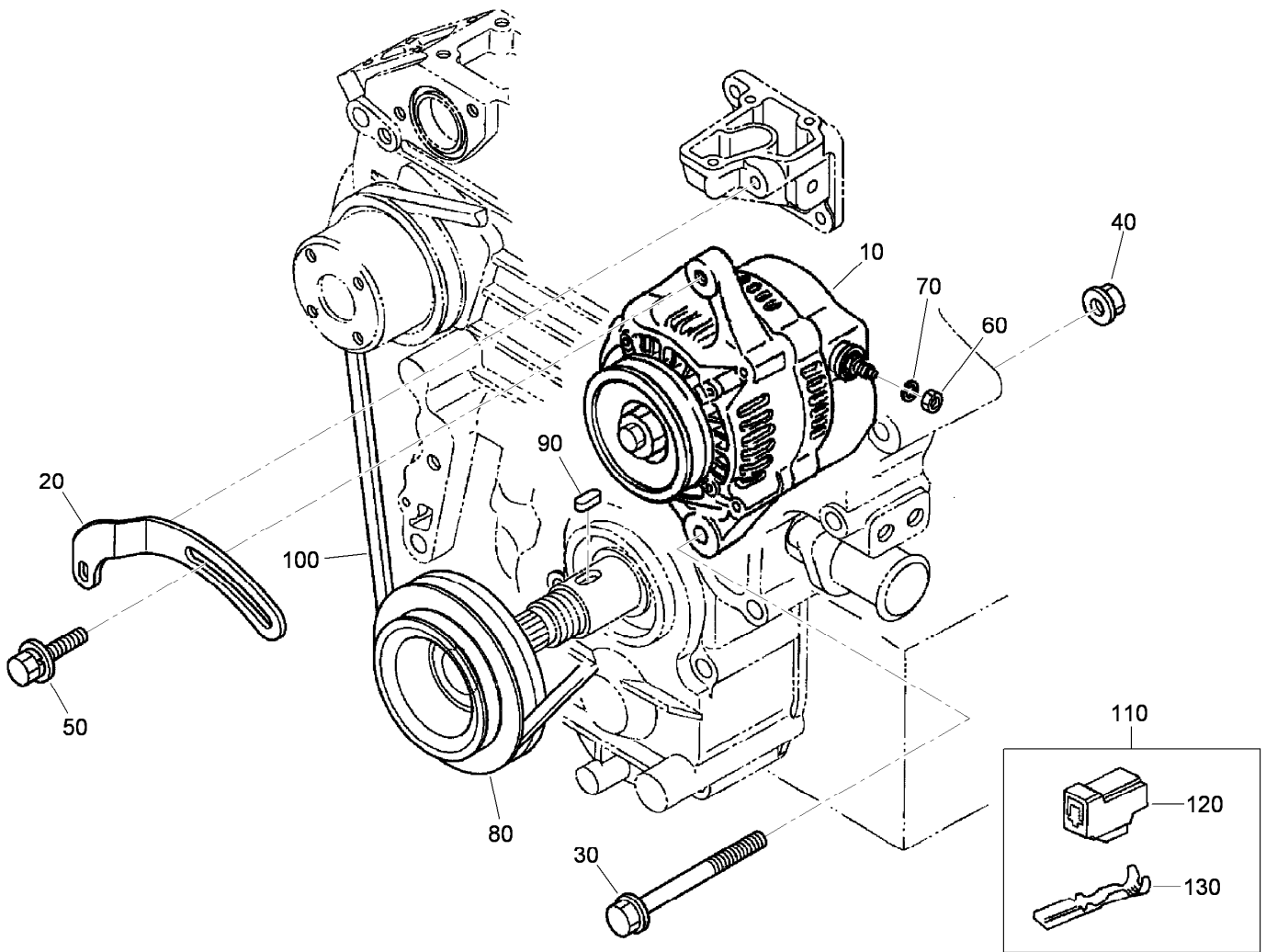
Ref.	Part Number	Qty.	Description
10	107-0132	1	Adjustable Bolt ASM
15	115-8588	1	Bolt-Adjusting
20	98-7653	1	Nut
30	98-7654	2	Gasket
40	98-7655	1	Nut-Cap
60	115-8589	1	Control Plate ASM
70	115-8590	1	Lever-Governor
80	115-8591	1	Lever-Control, Speed
90	115-8576	1	Seal-Oil
100	98-7602	1	Pin-Spring
110	115-8593	1	Spring-Return
120	115-8578	1	Gasket-Plate
130	98-7568	2	Bolt
140	98-7571	2	Stud
150	100-2203	2	Nut-Flange



## Nozzle Holder and Glow Plug Assembly

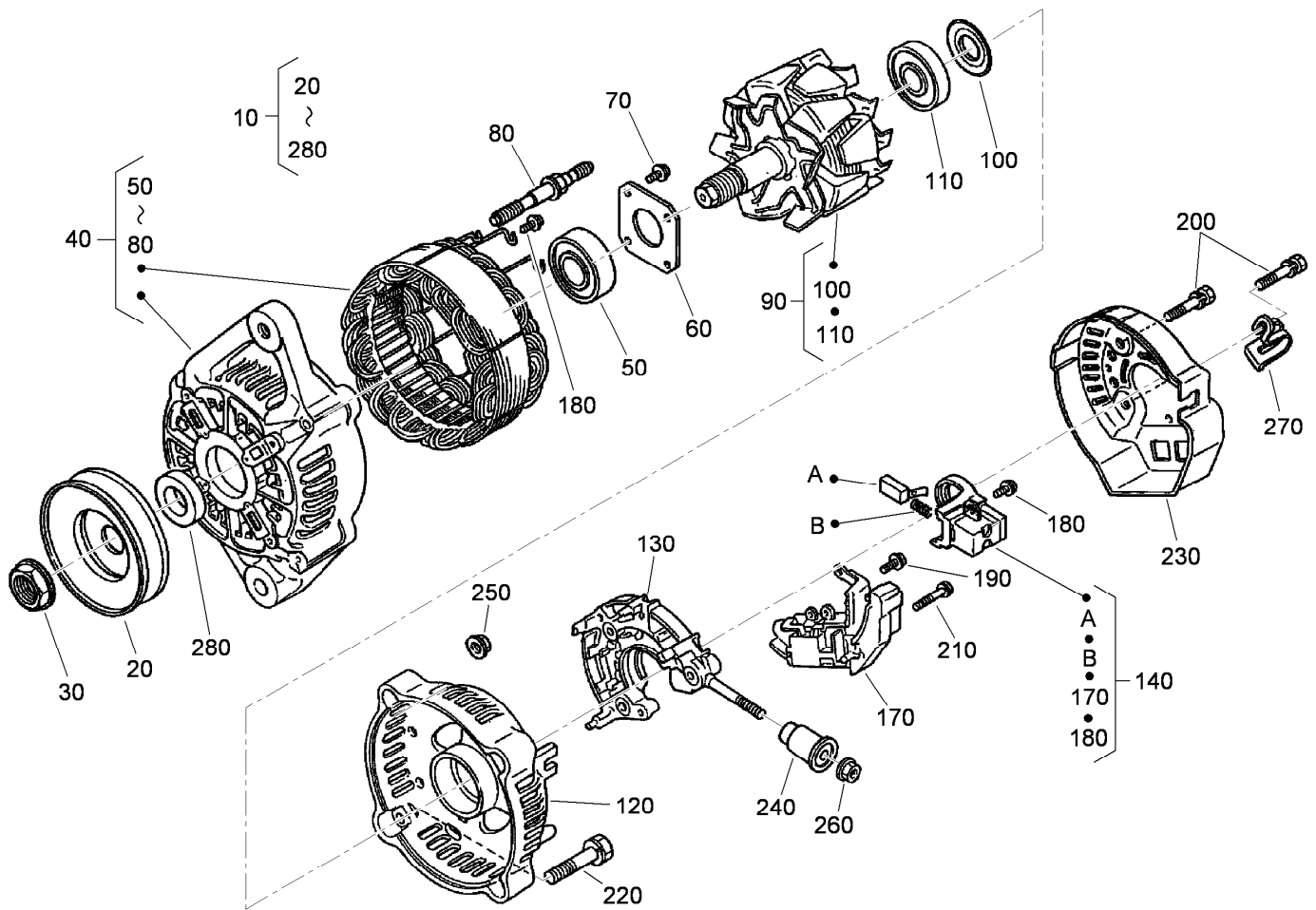
Ref.	Part Number	Qty.	Description
10	120-5804	1	Overflow Pipe ASM
20	120-5805	1	Fuel Tube ASM
30	115-8595	2	Clip-Pipe
40	120-5806	4	Nozzle Holder ASM
45	120-5807	4	Bolt-Joint, Eye
50	98-7547	4	O-Ring
60	120-5808	4	Gasket
70	120-5809	4	Clamp-Nozzle
80	120-5810	4	Bolt-Clamp
90	120-5811	4	Gasket
100	120-5812	1	Pipe-Injection

Ref.	Part Number	Qty.	Description
110	120-5813	1	Pipe-Injection
120	120-5814	1	Pipe-Injection
130	120-5815	1	Pipe-Injection
140	98-7682	2	Clamp-Pipe
150	98-7683	2	Clamp-Pipe
160	98-7684	2	Screw (W/Washer)
170	120-5816	4	Plug-Glow
180	120-5817	1	Cord-Plug, Glow
190	99-8377	4	Nut-Flange
200	98-7673	1	Clamp-Cord



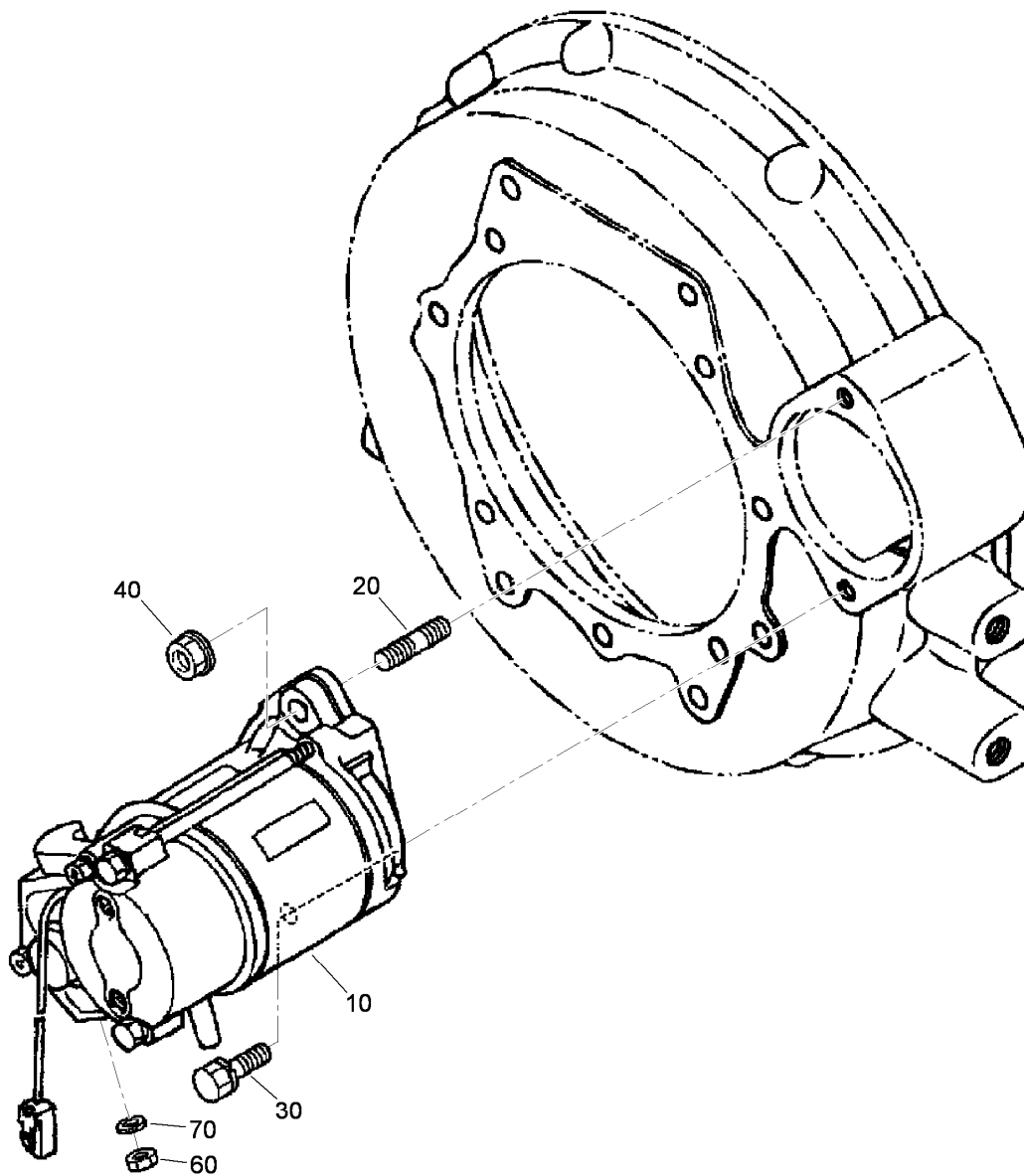
## Alternator and Pulley Assembly

Ref.	Part Number	Qty.	Description
10	120-5819	1	Alternator
20	120-5820	1	Stay-Dynamo
30	120-5821	1	Bolt-Flange
40	120-5822	1	Nut-Flange
50	108-7088	1	Bolt
60	98-7572	1	Nut
70	98-7699	1	Washer-Spring
80	120-5823	1	Pulley-Drive, Fan
90	98-7451	1	Key-Feather
100	120-5824	1	Belt-Fan
110	115-8600	1	Coupler ASM
120	115-8601	1	Connector
130	115-8602	2	Terminal



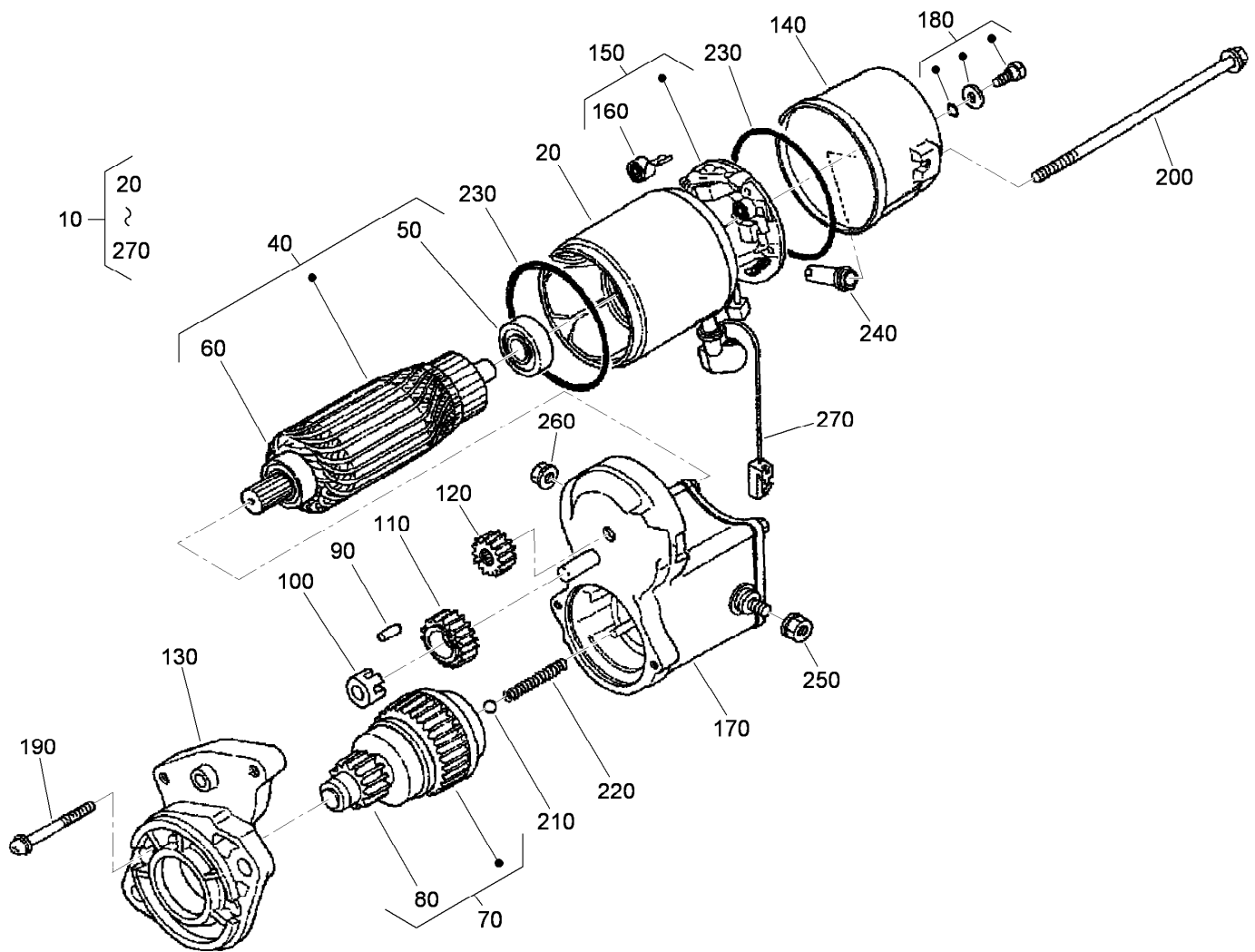
## Alternator Component Part Assembly

Ref.	Part Number	Qty.	Description	Ref.	Part Number	Qty.	Description
10	120-5819	1	Alternator	140	107-0141	1	Brush Holder ASM
20	98-7707	1	Pulley-Alternator	170	110-3799	1	Regulator ASM
30	98-7708	1	Nut	180	98-7727	6	Screw-Head, Round
40	117-0316	1	Drive End Frame ASM	190	98-7728	1	Screw-Head, Round
50	107-0137	1	Bearing-Ball	200	98-7729	3	Bolt
60	98-7715	1	Plate-Retainer	210	98-7726	2	Screw-Head, Round
70	98-7716	4	Screw-Head, Round	220	98-7731	2	Bolt
80	98-7717	2	Bolt-Through	230	117-0320	1	Cover-End
90	117-0317	1	Rotor ASM	240	98-7722	1	Bushing-Insulation
100	98-7711	1	Cover-Bearing	250	98-7730	2	Nut
110	107-0138	1	Bearing-Ball	260	98-7732	1	Nut
120	117-0318	1	Frame-End	270	120-5841	1	Clamp-Cord
130	117-0322	1	Holder	280	98-7709	1	Collar



## Starter Assembly

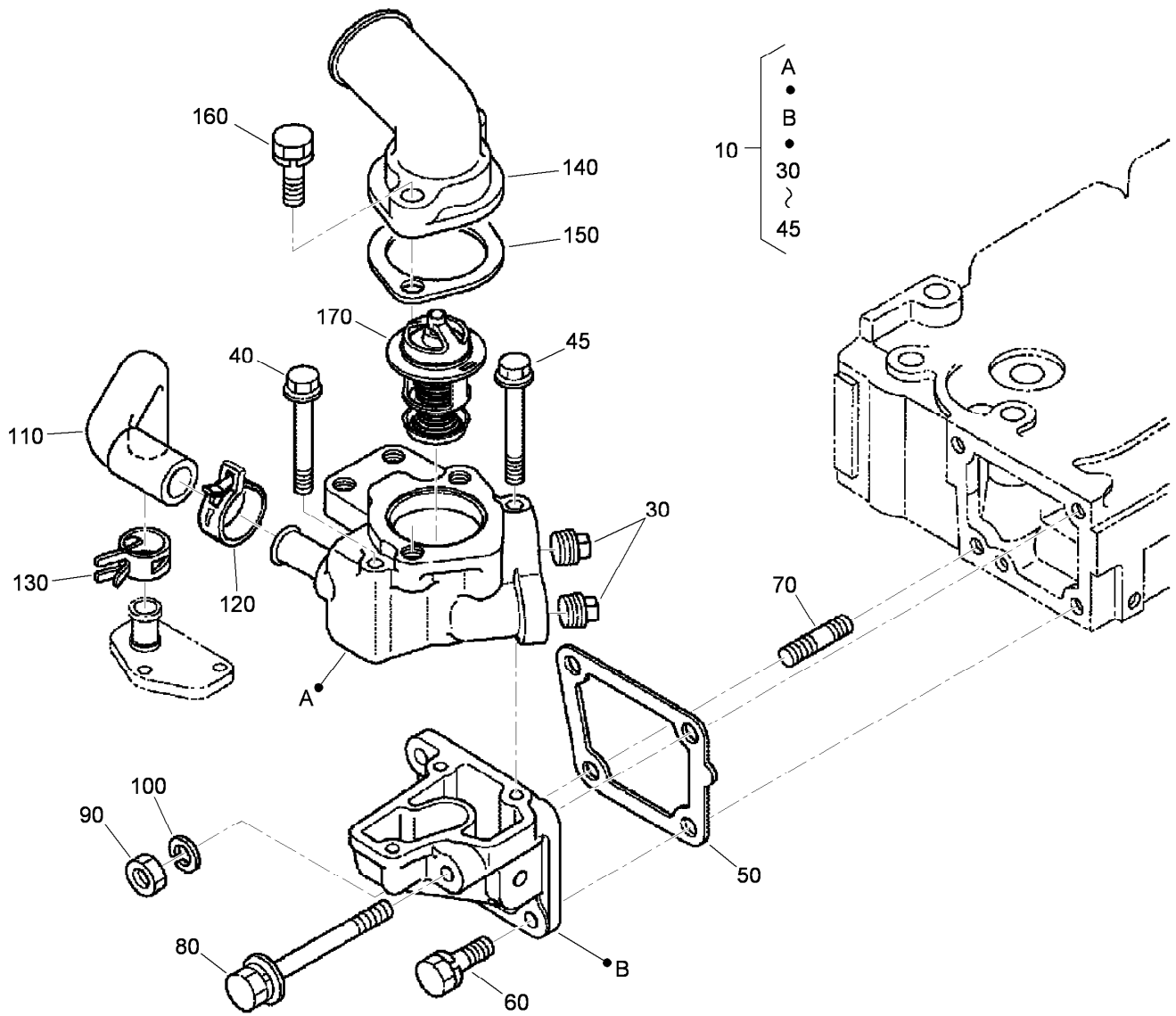
<i>Ref.</i>	<i>Part Number</i>	<i>Qty.</i>	<i>Description</i>
10	115-8603	1	Starter ASM
20	98-7735	1	Stud
30	98-7736	1	Bolt
40	115-8597	1	Nut-Flange
60	98-7739	1	Nut
70	105-2893	1	Washer-Spring



## Starter Components Assembly

<i>Ref.</i>	<i>Part Number</i>	<i>Qty.</i>	<i>Description</i>	<i>Ref.</i>	<i>Part Number</i>	<i>Qty.</i>	<i>Description</i>
10	115-8603	1	Starter ASM	150	115-8612	1	Holder-Brush
20	115-8604	1	Yoke	160	115-8613	4	Spring
40	115-8606	1	Armature	170	115-8615	1	Magnetic Switch ASM
50	115-8607	1	Bearing	180	115-8616	2	Screw
60	98-7744	1	Bearing	190	115-8617	2	Screw
70	115-8608	1	Clutch-Running, Over	200	115-8618	2	Bolt-Thru
80	112-2833	1	Gear-Pinion	210	98-7755	1	Ball
90	98-9707	5	Roller	220	98-7754	1	Spring
100	98-7752	1	Retainer	230	98-7757	2	O-Ring
110	98-7751	1	Gear	240	115-8619	1	Pipe-Drain
120	115-8609	1	Gear	250	98-7760	1	Nut-Hex
130	115-8610	1	Frame-End, Drive	260	99-8376	1	Nut-Hex
140	115-8611	1	Frame-End	270	98-9711	1	Cord-Solenoid, Stop

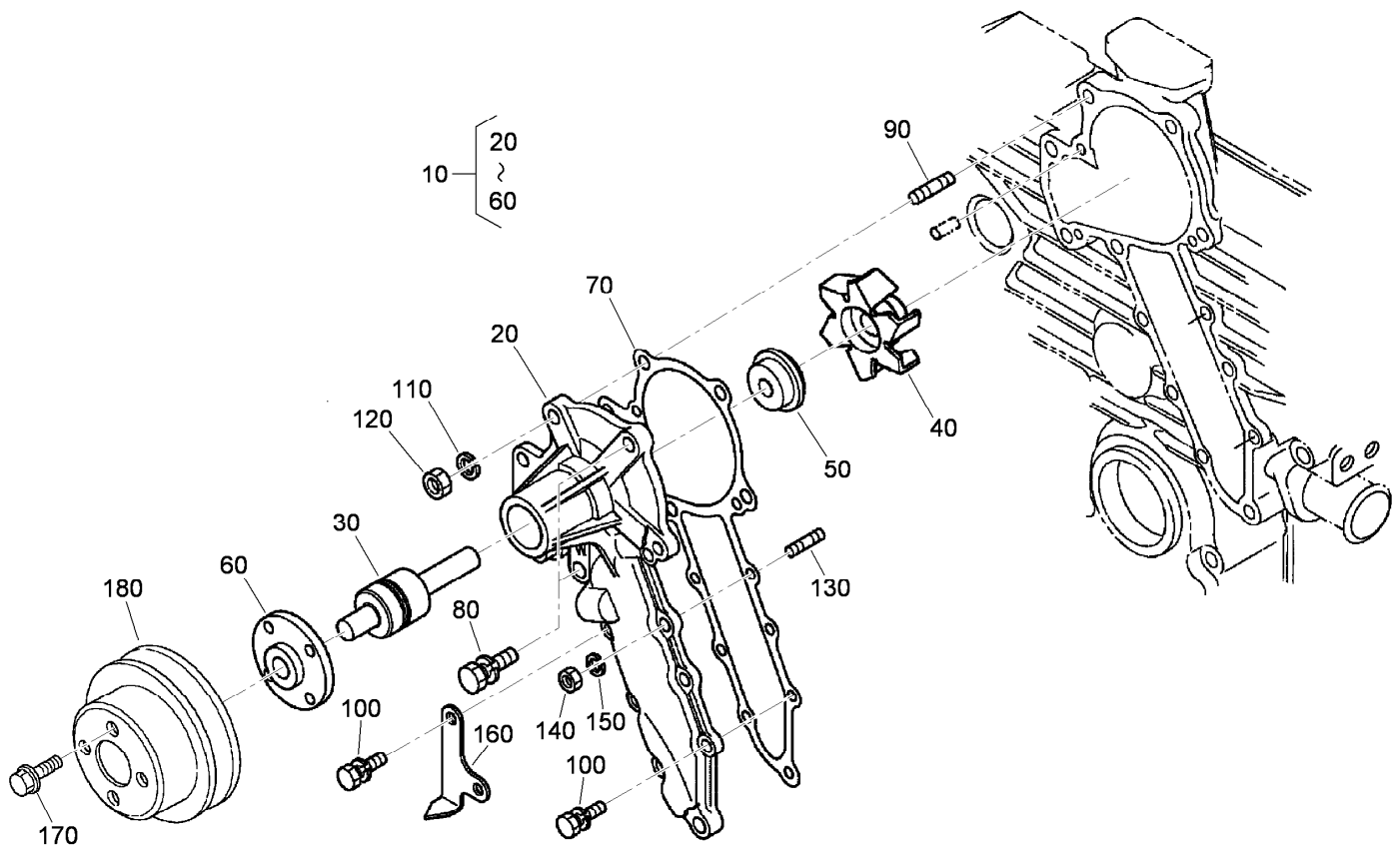




## Water Flange and Thermostat Assembly

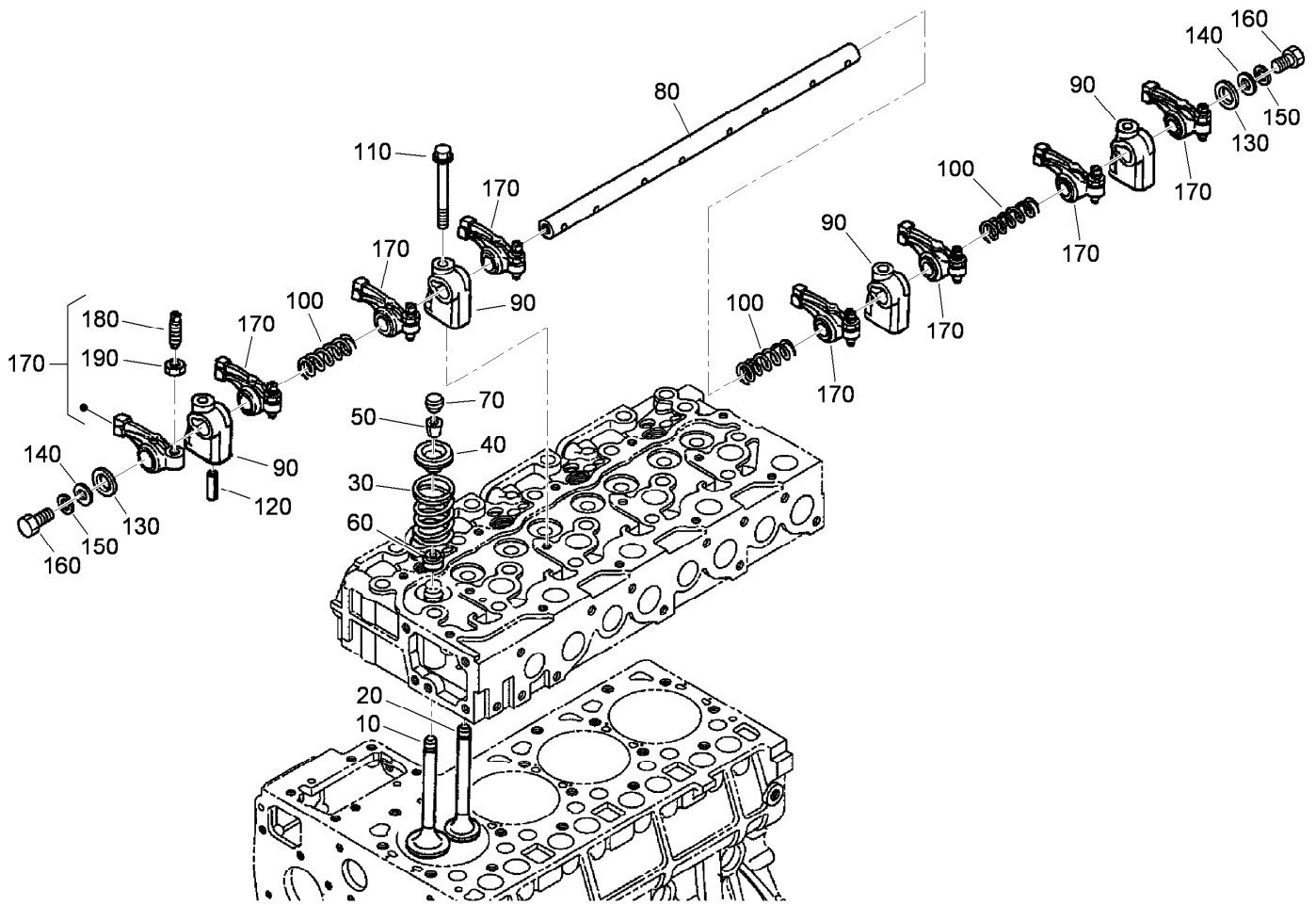
<i>Ref.</i>	<i>Part Number</i>	<i>Qty.</i>	<i>Description</i>
10	105-4578	1	Water Flange ASM
30	110-3821	2	Plug
40	105-2875	2	Bolt-Flange
45	107-0117	1	Bolt-Flange
50	98-7767	1	Gasket-Flange, Water
60	98-9359	2	Bolt
70	100-1558	1	Stud
80	107-0115	1	Bolt
90	98-7534	1	Nut

<i>Ref.</i>	<i>Part Number</i>	<i>Qty.</i>	<i>Description</i>
100	105-2893	1	Washer-Spring
110	115-8620	1	Pipe-Return, Water
120	115-8621	1	Clamp-Hose
130	105-2879	1	Clamp-Hose
140	100-9244	1	Cover-Thermostat
150	105-3748	1	Gasket-Thermostat
160	98-7777	2	Bolt
170	120-5825	1	Thermostat ASM



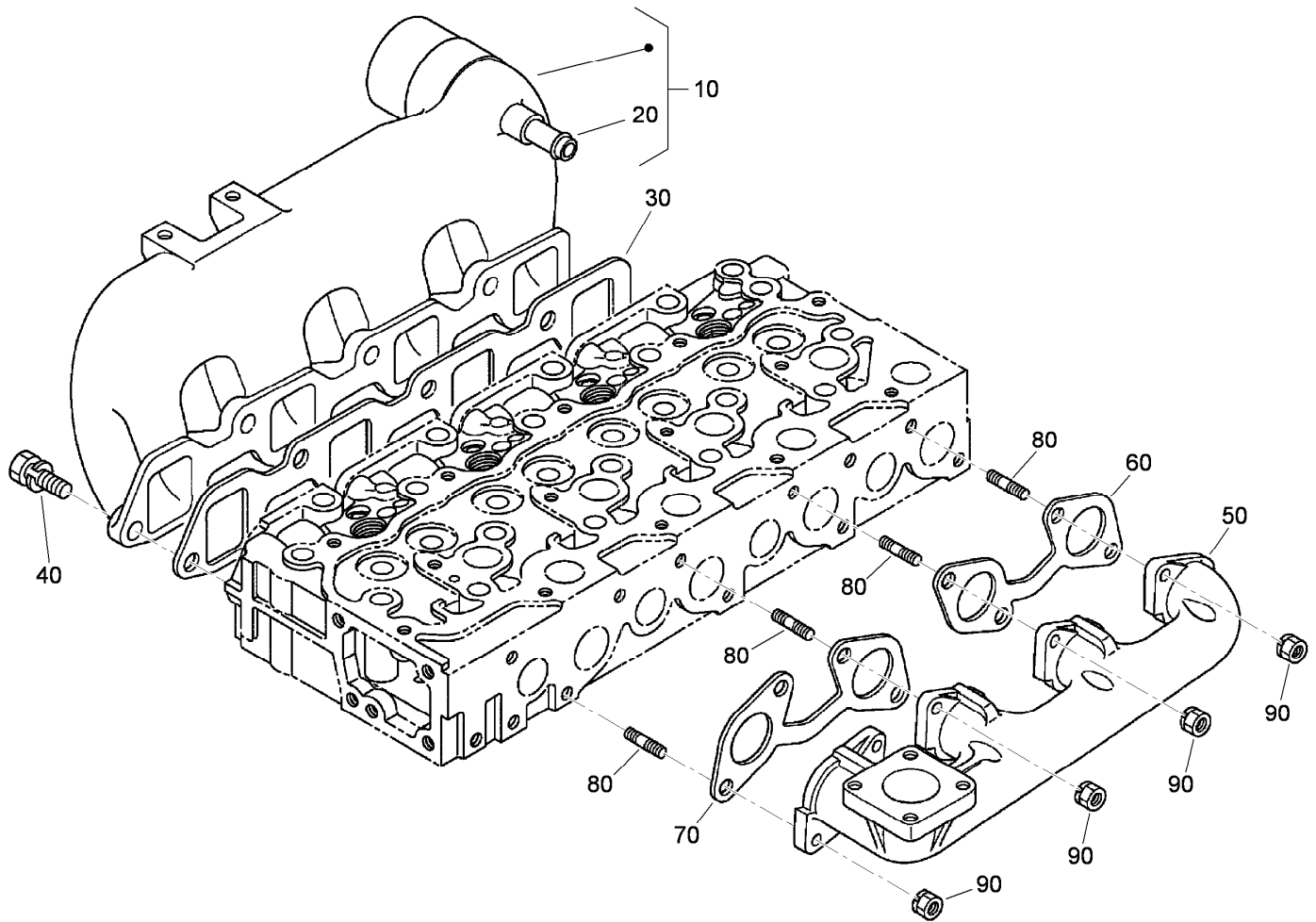
## Water Pump Assembly

<i>Ref.</i>	<i>Part Number</i>	<i>Qty.</i>	<i>Description</i>	<i>Ref.</i>	<i>Part Number</i>	<i>Qty.</i>	<i>Description</i>
10	120-5826	1	Water Pump ASM	100	98-7605	5	Bolt
20	120-5827	1	Body-Pump, Water	110	105-2893	1	Washer-Spring
30	120-5828	1	Bearing	120	98-7534	1	Nut
40	107-0130	1	Impeller-Pump, Water	130	98-7571	1	Stud
50	120-5829	1	Mechanical Seal ASM	140	98-7572	1	Nut
60	108-7089	1	Flange-Shaft, Water Pump	150	98-7699	1	Washer-Spring
70	115-8624	1	Gasket-Pump, Water	160	100-9246	1	Indicator-Timing
80	98-7439	2	Bolt	170	107-4317	4	Bolt-Flange
90	108-7090	1	Stud	180	98-7702	1	Pulley-Fan



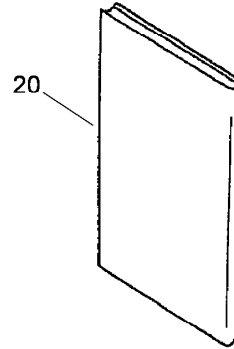
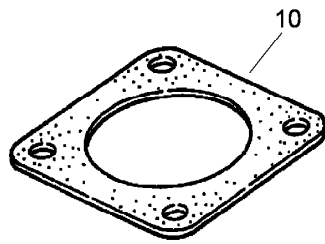
## Valve and Rocker Arm Assembly

Ref.	Part Number	Qty.	Description	Ref.	Part Number	Qty.	Description
10	120-5830	4	Valve-Inlet	110	108-7091	4	Bolt-Flange
20	120-5831	4	Valve-Exhaust	120	98-7805	1	Pin-Spring
30	98-7793	8	Spring-Valve	130	98-7806	2	Washer
40	98-7794	8	Retainer-Spring, Valve	140	98-7660	2	Washer-Plain
50	98-7795	8	Collet-Spring, Valve	150	105-2893	2	Washer-Spring
60	98-7796	8	Seal-Stem, Valve	160	98-7884	2	Bolt
70	98-7797	8	Cap-Valve	170	98-7809	8	Rocker Arm ASM
80	107-0134	1	Shaft-Arm, Rocker	180	98-7810	8	Screw-Adjusting
90	98-7800	4	Bracket-Arm, Rocker	190	98-7811	8	Nut
100	98-7807	3	Spring-Arm, Rocker				



## Inlet and Exhaust Manifold Assembly

<i>Ref.</i>	<i>Part Number</i>	<i>Qty.</i>	<i>Description</i>
10	120-5833	1	Intake Manifold ASM
20	98-7766	1	Pipe-Return, Water
30	120-5834	1	Gasket-Intake Manifold
40	98-7610	7	Bolt
50	120-5835	1	Manifold-Exhaust
60	98-7802	1	Gasket
70	98-7803	1	Gasket
80	100-1558	8	Stud
90	100-9288	8	Nut



## Muffler Gasket and Operator Manual

<i>Ref.</i>	<i>Part Number</i>	<i>Qty.</i>	<i>Description</i>
10	100-9333	1	Gasket-Muffler
20	115-8642	1	Manual-Operator

# Attachments and Accessories

## For 03708 Reelmaster 7000-D 4-Wheel Drive Traction Unit

<b>Product Name</b>	<b>Model/Part</b>
27in Verticutter.....	03184
27in 8-Blade Cutting Unit.....	03710
27in 11-Blade Cutting Unit.....	03711
32in 8-Blade Cutting Unit.....	03712
Premium All Season Hydraulic Fluid (55 Gallon Drum).....	108-1177
Premium All Season Hydraulic Fluid (5 Gallon Pail).....	108-1178
Premium All Purpose Grease (Tube).....	108-1190
Gauge Bar Assembly.....	108-6715
Operator Fan Kit - US Sales Only, 3in ROPS Post.....	110-8804
Premium Synthetic Bio-Degradable Hydraulic Fluid (5 Gallon Pail).....	119-2157
Premium Synthetic Bio-Degradable Hydraulic Fluid (55 Gallon Drum).....	119-2158
Brush and Handle Kit.....	29-9100
MVP Filter Kit.....	30056
Hardtop Sunshade.....	30359
Flow Divider Kit.....	30871
Diagnostic Display Box.....	85-4750

**Notes:**



**Count on it.**