



**Count on it.**

**Parts Catalog**

**Z Master® Professional 6000  
Series Riding Mower**

**with 52in TURBO FORCE® Side Discharge  
Mower**

Model No. 74923—Serial No. 315000001 and Up



# Ordering Replacement Parts

To order replacement parts, please supply the part number, the quantity, and the description of each part desired.

## Understanding Reference Numbers

Each identified part in an illustration has a reference number. The reference number for a part also appears in the parts list, along with other information about the part.

This catalog uses two special reference number formats, one to indicate parts in a service assembly and another to indicate the quantity of a given part in an illustration.

## Service Assembly Reference Numbers

Parts in service assemblies have reference numbers in the form a:b. The a represents the reference number of the entire service assembly and the b represents a sequential number unique to each part within the service assembly.

For example, a wheel assembly might be identified by reference number 6, the tire by 6:1, the valve by 6:2, and the wheel by 6:3. When you order the assembly identified by reference number 6, you receive all parts identified by reference numbers 6:1, 6:2, and 6:3. However, you may also order any part individually. Reference numbers of this type appear in illustration and in parts lists.

## Reference Numbers Indicating Quantity

In an illustration, if a reference number indicates more than one part, the reference number has the form nX y. The n represents the quantity of the part, the X is the multiplication symbol, and the y represents the reference number.

For example, in an illustration, the reference number 2X 37 means that two of the parts identified by reference number 37 are indicated.

# List of Abbreviations

**AR:** as required

**ASM:** assembly

**BBC:** blade brake control

**BHTF:** button head thread forming

**CARR:** carriage

**CCW:** counter clockwise

**CW:** clockwise

**DEG:** degrees

**DPA:** Dual Point Adjustment

**ECM:** electronic control module

**EXT:** external

**FH:** flat head

**GA:** gauge

**HD:** heavy-duty

**HF:** hex flange

**HH:** hex head

**HHF:** hex head flange

**HHFTF:** hex head flange thread forming

**HJ:** hex jam

**HLH:** hex lag head

**HOC:** height-of-cut

**HP:** high pressure

**HSBH:** hex socket button head

**HSFH:** hex socket flat head

**HSH:** hex socket head

**HWH:** hex washer head

**HWHTF:** hex washer head thread forming

**HYD:** hydraulic

**LH:** left hand

**LP:** low pressure

**LPG:** Liquefied Petroleum Gas

**NI:** nylon insert

**NPTF:** national pipe thread fine

**PFH:** phillips flat head

**PPH:** phillips pan head

**PPHTF:** phillips pan head thread forming

**PRH:** phillips round head

**PTH:** phillips truss head

**PTO:** power-take-off

**RH:** right hand

**ROPS:** roll-over protection system

**RRB:** rear roller brush

**SFH:** slotted fillister head

**SHH:** slotted hex head

**SHWH:** slotted hex washer head

**SPH:** slotted pan head

**SQH:** square head

**SRH:** slotted round head

**STD:** standard

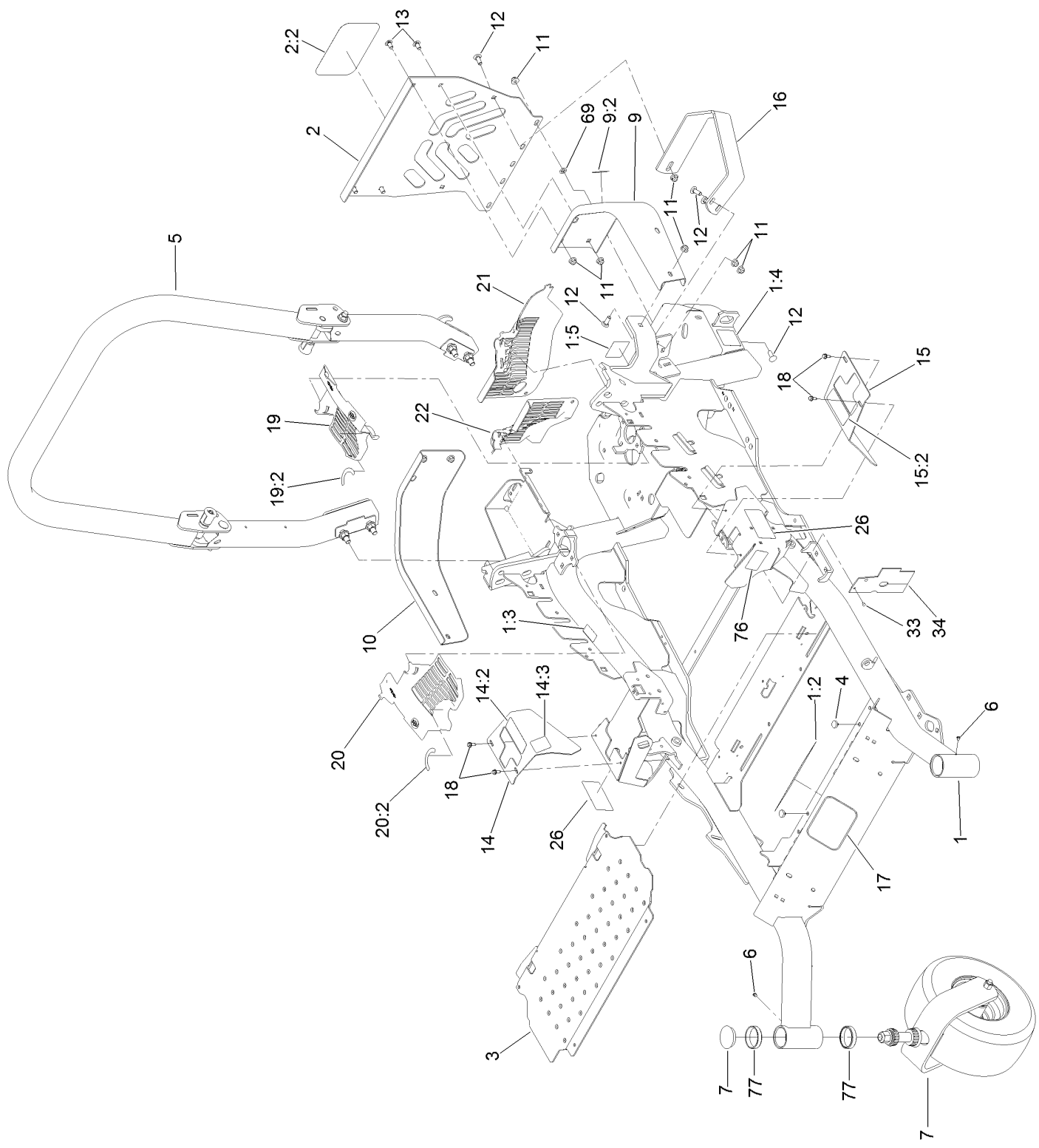
**TAP:** self tapping

**TTH:** torx truss head

# Contents

|   |    |
|---|----|
| Frame and Caster Wheel Assembly .....                   | 4  |
| Roll-Over Protection System Assembly No. 116-0231 ..... | 6  |
| Caster Fork and Wheel Assembly .....                    | 8  |
| Hydraulic Pump, Idler and Belt Assembly .....           | 10 |
| Pump Idler Assembly No. 116-1255 .....                  | 12 |
| LH Hydro Assembly No. 126-1321 .....                    | 14 |
| RH Hydro Assembly No. 126-1322 .....                    | 16 |
| Parking Brake and Wheel Assembly .....                  | 18 |
| Fuel Tank Mounting Assembly .....                       | 20 |
| Fuel Tank Assembly No. 116-3979 .....                   | 22 |
| Seat Mount Assembly .....                               | 24 |
| Seat Assembly No. 125-3107 .....                        | 26 |
| Motion Control Assembly .....                           | 28 |
| Console and Control Panel Assembly .....                | 30 |
| LH Console Assembly No. 115-7403 .....                  | 32 |
| RH Console Assembly No. 115-7402 .....                  | 34 |
| Electrical System Assembly .....                        | 36 |
| Deck Lift Assembly .....                                | 38 |
| Height-of-Cut Assembly No. 109-7438 .....               | 40 |
| Engine, Muffler and Clutch Assembly .....               | 42 |
| Deck Assembly .....                                     | 44 |
| Deck Decal Assembly No. 112-4190 .....                  | 46 |
| Idler Assembly .....                                    | 48 |
| Spindle Assembly No. 119-8560 .....                     | 50 |
| Rubber Deflector Assembly No. 108-2792 .....            | 52 |
| Attachments and Accessories .....                       | 54 |

# Frame and Caster Wheel Assembly

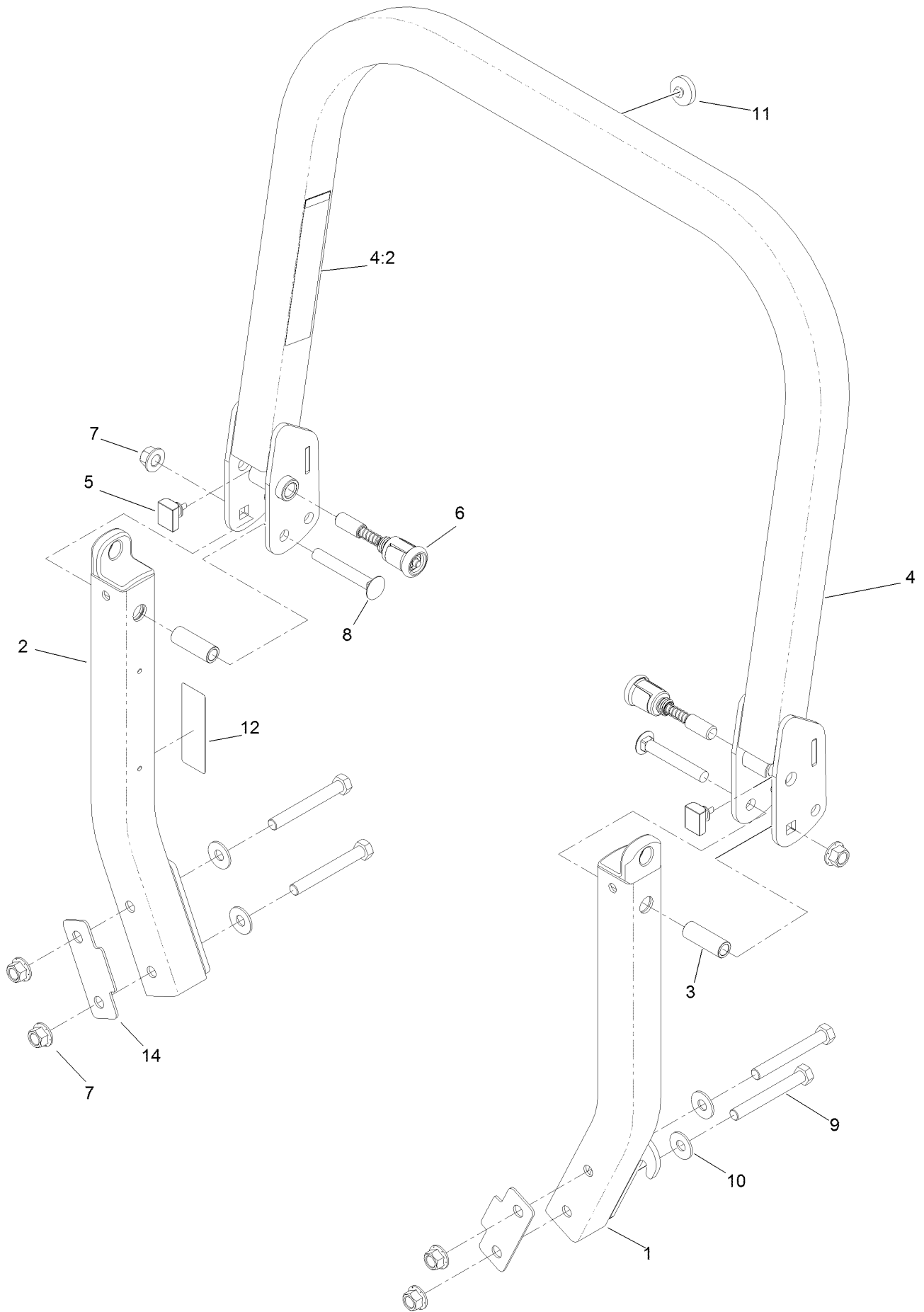


## Frame and Caster Wheel Assembly (continued)

| <i>Ref.</i> | <i>Part Number</i> | <i>Qty.</i> | <i>Description</i>              | <i>Ref.</i> | <i>Part Number</i> | <i>Qty.</i> | <i>Description</i>             |
|-------------|--------------------|-------------|---------------------------------|-------------|--------------------|-------------|--------------------------------|
| 1           | 116-5900           | 1           | Mainframe ASM                   | 14:2        | 99-8936            | 1           | Decal-Control, Motion          |
| 1:2         | 117-3888           | 1           | Decal-Danger Slope<br>W/ROPS    | 14:3        | 116-5988           | 1           | Decal-Park Brake, Ce           |
| 1:3         | 106-5517           | 2           | Decal-Warning, Hot Surface      | 15          | 116-0580           | 1           | LH Motion Control Cover<br>ASM |
| 1:4         | 106-2655           | 2           | Decal-Hazard, Pinched<br>Finger | 15:2        | 99-8936            | 1           | Decal-Control, Motion          |
| 1:5         | 116-4858           | 1           | Decal-Spark Arrester            | 16          | 126-2067-03        | 1           | Guard-Muffler                  |
| 2           | 115-7410           | 1           | Rear Guard ASM                  | 17          | 68-3640            | 1           | Decal                          |
| 2:2         | 67-7320            | 1           | Decal                           | 18          | 32144-10           | 4           | Screw-HWH                      |
| 3           | 116-8898-01        | 1           | Floorpan                        | 19          | 116-0170           | 1           | LH Hydro Guard ASM             |
| 4           | 1-513658           | 2           | Bumper                          | 19:2        | 116-8726           | 1           | Decal-Oil, Hydro               |
| 5           | 116-0231           | 1           | ROPS ASM                        | 20          | 116-0171           | 1           | RH Hydro Guard ASM             |
| 6           | 1-811010           | 2           | Plug                            | 20:2        | 116-8726           | 1           | Decal-Oil, Hydro               |
| 7           |                    | 2           | Caster Wheel ASM ●              | 21          | 109-9057           | 1           | Guard-Hydro, Rear (LH)         |
| 9           | 116-0180           | 1           | LH Bumper ASM                   | 22          | 109-9058           | 1           | Guard-Hydro, Rear (RH)         |
| 9:2         | 106-5517           | 1           | Decal-Warning, Hot Surface      | 26          | 120-5895           | 2           | Decal                          |
| 10          | 116-0057-03        | 1           | Bumper-RH                       | 33          | 1-803035           | 2           | Rivet-Pop                      |
| 11          | 104-8301           | 11          | Nut-Flange, NI                  | 34          | 116-2362           | 1           | Deflector-Air Flow             |
| 12          | 3231-22            | 7           | Screw-CARR                      | 69          | 107-3154           | 2           | Nut-Push                       |
| 13          | 3231-21            | 3           | Screw-CARR                      | 76          | 117-3864           | 1           | Decal-Fuel Fill, Ce            |
| 14          | 116-5899           | 1           | RH Motion Control Cover<br>ASM  | 77          | 1-543508           | 4           | Cup-Bearing                    |

● Not serviced separately

# Roll-Over Protection System Assembly No. 116-0231



# Roll-Over Protection System Assembly No. 116-0231 (continued)

| <i>Ref.</i> | <i>Part Number</i> | <i>Qty.</i> | <i>Description</i>             | <i>Ref.</i> | <i>Part Number</i> | <i>Qty.</i> | <i>Description</i>       |
|-------------|--------------------|-------------|--------------------------------|-------------|--------------------|-------------|--------------------------|
| 1           |                    | 1           | Leg-ROPS, LH ●                 | 7           | 99-5107            | 6           | Nut-Lock                 |
| 2           |                    | 1           | Leg-ROPS, RH ●                 | 8           | 3233-10            | 2           | Screw-CARR               |
| 3           | 109-6653           | 2           | Spacer                         | 9           | 325-35             | 4           | Screw-HH                 |
| 4           |                    | 1           | Upper ROPS ASM ●               | 10          | 109-9505           | 4           | Washer-Spring            |
| 4:2         | 107-3069           | 1           | Decal-Warning, Folding<br>ROPS | 11          | 109-9233           | 1           | Bumper-Push-In, Rubber   |
| 5           | 109-5337           | 2           | Bumper-ROPS                    | 12          | 117-0346           | 1           | Decal-Caution, Fuel Vent |
| 6           | 116-0104           | 2           | Pin-Spring                     | 14          | 116-0960           | 2           | Spacer                   |

● Not serviced separately

# Caster Fork and Wheel Assembly





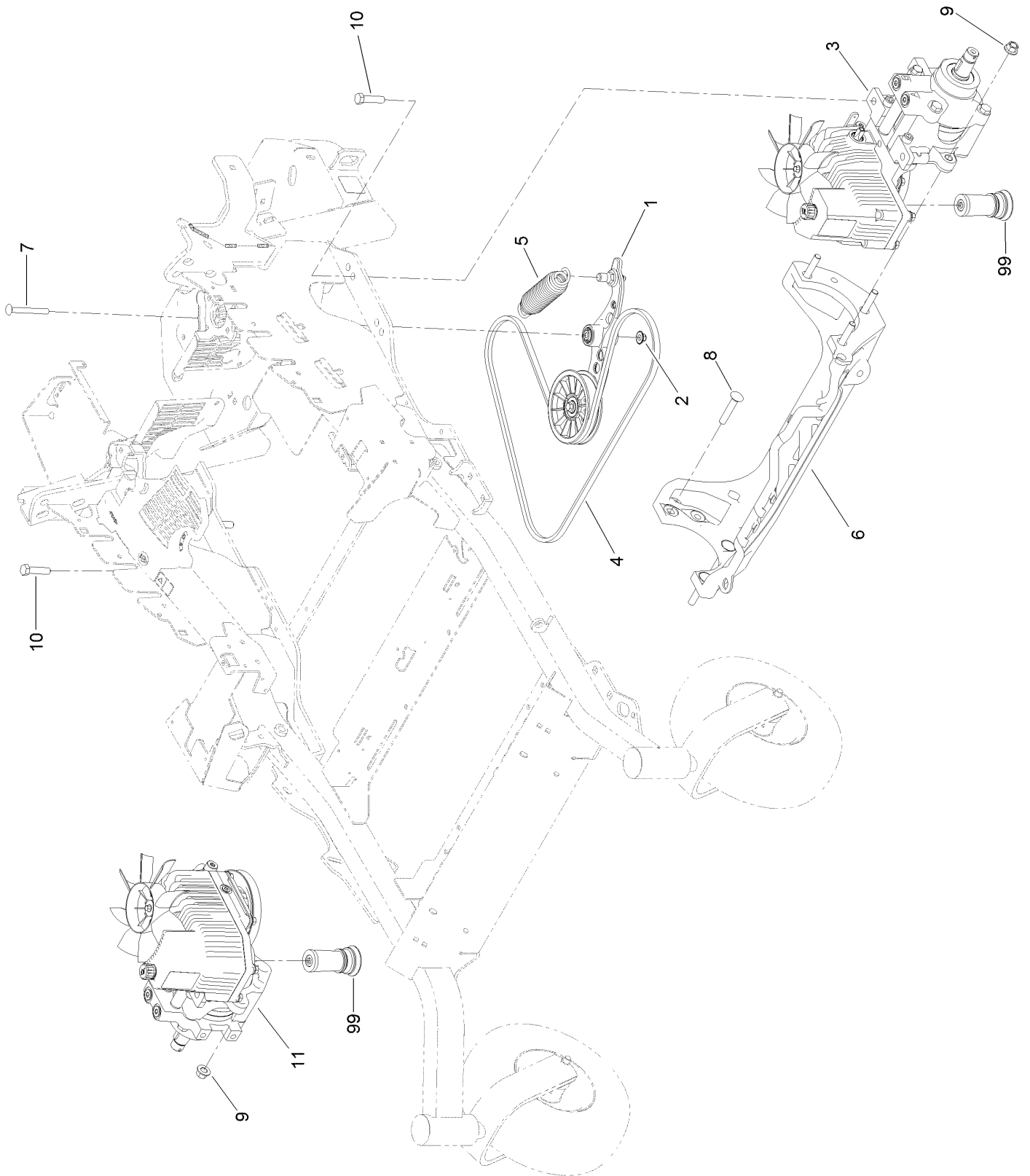
## Caster Fork and Wheel Assembly (continued)

| <i>Ref.</i> | <i>Part Number</i> | <i>Qty.</i> | <i>Description</i>      | <i>Ref.</i> | <i>Part Number</i> | <i>Qty.</i> | <i>Description</i>   |
|-------------|--------------------|-------------|-------------------------|-------------|--------------------|-------------|----------------------|
| 1           | 1-543509           | 2           | Bearing-Roller, Tapered | 5:2:3       | 103-3051           | 2           | Spacer-Nut ■         |
| 2           | 116-5647           | 1           | Seal-Grease             | 5:2:4       | 103-5156           | 1           | Axle-Caster          |
| 3           | 1-633508           | 3           | Washer-Bellville        | 5:2:5       |                    | 1           | Wheel And Tire ASM ● |
| 4           | 116-6707-01        | 1           | Caster                  | 5:2:5:1     | 1-633584           | 1           | Bearing-Cup          |
| 5           | 127-9528           | 1           | Wheel And Axle ASM      | 5:3         | 325-39             | 1           | Screw-HH             |
| 5:1         | 103-2768           | 2           | Guard-Seal              | 5:4         | 3296-23            | 1           | Nut-Lock, NI         |
| 5:2         |                    | 1           | Wheel And Bearing ASM ● | 6           | 103-4882           | 1           | Cap-Grease           |
| 5:2:1       | 1-633585           | 2           | Bearing-Cone, Taper     | 7           | 3296-51            | 1           | Nut-Lock, NI         |
| 5:2:2       | 103-0063           | 2           | Seal-Caster             |             |                    |             |                      |

● Not serviced separately

■ Use Pro-Lock, Nut Type (P/N 1-840022, .5ml tube) on threads.

# Hydraulic Pump, Idler and Belt Assembly

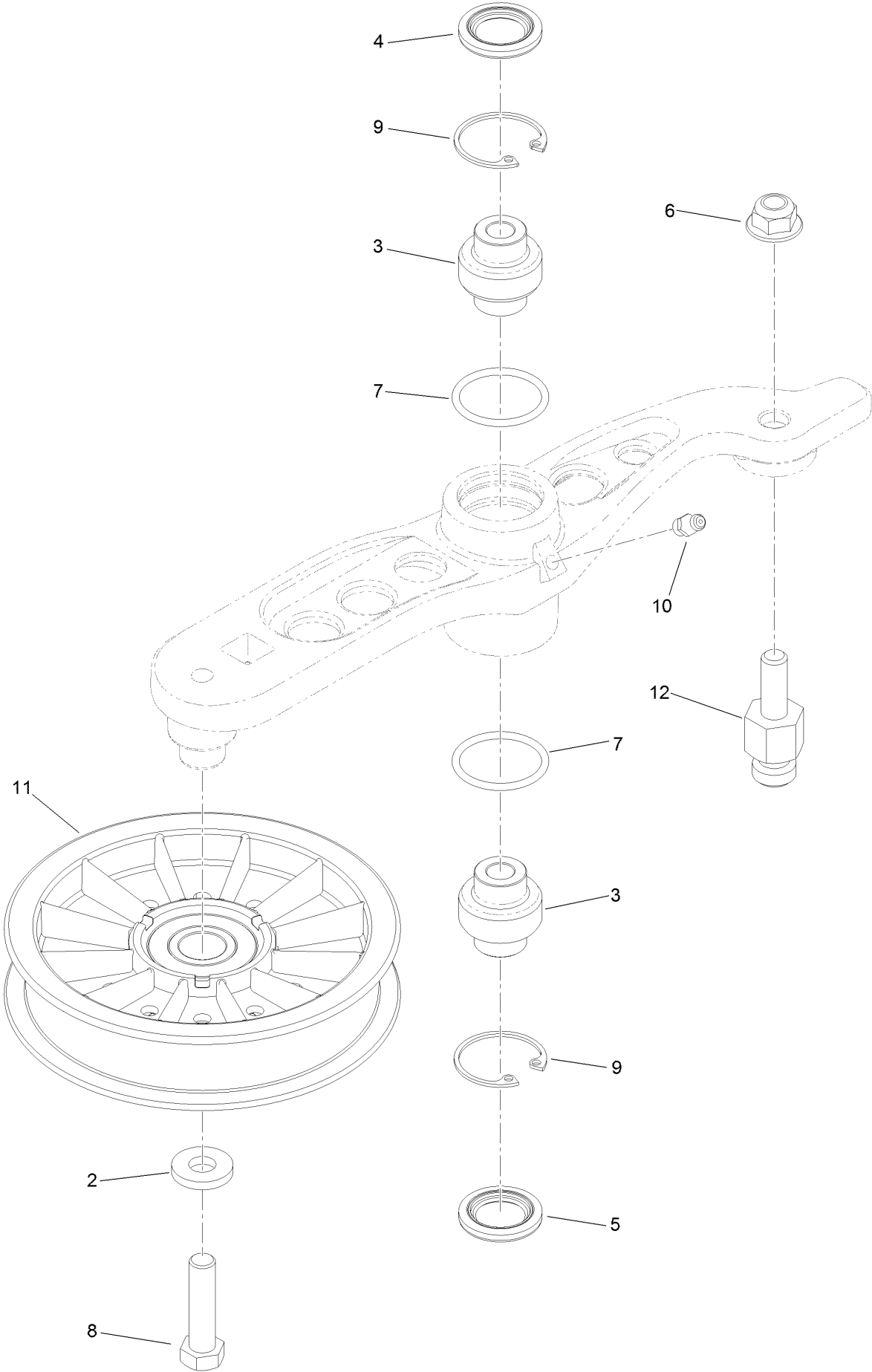


## Hydraulic Pump, Idler and Belt Assembly (continued)

| <i>Ref.</i> | <i>Part Number</i> | <i>Qty.</i> | <i>Description</i>              | <i>Ref.</i> | <i>Part Number</i> | <i>Qty.</i> | <i>Description</i>              |
|-------------|--------------------|-------------|---------------------------------|-------------|--------------------|-------------|---------------------------------|
| 1           | 116-1255           | 1           | Pump Idler ASM                  | 9           | 99-5107            | 6           | Nut-Lock                        |
| 2           | 109-6658           | 1           | Nut-Flange, NI                  | 10          | 325-8              | 4           | Screw-HH                        |
| 3           | 126-1321           | 1           | LH Hydro ASM (12Cc W/<br>Check) | 11          | 126-1322           | 1           | RH Hydro ASM (12Cc W/<br>Check) |
| 4           | 109-3388           | 1           | Belt                            | 99          | 114-4713           | 1           | Hypr-Oil 500 (Quart) ●          |
| 5           | 116-6317           | 1           | Spring-Extension                | 99          | 114-4714           | 1           | Hypr-Oil 500 (Gallon) ●         |
| 6           | 116-7558           | 1           | Cradle-Hydro                    | 99          | 114-4715           | 1           | Hypr-Oil 500-5 (5 Gallon) ●     |
| 7           | 116-1502           | 1           | Bolt-Shoulder, Carriage         | 99          | 117-0390           | 1           | Filter-Hydro                    |
| 8           | 126-0095           | 6           | Screw-CARR                      |             |                    |             |                                 |

● Not illustrated

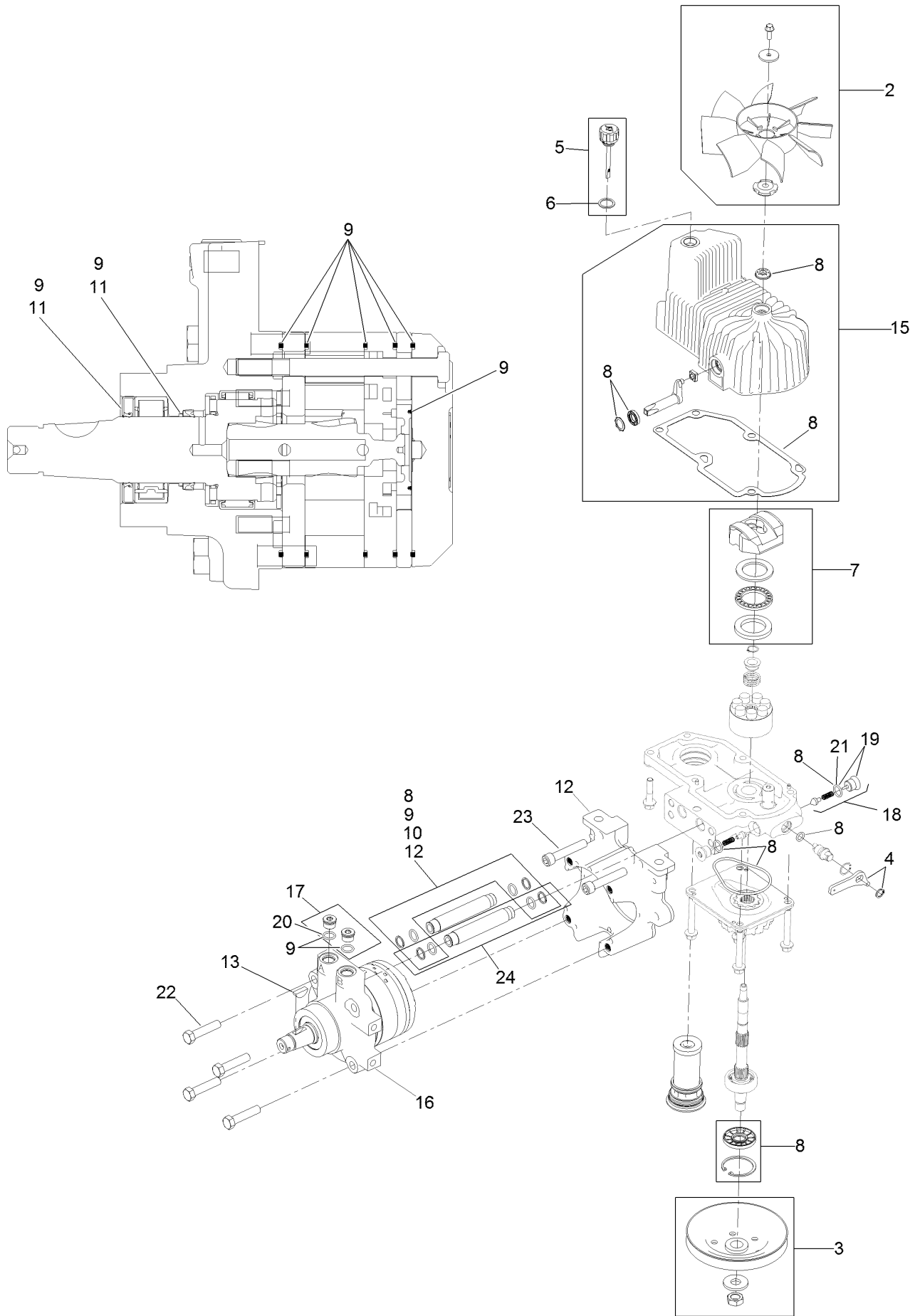
# Pump Idler Assembly No. 116-1255



## Pump Idler Assembly No. 116-1255 (continued)

| <i>Ref.</i> | <i>Part Number</i> | <i>Qty.</i> | <i>Description</i> | <i>Ref.</i> | <i>Part Number</i> | <i>Qty.</i> | <i>Description</i> |
|-------------|--------------------|-------------|--------------------|-------------|--------------------|-------------|--------------------|
| 2           | 43-0940            | 1           | Spacer             | 8           | 323-8              | 1           | Screw-HH           |
| 3           | 103-3504           | 2           | Bearing-Spherical  | 9           | 32120-10           | 2           | Ring-Snap          |
| 4           | 103-3505           | 1           | Seal-Double Lip    | 10          | 302-19             | 1           | Fitting-Grease     |
| 5           | 103-3506           | 1           | Seal-Lip, Single   | 11          | 109-8076           | 1           | Pulley-Idler       |
| 6           | 109-6658           | 1           | Nut-Flange, NI     | 12          | 116-3467           | 1           | Pin-Spring, Anchor |
| 7           | 106-7159           | 2           | O-Ring             |             |                    |             |                    |

# LH Hydro Assembly No. 126-1321

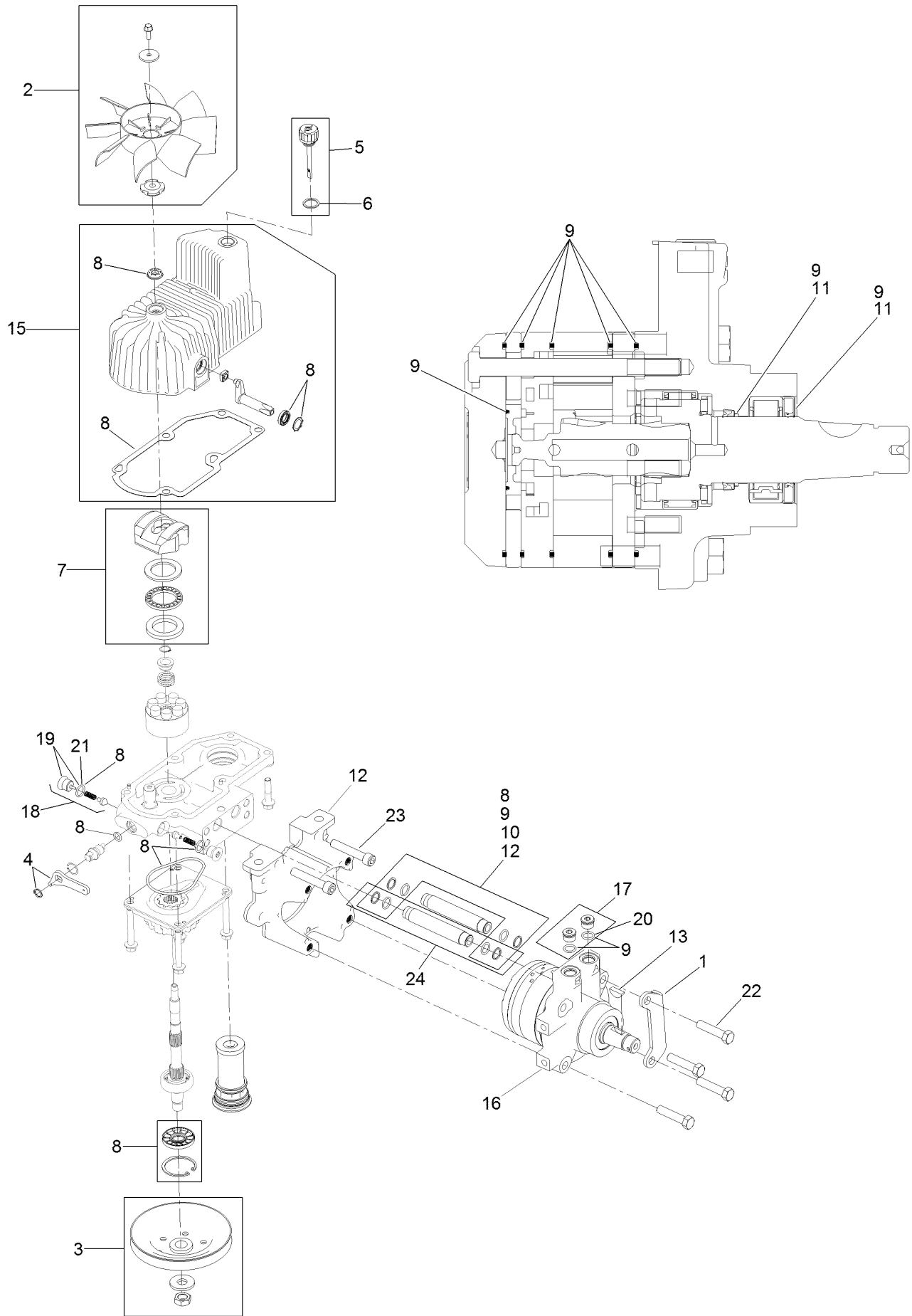


## LH Hydro Assembly No. 126-1321 (continued)

| <i>Ref.</i> | <i>Part Number</i> | <i>Qty.</i> | <i>Description</i>            | <i>Ref.</i> | <i>Part Number</i> | <i>Qty.</i> | <i>Description</i>         |
|-------------|--------------------|-------------|-------------------------------|-------------|--------------------|-------------|----------------------------|
| 2           | 116-0233           | 1           | Fan Kit                       | 13          | 3257-42            | 1           | Key-Woodruff               |
| 3           | 116-0234           | 1           | Pulley Kit                    | 15          | 116-3287           | 1           | Housing-LH                 |
| 4           | 116-0235           | 1           | Handle-Bypass Valve,<br>Hydro | 16          | 116-8915           | 1           | Motor-Hydraulic LH 240Cc   |
| 5           | 116-0236           | 1           | Dipstick-Hydro W/Gasket       | 17          | 116-7901           | 1           | Magnetic Plugs Service Kit |
| 6           | 116-0237           | 1           | Gasket-Dipstick, Hydro        | 18          | 116-1630           | 2           | Check Valve ASM            |
| 7           | 116-1367           | 1           | Swash Block Kit               | 19          | 116-1631           | 2           | Plug-Check (W/O-Ring)      |
| 8           | 116-1368           | 1           | Pump Seal Kit                 | 20          | 76-1900            | 2           | O-Ring                     |
| 9           | 116-1369           | 1           | Motor Seal Kit                | 21          | 116-8662           | 2           | O-Ring-Check Valve         |
| 10          | 116-1370           | 1           | Tube Seal Kit                 | 22          | 116-8974           | 4           | Screw HH                   |
| 11          | 116-1371           | 1           | Output Shaft Seal Kit         | 23          | 116-8975           | 2           | Screw-HSH                  |
| 12          | 116-5469           | 1           | Nose Cup-Uht                  | 24          | 116-9922           | 2           | Hydraulic Tube Kit         |
|             |                    |             |                               | 99          | 116-1373           | 1           | Flow Test Kit ●            |

● Not illustrated

# RH Hydro Assembly No. 126-1322



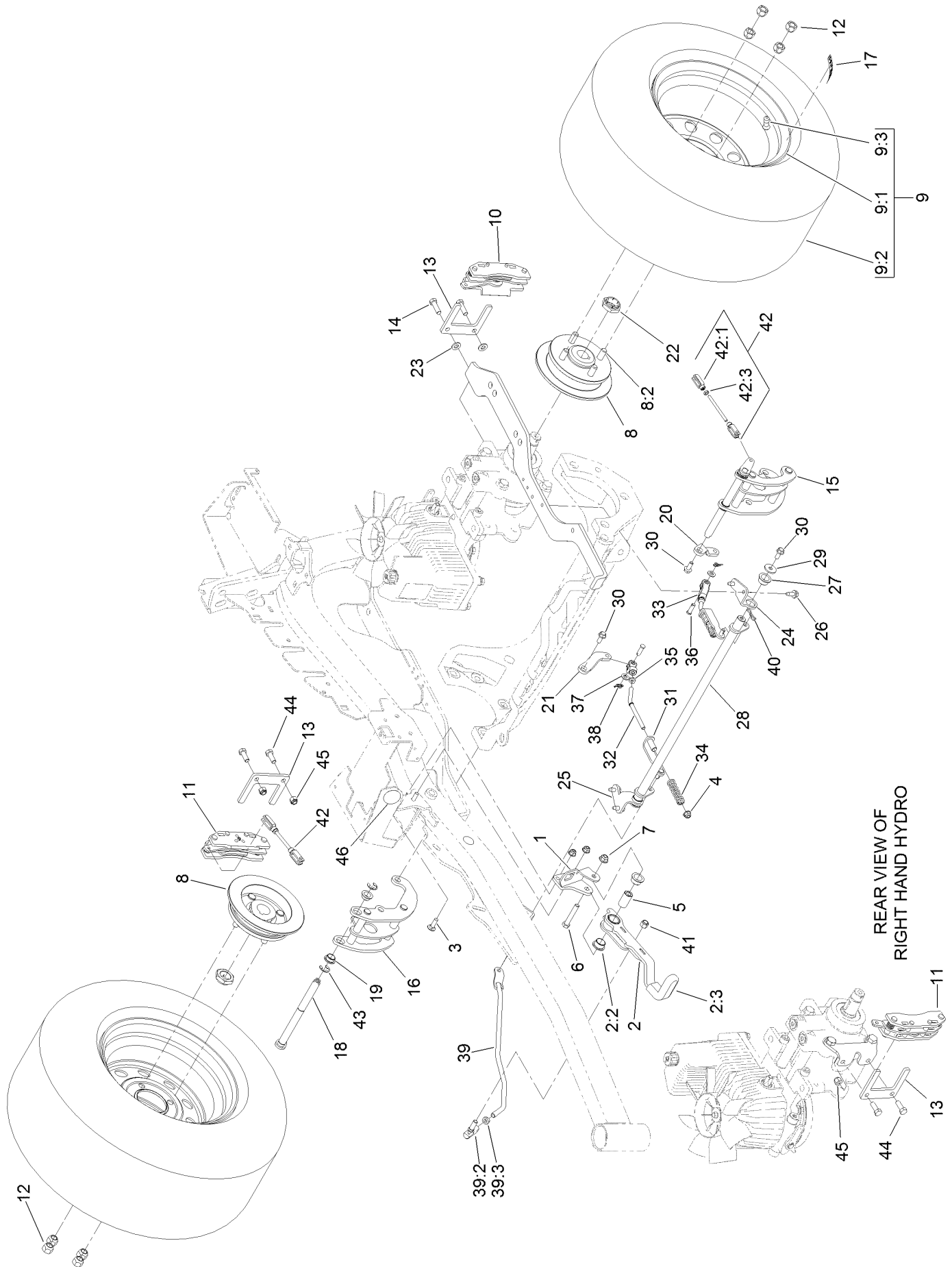


## RH Hydro Assembly No. 126-1322 (continued)

| <i>Ref.</i> | <i>Part Number</i> | <i>Qty.</i> | <i>Description</i>            | <i>Ref.</i> | <i>Part Number</i> | <i>Qty.</i> | <i>Description</i>         |
|-------------|--------------------|-------------|-------------------------------|-------------|--------------------|-------------|----------------------------|
| 1           | 116-9063           | 1           | Mount-Shoe, Horse             | 13          | 3257-42            | 1           | Key-Woodruff               |
| 2           | 116-0233           | 1           | Fan Kit                       | 15          | 116-3288           | 1           | Housing-RH                 |
| 3           | 116-0234           | 1           | Pulley Kit                    | 16          | 116-8916           | 1           | Motor-Hydraulic RH 240Cc   |
| 4           | 116-0235           | 1           | Handle-Bypass Valve,<br>Hydro | 17          | 116-7901           | 1           | Magnetic Plugs Service Kit |
| 5           | 116-0236           | 1           | Dipstick-Hydro W/Gasket       | 18          | 116-1630           | 2           | Check Valve ASM            |
| 6           | 116-0237           | 1           | Gasket-Dipstick, Hydro        | 19          | 116-1631           | 2           | Plug-Check (W/O-Ring)      |
| 7           | 116-1367           | 1           | Swash Block Kit               | 20          | 76-1900            | 2           | O-Ring                     |
| 8           | 116-1368           | 1           | Pump Seal Kit                 | 21          | 116-8662           | 2           | O-Ring-Check Valve         |
| 9           | 116-1369           | 1           | Motor Seal Kit                | 22          | 116-8974           | 4           | Screw HH                   |
| 10          | 116-1370           | 1           | Tube Seal Kit                 | 23          | 116-8975           | 2           | Screw-HSH                  |
| 11          | 116-1371           | 1           | Output Shaft Seal Kit         | 24          | 116-9922           | 2           | Hydraulic Tube Kit         |
| 12          | 116-5469           | 1           | Nose Cup-Uht                  | 99          | 116-1373           | 1           | Flow Test Kit ●            |

● Not illustrated

# Parking Brake and Wheel Assembly

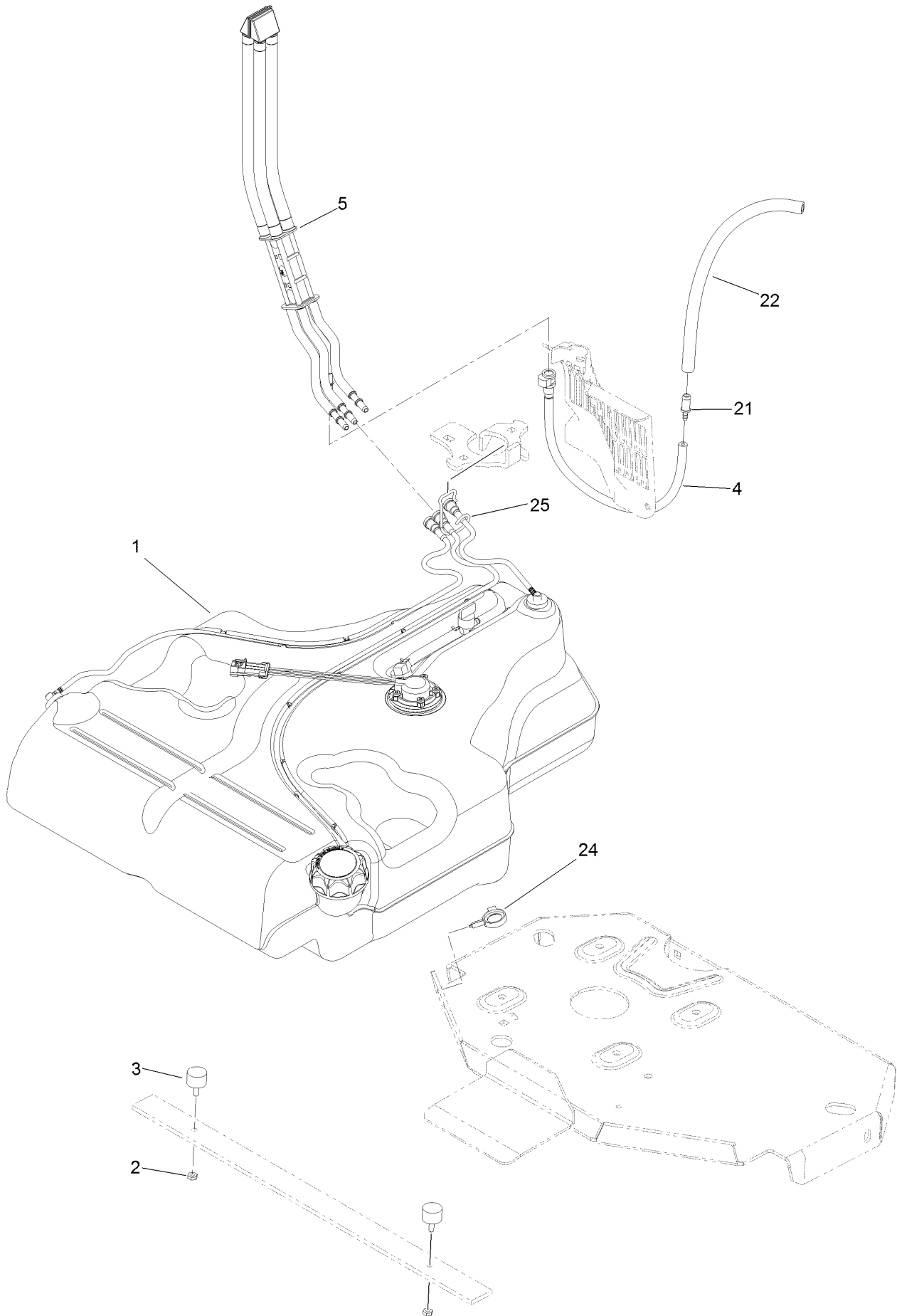


REAR VIEW OF  
RIGHT HAND HYDRO

## Parking Brake and Wheel Assembly (continued)

| <i>Ref.</i> | <i>Part Number</i> | <i>Qty.</i> | <i>Description</i>            | <i>Ref.</i> | <i>Part Number</i> | <i>Qty.</i> | <i>Description</i>  |
|-------------|--------------------|-------------|-------------------------------|-------------|--------------------|-------------|---------------------|
| 1           | 116-9096-01        | 1           | Bracket-Mount                 | 23          | 3256-24            | 2           | Washer-Flat         |
| 2           | 126-0970           | 1           | Brake Lever ASM               | 24          | 116-9681           | 1           | Mount-Pivot, LH     |
| 2:2         | 109-8054           | 2           | Bushing-Flange                | 25          | 116-9682           | 1           | Mount-Pivot, RH     |
| 2:3         | 1-633268           | 1           | Grip-Lever                    | 26          | 32144-70           | 4           | Screw-HWHTF         |
| 3           | 3230-2             | 2           | Bolt-CARR                     | 27          | 109-8054           | 2           | Bushing-Flange      |
| 4           | 104-8300           | 4           | Nut-Flange, NI                | 28          | 116-9080           | 1           | Shaft-Cross         |
| 5           | 116-9117           | 1           | Handle-Pivot, Brake           | 29          | 115-7109           | 2           | Washer-Flat         |
| 6           | 323-11             | 1           | Screw-HH                      | 30          | 98-9940            | 4           | Screw               |
| 7           | 104-8301           | 1           | Nut-Flange, NI                | 31          | 116-9608           | 2           | Bracket-L           |
| 8           | 116-1746           | 2           | Wheel Hub ASM                 | 32          | 116-9086           | 2           | Linkage-Mid         |
| 8:2         | 116-1696           | 4           | Stud-Wheel                    | 33          | 126-3693           | 2           | Yoke-Offset         |
| 9           | 127-9519           | 2           | Wheel And Tire ASM            | 34          | 116-9085           | 2           | Spring-Compression  |
| 9:1         | 127-9515           | 1           | Wheel                         | 35          | 3220-2             | 2           | Nut-Jam             |
| 9:2         | 127-9523           | 1           | Tire                          | 36          | 1-808280           | 2           | Pin-Clevis          |
| 9:3         | 232-27             | 1           | Stem-Valve                    | 37          | 3256-23            | 4           | Washer-Flat         |
| 10          | 109-2889           | 1           | Caliper-Brake                 | 38          | 116-6639           | 2           | Pin-Cotter, Locking |
| 11          | 116-9103           | 1           | Caliper-Brake, RH             | 39          | 116-9102           | 1           | Front Linkage ASM   |
| 12          | 242-50             | 8           | Nut-Lug                       | 39:2        | 94-7572            | 1           | End-Tie Rod, RH     |
| 13          | 109-0958           | 2           | Plate-Mount, Brake            | 39:3        | 3220-3             | 1           | Nut-HJ              |
| 14          | 92-5727            | 2           | Screw-Lock, Patch             | 40          | 119-1415           | 2           | Pin-Cotter, Locking |
| 15          | 116-9061           | 1           | Mount-Bellcrank, LH           | 41          | 3296-6             | 1           | Nut-Lock            |
| 16          | 116-9062           | 1           | Mount-Bellcrank, RH           | 42          | 116-9071           | 2           | Rear Linkage ASM    |
| 17          | 126-2055           | 2           | Decal-Torque Wheel<br>Lug-Hub | 42:1        | 116-9070           | 2           | Yoke                |
| 18          | 116-9066           | 2           | Bellcrank                     | 42:3        | 3220-1             | 1           | Nut-Jam             |
| 19          | 116-9072           | 4           | Bushing                       | 43          | 32120-19           | 4           | E-Ring              |
| 20          | 126-3715           | 1           | Arm-Inner, LH                 | 44          | 323-6              | 2           | Screw-HH            |
| 21          | 126-3716           | 1           | Arm-Inner, RH                 | 45          | 3296-39            | 2           | Nut-Lock, NI        |
| 22          | 116-1399           | 2           | Locknut                       | 46          | 126-4162           | 1           | Decal-Cover         |

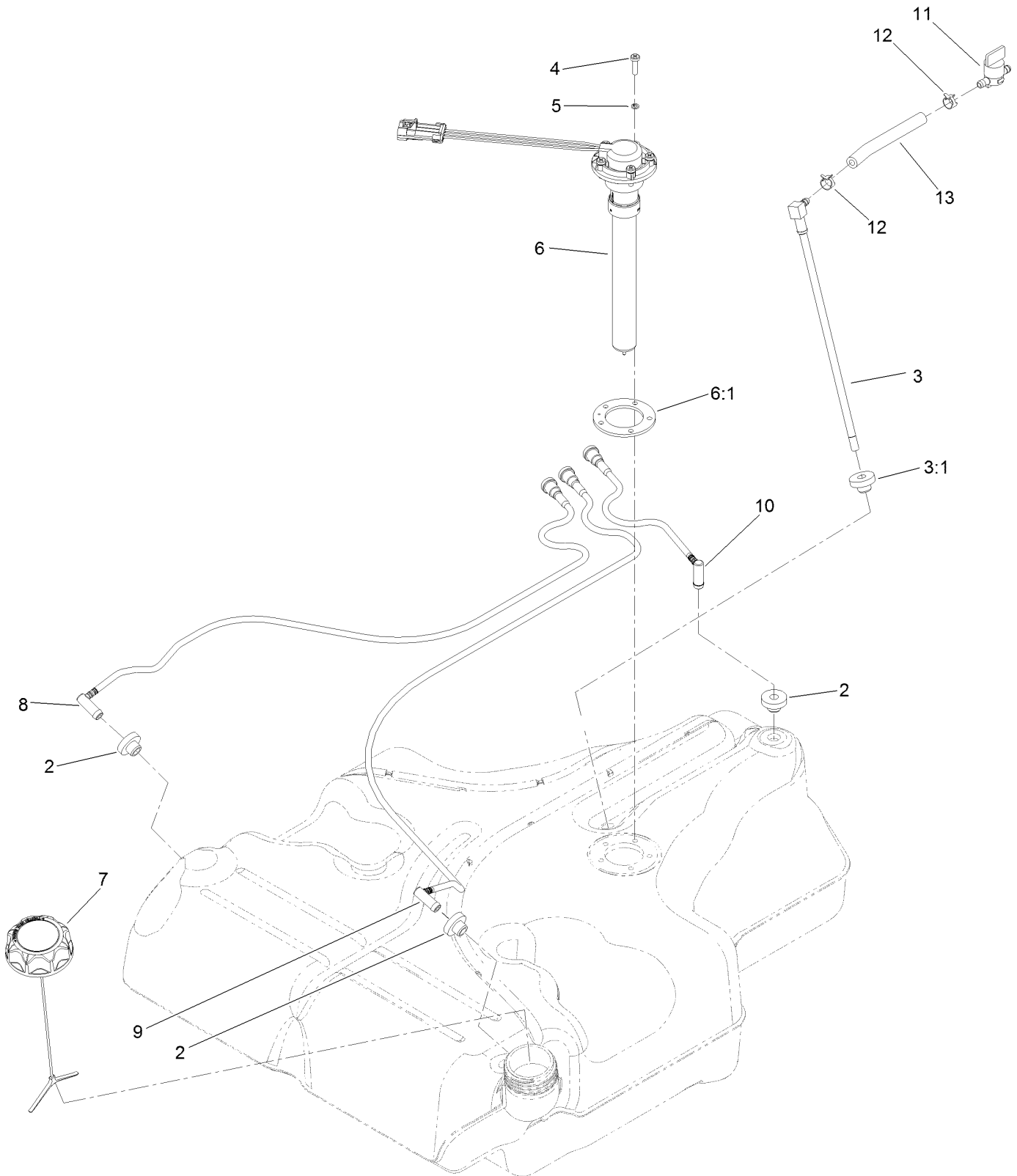
# Fuel Tank Mounting Assembly



## Fuel Tank Mounting Assembly (continued)

| <i>Ref.</i> | <i>Part Number</i> | <i>Qty.</i> | <i>Description</i>      | <i>Ref.</i> | <i>Part Number</i> | <i>Qty.</i> | <i>Description</i>   |
|-------------|--------------------|-------------|-------------------------|-------------|--------------------|-------------|----------------------|
| 1           | 116-3979           | 1           | Fuel Tank ASM           | 21          | 98-2952            | 1           | Fitting-Straight     |
| 2           | 3218-1             | 2           | Nut-Jam                 | 22          | 116-5087           | 1           | Hose-Fuel            |
| 3           | 116-6380           | 2           | Bumper-Rubber (W/ Stud) | 24          | 105-1853           | 1           | Clamp-Hose           |
| 4           | 116-3977           | 1           | Hose ASM                | 25          | 116-6005           | 1           | Retainer-Line, Vapor |
| 5           | 109-9491           | 1           | Fuel Manifold Vent ASM  |             |                    |             |                      |

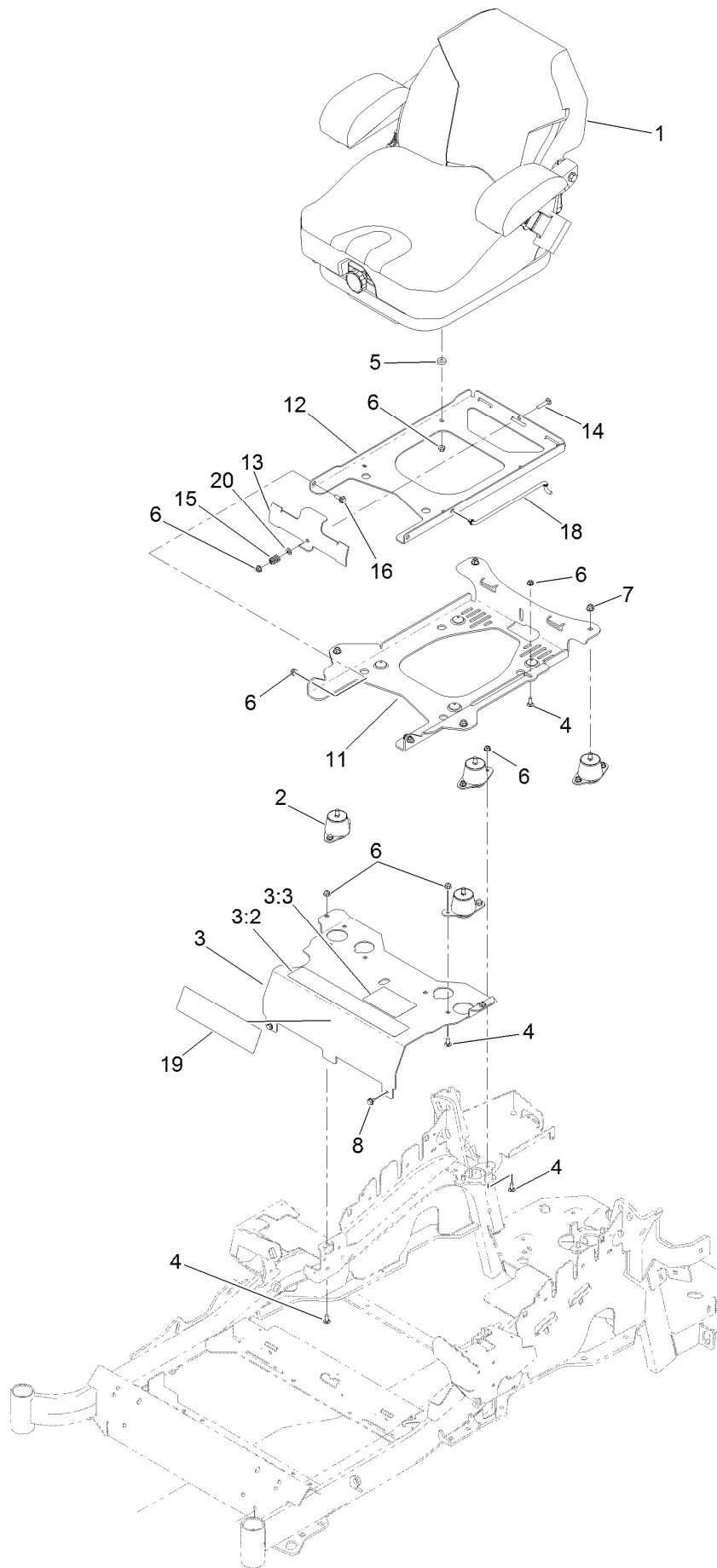
# Fuel Tank Assembly No. 116-3979



## Fuel Tank Assembly No. 116-3979 (continued)

| <i>Ref.</i> | <i>Part Number</i> | <i>Qty.</i> | <i>Description</i>           | <i>Ref.</i> | <i>Part Number</i> | <i>Qty.</i> | <i>Description</i>                |
|-------------|--------------------|-------------|------------------------------|-------------|--------------------|-------------|-----------------------------------|
| 2           | 46-6560            | 4           | Bushing                      | 8           | 116-2460           | 1           | RH Vent Line Kit (With Grommet)   |
| 3           | 116-2459           | 1           | Fuel Line Kit (With Grommet) | 9           | 116-2461           | 1           | LH Vent Line Kit (With Grommet)   |
| 3:1         | 46-6560            | 1           | Bushing                      | 10          | 116-2462           | 1           | Rear Vent Line Kit (With Grommet) |
| 4           | 9107944            | 5           | Screw-Pan                    | 11          | 1-603770           | 1           | Valve-Fuel                        |
| 5           | 3253-17            | 5           | Washer-Lock                  | 12          | 2412-98            | 2           | Clamp-Hose                        |
| 6           | 116-0003           | 1           | Sender-Level, Fuel           | 13          | 109-0650           | 1           | Hose-Fuel                         |
| 6:1         | 109-9620           | 1           | Gasket-Sender, Fuel          |             |                    |             |                                   |
| 7           | 126-1789           | 1           | Cap-Fuel, Ratcheting         |             |                    |             |                                   |

# Seat Mount Assembly

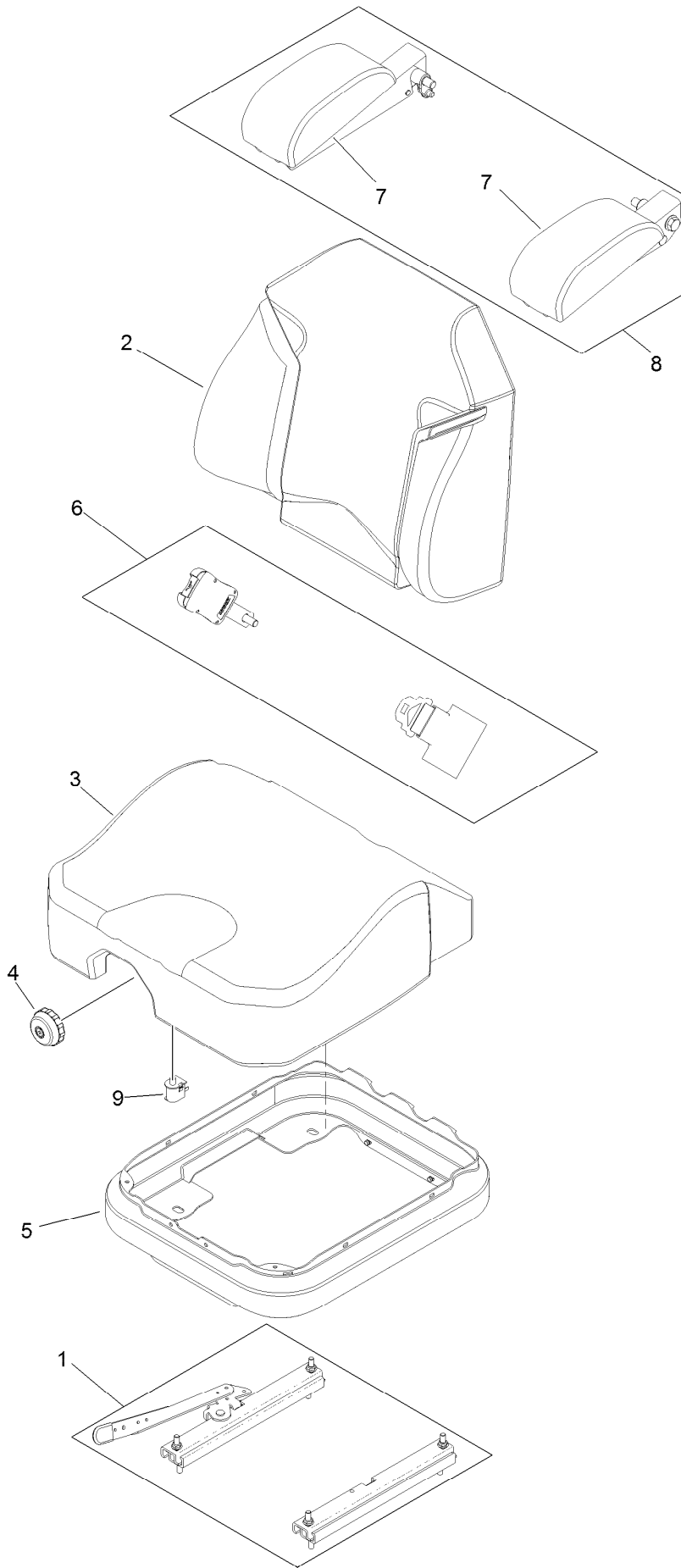




## Seat Mount Assembly (continued)

| <i>Ref.</i> | <i>Part Number</i> | <i>Qty.</i> | <i>Description</i>   | <i>Ref.</i> | <i>Part Number</i> | <i>Qty.</i> | <i>Description</i>       |
|-------------|--------------------|-------------|----------------------|-------------|--------------------|-------------|--------------------------|
| 1           | 125-3107           | 1           | Suspension Seat ASM  | 11          | 116-3860-03        | 1           | Plate-Tilt, Seat Support |
| 2           | 109-9034           | 4           | Isolator-Seat        | 12          | 116-3859-03        | 1           | Plate-Frame, Seat        |
| 3           | 125-9385           | 1           | Seat Mount ASM       | 13          | 109-9881-03        | 1           | Plate-Latch, Seat        |
| 3:2         | 116-8722           | 1           | Decal-Console        | 14          | 3230-4             | 1           | Screw-CARR               |
| 3:3         | 125-9383           | 1           | Decal-Service Aid    | 15          | 107-3017           | 1           | Spring-Compression       |
| 4           | 3230-23            | 11          | Screw-CARR           | 16          | 116-1297           | 2           | Screw-Shoulder           |
| 5           | 26-4840            | 4           | Spacer-Pin, Mounting | 18          | 116-0070           | 1           | Rod-Prop                 |
| 6           | 104-8300           | 18          | Nut-Flange, NI       | 19          | 120-5893           | 1           | Decal                    |
| 7           | 104-8301           | 4           | Nut-Flange, NI       | 20          | 3256-23            | 1           | Washer-Flat              |
| 8           | 9266934            | 2           | Screw                |             |                    |             |                          |

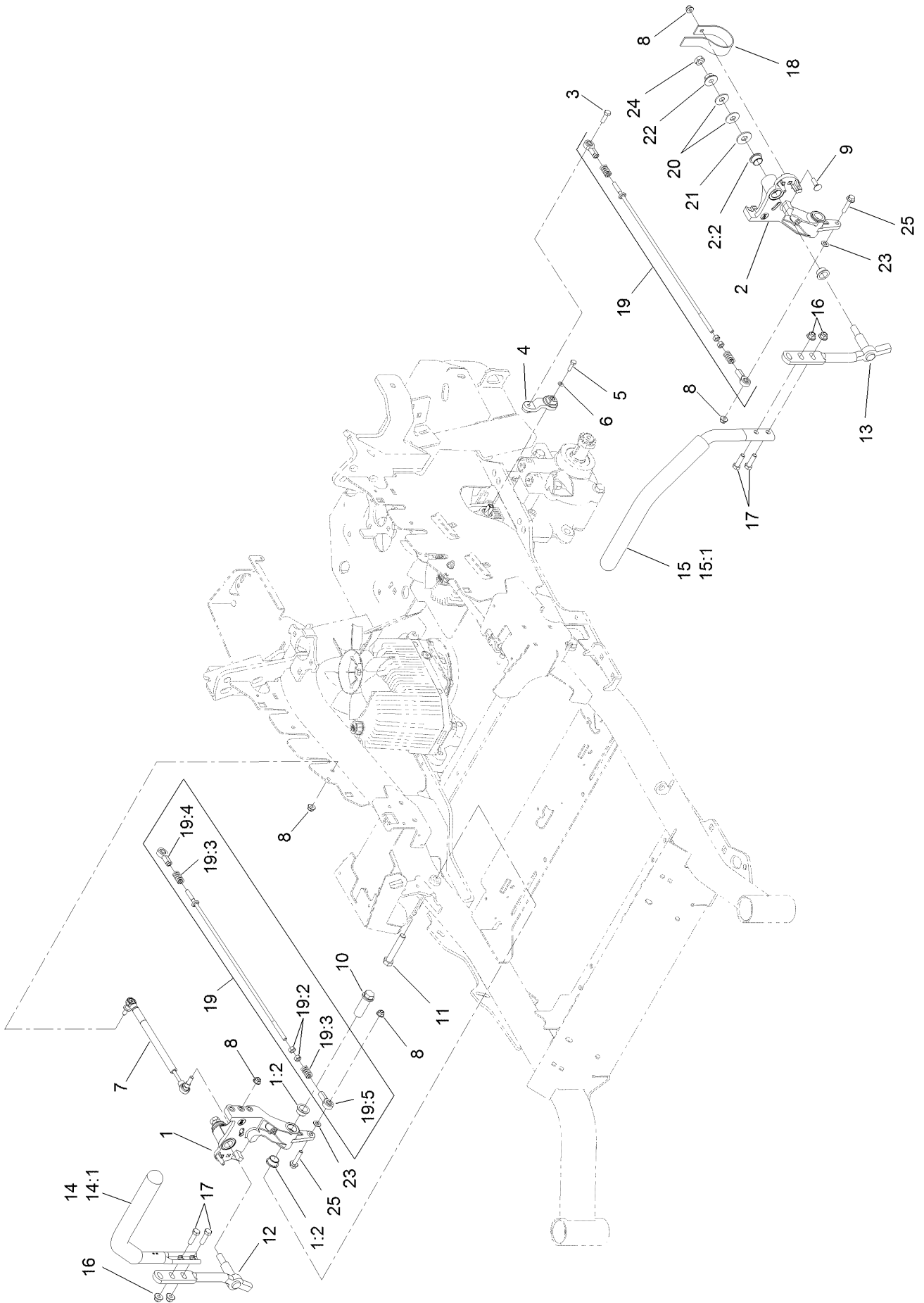
# Seat Assembly No. 125-3107



## Seat Assembly No. 125-3107 (continued)

| <i>Ref.</i> | <i>Part Number</i> | <i>Qty.</i> | <i>Description</i>       | <i>Ref.</i> | <i>Part Number</i> | <i>Qty.</i> | <i>Description</i>    |
|-------------|--------------------|-------------|--------------------------|-------------|--------------------|-------------|-----------------------|
| 1           | 116-8910           | 1           | Seat Track Set           | 6           | 126-2061           | 1           | Seat Belt Service Kit |
| 2           | 125-3112           | 1           | Cover-Back               | 7           | 109-9802           | 1           | Arm Rest Pad Set      |
| 3           | 125-3111           | 1           | Cover-Cushion            | 8           | 109-9803           | 1           | Arm Rest Set          |
| 4           | 116-8911           | 1           | Knob-Adjuster            | 9           | 82-2190            | 1           | Switch-Bail           |
| 5           | 116-5659           | 1           | Cover-Suspension Bellows |             |                    |             |                       |

# Motion Control Assembly

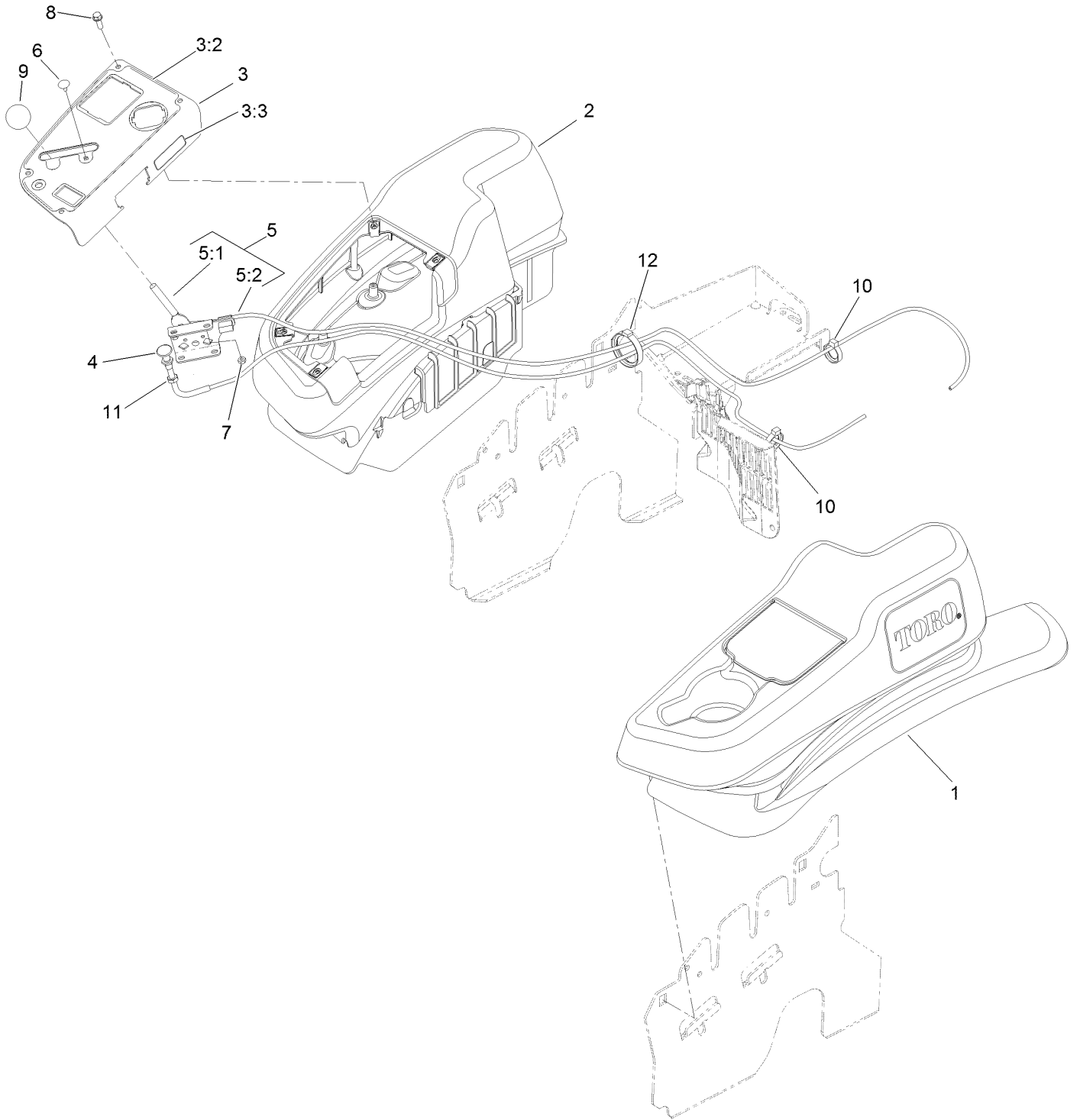


## Motion Control Assembly (continued)

| <i>Ref.</i> | <i>Part Number</i> | <i>Qty.</i> | <i>Description</i>                | <i>Ref.</i> | <i>Part Number</i> | <i>Qty.</i> | <i>Description</i>     |
|-------------|--------------------|-------------|-----------------------------------|-------------|--------------------|-------------|------------------------|
| 1           | 116-0880           | 1           | RH Motion Control And Bushing ASM | 14          | 109-6589           | 1           | RH Steering Handle ASM |
| 1:2         | 109-8054           | 4           | Bushing-Flange                    | 14:1        | 109-5668           | 1           | Grip-Control, Lever    |
| 2           | 116-0881           | 1           | LH Motion Control And Bushing ASM | 15          | 109-6590           | 1           | LH Steering Handle ASM |
| 2:2         | 109-8054           | 4           | Bushing-Flange                    | 15:1        | 109-5668           | 1           | Grip-Control, Lever    |
| 3           | 116-0648           | 2           | Screw-HH, Thread Locking ●        | 16          | 104-8301           | 4           | Nut-Flange, NI         |
| 4           | 109-4581           | 2           | Arm-Control, Pump                 | 17          | 323-7              | 4           | Screw-HH               |
| 5           | 9080046            | 2           | Screw-HH ●                        | 18          | 109-5575           | 2           | Spring-Leaf            |
| 6           | 1-303435           | 2           | Washer-Spring                     | 19          | 109-8107           | 2           | Pump Linkage Rear ASM  |
| 7           | 116-0027           | 2           | Damper-Control, Motion            | 19:2        | 3219-2             | 2           | Nut-Hex                |
| 8           | 104-8300           | 8           | Nut-Flange, NI                    | 19:3        | 1-323245           | 2           | Spring-Compression     |
| 9           | 3230-2             | 2           | Bolt-CARR                         | 19:4        | 1-633152           | 1           | Balljoint-LH           |
| 10          | 109-5891           | 2           | Hub-Threaded                      | 19:5        | 1-543017           | 1           | Balljoint-RH           |
| 11          | 325-12             | 2           | Screw-HH                          | 20          | 109-9505           | 4           | Washer-Spring          |
| 12          | 116-0039           | 1           | Lever-Control Motion, RH          | 21          | 3256-6             | 2           | Washer-Flat            |
| 13          | 116-0040           | 1           | Lever-Control Motion, LH          | 22          | 32128-56           | 2           | Nut-HF                 |
|             |                    |             |                                   | 23          | 3256-23            | 2           | Washer-Flat            |
|             |                    |             |                                   | 24          | 3218-5             | 2           | Nut-Jam                |
|             |                    |             |                                   | 25          | 115-1794           | 2           | Screw-HHF              |

● Use Pro-Lock, Nut Type (P/N 1-840022, .5ml tube) on threads.

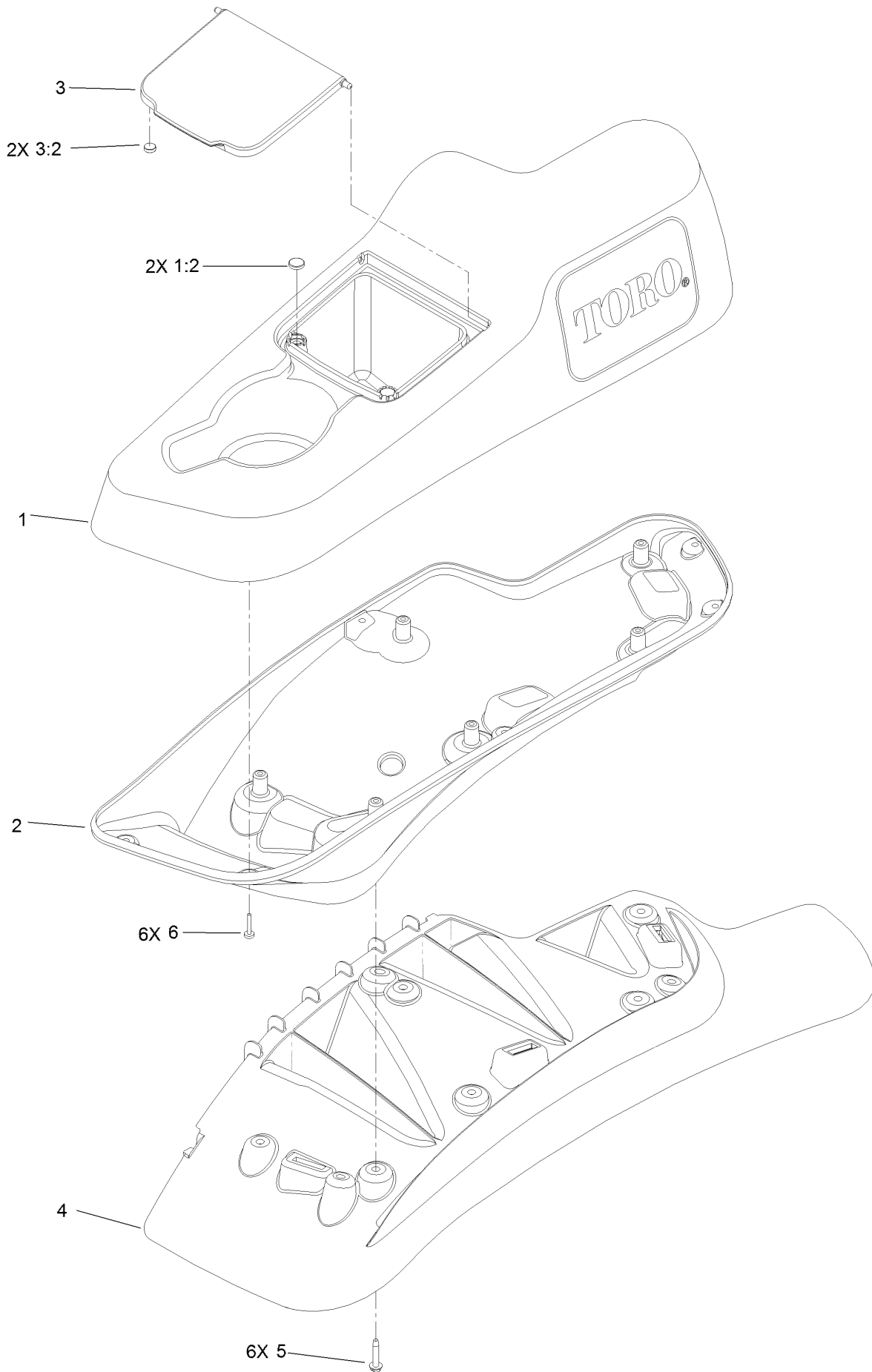
# Console and Control Panel Assembly



## Console and Control Panel Assembly (continued)

| <i>Ref.</i> | <i>Part Number</i> | <i>Qty.</i> | <i>Description</i>              | <i>Ref.</i> | <i>Part Number</i> | <i>Qty.</i> | <i>Description</i> |
|-------------|--------------------|-------------|---------------------------------|-------------|--------------------|-------------|--------------------|
| 1           | 115-7403           | 1           | LH Narrow Fender/Console<br>ASM | 5:1         | 112-2334           | 1           | Lever-Throttle     |
| 2           | 115-7402           | 1           | RH Narrow Fender/Console<br>ASM | 5:2         | 110-5728           | 1           | Cable-Throttle     |
| 3           | 114-9837           | 1           | Control Panel ASM               | 6           | 1-807513           | 2           | Bolt-CARR          |
| 3:2         | 120-5898           | 1           | Decal-Control Panel             | 7           | 3296-2             | 2           | Nut-Lock, NI       |
| 3:3         | 114-4466           | 1           | Decal-Fuses                     | 8           | 32105-15           | 4           | Screw-HWH          |
| 4           | 115-2753           | 1           | Control-Choke                   | 9           | 1-603175           | 1           | Knob-Ball          |
| 5           | 110-5727           | 1           | Throttle Control ASM            | 10          | 105-1853           | 1           | Clamp-Hose         |
|             |                    |             |                                 | 11          | 3220-3             | 1           | Nut-HJ             |
|             |                    |             |                                 | 12          | 117-7817           | 1           | Clamp-Harness      |

# LH Console Assembly No. 115-7403

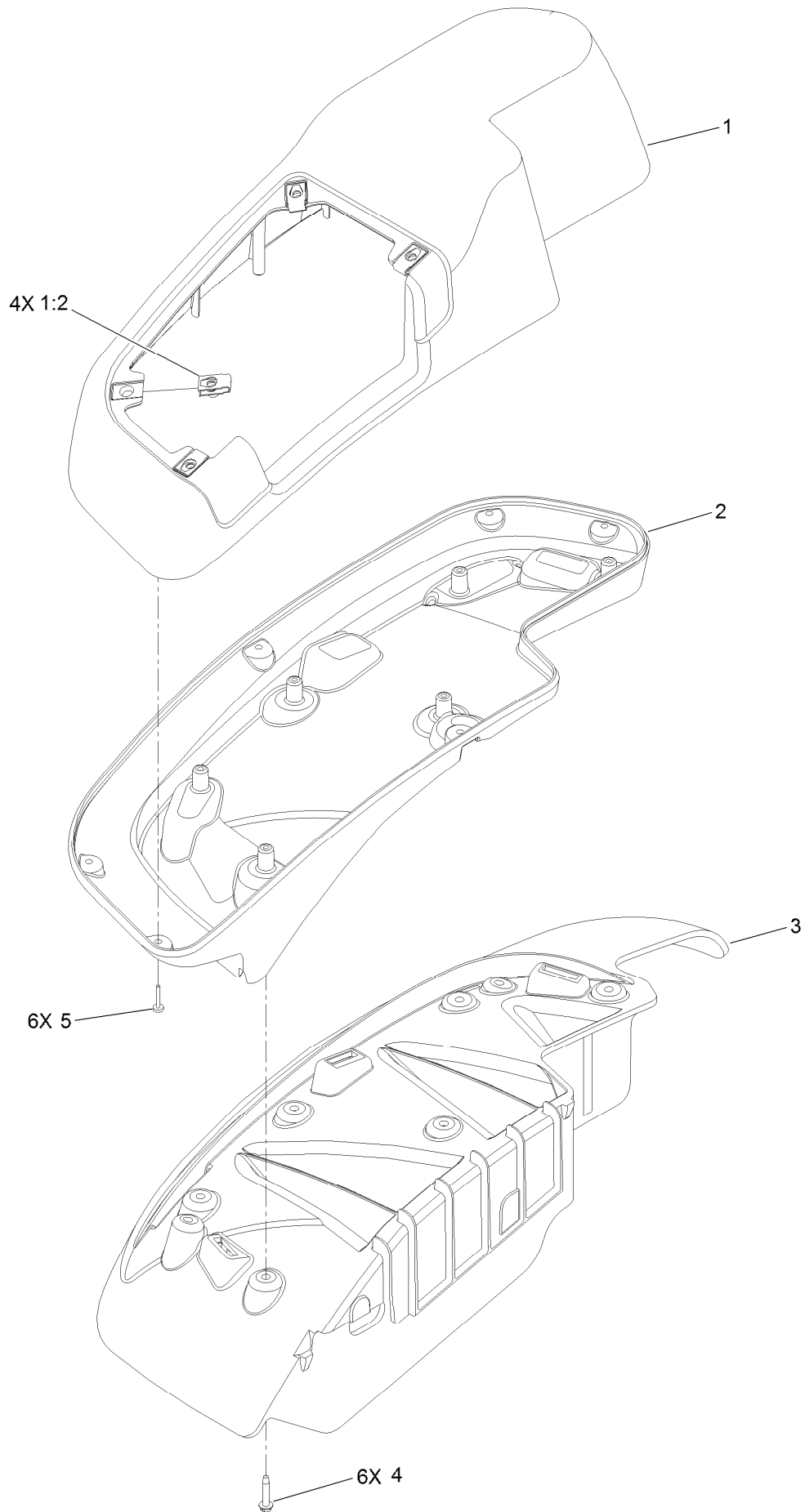




## LH Console Assembly No. 115-7403 (continued)

| <i>Ref.</i> | <i>Part Number</i> | <i>Qty.</i> | <i>Description</i>   | <i>Ref.</i> | <i>Part Number</i> | <i>Qty.</i> | <i>Description</i>   |
|-------------|--------------------|-------------|----------------------|-------------|--------------------|-------------|----------------------|
| 1           | 114-1541           | 1           | LH Console Top ASM   | 3:2         | 114-5896           | 2           | Magnet               |
| 1:2         | 117-0883           | 2           | Puck                 | 4           | 109-9080           | 1           | Fender-LH            |
| 2           | 114-9821           | 1           | LH Lower Console ASM | 5           | 32144-89           | 6           | Screw-Thread Forming |
| 3           | 114-1536           | 1           | Lid ASM              | 6           | 117-0347           | 6           | Screw-PPH            |

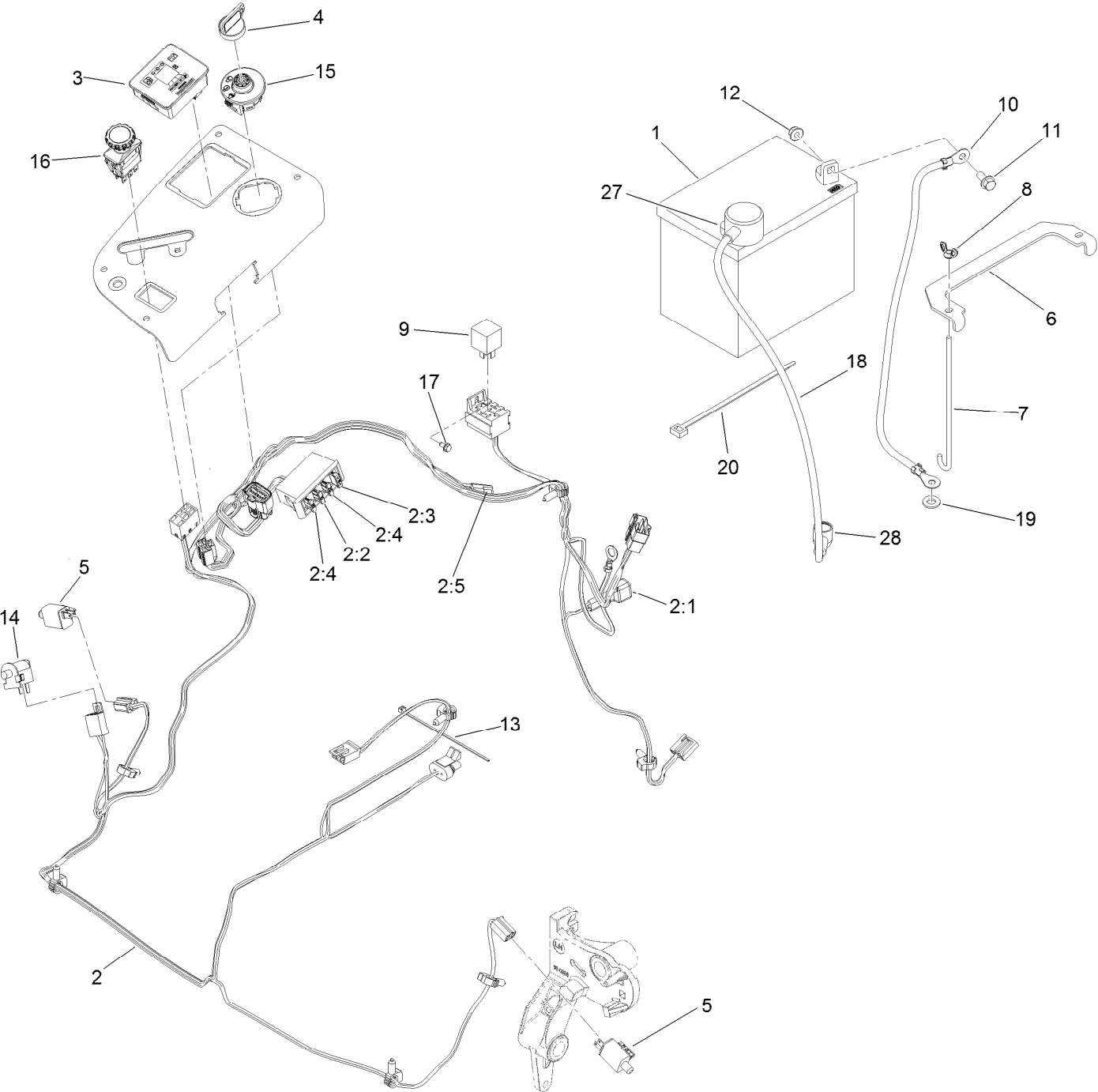
# RH Console Assembly No. 115-7402



## RH Console Assembly No. 115-7402 (continued)

| <i>Ref.</i> | <i>Part Number</i> | <i>Qty.</i> | <i>Description</i> | <i>Ref.</i> | <i>Part Number</i> | <i>Qty.</i> | <i>Description</i>   |
|-------------|--------------------|-------------|--------------------|-------------|--------------------|-------------|----------------------|
| 1           | 114-1542           | 1           | RH Console Top ASM | 3           | 109-9077           | 1           | Fender-Narrow, RH    |
| 1:2         | 107069             | 4           | Clip               | 4           | 32144-89           | 6           | Screw-Thread Forming |
| 2           | 114-9823           | 1           | Console-Narrow, RH | 5           | 117-0347           | 6           | Screw-PPH            |

# Electrical System Assembly



## Electrical System Assembly (continued)

| <i>Ref.</i> | <i>Part Number</i> | <i>Qty.</i> | <i>Description</i>        | <i>Ref.</i> | <i>Part Number</i> | <i>Qty.</i> | <i>Description</i>      |
|-------------|--------------------|-------------|---------------------------|-------------|--------------------|-------------|-------------------------|
| 1           | 104-8162           | 1           | Battery-Dry               | 9           | 1-643275           | 1           | Relay                   |
| 1           |                    | 1           | Battery (300 Cca, Wet) ●■ | 10          | 114-1218           | 1           | Cable-Battery, Negative |
| 2           | 116-6009           | 1           | Harness-Wire, Main ▲      | 11          | 3234-5             | 2           | Screw-HHF               |
| 2:1         | 103-3895           | 1           | Diode-Tvs                 | 12          | 104-8300           | 2           | Nut-Flange, NI          |
| 2:2         | 218-578            | 1           | Fuse-Blade, 10 Amp        | 13          | 1-303287           | 3           | Tie-Cable               |
| 2:3         | 109355             | 1           | Fuse-Blade, 15 Amp        | 14          | 82-2190            | 1           | Switch-Bail             |
| 2:4         | 109102             | 2           | Fuse-Blade, 25 Amp        | 15          | 117-2221           | 1           | Switch-Ignition         |
| 2:5         | 116-0053           | 1           | Cap-Plug                  | 16          | 116-0124           | 1           | Switch-PTO, 10A         |
| 3           | 117-3882           | 1           | Fuel/Hour Meter ASM       | 17          | 104-2065           | 1           | Screw-HWH               |
| 4           | 63-8360            | 1           | Key-Ignition              | 18          | 115-3864           | 1           | Cable-Battery, Positive |
| 5           | 110-6765           | 2           | Switch                    | 19          | 3256-24            | 1           | Washer-Flat             |
| 6           | 116-0042-03        | 1           | Strap-Tie Down, Battery   | 20          | 1-303335           | 1           | Tie-Plastic             |
| 7           | 1-633651           | 2           | Bolt-Holddown             | 27          | 109-2407           | 1           | Insulator-Battery       |
| 8           | 1-543792           | 2           | Wingnut                   | 28          | 1-543393           | 1           | Insulator-Solenoid      |

● Obtain locally.

■ Not serviced separately

▲ Use dielectric grease on all unsealed connectors and terminals only. Do not apply in sealed connectors.

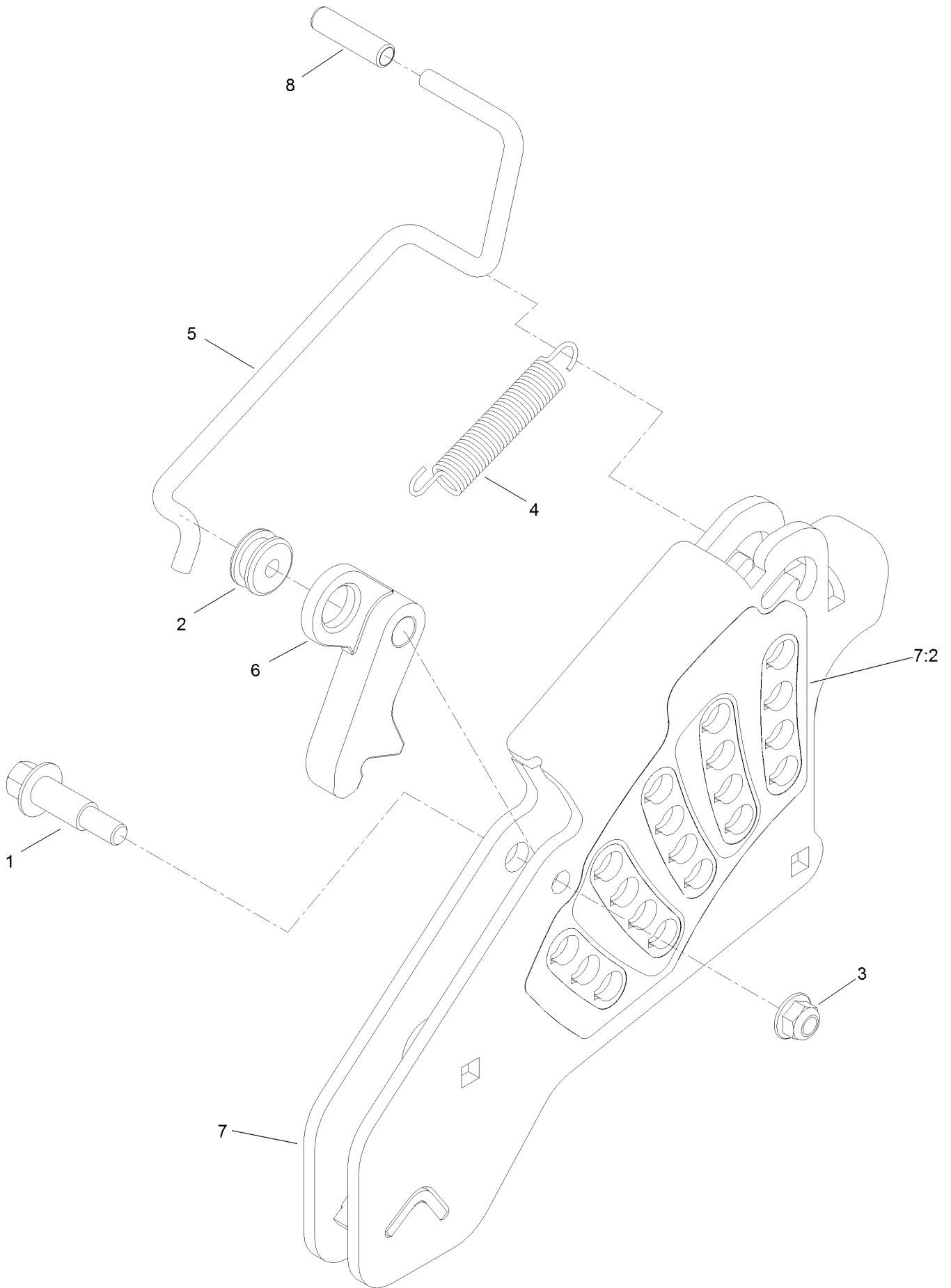
# Deck Lift Assembly



## Deck Lift Assembly (continued)

| <i>Ref.</i> | <i>Part Number</i> | <i>Qty.</i> | <i>Description</i>                    | <i>Ref.</i> | <i>Part Number</i> | <i>Qty.</i> | <i>Description</i>         |
|-------------|--------------------|-------------|---------------------------------------|-------------|--------------------|-------------|----------------------------|
| 1           | 86-1990            | 6           | Washer-Thrust                         | 15          | 109-9410           | 2           | Bearing-Cross Shaft, Front |
| 2           | 99-5107            | 12          | Nut-Lock                              | 16          | 109-9840           | 4           | Screw-Shoulder, HHF        |
| 3           | 104-8301           | 12          | Nut-Flange, NI                        | 17          | 325-12             | 2           | Screw-HH                   |
| 4           | 109-5013           | 1           | Panhard Rod ASM                       | 18          | 325-17             | 1           | Screw-HH                   |
| 4:2         | 109-5009           | 2           | Bushing-Suspension,<br>Rubber         | 19          | 3231-2             | 2           | Bolt-CARR                  |
| 4:3         | 109-5010           | 2           | Spacer                                | 20          | 3231-4             | 2           | Screw-CARR                 |
| 5           | 109-7173           | 2           | Bearing-Cross Shaft, Rear             | 21          | 3231-5             | 4           | Screw-CARR                 |
| 6           | 116-1919-01        | 1           | Lever-Foot                            | 22          | 3233-34            | 3           | Screw-CARR                 |
| 7           | 109-7438           | 1           | HOC ASM                               | 23          | 3296-23            | 1           | Nut-Lock, NI               |
| 8           | 126-2477-03        | 1           | Decklift-Front                        | 24          | 116-1700           | 4           | Bolt-CARR                  |
| 9           | 116-0818-03        | 2           | Support-Cross Shaft, Rear<br>Bearing  | 25          | 116-0559           | 1           | Bolt-TAP                   |
| 10          | 109-7952           | 2           | Deck Strut ASM                        | 26          | 116-2022           | 2           | Screw-HHF, Shoulder        |
| 10:2        | 109-5009           | 2           | Bushing-Suspension,<br>Rubber         | 31          | 92-7674            | 1           | Bolt-Shoulder              |
| 10:3        | 109-5010           | 2           | Spacer                                | 32          | 116-0886           | 1           | Extension Spring ASM       |
| 11          | 116-0797-03        | 1           | Link-Lift, Deck                       | 33          | 109-9065           | 1           | Screw-HH                   |
| 12          | 116-2645-03        | 1           | Lift-Deck, Rear                       | 34          | 32128-37           | 2           | Nut-HF                     |
| 13          | 116-5584           | 1           | Pin-HOC                               | 35          | 3256-28            | 2           | Washer-Flat                |
| 14          | 109-9409           | 2           | Support-Cross Shaft, Front<br>Bearing | 36          | 116-2695           | 1           | Spacer                     |
|             |                    |             |                                       | 37          | 109-8007           | 4           | Link-Adjuster, Deck Lift   |
|             |                    |             |                                       | 38          | 109-7840           | 4           | Adjuster-Lift, Deck        |
|             |                    |             |                                       | 39          | 109-8353           | 4           | Trunnion                   |
|             |                    |             |                                       | 40          | 3218-5             | 4           | Nut-Jam                    |

# Height-of-Cut Assembly No. 109-7438

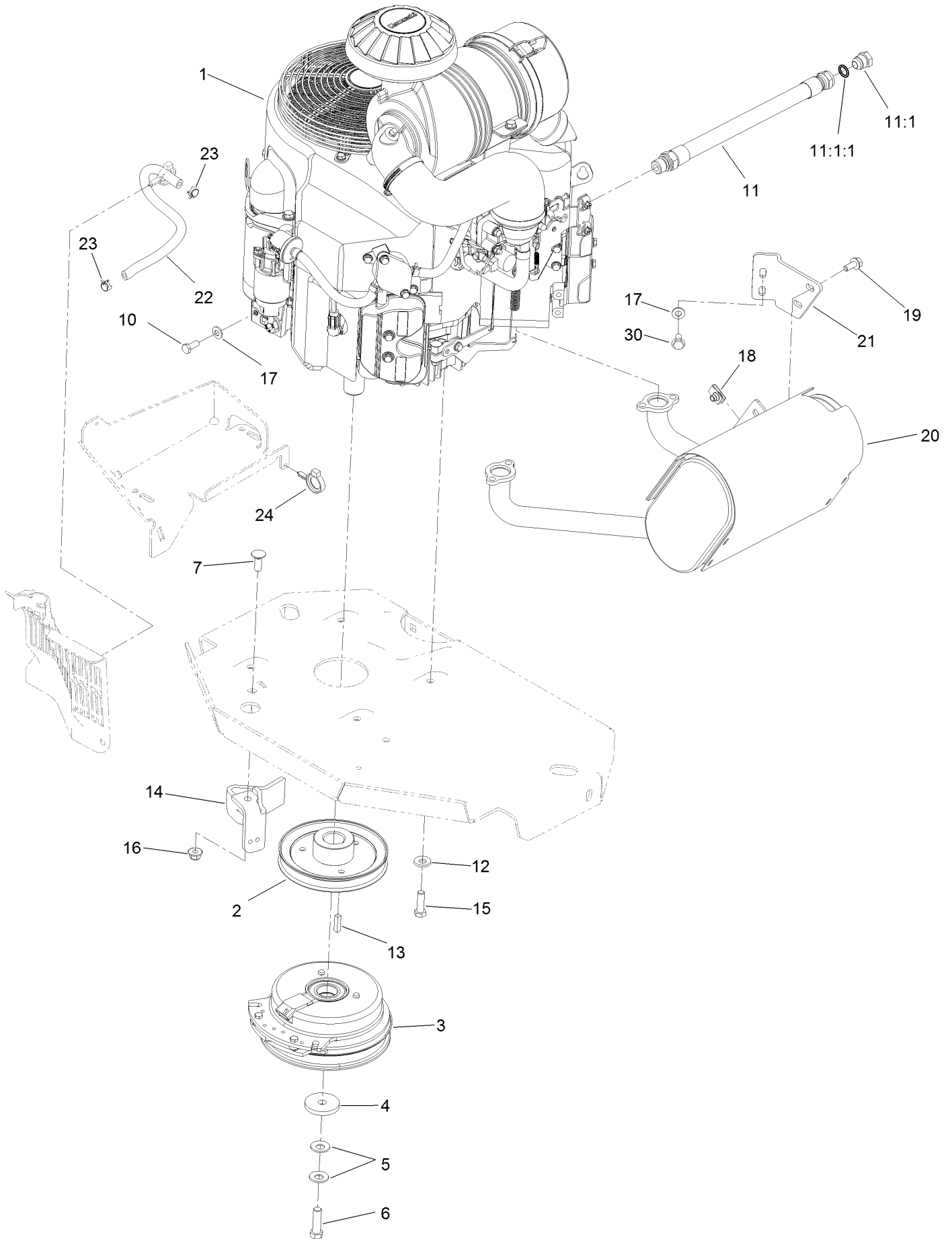




## Height-of-Cut Assembly No. 109-7438 (continued)

| <i>Ref.</i> | <i>Part Number</i> | <i>Qty.</i> | <i>Description</i>  | <i>Ref.</i> | <i>Part Number</i> | <i>Qty.</i> | <i>Description</i>  |
|-------------|--------------------|-------------|---------------------|-------------|--------------------|-------------|---------------------|
| 1           | 62-1330            | 1           | Bolt-Shoulder       | 6           | 116-0118           | 1           | Pawl-Transport, HOC |
| 2           | 109-7130           | 1           | Grommet             | 7           | 109-7335           | 1           | HOC Plate ASM       |
| 3           | 104-8301           | 1           | Nut-Flange, NI      | 7:2         | 126-4398           | 1           | Decal-HOC           |
| 4           | 109-7124           | 1           | Spring-Extension    | 8           | 109-8250           | 1           | Grip-Lever          |
| 5           | 109-7128           | 1           | Rod-Lock, Transport |             |                    |             |                     |

# Engine, Muffler and Clutch Assembly



## Engine, Muffler and Clutch Assembly (continued)

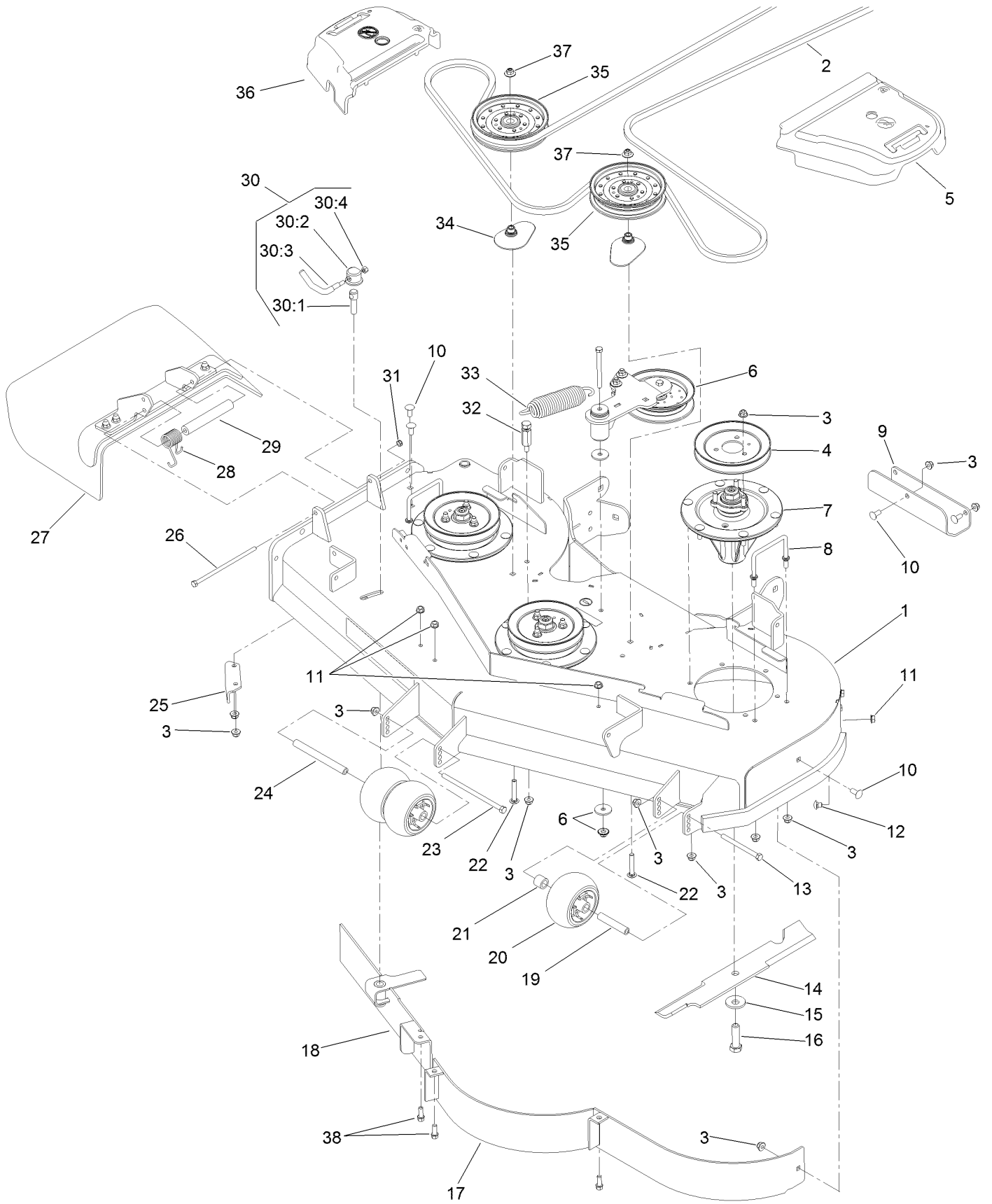
| <i>Ref.</i> | <i>Part Number</i> | <i>Qty.</i> | <i>Description</i>                  | <i>Ref.</i> | <i>Part Number</i> | <i>Qty.</i> | <i>Description</i> |
|-------------|--------------------|-------------|-------------------------------------|-------------|--------------------|-------------|--------------------|
| 1           |                    | 1           | Engine-Kawasaki,<br>Fx751V-S07-R ●■ | 13          | 1-807259           | 1           | Key                |
| 2           | 109-9905           | 1           | Sheave                              | 14          | 116-2612-01        | 1           | Clutch-Anchor      |
| 3           | 116-1620           | 1           | Clutch Kit                          | 15          | 323-7              | 4           | Screw-HH           |
| 4           | 109-6919           | 1           | Washer-Clutch                       | 16          | 104-8301           | 1           | Nut-Flange, NI     |
| 5           | 1-603610           | 2           | Washer-Spring                       | 17          | 1-303334           | 3           | Washer-Spring      |
| 6           | 109-9761           | 1           | Screw-HH ▲                          | 18          | 94-2413            | 2           | U-Nut              |
| 7           | 3231-22            | 1           | Screw-CARR                          | 19          | 3234-5             | 2           | Screw-HHF          |
| 10          | 33114-020          | 1           | Screw-HH                            | 20          | 116-1712           | 1           | Muffler            |
| 11          | 116-4924           | 1           | Engine Oil Drain Hose ASM           | 21          | 116-0203           | 1           | Bracket-Muffler    |
| 11:1        | 353-508            | 1           | Plug-HH                             | 22          | 109-0296           | 1           | Hose-Fuel          |
| 11:1:1      | 237-42             | 1           | O-Ring                              | 23          | 2412-98            | 2           | Clamp-Hose         |
| 12          | 98-5975            | 4           | Washer-Belleville                   | 24          | 105-1853           | 1           | Clamp-Hose         |
|             |                    |             |                                     | 30          | 95-4184            | 2           | Screw-HHF          |

● Not serviced separately

▲ Use Pro-Lock, Nut Type (P/N 1-840022, .5ml tube) on threads.

■ Obtain parts from [www.kawpowerepc.com](http://www.kawpowerepc.com)

# Deck Assembly

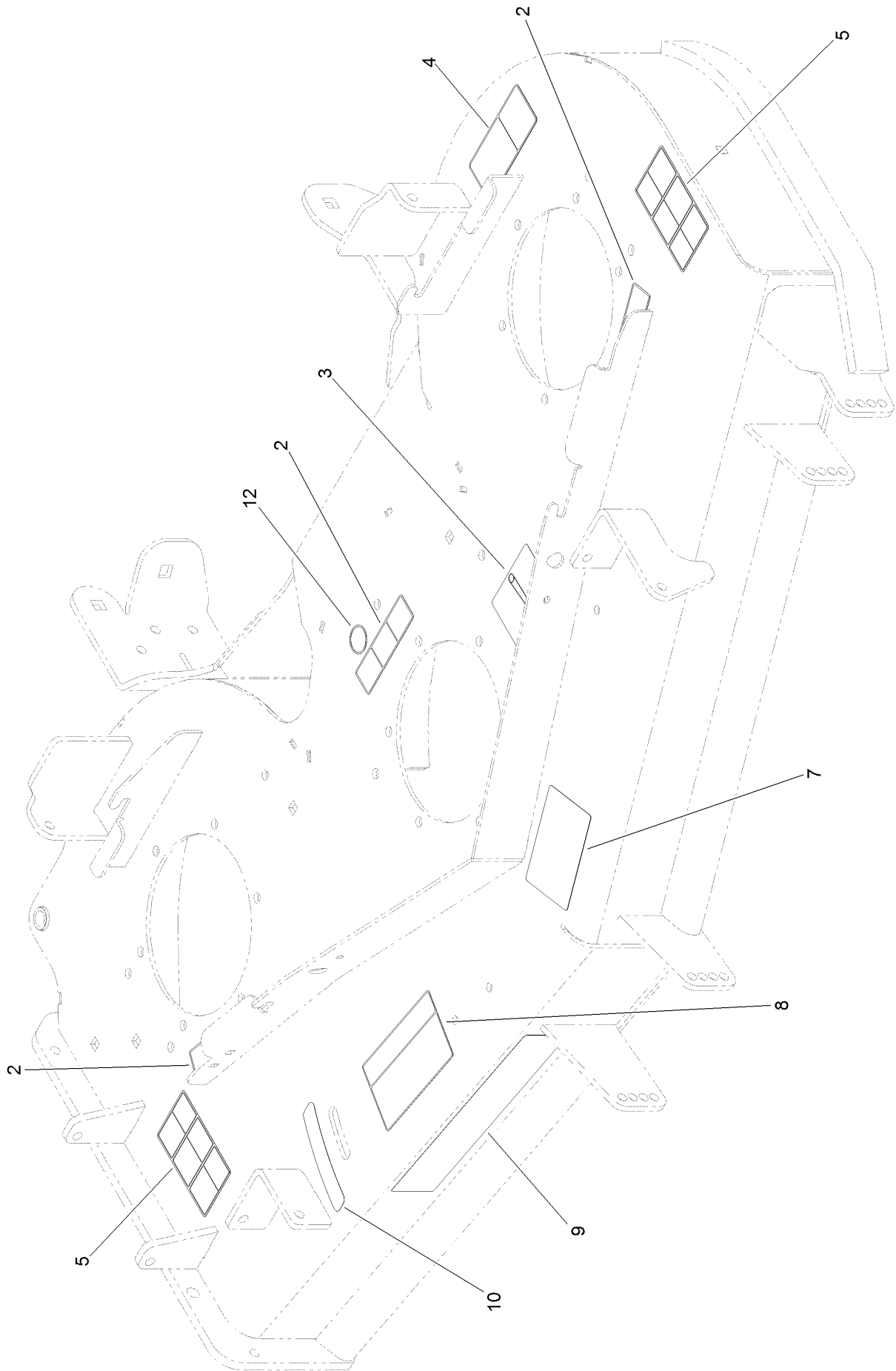


## Deck Assembly (continued)

| <i>Ref.</i> | <i>Part Number</i> | <i>Qty.</i> | <i>Description</i>       | <i>Ref.</i> | <i>Part Number</i> | <i>Qty.</i> | <i>Description</i>    |
|-------------|--------------------|-------------|--------------------------|-------------|--------------------|-------------|-----------------------|
| 1           | 112-4190           | 1           | Deck Decal ASM           | 22          | 3231-40            | 2           | Bolt-CARR, Short Neck |
| 2           | 115-7426           | 1           | Belt-V                   | 23          | 108-5388           | 1           | Screw-HH              |
| 3           | 104-8301           | 41          | Nut-Flange, NI           | 24          | 98-5967            | 1           | Spacer-Wheel          |
| 4           | 115-7450           | 3           | Pulley                   | 25          | 107-8541-01        | 1           | Baffle-Discharge      |
| 5           | 109-6936           | 1           | Cover-Belt, LH           | 26          | 322-50             | 1           | Screw-HH              |
| 6           |                    | 1           | Idler Arm ASM ●          | 27          | 108-2792           | 1           | Rubber Deflector ASM  |
| 7           | 119-8560           | 3           | Spindle ASM              | 28          | 108-4052           | 1           | Spring-Torsion        |
| 8           | 109-6982           | 2           | Wireform-Cover           | 29          | 105-4622           | 1           | Spacer                |
| 9           | 121-7975-01        | 1           | Plate-Skid               | 30          | 107-1664           | 1           | Lever ASM             |
| 10          | 3231-27            | 7           | Screw-CARR               | 30:1        | 106-3239           | 1           | Screw-Lock            |
| 11          | 3290-357           | 6           | Nut-HHF, Whiz            | 30:2        | 107-1644           | 1           | Cap-Lock              |
| 12          | 108-5387           | 3           | Screw-CARR               | 30:3        | 106-3241           | 1           | Lever-Lock            |
| 13          | 323-23             | 1           | Screw-HH                 | 30:4        | 3296-29            | 1           | Nut-Lock, NI          |
| 14          | 105-7781-03        | 3           | Blade-18In, Hi Flow      | 31          | 3296-47            | 1           | Nut-Lock, NI          |
| 15          | 103-0865           | 3           | Washer-Blade Bolt, Heavy | 32          | 114-5867           | 1           | Anchor-Spring, Tall   |
| 16          | 51-4060            | 3           | Screw-Blade              | 33          | 116-6317           | 1           | Spring-Extension      |
| 17          | 115-7461-01        | 1           | Baffle ASM               | 34          | 109-2872           | 2           | Spacer-Pulley         |
| 18          | 131-1480-01        | 1           | Adjustable Baffle ASM    | 35          | 116-4670           | 2           | Pulley-Idler, Flat    |
| 19          | 98-7912            | 1           | Tube-Spanner             | 36          | 109-6935           | 1           | Cover-Belt, RH        |
| 20          | 1-603299           | 3           | Roller-Scalp, Anti       | 37          | 109-6658           | 2           | Nut-Flange, NI        |
| 21          | 98-7913            | 1           | Tube-Spacer              | 38          | 92-1624            | 3           | Screw-HWH             |

● Not serviced separately

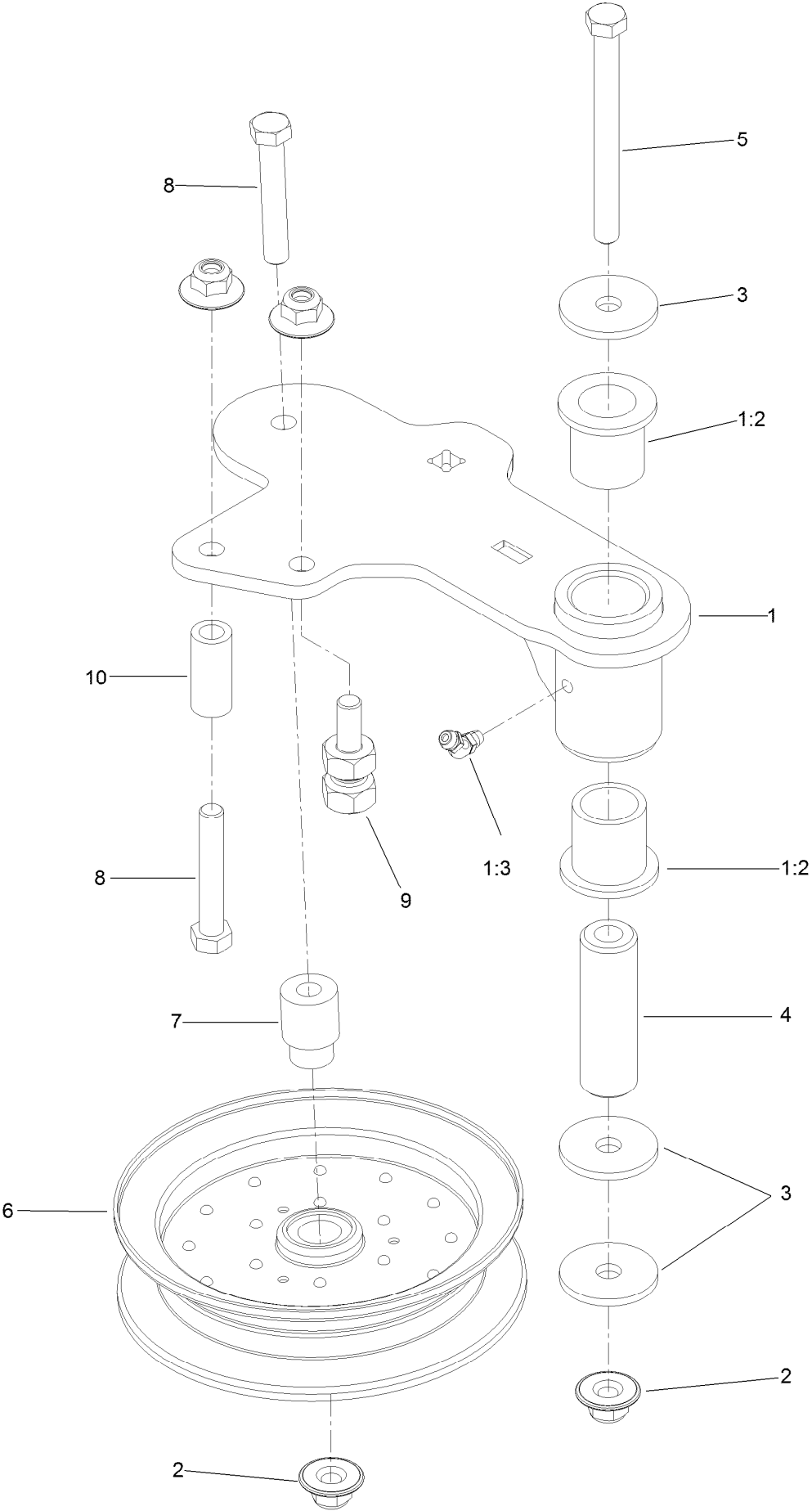
# Deck Decal Assembly No. 112-4190



## Deck Decal Assembly No. 112-4190 (continued)

| <i>Ref.</i> | <i>Part Number</i> | <i>Qty.</i> | <i>Description</i>       | <i>Ref.</i> | <i>Part Number</i> | <i>Qty.</i> | <i>Description</i>       |
|-------------|--------------------|-------------|--------------------------|-------------|--------------------|-------------|--------------------------|
| 2           | 112-9028           | 3           | Decal-Cover Missing      | 8           | 110-2068           | 1           | Decal-Adjustment, Baffle |
| 3           | 115-7445           | 1           | Decal-Routing, Deck Belt | 9           | 107-1618           | 1           | Decal                    |
| 4           | 93-7818            | 1           | Decal-Torque, Blade Bolt | 10          | 110-2067           | 1           | Decal-Setting, Baffle    |
| 5           | 117-3848           | 2           | Decal-Danger             | 12          | 58-6520            | 1           | Decal-Grease             |
| 7           | 127-0326           | 1           | Decal-Anti Scalp         |             |                    |             |                          |

# Idler Assembly

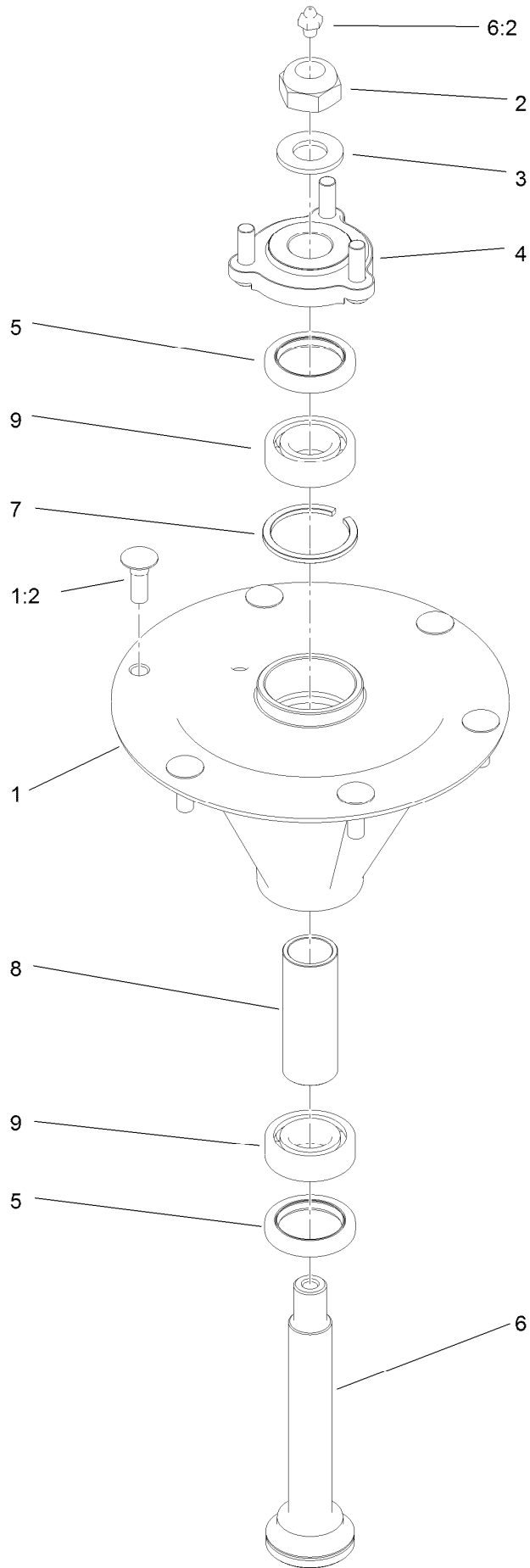




## Idler Assembly (continued)

| <i>Ref.</i> | <i>Part Number</i> | <i>Qty.</i> | <i>Description</i> | <i>Ref.</i> | <i>Part Number</i> | <i>Qty.</i> | <i>Description</i>    |
|-------------|--------------------|-------------|--------------------|-------------|--------------------|-------------|-----------------------|
| 1           | 114-5870           | 1           | Idler Arm ASM      | 5           | 98-5961            | 1           | Screw-HH              |
| 1:2         | 1-303514           | 2           | Bearing-Flanged    | 6           | 116-4668           | 1           | Idler-Pulley, Flanged |
| 1:3         | 1481               | 1           | Fitting-Grease     | 7           | 112-4212           | 1           | Mount-Pulley          |
| 2           | 109-6658           | 4           | Nut-Flange, NI     | 8           | 323-11             | 2           | Screw-HH              |
| 3           | 1-213069           | 3           | Washer             | 9           | 114-5866           | 1           | Anchor-Spring, Short  |
| 4           | 114-5848           | 1           | Spacer-Plain       | 10          | 104-0151           | 1           | Spacer                |

# Spindle Assembly No. 119-8560

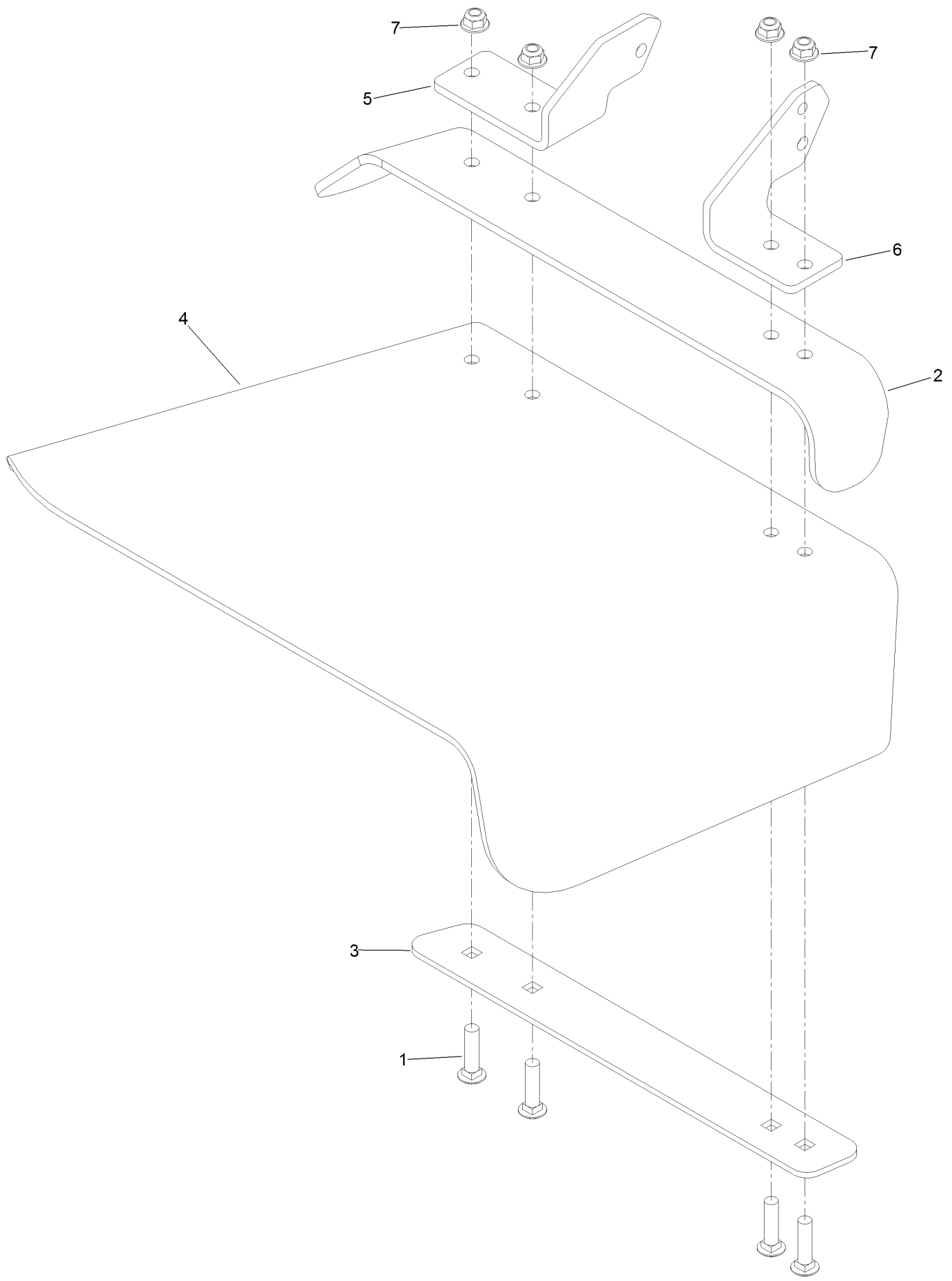


## Spindle Assembly No. 119-8560 (continued)

| <i>Ref.</i> | <i>Part Number</i> | <i>Qty.</i> | <i>Description</i>                 | <i>Ref.</i> | <i>Part Number</i> | <i>Qty.</i> | <i>Description</i> |
|-------------|--------------------|-------------|------------------------------------|-------------|--------------------|-------------|--------------------|
| 1           |                    | 1           | Spindle Housing And Studs<br>ASM ● | 5           | 253-133            | 2           | Seal-Oil           |
| 1:2         | 114-8195           | 6           | Bolt-Ribbed Neck                   | 6           | 119-8527           | 1           | Shaft-Spindle      |
| 2           | 3296-67            | 1           | Nut-Lock, NI                       | 6:2         | 302-2              | 1           | Fitting-Grease     |
| 3           | 92-5836            | 1           | Washer                             | 7           | 119-8532           | 1           | Snap Ring          |
| 4           | 117-6172           | 1           | Spindle Hub ASM                    | 8           | 117-6184           | 1           | Spacer             |
|             |                    |             |                                    | 9           | 119-8558           | 2           | Bearing-Noseal     |

● Not serviced separately

# Rubber Deflector Assembly No. 108-2792



# Rubber Deflector Assembly No. 108-2792 (continued)

| <i>Ref.</i> | <i>Part Number</i> | <i>Qty.</i> | <i>Description</i> | <i>Ref.</i> | <i>Part Number</i> | <i>Qty.</i> | <i>Description</i> |
|-------------|--------------------|-------------|--------------------|-------------|--------------------|-------------|--------------------|
| 1           | 3231-4             | 4           | Screw-CARR         | 5           | 108-4059-01        | 1           | Plate-Hinge, Rear  |
| 2           | 106-3246-01        | 1           | Deflector          | 6           | 106-3253-01        | 1           | Plate-Hinge, Front |
| 3           | 106-3248-03        | 1           | Strap-Discharge    | 7           | 104-8301           | 4           | Nut-Flange, NI     |
| 4           | 108-5029           | 1           | Deflector-Rubber   |             |                    |             |                    |

# Attachments and Accessories

## For 74923 Z Master Professional 6000 Series Riding Mower with 52in TURBO FORCE Side Discharge Mower

| Product Name                                 | Model/Part  |
|--|-------------|
| Blower and Drive Kit .....                   | 78552       |
| E-Z Vac Twin Bagging System.....             | 78562       |
| E-Z Vac DFS Collection System .....          | 78566       |
| Deluxe Suspension Seat Kit .....             | 117-6174    |
| Deluxe Seat Kit .....                        | 121-7595    |
| Recycler Kit .....                           | 115-7467    |
| Operator Controlled Discharge Chute Kit..... | 117-3600    |
| Bimini Folding Shade Assembly .....          | 115-4510    |
| Z Stand Kit.....                             | 121-4811    |
| Light Kit.....                               | 116-1154    |
| Hitch Kit .....                              | 109-9487    |
| Trash Holder Kit.....                        | TC26        |
| Hypr-Oil 500 (quart) .....                   | 114-4713    |
| Hypr-Oil 500 (gallon).....                   | 114-4714    |
| Hypr-Oil 500-5 (5 gallon).....               | 114-4715    |
| Blade-Hi Flow, 18in .....                    | 105-7781-03 |
| Blade-Med Flow, 18in .....                   | 105-7794-03 |
| Blade-Low Flow, 18in.....                    | 105-7795-03 |
| Blade-Atomic, 18in .....                     | 105-7796-03 |
| Blade-Recycler, 18in.....                    | 105-7779-03 |
| Blade-Hi Flow, 18in (6 Pack).....            | 108-1117    |
| Blade-Med Flow, 18in (6 Pack) .....          | 110-0409    |
| Blade-Lo Flow, 18in (6 Pack) .....           | 110-0406    |
| Blade-Atomic, 18in (6 Pack) .....            | 108-1118    |
| Blade-Recycler, 18in (6 Pack).....           | 110-0408    |
| Roller Striper Kit.....                      | 115-7470    |
| Filter Minder Gauge .....                    | 99-4664     |
| Toro Deluxe Rider Cover.....                 | 490-7319    |
| Spark Arrestor Screen .....                  | 75-6880     |
| Anti-Scalp Kit (Trim Side).....              | 108-4140    |
| Turbo Baffle Kit .....                       | 107-1634    |
| Seat Tilt Frame And Iso Mount Kit.....       | 121-7596    |
| MVP Belt and Blade Kit.....                  | 127-1638    |

**Notes:**



**Count on it.**