



Count on it.

Parts Catalog

4045 Directional Drill

Model No. 23825—Serial No. 313000001 and Up



Ordering Replacement Parts

To order replacement parts, please supply the part number, the quantity, and the description of each part desired.

Understanding Reference Numbers

Each identified part in an illustration has a reference number. The reference number for a part also appears in the parts list, along with other information about the part.

This catalog uses two special reference number formats, one to indicate parts in a service assembly and another to indicate the quantity of a given part in an illustration.

Service Assembly Reference Numbers

Parts in service assemblies have reference numbers in the form a:b. The a represents the reference number of the entire service assembly and the b represents a sequential number unique to each part within the service assembly.

For example, a wheel assembly might be identified by reference number 6, the tire by 6:1, the valve by 6:2, and the wheel by 6:3. When you order the assembly identified by reference number 6, you receive all parts identified by reference numbers 6:1, 6:2, and 6:3. However, you may also order any part individually. Reference numbers of this type appear in illustration and in parts lists.

Reference Numbers Indicating Quantity

In an illustration, if a reference number indicates more than one part, the reference number has the form nX y. The n represents the quantity of the part, the X is the multiplication symbol, and the y represents the reference number.

For example, in an illustration, the reference number 2X 37 means that two of the parts identified by reference number 37 are indicated.

List of Abbreviations

AR: as required

ASM: assembly

BBC: blade brake control

BHTF: button head thread forming

CARR: carriage

CCW: counter clockwise

CW: clockwise

DEG: degrees

DPA: Dual Point Adjustment

ECM: electronic control module

EXT: external

FH: flat head

GA: gauge

HD: heavy-duty

HF: hex flange

HH: hex head

HHF: hex head flange

HHFTF: hex head flange thread forming

HJ: hex jam

HLH: hex lag head

HOC: height-of-cut

HP: high pressure

HSBH: hex socket button head

HSFH: hex socket flat head

HSH: hex socket head

HWH: hex washer head

HWHTF: hex washer head thread forming

HYD: hydraulic

LH: left hand

LP: low pressure

LPG: Liquefied Petroleum Gas

NI: nylon insert

NPTF: national pipe thread fine

PFH: phillips flat head

PPH: phillips pan head

PPHTF: phillips pan head thread forming

PRH: phillips round head

PTH: phillips truss head

PTO: power-take-off

RH: right hand

ROPS: roll-over protection system

RRB: rear roller brush

SFH: slotted fillister head

SHH: slotted hex head

SHWH: slotted hex washer head

SPH: slotted pan head

SQH: square head

SRH: slotted round head

STD: standard

TAP: self tapping

TTH: torx truss head

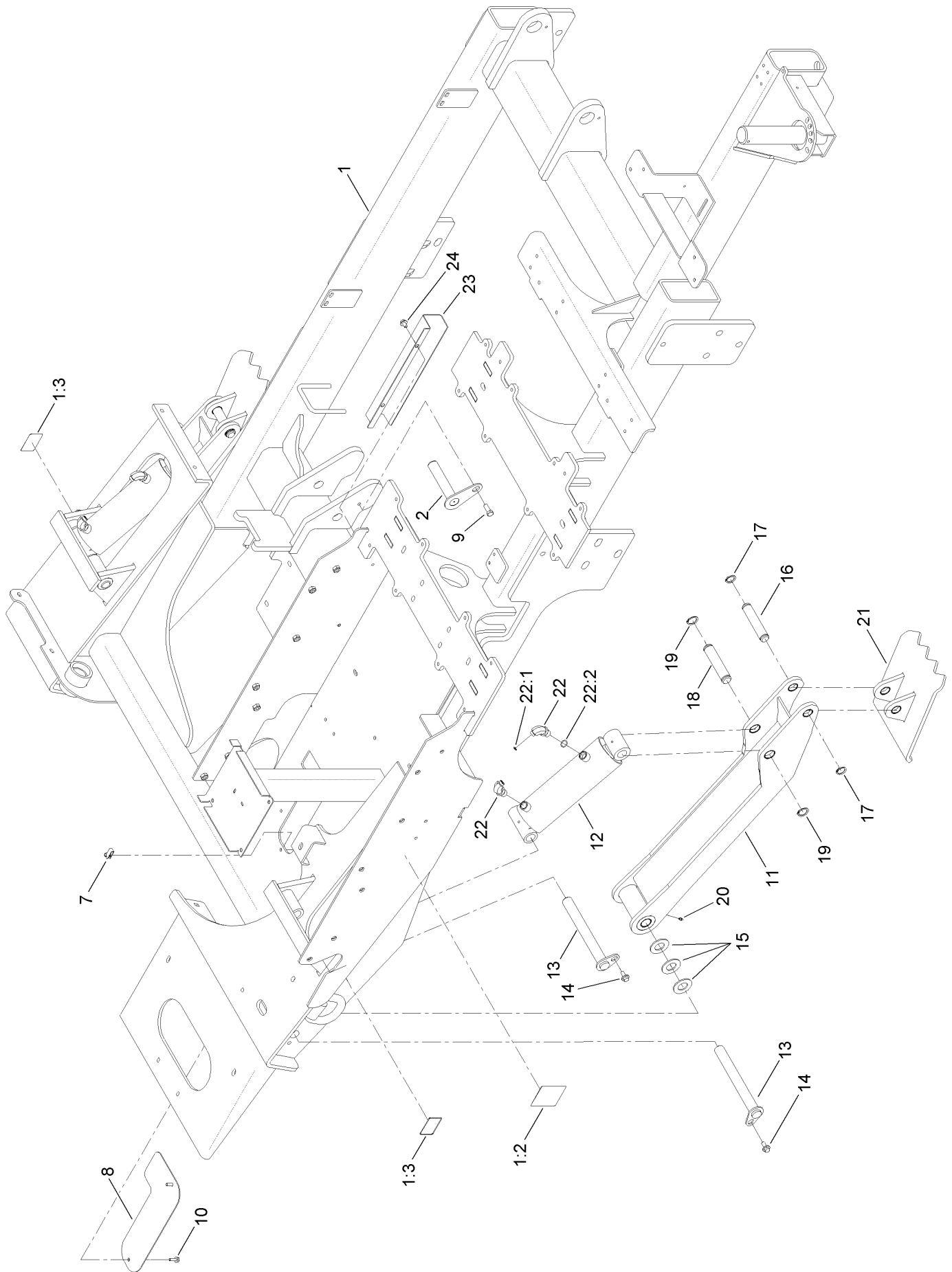
Contents

Main Frame and Stabilizer Assembly	6
Control Box Assembly	8
Track Assembly	10
Hydraulic Fuel Tank and Fitting Assembly	12
Hydraulic Tank Assembly No. AU116143	14
Fuel Tank and Hose Assembly	16
Fuel Tank Assembly No. 121-7535	18
Engine Assembly	20
Fuel Filter Assembly No. 127-5254	22
Hydraulic Pump Assembly	24
Thrust Frame Assembly	26
Thrust Frame Hose Carrier Assembly	28
Planetary, Rod Guide and Stakedown Cage Assembly	30
Stakedown Cage Assembly No. 125-6512	32
Carriage and Rotary Assembly	34
Rotary Assembly No. AU117215	36
Carriage Guard and Mounting Assembly	38
Front Wrench Assembly	40
Rod Box Assembly	42
Rod Loader Cam Assembly	44
Hood Assembly	46
Bulkhead Assembly No. 127-5263	48
Front Hood Assembly No. AU115517	50
Rear Hood Assembly No. AU118302	52
Seat and Operator Console Assembly	54
Operator Console Assembly No. 127-0900	56
Lower Operator Platform Assembly	58
9 Section and 4 Spool Hydraulic Valve Assembly	60
9 Section Hydraulic Valve Assembly No. AU111494	62
5 Section and 3 Spool Hydraulic Valve Assembly	64
Electrical Assembly	66
Travel Pendant and Life Jacket Assembly	68
Travel Pendant Assembly No. 125-1629	70
Life Jacket Assembly No. 125-1628	72
Tool Joint Lube Applicator Assembly	74
Grease Pump Assembly No. AU108837	76
Rod Loader Assembly	78
Operator Control Assembly	80
Cooling Package Assembly	82
Cooler Assembly No. AU129520	84
Cooling Package Hose Assembly	86
Intake and Exhaust Assembly	88
3 Spool Valve Hydraulic Plumbing Assembly	90
Hydraulic Tank Hose Plumbing Assembly	92
Track Pod Hydraulic Plumbing Assembly	94
Hydraulic Pump Hose Assembly No. 1	96
Hydraulic Pump Hose Assembly No. 2	98
Hydraulic Pump Hose Assembly No. 3	100
Hydraulic Pump Hose Assembly No. 4	102
Thrust Frame Hydraulic Hose Assembly No. 1	104
Thrust Frame Hydraulic Hose Assembly No. 2	106
Thrust Frame Hydraulic Hose Assembly No. 3	108
Thrust Frame Hydraulic Hose Assembly No. 4	110
Thrust Frame Hydraulic Hose Assembly No. 5	112

Contents (continued)

Thrust Frame Hydraulic Hose Assembly No. 6	114
Thrust Frame Hydraulic Hose Assembly No. 7	116
Mud Pump Assembly	118
2 Inch Ball Valve Assembly No. AU6HV29033	120
Water Shutoff Valve No. AU8HV29033.....	122
Umbrella, Wash Down Wand, Cylinder Lockout Y-strainer and Split Wiper Assembly	124
Cylinder Lockout Assembly No. AU114336	126
Wash Down Wand Assembly No. 127-0991	128
Attachments and Accessories	130

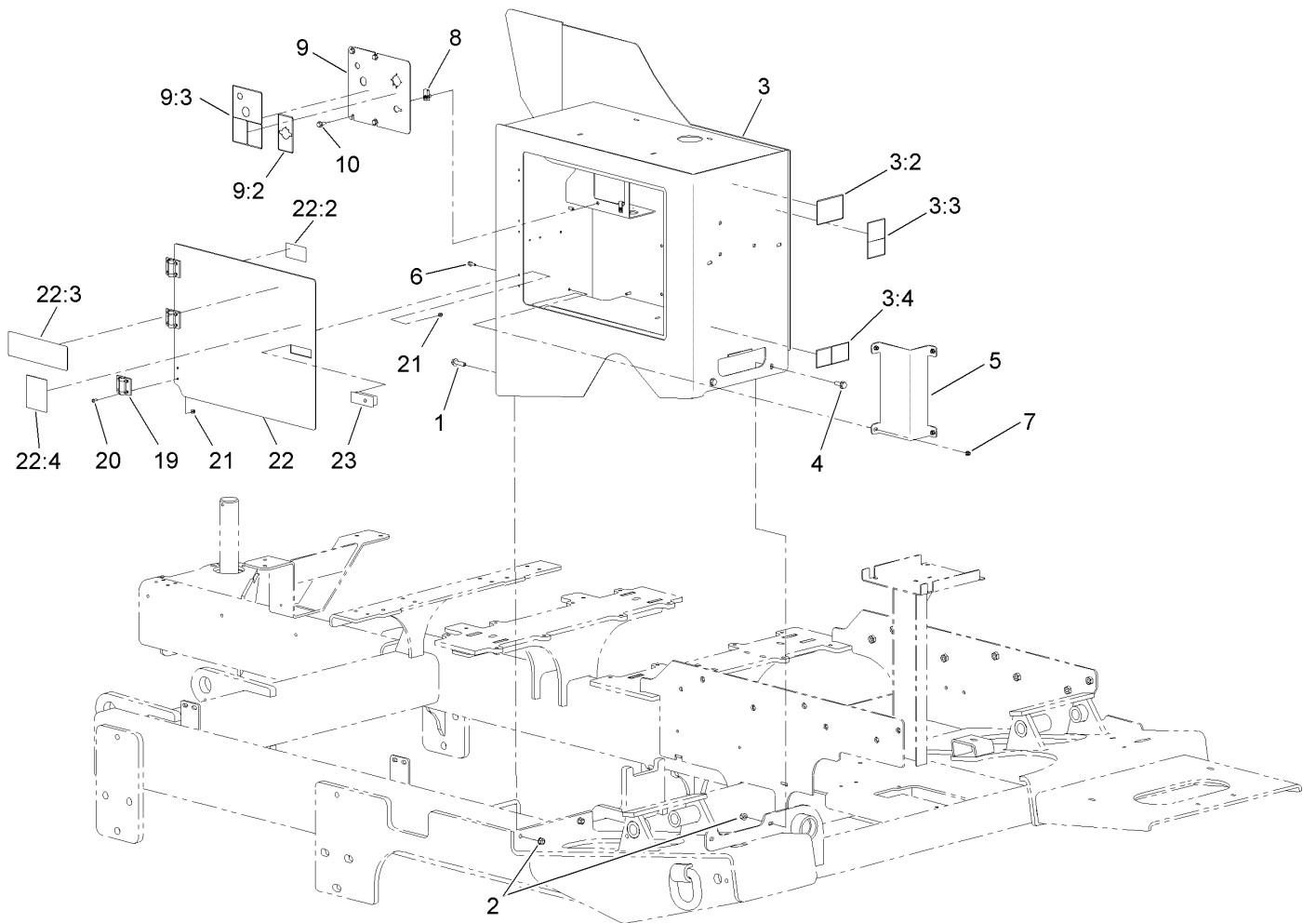
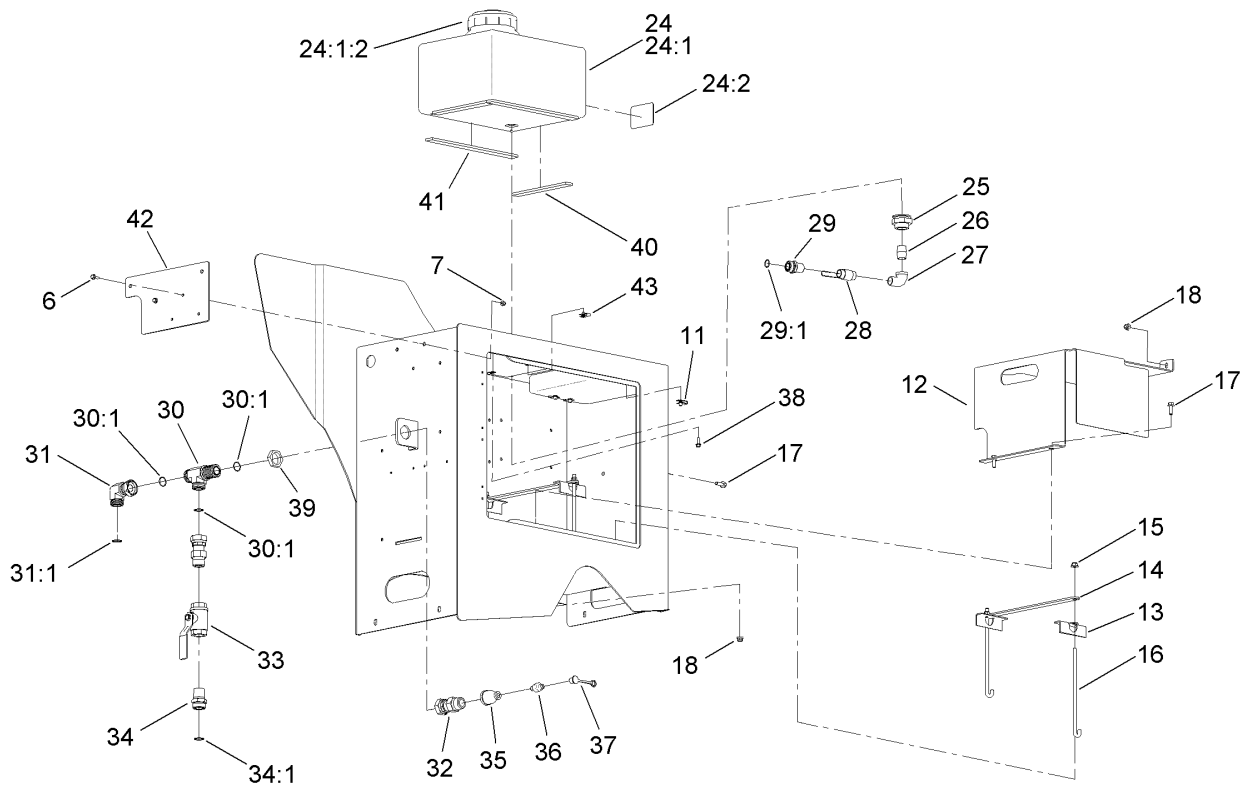
Main Frame and Stabilizer Assembly



Main Frame and Stabilizer Assembly (continued)

<i>Ref.</i>	<i>Part Number</i>	<i>Qty.</i>	<i>Description</i>	<i>Ref.</i>	<i>Part Number</i>	<i>Qty.</i>	<i>Description</i>
1	127-0923	1	Frame ASM	15	AU496-11131	6	Washer-Hardened
1:2	125-6107	1	Decal-Warning, Crushing	16	AUH434379	2	Pin (Stabilizer Pad End)
1:3	125-6139	2	Decal-Lift/Tie Down	17	AU103-16112	4	Ring-Retaining
2	AU111271	1	Pin-Dipper Cylinder To Boom	18	AUH434380	2	Pin-Stabilizer (Cylinder Rod End)
7	AU100862	2	Nut-U	19	AU103-16125	4	Ring-Retaining
8	AU122040-03	1	Cover-Valve, 5 Section	20	302-57	2	Fitting-Grease
9	106-0378	1	Screw-HH	21	AU120109-03	2	Stabilizer Foot ASM
10	33104-025	2	Screw-HHF	22	340-130	4	Fitting-Elbow, 90
11	AU116295-03	2	Stabilizer	22:1	237-22	1	O-Ring
12	AU116285	2	HYD Cylinder ASM	22:2	237-80	1	O-Ring
13	AU116290	4	Pin-W/Flag	23	AU130072-03	1	Plate-Guard, Wire Harness
14	33106-025	4	Screw-HHF	24	33105-016	2	Screw-HHF

Control Box Assembly

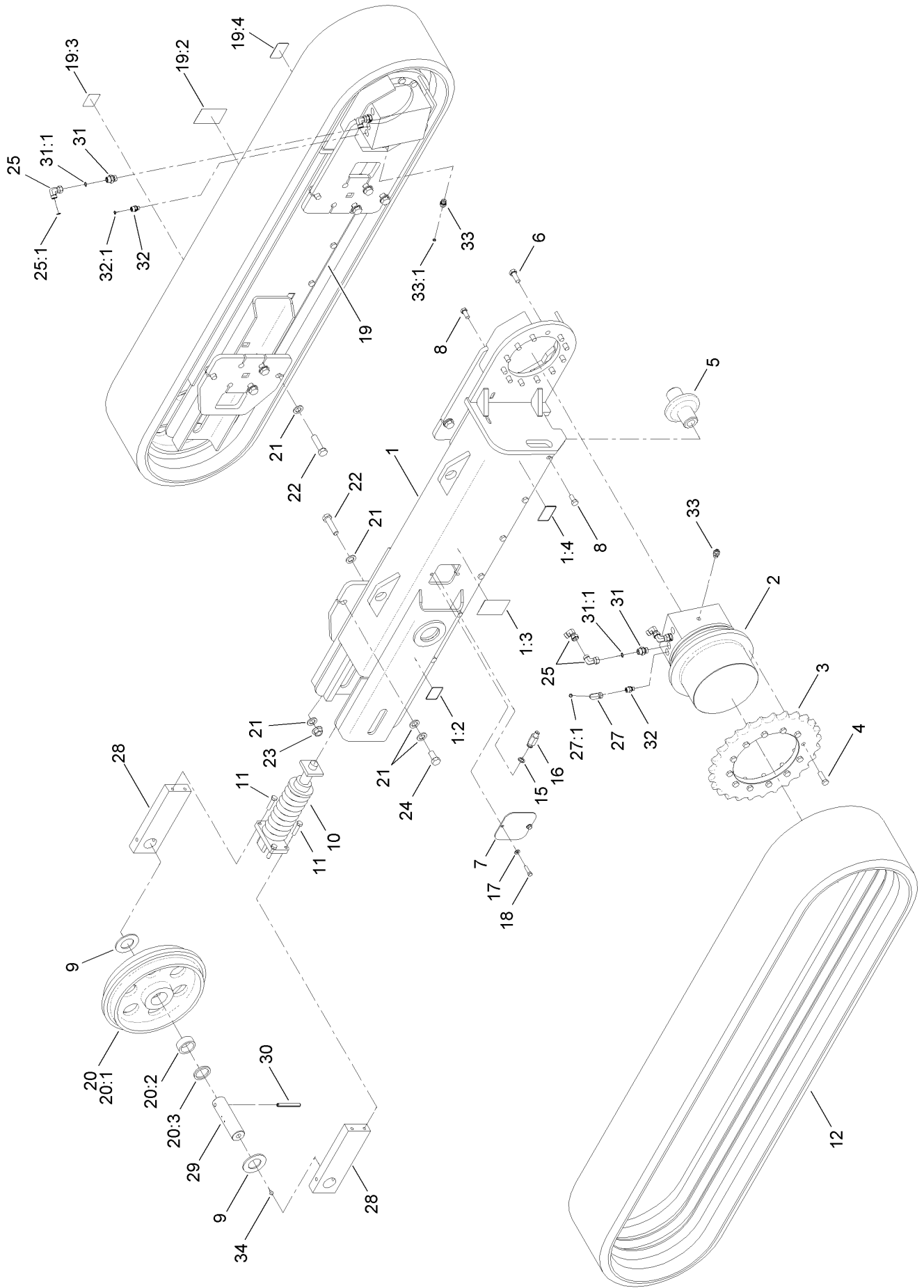


Control Box Assembly (continued)

<i>Ref.</i>	<i>Part Number</i>	<i>Qty.</i>	<i>Description</i>	<i>Ref.</i>	<i>Part Number</i>	<i>Qty.</i>	<i>Description</i>
1	AU100331	2	Screw-HHF	23	AU50GB2302	1	Latch-Trigger, Raised (W/Lock)
2	103-9511	4	Nut-Lock, NI	24	127-0927	1	Antifreeze Tank ASM
3	127-0925	1	Control Box ASM	24:1		1	Tank ●
3:2	125-6120	1	Decal-Raise And Lower	24:1:2	127-0877	1	Lid-Tank
3:3	125-6118	1	Decal-Danger, Back Up	24:2	125-6137	1	Decal-Antifreeze
3:4	125-6128	1	Decal-Warning, Hydraulic Pressure	25	AU20MC8508	1	Fitting-Tank, Bulkhead (Plastic)
4	33105-030	2	Screw-HHF	26	AU221-1211	1	Nipple-Straight
5	AU117627-03	1	Plate-Corner, Console	27	AU221-1415	1	Elbow-Street, 90 DEG
6	33103-020	6	Screw-HHF	28	AU8HV21012	1	Valve-Ball
7	81-0130	6	Nut-Flange, NI	29	AU8OA11212	1	Fitting-Straight
8	AU100862	4	Nut-U	29:1	237-58	1	O-Ring
9	127-0926	1	Control Plate ASM	30	92-7550	1	Fitting-Tee, Bulkhead
9:2	125-6157	1	Decal-Disconnect, Battery	30:1	340-65	3	O-Ring
9:3	125-6141	1	Decal-Rear Controls Overlay	31	92-7645	1	Fitting-Swivel, 90 DEG
10	33104-020	4	Screw-HHF	31:1	340-65	1	O-Ring
11	AU100861	3	Nut-U	32	AU8OA65016	2	Fitting-Straight
12	AU117625-03	1	Plate-Cover	33	AU8HV22016	1	Valve-Ball
13	AUD125079	4	Angle-Holddown, Battery	34	AU8OA11616	1	Fitting-Straight
14	AU117616	2	Plate-Battery Hold Down	34:1	340-65	1	O-Ring
15	104-8301	4	Nut-Flange, NI	35	AU8PC11604	1	Fitting-Reducer
16	AUH436311	4	Bolt-Holddown, Battery	36	AU8QD55204	1	Nipple-Quick Disconnect
17	33104-025	4	Screw-HHF	37	AU8QD08204	1	Cap-Dust, Plastic
18	104-3082	4	Nut-Lock, HHF	38	3234-4	4	Screw-HHF
19	AU123695	3	Hinge	39	340-128	1	Nut-Bulkhead
20	1-803071	12	Screw	40	127-0975	2	Strip-Seal
21	120-4578	12	Nut-HF	41	127-0974	2	Strip-Seal
22	127-0924	1	Door ASM	42	130-4451-03	1	Plate-Lockout, Cylinder
22:2	125-8473	1	Decal-Warning, Battery	43	AU108120	2	Nut-U
22:3	125-6113	1	Decal-Safety				
22:4	125-6117	1	Decal-Danger, No Riders (Rear)				

● Not serviced separately

Track Assembly

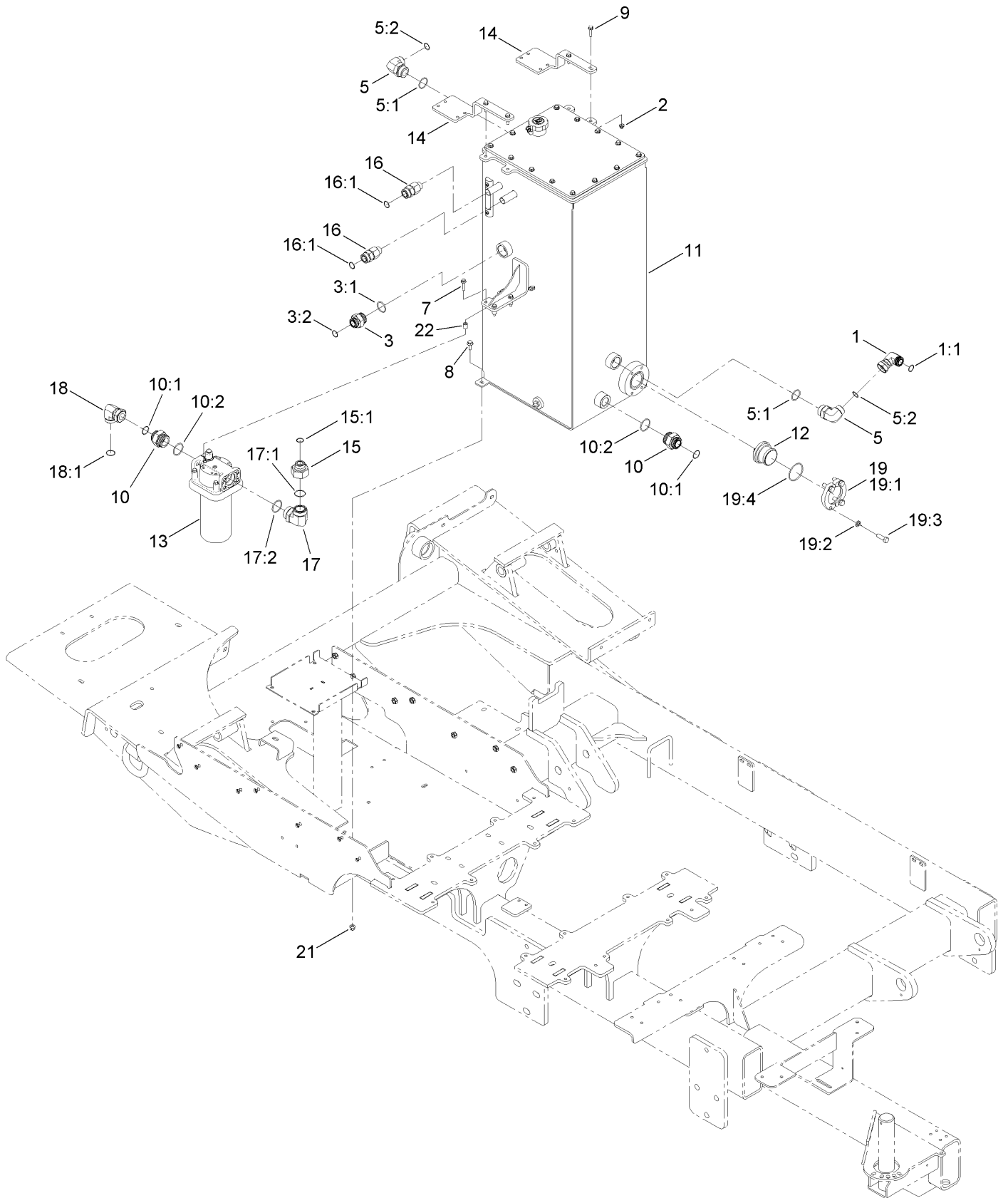


Track Assembly (continued)

<i>Ref.</i>	<i>Part Number</i>	<i>Qty.</i>	<i>Description</i>	<i>Ref.</i>	<i>Part Number</i>	<i>Qty.</i>	<i>Description</i>
1	127-0929	1	RH Track Pod ASM	19:4	125-6139	1	Decal-Lift/Tie Down
1:2	125-6694	1	Decal-Tie Down	20	127-0960	2	Idler ASM
1:3	125-6108	1	Decal-Warning, Thrown Objects	20:1	AU32GB2410-03	1	Sprocket-Idler
1:4	125-6139	1	Decal-Lift/Tie Down	20:2	AUH748111	2	Bearing
2	AU8GB85017	2	Planetary Gearbox ASM	20:3	AU8HS11032	2	Seal-Shaft
3	AU30DD2424-03	2	Sprocket-Track Drive, 27T	21	103-0357	32	Washer
4	AU814-14045	24	Screw-HH	22	328-25	12	Screw-HH
5	AU30DD2434	12	Roller-Track	23	32128-45	12	Locknut-Flange
6	AU814-16040	24	Screw-HH	24	AU426-1224	4	Bolt
7	AU32GB2413-03	2	Cover-Access Hole	25	94-6031	6	Fitting-HYD
8	AU814-14030	24	Screw-HH	25:1	237-30	1	O-Ring
9	AU8CF90032	4	Bearing-Thrust	27	340-159	1	Fitting-HYD, 90 DEG
10	AU32GB2412	2	Tensioner-Track	27:1	237-22	2	O-Ring
10:1	AU109951	1	Seal-U ●	28	AU32GB2408-03	4	Slider-Tensioner, Track Drive
10:2	AU109952	1	Seal-Wiper ●	29	AU32GB2409	2	Pin-Axle
11	AU426-832	8	Bolt	30	AU8CP31631	2	Pin-Slotted, Spring
12	AU32GB2414	2	Track-Rubber	31	127-3875	4	Fitting-Straight
15	AU30-807L-1059	2	Seal-O Ring	31:1	237-30	1	O-Ring
16	AU30-807L-1060	2	Valve-Grease	32	127-3874	2	Fitting-Straight
17	3256-24	4	Washer-Flat	32:1	237-22	1	O-Ring
18	323-43	4	Screw-HH	33	127-3873	2	Fitting-Straight
19	127-0928	1	LH Track Pod ASM	33:1	237-21	1	O-Ring
19:2	125-6108	1	Decal-Warning, Thrown Objects	34	302-2	2	Fitting-Grease
19:3	125-6694	1	Decal-Tie Down				

● Not illustrated

Hydraulic Fuel Tank and Fitting Assembly

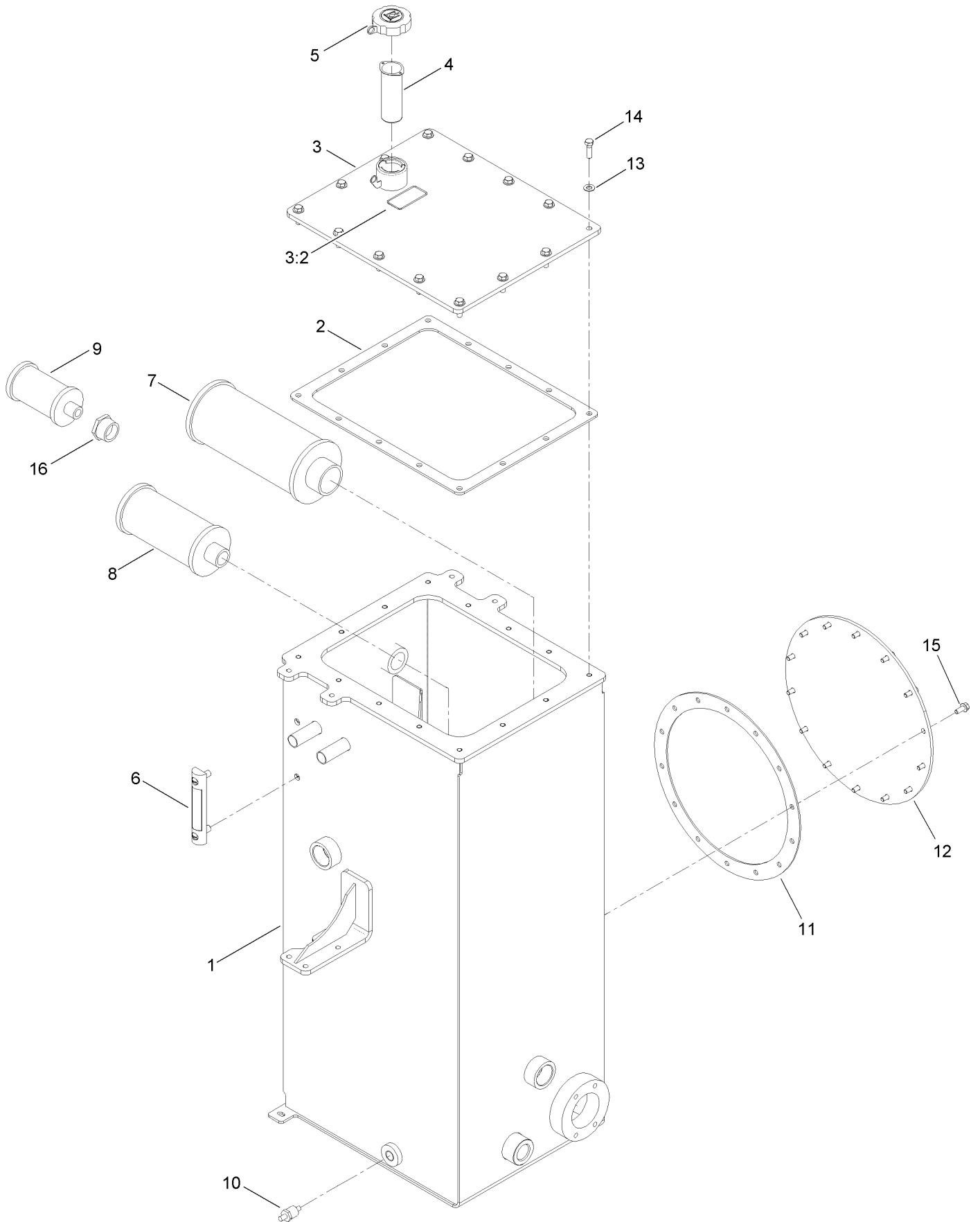


Hydraulic Fuel Tank and Fitting Assembly (continued)

<i>Ref.</i>	<i>Part Number</i>	<i>Qty.</i>	<i>Description</i>	<i>Ref.</i>	<i>Part Number</i>	<i>Qty.</i>	<i>Description</i>
1	92-7645	1	Fitting-Swivel, 90 DEG	14	AU123439-03	2	Mount-Plate
1:1	340-65	1	O-Ring	15	AU8OA81624	1	Fitting-Reducer
2	104-3082	4	Nut-Lock, HHF	15:1	340-65	1	O-Ring
3	340-80	1	Fitting-Straight	16	AU8OAB1616	2	Fitting-Straight
3:1	237-101	1	O-Ring	16:1	340-65	1	O-Ring
3:2	340-65	1	O-Ring	17	AU8OL32424	1	Fitting-Elbow, 90
5	340-79	2	Adapter	17:1	340-63	1	O Ring
5:1	237-101	1	O-Ring	17:2	340-136	1	O-Ring
5:2	340-65	1	O-Ring	18	AU8OL82020	1	Fitting-Elbow, 90
7	112-9318	4	Screw-HHF, Locking	18:1	340-64	1	O-Ring
8	33105-025	3	Screw-HHF	19	AU91-FF593-40	1	Split Flange Kit
9	33104-035	4	Screw-HHF	19:1		2	Flange ●
10	AU8OA32024	2	Fitting-Straight	19:2	3253-7	4	Washer-Lock
10:1	340-64	1	O-Ring	19:3	121-1524	4	Screw-HH
10:2	340-136	1	O-Ring	19:4	127-0980	1	O-Ring
11	AU116143	1	HYD Tank ASM	21	103-9511	3	Nut-Lock, NI
12	AU117686	1	Insert	22	115-1451	4	Spacer-Wheel
13	AU118533	1	Filter-HYD, Return				

● Not serviced separately

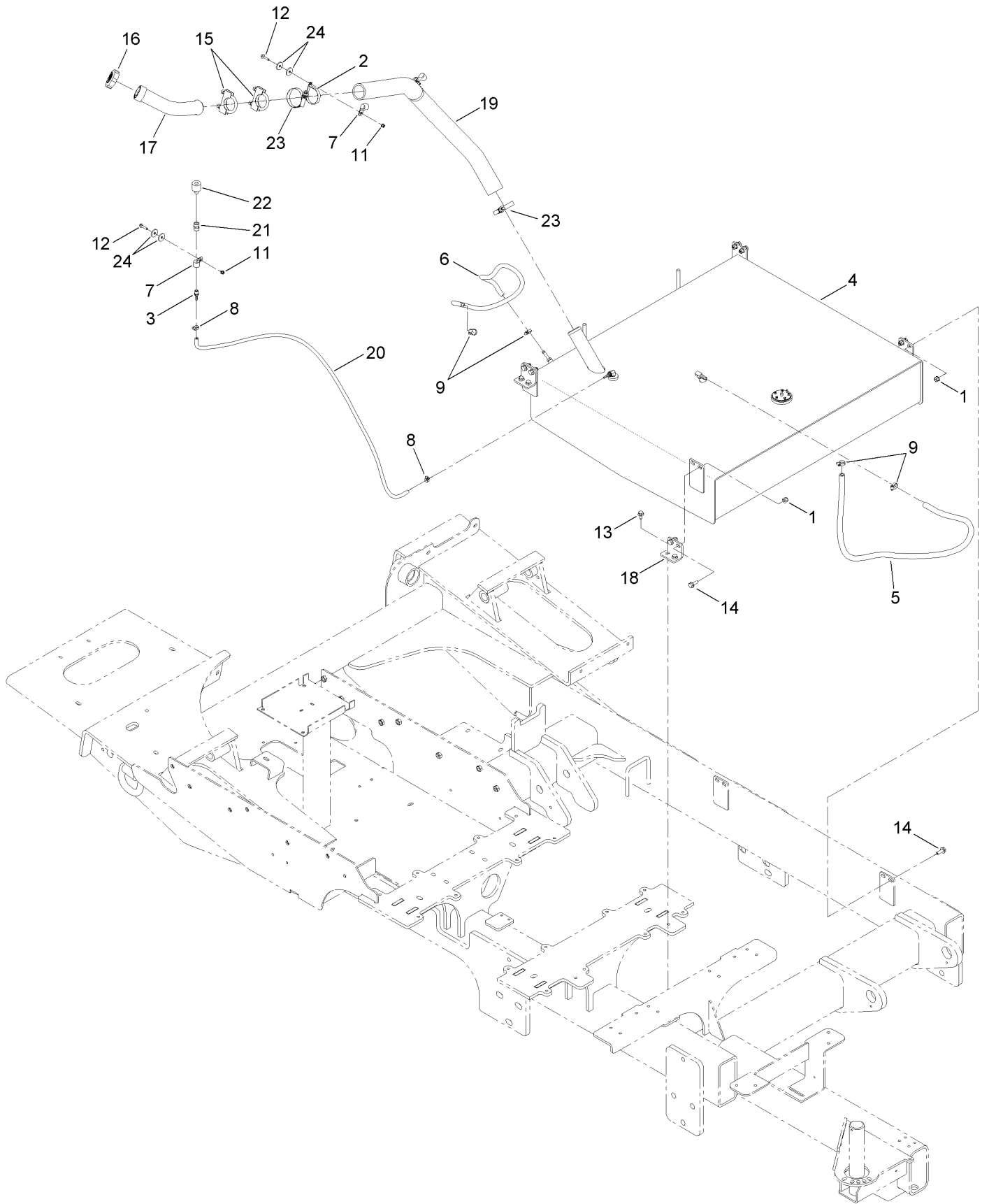
Hydraulic Tank Assembly No. AU116143



Hydraulic Tank Assembly No. AU116143 (continued)

<i>Ref.</i>	<i>Part Number</i>	<i>Qty.</i>	<i>Description</i>	<i>Ref.</i>	<i>Part Number</i>	<i>Qty.</i>	<i>Description</i>
1	AU116595	1	Tank-HYD	9	AU116598	1	Strainer-Nipple
2	AU117202	1	Gasket-Cover	10	AU30-460-8006	1	Sender-Temperature, Water
3	127-0930	1	HYD Tank Cover ASM	11	AU122311	1	Gasket-HYD, Tank
3:2	125-8483	1	Decal-HYD Fluid	12	AU122304-03	1	Cover-HYD, Tank
4	AU101238	1	Filter-Screen, Mesh	13	48-9220	14	Washer
5	AU105820	1	Cap-HYD Fluid (W/ Lock)	14	323-7	14	Screw-HH
6	AUL116247	1	Gauge-Sight	15	33104-020	14	Screw-HHF
7	AU116600	1	Strainer-Nipple	16	AU221-70	1	Fitting-Reducer
8	AU116599	1	Strainer-Suction				

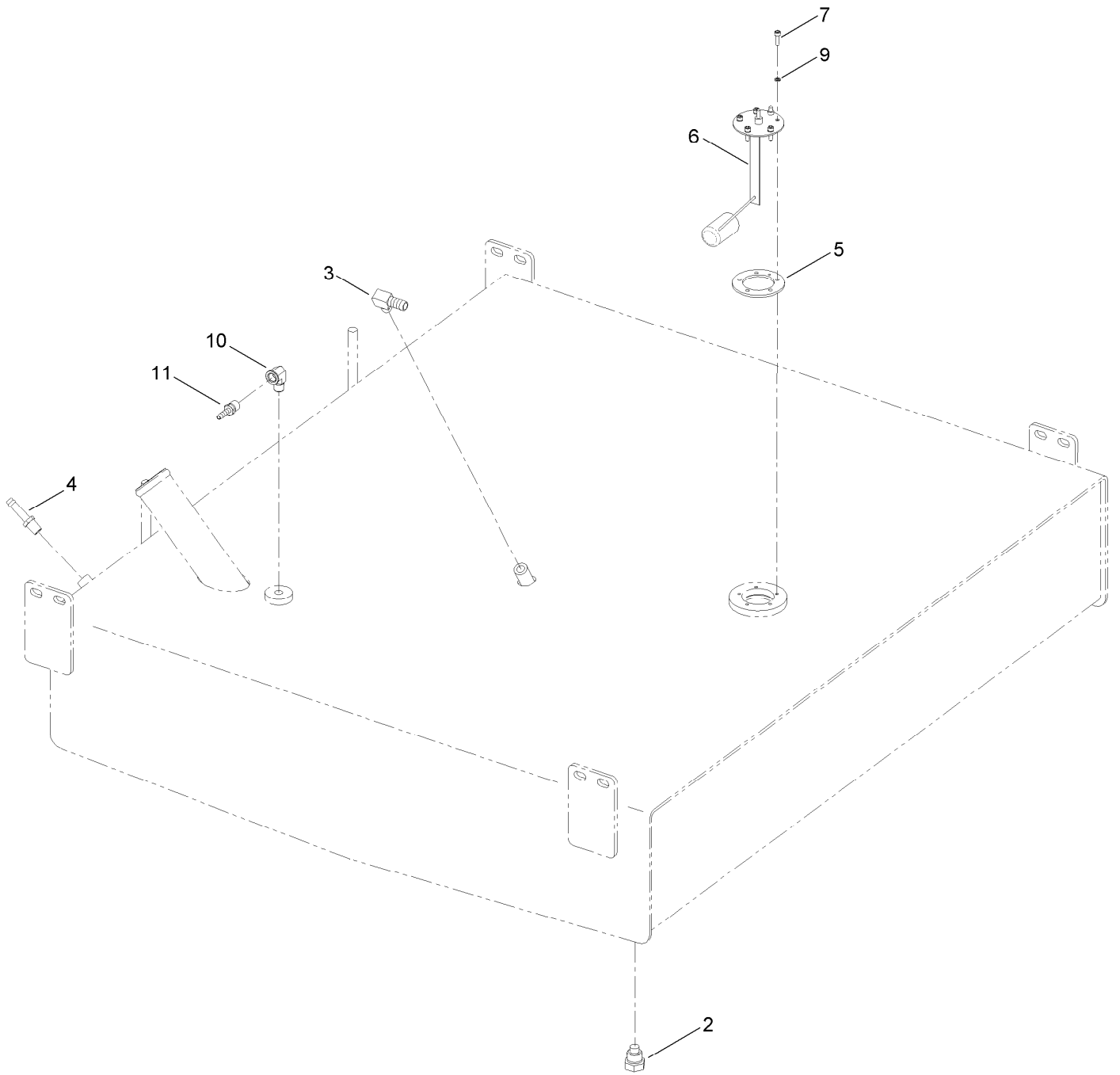
Fuel Tank and Hose Assembly



Fuel Tank and Hose Assembly (continued)

<i>Ref.</i>	<i>Part Number</i>	<i>Qty.</i>	<i>Description</i>	<i>Ref.</i>	<i>Part Number</i>	<i>Qty.</i>	<i>Description</i>
1	103-9511	8	Nut-Lock, NI	14	33105-030	8	Screw-HHF
2	107-1865	2	R-Clamp	15	AU111838	2	Bolt-U, Clamp
3	115-1447	1	Fitting-Straight	16	AU117630	1	Cap-Fuel (W/Lock)
4	121-7535	1	Fuel Tank ASM	17	AU118832	1	Neck-Filler, Fuel
5	127-0945	1	Hose-Fuel	18	AU119508-03	2	Plate-Mounting, Tank
6	127-0946	1	Hose-Fuel	19	AU124968	1	Hose-Fuel, Tank Fill
7	2412-4	3	Clamp	20	107-9298	1	Hose-Fuel
8	2412-108	2	Clamp-Worm	21	AU217-1101	1	Coupling-Pipe (NPTF)
9	2412-36	4	Clamp-Hose	22	AU31543	1	Breather
11	81-0130	3	Nut-Flange, NI	23	104-9240	2	Clamp-Hose
12	33103-030	3	Screw-HHF	24	105-3048	6	Washer-Flat
13	33105-020	4	Screw-HHF				

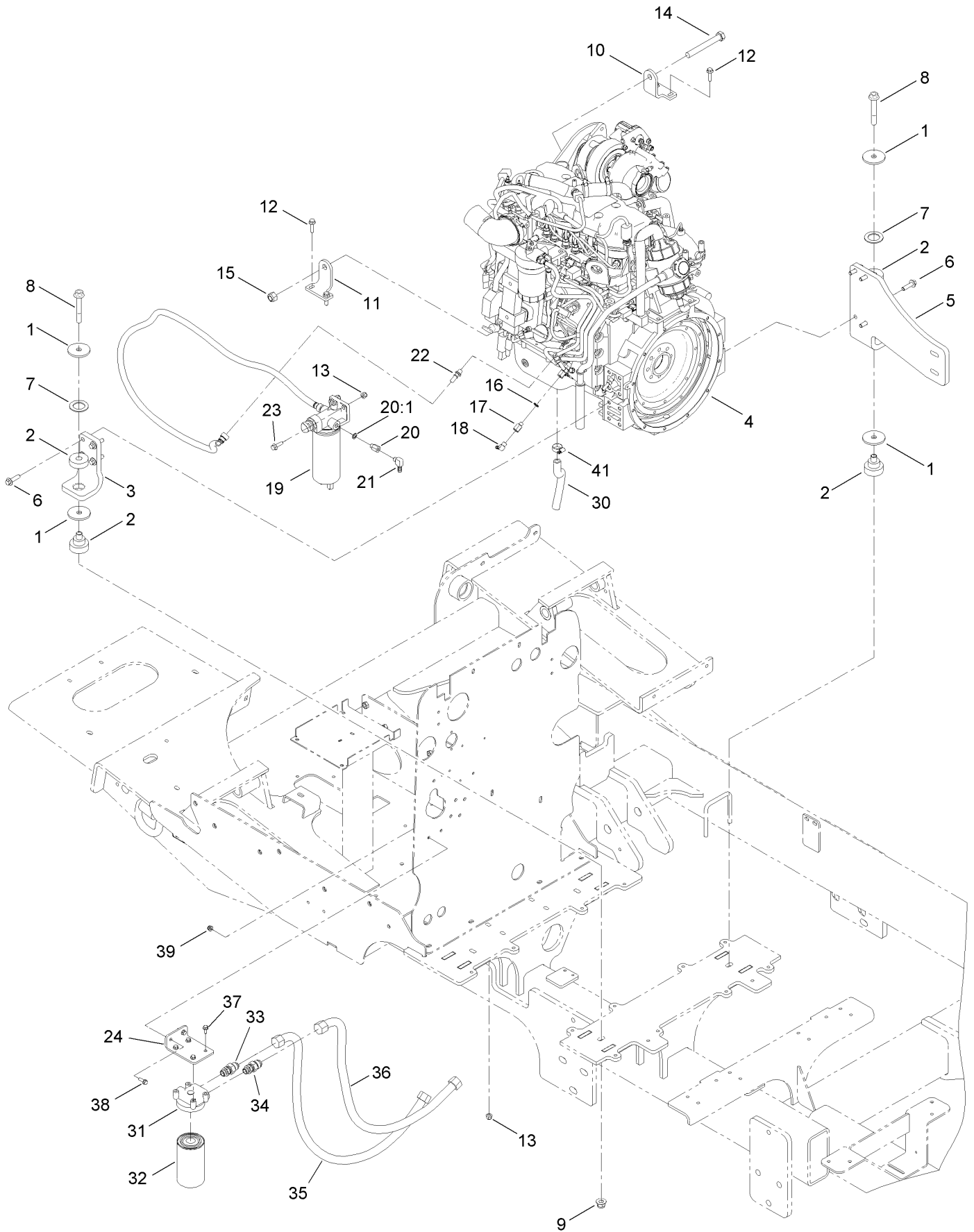
Fuel Tank Assembly No. 121-7535



Fuel Tank Assembly No. 121-7535 (continued)

<i>Ref.</i>	<i>Part Number</i>	<i>Qty.</i>	<i>Description</i>	<i>Ref.</i>	<i>Part Number</i>	<i>Qty.</i>	<i>Description</i>
2	AU119908	1	Plug-Hex, Magnetic	7	3273-26	5	Screw-HSH
3	127-3870	1	Fitting-Elbow, 90	9	3253-17	5	Washer-Lock
4	AU217-151	1	Stem-Straight, Bead	10	125-9088	1	Fitting-Elbow, 90
5	AU528359R4	1	Gasket-Sending Unit	11	115-1447	1	Fitting-Straight
6	AU117631	1	Sender-Fuel				

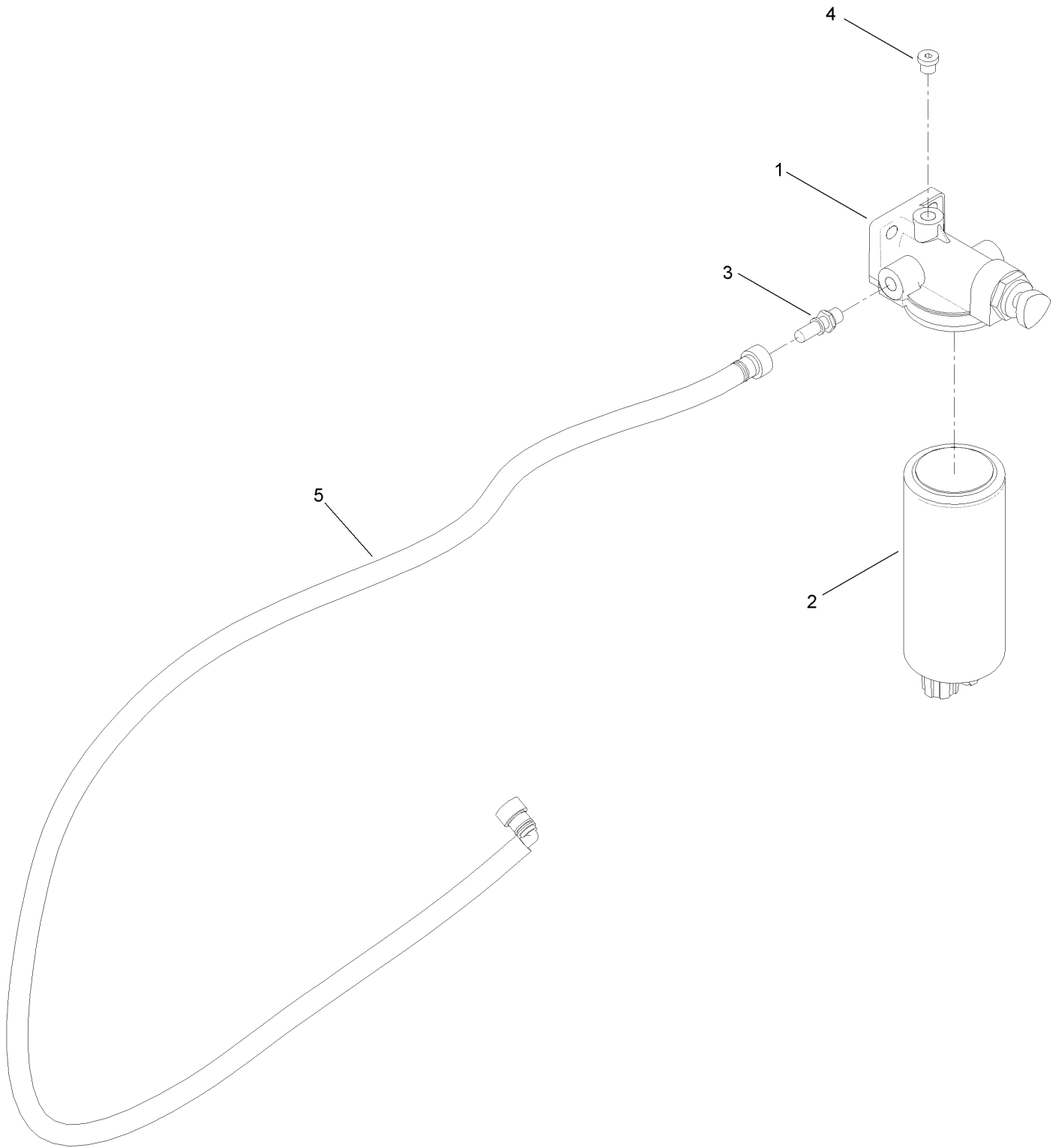
Engine Assembly



Engine Assembly (continued)

<i>Ref.</i>	<i>Part Number</i>	<i>Qty.</i>	<i>Description</i>	<i>Ref.</i>	<i>Part Number</i>	<i>Qty.</i>	<i>Description</i>
1	AU119802	4	Washer	19	127-5254	1	Fuel Filter ASM
2	AU117690	2	Isolator-Mount, Universal	20	AU123748	1	Fitting-Reducer
3	AU116259-03	1	Mount-Engine, Front (RH)	20:1	AU121717	1	Seal-Fitting, Fuel
4	AU129519	1	Engine-Qsb4, Tier 4l	21	127-3870	1	Fitting-Elbow, 90
5	AU117688-03	1	Mount-Engine, Front (LH)	22	127-5252	1	Fitting-Fuel
6	AU100347	8	Screw-HHF	23	33105-035	2	Screw-HHF
7	AU117984	2	Spacer-Isolator	24	AU130496-03	1	Plate-Mounting, Filter
8	AU100368	2	Screw-Flange	30	AU122422	1	Hose-Drain, Oil
9	AU100529	2	Nut-HHF	31	127-0881	1	Head-Filter, Oil
10	AU130260-03	1	Mount-Engine	32	127-0880	1	Filter-Oil
11	AU130261-03	1	Mount-Engine	33	127-0882	1	Fitting-Oil
12	33105-040	4	Screw-HHF	34	127-0883	1	Fitting-Oil
13	103-9511	6	Nut-Lock, NI	35	127-0884	1	Hose-Oil
14	AU426-1296	1	Screw-HH	36	127-0885	1	Hose-Oil
15	120-7252	1	Nut-Lock	37	33104-020	4	Screw-HHF
16	AU121717	1	Seal-Fitting, Fuel	38	33104-025	2	Screw-HHF
17	AU120770	1	Fitting-Reducer	39	104-3082	2	Nut-Lock, HHF
18	354-93	1	Fitting-Elbow, 90	41	2412-129	1	Clamp-Hose

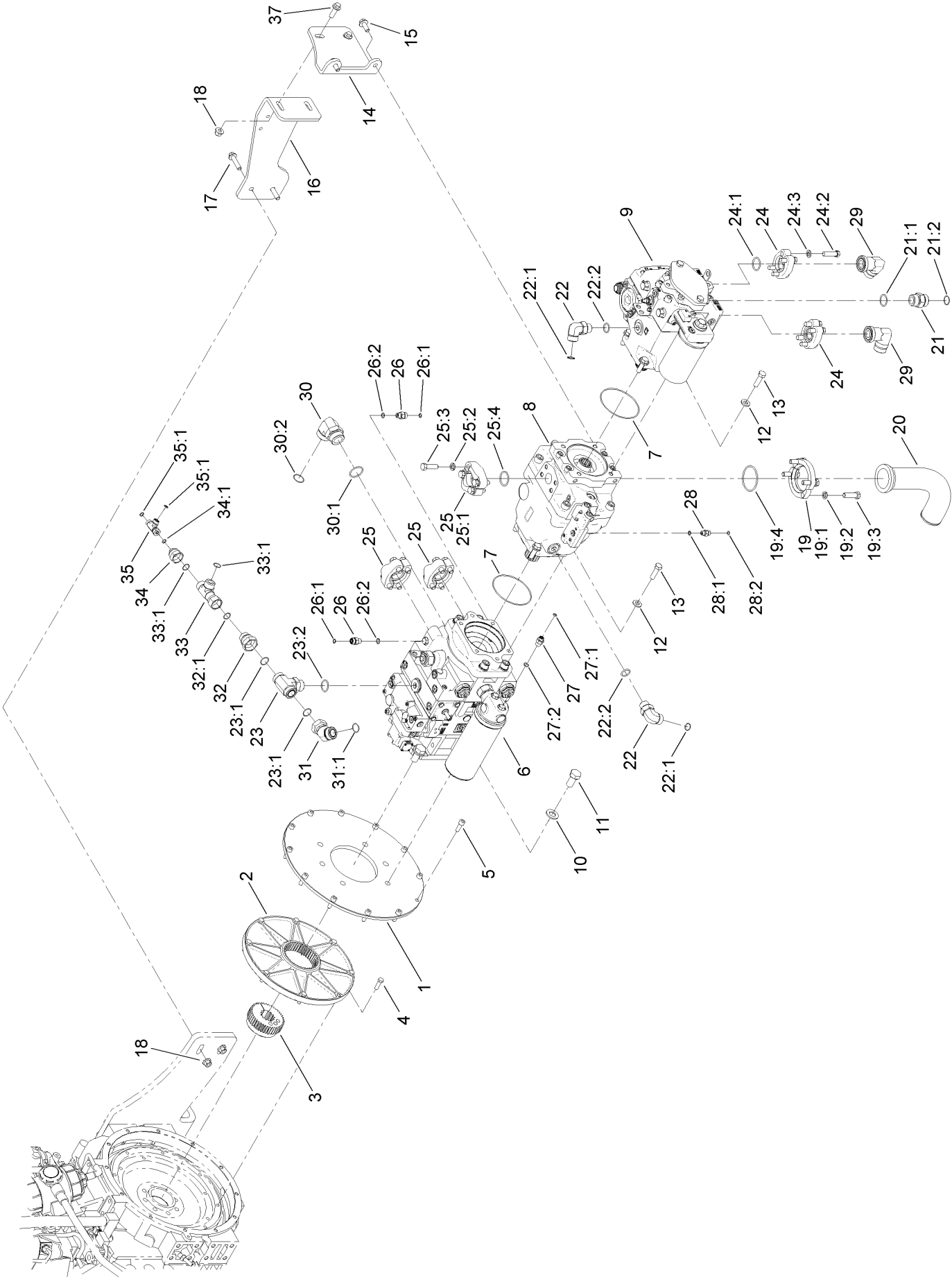
Fuel Filter Assembly No. 127-5254



Fuel Filter Assembly No. 127-5254 (continued)

<i>Ref.</i>	<i>Part Number</i>	<i>Qty.</i>	<i>Description</i>	<i>Ref.</i>	<i>Part Number</i>	<i>Qty.</i>	<i>Description</i>
1	127-5250	1	Head-Filter, Fuel	4	127-5253	1	Plug
2	127-5251	1	Filter-Fuel	5	121-7531	1	Hose ASM
3	127-5252	1	Fitting-Fuel				

Hydraulic Pump Assembly

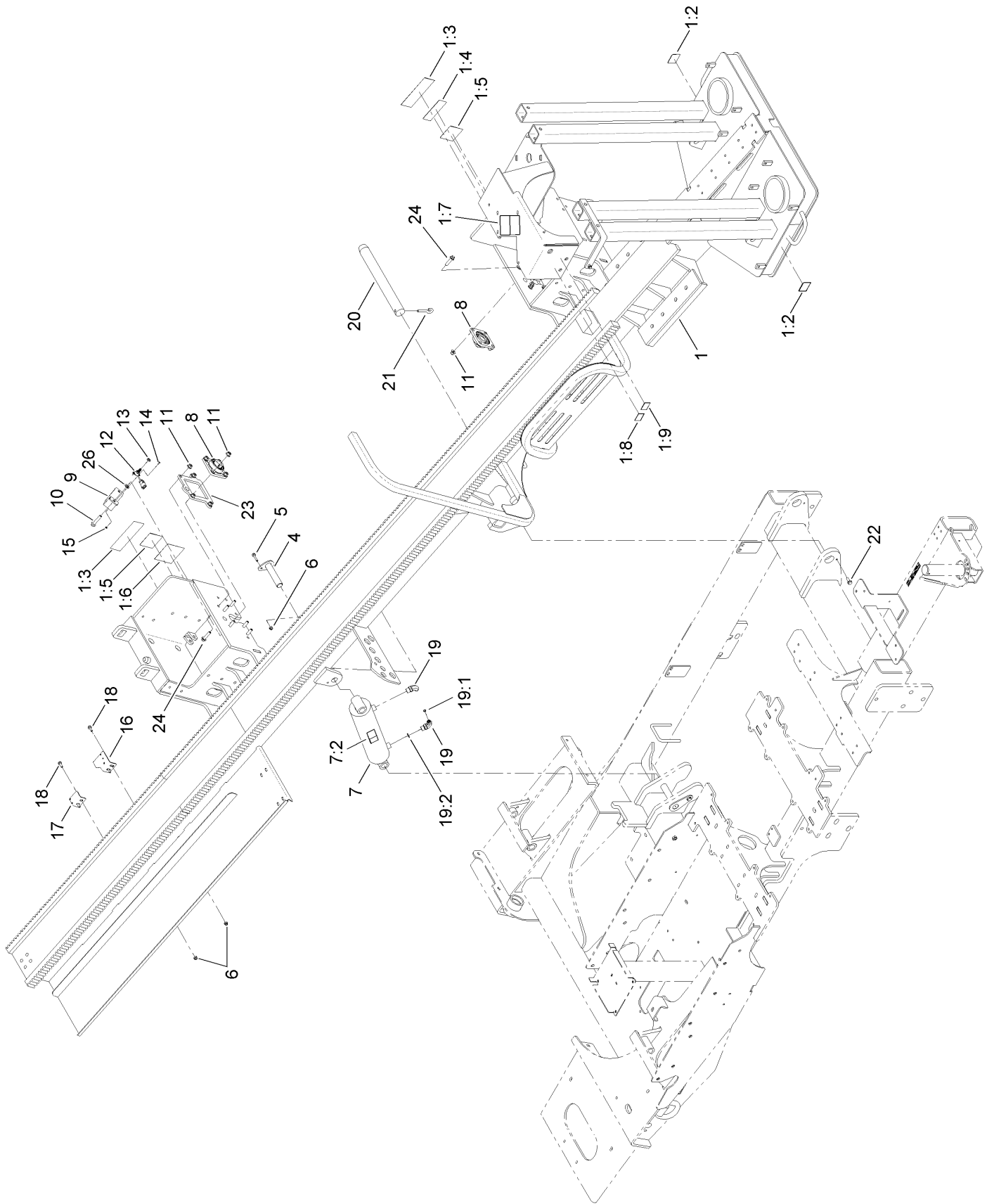


Hydraulic Pump Assembly (continued)

<i>Ref.</i>	<i>Part Number</i>	<i>Qty.</i>	<i>Description</i>	<i>Ref.</i>	<i>Part Number</i>	<i>Qty.</i>	<i>Description</i>
1	AU116050	1	Plate-Mount, Pump	24	121-3903	2	Flange Kit
2	AU8PD92006	1	Coupling-Drive, Nylon	24:1	121-3904	1	O-Ring
3	AU8PD92007	1	Hub-Steel, 13T	24:2	33116-045	4	Screw-HH
4	323-44	8	Screw-HH	24:3	48-8070	4	Washer-Lock
5	AU862-10030	12	Screw-HSH	25	AU8TS46220	3	Split Flange Kit
6	AU116307	1	Rotary Pump ASM	25:1		2	Flange-Half ●
7	AU70-9004104-158	2	Seal-O Ring	25:2	3253-7	4	Washer-Lock
8	AU116306	1	Load-Sense Pump ASM	25:3	325-7	4	Screw-HH
9	AU116314	1	Hydrostat Pump ASM	25:4	115-5420	1	O-Ring
10	AU496-11081	4	Washer	26	340-2	2	Fitting-HYD, Straight
11	AU426-1224	4	Bolt	26:1	237-22	1	O-Ring
12	AU496-21053	8	Washer-Flat (Hardened)	26:2	237-42	1	O-Ring
13	121-1524	8	Screw-HH	27	340-1	1	Fitting-HYD, Straight
14	AU116261-03	1	Bracket-Mounting, Pump	27:1	237-21	1	O-Ring
15	33106-030	2	Screw-HHF	27:2	237-42	1	O-Ring
16	AU117689-03	1	Bracket-Mounting, Center	28	340-92	1	Fitting-HYD, Straight
17	33106-050	2	Screw-HHF	28:1	237-78	1	O-Ring
18	115-1115	4	Nut-Lock, HHF	28:2	237-21	1	O-Ring
19	AU91-FF593-40	1	Split Flange Kit	29	AU126488	2	Elbow-90
19:1		2	Flange ●	30	340-52	1	Fitting-Elbow, 90
19:2	3253-7	4	Washer-Lock	30:1	237-101	1	O-Ring
19:3	121-1524	4	Screw-HH	30:2	340-64	1	O-Ring
19:4	127-0980	1	O-Ring	31	AU8OE81616	1	Fitting-Elbow, 45
20	AU121324	1	Tube-Bent	31:1	340-65	1	O-Ring
21	104-3797	1	Fitting-HYD, Straight	32	AU8OA81216	1	Fitting-Reducer
21:1	237-146	1	O-Ring	32:1	237-58	1	O-Ring
21:2	340-65	1	O-Ring	33	AU8OR81212	1	Fitting-Tee
22	340-142	2	Fitting-HYD, 90 DEG	33:1	237-58	2	O-Ring
22:1	237-58	1	O-Ring	34	AU8OA80612	1	Fitting-Reducer
22:2	237-81	1	O-Ring	34:1	237-22	1	O-Ring
23	104-7501	1	Fitting-HYD	35	340-115	1	Fitting-Tee, Swivel Nut
23:1	340-65	2	O-Ring	35:1	237-22	2	O-Ring
23:2	237-146	1	O-Ring	37	33106-040	2	Screw-HHF

● Not serviced separately

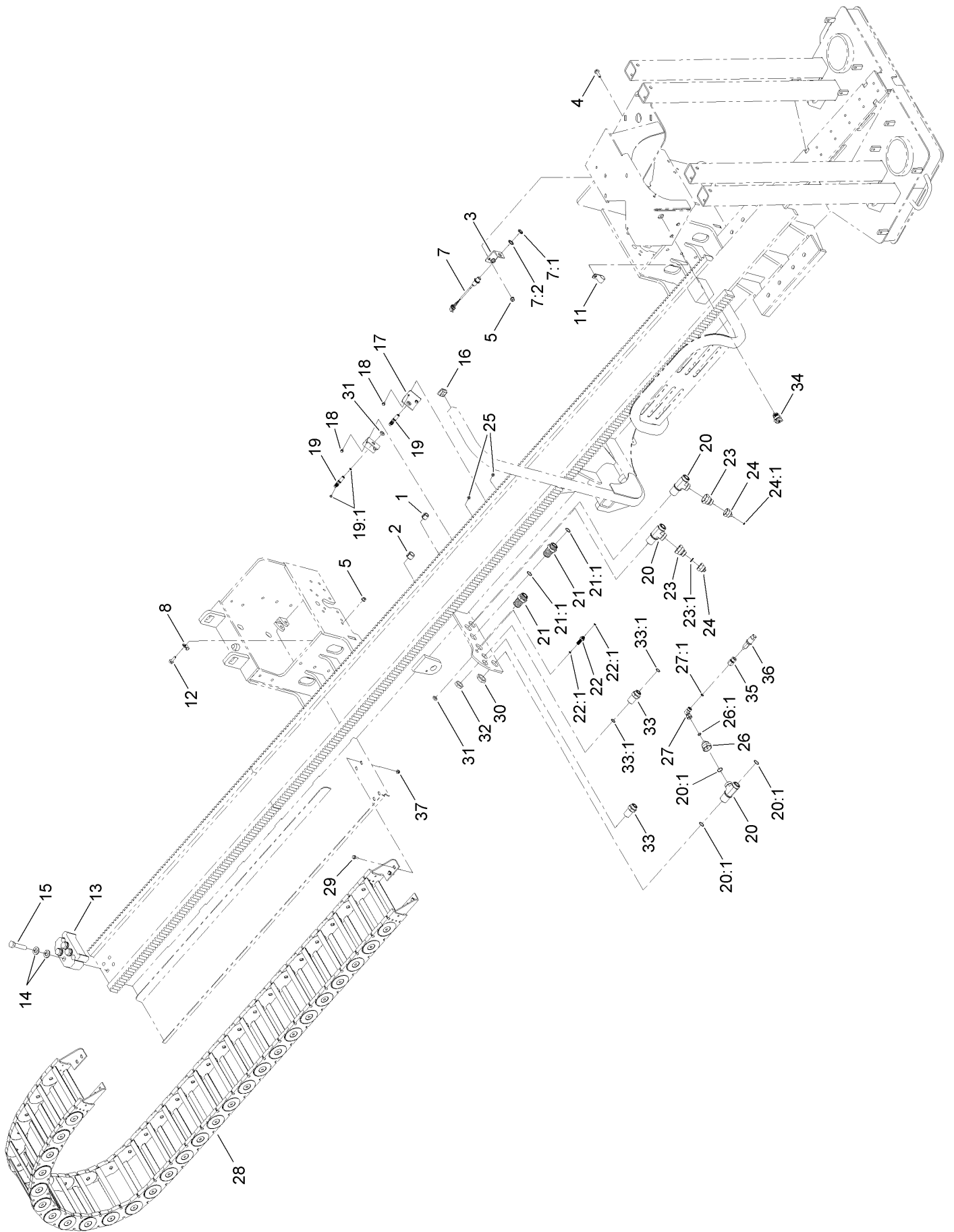
Thrust Frame Assembly



Thrust Frame Assembly (continued)

<i>Ref.</i>	<i>Part Number</i>	<i>Qty.</i>	<i>Description</i>	<i>Ref.</i>	<i>Part Number</i>	<i>Qty.</i>	<i>Description</i>
1	127-0931	1	Thrust Frame ASM	10	33106-060	2	Screw-HHF
1:2	125-6694	2	Decal-Tie Down	11	115-1115	16	Nut-Lock, HHF
1:3	125-6130	2	Decal-Danger, Hazardous Area	12	130-4461	1	Sensor-Rotary
1:4	125-6128	1	Decal-Warning, Hydraulic Pressure	13	112-8617	1	Nut-Hex
1:5	125-6107	2	Decal-Warning, Crushing	14	AU440-1088	2	Screw
1:6	125-6109	1	Decal-Danger, Shock	15	32149-9	2	Nut-Hex, Keps
1:7	125-6111	1	Decal-Stakedown Set Up	16	AU122460-03	2	Plate-Mount, Proximity Switch
1:8	125-6123	1	Decal-Pipe Return, Clear	17	AU122537-03	1	Plate-Mount, Switch
1:9	125-6124	1	Decal-Pipe Breakout, Clear	18	33104-025	6	Screw-HHF
4	AU117944	1	Pin-Pivot	19	340-130	2	Fitting-Elbow, 90
5	33104-040	1	Screw-HHF	19:1	237-22	1	O-Ring
6	104-3082	7	Nut-Lock, HHF	19:2	237-80	1	O-Ring
7	127-0933	1	Lift Cylinder ASM	20	AU118521	1	Pin-Pivot, Main
7:2	125-6115	1	Decal-Caution, Cylinder Lock	21	AUH313981	1	Pin-Retainer
8	AU121325	2	Bearing-Flanged Y, Square	22	33105-030	1	Screw-HHF
9	AU124265-03	1	Plate-Mounting	23	125-6511-03	2	Plate-Support, Bearing
				24	33106-050	14	Screw-HHF
				26	33096-00	2	Washer-Flat

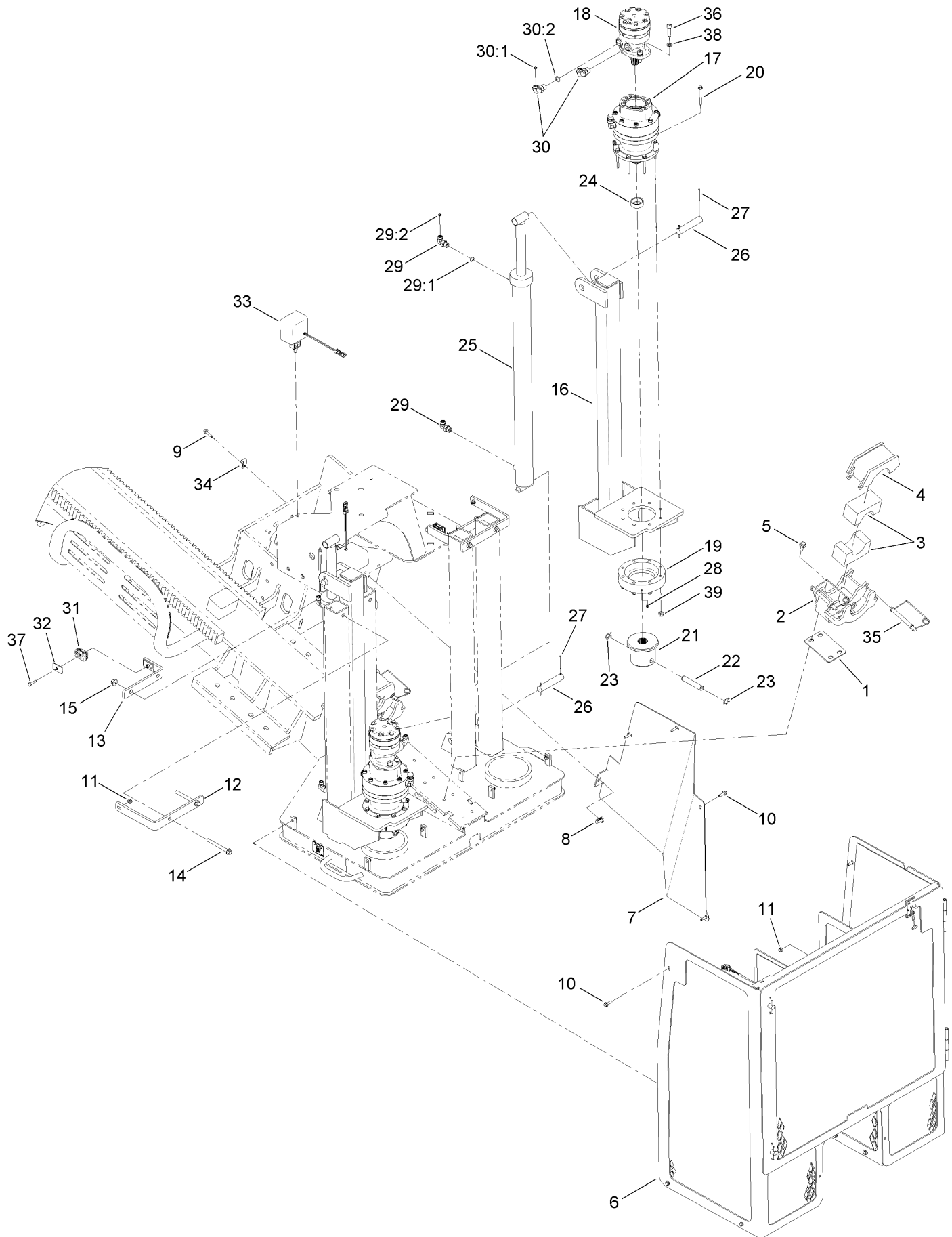
Thrust Frame Hose Carrier Assembly



Thrust Frame Hose Carrier Assembly (continued)

<i>Ref.</i>	<i>Part Number</i>	<i>Qty.</i>	<i>Description</i>	<i>Ref.</i>	<i>Part Number</i>	<i>Qty.</i>	<i>Description</i>
1	AU109676	4	Bushing-Spring	22	94-1444	1	Union-Bulkhead
2	AU125808	2	Bushing-Spring	22:1	237-21	2	O-Ring
3	121-7532	1	Bracket-Switch	23	AU8OA81216	2	Fitting-Reducer
4	33105-035	2	Screw-HHF	23:1	237-58	1	O-Ring
5	103-9511	3	Nut-Lock, NI	24	AU8OA80412	2	Fitting-Reducer
7	115-5300	1	Proximity Switch ASM	24:1	237-21	1	O-Ring
7:1	117-3207	2	Nut-Hex	25	81-0130	4	Nut-Flange, NI
7:2	117-3208	2	Washer-Lock, Internal Tooth	26	AU8OA80816	1	Fitting-Reducer
8	2412-138	1	R-Clamp	26:1	237-30	1	O-Ring
11	2412-71	1	Clamp-R	27	94-6031	1	Fitting-HYD
12	33105-030	1	Screw-HHF	27:1	237-30	1	O-Ring
13	AU32GB2011-03	1	Stop-Carriage, Rear Frame	28	AU119010	1	Carrier-Hose, 36 Links
14	AU496-11081	8	Washer	29	33104-025	4	Screw-HHF
15	AU426-1256	4	Screw-HH	30	340-128	5	Nut-Bulkhead
16	AU8PP92001	1	Cap-Square, Plastic	31	340-78	3	Nut-Lock
17	AU124863-03	2	Plate-Mount	32	340-126	2	Nut-Bulkhead
18	33103-020	4	Screw-HHF	33	94-2637	2	Fitting-HYD
19	AU8OR90404	2	Fitting-Tee	33:1	237-58	2	O-Ring
19:1	237-21	3	O-Ring	34	109-9376	1	Receptacle-12V
20	AU8OR91616	3	Fitting-Tee, Bulkhead	35	127-0887	1	Fitting-Straight
20:1	340-65	3	O-Ring	36	125-6578	1	Transducer-6000 Psi (W/Isolator)
21	106-0060	2	Adapter-HYD	37	104-3082	4	Nut-Lock, HHF
21:1	340-65	2	O-Ring				

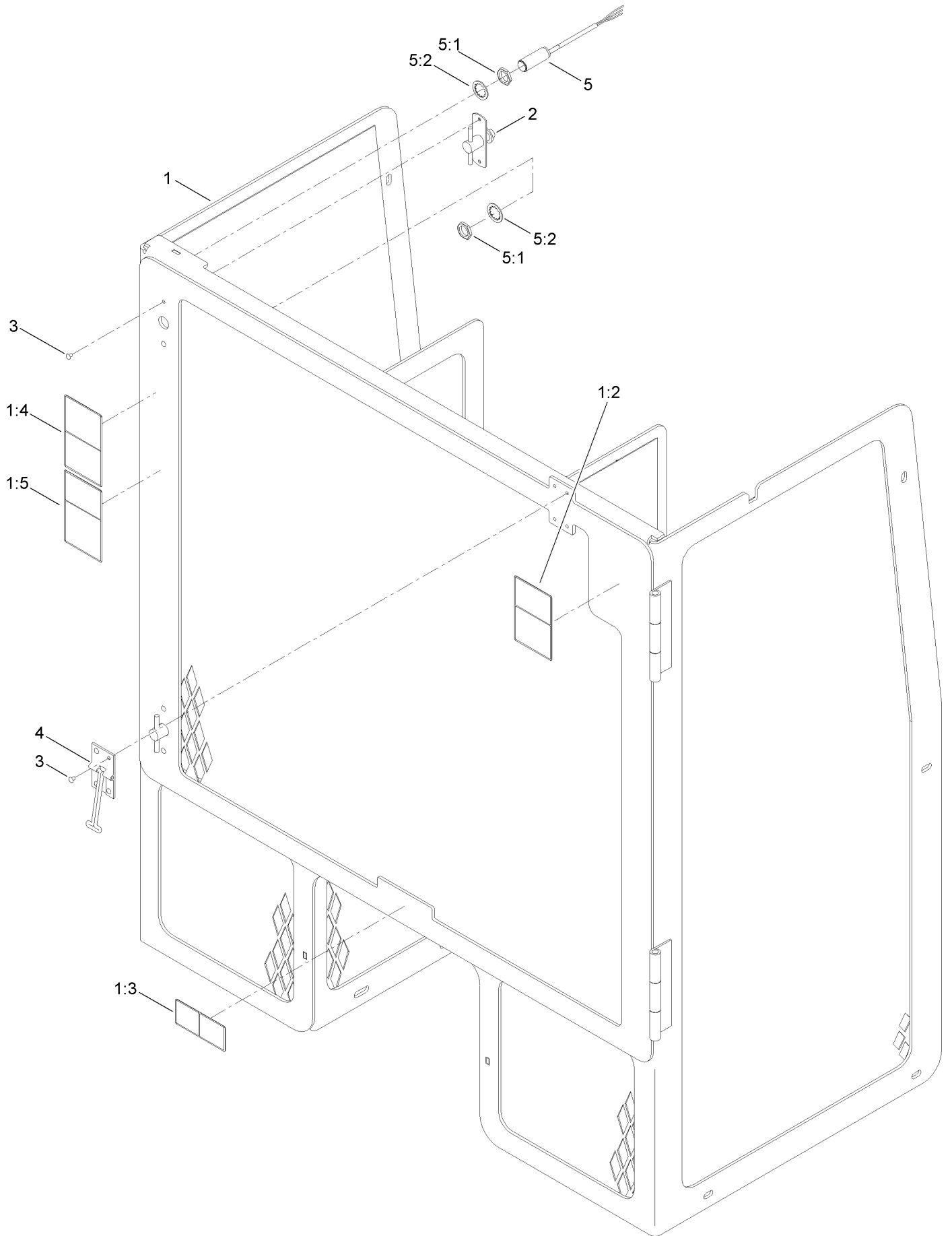
Planetary, Rod Guide and Stakedown Cage Assembly



Planetary, Rod Guide and Stakedown Cage Assembly (continued)

<i>Ref.</i>	<i>Part Number</i>	<i>Qty.</i>	<i>Description</i>	<i>Ref.</i>	<i>Part Number</i>	<i>Qty.</i>	<i>Description</i>
1	AU123409	2	Plate-Shim, Bushing Guide	23	AU8SR16001	4	Ring-Retaining, E-Type
2	AU115589-03	2	Guide-Rod, Lower	24	AU32GB7509-03	2	Spacer-Tube
3	AU119095	4	Bushing-Guide, Rod	25	AU8HC25036	2	HYD Cylinder ASM
4	AU115588-03	2	Guide-Rod, Upper	26	AU32GB7522	4	Pin-Bar
5	33106-030	8	Screw-HHF	27	3272-15	8	Pin-Cotter
6	125-6512	1	Stakedown Cage ASM	28	302-57	2	Fitting-Grease
7	AU122462-03	1	Plate-Guard	29	340-18	4	Fitting-HYD, 90 DEG
8	AU100862	3	Nut-U	29:1	237-79	1	O-Ring
9	33104-035	3	Screw-HHF	29:2	237-22	1	O-Ring
10	33104-030	11	Screw-HHF	30	340-130	4	Fitting-Elbow, 90
11	104-3082	11	Nut-Lock, HHF	30:1	237-22	1	O-Ring
12	AU124995-03	2	Plate-Mount, Stakedown	30:2	237-80	1	O-Ring
13	AU122788-03	2	Bracket ASM	31	AU8CL21704	2	Clamp-Half (Set Of 2)
14	AU100357	4	Screw-HHF	32	AU8CL21201	2	Plate-Cover, Twin
15	115-1115	4	Nut-Lock, HHF	33	122-0144	2	Work Light ASM
16	125-6520-03	2	Stakedown	34	2412-138	1	R-Clamp
17	AU8GB80063	2	Planetary Gearbox ASM	35	127-0897	4	Pin-Lynch
18	AU8HM24048	2	HYD Motor ASM	36	AU864-12040	8	Screw-HSH
19	AU32GB7527-03	2	Retainer	37	322-6	2	Screw-HH
20	33104-080	16	Screw-HHF	38	3253-7	8	Washer-Lock
21	AU32GB7526-03	2	Coupler-Auger Drive, Stakedown	39	103-9511	16	Nut-Lock, NI
22	AU32GB7507	2	Pin-Bar, Auger Coupler				

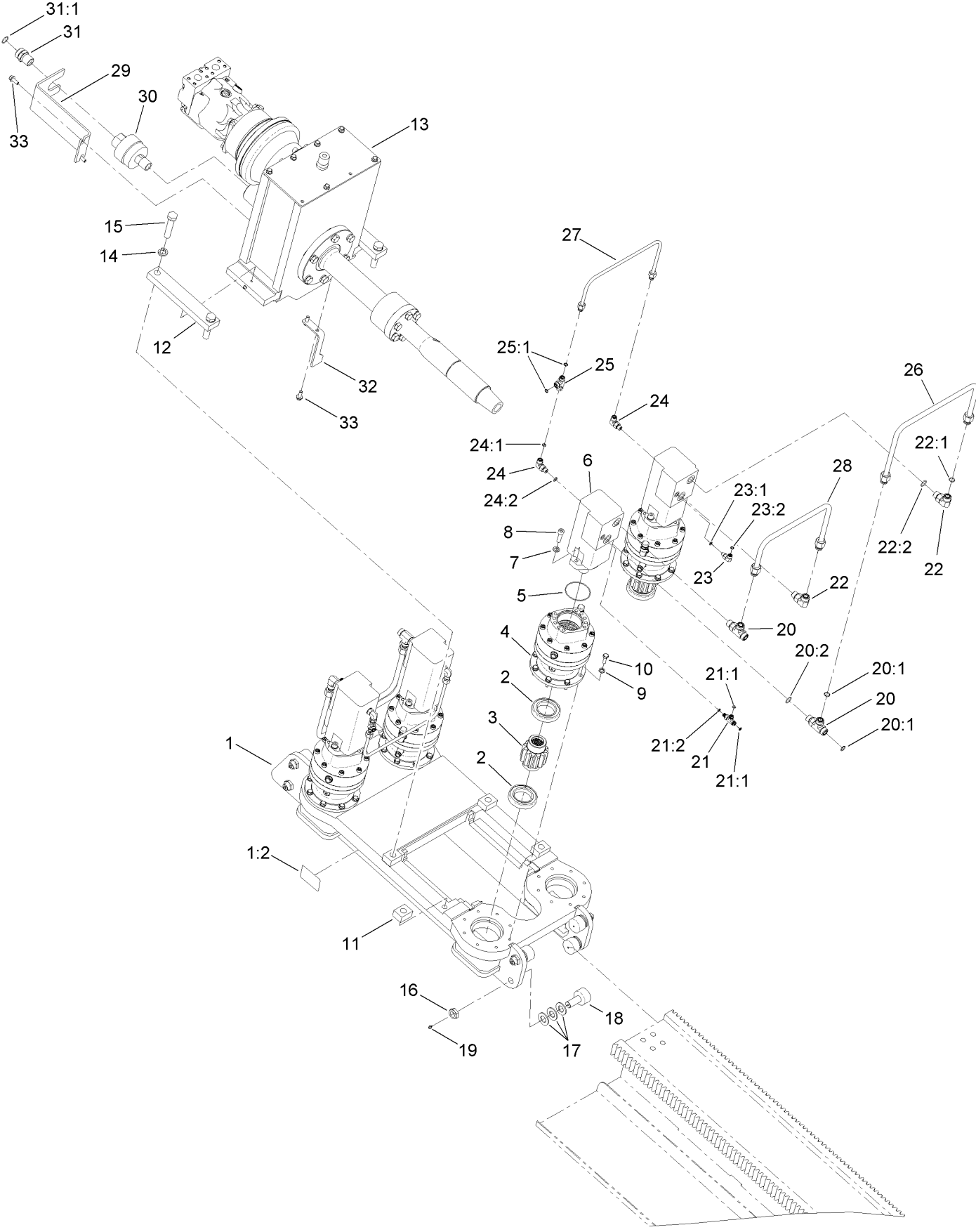
Stakedown Cage Assembly No. 125-6512



Stakedown Cage Assembly No. 125-6512 (continued)

<i>Ref.</i>	<i>Part Number</i>	<i>Qty.</i>	<i>Description</i>	<i>Ref.</i>	<i>Part Number</i>	<i>Qty.</i>	<i>Description</i>
1	127-0875	1	Stakedown Cage ASM	2	AUL102515	2	Latch
1:2	125-6131	2	Decal-Danger, Hazardous Area	3	1-803035	8	Rivet-Pop
1:3	125-6119	1	Decal-Danger, Entanglement	4	AU114618	1	Latch-Retaining
1:4	125-6126	1	Decal-Warning, Entanglement	5	115-5300	1	Proximity Switch ASM
1:5	125-6114	1	Decal-Danger, Impact Hazard	5:1	117-3207	2	Nut-Hex
				5:2	117-3208	2	Washer-Lock, Internal Tooth

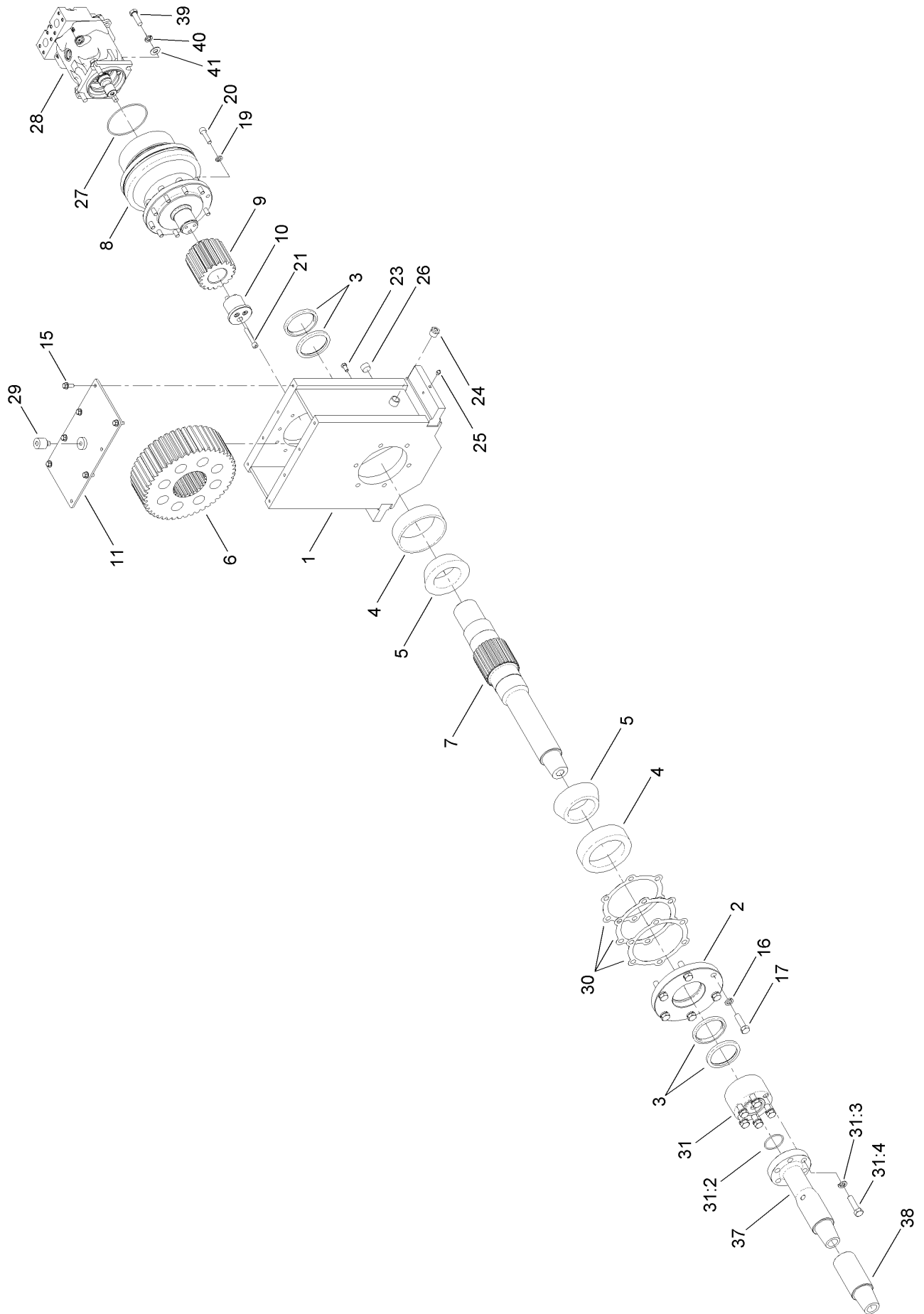
Carriage and Rotary Assembly



Carriage and Rotary Assembly (continued)

<i>Ref.</i>	<i>Part Number</i>	<i>Qty.</i>	<i>Description</i>	<i>Ref.</i>	<i>Part Number</i>	<i>Qty.</i>	<i>Description</i>
1	127-0934	1	Carriage ASM	21:2	237-78	1	O-Ring
1:2	125-6110	2	Decal-Danger, Crushing	22	340-17	4	Fitting-HYD, 90 DEG
2	AU8CF40005	8	Bearing-Ball, Radial	22:1	237-65	1	O-Ring
3	AU32GB4020	4	Pinion-Drive, Carriage	22:2	237-80	1	O-Ring
4	AU8GB80063	4	Planetary Gearbox ASM	23	340-132	2	Fitting-HYD, 90 DEG
5	AU8HS51152	4	O-Ring	23:1	237-78	1	O-Ring
6	AU115604	4	HYD Motor ASM	23:2	237-21	1	O-Ring
7	3253-7	8	Washer-Lock	24	340-77	4	Fitting-HYD, 90 DEG
8	AU864-12040	8	Screw-HSH	24:1	237-22	1	O-Ring
9	3253-6	32	Washer-Lock	24:2	237-42	1	O-Ring
10	33115-030	32	Screw-HH	25	340-115	2	Fitting-Tee, Swivel Nut
11	AU32GB4022-03	4	Spacer-Clamp, Carriage	25:1	237-22	2	O-Ring
12	AU32GB4021-03	2	Clamp-Rotary Box, Carriage	26	AU119410	2	Tube-HYD, 5/8 In (Motor To Motor)
13	AU117215	1	Rotary ASM	27	AU119452	2	Tube-HYD, 3/8 In (Case Drain Motor To Motor)
14	3253-9	4	Washer-Lock	28	AU119409	2	Tube-HYD, 5/8 In (Motor To Motor)
15	AU426-1256	4	Screw-HH	29	AU32GB4475-03	1	Bracket-Swivel, Mud
16	3296-60	8	Nut-Lock, NI	30	AU32GB4210	1	Swivel-Mud
17	AU496-11094	24	Washer	31	AU8OA11616	1	Fitting-Straight
18	AU8CF30032	8	Bearing-Follower, Cam	31:1	340-65	1	O-Ring
19	302-63	8	Zerk	32	AU121312-03	1	Plate-Trigger, Proximity
20	340-22	4	Fitting-HYD, Tee	33	3234-42	4	Screw-HHF
20:1	237-65	2	O-Ring				
20:2	237-80	1	O-Ring				
21	340-140	2	Adapter-Tee				
21:1	237-21	2	O-Ring				

Rotary Assembly No. AU117215

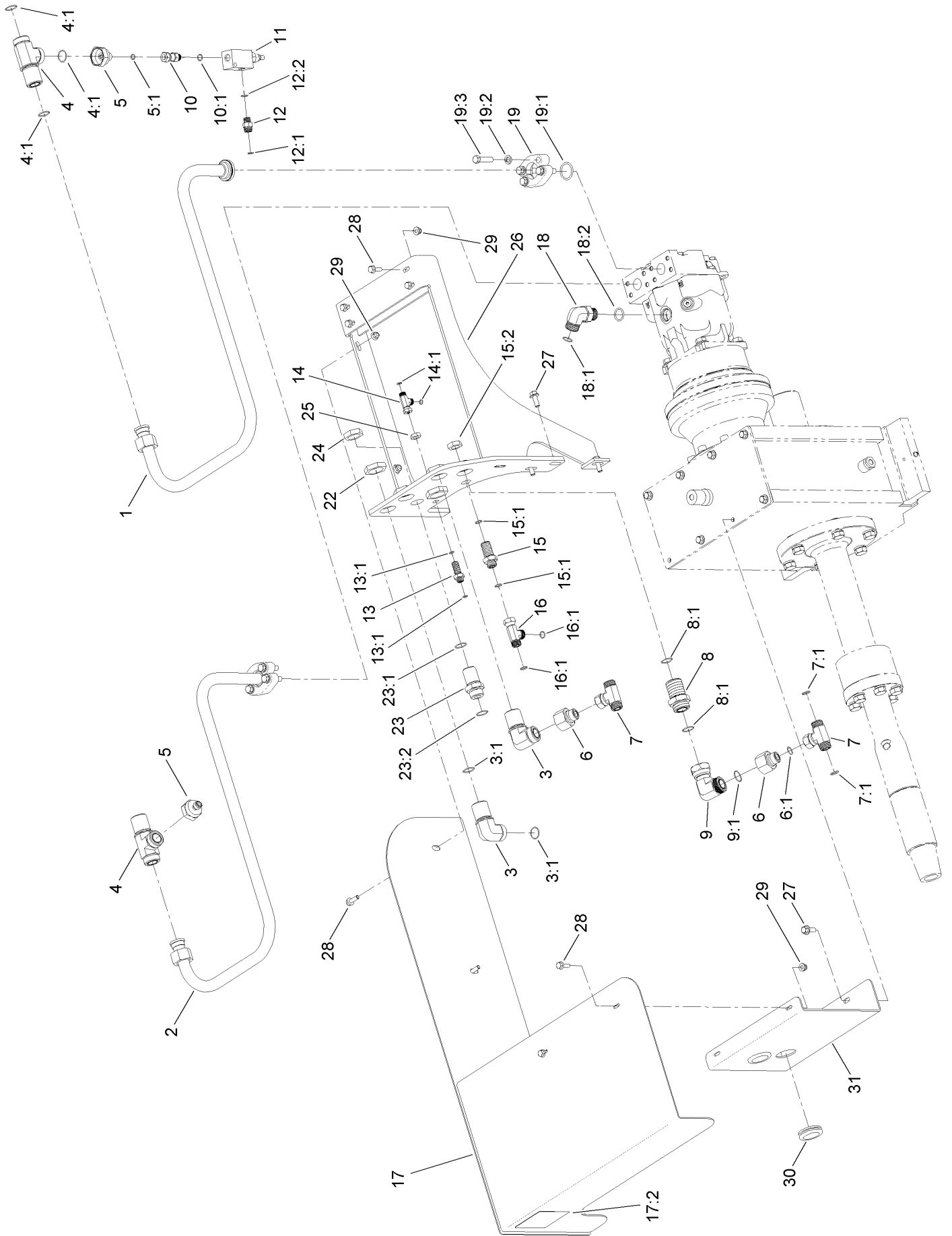


Rotary Assembly No. AU117215 (continued)

<i>Ref.</i>	<i>Part Number</i>	<i>Qty.</i>	<i>Description</i>	<i>Ref.</i>	<i>Part Number</i>	<i>Qty.</i>	<i>Description</i>
1	125-6144	1	Box-Rotary	26	AU8PP75012	1	Plug-Magnetic, Hex
2	AU32GB4412	1	Cap-Bearing, Rotary	27	104-1920	1	O-Ring
3	AU8HS13033	4	Seal-Shaft	28	AU8HM50016	1	HYD Motor ASM
4	AU8CF63007	2	Cup-Bearing	28:1	AU434335A1	1	Seal-Shaft ●
5	AU8CF63008	2	Cone-Bearing	29	AU31543	1	Breather
6	AU32GB4465	1	Gear-Ring, Rotary	30	AU8SM02002	1	Shim-Bearing Adjust (.020In Thick)
7	AU32GB4420	1	Spindle-Rotary	30	AU8SM00502	3	Shim-Bearing Adjust (.005In Thick)
8	AU8GB80064	1	Planetary Gearbox ASM	30	AU8SM00702	2	Shim-Bearing Adjust (.007In Thick)
9	AU32GB4460	1	Pinion-Rotary	31	AU114322	1	Spindle ASM
10	AU32GB4461	1	Cap-Pinion, Rotary	31:2	AU114286	1	O-Ring
11	AU32GB4450	1	Plate-Top, Rotary Box	31:3	69-8420	6	Washer-Lock
15	3234-42	6	Screw-HHF	31:4	AU120624	6	Screw-HH
16	3253-23	6	Washer-Lock/Sp	37	AU119350	1	Adapter-Flange
17	AU8HH51510	6	Screw-HH	38	AU119351	1	Saver ASM
19	3253-7	10	Washer-Lock	39	AU814-14045	4	Screw-HH
20	AU864-12045	10	Screw-HSFH	40	AU892-11014	4	Washer
21	AU8SH95365	3	Screw-HSH	41	69-8980	4	Washer
23	323-4	2	Screw-HH				
24	AU8PP70008	1	Plug-Site Glass				
25	302-52	2	Fitting-Grease				

● Not illustrated

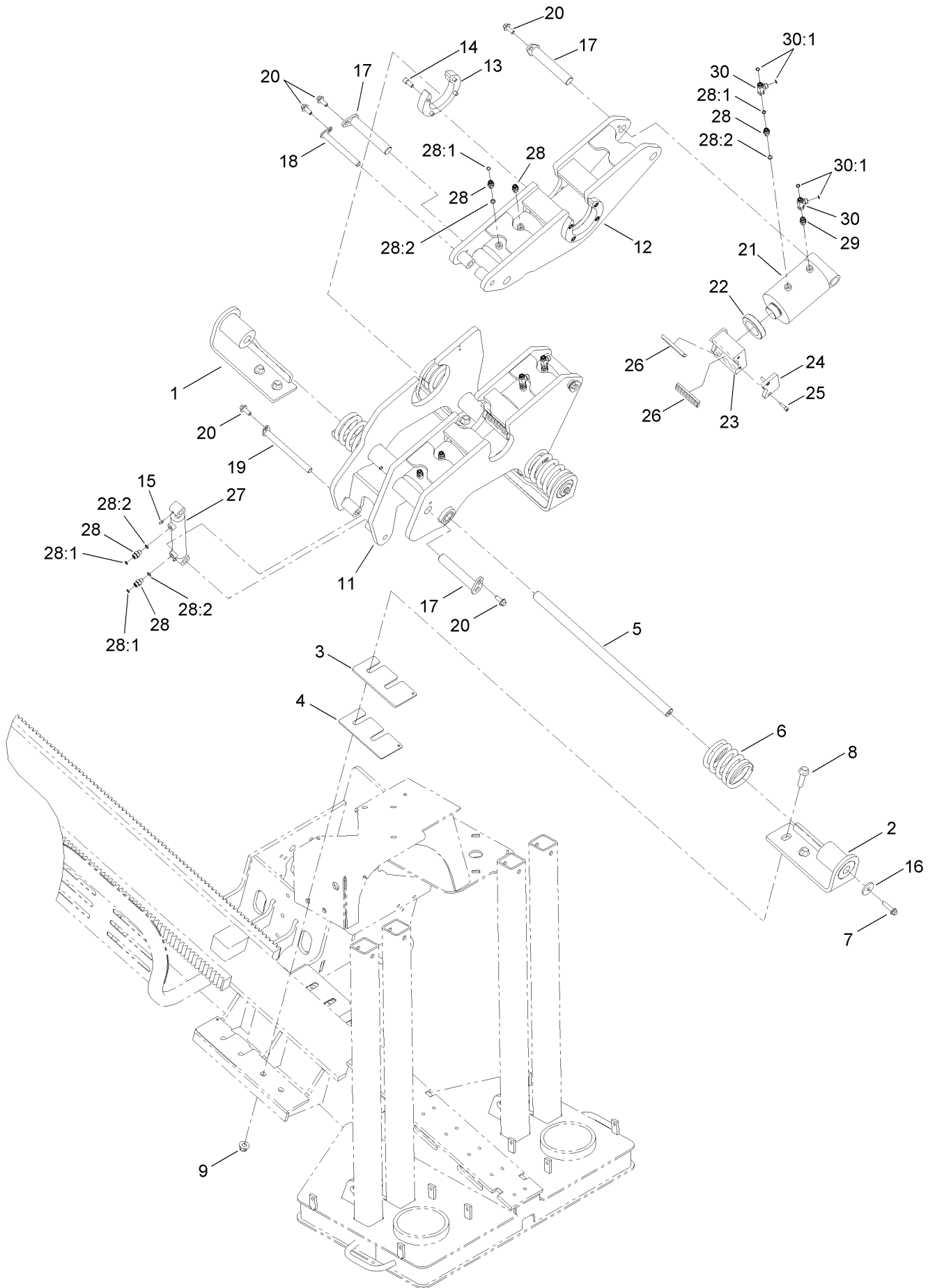
Carriage Guard and Mounting Assembly



Carriage Guard and Mounting Assembly (continued)

<i>Ref.</i>	<i>Part Number</i>	<i>Qty.</i>	<i>Description</i>	<i>Ref.</i>	<i>Part Number</i>	<i>Qty.</i>	<i>Description</i>
1	AU119407	1	Tube-HYD, Rotary B (Bulkhead To Motor)	14:1	237-75	2	O-Ring
2	AU119408	1	Tube-HYD, Rotary A (Bulkhead To Motor)	15	340-161	1	Fitting-Bulkhead
3	AU8OL91616	2	Fitting-Elbow, 90	15:1	237-30	2	O-Ring
3:1	340-65	2	O-Ring	15:2	340-127	1	Nut-Bulkhead
4	AU8OR91616	2	Fitting-Tee, Bulkhead	16	340-104	1	Fitting-HYD, Tee
4:1	340-65	3	O-Ring	16:1	237-30	2	O-Ring
5	AU8OA80616	2	Fitting-Reducer	17	130-4501	1	Carriage Guard ASM
5:1	237-22	1	O-Ring	17:2	125-6107	2	Decal-Warning, Crushing
6	AU8OA81016	2	Fitting-Reducer	18	340-142	1	Fitting-HYD, 90 DEG
6:1	237-65	1	O-Ring	18:1	237-58	1	O-Ring
7	340-167	2	Fitting-HYD, Tee	18:2	237-81	1	O-Ring
7:1	237-65	2	O-Ring	19	AU114285A1	2	HYD Flange Kit
8	106-0060	1	Adapter-HYD	19:1	121-3904	1	O-Ring
8:1	340-65	2	O-Ring	19:2	3253-6	4	Washer-Lock
9	92-7645	1	Fitting-Swivel, 90 DEG	19:3	AU113-372	4	Screw-HH
9:1	340-65	1	O-Ring	22	340-128	5	Nut-Bulkhead
10	104-3779	1	Connector-Swivel, Straight	23	AU8OA91212	1	Fitting-Straight
10:1	237-42	1	O-Ring	23:1	237-58	1	O-Ring
11	AU8HV61011	1	Valve-Relief, Pressure	23:2	237-81	1	O-Ring
12	340-2	1	Fitting-HYD, Straight	24	340-126	1	Nut-Bulkhead
12:1	237-22	1	O-Ring	25	340-78	1	Nut-Lock
12:2	237-42	1	O-Ring	26	AU118010-03	1	Mount-Hose Carrier, Rotary
13	94-1444	1	Union-Bulkhead	27	3234-42	5	Screw-HHF
13:1	237-21	2	O-Ring	28	33104-025	8	Screw-HHF
14	340-151	1	Fitting-HYD	29	104-3082	8	Nut-Lock, HHF
				30	103-7706	2	Grommet
				31	AU119009-03	1	Plate-Support, Guard

Front Wrench Assembly

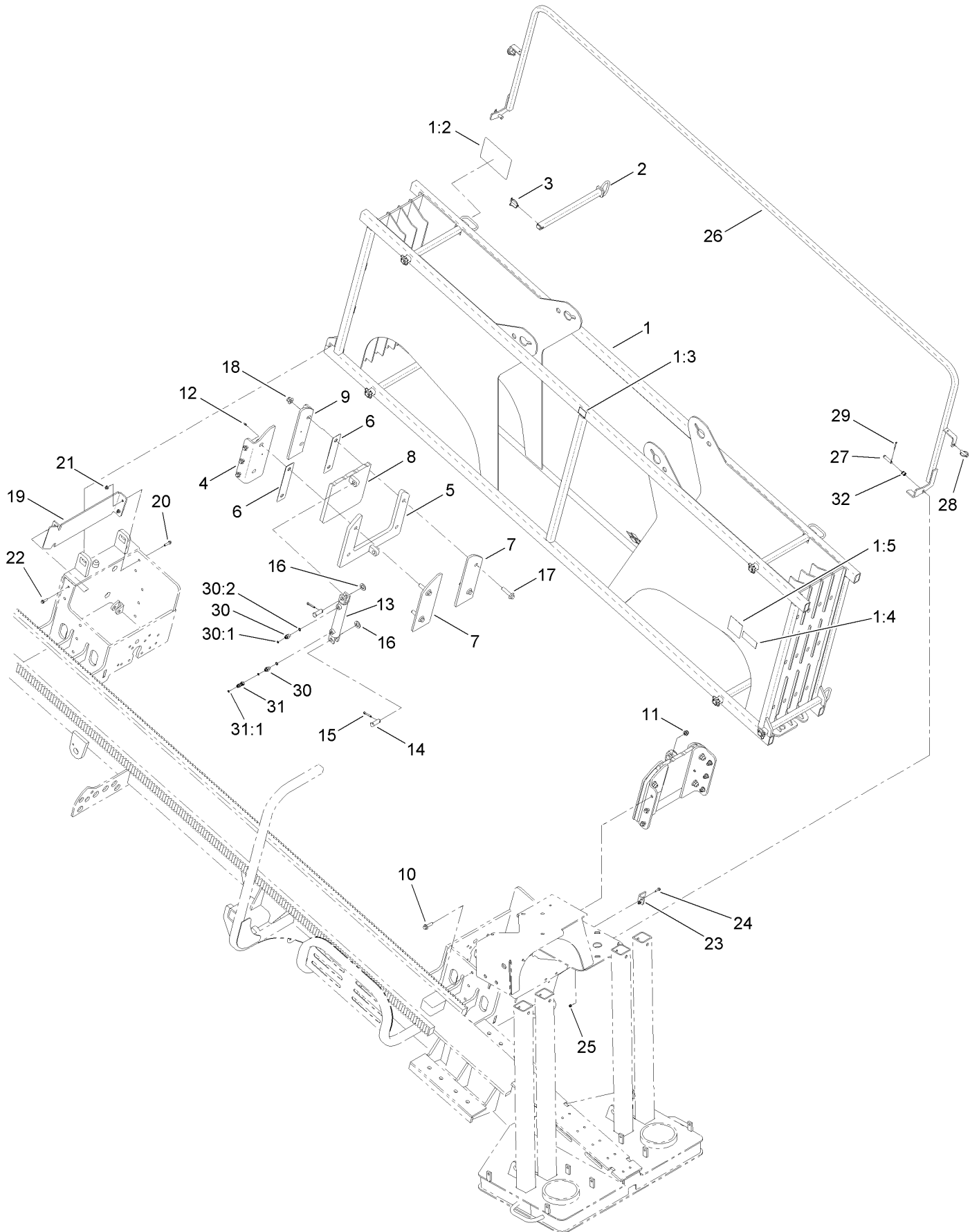


Front Wrench Assembly (continued)

<i>Ref.</i>	<i>Part Number</i>	<i>Qty.</i>	<i>Description</i>	<i>Ref.</i>	<i>Part Number</i>	<i>Qty.</i>	<i>Description</i>
1	AU123857-03	2	Bracket-Mounting, Wrench	19	AU32GB6226	1	Pin-Retaining
2	AU123858-03	2	Bracket-Mounting, Wrench	20	33106-030	6	Screw-HHF
3	AU123875-03	4	Shim-Plate, Wrench	21	AU116939	4	HYD Cylinder ASM
4	AU123846-03	4	Shim-Plate, Wrench	21:1	AU118200	1	Seal Kit ●
5	AU123860	2	Pin-Wrench	22	AU32GB6010-03	4	Bushing-Cylinder
6	AU123859	4	Spring-Compression	23	AU119049	4	Holder-Die, Wrench
7	AU100348	4	Screw-HHF	24	AU119046-03	8	Retainer-Die, Wrench
8	AU100364	8	Screw-Flange	25	98-5828	16	Screw-HSH
9	AU100529	8	Nut-HHF	26	AU305643	8	Tong-Die
11	130-4505-03	1	Front Wrench ASM	27	AU8HC10007	1	HYD Cylinder ASM
12	125-6514-03	1	Rear-Wrench	28	340-2	8	Fitting-HYD, Straight
13	AU119038-03	2	Guide-Wrench	28:1	237-22	1	O-Ring
14	93-8752	8	Screw-HSH	28:2	237-42	1	O-Ring
15	302-57	6	Fitting-Grease	29	AU126449	2	Fitting-Orifice
16	AU495-81269	4	Washer-Flat	30	340-115	4	Fitting-Tee, Swivel Nut
17	AU119056	4	Pin-W/Flag	30:1	237-22	2	O-Ring
18	AU32GB6225	1	Pin-Retainng				

● Not illustrated

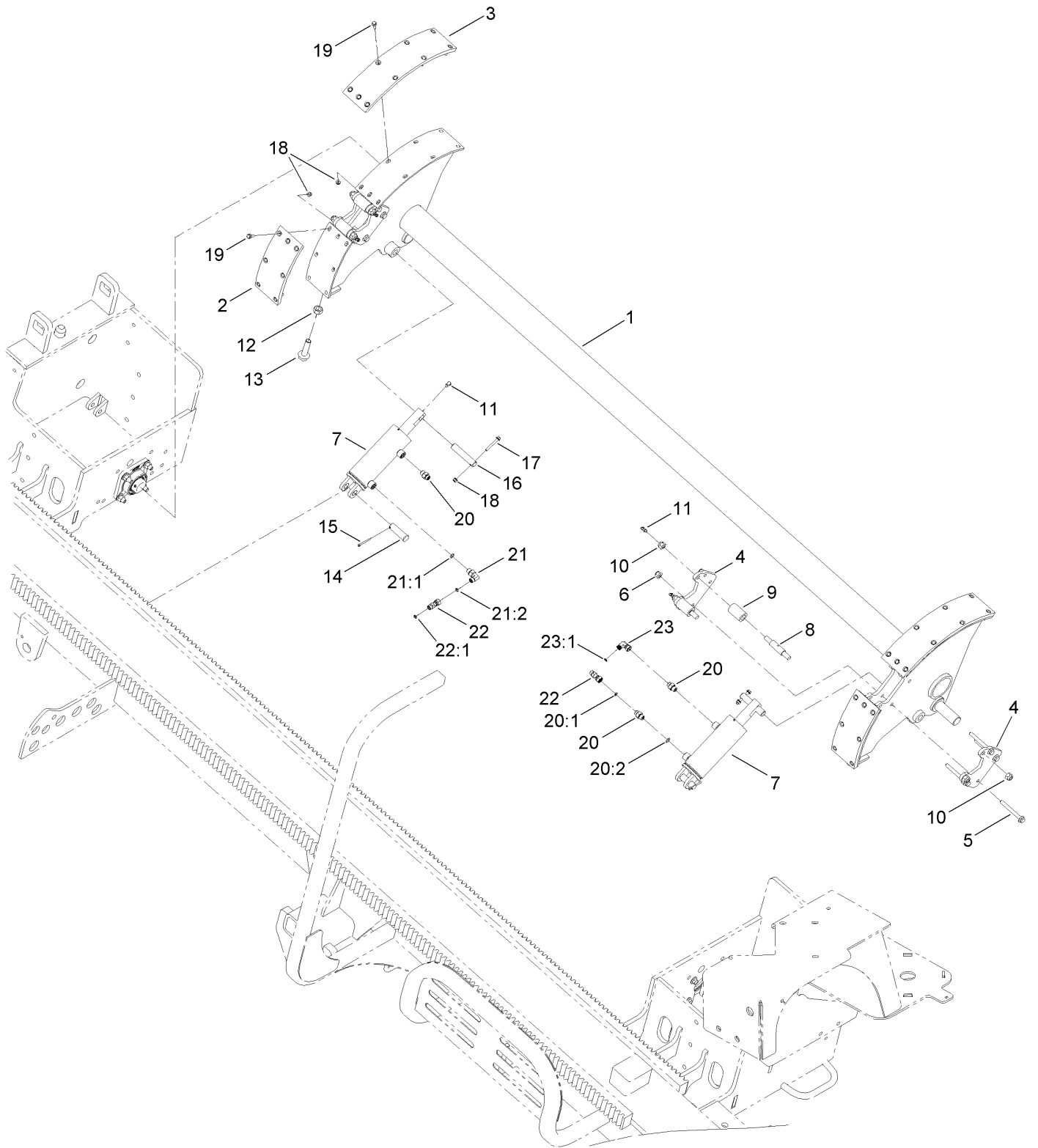
Rod Box Assembly



Rod Box Assembly (continued)

<i>Ref.</i>	<i>Part Number</i>	<i>Qty.</i>	<i>Description</i>	<i>Ref.</i>	<i>Part Number</i>	<i>Qty.</i>	<i>Description</i>
1	127-0935	1	Rod Box ASM	16	3256-28	4	Washer-Flat
1:2	105-4222	1	Decal	17	AU100363	8	Screw-HHF
1:3	125-6151	2	Decal-Weight, Rod Basket	18	AU100529	8	Nut-HHF
1:4	125-6107	1	Decal-Warning, Crushing	19	AU118917-03	2	Deflector
1:5	125-6119	1	Decal-Danger, Entanglement	20	33104-035	4	Screw-HHF
2	AU118075-03	6	Pin-Rod Box	21	104-3082	4	Nut-Lock, HHF
3	AUD130037	6	Pin-Klik	22	33104-030	4	Screw-HHF
4	AU118322-03	2	Plate-Mounting, Elevator	23	AU119037	1	Bracket-Angle, Guard
5	AU121928-03	2	Plate-Elevator	24	33103-025	2	Screw-HHF
6	AU118323-03	4	Plate-Shim, Elevator	25	81-0130	2	Nut-Flange, NI
7	AU118325-03	4	Plate-Support, Elevator	26	AU119031-03	1	Guard
8	AU121929-03	2	Mount-Cylinder, Elevator	27	AU109964	2	Pin-Clevis
9	AU118326-03	2	Plate-Mounting, Elevator	28	AU109970	2	Pin-Snap Ring
10	AU100347	12	Screw-HHF	29	3272-19	2	Pin-Cotter
11	AU100528	12	Nut-HHF, Lock	30	340-1	4	Fitting-HYD, Straight
12	302-57	4	Fitting-Grease	30:1	237-21	1	O-Ring
13	AU118214	2	HYD Cylinder ASM	30:2	237-42	1	O-Ring
14	AUH30262	4	Pin-Clevis	31	AU111506	2	Fitting-Straight
15	3272-30	4	Pin-Cotter	31:1	237-21	1	O-Ring
				32	57-4230	1	Spacer-Tubular

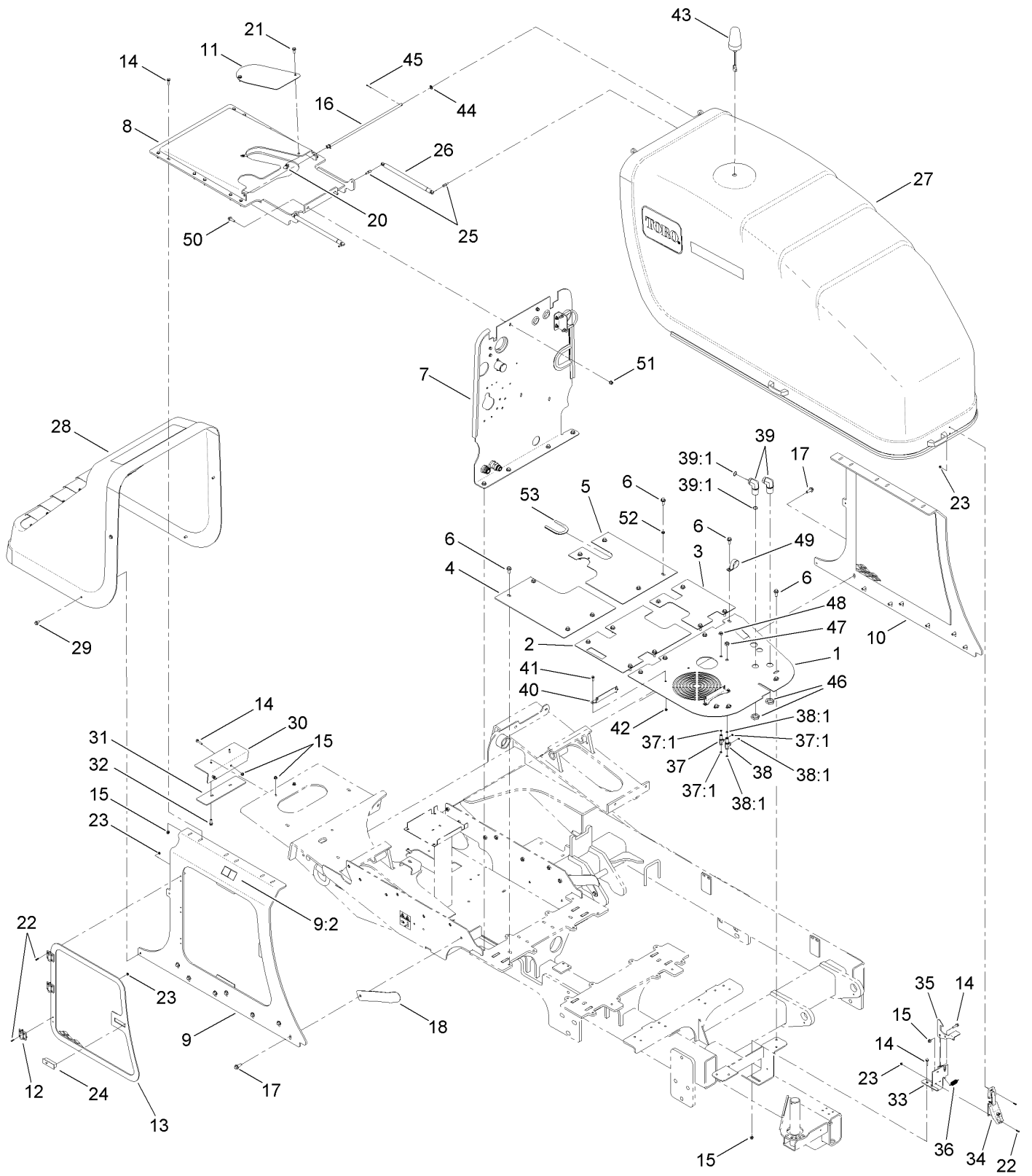
Rod Loader Cam Assembly



Rod Loader Cam Assembly (continued)

<i>Ref.</i>	<i>Part Number</i>	<i>Qty.</i>	<i>Description</i>	<i>Ref.</i>	<i>Part Number</i>	<i>Qty.</i>	<i>Description</i>
1	AU117300-03	1	Cam-Loader, Rod	15	3272-19	2	Pin-Cotter
2	AU117305	2	Pad-Wear, Rod Loader (Short)	16	AU117427	2	Pin-Straight
3	AU117284	2	Pad-Wear, Rod Loader (Long)	17	33103-050	2	Screw-HHF
4	AU117358-03	4	Plate-Holder, Pipe	18	81-0130	34	Nut-Flange, NI
5	33105-090	8	Screw-HHF	19	33103-025	32	Screw-HHF
6	103-9511	8	Nut-Lock, NI	20	340-1	3	Fitting-HYD, Straight
7	AU120606	2	HYD Cylinder ASM	20:1	237-21	1	O-Ring
8	AU117339	4	Shaft-Roller, Pipe	20:2	237-42	1	O-Ring
9	AU117340	4	Tube-Roller	21	340-82	1	Adapter ASM
10	AU232-4118	8	Nut-Hex	21:1	237-42	1	O-Ring
11	302-40	6	Fitting-Grease, 90 DEG	21:2	237-21	1	O-Ring
12	33018-00	2	Nut-Hex	22	AU111506	2	Fitting-Straight
13	33108-060	2	Screw-HHF	22:1	237-21	1	O-Ring
14	AU109885	2	Pin-Clevis	23	92-2745	1	Fitting-Adaptor
				23:1	237-21	1	O-Ring

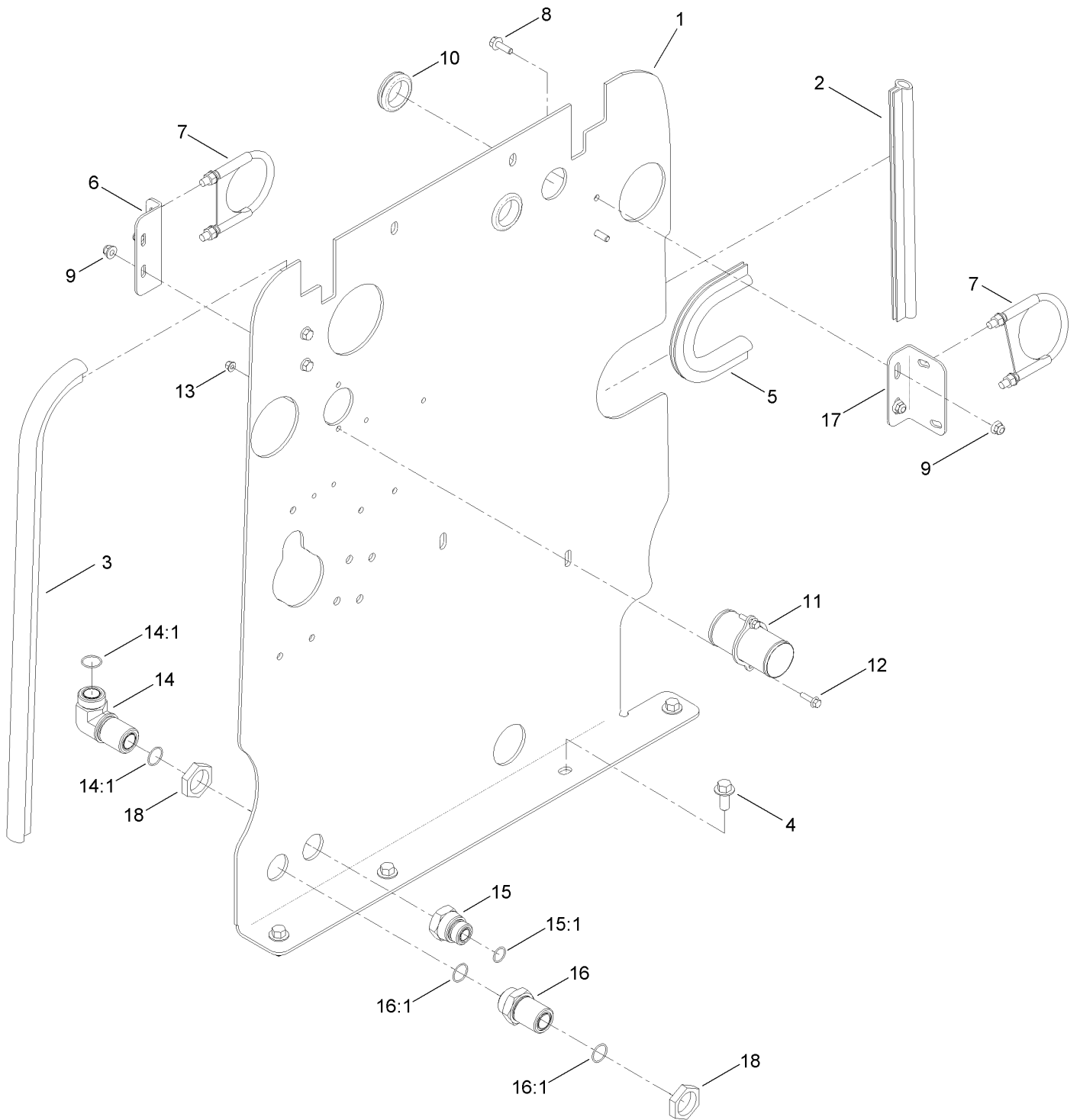
Hood Assembly



Hood Assembly (continued)

<i>Ref.</i>	<i>Part Number</i>	<i>Qty.</i>	<i>Description</i>	<i>Ref.</i>	<i>Part Number</i>	<i>Qty.</i>	<i>Description</i>
1	AU130550-03	1	Plate-Bulkhead	29	93-2569	4	Screw-HHF
2	AU130551-03	1	Plate-Seal, Hood	30	AU118515-03	1	Plate-Stop, Rear Hood
3	AU130552-03	1	Plate-Seal, Hood	31	AU119331-03	1	Plate-Sandwich, Hood Stop
4	AU116572-03	1	Plate-Hood Seal	32	33104-030	2	Screw-HHF
5	AU116573-03	1	Plate-Hood Seal	33	AU118512-03	1	Mount-Hood, Safety Latch
6	33106-020	24	Screw-HHF	34	AU130765	1	Latch-Draw, Lockable
7	127-5263	1	Bulk Head ASM	35	AU111869-03	1	Hook-Hood, Safety Latch
8	AU130383-03	1	Mounting-Hood	36	AU112966	1	Spring-Tension
9	127-0938	1	Hood Mounting ASM	37	AU8OR90404	1	Fitting-Tee
9:2	125-6129	1	Decal-Warning, Hot Surface	37:1	237-21	3	O-Ring
10	AU130385-03	1	Mount-Hood	38	340-68	1	Fitting-Tee, Bulkhead
11	AU130648-03	1	Plate-Cover	38:1	237-22	3	O-Ring
12	AU123695	3	Hinge	39	AU8OL91616	2	Fitting-Elbow, 90
13	AU130630-03	1	Door-Side	39:1	340-65	2	O-Ring
14	33104-035	17	Screw-HHF	40	AU124320-03	2	Plate-Mount, Fan
15	104-3082	19	Nut-Lock, HHF	41	33103-025	4	Screw-HHF
16	AU118537	1	Pin-Mount, Hood	42	81-0130	4	Nut-Flange, NI
17	33106-035	14	Screw-HHF	43	125-4528	1	Light-Strobe
18	AU32GB5016-03	2	Guide-Hood	44	110-7191	2	Washer-Thrust
20	AU100863	2	Nut-U	45	3272-11	2	Pin-Cotter
21	108-1531	2	Screw-HHF	46	340-128	2	Nut-Bulkhead
22	360-0137	17	Screw-PRH	47	340-70	1	Nut-Lock
23	32149-8	17	Nut-Keps	48	340-78	1	Nut-Lock
24	AU50GB2302	1	Latch-Trigger, Raised (W/Lock)	49	127-0518	1	Clamp-R
25	AU8HH96100	4	Stud-Ball, .75In	50	33105-035	2	Screw-HHF
26	AU32GB5110	2	Spring-Gas	51	103-9511	2	Nut-Lock, NI
27	AU115517	1	Front Hood ASM	52	3255-2	1	Washer-Lock / EXT
28	AU118302	1	Rear Hood ASM	53	127-5316	1	Trim-Tank

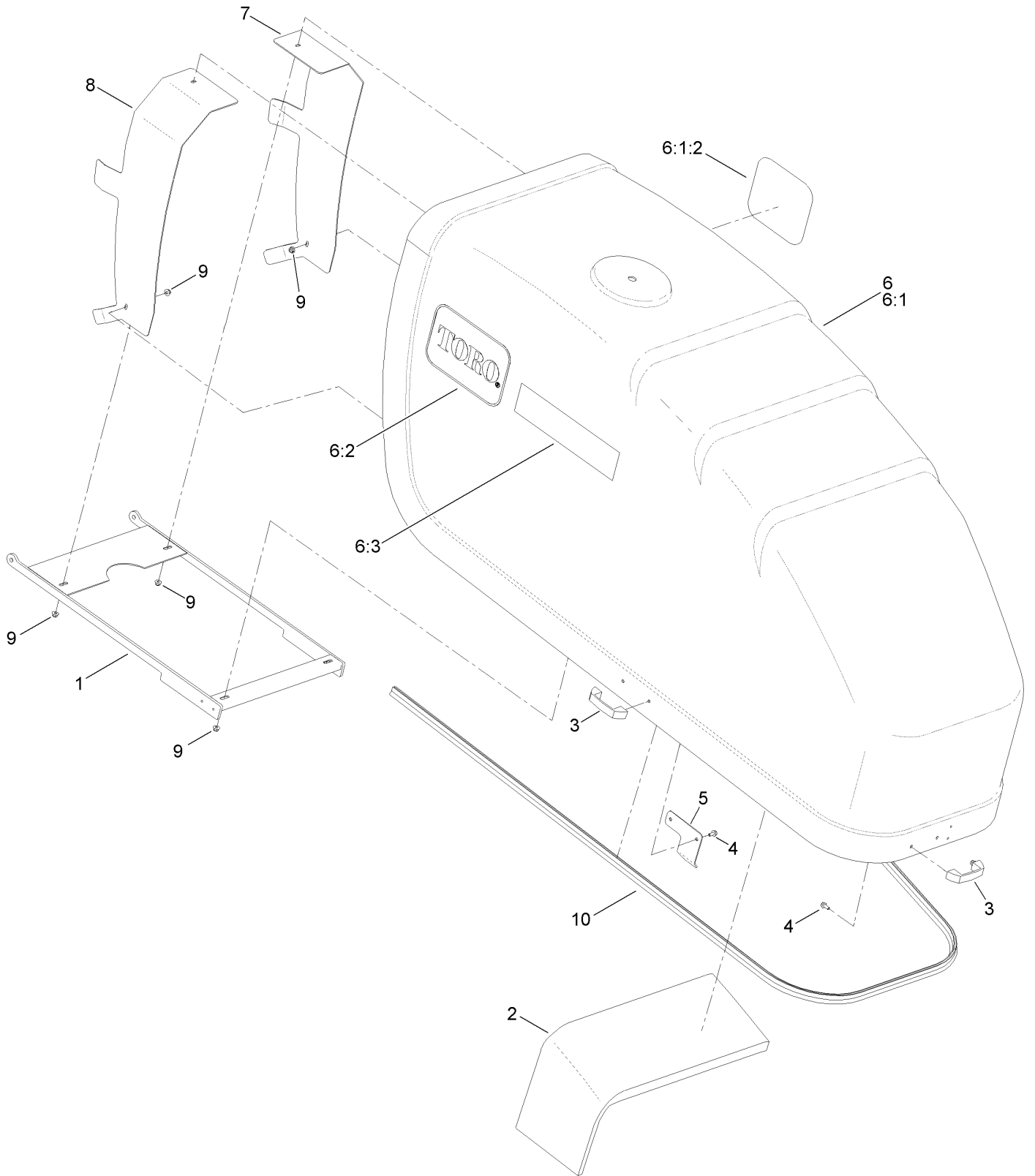
Bulkhead Assembly No. 127-5263



Bulkhead Assembly No. 127-5263 (continued)

<i>Ref.</i>	<i>Part Number</i>	<i>Qty.</i>	<i>Description</i>	<i>Ref.</i>	<i>Part Number</i>	<i>Qty.</i>	<i>Description</i>
1	127-0939	1	Bulk Head ASM	12	33103-025	2	Screw-HHF
2	127-5302	1	Seal-Bulb, LH	13	81-0130	2	Nut-Flange, NI
3	127-5301	1	Seal-Bulb, RH	14	AU8OL91616	1	Fitting-Elbow, 90
4	33106-020	4	Screw-HHF	14:1	340-65	2	O-Ring
5	127-5300	1	Seal-Bulb	15	AU8OA81216	1	Fitting-Reducer
6	AU120221-03	1	Plate-Support, Exhaust	15:1	237-58	1	O-Ring
7	AU8NG28118	2	Clamp-Guillotine	16	106-0060	1	Adapter-HYD
8	33104-025	4	Screw-HHF	16:1	340-65	2	O-Ring
9	104-3082	4	Nut-Lock, HHF	17	AU130659-03	1	Plate-Support, Charge Air
10	103-7706	2	Grommet	18	340-128	2	Nut-Bulkhead
11	AU120224-03	1	Tube-Bulkhead, Radiator				

Front Hood Assembly No. AU115517

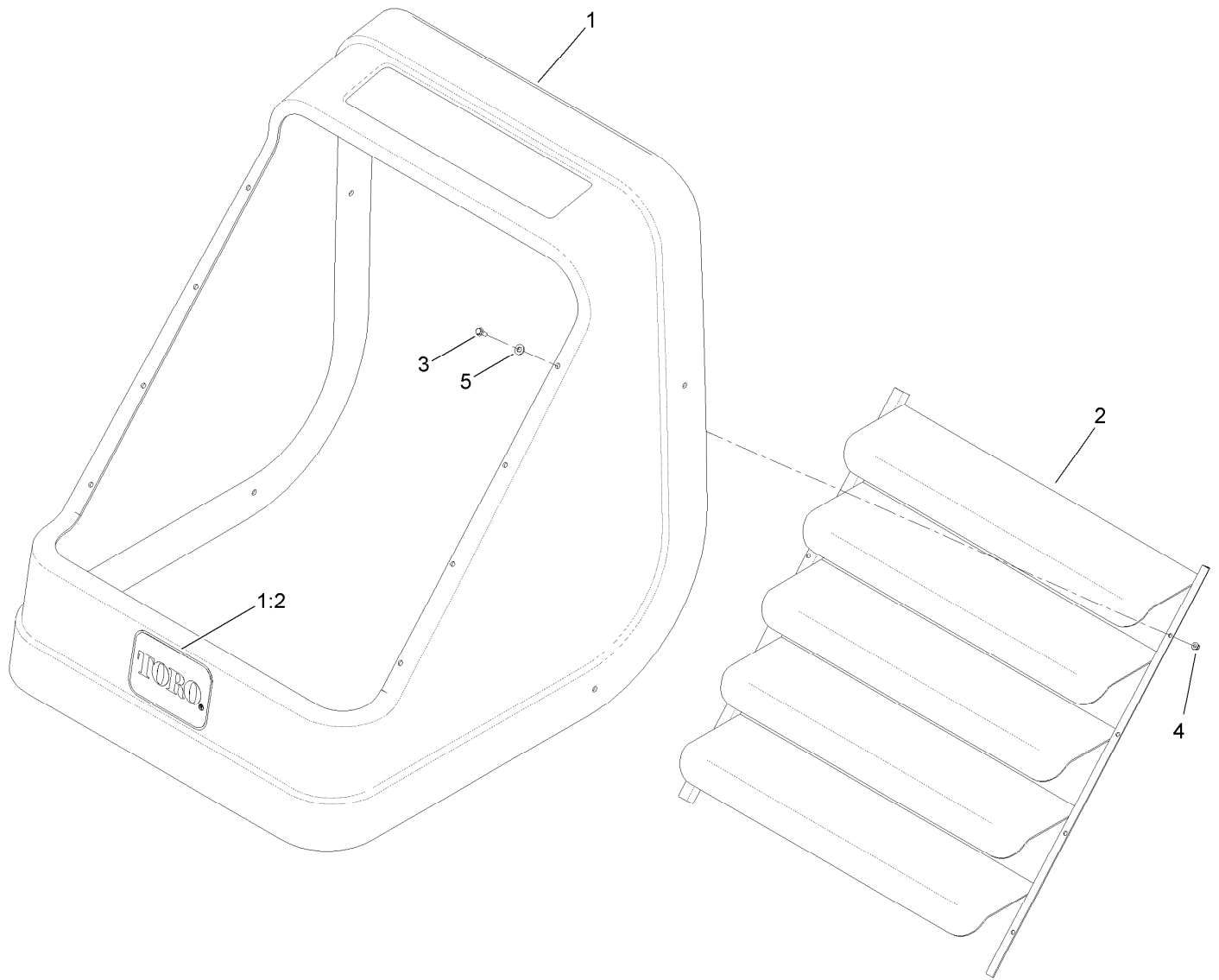


Front Hood Assembly No. AU115517 (continued)

<i>Ref.</i>	<i>Part Number</i>	<i>Qty.</i>	<i>Description</i>	<i>Ref.</i>	<i>Part Number</i>	<i>Qty.</i>	<i>Description</i>
1	AU118730	1	Hinge-Hood, Front	6:1:2	130-4496	1	Screen-Hood, Front
2	127-0955	1	Foam-Hood, Reflective	6:2	114-0990	1	Decal
3	AU104854	2	Handle-Grab	6:3	125-6133	1	Decal
4	33104-020	4	Screw-HHF	7	AU123306-03	1	Plate-Catch, Hood
5	AU121776	1	Guide-Hood, Front	8	AU123307-03	1	Plate-Catch, Hood
6	127-0936	1	Front Hood And Decal ASM	9	104-8301	6	Nut-Flange, NI
6:1		1	Hood-Front ●	10	127-5303	1	Seal-Bulb

● Not serviced separately

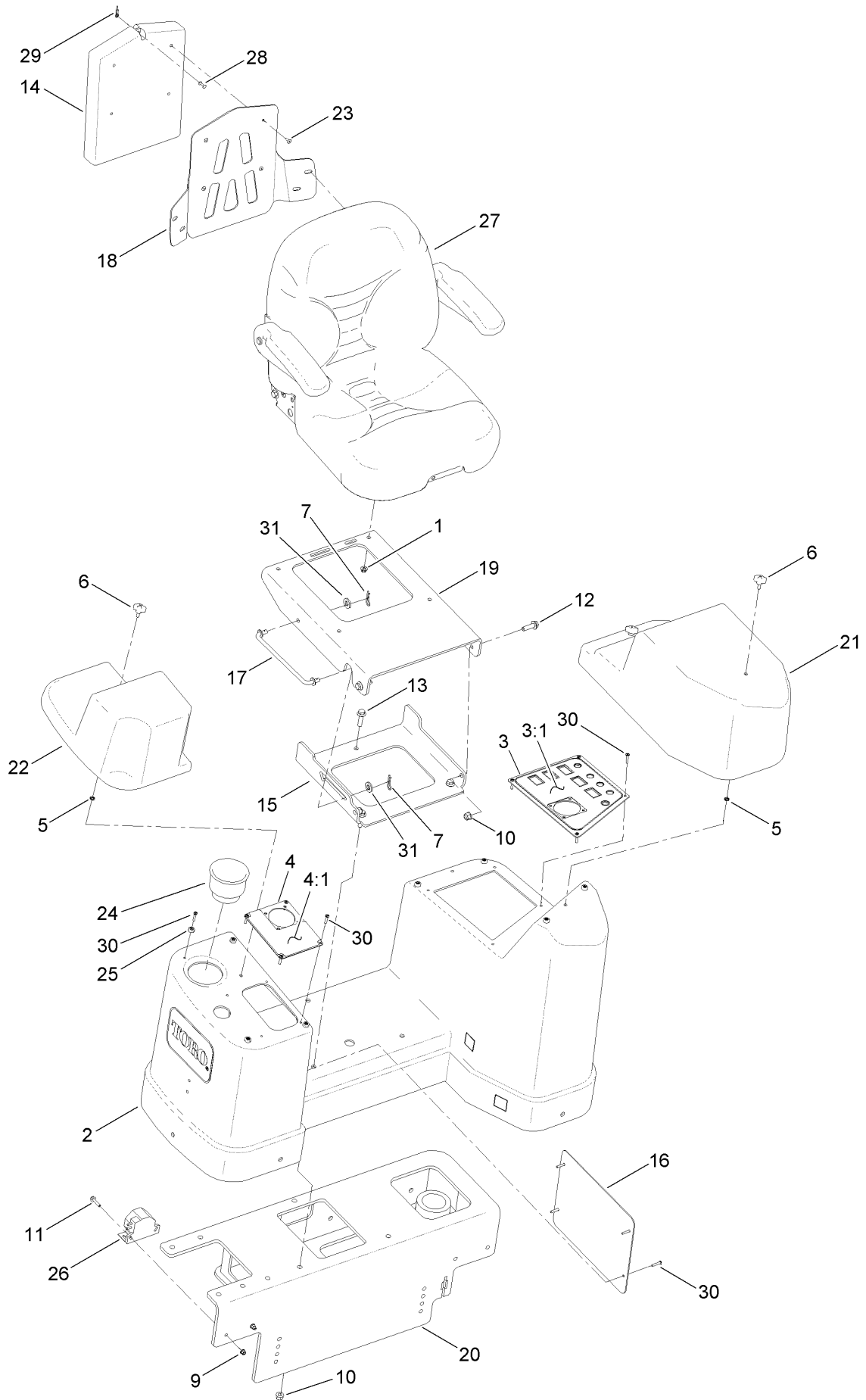
Rear Hood Assembly No. AU118302



Rear Hood Assembly No. AU118302 (continued)

<i>Ref.</i>	<i>Part Number</i>	<i>Qty.</i>	<i>Description</i>	<i>Ref.</i>	<i>Part Number</i>	<i>Qty.</i>	<i>Description</i>
1	130-4476	1	Rear Hood ASM	3	33103-020	8	Screw-HHF
1:2	62-7400	1	Decal	4	120-9645	8	Nut-HHF
2	AU118366-03	1	Louver-Hood, Rear	5	3256-38	8	Washer-Flat

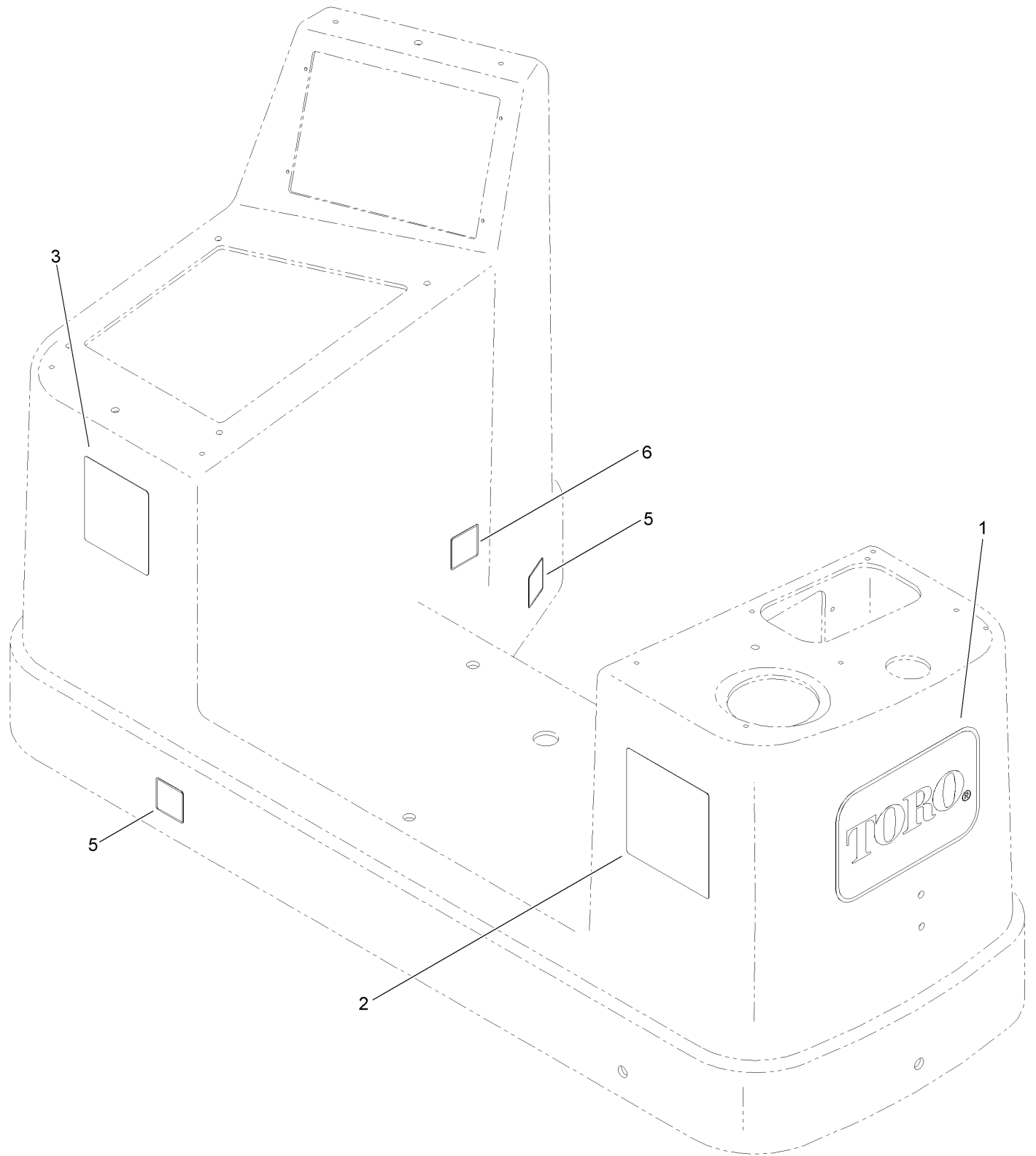
Seat and Operator Console Assembly



Seat and Operator Console Assembly (continued)

<i>Ref.</i>	<i>Part Number</i>	<i>Qty.</i>	<i>Description</i>	<i>Ref.</i>	<i>Part Number</i>	<i>Qty.</i>	<i>Description</i>
1	104-8300	4	Nut-Flange, NI	16	AU108634-03	1	Plate-Seat, Inside Panel
2	127-0900	1	Operator Console ASM	17	AU109357	1	Rod-Prop, Seat
3	127-0901	1	Switch Plate ASM	18	AU111717-03	1	Plate-Mount, Manual
3:1	125-6112	1	Decal-Joystick, Left	19	AU117641-03	1	Plate-Seat Mount, Top
4	127-0902	1	Joystick Mounting Plate ASM	20	AU125016-03	1	Console-Operators
4:1	125-6125	1	Decal-Joystick, Right	21	130-4494	1	Cover-Console, LH
5	104-8310	3	Ring-Retaining	22	130-4495	1	Cover-Console, RH
6	98-8332	3	Knob	23	114439	4	Rivet-Pop
7	3290-467	2	Pin-Hair	24	AU8EO24121	1	Cup-Holder
9	81-0130	2	Nut-Flange, NI	25	AU8EO24122	8	Grommet-Rubber
10	103-9511	5	Nut-Lock, NI	26	AU8EP29105	1	Alarm-Backup
11	33103-030	2	Screw-HHF	27	AU8EP47010	1	Operator Seat ASM (Static)
12	33105-035	2	Screw-HHF	28	AUR46463	1	Post-Manual
13	33105-040	3	Screw-HHF	29	AUR46465	1	Lanyard
14	AU103216	1	Holder-Manual	30	ST80070	20	Screw-PPH
15	AU108632-03	1	Plate-Seat Mount, Bottom	31	AU496-21053	2	Washer-Flat (Hardened)

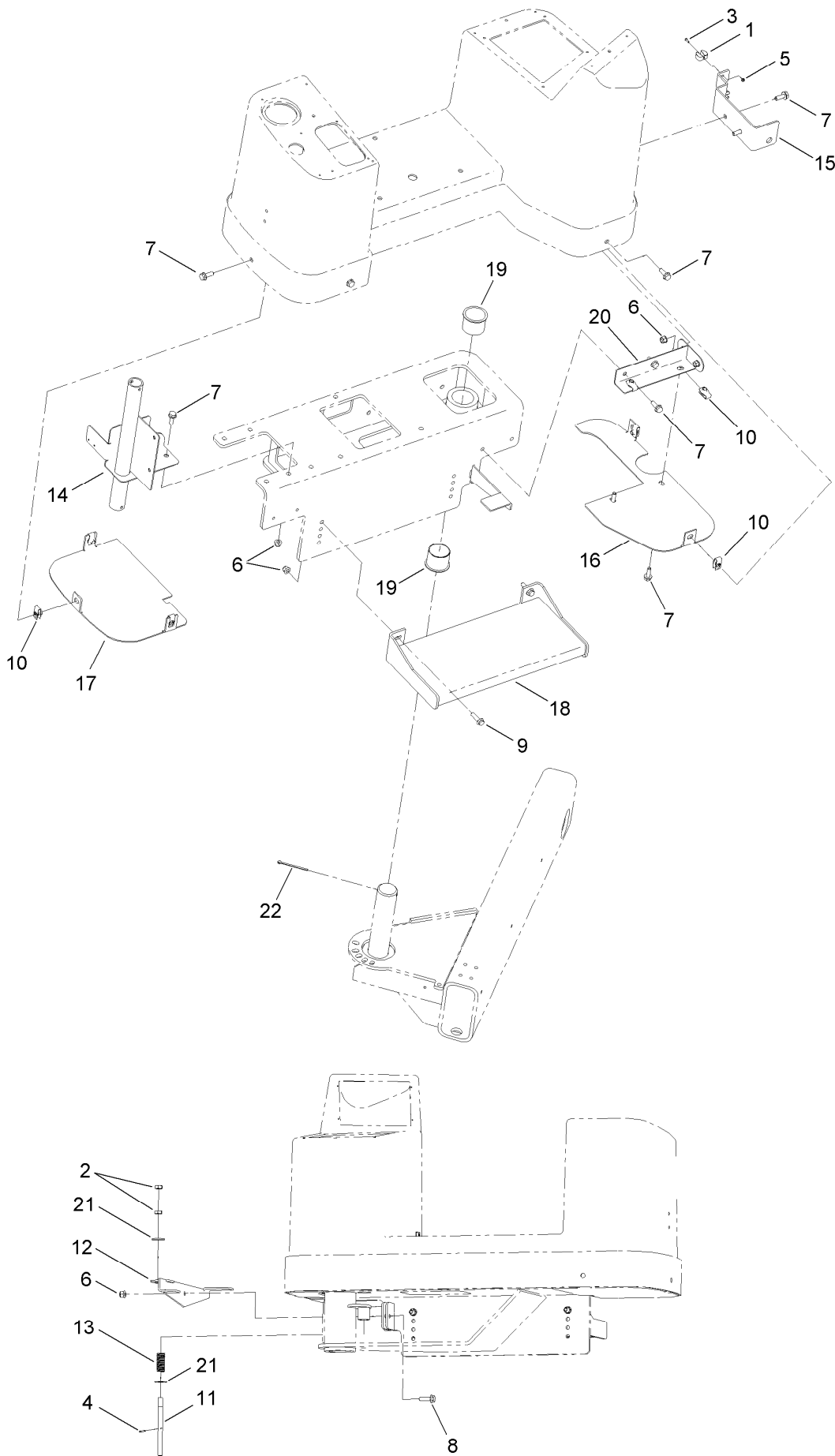
Operator Console Assembly No. 127-0900



Operator Console Assembly No. 127-0900 (continued)

<i>Ref.</i>	<i>Part Number</i>	<i>Qty.</i>	<i>Description</i>	<i>Ref.</i>	<i>Part Number</i>	<i>Qty.</i>	<i>Description</i>
1	62-7400	1	Decal	5	125-6140	2	Decal-Seat Adjust
2	125-6109	1	Decal-Danger, Shock	6	125-6152	1	Decal-Seat Slide
3	125-6116	1	Decal-Danger, No Riders (Front)				

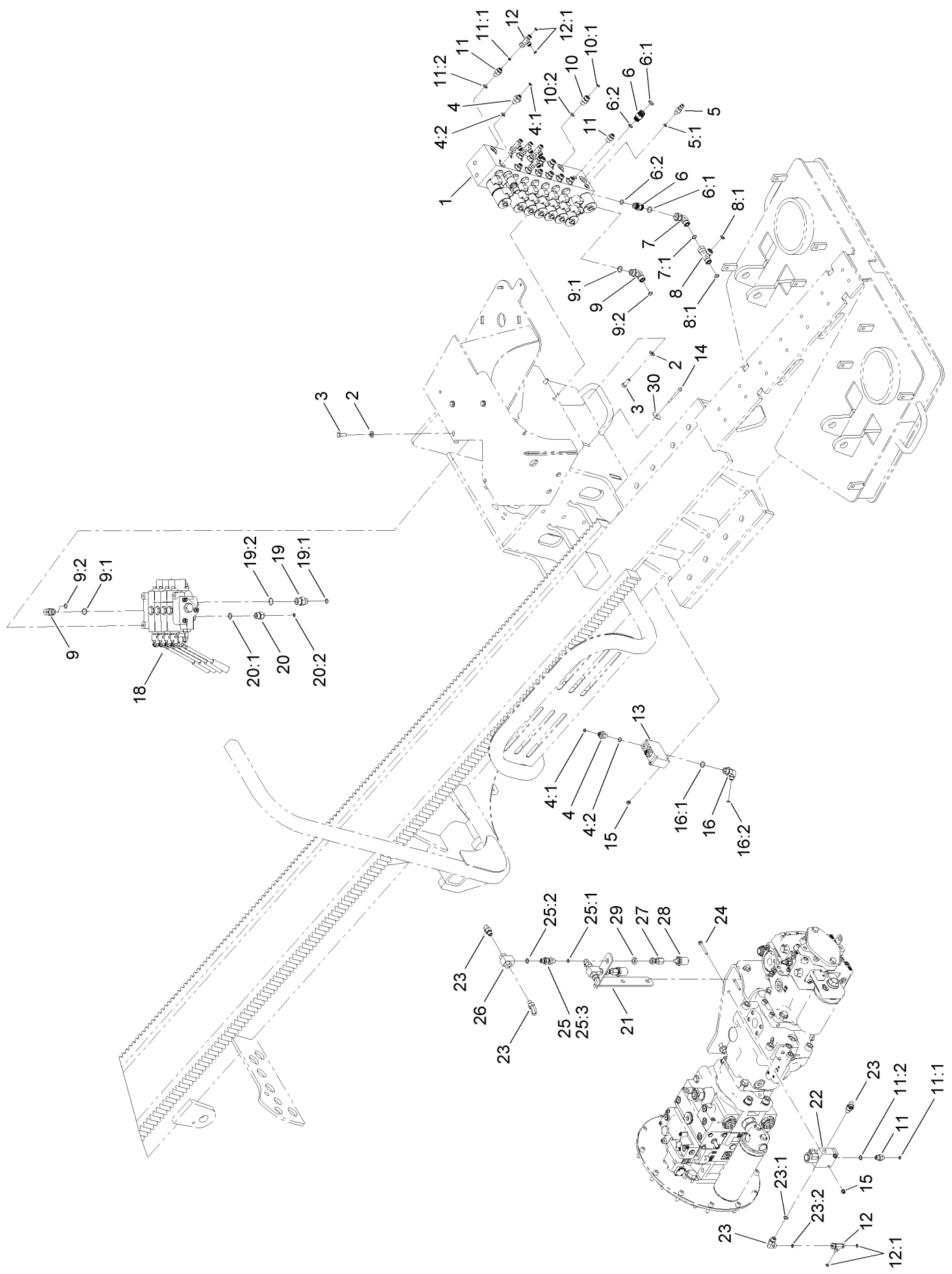
Lower Operator Platform Assembly



Lower Operator Platform Assembly (continued)

<i>Ref.</i>	<i>Part Number</i>	<i>Qty.</i>	<i>Description</i>	<i>Ref.</i>	<i>Part Number</i>	<i>Qty.</i>	<i>Description</i>
1	110-5677	2	Clip-Spring	12	AU108997-03	1	Arm-Adjustment, Seat
2	3218-5	2	Nut-Jam	13	AU109011	1	Spring-Pivot Lock, Seat
3	3249-3	2	Screw-PRH	14	AU114805-03	1	Mount-Umbrella
4	3272-11	1	Pin-Cotter	15	AU115236-03	1	Plate-Retaining, Cord
5	32149-6	2	Nut-Keps	16	AU125024-03	1	Plate-Guard, Splash
6	103-9511	7	Nut-Lock, NI	17	AU125042-03	1	Plate-Guard, Splash
7	33105-030	13	Screw-HHF	18	AU12GB9202-03	1	Step
8	33105-035	1	Screw-HHF	19	AU12GB9215	2	Bearing-Flanged
9	33105-040	2	Screw-HHF	20	AU12GB9228-03	1	Support-Shroud, Left
10	AU100863	7	Nut-U	21	AU495-81163	2	Washer-Flat
11	AU108909	1	Rod-Swing, Seat	22	AU432-1248	1	Pin-Cotter

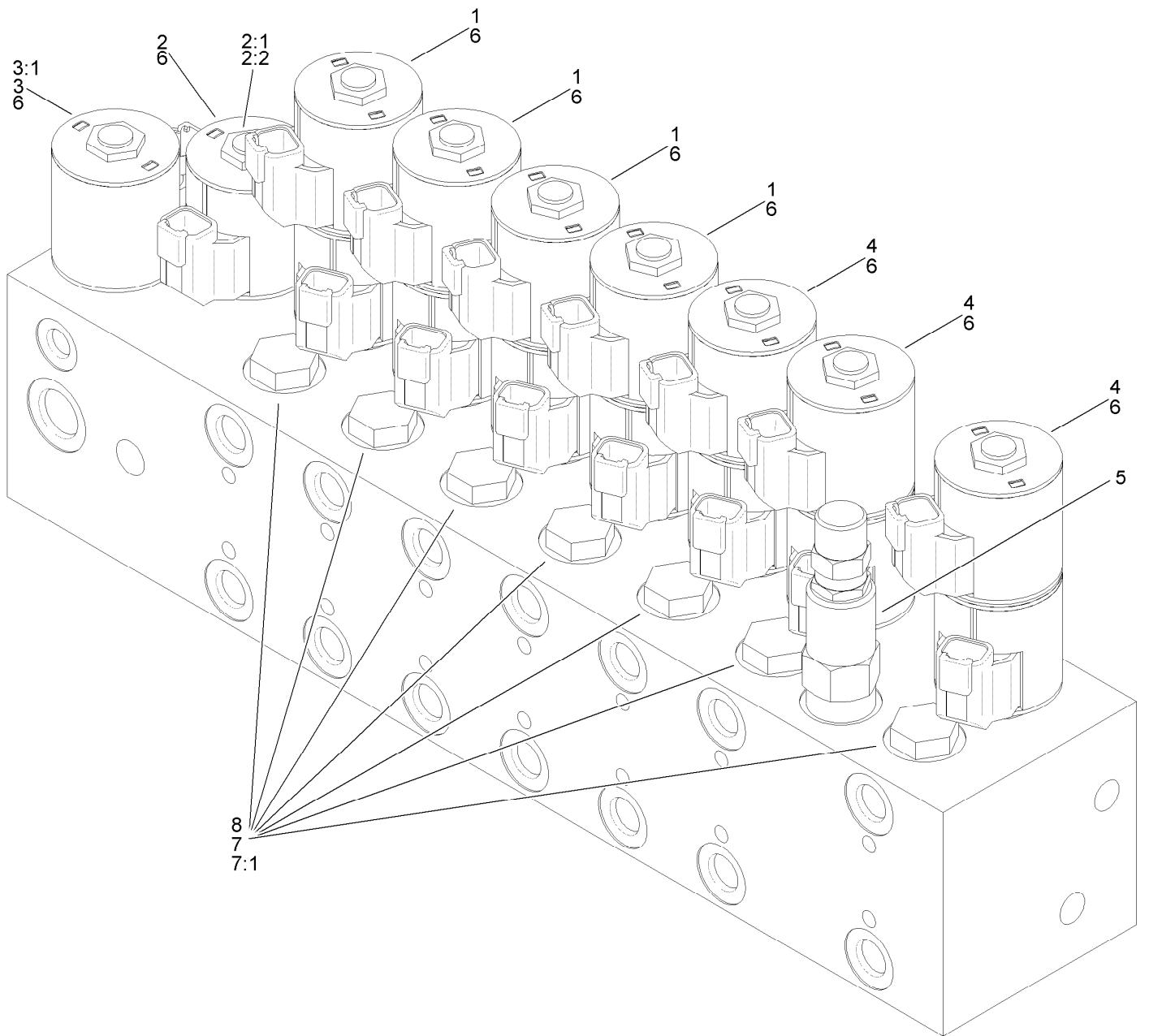
9 Section and 4 Spool Hydraulic Valve Assembly



9 Section and 4 Spool Hydraulic Valve Assembly (continued)

<i>Ref.</i>	<i>Part Number</i>	<i>Qty.</i>	<i>Description</i>	<i>Ref.</i>	<i>Part Number</i>	<i>Qty.</i>	<i>Description</i>
1	AU111494	1	9 Section HYD Valve ASM	14	AU100315	2	Screw-Flange, Metric
2	3256-24	7	Washer-Flat	15	81-0130	4	Nut-Flange, NI
3	323-6	7	Screw-HH	16	108-5687	1	Fitting-Elbow, 90
4	AU112767	3	Fitting-Straight	16:1	237-79	1	O-Ring
4:1	237-21	1	O-Ring	16:2	237-21	1	O-Ring
4:2	237-42	1	O-Ring	18	AU8HV80159	1	4 Spool HYD Valve ASM
5	354-77	1	Fitting-Quick	19	340-6	2	Fitting-HYD, Straight
5:1	237-78	1	O-Ring	19:1	237-30	1	O-Ring
6	340-4	2	Fitting-HYD, Straight	19:2	237-80	1	O-Ring
6:1	237-30	1	O-Ring	20	340-133	8	Adapter ASM
6:2	237-79	1	O-Ring	20:1	237-79	1	O-Ring
7	94-6031	1	Fitting-HYD	20:2	237-21	1	O-Ring
7:1	237-30	1	O-Ring	21	AU121543-03	1	Bracket-Valve, Shuttle
8	340-104	1	Fitting-HYD, Tee	22	125-4467	1	Valve-Solenoid
8:1	237-30	2	O-Ring	23	340-82	6	Adapter ASM
9	340-98	2	Fitting-HYD, 90 DEG	23:1	237-42	1	O-Ring
9:1	237-79	1	O-Ring	23:2	237-21	1	O-Ring
9:2	237-30	1	O-Ring	24	33103-050	2	Screw-HHF
10	340-2	6	Fitting-HYD, Straight	25	AU8OAA0406	2	Fitting-Straight
10:1	237-22	1	O-Ring	25:1	237-21	1	O-Ring
10:2	237-42	1	O-Ring	25:2	237-42	1	O-Ring
11	340-1	9	Fitting-HYD, Straight	25:3	340-78	1	Nut-Lock
11:1	237-21	1	O-Ring	26	AU270083	2	Valve-Shuttle, Load
11:2	237-42	1	O-Ring	27	AU8SA60404	2	Fitting-Straight
12	340-151	6	Fitting-HYD	28	125-6579	2	Transducer-6000Psi
12:1	237-75	2	O-Ring	29	340-78	2	Nut-Lock
13	AU112323	1	HYD Flow Divider Valve ASM	30	3256-55	2	Washer-Flat

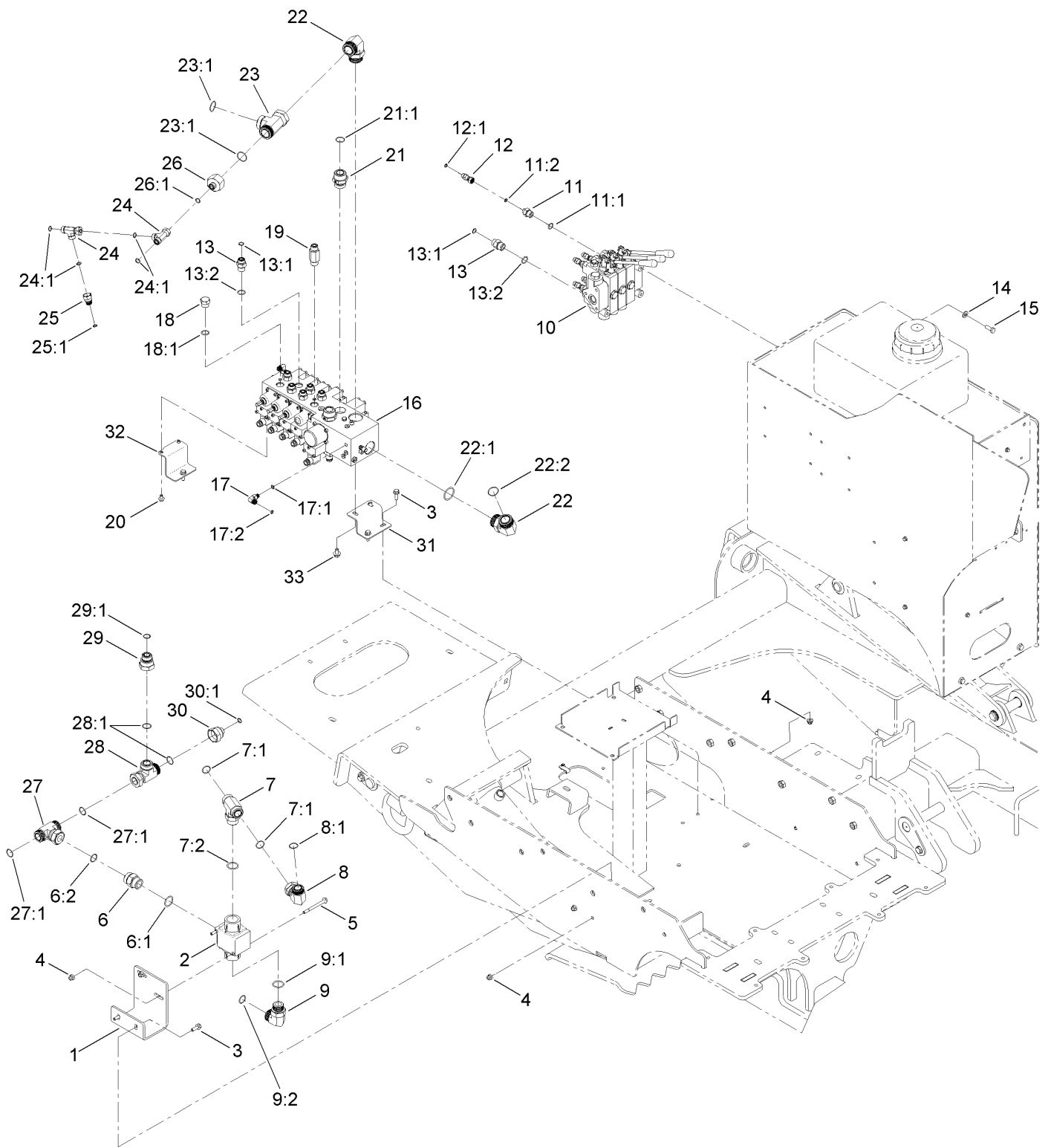
9 Section Hydraulic Valve Assembly No. AU111494



9 Section Hydraulic Valve Assembly No. AU111494 (continued)

<i>Ref.</i>	<i>Part Number</i>	<i>Qty.</i>	<i>Description</i>	<i>Ref.</i>	<i>Part Number</i>	<i>Qty.</i>	<i>Description</i>
1	AU112257	4	Valve-Cartridge, Motor Spool	4	AU116738	3	Solenoid ASM
2	115-5400	1	Solenoid Valve ASM	5	AU116739	1	Valve-Reducing, Pressure
2:1	107-7813	1	Seal Kit	6	119-4619	16	Coil-Solenoid
2:2	110-2634	1	Nut-Coil	7	107-7524	14	Check Valve ASM
3	120-0913	1	Valve-Solenoid	7:1	105-9156	1	Seal Kit
3:1	105-9159	1	Seal Kit	8	120-2554	7	Piston-Pilot

5 Section and 3 Spool Hydraulic Valve Assembly

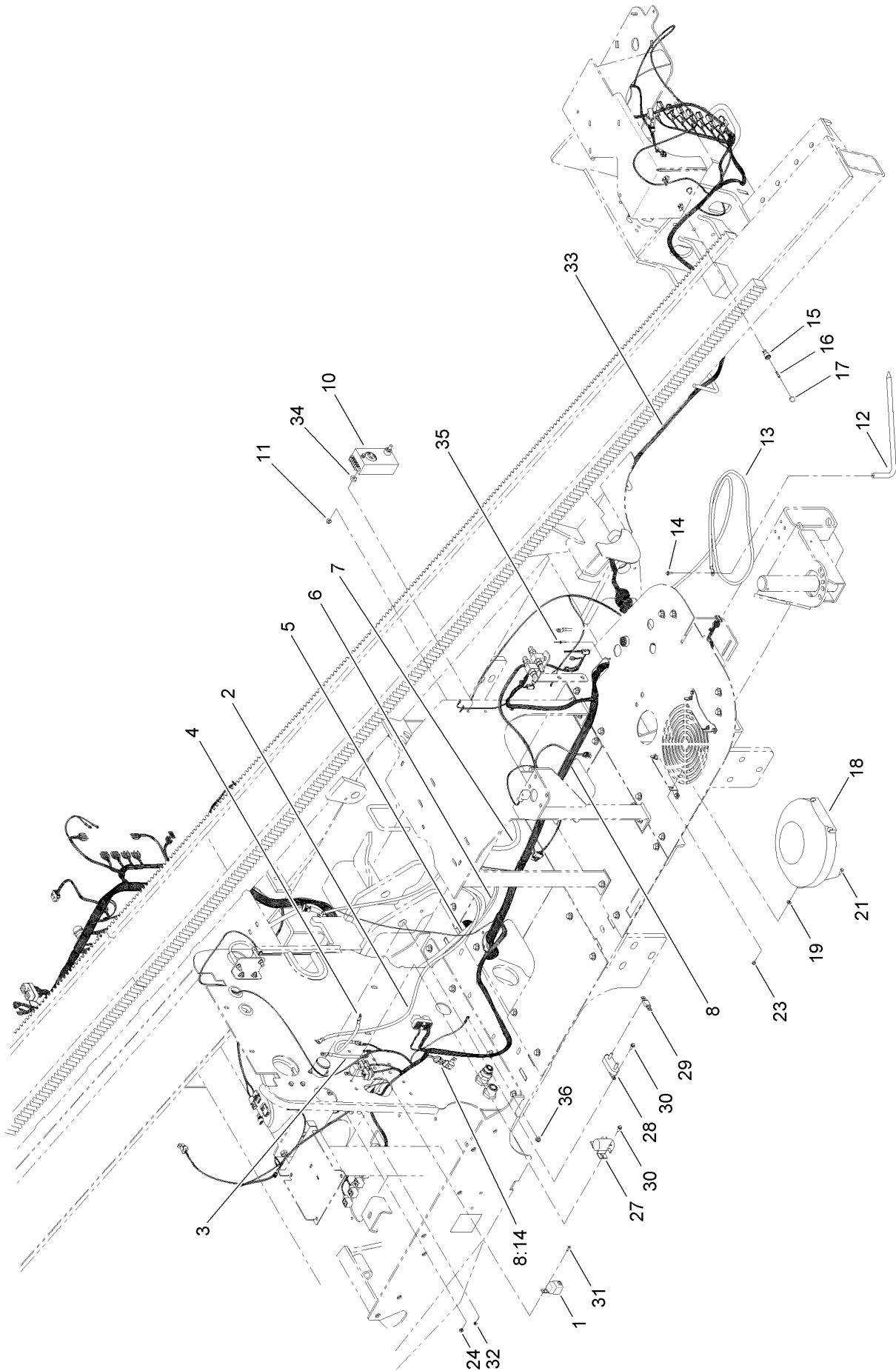


5 Section and 3 Spool Hydraulic Valve Assembly (continued)

<i>Ref.</i>	<i>Part Number</i>	<i>Qty.</i>	<i>Description</i>	<i>Ref.</i>	<i>Part Number</i>	<i>Qty.</i>	<i>Description</i>
1	AU124864-03	1	Plate-Mount, Thermal Bypass	16:2	AU121945	1	Orifice-Load Sense Dampening ●
2	AU8HV01001	1	Valve-Thermostat	17	340-132	2	Fitting-HYD, 90 DEG
3	33104-025	5	Screw-HHF	17:1	237-78	1	O-Ring
4	104-3082	7	Nut-Lock, HHF	17:2	237-21	1	O-Ring
5	AU100327	2	Screw-Flange	18	353-551	1	Plug-HH
6	104-3797	1	Fitting-HYD, Straight	18:1	237-80	1	O-Ring
6:1	237-146	1	O-Ring	19	AU121465	1	Valve-Check, 30 Psi
6:2	340-65	1	O-Ring	20	AU100394	2	Screw-Flange
7	104-7501	1	Fitting-HYD	21	AU8OA621616	2	Fitting-Straight
7:1	340-65	2	O-Ring	21:1	340-65	1	O-Ring
7:2	237-146	1	O-Ring	22	340-52	2	Fitting-Elbow, 90
8	92-7645	1	Fitting-Swivel, 90 DEG	22:1	237-101	1	O-Ring
8:1	340-65	1	O-Ring	22:2	340-64	1	O-Ring
9	340-129	1	Fitting-HYD, 90	23	AU8OR82020	1	Fitting-Tee, Run
9:1	237-146	1	O-Ring	23:1	340-64	2	O-Ring
9:2	340-65	1	O-Ring	24	340-104	2	Fitting-HYD, Tee
10	AU8HV80153	1	3 Spool HYD Valve ASM	24:1	237-30	2	O-Ring
10:1	AU8HV80153-1	1	Svl Replacement Seal Kit ●	25	95-7776	1	Fitting-HYD
10:2	AU8HV80010-12	1	Seal Kit (O-Ring Inlet Section) ●	25:1	237-22	1	O-Ring
10:3	AU8HV80010-13	1	Seal Kit (O-Ring Outlet Section) ●	26	AU8OA80820	1	Fitting-Reducer
11	340-133	6	Adapter ASM	26:1	237-30	1	O-Ring
11:1	237-79	1	O-Ring	27	AU8OB81616	1	Fitting-Tee
11:2	237-21	1	O-Ring	27:1	340-65	2	O-Ring
12	AU111506	6	Fitting-Straight	28	AU8OR81616	1	Fitting-Tee
12:1	237-21	1	O-Ring	28:1	340-65	2	O-Ring
13	340-6	8	Fitting-HYD, Straight	29	AU8OA81216	1	Fitting-Reducer
13:1	237-30	1	O-Ring	29:1	237-58	1	O-Ring
13:2	237-80	1	O-Ring	30	AU8OA80816	1	Fitting-Reducer
14	3256-24	3	Washer-Flat	30:1	237-30	1	O-Ring
15	AU426-616	3	Screw-HH	31	AU121320	1	Bracket-Front, 5-Section Valve
16	AU121285	1	5-Section HYD Valve ASM	32	AU121321	1	Bracket-Rear, 5-Section Valve
16:1	AU121684	1	Spool-63 Liter ●	33	33105-016	2	Screw-HHF

● Not illustrated

Electrical Assembly

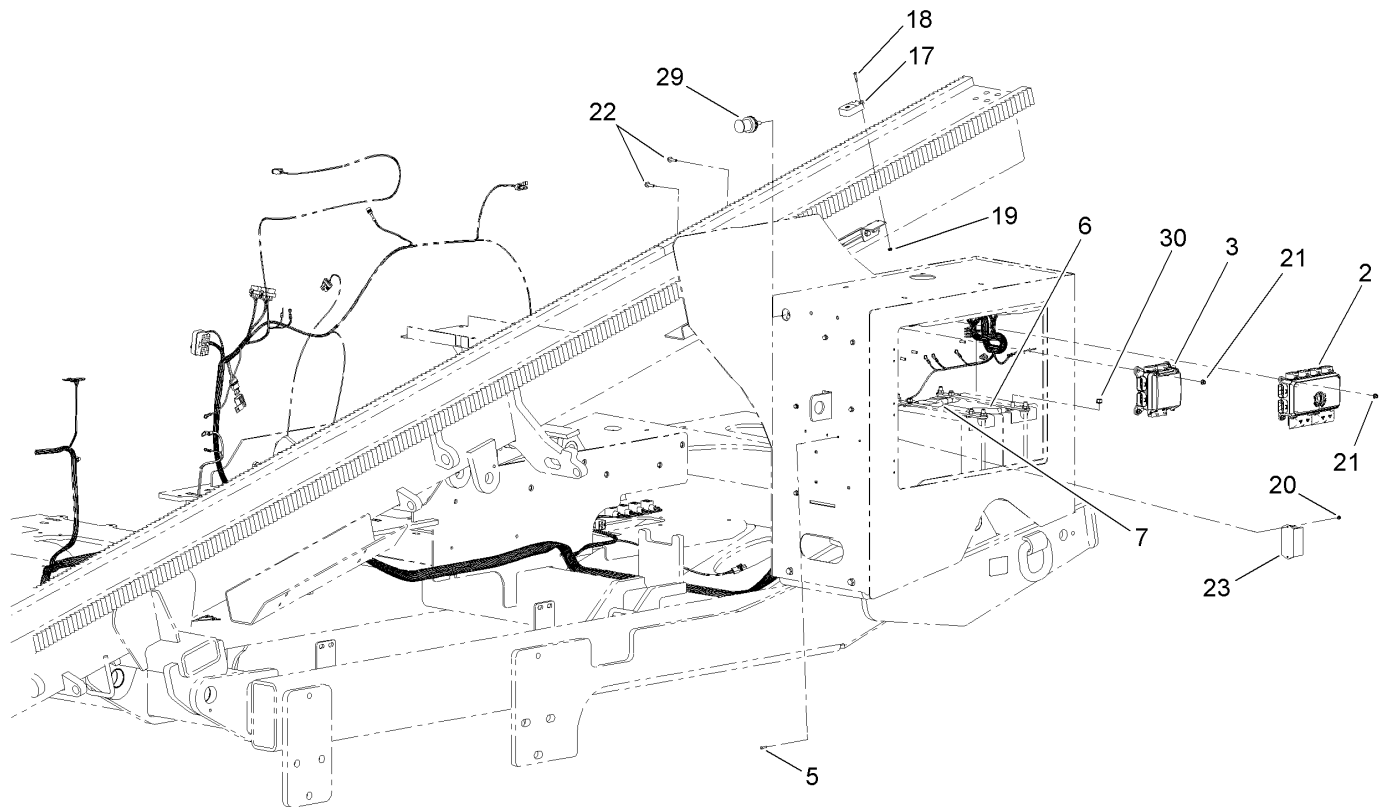
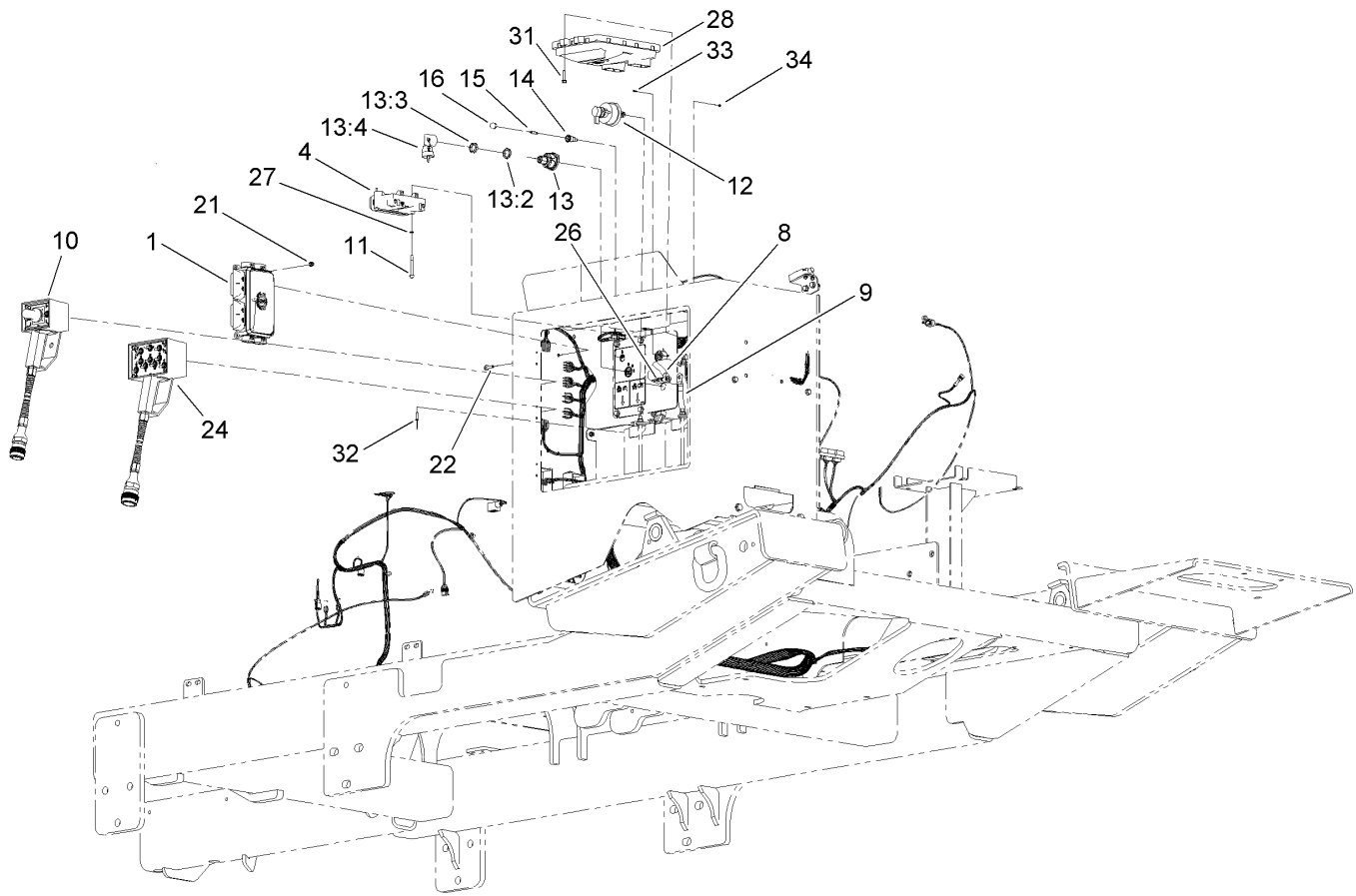


Electrical Assembly (continued)

<i>Ref.</i>	<i>Part Number</i>	<i>Qty.</i>	<i>Description</i>	<i>Ref.</i>	<i>Part Number</i>	<i>Qty.</i>	<i>Description</i>
1	99-7430	2	Relay	18	122-0210	1	Fan-Electric
2	122-0219	1	Cable-Battery, Positive	19	120-9679	4	Washer-Flat
3	122-0103	1	Cable-Battery, Positive	21	33113-020	4	Screw-HH
4	122-0104	1	Cable-Battery, Positive	23	33003-00	4	Nut-HF
5	122-0093	1	Cable-Battery, Positive	24	81-0130	4	Nut-Flange, NI
6	122-0094	1	Cable-Battery, Negative	27	AU126234	1	Solenoid-Relay 12V, 300A
7	122-0095	1	Cable-Battery, Negative	28	AU126233	1	Holder-Fuse
8	122-0063	1	Harness-Wire, Main	29	AU126232	1	Fuse-100A
8:14	218-578	2	Fuse-Blade, 10 Amp	30	33103-016	4	Screw-HHF
8:16	32180-043	1	Resistor-120 Ohm ●	31	119-7568	2	Screw-HSBH
8:34	109103	1	Fuse-Blade, 30 Amp ●	32	120-4580	2	Nut-HF
10	AU8EE27103	1	Relay	33	122-0064	1	Harness-Wire, Thrust Frame
11	104-8300	2	Nut-Flange, NI	33:1	110928	1	Fuse-Blade, 5 Amp ●
12	AU109224	1	Bar-Stake, Ground	34	26-4840	2	Spacer-Pin, Mounting
13	AU124406	1	Cable-Alert, Strike	35	3269-28	1	Rivet-Pop
14	114-8414	1	Screw-HHF	36	104-3082	1	Nut-Lock, HHF
15	AU8EO21401	2	Type T-2 Socket ASM	99	AU8EE27104	1	Tester-Zapalert ●
16	122-0224	2	Lamp-Led				
17	AU8EO21403	2	Lens-Dome, Fluted Green (Type T2)				

● Not illustrated

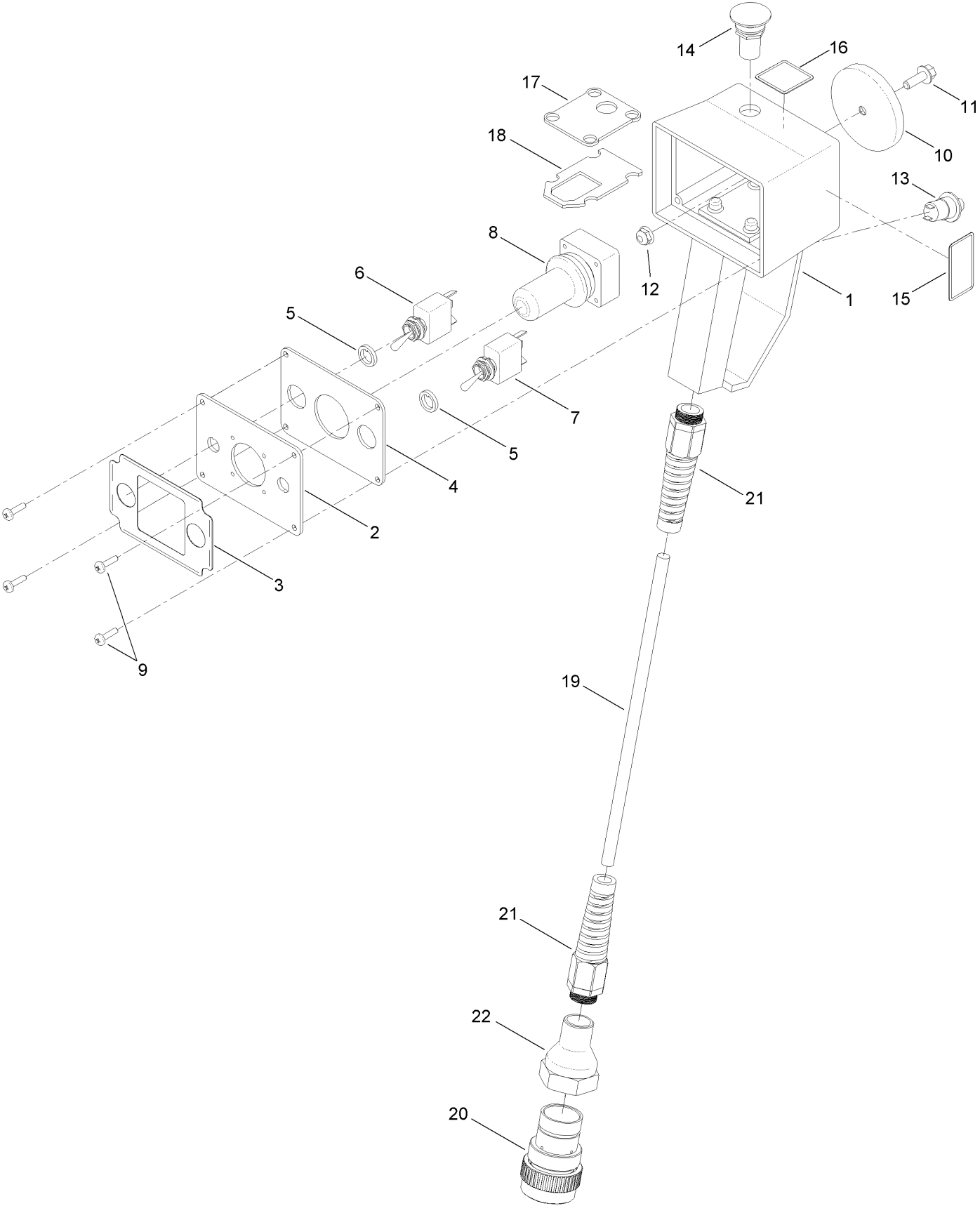
Travel Pendant and Life Jacket Assembly



Travel Pendant and Life Jacket Assembly (continued)

<i>Ref.</i>	<i>Part Number</i>	<i>Qty.</i>	<i>Description</i>	<i>Ref.</i>	<i>Part Number</i>	<i>Qty.</i>	<i>Description</i>
1	AU119073	1	Box-Vec, Main (A)	17	AU8EP65159	3	Switch-Proximity
2	AU119074	1	Box-Vec, Main (B)	18	9107964	6	Screw-PPH
3	AU119075	1	Box-Vec, Main (C)	19	32149-7	6	Nut-Keps
4	AU117892	1	Computer-Expander, Output	20	3296-1	4	Nut-Lock
5	3250-17	4	Screw-PPH	21	81-0130	12	Nut-Flange, NI
6	122-0105	1	Cable-Battery, Positive	22	33103-025	12	Screw-HHF
7	122-0106	1	Cable-Battery, Negative	23	AU115133	2	Connector-Pack, Resistor
8	122-0091	1	Cable-Battery, Positive	24	125-1628	1	Life Jacket ASM
9	122-0092	1	Cable-Battery, Positive	26	122-0084	1	Harness-Wire, Fusible Link
10	125-1629	1	Travel Pendant ASM	27	33093-00	2	Washer-Flat
11	AU100315	2	Screw-Flange, Metric	28	AU117890	1	Controller ASM (88 Pin, Unprogrammed)
12	AUR52278	1	Switch-Disconnect, Master	29	AU105186	1	Post-Battery, Remote
13	121-5159	1	Ignition Switch ASM	30	32149-10	4	Nut-Keps
13:2	121-5160	1	Nut-Hex	31	33103-030	3	Screw-HHF
13:3	121-5161	1	Nut-Face	32	3269-28	1	Rivet-Pop
13:4	121-5162	1	Ignition Key Set	33	1-3153	4	Screw-PRH, Slotted
14	AU8EO21401	1	Type T-2 Socket ASM	34	3296-52	4	Nut-Lock, NI
15	122-0224	1	Lamp-Led				
16	AU8EO21406	1	Lens-Dome, Fluted Amber (Type T2)				

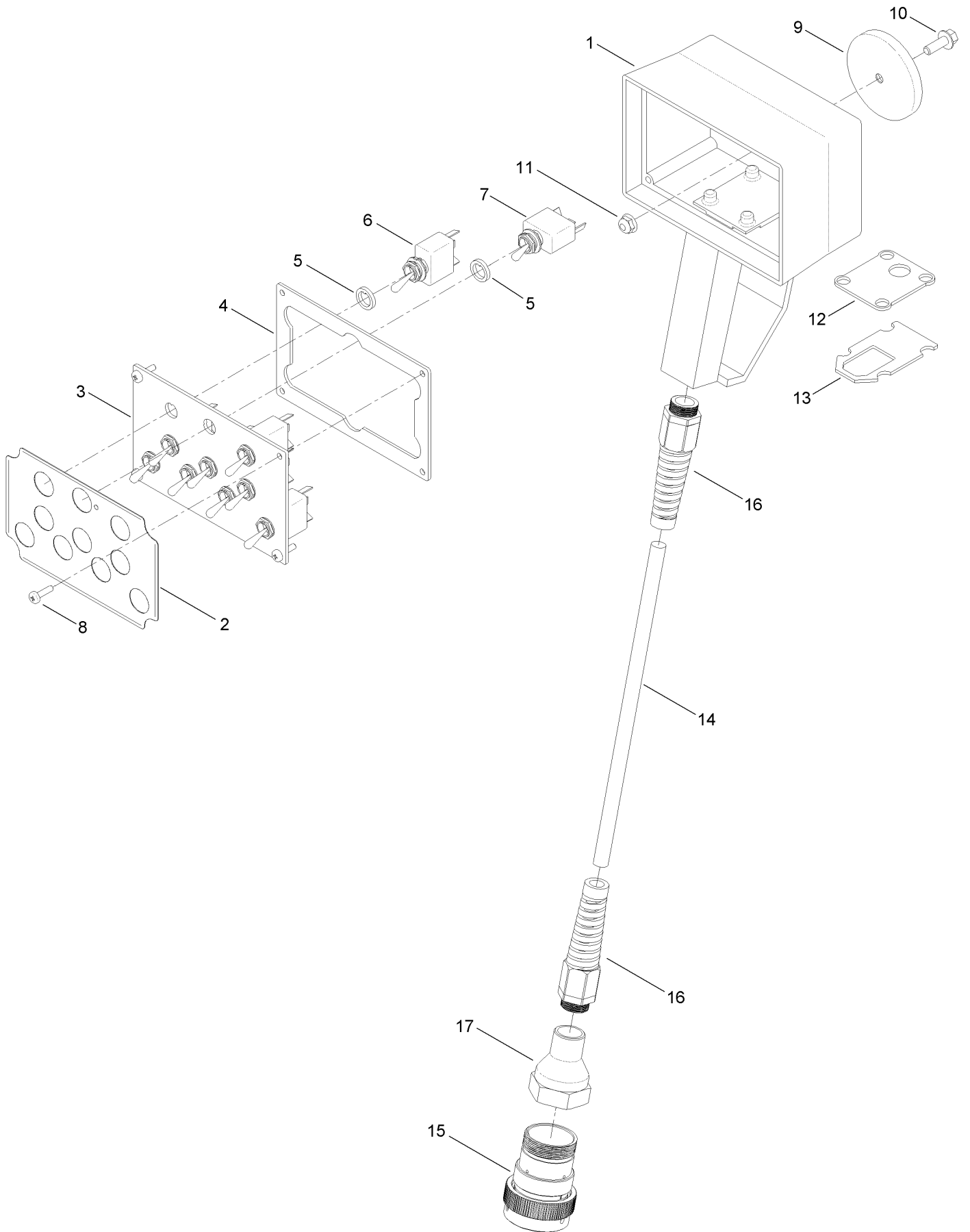
Travel Pendant Assembly No. 125-1629



Travel Pendant Assembly No. 125-1629 (continued)

<i>Ref.</i>	<i>Part Number</i>	<i>Qty.</i>	<i>Description</i>	<i>Ref.</i>	<i>Part Number</i>	<i>Qty.</i>	<i>Description</i>
1	125-1612	1	Enclosure-Handheld	12	104-7201	1	Nut-HF
2	125-1636	1	Plate-Joystick	13	125-1616	1	Switch-Momentary
3	125-1641	1	Decal-Travel Pendant	14	125-1592	1	Switch-Push Button
4	125-1643	1	Gasket-Enclosure	15	125-1621	1	Decal-Operator Presence
5	125-1619	2	Seal-Switch	16	125-1622	1	Decal-Emergency Stop
6	125-1615	1	Switch	17	125-1609	1	Gasket-Handle, Inner
7	125-1611	1	Switch	18	125-1610	1	Gasket-Handle, Outer
8	125-1590	1	Joystick	19	125-1606	1	Cable-Travel Pendant
9	125-1630	4	Screw-PPH	20	32160-404	1	Plug-Connetor
10	T0002-8729	1	Magnet-Ceramic, Encased	21	125-1632	1	Grip-Cord
11	120-9678	1	Screw-HHF	22	125-1625	1	Coupler

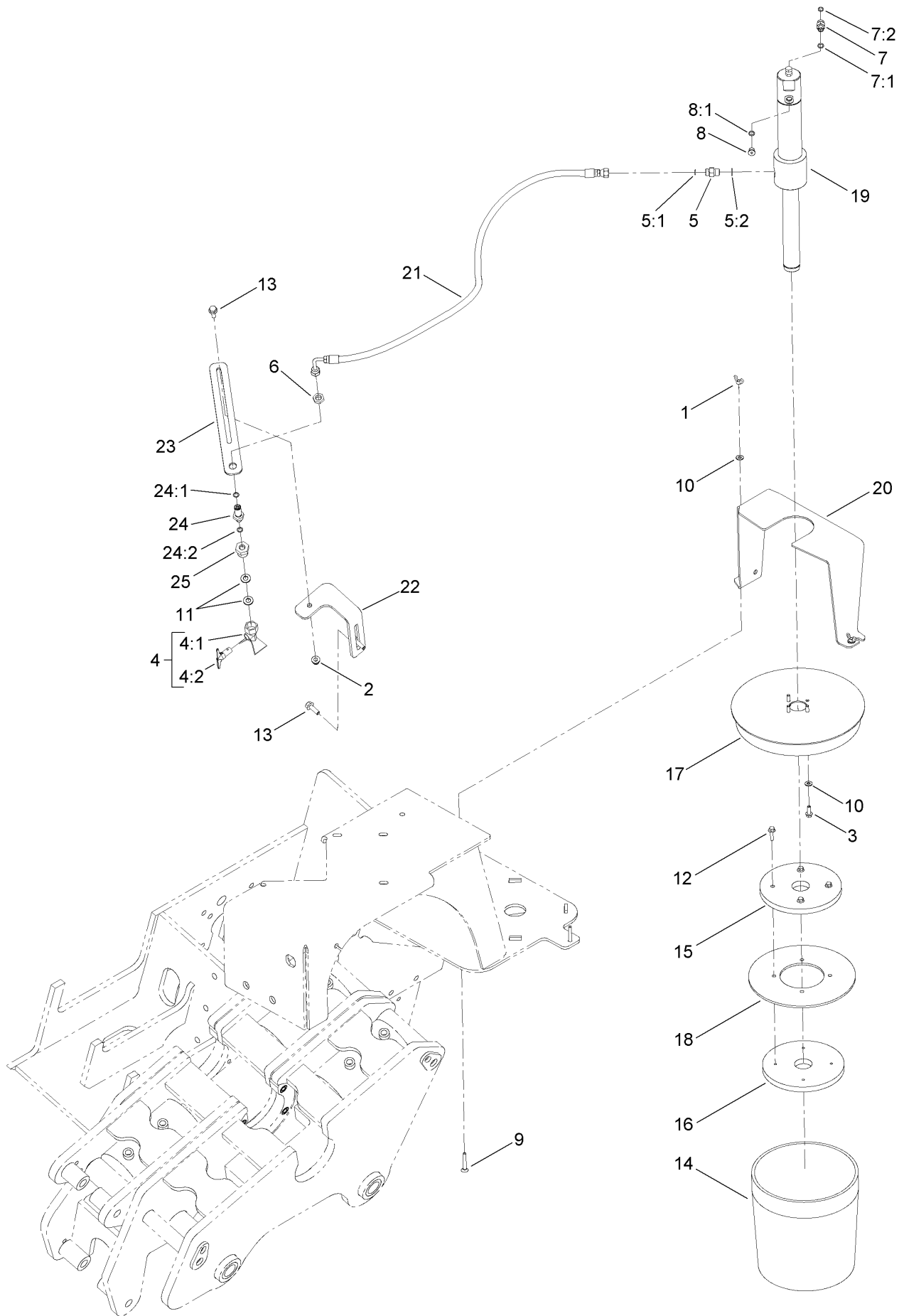
Life Jacket Assembly No. 125-1628



Life Jacket Assembly No. 125-1628 (continued)

<i>Ref.</i>	<i>Part Number</i>	<i>Qty.</i>	<i>Description</i>	<i>Ref.</i>	<i>Part Number</i>	<i>Qty.</i>	<i>Description</i>
1	125-1614	1	Enclosure-Handheld	10	120-9678	1	Screw-HHF
2	125-1623	1	Decal-Life Jacket	11	104-7201	1	Nut-HF
3	125-1624	1	Plate-Life Jacket	12	125-1609	1	Gasket-Handle, Inner
4	125-1647	1	Gasket-Life Jacket	13	125-1610	1	Gasket-Handle, Outer
5	125-1619	10	Seal-Switch	14	125-1608	1	Cable-Life Jacket
6	125-1615	9	Switch	15	32160-403	1	Deutsch 23F
7	125-1620	1	Switch	16	125-1632	1	Grip-Cord
8	125-1630	4	Screw-PPH	17	125-1626	1	Coupler
9	T0002-8729	1	Magnet-Ceramic, Encased				

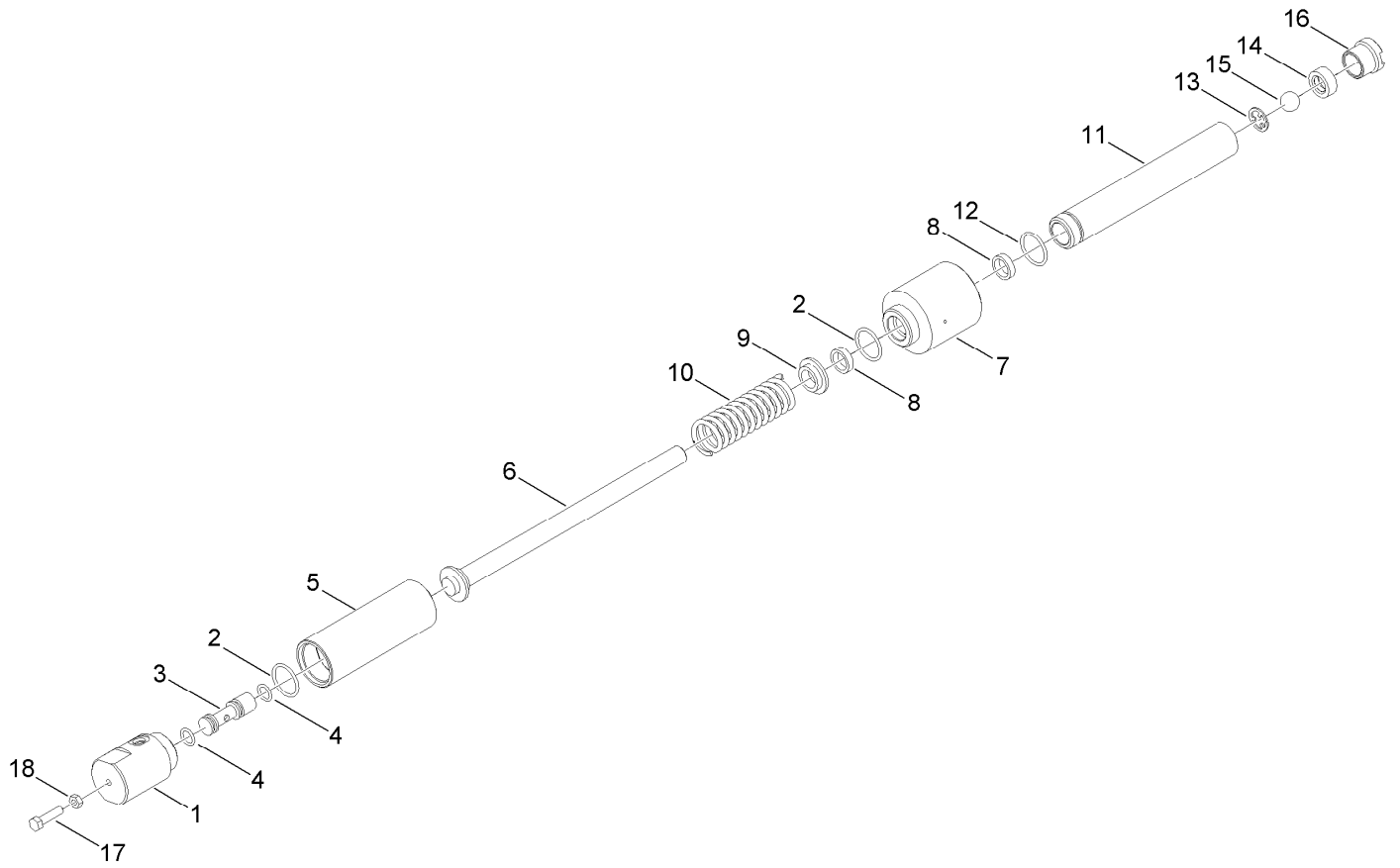
Tool Joint Lube Applicator Assembly



Tool Joint Lube Applicator Assembly (continued)

<i>Ref.</i>	<i>Part Number</i>	<i>Qty.</i>	<i>Description</i>	<i>Ref.</i>	<i>Part Number</i>	<i>Qty.</i>	<i>Description</i>
1	1-543792	2	Wingnut	11	3256-24	2	Washer-Flat
2	104-3082	1	Nut-Lock, HHF	12	33103-025	4	Screw-HHF
3	120-9678	4	Screw-HHF	13	33104-025	3	Screw-HHF
4	125-4539	1	Spray Nozzle ASM	14	AU01DT9904	1	Compound-Thread
4:1	125-4540	1	Nozzle-Airless, Spray	15	AU108640-03	1	Plate
4:2	125-4541	1	Orifice Insert ASM	16	AU108641-03	1	Plate
5	340-1	1	Fitting-HYD, Straight	17	AU108790-03	1	Cover-Applicator, Lube
5:1	237-21	1	O-Ring	18	AU108814	1	Seal-Rubber, Follower
5:2	237-42	1	O-Ring	19	AU108837	1	HYD Grease Pump ASM
6	340-78	1	Nut-Lock	20	AU109840-03	1	Cover-Grease Tied Down
7	340-92	1	Fitting-HYD, Straight	21	AU119788	1	HYD Hose ASM
7:1	237-78	1	O-Ring	22	AU121079-03	1	Bracket-Mount, Nozzle
7:2	237-21	1	O-Ring	23	AU121080-03	1	Mount-Slide, Nozzle
8	353-990	1	Plug ASM	24	AU80A90404	1	Fitting-Straight
8:1	237-78	1	O-Ring	24:1	237-21	1	O-Ring
9	3229-5	2	Screw-CARR	24:2	237-78	1	O-Ring
10	3256-22	6	Washer-Flat	25	AU8SA31004	1	Reducer-Straight, Threaded

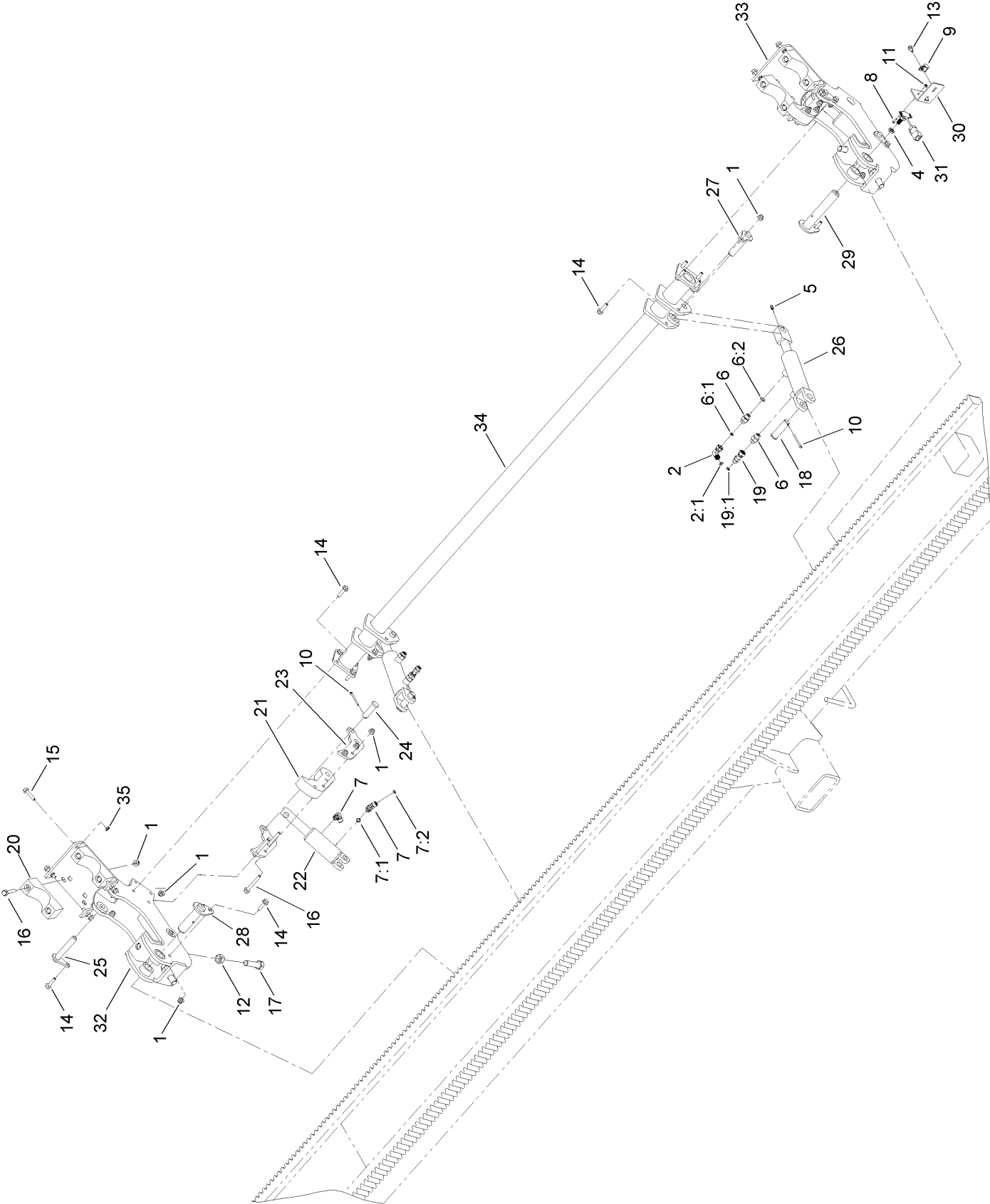
Grease Pump Assembly No. AU108837



Grease Pump Assembly No. AU108837 (continued)

<i>Ref.</i>	<i>Part Number</i>	<i>Qty.</i>	<i>Description</i>	<i>Ref.</i>	<i>Part Number</i>	<i>Qty.</i>	<i>Description</i>
1	AU108858-03	1	Cap-Cylinder	10	AU108870	1	Spring
2	AU8HS51920	2	Seal-O Ring	11	AU108866	1	Barrel-Pump
3	AU108861	1	Spool-Adjusting	12	AU8HS51916	1	Seal-O Ring
4	AU238-5113	2	O-Ring	13	AU108860	1	Clip-Retainer
5	AU108862-03	1	Barrel-Cylinder	14	AU108867	1	Valve-Seat
6	AU108865	1	Plunger	15	AU108869	1	Ball-Steel, Stainless
7	AU108859-03	1	Body-Pump	16	AU108868	1	Tube-Inlet
8	AU8HS10002	2	Seal-Deep	17	322-47	1	Screw-HH
9	AU108863	1	Guide-Rod	18	3218-2	1	Nut-Jam

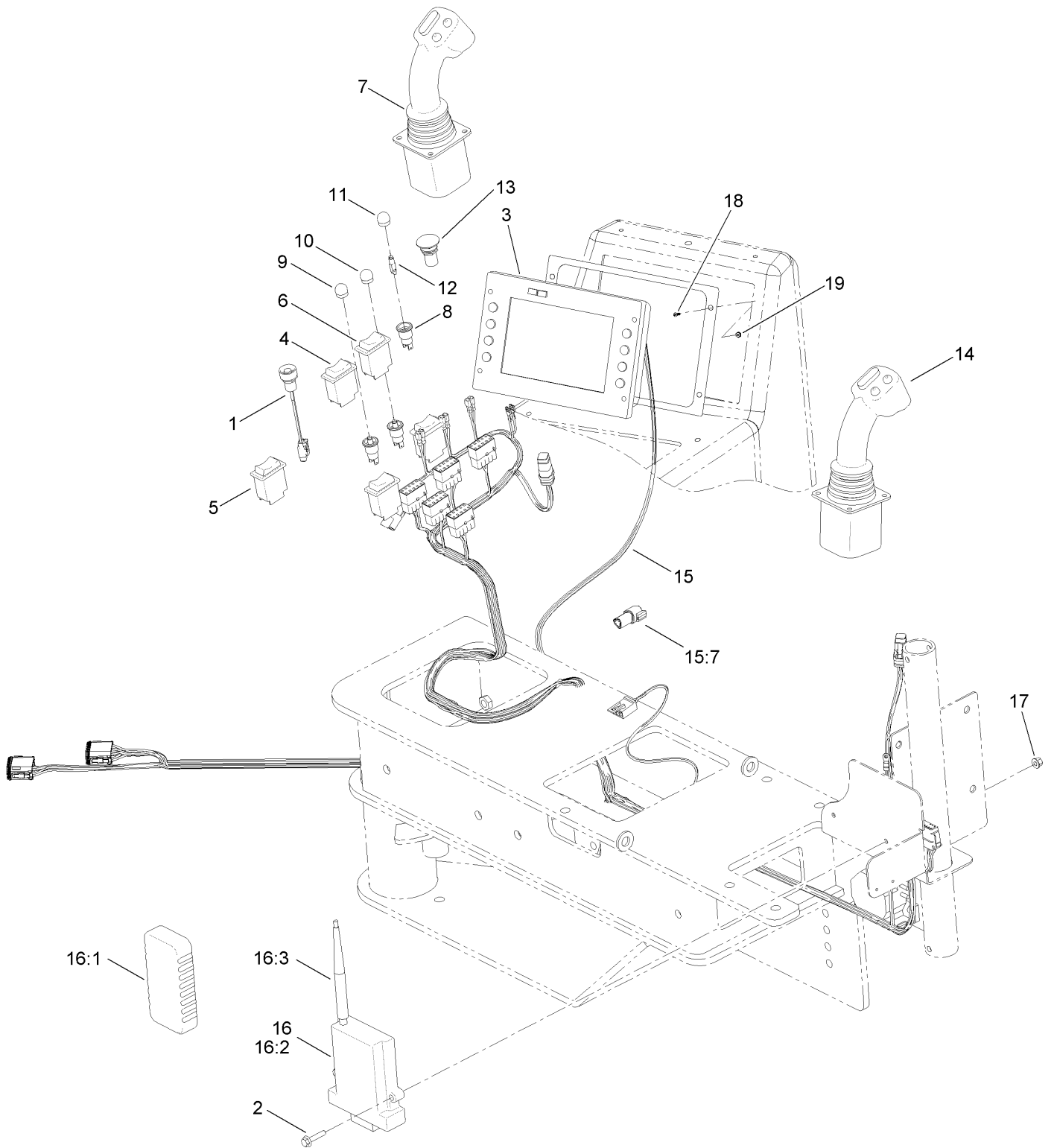
Rod Loader Assembly



Rod Loader Assembly (continued)

<i>Ref.</i>	<i>Part Number</i>	<i>Qty.</i>	<i>Description</i>	<i>Ref.</i>	<i>Part Number</i>	<i>Qty.</i>	<i>Description</i>
1	104-3082	30	Nut-Lock, HHF	17	AU120624	4	Screw-HH
2	92-2745	1	Fitting-Adaptor	18	AU109885	2	Pin-Clevis
2:1	237-21	1	O-Ring	19	AU111506	2	Fitting-Straight
4	112-8617	1	Nut-Hex	19:1	237-21	1	O-Ring
5	302-57	3	Fitting-Grease	20	AU117448	4	Holder-Pipe
6	340-1	4	Fitting-HYD, Straight	21	AU117449	2	Insert-Gripper
6:1	237-21	1	O-Ring	22	AU117558	2	HYD Cylinder ASM
6:2	237-42	1	O-Ring	23	AU117581-03	4	Gripper
7	340-132	4	Fitting-HYD, 90 DEG	24	AU117727	2	Pin-Clevis
7:1	237-78	1	O-Ring	25	AU117806	4	Pin-Pivot (W/ Flag)
7:2	237-21	1	O-Ring	26	AU117809	2	Cylinder ASM
8	AU440-1088	2	Screw	27	AU118041	2	Pin-Pivot
9	2412-93	1	Clamp-R	28	AU118048	1	Pin-Pivot, Cam
10	3272-19	4	Pin-Cotter	29	AU124261	1	Pin-Pivot
11	32149-9	2	Nut-Hex, Keps	30	AU124266-03	1	Plate-Mount
12	33018-00	4	Nut-Hex	31	130-4461	1	Sensor-Rotary
13	33103-012	2	Screw-HHF	32	AU126409-03	1	Loader-Rod, Rear
14	33104-030	16	Screw-HHF	33	AU126410-03	1	Loader-Rod, Front
15	33104-035	8	Screw-HHF	34	AU126418-03	1	Rod-Tie
16	33104-060	14	Screw-HHF	35	117-4059	8	Nut-Hex

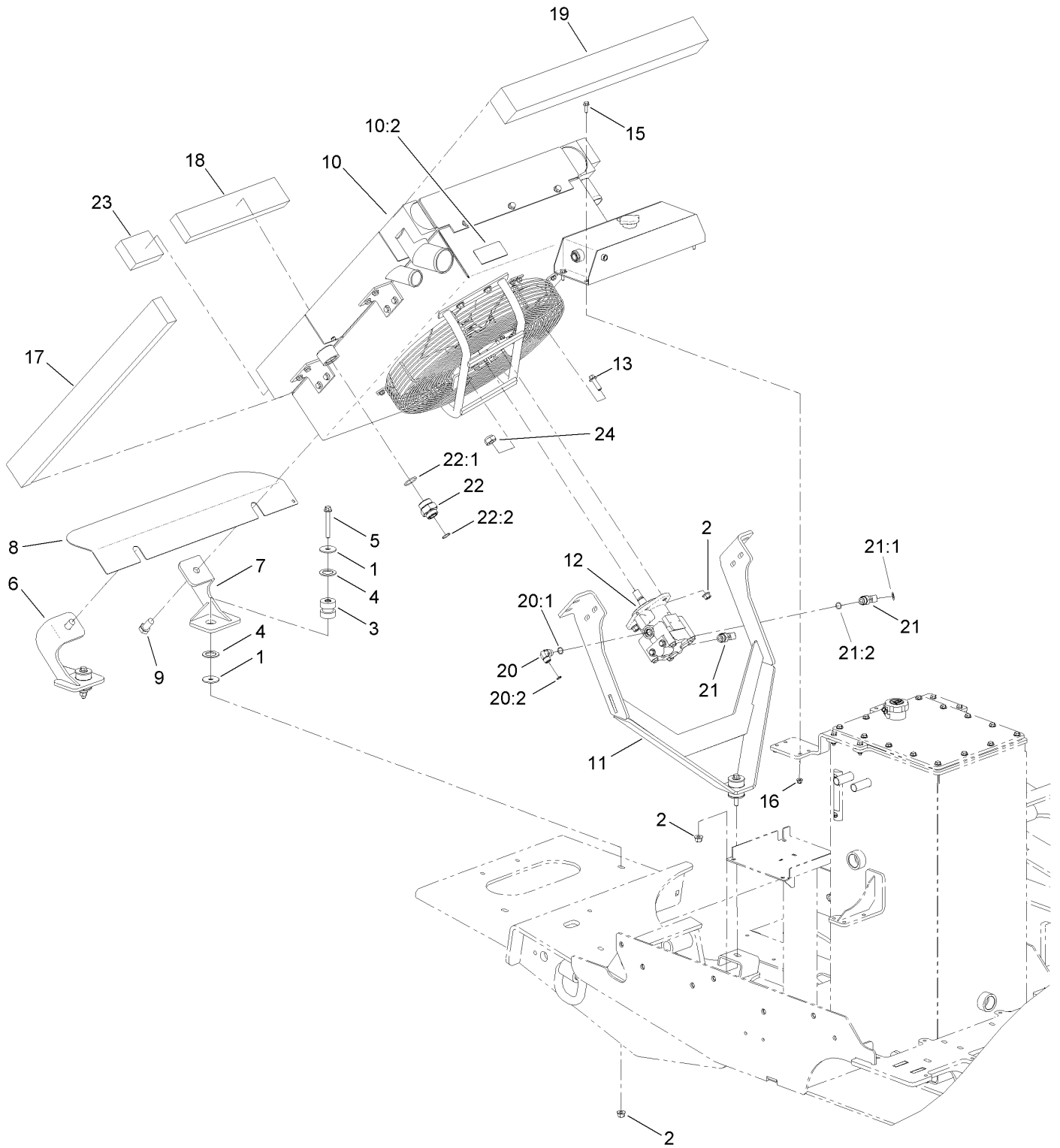
Operator Control Assembly



Operator Control Assembly (continued)

<i>Ref.</i>	<i>Part Number</i>	<i>Qty.</i>	<i>Description</i>	<i>Ref.</i>	<i>Part Number</i>	<i>Qty.</i>	<i>Description</i>
1	121-6592	1	Switch-Start, Green Button	11	AU8EO21406	1	Lens-Dome, Fluted Amber (Type T2)
2	33103-030	2	Screw-HHF	12	122-0224	3	Lamp-Led
3	AU103384	1	Display-Dp600, Unprogrammed	13	AU8EP46103	1	Button-Push, Red Mushroom
4	AU113662	2	Switch-Rocker, 2 Pole (On/Off)	14	AU8EP47613	1	Joystick-Carriage
5	AU113664	1	Switch-Rocker, 2 Pole (On)Off(On)	15	121-6585	1	Harness-Wire, Operator
6	AU113665	2	Switch-Rocker, 1 Pole (On)Off/On(Off)	15:7	32180-043	1	Resistor-120 Ohm
7	AU117962	1	Joystick-Modified (Left Hand)	16	130-4454	1	Long Range Exit Side Lockout Kit
8	AU8EO21401	3	Type T-2 Socket ASM	16:1	130-4455	1	Handheld-Lockout
9	AU8EO21402	1	Lens-Dome, Fluted Red (Type T-2)	16:2	130-4456	1	Base Unit-Lockout
10	AU8EO21403	1	Lens-Dome, Fluted Green (Type T2)	16:3	130-4462	1	Antenna-Lockout
				17	81-0130	2	Nut-Flange, NI
				18	1-3153	4	Screw-PRH, Slotted
				19	3296-52	4	Nut-Lock, NI

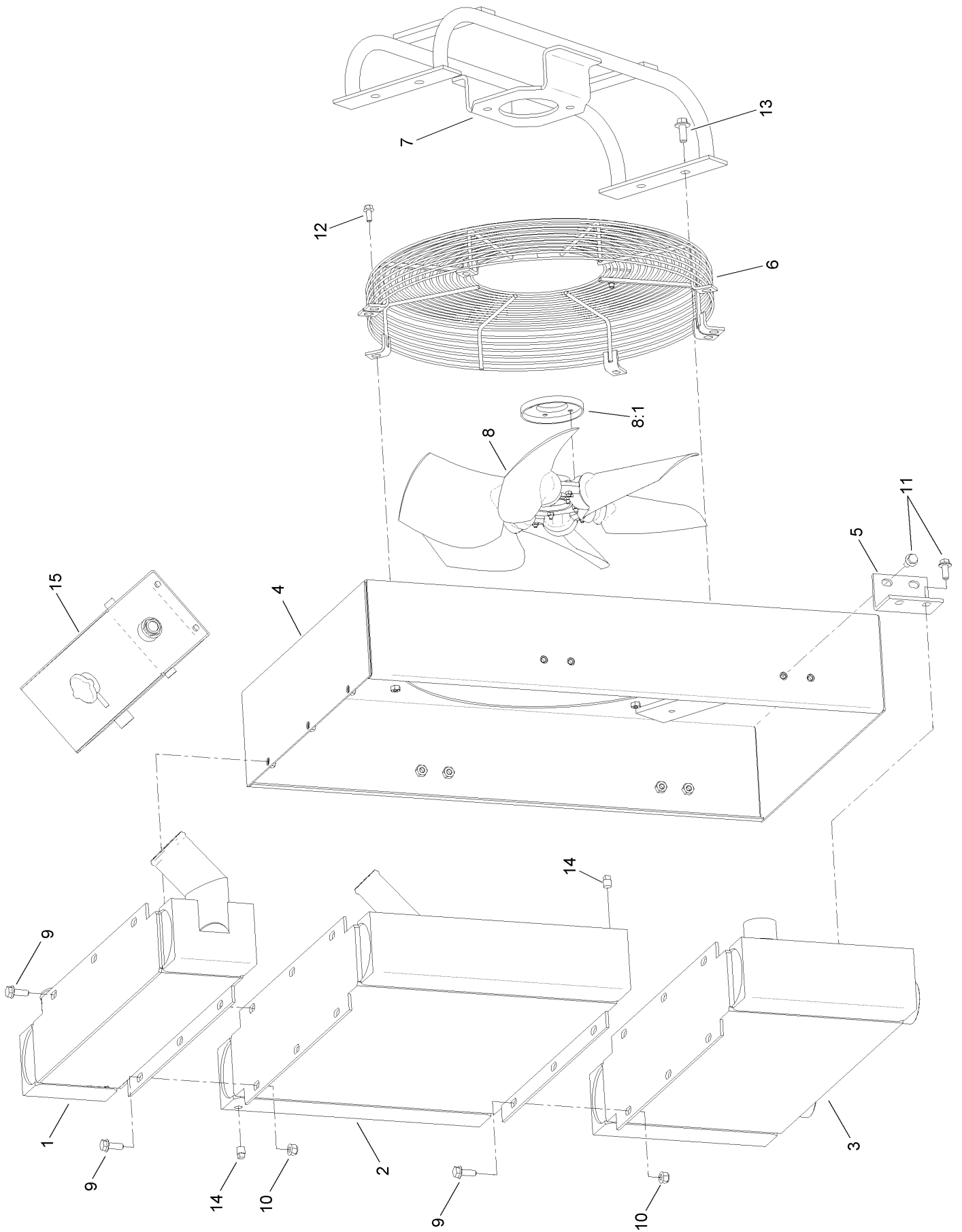
Cooling Package Assembly



Cooling Package Assembly (continued)

<i>Ref.</i>	<i>Part Number</i>	<i>Qty.</i>	<i>Description</i>	<i>Ref.</i>	<i>Part Number</i>	<i>Qty.</i>	<i>Description</i>
1	AU496-81018	6	Washer-Flat	16	104-3082	4	Nut-Lock, HHF
2	115-1115	5	Nut-Lock, HHF	17	AU130577	2	Foam-Polyurethane
3	AU8NG28121	3	Isolator-Mounting, Universal	18	AU130647	1	Foam-Polyurethane
4	AU495-81203	6	Washer	19	AU124069	1	Foam-Polyurethane
5	33106-090	3	Screw-HHF	20	340-98	1	Fitting-HYD, 90 DEG
6	AU130574-03	1	Support-Isolator, LH	20:1	237-79	1	O-Ring
7	AU130567-03	1	Support-Isolator, RH	20:2	237-30	1	O-Ring
8	AU130581-03	1	Plate-Seal, Rear Hood	21	340-89	2	Fitting-HYD, 45 DEG
9	AU426-1224	2	Bolt	21:1	237-30	1	O-Ring
10	127-0943	1	Cooling ASM	21:2	237-80	1	O-Ring
10:2	125-6127	1	Decal-Rotating Fan Hazard	22	340-80	2	Fitting-Straight
11	125-6585-03	1	Isolator-Support	22:1	237-101	1	O-Ring
12	AU118007	1	HYD Motor ASM	22:2	340-65	1	O-Ring
13	33106-040	2	Screw-HHF	23	127-0978	2	Foam-Polyurethane
15	33104-025	4	Screw-HHF	24	3296-67	1	Nut-Lock, NI

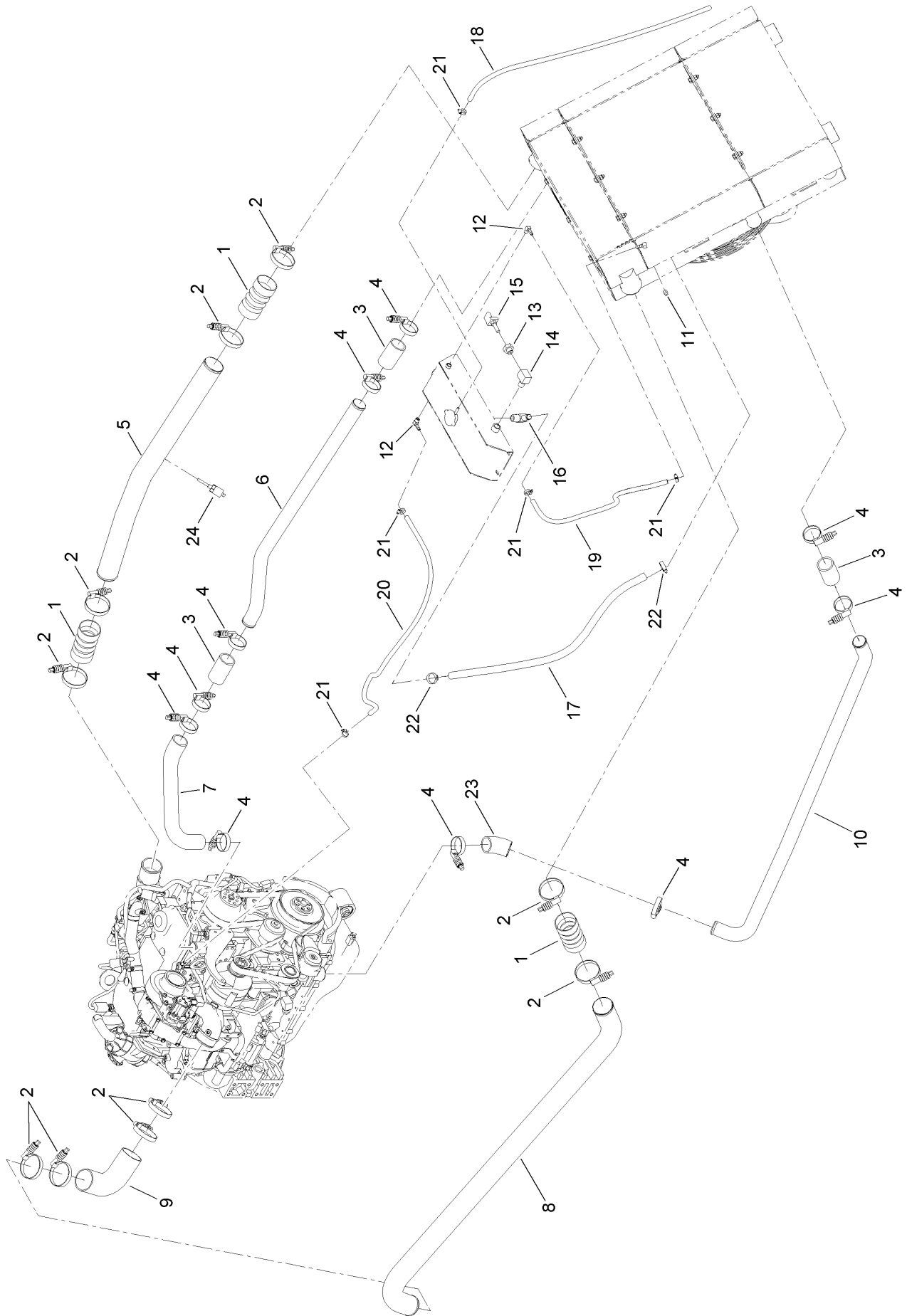
Cooler Assembly No. AU129520



Cooler Assembly No. AU129520 (continued)

<i>Ref.</i>	<i>Part Number</i>	<i>Qty.</i>	<i>Description</i>	<i>Ref.</i>	<i>Part Number</i>	<i>Qty.</i>	<i>Description</i>
1	AU130370	1	Cooler-Air, Charge	8:1	AU120861	1	Spacer-Fan
2	AU130371	1	Cooler-Radiator	9	33105-030	4	Screw-HHF
3	AU130372	1	Cooler-Oil	10	103-9511	12	Nut-Lock, NI
4	AU130378	1	Shroud-Fan	11	33105-025	16	Screw-HHF
5	125-6569	4	Plate-Mounting, Shroud	12	33104-020	8	Screw-HHF
6	AU118001	1	Guard-Fan, 22In	13	33106-030	15	Screw-HHF
7	AU117996	1	Bracket-Mounting	14	281-1	1	Plug-Pipe, SQH
8	AU118000	1	*obs* Fan-Cooling, 22In	15	AU118080	1	Tank-Fill/Surge

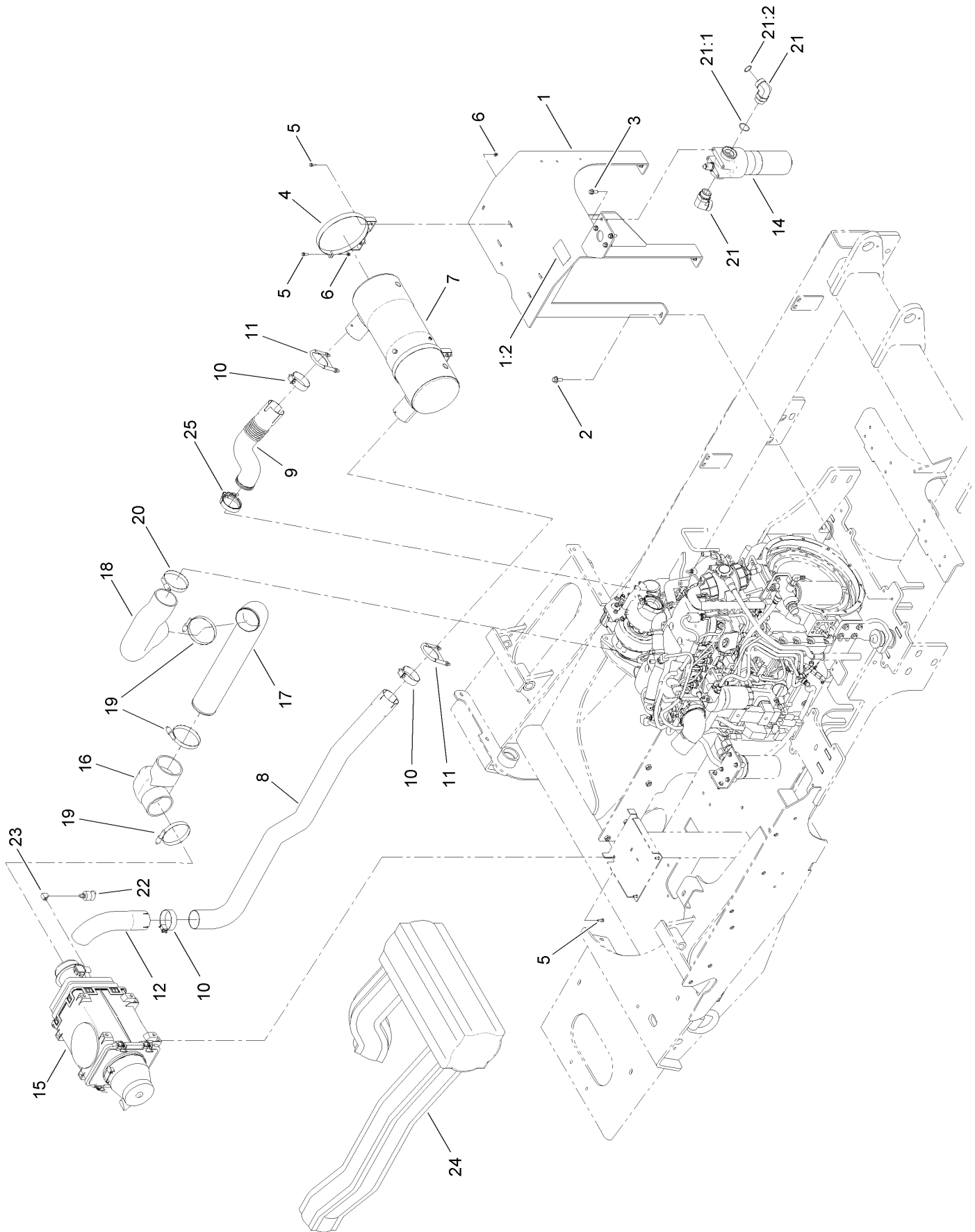
Cooling Package Hose Assembly



Cooling Package Hose Assembly (continued)

<i>Ref.</i>	<i>Part Number</i>	<i>Qty.</i>	<i>Description</i>	<i>Ref.</i>	<i>Part Number</i>	<i>Qty.</i>	<i>Description</i>
1	AU122225	3	Connector-Hose	13	96-0866	1	Fitting-Straight
2	AU21001153	10	Clamp-Torque, Constant	14	93-1339	1	Elbow-Street, 90 DEG
3	AU119806	3	Hose-Connecting	15	AU120127	1	Sensor-Level, Coolant
4	AU110569	10	Clamp-Torque, Constant	16	AU217-135	1	Stem-90, Bead Hose
5	AU130257	1	Tube-Charge Air Out	17	127-0947	1	Hose-Coolant
6	AU130305	1	Tube-Radiator	18	127-0948	1	Hose-Coolant
7	AU130451	1	Hose-Radiator, Molded	19	127-0949	1	Hose-Coolant
8	AU130307	1	Tube-Charge Air In	20	127-0950	1	Hose-Coolant
9	AU130358	1	Elbow-90	21	2412-36	5	Clamp-Hose
10	AU130137	1	Tube-Radiator, Out	22	2412-34	2	Clamp-Hose
11	281-1	1	Plug-Pipe, SQH	23	AU130857	1	Hose-Coolant, 45 Degree
12	354-93	3	Fitting-Elbow, 90	24	AU129089	1	Transducer-Temperature

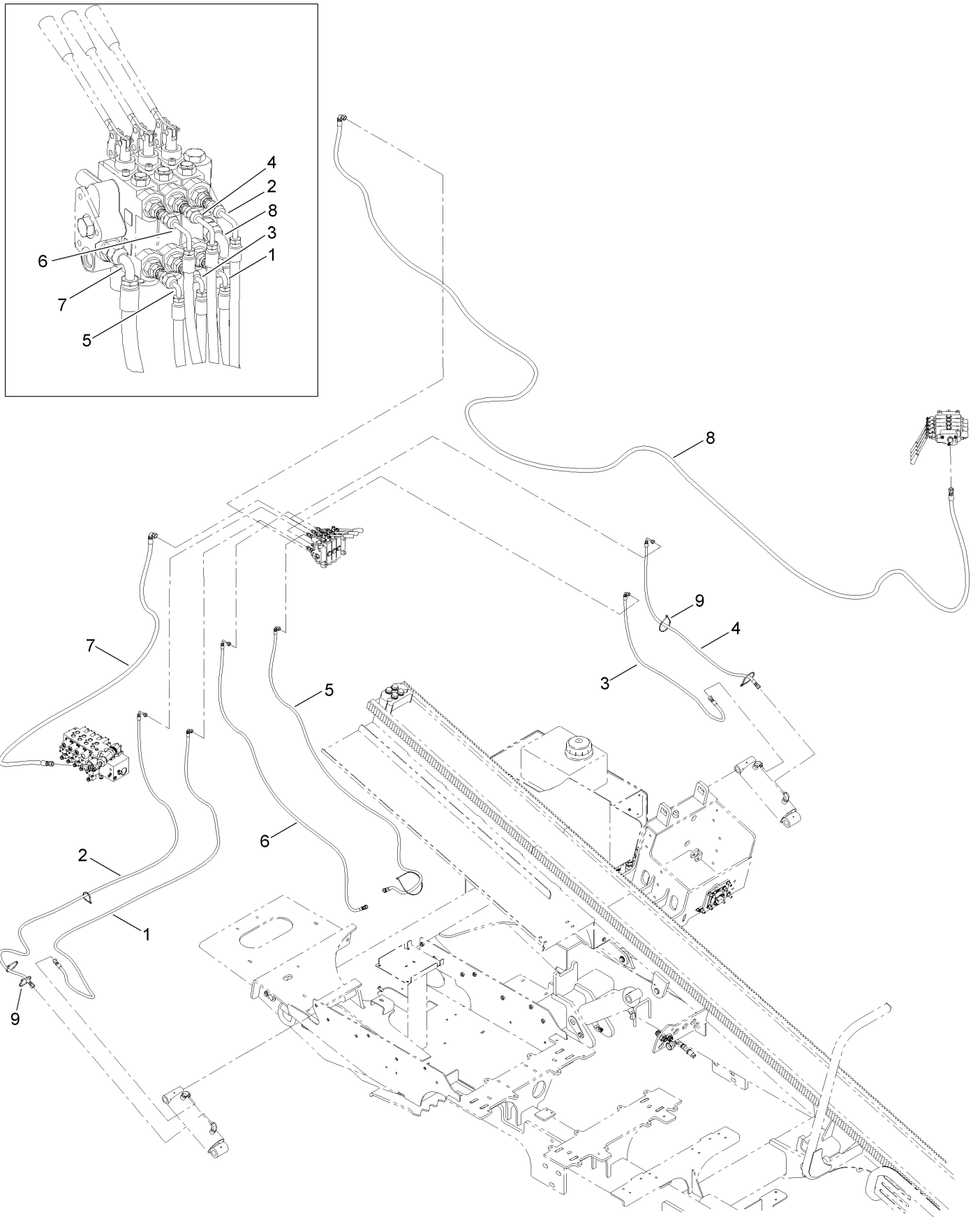
Intake and Exhaust Assembly



Intake and Exhaust Assembly (continued)

<i>Ref.</i>	<i>Part Number</i>	<i>Qty.</i>	<i>Description</i>	<i>Ref.</i>	<i>Part Number</i>	<i>Qty.</i>	<i>Description</i>
1	127-0944	1	Exhaust Mount ASM	15	125-6545	1	Air Cleaner ASM
1:2	125-6129	1	Decal-Warning, Hot Surface	16	AU130446	1	Elbow-Intake, Air Cleaner
2	33106-020	4	Screw-HHF	17	AU130308	1	Tube-Intake, Turbo
3	3234-42	4	Screw-HHF	18	AU130458	1	Hose-Intake, Turbo
4	AU117217	2	Band-Mounting, Muffler	19	AU102427	3	Clamp-Torque, Constant
5	33103-020	10	Screw-HHF	20	AU102431	1	Clamp-Torque, Constant
6	81-0130	6	Nut-Flange, NI	21	340-52	2	Fitting-Elbow, 90
7	125-6546	1	Exhaust	21:1	237-101	1	O-Ring
8	AU130306	1	Tube-Exhaust, Out	21:2	340-64	1	O-Ring
9	AU130386	1	Tube-Exhaust, Turbo	22	AU293797A1	1	Switch ASM
10	AU130579	3	Clamp-Torctite	23	AU217-1050	1	Fitting-Elbow, 90
11	AU8NG28118	2	Clamp-Guillotine	24	AU130657	1	Wrap-Exhaust
12	AUP206302	1	Pipe-Stack	25	AUA170467	1	Clamp
14	125-6580	1	Filter-Hydraulic, 70 Gpm, 6000 Psi				

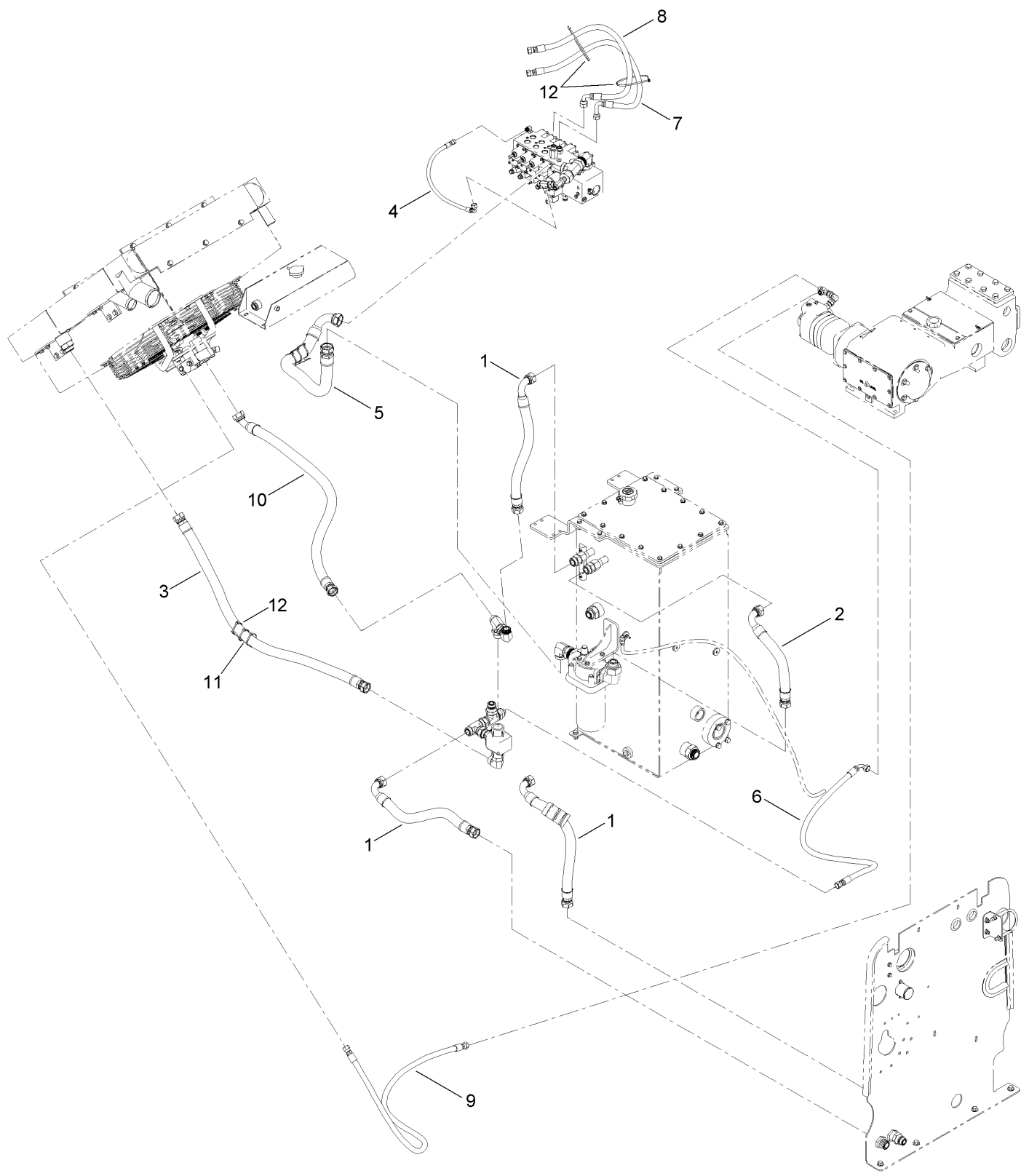
3 Spool Valve Hydraulic Plumbing Assembly



3 Spool Valve Hydraulic Plumbing Assembly (continued)

<i>Ref.</i>	<i>Part Number</i>	<i>Qty.</i>	<i>Description</i>	<i>Ref.</i>	<i>Part Number</i>	<i>Qty.</i>	<i>Description</i>
1	AU119767	1	Hose ASM-HYD	6	AU119772	1	Hose ASM-HYD
2	AU119768	1	Hose ASM-HYD	7	AU119799	1	Hose ASM-HYD
3	AU119769	1	Hose ASM-HYD	8	AU121093	1	Hose ASM-HYD
4	AU119770	1	Hose ASM-HYD	9	3290-379	6	Tie-Cable
5	AU119771	1	Hose ASM-HYD				

Hydraulic Tank Hose Plumbing Assembly



Hydraulic Tank Hose Plumbing Assembly (continued)

<i>Ref.</i>	<i>Part Number</i>	<i>Qty.</i>	<i>Description</i>	<i>Ref.</i>	<i>Part Number</i>	<i>Qty.</i>	<i>Description</i>
1	AU119779	3	Hose ASM-HYD	7	AU120426	1	Hose ASM-HYD
2	AU119790	1	Hose ASM-HYD	8	AU120427	1	Hose ASM-HYD
3	AU119798	1	Hose ASM-HYD	9	AU120428	1	Hose ASM-HYD
4	AU119801	1	Hose ASM-HYD	10	AU119796	1	Hose ASM-HYD
5	AU120423	1	Hose ASM-HYD	11	AU112950	3	Protector-Hose, 4 Inch
6	AU120425	1	Hose ASM-HYD	12	3290-379	11	Tie-Cable

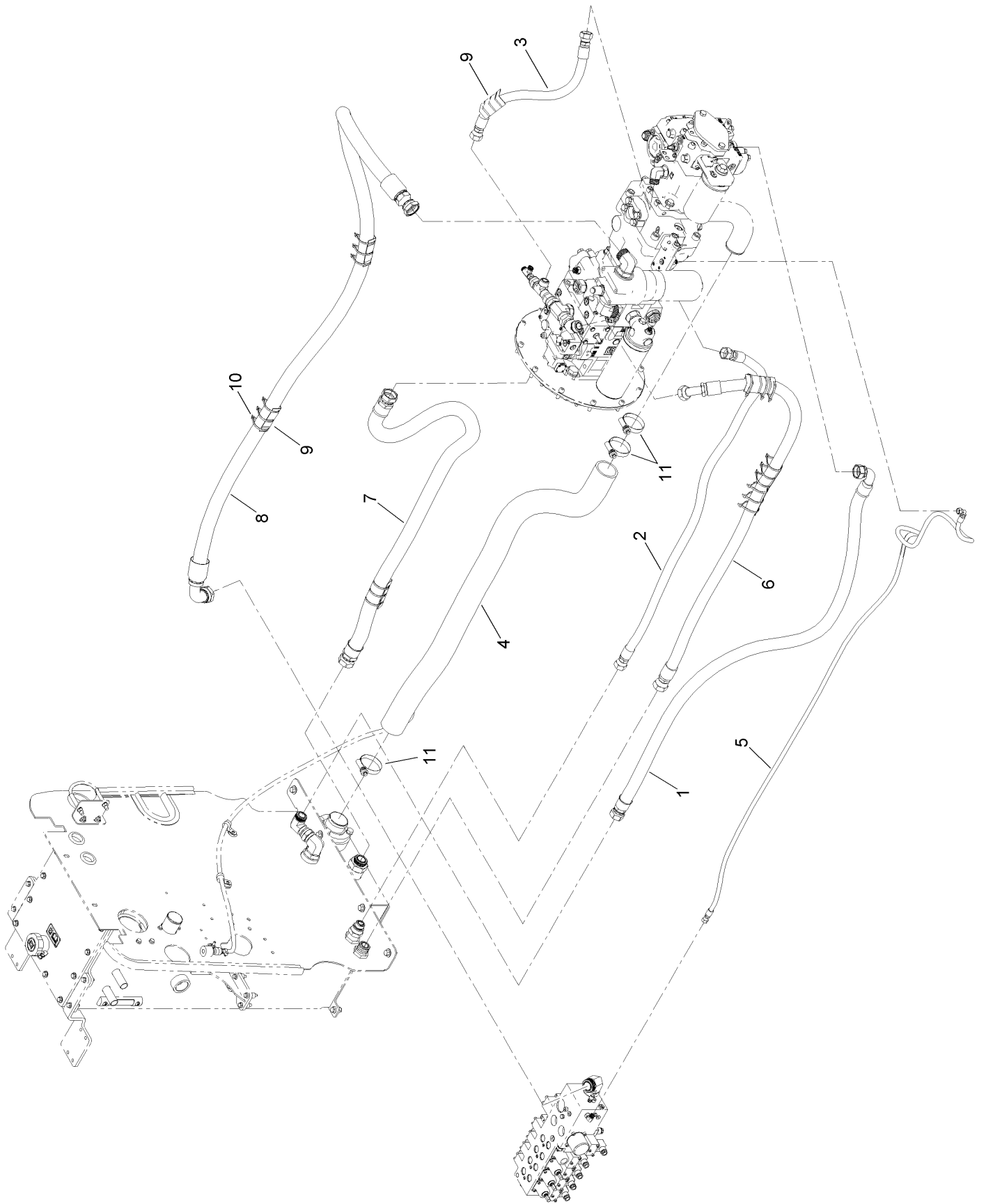
Track Pod Hydraulic Plumbing Assembly



Track Pod Hydraulic Plumbing Assembly (continued)

<i>Ref.</i>	<i>Part Number</i>	<i>Qty.</i>	<i>Description</i>	<i>Ref.</i>	<i>Part Number</i>	<i>Qty.</i>	<i>Description</i>
1	AU119747	1	Hose ASM-HYD	8	AU119778	1	Hose ASM-HYD
2	AU119748	1	Hose ASM-HYD	9	AU119783	1	Hose ASM-HYD
3	AU119749	1	Hose ASM-HYD	10	AU121962	1	Hose ASM-HYD
4	AU119750	1	Hose ASM-HYD	11	127-0868	1	Hose ASM-HYD
5	127-0855	1	Hose ASM-HYD	12	AU121097	1	Hose ASM-HYD
6	AU119775	1	Hose ASM-HYD	13	AU112950	1	Protector-Hose, 4 Inch
7	127-0770	1	Hose ASM-HYD	14	3290-379	4	Tie-Cable

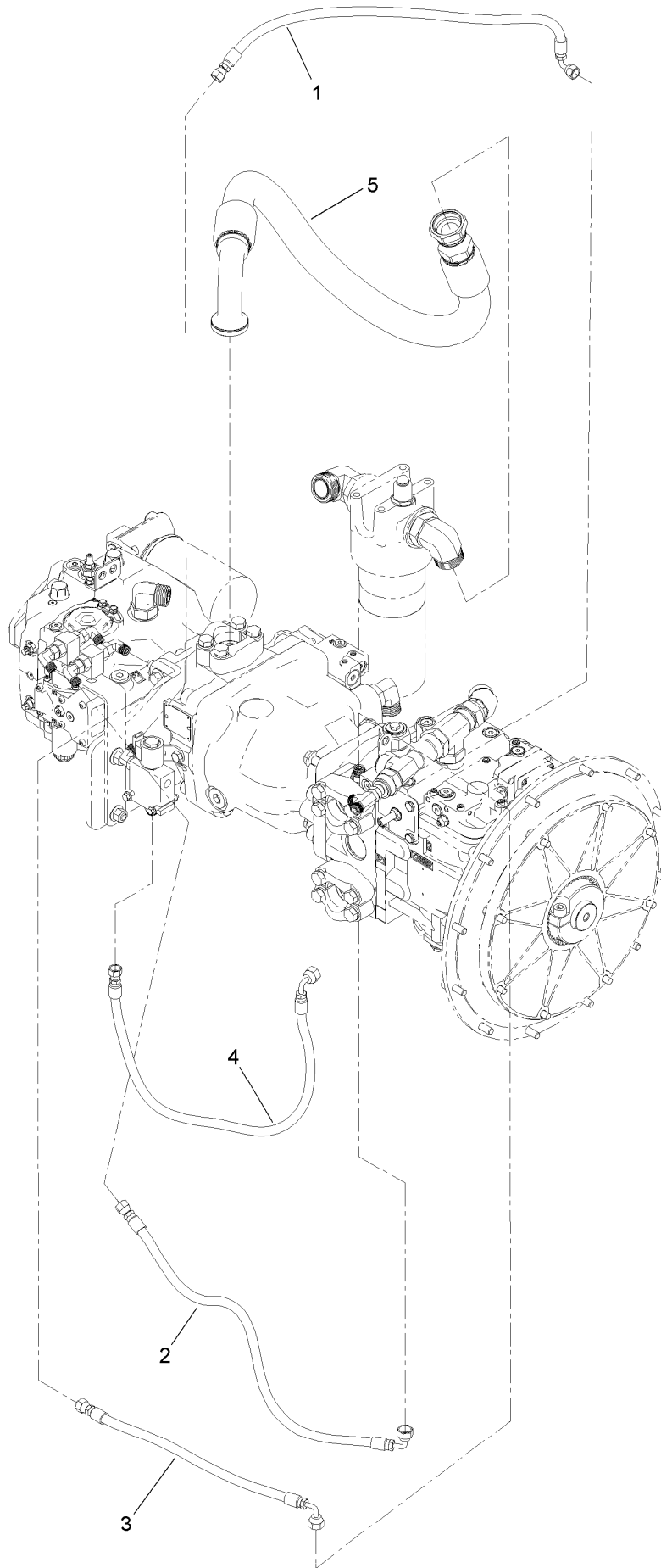
Hydraulic Pump Hose Assembly No. 1



Hydraulic Pump Hose Assembly No. 1 (continued)

<i>Ref.</i>	<i>Part Number</i>	<i>Qty.</i>	<i>Description</i>	<i>Ref.</i>	<i>Part Number</i>	<i>Qty.</i>	<i>Description</i>
1	AU121089	1	Hose ASM-HYD	7	AU120737	1	Hose ASM-HYD
2	AU126529	1	Hose ASM-HYD	8	AU121870	1	Hose ASM-HYD
3	AU119776	1	Hose ASM-HYD	9	AU112950	7	Protector-Hose, 4 Inch
4	AU119795	1	Hose-Suction	10	3290-379	21	Tie-Cable
5	AU120424	1	Hose ASM-HYD	11	104-9240	3	Clamp-Hose
6	AU120735	1	Hose ASM-HYD				

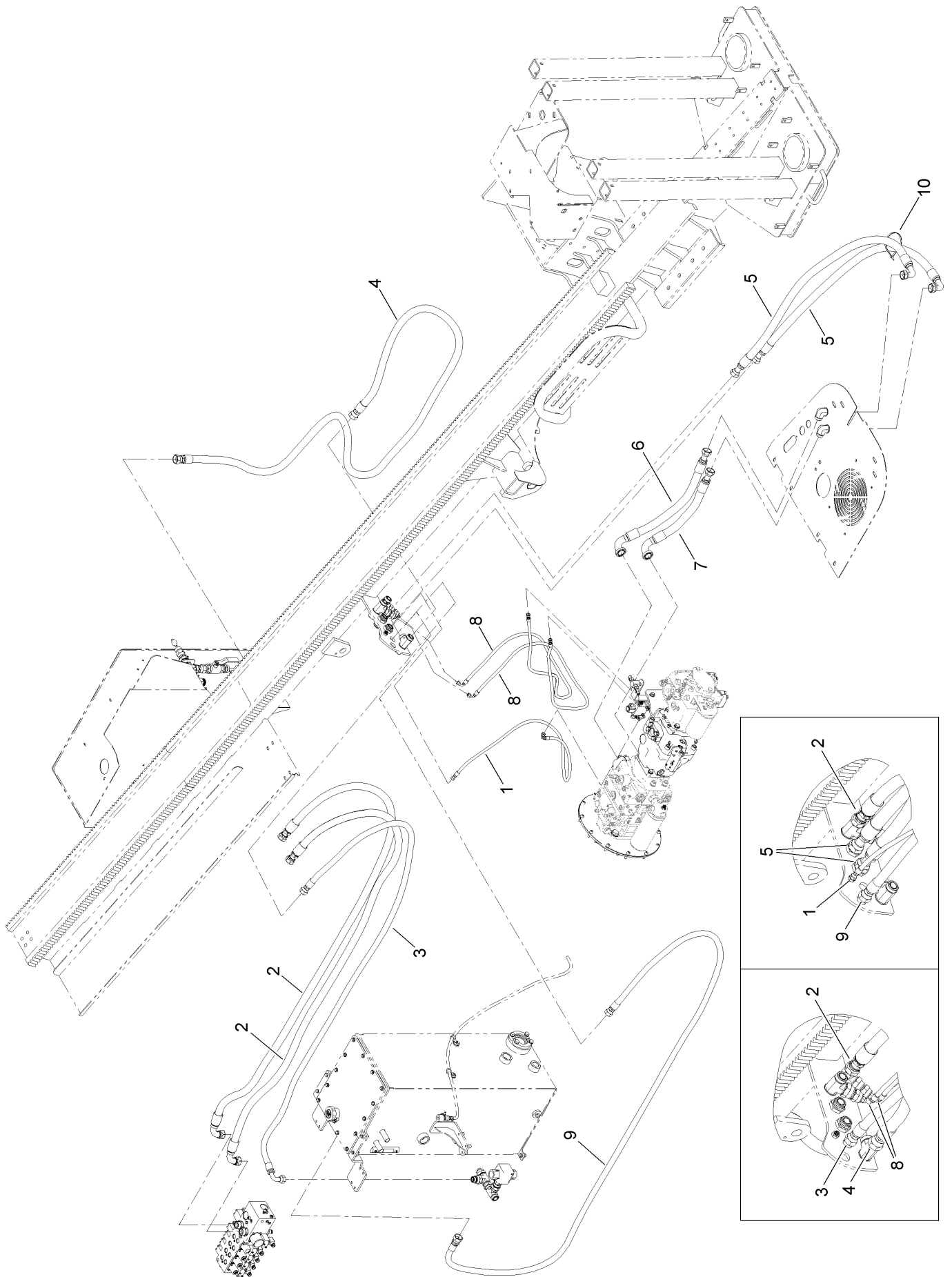
Hydraulic Pump Hose Assembly No. 2



Hydraulic Pump Hose Assembly No. 2 (continued)

<i>Ref.</i>	<i>Part Number</i>	<i>Qty.</i>	<i>Description</i>	<i>Ref.</i>	<i>Part Number</i>	<i>Qty.</i>	<i>Description</i>
1	AU119797	1	Hose ASM-HYD	4	AU126526	1	Hose ASM-HYD
2	127-0857	1	Hose ASM-HYD	5	AU121899	1	Hose ASM-HYD
3	AU120430	1	Hose ASM-HYD				

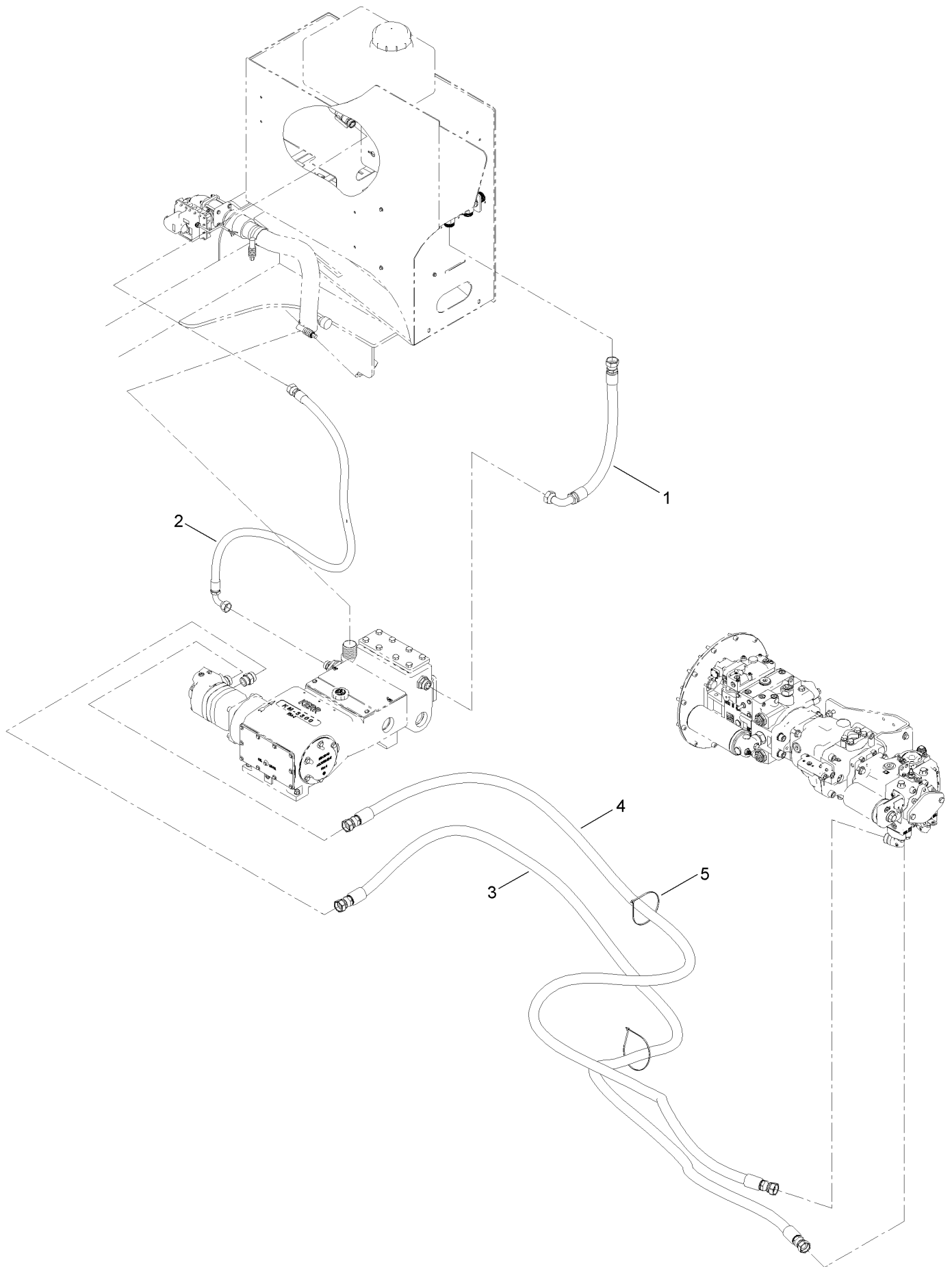
Hydraulic Pump Hose Assembly No. 3



Hydraulic Pump Hose Assembly No. 3 (continued)

<i>Ref.</i>	<i>Part Number</i>	<i>Qty.</i>	<i>Description</i>	<i>Ref.</i>	<i>Part Number</i>	<i>Qty.</i>	<i>Description</i>
1	AU120738	1	Hose ASM-HYD	6	AU126533	1	Hose ASM-HYD
2	AU120740	2	Hose ASM-HYD	7	AU126534	1	Hose ASM-HYD
3	AU120745	1	Hose ASM-HYD	8	AU120734	2	Hose ASM-HYD
4	AU120746	1	Hose ASM-HYD	9	127-0862	1	Hose ASM-HYD
5	AU126530	2	Hose ASM-HYD	10	3334-945	2	Tie-Cable

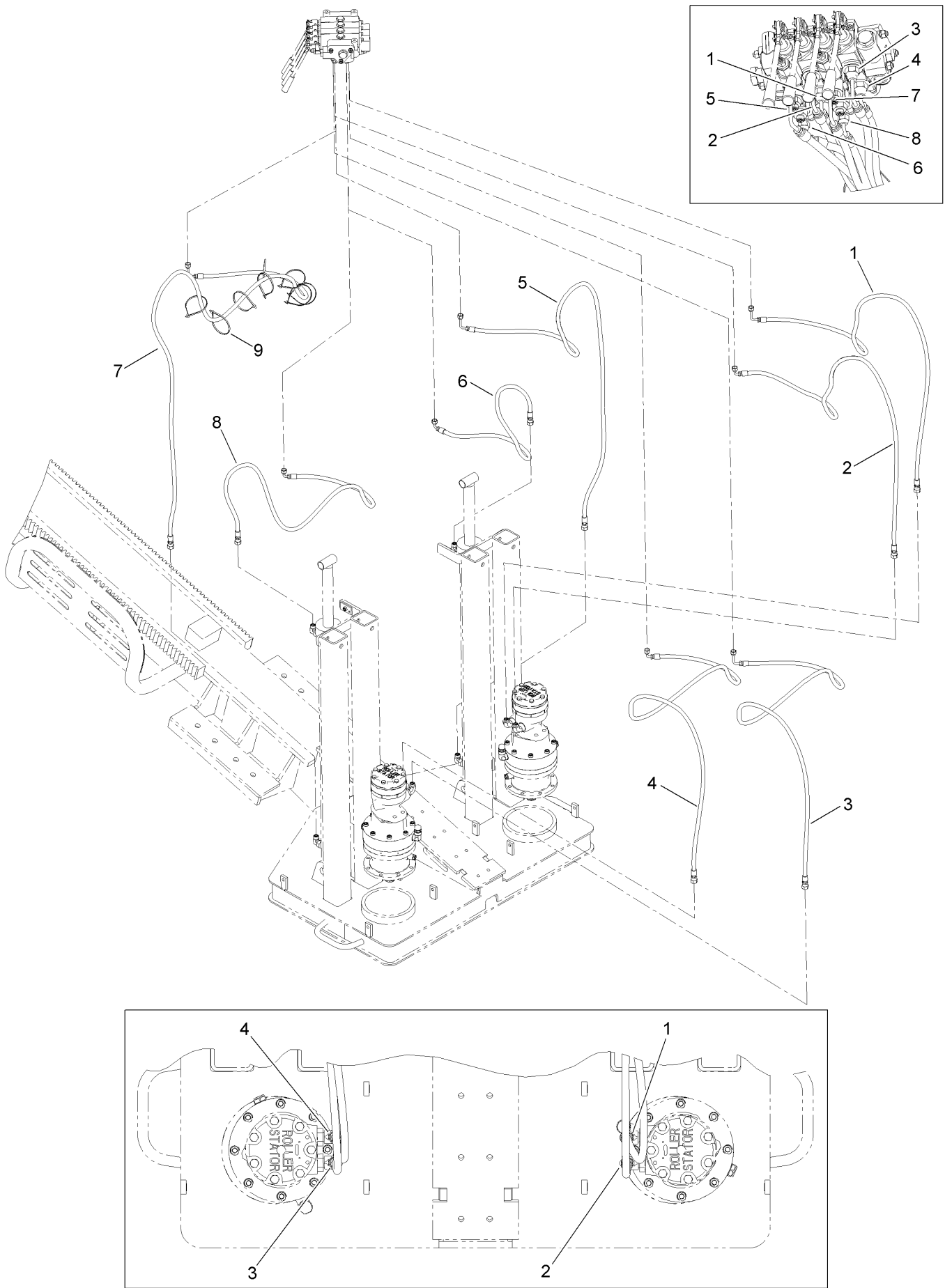
Hydraulic Pump Hose Assembly No. 4



Hydraulic Pump Hose Assembly No. 4 (continued)

<i>Ref.</i>	<i>Part Number</i>	<i>Qty.</i>	<i>Description</i>	<i>Ref.</i>	<i>Part Number</i>	<i>Qty.</i>	<i>Description</i>
1	AU117617	1	Hose ASM-HYD	4	AU126528	1	Hose ASM-HYD
2	AU119780	1	Hose ASM-HYD	5	3290-379	2	Tie-Cable
3	AU126527	1	Hose ASM-HYD				

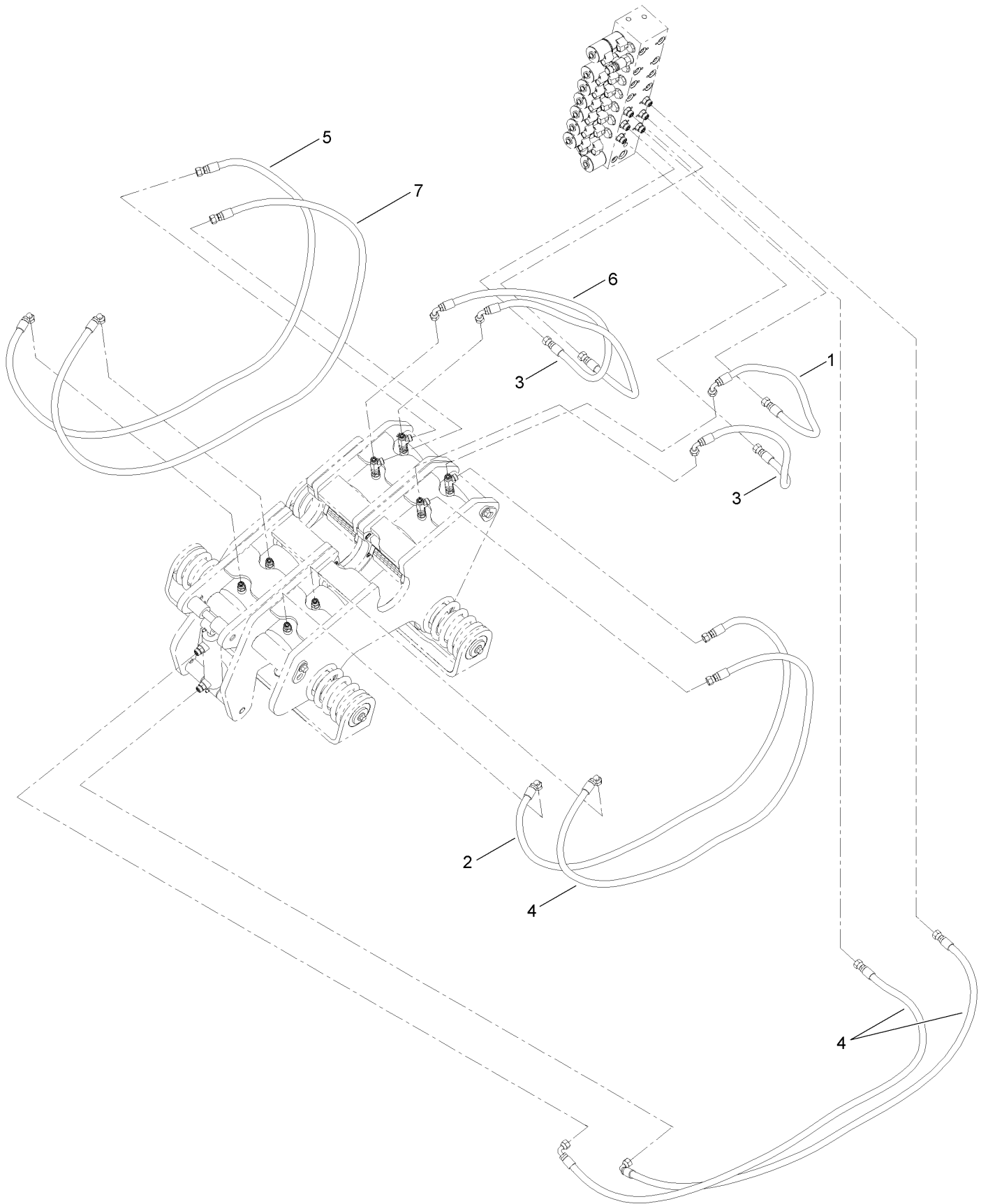
Thrust Frame Hydraulic Hose Assembly No. 1



Thrust Frame Hydraulic Hose Assembly No. 1 (continued)

<i>Ref.</i>	<i>Part Number</i>	<i>Qty.</i>	<i>Description</i>	<i>Ref.</i>	<i>Part Number</i>	<i>Qty.</i>	<i>Description</i>
1	AU126536	1	Hose ASM-HYD	6	AU126541	1	Hose ASM-HYD
2	AU126537	1	Hose ASM-HYD	7	AU126542	1	Hose ASM-HYD
3	AU126538	1	Hose ASM-HYD	8	AU126543	1	Hose ASM-HYD
4	AU126539	1	Hose ASM-HYD	9	3290-379	8	Tie-Cable
5	AU126540	1	Hose ASM-HYD				

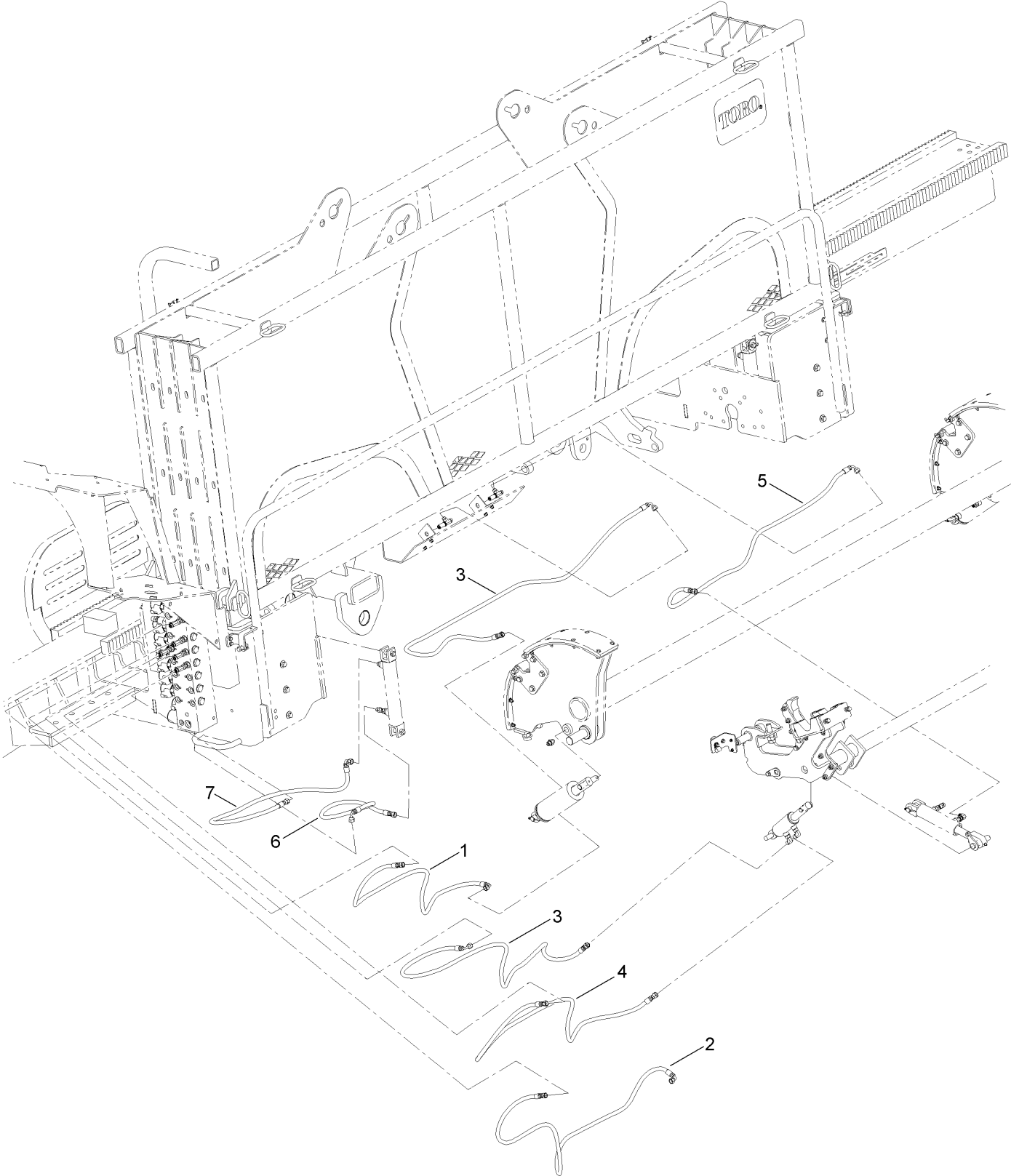
Thrust Frame Hydraulic Hose Assembly No. 2



Thrust Frame Hydraulic Hose Assembly No. 2 (continued)

<i>Ref.</i>	<i>Part Number</i>	<i>Qty.</i>	<i>Description</i>	<i>Ref.</i>	<i>Part Number</i>	<i>Qty.</i>	<i>Description</i>
1	127-0858	1	Hose ASM-HYD	5	127-0863	1	Hose ASM-HYD
2	127-0859	1	Hose ASM-HYD	6	127-0864	1	Hose ASM-HYD
3	127-0860	2	Hose ASM-HYD	7	127-0865	1	Hose ASM-HYD
4	127-0866	3	Hose ASM-HYD				

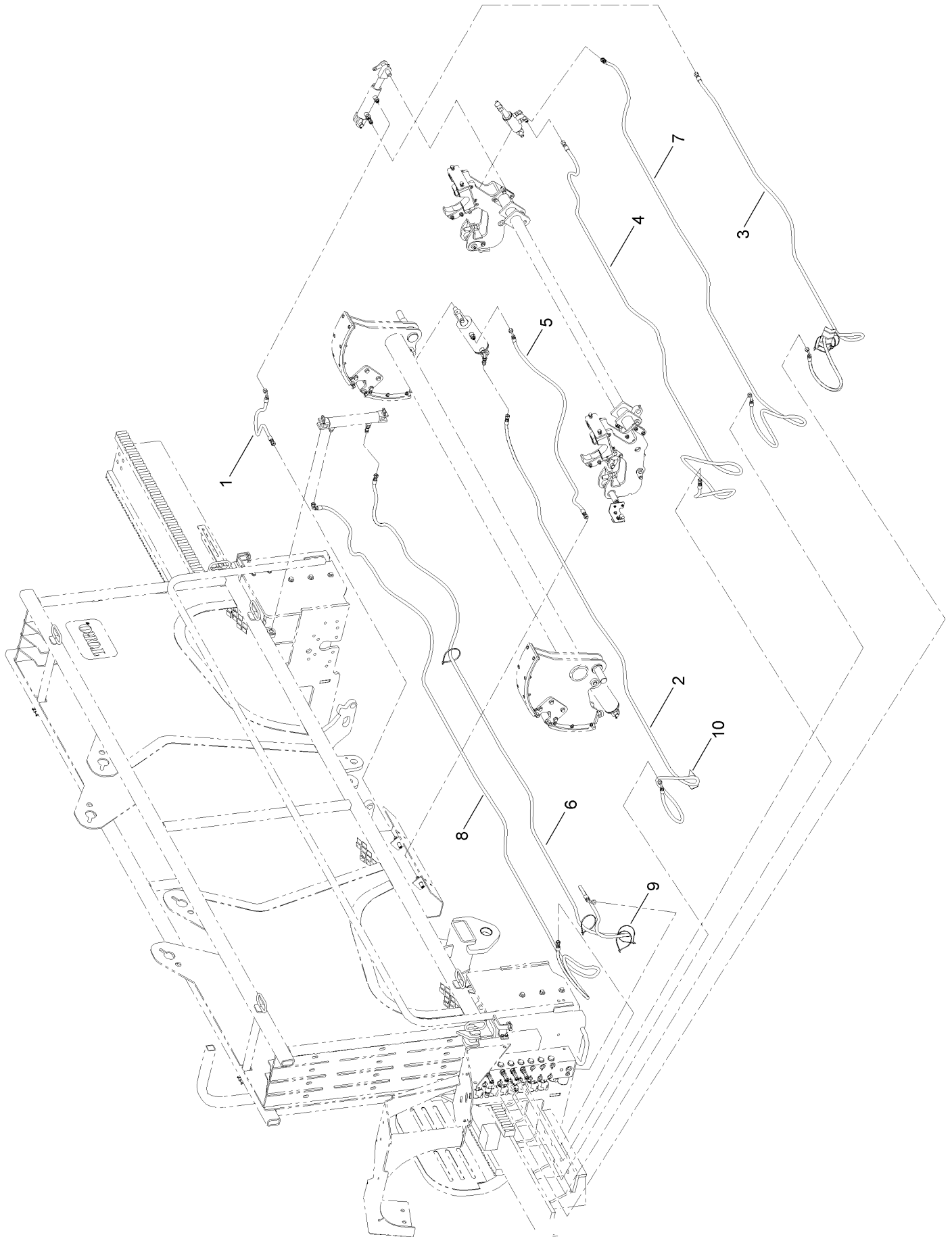
Thrust Frame Hydraulic Hose Assembly No. 3



Thrust Frame Hydraulic Hose Assembly No. 3 (continued)

<i>Ref.</i>	<i>Part Number</i>	<i>Qty.</i>	<i>Description</i>	<i>Ref.</i>	<i>Part Number</i>	<i>Qty.</i>	<i>Description</i>
1	AU121102	1	Hose ASM-HYD	5	AU120732	1	Hose ASM-HYD
2	AU120757	1	Hose ASM-HYD	6	AU120765	1	Hose ASM-HYD
3	AU120764	2	Hose ASM-HYD	7	AU120769	1	Hose ASM-HYD
4	AU120761	1	Hose ASM-HYD				

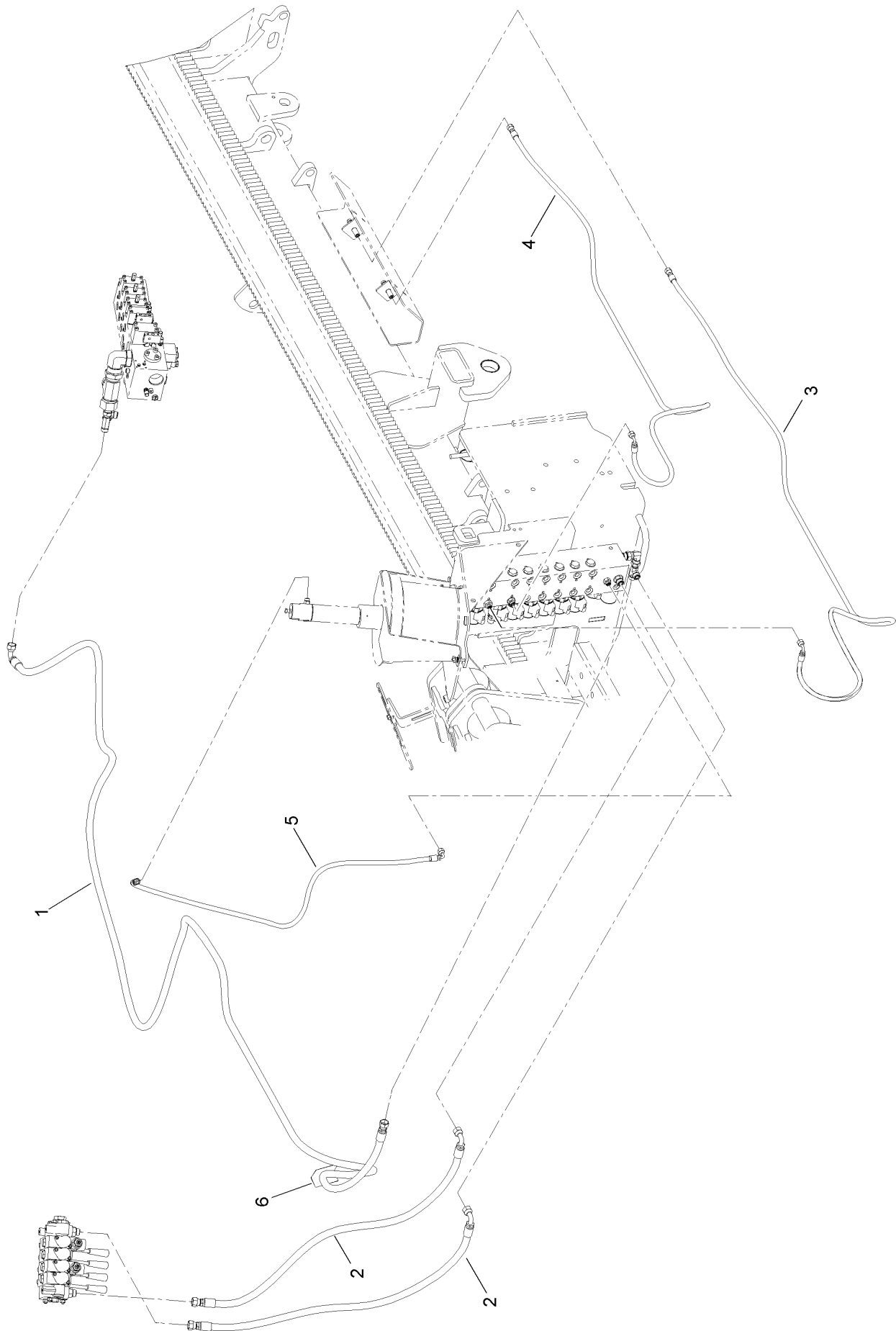
Thrust Frame Hydraulic Hose Assembly No. 4



Thrust Frame Hydraulic Hose Assembly No. 4 (continued)

<i>Ref.</i>	<i>Part Number</i>	<i>Qty.</i>	<i>Description</i>	<i>Ref.</i>	<i>Part Number</i>	<i>Qty.</i>	<i>Description</i>
1	AU119797	1	Hose ASM-HYD	6	AU120766	1	Hose ASM-HYD
2	AU120758	1	Hose ASM-HYD	7	AU120767	1	Hose ASM-HYD
3	AU120759	1	Hose ASM-HYD	8	AU120768	1	Hose ASM-HYD
4	AU120762	1	Hose ASM-HYD	9	3290-379	7	Tie-Cable
5	AU120732	1	Hose ASM-HYD	10	AU112950	2	Protector-Hose, 4 Inch

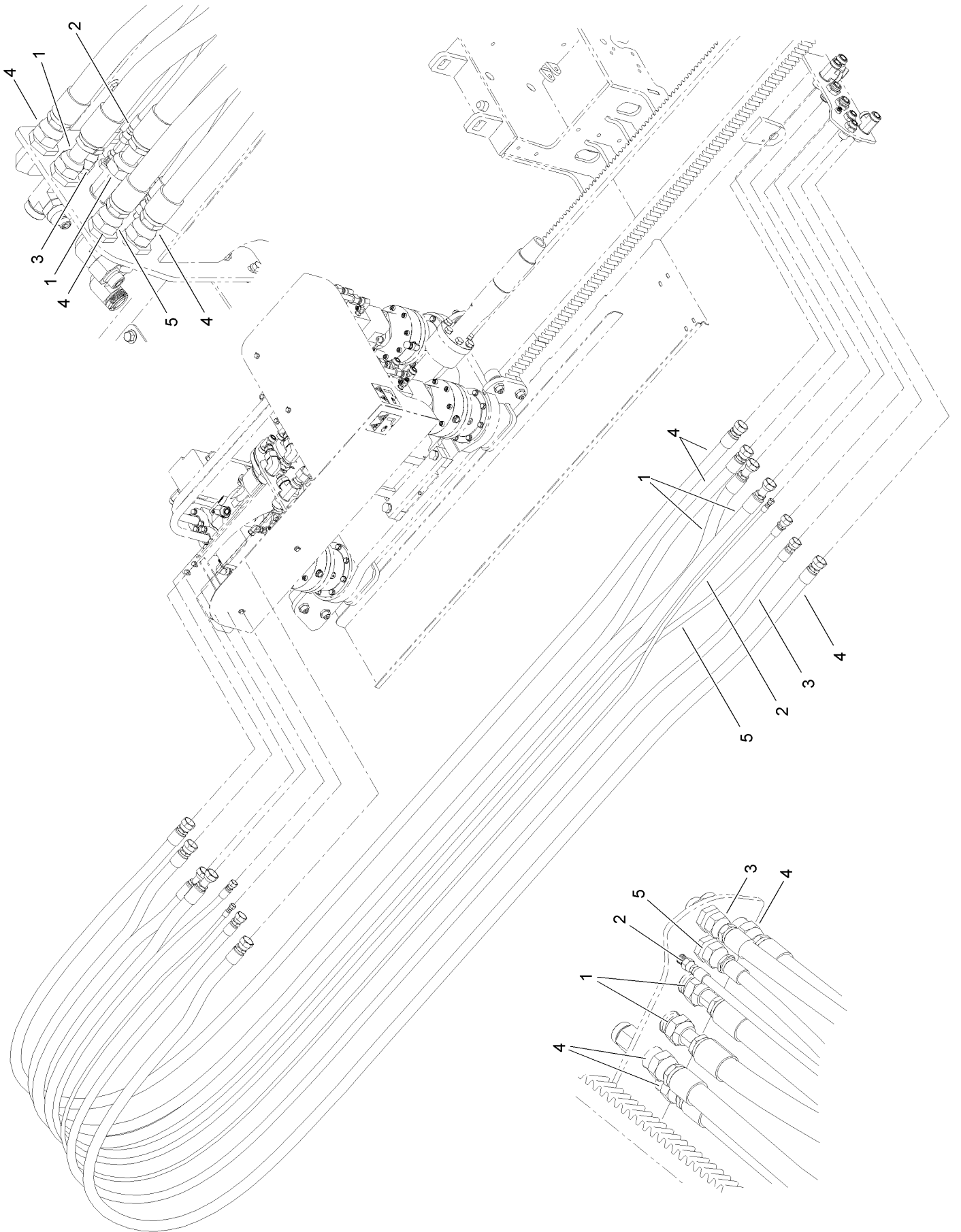
Thrust Frame Hydraulic Hose Assembly No. 5



Thrust Frame Hydraulic Hose Assembly No. 5 (continued)

<i>Ref.</i>	<i>Part Number</i>	<i>Qty.</i>	<i>Description</i>	<i>Ref.</i>	<i>Part Number</i>	<i>Qty.</i>	<i>Description</i>
1	AU121097	1	Hose ASM-HYD	4	AU120763	1	Hose ASM-HYD
2	AU121963	2	Hose ASM-HYD	5	AU124258	1	Hose ASM-HYD
3	AU121100	1	Hose ASM-HYD	6	AU112950	1	Protector-Hose, 4 Inch

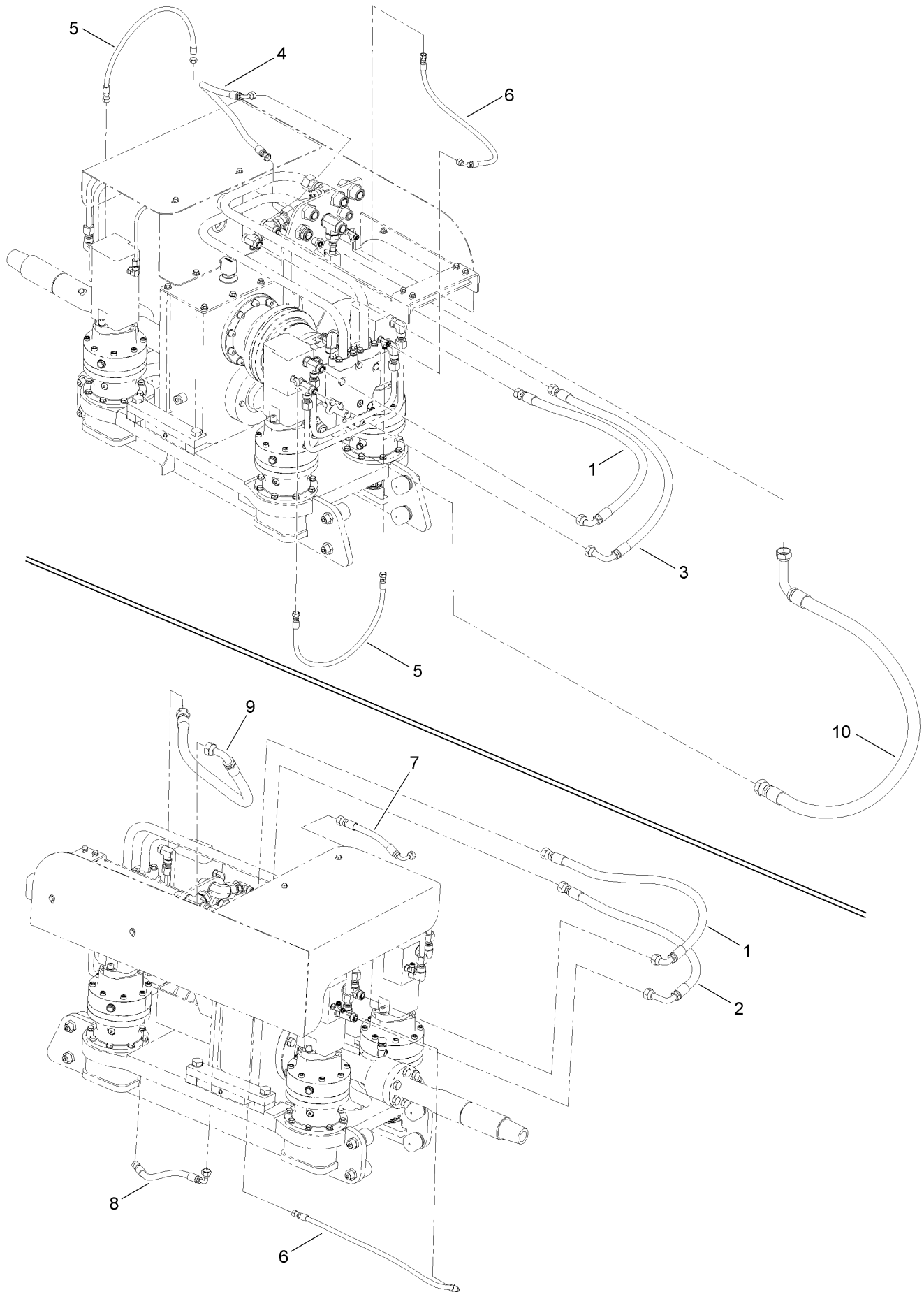
Thrust Frame Hydraulic Hose Assembly No. 6



Thrust Frame Hydraulic Hose Assembly No. 6 (continued)

<i>Ref.</i>	<i>Part Number</i>	<i>Qty.</i>	<i>Description</i>	<i>Ref.</i>	<i>Part Number</i>	<i>Qty.</i>	<i>Description</i>
1	AU120742	2	Hose ASM-HYD	4	AU121780	3	Hose ASM-HYD
2	AU121098	1	Hose ASM-HYD	5	127-0861	1	Hose ASM-HYD
3	AU121777	1	Hose ASM-HYD				

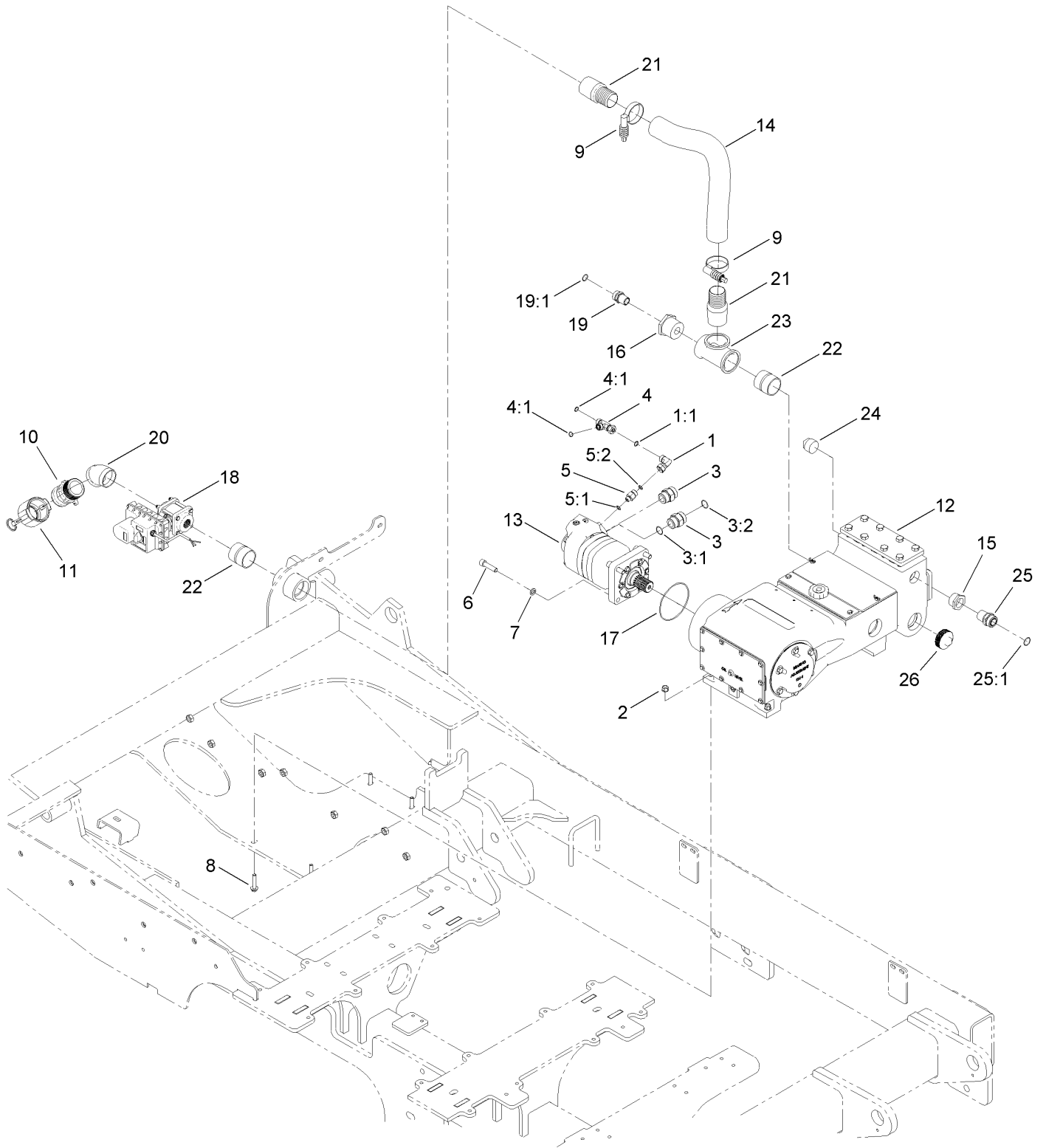
Thrust Frame Hydraulic Hose Assembly No. 7



Thrust Frame Hydraulic Hose Assembly No. 7 (continued)

<i>Ref.</i>	<i>Part Number</i>	<i>Qty.</i>	<i>Description</i>	<i>Ref.</i>	<i>Part Number</i>	<i>Qty.</i>	<i>Description</i>
1	AU120731	2	Hose ASM-HYD	6	127-0770	2	Hose ASM-HYD
2	AU121090	1	Hose ASM-HYD	7	AU120743	1	Hose ASM-HYD
3	AU121091	1	Hose ASM-HYD	8	AU120744	1	Hose ASM-HYD
4	AU119777	1	Hose ASM-HYD	9	AU126535	1	Hose ASM-HYD
5	AU119794	2	Hose ASM-HYD	10	AU121099	1	Hose ASM-HYD

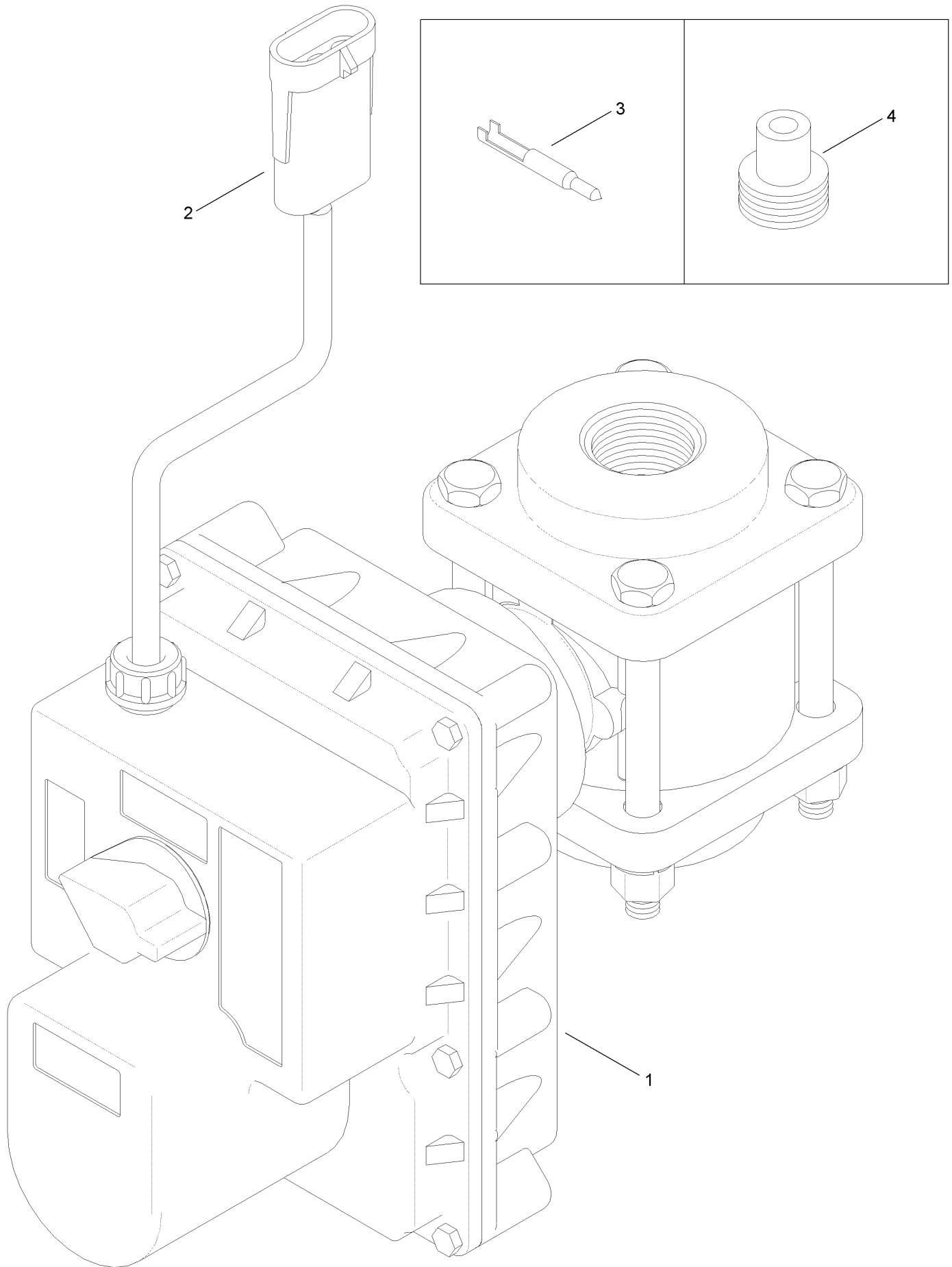
Mud Pump Assembly



Mud Pump Assembly (continued)

<i>Ref.</i>	<i>Part Number</i>	<i>Qty.</i>	<i>Description</i>	<i>Ref.</i>	<i>Part Number</i>	<i>Qty.</i>	<i>Description</i>
1	94-6031	1	Fitting-HYD	13	AU117459	1	HYD Motor ASM
1:1	237-30	1	O-Ring	14	AU119785	1	Hose-Suction
2	103-9511	4	Nut-Lock, NI	15	AU221-70	1	Fitting-Reducer
3	104-3797	2	Fitting-HYD, Straight	16	AU65-CI-1750	1	Fitting-Reducer
3:1	237-146	1	O-Ring	17	AU70-9004104-158	1	Seal-O Ring
3:2	340-65	1	O-Ring	18	AU6HV29033	1	2 Inch Ball Valve ASM (Electric)
4	340-104	1	Fitting-HYD, Tee	19	AU8OA11212	1	Fitting-Straight
4:1	237-30	2	O-Ring	19:1	237-58	1	O-Ring
5	340-5	1	Fitting-Straight	20	AU8PE15032	1	Elbow-Pipe, 45 DEG
5:1	237-42	1	O-Ring	21	AU8PN11332	2	Nipple-Combination
5:2	237-30	1	O-Ring	22	AU8PN23200	2	Nipple-Pipe
6	3274-5	4	Screw-HSH	23	AU8PT10032	1	Tee-Pipe
7	3253-7	4	Washer-Lock	24	127-0977	1	Plug-Square Head
8	33105-050	4	Screw-HHF	25	AU8OA11616	1	Fitting-Straight
9	AU110569	2	Clamp-Torque, Constant	25:1	340-65	1	O-Ring
10	AU110378	1	Adapter-Male	26	AU8PP10032	1	Plug-Pipe, Square Head
11	AU110379	1	Cap-Disconnect, Quick				
12	127-5292	1	Mud Pump ASM				

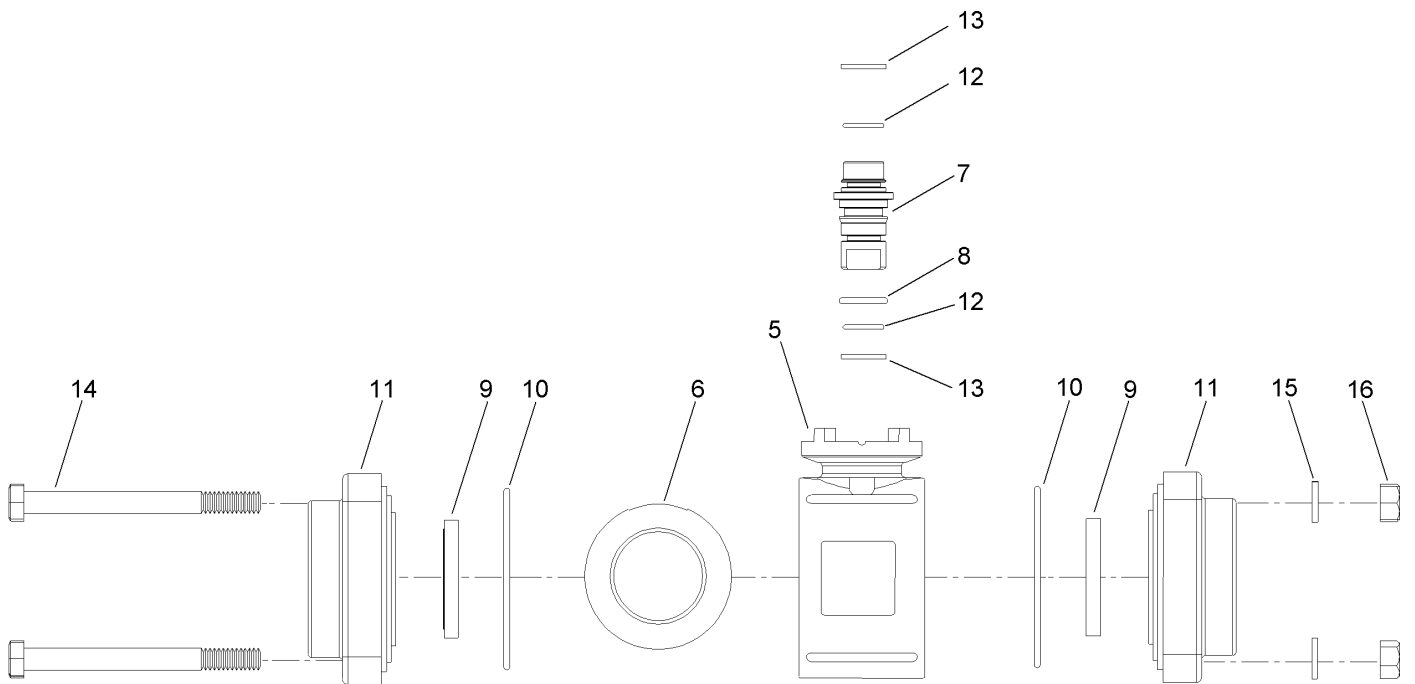
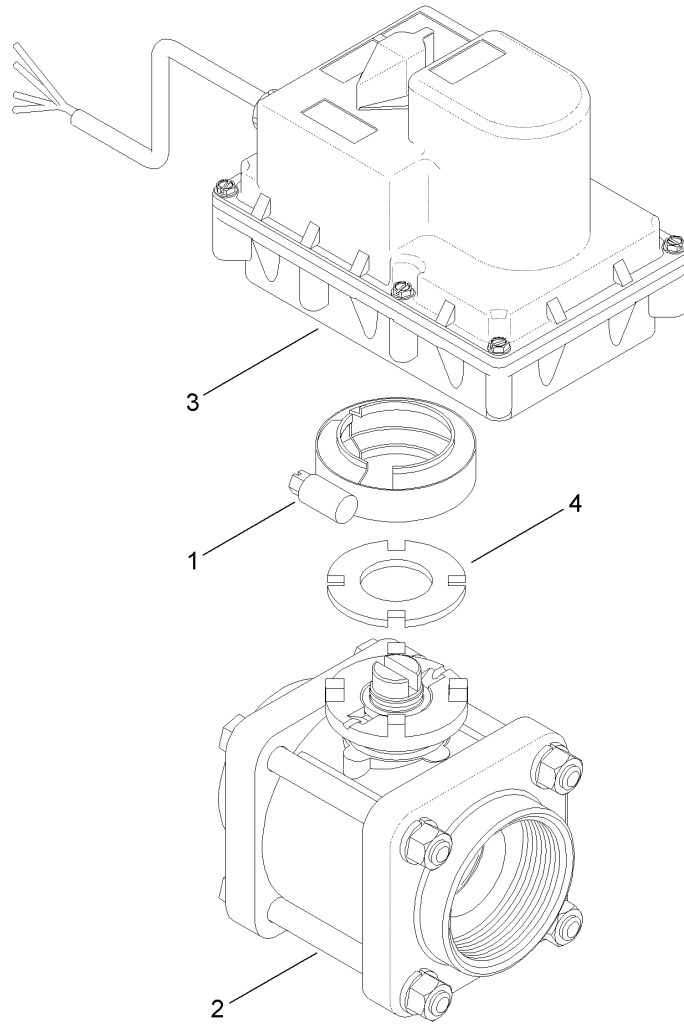
2 Inch Ball Valve Assembly No. AU6HV29033



2 Inch Ball Valve Assembly No. AU6HV29033 (continued)

<i>Ref.</i>	<i>Part Number</i>	<i>Qty.</i>	<i>Description</i>	<i>Ref.</i>	<i>Part Number</i>	<i>Qty.</i>	<i>Description</i>
1	AU8HV29033	1	Water Shutoff Valve ASM	3	AU8EC92302	3	Terminal-Male
2	AU8EC92203	1	Connector-Male, 3-Way (Body Only)	4	AU8EC92502	3	Seal

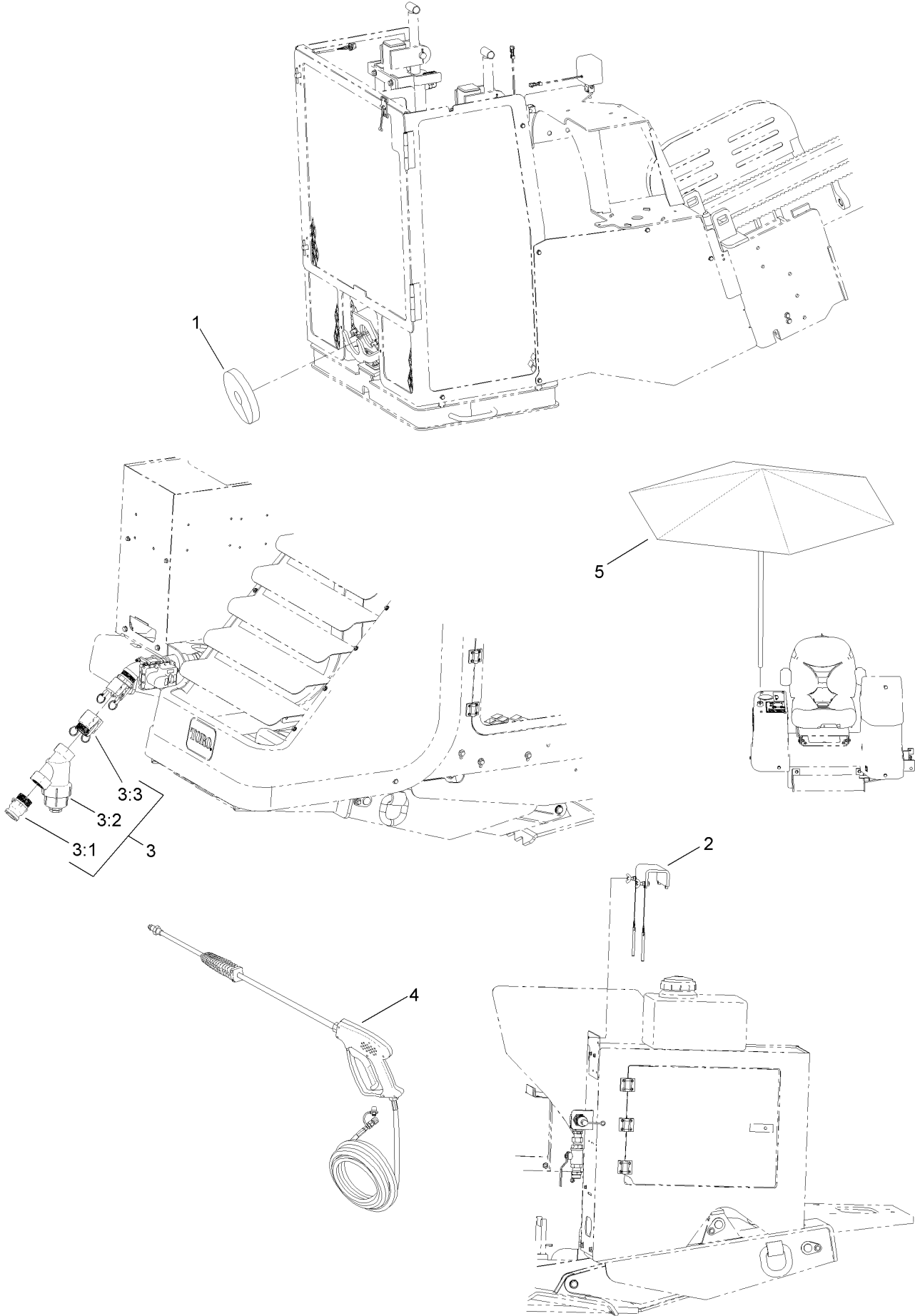
Water Shutoff Valve No. AU8HV29033



Water Shutoff Valve No. AU8HV29033 (continued)

<i>Ref.</i>	<i>Part Number</i>	<i>Qty.</i>	<i>Description</i>	<i>Ref.</i>	<i>Part Number</i>	<i>Qty.</i>	<i>Description</i>
1	AU114153	1	Clamp-Flange	9	AU114161	2	Seat-Valve
2	AU114154	1	Valve	10	AU114162	2	O-Ring
3	AU114155	1	Motor	11	AU114163	2	Plate-End
4	AU114156	1	Filter	12	AU114164	2	O-Ring
5	AU114157	1	Body-Valve	13	AU114165	2	Seal-Valve
6	AU114158	1	Ball-Hollow	14	98-5961	4	Screw-HH
7	AU114159	1	Stem-Valve	15	3253-21	4	Washer-Lock
8	AU114160	1	O-Ring	16	146211	4	Nut

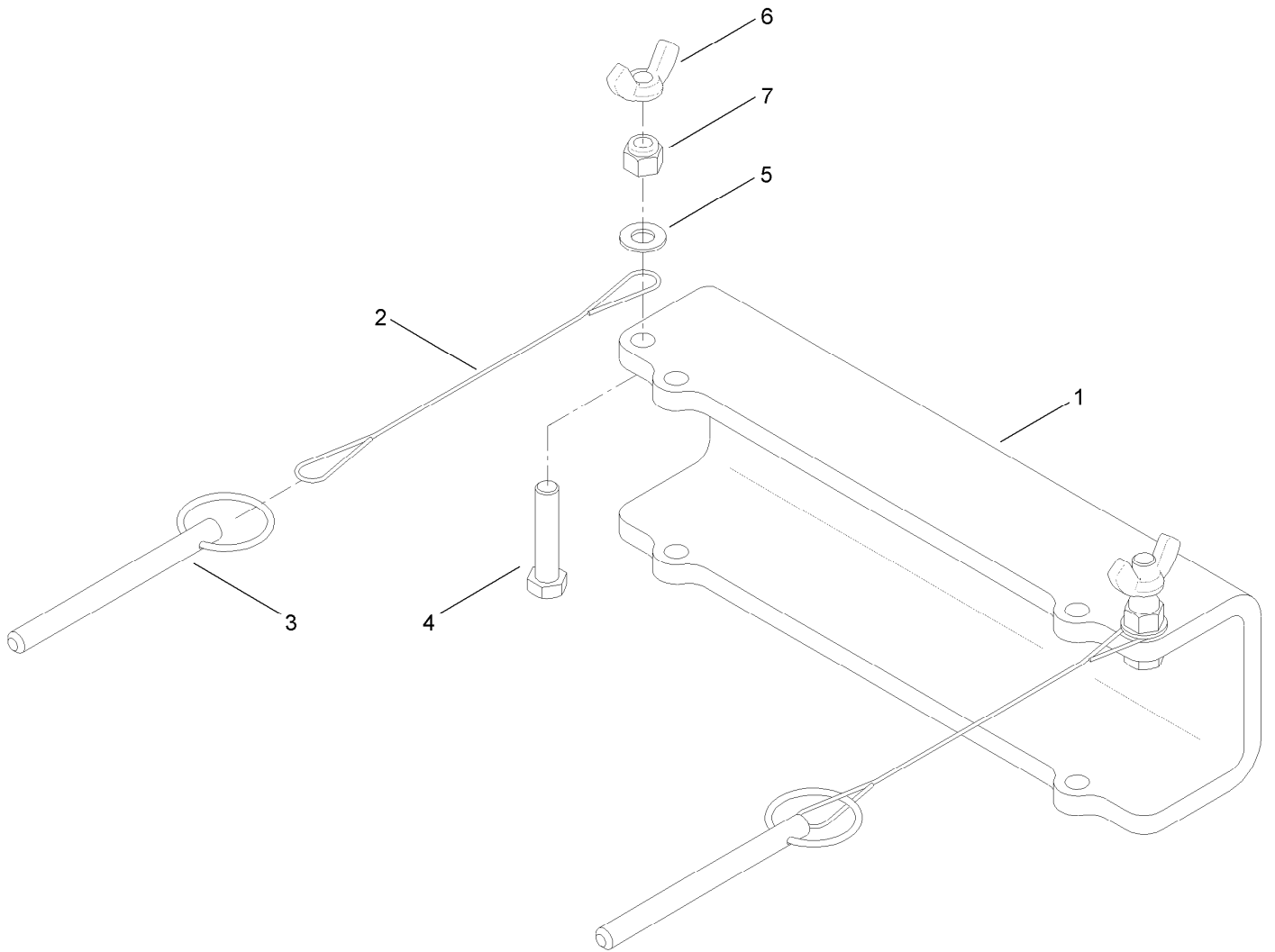
Umbrella, Wash Down Wand, Cylinder Lockout Y-strainer and Split Wiper Assembly



Umbrella, Wash Down Wand, Cylinder Lockout Y-strainer and Split Wiper Assembly (continued)

<i>Ref.</i>	<i>Part Number</i>	<i>Qty.</i>	<i>Description</i>	<i>Ref.</i>	<i>Part Number</i>	<i>Qty.</i>	<i>Description</i>
1	AU116192	1	Wiper-Split	3:3	AU8CH21332	1	Fitting-Camlok, 2 Inch (Female)
2	AU114336	1	Cylinder Lockout ASM	4	127-0991	1	Wash Down Wand ASM
3	AU32GB1215	1	2 Inch Strainer Kit	5	127-5273	1	Umbrella-Toro
3:1	AU110378	1	Adapter-Male				
3:2	AU8FL10017	1	Y-Strainer, 2 NPTF (6 Mesh Screen)				

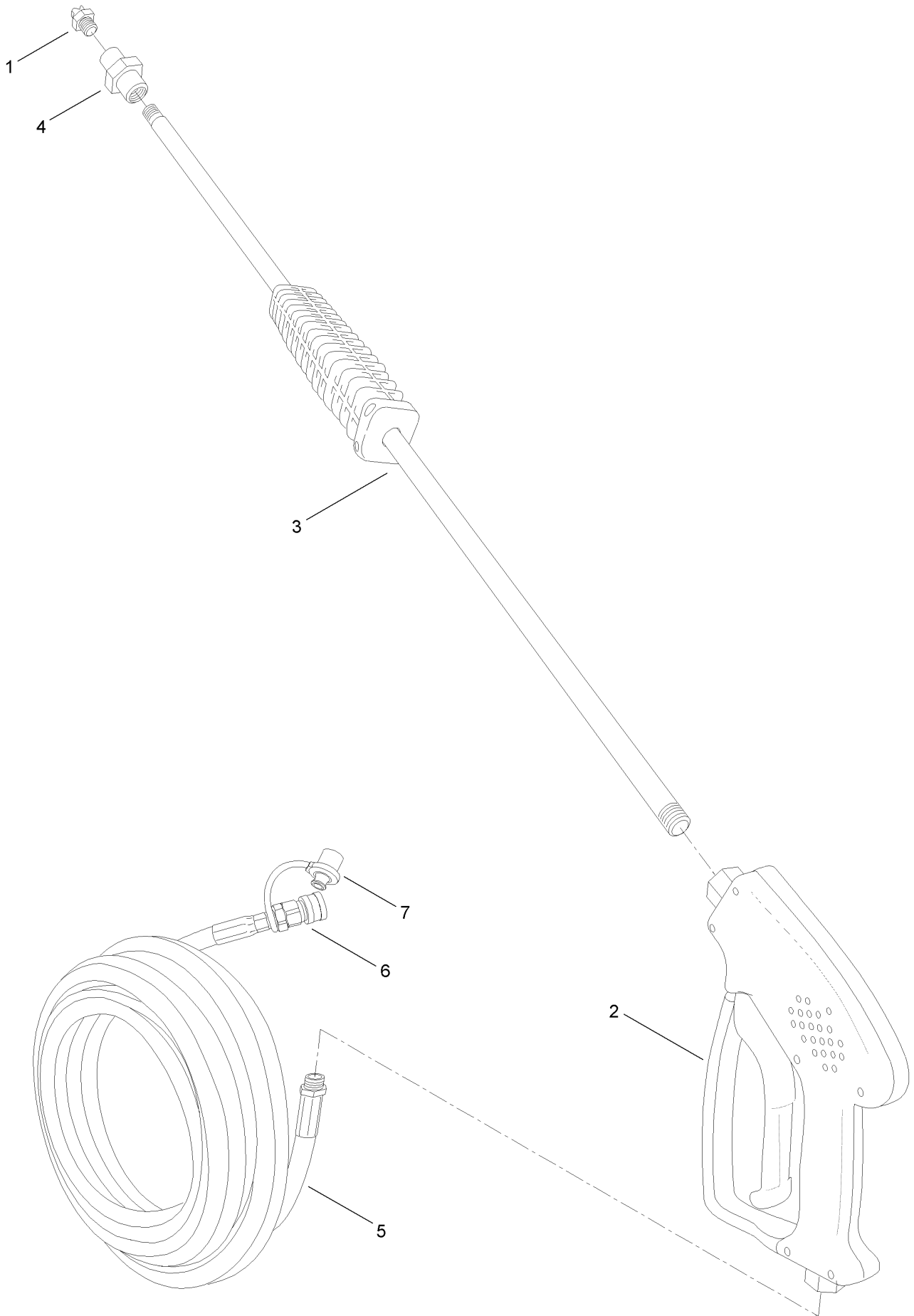
Cylinder Lockout Assembly No. AU114336



Cylinder Lockout Assembly No. AU114336 (continued)

<i>Ref.</i>	<i>Part Number</i>	<i>Qty.</i>	<i>Description</i>	<i>Ref.</i>	<i>Part Number</i>	<i>Qty.</i>	<i>Description</i>
1	AU114332-01	1	Plate-Tilt Cylinder Lockout	5	3256-45	2	Washer-Flat
2	AU114334	2	Lanyard-Pin Tether	6	1-543678	2	Wingnut
3	AU109760	2	Pin-Retaining	7	3296-39	2	Nut-Lock, NI
4	323-9	2	Screw-HH				

Wash Down Wand Assembly No. 127-0991



Wash Down Wand Assembly No. 127-0991 (continued)

<i>Ref.</i>	<i>Part Number</i>	<i>Qty.</i>	<i>Description</i>	<i>Ref.</i>	<i>Part Number</i>	<i>Qty.</i>	<i>Description</i>
1	AU20MC8512	1	Nozzle-Spray	5	AU126046	1	Hose-HYD
2	AU40MP8018	1	Gun-Spray	6	AU8QD52204	1	Coupler-Quick Disconnect
3	AU40MP8019	1	Lance	7	125-6145	1	Cap-Dust
4	AU8PC40004	1	Coupling-Pipe				

Attachments and Accessories

For 23825 4045 Directional Drill

Product Name	Model/Part
Oil-Bottle, 20 Oz.	105-8562
Premium All Season Hydraulic Fluid (5 Gallon Pail).....	108-1178
Premium All Purpose Grease (Tube)	108-1190
Premium Engine Oil SAE 30 (Drum)	108-1196
Premium Engine Oil SAE 30 (Pail).....	108-1197
Premium All Season Gear Lube (Quart)	108-1590
Premium Heavy Duty All Season Gear Lube (Quart)	108-1591
Premium Engine Oil 15w40 (5 Gallon Pail)	121-6395
Oil-15w40 (1 Quart)	127-3244
Rock Stakes	23827E
Dirt Stakes	23829E
Tall Pipe Box.....	23830E
52-count Drill Pipe	23831E
Air Hammer Adapter Kit.....	23832E
Summer Oil - Case of 24, 20-Ounce Bottles	38916

Notes:



Count on it.