



e-Cycler 20-inch Cordless Lawn Mower

Model No. 20360—Serial No. 315000001 and Up

Operator's Manual

IMPORTANT SAFETY INSTRUCTIONS

▲ WARNING

CALIFORNIA Proposition 65 Warning

This product contains a chemical or chemicals known to the State of California to cause cancer, birth defects, or reproductive harm.

When using an electrical appliance, basic precautions should always be followed, including the following:

WARNING

READ ALL INSTRUCTIONS BEFORE USING THIS APPLIANCE SAVE THESE INSTRUCTIONS

To reduce the risk of fire, electric shock, or injury, follow these safety instructions.

This machine meets or exceeds CPSC blade safety requirements for walk-behind rotary mowers and the B71.1 specifications of the American National Standards Institute, in effect at time of production. However, improper use or maintenance by the operator or owner can result in injury. To reduce the potential for injury, comply with these safety instructions and always pay attention to the safety alert ▲ symbol, which means CAUTION, WARNING or DANGER — “personal safety instruction.” Failure to comply with the instruction may result in personal injury. **WARNING:** To reduce the risk of fire, electric shock, and personal injury when using electric lawn mowers, always follow these basic safety precautions.

SAVE THESE INSTRUCTIONS

Safe Operating Practices

This machine is capable of amputating hands and feet and of throwing objects. Always follow all safety instructions to avoid serious injury or death.

This machine is designed for cutting and mulching grass or, when equipped with a grass bag, for catching cut grass. Any use for purposes other than these could prove dangerous to you or to bystanders.

General Operation

- Read this manual carefully before operating the machine. Become familiar with the controls and proper use of the machine. Never allow children under 16 years of age to operate the machine. Never allow adults to operate machine without proper instructions.
- The operator of the machine is responsible for keeping everyone, especially children and pets, away from area of operation. The operator is responsible for accidents or hazards occurring to other people or their property.
- Thoroughly inspect area where the machine will be used, and remove sticks, stones, wire, and debris that could be picked up and thrown by machine. Watch for foreign objects while mowing. Objects struck by the blade can cause severe injuries to people.
- Wear long pants and substantial shoes. Do not operate the machine while wearing open-toed shoes, jewelry, loose clothing or when barefoot. Use rubber gloves and footwear when working outdoors.
- Keep all guards, shields, safety devices, grass catcher or optional side discharge chute in place. Repair or replace damaged parts, including decals. Never tamper with safety devices. Check their proper operation regularly.
- The motor and blade are designed to stop within 3 seconds after releasing the control bail. Ensure that the control bail functions properly before each use of machine. If the blade does not stop within 3 seconds, or if there is a grinding or scraping metal-to-metal noise when you release the control bail, contact an Authorized Toro Service Dealer for proper On/Off and blade-brake adjustment or replacement.
- Before using, always visually inspect to see that the blades, blade fasteners, and cutter assembly are not worn or damaged. Replace worn or damaged blades and fasteners in sets to preserve balance.
- Use only those accessories and attachments designed for this machine. Using any accessory or attachment not designed for this product may increase the risk of injury. See the instructions for the proper operation and installation of accessories.

Safe Operating Practices

- Do not insert the key into the plug receptacle until you are ready to mow.
- Do not operate the machine in gaseous, explosive atmospheres. Normal sparking of the motor could ignite fumes.
- Start the motor carefully according to instructions, with feet well away from the blade.
- Use the right appliance—Do not use the machine for any job except that for which it is intended.
- Stay alert— Watch what you are doing. Do not operate the machine when you are tired or under the influence of drugs, alcohol, or medication.
- Be alert and turn the machine off if children enter the area.



- Use extra care when approaching blind corners, shrubs, trees, or other objects that may obscure vision.
- Do not mow near drop-offs, ditches, or embankments. You could lose your footing or balance.
- Avoid dangerous environments. Never operate the machine in wet grass or damp locations. Do not use the machine in the rain.
- Always maintain secure footing. Keep a firm grip on the handle and walk; never run. Mow only in daylight or in good artificial light.
- Mow across the face of slopes; never up and down. Use extreme caution when changing direction on slopes. Do not mow excessively steep slopes. Wear skid-resistant shoes on slopes.
- Don't overreach – Keep proper footing and balance at all times.
- Do not force the machine. It operates best and safest at the rate for which it was designed.
- Always wear safety glasses or eye shields during operation to protect eyes from foreign objects that may be thrown from the machine. Regular eyeglasses are not safety glasses.
- Always wear an approved dust mask when using the machine in dusty conditions.
- Keep your face, hands, and feet away from the machine housing and the blade while the motor is running. The blade can injure hands and feet. Stay behind the handle until the motor stops.
- Never direct discharged material toward anyone. Avoid discharging material against a wall or obstruction. Material may ricochet back toward you. Stop the blade when crossing gravel surfaces.
- Use extreme caution when reversing or pulling the machine toward you. Before and while moving backward, look behind and down.
- Since the blade rotates for a few seconds after you release the control bar, stay behind the handle until all moving parts stop.
- After striking a foreign object or if the machine vibrates abnormally, stop the motor and remove the key from the plug receptacle. Check the machine for damage and make all repairs before using the machine again. If major repairs are ever needed or if assistance is desired, contact an Authorized Toro Service Dealer.
- Do not operate the machine if it has been dropped or damaged in any way. Repair any damage before operating the machine.
- Stop the motor, wait for all moving parts to stop, and remove the key from the plug receptacle before adjusting the height-of-cut.
- Stop the motor when pushing the machine outside the lawn area.
- Stop the motor and remove the key from the plug receptacle before removing the grass catcher.
- Stop motor before leaving the operator's position—behind the handle. Remove the key from the plug receptacle if the machine will be unattended.
- If you must lift or transport the machine, stop the motor, stay behind the handle until all moving parts stop and remove the key from the plug receptacle.

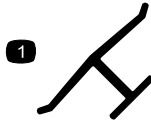
Maintenance and Storage

- Perform only those maintenance instructions described in this manual. If major repairs are ever needed or if assistance is desired, contact an Authorized Toro Service Dealer.
- Before you clean, inspect, service, or adjust the machine, stop the motor and wait for all moving parts to stop. Remove the key from the plug receptacle.
- Do not charge the machine in rain or in wet locations.
- To prevent electric shock while charging, repair or replace any damaged electrical cords immediately.
Note: The battery charger is needed only to recharge the battery. It is not used for mowing with the machine.
- Don't abuse the cord while charging. Do not yank the cord to remove it from plug receptacle. Keep the cord away from heat, oil and sharp edges.
- Remove key before servicing, cleaning, or removing material from the machine.
- Do not dispose of the battery in a fire; the cell may explode. Check with local codes for special disposal instructions.
- Do not open or mutilate the battery. Released electrolyte is corrosive and may cause damage to the eyes or skin. It may be toxic if swallowed.
- Exercise care in handling batteries in order not to short the battery (contact both positive and negative battery posts) with conducting materials such as rings, bracelets, and keys. The battery or conductor may overheat and cause burns.
- To ensure that the machine is in safe operating condition, frequently check and keep all nuts, bolts, and screws tight. Ensure that the blade bolt is tightened to 40 to 50 ft-lb (54 to 68 N-m).
- Always keep a sharp blade on your machine. When servicing the blade, refer to the blade maintenance section for correct installation and servicing procedures. Use identical replacement blades only.
- To reduce fire hazard, keep the motor free of excessive grass, leaves, and accumulations of dirt.
- Check the grass catcher bag frequently for wear or deterioration. Replace a worn or damaged bag with an identical Toro replacement bag only for your protection.
- When you are not using the machine, remove the key and store the machine indoors in a dry, locked-up place out of the reach of children. Allow the motor to cool before storing the machine in an enclosure.
- At the time of manufacture, this machine conformed to the safety standards in effect for rotary mowers. To assure best performance and continued safety certification of the machine, use genuine Toro replacement parts and accessories. Replacement parts and accessories made by other manufacturers may result in non-conformance with the safety standards, and that could be dangerous.

SAVE THESE INSTRUCTIONS

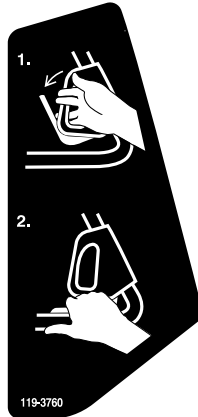
Safety and Instructional Decals

Important: Safety and instruction decals are located near areas of potential danger. Replace damaged or lost decals.



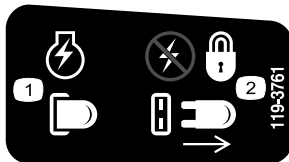
Manufacturer's Mark

1. Indicates the blade is identified as a part from the original machine manufacturer.



119-3760

1. Move the control lever away from the starter.
2. Hold the control lever to the handle to engage the blades.



119-3761

1. Key in—engine energized
2. Key out—no power, locked

⚠ WARNING

TO REDUCE THE RISK OF INJURY, INSPECT CATCHER ASSEMBLY FREQUENTLY AND REPLACE WITH RECOMMENDED REPLACEMENT IF THERE ARE SIGNS OF WEAR OR DETERIORATION.

⚠ ADVERTENCIA


PARA REDUCIR EL RIESGO DE LESIONES, INSPECCIONE FRECUENTEMENTE EL ENSAMBLAJE DEL RECEPTOR Y CAMBIELO POR LA PIEZA DE REPUESTO RECOMENDADA SI HAY SEÑALES DE DESGASTE O DETERIORO.

⚠ AVERTISSEMENT

POUR RÉDUIRE LES RISQUES DE BLESSURE, INSPECTER SOUVENT L'ENSEMBLE SAC COLLECTEUR D'HERBE ET REMPLACER AVEC DES PIÈCES RECOMMANDÉES CELLES QUI SEMBLANT USÉES OU DÉTÉRIORÉES.

119-3812

119-3812



⚠ WARNING AVOID SERIOUS INJURY or DEATH: • Go across slopes, not up & down. • Do not mow when children or others are present. • Look down and behind before & while moving backwards. • Keep safety devices (guards, shields, etc.) in place & working. • Remove objects that could be thrown by the blade. • To reduce risk of electric shock, do not expose unit to water or operate on wet ground. • Turn off mower and remove key before service or inspection. • When servicing use only identical replacement parts. • Read the operator's manual.


⚠ ADVERTENCIA EVITE LESIONES GRAVES o LA MUERTE: • En pendientes, siegue de través, no hacia arriba o hacia abajo. • No siegue en presencia de niños u otras personas. • Al segar hacia atrás, mire siempre hacia atrás y hacia abajo. • Mantenga colocados y en funcionamiento los dispositivos de seguridad (protectores, deflectores, etc.). • Retire cualquier objeto que pudiera ser arrojado por la cuchilla. • Para reducir el riesgo de descarga eléctrica, no exponga la unidad al agua y no la utilice en suelo mojado. • Apague el cortacésped y retire la llave antes de cualquier mantenimiento o inspección. • Utilice únicamente piezas de repuesto idénticas durante el mantenimiento. • Lea el manual del operador.

⚠ AVERTISSEMENT ÉVITEZ LES BLESSURES GRAVES VOIRE MORTELLES : • Tondez en travers des pentes plutôt que de haut en bas. • Ne tondez pas lorsque des enfants ou autres personnes sont à proximité. • Regardez par terre et derrière vous lorsque vous tondez en reculant. • Maintenez les dispositifs de sécurité (protections, déflecteurs, etc.) en place et en bon état de fonctionnement. • Enlevez les objets susceptibles d'être projetés par la lame. • Afin de réduire le risque de choc électrique, n'exposez pas cette machine à l'eau et ne l'utilisez pas sur sol mouillé. • Coupez le moteur et retirez la clé avant d'effectuer toute opération d'entretien ou d'inspection. • Lors des entretiens et réparations, utilisez uniquement des pièces de rechange identiques. • Consultez le manuel de l'utilisateur.

Use only accessories approved by Toro. Charge only with Toro 36V charger 119-0269 or 120-1909. Contains sealed lead battery. Please recycle.

Utilice únicamente accesorios homologados por Toro. Utilice únicamente el cargador Toro 119-0269 o 120-1909 de 36 V. Contiene una batería de plomo sellada. Por favor, reciclela.

Utilisez uniquement des accessoires approuvés par Toro. Chargez la tondeuse uniquement avec le chargeur Toro de 36 V réf. 119-0269 ou 120-1909. Contient une batterie au plomb étanche. Veuillez recycler la batterie.

36V D.C.  LISTED 957U GARDENING APPLIANCE  Pb Pb 119-3818

119-3818



119-7023

Setup

1

Unfolding the Handle

No Parts Required

Procedure

⚠ CAUTION

Folding or unfolding the handle improperly can damage the cables, causing an unsafe operating condition.

- Do not damage the cables when folding or unfolding the handle.
- If a cable is damaged, contact an Authorized Service Dealer.

1. Loosen the handle knobs ([Figure 1](#)).

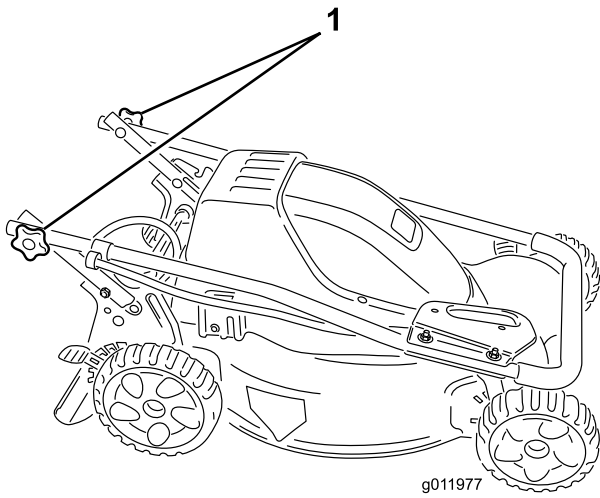


Figure 1

1. Handle knob (2)
-
2. Move the handle to the operating position (Figure 2).

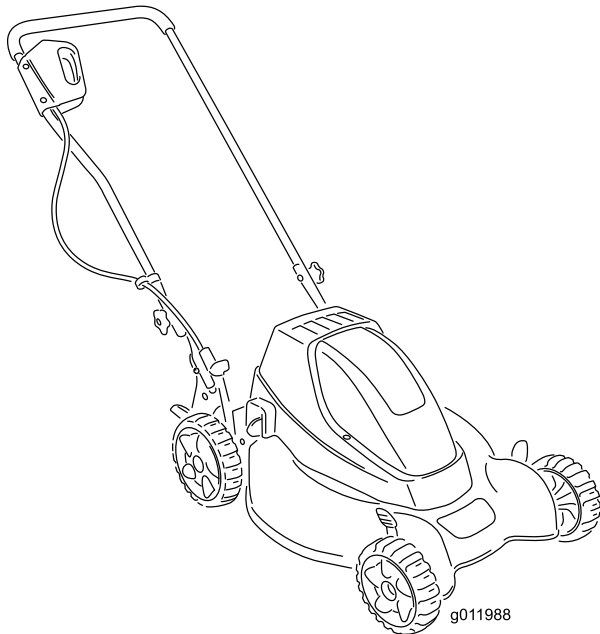


Figure 2

3. Tighten the handle knobs firmly by hand.

2

Charging the Battery

No Parts Required

Procedure

⚠ WARNING

Contact with water while charging the battery or operating the machine can cause an electric shock, leading to personal injury or death.

Do not handle the charger plug or the machine with wet hands or while standing in water.

Important: For best performance, use only a Toro 36-volt charger (Part No. 119-0269 or 120-1909).

It takes approximately 12 to 16 hours to charge a fully discharged battery. Fully charge the battery before the first mowing of the season, after every use, and before off-season storage. Failing to charge the battery after every use shortens the battery life. Charge the battery even if you run the machine for only a few minutes.

Note: The battery is charged at the factory. However, before using the machine for the first time, charge the battery and ensure that it has a full charge before operating.

To charge the battery, do the following:

Important: Always charge the battery in a dry area protected from the weather. Also, keep the machine away from water and flammable substances.

1. If the key is in the plug receptacle, remove it (Figure 3).

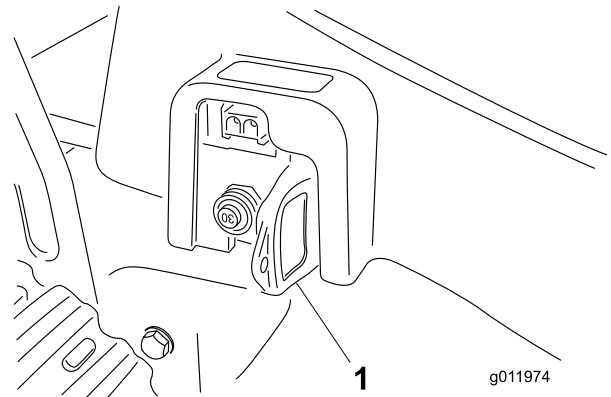


Figure 3

1. Key (remove it before charging the battery)

⚠ WARNING

The battery charger cord can be damaged and could cause a shock or fire.

Thoroughly inspect the battery charger cord before charging the unit. If the cord is damaged, do not charge the battery. Replace or repair a damaged cord immediately. Contact an Authorized Service Dealer for assistance.

2. Insert the charger cord into the charging plug receptacle (Figure 4), and connect the other end to a standard 120-volt household outlet.

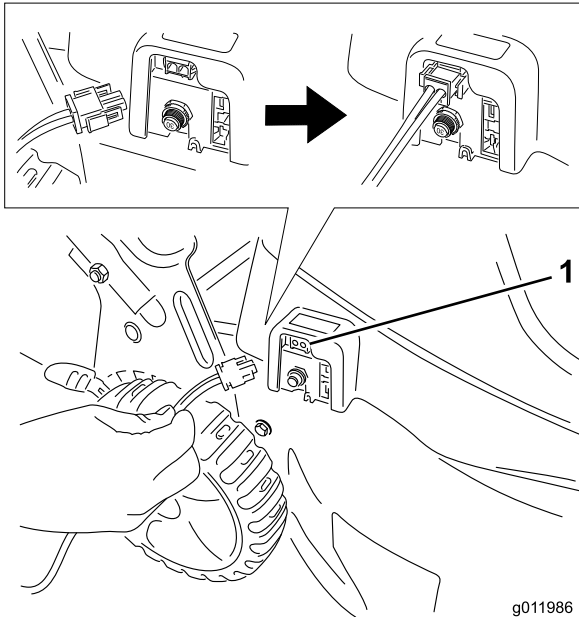


Figure 4

1. Charging plug receptacle

Note: Your battery charger has a 2-color LED display that indicates the following states of charging:

- A red light indicates that the charger is charging the battery.
- A green light indicates that the battery is fully charged; the charger is trickle-charging the battery to maintain the battery charge.

3. Charge the battery for at least 16 hours.
4. Unplug the charger cord from the standard outlet and the charging plug receptacle on the machine.

Note: Do not unplug the charger cord by pulling on it. To unplug the cord, grasp the plug, not the cord.

Important: This machine has a battery charger that checks the charge state of the battery and charges the battery only when necessary. Unplug the charger after 24 hours of charging, though you may leave the charger plugged into the machine longer without harming the system. During the non-mowing season, you can unplug and store the machine for up to 3 months if the battery is fully charged and the machine is stored in a cool, dry place.

3

Assembling the Grass Bag

No Parts Required

Procedure

1. Slip the grass bag over the frame as shown in Figure 5.

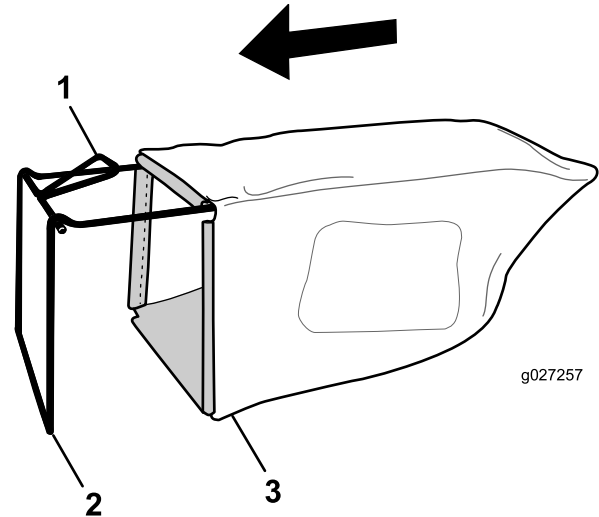
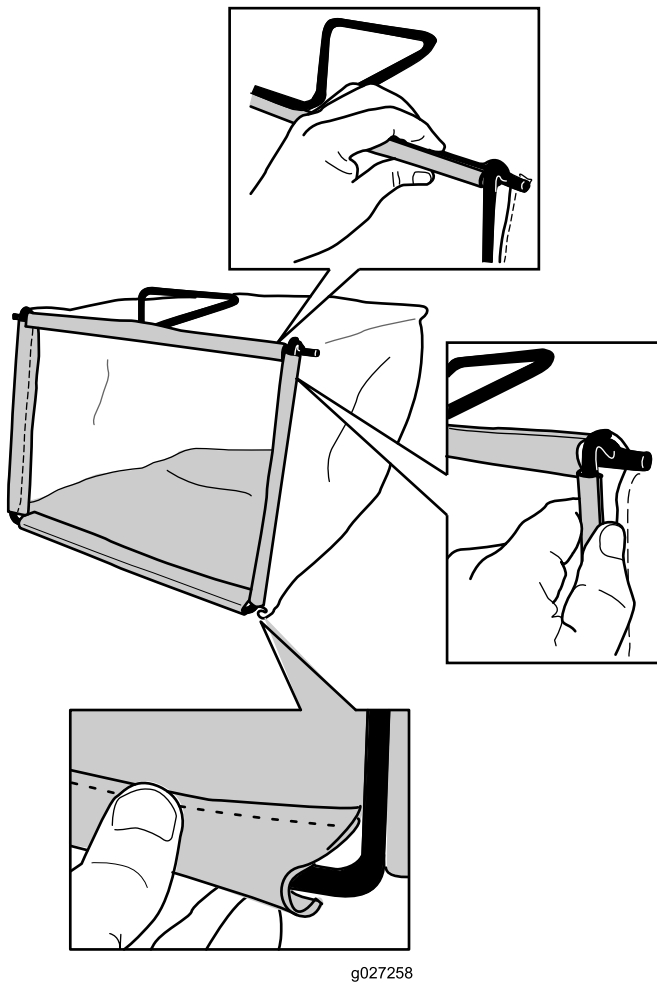


Figure 5

1. Handle
2. Frame
3. Grass bag

Note: Do not slip the bag over the handle (Figure 5).

2. Hook the bottom channel of the bag onto the bottom of the frame (Figure 6).



g027258
Figure 6

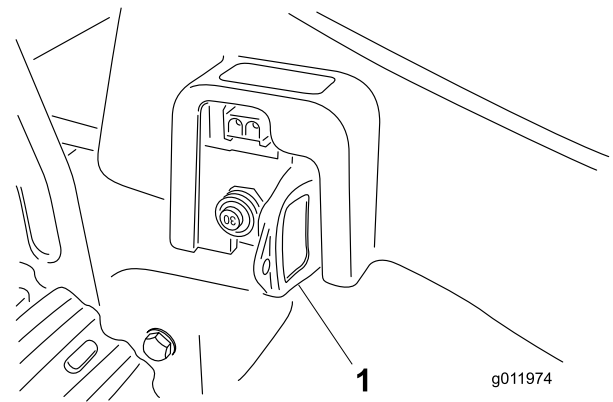
- Hook the top and side channels of the bag onto the top and sides of the frame, respectively (Figure 6).

Operation

Each time before you use the machine, ensure that the control bar operates properly. When you release the control bar, the motor and the blade should stop. If they do not, contact an Authorized Service Dealer.

Using the Key

This machine operates only when the key is fully seated in the plug receptacle (Figure 5). To prevent accidental starting or unauthorized use of the machine, always remove the key from the plug receptacle whenever you leave the machine unattended. Store the key out of the reach of children.



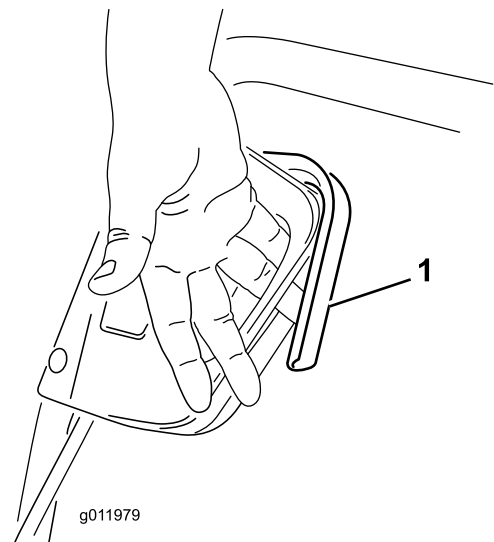
g011974
Figure 7

- Key

Starting the Machine

- Push the machine onto a flat concrete or asphalt surface.

Note: Starting the machine in thick grass could cause the machine to clog.
- Insert the key fully into the plug receptacle (Figure 7).
- Insert a couple of fingers into the opening of the starter and push the control lever toward the handle (Figure 6).



g011979
Figure 8

- Control lever
- Squeeze the control lever to the handle (Figure 9).

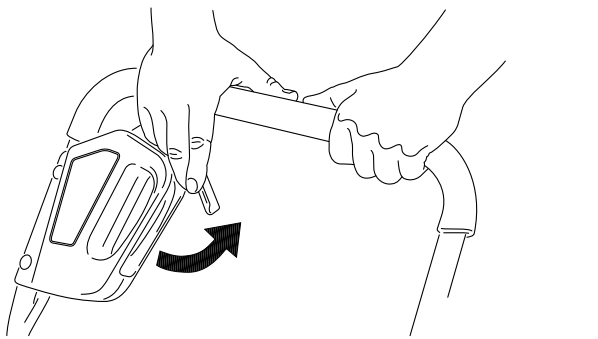


Figure 9

g011980

Note: Keep the machine running when turning the machine. Turning the machine off when making a turn does not save battery energy.

Stopping the Machine

1. Release the control lever.

⚠ WARNING

When the key is in the plug receptacle, the machine is operational. Someone could accidentally start the machine and seriously injure you or other bystanders.

Always remove the key from the plug receptacle when leaving the machine unattended, even for a short period of time.

2. Remove the key from the plug receptacle if the machine will be unattended for any period of time.

Note: Store the key in a place out of the reach of children.

3. Charge the battery.

Important: Always charge the battery immediately after using the machine. If you do not charge the battery after each use, you will shorten the battery life. See [2 Charging the Battery \(page 5\)](#).

Adjusting the Cutting Height

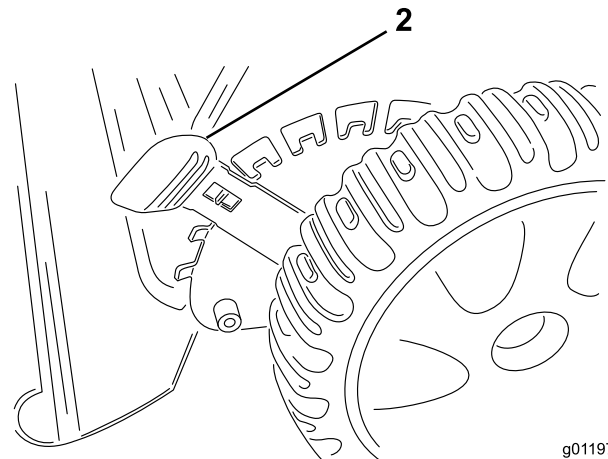
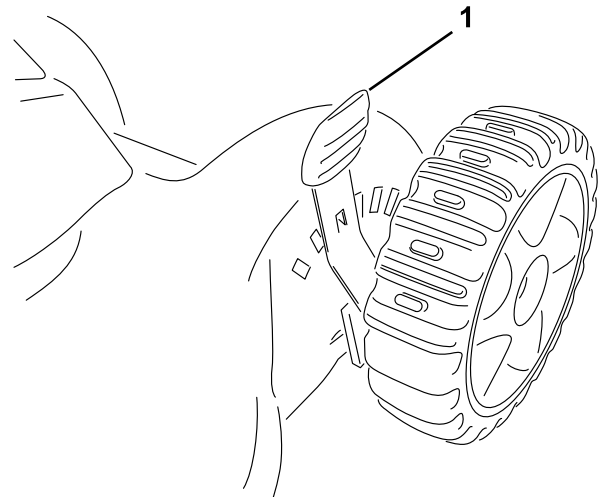
⚠ WARNING

Adjusting the cutting height may bring you into contact with the moving blade, causing serious injury.

- Stop the engine and wait for all moving parts to stop.
- Do not put your fingers under the housing when adjusting the cutting height.

Adjust the cutting height as desired. Set all 4 wheels to the same height ([Figure 10](#)).

Note: Move the cutting-height levers forward to raise the machine; move the cutting-height levers rearward to lower the machine.



g011972

Figure 10

1. Front cutting-height lever (2)
2. Rear cutting-height lever (2)

Note: The cutting-height settings are 25 mm (1 inch); 38 mm (1-1/2 inches); 51 mm (2 inches); 64 mm (2-1/2 inches); 76 mm (3 inches); 89 mm (3-1/2 inches); and 102 mm (4 inches).

Bagging the Clippings

Use the grass bag when you want to collect grass and leaf clippings from the lawn.

⚠ WARNING

A worn grass bag could allow small stones and other similar debris to be thrown toward you or bystanders, resulting in serious personal injury or death.

Check the grass bag frequently. If it is damaged, install a new Toro replacement bag.

Installing the Grass Bag

1. Lift up the rear deflector (Figure 11).

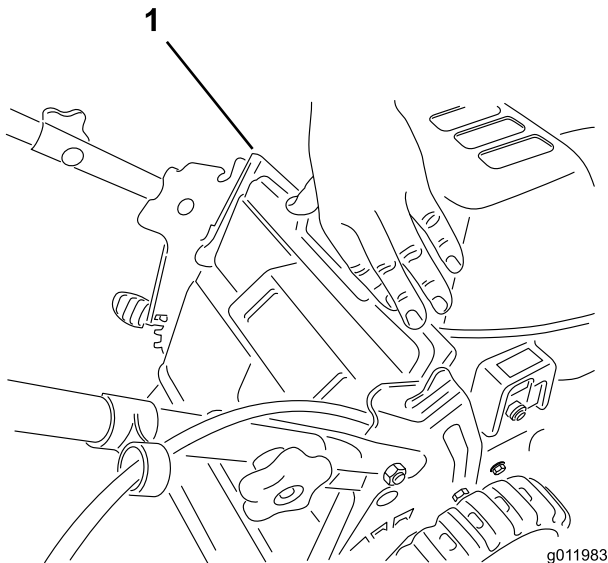


Figure 11

1. Rear deflector

2. Inset the grass bag handle onto the notches on the handle brackets (Figure 12).

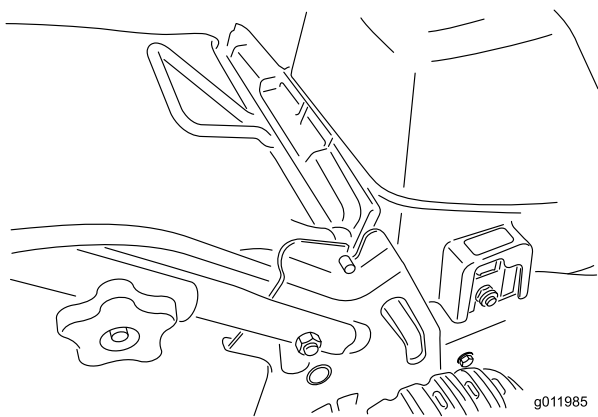


Figure 12

Removing the Grass Bag

1. Lift up the rear deflector.
2. Lift the grass bag handle out from the notches on the handle brackets and remove the bag from the machine.

3. Close the rear deflector.

Resetting the Circuit Breaker

If the machine is run under too much load, the circuit breaker will trip. Follow these instructions to reset the circuit breaker.

Important: Never reset the circuit breaker when the key is in the receptacle and the control lever is squeezed to the handle.

1. Remove the key from the plug receptacle (Figure 3).
2. Wait 30 seconds, then push in the circuit breaker button (Figure 11).

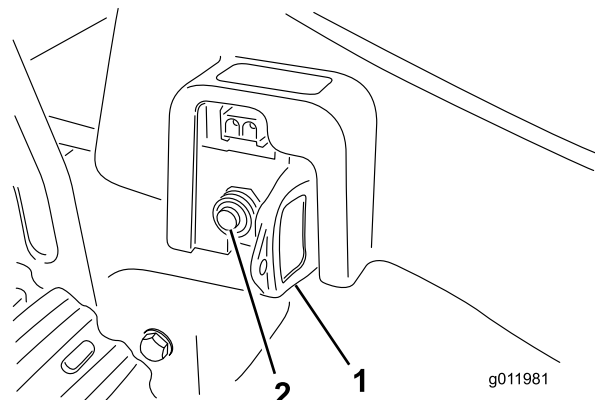


Figure 13

1. Key (remove before resetting the circuit breaker)
2. Circuit breaker

3. Install the key in the plug receptacle.
4. Resume cutting under a lighter load.

Note: If the circuit breaker repeatedly trips, raise the cutting height or use the grass bag or optional side-discharge chute.

Operating Tips

Battery Run Time

With a battery-powered mower, the condition of the grass and the way that you mow will affect how long the battery will run on a single charge at each mowing.

The following are some things that will affect battery run time:

- Moisture content of the grass—The more moisture there is in the grass, the faster the battery will run down.
- Walking/mowing speed—The faster you walk, the faster the battery will run down.
- Mode of operation—Mulching the grass requires the most battery energy. Bagging requires the second highest amount of battery energy, and side discharging uses the least.
- Cutting height—If the battery is running down too fast, raise the cutting height a notch.

General Mulching Tips

Toro designed your machine to mulch grass when the mulch door is completely closed. For the best cutting results and lawn

appearance, follow these instructions whether cutting grass or leaves:

- Maintain a sharp blade throughout the cutting season. Periodically file down any nicks on the blade.
- Only mow dry grass or leaves. Wet grass and leaves tend to clump on the yard and may cause the machine to plug up or the motor to stall.

⚠ WARNING

Wet grass or leaves can cause you to slip and contract the blade, causing a serious personal injury.

Mow only in dry conditions.

- Remove the key from the receptacle and clean the clippings or leaves from the underside of the machine after each mowing. Use a wooden tool, not a metal one.
- Grass grows at different rates at different times of the year. In the heat of summer, it is generally best to cut grass at the 64 mm (2-1/2 inch), 76 mm (3-inch), or 89 mm (3-1/2 inch) cutting-height settings. Cut only about a third of the grass blade. Do not cut below the 64 mm (2-1/2 inch) setting unless the grass is sparse, or it is late fall when grass growth begins to slow down.
- When changing the cutting height from an established setting to a higher cutting height, the grass may appear ragged or uneven until the grass adjusts to the new established cutting height and regains its normal appearance.
- When cutting grass over 15 cm (6 inches) tall, you may want to first mow using the grass bag or the optional side discharge chute, or try the highest cutting-height setting and a slower walking speed; then mow again at a lower setting for the best lawn appearance. If the grass is too long, leaving clumps on top of the lawn, the machine may plug and cause the motor to stall.
- Alternate the mowing direction. This helps to disperse the clippings over the lawn for even fertilization.

If the finished cut lawn appearance is unsatisfactory, try 1 or more of the following:

- Sharpen the blade.
- Walk at a slower pace while mowing.
- Raise the cutting height on your machine.
- Cut the grass more frequently.
- Overlap cutting swaths instead of cutting a full swath with each pass.
- Set the cutting height on the front wheels a notch lower than that of the rear wheels. For example, set the front wheels at the 76 mm (2-1/2 inch) setting and the rear wheels at the 64 mm (3-inch) setting.

Cutting Leaves

- When cutting is complete, always be sure that half of the lawn shows through the cut leaf cover. This may require more than a single pass over the leaves.
- For light leaf coverage, position all the wheels at the same cutting-height setting.
- Walk at a slower mowing speed if the leaves are not cut up finely enough to be hidden down in the grass.

Maintenance

⚠ WARNING

When the key is in the plug receptacle, the machine is operational. Someone could accidentally start the machine, causing serious injury to you or to bystanders.

Remove the key from the plug receptacle when you leave the machine unattended, even for a short period of time.

Cleaning the Machine

Before cleaning the machine, stop the motor, wait for all moving parts to stop, and remove the key from the plug receptacle.

Important: Do not spray or pour water on the machine when cleaning. Moisture can get trapped in the machine and cause corrosion of internal parts.

Cleaning the Machine after Each Use

- Clean under the machine. Be particularly careful to keep the front cavity clear of all grass clippings and debris. Remove dirt and grass clippings with a hardwood scraper. Avoid burrs and sharp edges.
- Brush all grass clippings and debris off the top of the machine housing after every use.

Cleaning the Machine after Each Season

- Remove the top shroud and clean out any grass clippings and debris from underneath it and around the battery with compressed air, a vacuum cleaner, or a brush.

Important: Do not use metal objects to clean around the battery. If metal objects contact the positive and negative posts at the same time, this may short out the battery. The battery or the conductor may overheat and cause burns.

- Check for any discolored or charred wires and battery and switch contacts. If any are damaged, contact an Authorized Service Dealer for repair.

Maintaining the Blade

Always mow with a sharp blade. A sharp blade cuts cleanly and without tearing or shredding the grass blades like a dull blade does.

⚠ WARNING

If the key is plugged into the plug receptacle, someone could accidentally start the machine, causing serious personal injury.

Do not attempt to inspect, remove, or replace the blade without first removing the key from the plug receptacle.

▲ WARNING

The blade is sharp; contacting the blade can cause serious personal injury.

Always wear gloves or wrap the sharp edges of the blade with a rag.

1. Stop the motor and wait for all moving parts to stop.
2. Remove the key from the plug receptacle.
3. Tip the machine onto its side.
4. Remove the blade by turning the blade bolt counterclockwise (Figure 14).

Note: Grasp the end of the blade using a rag or a thickly padded glove.

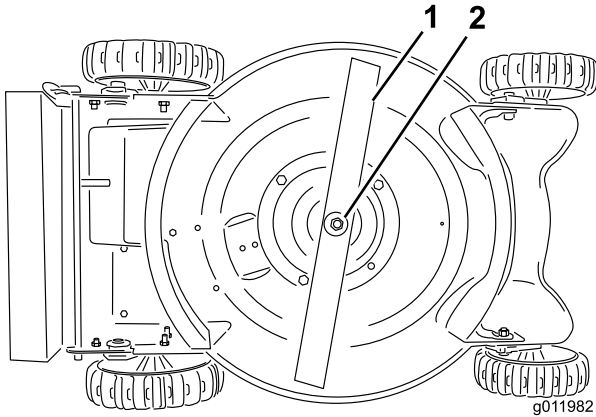


Figure 14

1. Blade
2. Blade bolt and washer

5. Remove the blade bolt, the washer, and the blade.
6. Install a sharp, balanced blade, with the washer and the blade bolt that you previously removed.
7. Tighten the blade bolt to 40 to 50 ft-lb (54 to 68 N-m).
8. Return the machine to the operating position.

Replacing the Battery Pack

To replace the battery pack, contact an Authorized Toro Service Center.

Disposing of the Old Battery Pack

Important: Do not place used batteries in your household trash!

Important: This sealed lead (acid) battery must be collected, recycled, or disposed of in an environmentally sound manner.

Incinerating, landfilling, or mixing sealed lead (acid) batteries with the municipal solid waste stream is prohibited by law in some states.

Return this battery to an approved sealed lead (acid) battery recycler. This may be where you purchased the machine.

Contact your local waste management officials for other information regarding the environmentally sound collection, recycling, and disposal of this battery.

Service

Toro has designed this product to give you years of trouble-free use. Should it need service, bring the product to an Authorized Toro Service Dealer who is specially trained to repair Toro products and will ensure that your Toro stays all Toro.

Product Information

A model and serial number decal is located under the rear door of the machine. Always refer to specific numbers on the decal in correspondence or when you need replacement parts.

Storage

Store the machine in a cool, clean, and dry place such as an unheated garage. Do not store a battery-powered mower in a warm basement. Cover the machine to keep it clean and protected.

1. Clean the machine housing. Refer to [Cleaning the Machine \(page 10\)](#).
2. Remove grass clippings, dirt, and grime from external parts of the shrouding and the top of the machine housing.
3. Check the condition of the blade. Refer to [Maintaining the Blade \(page 10\)](#).
4. Tighten all loose nuts, bolts, and screws.

Important: This machine has a battery charger that checks the charge state of the battery and charges the battery only when necessary. Unplug the charger after 24 hours of charging, though you may leave the charger plugged into the machine longer without harming the system. During the non-mowing season, you can unplug and store the machine for up to 3 months if the battery is fully charged and the machine is stored in a cool, dry place.



The Toro Total Coverage Guarantee
A 2-Year Full Warranty (Not Applicable for Commercial Use)

20 in Cordless
Mowers

Conditions and Products Covered

The Toro Company and its affiliate, Toro Warranty Company, pursuant to an agreement between them, jointly promise to repair the Toro Products listed below if used for residential purposes* if it is defective in materials or workmanship or if it stops functioning due to the failure of a component.

This warranty covers the cost of parts and labor, but you must pay transportation costs.

The following time periods apply from the date of purchase:

Products	Warranty Period
20 in Cordless Mowers	2 - year full warranty
Battery	2 - year full warranty

Instructions for Obtaining Warranty Service

If you think that your Toro Product contains a defect in materials or workmanship, follow this procedure:

1. Contact any Authorized Toro Service Dealer to arrange service at their dealership. To locate a dealer convenient to you, refer to the *Yellow Pages* of your telephone directory (look under "Lawn Mowers") or access our web site at www.Toro.com. You may also call the numbers listed in item #3 to use the 24-hour Toro Dealer locator system.
2. Bring the product and your proof of purchase (sales receipt) to the Service Dealer. The dealer will diagnose the problem and determine if it is covered under warranty.
3. If for any reason you are dissatisfied with the Service Dealer's analysis or with the assistance provided, contact us at:

Customer Care Department, RLC Division
The Toro Company
8111 Lyndale Avenue South
Bloomington, MN 55420-1196
Toll free at 866-214-9807 (U.S. customers)
Toll free at 866-214-9808 (Canadian customers)

Countries Other than the United States or Canada

Customers who have purchased Toro products exported from the United States or Canada should contact their Toro Distributor (Dealer) to obtain guarantee policies for your country, province, or state. If for any reason you are dissatisfied with your Distributor's service or have difficulty obtaining guarantee information, contact the Toro importer. If all other remedies fail, you may contact us at Toro Warranty Company.

*Residential purposes means use of the product on the same lot as your home. Use at more than one location, or institutional or rental use, is considered commercial use, and no warranty would apply.

Owner Responsibilities

You must maintain your Toro Product by following the maintenance procedures described in the *Operator's Manual*. Such routine maintenance, whether performed by a dealer or by you, is at your expense.

Items and Conditions Not Covered

There is no other express warranty:

- Cost of regular maintenance service or parts, such as blade sharpening or worn blades
- Any product or part which has been altered or misused and requires replacement or repair due to accidents or lack of proper maintenance
- Pickup and delivery charges
- Operational misuse, neglect, or accidents
- Repairs or attempted repairs by anyone other than an Authorized Toro Service Dealer
- Repairs necessary due to improper battery care, electrical supply irregularities, or failure to properly prepare the mower prior to any period of non-use.

General Conditions

All repairs covered by these warranties must be performed by an Authorized Toro Service Dealer using Toro-approved replacement parts. Repair by an Authorized Toro Service Dealer is your sole remedy under this warranty.

Neither The Toro Company nor Toro Warranty Company is liable for indirect, incidental, or consequential damages in connection with the use of the Toro Products covered by these warranties, including any cost or expense of providing substitute equipment or service during reasonable periods of malfunction or non-use pending completion of repairs under these warranties.

Some states do not allow exclusions of incidental or consequential damages, so the above exclusions may not apply to you.

This warranty gives you specific legal rights, and you may also have other rights which vary from state to state.