



22in Recycler® Lawn Mower

Model No. 20370—Serial No. 315000001 and Up

Model No. 20371—Serial No. 315000001 and Up

Model No. 20377—Serial No. 315000001 and Up

Model No. 20378—Serial No. 315000001 and Up

Operator's Manual

Replacement parts are available from an Authorized Service Dealer or at www.shoptoro.com.

Introduction

Read this information carefully to learn how to operate and maintain your product properly and to avoid injury and product damage. You are responsible for operating the product properly and safely.

You may contact Toro directly at www.Toro.com for product and accessory information, help finding a dealer, or to register your product.

Whenever you need service, genuine Toro parts, or additional information, contact an Authorized Service Dealer or Toro Customer Service and have the model and serial numbers of your product ready. Figure 1 identifies the location of the model and serial numbers on the product.

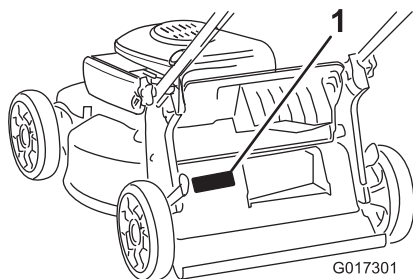


Figure 1

1. Model and serial number plate

Write the product model and serial numbers in the space below:

Model No. _____
Serial No. _____

This manual identifies potential hazards and has safety messages identified by the safety alert symbol (Figure 2), which signals a hazard that may cause serious injury or death if you do not follow the recommended precautions.



Figure 2

1. Safety alert symbol

This manual uses 2 words to highlight information.

Important calls attention to special mechanical information and **Note** emphasizes general information worthy of special attention.

WARNING

CALIFORNIA Proposition 65 Warning

The engine exhaust from this product contains chemicals known to the State of California to cause cancer, birth defects, or other reproductive harm.

Important: This engine is not equipped with a spark arrester muffler. It is a violation of California Public Resource Code Section 4442 to use or operate the engine on any forest-covered, brush-covered, or grass-covered land. Other states or federal areas may have similar laws.

This spark ignition system complies with Canadian ICES-002.

The enclosed *Engine Owner's Manual* is supplied for information regarding the US Environmental Protection Agency (EPA) and the California Emission Control Regulation of emission systems, maintenance, and warranty. Replacements may be ordered through the engine manufacturer.

For models with stated engine horsepower, the gross horsepower of the engine was laboratory rated by the engine manufacturer in accordance with SAE J1940. As configured to meet safety, emission, and operating requirements, the actual engine horsepower on this class of lawn mower will be significantly lower.



Contents

Introduction	1
Safety	2
General Operation	2
Slope Operation	2
Children	3
Service	3
Safety and Instructional Decals	4
Setup	5
1 Installing the Handle	5
2 Installing the Recoil-Starter Rope in the Rope Guide	5
3 Filling the Engine with Oil	6
4 Assembling the Grass Bag	6
Product Overview	7
Operation	7
Filling the Fuel Tank	7
Checking the Engine-Oil Level	8
Adjusting the Cutting Height	8
Starting the Engine	9
Using the Self-Propel Drive	9
Stopping the Engine	9
Recycling the Clippings	9
Bagging the Clippings	9
Side-Discharging the Clippings	10
Operating Tips	11
Maintenance	12
Recommended Maintenance Schedule(s)	12
Preparing for Maintenance	12
Servicing the Air Cleaner	12
Changing the Engine Oil	13
Replacing the Blade	14
Adjusting the Self-Propel Drive	15
Cleaning under the Machine	15
Storage	16
Preparing the Machine for Storage	16
Folding the Handle	16
Removing the Machine from Storage	16

Safety

This lawn mower meets or exceeds the CPSC blade safety requirements for walk-behind rotary lawn mowers and the B71.1 specifications of the American National Standards Institute in effect at the time of production.

Read and understand the contents of this manual before you start the engine.

The safety alert symbol (Figure 2) is used to alert you to potential personal injury hazards. Obey all safety messages that follow this symbol to avoid possible injury or death. Improperly using or maintaining this mower could result in injury or death. To reduce this potential, comply with the following safety instructions.

The following instructions have been adapted from the ANSI/OPEI standard B71.1-2012.

This cutting machine can amputate hands and feet and throw objects. Failure to observe the following safety instructions could result in serious injury or death.

General Operation

- Read, understand, and follow all instructions on the machine and in the manual(s) before starting the engine.
- Do not put hands or feet near or under the machine. Keep clear of the discharge opening at all times.
- Only allow responsible adults who are familiar with the instructions to operate this machine.
- Clear the area of objects such as rocks, wire, toys, etc., which could be thrown by the blade. Stay behind the handle when the engine is running.
- Be sure the area is clear of bystanders before operating. Stop machine if anyone enters the area.
- Do not operate the machine barefooted or while wearing sandals. Always wear substantial footwear.
- Do not pull the machine backward unless it is absolutely necessary. Always look down and behind before and while moving backward with the machine.
- Never direct discharged material toward anyone. Avoid discharging material against a wall or obstruction. Material may ricochet back toward you or bystanders. Stop the blade when crossing gravel surfaces.
- Do not operate the machine without the entire grass catcher, discharge guard, rear guard, or other safety protective devices in place and working.
- Never leave a running machine unattended.
- Stop the engine and wait until the blade comes to a complete stop before cleaning the machine, removing grass catcher, or unclogging the discharge guard.
- Operate the machine only in daylight or good artificial light.
- Do not operate the machine while under the influence of alcohol or drugs.
- Never operate the machine in wet grass. Always be sure of your footing; walk; never run.
- Disengage the drive system, if so equipped, before starting the engine.
- If the machine should start to vibrate abnormally, stop the engine and check for the cause immediately. Vibration is generally a warning of trouble.
- Always wear eye protection when operating the machine.
- See the manufacturer's instructions for proper operation and installation of accessories. Use only accessories approved by the manufacturer.

Slope Operation

Slopes are a major factor related to slip and fall accidents, which can result in severe injury. Operation on all slopes

requires extra caution. If you feel uneasy on a slope, do not mow it.

- Mow across the face of slopes; never up and down. Exercise extreme caution when changing direction on slopes.
- Watch for holes, ruts, bumps, rocks, or other hidden objects. Uneven terrain could cause a slip-and-fall accident. Tall grass can hide obstacles.
- Do not mow on wet grass or excessively steep slopes. Poor footing could cause a slip-and-fall accident.
- Do not mow near drop-offs, ditches, or embankments. You could lose your footing or balance.

Children

Tragic accidents can occur if the operator is not alert to the presence of children. Children are often attracted to the machine and the mowing activity. **Never** assume that children will remain where you last saw them.

- Keep children out of the mowing area and under the watchful care of a responsible adult other than the operator.
- Be alert and turn the machine off if a child enters the area.
- Never allow children to operate the machine.
- Use extra care when approaching blind corners, shrubs, trees, or other objects that may block your view of a child.

Service

Safe Handling of Gasoline

To avoid personal injury or property damage, use extreme care in handling gasoline. Gasoline is extremely flammable and the vapors are explosive.

- Extinguish all cigarettes, cigars, pipes, and other sources of ignition.
- Use only an approved gasoline container.
- Never remove the fuel cap or add fuel with the engine running. Allow the engine to cool before refueling.
- Never refuel the machine indoors.
- Never store the machine or fuel container where there is an open flame, spark, or pilot light, such as on a water heater or on other appliances.
- Never fill containers inside a vehicle or on a truck or trailer bed with a plastic liner. Always place containers on the ground, away from your vehicle before filling.
- Remove gas-powered equipment from the truck or trailer and refuel it on the ground. If this is not possible, then refuel such equipment with a portable container rather than from a gasoline dispenser nozzle.

- Keep the nozzle in contact with the rim of the fuel tank or container opening at all times until fueling is complete. Do not use a nozzle lock-open device.
- If fuel is spilled on clothing, change clothing immediately.
- Never overfill the fuel tank. Replace the fuel cap and tighten it securely.

⚠ WARNING

Exhaust contains carbon monoxide, an odorless, deadly poison that can kill you.

Do not run the engine indoors or in an enclosed area.

General Service

- Never operate the machine in a closed area.
- Keep all nuts and bolts tight to be sure that the equipment is in safe working condition.
- Never tamper with safety devices. Check their proper operation regularly.
- Keep machine free of grass, leaves, or other debris build-up. Clean up oil or fuel spillage and remove any fuel-soaked debris. Allow the machine to cool before storing it.
- If you strike a foreign object, stop and inspect the machine. Repair the machine, if necessary, before starting it.
- Never make any adjustments or repairs with the engine running. Disconnect the spark-plug wire and ground against the engine to prevent it from unintentionally starting.
- Check the grass catcher components and the discharge guard frequently and replace them with the manufacturer's recommended parts when necessary.
- Mower blades are sharp. Wrap the blade or wear gloves, and use extra caution when servicing them.
- Do not change the engine governor setting or overspeed the engine.
- Maintain or replace safety and instruction labels as necessary.
- To best protect your investment and maintain optimal performance of your Toro equipment, count on Toro genuine parts. When it comes to reliability, Toro delivers replacement parts designed to the exact engineering specifications of our equipment. For peace of mind, insist on Toro genuine parts.

Safety and Instructional Decals

Important: Safety and instruction decals are located near areas of potential danger. Replace damaged decals.



Manufacturer's Mark

1. Indicates the blade is identified as a part from the original machine manufacturer.

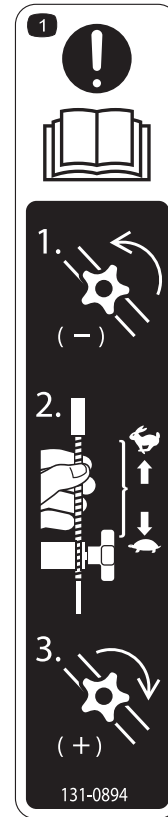


94-8072



112-8867

1. Lock
2. Unlock



131-0894

Traction Adjustment

1. Attention; read the *Operator's Manual*—1) Loosen the knob by turning it counter clockwise; 2) Pull the cable(s) away from the engine to decrease the traction, or push the cable(s) toward the engine to increase the traction; 3) Tighten the knob by turning it clockwise.



131-4514

1. Warning—read the *Operator's Manual*.
2. Cutting/dismemberment hazard of hand or foot, mower blade—stay away from moving parts; keep all guards and shields in place.
3. Cutting/dismemberment hazard of hand or foot, mower blade—disconnect the spark-plug wire and read the instructions before servicing or performing maintenance.
4. Thrown object hazard—keep bystanders a safe distance from the machine.
5. Cutting/dismemberment hazard of hand or foot, mower blade—do not operate up and down slopes; operate side to side on slopes; stop the engine before leaving the operating position; and look behind you when backing up.

Setup

Important: Remove and discard the protective plastic sheet that covers the engine.

1

Installing the Handle

No Parts Required

Procedure

⚠ WARNING

Folding or unfolding the handle improperly can damage the cables, causing an unsafe operating condition.

- Do not damage the cables when folding or unfolding the handle.
- If a cable is damaged, contact an Authorized Service Dealer.

1. Remove the handle knobs from the machine housing (Figure 3).

Important: Route the cables to the outside of the handle knobs as you install the handle.

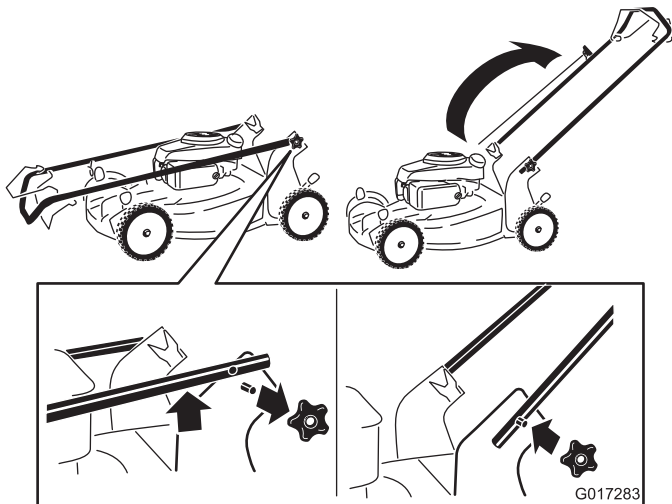


Figure 3

2. Move the handle to the operating position.
3. Install and tighten the handle knobs that you removed in step 1 (Figure 3).

2

Installing the Recoil-Starter Rope in the Rope Guide

No Parts Required

Procedure

Important: To start the engine safely and easily whenever you use the machine, install the recoil-starter rope in the rope guide.

Hold the blade-control bar to the upper handle and pull the recoil-starter rope through the rope guide on the handle (Figure 4).

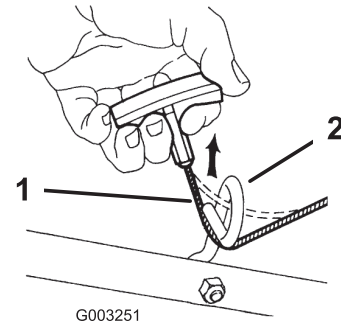


Figure 4

1. Recoil-starter rope
2. Rope guide

3

Filling the Engine with Oil

No Parts Required

Procedure

Your machine does not come with oil in the engine.

1. Remove the dipstick (Figure 5).

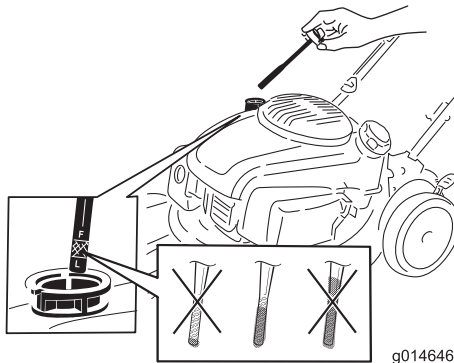


Figure 5

g014646

2. **Slowly** pour oil into the oil-fill tube until the oil level reaches the Full line on the dipstick (Figure 5). **Do not overfill.** (Max. fill: 0.65 L (22 oz), type: 10W-30 or SAE 30 detergent oil with an API service classification of SJ or higher.)

Note: Each time you check the oil level, remove the dipstick and wipe it clean, insert it into the oil filler neck (but **do not** screw it in), then remove it again and check the level (Figure 5).

Note: If you overfill the engine, pour some oil out of it; refer to Changing the Engine Oil (page 13).

3. Install the dipstick securely.

Important: *Change the engine oil after the first 5 operating hours; change it yearly thereafter. Refer to Changing the Engine Oil (page 13).*

4

Assembling the Grass Bag

No Parts Required

Procedure

1. Slip the grass bag over the frame as shown in Figure 6.

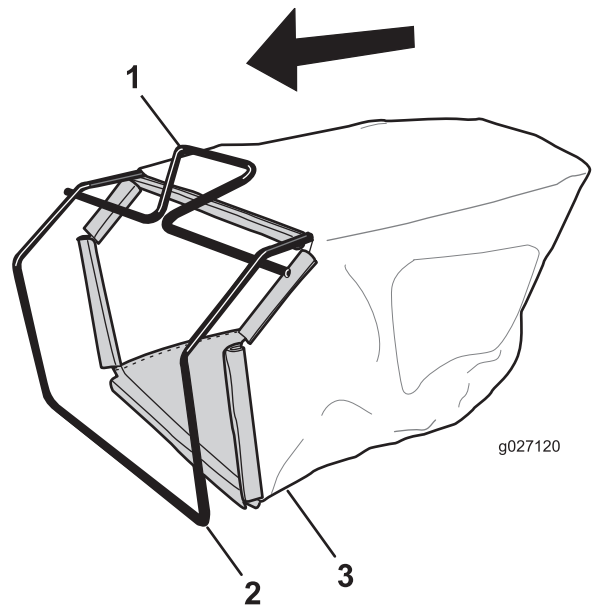


Figure 6

1. Handle
2. Frame
3. Grass bag

Note: Do not slip the bag over the handle (Figure 6).

2. Hook the bottom channel of the bag onto the bottom of the frame (Figure 7).

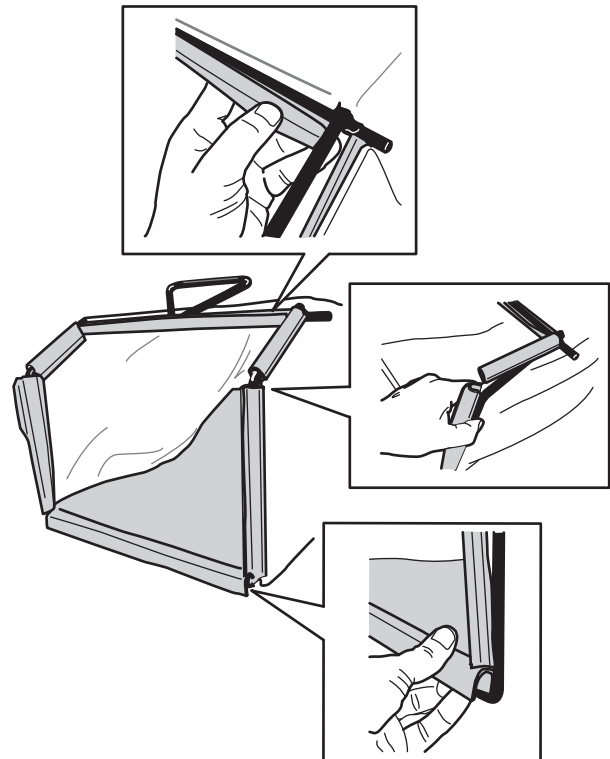


Figure 7

g027121

3. Hook the top and side channels of the bag onto the top and sides of the frame, respectively (Figure 7).

Product Overview

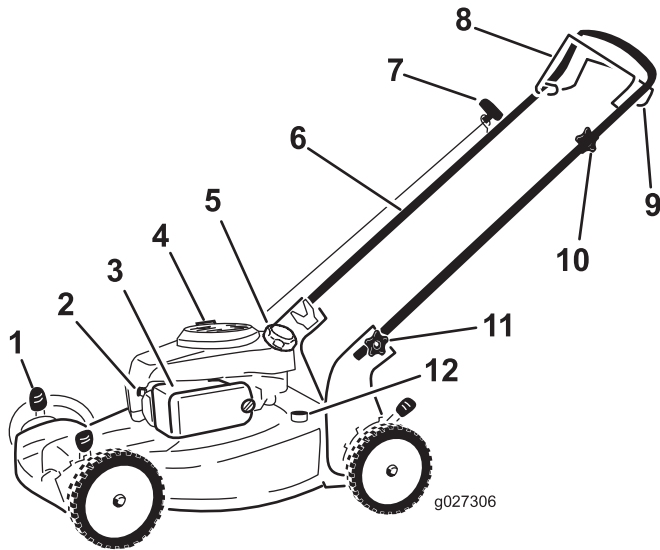


Figure 8

- | | |
|-----------------------------|---|
| 1. Cutting-height lever (4) | 7. Recoil-start handle |
| 2. Spark plug | 8. Blade-control bar |
| 3. Air filter (not shown) | 9. Self-propel-drive bar |
| 4. Oil fill/dipstick | 10. Adjustment knob for the self-propel drive |
| 5. Fuel-tank cap | 11. Handle knob (2) |
| 6. Handle | 12. Washout port |

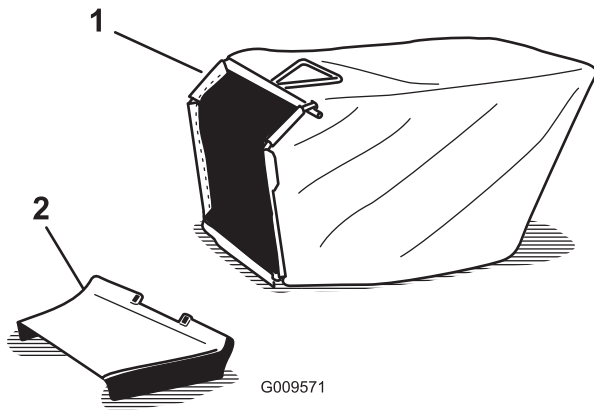


Figure 9

- | | |
|--------------|-------------------------|
| 1. Grass bag | 2. Side-discharge chute |
|--------------|-------------------------|

Operation

Filling the Fuel Tank

⚠ DANGER

Gasoline is extremely flammable and explosive. A fire or explosion from gasoline can burn you and others.

- To prevent a static charge from igniting the gasoline, place the container and/or machine directly on the ground before filling, not in a vehicle or on an object.
- Fill the tank outdoors when the engine is cold. Wipe up spills.
- Do not handle gasoline when smoking or around an open flame or sparks.
- Store gasoline in an approved fuel container, out of the reach of children.
- For best results, use only clean, fresh (less than 30 days old), unleaded gasoline with an octane rating of 87 or higher ((R+M)/2 rating method).
- Oxygenated fuel with up to 10% ethanol or 15% MTBE by volume is acceptable.
- **Ethanol:** Gasoline with up to 10% ethanol (gasohol) or 15% MTBE (methyl tertiary butyl ether) by volume is acceptable. Ethanol and MTBE are not the same. Gasoline with 15% ethanol (E15) by volume is not approved for use. Never use gasoline that contains more than 10% ethanol by volume, such as E15 (contains 15% ethanol), E20 (contains 20% ethanol), or E85 (contains up to 85% ethanol). Using unapproved gasoline may cause performance problems and/or engine damage which may not be covered under warranty.
- Do not use gasoline containing methanol.
- Do not store fuel either in the fuel tank or in fuel containers over the winter unless a fuel stabilizer is used.
- Do not add oil to gasoline.

Fill the fuel tank with fresh unleaded regular gasoline from a major name-brand service station (Figure 10).

Important: To reduce starting problems, add fuel stabilizer to the fuel all season, mixing it with gasoline less than 30 days old.

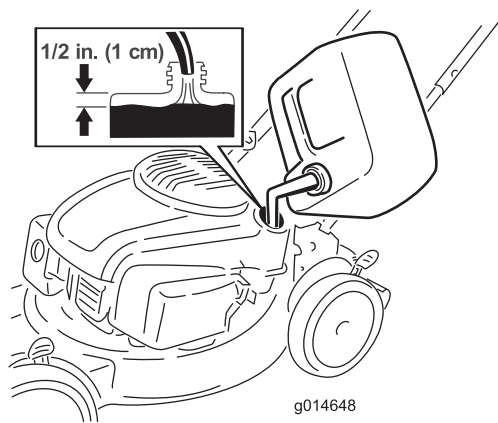


Figure 10

Checking the Engine-Oil Level

Service Interval: Before each use or daily

1. Remove the dipstick, wipe it clean, and insert it into the oil-filler neck, but **do not** screw it in (Figure 11).

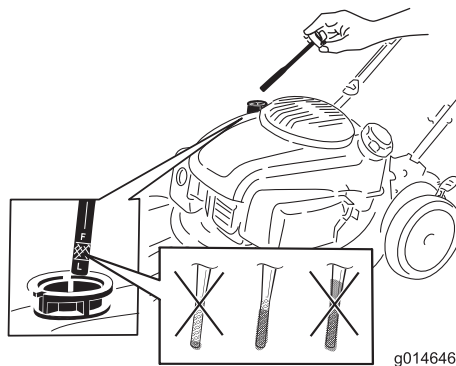


Figure 11

2. Remove the dipstick and check the oil level (Figure 11). If the oil level is below the Add mark on the dipstick, **slowly** pour oil into the oil-fill tube to raise the oil level to the Full mark on the dipstick. **Do not overfill.** (Max. fill: 0.65 L (22 oz), type: 10W-30 or SAE 30 detergent oil with an API service classification of SJ or higher.)

Note: If you overfill the engine, pour some oil out of it as directed in Changing the Engine Oil (page 13).

3. Install the dipstick securely.

Adjusting the Cutting Height

⚠ WARNING

Adjusting the cutting height may bring you into contact with the moving blade, causing serious injury.

- Stop the engine and wait for all moving parts to stop.
- Do not put your fingers under the housing when adjusting the cutting height.

⚠ CAUTION

If the engine has been running, the muffler will be hot and can severely burn you. Keep away from the hot muffler.

Adjust the cutting height as desired. Set the front wheels to the same height as the rear wheels.

Note: To raise the machine, move all the cutting-height levers rearward. To lower the machine, move all the cutting-height levers forward (Figure 12).

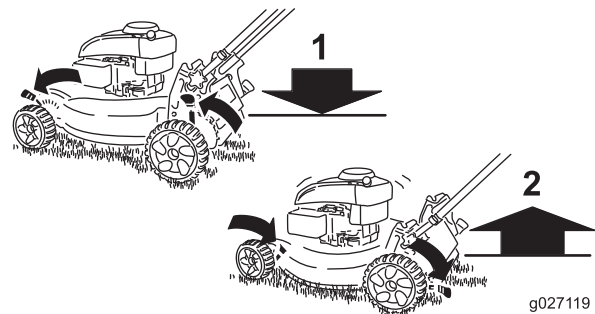


Figure 12

1. Lower the machine
2. Raise the machine

Note: The cutting-height settings are 25 mm (1 inch); 35 mm (1-3/8 inches); 44 mm (1-3/4 inches); 54 mm (2-1/8 inches); 64 mm (2-1/2 inches); 73 mm (2-7/8 inches); 83 mm (3-1/4 inches); 92 mm (3-5/8 inches); and 102 mm (4 inches).

Starting the Engine

1. Hold the blade-control bar against the handle (Figure 13).

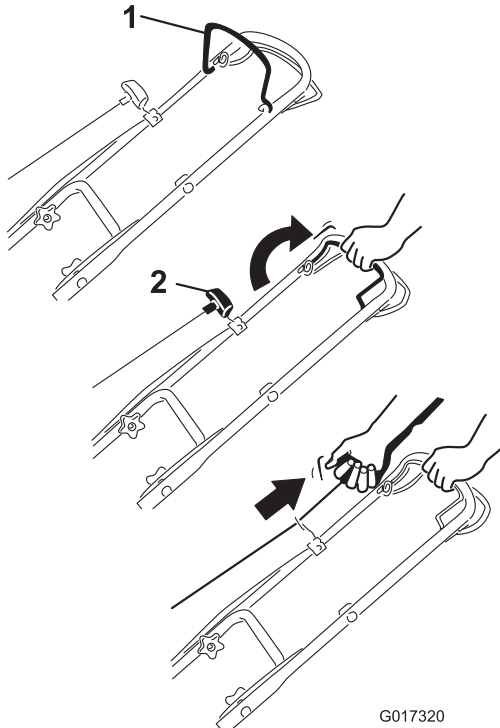


Figure 13

1. Blade-control bar
2. Recoil-start handle

2. Pull the recoil-start handle lightly until you feel resistance, then pull it sharply. Allow the rope to return to the handle slowly (Figure 13).

Note: If the machine does not start after several attempts, contact an Authorized Service Dealer.

Using the Self-Propel Drive

To operate the self-propel drive, squeeze the self-propel-drive bar (Figure 14) toward the handle and hold it.

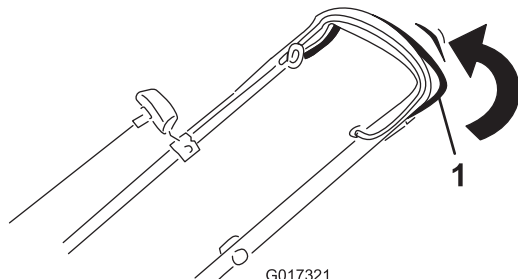


Figure 14

1. Self-propel-drive bar

To disengage the self-propel drive, release the self-propel-drive bar.

Note: The maximum self-propel ground speed is fixed. To reduce the ground speed, increase the space between the self-propel-drive bar and the handle.

Stopping the Engine

To stop the engine, release the blade-control bar.

Important: When you release the blade-control bar, both the engine and blade should stop within 3 seconds. If they do not stop properly, stop using your machine immediately and contact an Authorized Service Dealer.

Recycling the Clippings

Your machine comes from the factory ready to recycle the grass and leaf clippings back into the lawn.

If the grass bag is on the machine, remove it; refer to Removing the Grass Bag (page 10) before recycling the clippings. If the side-discharge chute is on the machine, remove it; refer to Removing the Side-Discharge Chute (page 11) before recycling the clippings.

Bagging the Clippings

Use the grass bag when you want to collect grass and leaf clippings from the lawn.

Note: Ensure the bag is seated in the correct position.

⚠ WARNING

A worn grass bag could allow small stones and other similar debris to be thrown toward you or bystanders, resulting in serious personal injury or death.

Check the grass bag frequently. If it is damaged, install a new Toro replacement bag.

If the side discharge chute is on the machine, remove it; refer to Removing the Side-Discharge Chute (page 11) before bagging the clippings.

⚠ WARNING

The blade is sharp; contacting the blade can result in serious personal injury.

Stop the engine and wait for all moving parts to stop before leaving the operating position.

Installing the Grass Bag

Note: Ensure the bag is seated in the correct position.

1. Raise and hold up the rear deflector (Figure 15).

Side-Discharging the Clippings

Use the side discharge for cutting very tall grass.

If the bag is on the machine, remove it before side-discharging the clippings.

⚠ WARNING

The blade is sharp; contacting the blade can result in serious personal injury.

Stop the engine and wait for all moving parts to stop before leaving the operating position.

Installing the Side-Discharge Chute

Lift up the side deflector and install the side-discharge chute (Figure 16).

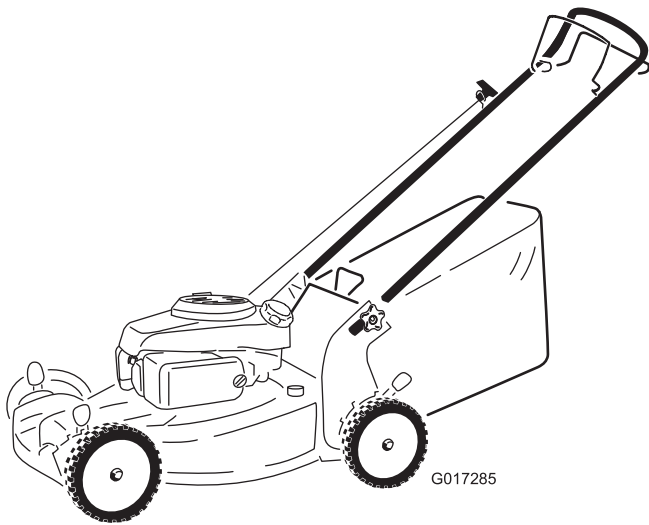
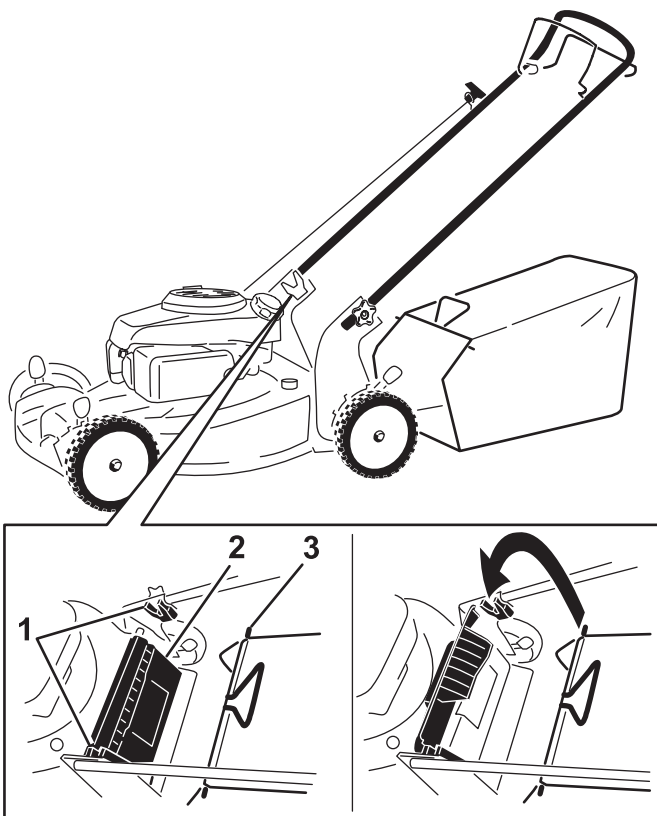


Figure 15

1. Notches
2. Rear deflector
3. Grass bag pin (2)

2. Install the grass bag, ensuring that the pins on the bag rest in the notches on the handle (Figure 15).
3. Lower the rear deflector.

Removing the Grass Bag

To remove the bag, reverse the steps above.



Figure 16

Removing the Side-Discharge Chute

To remove the side-discharge chute, lift up the side deflector, remove the side-discharge chute, and lower the side-discharge deflector.

Operating Tips

General Mowing Tips

- Clear the area of sticks, stones, wire, branches, and other debris that the blade could hit.
- Avoid striking solid objects with the blade. Never deliberately mow over any object.
- If the machine strikes an object or starts to vibrate, immediately stop the engine, disconnect the wire from the spark plug, and examine the machine for damage.
- For best performance, install a new blade before the cutting season begins.
- Replace the blade when necessary with a Toro replacement blade.

Cutting Grass

- Cut only about a third of the grass blade at a time. Do not cut below the 54 mm (2-1/8-inch) setting unless the grass is sparse or it is late fall when grass growth begins to slow down. Refer to Adjusting the Cutting Height (page 8).
- When cutting grass over 15 cm (6 inches) tall, mow at the highest cutting height setting and walk slower; then mow again at a lower setting for the best lawn appearance. If the grass is too long, the machine may plug and cause the engine to stall.
- Mow only dry grass or leaves. Wet grass and leaves tend to clump on the yard and can cause the machine to plug or the engine to stall.

⚠ WARNING

Wet grass or leaves can cause serious injury if you slip and contact the blade. Mow only in dry conditions.

- Be aware of a potential fire hazard in very dry conditions, follow all local fire warnings, and keep the machine free of dry grass and leaf debris.
- Alternate the mowing direction. This helps disperse the clippings over the lawn for even fertilization.
- If the finished lawn appearance is unsatisfactory, try 1 or more of the following:
 - Replace the blade or have it sharpened.
 - Walk at a slower pace while mowing.
 - Raise the cutting height on your machine.

- Cut the grass more frequently.
- Overlap cutting swaths instead of cutting a full swath with each pass.
- Set the cutting height on the front wheels a notch lower than the rear wheels. For example, set the front wheels at 54 mm (2-1/8-inches) and the rear wheels at 64 mm (2-1/2 inches).

Cutting Leaves

- After cutting the lawn, ensure that half of the lawn shows through the cut leaf cover. You may need to make more than a single pass over the leaves.
- If there are more than 13 cm (5 inches) of leaves on the lawn, set the front cutting height 1 or 2 notches higher than the rear cutting height.
- Slow down your mowing speed if the machine does not cut the leaves finely enough.

Maintenance

Note: Determine the left and right sides of the machine from the normal operating position.

Recommended Maintenance Schedule(s)

Maintenance Service Interval	Maintenance Procedure
After the first 5 hours	<ul style="list-style-type: none"> Change the engine oil.
Before each use or daily	<ul style="list-style-type: none"> Check the engine-oil level. Ensure that the engine stops within 3 seconds after releasing the blade-control bar. Clean grass clippings and dirt from under the machine.
Every 25 hours	<ul style="list-style-type: none"> Check the air cleaner for dirty, loose, or damaged parts, and clean or replace them if necessary.
Every 50 hours	<ul style="list-style-type: none"> Change the engine oil.
Every 100 hours	<ul style="list-style-type: none"> Replace the air cleaner element (more frequently when operating the machine in dusty or dirty operating conditions).
Before storage	<ul style="list-style-type: none"> Empty the fuel tank before repairs as directed and before annual storage.
Yearly	<ul style="list-style-type: none"> Replace the blade or have it sharpened; replace or sharpen it more frequently if the edge dulls quickly. Clean the air cooling system; clean it more frequently in dusty operating conditions. Refer to your engine owner's manual. Refer to your engine owner's manual for any additional yearly maintenance procedures.

Important: Refer to your engine owner's manual for additional maintenance procedures.

Note: Replacement parts are available from an Authorized Service Dealer (go to www.toro.com to find the nearest dealer) or at www.shoptoro.com.

Preparing for Maintenance

1. Stop the engine and wait for all moving parts to stop.
2. Disconnect the spark-plug wire from the spark plug (Figure 17) before performing any maintenance procedure.

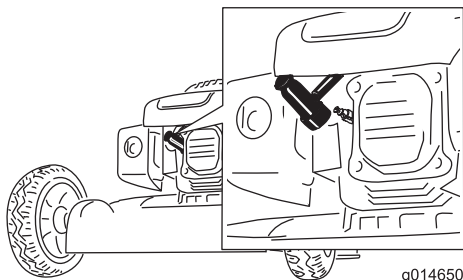


Figure 17

1. Spark plug wire

3. After performing the maintenance procedure(s), connect the spark-plug wire to the spark plug.

Important: Before tipping the machine to change the oil or replace the blade, allow the fuel tank to run dry through normal usage. If you must tip

the machine prior to running out of fuel, use a hand fuel pump to remove the fuel. Always tip the machine onto its side with the dipstick down.

⚠ WARNING

Tipping the machine may cause the fuel to leak. Gasoline is flammable and explosive and can cause personal injury.

Run the engine dry or remove the gasoline with a hand pump; never siphon.

Servicing the Air Cleaner

Service Interval: Every 25 hours/Yearly (whichever comes first)—Check the air cleaner for dirty, loose, or damaged parts, and clean or replace them if necessary.

Every 100 hours/Yearly (whichever comes first)—Replace the air cleaner element (more frequently when operating the machine in dusty or dirty operating conditions).

1. Perform the pre-maintenance procedures; refer to Preparing for Maintenance (page 12).

2. Press down on the latch tabs on top of the air-cleaner cover (Figure 18).

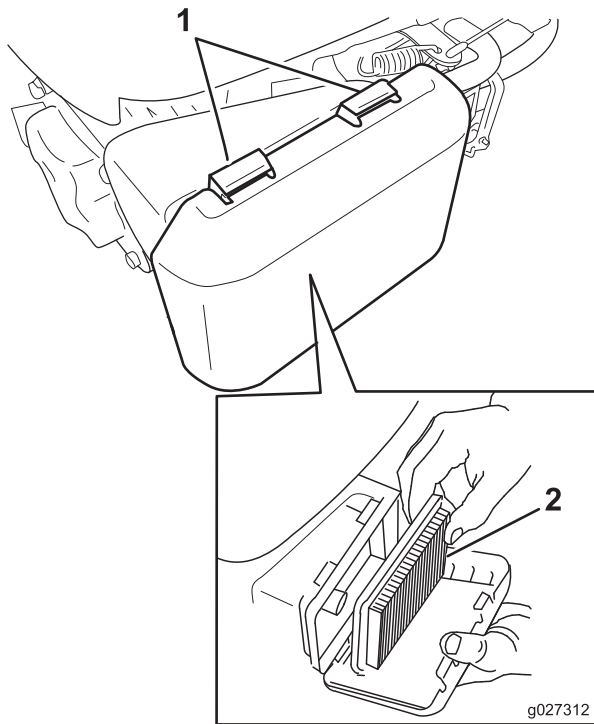


Figure 18

1. Latch tabs
2. Air-cleaner element

3. Open the cover.
4. Replace the air-cleaner element.
5. Install the cover.

Changing the Engine Oil

Service Interval: After the first 5 hours

Every 50 hours/Yearly (whichever comes first)

Run the engine a few minutes before changing the oil to warm it. Warm oil flows better and carries more contaminants.

1. Perform the pre-maintenance procedures; refer to Preparing for Maintenance (page 12).
2. Tip the machine onto its side, with the air filter up, then remove the dipstick to drain the used oil out through the oil-fill tube (Figure 19).

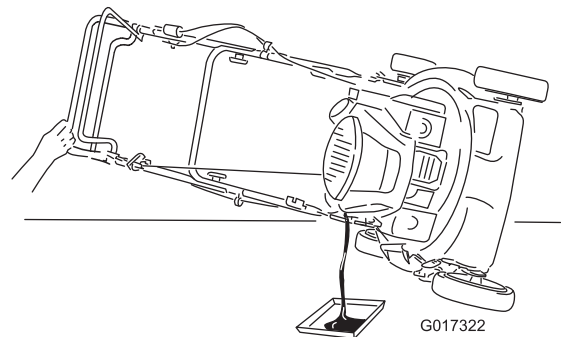


Figure 19

3. After draining the used oil, return the machine to the normal operating position.
4. **Slowly** pour oil into the oil-fill tube until the oil level reaches the Full line on the dipstick (Figure 20). **Do not overfill.** (Max. fill: 0.65 L (22 oz), type: 10W-30 or SAE 30 detergent oil with an API service classification of SJ or higher.)

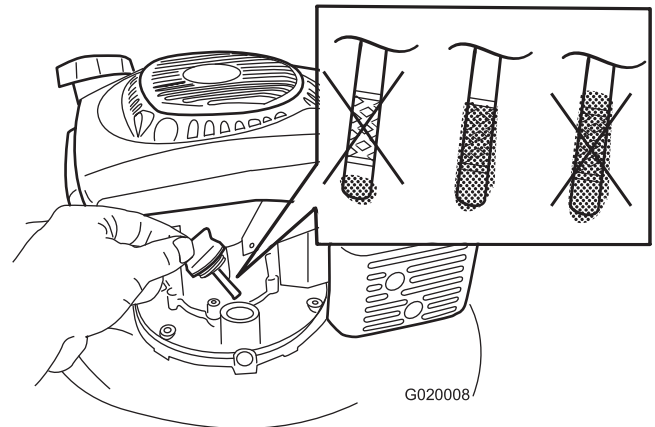


Figure 20

Note: Each time you check the oil level, remove the dipstick and wipe it clean, insert it into the oil-filler neck (but **do not** screw it in), then remove it again and check the level of the dipstick.

Note: If you overfill the engine, drain some of the oil out of the engine crankcase.

5. Install the dipstick securely.
6. Dispose of the used oil properly at a local recycling center.

Replacing the Blade

Service Interval: Yearly

Important: You will need a torque wrench to install the blade properly. If you do not have a torque wrench or are uncomfortable performing this procedure, contact an Authorized Service Dealer.

Examine the blade whenever you run out of gasoline. If the blade is damaged or cracked, replace it immediately. If the blade edge is dull or nicked, have it sharpened and balanced, or replace it.

⚠ WARNING

The blade is sharp; contacting the blade can result in serious personal injury.

Wear gloves when servicing the blade.

1. Refer to Preparing for Maintenance (page 12).
2. Tip the machine onto its side with the air filter up.
3. Use a block of wood to hold the blade steady (Figure 21).

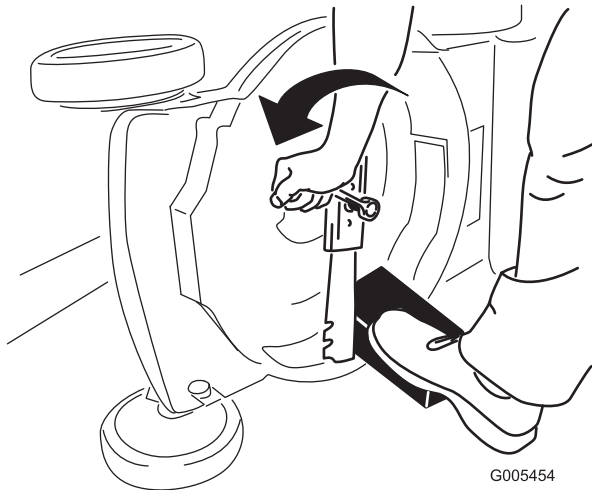


Figure 21

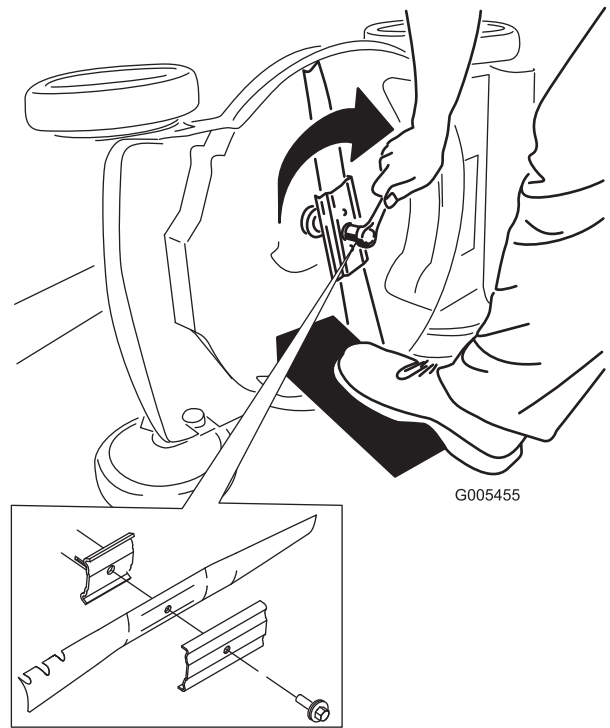


Figure 22

Important: Position the curved ends of the blade to point toward the machine housing.

6. Use a torque wrench to tighten the blade bolt to 82 N-m (60 ft-lb).

Important: A bolt torqued to 82 N-m (60 ft-lb) is very tight. While holding the blade with a block of wood, put your weight behind the ratchet or wrench and tighten the bolt securely. This bolt is very difficult to overtighten.

4. Remove the blade, saving all mounting hardware (Figure 21).
5. Install the new blade and all mounting hardware (Figure 22).

Adjusting the Self-Propel Drive

Whenever you install a new self-propel cable or if the self-propel drive is out of adjustment, adjust the self-propel drive.

1. Turn the adjustment knob counterclockwise to loosen the cable adjustment (Figure 23).

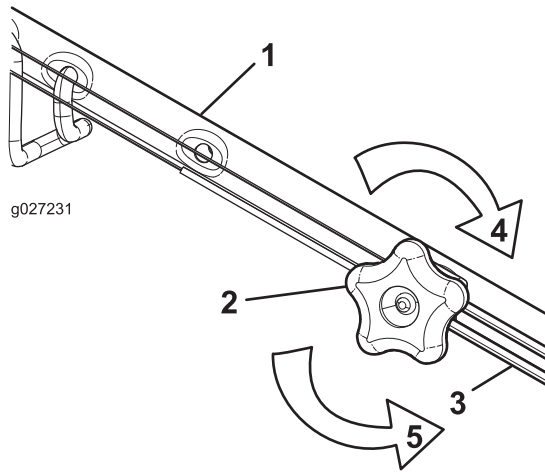


Figure 23

- | | |
|----------------------------|---|
| 1. Handle (left side) | 4. Turn the knob clockwise to tighten the adjustment. |
| 2. Adjustment knob | 5. Turn the knob counterclockwise to loosen the adjustment. |
| 3. Self-propel-drive cable | |

2. Adjust the tension on the cable (Figure 23) by pulling it back or pushing it forward and holding that position.

Note: Push the cable toward the engine to increase the traction; pull the cable away from the engine to decrease the traction.

3. Turn the adjustment knob clockwise to tighten the adjustment of the cable.

Note: Tighten the knob firmly by hand.

Cleaning under the Machine

Service Interval: Before each use or daily

⚠ WARNING

The machine may dislodge material from under the machine.

- Wear eye protection.
- Stay in the operating position (behind the handle) when the engine is running.
- Do not allow bystanders in the area.

For best results, clean the machine soon after you have completed mowing.

1. Lower the machine to the lowest cutting height setting. Refer to Adjusting the Cutting Height (page 8).
2. Move the machine onto a flat paved surface.
3. Wash out the area under the rear deflector where the clippings go from the underside of the machine to the grass bag.

Note: Wash out the area with the bag-on-demand in both the fully forward and fully rearward positions.

4. Attach a garden hose that is connected to a water supply to the washout port on the machine (Figure 24).

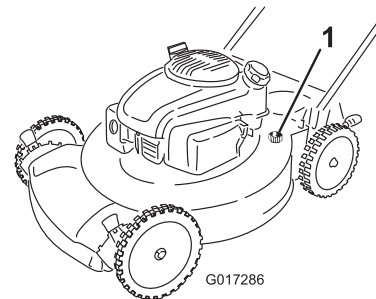


Figure 24

1. Washout port

5. Turn the water on.
6. Start the engine and run it until there are no more clippings that come out from under the machine.
7. Stop the engine.
8. Shut off the water and disconnect the garden hose from the machine.
9. Start the engine and run it for a few minutes to dry the underside of the machine to prevent it from rusting.
10. Allow the engine to cool before storing the machine in an enclosed area.

Storage

Store the machine in a cool, clean, dry place.

Preparing the Machine for Storage

⚠ WARNING

Gasoline vapors can explode.

- Do not store gasoline more than 30 days.
 - Do not store the machine in an enclosure near an open flame.
 - Allow the engine to cool before storing it.
1. On the last refueling of the year, add fuel stabilizer to the fuel as directed by the engine manufacturer.
 2. Dispose of any unused fuel properly. Recycle it according to local codes, or use it in your automobile.
Note: Old fuel in the fuel tank is the leading cause of hard starting. Do not store fuel without stabilizer more than 30 days, and do not store stabilized fuel more than 90 days.
 3. Run the machine until the engine stops from running out of fuel.
 4. Start the engine again.
 5. Allow the engine to run until it stops. When you can no longer start the engine, it is sufficiently dry.
 6. Disconnect the wire from the spark plug.
 7. Remove the spark plug, add 30 ml (1 oz) of oil through the spark plug hole, and pull the starter rope slowly several times to distribute oil throughout the cylinder to prevent cylinder corrosion during the off-season.
 8. Loosely install the spark plug.
 9. Tighten all nuts, bolts, and screws.

Folding the Handle

⚠ WARNING

Folding or unfolding the handle improperly can damage the cables, causing an unsafe operating condition.

- Do not damage the cables when folding or unfolding the handle.
 - If a cable is damaged, contact an Authorized Service Dealer.
1. Loosen the handle knobs until you can move the upper handle freely.

2. Fold the upper handle forward as shown in Figure 25.

Important: Route the cables to the outside of the handle knobs as you fold the handle.

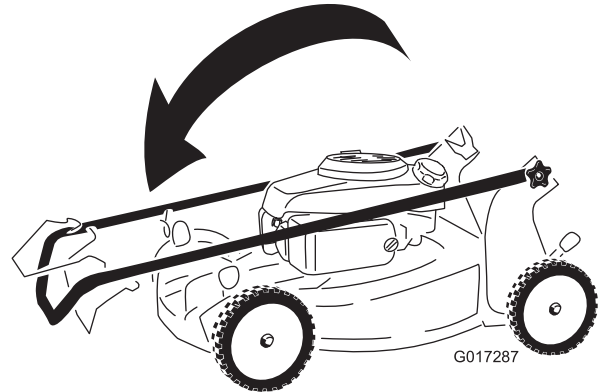


Figure 25

3. To unfold the handle, reverse the steps above.

Removing the Machine from Storage

1. Remove the spark plug and spin the engine rapidly by pulling the recoil start handle to blow the excess oil from the cylinder.
2. Install the spark plug and tighten it with a torque wrench to 20 N-m (15 ft-lb).
3. Connect the wire to the spark plug.

Notes:

Notes:

Notes:



The Toro Total Coverage Guarantee

A 2-Year Full Warranty (45 Day Limited Warranty for Commercial Use)

22 in Recycler®
20 in Mulcher/Bagger
Walk Power Mowers

The Toro GTS Starting Guarantee

A 3-Year Full Warranty (Not Applicable for Commercial Use)

Conditions and Products Covered

The Toro Company and its affiliate, Toro Warranty Company, pursuant to an agreement between them, jointly promise to repair the Toro Product listed below if used for residential purposes*; if it is defective in materials or workmanship or if it stops functioning due to the failure of a component; or if the Toro GTS (Guaranteed to Start) engine will not start on the first or second pull, provided the routine maintenance required in the *Operator's Manual* have been performed.

This warranty covers the cost of parts and labor, but you must pay transportation costs.

The following time periods apply from the date of purchase:

Products	Warranty Period
22 in Recycler and 20 in Mulcher/Bagger and Attachments	2 - year full warranty
GTS (Guaranteed to Start) Engine	3 - year full warranty
Battery	1 - year full warranty

Limited Warranty for Commercial Use*

Gas-powered Toro Products used for commercial, institutional, or rental use, are warranted for 45 days against defects in materials or workmanship. Components failing due to normal wear are not covered by this warranty.

The Toro GTS (Guaranteed to Start) Starting Guarantee does not apply when the product is used commercially*.

Instructions for Obtaining Warranty Service

If you think that your Toro Product contains a defect in materials or workmanship, or if a normal, able-bodied adult can no longer start your product's engine in one or two pulls, follow this procedure:

- Contact any Authorized Toro Service Dealer to arrange service at their dealership. To locate a dealer convenient to you, refer to the *Yellow Pages* of your telephone directory (look under "Lawn Mowers") or access our web site at www.Toro.com. You may also call the numbers listed in item #3 to use the 24-hour Toro Dealer locator system.
- Bring the product and your proof of purchase (sales receipt) to the Service Dealer. The dealer will diagnose the problem and determine if it is covered under warranty.
- If for any reason you are dissatisfied with the Service Dealer's analysis or with the assistance provided, contact us at:

Customer Care Department, RLC Division
The Toro Company
8111 Lyndale Avenue South
Bloomington, MN 55420-1196
Toll free at 866-214-9807 (U.S. customers)
Toll free at 866-214-9808 (Canadian customers)

Owner Responsibilities

You must maintain your Toro Product by following the maintenance procedures described in the *Operator's Manual*. Such routine maintenance, whether performed by a dealer or by you, is at your expense.

Countries Other than the United States or Canada

Customers who have purchased Toro products exported from the United States or Canada should contact their Toro Distributor (Dealer) to obtain guarantee policies for your country, province, or state. If for any reason you are dissatisfied with your Distributor's service or have difficulty obtaining guarantee information, contact the Toro importer. If all other remedies fail, you may contact us at Toro Warranty Company.

Australian Consumer Law: Australian customers will find details relating to the Australian Consumer Law either inside the box or at your local Toro Dealer.

*Residential purposes means use of the product on the same lot as your home. Use at more than one location, or institutional or rental use, is considered commercial use, and the commercial use warranty would apply.

Items and Conditions Not Covered

There is no other express warranty except for special emission system coverage and engine warranty coverage on some products. This express warranty does not cover the following:

- Cost of regular maintenance service or parts, such as filters, fuel, lubricants, oil changes, spark plugs, air filters blade sharpening or worn blades, cable/linkage adjustments, or brake and clutch adjustments
- Components failing due to normal wear
- Any product or part which has been altered or misused or neglected and requires replacement or repair due to accidents or lack of proper maintenance
- Pickup and delivery charges
- Repairs or attempted repairs by anyone other than an Authorized Toro Service Dealer
- Repairs necessary due to failure to follow recommended fuel procedure (consult *Operator's Manual* for more details)
 - Removing contaminants from the fuel system is not covered
 - Use of old fuel (more than one month old) or fuel which contains more than 10% ethanol or more than 15% MTBE
 - Failure to drain the fuel system prior to any period of non-use over one month
- Repairs or adjustments to correct starting difficulties due to the following:
 - Failure to follow proper maintenance procedures or recommended fuel procedure
 - Rotary mower blade striking an object
- Special operational conditions where starting may require more than two pulls:
 - First time starts after extended period of non-use over three months or seasonal storage
 - Cool temperature starts such as those found in early spring and late autumn
 - Improper starting procedures - if you are having difficulty starting your unit, please check the *Operator's Manual* to ensure that you are using the correct starting procedures. This can save an unnecessary visit to an Authorized Toro Service Dealer.

General Conditions

All repairs covered by these warranties must be performed by an Authorized Toro Service Dealer using Toro-approved replacement parts. Repair by an Authorized Toro Service Dealer is your sole remedy under this warranty.

Neither The Toro Company nor Toro Warranty Company is liable for indirect, incidental, or consequential damages in connection with the use of the Toro Products covered by these warranties, including any cost or expense of providing substitute equipment or service during reasonable periods of malfunction or non-use pending completion of repairs under these warranties.

Some states do not allow exclusions of incidental or consequential damages, so the above exclusions may not apply to you.

This warranty gives you specific legal rights, and you may also have other rights which vary from state to state.



Cortacésped Recycler® 56 cm (22 pulgadas)

Nº de modelo 20370—Nº de serie 315000001 y superiores

Nº de modelo 20371—Nº de serie 315000001 y superiores

Nº de modelo 20377—Nº de serie 315000001 y superiores

Nº de modelo 20378—Nº de serie 315000001 y superiores

Manual del operador

Puede adquirir piezas de repuesto en un Servicio Técnico Autorizado o en www.shoptoro.com.

Introducción

Lea este manual detenidamente para aprender a utilizar y mantener correctamente su producto, y para evitar lesiones y daños al producto. Usted es el responsable de utilizar el producto de forma correcta y segura.

Puede dirigirse directamente a Toro: www.Toro.com para buscar información sobre productos y accesorios, para localizar un distribuidor o para registrar su producto.

Cuando necesite asistencia técnica, piezas genuinas Toro o información adicional, póngase en contacto con un Servicio Técnico Autorizado o con Asistencia al Cliente Toro, y tenga a mano los números de modelo y serie de su producto. **Figura 1** identifica la ubicación de los números de modelo y serie en el producto.

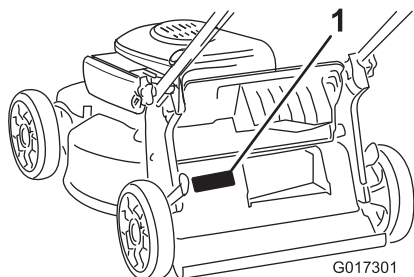


Figura 1

1. Placa con los números de modelo y de serie

Anote a continuación los números de modelo y de serie de su producto:

Nº de modelo _____
Nº de serie _____

Este manual identifica peligros potenciales y contiene mensajes de seguridad identificados por el símbolo de alerta de seguridad (**Figura 2**), que señala un peligro que puede causar lesiones graves o la muerte si usted no sigue las precauciones recomendadas.



Figura 2

1. Símbolo de alerta de seguridad

Este manual utiliza 2 palabras para resaltar información. **Importante** llama la atención sobre información mecánica especial, y **Nota** resalta información general que merece una atención especial.

ADVERTENCIA

CALIFORNIA

Advertencia de la Propuesta 65

Los gases de escape de este producto contienen sustancias químicas que en estado de California considera causantes de cáncer, defectos congénitos y otros trastornos del sistema reproductor.

Importante: Este motor no está equipado con un silenciador con parachispas. Es una infracción de la legislación de California (California Public Resource Code Section 4442) la utilización o la operación del motor en cualquier terreno de bosque, monte o terreno cubierto de hierba. Otros estados o zonas federales pueden tener leyes similares.

Este sistema de encendido por chispa cumple la norma canadiense ICES-002.

El *Manual del propietario del motor* adjunto ofrece información sobre las normas de la Agencia de protección ambiental de EE. UU. (U.S. Environmental Protection Agency/EPA) y de la Norma de control de emisiones de California (California Emission Control Regulation) sobre sistemas de emisiones, mantenimiento y garantía. Puede solicitarse un manual nuevo al fabricante del motor.

En los casos en que se indica la potencia en cv del motor, la potencia bruta del motor fue calculada en el laboratorio por el



fabricante del motor, con arreglo a lo estipulado en SAEJ1940. Debido a que el motor está configurado para cumplir los requisitos de seguridad, emisiones y operación, su potencia real en este tipo de cortacésped será significativamente menor.

Contenido

Introducción	1
Seguridad	2
Operación general	2
Operación en pendientes	3
Niños	3
Mantenimiento	3
Pegatinas de seguridad e instrucciones	5
Montaje	6
1 Instalación del manillar	6
2 Instalación de la cuerda de arranque en la guía de la cuerda	6
3 Llenado del cárter de aceite	7
4 Ensamblaje de la bolsa de recogida	7
El producto	9
Operación	9
Cómo llenar el depósito de combustible	9
Comprobación del nivel de aceite del motor	10
Ajuste de la altura de corte	10
Arranque del motor	11
Uso de la transmisión autopropulsada	11
Cómo parar el motor	11
Reciclado de los recortes	11
Ensamblado de los recortes	11
Descarga lateral de los recortes	12
Consejos de operación	13
Mantenimiento	15
Calendario recomendado de mantenimiento	15
Preparación para el mantenimiento	15
Mantenimiento del limpiador de aire	16
Cómo cambiar el aceite del motor	16
Cómo cambiar la cuchilla	17
Ajuste de la transmisión autopropulsada	18
Limpieza de los bajos de la máquina	18
Almacenamiento	19
Preparación de la máquina para el almacenamiento	19
Cómo plegar el manillar	19
Después del almacenamiento	19

Seguridad

Este cortacésped cumple o supera los requisitos de seguridad de cuchillas CPSC para cortacéspedes giratorios dirigidos y las especificaciones B71.1 del Instituto Norteamericano de Estándares Nacionales en vigor en el momento de fabricación.

Lea y comprenda el contenido de este manual antes de arrancar el motor.

El símbolo de alerta de seguridad (Figura 2) se utiliza para advertirle sobre potenciales riesgos de lesiones personales. Observe siempre todos los mensajes de seguridad que siguen a este símbolo con el fin de evitar posibles lesiones o la muerte. El uso o mantenimiento incorrectos de este cortacésped pueden causar lesiones o la muerte. Para reducir esta posibilidad, cumpla las siguientes instrucciones de seguridad.

Las siguientes instrucciones han sido adaptadas de la norma ANSI/OPEI B71.1-2012.

Esta máquina de corte puede amputar manos y pies y lanzar objetos al aire. El no observar las siguientes instrucciones de seguridad puede dar lugar a lesiones corporales graves e incluso la muerte.

Operación general

- Lea, comprenda y siga todas las instrucciones del/de los manual(es) y las colocadas en la máquina antes de arrancar el motor.
- No coloque las manos o los pies cerca de la máquina o debajo de ésta. Manténgase alejado del conducto de descarga en todo momento.
- Sólo permita que utilicen esta máquina adultos responsables que estén familiarizados con las instrucciones.
- Despeje la zona de objetos tales como piedras, alambres, juguetes, etc., que podrían ser arrojados por la cuchilla. Permanezca detrás del manillar cuando el motor está en marcha.
- Asegúrese de que no haya otras personas en la zona antes de usar la máquina. Pare la máquina si alguien entra en la zona.
- No utilice la máquina estando descalzo o con sandalias. Lleve siempre calzado fuerte.
- No tire hacia atrás de la máquina a menos que sea absolutamente necesario. Antes de y durante cualquier desplazamiento hacia atrás de la máquina, mire siempre hacia abajo y hacia atrás.
- No dirija nunca el material descargado hacia nadie. Evite descargar material contra una pared u otra obstrucción. El material podría rebotar hacia usted o hacia otras personas. Pare la cuchilla al cruzar superficies de grava.
- No haga funcionar la máquina si no están colocados y funcionando el recogedor completo, el protector de descarga, el protector trasero u otros dispositivos de protección.

- No deje la máquina desatendida nunca cuando está funcionando.
- Pare el motor y espere hasta que la cuchilla se detenga completamente antes de limpiar la máquina, retirar el recogedor o desatascar el protector de descarga.
- Utilice la máquina solamente con luz natural o con una buena iluminación artificial.
- No utilice la máquina bajo la influencia de drogas o alcohol.
- No utilice nunca la máquina en hierba mojada. Asegúrese de pisar firmemente; camine; no corra nunca.
- Desengrane el sistema de transmisión, si la máquina está equipada con uno, antes de arrancar el motor.
- Si la máquina comienza a vibrar de manera anormal, pare el motor y compruebe la causa inmediatamente. La vibración suele ser un aviso de problemas.
- Siempre utilice protección ocular al usar la máquina.
- Consulte las instrucciones del fabricante respecto a la instalación y operación correctas de los accesorios. Utilice solamente accesorios homologados por el fabricante.

Operación en pendientes

Las pendientes son un factor de primera importancia relacionado con accidentes, especialmente resbalones y caídas, que pueden causar lesiones graves. En todas las pendientes y cuestas se necesita tener un cuidado especial. Si usted no se siente con confianza en una pendiente, no la siegue.

- Siegue de través las cuestas y pendientes, nunca hacia arriba o hacia abajo. Extreme las precauciones al cambiar de dirección en cuestas o pendientes.
- Esté alerta a agujeros, surcos, montículos, rocas u otros objetos ocultos. Los terrenos desiguales pueden causar caídas y resbalones. La hierba alta puede ocultar obstáculos.
- No siegue la hierba mojada o en pendientes excesivamente empinadas. Si no pisa firme, puede resbalar y caerse.
- No siegue cerca de terraplenes, fosas o taludes. Usted podría perder el equilibrio o resbalar.

Niños

Pueden ocurrir accidentes trágicos si el operador no está alerta a la presencia de niños. A menudo los niños se sienten atraídos por la máquina y la actividad de segar. **No suponga nunca** que los niños vayan a permanecer en el último lugar en que los vio.

- Mantenga a los niños alejados de la zona de siega y bajo la atenta mirada de un adulto responsable que no sea el operador.
- Esté alerta y pare el cortacésped si un niño entra en la zona.

- Nunca permita a los niños utilizar la máquina.
- Extreme la precaución al acercarse a esquinas ciegas, arbustos, árboles u otros objetos que puedan impedir que usted vea un niño.

Mantenimiento

Manejo seguro de la gasolina

Para evitar lesiones personales o daños materiales, extreme las precauciones al manejar la gasolina. La gasolina es extremadamente inflamable y los vapores son explosivos.

- Apague cualquier cigarrillo, cigarro, pipa u otra fuente de ignición.
- Utilice solamente un recipiente de gasolina homologado.
- No retire nunca el tapón de combustible ni añada combustible con el motor en marcha. Deje que el motor se enfríe antes de repostar combustible.
- No reposte la máquina nunca en un recinto cerrado.
- No guarde nunca la máquina o un recipiente de combustible cerca de una llama desnuda, chispa o llama piloto, por ejemplo en un calentador de agua u otro electrodoméstico.
- No llene nunca los recipientes dentro de un vehículo o sobre la plataforma de un camión o remolque con forro de plástico. Coloque los recipientes siempre en el suelo, lejos del vehículo, antes de llenarlos.
- Retire un equipo con motor de gasolina del camión o del remolque y repóstele en el suelo. Si esto no es posible, reposte el equipo desde un recipiente portátil, en vez de usar un surtidor o boquilla dosificadora de gasolina.
- Mantenga la boquilla en contacto con el borde del depósito de combustible o el orificio del recipiente en todo momento hasta que termine de repostar. No utilice dispositivos que mantengan abierta la boquilla.
- Si se derrama combustible sobre su ropa, cámbiese de ropa inmediatamente.
- Nunca llene demasiado el depósito de combustible. Vuelva a colocar el tapón de combustible y apriételo firmemente.

⚠ ADVERTENCIA

Los gases de escape del motor contienen monóxido de carbono, que es un veneno inodoro que puede matarle.

No haga funcionar el motor dentro de un edificio o en un lugar cerrado.

Mantenimiento general

- No ponga la máquina en marcha en un lugar cerrado.

- Mantenga apretados todos los tornillos y tuercas para asegurarse de que el equipo está en condiciones de funcionamiento seguras.
- No manipule nunca los dispositivos de seguridad. Compruebe regularmente que funcionan correctamente.
- Mantenga la máquina libre de acumulaciones de hierba, hojas y otros residuos. Limpie cualquier derrame de aceite o combustible y retire cualquier residuo que esté empapado en combustible. Deje que la máquina se enfríe antes de almacenarla.
- Si golpea un objeto extraño, pare e inspeccione la máquina. Repare la máquina, si es necesario, antes de arrancarla.
- Nunca haga ajustes o reparaciones con el motor en marcha. Desconecte el cable de la bujía y haga masa con él contra el motor para evitar un arranque accidental.
- Compruebe frecuentemente los componentes del recogedor y el protector de descarga y sustitúyalos por piezas recomendadas por el fabricante cuando sea necesario.
- Las cuchillas del cortacésped están muy afiladas. Envuelva la cuchilla o lleve guantes, y extreme las precauciones al manejar las cuchillas.
- No cambie los ajustes del regulador del motor ni haga funcionar el motor a una velocidad excesiva.
- Repare o sustituya las pegatinas de seguridad e instrucciones cuando sea necesario.
- La mejor manera de proteger su inversión y obtener un rendimiento óptimo de sus equipos Toro es contar siempre con piezas genuinas de Toro. Por lo que respecta a la fiabilidad, Toro suministra piezas de repuesto diseñadas con las mismas especificaciones de ingeniería que nuestros equipos. Para su tranquilidad, exija piezas genuinas Toro.

Pegatinas de seguridad e instrucciones

Importante: Hay pegatinas de seguridad e instrucciones colocadas cerca de zonas de potencial peligro. Sustituya cualquier pegatina dañada.



Marca del fabricante

1. Indica que la cuchilla ha sido identificada como pieza del fabricante original de la máquina.



94-8072



112-8867

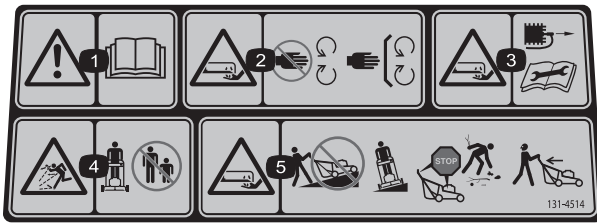
1. Bloquear
2. Desbloquear



131-0894

Ajuste de la tracción

1. Atención: lea el *Manual del operador*—1) Afloje el pomo girándolo en sentido antihorario; 2) Tire del/de los cable(s) para reducir la tracción, o empuje el/los cable(s) hacia el motor para aumentar la tracción; 3) Apriete el pomo girándolo en sentido horario.



131-4514

1. Advertencia – lea el *Manual del operador*.
2. Peligro de corte/desmembramiento de mano o pie por la cuchilla del cortacésped—no se acerque a las piezas en movimiento; mantenga colocados todos los protectores.
3. Peligro de corte/desmembramiento de mano o pie, cuchilla del cortacésped—desconecte el cable de la bujía y lea las instrucciones antes de realizar cualquier tarea de mantenimiento.
4. Peligro de objetos arrojados – mantenga a otras personas a una distancia prudencial de la máquina.
5. Peligro de corte/desmembramiento de mano o pie, cuchilla del cortacésped – no siegue las pendientes hacia arriba/abajo; siegue las pendientes de través; pare el motor antes de abandonar el puesto del operador, y mire hacia atrás mientras conduce en marcha atrás.

Montaje

Importante: Retire y deseche la hoja protectora de plástico que cubre el motor.

1

Instalación del manillar

No se necesitan piezas

Procedimiento

⚠ ADVERTENCIA

Si pliega o despliega el manillar de forma incorrecta, pueden dañarse los cables, creando unas condiciones de operación inseguras.

- No dañe los cables al plegar o desplegar el manillar.
- Si un cable está dañado, póngase en contacto con el Servicio Técnico Autorizado.

1. Retire los pomos del manillar de la carcasa de la máquina (Figura 3).

Importante: Asegúrese de que los cables quedan por fuera de los pomos del manillar al instalar el manillar.

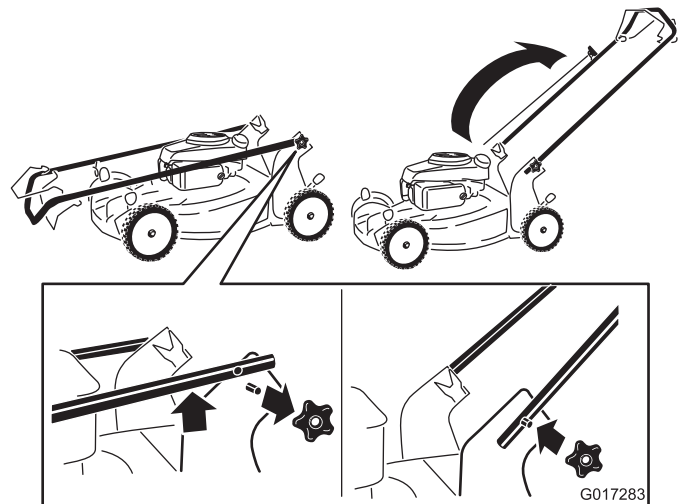


Figura 3

2. Mueva el manillar a la posición de operación.
3. Instale y apriete los pomos del manillar que retiró en el paso 1 (Figura 3).

2

Instalación de la cuerda de arranque en la guía de la cuerda

No se necesitan piezas

Procedimiento

Importante: Para arrancar el motor de forma segura y fácil cada vez que utilice la máquina, instale la cuerda de arranque en la guía de la cuerda.

Sujete la barra de control de las cuchillas contra el manillar superior y pase la cuerda de arranque a través de la guía del manillar (Figura 4).

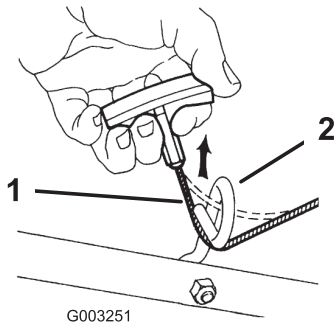


Figura 4

1. Cuerda de arranque 2. Guía de la cuerda

3

Llenado del cárter de aceite

No se necesitan piezas

Procedimiento

Su cortacésped se suministra sin aceite en el motor.

1. Retire la varilla (Figura 5).

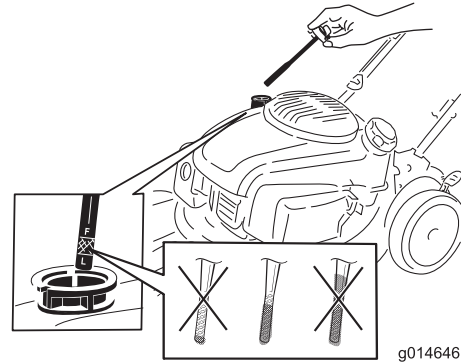


Figura 5

2. Vierta aceite **lentamente** por el tubo de llenado hasta que el nivel de aceite llegue a la marca de Lleno de la varilla (Figura 5). **No llene demasiado.** (Capacidad máxima: 0.65 L, tipo: aceite detergente 10W-30 o SAE 30, con clasificación de servicio API, SJ, o superior.)

Nota: Cada vez que compruebe el nivel de aceite, retire la varilla y límpiela, introdúzcala en el cuello de llenado de aceite (**sin enroscarla**), luego retírela de nuevo y compruebe el nivel (Figura 5).

Nota: Si llena demasiado el motor, vacíe parte del aceite; consulte [Cómo cambiar el aceite del motor \(página 16\)](#).

3. Instale la varilla firmemente.

Importante: *Cambie el aceite del motor después de las primeras 5 horas de operación, y después cada año. Consulte [Cómo cambiar el aceite del motor \(página 16\)](#).*

4

Ensamblaje de la bolsa de recogida

No se necesitan piezas

Procedimiento

1. Coloque la bolsa de recogida sobre el bastidor, según se muestra en la [Figura 6](#).

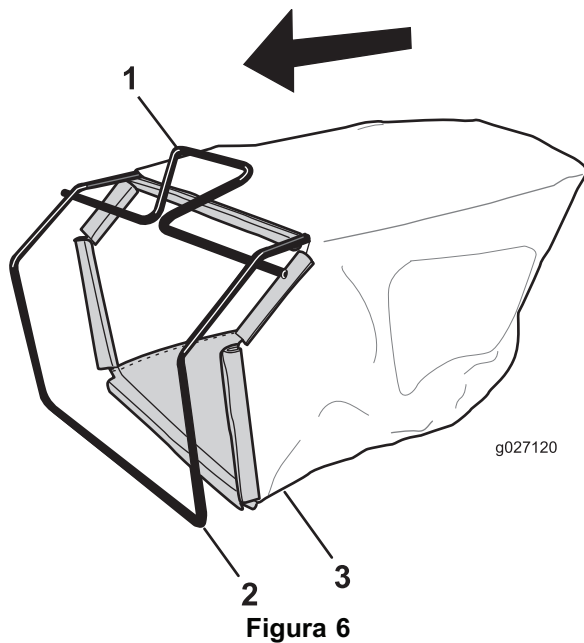


Figura 6

1. Manillar
2. Bastidor
3. Bolsa de recogida

Nota: No coloque la bolsa sobre el manillar ([Figura 6](#)).

2. Enganche el canal inferior de la bolsa en la parte inferior del bastidor ([Figura 7](#)).

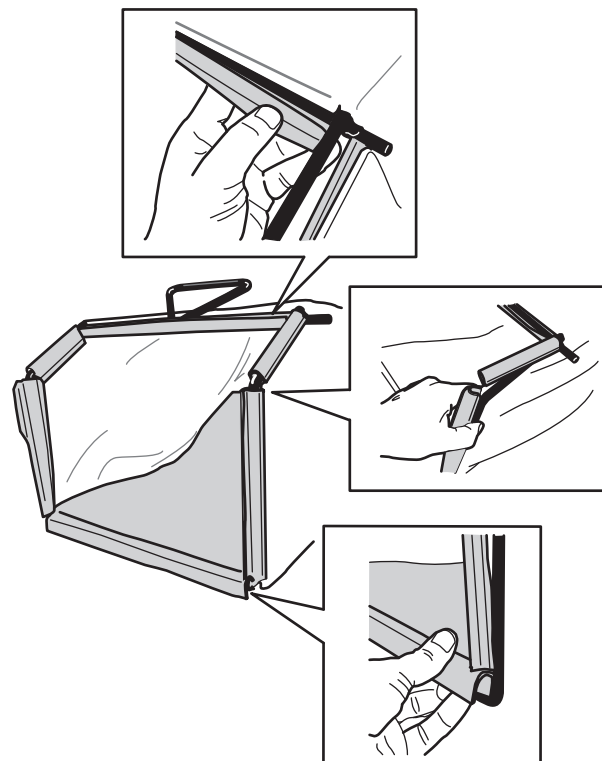


Figura 7

3. Enganche los canales superiores y laterales de la bolsa en la parte superior y en los laterales del bastidor, respectivamente ([Figura 7](#)).

El producto

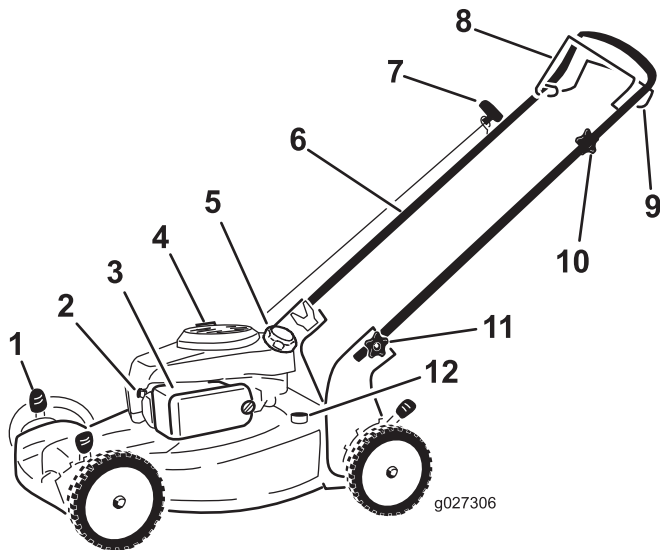


Figura 8

- | | |
|--|--|
| 1. Palanca de altura de corte (4) | 7. Arrancador |
| 2. Bujía | 8. Barra de control de las cuchillas |
| 3. Filtro de aire (no ilustrado) | 9. Barra de control de la transmisión autopropulsada |
| 4. Varilla/orificio de llenado de aceite | 10. Pomo de ajuste de la transmisión autopropulsada |
| 5. Tapón del depósito de combustible | 11. Pomo del manillar (2) |
| 6. Manillar | 12. Orificio de lavado |

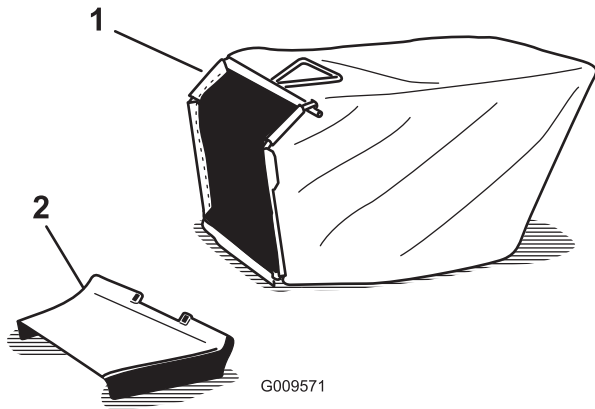


Figura 9

- | | |
|----------------------|---------------------------------|
| 1. Bolsa de recogida | 2. Conducto de descarga lateral |
|----------------------|---------------------------------|

Operación

Cómo llenar el depósito de combustible

⚠ PELIGRO

La gasolina es altamente inflamable y explosiva. Un incendio o una explosión provocado(a) por la gasolina puede causarle quemaduras a usted y a otras personas.

- Para evitar que una carga estática incendie la gasolina, coloque el recipiente y/o la máquina directamente sobre el suelo antes de repostar, no en un vehículo o sobre otro objeto.
- Llene el depósito en el exterior cuando el motor esté frío. Limpie cualquier derrame.
- No maneje gasolina si está fumando, ni cerca de una llama desnuda o chispas.
- Almacene la gasolina en un recipiente homologado y manténgala fuera del alcance de los niños.
- Para obtener los mejores resultados, utilice solamente gasolina fresca (comprada hace menos de 30 días), sin plomo, de 87 o más octanos (método de cálculo $(R+M)/2$).
- Son aceptables los combustibles oxigenados con hasta el 10% de etanol o el 15% de MTBE por volumen.
- **Etanol:** Es aceptable el uso de gasolina con hasta el 10% de etanol (gasohol) o el 15% de MTBE (éter metil tert-butílico) por volumen. El etanol y el MTBE no son lo mismo. No está autorizado el uso de gasolina con el 15% de etanol (E15) por volumen. No utilice nunca gasolina que contenga más del 10% de etanol por volumen, como por ejemplo la E15 (contiene el 15% de etanol), la E20 (contiene el 20% de etanol) o la E85 (contiene hasta el 85% de etanol). El uso de gasolina no autorizada puede causar problemas de rendimiento o daños en el motor que pueden no estar cubiertos bajo la garantía.
- No utilice gasolina que contenga metanol.
- No guarde combustible en el depósito de combustible o en recipientes de combustible durante el invierno a menos que haya añadido un estabilizador
- No añada aceite a la gasolina.

Llene el depósito con gasolina fresca normal sin plomo, de una marca reconocida (Figura 10).

Importante: Para reducir los problemas de arranque, añada estabilizador de combustible al combustible durante toda la temporada, mezclándolo con gasolina comprado hace menos de treinta días.

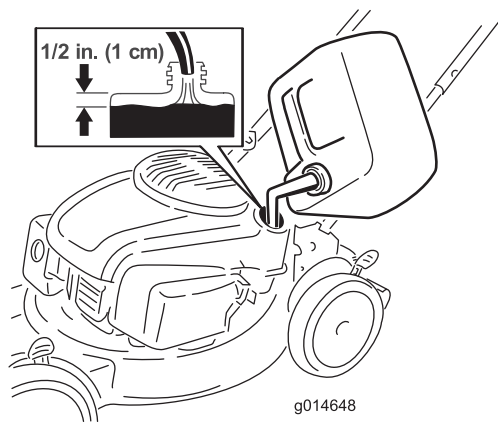


Figura 10

Comprobación del nivel de aceite del motor

Intervalo de mantenimiento: Cada vez que se utilice o diariamente

1. Retire la varilla, límpiela con un trapo, vuelva a colocarla en el tubo de llenado, **pero no la enrosque** (Figura 11).

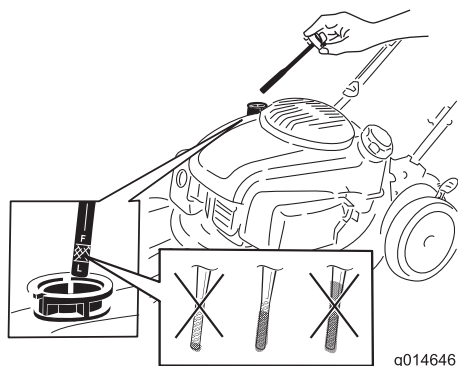


Figura 11

2. Retire la varilla y compruebe el nivel de aceite (Figura 11). Si el nivel de aceite está por debajo de la marca Añadir de la varilla, vierta aceite **lentamente** por el tubo de llenado hasta que el nivel llegue a la marca de Lleno de la varilla. **No llene demasiado.** (Capacidad máxima: 0.65 L, tipo: aceite detergente 10W-30 o SAE 30, con clasificación de servicio API, SJ, o superior.)

Nota: Si usted llena demasiado el motor, vacíe parte del aceite siguiendo las instrucciones del paso [Cómo cambiar el aceite del motor](#) (página 16).

3. Vuelva a colocar la varilla firmemente.

Ajuste de la altura de corte

⚠ ADVERTENCIA

Al ajustar la altura de corte, usted podría tocar la cuchilla en movimiento, lo que podría causarle graves lesiones.

- Pare el motor y espere a que se detengan todas las piezas en movimiento.
- No ponga los dedos debajo de la carcasa al ajustar la altura de corte.

⚠ CUIDADO

Si el motor ha estado en marcha, el silenciador estará muy caliente y puede causarle quemaduras graves. Manténgase alejado del silenciador si éste está caliente.

Ajuste la altura de corte según desee. Ajuste las ruedas delanteras a la misma altura que las traseras.

Nota: Para elevar la máquina, mueva todas las palancas de altura de corte hacia atrás. Para bajar la máquina, mueva todas las palancas de altura de corte hacia adelante (Figura 12).

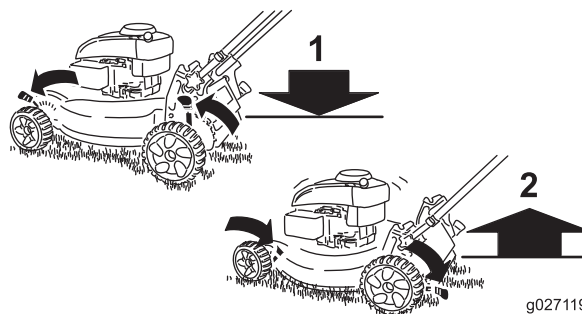


Figura 12

1. Bajar la máquina
2. Elevar la máquina

Nota: Los ajustes de altura de corte son: 25 mm (1 pulg.), 35 mm (1-3/8 pulg.), 44 mm (1-3/4 pulg.), 54 mm (2-1/8 pulg.), 64 mm (2-1/2 pulg.), 73 mm (2-7/8 pulg.), 83 mm (3-1/4 pulg.), 92 mm (3-5/8 pulg.) y 102 mm (4 pulg.).

Arranque del motor

1. Sujete la barra de control de las cuchillas contra el manillar (Figura 13).

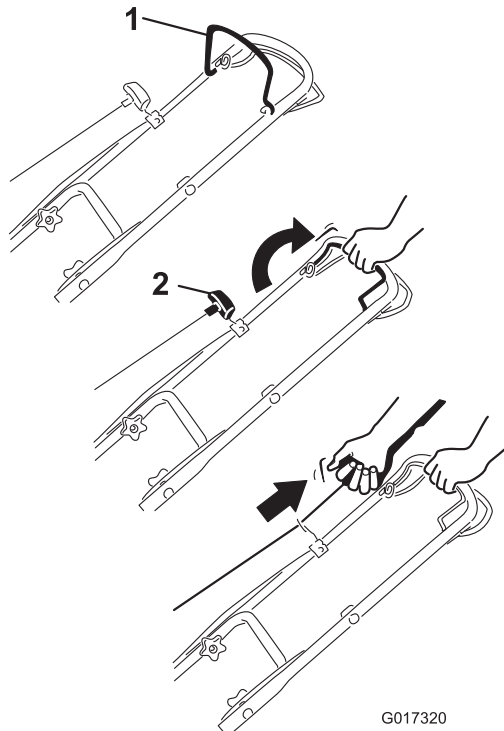


Figura 13

1. Barra de control de la cuchilla
2. Arrancador

2. Tire suavemente del arrancador hasta que note resistencia, luego tire con fuerza. Deje que la cuerda vuelva lentamente al manillar (Figura 13).

Nota: Si la máquina no arranca después de varios intentos, póngase en contacto con el Servicio Técnico Autorizado.

Uso de la transmisión autopropulsada

Para operar la transmisión autopropulsada, apriete la barra de control de transmisión autopropulsada (Figura 14) hacia el manillar y manténgala allí.

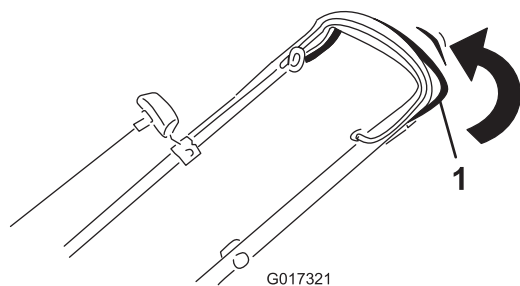


Figura 14

1. Barra de control de la transmisión autopropulsada

Para desengranar la transmisión autopropulsada, suelte la barra de control de transmisión autopropulsada.

Nota: La velocidad máxima sobre el terreno con transmisión autopropulsada es fija. Para reducir la velocidad sobre el terreno, aumente el espacio entre la barra de la transmisión autopropulsada y el manillar.

Cómo parar el motor

Para parar el motor, suelte la barra de control de la cuchilla.

Importante: Cuando usted suelte la barra de control de la cuchilla, el motor y la cuchilla deberán detenerse en 3 segundos o menos. Si no se paran correctamente, deje de usar la máquina inmediatamente y póngase en contacto con un Servicio Técnico Autorizado.

Reciclado de los recortes

Su máquina viene preparada de fábrica para reciclar los recortes de hierba y hojas y devolverlos al césped.

Si la bolsa de recogida está instalada en la máquina, retírela; consulte [Cómo retirar la bolsa de recogida \(página 12\)](#) antes de reciclar los recortes. Si el conducto de descarga está instalado en la máquina, retírelo; consulte [Cómo retirar el conducto de descarga lateral \(página 13\)](#) antes de reciclar los recortes.

Ensamado de los recortes

Utilice la bolsa de recogida si desea recoger los recortes de hierba y hojas del césped.

Nota: Asegúrese de que la bolsa está bien asentada en la posición correcta.

⚠ ADVERTENCIA

Si la bolsa de recogida está desgastada, pueden arrojarse pequeñas piedras y otros residuos similares hacia usted o hacia otras personas, provocando lesiones personales graves o la muerte.

Compruebe frecuentemente la bolsa de recogida. Si está dañada, instale una bolsa de recambio Toro nueva.

Si el conducto de descarga lateral está instalado en el cortacésped, retírelo (consulte [Cómo retirar el conducto de descarga lateral \(página 13\)](#)) antes de ensacar los recortes.

⚠ ADVERTENCIA

La cuchilla está muy afilada; cualquier contacto con la cuchilla puede causar lesiones personales graves.

Pare el motor y espere a que se detengan todas las piezas en movimiento antes de abandonar el puesto del operador.

Instalación de la bolsa de recogida

Nota: Asegúrese de que la bolsa está bien asentada en la posición correcta.

1. Levante y sujete el deflector trasero (Figura 15).

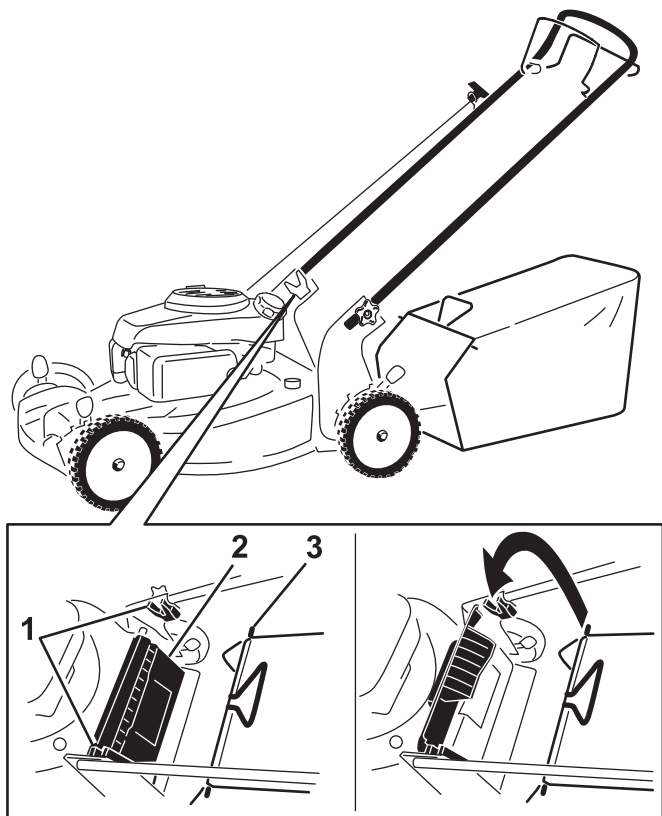


Figura 15

1. Muecas
2. Deflector trasero
3. Pasador de la bolsa de recogida (2)

2. Instale la bolsa de recogida, asegurándose de que los pasadores de la bolsa descansan en las muescas del manillar (Figura 15).
3. Baje el deflector trasero.

Cómo retirar la bolsa de recogida

Para retirar la bolsa, siga los mismos pasos en sentido inverso.

Descarga lateral de los recortes

Utilice la descarga lateral para cortar hierba muy alta.

Si la bolsa está instalada en la máquina, retírela antes de proceder a la descarga lateral de los recortes.

⚠ ADVERTENCIA

La cuchilla está muy afilada; cualquier contacto con la cuchilla puede causar lesiones personales graves.

Pare el motor y espere a que se detengan todas las piezas en movimiento antes de abandonar el puesto del operador.

Instalación del conducto de descarga lateral

Levante el deflector lateral e instale el conducto de descarga lateral (Figura 16).



Figura 16

Cómo retirar el conducto de descarga lateral

Para retirar el conducto de descarga lateral, levante el deflector lateral, retire el conducto de descarga lateral y baje el deflector del conducto de descarga lateral.

Consejos de operación

Consejos generales de siega

- Despeje la zona de palos, piedras, alambres, ramas y otros residuos que podrían ser golpeados por la cuchilla.
- Evite golpear objetos sólidos con la cuchilla. No siegue nunca por encima de ningún objeto.
- Si la máquina golpea un objeto o empieza a vibrar, pare inmediatamente el motor, desconecte el cable de la bujía e inspeccione la máquina en busca de daños.

- Para obtener el mejor rendimiento, instale una cuchilla nueva antes de que empiece la temporada de siega.
- Sustituya la cuchilla cuando sea preciso por una cuchilla de repuesto Toro.

Cómo cortar la hierba

- Corte solamente un tercio de la hoja de hierba cada vez. No corte con un ajuste inferior a 54 mm (2-1/8 pulg.) a menos que la hierba sea escasa, o a finales del otoño cuando el ritmo de crecimiento de la hierba empieza a decaer. Consulte [Ajuste de la altura de corte](#) (página 10).
- Cuando corte hierba de más de 15 cm (6 pulgadas) de alto, siegue primero usando la altura de corte más alta y camine despacio, luego siegue de nuevo a una altura menor para obtener el mejor aspecto del césped. Si la hierba es demasiado larga, puede atascar la máquina y hacer que se cale el motor.
- Siegue solamente hierba u hojas secas. La hierba mojada y las hojas mojadas tienden a pegarse al suelo, y pueden atascar la máquina o hacer que se cale el motor.

⚠ ADVERTENCIA

La hierba mojada o las hojas mojadas pueden causarle graves lesiones si usted resbala y toca la cuchilla. Siegue solamente en condiciones secas.

- Esté atento al posible riesgo de incendio en condiciones muy secas, siga todas las advertencias locales para casos de incendio y mantenga la máquina libre de hierba seca y residuos de hojas.
- Alterne la dirección de corte. Esto ayuda a dispersar los recortes en todo el césped, dando una fertilización más homogénea.
- Si el aspecto final del césped no es satisfactorio, pruebe con una o más de las técnicas siguientes:
 - Cambiar la cuchilla o mandarla a afilar.
 - Caminar más despacio mientras siega.
 - Elevar la altura de corte de la máquina.
 - Cortar el césped con más frecuencia.
 - Solapar los pasillos de corte en lugar de cortar un pasillo completo en cada pasada.
 - Ajuste la altura de corte una muesca menos en las ruedas delanteras que en las traseras. Por ejemplo, ajuste las ruedas delanteras a 54 mm (2-1/8 pulgadas) y las traseras a 64 mm (2-1/2 pulgadas).

Cómo cortar hojas

- Después de segar el césped, asegúrese de que la mitad del césped se ve a través de la cobertura de hojas cortadas. Es posible que tenga que hacer más de una pasada por encima de las hojas.

- Si hay más de 13 cm (5 pulg.) de hojas en el césped, ajuste la altura de corte de las ruedas delanteras una muesca o dos más alta que la de las ruedas traseras.
- Siegue más despacio si la máquina no corta las hojas suficientemente finas.

Mantenimiento

Nota: Los lados derecho e izquierdo de la máquina se determinan desde la posición normal del operador.

Calendario recomendado de mantenimiento

Intervalo de mantenimiento y servicio	Procedimiento de mantenimiento
Después de las primeras 5 horas	<ul style="list-style-type: none"> • Cambie el aceite del motor.
Cada vez que se utilice o diariamente	<ul style="list-style-type: none"> • Compruebe el nivel de aceite del motor. • Asegúrese de que el motor se para en el plazo de 3 segundos después de soltar la barra de control de la cuchilla. • Limpie los recortes de hierba y la suciedad de debajo de la máquina.
Cada 25 horas	<ul style="list-style-type: none"> • Compruebe que el limpiador de aire no tenga piezas sucias, sueltas o dañadas, y límpielas o cámbielas si es necesario.
Cada 50 horas	<ul style="list-style-type: none"> • Cambie el aceite del motor.
Cada 100 horas	<ul style="list-style-type: none"> • Cambie el elemento del limpiador de aire (con mayor frecuencia si utiliza la máquina en condiciones de mucho polvo o arena).
Antes del almacenamiento	<ul style="list-style-type: none"> • Vacíe el depósito de combustible antes de efectuar reparaciones, de acuerdo con las instrucciones, y antes del almacenamiento anual.
Cada año	<ul style="list-style-type: none"> • Cambie la cuchilla o haga que la afilen; debe cambiarla o afilarla más a menudo si se desafilan rápidamente. • Limpie el sistema de limpieza de aire; límpielo con más frecuencia en condiciones de mucho polvo. Consulte el manual del propietario del motor. • Consulte en el manual del propietario del motor cualquier procedimiento adicional de mantenimiento anual.

Importante: Consulte los procedimientos adicionales de mantenimiento del manual del propietario del motor.

Nota: Puede adquirir piezas de repuesto en un Servicio Técnico Autorizado (vaya a www.toro.com para encontrar el distribuidor más cercano) o en www.shoptoro.com.

Preparación para el mantenimiento

1. Pare el motor y espere a que se detengan todas las piezas en movimiento.
2. Desconecte el cable de la bujía (Figura 17) antes de realizar cualquier procedimiento de mantenimiento.

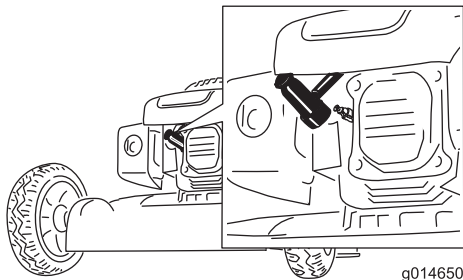


Figura 17

1. Cable de la bujía

3. Después de realizar los procedimientos de mantenimiento, conecte el cable de la bujía a la bujía.

Importante: Antes de inclinar la máquina para cambiar el aceite o sustituir la cuchilla, deje que se vacíe el depósito de combustible con el uso normal. Si es imprescindible inclinar la máquina antes de que se acabe el combustible, utilice una bomba manual para retirar el combustible. Siempre coloque la máquina de lado (con la varilla de aceite hacia abajo).

⚠ ADVERTENCIA

Al volcar la máquina, puede haber fugas de combustible. La gasolina es inflamable y explosiva, y puede causar lesiones personales.

Deje funcionar el motor hasta que no quede combustible, o retire la gasolina con una bomba de mano; nunca utilice un sifón.

Mantenimiento del limpiador de aire

Intervalo de mantenimiento: Cada 25 horas/Cada año (lo que ocurra primero)—Compruebe que el limpiador de aire no tenga piezas sucias, sueltas o dañadas, y límpielas o cámbielas si es necesario.

Cada 100 horas/Cada año (lo que ocurra primero)—Cambie el elemento del limpiador de aire (con mayor frecuencia si utiliza la máquina en condiciones de mucho polvo o arena).

1. Lleve a cabo los procedimientos de pre-mantenimiento; consulte [Preparación para el mantenimiento](#) (página 15).
2. Presione hacia abajo los cierres de la parte superior de la tapa del limpiador de aire (Figura 18).

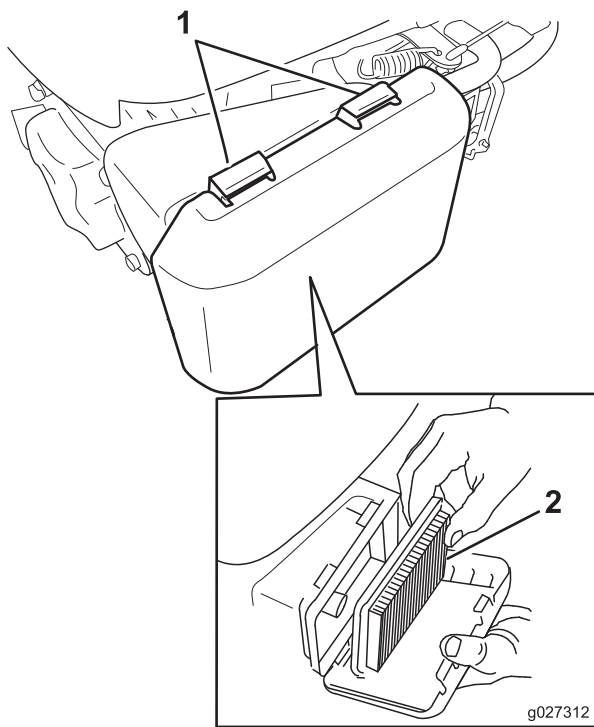


Figura 18

1. Cierres
2. Elemento del limpiador de aire

3. Abra la tapa.
4. Cambie el elemento del limpiador de aire.
5. Coloque la tapa.

Cómo cambiar el aceite del motor

Intervalo de mantenimiento: Después de las primeras 5 horas

Cada 50 horas/Cada año (lo que ocurra primero)

Haga funcionar el motor durante unos minutos antes de cambiar el aceite para calentar el aceite. El aceite caliente fluye mejor y transporta más contaminantes.

1. Lleve a cabo los procedimientos de pre-mantenimiento; consulte [Preparación para el mantenimiento](#) (página 15).
2. Ponga el cortacésped de lado, con el filtro de aire hacia arriba, y retire la varilla para drenar el aceite usado a través del tubo de llenado de aceite (Figura 19).

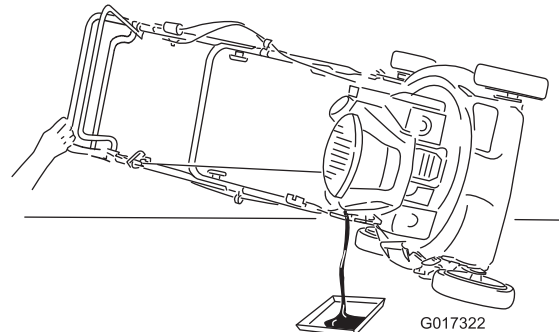


Figura 19

3. Después de drenar el aceite usado, ponga el cortacésped en su posición normal de uso.
4. Vierta aceite **lentamente** por el tubo de llenado hasta que el nivel de aceite llegue a la marca de Lleno de la varilla (Figura 20). **No llene demasiado.** (Capacidad máxima: 0.65 L, tipo: aceite detergente 10W-30 o SAE 30, con clasificación de servicio API, SJ, o superior.)

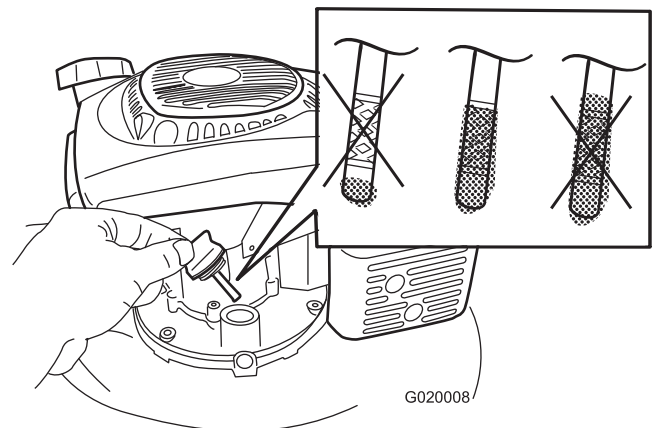


Figura 20

Nota: Cada vez que compruebe el nivel de aceite, retire la varilla y límpiela, introdúzcala en el cuello de

llenado de aceite (**sin enroscarla**), y luego retírela de nuevo y compruebe el nivel.

Nota: Si llena demasiado el motor, vacíe parte del aceite del cárter del motor.

5. Vuelva a colocar la varilla firmemente.
6. Elimine correctamente el aceite usado en un centro de reciclaje homologado.

Cómo cambiar la cuchilla

Intervalo de mantenimiento: Cada año

Importante: *Usted necesitará una llave dinamométrica para instalar la cuchilla correctamente. Si no dispone de una llave dinamométrica o prefiere no realizar este procedimiento, póngase en contacto con el Servicio Técnico Autorizado.*

Examine la cuchilla cada vez que se acabe la gasolina. Si la cuchilla está dañada o agrietada, sustitúyala inmediatamente. Si el filo de la cuchilla está romo o mellado, mande a afilar la cuchilla o cámbiela.

⚠ ADVERTENCIA

La cuchilla está muy afilada; cualquier contacto con la cuchilla puede causar lesiones personales graves.

Lleve guantes al realizar el mantenimiento de la cuchilla.

1. Consulte [Preparación para el mantenimiento](#) (página 15).
2. Coloque la máquina de lado con el filtro de aire hacia arriba.
3. Utilice un bloque de madera para inmovilizar la cuchilla ([Figura 21](#)).

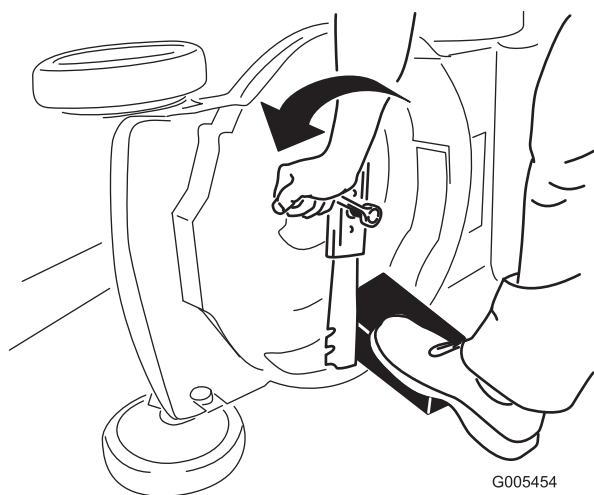


Figura 21

5. Instale la cuchilla nueva y todos los herrajes de montaje ([Figura 22](#)).

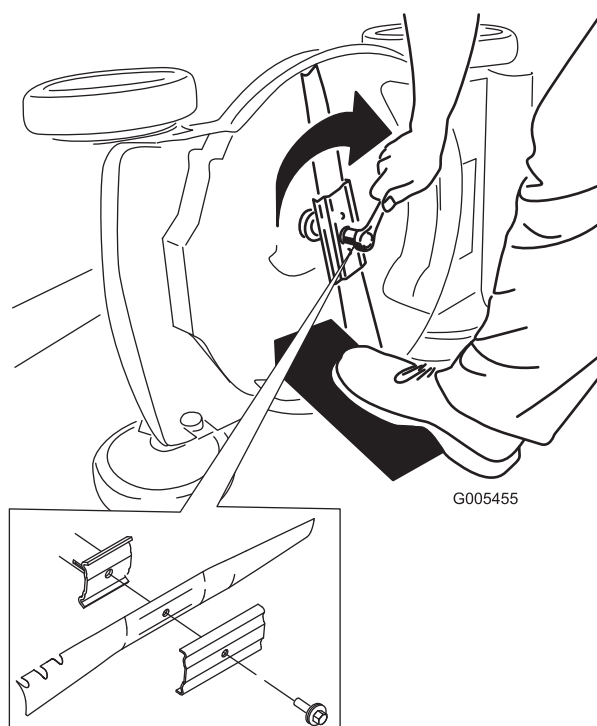


Figura 22

Importante: Coloque la cuchilla con los extremos curvos orientados hacia la carcasa de la máquina.

6. Utilice una llave dinamométrica para apretar el perno de la cuchilla a 82 N·m (60 pies-libra).

Importante: Un perno apretado a 82 Nm (60 pies-libra) queda muy firme. Mientras sujeta la cuchilla con un bloque de madera, aplique toda su fuerza a la llave y apriete el perno firmemente. Será muy difícil apretar este perno demasiado.

4. Retire la cuchilla, conservando todos los herrajes de montaje ([Figura 21](#)).

Ajuste de la transmisión autopropulsada

Cada vez que instale un nuevo de la transmisión autopropulsada o si la transmisión autopropulsada está mal ajustada, ajuste el cable de la transmisión autopropulsada.

1. Gire el pomo de ajuste en sentido antihorario para aflojar el cable (Figura 23).

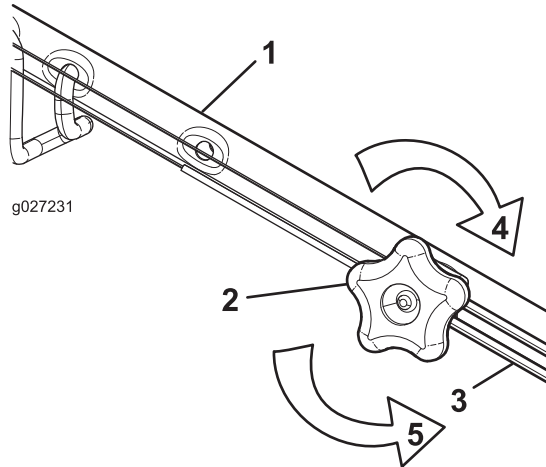


Figura 23

- | | |
|---|--|
| 1. Manillar (lado izquierdo) | 4. Gire el pomo en sentido horario para apretar el ajuste. |
| 2. Pomo de ajuste | 5. Gire el pomo en sentido antihorario para aflojar el ajuste. |
| 3. Cable de la transmisión autopropulsada | |

2. Ajuste la tensión del cable (Figura 23) tirando del mismo hacia atrás o empujándolo hacia adelante, y sujételo en esa posición.

Nota: Empuje el cable hacia el motor para aumentar la tracción; tire del cable para reducir la tracción.

3. Gire el pomo en sentido horario para apretar el ajuste del cable.

Nota: Apriete el pomo firmemente a mano.

Limpieza de los bajos de la máquina

Intervalo de mantenimiento: Cada vez que se utilice o diariamente

⚠ ADVERTENCIA

Puede soltarse material de debajo de la máquina.

- Lleve protección ocular.
- Permanezca en la posición de operación (detrás del manillar) cuando el motor está en marcha.
- No permita la presencia de otras personas en la zona.

Para obtener resultados óptimos, limpie la máquina inmediatamente después de terminar la siega.

1. Baje la máquina a la altura de corte más baja. Consulte [Ajuste de la altura de corte](#) (página 10).
2. Lleve la máquina a una superficie plana pavimentada.
3. Lave la zona que está debajo del deflector trasero, por donde pasan los recortes en su camino desde la parte inferior de la máquina hasta la bolsa de recogida.

Nota: Lave la zona con ensacado a demanda en la posición totalmente hacia adelante y totalmente hacia atrás.

4. Conecte una manguera de jardín que esté conectada a un grifo al orificio de lavado de la máquina (Figura 24).

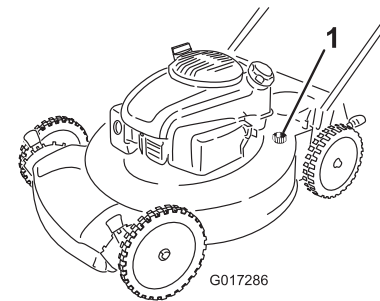


Figura 24

1. Orificio de lavado

5. Abra el grifo de la manguera.
6. Arranque el motor y hágalo funcionar hasta que no salgan más recortes de debajo de la máquina.
7. Pare el motor.
8. Cierre el grifo y desconecte la manguera de la máquina.
9. Arranque el motor y hágalo funcionar durante unos minutos para que se seque la parte inferior de la máquina y evitar que se oxide.
10. Espere a que se enfríe el motor antes de guardar la máquina en un lugar cerrado.

Almacenamiento

Almacene la máquina en un lugar fresco, limpio y seco.

Preparación de la máquina para el almacenamiento

⚠ ADVERTENCIA

Los vapores de la gasolina pueden explosionar.

- No guarde la gasolina durante más de 30 días.
- No guarde la máquina en un lugar cerrado cerca de una llama desnuda.
- Deje que se enfríe el motor antes de guardarlo.

1. En el último repostaje del año, añada estabilizador al combustible siguiendo las instrucciones del fabricante del motor.
2. Deseche adecuadamente cualquier combustible sobrante. Recíclelo según la normativa local, o utilícelo en su automóvil.

Nota: La presencia de combustible viejo en el depósito de combustible es la principal causa de dificultades en el arranque. No guarde combustible sin estabilizador durante más de 30 días, y no almacene combustible estabilizado durante más de 90 días.

3. Haga funcionar la máquina hasta que el motor se pare por haberse quedado sin gasolina.
4. Arranque el motor de nuevo.
5. Deje que funcione el motor hasta que se pare. Cuando ya no se puede arrancar el motor, está suficientemente seco.
6. Desconecte el cable de la bujía.
7. Retire la bujía, añada 30 ml (1 onza) de aceite a través del orificio de la bujía, y tire de la cuerda de arranque lentamente varias veces para que se distribuya el aceite por el cilindro, con el fin de evitar la corrosión durante el periodo de inactividad.
8. Instale la bujía sin apretarla.
9. Apriete todos los pernos, tuercas y tornillos.

Cómo plegar el manillar

⚠ ADVERTENCIA

Si pliega o despliega el manillar de forma incorrecta, pueden dañarse los cables, creando unas condiciones de operación inseguras.

- No dañe los cables al plegar o desplegar el manillar.
- Si un cable está dañado, póngase en contacto con el Servicio Técnico Autorizado.

1. Afloje los pomos del manillar hasta que pueda mover libremente la sección superior del mismo.
2. Pliegue hacia adelante la sección superior del manillar (ver Figura 25).

Importante: Asegúrese de que los cables quedan por fuera de los pomos del manillar al plegar la sección superior.

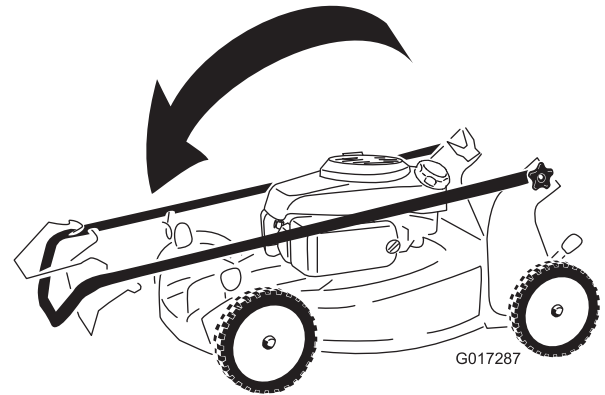


Figura 25

3. Para desplegar el manillar, siga los mismos pasos en sentido inverso.

Después del almacenamiento

1. Retire la bujía y haga girar el motor rápidamente usando el arrancador de retroceso para eliminar el exceso de aceite del cilindro.
2. Instale la bujía y apriétela con una llave dinamométrica a 20 N-m (15 pies-libra).
3. Conecte el cable de la bujía a la bujía.



La Garantía Toro de Cobertura Total

Una garantía completa de 2 años (Garantía limitada de 45 días para el uso comercial)

Recycler de 56 cm (22 pulgadas)®

Picador/ensacador de 51 cm (20 pulgadas)

La Garantía de Arranque GTS de Toro

Una garantía completa de 3 años (no aplicable al uso comercial)

Cortacéspedes dirigidos

Condiciones y productos cubiertos

The Toro Company y su afiliado, Toro Warranty Company, bajo un acuerdo entre sí, prometen conjuntamente reparar el producto Toro nombrado a continuación que haya sido usado con propósitos residenciales*, si tiene defectos de materiales o mano de obra o si deja de funcionar debido a la falla de un componente, o si el motor Toro GTS (Guaranteed to Start – Garantía de Arranque) no arranca en el primer o segundo intento, siempre que se haya realizado todo el mantenimiento rutinario indicado en el *Manual del operador*.

Esta garantía cubre el coste de piezas y mano de obra, pero usted debe pagar los costes de transporte.

Los siguientes plazos son aplicables desde la fecha de la compra:

Productos	Periodo de garantía
Recycler de 56 cm (22 pulgadas) y Picador/Ensacador de 51 cm (20 pulgadas) y Accesorios	Garantía completa de 2 años
GTS (Guaranteed to Start)	Garantía completa de 3 años
Motor	Garantía completa de 3 años
Batería	Garantía completa de 1 año

Garantía limitada para el uso comercial*

Los productos de gasolina Toro utilizados con propósitos comerciales, institucionales o de alquiler están garantizados durante 45 días contra defectos en materiales o mano de obra. Los componentes que fallan debido al uso y desgaste normales no están cubiertos por esta garantía.

La Garantía de arranque Toro GTS no es aplicable cuando el producto es usado con fines comerciales*.

Instrucciones para obtener asistencia bajo la garantía

Si usted cree que su Producto Toro tiene un defecto de materiales o mano de obra, o si un adulto de capacidad normal ya no puede arrancar el motor de su producto con uno o dos intentos, siga este procedimiento:

1. Póngase en contacto con cualquier Distribuidor Autorizado Toro para concertar el mantenimiento en sus instalaciones. Para localizar un distribuidor cerca de usted, consulte las *Páginas Amarillas* telefónicas (mire en "cortacéspedes") o visite nuestro sitio web en www.Toro.com. También puede llamar a los números que aparecen en el apartado 3 para usar el sistema de localización de Distribuidores Toro las 24 horas al día.
2. Lleve el producto y su prueba de compra (recibo o factura de venta) al Distribuidor. El distribuidor diagnosticará el problema y determinará si está cubierto por la garantía.
3. Si por alguna razón usted no está satisfecho con el análisis del Distribuidor o con la asistencia recibida, póngase en contacto con nosotros en la dirección siguiente:

Customer Care Department, RLC Division
 The Toro Company
 8111 Lyndale Avenue South
 Bloomington, MN 55420-1196
 Teléfono gratuito: 866-214-9807 (clientes de EE. UU.)
 Teléfono gratuito: 866-214-9808 (clientes de Canadá)

Responsabilidades del Propietario

Usted debe mantener su Producto Toro siguiendo los procedimientos de mantenimiento descritos en el *Manual del operador*. Dicho mantenimiento rutinario, sea realizado por un distribuidor o por usted mismo, es por cuenta de usted.

Elementos y condiciones no cubiertos

No hay otra garantía expresa salvo la cobertura especial de sistemas de emisión y la garantía sobre motores en algunos productos. Esta garantía expresa no cubre:

Países fuera de Estados Unidos o Canadá

Los clientes que compraron productos Toro exportados de los Estados Unidos o Canadá deben ponerse en contacto con su Distribuidor (Concesionario) Toro para obtener pólizas de garantía para su país, provincia o estado. Si por cualquier razón usted no está satisfecho con el servicio ofrecido por su distribuidor, o si tiene dificultad en obtener información sobre la garantía, póngase en contacto con el importador Toro. Si fallan todos los demás recursos, puede ponerse en contacto con nosotros en Toro Warranty Company.

Ley de Consumo de Australia: Los clientes australianos encontrarán información sobre la Ley de Consumo de Australia dentro de la caja o a través de su distribuidor Toro local.

* "Propósito residencial" significa el uso del producto en la misma parcela en que se encuentra su vivienda. El uso en más de un lugar, o el uso institucional o alquiler, se considera como uso comercial y sería aplicable la garantía de uso comercial.

- El coste de mantenimiento regular, servicio o piezas, como por ejemplo filtros, combustible, lubricantes, cambios de aceite, bujías, filtros de aire, afilado de cuchillas o cuchillas desgastadas, ajustes de cables/acoplamiento o ajustes de frenos y embragues
- Componentes que fallan debido al desgaste normal
- Cualquier producto o pieza que haya sufrido modificaciones, abusos o negligencia y que necesite ser sustituido o reparado debido a accidente o falta de mantenimiento adecuado
- Costes de recogida y entrega
- Reparaciones o intentos de reparación por parte de personas no pertenecientes a un Servicio Técnico Toro Autorizado
- Reparaciones necesarias por no haber seguido el procedimiento recomendado respecto al combustible (consulte el *Manual del operador* para obtener más detalles)
 - La eliminación de contaminantes del sistema de combustible no está cubierta
 - El uso de combustible viejo (de más de un mes de edad) o combustible que contenga más del 10% de etanol o el 15% de MTBE
 - El no drenar el sistema de combustible antes de un periodo de inactividad de más de un mes
- Reparaciones o ajustes para corregir problemas de arranque debidos a lo siguiente:
 - No se han seguido los procedimientos correctos de mantenimiento o el procedimiento recomendado respecto al combustible
 - Una cuchilla del cortacésped rotativo ha golpeado un objeto
- Condiciones de operación especiales que pueden requerir más de dos intentos de arranque:
 - Primer arranque después de un período extendido de inactividad superior a tres meses o de almacenamiento estacional
 - Arranque a baja temperatura, por ejemplo al inicio de la primavera o al final del otoño
 - Procedimientos de arranque incorrectos - si tiene dificultad al arrancar su unidad, revise el *Manual del operador* para asegurarse de que está siguiendo los procedimientos de arranque correctos. Esto puede ahorrarle una visita innecesaria al Servicio Técnico Autorizado Toro.

Condiciones generales

Todas las reparaciones cubiertas por estas garantías deben ser realizadas por un Servicio Técnico Toro Autorizado usando piezas de repuesto aprobados por Toro. La reparación por un Distribuidor Autorizado Toro es su único remedio bajo esta garantía.

Ni The Toro Company ni Toro Warranty Company son responsables de daños indirectos, incidentales o consecuentes respecto al uso de los productos Toro cubiertos por estas garantías, incluyendo cualquier coste o gasto por la provisión de equipos de sustitución o servicio durante periodos razonables de mal funcionamiento o no utilización hasta la terminación de reparaciones bajo estas garantías.

Algunos estados no permiten exclusiones de daños incidentales o consecuentes, de manera que las exclusiones arriba citadas pueden no ser aplicables a usted.

Esta garantía le otorga a usted derechos legales específicos; es posible que usted tenga otros derechos que varían de un estado a otro.



Tondeuse Recycler® de 56 cm (22 po)

N° de modèle 20370—N° de série 315000001 et suivants

N° de modèle 20371—N° de série 315000001 et suivants

N° de modèle 20377—N° de série 315000001 et suivants

N° de modèle 20378—N° de série 315000001 et suivants

Manuel de l'utilisateur

Vous pouvez vous procurer des pièces de rechange chez n'importe quel dépositaire agréé ou sur le site www.shoptoro.com.

Introduction

Lisez attentivement cette notice pour apprendre comment utiliser et entretenir correctement votre produit, et éviter de l'endommager ou de vous blesser. Vous êtes responsable de l'utilisation sûre et correcte du produit.

Vous pouvez contacter Toro directement sur le site www.Toro.com pour tout renseignement sur les produits et accessoires, pour trouver un dépositaire ou pour enregistrer votre produit.

Pour obtenir des prestations de service, des pièces Toro d'origine ou des renseignements complémentaires, munissez-vous des numéros de modèle et de série du produit et contactez un dépositaire-réparateur ou le service client Toro agréé. La Figure **Figure 1** indique l'emplacement des numéros de modèle et de série du produit.

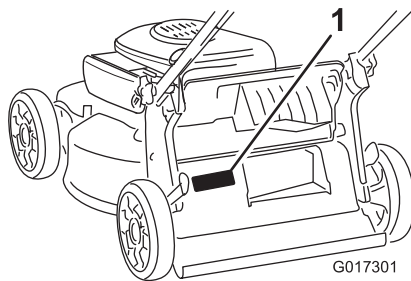


Figure 1

1. Plaque des numéros de modèle et de série

Notez les numéros de modèle et de série du produit dans l'espace ci-dessous :

N° de modèle _____
N° de série _____

Les mises en garde de ce manuel soulignent les dangers potentiels et sont signalées par le symbole de sécurité (**Figure 2**), qui indique un danger pouvant entraîner des blessures

graves ou mortelles si les précautions recommandées ne sont pas respectées.



Figure 2

1. Symbole de sécurité

Ce manuel utilise deux termes pour faire passer des renseignements essentiels. **Important**, pour attirer l'attention sur des renseignements mécaniques spécifiques et **Remarque**, pour insister sur des renseignements d'ordre général méritant une attention particulière.

ATTENTION

CALIFORNIE

Proposition 65 - Avertissement

Les gaz d'échappement du moteur de ce produit contiennent des substances chimiques considérées par l'état de Californie comme cause de cancers, malformations congénitales et autres troubles de la reproduction.

Important: Le moteur de cette machine n'est pas équipé d'un silencieux avec pare-étincelles. L'utilisation de cette machine dans une zone boisée, broussailleuse ou recouverte d'herbe constitue une infraction à la section 4442 du Code des ressources publiques de Californie (CPRC). D'autres états ou régions fédérales peuvent être régis par des lois similaires.

Ce système d'allumage par étincelle est conforme à la norme canadienne ICES-002.

Le Manuel du propriétaire du moteur ci-joint est fourni à titre informatif concernant la réglementation de l'Agence américaine pour la protection de l'environnement (EPA) et la réglementation antipollution de l'état de Californie



relative aux systèmes antipollution, à leur entretien et à leur garantie. Vous pouvez vous en procurer un nouvel exemplaire en vous adressant au constructeur du moteur.

Pour les modèles dont la puissance du moteur est indiquée, la puissance brute du moteur a été mesurée en laboratoire par le constructeur du moteur selon SAE J1940. Étant configuré pour satisfaire aux normes de sécurité, antipollution et d'exploitation, le moteur monté sur cette classe de tondeuse aura une puissance effective nettement inférieure.

Table des matières

Introduction	1
Sécurité	2
Consignes générales d'utilisation	2
Utilisation sur pente	3
Enfants	3
Entretien	3
Autocollants de sécurité et d'instruction	5
Mise en service	6
1 Montage du guidon	6
2 Montage du câble du lanceur dans le guide	6
3 Plein d'huile moteur	7
4 Montage du bac à herbe	7
Vue d'ensemble du produit	9
Utilisation	9
Remplissage du réservoir de carburant	9
Contrôle du niveau d'huile moteur	10
Réglage de la hauteur de coupe	10
Démarrage du moteur	11
Utilisation de l'autopropulsion	11
Arrêt du moteur	11
Recyclage de l'herbe coupée	11
Ramassage de l'herbe coupée	11
Éjection latérale de l'herbe coupée	12
Conseils d'utilisation	13
Entretien	14
Programme d'entretien recommandé	14
Préparation à l'entretien	14
Entretien du filtre à air	15
Vidange de l'huile moteur	15
Remplacement de la lame	16
Réglage de l'autopropulsion	17
Nettoyage du dessous de la machine	17
Remisage	18
Préparation de la machine au remisage	18
Pliage du guidon	18
Remise en service après remisage	18

Sécurité

Cette tondeuse est conforme ou supérieure aux normes de sécurité CPSC relatives aux lames pour tondeuses autotractées et aux spécifications de la norme B71.1 de l'American National Standards Institute en vigueur au moment de la production.

Lisez et assimilez le contenu de ce manuel avant de mettre le moteur en marche.

Le symbole de sécurité (Figure 2) signale des dangers potentiels susceptibles de causer des blessures. Respectez tous les messages de sécurité qui suivent ce symbole pour éviter des accidents, potentiellement mortels. L'usage ou l'entretien incorrect de cette tondeuse peut occasionner des accidents, parfois mortels. Pour réduire les risques, respectez les consignes de sécurité suivantes.

Les instructions qui suivent sont adaptées de la norme ANSI/OPEI B71.1-2012.

Cette machine peut sectionner les mains ou les pieds et projeter des objets. Des accidents graves ou mortels peuvent se produire si les consignes de sécurité suivantes ne sont pas respectées.

Consignes générales d'utilisation

- Vous devez lire, comprendre et respecter toutes les instructions qui figurent sur la machine et dans le(s) manuel(s) avant de démarrer le moteur.
- N'approchez pas les mains ou les pieds de la machine et ne les passez pas dessous. Ne vous tenez jamais devant l'ouverture d'éjection.
- Seules les personnes adultes responsables qui ont pris connaissance des instructions sont autorisées à utiliser cette machine.
- Débarrassez la zone de travail des pierres, jouets, câbles, etc. qui pourraient être projetés par la lame. Restez derrière le guidon quand le moteur est en marche.
- Vérifiez que personne ne se trouve dans la zone de travail avant d'utiliser la machine. Arrêtez la machine si quelqu'un entre dans la zone de travail.
- N'utilisez pas la machine pieds nus ou chaussé de sandales. Portez toujours des chaussures solides.
- Ne tirez jamais la machine en arrière, sauf en cas d'absolue nécessité. Vérifiez toujours si la voie est libre juste derrière la machine et sur sa trajectoire avant de faire marche arrière.
- Ne dirigez jamais l'éjection vers qui que ce soit. N'éjectez pas l'herbe coupée contre un mur ou un obstacle. Elle pourrait être renvoyée vers vous-même ou d'autres personnes. Arrêtez la lame quand vous passez sur du gravier.
- N'utilisez pas la machine si le bac à herbe au complet, le déflecteur d'éjection, le déflecteur arrière ou autres

dispositifs de sécurité ne sont pas installés et en parfait état de marche.

- Ne laissez jamais la machine en marche sans surveillance.
- Arrêtez le moteur et attendez l'arrêt complet de la lame avant de nettoyer la machine, de retirer le bac à herbe ou de déboucher le déflecteur d'éjection.
- Travaillez uniquement à la lumière du jour ou sous un bon éclairage artificiel.
- N'utilisez pas la machine sous l'emprise de l'alcool, de drogues ou de médicaments.
- N'utilisez jamais la machine sur de l'herbe humide. Veillez à ne pas perdre l'équilibre; avancez à une allure normale, ne courez pas.
- Désengagez le système d'entraînement, le cas échéant, avant de mettre le moteur en marche.
- Si la machine se met à vibrer de façon anormale, coupez le moteur et cherchez-en immédiatement la cause. Les vibrations indiquent généralement la présence d'un problème.
- Protégez-vous toujours les yeux quand vous utilisez la machine.
- Reportez-vous aux instructions du constructeur concernant l'utilisation et le montage d'accessoires. Utilisez uniquement les accessoires agréés par le fabricant.

Utilisation sur pente

Les pentes peuvent augmenter significativement les risques de dérapage ou de chute qui peuvent entraîner des blessures graves. Les manœuvres sur pentes, quelles qu'elles soient, demandent une attention particulière. Ne travaillez pas sur les pentes sur lesquelles vous ne vous sentez pas à l'aise.

- Travaillez transversalement à la pente, jamais vers le haut ou vers le bas. Soyez extrêmement prudent lorsque vous changez de direction sur un terrain en pente.
- Méfiez-vous des trous, ornières, bosses, rochers ou autres obstacles cachés. Les irrégularités de terrain peuvent vous faire déraiper et provoquer votre chute. L'herbe haute peut masquer les accidents du terrain.
- Ne tondez pas quand l'herbe est humide ni sur des pentes raides. Vous pourriez glisser et vous blesser en tombant.
- Ne tondez pas à proximité de fortes dénivellations, de fossés ou de berges. Vous pourriez glisser ou perdre l'équilibre.

Enfants

Des accidents tragiques peuvent survenir si l'utilisateur ne sait pas que des enfants sont présents. Les enfants sont souvent attirés par la machine et l'activité de tonte. Ne partez **jamais** du principe que les enfants se trouvent encore à l'endroit où vous les avez vus pour la dernière fois.

- Veillez à ce que les enfants restent hors de la zone de travail, sous la garde d'un adulte responsable autre que l'utilisateur.

- Montrez-vous vigilant et coupez le moteur de la machine si un enfant pénètre dans la zone de travail.
- Ne confiez jamais l'utilisation de la machine à un enfant.
- Soyez particulièrement prudent à l'approche de tournants sans visibilité, de buissons, d'arbres ou d'autres objets susceptibles de dissimuler un enfant à votre vue.

Entretien

Manipulation sécuritaire de l'essence

Pour éviter de vous blesser ou de causer des dommages matériels, manipulez l'essence avec une extrême prudence. L'essence est extrêmement inflammable et ses vapeurs sont explosives.

- Éteignez cigarettes, cigares, pipes et autres sources d'étincelles.
- Utilisez exclusivement des bidons à essence homologués.
- N'enlevez jamais le bouchon du réservoir de carburant et n'ajoutez jamais de carburant quand le moteur est en marche. Laissez refroidir le moteur avant de faire le plein de carburant.
- Ne faites jamais le plein de carburant à l'intérieur d'un local.
- Ne remisez jamais la machine ni les bidons de carburant à proximité d'une flamme nue, d'une source d'étincelles ou d'une veilleuse, telle celle d'un chauffe-eau ou d'autres appareils.
- Ne remplissez jamais les bidons de carburant à l'intérieur d'un véhicule ou sur le plateau d'une remorque dont le revêtement est en plastique. Posez toujours les bidons sur le sol, à l'écart du véhicule, avant de les remplir.
- Descendez la machine à moteur à essence du véhicule ou de la remorque et posez-la à terre avant de remplir le réservoir de carburant. Si ce n'est pas possible, laissez la machine dans le véhicule ou sur la remorque, mais remplissez le réservoir à l'aide d'un bidon, et non directement à la pompe.
- Maintenez le pistolet en contact avec le bord du réservoir ou du bidon jusqu'à la fin du remplissage. N'utilisez pas un dispositif de verrouillage du pistolet en position ouverte.
- Si du carburant s'est répandu sur vos vêtements, changez-vous immédiatement.
- Ne remplissez jamais excessivement le réservoir de carburant. Remettez le bouchon du réservoir de carburant en place et serrez-le solidement.

⚠ ATTENTION

Les gaz d'échappement contiennent du monoxyde de carbone, un gaz inodore mortel.

Ne faites pas tourner le moteur à l'intérieur d'un local fermé.

Entretien général

- Ne faites jamais tourner le moteur dans un local fermé.
- Gardez tous les écrous et boulons toujours bien serrés pour garantir l'utilisation sûre de la machine.
- N'enlevez et ne modifiez jamais les dispositifs de sécurité. Vérifiez régulièrement qu'ils fonctionnent correctement.
- Ne laissez pas l'herbe, les feuilles ou d'autres débris s'accumuler sur la machine. Nettoyez les coulées éventuelles d'huile ou de carburant et éliminez les débris imbibés de carburant. Laissez refroidir la machine avant de la remettre.
- Si vous heurtez un obstacle, arrêtez et examinez la machine. Réparez la machine au besoin avant de la remettre en marche.
- N'effectuez jamais de réglages ou de réparations lorsque le moteur est en marche. Débranchez le fil de la bougie et mettez-le à la masse contre le moteur pour éviter tout démarrage accidentel.
- Vérifiez fréquemment l'état des composants du bac à herbe et du déflecteur d'éjection, et remplacez les pièces qui en ont besoin par des pièces recommandées par le constructeur.
- Les lames des tondeuses sont tranchantes. Manipulez toujours les lames avec des gants ou en les enveloppant dans un chiffon, et toujours avec la plus grande prudence.
- Ne modifiez pas le réglage du régulateur et ne faites pas tourner le moteur à un régime excessif.
- Remplacez les autocollants d'instruction ou de sécurité manquants ou endommagés au besoin.
- Pour protéger au mieux votre investissement et maintenir les performances optimales de votre matériel Toro, vous pouvez compter sur les pièces Toro d'origine. Pour assurer une excellente fiabilité, Toro fournit des pièces de rechange conçues en fonction des spécifications techniques exactes de votre machine. Pour votre tranquillité d'esprit, exigez des pièces Toro d'origine.

Autocollants de sécurité et d'instruction

Important: Les autocollants de sécurité et d'instruction sont placés près des endroits potentiellement dangereux. Remplacez les autocollants endommagés.



Marque du fabricant

1. Identifie la lame comme pièce d'origine.



94-8072



112-8867

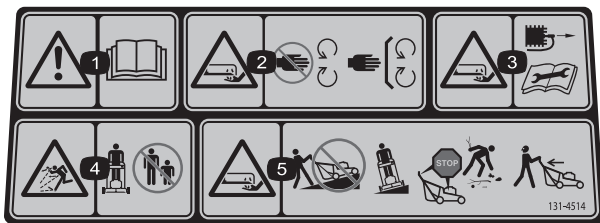
1. Verrouillage
2. Déverrouillage



131-0894

Réglage de la traction

1. Attention – lisez le *Manuel de l'utilisateur* – 1) Desserrez le bouton en le tournant dans le sens antihoraire; 2) Éloignez le(s) câble(s) du moteur pour réduire la traction, ou rapprochez-les du moteur pour augmenter la traction; 3) Serrez le bouton en le tournant dans le sens horaire.



131-4514

1. Attention – lisez le *Manuel de l'utilisateur*.
2. Risque de coupure/mutilation des mains et pieds par la lame – ne vous approchez pas des pièces mobiles et gardez toutes les protections en place.
3. Risque de coupure/mutilation des mains ou des pieds par la lame du tablier de coupe – débranchez la bougie et lisez les instructions avant d'entreprendre un entretien ou une révision.
4. Risque de projection d'objets – tenez les spectateurs à bonne distance de la machine.
5. Risque de coupure/mutilation des mains ou des pieds par la lame de la tondeuse – ne travaillez pas dans le sens de la pente, mais transversalement; coupez le moteur avant de quitter la position d'utilisation et regardez derrière vous avant de faire marche arrière.

Mise en service

Important: Retirez et mettez au rebut la pellicule de plastique qui protège le moteur.

1

Montage du guidon

Aucune pièce requise

Procédure

⚠ ATTENTION

Vous risquez d'endommager les câbles et de rendre l'utilisation de la machine dangereuse si vous ne pliez ou ne dépliez pas le guidon correctement.

- Veillez à ne pas endommager les câbles en pliant ou dépliant le guidon.
- Si un câble est endommagé, adressez-vous à un dépositaire-réparateur agréé.

1. Retirez les boutons du guidon sur le carter de la machine (Figure 3).

Important: Faites passer les câbles à l'extérieur des boutons pendant que vous montez le guidon.

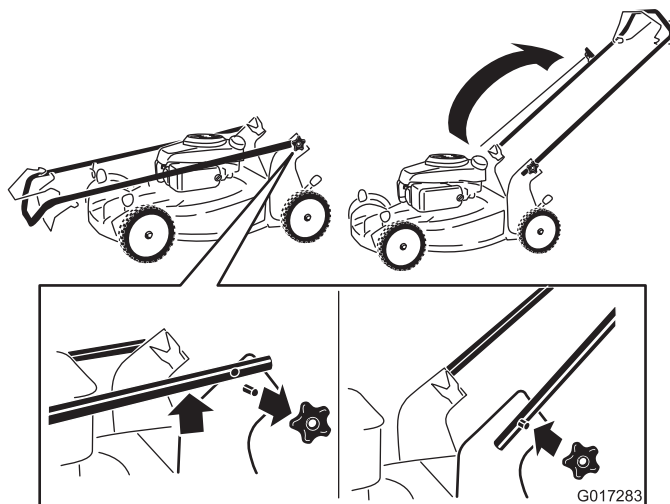


Figure 3

2. Placez le guidon en position d'utilisation.
3. Montez et serrez les boutons du guidon retirés à l'opération 1 (Figure 3).

2

Montage du câble du lanceur dans le guide dans le guide

Aucune pièce requise

Procédure

Important: Pour démarrer le moteur facilement et en toute sécurité chaque fois que vous utilisez la machine, installez le câble du lanceur dans le guide.

Maintenez la barre de commande de la lame contre la partie supérieure du guidon et tirez le câble à travers le guide sur le guidon (Figure 4).

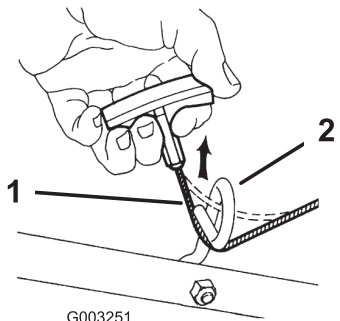


Figure 4

1. Câble du lanceur 2. Guide de câble

3

Plein d'huile moteur

Aucune pièce requise

Procédure

Le carter moteur de cette machine est vide à la livraison.

1. Retirez la jauge (Figure 5).

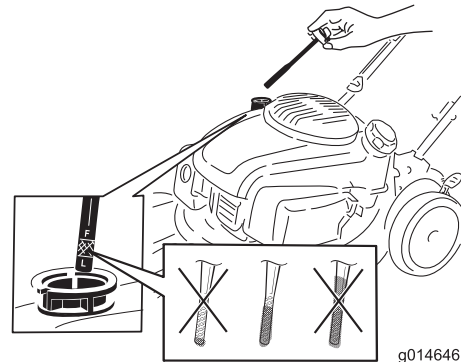


Figure 5

2. Versez de l'huile **lentement** dans le goulot de remplissage pour faire monter le niveau jusqu'au repère du plein (Full) sur la jauge (Figure 5). **Ne remplissez pas excessivement.** (Remplissage max. : 0,65 L (22 oz), type : huile détergente 10W-30 ou SAE 30 de classe de service API SJ ou supérieure.)

Remarque: Chaque fois que vous vérifiez le niveau d'huile, sortez la jauge et essuyez-la sur un chiffon propre, remettez-la dans le goulot de remplissage (**sans** la visser), puis ressortez-la et vérifiez le niveau (Figure 5).

Remarque: Si vous remplissez le moteur excessivement, vidangez une partie de l'huile; voir [Vidange de l'huile moteur](#) (page 15).

3. Revissez la jauge fermement en place.

Important: *Changez l'huile moteur après les 5 premières heures de fonctionnement, puis une fois par an* Voir [Vidange de l'huile moteur](#) (page 15).

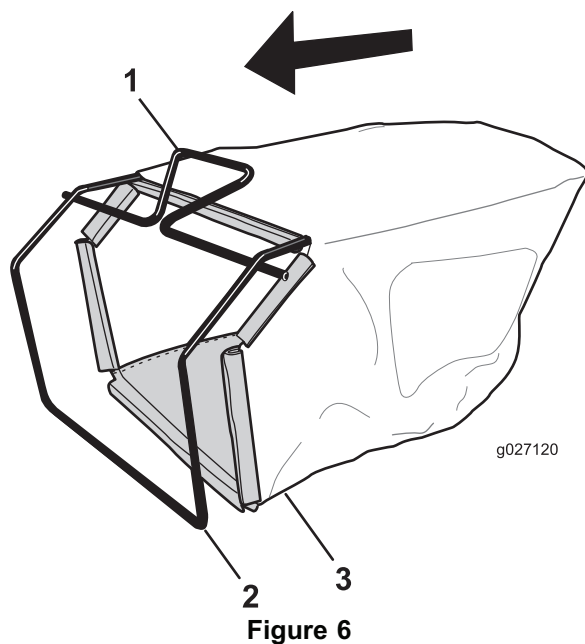
4

Montage du bac à herbe

Aucune pièce requise

Procédure

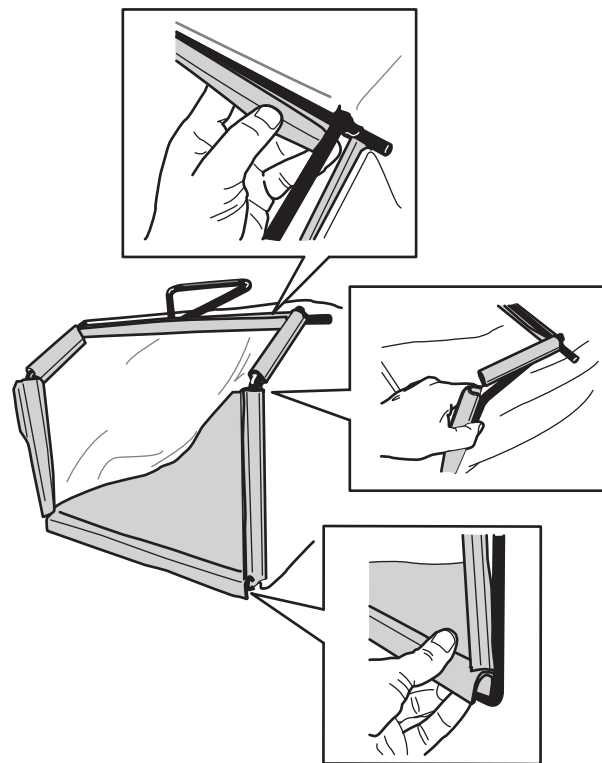
1. Glissez le bac sur l'armature, comme montré à la Figure 6.



1. Poignée
2. Armature
3. Bac à herbe

Remarque: Ne passez pas le bac par dessus la poignée (Figure 6).

2. Accrochez la glissière inférieure du bac au bas de l'armature (Figure 7).



3. Accrochez la glissière supérieure et les glissières latérales du bac au sommet et sur les côtés de l'armature respectivement (Figure 7).

Vue d'ensemble du produit

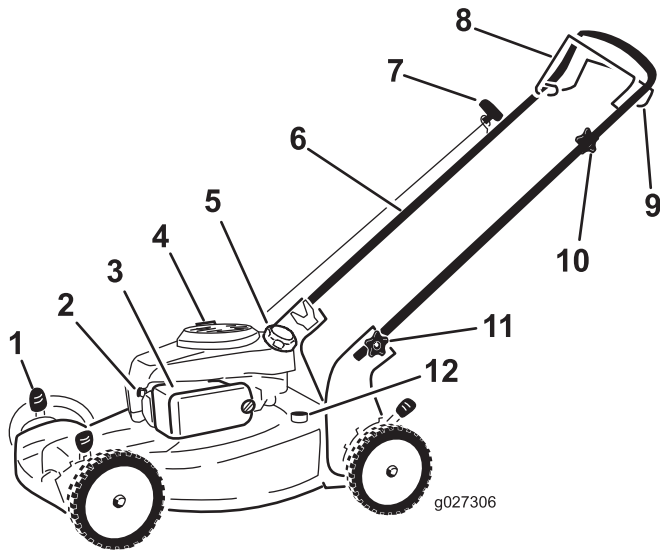


Figure 8

- | | |
|--------------------------------------|---|
| 1. Levier de hauteur de coupe (4) | 7. Poignée du lanceur |
| 2. Bougie | 8. Barre de commande de la lame |
| 3. Filtre à air (non représenté) | 9. Barre d'autopropulsion |
| 4. Bouchon de remplissage/jauge | 10. Bouton de réglage de l'autopropulsion |
| 5. Bouchon du réservoir de carburant | 11. Bouton du guidon (2) |
| 6. Guidon | 12. Raccord de lavage |

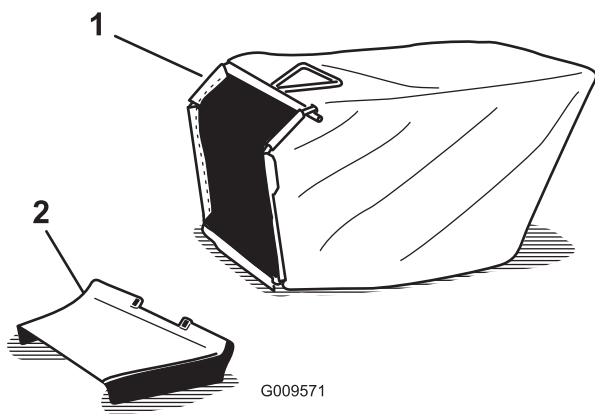


Figure 9

- | | |
|----------------|---------------------|
| 1. Bac à herbe | 2. Éjecteur latéral |
|----------------|---------------------|

Utilisation

Remplissage du réservoir de carburant

⚠ DANGER

L'essence est extrêmement inflammable et explosive. Un incendie ou une explosion causé(e) par de l'essence peut vous brûler, ainsi que les personnes se tenant à proximité.

- Pour éviter que l'électricité statique n'enflamme l'essence, posez le récipient et/ou la machine directement sur le sol, pas dans un véhicule ou sur un support quelconque, avant de remplir le réservoir.
- Faites le plein du réservoir de carburant à l'extérieur quand le moteur est froid. Essayez le carburant éventuellement répandu.
- Ne fumez jamais en manipulant de l'essence et tenez-vous à l'écart des flammes nues ou des sources d'étincelles.
- Conservez l'essence dans un récipient homologué, hors de la portée des enfants.
- Pour assurer le fonctionnement optimal de la machine, utilisez uniquement de l'essence sans plomb propre et fraîche (stockée depuis moins d'un mois) ayant un indice d'octane de 87 ou plus (méthode de calcul $[R+M]/2$).
- L'utilisation de carburant oxygéné contenant jusqu'à 10 % d'éthanol ou 15 % de MTBE par volume est tolérée.
- **Éthanol** : de l'essence contenant jusqu'à 10 % d'éthanol (essence-alcool) ou 15 % de MTBE (éther méthyltertiobutylique) par volume peut être utilisée. L'éthanol et le MTBE sont deux produits différents. L'utilisation d'essence contenant 15 % d'éthanol (E15) par volume n'est pas agréée. N'utilisez jamais d'essence contenant plus de 10 % d'éthanol par volume, comme E15 (qui contient 15 % d'éthanol), E20 (qui contient 20 % d'éthanol) ou E85 (qui contient jusqu'à 85 % d'éthanol). L'utilisation d'essence non agréée peut entraîner des problèmes de performances et/ou des dommages au moteur qui peuvent ne pas être couverts par la garantie.
- N'utilisez **pas** d'essence contenant du méthanol.
- Ne stockez **pas** le carburant dans le réservoir ou dans des bidons de carburant pendant l'hiver à moins d'utiliser un stabilisateur de carburant.
- N'ajoutez **pas** d'huile à l'essence.

Faites le plein avec de l'essence sans plomb ordinaire fraîche d'une marque réputée (Figure 10).

Important: Pour réduire les problèmes de démarrage, ajoutez un stabilisateur à chaque plein et utilisez de l'essence stockée depuis moins d'un mois.

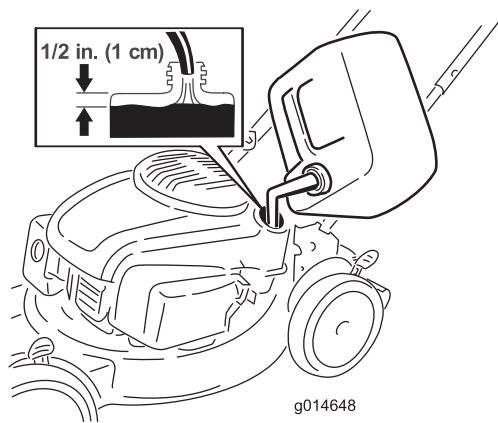


Figure 10

Contrôle du niveau d'huile moteur

Périodicité des entretiens: À chaque utilisation ou une fois par jour

1. Retirez la jauge, essuyez-la sur un chiffon propre puis remettez-la dans le goulot de remplissage, **sans la visser** (Figure 11).

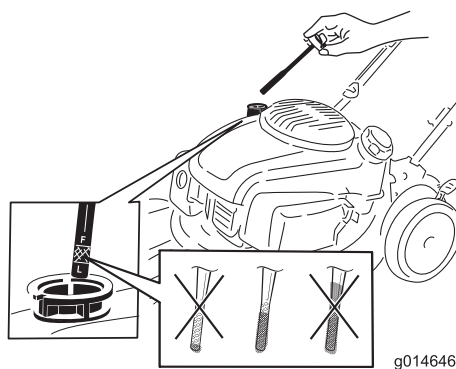


Figure 11

2. Ressortez la jauge et vérifiez le niveau d'huile (Figure 11). Si le niveau n'atteint pas le repère minimum (Add) sur la jauge, versez **lentement** une quantité d'huile suffisante dans le goulot de remplissage pour faire monter le niveau jusqu'au repère maximum (Full). **Ne remplissez pas excessivement.** (Remplissage max. : 0.65 L (22 oz), type : huile détergente 10W-30 ou SAE 30 de classe de service API SJ ou supérieure.)

Remarque: Si vous remplissez le moteur excessivement, vidangez une partie de l'huile comme expliqué à la section [Vidange de l'huile moteur](#) (page 15).

3. Revissez la jauge fermement en place.

Réglage de la hauteur de coupe

⚠ ATTENTION

Pendant le réglage de la hauteur de coupe, vous risquez de toucher la lame en mouvement et de vous blesser gravement.

- Coupez le moteur et attendez l'arrêt de toutes les pièces mobiles.
- Ne mettez pas les doigts sous le carter du tablier de coupe quand vous réglez la hauteur de coupe.

⚠ PRUDENCE

Si le moteur vient de tourner, le silencieux est très chaud et risque de vous brûler gravement. Ne vous approchez pas du silencieux encore chaud.

Choisissez la hauteur de coupe voulue. Réglez les roues avant à la même hauteur que les roues arrière.

Remarque: Pour élever la machine, déplacez tous les leviers de réglage de hauteur de coupe en arrière. Pour abaisser la machine, déplacez tous les leviers de réglage de hauteur de coupe en avant (Figure 12).

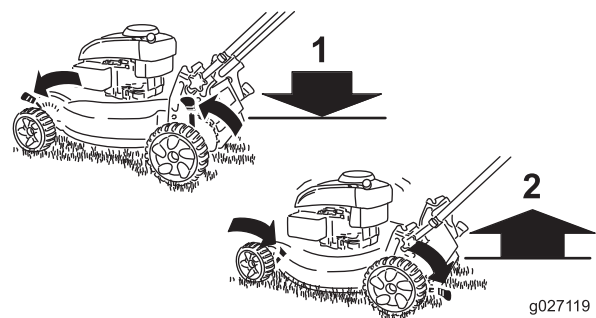


Figure 12

1. Descente de la machine
2. Montée de la machine

Remarque: Le tablier de coupe peut être réglé aux hauteurs suivantes : 25 mm (1 po), 35 mm (1-3/8 po), 44 mm (1-3/4 po), 54 mm (2-1/8 po), 64 mm (2-1/2 po), 73 mm (2-7/8 po), 83 mm (3-1/4 po), 92 mm (3-5/8 po) et 102 mm (4 po).

Démarrage du moteur

1. Maintenez la barre de commande de la lame contre le guidon (Figure 13).

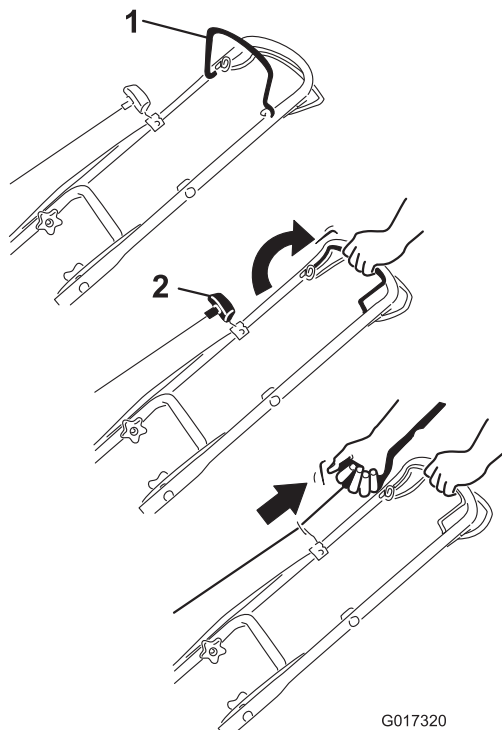


Figure 13

1. Barre de commande de la lame
2. Poignée du lanceur lame

2. Tirez lentement la poignée du lanceur jusqu'à ce que vous sentiez une résistance, puis tirez vigoureusement. Laissez le lanceur se rétracter lentement jusqu'à la poignée (Figure 13).

Remarque: Si le moteur ne démarre pas après plusieurs tentatives, contactez un dépositaire-réparateur agréé.

Utilisation de l'autopropulsion

Pour actionner l'autopropulsion, serrez et maintenez la barre d'autopropulsion (Figure 14) contre le guidon.

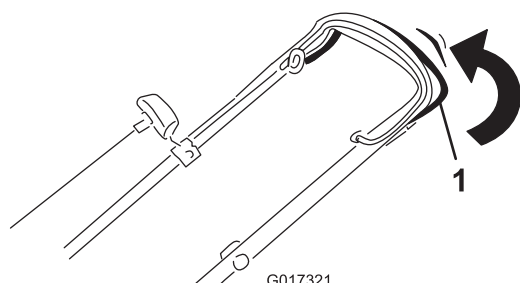


Figure 14

1. Barre d'autopropulsion

Pour désengager l'autopropulsion, relâchez la barre d'autopropulsion.

Remarque: La vitesse d'autopropulsion maximale est fixe. Pour ralentir, éloignez la barre d'autopropulsion du guidon.

Arrêt du moteur

Pour arrêter le moteur, relâchez la barre de commande de la lame.

Important: Lorsque vous relâchez la barre de commande de la lame, le moteur et la lame doivent s'arrêter en moins de 3 secondes. Si ce n'est pas le cas, cessez immédiatement d'utiliser la machine et adressez-vous à un dépositaire-réparateur agréé.

Recyclage de l'herbe coupée

À la livraison, votre machine est prête à recycler l'herbe et les feuilles coupées pour nourrir votre pelouse.

Si le bac à herbe est monté sur la machine, enlevez-le avant de procéder au recyclage de l'herbe; voir [Retrait du bac à herbe \(page 12\)](#). Si l'éjecteur latéral est installé, déposez-le avant de procéder au recyclage de l'herbe; voir [Retrait de l'éjecteur latéral \(page 13\)](#).

Ramassage de l'herbe coupée

Utilisez le bac à herbe pour recueillir l'herbe et les feuilles coupées à la surface de la pelouse.

Remarque: Vérifiez que le bac est positionné correctement.

⚠ ATTENTION

Si le bac à herbe est usé, des gravillons ou autres débris similaires peuvent être projetés vers vous ou des personnes à proximité, et infliger des blessures graves ou mortelles.

Contrôlez fréquemment le bac à herbe. S'il est endommagé, remplacez-le par un bac Toro neuf d'origine.

Si l'éjecteur latéral est installé, déposez-le avant de procéder au ramassage de l'herbe; voir [Retrait de l'éjecteur latéral \(page 13\)](#).

⚠ ATTENTION

La lame est tranchante et vous pouvez vous blesser gravement à son contact.

Coupez le moteur et attendez l'arrêt complet de toutes les pièces mobiles avant de quitter la position d'utilisation.

Mise en place du bac à herbe

Remarque: Vérifiez que le bac est positionné correctement.

1. Soulevez le déflecteur arrière et maintenez-le dans cette position (Figure 15).

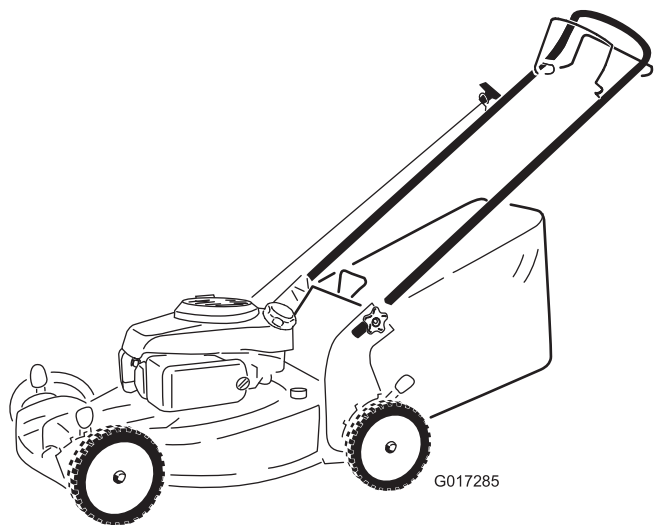
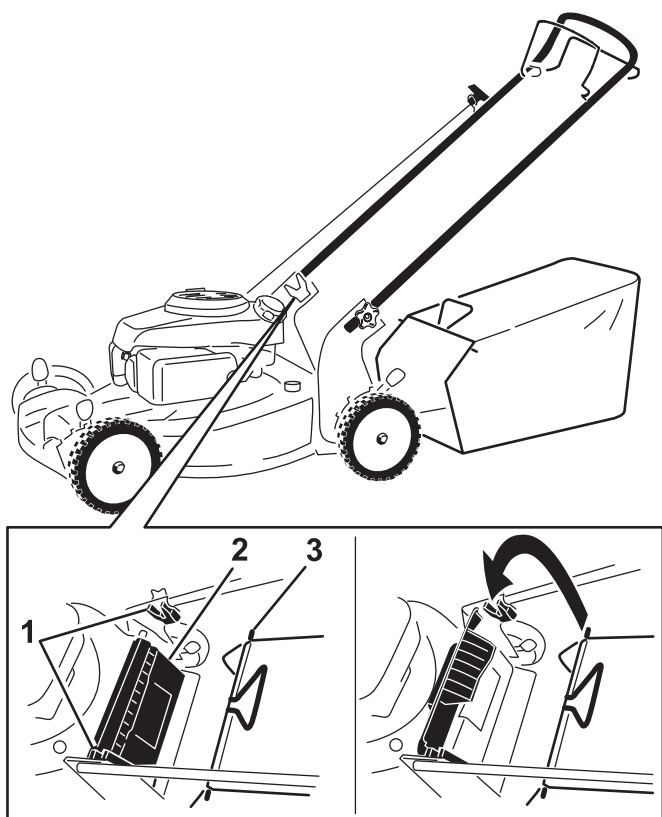


Figure 15

1. Crans
2. Déflecteur arrière
3. Ergot de bac à herbe (2)

2. Montez le bac à herbe en veillant à placer les ergots dans les crans du guidon (Figure 15).
3. Abaissez le déflecteur arrière.

Retrait du bac à herbe

Pour retirer le bac à herbe, inversez la procédure de montage décrite plus haut.

Éjection latérale de l'herbe coupée

Utilisez l'éjection latérale quand vous tondez de l'herbe très haute.

Si le bac est monté sur la machine, enlevez-le avant de procéder à l'éjection latérale de l'herbe coupée.

⚠ ATTENTION

La lame est tranchante et vous pouvez vous blesser gravement à son contact.

Coupez le moteur et attendez l'arrêt complet de toutes les pièces mobiles avant de quitter la position d'utilisation.

Pose de l'éjecteur latéral

Soulevez le déflecteur latéral et montez l'éjecteur latéral (Figure 16).



Figure 16

Retrait de l'éjecteur latéral

Pour enlever l'éjecteur latéral, soulevez le déflecteur latéral, enlevez l'éjecteur et abaissez le déflecteur.

Conseils d'utilisation

Conseils de tonte généraux

- Débarrassez la zone de travail des branches, pierres, câbles, bâtons et autres débris qui pourraient être ramassés et projetés par la lame.
- Évitez de heurter des obstacles avec la lame. Ne passez jamais intentionnellement sur un objet quel qu'il soit.
- Si la machine a heurté un obstacle ou commence à vibrer, coupez immédiatement le moteur, débranchez la bougie et vérifiez si la machine n'est pas endommagée.
- Pour obtenir des résultats optimaux, remplacez la lame au début de la saison de tonte.
- Remplacez la lame dès que nécessaire par une lame Toro.

La tonte

- Ne tondez l'herbe que sur un tiers de sa hauteur à chaque fois. N'utilisez pas une hauteur de coupe inférieure à 54 mm (2-1/8 po), sauf si l'herbe est clairsemée ou à la fin de l'automne quand la pousse commence à ralentir. Voir [Réglage de la hauteur de coupe \(page 10\)](#).
- Si l'herbe fait plus de 15 cm (6 po), effectuez d'abord un premier passage à vitesse réduite à la hauteur de coupe la plus haute. Effectuez ensuite un deuxième passage à une hauteur de coupe inférieure pour obtenir une coupe plus esthétique. L'herbe trop haute risque d'obstruer la machine et de faire caler le moteur.
- Ne tondez que si l'herbe ou les feuilles sont sèches. L'herbe et les feuilles humides ont tendance à s'agglomérer sur la pelouse et peuvent obstruer la machine et faire caler le moteur.

⚠ ATTENTION

En travaillant sur l'herbe ou les feuilles humides, vous risquez de glisser et de vous blesser gravement si vous touchez la lame en tombant. Ne tondez que si l'herbe est sèche.

- Soyez conscient des risques d'incendie par temps très sec, respectez tous les avertissements locaux relatifs aux incendies, et ne laissez pas l'herbe et les feuilles sèches s'accumuler sur la machine.
- Alternez la direction de la tonte. Cela permet de disperser les déchets plus uniformément et d'obtenir une fertilisation plus homogène.
- Si l'aspect de la pelouse tondue n'est pas satisfaisant, essayez une ou plusieurs des solutions suivantes :

- Remplacez la lame ou faites-la aiguiser.
- Tondez en avançant plus lentement.
- Augmentez la hauteur de coupe.
- Tondez plus souvent.
- Empiétez sur les passages précédents pour tondre une largeur de bande réduite.
- Réglez la hauteur de coupe des roues avant un cran en dessous de celle des roues arrière. Par exemple, réglez les roues avant à 54 mm (2-1/8 po) et les roues arrière à 64 mm (2-1/2 po).

Hachage de feuilles

- Après la tonte, 50 % de la pelouse doit être visible sous la couche de feuilles hachées. À cet effet, vous devrez peut-être repasser plusieurs fois sur les feuilles.
- Si la couche de feuilles fait plus de 13 cm (5 po) d'épaisseur, réglez les roues avant 1 ou 2 crans plus haut que les roues arrière.
- Ralentissez la vitesse de déplacement si les feuilles ne sont pas hachées assez menues.

Entretien

Remarque: Les côtés gauche et droit de la machine sont déterminés d'après la position d'utilisation normale.

Programme d'entretien recommandé

Périodicité d'entretien	Procédure d'entretien
Après les 5 premières heures de fonctionnement	<ul style="list-style-type: none">• Vidangez l'huile moteur.
À chaque utilisation ou une fois par jour	<ul style="list-style-type: none">• Contrôlez le niveau d'huile moteur.• Vérifiez que le moteur s'arrête dans les 3 secondes suivant le relâchement de la barre de commande de la lame.• Enlevez l'herbe coupée et autres débris accumulés sous la machine.
Toutes les 25 heures	<ul style="list-style-type: none">• Vérifiez l'état, la propreté et le serrage des composants du filtre à air et nettoyez ou remplacez-les au besoin.
Toutes les 50 heures	<ul style="list-style-type: none">• Vidangez l'huile moteur.
Toutes les 100 heures	<ul style="list-style-type: none">• Remplacez l'élément du filtre à air (plus fréquemment si l'environnement d'utilisation est sale ou poussiéreux).
Avant le remisage	<ul style="list-style-type: none">• Vidangez le réservoir de carburant avant le remisage annuel et avant les réparations nécessaires.
Une fois par an	<ul style="list-style-type: none">• Remplacez la lame ou faites-la aiguiser. Remplacez-la ou faites-la aiguiser plus souvent si elle s'émousse rapidement.• Nettoyez le système de refroidissement; nettoyez-le plus souvent si vous travaillez dans une atmosphère poussiéreuse. Reportez-vous au manuel du propriétaire du moteur.• Reportez-vous au manuel du propriétaire du moteur pour toutes procédures d'entretien annuelles supplémentaires.

Important: Reportez-vous au manuel du propriétaire du moteur pour toutes procédures d'entretien supplémentaires.

Remarque: Vous pouvez vous procurer des pièces de rechange chez n'importe quel dépositaire-réparateur agréé (rendez-vous sur www.toro.com pour trouver le dépositaire le plus proche) ou en consultant le site www.shoptoro.com.

Préparation à l'entretien

1. Coupez le moteur et attendez l'arrêt de toutes les pièces mobiles.
2. Débranchez le fil de la bougie (Figure 17) avant de procéder à un quelconque entretien.

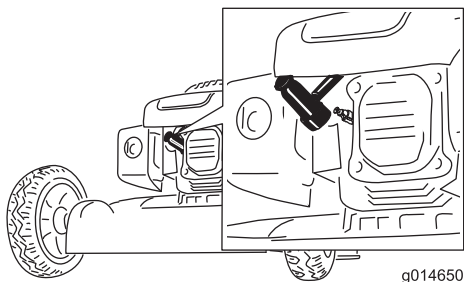


Figure 17

1. Fil de bougie

3. Rebranchez le fil sur la bougie une fois l'entretien terminé.

Important: Avant de basculer la machine pour vidanger l'huile ou remplacer la lame, laissez le moteur en marche jusqu'à ce qu'il s'arrête faute de carburant. Si vous ne pouvez pas attendre que le moteur s'arrête par manque de carburant, utilisez une pompe manuelle pour vider le reste de carburant. Basculez toujours la machine sur le côté, avec la jauge en bas.

⚠ ATTENTION

Du carburant peut s'échapper lorsque la machine est basculée sur le côté. L'essence est inflammable et explosive, et peut provoquer des blessures.

Laissez tourner le moteur jusqu'à ce qu'il s'arrête faute de carburant ou vidangez le reste d'essence avec une pompe manuelle, pas un siphon.

Entretien du filtre à air

Périodicité des entretiens: Toutes les 25 heures/Une fois par an (la première échéance prévalant)—Vérifiez l'état, la propreté et le serrage des composants du filtre à air et nettoyez ou remplacez-les au besoin.

Toutes les 100 heures/Une fois par an (la première échéance prévalant)—Remplacez l'élément du filtre à air (plus fréquemment si l'environnement d'utilisation est sale ou poussiéreux).

1. Effectuez les préparatifs d'entretien recommandés; voir [Préparation à l'entretien](#) (page 14).
2. Appuyez sur les languettes de verrouillage en haut du couvercle du filtre à air ([Figure 18](#)).

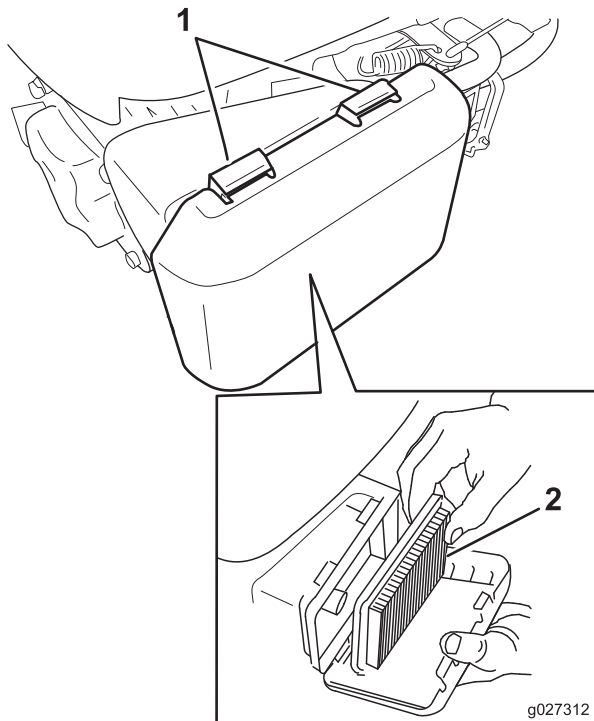


Figure 18

1. Languettes de verrouillage 2. Élément filtrant

1. Effectuez les préparatifs d'entretien recommandés; voir [Préparation à l'entretien](#) (page 14).
2. Inclinez la machine sur le côté (filtre à air en haut), puis retirez la jauge pour vidanger l'huile usagée par le goulot de remplissage ([Figure 19](#)).

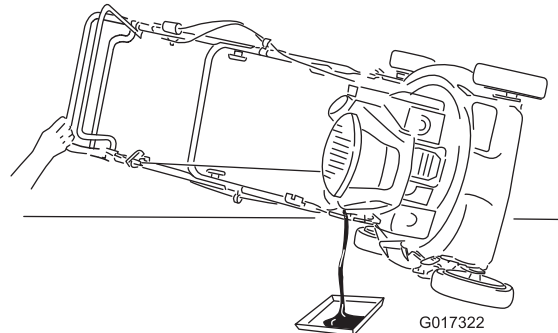


Figure 19

3. Redressez la machine après avoir vidangé l'huile usagée.
4. Versez de l'huile **lentement** dans le goulot de remplissage pour faire monter le niveau jusqu'au repère du plein (Full) sur la jauge ([Figure 20](#)). **Ne remplissez pas excessivement.** (Remplissage max. : 0,65 L (22 oz), type : huile détergente 10W-30 ou SAE 30 de classe de service API SJ ou supérieure.)

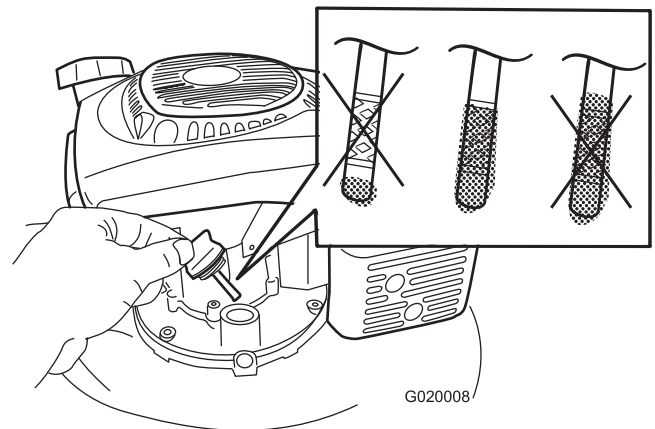


Figure 20

3. Ouvrez le couvercle.
4. Remplacez l'élément filtrant.
5. Reposez le couvercle.

Vidange de l'huile moteur

Périodicité des entretiens: Après les 5 premières heures de fonctionnement

Toutes les 50 heures/Une fois par an (la première échéance prévalant)

Faites tourner le moteur pendant quelques minutes avant la vidange pour réchauffer l'huile. L'huile chaude s'écoule plus facilement et entraîne plus d'impuretés.

Remarque: Chaque fois que vous vérifiez le niveau d'huile, sortez la jauge et essuyez-la sur un chiffon propre. Remettez-la ensuite dans le goulot de remplissage (**sans** la visser), puis ressortez-la et vérifiez le niveau.

Remarque: Si vous remplissez le moteur excessivement, vidangez une partie de l'huile du carter moteur.

5. Revissez la jauge fermement en place.
6. Débarrassez-vous correctement de l'huile usagée en la déposant dans un centre de recyclage agréé.

Remplacement de la lame

Périodicité des entretiens: Une fois par an

Important: Vous aurez besoin d'une clé dynamométrique pour monter la lame correctement. Si vous n'en possédez pas ou si vous ne vous sentez pas capable d'effectuer cette procédure, adressez-vous à un dépositaire-réparateur agréé.

Examinez l'état de la lame chaque fois que le réservoir d'essence est vide. Si la lame est endommagée ou fêlée, remplacez-la immédiatement. Si la lame est émoussée ou ébréchée, faites-la aiguiser et équilibrer ou remplacez-la.

⚠ ATTENTION

La lame est tranchante et vous pouvez vous blesser gravement à son contact.

Portez des gants pour effectuer l'entretien de la lame.

1. Voir [Préparation à l'entretien](#) (page 14).
2. Basculez la machine sur le côté (filtre à air en haut).
3. Immobilisez la lame avec un morceau de bois ([Figure 21](#)).

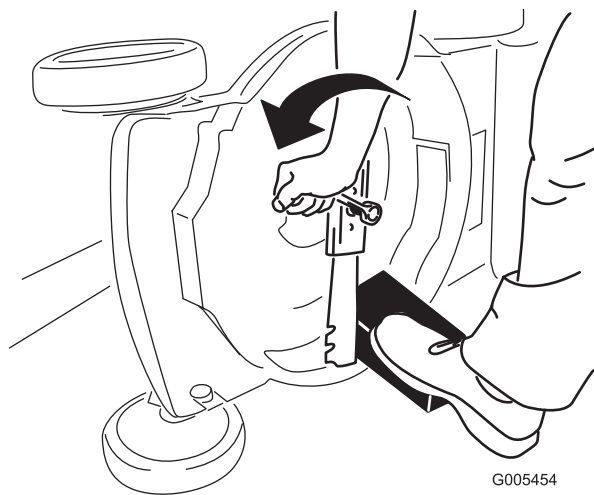


Figure 21

4. Déposez la lame mais ne jetez pas les fixations ([Figure 21](#)).
5. Montez la nouvelle lame et toutes les fixations ([Figure 22](#)).

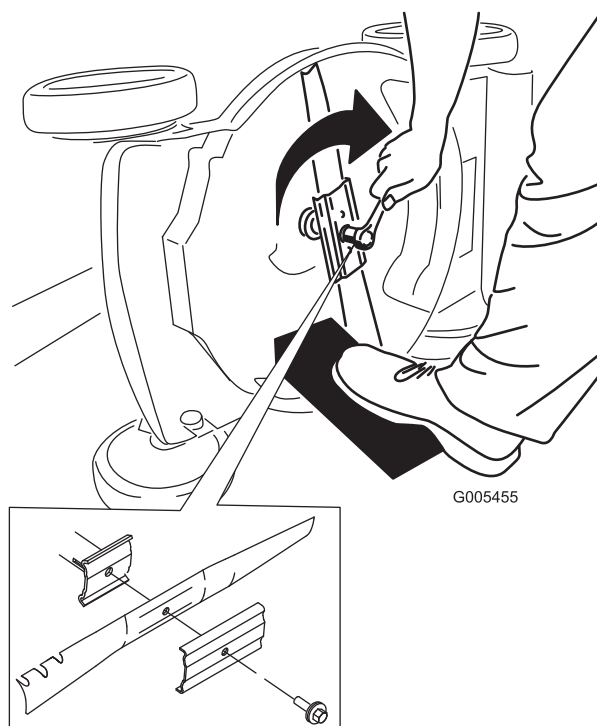


Figure 22

Important: Les extrémités relevées de la lame doivent être dirigées vers le carter de la machine.

6. À l'aide d'une clé dynamométrique, serrez le boulon de la lame à 82 Nm (60 pi-lb).

Important: Un boulon vissé à 82 Nm (60 pi-lb) est très serré. Bloquez la lame avec une cale en bois, appuyez de tout votre poids sur le rochet ou la clé, et serrez le boulon solidement. Il est pratiquement impossible de trop serrer ce boulon.

Réglage de l'autopropulsion

Lorsque vous remplacez un câble de commande d'autopropulsion ou que l'autopropulsion est dérégulée, vous devez régler l'autopropulsion.

1. Tournez le bouton de réglage dans le sens antihoraire pour desserrer le réglage du câble (Figure 23).

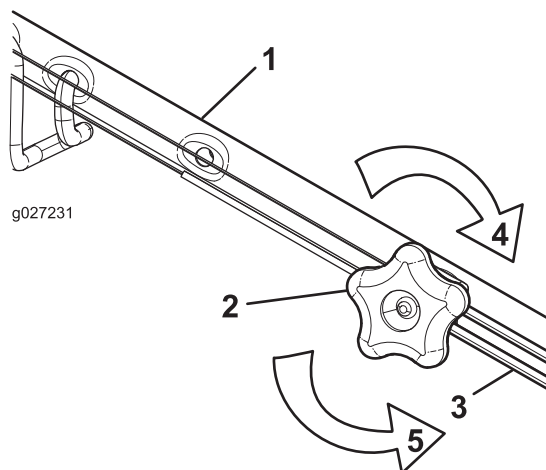


Figure 23

- | | |
|---------------------------|--|
| 1. Guidon (côté gauche) | 4. Tournez le bouton dans le sens horaire pour serrer le réglage. |
| 2. Bouton de réglage | 5. Tournez le bouton dans le sens antihoraire pour desserrer le réglage. |
| 3. Câble d'autopropulsion | |

2. Ajustez la tension du câble (Figure 23) en le tirant en arrière ou en le poussant en avant puis en le maintenant à cette position.

Remarque: Poussez le câble vers le moteur pour accroître la traction et éloignez-le du moteur pour réduire la traction.

3. Tourner le bouton de réglage dans le sens horaire pour serrer le réglage du câble.

Remarque: Serrez fermement le bouton à la main.

Nettoyage du dessous de la machine

Périodicité des entretiens: À chaque utilisation ou une fois par jour

⚠ ATTENTION

Des débris peuvent être délogés et éjectés de sous la machine.

- Portez des lunettes de protection.
- Restez à la position d'utilisation (derrière le guidon) quand le moteur est en marche.
- Ne laissez personne pénétrer dans la zone de travail.

Pour obtenir des résultats optimaux, nettoyez rapidement la machine après la tonte.

1. Abaissez la machine à la hauteur de coupe la plus basse. Voir Réglage de la hauteur de coupe (page 10).
2. Placez la machine sur une surface plane et revêtue.
3. Lavez le dessous du déflecteur arrière au point où l'herbe coupée passe de la face inférieure de la machine au bac de ramassage.

Remarque: Lavez le côté ramassage sur demande aux positions avant et arrière maximales.

4. Branchez un tuyau d'arrosage, relié à une arrivée d'eau, au raccord de lavage de la machine (Figure 24).

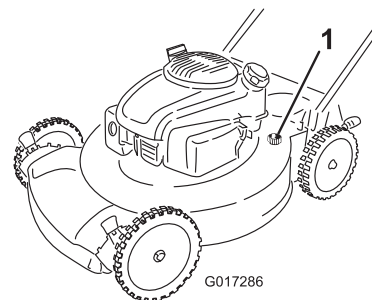


Figure 24

1. Raccord de lavage

5. Ouvrez l'arrivée d'eau.
6. Mettez le moteur en marche et laissez-le tourner jusqu'à ce qu'il ne reste plus d'herbe sous la machine.
7. Coupez le moteur.
8. Coupez l'eau et débranchez le tuyau d'arrosage de la machine.
9. Mettez le moteur en marche et laissez-le tourner quelques minutes pour sécher la dessous de la machine et l'empêcher de rouiller.
10. Laissez refroidir le moteur avant de ranger la machine dans un local fermé.

Remisage

Remisez la machine dans un local frais, propre et sec.

Préparation de la machine au remisage

⚠ ATTENTION

Les vapeurs d'essence sont explosives.

- Ne conservez pas l'essence plus d'un mois.
- Ne remisez pas la machine dans un local fermé où se trouve une flamme nue.
- Laissez refroidir le moteur avant de remiser la machine.

1. Lors du dernier plein de la saison, ajoutez un stabilisateur au carburant selon les instructions du constructeur du moteur.
2. Débarrassez-vous correctement du carburant inutilisé. Recyclez-le conformément à la réglementation locale ou utilisez-le dans une voiture.

Remarque: La présence de carburant trop vieux dans le réservoir est la principale cause des problèmes de démarrage. Ne conservez pas le carburant non traité plus de 30 jours et le carburant traité plus de 90 jours.

3. Laissez tourner le moteur de la machine jusqu'à ce qu'il s'arrête faute de carburant.
4. Remettez le moteur en marche.
5. Laissez tourner le moteur jusqu'à ce qu'il s'arrête. Le moteur est suffisamment sec lorsqu'il n'y a plus moyen de le faire démarrer.
6. Débranchez le fil de la bougie.
7. Déposez la bougie et versez 30 ml (1 oz) d'huile dans l'ouverture laissée par la bougie. Tirez ensuite la poignée du lanceur lentement à plusieurs reprises pour bien répartir l'huile à l'intérieur du cylindre et empêcher celui-ci de rouiller pendant le remisage de la machine.
8. Reposez la bougie sans la serrer.
9. Serrez tous les écrous, boulons et vis.

Pliage du guidon

⚠ ATTENTION

Vous risquez d'endommager les câbles et de rendre l'utilisation de la machine dangereuse si vous ne pliez ou ne dépliez pas le guidon correctement.

- Veillez à ne pas endommager les câbles en pliant ou dépliant le guidon.
- Si un câble est endommagé, adressez-vous à un dépositaire-réparateur agréé.

1. Desserrez les boutons du guidon jusqu'à ce que la moitié supérieure bouge librement.
2. Pliez la moitié supérieure du guidon en avant de la manière indiquée (Figure 25).

Important: Faites passer les câbles à l'extérieur des boutons quand vous pliez le guidon.

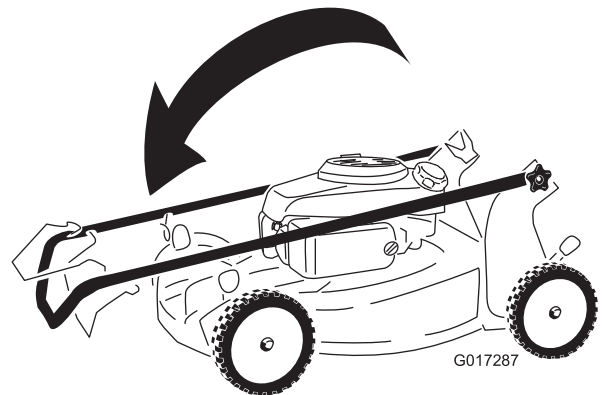


Figure 25

3. Pour déplier le guidon, inversez la procédure décrite plus haut.

Remise en service après remisage

1. Déposez la bougie et faites tourner le moteur rapidement en tirant sur la poignée du lanceur pour éliminer l'excédent d'huile dans le cylindre.
2. Reposez et serrez la bougie à 20 Nm (15 pi-lb) à l'aide d'une clé dynamométrique.
3. Branchez le fil de la bougie.

Remarques:



La garantie intégrale Toro

Une garantie intégrale de 2 ans (garantie limitée de 45 jours pour usage commercial)

Recycler® 56 cm (22 pouces)

Déshiqueur/collecteur de 51 cm (20 pouces)

La garantie de démarrage (GTS) Toro

Une garantie intégrale de 3 ans (ne s'applique pas à l'usage commercial)

Tondeuses autotractées

Conditions et produits couverts

The Toro Company et sa filiale Toro Warranty Company, en vertu d'un accord mutuel, s'engagent conjointement à réparer le produit Toro ci-dessous s'il est employé pour un usage résidentiel*, s'il présente un défaut de matériaux ou de fabrication ou s'il cesse de fonctionner par suite de la défaillance d'un composant; ou si le moteur Toro GTS (Guaranteed to Start – Démarrage garanti) ne démarre pas à la première ou à la deuxième tentative au lanceur, à condition que l'entretien courant requis dans le *Manuel de l'utilisateur* ait été effectué.

Cette garantie couvre le coût des pièces et de la main-d'œuvre, mais le transport est à votre charge.

Durées de la garantie à compter de la date d'achat :

Produits	Période de garantie
Recycler de 56 cm (22 pouces) et déshiqueur/collecteur de 51 cm (20 pouces) et accessoires	Garantie intégrale de 2 ans
GTS (démarrage garanti)	Garantie intégrale de 3 ans
Moteur	Garantie intégrale de 3 ans
Batterie	Garantie intégrale de 1 an

Garantie limitée pour usage commercial*

Les produits Toro à moteur à essence utilisés à des fins commerciales, par des institutions ou donnés en location sont couverts contre tout défaut de fabrication ou de matériau pendant une période de 45 jours. Les défaillances de composants dues à une usure normale ne sont pas couvertes par cette garantie.

La garantie de démarrage Toro GTS ne s'applique pas si le produit est utilisé à des fins commerciales.*

Comment faire intervenir la garantie

Si vous pensez que votre produit Toro présente un défaut de fabrication ou de matériau, ou s'il ne démarre plus après un ou deux essais effectués par n'importe quel adulte physiquement apte, suivez la procédure ci-dessous :

1. Demandez à un dépositaire-réparateur Toro agréé de prendre en charge votre produit. Pour trouver le dépositaire le plus proche, consultez les *Pages Jaunes* (sous « Tondeuses à gazon ») ou rendez-vous sur notre site web à www.Toro.com. Vous pouvez aussi appeler les numéros indiqués au point 3 pour consulter notre système permanent de localisation des dépositaires Toro.
2. Lorsque vous vous rendez chez le dépositaire-réparateur, apportez le produit et une preuve d'achat (reçu). Le dépositaire-réparateur diagnostiquera le problème et déterminera s'il est couvert par la garantie.
3. Si, pour une raison quelconque, vous n'êtes pas satisfait du diagnostic de votre dépositaire-réparateur ou des conseils prodigués, n'hésitez pas à nous contacter à l'adresse suivante :

Customer Care Department, RLC Division
 The Toro Company
 8111 Lyndale Avenue South
 Bloomington, MN 55420-1196, États-Unis
 Numéro vert : 866-214-9807 (aux États-Unis)
 Numéro vert : 866-214-9808 (au Canada)

Responsabilités du propriétaire

L'entretien de votre produit Toro doit être conforme aux procédures décrites dans le *Manuel de l'utilisateur*. Cet entretien courant est à vos frais, qu'il soit effectué par vous-même ou par un dépositaire-réparateur.

Autres pays que les États-Unis et le Canada

Pour les produits Toro exportés des États-Unis ou du Canada, demandez à votre distributeur (dépositaire) Toro la police de garantie applicable dans votre pays, région ou état. Si, pour une raison quelconque, vous n'êtes pas satisfait des services de votre distributeur, ou si vous avez du mal à vous procurer des renseignements concernant la garantie, adressez-vous à l'importateur Toro. En dernier recours, adressez-vous à Toro Warranty Company.

Droits des consommateurs australiens : Les clients australiens trouveront des renseignements concernant le Droit australien de la consommation à l'intérieur du carton ou auprès de leur dépositaire Toro local.

*L'usage résidentiel normal désigne l'utilisation du produit sur le terrain où se trouve votre domicile. L'utilisation dans plusieurs lieux ou par des institutions ou la location est considérée comme un usage commercial, couvert par la garantie commerciale.

Ce que la garantie ne couvre pas

Il n'existe aucune autre garantie expresse, à part la garantie spéciale du système antipollution et du moteur pour certains produits. Cette garantie expresse ne couvre pas :

- Les frais normaux d'entretien et de remplacement de pièces, telles que les filtres, le carburant, les lubrifiants, les changements d'huile, les bougies, les filtres à air, l'affûtage des lames, les lames usées, le réglage des câbles/de la trianglerie ou le réglage des freins et de l'embrayage.
- Les défaillances de composants dues à une usure normale
- Les produits ou pièces ayant subi des modifications, de mauvais traitements ou un usage abusif, et nécessitant un remplacement ou une réparation en raison d'un accident ou d'un défaut d'entretien.
- Les frais de prise à domicile et de livraison.
- Les réparations ou tentatives de réparation par quiconque autre qu'un dépositaire-réparateur Toro agréé.
- Les réparations requises en raison du non respect de la procédure recommandée relative au carburant (consultez le *Manuel de l'utilisateur* pour plus de détails)
 - La décontamination du système d'alimentation n'est pas couverte.
 - L'utilisation de carburant trop ancien (vieux de plus d'un mois) ou de carburant contenant plus de 10 % d'éthanol ou plus de 15 % de MTBE
 - L'omission de la vidange du système d'alimentation avant toute période de non utilisation de plus d'un mois
- Les réparations ou réglages nécessaires pour corriger les problèmes de démarrage causés par :
 - le non-respect des procédures d'entretien correctes ou de la procédure recommandée relative au carburant
 - les dommages subis par la lame de la tondeuse qui heurte un obstacle
- Certaines conditions de démarrage exigent un ou plusieurs essais, notamment :
 - Le premier démarrage après une période de non utilisation de plus de trois mois ou après le remisage saisonnier
 - Les démarrages par temps froid, par exemple au début du printemps et à la fin de l'automne.
 - Les méthodes de démarrage incorrectes – si vous avez des difficultés à démarrer le moteur, vérifiez dans le *Manuel de l'utilisateur* que vous suivez bien les procédures de démarrage correctes. Vous éviterez peut-être ainsi une visite inutile chez un dépositaire-réparateur Toro agréé.

Conditions générales

Toutes les réparations couvertes par les présentes garanties doivent être effectuées par un dépositaire-réparateur Toro agréé, à l'aide de pièces de rechange agréées par Toro. La réparation par un dépositaire-réparateur Toro agréé est le seul dédommagement auquel cette garantie donne droit.

The Toro Company et Toro Warranty Company déclinent toute responsabilité en cas de dommages secondaires ou indirects liés à l'utilisation des produits Toro couverts par ces garanties, notamment quant aux coûts et dépenses encourus pour se procurer un équipement ou un service de substitution durant une période raisonnable pour cause de défaillance ou d'indisponibilité en attendant la réparation sous garantie.

L'exclusion de la garantie des dommages secondaires ou indirects n'est pas autorisée dans certains états ou pays, et peut donc ne pas s'appliquer dans votre cas.

Cette garantie vous accorde des droits spécifiques, auxquels peuvent s'ajouter d'autres droits qui varient selon les états.