



Count on it.

Parts Catalog

TimeCutter® SW 5425

Riding Mower

Model No. 74793—Serial No. 315000001 and Up



Ordering Replacement Parts

To order replacement parts, please supply the part number, the quantity, and the description of each part desired.

Understanding Reference Numbers

Each identified part in an illustration has a reference number. The reference number for a part also appears in the parts list, along with other information about the part.

This catalog uses two special reference number formats, one to indicate parts in a service assembly and another to indicate the quantity of a given part in an illustration.

Service Assembly Reference Numbers

Parts in service assemblies have reference numbers in the form a:b. The a represents the reference number of the entire service assembly and the b represents a sequential number unique to each part within the service assembly.

For example, a wheel assembly might be identified by reference number 6, the tire by 6:1, the valve by 6:2, and the wheel by 6:3. When you order the assembly identified by reference number 6, you receive all parts identified by reference numbers 6:1, 6:2, and 6:3. However, you may also order any part individually. Reference numbers of this type appear in illustration and in parts lists.

Reference Numbers Indicating Quantity

In an illustration, if a reference number indicates more than one part, the reference number has the form nX y. The n represents the quantity of the part, the X is the multiplication symbol, and the y represents the reference number.

For example, in an illustration, the reference number 2X 37 means that two of the parts identified by reference number 37 are indicated.

List of Abbreviations

AR: as required

ASM: assembly

BBC: blade brake control

BHTF: button head thread forming

CARR: carriage

CCW: counter clockwise

CW: clockwise

DEG: degrees

DPA: Dual Point Adjustment

ECM: electronic control module

EXT: external

FH: flat head

GA: gauge

HD: heavy-duty

HF: hex flange

HH: hex head

HHF: hex head flange

HHFTF: hex head flange thread forming

HJ: hex jam

HLH: hex lag head

HOC: height-of-cut

HP: high pressure

HSBH: hex socket button head

HSFH: hex socket flat head

HSH: hex socket head

HWH: hex washer head

HWHTF: hex washer head thread forming

HYD: hydraulic

LH: left hand

LP: low pressure

LPG: Liquefied Petroleum Gas

NI: nylon insert

NPTF: national pipe thread fine

PFH: phillips flat head

PPH: phillips pan head

PPHTF: phillips pan head thread forming

PRH: phillips round head

PTH: phillips truss head

PTO: power-take-off

RH: right hand

ROPS: roll-over protection system

RRB: rear roller brush

SFH: slotted fillister head

SHH: slotted hex head

SHWH: slotted hex washer head

SPH: slotted pan head

SQH: square head

SRH: slotted round head

STD: standard

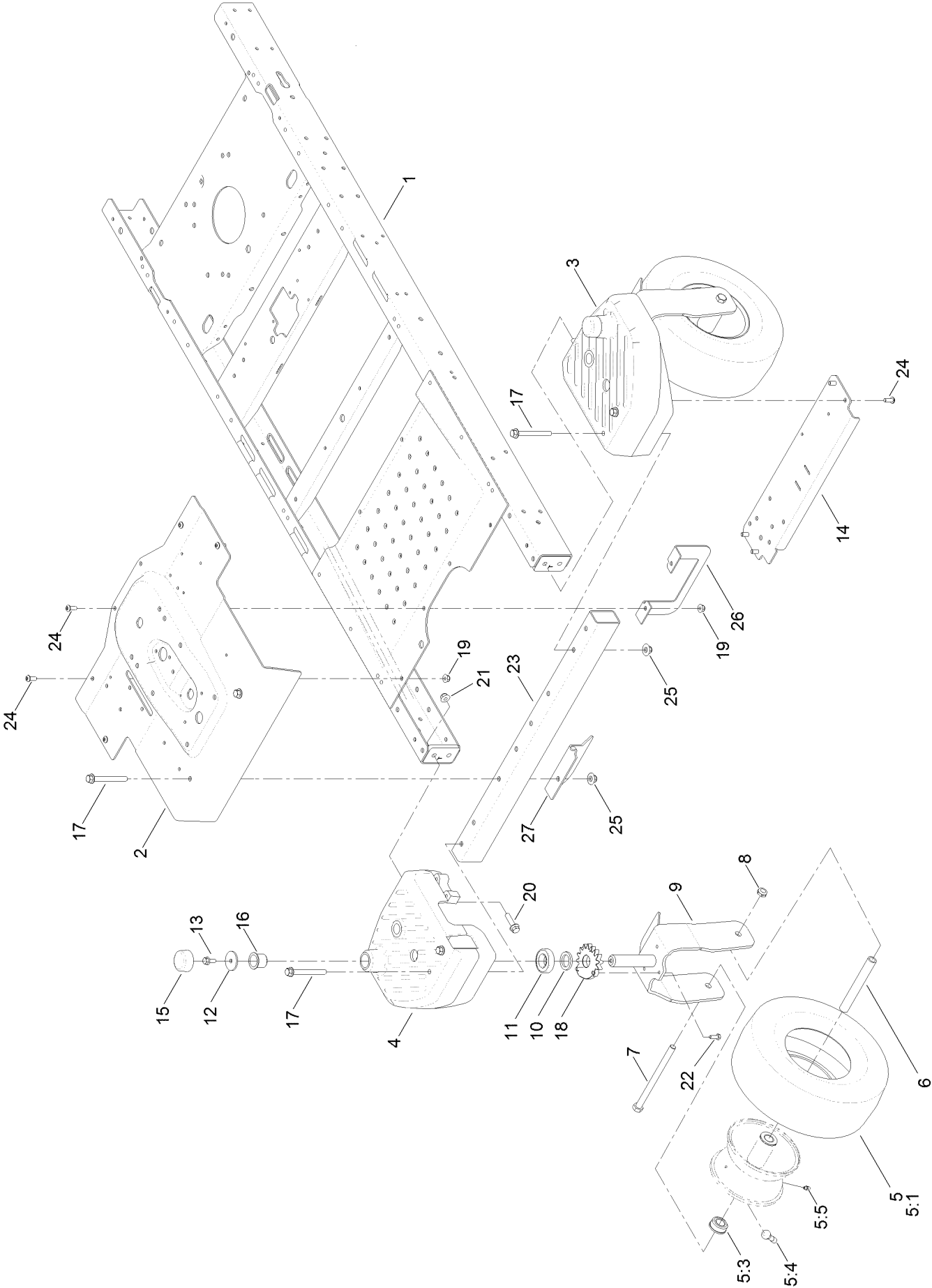
TAP: self tapping

TTH: torx truss head

Contents

Frame, Front Axle and Caster Wheel Assembly	4
Deck Lift Assembly.....	6
Steering Column Assembly	8
Speed Control Assembly.....	10
Steering Gear Assembly	12
Steering Wheel Assembly.....	14
Motion Control Assembly	16
Brake Assembly	18
Seat Assembly	20
Belt and Idler Assembly.....	22
Hydro Transaxle Drive and Rear Wheel Assembly	24
RH Transaxle Assembly No. 131-3641	26
LH Transaxle Assembly No. 131-3640.....	28
4 Ply Wheel and Tire Assembly No. 109-5268	30
2 Ply Wheel and Tire Assembly No. 131-3673	32
Clutch Assembly.....	34
Engine and Muffler Assembly.....	36
Fuel System Assembly Engine Assembly No. 127-9041	38
Carburetor Assembly Engine Assembly No. 127-9041	40
Air Intake and Filtration Assembly Engine Assembly No. 127-9041.....	42
Ignition and Electrical Engine Assembly No. 127-9041	44
Crankcase and Crankshaft Assembly Engine Assembly No. 127-9041	46
Governor Control Assembly Engine Assembly No. 127-9041.....	48
Piston and Cylinder Head Assembly Engine Assembly No. 127-9041.....	50
Blower Housing Assembly Engine Assembly No. 127-9041	52
Gasket and Seal Kit Engine Assembly No. 127-9041.....	54
Body Styling and Fuel Tank Assembly	56
Fuel Delivery Assembly.....	58
Battery and Electrical Assembly.....	60
Wire Harness Assembly	62
54 Inch Deck Assembly.....	64
54 Inch Deck Decal Assembly No. 130-7004	66
54 Inch Deck, Belt and Blade Assembly.....	68
Attachments and Accessories	70

Frame, Front Axle and Caster Wheel Assembly

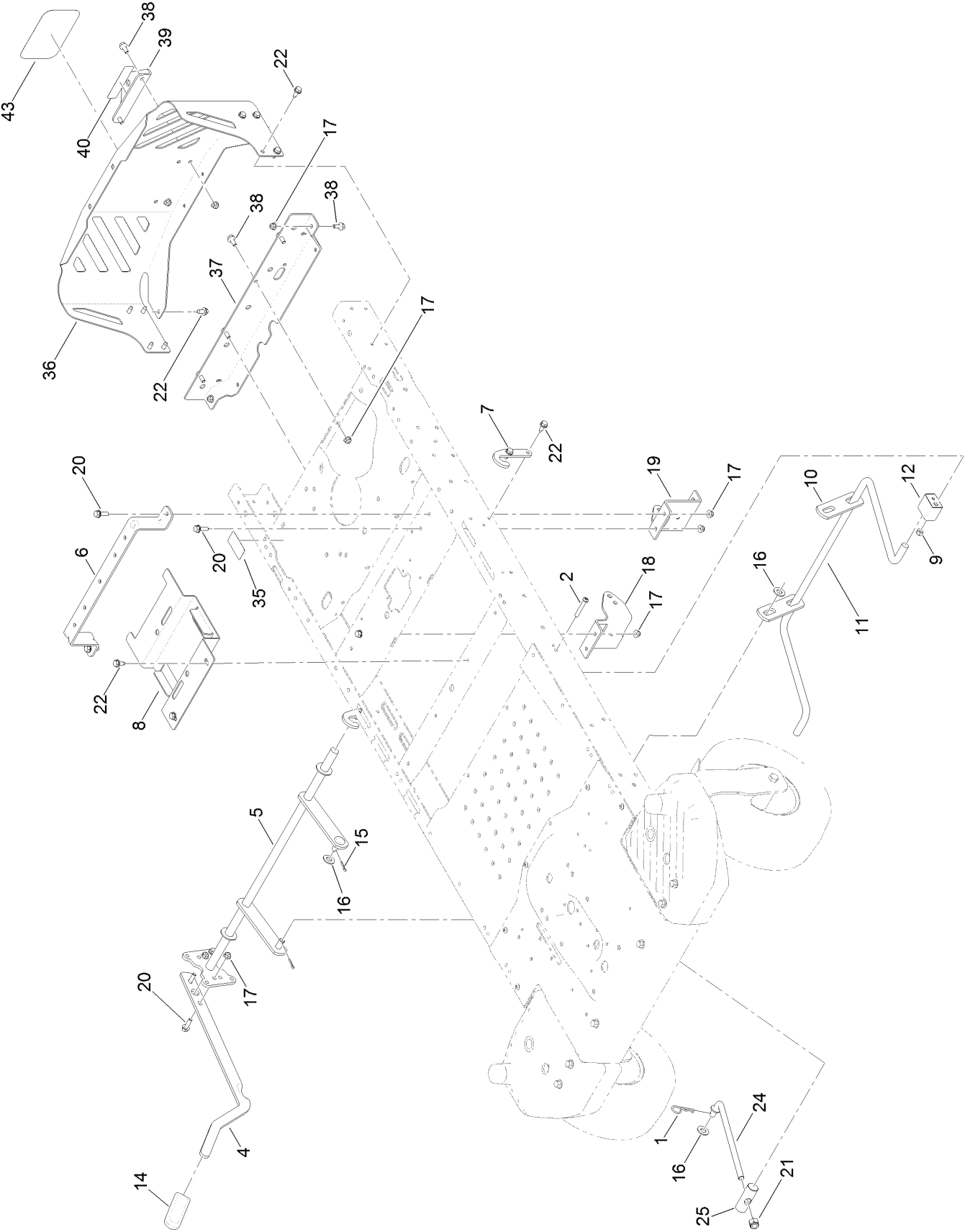


Frame, Front Axle and Caster Wheel Assembly (continued)

<i>Ref.</i>	<i>Part Number</i>	<i>Qty.</i>	<i>Description</i>	<i>Ref.</i>	<i>Part Number</i>	<i>Qty.</i>	<i>Description</i>
1	130-0805-01	1	Frame ASM (Wide)	12	131-1032	2	Washer-Flat
2	130-6930-05	1	Pan-Steer, Front (Wide)	13	3234-47	2	Screw-HHF
3	130-0748-05	1	Housing-Spindle, LH	14	130-6979-03	1	Plate-Bridge, Wide
4	130-0746-05	1	Housing-Spindle, RH	15	130-7015	2	Cap-Caster
5	119-3473	2	13 Inch Wheel And Tire ASM	16	126-1963	2	Bushing-Pivot
5:1	119-3471	1	Tire-13 Inch	17	115-7660	6	Screw-HHF
5:3	114-1640	2	Bushing-Flange	18	130-0689	2	Gear-Wheel, 15 Teeth
5:4	232-27	1	Stem-Valve	19	104-8300	6	Nut-Flange, NI
5:5	302-5	1	Fitting-Grease	20	114-4681	4	Screw-HHF
5:99	232-46	1	Tube ●	21	104-8301	4	Nut-Flange, NI
6	119-3475	2	Spanner	22	321-4	4	Screw-HH
7	325-37	2	Screw-HH	23	130-0829-03	1	Tube-Front, Wide
8	3296-45	2	Nut-Lock, NI	24	131-4080	10	Screw-HSBH
9	130-0670-03	2	Caster Fork ASM	25	109-6658	6	Nut-Flange, NI
10	117-7394	2	Washer-Thrust	26	131-7745-03	1	Bracket-Upstop
11	109-3678	2	Bearing-Ball	27	132-0868-03	1	Guard-Front

● Not illustrated

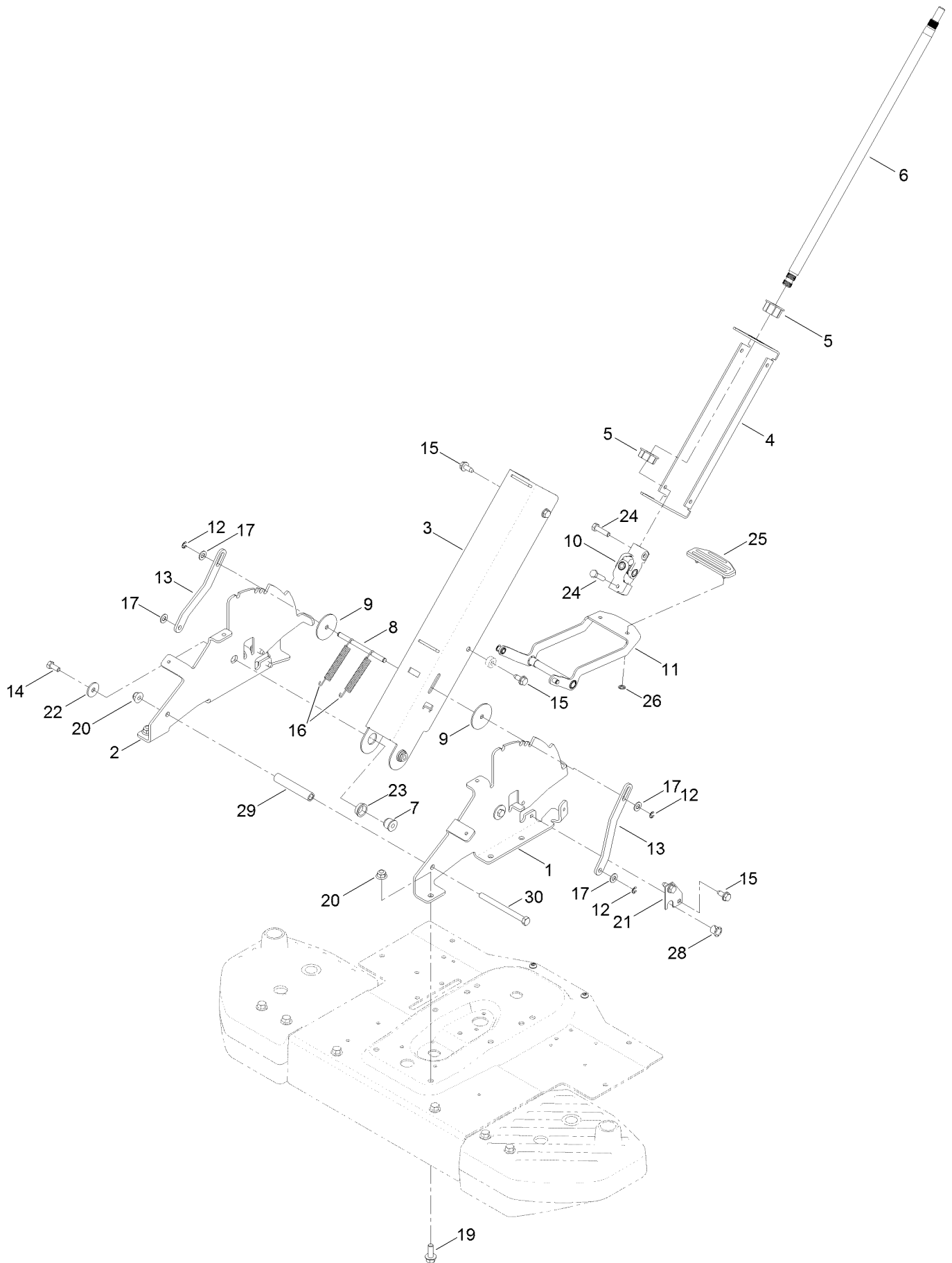
Deck Lift Assembly



Deck Lift Assembly (continued)

<i>Ref.</i>	<i>Part Number</i>	<i>Qty.</i>	<i>Description</i>	<i>Ref.</i>	<i>Part Number</i>	<i>Qty.</i>	<i>Description</i>
1	1-806005	1	Pin-Cotter	18	131-0901-01	1	Mount-Hydro, Front Right
2	120-5499	2	Screw-HSBH	19	131-0902-01	1	Mount-Hydro, Front Left
4	119-3427-03	1	Lever-Lift	20	3234-29	6	Screw-HHF
5	119-3424-03	1	Lift-Deck, Wide	21	3296-19	1	Nut-Hex
6	117-7337-03	1	Brace-Seat, Rear (Wide)	22	32144-70	16	Screw-HWHTF
7	119-8875	2	Bracket-Lift	24	131-3945	1	Rod-Mount, Deck
8	131-0914-03	1	Bracket-Battery	25	119-8810	1	Pin-Pivot
9	3296-29	2	Nut-Lock, NI	35	121-2989	2	Decal-Bypass
10	108-7840	2	Link-Lift	36	130-0701-03	1	Guard-Engine, Wide
11	119-3347	1	Arm-Lift, Rear (Wide)	37	130-6946-01	1	Crossmember-Rear, Wide
12	108-7845	2	Block-Pivot	38	3234-47	8	Screw-HHF
14	1-633268	1	Grip-Lever	39	117-1232-03	1	Bracket-Hitch
15	3272-11	2	Pin-Cotter	40	131-4036	1	Decal
16	3256-26	3	Washer-Flat	43	99-4693	1	Decal
17	104-8300	14	Nut-Flange, NI				

Steering Column Assembly

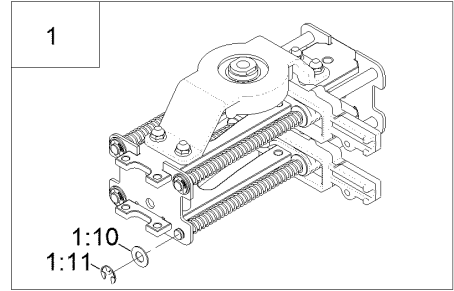
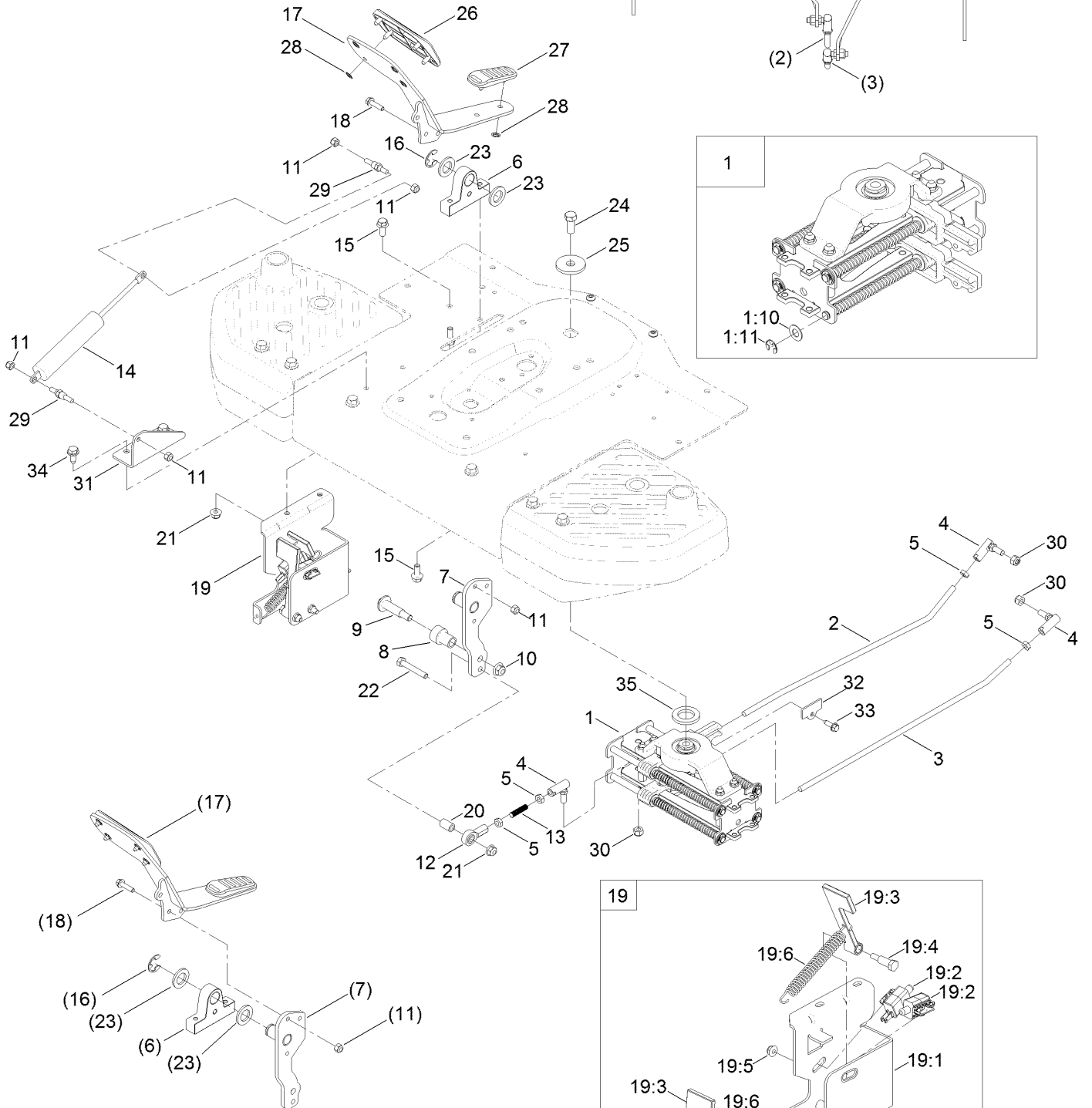
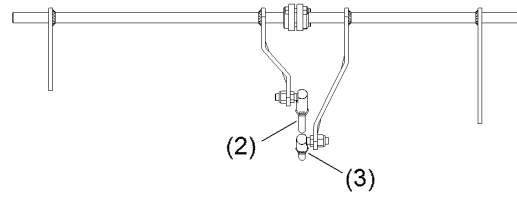


Steering Column Assembly (continued)

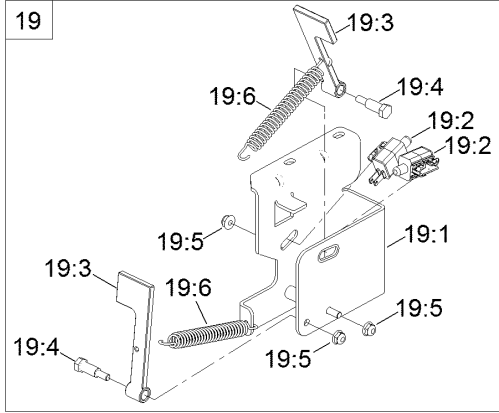
<i>Ref.</i>	<i>Part Number</i>	<i>Qty.</i>	<i>Description</i>	<i>Ref.</i>	<i>Part Number</i>	<i>Qty.</i>	<i>Description</i>
1	131-1052-03	1	Bracket-Pivot, Column (LH)	15	32144-70	8	Screw-HWHTF
2	131-1053-03	1	Bracket-Pivot, Column (RH)	16	130-6998	2	Spring-Extension
3	131-1054-01	1	Column-Front	17	3256-23	4	Washer-Flat
4	131-1055-01	1	Column-Back	19	3234-11	6	Screw-HHF
5	93-1146	2	Bushing-Steering, Upper	20	104-8301	7	Nut-Flange, NI
6	125-5507	1	Shaft-Steering, Upper	21	131-1043	2	Plate-Retainer
7	131-1056	2	Spacer-Pivot, Column	22	5-4460	2	Washer-Pivot
8	131-1050	1	Rod-Plunger	23	99-4243	2	Bushing-Flange
9	131-8729	2	Washer-Shaft, Tilt	24	322-6	2	Screw-HH
10	131-1030	1	U-Joint ASM	25	131-4096	1	Pad-Tilt Pedal
11	131-7726	1	Release Pedal ASM	26	32112-6	2	Nut-Push
12	701197	4	E-Ring	28	256-257	2	Bushing-Nyliner
13	131-1049	2	Plate-Plunger	29	131-3697	1	Spacer
14	322-3	2	Screw-HH	30	323-23	1	Screw-HH

Speed Control Assembly

BALLJOINT ORIENTATION
REAR VIEW



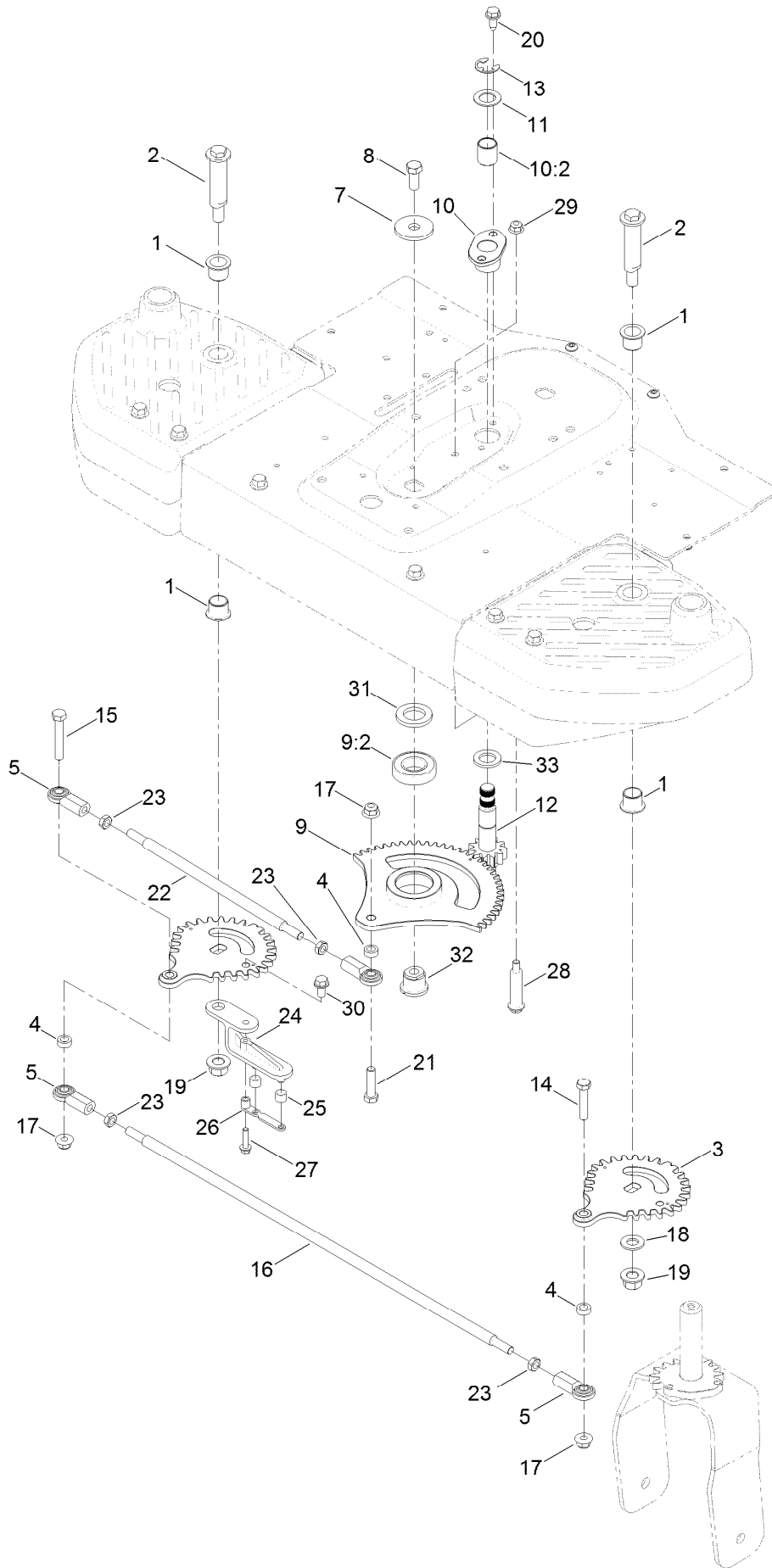
FOOT PEDAL ASSEMBLY



Speed Control Assembly (continued)

<i>Ref.</i>	<i>Part Number</i>	<i>Qty.</i>	<i>Description</i>	<i>Ref.</i>	<i>Part Number</i>	<i>Qty.</i>	<i>Description</i>
1	131-0904	1	Speed Control ASM	19:2	110-6765	2	Switch
1:10	131-8667	12	Washer-Thrust	19:3	130-0782	2	Arm-Switch
1:11	32120-18	8	E-Ring	19:4	119-2309	2	Bolt-Shoulder
2	127-0115	1	Rod-Hydro, RH	19:5	104-7201	3	Nut-Flange, NI
3	127-0116	1	Rod-Hydro, LH	19:6	120-7027	2	Spring-Extension
4	2411-33	3	Balljoint-RH (W/Grommet)	20	131-1034	1	Spacer
5	3220-2	4	Nut-Jam	21	104-8300	3	Nut-Flange, NI
6	130-6887	1	Mount-Pedal Pivot	22	322-10	1	Screw-HH
7	125-5517	1	Pivot Lever ASM	23	70-1160	2	Washer
8	127-3397	1	Roller	24	324-4	1	Screw-HH
9	56-6590	1	Bolt-Wheel	25	84-1560	1	Washer-Thrust
10	104-8301	1	Nut-Flange, NI	26	98-9040	1	Pad-Toe, Hydro Pedal
11	3296-42	6	Nut-Lock, NI	27	98-9039	1	Pad-Heel, Hydro Pedal
12	1-543017	1	Balljoint-RH	28	32112-6	6	Nut-Push
13	130-6906	1	Rod-Threaded	29	110-6810	2	Stud-Damper
14	131-0958	1	Damper-Non Cavitating	30	3296-4	3	Nut-Lock
15	3234-47	4	Screw-HHF	31	130-6910-03	1	Bracket-Damper
16	32151-48	1	E-Ring	32	131-1041	2	Cover-End Rod
17	125-3065-01	1	Traction Pedal ASM	33	32144-44	2	Screw-HWH, Thread Roll
18	120-4654	2	Screw-HHF	34	32144-70	2	Screw-HWHTF
19	131-0903	1	Neutral Return ASM	35	131-8736	1	Spacer-Bearing
19:1	130-0787-03	1	Bracket-Switch				

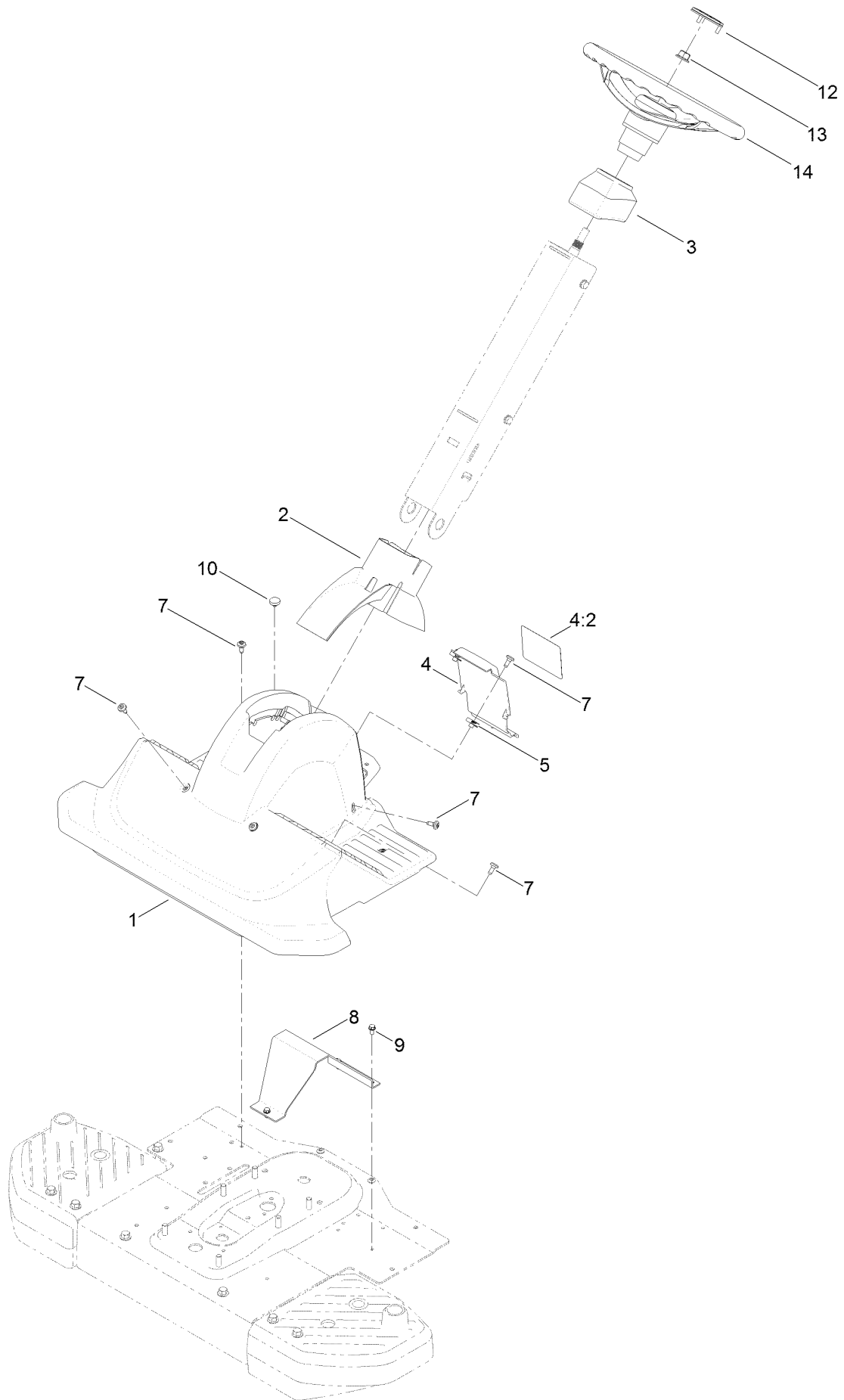
Steering Gear Assembly



Steering Gear Assembly (continued)

<i>Ref.</i>	<i>Part Number</i>	<i>Qty.</i>	<i>Description</i>	<i>Ref.</i>	<i>Part Number</i>	<i>Qty.</i>	<i>Description</i>
1	103-4398	4	Bearing-Flange, Iglide	17	104-8301	3	Nut-Flange, NI
2	131-1031	2	Bolt-Shoulder	18	3256-26	1	Washer-Flat
3	130-0830	2	Gear-Wheel, 30 Teeth	19	99-5107	2	Nut-Lock
4	83-1050	3	Spacer	20	32144-70	2	Screw-HWHTF
5	103-0608	4	Joint-Ball, End	21	323-8	1	Screw-HH
7	84-1560	1	Washer-Thrust	22	131-1037	1	Rod-Steering, Wide
8	324-4	1	Screw-HH	23	3220-3	4	Nut-HJ
9	131-8731	1	Sector Gear ASM	24	130-6878	1	Lever-Cable
9:2	109-3678	1	Bearing-Ball	25	131-3951	2	Bushing
10	131-8733	1	Flange Bearing ASM	26	131-3950	1	Strap-Roller
10:2	115-7019	1	Bushing-Straight	27	32144-86	1	Screw-HWHTF
11	119-7640	1	Washer-Thrust	28	100-9880	1	Bolt-Shoulder
12	125-5508	1	Lower Steering Shaft ASM	29	104-8300	1	Nut-Flange, NI
13	32151-48	1	E-Ring	30	32144-14	1	Screw-HWHTF
14	323-9	1	Screw-HH	31	131-8736	1	Spacer-Bearing
15	323-11	1	Screw-HH	32	131-8737	1	Pivot-Bearing
16	130-6986	1	Rod-Cross, Wide	33	70-1160	1	Washer

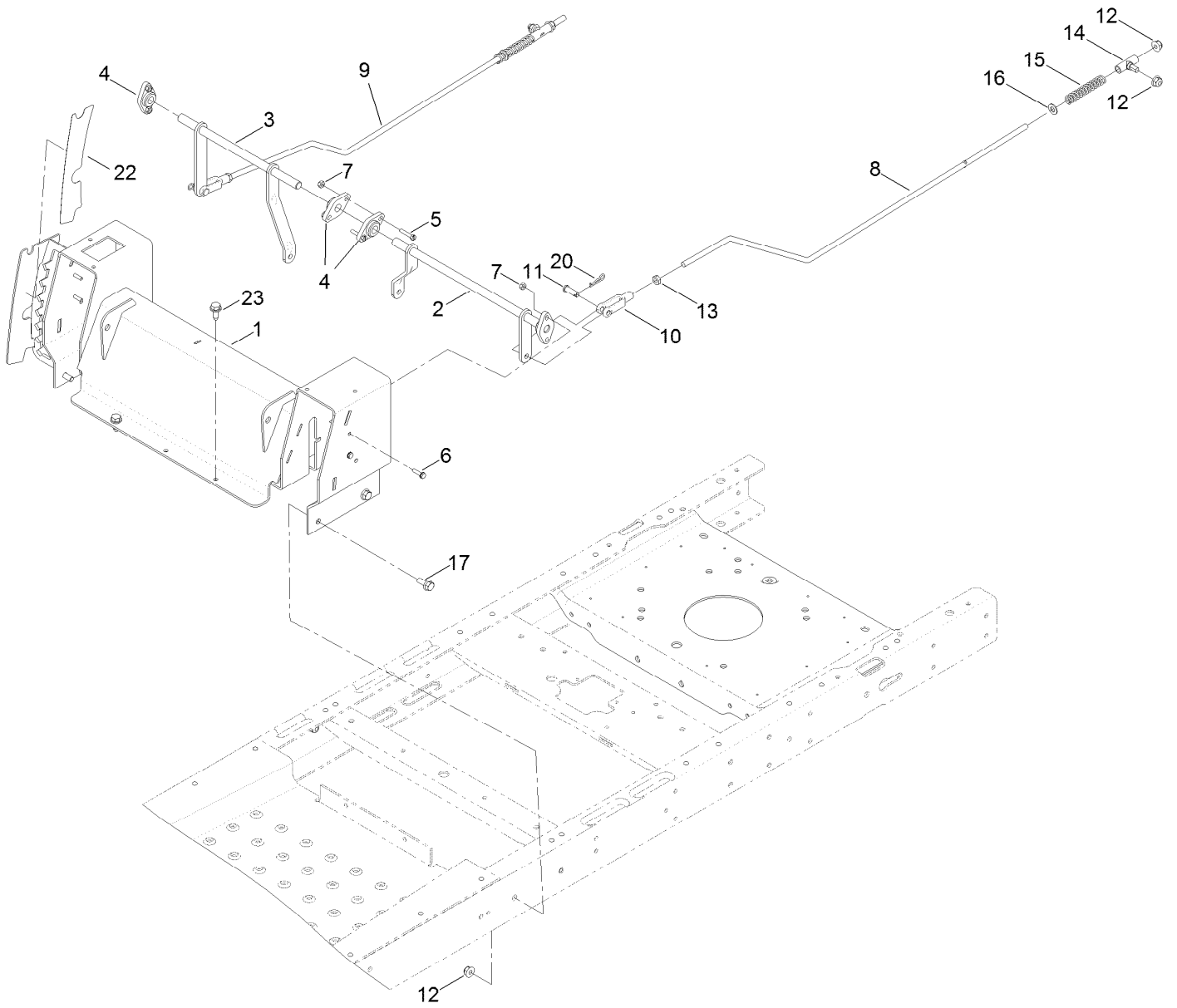
Steering Wheel Assembly



Steering Wheel Assembly (continued)

<i>Ref.</i>	<i>Part Number</i>	<i>Qty.</i>	<i>Description</i>	<i>Ref.</i>	<i>Part Number</i>	<i>Qty.</i>	<i>Description</i>
1	131-1070	1	Shroud	8	131-1029-03	1	Support-Footrest
2	131-1028	1	Cover-Pivot, Column	9	32144-4	3	Screw-HWH
3	131-1066	1	Cap-Column	10	1-513658	1	Bumper
4	131-4099	1	Rear Cover And Decal ASM	12	131-3630	1	Cap-Wheel, Steering
4:2	132-0870	1	Decal-Danger	13	99-5107	1	Nut-Lock
5	107069	2	Clip	14	131-0957	1	Wheel-Steering
7	120-7950	9	Screw-Shoulder				

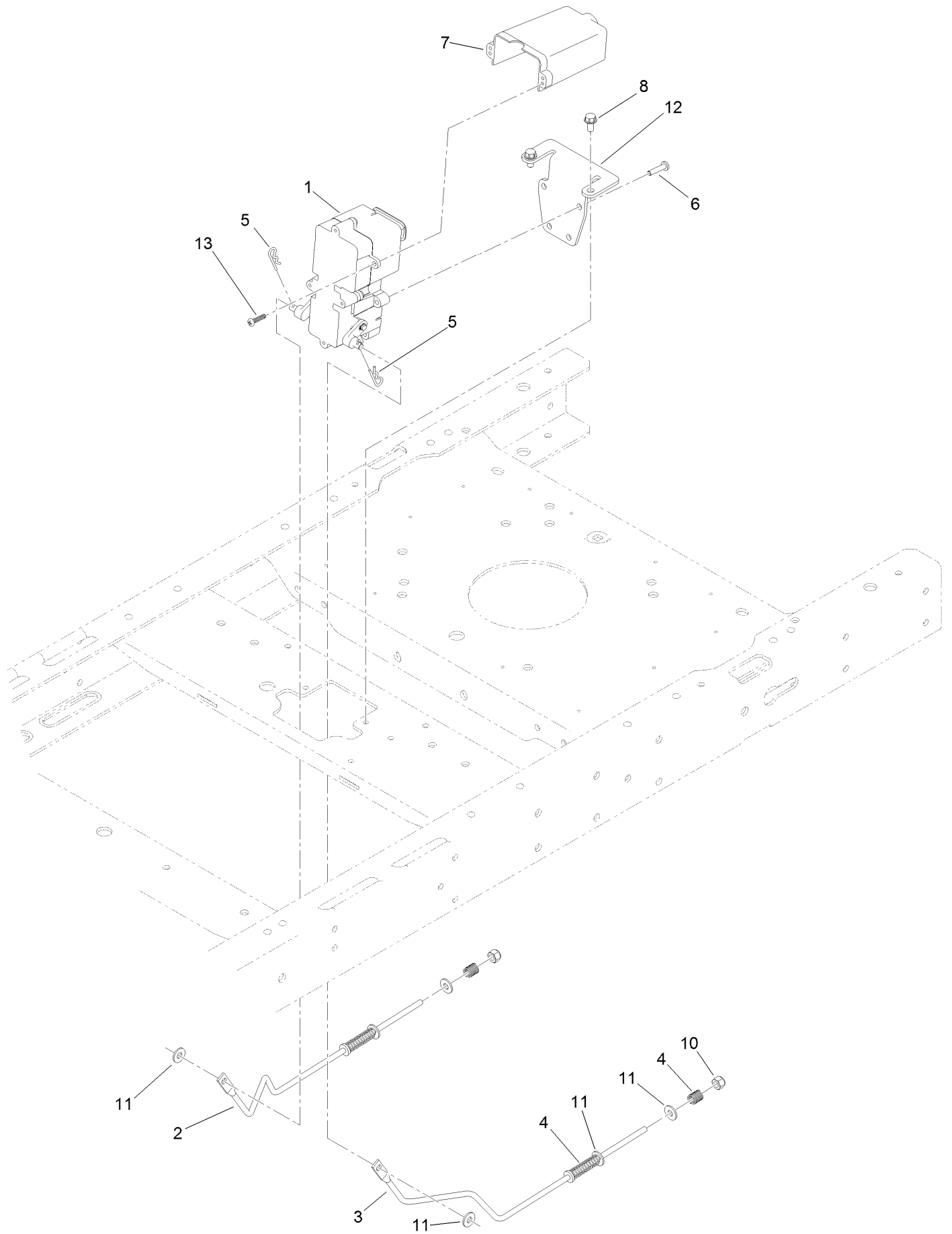
Motion Control Assembly



Motion Control Assembly (continued)

<i>Ref.</i>	<i>Part Number</i>	<i>Qty.</i>	<i>Description</i>	<i>Ref.</i>	<i>Part Number</i>	<i>Qty.</i>	<i>Description</i>
1	125-5458-03	1	Box-Control, Wide	11	1-808280	2	Pin-Clevis
2	127-0138	1	Bellcrank-LH, Wide	12	104-8300	8	Nut-Flange, NI
3	127-0134	1	Bellcrank-RH, Wide	13	3220-2	2	Nut-Jam
4	127-0146	4	Bearing- Flange	14	119-8842	2	Mount-Rod, Hydro
5	32105-12	2	Screw	15	1-603807	2	Spring-Return, Neutral
6	3290-126	4	Screw-HWH	16	3256-23	2	Washer-Flat
7	3296-2	6	Nut-Lock, NI	17	3234-47	4	Screw-HHF
8	125-1812	1	Rod-Hydro, LH	20	1-806003	2	Pin-Cotter
9	127-3378	1	Rod-Hydro, RH	22	119-8870	1	Decal-HOC
10	1-303105	2	Yoke-Adjustable	23	32144-70	2	Screw-HWHTF

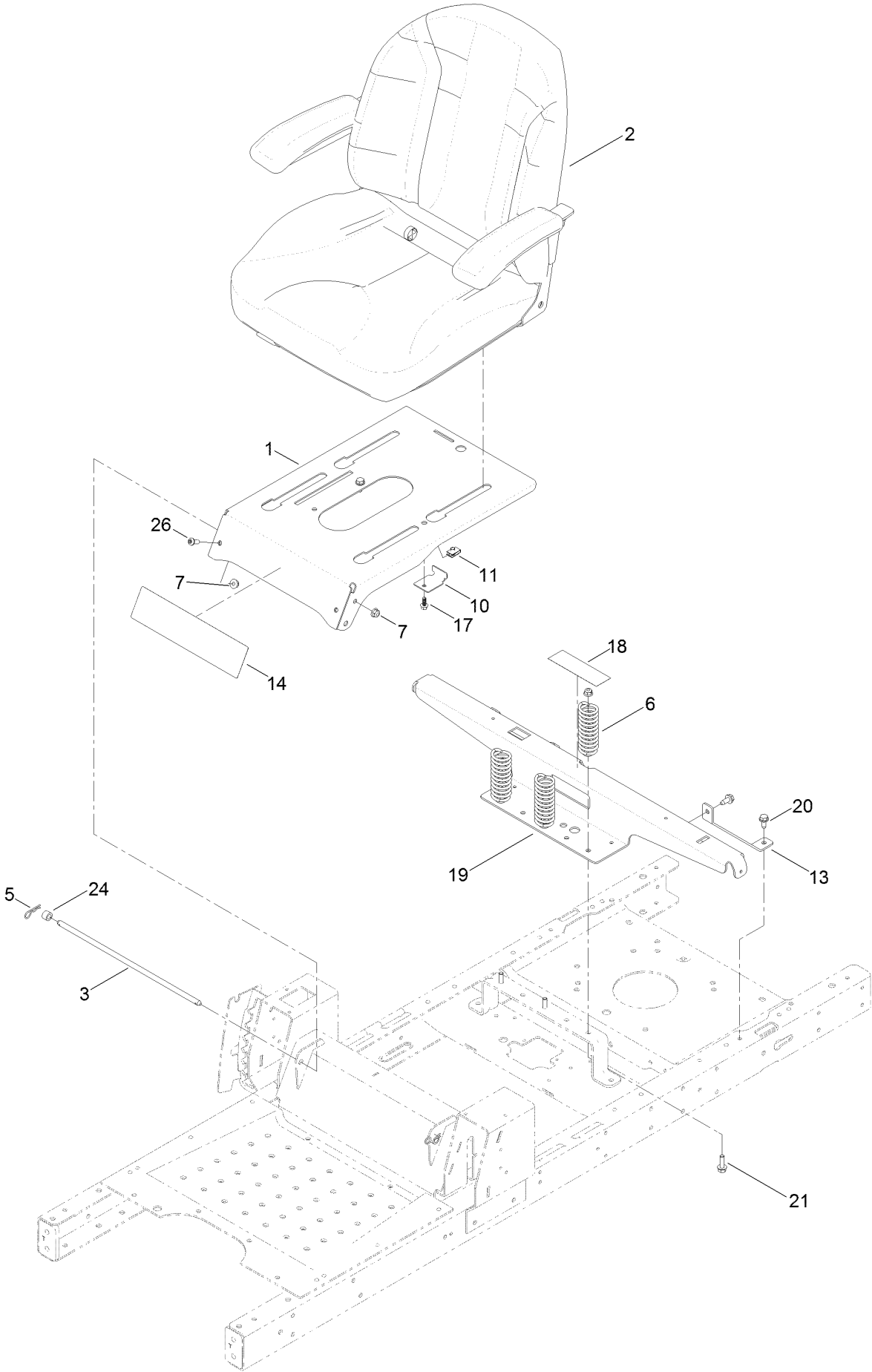
Brake Assembly



Brake Assembly (continued)

<i>Ref.</i>	<i>Part Number</i>	<i>Qty.</i>	<i>Description</i>	<i>Ref.</i>	<i>Part Number</i>	<i>Qty.</i>	<i>Description</i>
1	130-0795	1	Brake Box ASM	7	130-6974	1	Cover-Connector
2	121-2976	1	Rod-Brake, Wide (RH)	8	32144-4	2	Screw-HWH
3	121-2977	1	Rod-Brake, Wide (LH)	10	3296-42	2	Nut-Lock, NI
4	117-1169	4	Spring-Compression	11	119-8952	6	Washer
5	3290-307	2	Pin-Cotter	12	130-0790-03	1	Bracket-Mount, Brake
6	32144-36	4	Screw-PPH	13	94-4496	2	Screw-PPH

Seat Assembly



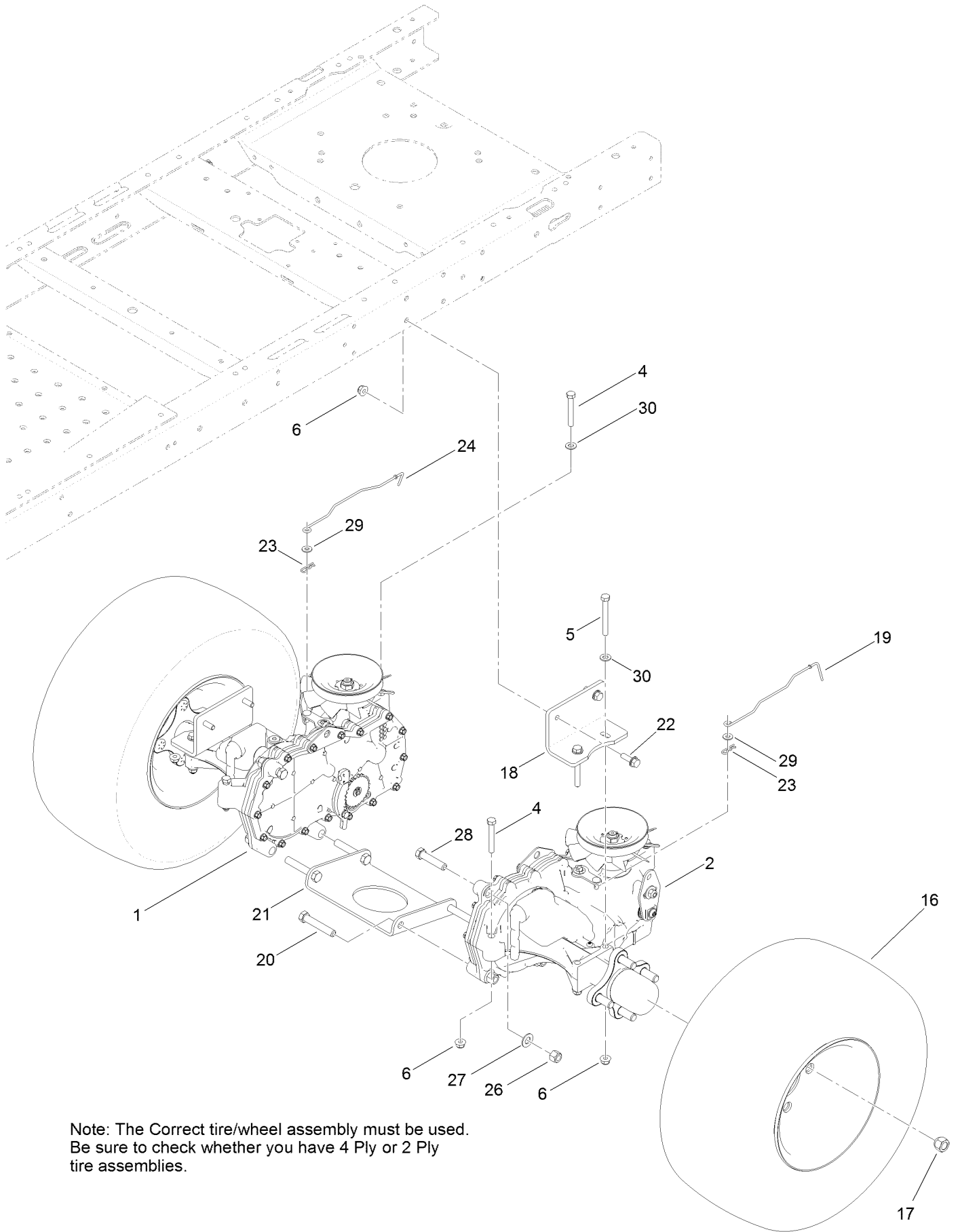
Seat Assembly (continued)

<i>Ref.</i>	<i>Part Number</i>	<i>Qty.</i>	<i>Description</i>	<i>Ref.</i>	<i>Part Number</i>	<i>Qty.</i>	<i>Description</i>
1	130-7035-03	1	Pan-Seat	14	132-0888	1	Decal-Timecutter Sw 5425
2	130-6920	1	Seat ASM	17	99-6810	1	Screw-HHF
3	115-4966	1	Rod-Stop	18	106-8717	1	Decal-Service
5	3290-250	2	Pin-Cotter	19	131-1039-03	1	Support-Pod, Wide
6	92-7054	3	Spring-Compression	20	32144-70	6	Screw-HWHTF
7	104-8300	5	Nut-Flange, NI	21	3234-29	3	Screw-HHF
10	131-1038	1	Bracket-Stop, Seat	24	1-413088	2	Bushing-Lever, Lift
11	107069	1	Clip	26	131-4080	2	Screw-HSBH
13	119-3431-03	2	Support-Tank, Rear				

Belt and Idler Assembly (continued)

<i>Ref.</i>	<i>Part Number</i>	<i>Qty.</i>	<i>Description</i>	<i>Ref.</i>	<i>Part Number</i>	<i>Qty.</i>	<i>Description</i>
3	3230-8	1	Screw-CARR	11	119-8822	1	Pulley-Idler
6	104-8300	2	Nut-Flange, NI	12	106-2176	1	Pulley-Idler
7	322-7	1	Screw-HH	13	119-3326	1	Arm-Idler
8	104-6415	1	Spring-Return, Pedal	14	119-3353	1	Spacer
9	5-4460	1	Washer-Pivot	15	119-3327	1	Spacer-Arm, Idler
10	130-6976	1	V-Belt	25	3256-3	1	Washer-Flat

Hydro Transaxle Drive and Rear Wheel Assembly



Note: The Correct tire/wheel assembly must be used. Be sure to check whether you have 4 Ply or 2 Ply tire assemblies.

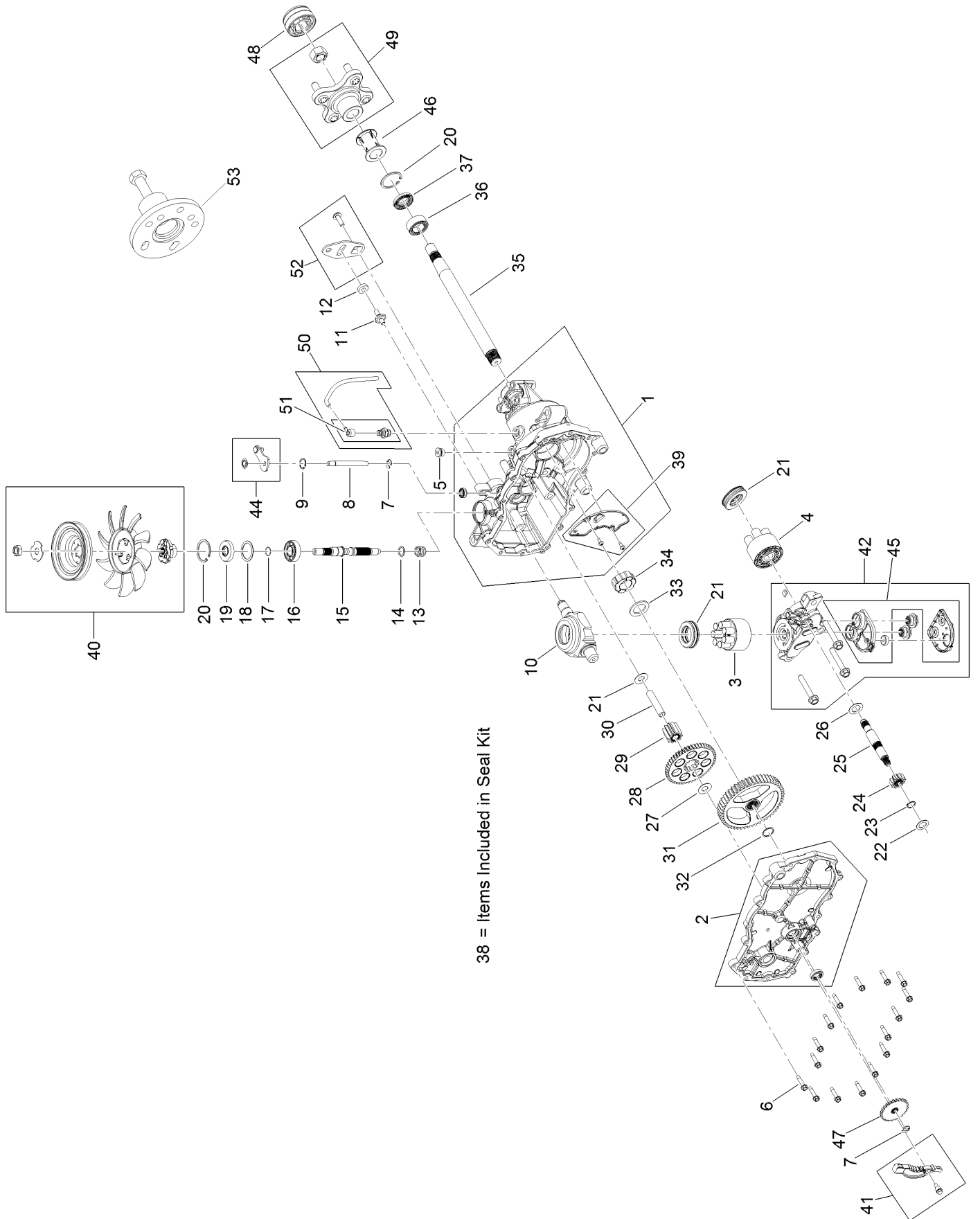
Hydro Transaxle Drive and Rear Wheel Assembly (continued)

<i>Ref.</i>	<i>Part Number</i>	<i>Qty.</i>	<i>Description</i>	<i>Ref.</i>	<i>Part Number</i>	<i>Qty.</i>	<i>Description</i>
1	131-3641	1	RH Hydro Transmission ASM	19	131-0900	1	Rod-Bypass, LH
2	131-3640	1	LH Hydro Transmission ASM	20	324-10	4	Screw-HH
4	322-11	4	Screw-HH	21	119-3342-03	1	Cross Plate-Hydro
5	322-13	4	Screw-HH	22	3234-29	4	Screw-HHF
6	104-8300	12	Nut-Flange, NI	23	3290-307	2	Pin-Cotter
16	109-5268	2	4 Ply Wheel And Tire ASM	24	130-7049	1	Rod-Bypass, RH
16	131-3673	2	2 Ply Wheel And Tire ASM	26	3296-48	6	Nut-Lock, NI
17	242-50	8	Nut-Lug	27	3256-25	6	Washer-Flat
18	117-7264-03	2	Mount-Hydro	28	324-8	2	Screw-HH
				29	119-8952	2	Washer
				30	3256-23	6	Washer-Flat

RH Transaxle Assembly No. 131-3641 (continued)

<i>Ref.</i>	<i>Part Number</i>	<i>Qty.</i>	<i>Description</i>	<i>Ref.</i>	<i>Part Number</i>	<i>Qty.</i>	<i>Description</i>
1	106-8674	1	Main Housing ASM	27	94-1933	2	Washer
2	106-8675	1	Side ASM	28	132-0911	1	Gear-49T
3	110-8561	1	Pump Block ASM	29	104-5318	1	Gear-Jackshaft, 10T
4	103-2666	1	Cylinder Block Kit	30	104-5329	1	Pin-Jackshaft
5	104-2189	1	Plug-Thread, Straight	31	112-9854	1	Ring-Spiral, Retaining
6	117-5359	16	Screw-HHF	32	112-9855	1	Gear-52T, Bull
7	106-8677	2	Ring-Retaining, EXT	33	112-9856	1	Washer
8	106-8678	1	Rod-Bypass	34	112-9857	1	Bearing-Sleeve
9	106-8679	1	Ring-Retaining, Int	35	120-7104	1	Shaft-Axle
10	104-5304	1	Swashplate-Trunnion	36	112-9859	1	Bushing-Axle
11	104-2116	1	Stud	37	112-9860	1	Seal-Lip
12	112-9853	1	Puck-Friction	38	106-8686	1	Seal Kit
13	94-1936	1	Spring-Block	39	106-8687	1	Expansion Plate Kit
14	94-1937	1	Washer-Thrust	40	121-5746	1	Fan Pulley Kit
15	104-5306	1	Shaft-Input	41	106-8688	1	Brake Arm Kit
16	104-5311	1	Bearing-Ball	42	112-9862	1	Center Section Filter Kit
17	104-5307	1	Ring-Retaining	44	107-2489	1	Bypass Arm Kit
18	104-5308	1	Spacer	45	114-1634	1	Filter Kit
19	104-5310	1	Seal-Lip	46	120-7109	1	Tube-Axle
20	104-5309	2	Ring-Retaining	47	106-8694	1	Disc-Brake, Cog
21	94-6922	2	Bearing-Thrust	48	115-5057	1	Cover-Nut, Axle
22	104-5339	1	Washer-Flat	49	109-5939	1	Hub Kit
23	104-5340	1	Ring-Retaining	50	112-9866	1	Breather Kit
24	132-0912	1	Gear-12T	51	114-1635	1	Breather ASM
25	106-8683	1	Shaft-Motor	52	117-5362	1	Arm Control Kit
26	104-5360	1	Washer	53	114-8467	1	Hub-Puller, 4 Bolt

LH Transaxle Assembly No. 131-3640

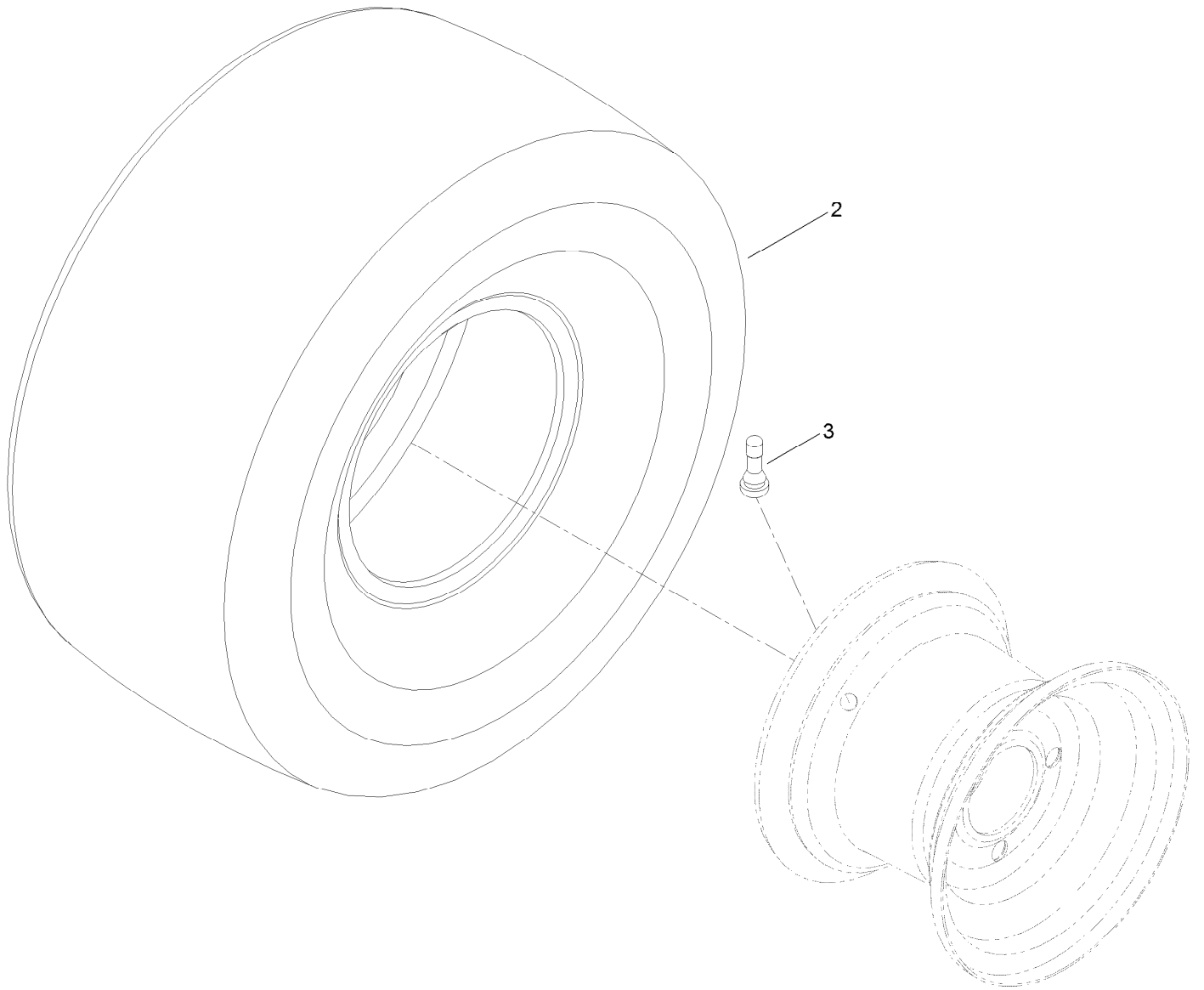


38 = Items Included in Seal Kit

LH Transaxle Assembly No. 131-3640 (continued)

<i>Ref.</i>	<i>Part Number</i>	<i>Qty.</i>	<i>Description</i>	<i>Ref.</i>	<i>Part Number</i>	<i>Qty.</i>	<i>Description</i>
1	106-8695	1	Main Housing ASM	27	94-1933	2	Washer
2	106-8696	1	Side ASM	28	132-0911	1	Gear-49T
3	110-8561	1	Pump Block ASM	29	104-5318	1	Gear-Jackshaft, 10T
4	103-2666	1	Cylinder Block Kit	30	104-5329	1	Pin-Jackshaft
5	104-2189	1	Plug-Thread, Straight	31	112-9854	1	Ring-Spiral, Retaining
6	117-5359	16	Screw-HHF	32	112-9855	1	Gear-52T, Bull
7	106-8677	2	Ring-Retaining, EXT	33	112-9856	1	Washer
8	106-8678	1	Rod-Bypass	34	112-9857	1	Bearing-Sleeve
9	106-8679	1	Ring-Retaining, Int	35	120-7104	1	Shaft-Axle
10	104-5304	1	Swashplate-Trunnion	36	112-9859	1	Bushing-Axle
11	104-2116	1	Stud	37	112-9860	1	Seal-Lip
12	112-9853	1	Puck-Friction	38	106-8686	1	Seal Kit
13	94-1936	1	Spring-Block	39	106-8697	1	Expansion Plate Kit
14	94-1937	1	Washer-Thrust	40	121-5746	1	Fan Pulley Kit
15	104-5306	1	Shaft-Input	41	106-8688	1	Brake Arm Kit
16	104-5311	1	Bearing-Ball	42	112-9861	1	Center Section Filter Kit
17	104-5307	1	Ring-Retaining	44	120-5549	1	Bypass Kit
18	104-5308	1	Spacer	45	114-1634	1	Filter Kit
19	104-5310	1	Seal-Lip	46	120-7109	1	Tube-Axle
20	104-5309	2	Ring-Retaining	47	106-8694	1	Disc-Brake, Cog
21	94-6922	2	Bearing-Thrust	48	115-5057	1	Cover-Nut, Axle
22	104-5339	1	Washer-Flat	49	109-5939	1	Hub Kit
23	104-5340	1	Ring-Retaining	50	112-9866	1	Breather Kit
24	132-0912	1	Gear-12T	51	114-1635	1	Breather ASM
25	106-8683	1	Shaft-Motor	52	117-5362	1	Arm Control Kit
26	104-5360	1	Washer	53	114-8467	1	Hub-Puller, 4 Bolt

4 Ply Wheel and Tire Assembly No. 109-5268

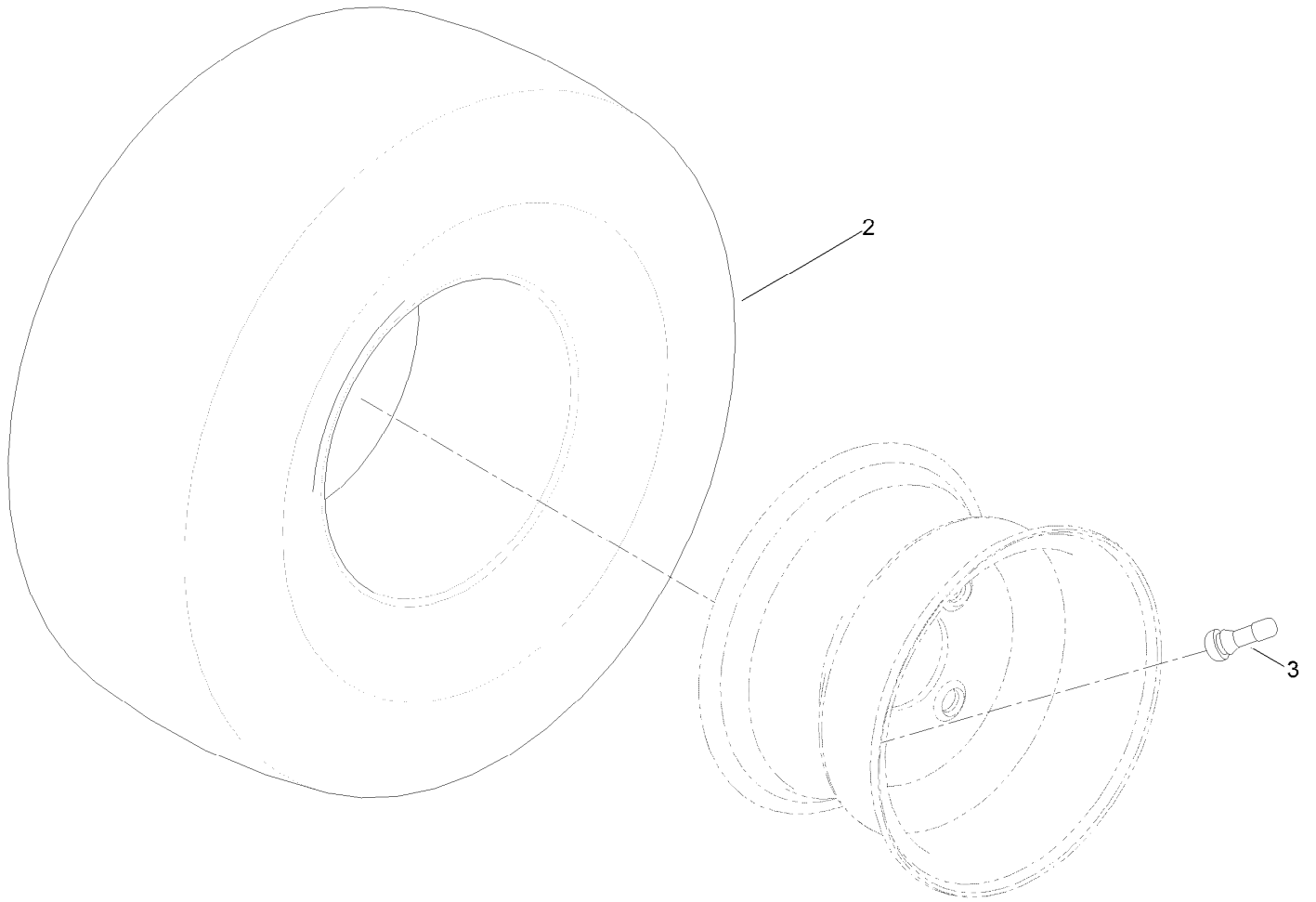


4 Ply Wheel and Tire Assembly No. 109-5268 (continued)

<i>Ref.</i>	<i>Part Number</i>	<i>Qty.</i>	<i>Description</i>
2	109-5269	1	Tire-4 Ply
3	232-27	1	Stem-Valve
4	93-3893	1	Tube-Inner ●

● Not illustrated

2 Ply Wheel and Tire Assembly No. 131-3673

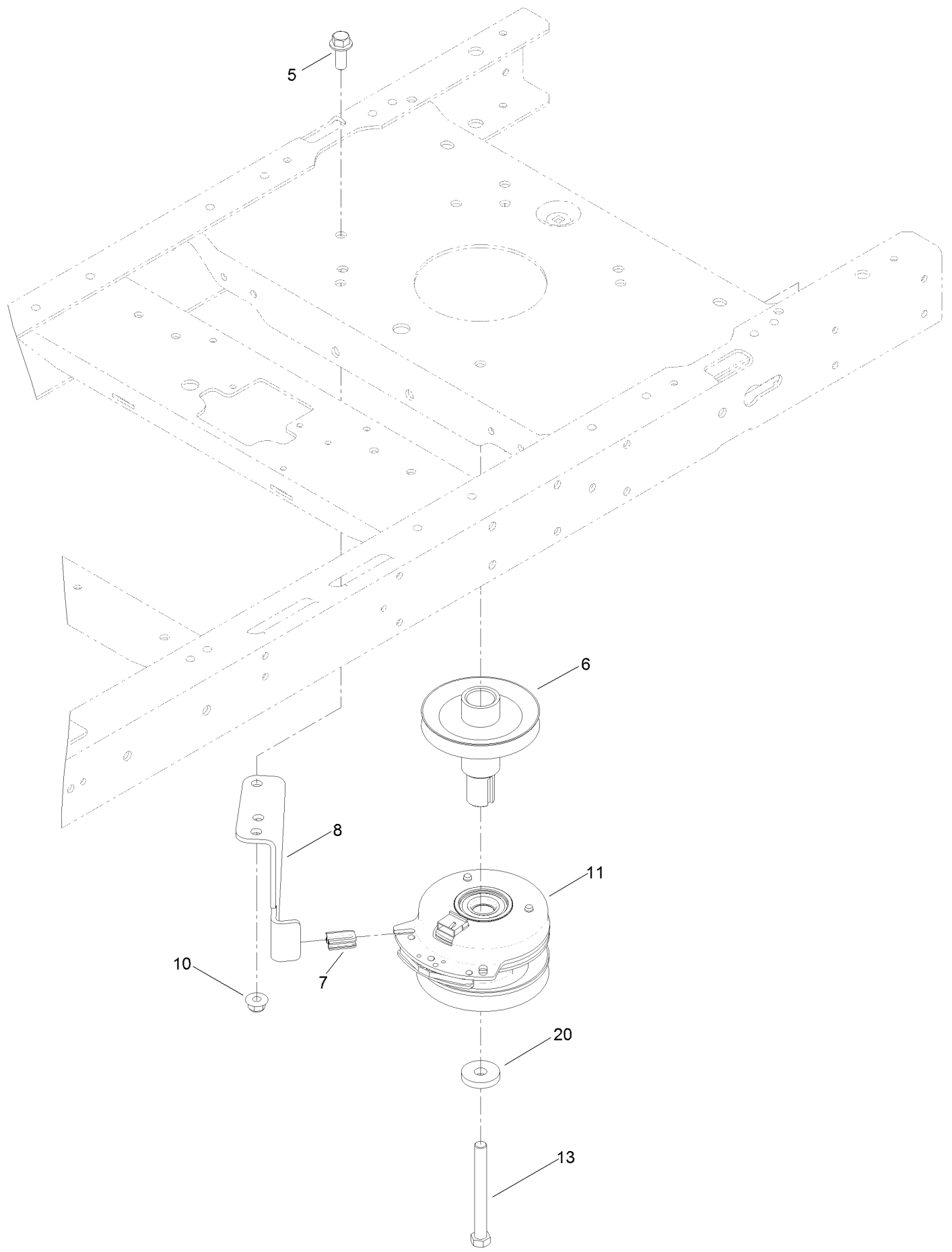


2 Ply Wheel and Tire Assembly No. 131-3673 (continued)

<i>Ref.</i>	<i>Part Number</i>	<i>Qty.</i>	<i>Description</i>
2	131-3680	1	Tire-2 Ply
3	232-27	1	Stem-Valve
4	93-3893	1	Tube-Inner ●

● Not illustrated

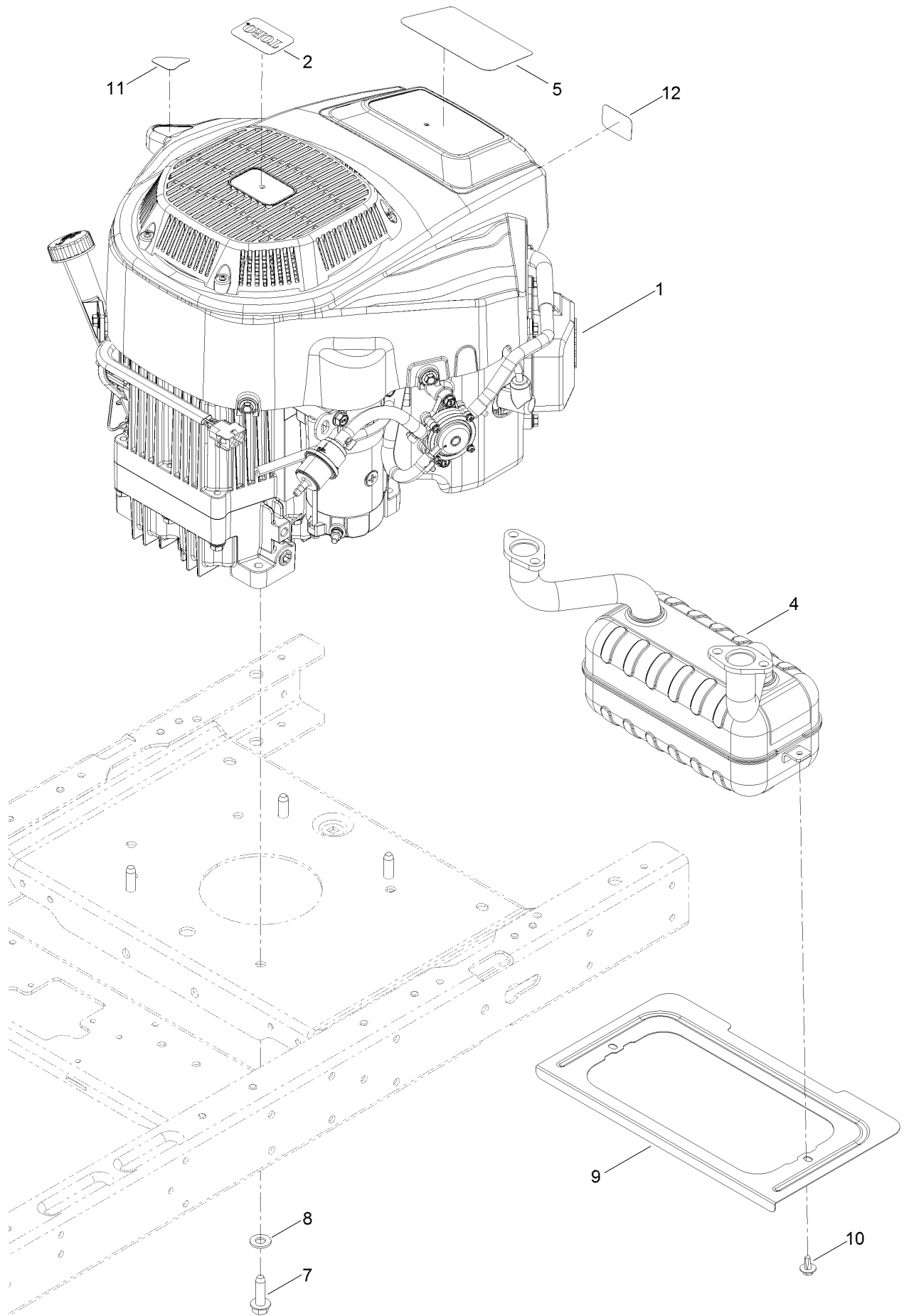
Clutch Assembly



Clutch Assembly (continued)

<i>Ref.</i>	<i>Part Number</i>	<i>Qty.</i>	<i>Description</i>	<i>Ref.</i>	<i>Part Number</i>	<i>Qty.</i>	<i>Description</i>
5	3234-42	1	Screw-HHF	10	104-8301	1	Nut-Flange, NI
6	130-6854	1	Pulley-Engine	11	127-3410	1	Clutch-PTO
7	120-2217	1	Isolator-Clutch	13	3212-19	1	Screw-HH
8	119-8885	1	Stop-Clutch	20	112843	1	Washer

Engine and Muffler Assembly

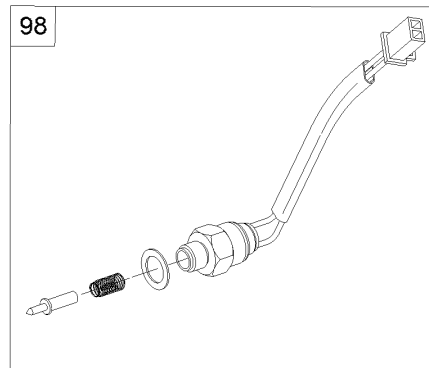
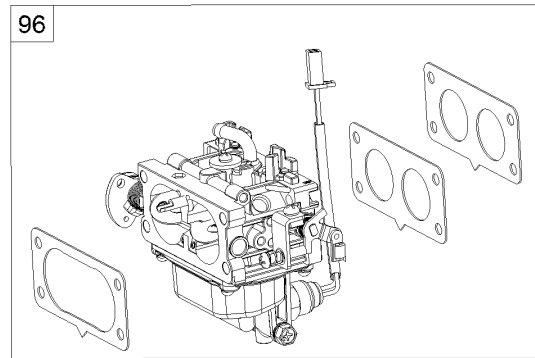
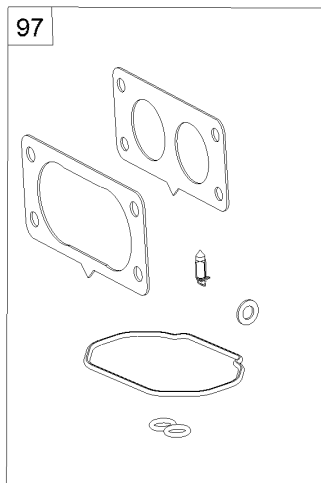
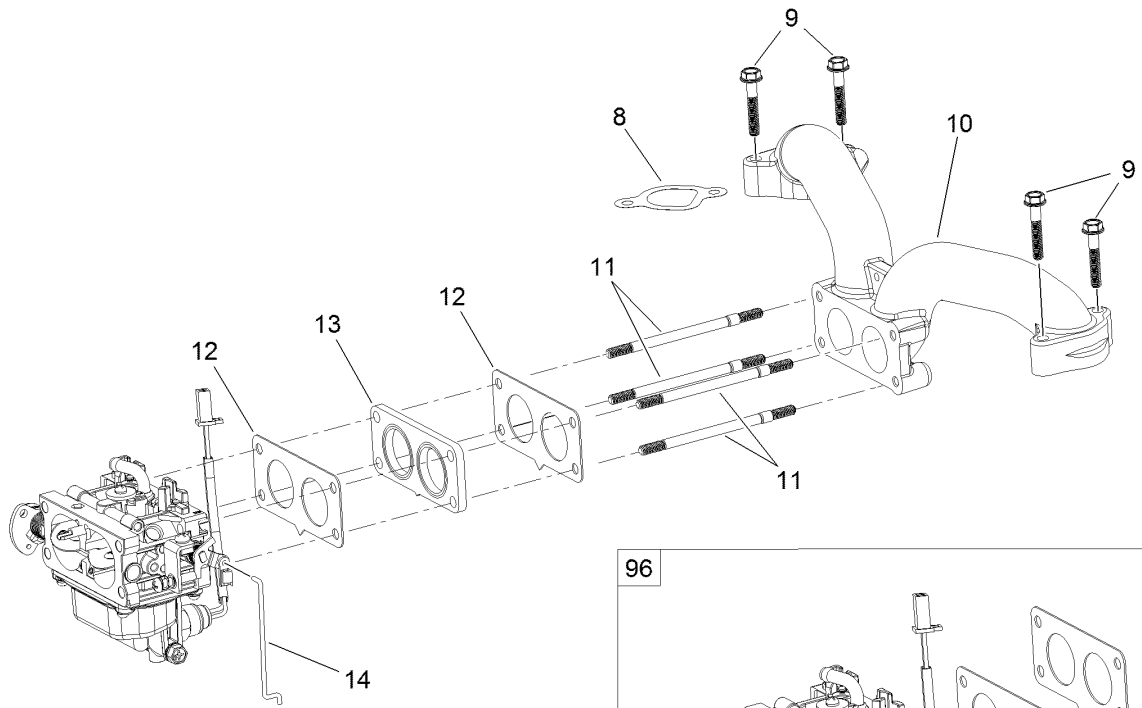
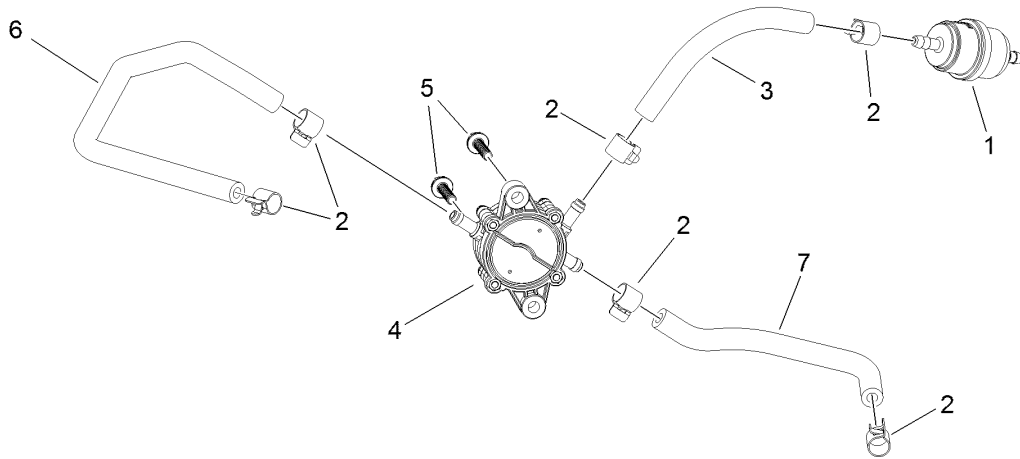


Engine and Muffler Assembly (continued)

<i>Ref.</i>	<i>Part Number</i>	<i>Qty.</i>	<i>Description</i>	<i>Ref.</i>	<i>Part Number</i>	<i>Qty.</i>	<i>Description</i>
1	127-9041	1	Engine-Lc2P77F	8	3256-24	3	Washer-Flat
2	131-4157	1	Decal	9	131-1071-03	1	Shield-Heat
4	131-4188	1	Muffler	10	46-8560	2	Screw-HHFTF
5	132-0902	1	Decal-Engine	11	131-1097	1	Decal-Drain, Oil
7	32144-109	4	Screw-Taptite	12	127-9076	1	Placard

Fuel System Assembly

Engine Assembly No. 127-9041



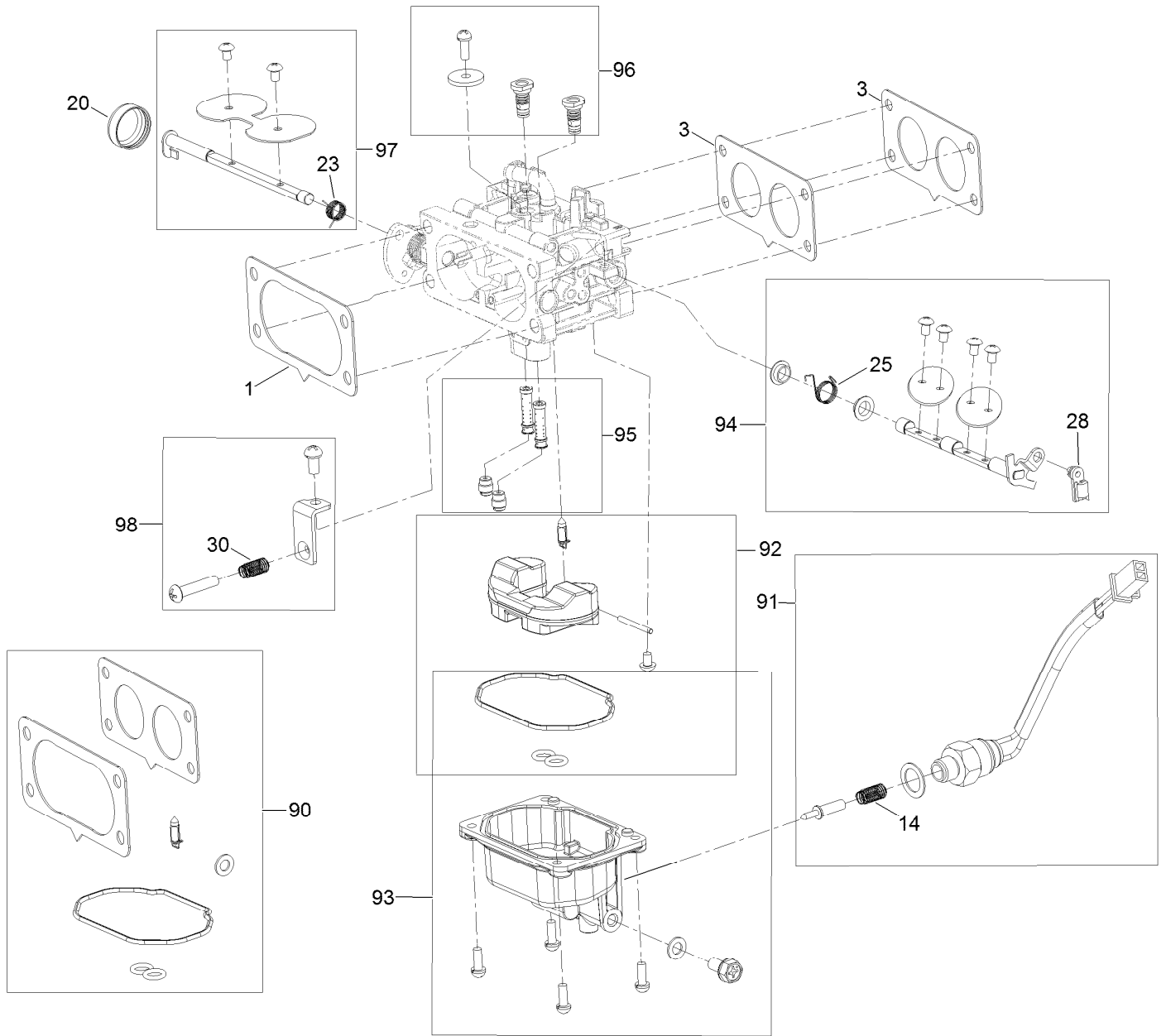
Fuel System Assembly

Engine Assembly No. 127-9041 (continued)

<i>Ref.</i>	<i>Part Number</i>	<i>Qty.</i>	<i>Description</i>	<i>Ref.</i>	<i>Part Number</i>	<i>Qty.</i>	<i>Description</i>
1	127-9204	1	Filter-Fuel	10	127-9244	1	Manifold-Intake
2	120-4251	6	Clamp-Fuel Line	11	127-9245	4	Stud
3	120-4371	1	Line-Fuel	12	127-9246	2	Gasket-Carburetor
4	127-9206	1	Pump-Fuel	13	127-9247	1	Insulator-Carburetor
5	120-4225	2	Screw-HHF	14	127-9248	1	Linkage-Throttle
6	127-9205	1	Hose-Fuel	96	127-9289	1	Carburetor Replacement Kit
7	127-9207	1	Hose-Fuel	97	127-9290	1	Carburetor Repair Kit
8	127-9230	2	Gasket-Intake	98	127-9292	1	Solenoid Kit
9	120-4284	4	Screw-HHF	99	127-9303	1	High Altitude Kit ●

● Not illustrated

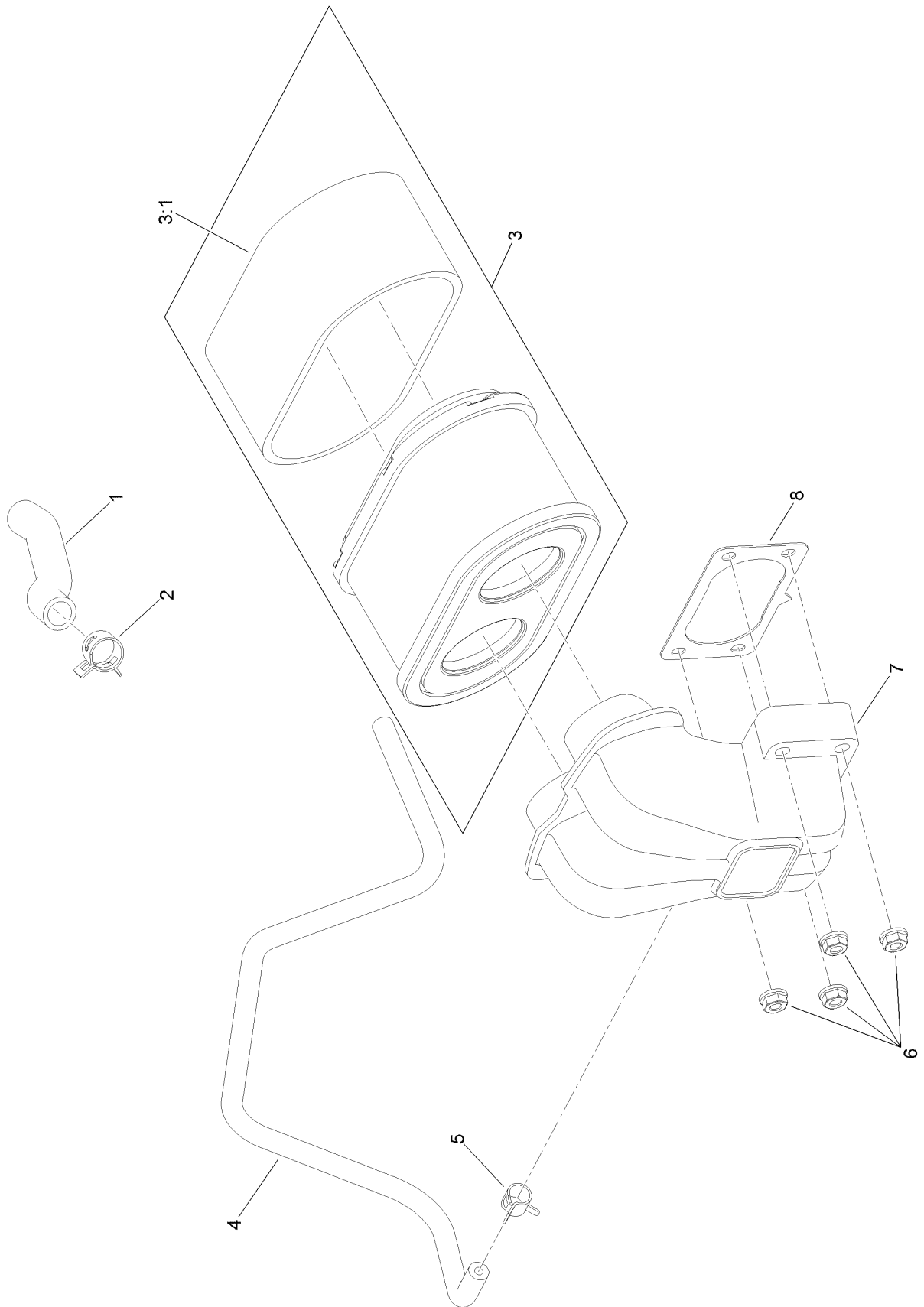
Carburetor Assembly Engine Assembly No. 127-9041



Carburetor Assembly Engine Assembly No. 127-9041 (continued)

<i>Ref.</i>	<i>Part Number</i>	<i>Qty.</i>	<i>Description</i>	<i>Ref.</i>	<i>Part Number</i>	<i>Qty.</i>	<i>Description</i>
1	127-9251	1	Gasket-Carburetor	91	127-9292	1	Solenoid Kit
3	127-9246	2	Gasket-Carburetor	92	127-9340	1	Float Kit
14	127-9319	1	Spring	93	127-9341	1	Bowl Kit
20	127-9325	1	Cover, Choke Shaft	94	127-9342	1	Throttle Shaft Kit
23	127-9328	1	Spring	95	127-9343	1	Needle And Jet Kit
25	127-9330	1	Spring	96	127-9344	1	Air Jet Kit
28	127-9333	1	Lock Clamp	97	127-9345	1	Choke Shaft Kit
30	127-9335	1	Spring	98	127-9347	1	Idlestop Kit
90	127-9290	1	Carburetor Repair Kit				

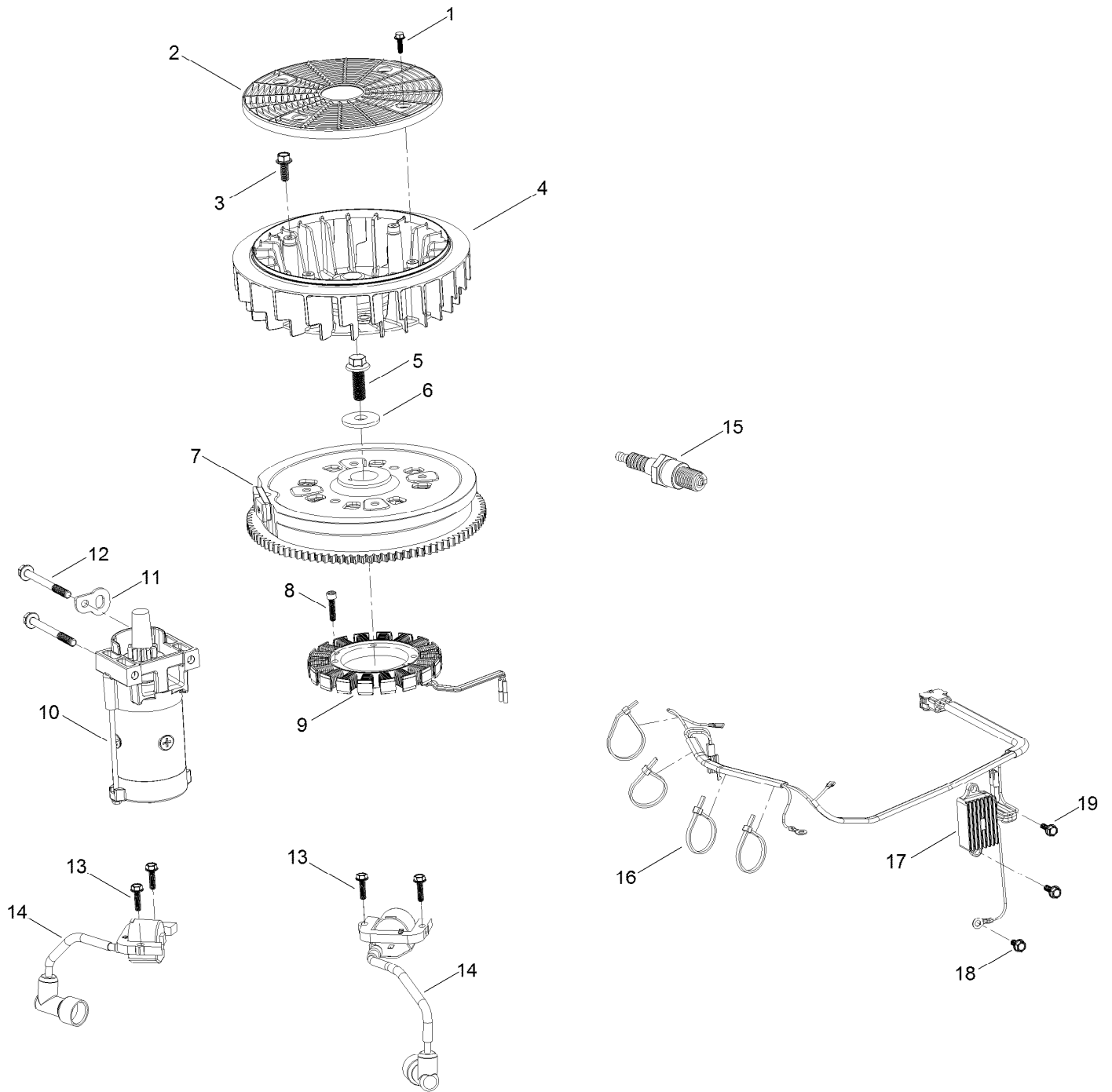
Air Intake and Filtration Assembly Engine Assembly No. 127-9041



Air Intake and Filtration Assembly Engine Assembly No. 127-9041 (continued)

<i>Ref.</i>	<i>Part Number</i>	<i>Qty.</i>	<i>Description</i>	<i>Ref.</i>	<i>Part Number</i>	<i>Qty.</i>	<i>Description</i>
1	127-9235	1	Tube-Breather	5	127-9187	1	Clamp-Hose
2	127-9234	2	Clamp-Hose	6	120-4236	4	Nut-Flange
3	127-9252	1	Filter-Air, Complete	7	127-9047	1	Manifold-Filter, Air
3:1	127-9288	1	Filter-Pre, Foam	8	127-9251	1	Gasket-Carburetor
4	127-9253	1	Hose-Fuel				

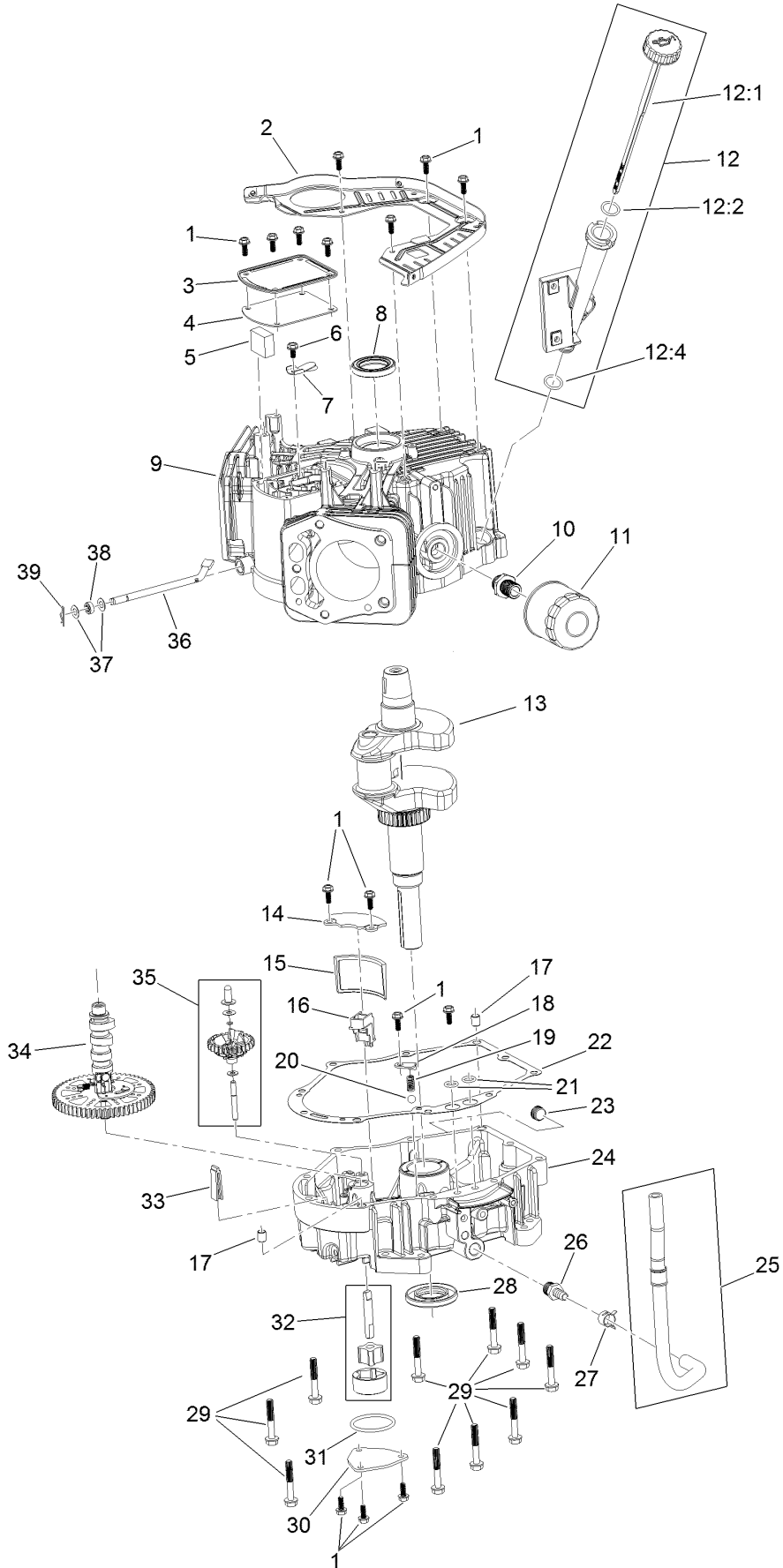
Ignition and Electrical Engine Assembly No. 127-9041



Ignition and Electrical Engine Assembly No. 127-9041 (continued)

<i>Ref.</i>	<i>Part Number</i>	<i>Qty.</i>	<i>Description</i>	<i>Ref.</i>	<i>Part Number</i>	<i>Qty.</i>	<i>Description</i>
1	127-9197	4	Screw-HWH	11	127-9208	1	Bracket-Lift
2	127-9198	1	Screen-Rotating	12	120-4231	2	Screw-HHF
3	127-9199	4	Screw-HWH	13	121-0007	4	Bolt-Flange
4	127-9200	1	Fan-Cooling	14	127-9216	2	Ignition Coil ASM
5	127-9201	1	Screw-HWH	15	81-3250	2	Spark Plug
6	127-9202	1	Washer-Flat	16	127-9220	4	Tie-Zip
7	127-9306	1	Flywheel	17	127-9219	1	Regulator-Voltage W/Harness
8	127-9210	4	Screw-HSH	18	120-4216	1	Screw-HHF
9	127-9211	1	Alternator	19	120-4232	2	Screw-HHF
10	127-9209	1	Motor-Starter				

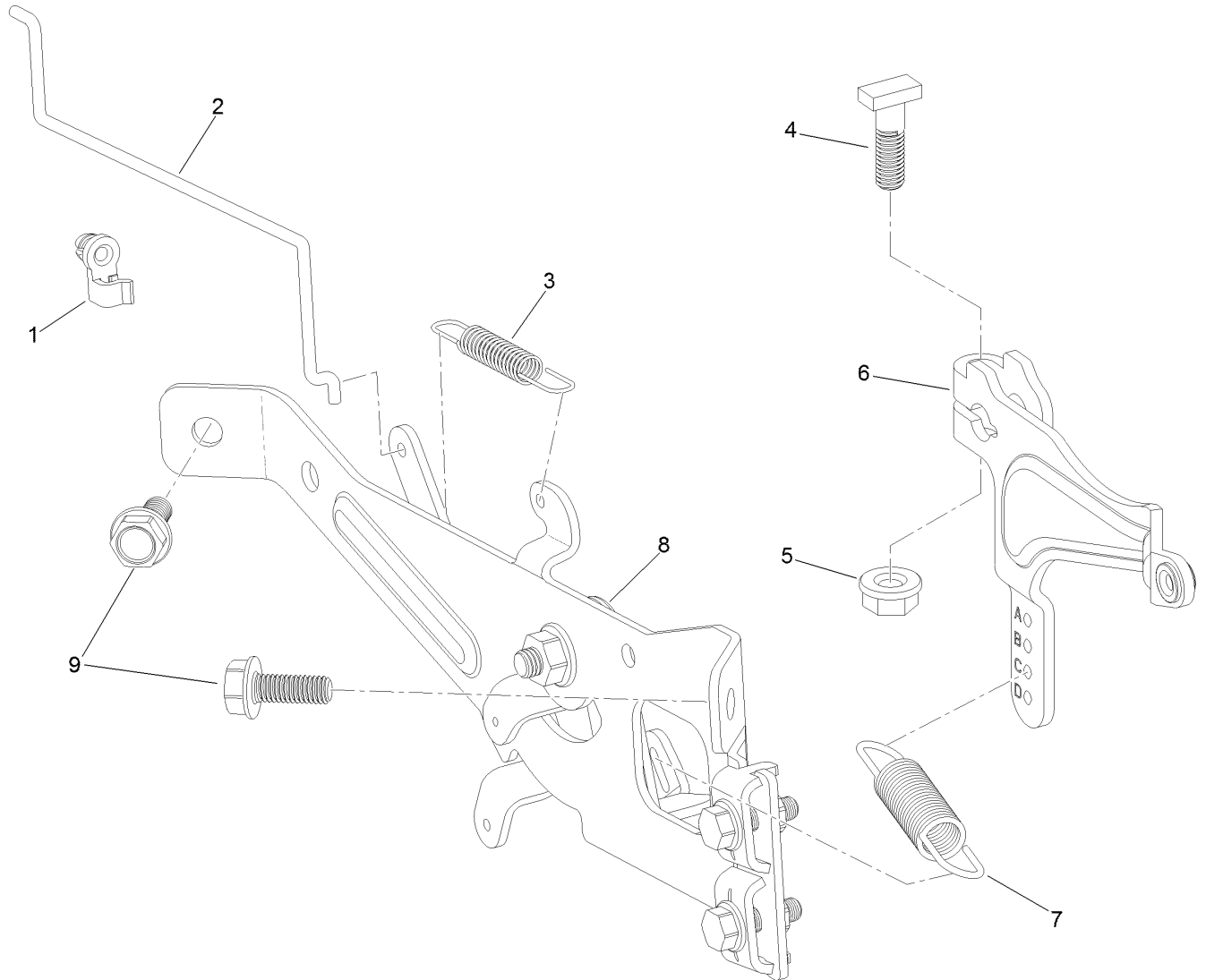
Crankcase and Crankshaft Assembly Engine Assembly No. 127-9041



Crankcase and Crankshaft Assembly Engine Assembly No. 127-9041 (continued)

<i>Ref.</i>	<i>Part Number</i>	<i>Qty.</i>	<i>Description</i>	<i>Ref.</i>	<i>Part Number</i>	<i>Qty.</i>	<i>Description</i>
1	120-4232	14	Screw-HHF	19	127-9265	1	Spring
2	127-9212	1	Baffle	20	127-9266	1	Valve-Ball
3	127-9213	1	Cover-Breather	21	120-4262	2	O-Ring
4	127-9214	1	Gasket-Breather	22	127-9267	1	Gasket-Cover, Crankcase
5	127-9215	1	Filter-Breather	23	120-4285	1	Plug-Drain
6	120-4216	1	Screw-HHF	24	127-9268	1	Cover-Crankcase
7	127-9217	1	Valve-Breather	25	127-9293	1	Oil Drain Hose ASM
8	120-4267	1	Seal-Oil	26	127-9275	1	Fitting-Hose
9	127-9223	1	Crankcase	27	127-9276	1	Clamp-Hose
10	127-9221	1	Fitting-Threaded, Oil Filter	28	127-9271	1	Seal
11	127-9222	1	Filter-Oil	29	121-0473	10	Screw-HHF
12	127-9218	1	Oil Tube ASM	30	127-9274	1	Cover-Oil Pump
12:1	127-9283	1	Dipstick	31	127-9273	1	O-Ring
12:2	127-9284	1	O-Ring	32	127-9272	1	Oil Pump ASM
12:4	127-9286	1	O-Ring	33	120-4275	1	Deflector-Oil, Rubber
13	127-9255	1	Crankshaft	34	127-9269	1	Camshaft
14	127-9261	1	Cover-Screen, Oil	35	127-9270	1	Governor ASM
15	127-9262	1	Screen-Oil	36	127-9238	1	Rod-Governor
16	127-9263	1	Retainer-Screen	37	120-4258	2	Washer-Plain
17	120-4274	2	Pin-Dowel	38	120-4257	1	Seal-Oil
18	127-9264	1	Plate-Retainer	39	120-4256	1	Pin-Hair

Governor Control Assembly Engine Assembly No. 127-9041

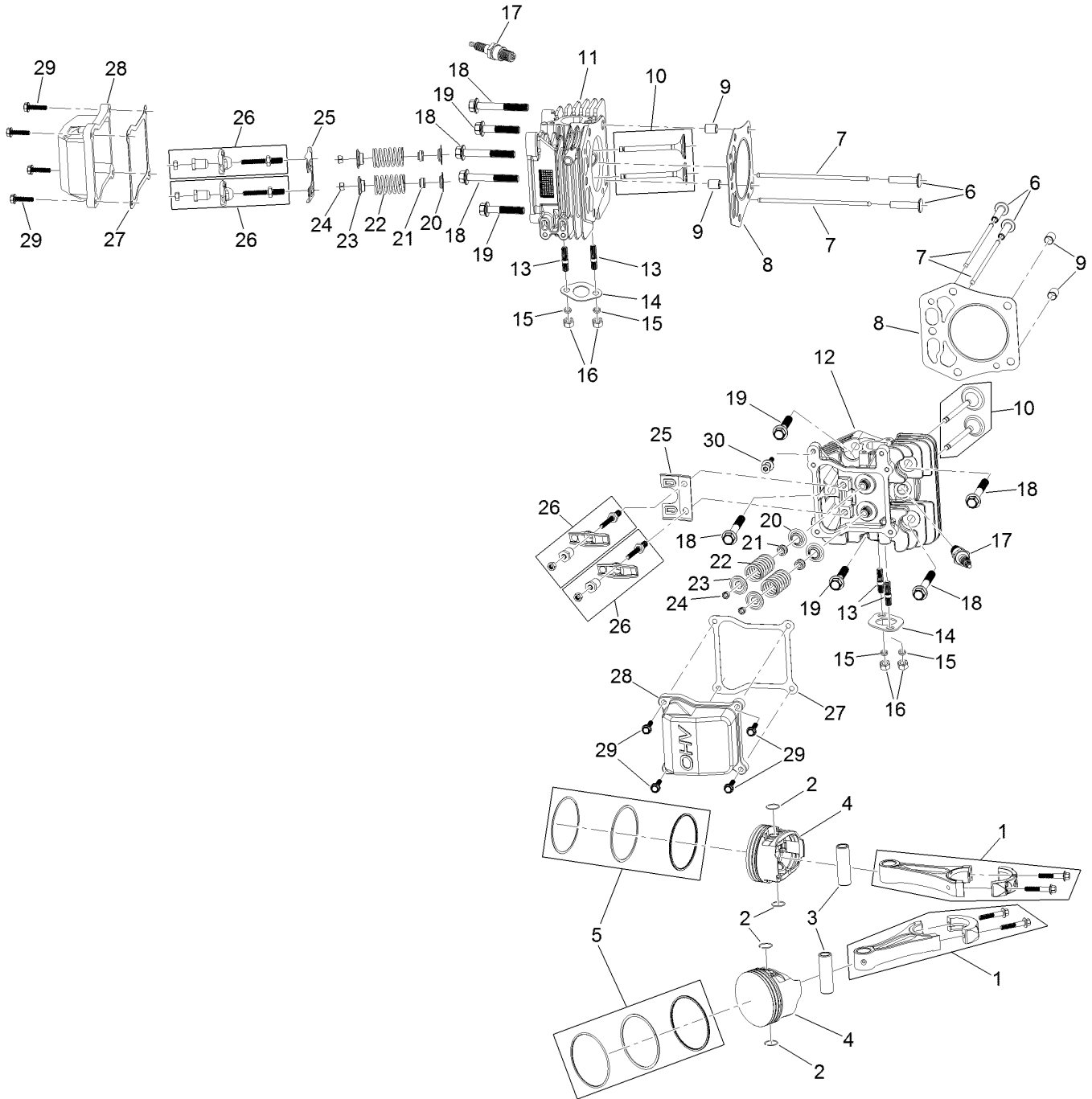


Governor Control Assembly Engine Assembly No. 127-9041 (continued)

<i>Ref.</i>	<i>Part Number</i>	<i>Qty.</i>	<i>Description</i>	<i>Ref.</i>	<i>Part Number</i>	<i>Qty.</i>	<i>Description</i>
1	127-9250	1	Clip-Linkage	6	127-9239	1	Arm-Governor
2	127-9242	1	Linkage-Choke	7	127-9240	1	Spring-Governor
3	127-9241	1	Spring-Governor	8	127-9243	1	Plate-Control
4	120-4238	1	Bolt-Arm, Governor	9	120-4232	2	Screw-HHF
5	120-4236	1	Nut-Flange				

Piston and Cylinder Head Assembly

Engine Assembly No. 127-9041

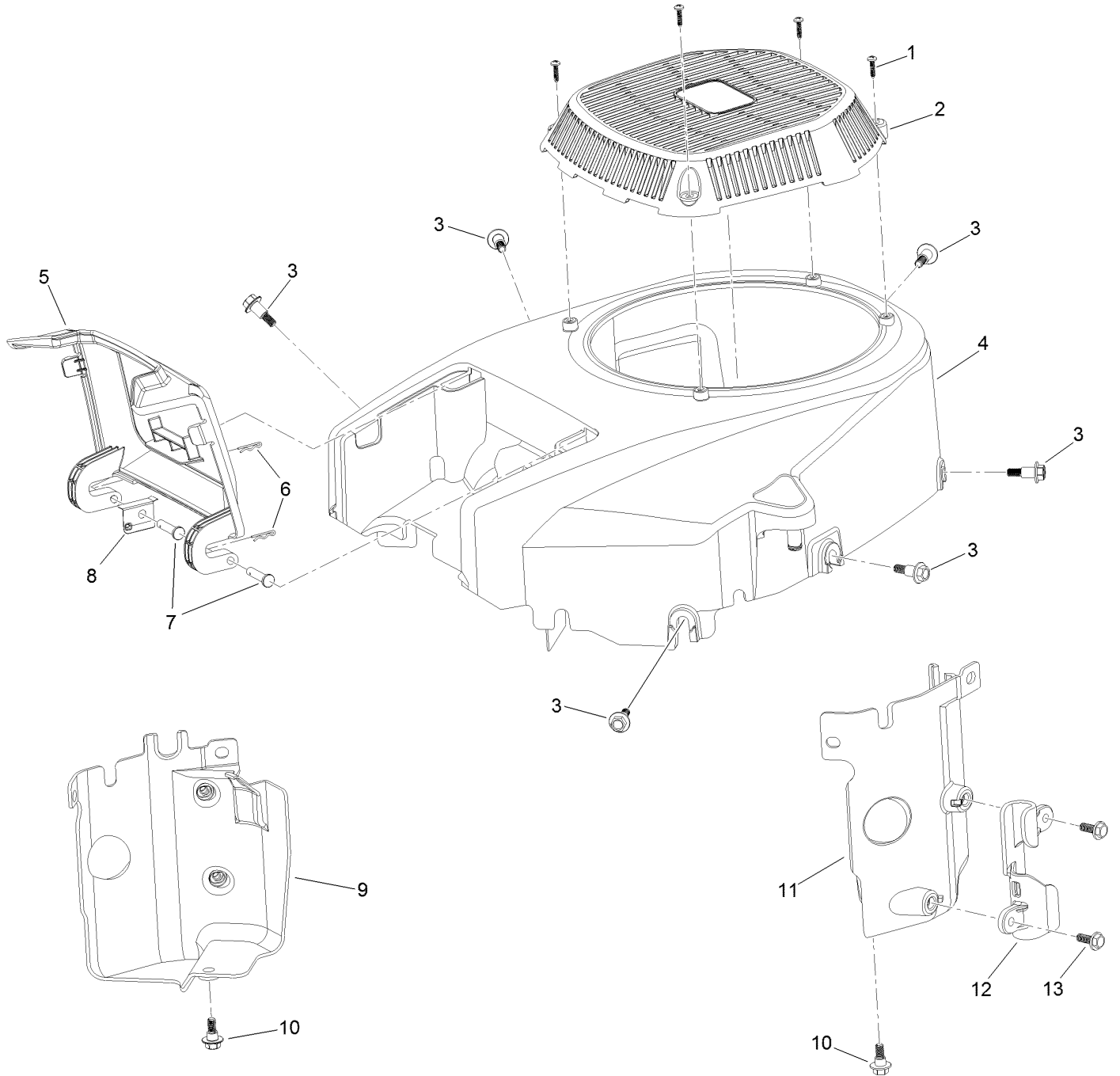


Piston and Cylinder Head Assembly

Engine Assembly No. 127-9041 (continued)

<i>Ref.</i>	<i>Part Number</i>	<i>Qty.</i>	<i>Description</i>	<i>Ref.</i>	<i>Part Number</i>	<i>Qty.</i>	<i>Description</i>
1	127-9256	2	Connecting Rod ASM	16	121-0199	4	Nut-HH
2	127-9258	4	Clip-Piston Pin	17	81-3250	2	Spark Plug
3	127-9257	2	Pin-Piston	18	127-9231	6	Screw-HWH
4	127-9259	2	Piston	19	127-9232	4	Screw-HWH
5	127-9260	2	Ring Set-Piston	20	120-4303	4	Seat-Spring, Valve
6	127-9224	4	Lifter-Valve	21	120-4304	4	Seal-Stem, Valve
7	127-9225	4	Rod-Push	22	120-4305	4	Spring-Valve
8	127-9226	2	Gasket-Cylinder Head	23	120-4306	4	Retainer-Spring, Valve
9	127-9227	4	Pin-Dowel	24	120-4307	4	Keeper-Valve
10	127-9228	2	Valve Set	25	127-9233	2	Plate-Push Rod, Guide
11	127-9229	1	Head-Cylinder	26	127-9294	4	Rocker Arm ASM
12	127-9254	1	Head-Cylinder	27	127-9295	2	Gasket-Valve Cover
13	127-9236	4	Stud	28	127-9050	2	Cover-Valve
14	120-4317	2	Gasket-Exhaust	29	120-4225	8	Screw-HHF
15	127-9279	4	Washer-Lock, Split	30	120-4214	1	Screw-Shoulder, HH

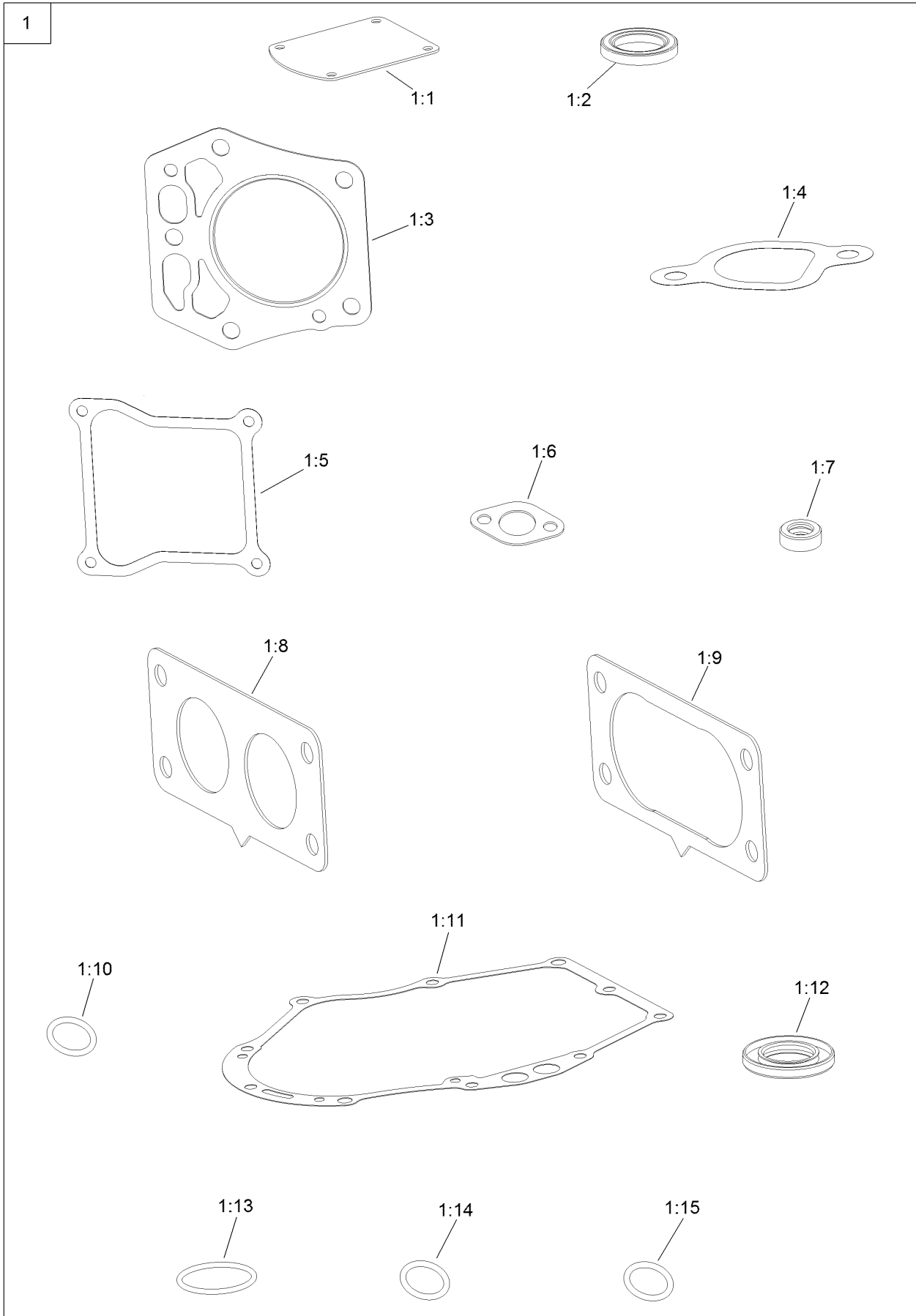
Blower Housing Assembly Engine Assembly No. 127-9041



Blower Housing Assembly Engine Assembly No. 127-9041 (continued)

<i>Ref.</i>	<i>Part Number</i>	<i>Qty.</i>	<i>Description</i>	<i>Ref.</i>	<i>Part Number</i>	<i>Qty.</i>	<i>Description</i>
1	127-9195	4	Screw-Plastic, PPH	8	127-9281	1	Plate-Spring
2	127-9045	1	Cover-Fan	9	127-9049	1	Baffle-Air, Left
3	127-9196	6	Screw-Shoulder, HWH	10	120-4210	2	Screw-Shoulder, HHF
4	127-9044	1	Shroud-Engine	11	127-9048	1	Baffle-Air, Right
5	127-9046	1	Door-Filter, Air	12	127-9287	1	Cleat-Hose
6	127-9280	2	Pin-Hair	13	120-4232	2	Screw-HHF
7	127-9282	2	Pin				

Gasket and Seal Kit Engine Assembly No. 127-9041

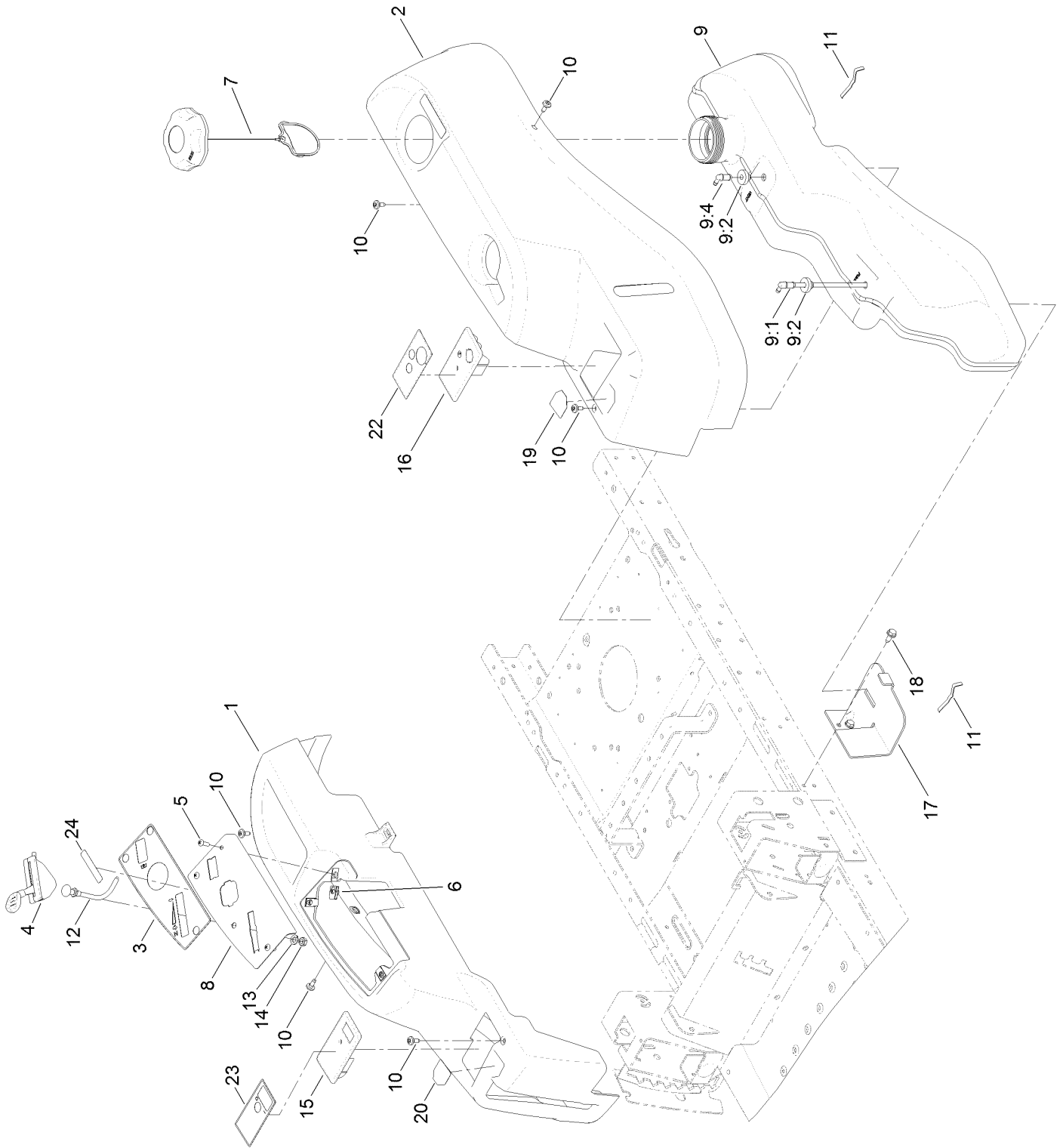


Gasket and Seal Kit

Engine Assembly No. 127-9041 (continued)

<i>Ref.</i>	<i>Part Number</i>	<i>Qty.</i>	<i>Description</i>	<i>Ref.</i>	<i>Part Number</i>	<i>Qty.</i>	<i>Description</i>
1	127-9296	1	Gasket And Seal Kit	1:8	127-9246	2	Gasket-Carburetor
1:1	127-9214	1	Gasket-Breather	1:9	127-9251	1	Gasket-Carburetor
1:2	120-4267	1	Seal-Oil	1:10	120-4262	2	O-Ring
1:3	127-9226	2	Gasket-Cylinder Head	1:11	127-9267	1	Gasket-Cover, Crankcase
1:4	127-9230	2	Gasket-Intake	1:12	127-9271	1	Seal
1:5	127-9295	2	Gasket-Valve Cover	1:13	127-9273	1	O-Ring
1:6	120-4317	2	Gasket-Exhaust	1:14	127-9284	1	O-Ring
1:7	120-4257	1	Seal-Oil	1:15	127-9286	1	O-Ring

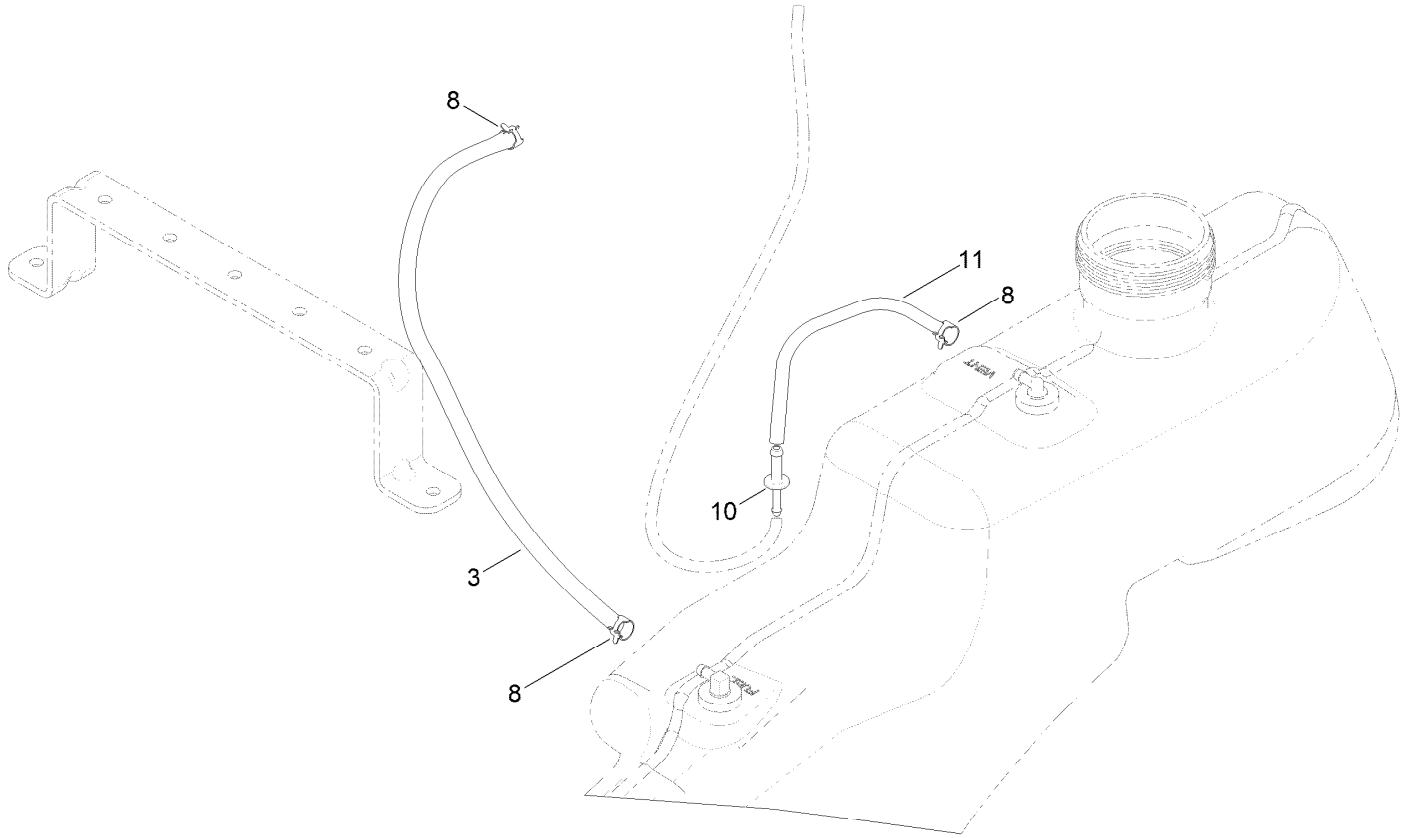
Body Styling and Fuel Tank Assembly



Body Styling and Fuel Tank Assembly (continued)

<i>Ref.</i>	<i>Part Number</i>	<i>Qty.</i>	<i>Description</i>	<i>Ref.</i>	<i>Part Number</i>	<i>Qty.</i>	<i>Description</i>
1	119-3338	1	Pod-RH	11	609830	2	Spring
2	119-3337	1	Pod-LH	12	112-9753	1	Cable-Choke
3	121-0773	1	Decal-Panel, Control	13	3253-21	1	Washer-Lock
4	121-0769	1	Cable-Throttle	14	3220-3	1	Nut-HJ
5	3258-166	3	Screw-PRH	15	130-7039	1	Cover-RH
6	107069	3	Clip	16	130-7040	1	Cover-LH
7	120-5461	1	Cap-Fuel, Ratcheting	17	119-3395-03	1	Support-Tank, Front
8	119-3377-03	1	Plate-Control	18	32144-70	2	Screw-HWHTF
9	119-3324	1	Fuel Tank ASM	19	131-3621	1	Decal-Nmir
9:1	121-0793	1	Connector-Elbow, 90 DEG	20	131-3620	1	Decal-Control, Pedal
9:2	46-6560	2	Bushing	22	131-3664	1	Decal-Keychoice
9:4	117-7400	1	Fitting-Plastic	23	131-3954	1	Decal-Brake, Parking
10	120-7950	8	Screw-Shoulder	24	132-0904	1	Decal-Shutdown

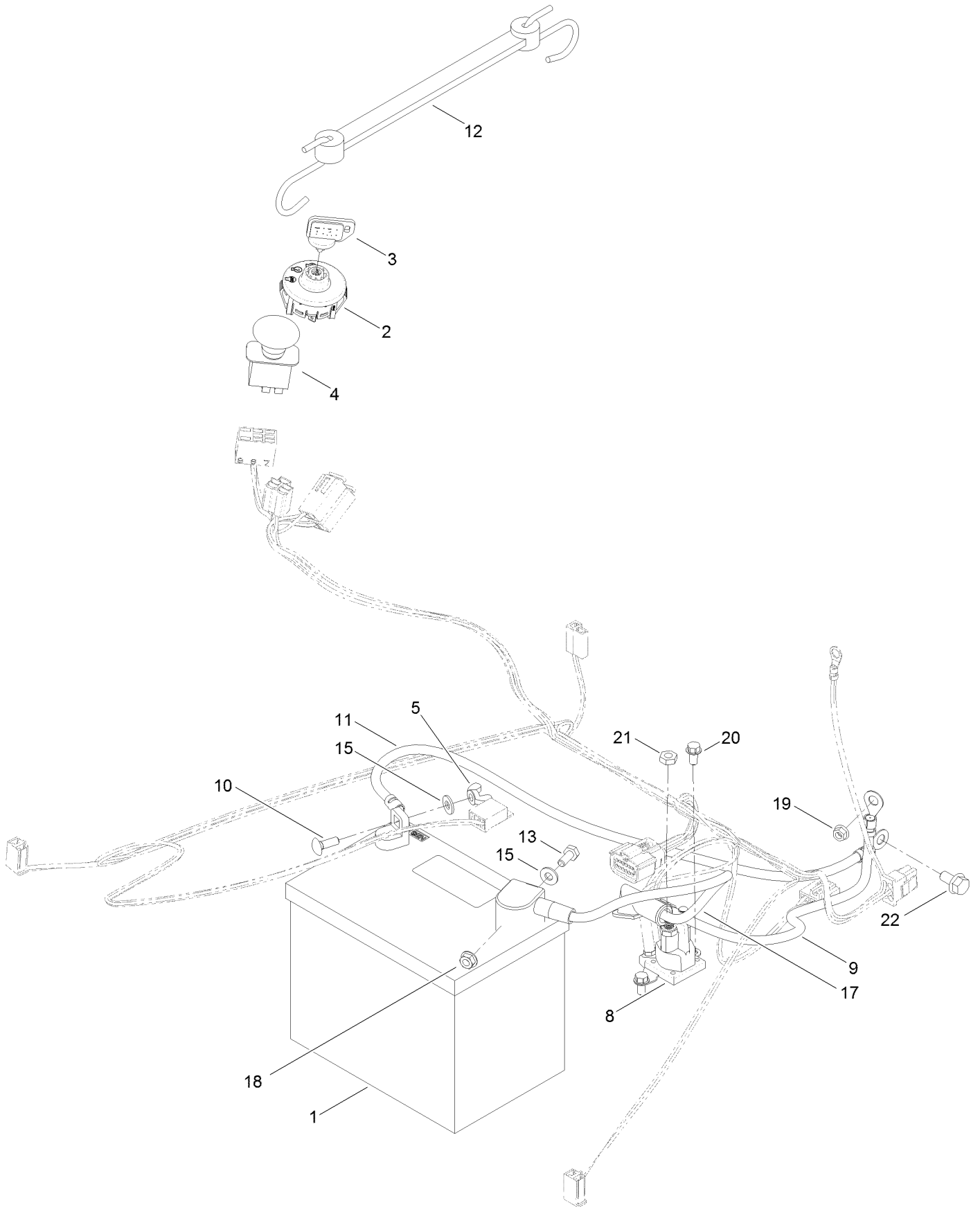
Fuel Delivery Assembly



Fuel Delivery Assembly (continued)

<i>Ref.</i>	<i>Part Number</i>	<i>Qty.</i>	<i>Description</i>	<i>Ref.</i>	<i>Part Number</i>	<i>Qty.</i>	<i>Description</i>
3	109-0281	1	Hose-Fuel	10	117-5399	1	Adaptor-Orifice
8	2412-98	3	Clamp-Hose	11	110-1876	1	Hose-Fuel

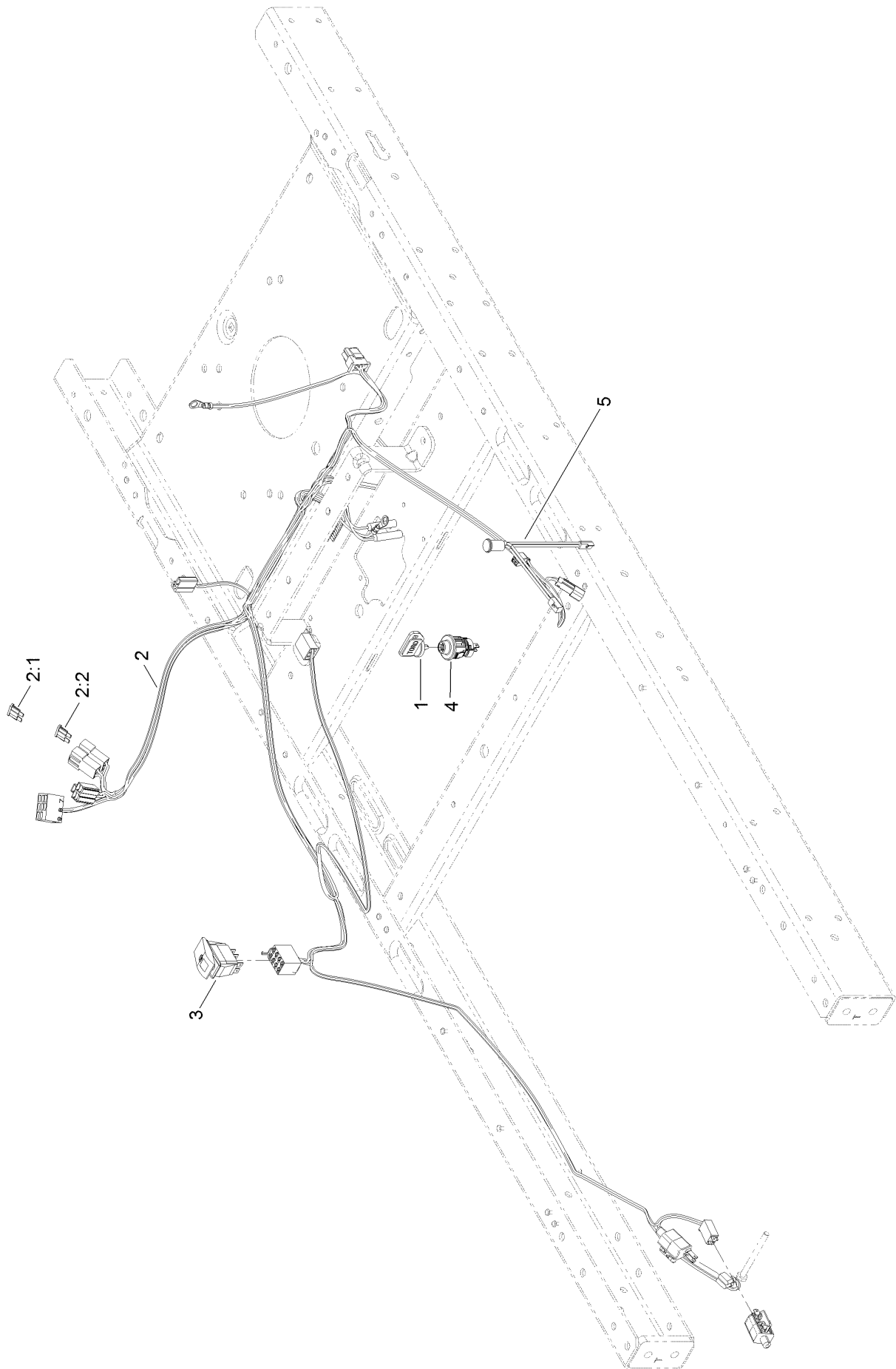
Battery and Electrical Assembly



Battery and Electrical Assembly (continued)

<i>Ref.</i>	<i>Part Number</i>	<i>Qty.</i>	<i>Description</i>	<i>Ref.</i>	<i>Part Number</i>	<i>Qty.</i>	<i>Description</i>
1	105-1692	1	Battery-Dry	12	104-2466	1	Holddown-Battery
2	117-2221	1	Switch-Ignition	13	321-3	1	Screw-HH
3	63-8360	1	Key-Ignition	15	3256-22	2	Washer-Flat
4	114-0279	1	Switch-PTO	17	119-8897	1	Cable-Battery, Red
5	32103-22	1	Nut-Wing	18	32128-33	1	Nut-HF
8	117-1197	1	Solenoid	19	33003-00	1	Nut-HF
9	121-0711	1	Cable-Battery, Positive	20	32144-4	2	Screw-HWH
10	3229-1	1	Bolt-CARR	21	3220-2	2	Nut-Jam
11	119-8899	1	Cable-Battery, Black	22	3234-14	1	Screw-HHF

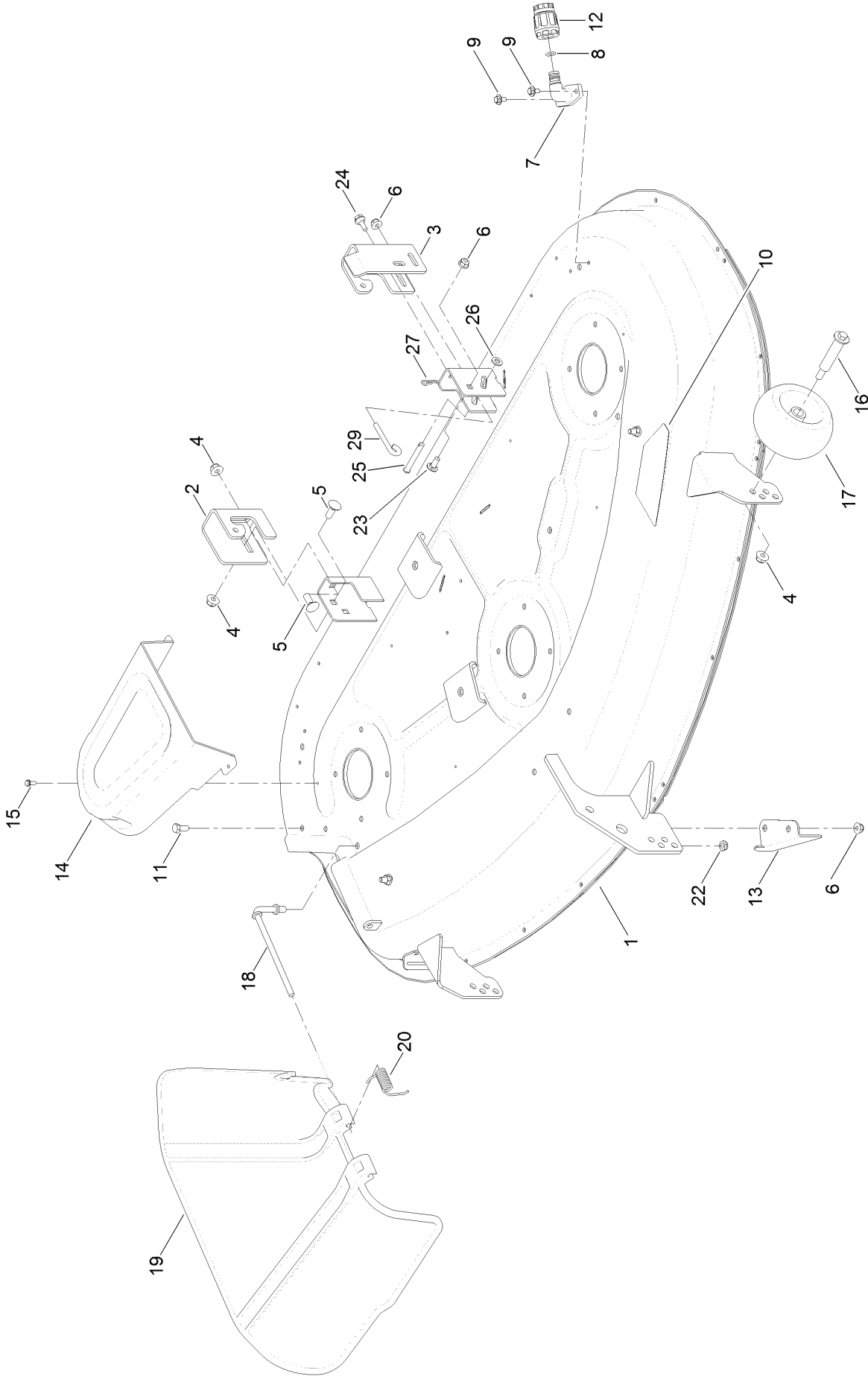
Wire Harness Assembly



Wire Harness Assembly (continued)

<i>Ref.</i>	<i>Part Number</i>	<i>Qty.</i>	<i>Description</i>	<i>Ref.</i>	<i>Part Number</i>	<i>Qty.</i>	<i>Description</i>
1	131-3639	1	Key-Toro	3	130-6874	1	Switch-Rocker, (On)-Off-(On)
2	130-6918	1	Harness-Wire	4	119-3068	1	Switch-Momentary, N.O.
2:1	109103	1	Fuse-Blade, 30 Amp	5	131-4136	1	Light-Indicator
2:2	109102	1	Fuse-Blade, 25 Amp				

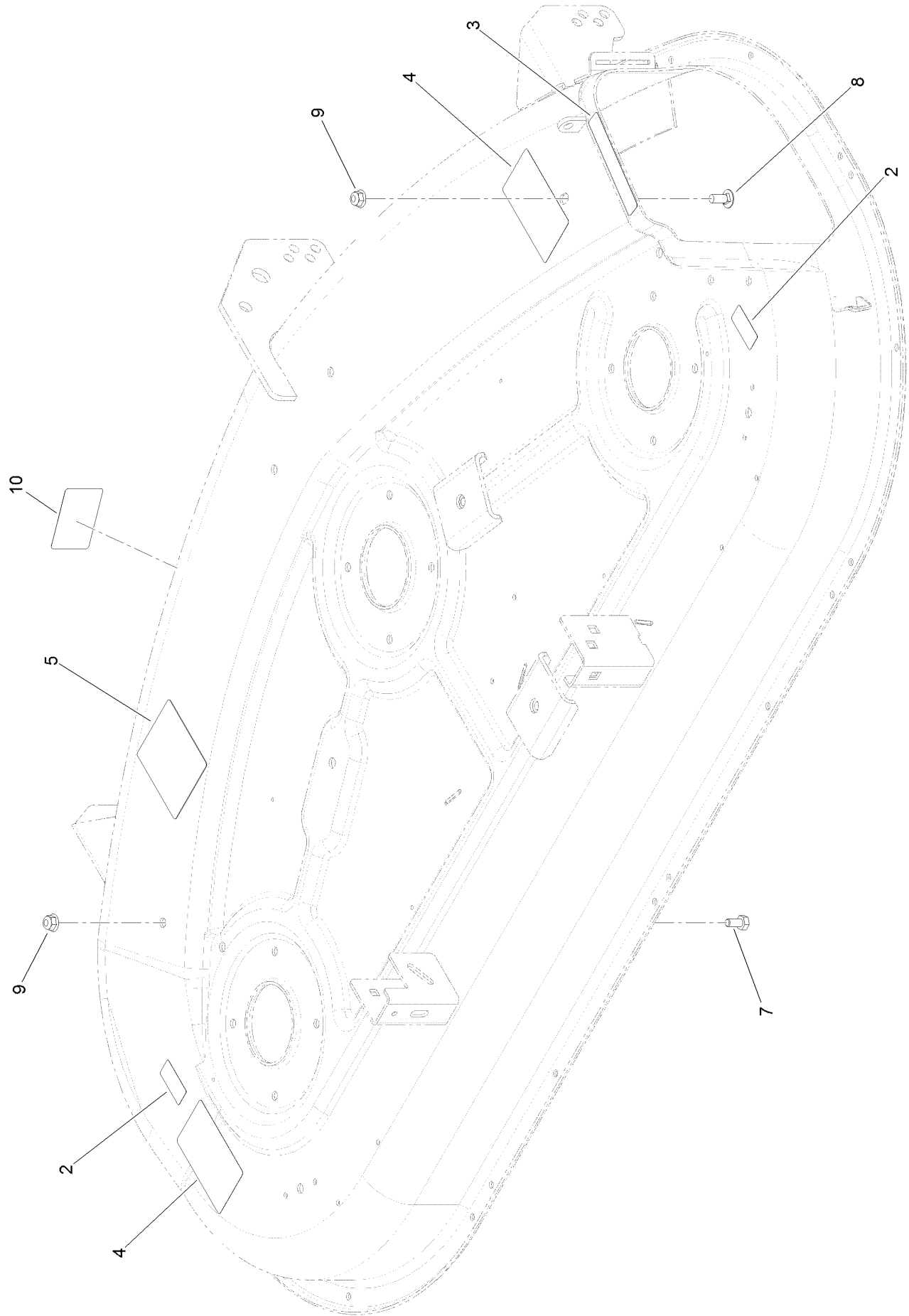
54 Inch Deck Assembly



54 Inch Deck Assembly (continued)

<i>Ref.</i>	<i>Part Number</i>	<i>Qty.</i>	<i>Description</i>	<i>Ref.</i>	<i>Part Number</i>	<i>Qty.</i>	<i>Description</i>
1	130-7004	1	54 Inch Deck ASM	15	32144-1	6	Screw-Taptite
2	131-4138	1	Bracket-Hanger, RH	16	112-3977	3	Bolt-Shoulder
3	131-3935	1	Bracket-Hanger, LH	17	1-603299	3	Roller-Scalp, Anti
4	104-8301	5	Nut-Flange, NI	18	112-3950	1	Rod-Pivot
5	3231-2	2	Bolt-CARR	19	108-7895	1	Deflector
6	104-8300	4	Nut-Flange, NI	20	110-6694	1	Spring-Torsion
7	95-2747	2	Fitting-Washout	22	3296-59	1	Nut-Lock, NI
8	46-6290	2	O-Ring	23	3230-23	1	Screw-CARR
9	46-8560	4	Screw-HHFTF	24	120-7024	1	Screw-Shoulder, HHF
10	131-0961	1	Decal-Deck	25	110-0618	1	Pin-Clevis
11	322-3	2	Screw-HH	26	3256-23	1	Washer-Flat
12	95-3270	1	Connector-Hose	27	1-806003	1	Pin-Cotter
13	112-3983-03	1	Baffle-Cutoff	29	131-0955	1	Rod-Deck Level
14	108-7890	2	Cover-Belt				

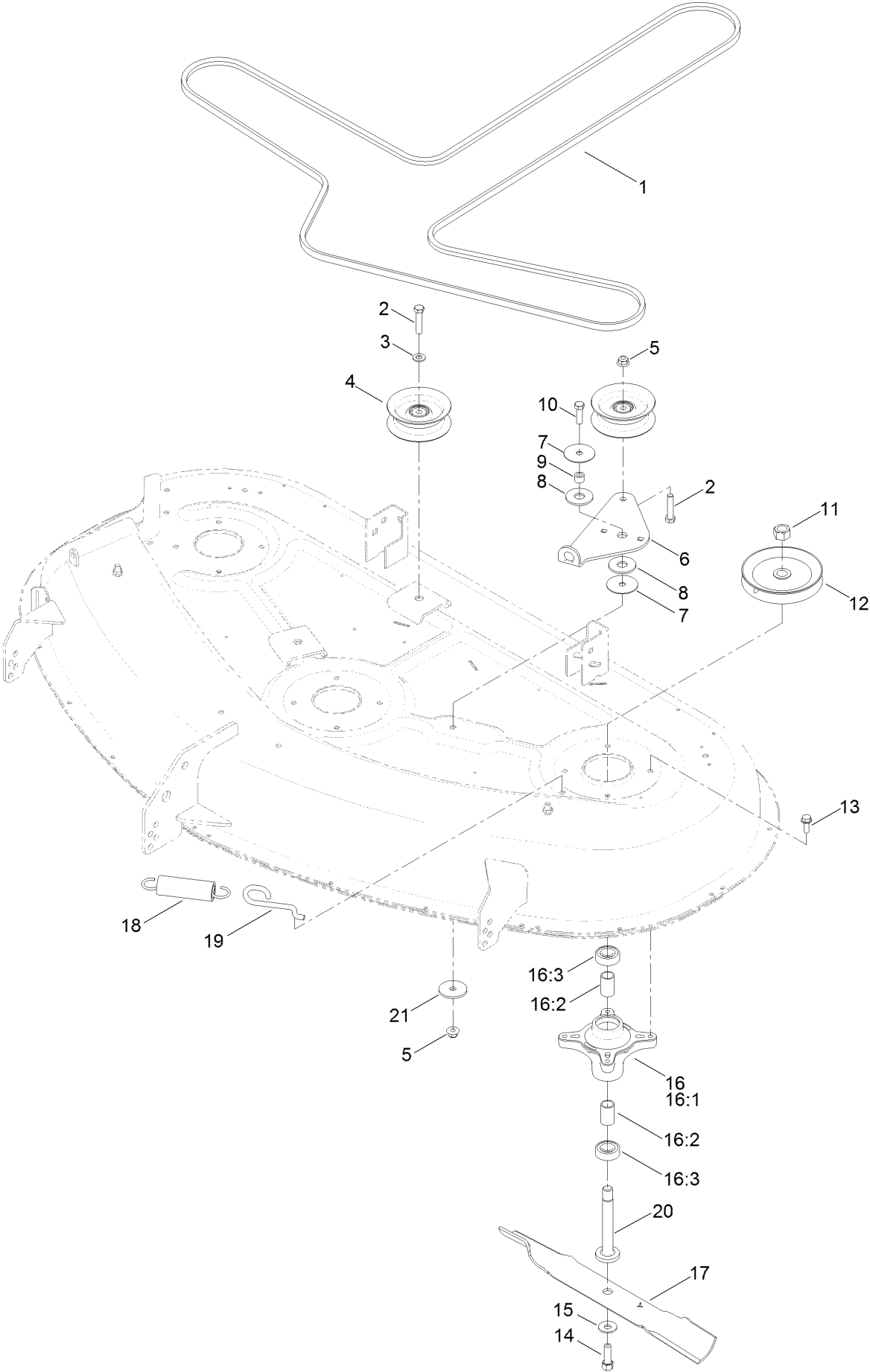
54 Inch Deck Decal Assembly No. 130-7004



54 Inch Deck Decal Assembly No. 130-7004 (continued)

<i>Ref.</i>	<i>Part Number</i>	<i>Qty.</i>	<i>Description</i>	<i>Ref.</i>	<i>Part Number</i>	<i>Qty.</i>	<i>Description</i>
2	114-1606	2	Decal-Danger	7	322-2	1	Screw-HH
3	93-7009	1	Decal-Danger	8	3230-23	1	Screw-CARR
4	110-6691	2	Decal-Danger	9	104-8300	2	Nut-Flange, NI
5	99-3943	1	Decal-Routing, Belt	10	112-9840	1	Decal-Scalp, Anti

54 Inch Deck, Belt and Blade Assembly



54 Inch Deck, Belt and Blade Assembly (continued)

<i>Ref.</i>	<i>Part Number</i>	<i>Qty.</i>	<i>Description</i>	<i>Ref.</i>	<i>Part Number</i>	<i>Qty.</i>	<i>Description</i>
1	130-0843	1	Belt-V	13	32144-41	12	Screw-Taptite
2	323-9	3	Screw-HH	14	26-0671	3	Screw-HH
3	3256-24	2	Washer-Flat	15	3290-465	3	Washer-Belleville
4	106-2175	3	Pulley-Idler, Flat	16	121-0751	3	Spindle ASM
5	104-8301	2	Nut-Flange, NI	16:1	117-7267	1	Spindle
6	114-8540	1	Arm-Idler	16:2	120-7935	2	Spacer
7	120-2229	2	Washer	16:3	100-1048	2	Bearing-Ball
8	114-0463	2	Washer-Friction, Composite	17	115-2454-03	3	Blade-Hi Lift, 18.75 Inch
9	115-4986	1	Spacer	18	1-603414	1	Spring-Extension
10	323-7	1	Screw-HH	19	112-3973	1	Hook-Return, Spring
11	3219-6	3	Nut-Hex	20	117-7268	3	Shaft-Spindle
12	130-0656	3	Pulley ASM	21	63-7400	1	Washer-Rebound

Attachments and Accessories

For 74793 TimeCutter SW 5425 Riding Mower

Product Name	Model/Part
Oil-Synthetic, All Season	117-0066
Fuel Stabilizer (4oz).....	117-0089
Fuel Stabilizer (16oz).....	117-0090
Seat Cover W/arm Rest	117-0097
Hourmeter Kit, 2011 and After TimeCutter Riding Mower	120-5498
Jack Mount Kit	126-5251
Jack Kit	127-6666
Attachment Mount Kit	131-3966
54in Striping Kit.....	131-4165
54in Bagging Enhancement Kit.....	131-4166
54in Recycler Kit, Riding Mower	131-4185
10w30 4-cycle Engine Oil (32oz Bottle)	38280
Toro 4-cycle Sae 30 Oil (32oz Bottle).....	38903
Storage Cover	490-7516
Sunshade Kit	79011
Cargo Carrier	79040
54in Bagger	79383

Notes:



Count on it.