



Count on it.

Parts Catalog

**Z Master® 8000 Series Riding
Mower**

with 48in Direct-Collect Cutting Unit

Model No. 74312—Serial No. 314000001 and Up



Ordering Replacement Parts

To order replacement parts, please supply the part number, the quantity, and the description of each part desired.

Understanding Reference Numbers

Each identified part in an illustration has a reference number. The reference number for a part also appears in the parts list, along with other information about the part.

This catalog uses two special reference number formats, one to indicate parts in a service assembly and another to indicate the quantity of a given part in an illustration.

Service Assembly Reference Numbers

Parts in service assemblies have reference numbers in the form a:b. The a represents the reference number of the entire service assembly and the b represents a sequential number unique to each part within the service assembly.

For example, a wheel assembly might be identified by reference number 6, the tire by 6:1, the valve by 6:2, and the wheel by 6:3. When you order the assembly identified by reference number 6, you receive all parts identified by reference numbers 6:1, 6:2, and 6:3. However, you may also order any part individually. Reference numbers of this type appear in illustration and in parts lists.

Reference Numbers Indicating Quantity

In an illustration, if a reference number indicates more than one part, the reference number has the form nX y. The n represents the quantity of the part, the X is the multiplication symbol, and the y represents the reference number.

For example, in an illustration, the reference number 2X 37 means that two of the parts identified by reference number 37 are indicated.

List of Abbreviations

AR: as required

ASM: assembly

BBC: blade brake control

BHTF: button head thread forming

CARR: carriage

CCW: counter clockwise

CW: clockwise

DEG: degrees

DPA: Dual Point Adjustment

ECM: electronic control module

EXT: external

FH: flat head

GA: gauge

HD: heavy-duty

HF: hex flange

HH: hex head

HHF: hex head flange

HHFTF: hex head flange thread forming

HJ: hex jam

HLH: hex lag head

HOC: height-of-cut

HP: high pressure

HSBH: hex socket button head

HSFH: hex socket flat head

HSH: hex socket head

HWH: hex washer head

HWHTF: hex washer head thread forming

HYD: hydraulic

LH: left hand

LP: low pressure

LPG: Liquefied Petroleum Gas

NI: nylon insert

NPTF: national pipe thread fine

PFH: phillips flat head

PPH: phillips pan head

PPHTF: phillips pan head thread forming

PRH: phillips round head

PTH: phillips truss head

PTO: power-take-off

RH: right hand

ROPS: roll-over protection system

RRB: rear roller brush

SFH: slotted fillister head

SHH: slotted hex head

SHWH: slotted hex washer head

SPH: slotted pan head

SQH: square head

SRH: slotted round head

STD: standard

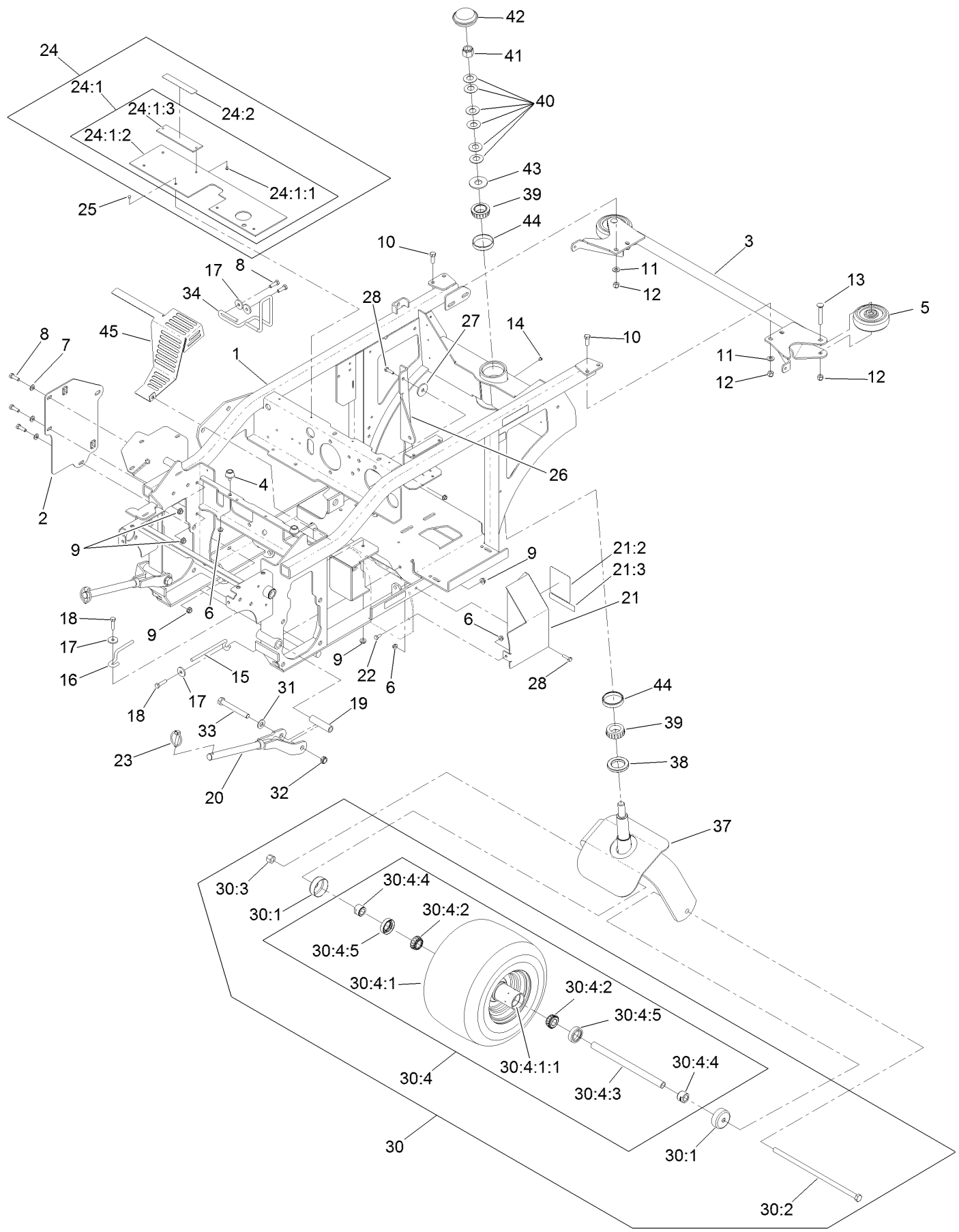
TAP: self tapping

TTH: torx truss head

Contents

Caster Wheel and Frame Assembly	4
Speed Control Assembly.....	6
Parking Brake Assembly.....	8
Seat and Consoles Assembly.....	10
Hydraulic Assembly	12
Hydraulic Pump Assembly No. 116-7836.....	14
Idler Assembly No. 103-7349.....	16
Blower Mounting Assembly	18
Blower Assembly No. 116-9649.....	20
Engine, Muffler and Air Cleaner Assembly	22
Fuel Assembly	24
Electrical System Assembly	26
Hopper Mounting Assembly	28
Hopper Assembly No. 130-2872	30
Hopper Screen Assembly No. 109-0717	32
Hopper Door Assembly No. 130-2875	34
Hopper Frame Assembly No. 109-4086.....	36
Drive Assembly.....	38
Deck Mounting Assembly	40
Deck, Gearbox and Driveshaft Mounting Assembly	42
Deck Decal Assembly No. 109-4372	44
Discharge Tube Assembly No. 103-9487.....	46
Gearbox Assembly No. 103-3387	48
Rear Deck Height Adjustment Assembly No. 109-0323.....	50
Drive Shaft Assembly No. 103-9485.....	52
Deck Support Frame Assembly No. 130-2893	54
Deck Support Assembly No. 103-9480.....	56
Spring Lift Assist Assembly No. 116-7851	58
Attachments and Accessories	60

Caster Wheel and Frame Assembly



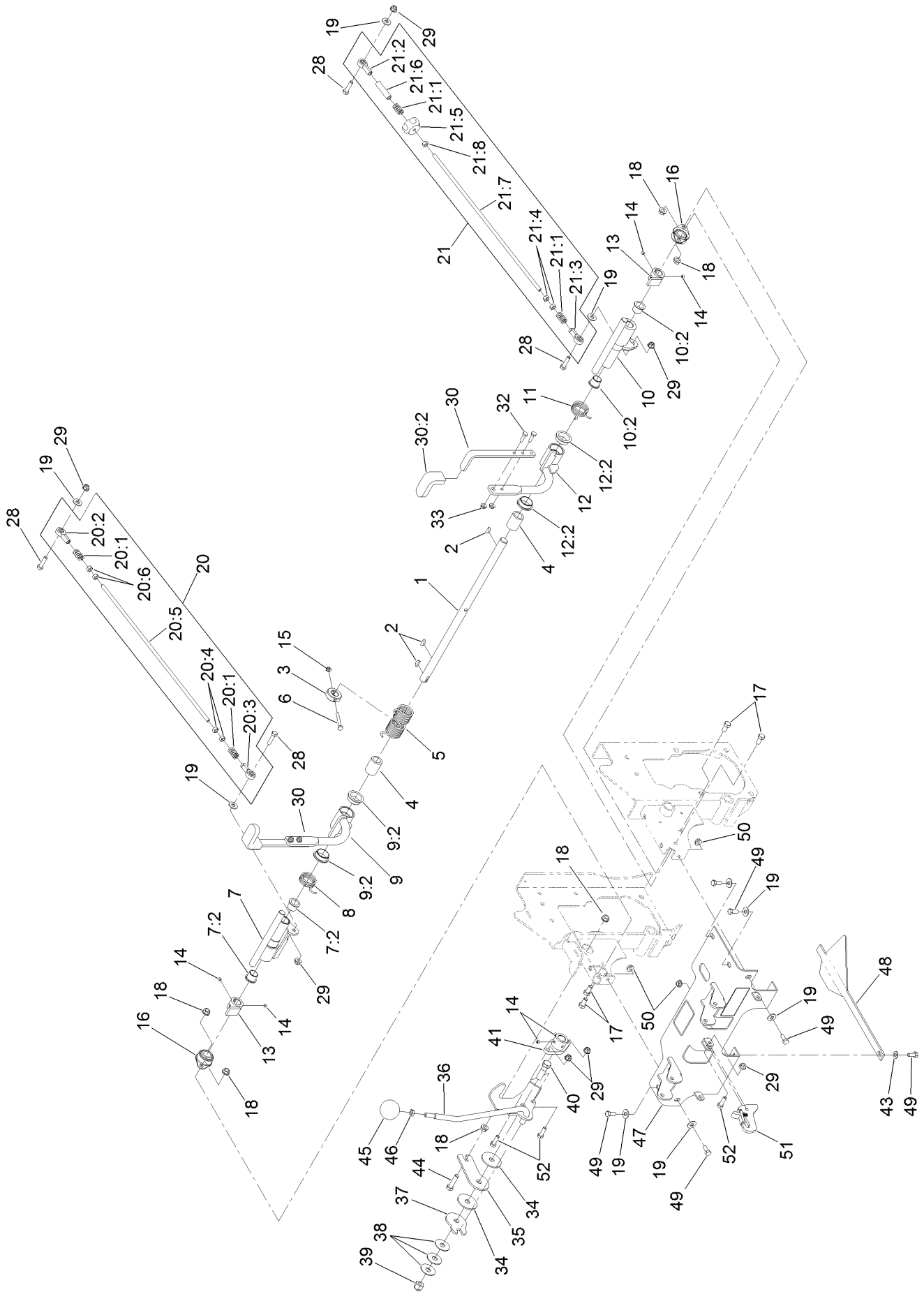
Caster Wheel and Frame Assembly (continued)

<i>Ref.</i>	<i>Part Number</i>	<i>Qty.</i>	<i>Description</i>	<i>Ref.</i>	<i>Part Number</i>	<i>Qty.</i>	<i>Description</i>
1	116-7482	1	Frame ASM	24:2	98-4361	1	Decal-Warning
2	116-7396-03	1	Plate-Support	25	1-803035	4	Rivet-Pop
3	109-0925-03	1	Bumper-Rear	26	109-5874-03	1	Brace-PTO
4	109-2365	1	Bumper-Rubber	27	1-213069	1	Washer
5	103-5408	2	Roller-Bumper	28	321-6	2	Screw-HH
6	32128-33	5	Nut-HF	30	130-2865	1	Wheel And Axle ASM
7	3256-23	3	Washer-Flat	30:1	103-2768	2	Guard-Seal
8	322-5	5	Screw-HH	30:2	103-7738	1	Screw-HH
9	32128-20	5	Nut-HF	30:3	3296-23	1	Nut-Lock, NI
10	323-6	4	Screw-HH	30:4	130-2864	1	Wheel And Bearing ASM
11	3256-24	4	Washer-Flat	30:4:1		1	Wheel And Tire ASM ●
12	3296-39	6	Nut-Lock, NI	30:4:1:1	1-633584	2	Bearing-Cup
13	3231-31	2	Screw-CARR	30:4:2	1-633585	2	Bearing-Cone, Taper
14	1-811010	1	Plug	30:4:3	103-5302	1	Axle-Caster
15	103-8333	1	Guide-Belt	30:4:4	103-3051	2	Spacer-Nut ■
16	103-8349	1	Guide-Belt	30:4:5	103-0063	2	Seal-Caster
17	1-613235	4	Washer	31	3256-26	2	Washer-Flat
18	322-6	2	Screw-HH	32	3296-45	2	Nut-Lock, NI
19	1-633060	2	Spacer-Wheel, Short	33	325-17	2	Screw-HH
20	103-6596-03	2	Rod-Push	34	116-8323	1	Guide-Belt
21	130-2879	1	Drive Shield ASM	37	103-3351-03	1	Fork-Rear Caster
21:2	130-2878	1	Decal-Belt Routing	38	103-9027	1	Seal-Grease
21:3	98-4361	1	Decal-Warning	39	103-9028	2	Bearing-Roller, Cone Taper
22	321-3	1	Screw-HH	40	1-633508	6	Washer-Bellville
23	103-4155	2	Pin-Lynch	41	3296-51	1	Nut-Lock, NI
24	103-9476	1	Lift Shield ASM	42	103-9057	1	Cap-Grease
24:1		1	Shield-Lift ●	43	3256-8	1	Washer-Flat
24:1:1	1-803035	2	Rivet-Pop	44	103-9029	2	Cup-Tapered, Roller Bearing
24:1:2	103-8819	1	Flap-Guard	45	116-7272-03	1	Shield-Heat
24:1:3	103-9114-03	1	Plate-Decal				

● Not serviced separately

■ Use Pro-Lock, Nut Type (P/N 1-840022, .5ml tube) on threads.

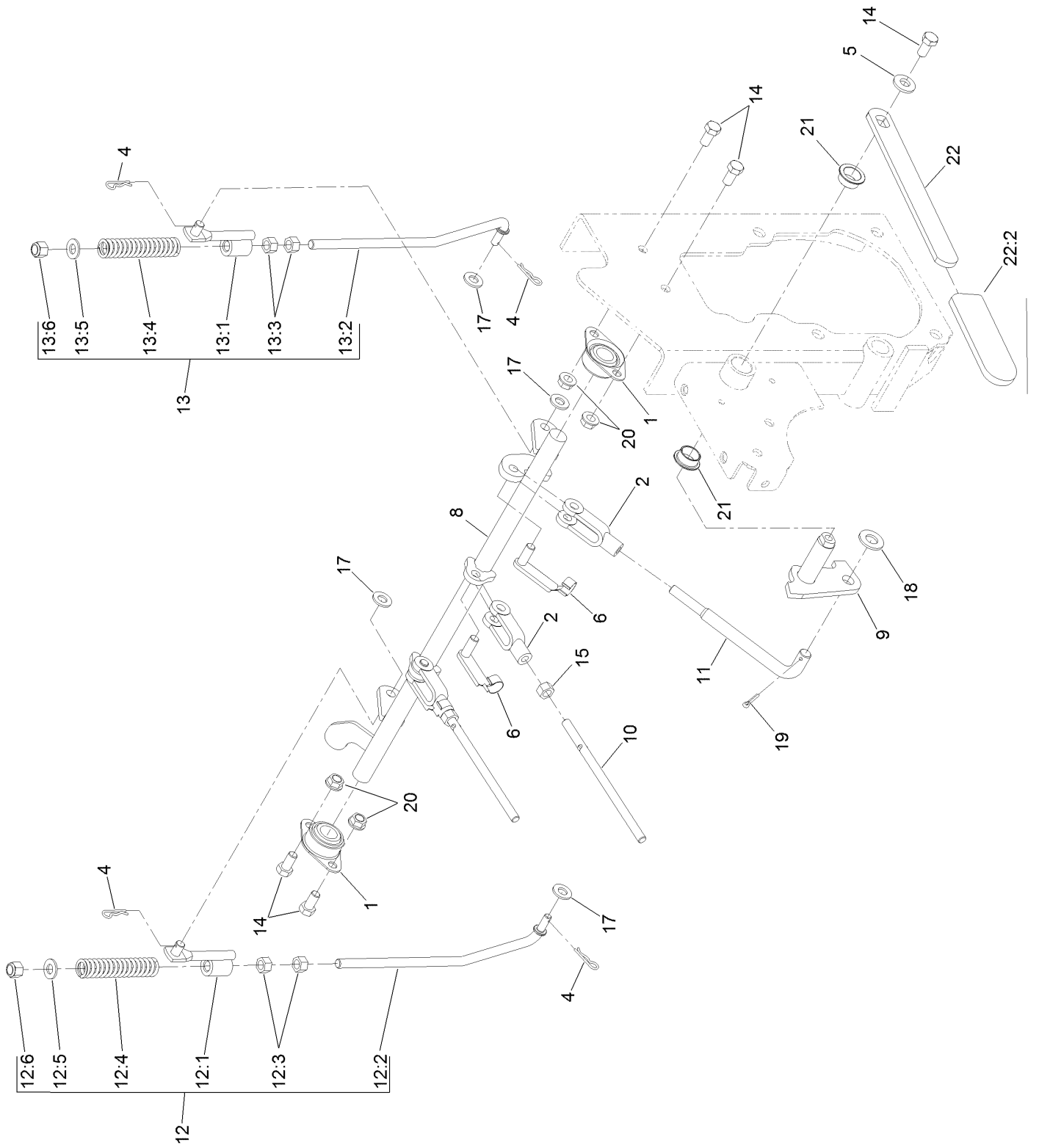
Speed Control Assembly



Speed Control Assembly (continued)

<i>Ref.</i>	<i>Part Number</i>	<i>Qty.</i>	<i>Description</i>	<i>Ref.</i>	<i>Part Number</i>	<i>Qty.</i>	<i>Description</i>
1	116-7856	1	Shaft-Speed Control	21:3	1-633152	1	Balljoint-LH
2	3257-5	3	Key-Woodruff	21:4	1-804524	2	Nut
3	116-7372	1	Hub-Center Stop	21:5	103-3060	1	Knob-Tracking
4	116-7414	2	Bushing-Plastic	21:6	103-5945	1	Spacer
5	116-8475	1	Spring-Double Torsion	21:7	116-7492	1	Rod-Steering Linkage
6	321-11	1	Screw-HH	21:8	3219-2	1	Nut-Hex
7	116-8444	1	RH Control Hub ASM	28	322-6	4	Screw-HH
7:2	103-4398	2	Bearing-Flange, Iglide	29	104-8300	7	Nut-Flange, NI
8	116-7380	1	Spring-Torsion, RH	30	116-9246	2	Handle ASM
9	116-7408	1	RH Steering Handle ASM	30:2	103-5994	1	Grip-Handle, Steering
9:2	116-7422	2	Bearing-Flange, Iglide	32	321-5	4	Screw-HH
10	116-7416	1	LH Control Hub ASM	33	32128-33	4	Nut-HF
10:2	103-4398	2	Bearing-Flange, Iglide	34	103-5009	2	Disc-Friction
11	116-7381	1	Spring-Torsion, LH	35	116-7846	1	Plate-Friction, Speed Control
12	116-7421	1	LH Steering Handle ASM	36	116-7845	1	Lever-Speed Control
12:2	116-7422	2	Bearing-Flange, Iglide	37	116-7849	1	Plate-Friction, Speed Control
13	103-4342	2	Hub-Speed Control	38	103-5018	3	Washer-Spring Disc
14	108-0989	6	Screw-Set	39	3296-19	1	Nut-Hex
15	3296-56	1	Nut-Lock, NI	40	116-7848	1	Screw-HH
16	1-633102	2	Bearing-Flange, Side	41	116-7859	1	Hub-Speed Control
17	323-4	4	Screw-HH	43	3256-23	1	Washer-Flat
18	3290-357	6	Nut-HHF, Whiz	44	323-8	1	Screw-HH
19	3256-3	9	Washer-Flat	45	103-4397	1	Knob-Ball, Speed Control
20	116-9667	1	RH Pump Linkage ASM	46	3218-3	1	Nut-Jam
20:1	1-323245	2	Spring-Compression	47	116-7384	1	Console ASM
20:2	1-543017	1	Balljoint-RH	48	103-5993-03	1	Guide-Plenum
20:3	1-633152	1	Balljoint-LH	49	322-3	6	Screw-HH
20:4	1-804524	2	Nut	50	32128-20	3	Nut-HF
20:5	116-7492	1	Rod-Steering Linkage	51	103-8494	1	Hook
20:6	3219-2	2	Nut-Hex	52	322-5	3	Screw-HH
21	116-9668	1	LH Pump Linkage ASM				
21:1	1-323245	2	Spring-Compression				
21:2	1-543017	1	Balljoint-RH				

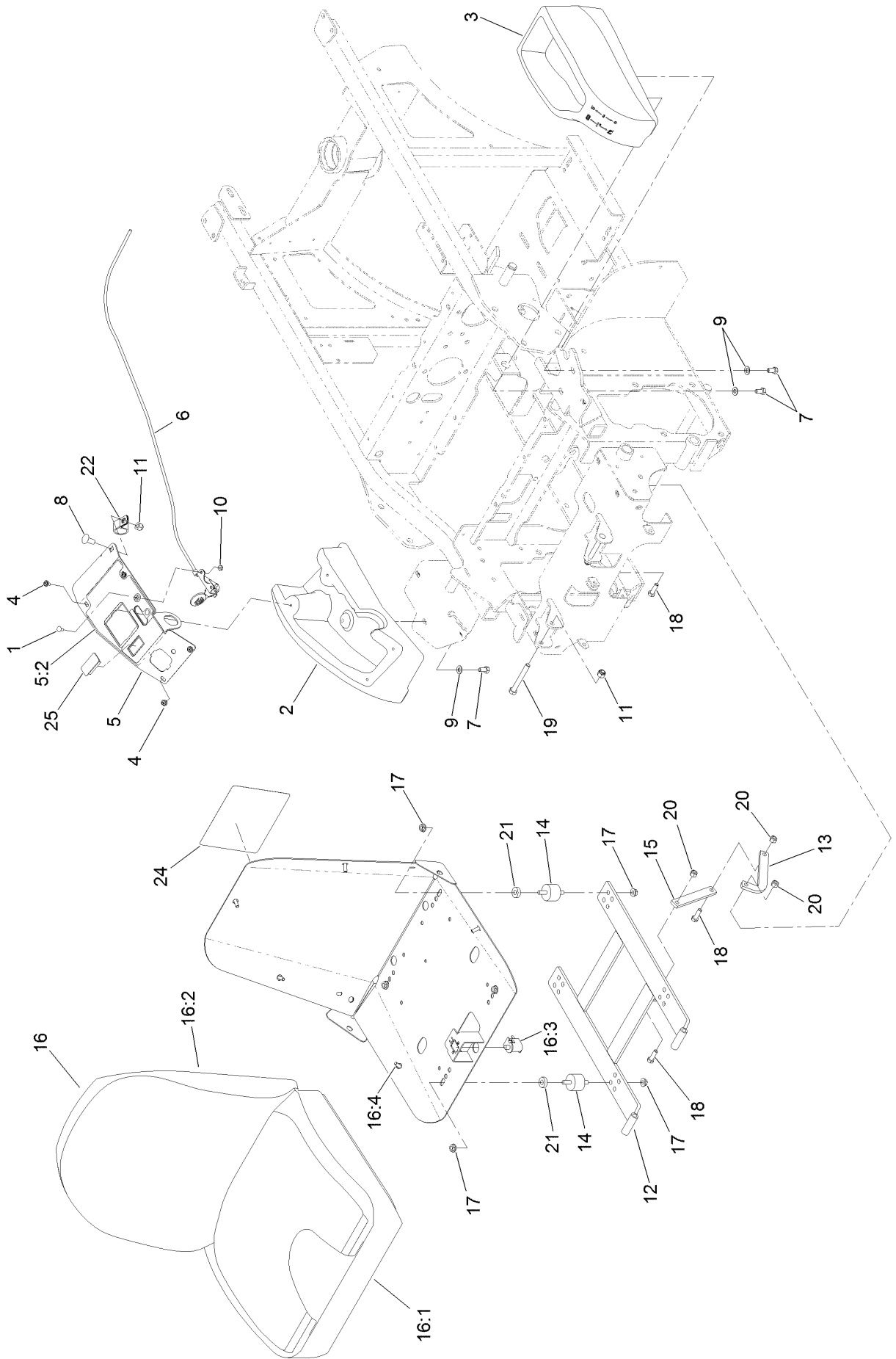
Parking Brake Assembly



Parking Brake Assembly (continued)

<i>Ref.</i>	<i>Part Number</i>	<i>Qty.</i>	<i>Description</i>	<i>Ref.</i>	<i>Part Number</i>	<i>Qty.</i>	<i>Description</i>
1	1-633102	2	Bearing-Flange, Side	13	116-9749	1	LH Brake Linkage ASM
2	1-633131	3	Yoke-Linkage, Brake	13:1	116-8467	1	Brake Linkage ASM
4	1-806003	4	Pin-Cotter, Hair	13:2	116-8464	1	Link-Brake, LH
5	98-5975	1	Washer-Belleville	13:3	3219-3	2	Nut-Hex
6	103-2399	3	Pin-Spring, Clevis	13:4	116-8470	1	Spring-Compression
8	116-7483-03	1	Shaft-Brake	13:5	3256-24	1	Washer-Flat
9	116-7486	1	Pivot-Brake	13:6	3296-6	1	Nut-Lock
10	116-7838	2	Rod-Linkage, Brake	14	323-4	5	Screw-HH
11	116-8474	1	Rod-Linkage, Brake	15	3219-3	2	Nut-Hex
12	116-9748	1	RH Brake Linkage ASM	17	3256-24	4	Washer-Flat
12:1	116-8467	1	Brake Linkage ASM	18	3256-26	1	Washer-Flat
12:2	116-8465	1	Link-Brake, RH	19	3272-10	1	Pin-Cotter
12:3	3219-3	2	Nut-Hex	20	3290-357	4	Nut-HHF, Whiz
12:4	116-8470	1	Spring-Compression	21	108519	2	Bushing-Bronze
12:5	3256-24	1	Washer-Flat	22	103-9469	1	Park Brake Handle ASM
12:6	3296-6	1	Nut-Lock	22:2	1-633268	1	Grip-Lever

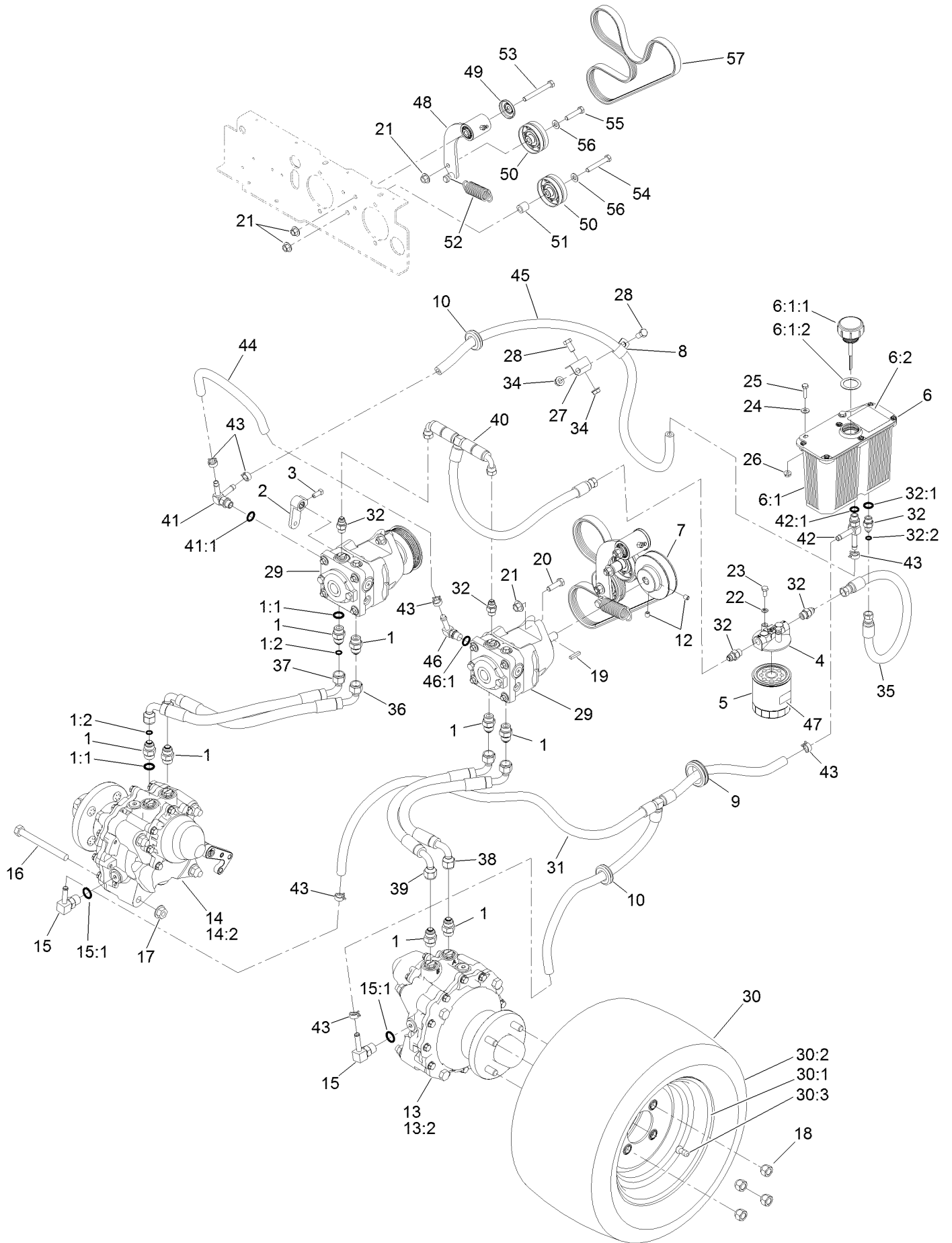
Seat and Consoles Assembly



Seat and Consoles Assembly (continued)

<i>Ref.</i>	<i>Part Number</i>	<i>Qty.</i>	<i>Description</i>	<i>Ref.</i>	<i>Part Number</i>	<i>Qty.</i>	<i>Description</i>
1	1-807513	2	Bolt-CARR	15	103-8563	1	Link-Seat
2	130-2857	1	Console-RH	16	130-2852	1	Seat ASM
3	130-2858	1	Console-LH	16:1	121-4751	1	Cushion-Seat, Bottom
4	109-2661	4	Screw-PPH	16:2	121-4752	1	Cushion-Seat, Back
5	130-2895	1	Control Panel ASM	16:3	82-2190	1	Switch-Bail
5:2	130-2881	1	Decal-Control	16:4	103-8383	5	Bolt-Seat
6	109-4641	1	Cable-Throttle	17	32128-20	8	Nut-HF
7	322-2	6	Screw-HH	18	322-5	3	Screw-HH
8	3231-27	1	Screw-CARR	19	323-14	2	Screw-HH
9	3256-23	6	Washer-Flat	20	3296-29	3	Nut-Lock, NI
10	3296-2	2	Nut-Lock, NI	21	5-0652	4	Spacer
11	3296-39	3	Nut-Lock, NI	22	1-643312	1	Clip-Loom
12	103-4362-03	1	Frame-Seat	24	116-1175	1	Decal-Service Aid
13	116-9554	1	Link-Seat Stop	25	99-7420	1	Plug-Hole
14	103-5496	4	Mount-Vibration, Rubber				

Hydraulic Assembly



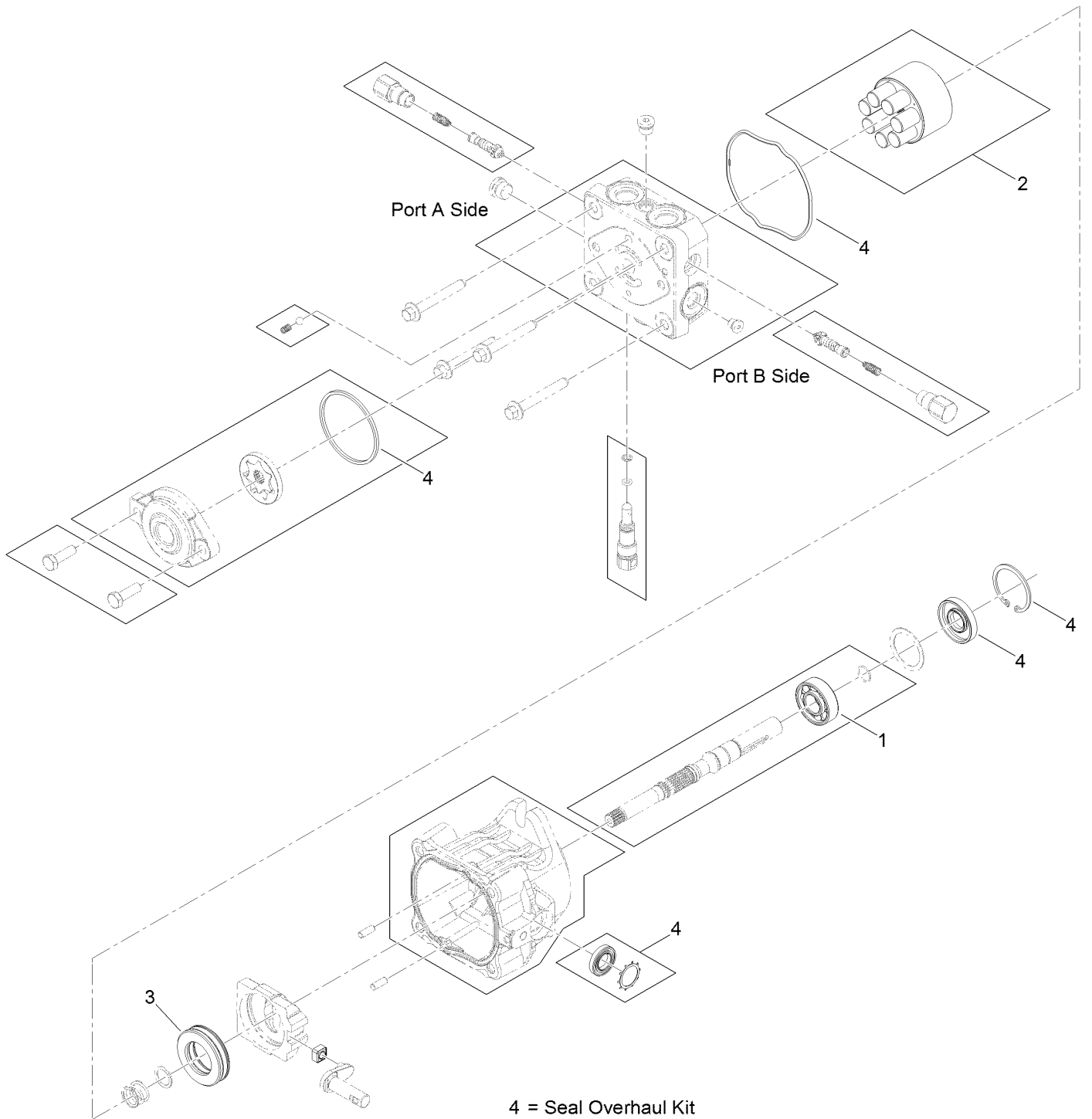
Hydraulic Assembly (continued)

<i>Ref.</i>	<i>Part Number</i>	<i>Qty.</i>	<i>Description</i>	<i>Ref.</i>	<i>Part Number</i>	<i>Qty.</i>	<i>Description</i>
1	1-603990	8	Fitting-Straight	29	116-7836	2	Hydraulic Pump ASM
1:1	1-603920	1	O-Ring	30	130-2869	2	Wheel And Tire ASM
1:2	1-603992	1	O-Ring	30:1	130-2868	1	Wheel
2	1-632208	2	Arm-Control, Pump	30:2	105-1945	1	Tire
3	120-6474	2	Screw-Set, SQH	30:3	232-27	1	Stem-Valve
4	104-7836	1	Head-Filter	31	116-7831	1	Hydraulic Hose ASM
5	114-3494	1	Element-Filter, 25 Micron	32	103-2156	5	Fitting-Straight
6	116-9274	1	Reservoir ASM	32:1	1-603921	1	O-Ring
6:1		1	Reservoir-HYD ■	32:2	103-1020	1	O-Ring
6:1:1	116-9273	1	Reservoir Cap ASM	34	3290-357	2	Nut-HHF, Whiz
6:1:2	103-1949	1	Gasket-Cap	35	109-1258	1	Hose-HYD
6:2	115-4212	1	Decal-Warning	36	116-7827	1	Hydraulic Hose ASM
7	103-4246	2	Sheave	37	116-7828	1	Hydraulic Hose ASM
8	1-633396	1	Clip-Loom	38	116-7829	1	Hydraulic Hose ASM
9	103-7706	1	Grommet	39	116-7830	1	Hydraulic Hose ASM
10	1-543286	2	Grommet	40	109-1264	1	Hydraulic Hose ASM
12	1-803310	4	Screw-Set	41	103-5469	1	Adapter-Tee
13	116-7401	1	Motor-HYD, LH	41:1	237-42	1	O-Ring
13:2	116-0315	1	Seal Kit ●	42	103-1828	1	Adapter-Run, Tee
14	116-7402	1	Motor-HYD, RH	42:1	237-42	1	O-Ring
14:2	116-0315	1	Seal Kit	43	103-1988	7	Clamp-Hose
15	354-134	2	Fitting-HYD, 90 DEG	44	103-5452	1	Hose-HYD
15:1	237-79	1	O-Ring	45	103-5477	1	Hose-HYD
16	325-19	8	Screw-HH	46	100-4887	1	Fitting-Barbed, 90 DEG
17	32128-49	8	Nut-HHF	46:1	237-42	1	O-Ring
18	242-50	8	Nut-Lug	47	116-0168	1	Decal
19	1-807272	2	Key	48	103-7349	1	Short Idler ASM
20	323-7	4	Screw-HH	49	103-2916	1	Guard-Top
21	32128-43	7	Nut-Flange	50	116-6361	2	Pulley
22	1-805004	2	Washer-Lock	51	106-5574	1	Spacer-Mounting, Steering
23	321-3	2	Screw-HH	52	1-653331	1	Spring-Idler
24	3256-22	2	Washer-Flat	53	323-20	1	Screw-HH
25	321-6	2	Screw-HH	54	323-12	1	Screw-HH
26	32128-33	2	Nut-HF	55	323-9	1	Screw-HH
27	103-8631	1	Bracket-Clamp	56	3256-24	2	Washer-Flat
28	323-4	2	Screw-HH	57	130-2871	1	Belt-V

● Not illustrated

■ Not serviced separately

Hydraulic Pump Assembly No. 116-7836

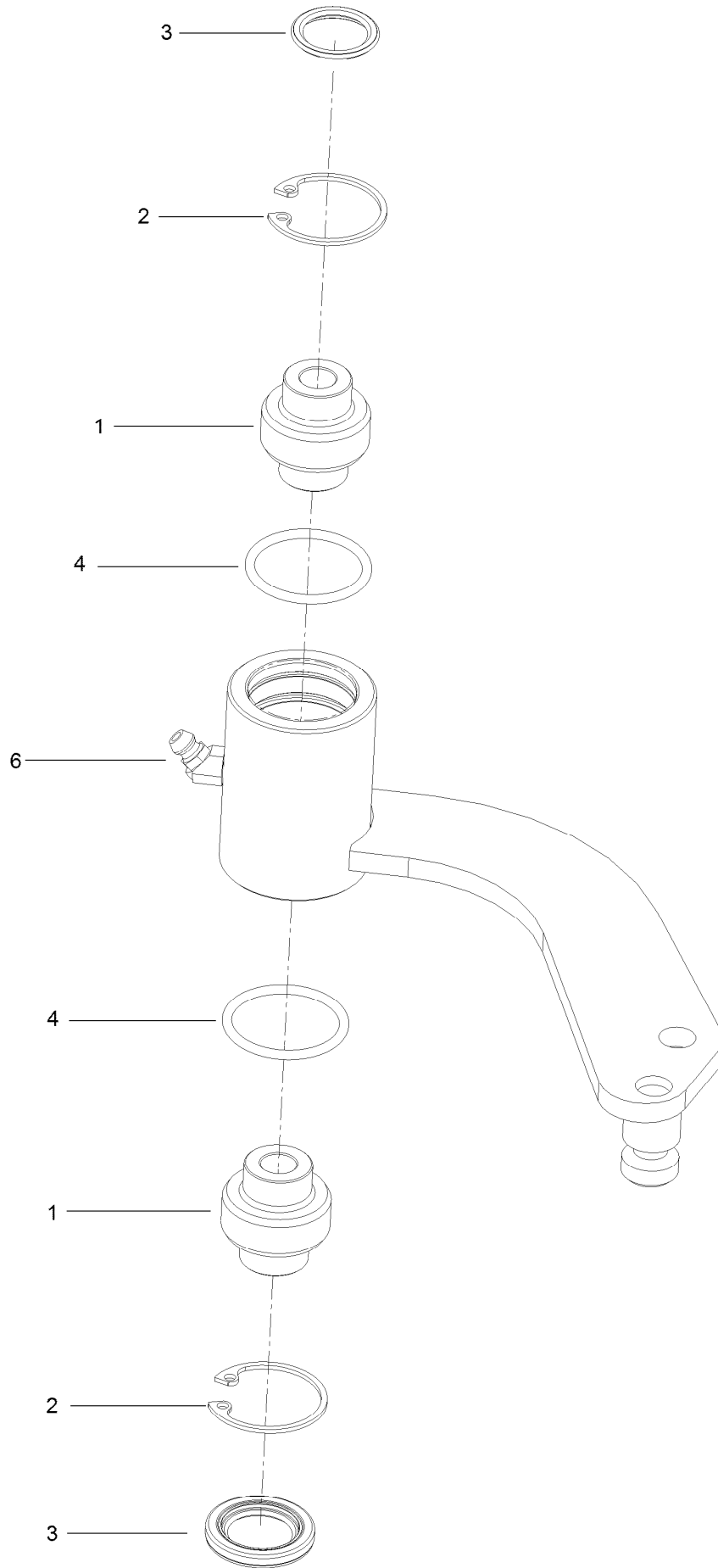


Hydraulic Pump Assembly No. 116-7836 (continued)

<i>Ref.</i>	<i>Part Number</i>	<i>Qty.</i>	<i>Description</i>
1	104-5311	1	Bearing-Ball
2	103-7443	1	Cylinder Block Kit

<i>Ref.</i>	<i>Part Number</i>	<i>Qty.</i>	<i>Description</i>
3	121-3235	1	Bearing-Thrust, Plastic Cage
4	105-6184	1	Seal Overhaul Kit

Idler Assembly No. 103-7349

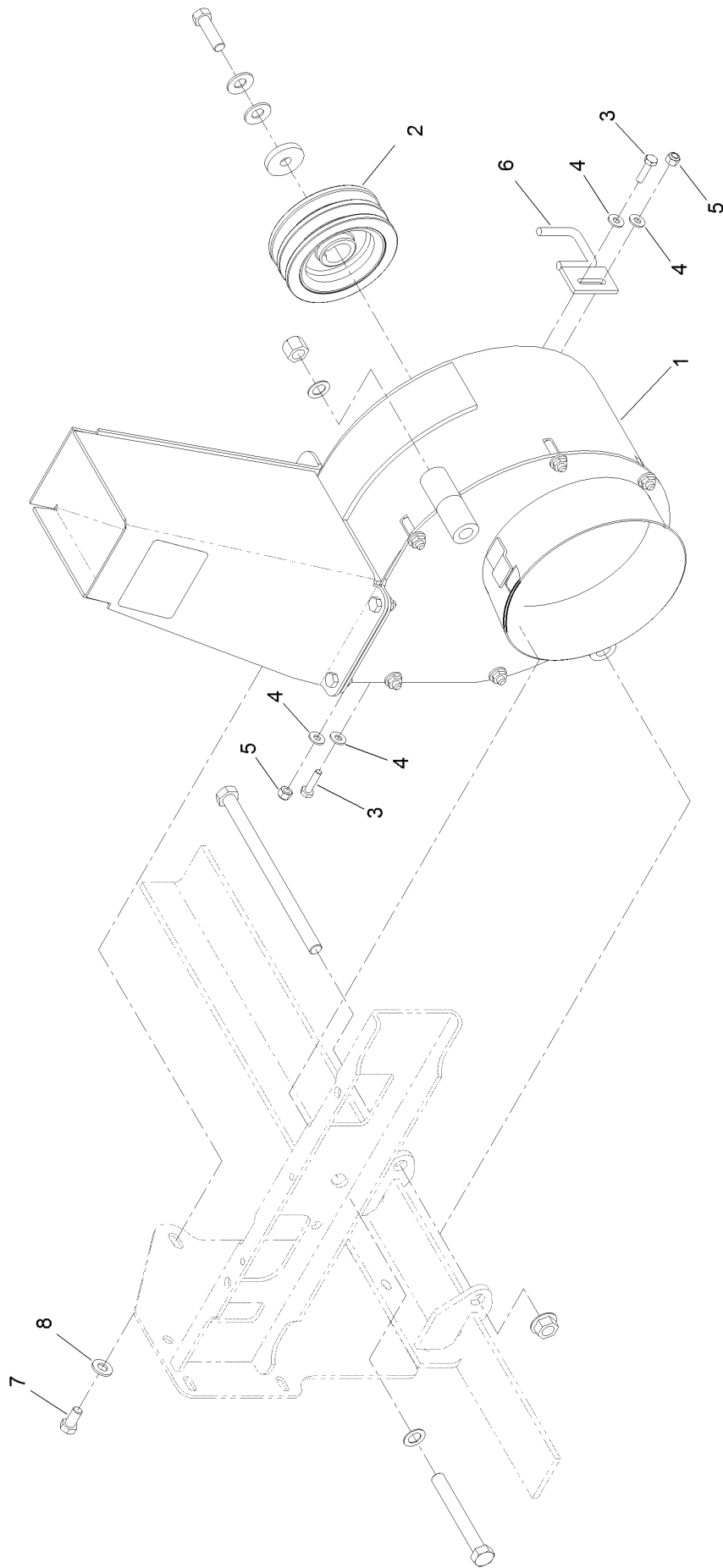


Idler Assembly No. 103-7349 (continued)

<i>Ref.</i>	<i>Part Number</i>	<i>Qty.</i>	<i>Description</i>
1	103-3504	2	Bearing-Spherical
2	32120-10	2	Ring-Snap
3	103-3506	2	Seal-Single Lip

<i>Ref.</i>	<i>Part Number</i>	<i>Qty.</i>	<i>Description</i>
4	106-7159	2	O-Ring
6	302-11	1	Fitting-Lube, 45 DEG

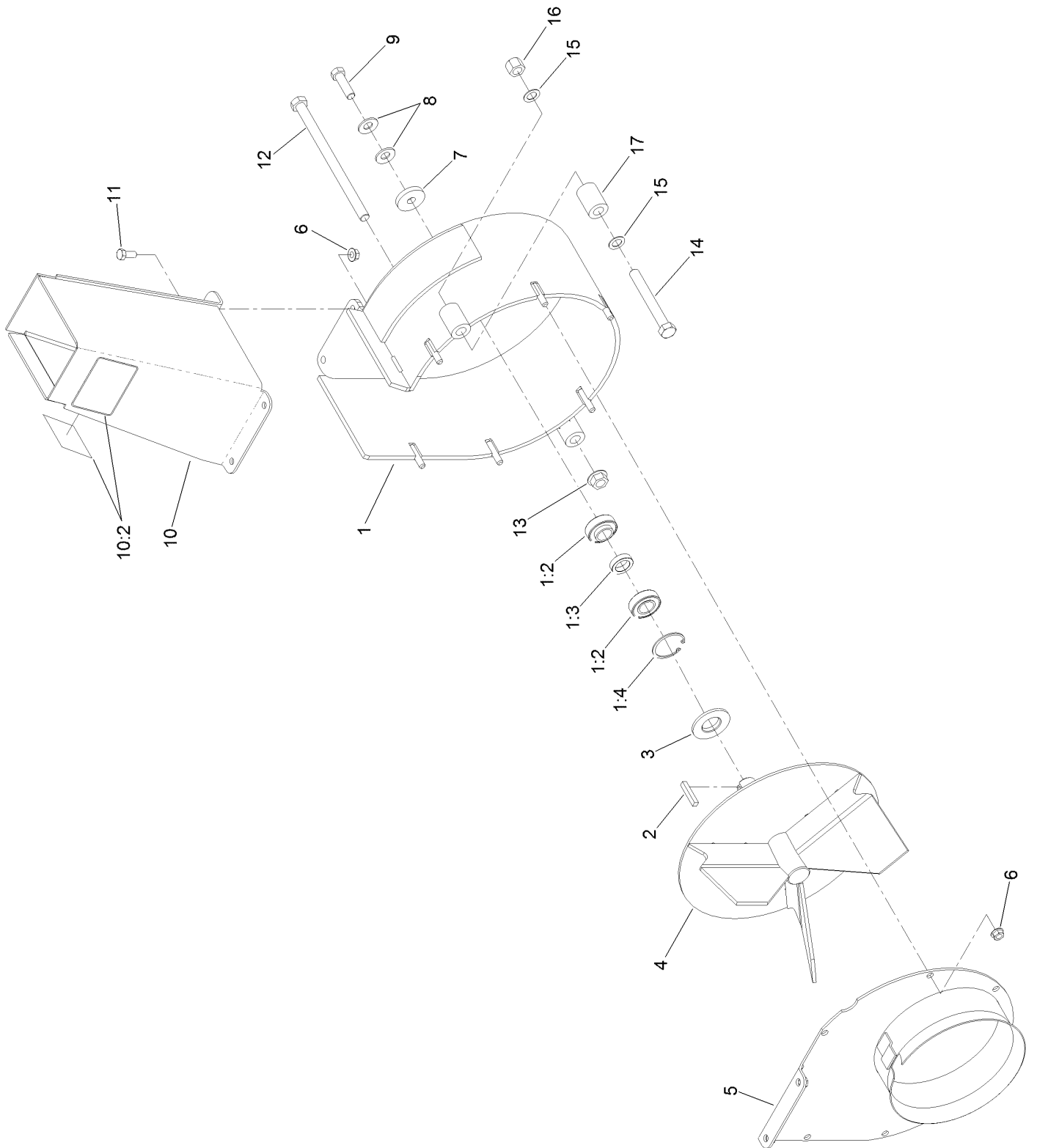
Blower Mounting Assembly



Blower Mounting Assembly (continued)

<i>Ref.</i>	<i>Part Number</i>	<i>Qty.</i>	<i>Description</i>	<i>Ref.</i>	<i>Part Number</i>	<i>Qty.</i>	<i>Description</i>
1	116-9649	1	Blower ASM	5	3296-42	2	Nut-Lock, NI
2	103-6733	1	Sheave-Blower	6	103-9167-03	1	Guide
3	321-6	2	Screw-HH	7	323-4	1	Screw-HH
4	3256-22	4	Washer-Flat	8	3256-24	1	Washer-Flat

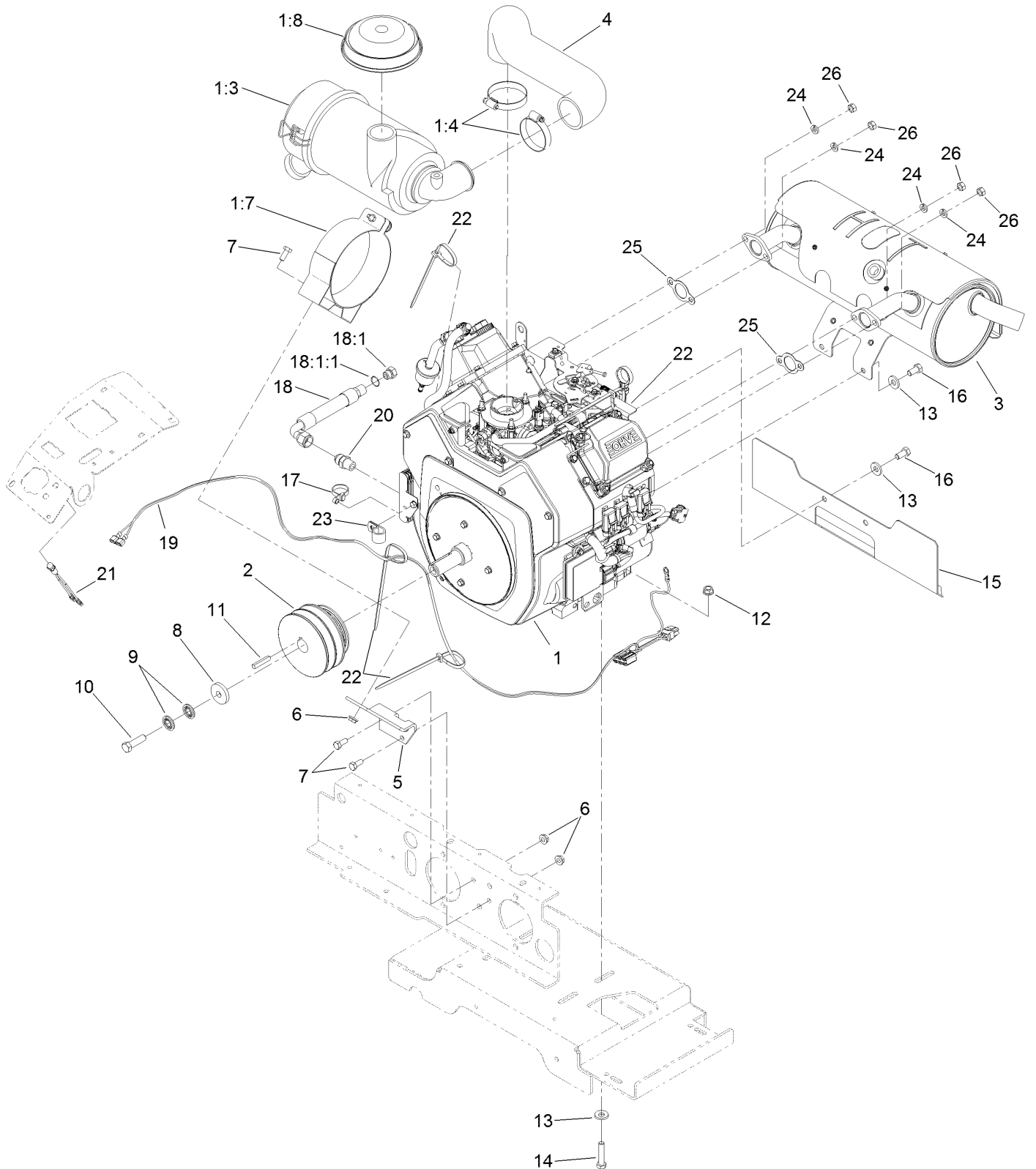
Blower Assembly No. 116-9649



Blower Assembly No. 116-9649 (continued)

<i>Ref.</i>	<i>Part Number</i>	<i>Qty.</i>	<i>Description</i>	<i>Ref.</i>	<i>Part Number</i>	<i>Qty.</i>	<i>Description</i>
1	116-9648	1	Housing ASM	9	3212-6	1	Screw-HH
1:2	103-3540	2	Bearing-Ball	10	103-9474	1	Discharge Chute ASM
1:3	103-4921	1	Spacer-Bearing	10:2	109-7318	2	Decal-Danger Impeller
1:4	32120-8	2	Ring-Snap	11	322-3	4	Screw-HH
2	67-7490	1	Key-Square	12	325-42	1	Screw-HH
3	103-3894	1	Spacer-Blower	13	32128-23	1	Nut-HF
4	103-5194	1	Impeller-3 Blade	14	325-17	1	Screw-HH
5	103-3370-03	1	Cover-Blower	15	18-9810	2	Washer-Thrust
6	32128-20	10	Nut-HF	16	3296-23	1	Nut-Lock, NI
7	1-543610	1	Washer-Clutch	17	103-6999	1	Spacer-Mount
8	1-603610	2	Washer-Spring				

Engine, Muffler and Air Cleaner Assembly



Engine, Muffler and Air Cleaner Assembly (continued)

<i>Ref.</i>	<i>Part Number</i>	<i>Qty.</i>	<i>Description</i>	<i>Ref.</i>	<i>Part Number</i>	<i>Qty.</i>	<i>Description</i>
1		1	Engine-Kohler, Ps-Ech-730-3035 ●■	13	98-5975	8	Washer-Belleville
1:3	103-8569	1	Air Cleaner Canister ASM	14	323-9	4	Screw-HH
1:4	2412-42	2	Clamp-Hose	15	109-0181-03	1	Shield-Exhaust
1:7	103-1058	1	Bracket-Filter, Air	16	323-4	4	Screw-HH
1:8	100-2436	1	Hood	17	109-7896	1	Tie-Cable
2	103-6731	1	Sheave-Engine	18	116-5338	1	Oil Drain Hose ASM
3	116-3961	1	Muffler	18:1	353-508	1	Plug-HH
4	116-4016	1	Hose-Air Intake	18:1:1	237-42	1	O-Ring
5	103-3695-03	1	Bracket-Air Filter	19	116-4543	1	Harness-Light Indicator (Efi)
6	32128-20	4	Nut-HF	20	116-1455	1	Fitting-Straight ▲
7	322-3	4	Screw-HH	21	1-643267	1	Indicator-Led, Red
8	1-543610	1	Washer-Clutch	22	1-303335	4	Tie-Plastic
9	1-603610	2	Washer-Spring	23	1-633396	1	Clip-Loom
10	3212-6	1	Screw-HH ◆	24	1-805005	4	Washer-Lock
11	67-7490	1	Key-Square	25	1-653291	2	Gasket-Exhaust
12	3290-357	4	Nut-HHF, Whiz	26	33014-00	4	Nut-Hex

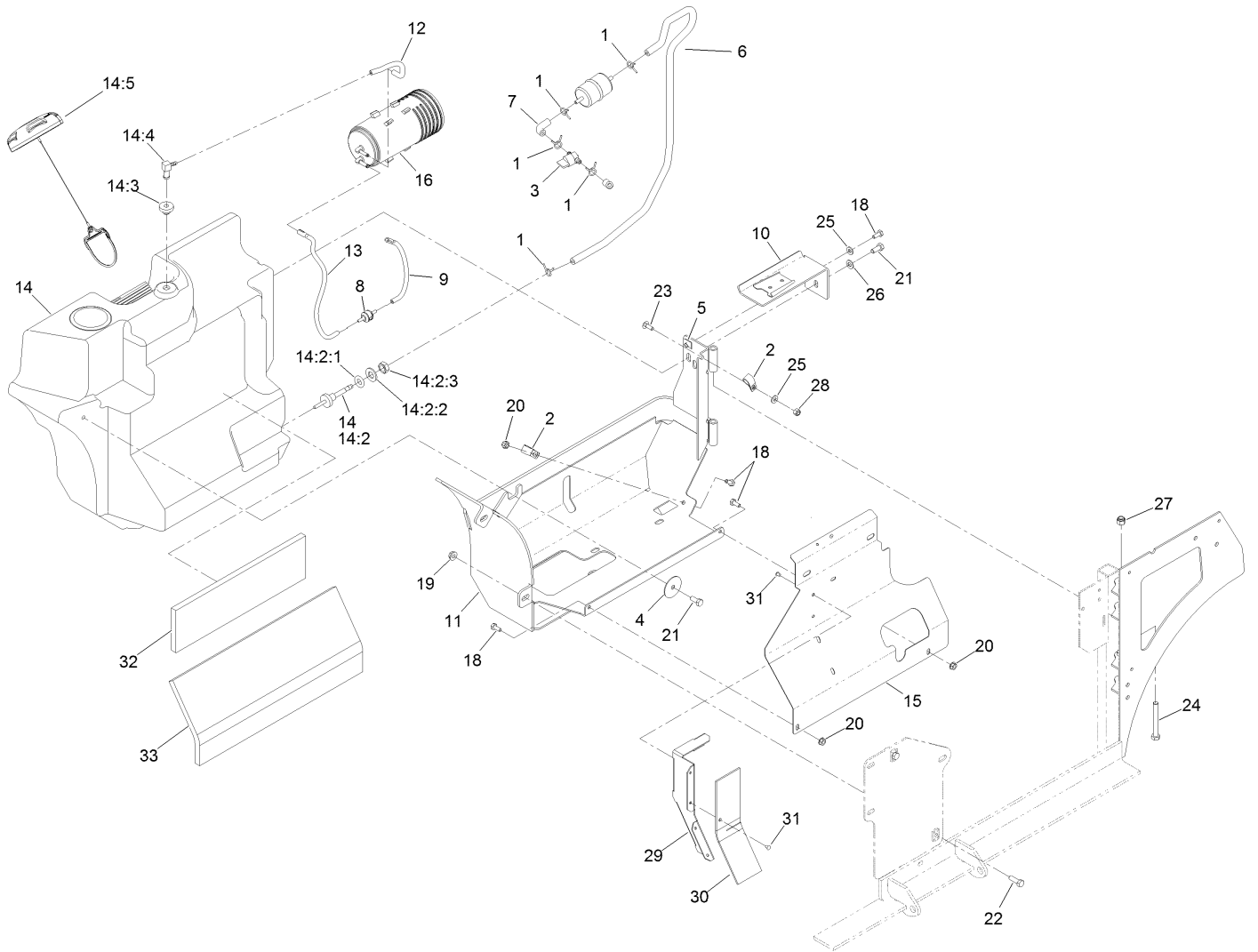
● Not serviced separately

▲ Use a Teflon Pipe Sealant or equivalent on threads.

◆ Use Pro-Lock, Nut Type (P/N 1-840022, .5ml tube) on threads.

■ Obtain parts from www.kohlerplus.com

Fuel Assembly



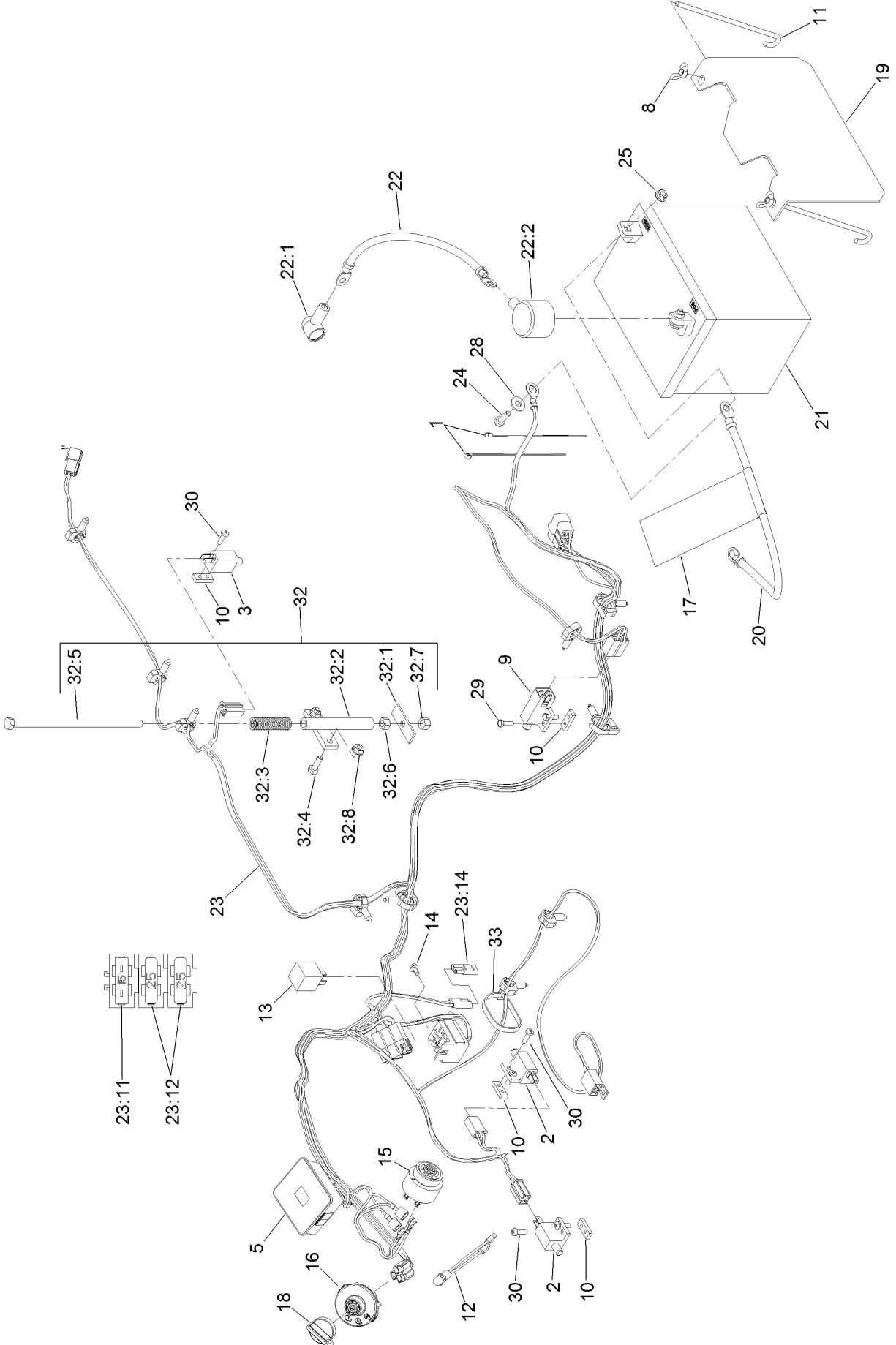
Fuel Assembly (continued)

<i>Ref.</i>	<i>Part Number</i>	<i>Qty.</i>	<i>Description</i>	<i>Ref.</i>	<i>Part Number</i>	<i>Qty.</i>	<i>Description</i>
1	1-303077	5	Clamp	14:5	120-5461	1	Cap-Fuel, Ratcheting
2	1-513762	2	Clip-Loom	15	116-7928-03	1	Panel-Tank Shield
3	1-603770	1	Valve-Fuel	16	117-1221	1	Canister-Carbon, 800Cc
4	1-653036	1	Washer	18	321-3	4	Screw-HH
5	107069	1	Clip	19	32128-20	2	Nut-HF
6	116-5366	1	Fuel Line ASM	20	32128-33	3	Nut-HF
7	109-0304	1	Hose-Fuel	21	322-3	2	Screw-HH ●
8	115-7868	1	Valve-Check, Vacuum	22	322-5	2	Screw-HH ■
9	116-2619	1	Hose-Vent, Formed	23	3229-1	1	Bolt-CARR
10	116-2847-03	1	Canister Bracket ASM	24	323-14	2	Screw-HH
11	116-2848-03	1	Tank Frame ASM	25	3256-22	2	Washer-Flat
12	116-2966	1	Hose-Vent, Formed	26	3256-23	1	Washer-Flat
13	116-2967	1	Hose-Vent, Formed	27	3296-39	2	Nut-Lock, NI
14	116-8365	1	Fuel Tank ASM	28	3296-42	1	Nut-Lock, NI
14:2	103-6057	1	Fitting-Fuel, Bulkhead ●	29	103-7095-03	1	Deflector-Air
14:2:1	103-2784	1	O-Ring	30	103-9658	1	Flap-Rubber
14:2:2	3256-26	1	Washer-Flat	31	1-803035	9	Rivet-Pop
14:2:3	3220-5	1	Nut-Jam	32	103-7825	1	Insulation-Foam Pad, Front
14:3	46-6560	1	Bushing	33	103-7824	1	Insulation-Foam Pad, Rear
14:4	100-1596	1	Fitting-90 DEG				

● Use Pro-Lock, Nut Type (P/N 1-840022, .5ml tube) on threads.

■ Use Pro-Lock retaining type, Part no. 1-840023 (.5cc tube) on threads.

Electrical System Assembly



Electrical System Assembly (continued)

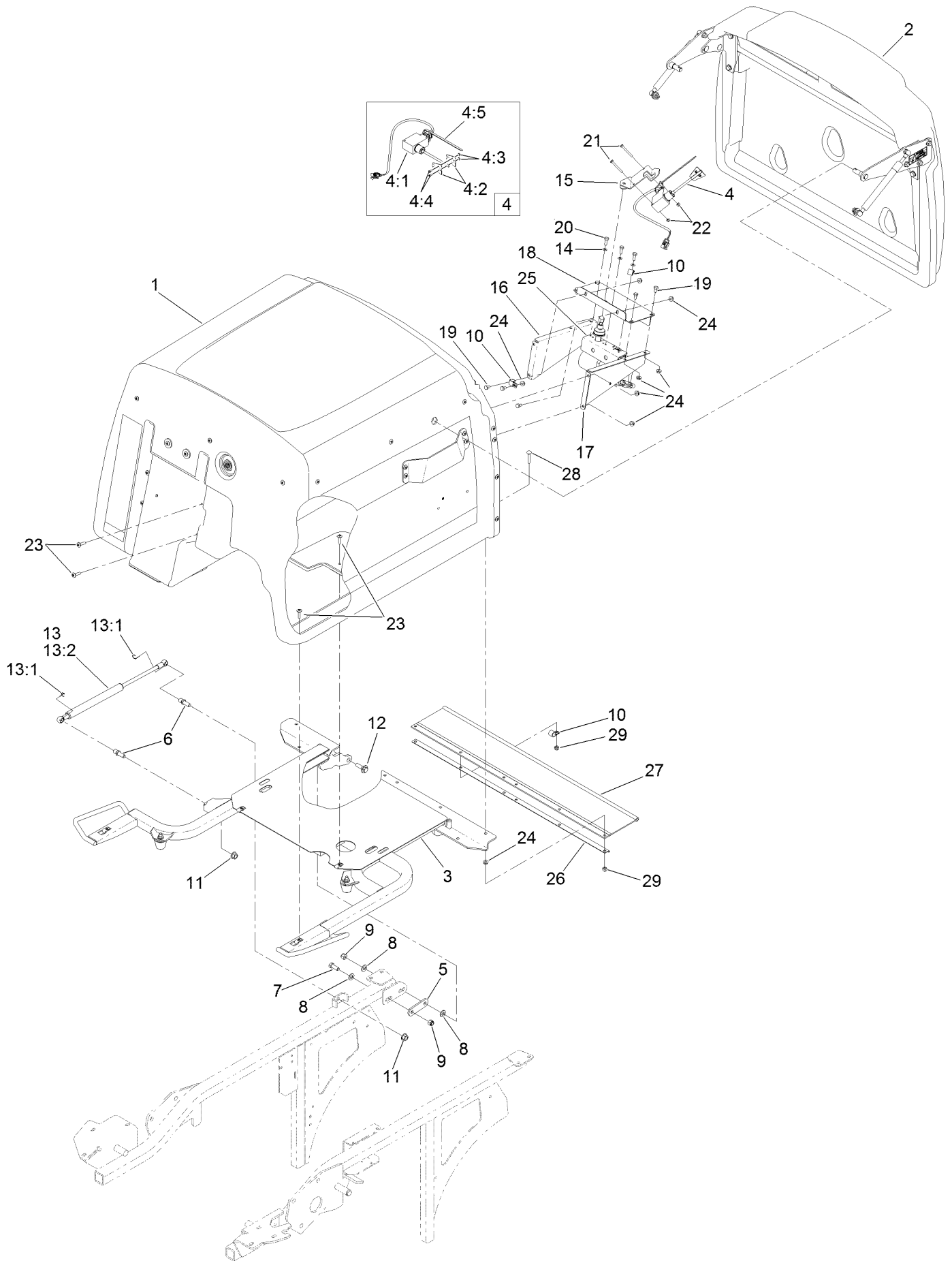
<i>Ref.</i>	<i>Part Number</i>	<i>Qty.</i>	<i>Description</i>	<i>Ref.</i>	<i>Part Number</i>	<i>Qty.</i>	<i>Description</i>
1	1-303287	2	Tie-Cable	23	116-9114	1	Harness-Wiring ▲
2	1-513051	2	Switch-Open, Normally	23:11	109355	1	Fuse-Blade, 15 Amp
3	1-513152	1	Switch-Closed, Normally	23:12	109102	2	Fuse-Blade, 25 Amp
5	116-8812	1	Hour Meter ASM	23:14	116-0053	1	Cap-Plug
8	1-543792	2	Wingnut	24	321-4	4	Screw-HH
9	1-633111	1	Switch	25	32128-33	4	Nut-HF
10	1-633181	4	Plate-Tapped	28	3256-2	2	Washer-Flat
11	1-633651	2	Bolt-Holddown	29	3290-134	2	Screw
12	1-643267	1	Indicator-Led, Red	30	3290-500	6	Screw-PPH
13	1-643275	1	Relay	32	103-8528	1	Hopper Switch Actuator ASM
14	104-2065	1	Screw-HWH	32:1	1-513180	1	Plate-Switch, Seat
15	103-0205	1	Alarm-Tone, Dual	32:2	1-522424-03	1	Mount-Spring, Seat
16	117-2221	1	Switch-Ignition	32:3	1-523415	1	Spring-Switch, Seat
17	103-0295	1	Label-Battery, Wet	32:4	321-4	2	Screw-HH
18	63-8360	1	Key-Ignition	32:5	322-50	1	Screw-HH
19	103-4161-03	1	Hold Down-Battery	32:6	3217-6	1	Nut-Hex
20	103-8355	1	Cable-Battery, Negative	32:7	3296-29	1	Nut-Lock, NI
21		1	Battery (300 Cca, Wet) ●■	32:8	32128-33	2	Nut-HF
22	116-4730	1	Cable-Battery, Positive	33	1-303335	4	Tie-Plastic
22:1	1-543393	1	Insulator-Solenoid				
22:2	109-2407	1	Insulator-Battery				

● Obtain locally.

■ Not serviced separately

▲ Use dielectric grease on all unsealed connectors and terminals only. Do not apply in sealed connectors.

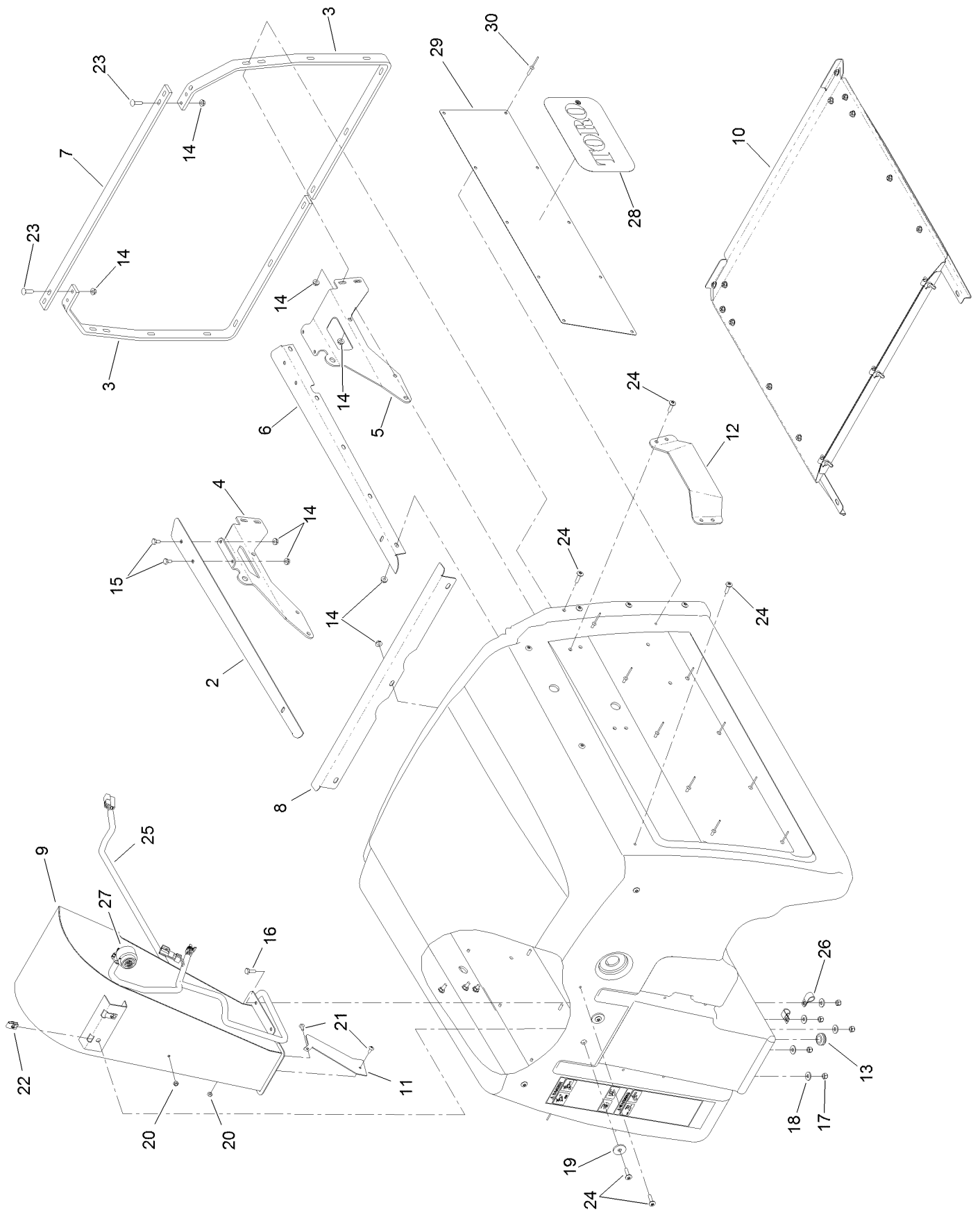
Hopper Mounting Assembly



Hopper Mounting Assembly (continued)

<i>Ref.</i>	<i>Part Number</i>	<i>Qty.</i>	<i>Description</i>	<i>Ref.</i>	<i>Part Number</i>	<i>Qty.</i>	<i>Description</i>
1	130-2872	1	Hopper ASM	13:1	103-8325	2	Clip-Retainer
2	130-2875	1	Hopper Door ASM	13:2	103-5425	1	Shock-Gas Compression
3	109-4086	1	Hopper Frame ASM	14	1-303435	3	Washer-Spring
4	116-9404	1	Fill Sensor ASM	15	109-3648	1	Mount-Switch
4:1	109-3854	1	Fill Sensor Wire Kit	16	103-6067-03	1	Bracket-Drive Motor, LH
4:2	103-8789	2	Flag-Sensor, Fill	17	103-6068-03	1	Bracket-Drive Motor, RH
4:3	3296-9	2	Nut-Lock	18	103-7085-03	1	Plate-Switch
4:4	9107622	2	Screw-Pan	19	321-2	7	Screw-HH
4:5	1-303335	1	Tie-Plastic	20	329-4	3	Screw-HH
5	1-633068	2	Arm-Lift, Deck	21	3250-48	2	Screw-PPH
6	103-5426	2	Stud-Ball	22	3296-2	2	Nut-Lock, NI
7	323-6	2	Screw-HH	23	32105-32	8	Screw-TTH
8	3256-24	6	Washer-Flat	24	32128-33	17	Nut-HF
9	3296-39	4	Nut-Lock, NI	25	103-9121	1	Motor Wiring ASM
10	1-513762	3	Clip-Loom	26	103-6022-03	1	Channel-Hopper Frame
11	33005-00	2	Nut-HF	27	103-6025	1	Deflector-Grass
12	614672	2	Bolt-Shoulder	28	3229-4	6	Screw-CARR
13	109-0716	1	Damper Kit	29	3296-42	6	Nut-Lock, NI

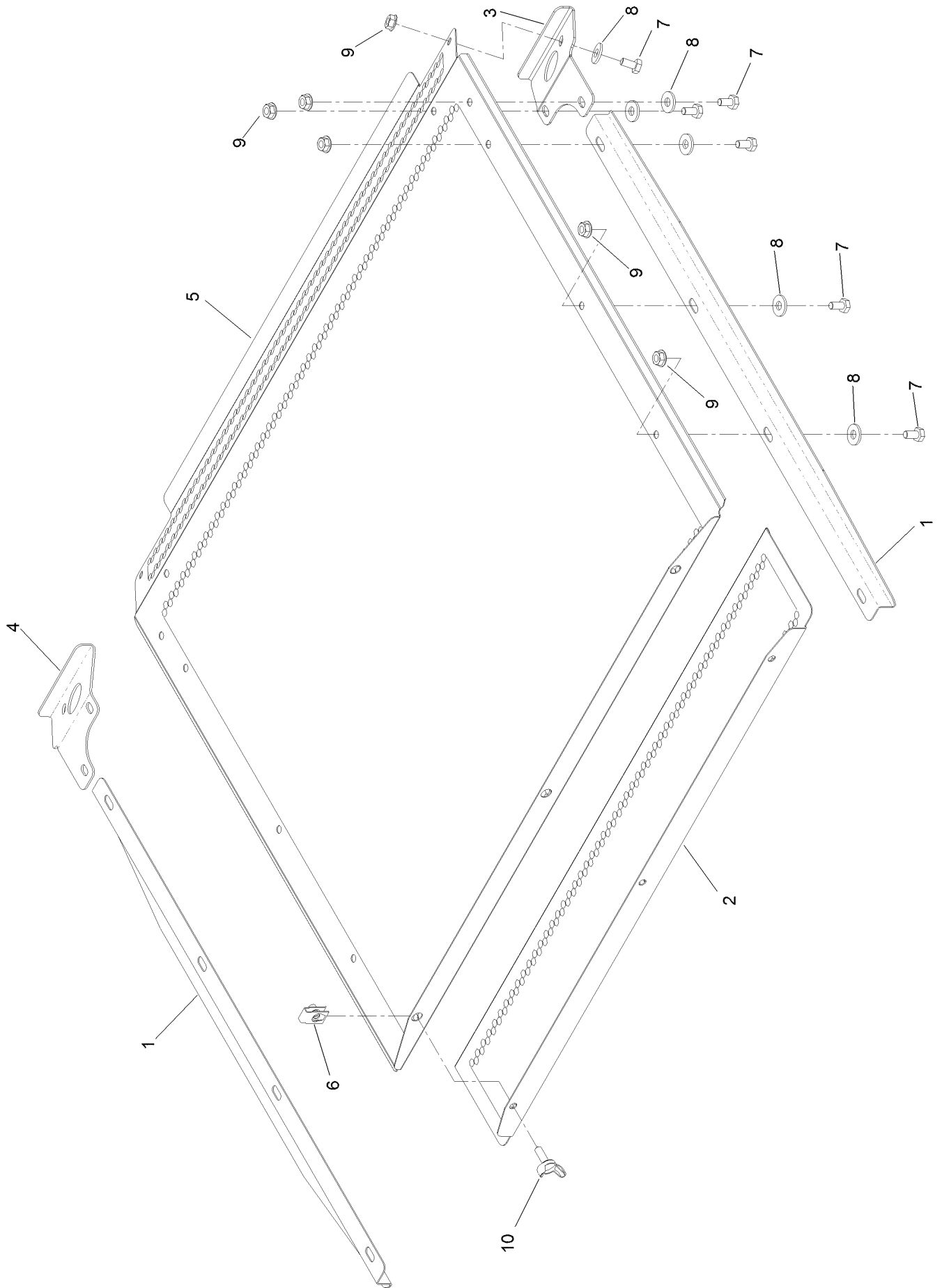
Hopper Assembly No. 130-2872



Hopper Assembly No. 130-2872 (continued)

<i>Ref.</i>	<i>Part Number</i>	<i>Qty.</i>	<i>Description</i>	<i>Ref.</i>	<i>Part Number</i>	<i>Qty.</i>	<i>Description</i>
2	103-5736-03	1	Angle-Screen Track, RH	17	3296-42	5	Nut-Lock, NI
3	103-5045-03	2	Reinforcement-Hopper	18	3256-2	5	Washer-Flat
4	103-5751-03	1	Brace-Door Pivot, RH	19	1-613235	2	Washer
5	103-5749-03	1	Brace-Door Pivot, LH	20	3296-2	2	Nut-Lock, NI
6	103-5774-03	1	Angle-Screen Track, LH	21	32122-30	2	Screw-PTH
7	103-5772-03	1	Bracket-Frame Connect	22	107069	2	Clip
8	103-7035-03	1	Channel-Screen, Front	23	3229-2	4	Screw-CARR
9	109-3650-03	1	Diffuser	24	32105-32	27	Screw-TTH
10	109-0717	1	Hopper Screen ASM	25	103-8800	1	Harness-Wire, Hopper
11	103-8680	1	Deflector-Discharge Chute	26	1-513762	2	Clip-Loom
12	109-4019	2	Plate-Guard	27	103-0205	1	Alarm-Tone, Dual
13	1-543296	1	Grommet	28	130-2885	2	Decal
14	32128-33	33	Nut-HF	29	130-2898	2	Plate-Hopper, Side
15	321-2	4	Screw-HH	30	130-8451	20	Rivet-Trifold
16	321-4	5	Screw-HH				

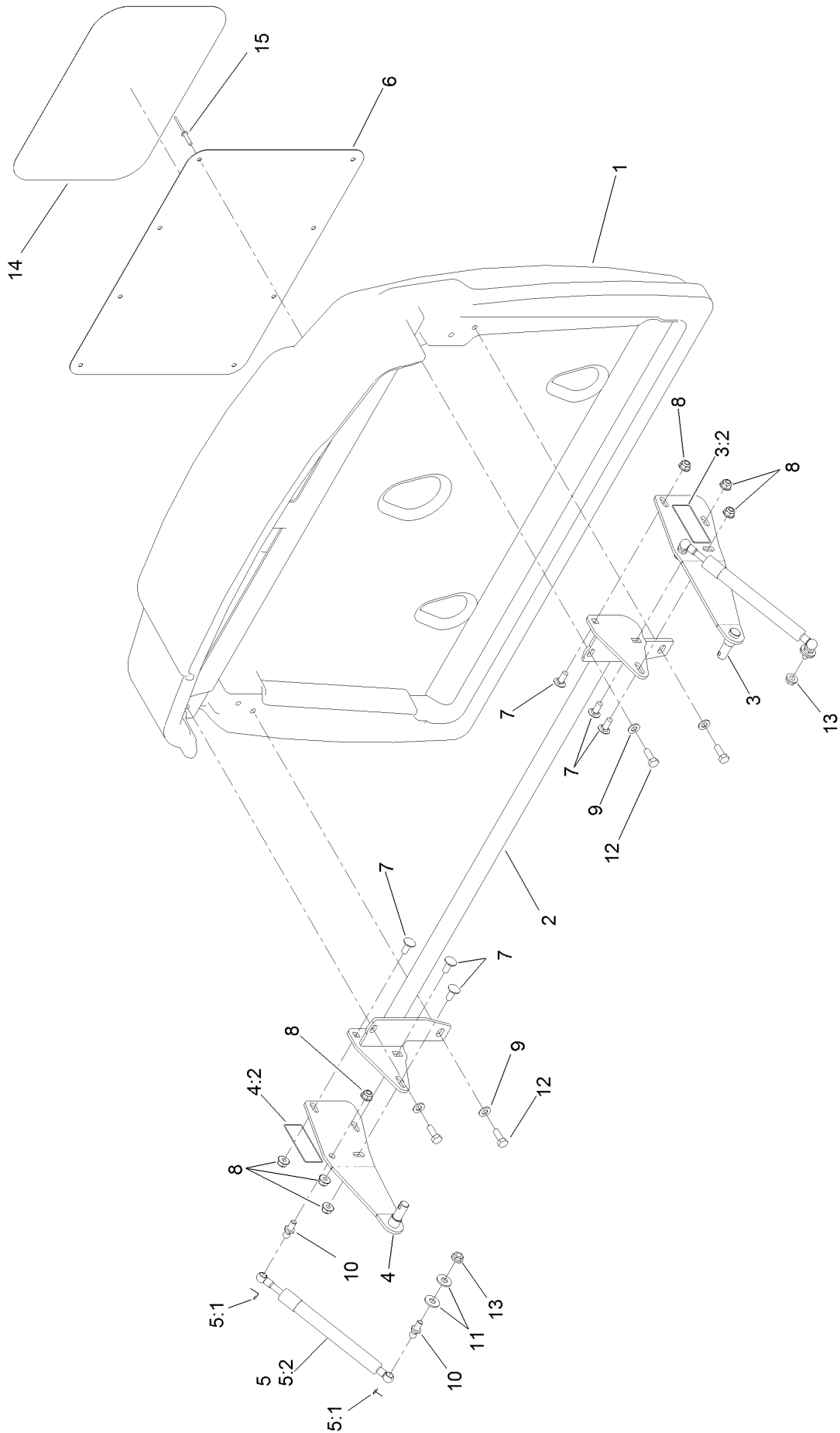
Hopper Screen Assembly No. 109-0717



Hopper Screen Assembly No. 109-0717 (continued)

<i>Ref.</i>	<i>Part Number</i>	<i>Qty.</i>	<i>Description</i>	<i>Ref.</i>	<i>Part Number</i>	<i>Qty.</i>	<i>Description</i>
1	103-8203-03	2	Guide-Screen	6	107069	3	Clip
2	103-7048-03	1	Panel-Screen, Removable	7	321-2	12	Screw-HH
3	103-7098-03	1	Handle-Screen, LH	8	3256-2	12	Washer-Flat
4	103-7099-03	1	Handle-Screen, RH	9	32128-33	12	Nut-HF
5	103-5745-03	1	Panel-Screen, Hopper	10	109-1063	3	Screw-Wing

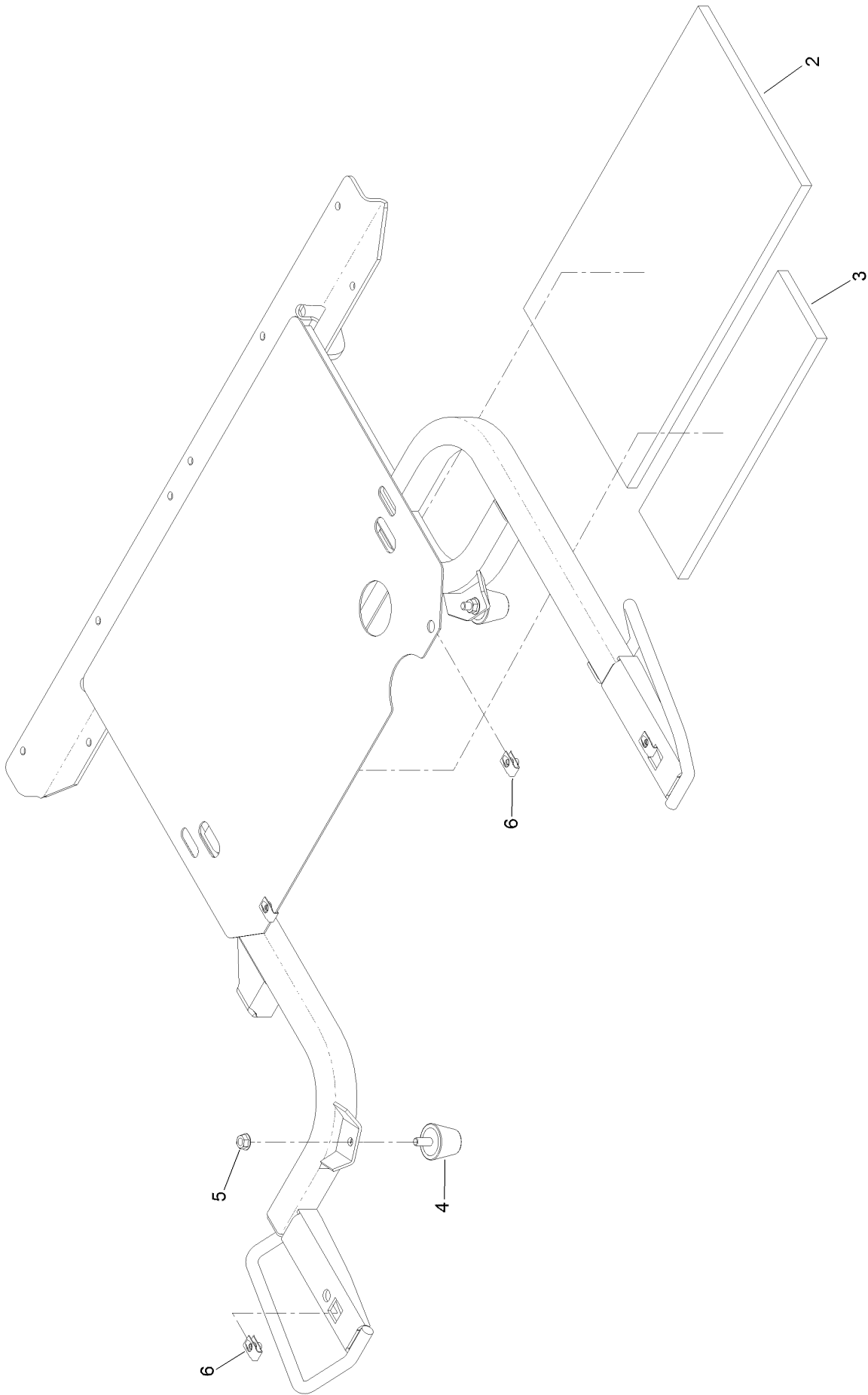
Hopper Door Assembly No. 130-2875



Hopper Door Assembly No. 130-2875 (continued)

<i>Ref.</i>	<i>Part Number</i>	<i>Qty.</i>	<i>Description</i>	<i>Ref.</i>	<i>Part Number</i>	<i>Qty.</i>	<i>Description</i>
1	130-2877	1	Door-Hopper	7	3230-23	6	Screw-CARR
2	109-4153-03	1	Support-Door	8	104-8300	8	Nut-Flange, NI
3	109-4253	1	LH Door Pivot ASM	9	3256-23	4	Washer-Flat
3:2	103-8444	1	Decal-Pinch Point	10	103-5752	4	Stud-Ball
4	109-4254	1	RH Door Pivot ASM	11	3256-3	4	Washer-Flat
4:2	103-8444	1	Decal-Pinch Point	12	322-4	4	Screw-HH
5	109-0715	2	Damper Kit	13	32128-20	2	Nut-HF
5:1	103-8324	2	Clip-Retainer	14	130-2886	1	Decal
5:2	103-5746	1	Shock-Gas Tension	15	130-8451	8	Rivet-Trifold
6	130-8450-03	1	Plate-Door, Hopper				

Hopper Frame Assembly No. 109-4086

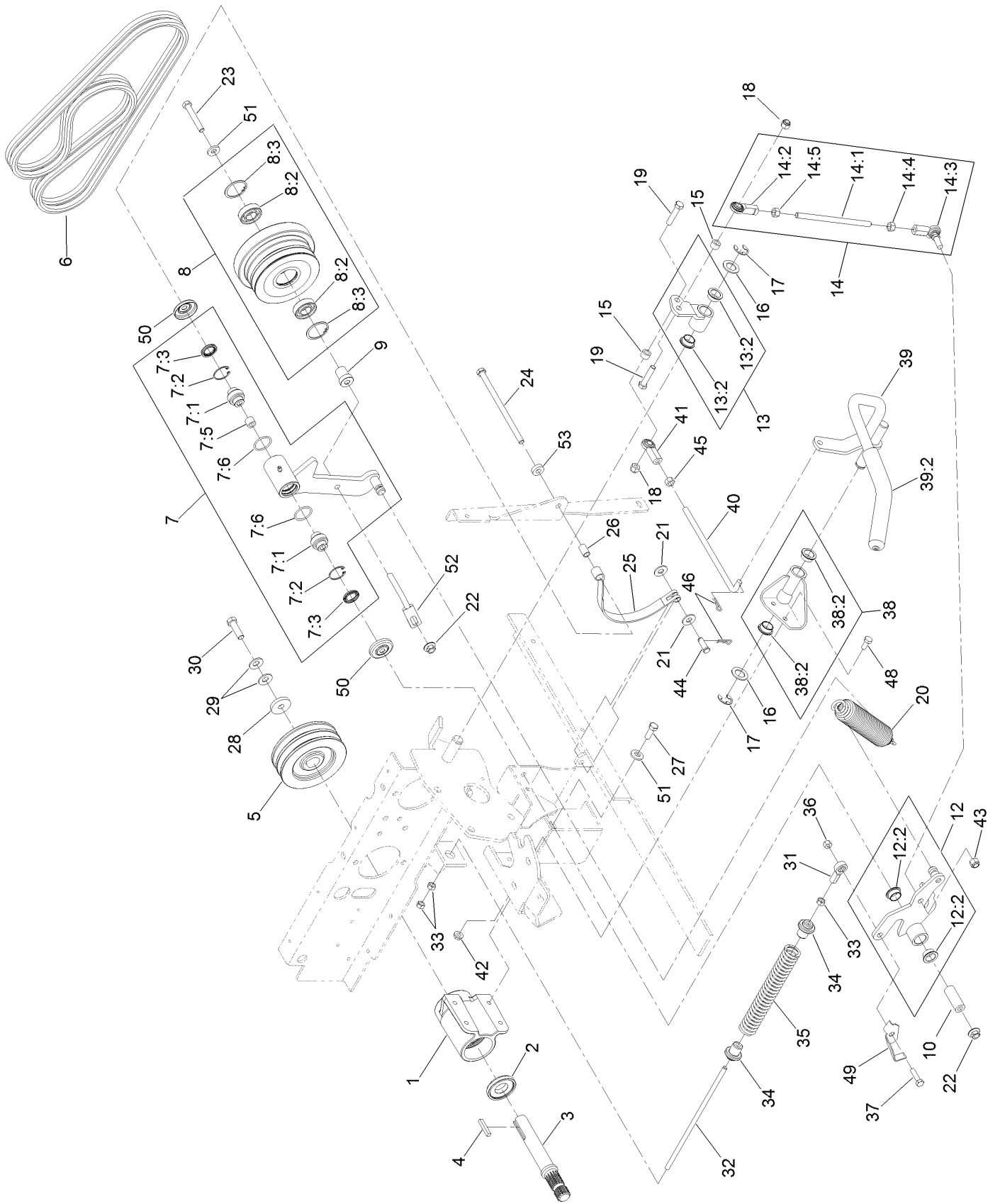


Hopper Frame Assembly No. 109-4086 (continued)

<i>Ref.</i>	<i>Part Number</i>	<i>Qty.</i>	<i>Description</i>
2	103-7824	1	Insulation-Foam Pad, Rear
3	103-7825	1	Insulation-Foam Pad, Front
4	1-543963	2	Bumper-Rubber

<i>Ref.</i>	<i>Part Number</i>	<i>Qty.</i>	<i>Description</i>
5	32128-20	2	Nut-HF
6	107069	4	Clip

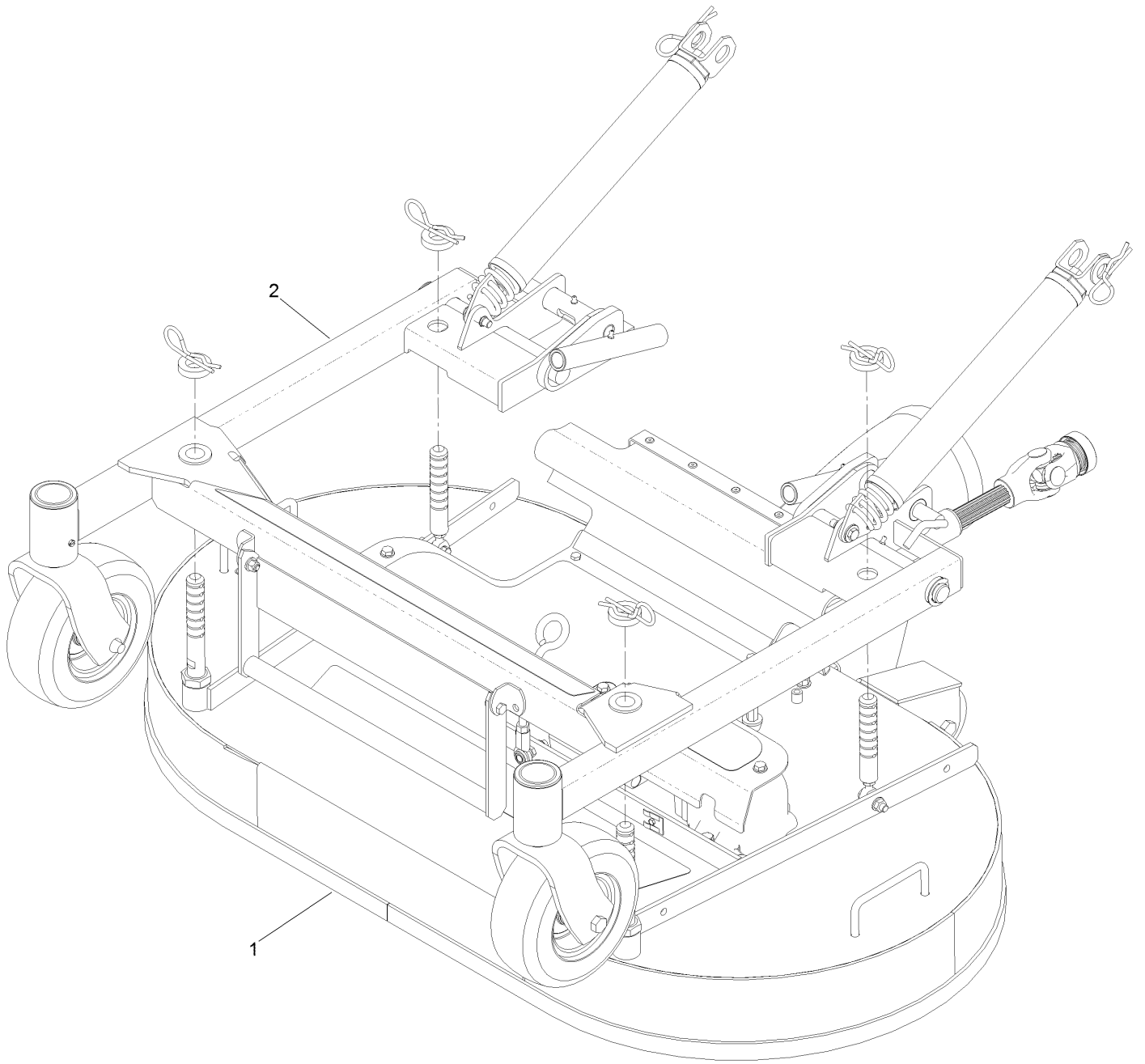
Drive Assembly



Drive Assembly (continued)

<i>Ref.</i>	<i>Part Number</i>	<i>Qty.</i>	<i>Description</i>	<i>Ref.</i>	<i>Part Number</i>	<i>Qty.</i>	<i>Description</i>
1	103-2544	1	Jackshaft ASM	22	32128-19	2	Nut-HF
2	103-2535	1	Spacer-Guard, Bottom	23	323-12	1	Screw-HH
3	103-6735	1	Jackshaft	24	323-36	1	Screw-HH
4	67-7490	1	Key-Square	25	103-7697	1	Band-Brake
5	103-6732	1	Sheave	26	103-9816	1	Spacer
6	130-2870	1	Belts-Matched Pair	27	323-6	4	Screw-HH
7	103-8253	1	Idler Pivot ASM	28	1-543610	1	Washer-Clutch
7:1	103-3504	2	Bearing-Spherical	29	1-603610	2	Washer-Spring
7:2	32120-10	2	Ring-Snap	30	3212-6	1	Screw-HH
7:3	103-3506	2	Seal-Single Lip	31	1-543017	1	Balljoint-RH
7:5	1-413088	1	Bushing-Lever, Lift	32	103-7996	1	Linkage-Rod, PTO Brake
7:6	106-7159	2	O-Ring	33	3219-2	3	Nut-Hex
8	103-9439	1	Idler Sheave ASM	34	103-8254	2	Bushing-Spring
8:2	251-347	2	Bearing-Ball	35	103-7997	1	Spring-Brake
8:3	32151-13	2	Ring-Retaining	36	3296-29	1	Nut-Lock, NI
9	103-7350	1	Spacer-Idler	37	322-6	1	Screw-HH
10	103-7382	1	Bushing	38	103-9295	1	Pivot ASM
12	103-9296	1	Arm ASM	38:2	108519	2	Bushing-Bronze
12:2	108519	2	Bushing-Bronze	39	103-9486	1	PTO Handle ASM
13	103-9297	1	Arm ASM	39:2	103-8153	1	Grip-Lever, Control
13:2	108519	2	Bushing-Bronze	40	103-8277	1	Link-Handle
14	103-7392	1	Clutch Link ASM	41	103-0608	1	Joint-Ball, End
14:1	103-7393	1	Rod-Linkage	42	32128-20	2	Nut-HF
14:2	103-1167	1	Joint-Ball End, LH	43	3296-6	1	Nut-Lock
14:3	103-7994	1	Balljoint-RH	44	283-2	1	Pin-Clevis
14:4	3219-3	1	Nut-Hex	45	3219-3	1	Nut-Hex
14:5	3219-20	1	Nut-Hex, LH	46	1-806003	2	Pin-Cotter, Hair
15	92-9025	2	Spacer	48	322-3	2	Screw-HH
16	1-303007	2	Washer	49	103-8716-03	1	Switch-Flag
17	32151-48	2	E-Ring	50	103-2916	2	Guard-Top
18	3296-39	2	Nut-Lock, NI	51	98-5975	5	Washer-Belleville
19	323-9	2	Screw-HH	52	109-5491	1	Guide-Belt
20	109-0148	1	Spring-Extension	53	5-0652	1	Spacer
21	3256-4	2	Washer-Flat				

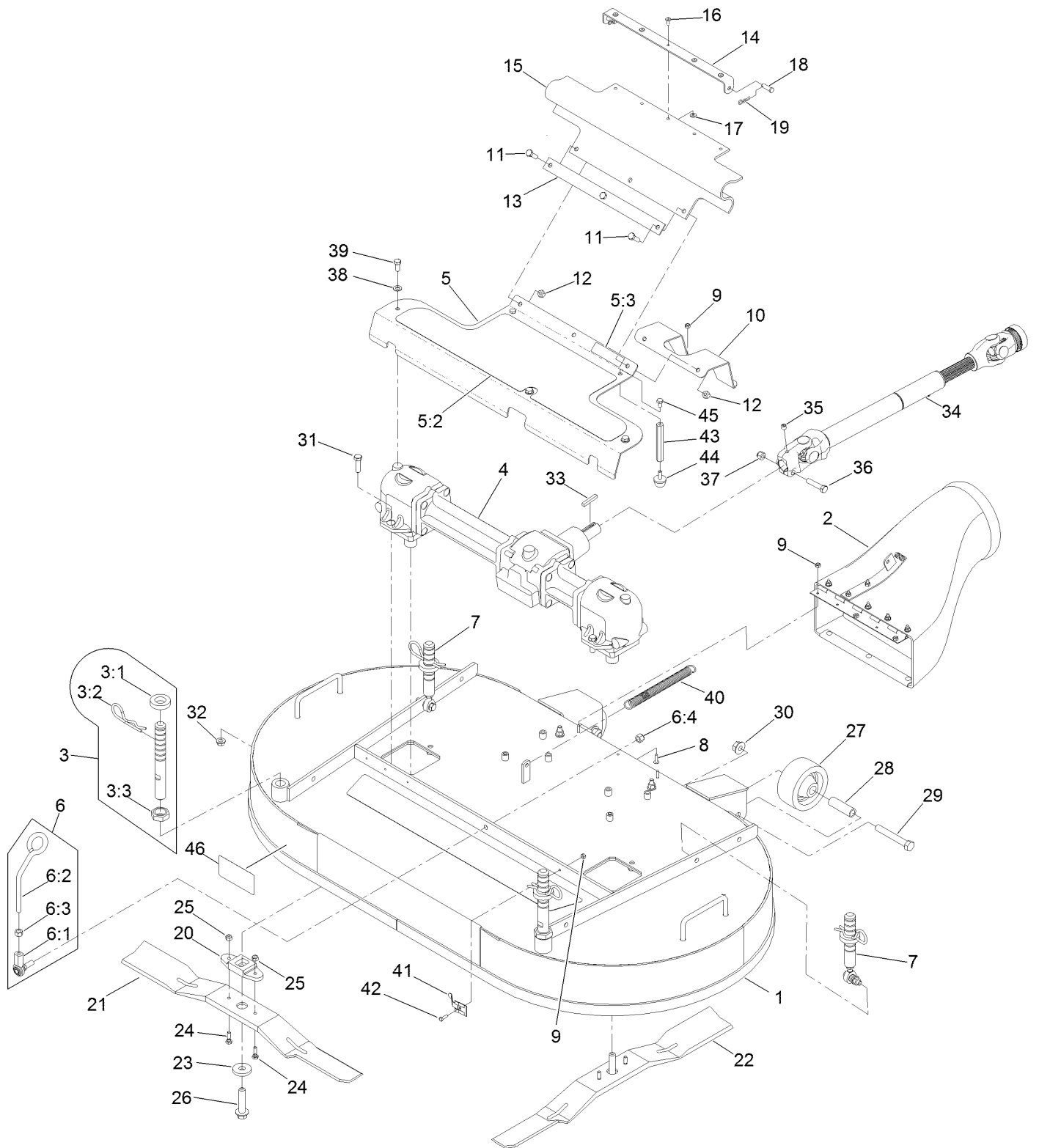
Deck Mounting Assembly



Deck Mounting Assembly (continued)

<i>Ref.</i>	<i>Part Number</i>	<i>Qty.</i>	<i>Description</i>
1	130-2891	1	Deck ASM
2	130-2893	1	Deck Support Frame ASM

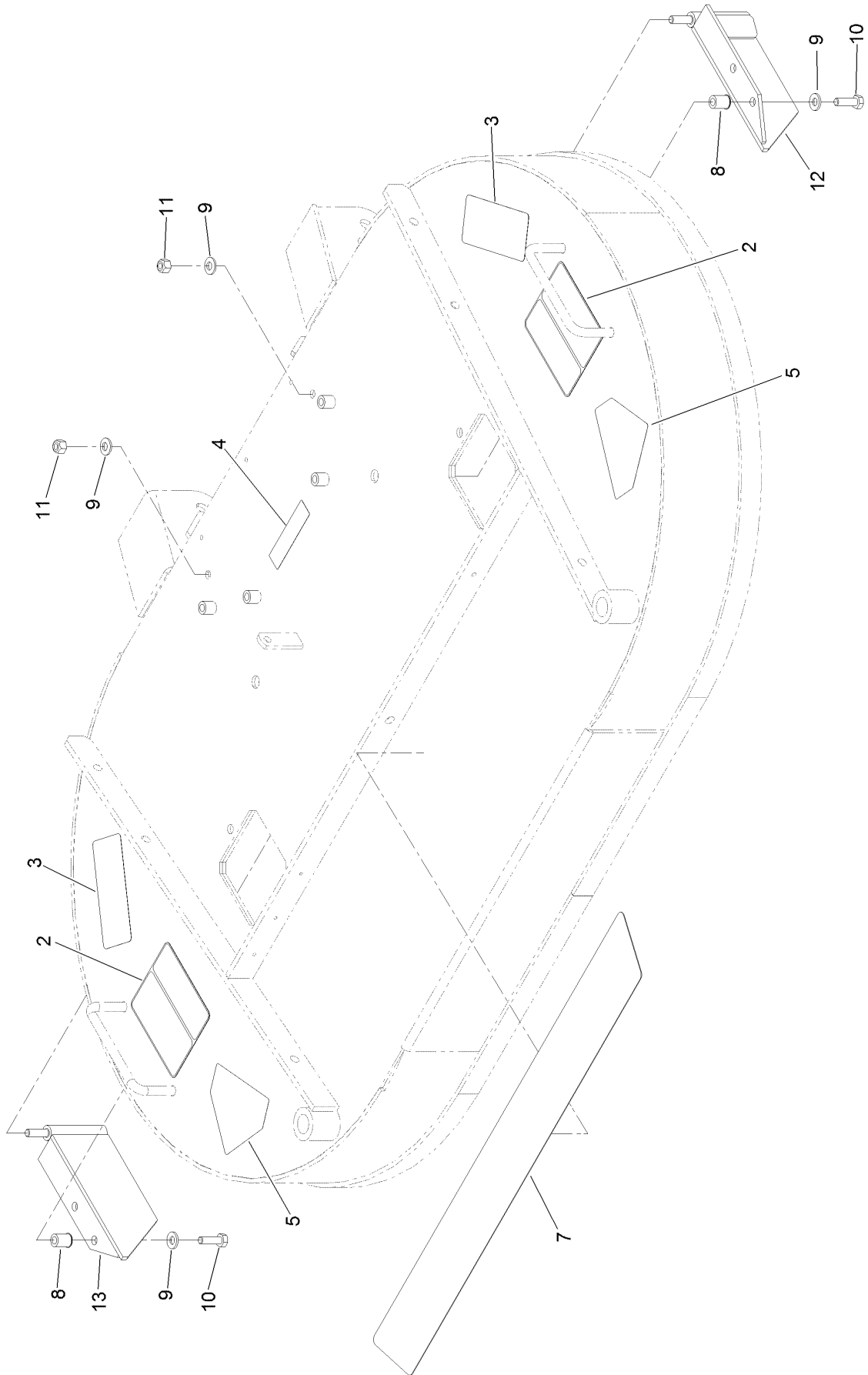
Deck, Gearbox and Driveshaft Mounting Assembly



Deck, Gearbox and Driveshaft Mounting Assembly (continued)

<i>Ref.</i>	<i>Part Number</i>	<i>Qty.</i>	<i>Description</i>	<i>Ref.</i>	<i>Part Number</i>	<i>Qty.</i>	<i>Description</i>
1	109-4372	1	Deck Decal And Baffle ASM	19	1-806003	2	Pin-Cotter, Hair
2	103-9487	1	Discharge Tube ASM	20	103-7705	2	Driver-Blade
3	109-0321	2	Front Deck Height Adjust ASM	21	130-2862	1	Blade-25In, RH
3:1	1-413425	1	Spacer-Deck Support	22	130-2861	1	Blade-25In, LH
3:2	103-7353	1	Pin-Cut Height	23	30-8770	2	Washer
3:3	103-8496	1	Nut-Jam	24	99-0283	4	Bolt-Shear
4	103-3387	1	Gear Box ASM	25	3296-42	4	Nut-Lock, NI
5	130-2899	1	Gearbox Cover ASM	26	92-5816	2	Bolt-Blade
5:2	103-8629	1	Pad-Anti Skid	27	103-3700	2	Roller-Deck
5:3	98-5954	1	Decal-Missing Cover	28	103-4230	2	Spacer-Roller
6	103-8363	1	Deck Latch ASM	29	325-14	2	Screw-HH
6:1	103-7994	1	Balljoint-RH	30	32128-49	2	Nut-HHF
6:2	103-8307	1	Latch-Deck	31	323-7	4	Screw-HH
6:3	3219-3	1	Nut-Hex	32	3290-357	4	Nut-HHF, Whiz
6:4	3296-6	1	Nut-Lock	33	67-7490	1	Key-Square
7	109-0323	2	Rear Deck Height Adjust ASM	34	103-9485	1	Drive Shaft ASM
8	1-803075	3	Screw-Head, Truss	35	3247-2	1	Screw-Set, HSH
9	3296-2	6	Nut-Lock, NI	36	323-9	1	Screw-HH
10	116-7843-01	1	Guard-Drive Shaft	37	3296-39	1	Nut-Lock, NI
11	322-5	3	Screw-HH	38	3256-23	3	Washer-Flat
12	3296-29	3	Nut-Lock, NI	39	322-3	3	Screw-HH
13	103-6290-03	1	Strap-Drive, Line Cover	40	103-8841	1	Spring-Extension
14	103-6183-03	1	Bracket-Guard, PTO	41	1-513690	1	Clip-Deck, Hold Up Rod
15	103-5979	1	Guard-PTO	42	3290-134	1	Screw
16	114439	5	Rivet-Pop	43	103-8610	2	Stand-Off
17	3256-14	5	Washer-Flat	44	1-523420	2	Bumper
18	1-808280	2	Pin-Clevis	45	321-2	2	Screw-HH
				46	130-2887	1	Decal

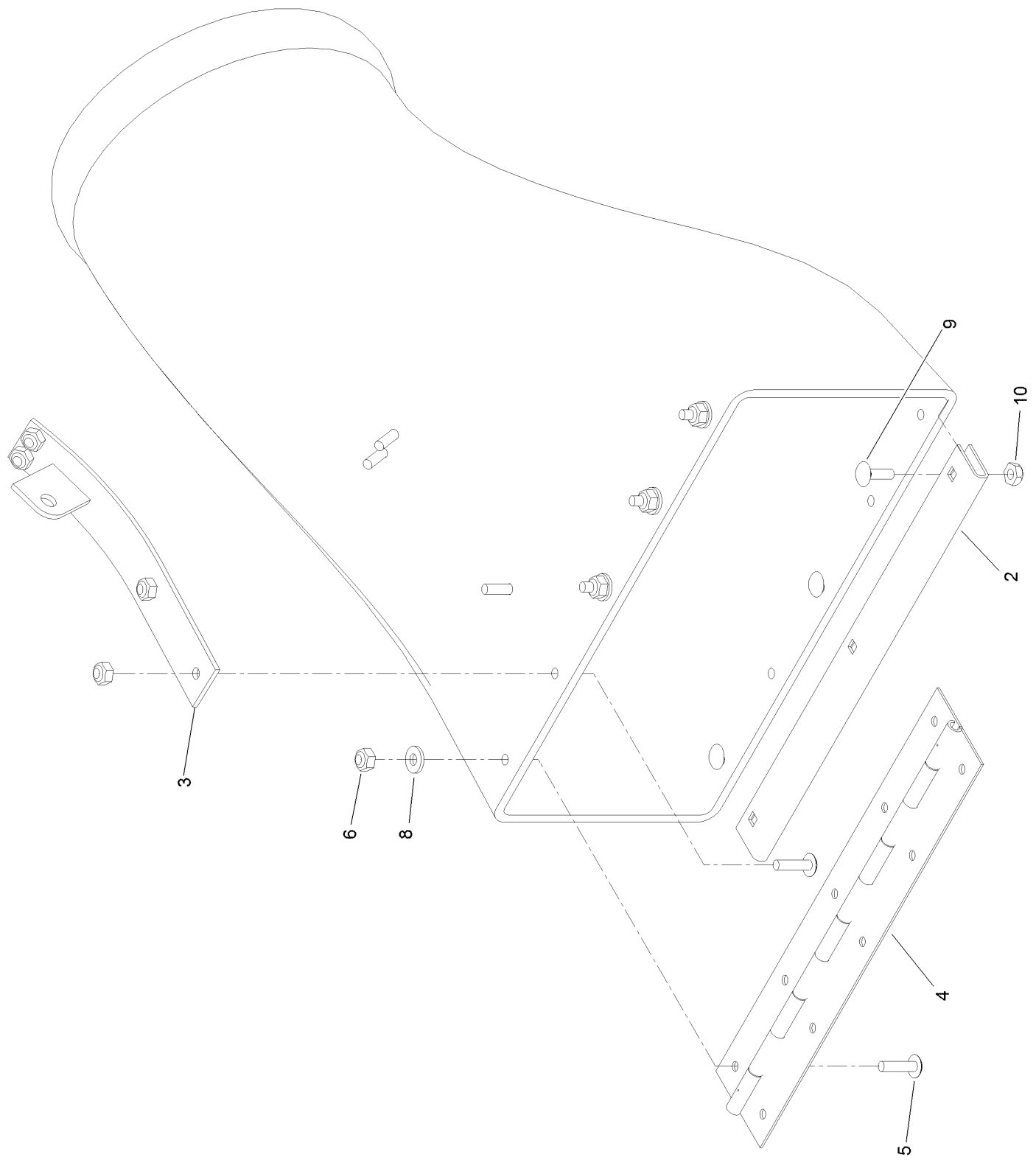
Deck Decal Assembly No. 109-4372



Deck Decal Assembly No. 109-4372 (continued)

<i>Ref.</i>	<i>Part Number</i>	<i>Qty.</i>	<i>Description</i>	<i>Ref.</i>	<i>Part Number</i>	<i>Qty.</i>	<i>Description</i>
2	103-6230	2	Decal-Cutting Height Adjustment	8	32148-7	6	Nut-Insert
3	68-8340	2	Decal-Torque	9	1-303334	4	Washer-Spring
4	98-5954	1	Decal-Missing Cover	10	322-5	2	Screw-HH
5	1-403005	2	Decal-Danger	11	3296-29	2	Nut-Lock, NI
7	103-8630	1	Pad-Anti Skid	12	109-4053-01	1	Baffle-LH
				13	109-4054-01	1	Baffle-RH

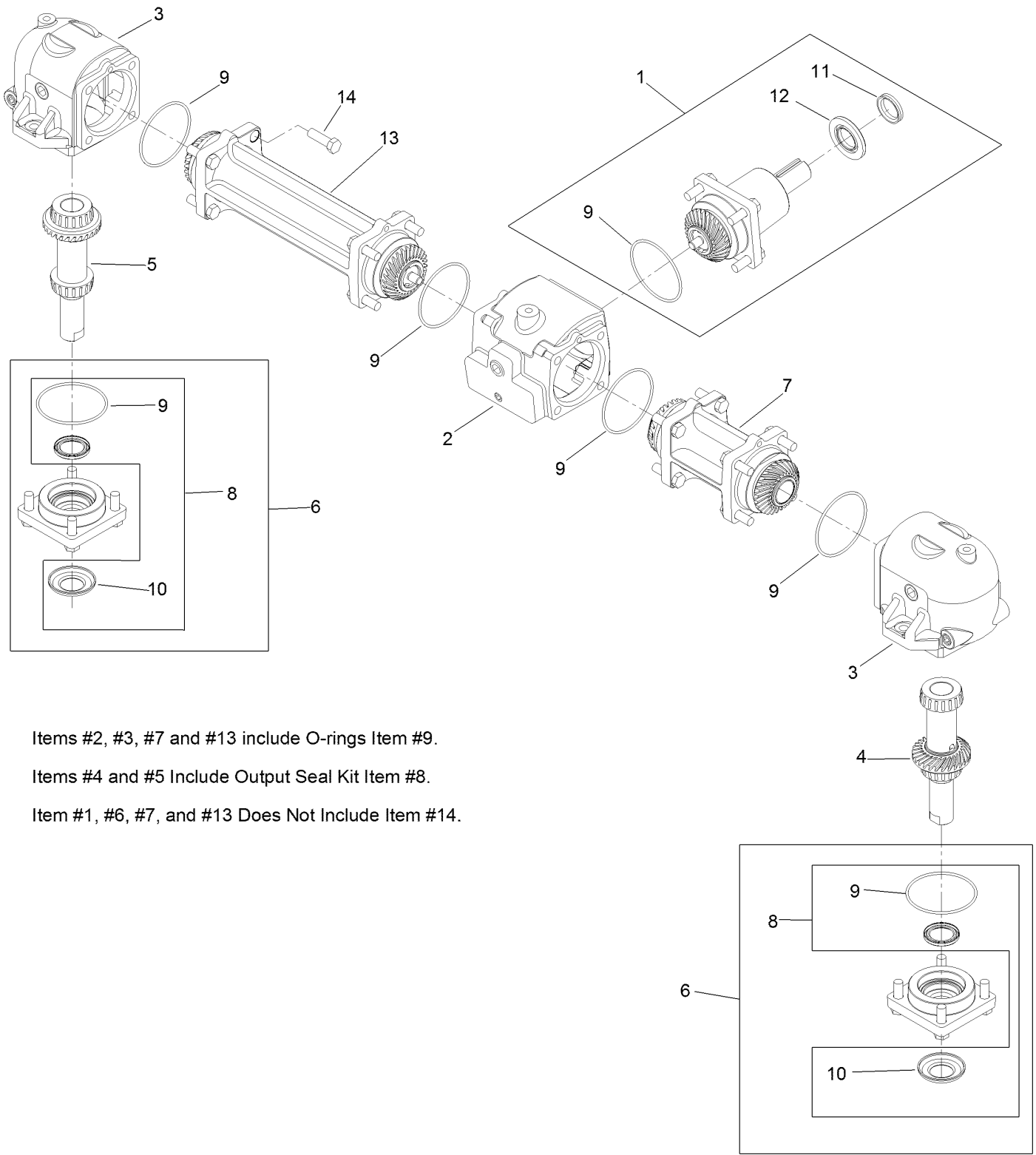
Discharge Tube Assembly No. 103-9487



Discharge Tube Assembly No. 103-9487 (continued)

<i>Ref.</i>	<i>Part Number</i>	<i>Qty.</i>	<i>Description</i>	<i>Ref.</i>	<i>Part Number</i>	<i>Qty.</i>	<i>Description</i>
2	109-2228-03	1	Guard-Plenum	6	3296-2	8	Nut-Lock, NI
3	103-5868-01	1	Mount-Spring	8	3256-14	4	Washer-Flat
4	103-4974	1	Hinge-Piano	9	1-807533	3	Bolt-CARR
5	1-803075	8	Screw-Head, Truss	10	3296-12	3	Nut-Lock, NI

Gearbox Assembly No. 103-3387



Items #2, #3, #7 and #13 include O-rings Item #9.

Items #4 and #5 Include Output Seal Kit Item #8.

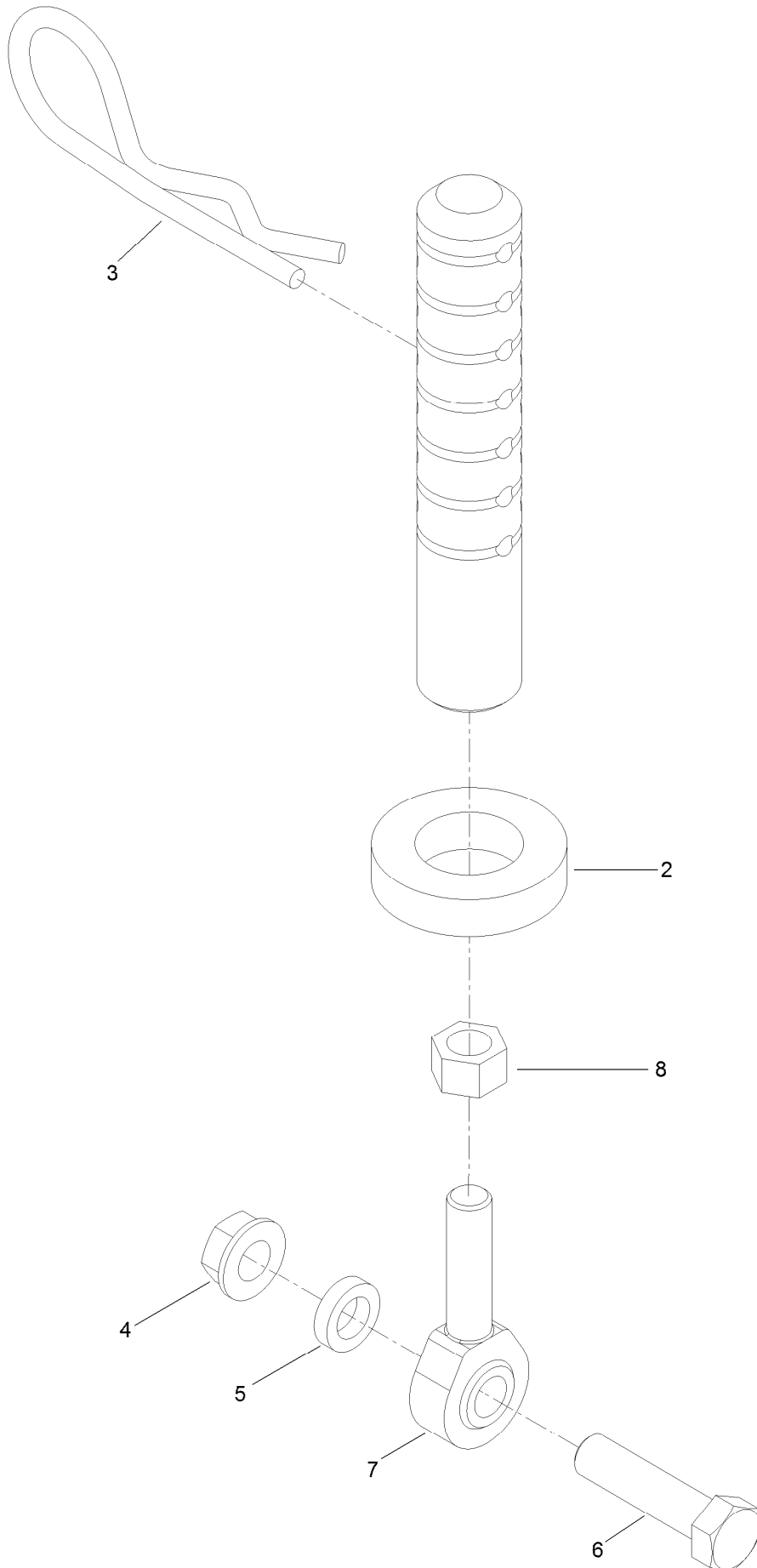
Item #1, #6, #7, and #13 Does Not Include Item #14.

Gearbox Assembly No. 103-3387 (continued)

<i>Ref.</i>	<i>Part Number</i>	<i>Qty.</i>	<i>Description</i>	<i>Ref.</i>	<i>Part Number</i>	<i>Qty.</i>	<i>Description</i>
1	109-0189	1	Pinion-Input	8	109-0201	1	Output Seal Kit
2	109-0190	1	Housing-Center	9	109-0203	1	Seal-O-Ring
3	109-0191	1	Housing-End	10	109-0204	1	Washer-Cupped
4	109-0193	1	Output Shaft And Gear-LH	11	109-0205	1	Seal-V-Ring ●
5	109-0195	1	Output Shaft And Gear-RH	12	109-0202	1	Seal-Input ●
6	109-0196	1	Cap-Output	13	109-0200	1	Connector-Tube, Long
7	109-0198	1	Tube-Connector, Shor	14	93-3987	28	Bolt-Blade

● Apply bead of Mobil HTS grease (P/N 103-5217 1.5 oz packet) (or a food-grade anti-seize) between input seal and v-ring.

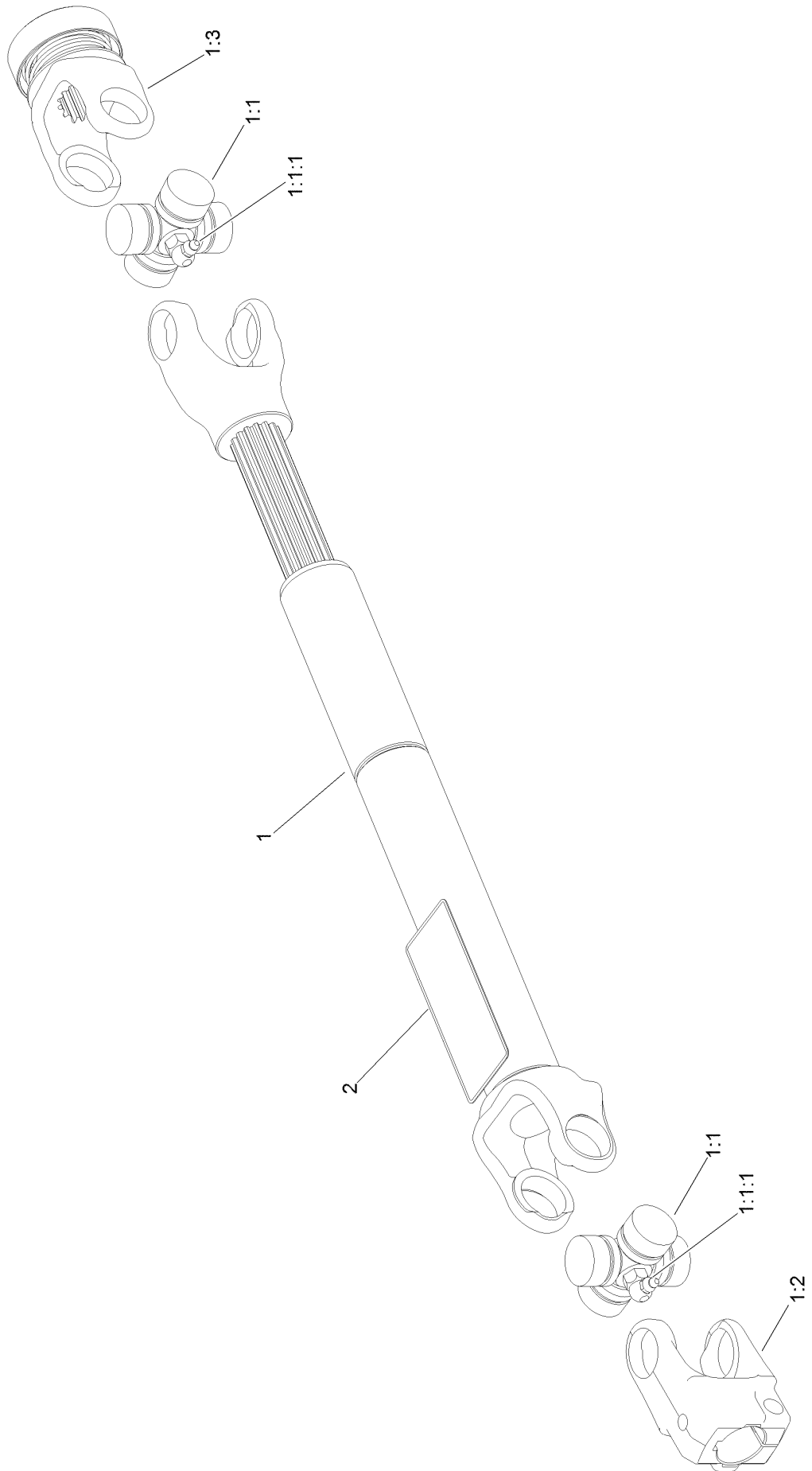
Rear Deck Height Adjustment Assembly No. 109-0323



Rear Deck Height Adjustment Assembly No. 109-0323 (continued)

<i>Ref.</i>	<i>Part Number</i>	<i>Qty.</i>	<i>Description</i>	<i>Ref.</i>	<i>Part Number</i>	<i>Qty.</i>	<i>Description</i>
2	1-413425	1	Spacer-Deck Support	6	323-8	1	Screw-HH
3	103-7353	1	Pin-Cut Height	7	1-613204	1	Balljoint
4	3290-357	1	Nut-HHF, Whiz	8	3220-3	1	Nut-HJ
5	106-5597	1	Spacer-Idler				

Drive Shaft Assembly No. 103-9485

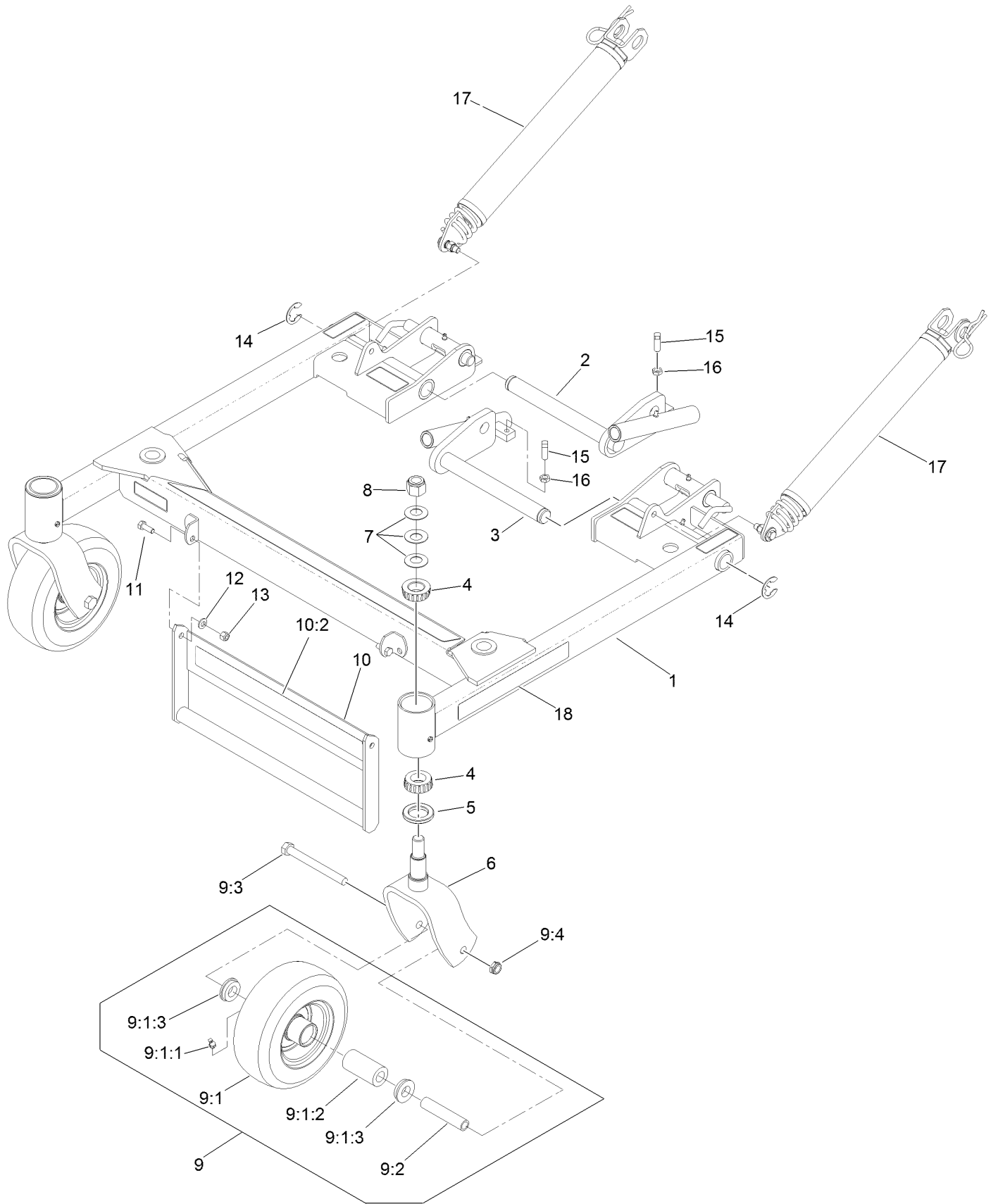


Drive Shaft Assembly No. 103-9485 (continued)

<i>Ref.</i>	<i>Part Number</i>	<i>Qty.</i>	<i>Description</i>	<i>Ref.</i>	<i>Part Number</i>	<i>Qty.</i>	<i>Description</i>
1		1	Drive Shaft-Telescoping ●	1:2	103-9328	1	Yoke-Keyed
1:1	54-9180	2	U-Joint Kit	1:3	103-9329	1	Yoke-Quick Disconnect
1:1:1	62-3820	1	Fitting-Grease	2	103-8425	1	Decal-Driveline

● Not serviced separately

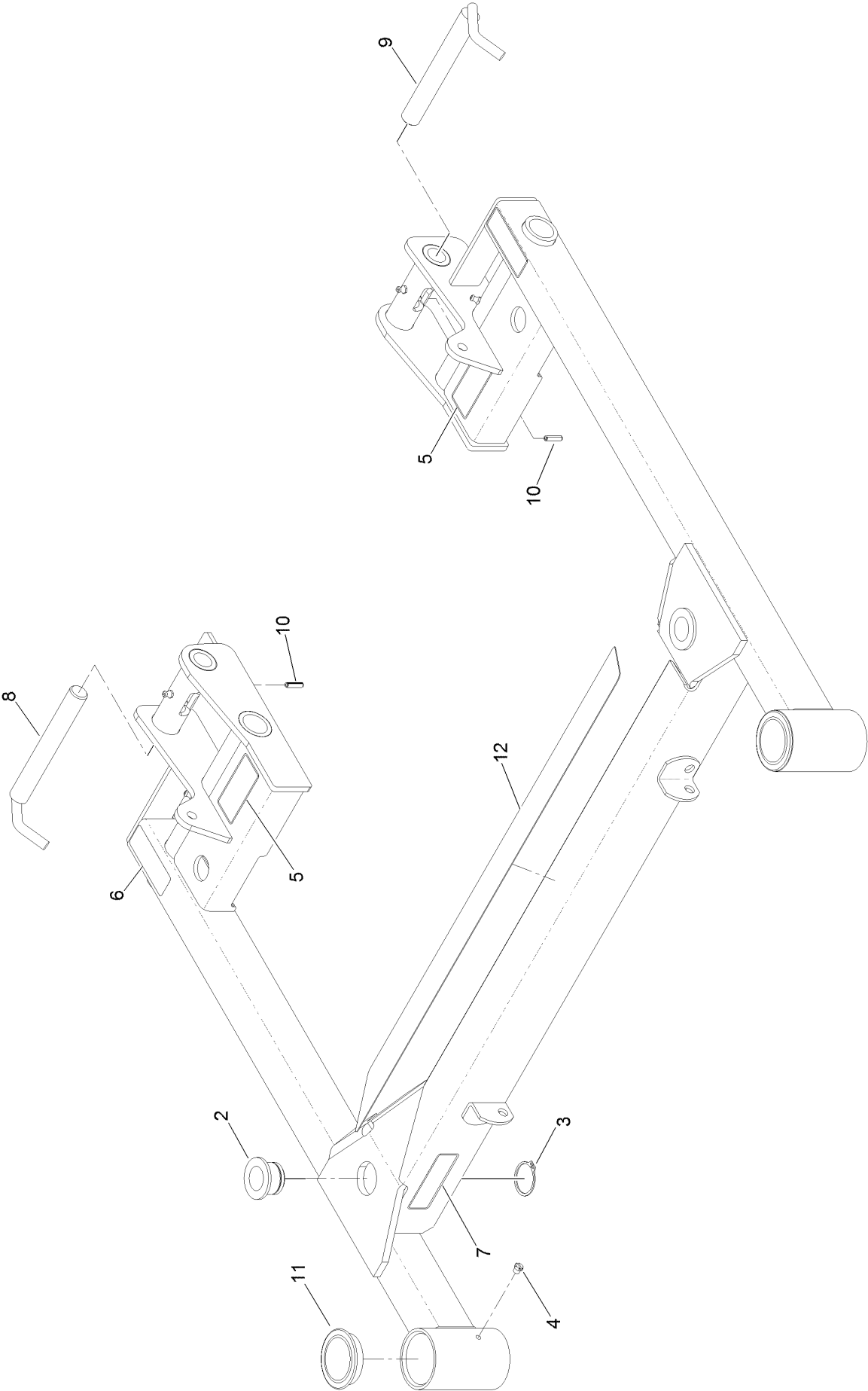
Deck Support Frame Assembly No. 130-2893



Deck Support Frame Assembly No. 130-2893 (continued)

<i>Ref.</i>	<i>Part Number</i>	<i>Qty.</i>	<i>Description</i>	<i>Ref.</i>	<i>Part Number</i>	<i>Qty.</i>	<i>Description</i>
1	103-9480	1	Deck Support ASM	9:2	109-2094	1	Spacer-Caster, Front
2	103-3729-01	1	Pivot-Deck, RH	9:3	325-19	1	Screw-HH
3	103-3732-01	1	Pivot-Deck, LH	9:4	3296-45	1	Nut-Lock, NI
4	1-543509	4	Bearing-Roller, Tapered	10	130-2897	1	Deck Lift Handle ASM
5	1-543511	2	Seal-Grease	10:2	130-2883	1	Decal
6	109-1933-01	2	Fork-Caster	11	322-4	2	Screw-HH
7	1-633508	6	Washer-Bellville	12	1-303334	2	Washer-Spring
8	3296-51	2	Nut-Lock, NI	13	3296-29	2	Nut-Lock, NI
9	130-2867	2	Wheel And Axle ASM	14	1-808519	2	Ring-Snap
9:1	130-2866	1	Wheel And Tire	15	3243-5	2	Screw-Set, SQH
9:1:1	302-61	1	Fitting-Grease	16	3218-3	2	Nut-Jam
9:1:2	103-4588	1	Bearing-Roller, Straight	17	116-7851	2	Lift Assist Spring ASM
9:1:3	1-513810	2	Bushing	18	130-2884	2	Decal

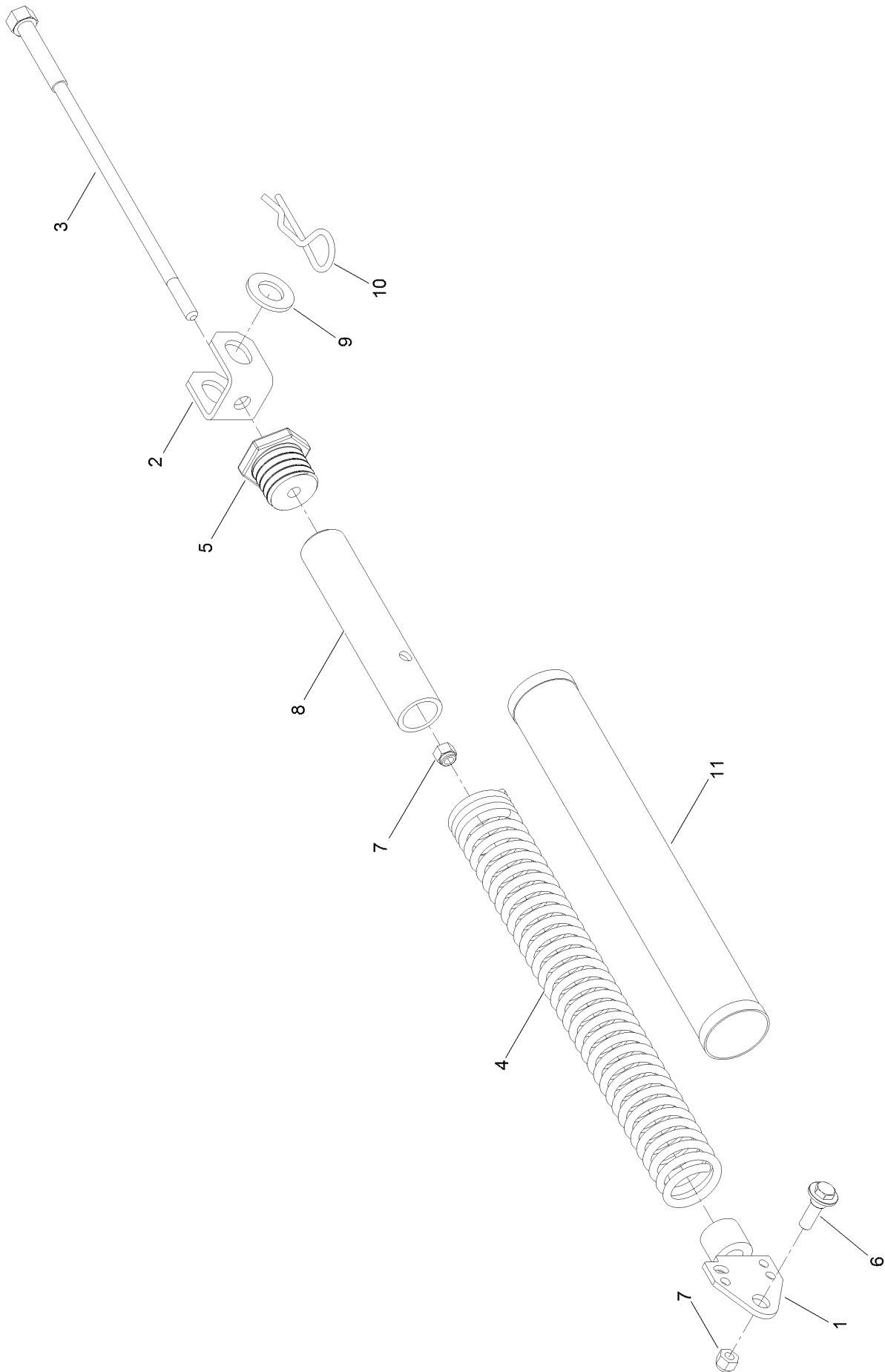
Deck Support Assembly No. 103-9480



Deck Support Assembly No. 103-9480 (continued)

<i>Ref.</i>	<i>Part Number</i>	<i>Qty.</i>	<i>Description</i>	<i>Ref.</i>	<i>Part Number</i>	<i>Qty.</i>	<i>Description</i>
2	103-7436	2	Bushing-Support, Deck	8	103-4119	1	Lock-Deck, RH
3	32120-33	2	Ring-Retaining	9	103-4118	1	Lock-Deck, LH
4	1-811010	2	Plug	10	32121-3	2	Pin-Spring
5	103-8799	2	Decal-Spring	11	103-4882	2	Cap-Grease
6	103-8797	2	Decal-Folding Deck	12	103-8630	1	Pad-Anti Skid
7	103-8798	1	Decal-Danger				

Spring Lift Assist Assembly No. 116-7851



Spring Lift Assist Assembly No. 116-7851 (continued)

<i>Ref.</i>	<i>Part Number</i>	<i>Qty.</i>	<i>Description</i>	<i>Ref.</i>	<i>Part Number</i>	<i>Qty.</i>	<i>Description</i>
1	103-4284	1	Tensioner-Spring	7	3296-39	2	Nut-Lock, NI
2	103-4285	1	Mount-Lift Assist, Deck	8	103-7865	1	Spring-Tube
3	103-3773	1	Shaft-Adjustment, Spring	9	3256-28	1	Washer-Flat
4	103-4281	1	Spring-Extension	10	103-7353	1	Pin-Cut Height
5	103-3772	1	Plug-Adjuster, Spring	11	103-7971	1	Cover-Spring, Deck
6	614672	1	Bolt-Shoulder				

Attachments and Accessories

For 74312 Z Master 8000 Series Riding Mower with 48in Direct-Collect Cutting Unit

Product Name	Model/Part
Winter Hydraulic Filter	1-633752
Hypr-Oil 500 (quart)	114-4713
Hypr-Oil 500 (gallon).....	114-4714
Hypr-Oil 500-5 (5 gallon).....	114-4715
Dual Split Caster Kit.....	130-8455
Removable Grass Tubs Kit	130-8457
Hopper Power Dump Kit	130-8458
ROPS Kit	130-8459
48in Mulch Kit	130-8463
25in LH Mulching Blade	130-8464
25in DH Mulching Blade	130-8465
MVP Kit.....	130-8468
Light Kit.....	130-8469
Automatic Door Opener Kit	130-8470
Suspension Seat Kit	130-8471

Notes:

Notes:

Notes:



Count on it.