



Count on it.

Parts Catalog

**50cm Mulching/Rear Bagging
Lawn Mower**

Model No. 29639—Serial No. 313000001 and Up



Ordering Replacement Parts

To order replacement parts, please supply the part number, the quantity, and the description of each part desired.

Understanding Reference Numbers

Each identified part in an illustration has a reference number. The reference number for a part also appears in the parts list, along with other information about the part.

This catalog uses two special reference number formats, one to indicate parts in a service assembly and another to indicate the quantity of a given part in an illustration.

Service Assembly Reference Numbers

Parts in service assemblies have reference numbers in the form a:b. The a represents the reference number of the entire service assembly and the b represents a sequential number unique to each part within the service assembly.

For example, a wheel assembly might be identified by reference number 6, the tire by 6:1, the valve by 6:2, and the wheel by 6:3. When you order the assembly identified by reference number 6, you receive all parts identified by reference numbers 6:1, 6:2, and 6:3. However, you may also order any part individually. Reference numbers of this type appear in illustration and in parts lists.

Reference Numbers Indicating Quantity

In an illustration, if a reference number indicates more than one part, the reference number has the form nX y. The n represents the quantity of the part, the X is the multiplication symbol, and the y represents the reference number.

For example, in an illustration, the reference number 2X 37 means that two of the parts identified by reference number 37 are indicated.

List of Abbreviations

AR: as required

ASM: assembly

BBC: blade brake control

BHTF: button head thread forming

CARR: carriage

CCW: counter clockwise

CW: clockwise

DEG: degrees

DPA: Dual Point Adjustment

ECM: electronic control module

EXT: external

FH: flat head

GA: gauge

HD: heavy-duty

HF: hex flange

HH: hex head

HHF: hex head flange

HHFTF: hex head flange thread forming

HJ: hex jam

HLH: hex lag head

HOC: height-of-cut

HP: high pressure

HSBH: hex socket button head

HSFH: hex socket flat head

HSH: hex socket head

HWH: hex washer head

HWHTF: hex washer head thread forming

HYD: hydraulic

LH: left hand

LP: low pressure

LPG: Liquefied Petroleum Gas

NI: nylon insert

NPTF: national pipe thread fine

PFH: phillips flat head

PPH: phillips pan head

PPHTF: phillips pan head thread forming

PRH: phillips round head

PTH: phillips truss head

PTO: power-take-off

RH: right hand

ROPS: roll-over protection system

RRB: rear roller brush

SFH: slotted fillister head

SHH: slotted hex head

SHWH: slotted hex washer head

SPH: slotted pan head

SQH: square head

SRH: slotted round head

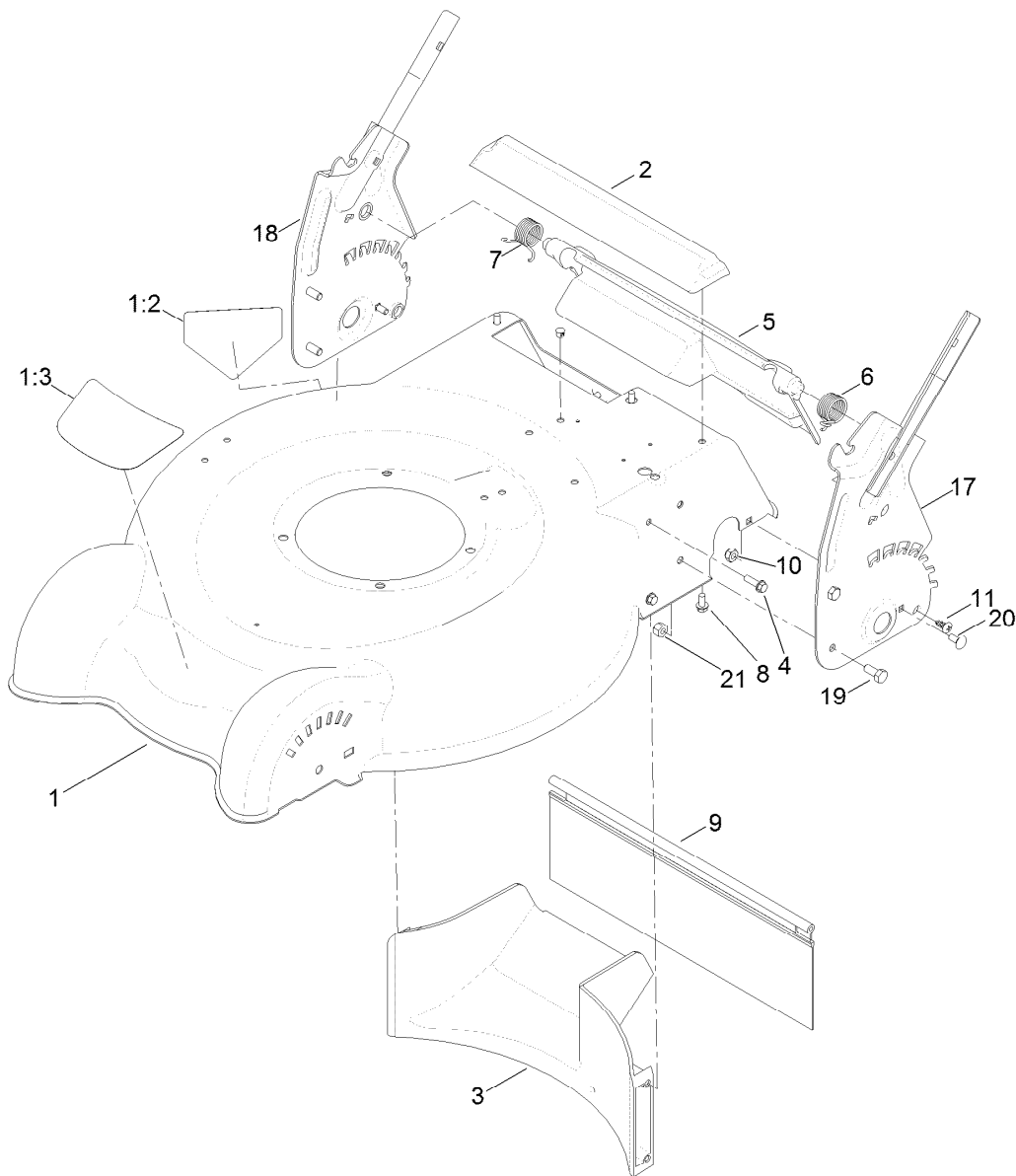
STD: standard

TAP: self tapping

TTH: torx truss head

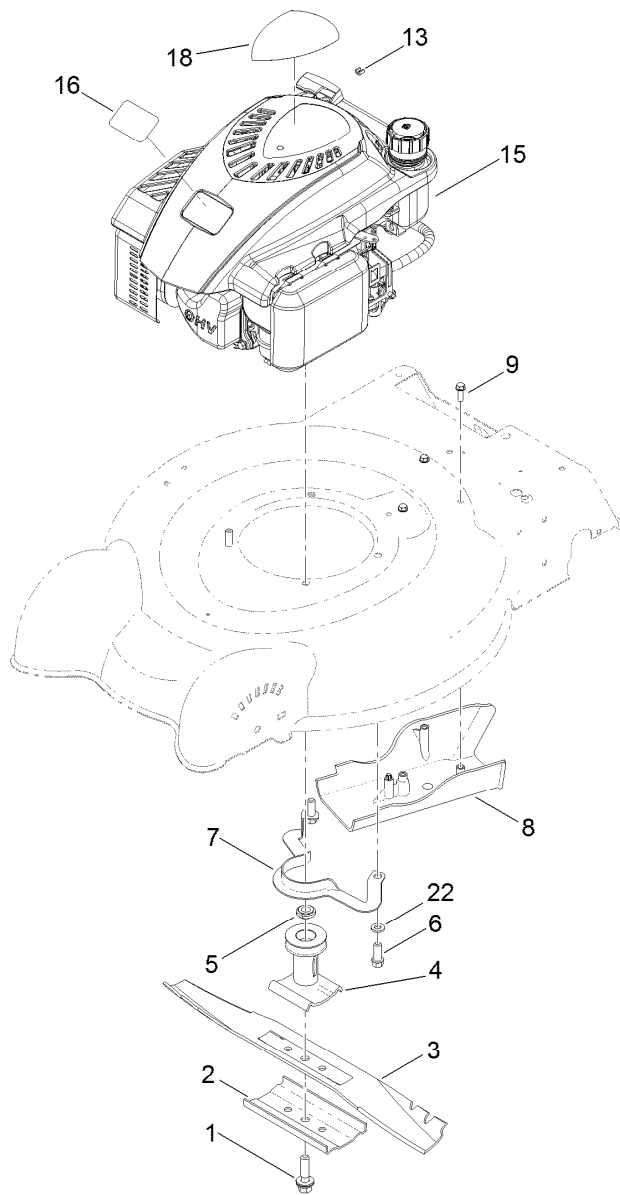
Contents

Housing, Rear Baffle and Height-of-Cut Assembly	4
Engine and Blade Assembly	5
Shroud, Flywheel and Fuel Tank Assembly	6
Dipstick, Brake and Governor Arm Assembly	8
Carburetor, Muffler, Air Cleaner and Valve Cover Assembly	10
Front Wheel and Height-of-Cut Assembly	12
Transmission, Rear Wheel and Height-of-Cut Assembly	13
Handle Assembly	14
Rear Bag Assembly	15
Attachments and Accessories	16



Housing, Rear Baffle and Height-of-Cut Assembly

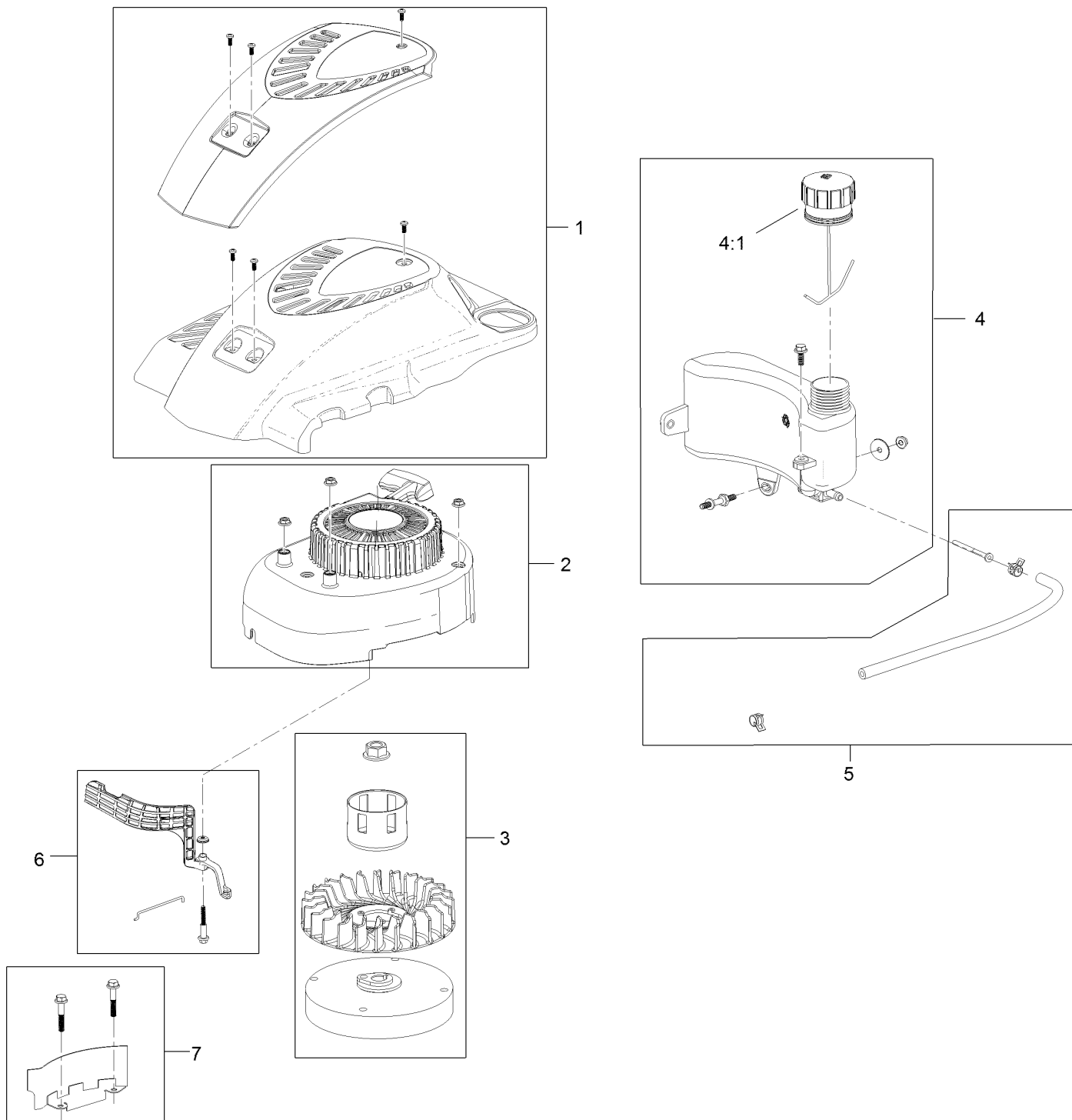
<i>Ref.</i>	<i>Part Number</i>	<i>Qty.</i>	<i>Description</i>	<i>Ref.</i>	<i>Part Number</i>	<i>Qty.</i>	<i>Description</i>
1	117-5944	1	Housing ASM	8	46-8093	3	Screw-Plastite
1:2	112-8760	1	Decal-Danger	9	125-2517	1	Shield-Trailing
1:3	117-5947	1	Decal-Deck	10	3296-16	2	Nut-Lock, NI
2	112-8845	1	Chute-Rear	11	117-1092	2	Screw-PTH
3	112-8821	1	Baffle-Rear	17	119-3804-03	1	HOC-LH
4	46-8091	5	Screw-HWH	18	119-3805-03	1	HOC-RH
5	119-7029	1	Rear Deflector ASM	19	322-3	4	Screw-HH
6	119-7015	1	Spring-Torsion, LH	20	3229-11	2	Screw-CARR
7	119-7016	1	Spring-Torsion, RH	21	3296-29	4	Nut-Lock, NI



Engine and Blade Assembly

<i>Ref.</i>	<i>Part Number</i>	<i>Qty.</i>	<i>Description</i>
1	125-2466	1	Bolt-Blade
2	108-3766-03	1	Support-Blade
3	112-8841-03	1	Blade-20 Inch
4	106-3987	1	Driver-Blade
5	106-3999	1	Spacer-Driver
6	95-1726	3	Screw-Taptite
7	105-3030-03	1	Guide-Belt
8	112-8829	1	Cover-Belt
9	46-8091	3	Screw-HWH
13	92-1701	1	Stop-Rope
15	120-4411	1	Engine-Lc1P65Fc
16	119-3808	1	Plate-Logo, Toro
18	120-1938	1	Decal-Shroud, Ce
22	3256-24	2	Washer-Flat

Shroud, Flywheel and Fuel Tank Assembly

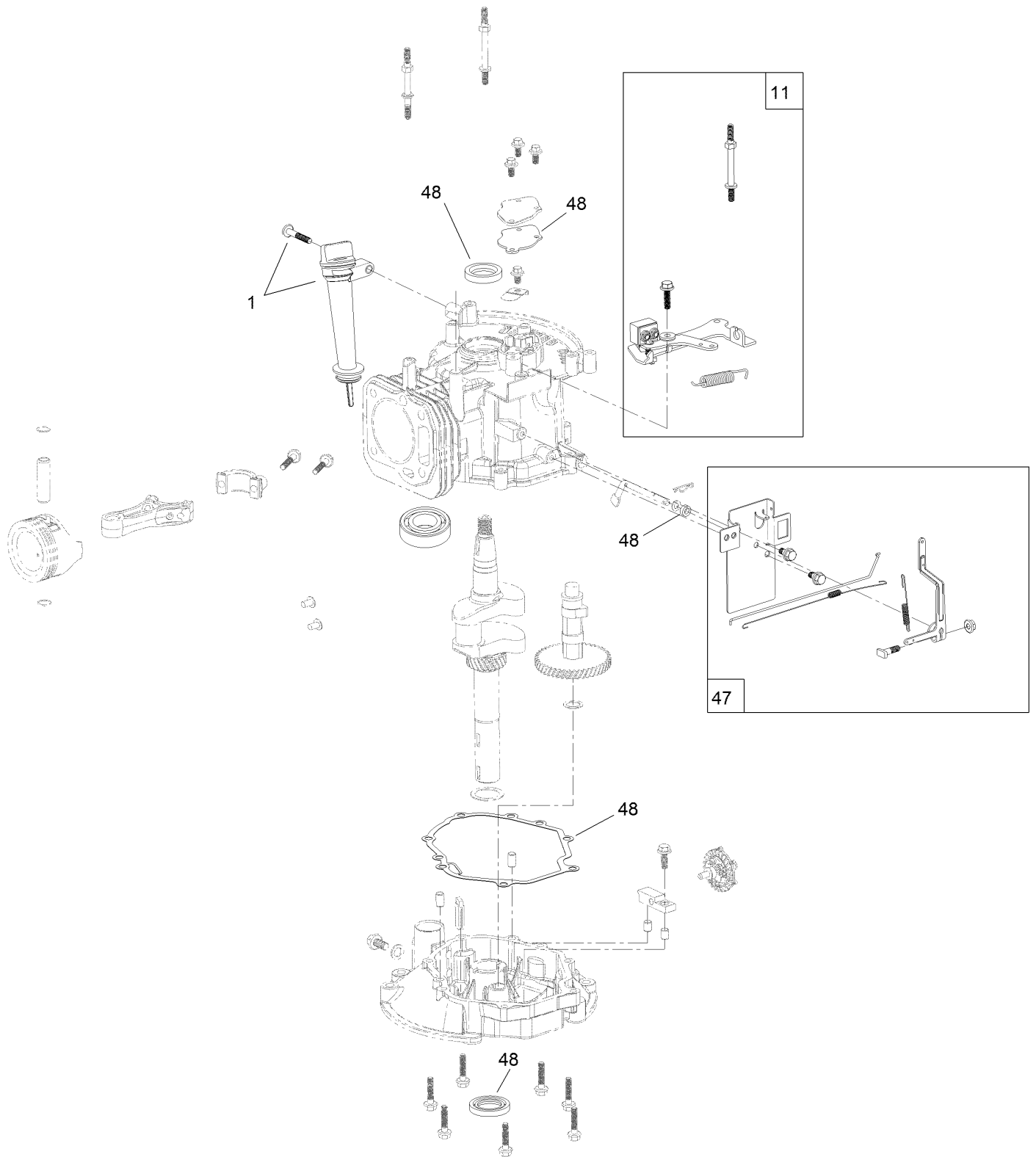


Shroud, Flywheel and Fuel Tank Assembly (continued)

<i>Ref.</i>	<i>Part Number</i>	<i>Qty.</i>	<i>Description</i>
1	119-1990	1	Shroud ASM
2	121-4160	1	Recoil And Blower Shroud Kit
3	119-1970	1	Flywheel And Fan Kit
4	121-4162	1	Fuel Tank Kit

<i>Ref.</i>	<i>Part Number</i>	<i>Qty.</i>	<i>Description</i>
4:1	121-4163	1	Cap-Fuel
5	121-4167	1	Fuel Line Kit
6	121-4168	1	Air Vane Kit
7	119-1994	1	Flywheel Shield Kit

Dipstick, Brake and Governor Arm Assembly

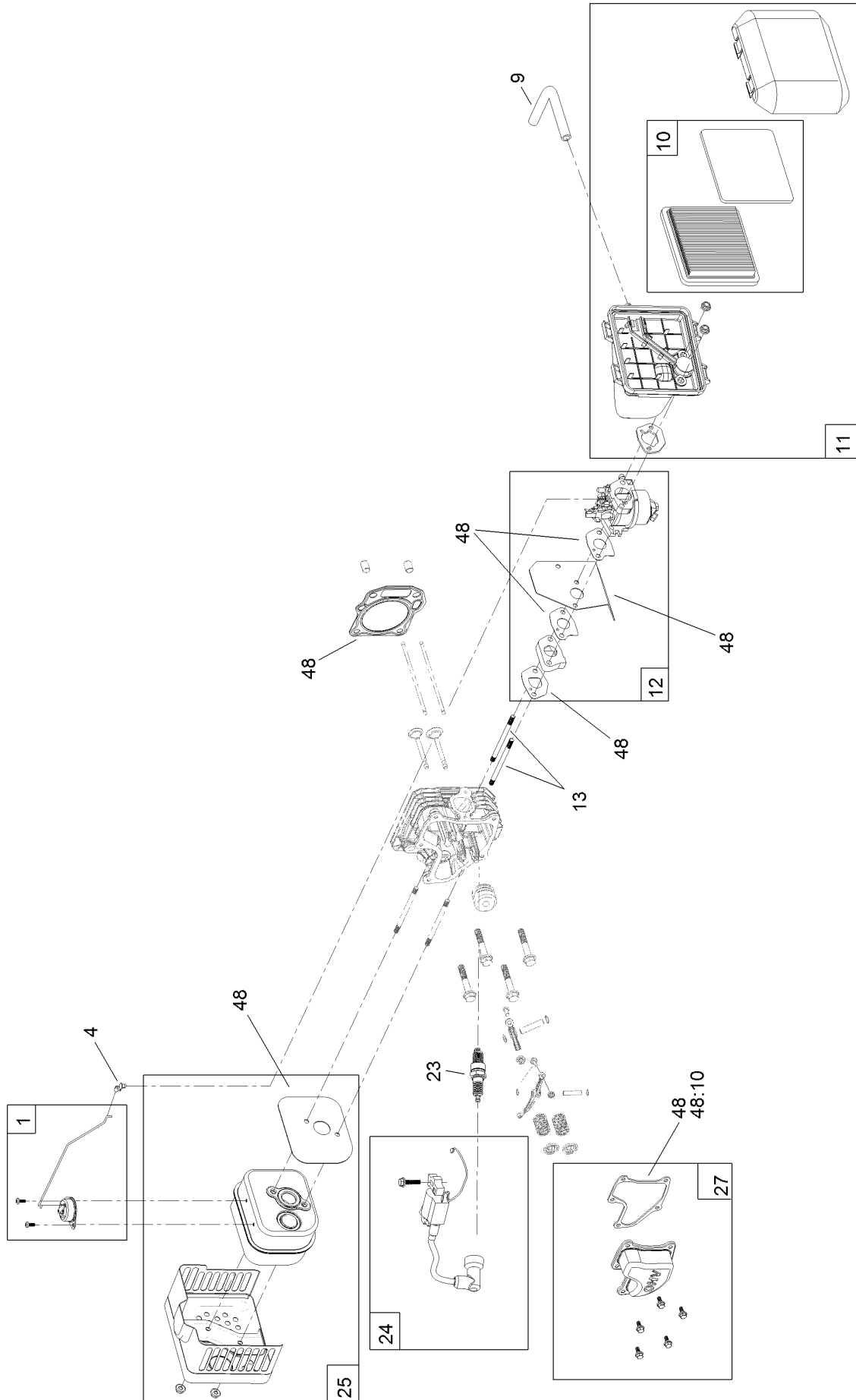


Dipstick, Brake and Governor Arm Assembly (continued)

<i>Ref.</i>	<i>Part Number</i>	<i>Qty.</i>	<i>Description</i>
1	121-4279	1	Dipstick And Fill Tube Kit
11	119-1991	1	Brake ASM Recoil Kit

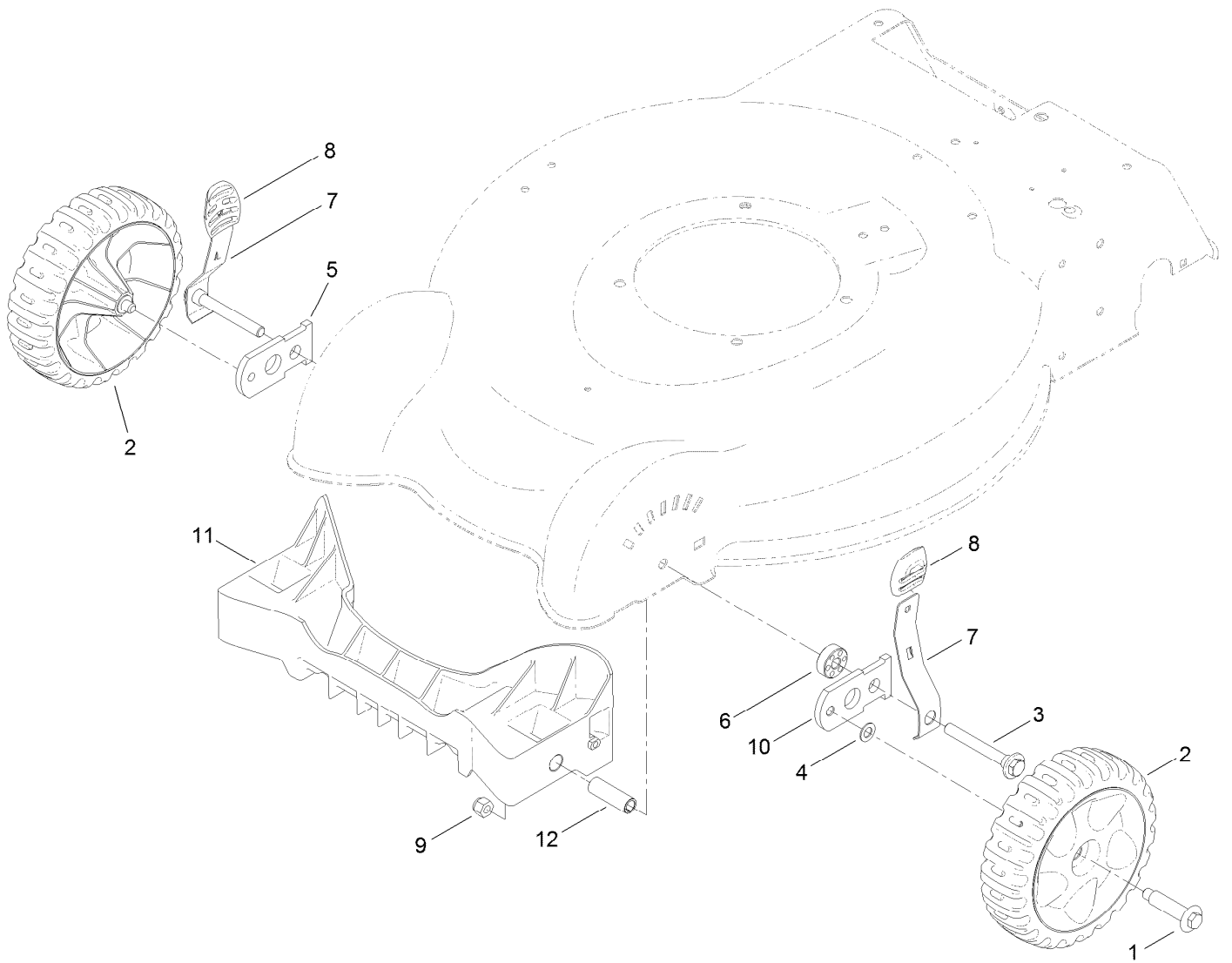
<i>Ref.</i>	<i>Part Number</i>	<i>Qty.</i>	<i>Description</i>
47	119-1968	1	Governor Arm Kit
48	127-9144	1	Seal And Gasket Kit

Carburetor, Muffler, Air Cleaner and Valve Cover Assembly



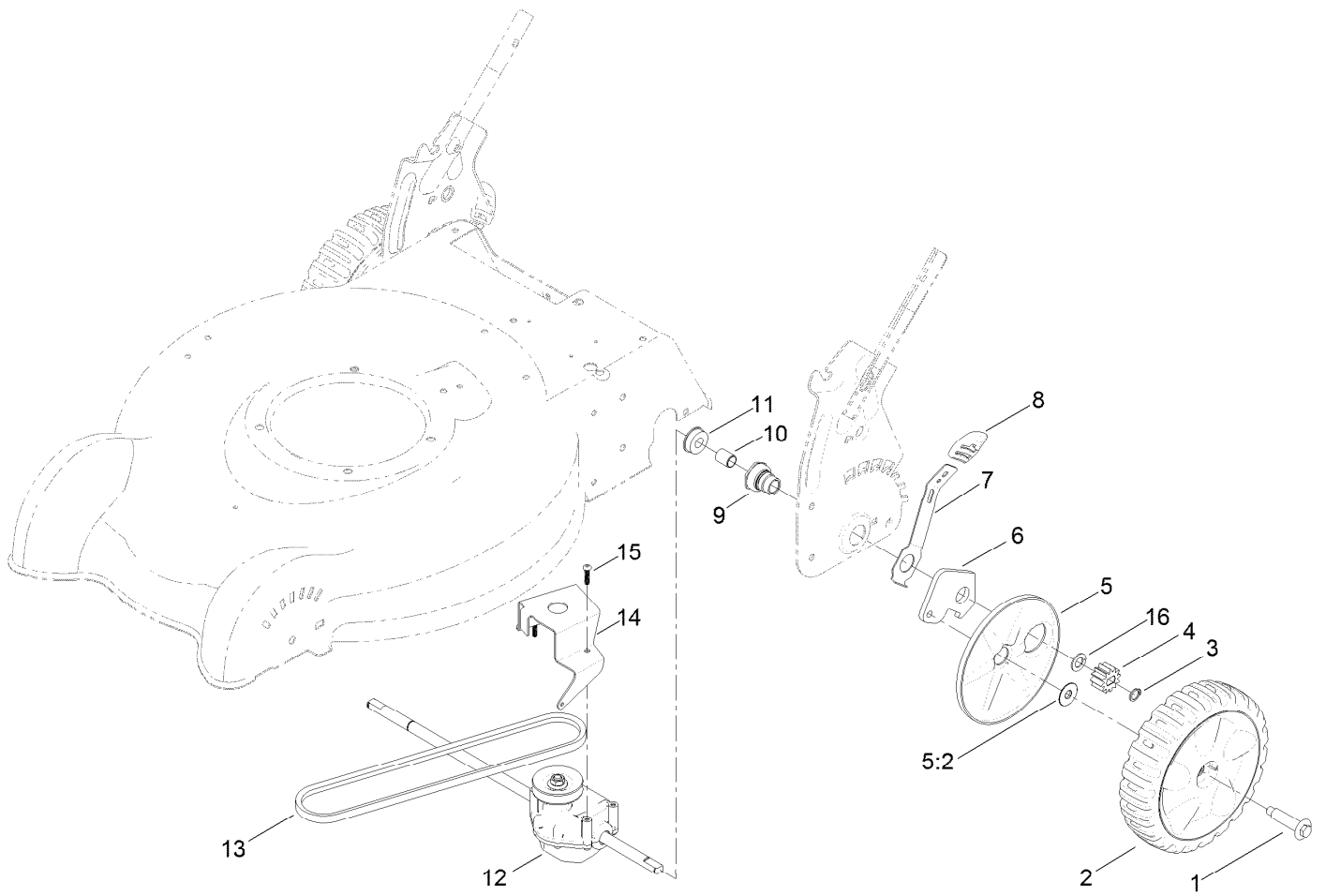
Carburetor, Muffler, Air Cleaner and Valve Cover Assembly (continued)

<i>Ref.</i>	<i>Part Number</i>	<i>Qty.</i>	<i>Description</i>	<i>Ref.</i>	<i>Part Number</i>	<i>Qty.</i>	<i>Description</i>
1	121-4175	1	Thermal Control Kit	13	121-0367	2	Stud-Intake
4	120-4451	1	Lock-Throttle	23	121-4199	1	Spark Plug
9	119-1902	1	Tube-Breather	24	121-4186	1	Ignition Kit
10	119-1909	1	Air Filter And Prefilter Kit	25	121-4277	1	Muffler And Shield Kit
11	121-4177	1	Air Cleaner ASM Kit	27	121-4188	1	Valve Cover Kit
12	120-4405	1	Carburetor Repair Kit	48	127-9144	1	Seal And Gasket Kit
12	121-4181	1	Carburetor Complete Kit	48:10	121-4190	1	Gasket-Valve



Front Wheel and Height-of-Cut Assembly

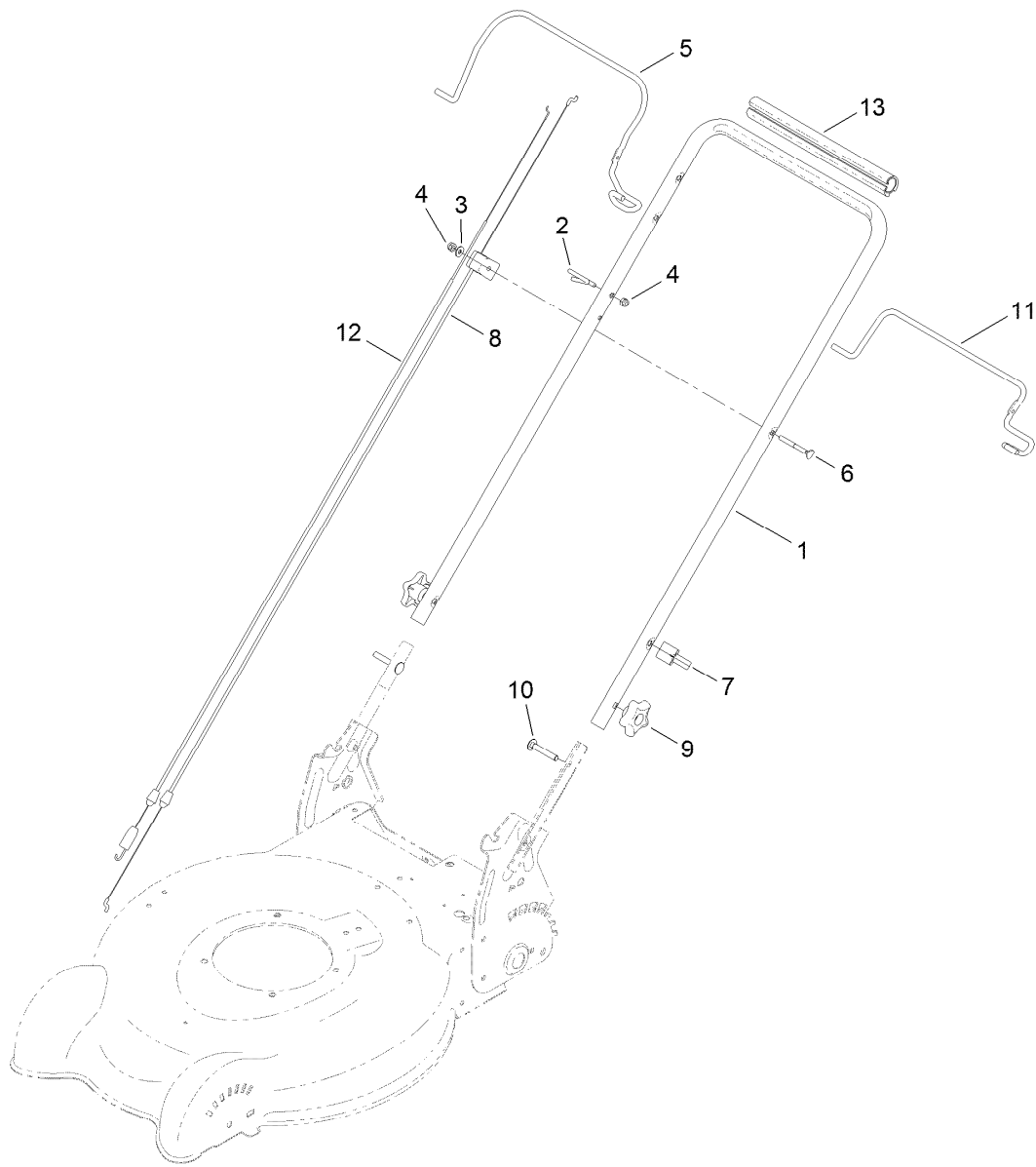
Ref.	Part Number	Qty.	Description
1	614650	2	Bolt-Shoulder
2	119-3777	2	7 Inch Wheel And Tire ASM
3	117-5996	2	Bolt-Shoulder
4	40-1940	2	Washer
5	107-3877	1	Arm-Pivot, RH
6	117-5997	2	Spacer-Arm, Pivot
7	112-8828	2	Arm-Spring, Front
8	105-3042	2	Knob-Lever, HOC
9	3296-39	2	Nut-Lock, NI
10	108-1044	1	Arm-Pivot, LH
11	117-5971	1	Baffle-Front, Rwd (Ce)
12	117-5992	2	Spacer-Baffle, Front



Transmission, Rear Wheel and Height-of-Cut Assembly

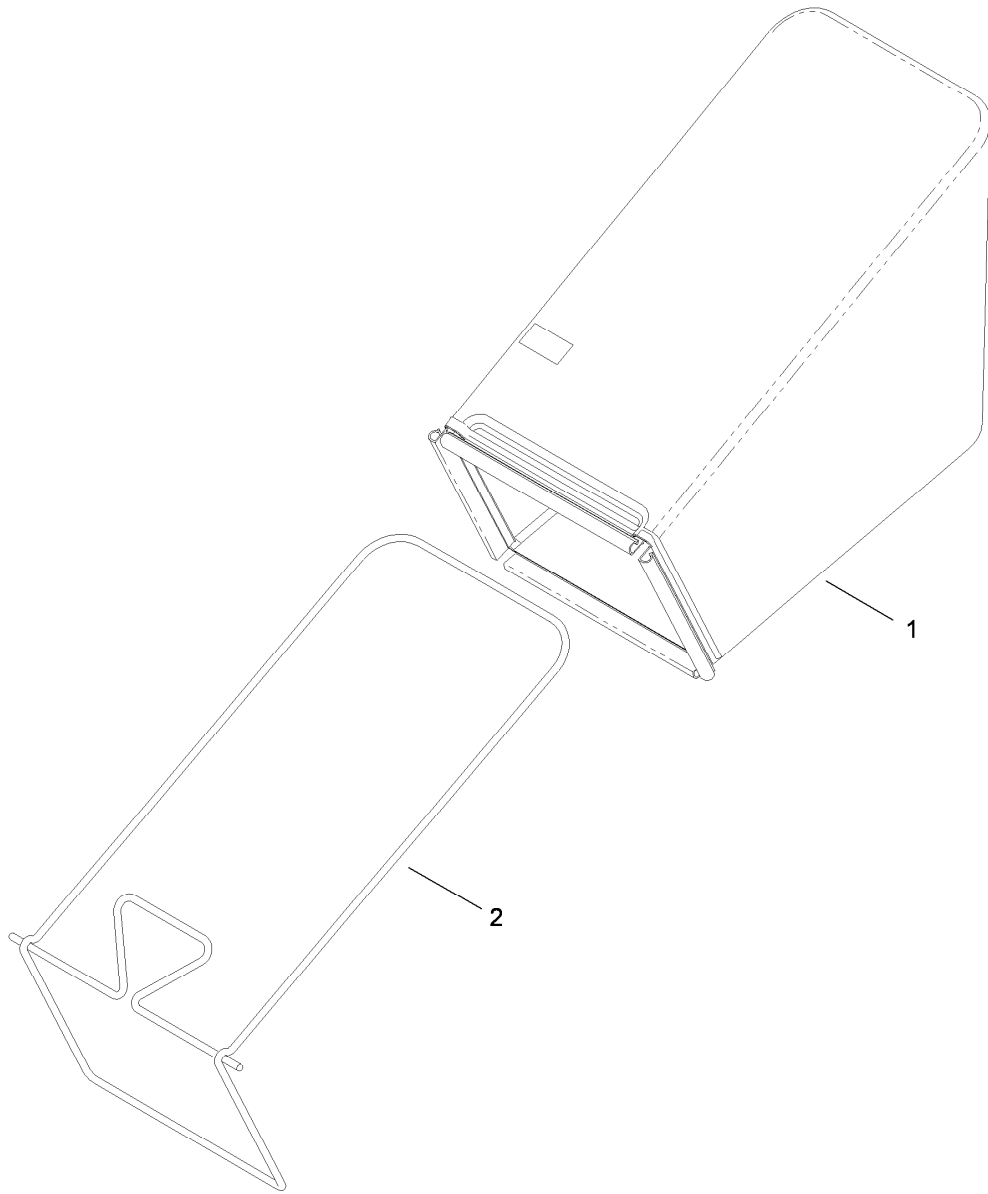
Ref.	Part Number	Qty.	Description
1	614650	2	Bolt-Shoulder
2	119-7068	2	8 Inch Wheel And Gear ASM
3	32151-61	2	Ring-Retaining
4	115-4668	2	Gear-Pinion
5	110-1792	2	Wheel Cover ASM
5:2	614426	1	Washer-Stepped
6	108-9781	2	Arm-Pivot, Rear
7	108-9780	2	Arm-Spring

Ref.	Part Number	Qty.	Description
8	105-3042	2	Knob-Lever, HOC
9	108-9779	2	Retainer-Bushing, HOC
10	108-9782	2	Bushing-Sleeve
11	104-8699	2	Bearing-Ball
12	121-9181	1	Transmission ASM
13	110-9429	1	V-Belt
14	114-7977-03	1	Bracket-Transmission
15	108-7476	3	Screw-Plastite
16	110-7191	2	Washer-Thrust



Handle Assembly

<i>Ref.</i>	<i>Part Number</i>	<i>Qty.</i>	<i>Description</i>
1	119-0308-05	1	Handle-Upper
2	86-9671	1	Guide-Rope
3	3256-1	1	Washer-Flat
4	3296-73	2	Nut-Lock, NI
5	117-5940-03	1	Bail-Brake
6	92-2270	1	Screw-Handle
7	114-7988	1	Guide-Cable
8	112-8818	1	Cable-Brake
9	117-5976	2	Knob-Handle
10	3230-6	2	Screw-CARR
11	112-8835-03	1	Bail-Traction, 2-Bail Flat
12	112-8817	1	Cable-Traction
13	120-5216	1	Grip-Handle, Comfort



Rear Bag Assembly

<i>Ref.</i>	<i>Part Number</i>	<i>Qty.</i>	<i>Description</i>
1	119-3759	1	Grass Bag ASM
2	120-7029-03	1	Frame-Bag

Attachments and Accessories

For 29639 50cm Mulching/Rear Bagging Lawn Mower

Product Name

Model/Part

Lawnmower Cover.....	490-7462
Rear-Discharge Deflector, 2009 and After 20in Steel Deck Mower	89964

Notes:

Notes:

Notes:



Count on it.