



Count on it.

Parts Catalog

Powerlite® Snowthrower

Model No. 38273—Serial No. 311000001 and Up



Ordering Replacement Parts

To order replacement parts, please supply the part number, the quantity, and the description of each part desired.

Understanding Reference Numbers

Each identified part in an illustration has a reference number. The reference number for a part also appears in the parts list, along with other information about the part.

This catalog uses two special reference number formats, one to indicate parts in a service assembly and another to indicate the quantity of a given part in an illustration.

Service Assembly Reference Numbers

Parts in service assemblies have reference numbers in the form a:b. The a represents the reference number of the entire service assembly and the b represents a sequential number unique to each part within the service assembly.

For example, a wheel assembly might be identified by reference number 6, the tire by 6:1, the valve by 6:2, and the wheel by 6:3. When you order the assembly identified by reference number 6, you receive all parts identified by reference numbers 6:1, 6:2, and 6:3. However, you may also order any part individually. Reference numbers of this type appear in illustration and in parts lists.

Reference Numbers Indicating Quantity

In an illustration, if a reference number indicates more than one part, the reference number has the form nX y. The n represents the quantity of the part, the X is the multiplication symbol, and the y represents the reference number.

For example, in an illustration, the reference number 2X 37 means that two of the parts identified by reference number 37 are indicated.

List of Abbreviations

AR: as required

ASM: assembly

BBC: blade brake control

BHTF: button head thread forming

CARR: carriage

CCW: counter clockwise

CW: clockwise

DEG: degrees

DPA: Dual Point Adjustment

ECM: electronic control module

EXT: external

FH: flat head

GA: gauge

HD: heavy-duty

HF: hex flange

HH: hex head

HHF: hex head flange

HHFTF: hex head flange thread forming

HJ: hex jam

HLH: hex lag head

HOC: height-of-cut

HSBH: hex socket button head

HSFH: hex socket flat head

HSH: hex socket head

HWH: hex washer head

HWHTF: hex washer head thread forming

HYD: hydraulic

LH: left hand

LP: Liquefied Petroleum Gas

LPG: Liquefied Petroleum Gas

NI: nylon insert

NPTF: national pipe thread fine

PFH: phillips flat head

PPH: phillips pan head

PPHTF: phillips pan head thread forming

PRH: phillips round head

PTH: phillips truss head

PTO: power-take-off

RH: right hand

ROPS: roll-over protection system

RRB: rear roller brush

SFH: slotted fillister head

SHH: slotted hex head

SHWH: slotted hex washer head

SPH: slotted pan head

SQH: square head

SRH: slotted round head

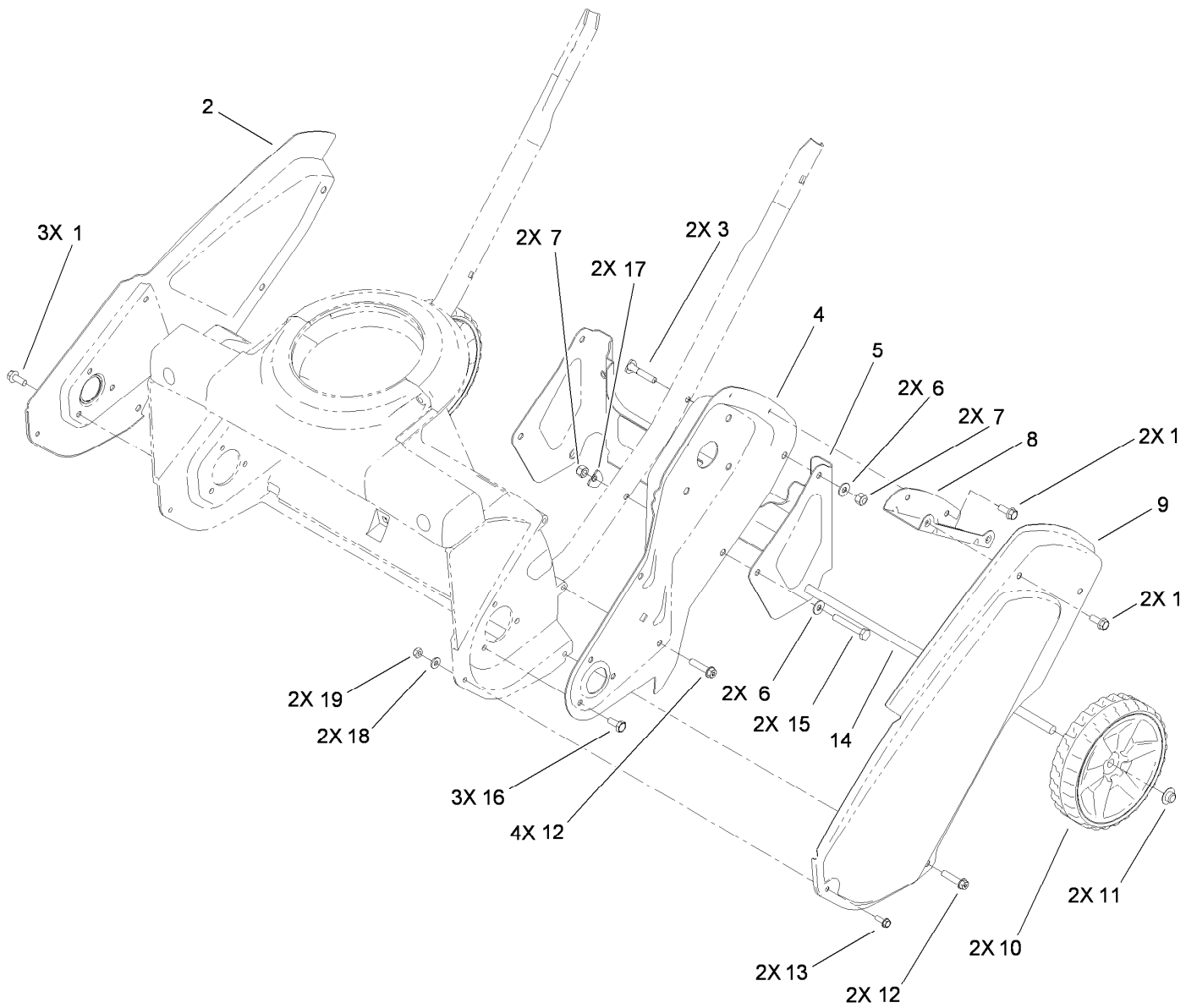
STD: standard

TAP: self tapping

TTH: torx truss head

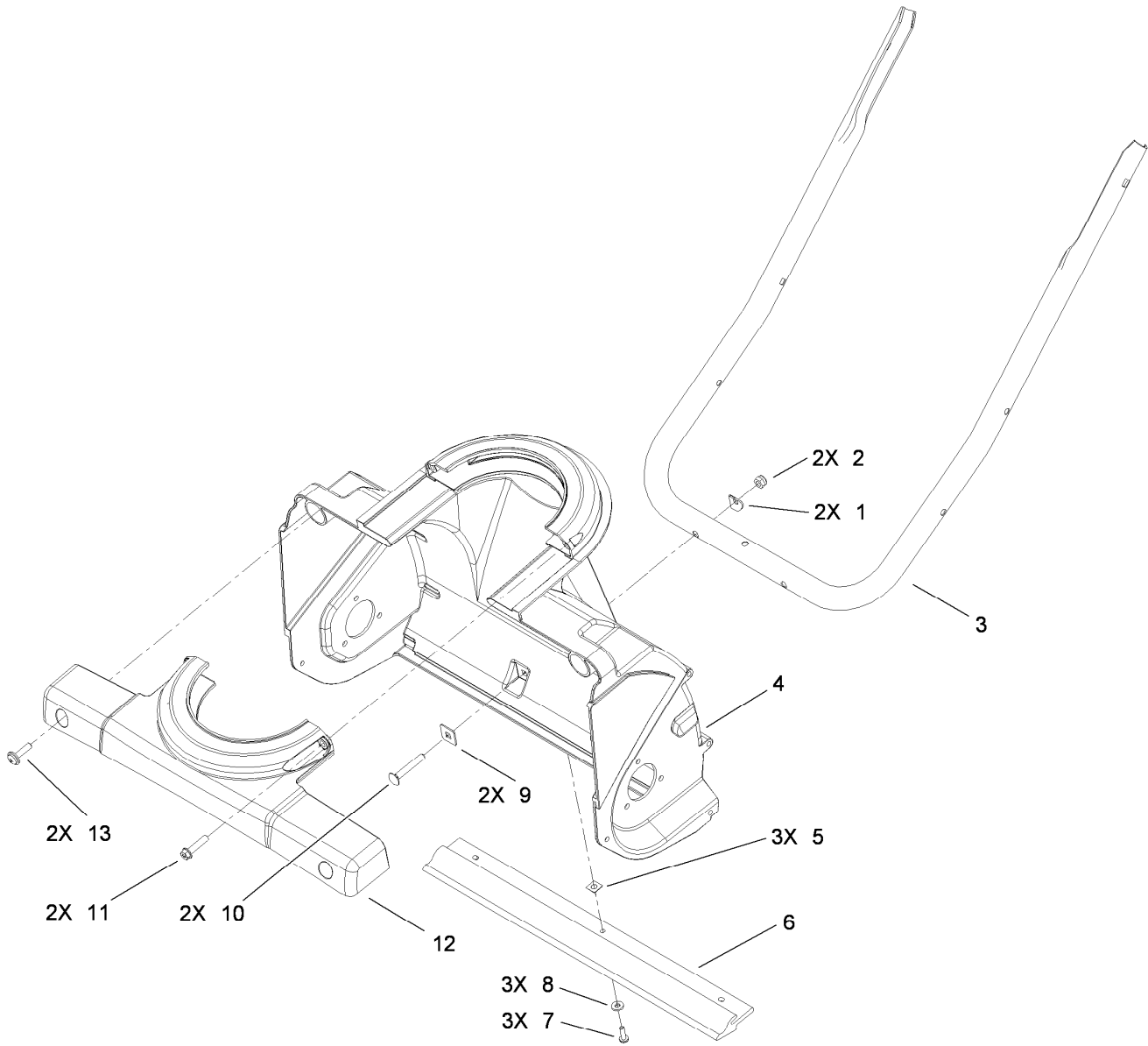
Contents

| | |
|---|----|
| Axle, Rear Wheel and Sideplate Assembly | 4 |
| Auger Housing Assembly | 5 |
| Rotor Drive Assembly | 6 |
| Belt and Drive Assembly | 7 |
| Engine and Mounting Assembly | 8 |
| Engine Assembly | 9 |
| Shroud Assembly | 10 |
| Handle Assembly | 11 |
| Deflector Chute Control Assembly | 12 |
| Attachments and Accessories | 13 |



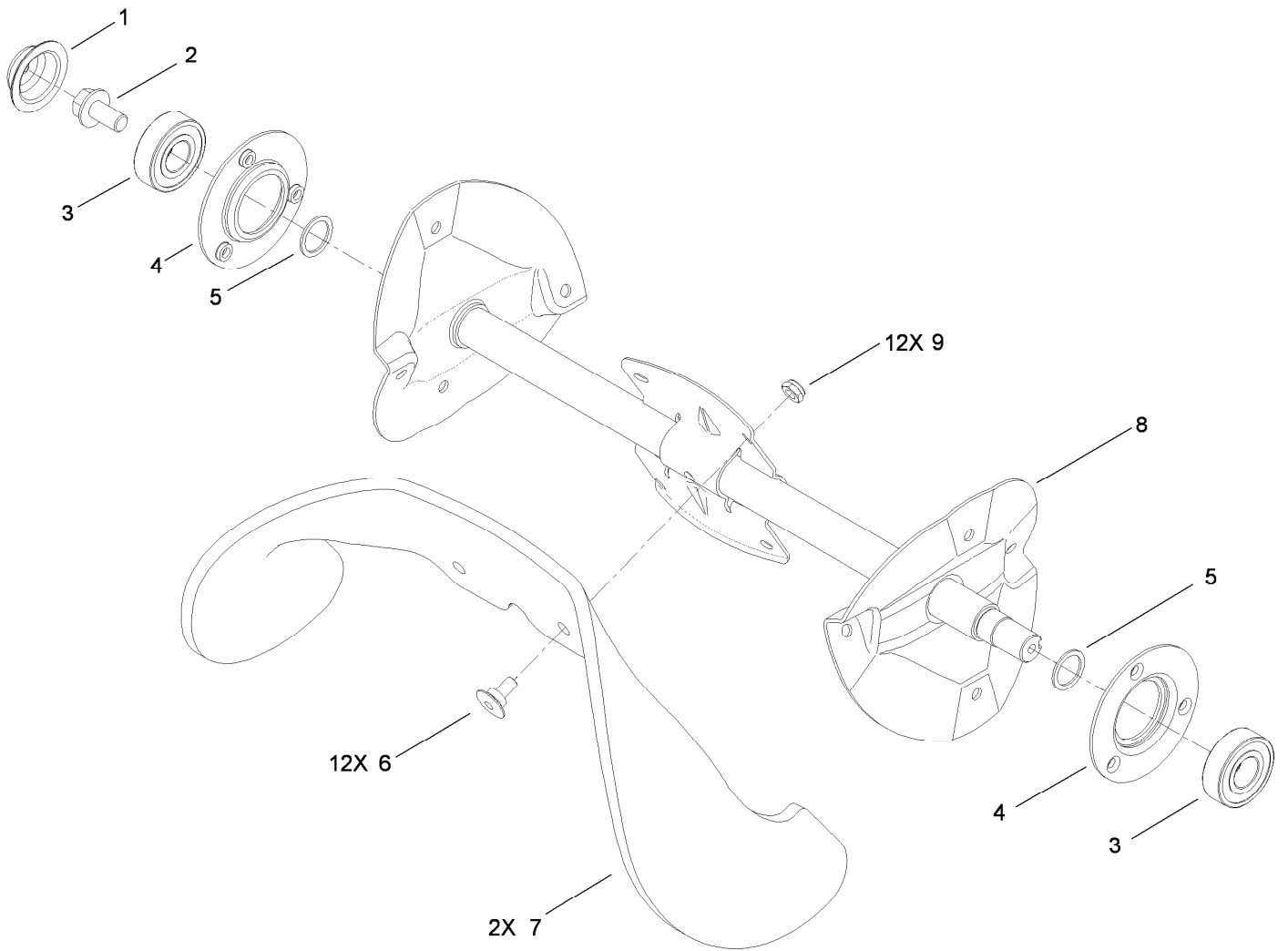
Axle, Rear Wheel and Sideplate Assembly

| <i>Ref.</i> | <i>Part Number</i> | <i>Qty.</i> | <i>Description</i> | <i>Ref.</i> | <i>Part Number</i> | <i>Qty.</i> | <i>Description</i> |
|-------------|--------------------|-------------|---------------------|-------------|--------------------|-------------|--------------------|
| 1 | 32144-85 | 7 | Screw-HWH | 11 | 3290-320 | 2 | Retainer-Push On |
| 2 | 117-7704-03 | 1 | Sideplate-RH | 12 | 46-8094 | 6 | Screw-Plastite |
| 3 | 117-7737 | 2 | Screw-Handle | 13 | 32105-23 | 2 | Screw |
| 4 | 117-2349-03 | 1 | Sideplate-LH | 14 | 120-0128 | 1 | Axle |
| 5 | 117-7702-03 | 1 | Bracket-Wheel | 15 | 321-53 | 2 | Screw-HH |
| 6 | 3256-1 | 4 | Washer-Flat | 16 | 114-9291 | 3 | Screw-HH, Taptite |
| 7 | 3296-73 | 4 | Nut-Lock, NI | 17 | 3-7501 | 2 | Washer |
| 8 | 117-2334-03 | 1 | Bracket-Cover, Belt | 18 | 3256-14 | 2 | Washer-Flat |
| 9 | 117-7703-03 | 1 | Cover-Belt | 19 | 3296-2 | 2 | Nut-Lock, NI |
| 10 | 23-3250 | 2 | Wheel | | | | |



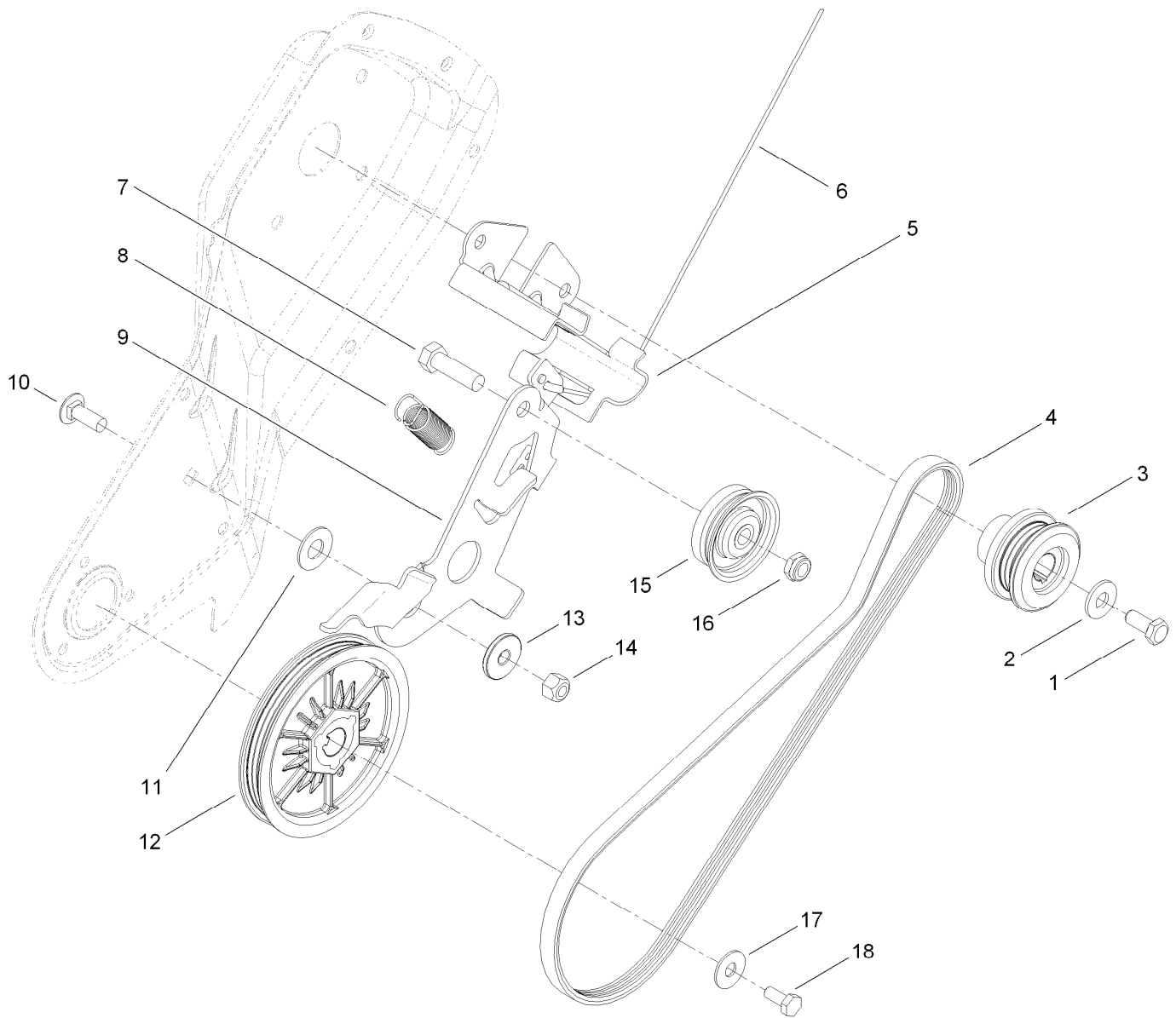
Auger Housing Assembly

| Ref. | Part Number | Qty. | Description |
|------|-------------|------|-----------------|
| 1 | 3-7501 | 2 | Washer |
| 2 | 3296-73 | 2 | Nut-Lock, NI |
| 3 | 117-2348-03 | 1 | Handle-Lower |
| 4 | 117-2331 | 1 | Housing-Lower |
| 5 | 32115-19 | 3 | Nut-Clip, U |
| 6 | 117-7717 | 1 | Scraper |
| 7 | 32144-34 | 3 | Screw-HWHTF |
| 8 | 3256-14 | 3 | Washer-Flat |
| 9 | 75-9040 | 2 | Washer-Square |
| 10 | 3229-5 | 2 | Screw-CARR |
| 11 | 46-8094 | 2 | Screw-Plastite |
| 12 | 117-2332 | 1 | Retainer-Chute |
| 13 | 110-9361 | 2 | Screw-PPH, Sems |



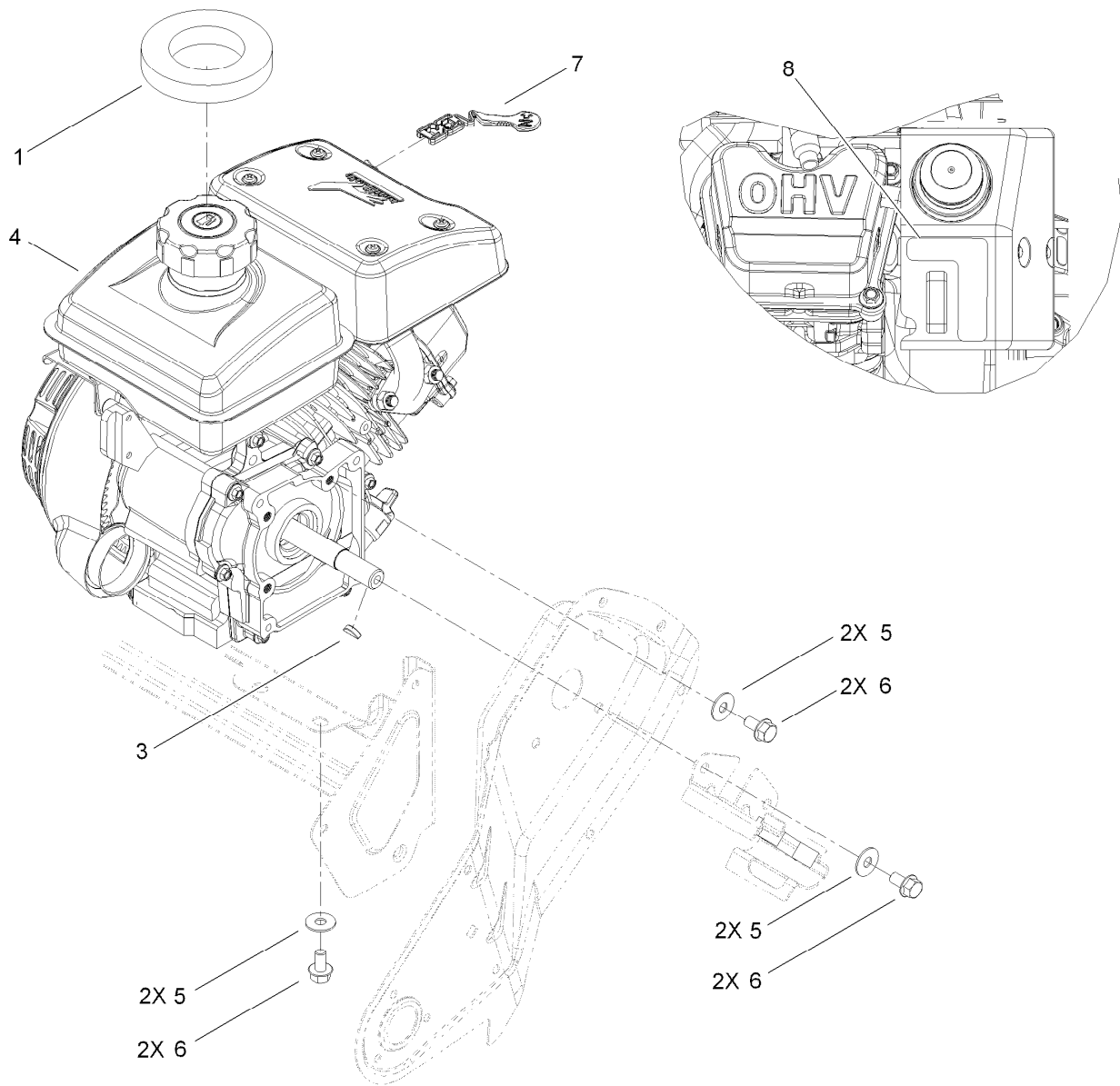
Rotor Drive Assembly

| <i>Ref.</i> | <i>Part Number</i> | <i>Qty.</i> | <i>Description</i> |
|-------------|--------------------|-------------|--------------------|
| 1 | 117-7720 | 1 | Cap-Sideplate, RH |
| 2 | 110-9380 | 1 | Screw-HWH |
| 3 | 100-1048 | 2 | Bearing-Ball |
| 4 | 112-8105 | 2 | Flange-Bearing |
| 5 | 52-7280 | 2 | Washer-Thrust |
| 6 | 84-1970 | 12 | Screw |
| 7 | 117-7700 | 2 | Blade-Rotor |
| 8 | 117-2315-03 | 1 | Rotor ASM |
| 9 | 3296-56 | 12 | Nut-Lock, NI |



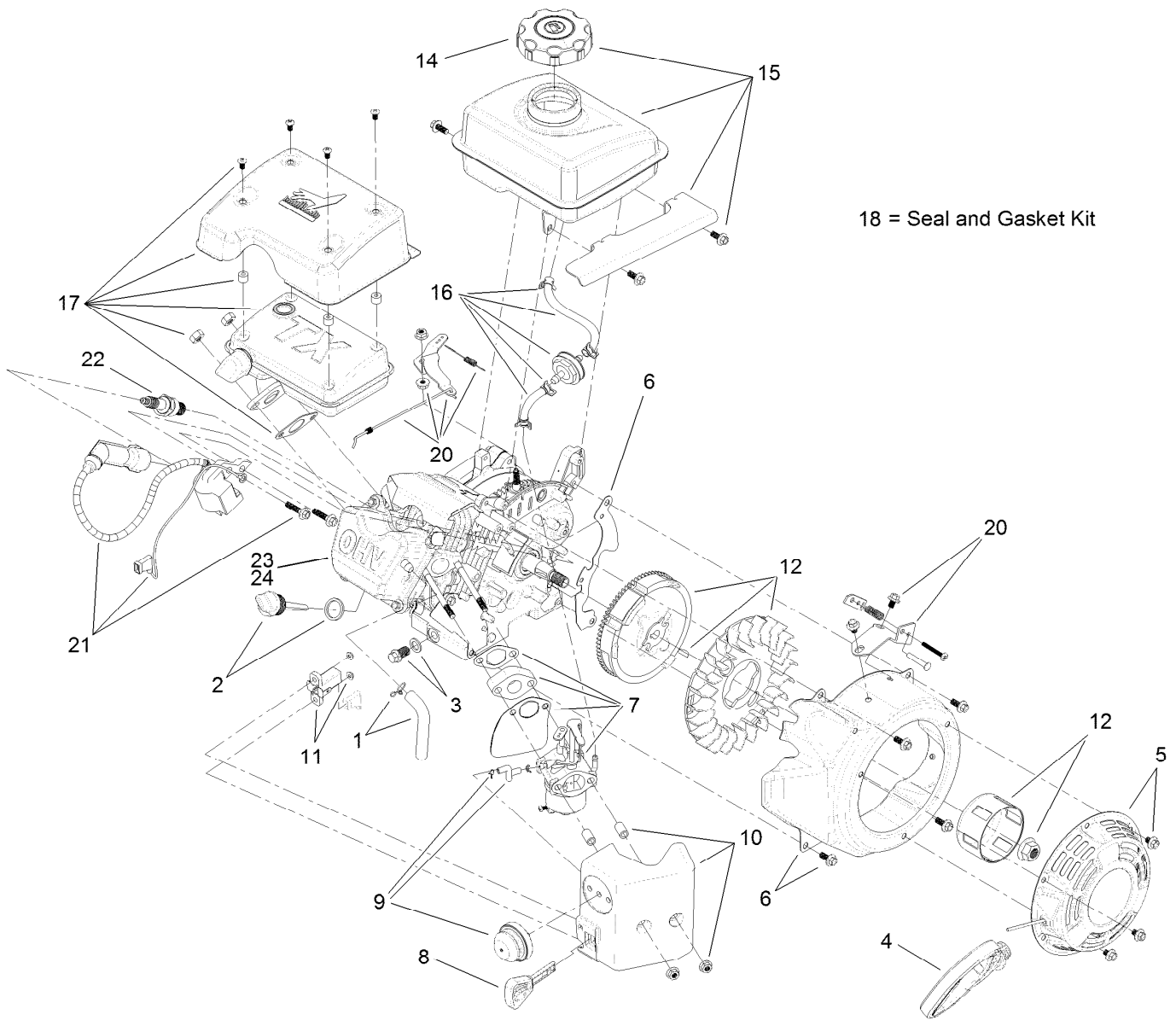
Belt and Drive Assembly

| <i>Ref.</i> | <i>Part Number</i> | <i>Qty.</i> | <i>Description</i> | <i>Ref.</i> | <i>Part Number</i> | <i>Qty.</i> | <i>Description</i> |
|-------------|--------------------|-------------|--------------------|-------------|--------------------|-------------|--------------------|
| 1 | 3235-6 | 1 | Screw-HH | 10 | 3230-10 | 1 | Screw-CARR |
| 2 | 3256-71 | 1 | Washer-Flat | 11 | 25-5640 | 1 | Washer |
| 3 | 117-7734 | 1 | Pulley-Engine | 12 | 117-7732 | 1 | Rotor Pulley ASM |
| 4 | 117-7733 | 1 | Belt-V, Ribbed | 13 | 117-7711 | 1 | Bushing-Idler |
| 5 | 119-2907 | 1 | Guide-Belt | 14 | 3296-29 | 1 | Nut-Lock, NI |
| 6 | 117-7721 | 1 | Cable-Clutch | 15 | 117-9105 | 1 | Pulley-Idler |
| 7 | 323-44 | 1 | Screw-HH | 16 | 3296-59 | 1 | Nut-Lock, NI |
| 8 | 117-7715 | 1 | Spring-Brake | 17 | 3290-456 | 1 | Washer-Belleville |
| 9 | 117-7735 | 1 | Arm-Idler | 18 | 110-9381 | 1 | Screw-HH |



Engine and Mounting Assembly

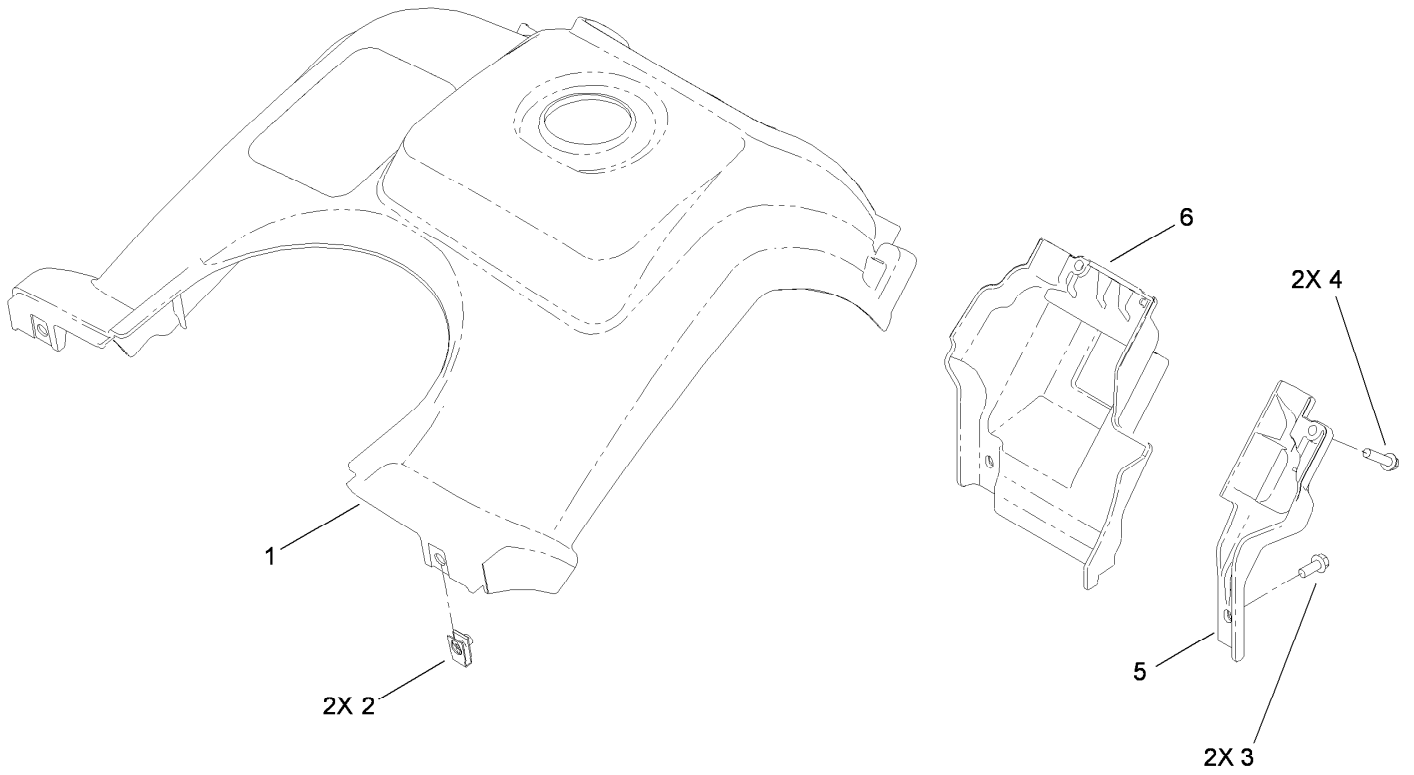
| <i>Ref.</i> | <i>Part Number</i> | <i>Qty.</i> | <i>Description</i> |
|-------------|--------------------|-------------|-----------------------|
| 1 | 117-7723 | 1 | Seal-Tank |
| 3 | 3257-3 | 1 | Key-Woodruff |
| 4 | 119-1974 | 1 | Engine-Lc154Fs-1 |
| 5 | 3290-456 | 6 | Washer-Belleville |
| 6 | 33104-016 | 6 | Screw-HHF |
| 7 | 117-7727 | 1 | Lever-Choke |
| 8 | 117-7741 | 1 | Decal-Control, Engine |



Engine Assembly

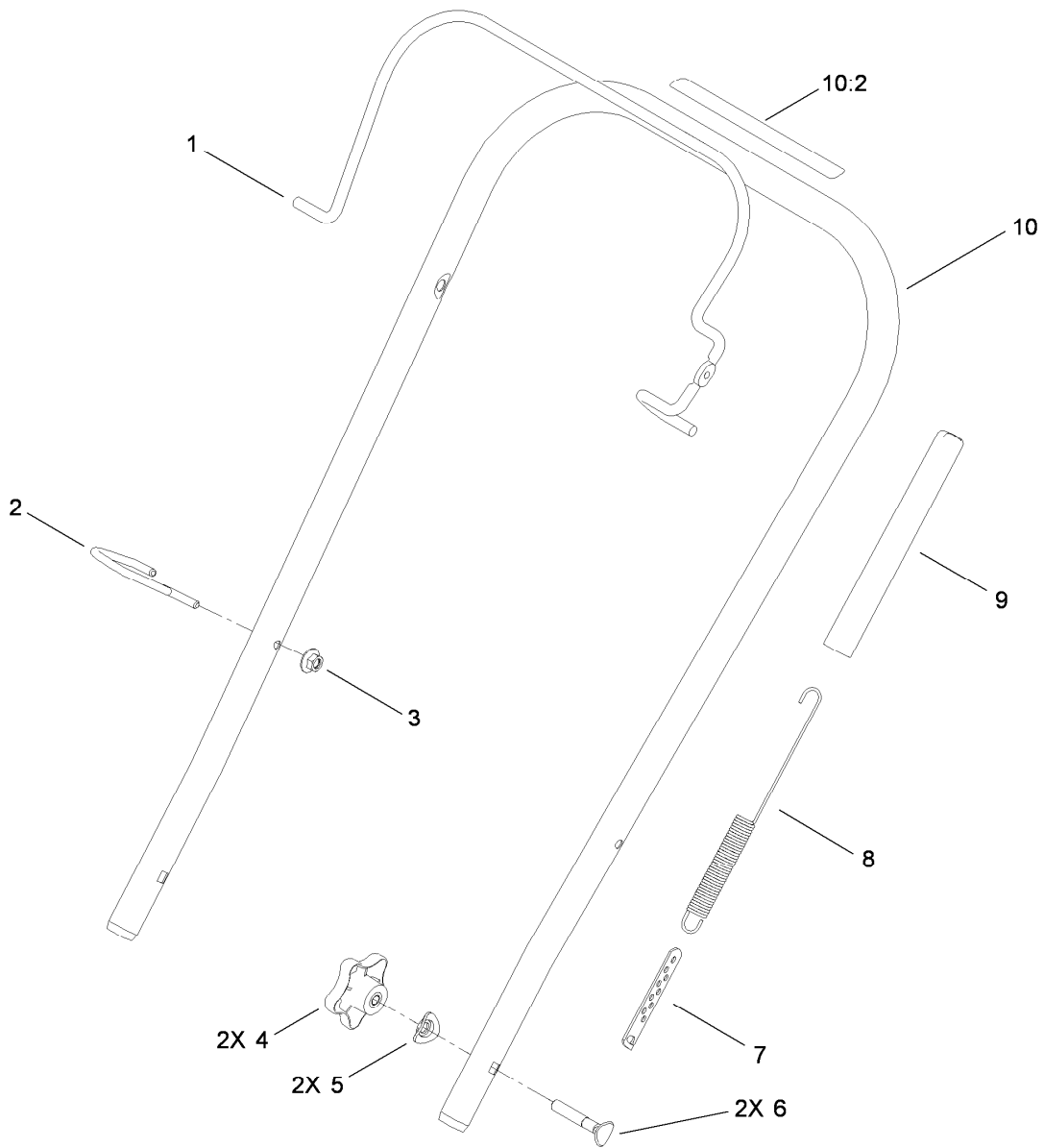
| Ref. | Part Number | Qty. | Description | Ref. | Part Number | Qty. | Description |
|------|-------------|------|-----------------------------|------|-------------|------|--|
| 1 | 119-1921 | 1 | Breather Tube Kit | 15 | 119-1985 | 1 | Fuel Tank, Cap And Hardware Kit |
| 2 | 119-1922 | 1 | Dipstick And O-Ring Kit | 16 | 119-1937 | 1 | Fuel Line, Filter And Clamp Kit |
| 3 | 119-1923 | 1 | Drain Plug Kit | 17 | 119-1938 | 1 | Muffler Kit |
| 4 | 119-1924 | 1 | Mitten Grip Kit | 18 | 119-1939 | 1 | Gasket, Seal And O-Ring Kit ● |
| 5 | 119-1925 | 1 | Recoil ASM Kit | 20 | 119-1987 | 1 | Governor Arm, Spring, Link, Hardware Kit |
| 6 | 119-1927 | 1 | Blower Shroud Kit | 21 | 119-1960 | 1 | Ignition Kit |
| 7 | 119-1980 | 1 | Complete Carb Service Kit | 22 | 119-1961 | 1 | Spark Plug |
| 7 | 119-1988 | 1 | Carb Float And Needle Kit ● | 23 | 121-0110 | 1 | Gasket-Cover, Valve |
| 8 | 119-1929 | 1 | Key And Lanyard Kit | 24 | 121-0466 | 1 | Valve Cover ASM |
| 9 | 119-1981 | 1 | Primer Bulb Kit | | | | |
| 10 | 119-1982 | 1 | Heater Box Kit | | | | |
| 11 | 119-1932 | 1 | Switch Kit | | | | |
| 12 | 119-1962 | 1 | Flywheel And Fan Kit | | | | |
| 14 | 119-1984 | 1 | Fuel Cap ASM Kit | | | | |

● Not illustrated



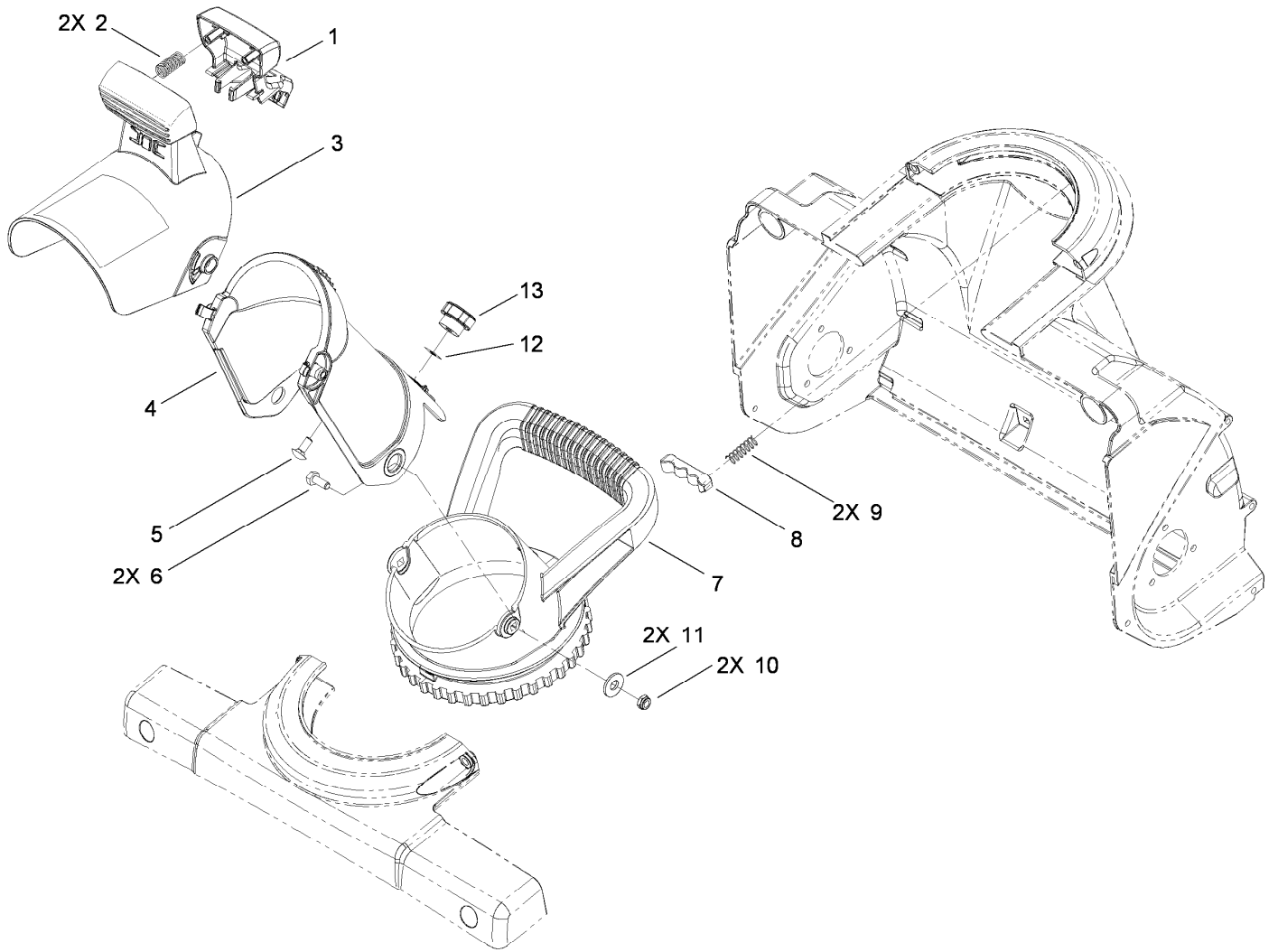
Shroud Assembly

| <i>Ref.</i> | <i>Part Number</i> | <i>Qty.</i> | <i>Description</i> |
|-------------|--------------------|-------------|--------------------|
| 1 | 119-1599 | 1 | Shroud ASM |
| 2 | 107069 | 2 | Clip |
| 3 | 32144-85 | 2 | Screw-HWH |
| 4 | 46-8094 | 2 | Screw-Plastite |
| 5 | 117-7719 | 1 | Shroud-Lower, LH |
| 6 | 117-7729 | 1 | Shroud-Lower, RH |



Handle Assembly

| <i>Ref.</i> | <i>Part Number</i> | <i>Qty.</i> | <i>Description</i> |
|-------------|--------------------|-------------|------------------------|
| 1 | 117-7718-03 | 1 | Bail-Clutch |
| 2 | 117-7712 | 1 | Guide-Rope, Recoil |
| 3 | 114-3778 | 1 | Nut-Lock, NI |
| 4 | 106-4161 | 2 | Knob-Handle |
| 5 | 107-3844 | 2 | Washer |
| 6 | 92-2260 | 2 | Screw-Handle |
| 7 | 71-5330 | 1 | Adjuster-Cable, Clutch |
| 8 | 119-2913 | 1 | Spring-Clutch |
| 9 | 114-3796 | 1 | Cover-Spring |
| 10 | 117-7743 | 1 | Upper Handle ASM |
| 10:2 | 117-7713 | 1 | Decal-Safety |



Deflector Chute Control Assembly

| Ref. | Part Number | Qty. | Description |
|------|-------------|------|------------------------|
| 1 | 117-2314 | 1 | Trigger-Deflector |
| 2 | 110-9360 | 2 | Spring-Compression |
| 3 | 117-7742 | 1 | Chute Deflector ASM |
| 4 | 117-2312 | 1 | Chute-Discharge |
| 5 | 3229-11 | 1 | Screw-CARR |
| 6 | 321-3 | 2 | Screw-HH |
| 7 | 117-2345 | 1 | Handle-Chute |
| 8 | 75-9160 | 1 | Detent-Chute |
| 9 | 75-9170 | 2 | Spring-Compression |
| 10 | 3296-56 | 2 | Nut-Lock, NI |
| 11 | 3256-81 | 2 | Washer-Flat |
| 12 | 32115-15 | 1 | Pushnut-Retainer, Bolt |
| 13 | 233-67 | 1 | Knob-Chute |

Attachments and Accessories

For 38273 Powerlite Snowthrower

Product Name

Model/Part

Case of 24 12-Ounce Bottles 5W30 Winter Oil 38907

Notes:

Notes:



Count on it.