



Engine Guard Kit

21in or 53cm Heavy-Duty Recycler®/Rear Bagger Lawn Mower

Model No. 130-9700

Installation Instructions

▲ WARNING

CALIFORNIA Proposition 65 Warning

This product contains a chemical or chemicals known to the State of California to cause cancer, birth defects, or reproductive harm.

1. Remove the 2 bolts and 2 nuts from the guard mounting holes in the front of the mower housing (Figure 1) and discard them.

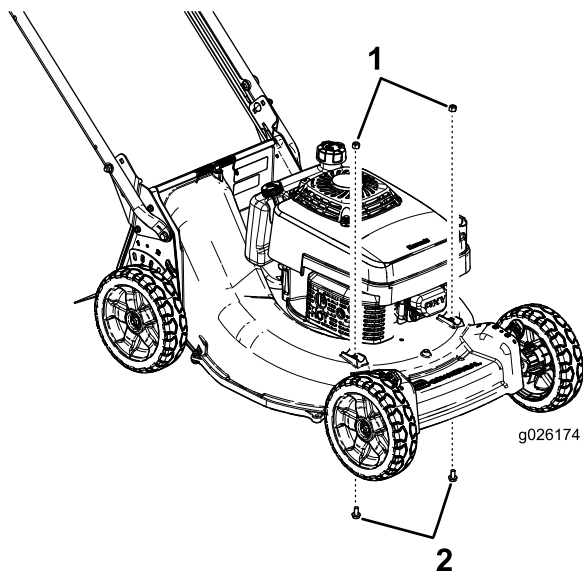


Figure 1

1. Nuts

2. Bolts

2. Install the engine guard on top of the housing with 2 bolts and 2 nuts from the kit as shown in Figure 2.

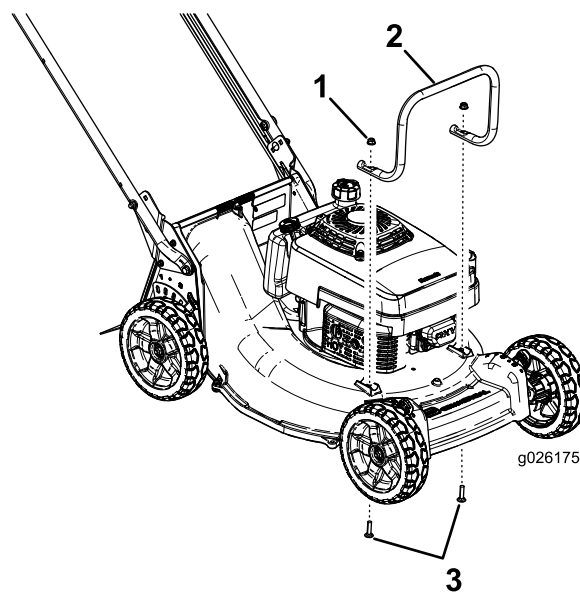


Figure 2

1. Nut (2)

2. Engine guard

3. Bolts

Note: Torque the nuts to 1807 to 2486 N-cm (160-220 in-lb).

