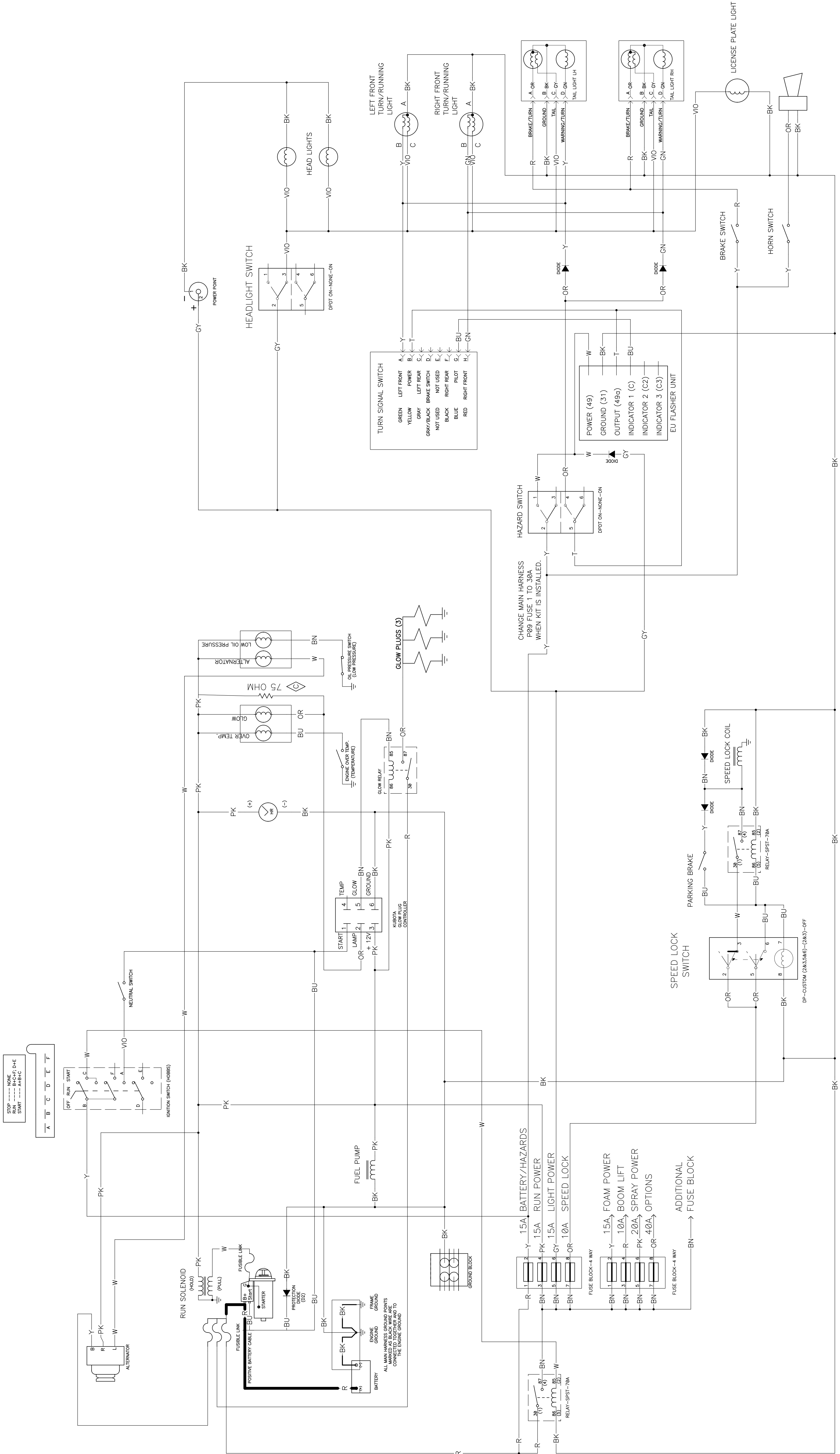
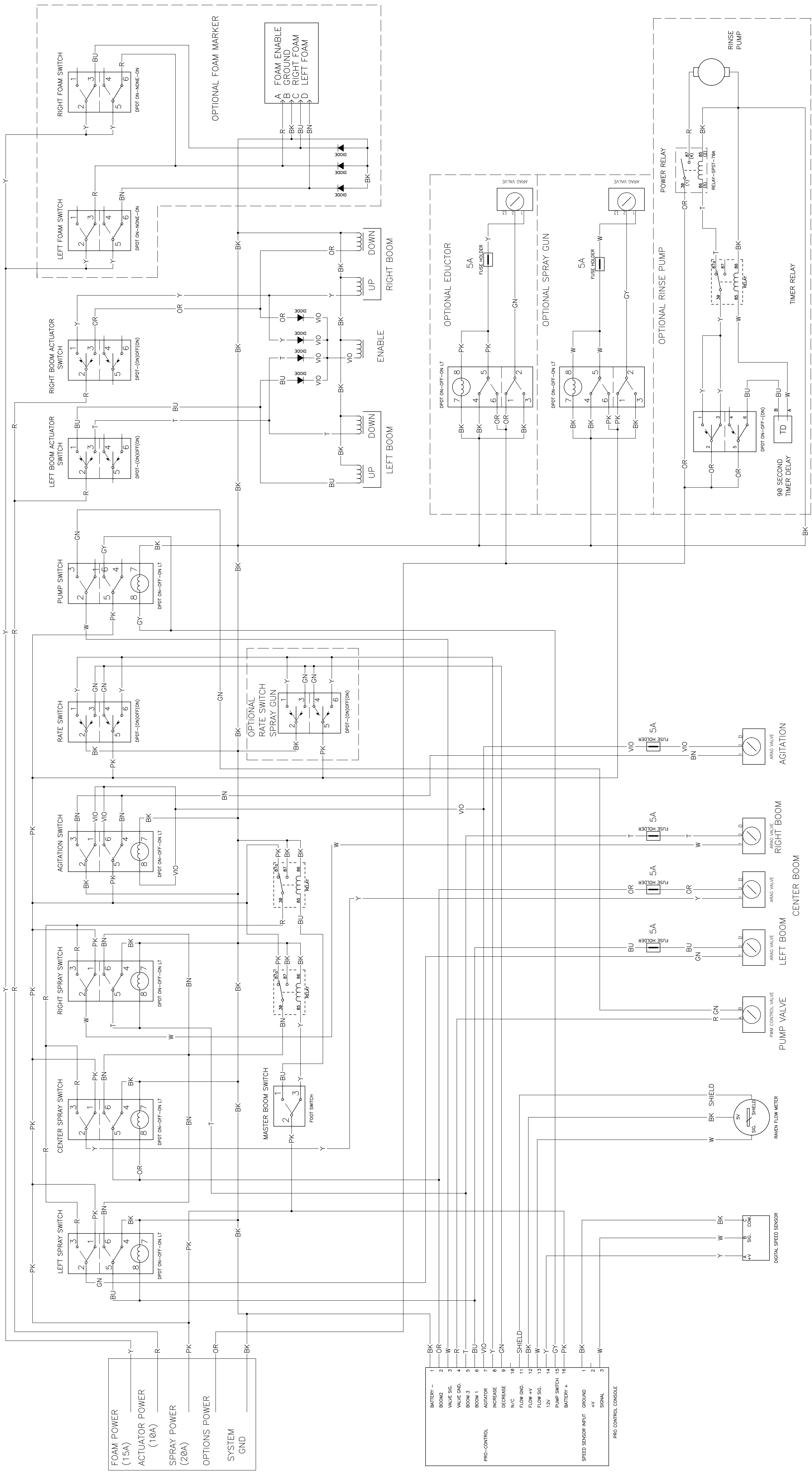




Multi-Pro 5800 Turf Sprayer
 Model No. 41593—Serial No. 314000001 and Up
 Model No. 41593N—Serial No. 314000001 and Up



Schematic—Electrical
 Models 41593 and 41593N
 Sheet 1 of 2 | DWG 119-1751 | Rev. C



- FOAM POWER (15A)
- ACTUATOR POWER (10A)
- SPRAY POWER (20A)
- OPTIONS POWER
- SYSTEM GND

- | | |
|----|---------------------|
| 1 | BATTERY - |
| 2 | BOOM2 |
| 3 | VALVE SIG. |
| 4 | VALVE GND. |
| 5 | BOOM 3 |
| 6 | BOOM 1 |
| 7 | AGITATOR |
| 8 | INCREASE |
| 9 | DECREASE |
| 10 | N/C |
| 11 | SHIELD |
| 12 | FLOW GND. |
| 13 | FLOW +V |
| 14 | FLOW SIG. |
| 15 | 12V |
| 16 | PUMP SWITCH |
| 17 | BATTERY + |
| 18 | GROUND |
| 19 | +V |
| 20 | SIGNAL |
| 21 | PRO CONTROL CONSOLE |