



**Count on it.**

**Parts Catalog**

**PT-36PP Power Trowel**

Model No. 68049—Serial No. 313000001 and Up



# Ordering Replacement Parts

To order replacement parts, please supply the part number, the quantity, and the description of each part desired.

## Understanding Reference Numbers

Each identified part in an illustration has a reference number. The reference number for a part also appears in the parts list, along with other information about the part.

This catalog uses two special reference number formats, one to indicate parts in a service assembly and another to indicate the quantity of a given part in an illustration.

## Service Assembly Reference Numbers

Parts in service assemblies have reference numbers in the form a:b. The a represents the reference number of the entire service assembly and the b represents a sequential number unique to each part within the service assembly.

For example, a wheel assembly might be identified by reference number 6, the tire by 6:1, the valve by 6:2, and the wheel by 6:3. When you order the assembly identified by reference number 6, you receive all parts identified by reference numbers 6:1, 6:2, and 6:3. However, you may also order any part individually. Reference numbers of this type appear in illustration and in parts lists.

## Reference Numbers Indicating Quantity

In an illustration, if a reference number indicates more than one part, the reference number has the form nX y. The n represents the quantity of the part, the X is the multiplication symbol, and the y represents the reference number.

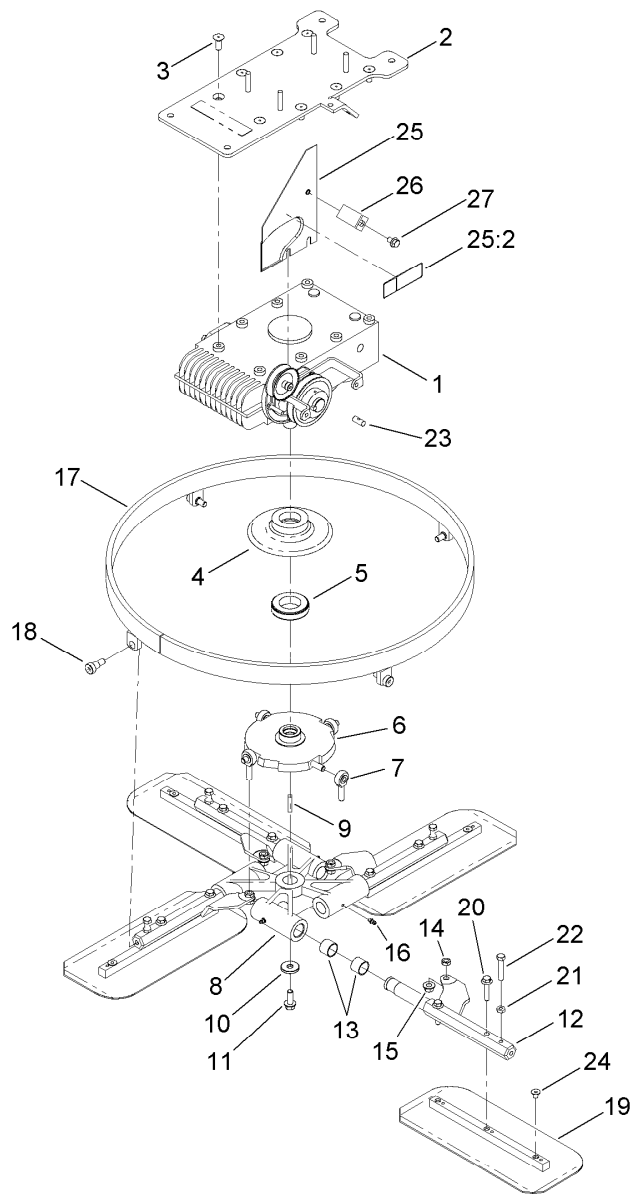
For example, in an illustration, the reference number 2X 37 means that two of the parts identified by reference number 37 are indicated.

# List of Abbreviations

<b>AR:</b> as required	<b>HLH:</b> hex lag head	<b>PTO:</b> power-take-off
<b>ASM:</b> assembly	<b>HOC:</b> height-of-cut	<b>RH:</b> right hand
<b>BBC:</b> blade brake control	<b>HSBH:</b> hex socket button head	<b>ROPS:</b> roll-over protection system
<b>BHTF:</b> button head thread forming	<b>HSFH:</b> hex socket flat head	<b>RRB:</b> rear roller brush
<b>CARR:</b> carriage	<b>HSH:</b> hex socket head	<b>SFH:</b> slotted fillister head
<b>CCW:</b> counter clockwise	<b>HWH:</b> hex washer head	<b>SHH:</b> slotted hex head
<b>CW:</b> clockwise	<b>HWHTF:</b> hex washer head thread forming	<b>SHWH:</b> slotted hex washer head
<b>DEG:</b> degrees	<b>HYD:</b> hydraulic	<b>SPH:</b> slotted pan head
<b>DPA:</b> Dual Point Adjustment	<b>LH:</b> left hand	<b>SQH:</b> square head
<b>ECM:</b> electronic control module	<b>LP:</b> Liquefied Petroleum Gas	<b>SRH:</b> slotted round head
<b>EXT:</b> external	<b>LPG:</b> Liquefied Petroleum Gas	<b>STD:</b> standard
<b>FH:</b> flat head	<b>NI:</b> nylon insert	<b>TAP:</b> self tapping
<b>GA:</b> gauge	<b>NPTF:</b> national pipe thread fine	<b>TTH:</b> torx truss head
<b>HD:</b> heavy-duty	<b>PFH:</b> phillips flat head	
<b>HF:</b> hex flange	<b>PPH:</b> phillips pan head	
<b>HH:</b> hex head	<b>PPHTF:</b> phillips pan head thread forming	
<b>HHF:</b> hex head flange	<b>PRH:</b> phillips round head	
<b>HHFTF:</b> hex head flange thread forming	<b>PTH:</b> phillips truss head	
<b>HJ:</b> hex jam		

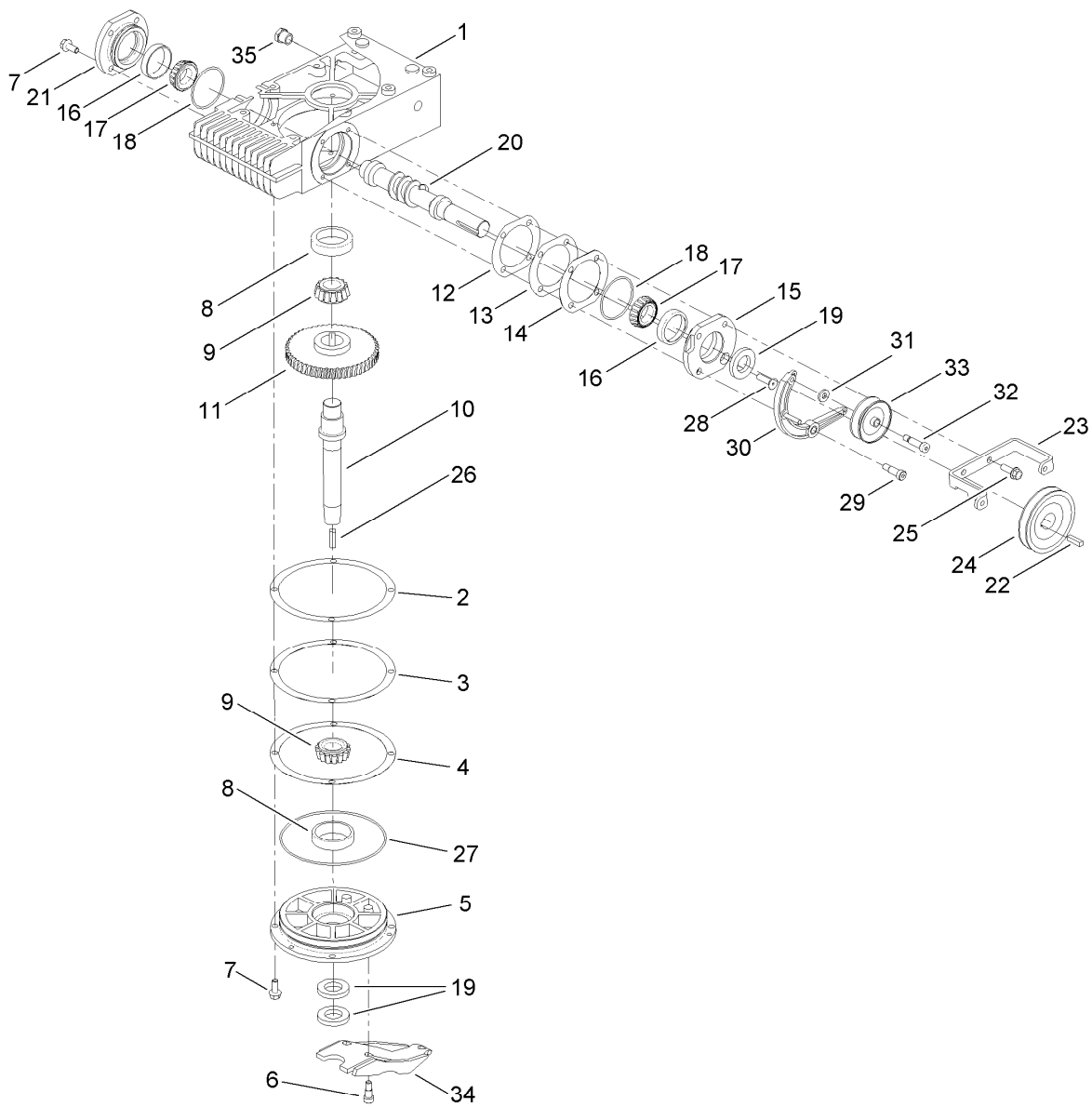
# Contents

36 Inch Rotating Ring, Blade and Gearbox Assembly .....	4
Gearbox Assembly No. 125-4991 .....	5
36 Inch Pro-Pitch Handle and Guard Assembly .....	6
Pro-Pitch Handle Assembly No. 125-6200.....	7
Pitch Handle Locking Guide Assembly.....	8
Engine, Belt and Guard Assembly.....	9



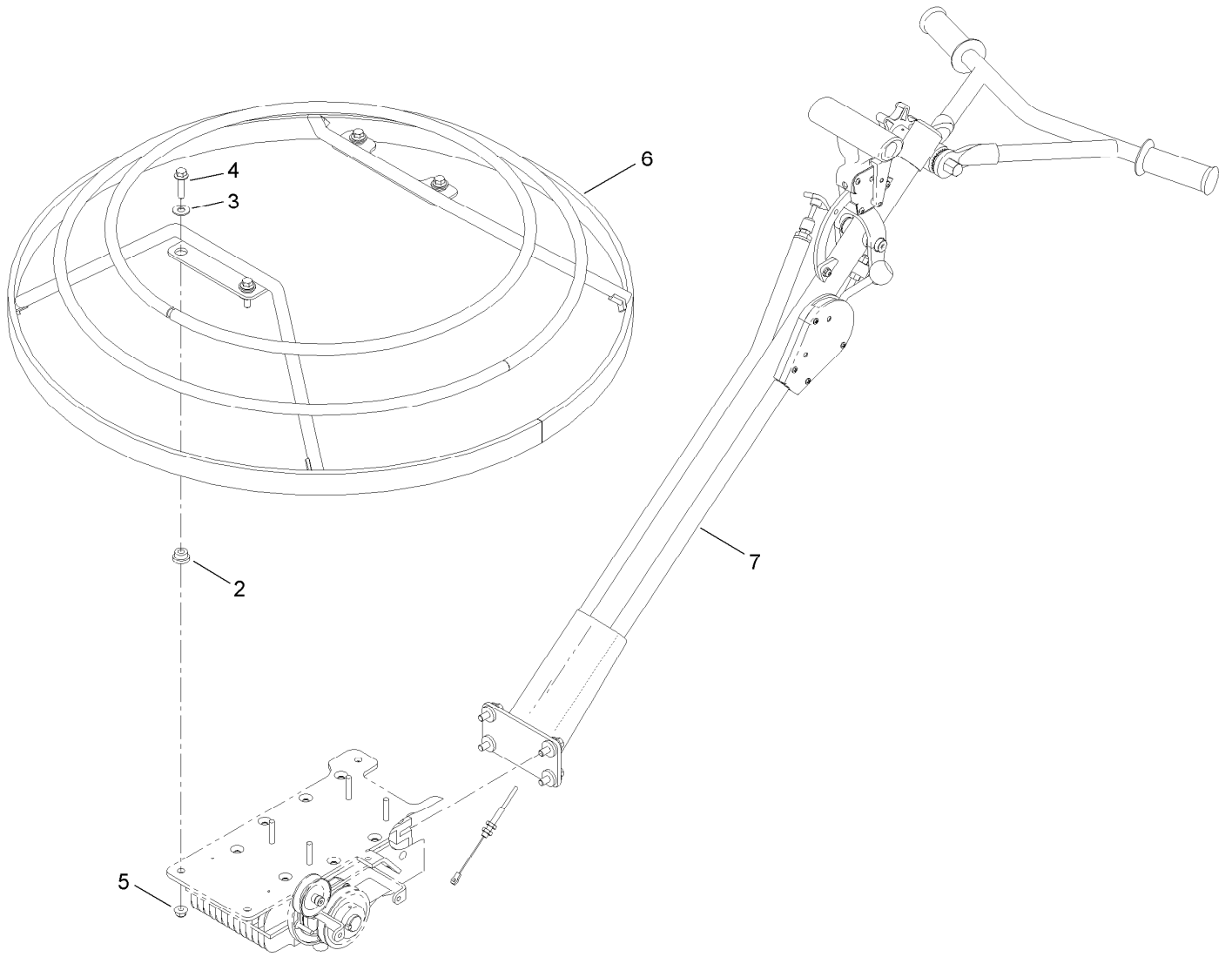
## 36 Inch Rotating Ring, Blade and Gearbox Assembly

<i>Ref.</i>	<i>Part Number</i>	<i>Qty.</i>	<i>Description</i>	<i>Ref.</i>	<i>Part Number</i>	<i>Qty.</i>	<i>Description</i>
1	125-4991	1	Gearbox ASM	15	54-9190	4	Nut-Lock
2	125-6246-01	1	Base-Engine	16	ST46042	4	Fitting-Grease
3	ST80068	8	Screw	17	ST22171-01	1	Rotating-Ring
4	ST22200-01	1	Cover-Plate, Thrust	18	ST80066	4	Screw-HSBH
5	ST32123	1	Bearing-Ball	19	125-4992	4	Blade-Combination
6	ST21684	1	Plate-Tilt	20	115-1794	8	Screw-HHF
7	ST32124	4	Rod-End	21	3218-2	4	Nut-Jam
8	ST28283-01	1	Spider-4 Arm	22	322-41	4	Screw-HH
9	79-3370	1	Key	23	ST28022	1	Cable-Tilt, Pivot
10	ST28435	1	Washer-Flat	24	ST47183	4	Carplug-Red
11	3234-42	1	Screw-HHF	25	127-2802	1	Rear Belt Guard ASM
12	ST22183-01	4	Arm	25:2	117-4979	1	Decal-Warning, Shields
13	ST32180	8	Bushing-Sleeve, Nylon	26	ST28431-01	1	Guide-Belt
14	3220-3	4	Nut-HJ	27	100-1719	1	Screw-Flange



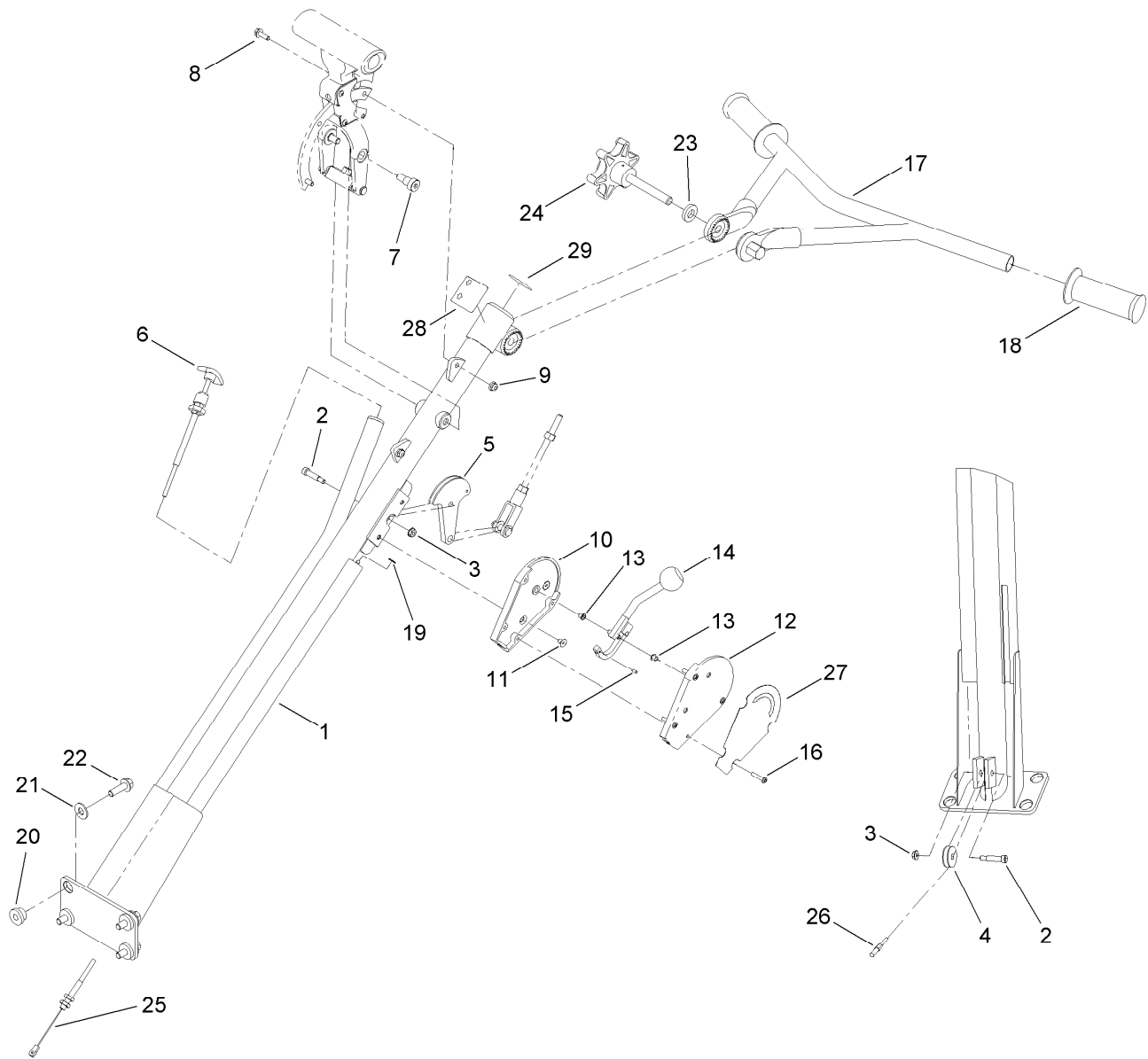
## Gearbox Assembly No. 125-4991

Ref.	Part Number	Qty.	Description	Ref.	Part Number	Qty.	Description
1	ST39547	1	Gearcase	16	254-72	2	Bearing-Cup, Tapered
2	ST47333	1	Shim-Cover, Bottom (.001 Inch)	17	254-94	2	Bearing-Cone, Tapered
3	ST47334	1	Shim-Cover, Bottom (.005 Inch)	18	ST32271	2	O-Ring
4	ST47335	5	Shim-Cover, Bottom (.010 Inch)	19	ST39014	3	Seal-Shaft
5	ST42720	1	Cap-Bearing, Bottom	20	ST42712	1	Shaft-Input
6	ST80285	2	Screw-HSBH	21	ST42719	1	Cover-Bearing, Blind End
7	3234-47	8	Screw-HHF	22	5-7280	1	Key
8	127-5561	2	Bearing-Cup	23	ST42787-01	1	Bracket-Guard, Belt [red]
9	127-5560	2	Bearing-Cone	24	ST34835	1	Sheave
10	ST42715	1	Shaft-Output	25	3234-17	2	Screw-HHF
11	ST39009	1	Gear-Worm	26	ST80744	1	Key-Hardened
12	ST47336	1	Shim-Cover, Side (.001 Inch)	27	ST32272	1	O-Ring
13	ST47337	1	Shim-Cover, Side (.005 Inch)	28	ST80105	1	Screw
14	ST47338	5	Shim-Cover, Side (.010 Inch)	29	119-6915	1	Screw-Shoulder, HSH
15	ST42718	1	Cover-Bearing, Sheave End	30	127-1662	1	Clutch Lever ASM
				31	105-5769	1	Washer
				32	114-8629	1	Bolt-Shoulder
				33	ST35203	1	Pulley-Idler
				34	125-8707	1	Lever-Tilt
				35	ST34096	1	Plug-Sight, Oil



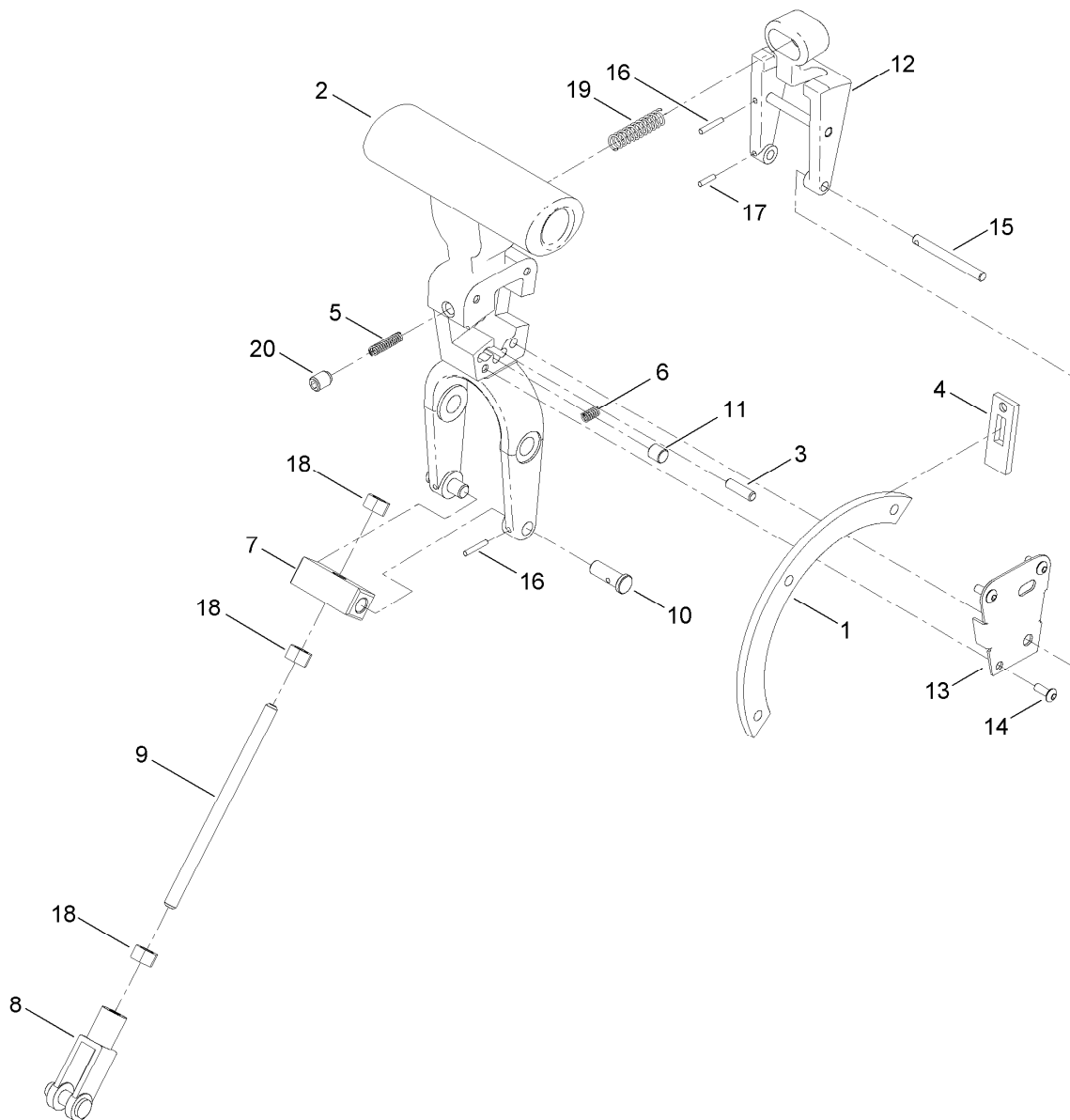
## 36 Inch Pro-Pitch Handle and Guard Assembly

<i>Ref.</i>	<i>Part Number</i>	<i>Qty.</i>	<i>Description</i>
2	ST47355	4	Mount-Shock
3	3256-4	4	Washer-Flat
4	114-4681	4	Screw-HHF
5	104-8301	4	Nut-Flange, NI
6	ST22899-01	1	Guard-Stationary
7	125-6200	1	Pro-Pitch Handle ASM



## Pro-Pitch Handle Assembly No. 125-6200

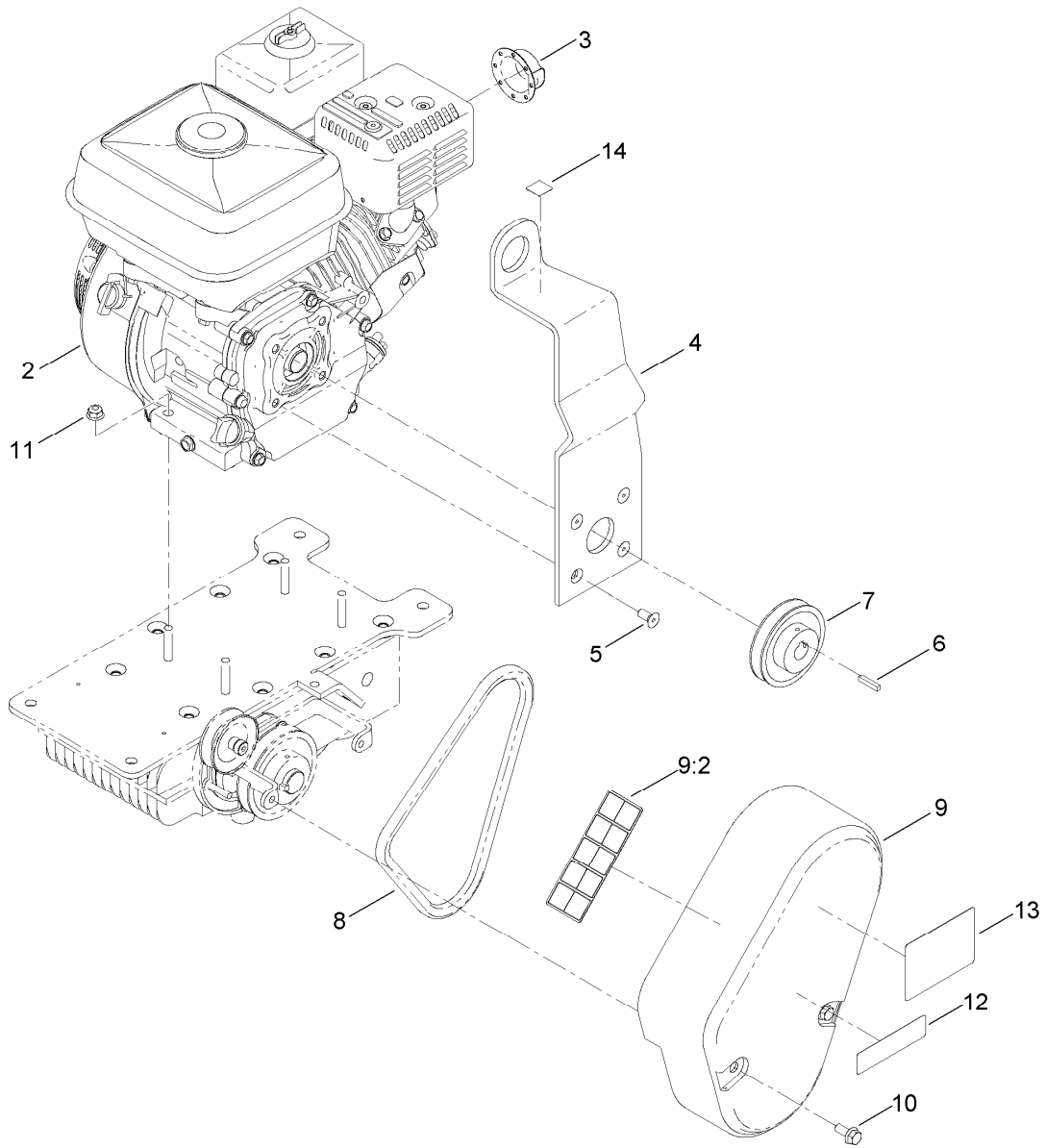
Ref.	Part Number	Qty.	Description	Ref.	Part Number	Qty.	Description
1	ST36739-01	1	Handle-Column, Main	16	ST80070	4	Screw-PPH
2	ST80275	2	Screw-HSBH	17	ST21843-01	1	Handle-Adjustment
3	32149-2	2	Nut-Keps	18	ST47125	2	Grip-Handle
4	ST36767	1	Pulley-Pivot	19	ST80069	1	Ring-External
5	ST36753	1	Cam-Cable, Tilt Pivot	20	ST47355	4	Mount-Shock
6	ST36763	1	Cable-Throttle, Push/Pull	21	3256-4	4	Washer-Flat
7	ST80066	2	Screw-HSBH	22	119-4061	4	Screw-HHF
8	115-5103	2	Screw-HHF	23	ST80125	1	Washer-Flat
9	104-7201	2	Nut-HF	24	ST21844	1	Knob-Adjustment
10	ST27353	1	Housing-Clutch, Dyna	25	ST36764	1	Cable-Clutch
11	ST80422	2	Screw	26	ST36762	1	Cable-Tilt
12	ST27355	1	Cover-Clutch	27	125-4934	1	Decal-Dyna Clutch
13	ST32117	2	Bushing-Flange	28	125-4935	1	Decal-Raise, Lower
14	ST21977	1	Lever Dyna ASM	29	125-8215	1	Decal-Pro Pitch
15	ST80305	1	Pin				



## Pitch Handle Locking Guide Assembly

<i>Ref.</i>	<i>Part Number</i>	<i>Qty.</i>	<i>Description</i>	<i>Ref.</i>	<i>Part Number</i>	<i>Qty.</i>	<i>Description</i>
1	ST36741	1	Guide-Locking, Pitch	11	ST36758	1	Plug
2	ST36747	1	Handle-Pitch	12	ST36750	1	Handle-Trip
3	ST80006	1	Pin	13	ST36748-03	1	Cover-Handle, Inspection
4	ST36742	1	Plate-Locking, Pitch	14	ST81074	3	Screw-HSBH
5	ST36773	1	Spring-Compression	15	ST36759	2	Pin-Release, Pivot
6	ST36757	1	Spring-Compression	16	ST81076	3	Pin
7	ST36743	1	Swivel-Rod, Linkage	17	ST81077	1	Pin
8	ST39255	1	End-Yoke	18	3219-3	3	Nut-Hex
9	ST36744	1	Rod-Linkage	19	ST36772	1	Spring-Compression
10	ST36745	2	Pin-Swivel, Linkage	20	ST80511	1	Screw-HSH, Set





## Engine, Belt and Guard Assembly

Ref.	Part Number	Qty.	Description
2	125-4813	1	Engine-Honda, Gx160 ●
3	ST30166	1	Deflector-Exhaust
4	ST28318-01	1	Plate-Eye, Lift
5	ST80171	4	Screw
6	5-1077	1	Key-Square
7	ST34833	1	Sheave
8	ST35331	1	Belt-V
9	127-2801	1	Belt Guard ASM
9:2	125-4933	1	Decal-Warning, Power Trowel
10	3234-47	2	Screw-HHF
11	104-8300	4	Nut-Flange, NI
12	125-4931	1	Decal
13	105-6971	1	Decal
14	93-9084	1	Decal-Point, Lift

● Obtain parts from [www.honda-engines.com](http://www.honda-engines.com)

**Notes:**

**Notes:**



**Count on it.**