



Split Full Front and Split Narrow Wiehle Roller Kit

DPA Cutting Reel for Greensmaster® Mower

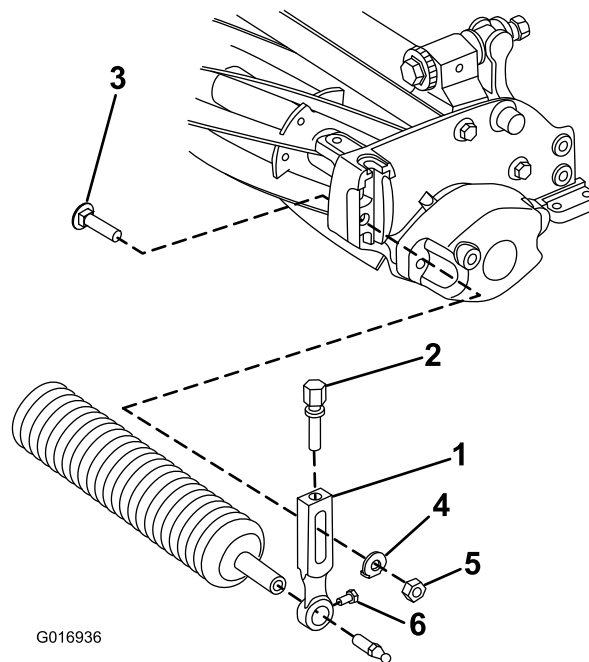
Model No. 04249

Model No. 04250

Installation Instructions

Installing the Roller

1. Loosen the roller-mounting screws in the height-of-cut arms.
2. Remove the plow bolt, washer, flange nut, adjusting screw, and the height-of-cut arm from one side of the cutting unit.
3. Slide the roller shaft into the height-of-cut arm on the opposite end of cutting unit.
4. Slide the height-of-cut arm onto the roller shaft and side plate.
5. Secure the height-of-cut arm and the adjusting screw to the cutting unit with the fasteners removed previously.
6. Center the roller between the height-of-cut arms.
7. Tighten the roller-mounting screws.
8. Adjust the height-of-cut to the desired position according to the instructions in the *Operator's Manual*.



G016936

Figure 1

- | | |
|----------------------|--------------------------|
| 1. Height-of-cut arm | 4. Washer |
| 2. Adjusting screw | 5. Flange nut |
| 3. Plow bolt | 6. Roller-mounting screw |

