



Count on it.

Parts Catalog

**Z Master[®] Professional 6000
Series Riding Mower**

**with 152cm TURBO FORCE[®] Rear Discharge
Mower**

Model No. 74942TE—Serial No. 314000001 and Up



Ordering Replacement Parts

To order replacement parts, please supply the part number, the quantity, and the description of each part desired.

Understanding Reference Numbers

Each identified part in an illustration has a reference number. The reference number for a part also appears in the parts list, along with other information about the part.

This catalog uses two special reference number formats, one to indicate parts in a service assembly and another to indicate the quantity of a given part in an illustration.

Service Assembly Reference Numbers

Parts in service assemblies have reference numbers in the form a:b. The a represents the reference number of the entire service assembly and the b represents a sequential number unique to each part within the service assembly.

For example, a wheel assembly might be identified by reference number 6, the tire by 6:1, the valve by 6:2, and the wheel by 6:3. When you order the assembly identified by reference number 6, you receive all parts identified by reference numbers 6:1, 6:2, and 6:3. However, you may also order any part individually. Reference numbers of this type appear in illustration and in parts lists.

Reference Numbers Indicating Quantity

In an illustration, if a reference number indicates more than one part, the reference number has the form nX y. The n represents the quantity of the part, the X is the multiplication symbol, and the y represents the reference number.

For example, in an illustration, the reference number 2X 37 means that two of the parts identified by reference number 37 are indicated.

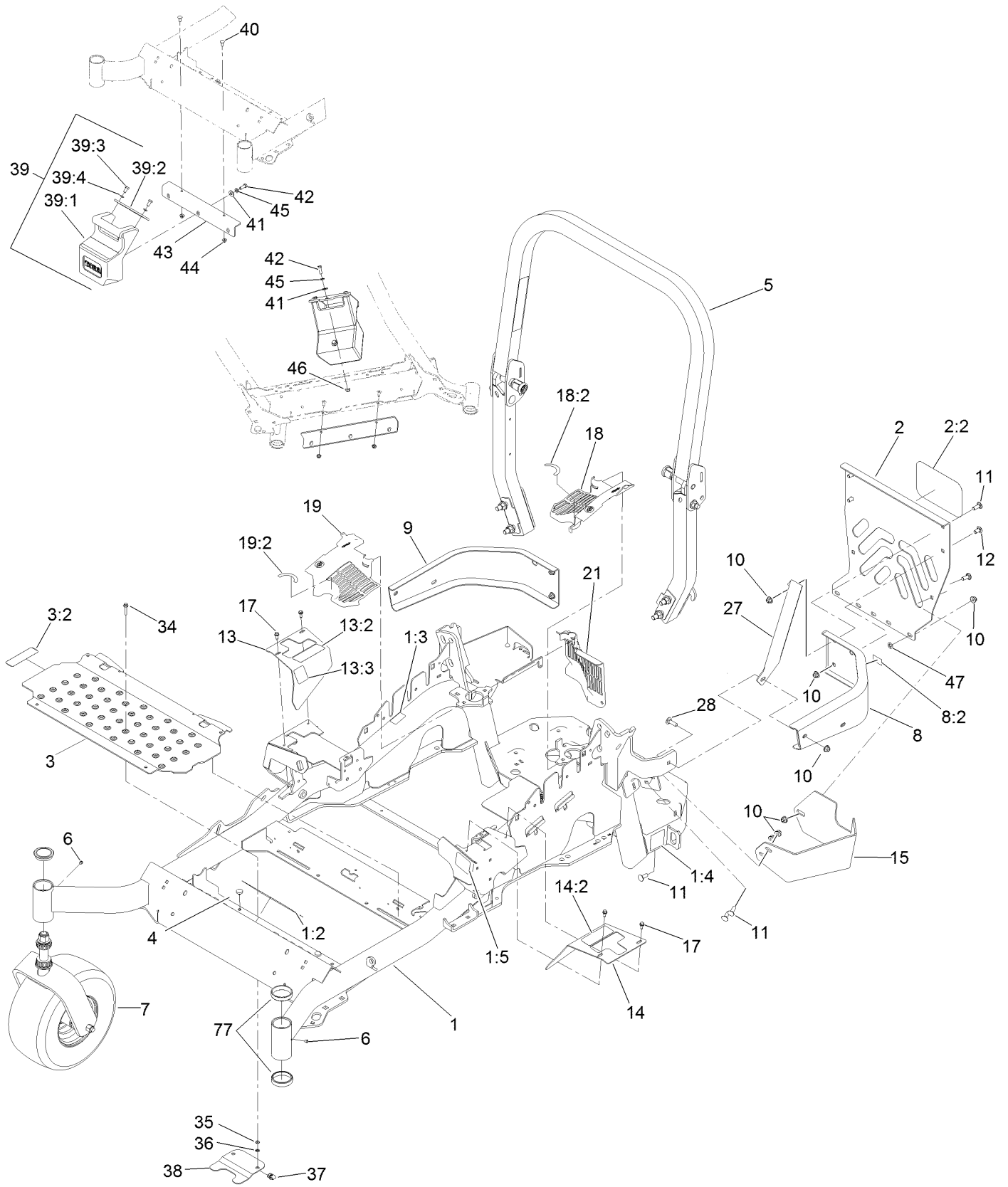
List of Abbreviations

| | | |
|--|--|--|
| AR: as required | HLH: hex lag head | PTO: power-take-off |
| ASM: assembly | HOC: height-of-cut | RH: right hand |
| BBC: blade brake control | HSBH: hex socket button head | ROPS: roll-over protection system |
| BHTF: button head thread forming | HSFH: hex socket flat head | RRB: rear roller brush |
| CARR: carriage | HSH: hex socket head | SFH: slotted fillister head |
| CCW: counter clockwise | HWH: hex washer head | SHH: slotted hex head |
| CW: clockwise | HWHTF: hex washer head thread forming | SHWH: slotted hex washer head |
| DEG: degrees | HYD: hydraulic | SPH: slotted pan head |
| DPA: Dual Point Adjustment | LH: left hand | SQH: square head |
| ECM: electronic control module | LP: Liquefied Petroleum Gas | SRH: slotted round head |
| EXT: external | LPG: Liquefied Petroleum Gas | STD: standard |
| FH: flat head | NI: nylon insert | TAP: self tapping |
| GA: gauge | NPTF: national pipe thread fine | TTH: torx truss head |
| HD: heavy-duty | PFH: phillips flat head | |
| HF: hex flange | PPH: phillips pan head | |
| HH: hex head | PPHTF: phillips pan head thread forming | |
| HHF: hex head flange | PRH: phillips round head | |
| HHFTF: hex head flange thread forming | PTH: phillips truss head | |
| HJ: hex jam | | |

Contents

| | |
|--|----|
| Frame and Caster Assembly | 4 |
| Roll-Over Protection System Assembly No. 116-0232..... | 6 |
| Caster Wheel and Fork Assembly | 8 |
| Hydraulic Pump, Idler and Belt Assembly..... | 10 |
| Pump Idler Assembly No. 116-1255 | 12 |
| LH Hydro Assembly No. 116-6415 | 14 |
| RH Hydro Assembly No. 116-6416 | 16 |
| Rear Wheel and Park Brake Assembly..... | 18 |
| Parking Brake Handle Assembly No. 116-7551 | 20 |
| Fuel Tank Mounting Assembly | 22 |
| Fuel Tank Assembly No. 116-3979 | 24 |
| Seat Mounting Assembly | 26 |
| Seat Assembly No. 125-3107 | 28 |
| Motion Control Assembly | 30 |
| Fender, Console and Control Assembly | 32 |
| LH Console Assembly No. 115-7401 | 34 |
| RH Console Assembly No. 115-7400 | 36 |
| Electrical Assembly | 38 |
| Deck Lift Assembly..... | 40 |
| Height-of-Cut Assembly No. 117-3842..... | 42 |
| Engine, Muffler and Clutch Assembly | 44 |
| Deck Assembly | 46 |
| Deck Decal Assembly No. 125-9391 | 48 |
| Spindle Assembly No. 119-8560 | 50 |
| Spindle Assembly No. 125-9324..... | 52 |
| Idler Assembly No. 126-0853..... | 54 |
| Deck Idler Assembly No. 126-1720..... | 56 |
| Attachments and Accessories | 58 |

Frame and Caster Assembly

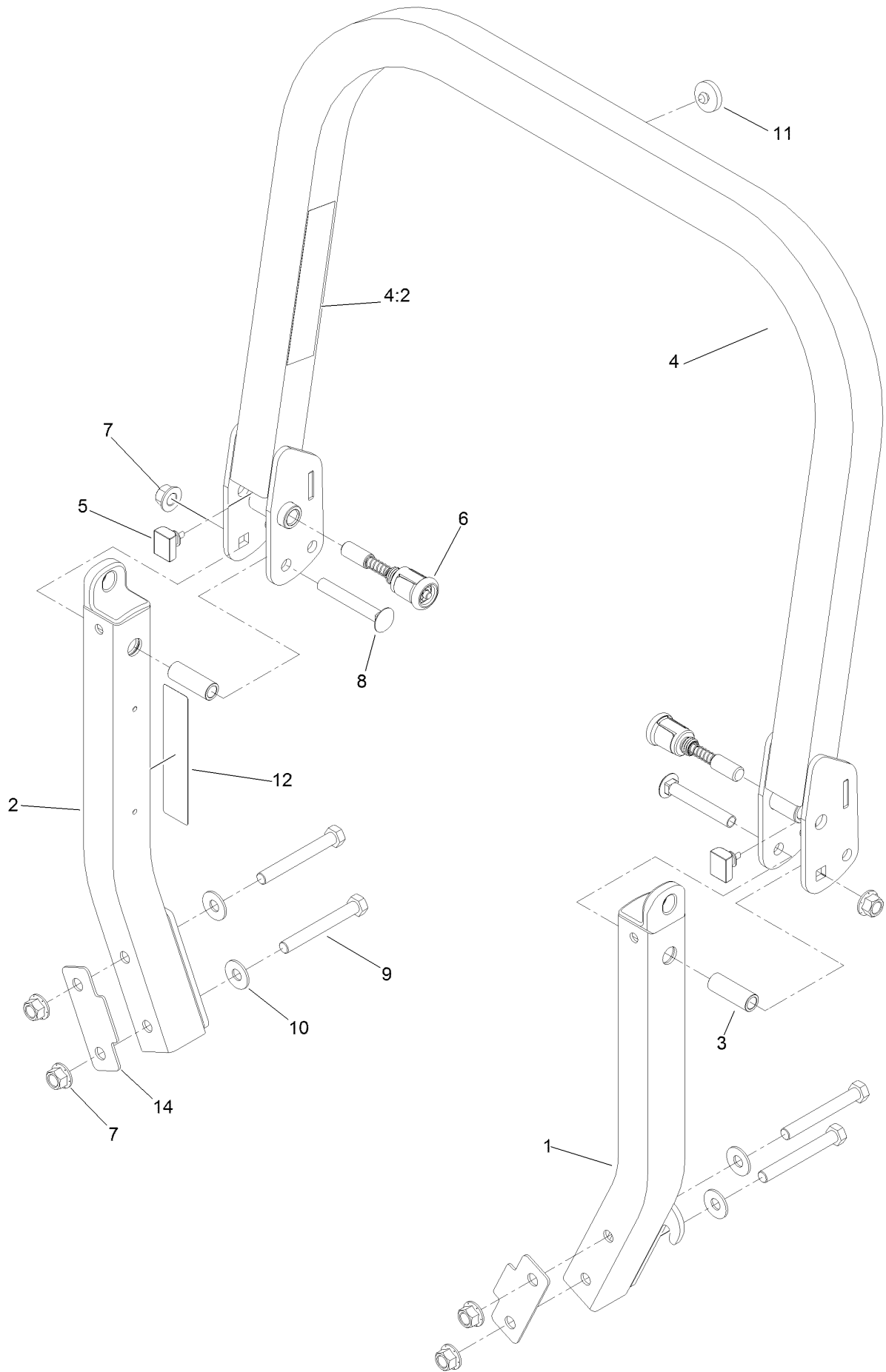


Frame and Caster Assembly (continued)

| <i>Ref.</i> | <i>Part Number</i> | <i>Qty.</i> | <i>Description</i> | <i>Ref.</i> | <i>Part Number</i> | <i>Qty.</i> | <i>Description</i> |
|-------------|--------------------|-------------|---------------------------------|-------------|--------------------|-------------|-----------------------|
| 1 | 127-6652 | 1 | Main Frame ASM | 17 | 32144-10 | 4 | Screw-HWH |
| 1:2 | 117-3888 | 1 | Decal-Danger Slope W/ROPS | 18 | 117-3838 | 1 | LH Hydro Guard ASM |
| 1:3 | 106-5517 | 2 | Decal-Warning, Hot Surface | 18:2 | 117-3811 | 1 | Decal-Hydro Oil |
| 1:4 | 106-2655 | 2 | Decal-Hazard, Pinched Finger | 19 | 117-3839 | 1 | RH Hydro Guard ASM |
| 1:5 | 117-3864 | 1 | Decal-Fuel Fill, Ce | 19:2 | 117-3811 | 1 | Decal-Hydro Oil |
| 2 | 115-7410 | 1 | Rear Guard ASM | 21 | 109-9058 | 1 | Guard-Hydro, Rear RH |
| 2:2 | 67-7320 | 1 | Decal | 27 | 117-0903-03 | 1 | Strap |
| 3 | 117-0915 | 1 | Floorpan ASM | 28 | 3231-25 | 1 | Bolt-CARR |
| 3:2 | 112-9028 | 1 | Decal-Cover Missing | 34 | 3234-21 | 2 | Screw-HHF |
| 4 | 1-513658 | 2 | Bumper | 35 | 3256-60 | 2 | Washer-Flat |
| 5 | 116-0232 | 1 | ROPS ASM | 36 | 106-8737 | 2 | Nut-Retainer |
| 6 | 1-811010 | 2 | Plug | 37 | 107069 | 2 | Clip |
| 7 | | 2 | Caster Wheel ASM ● | 38 | 119-0395-03 | 1 | Adapter-Captive |
| 8 | 117-3829 | 1 | LH Rear Bumper ASM | 39 | | 1 | Weight ASM ● |
| 8:2 | 106-5517 | 1 | Decal-Warning, Hot Surface | 39:1 | 120-7881 | 1 | Weight-43 Lb |
| 9 | 116-0057-03 | 1 | Bumper-RH | 39:2 | 115-3616-01 | 1 | Tab-Support, Weight |
| 10 | 104-8301 | 11 | Nut-Flange, NI | 39:3 | 323-4 | 2 | Screw-HH |
| 11 | 3231-22 | 7 | Screw-CARR | 39:4 | 3253-5 | 2 | Washer-Lock |
| 12 | 3231-21 | 3 | Screw-CARR | 40 | 3230-23 | 2 | Screw-CARR |
| 13 | 116-5898 | 1 | RH Motion Control Cover ASM | 41 | 3256-4 | 2 | Washer-Flat |
| 13:2 | 99-8936 | 1 | Decal-Control, Motion | 42 | 323-6 | 2 | Screw-HH |
| 13:3 | 116-5988 | 1 | Decal-Park Brake, Ce | 43 | 115-3615-01 | 1 | Bracket-Mount, Weight |
| 14 | 117-3831 | 1 | LH Motion Control Cover ASM | 44 | 104-8300 | 2 | Nut-Flange, NI |
| 14:2 | 99-8936 | 1 | Decal-Control, Motion | 45 | 3253-5 | 2 | Washer-Lock |
| 15 | 117-0908-03 | 1 | Guard-Muffler | 46 | 104-8301 | 1 | Nut-Flange, NI |
| | | | | 47 | 107-3154 | 2 | Nut-Push |
| | | | | 77 | 1-543508 | 4 | Cup-Bearing |

● Not serviced separately

Roll-Over Protection System Assembly No. 116-0232

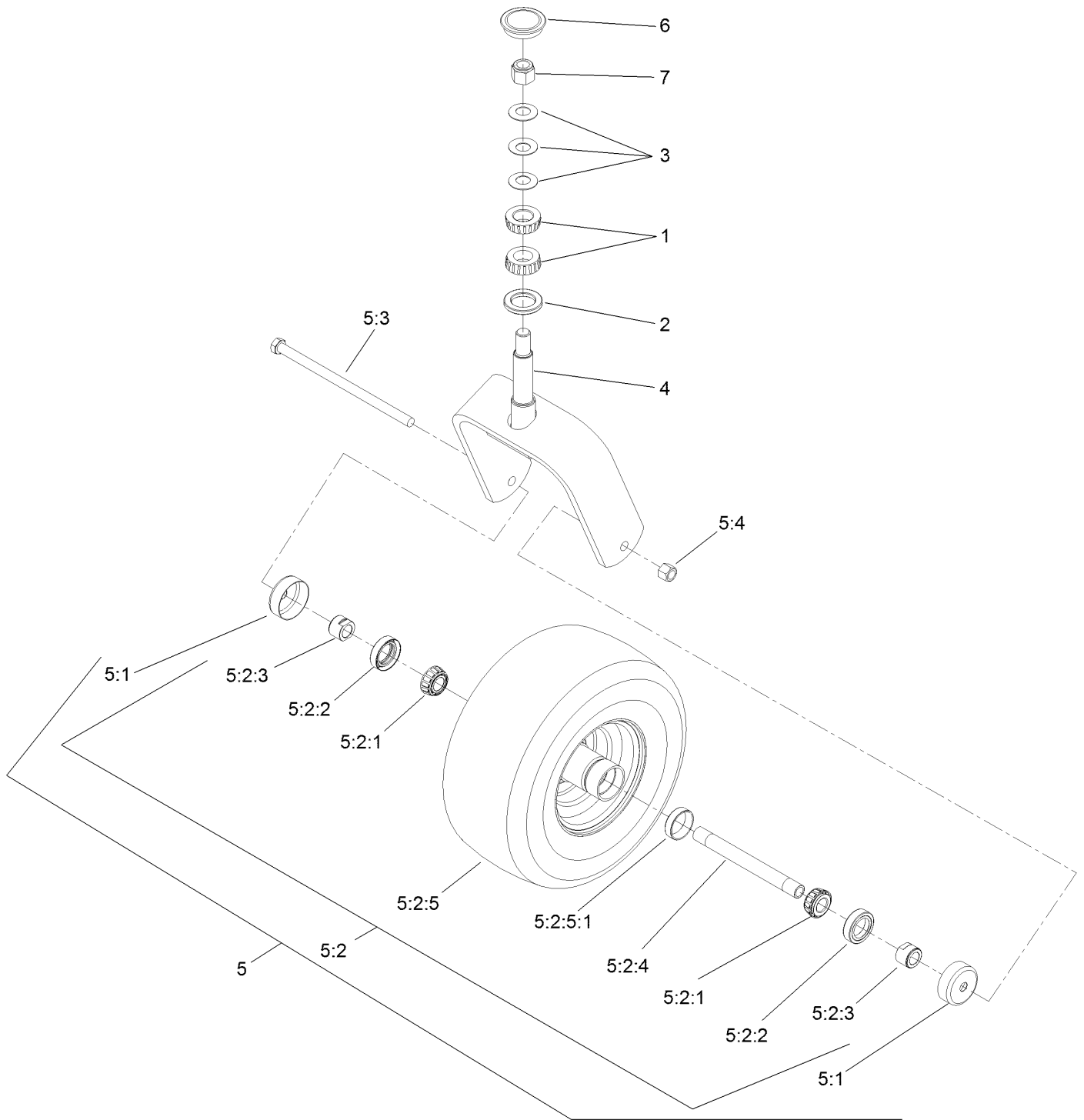


Roll-Over Protection System Assembly No. 116-0232 (continued)

| <i>Ref.</i> | <i>Part Number</i> | <i>Qty.</i> | <i>Description</i> | <i>Ref.</i> | <i>Part Number</i> | <i>Qty.</i> | <i>Description</i> |
|-------------|--------------------|-------------|--------------------------------|-------------|--------------------|-------------|--------------------------|
| 1 | | 1 | Leg-ROPS, LH ● | 7 | 99-5107 | 6 | Nut-Lock |
| 2 | | 1 | Leg-ROPS, RH ● | 8 | 3233-10 | 2 | Screw-CARR |
| 3 | 109-6653 | 2 | Spacer | 9 | 325-17 | 4 | Screw-HH |
| 4 | | 1 | Upper ROPS ASM ● | 10 | 109-9505 | 4 | Washer-Spring |
| 4:2 | 107-3069 | 1 | Decal-Warning, Folding ROPS | 11 | 109-9233 | 1 | Bumper-Push-In, Rubber |
| 5 | 109-5337 | 2 | Bumper-ROPS | 12 | 117-0346 | 1 | Decal-Caution, Fuel Vent |
| 6 | 116-0104 | 2 | Pin-Spring | 14 | 116-0960 | 2 | Spacer |

● Not serviced separately

Caster Wheel and Fork Assembly



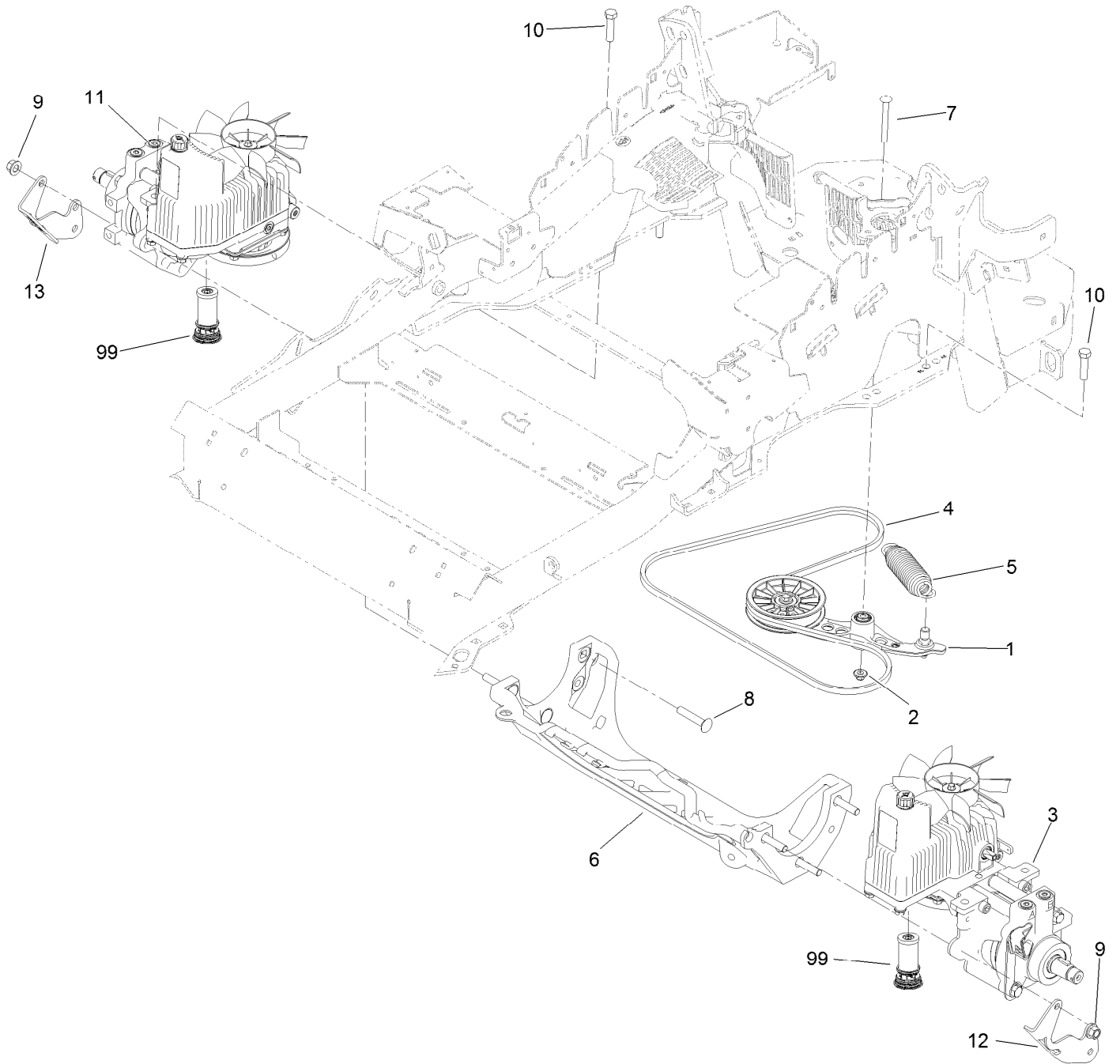
Caster Wheel and Fork Assembly (continued)

| <i>Ref.</i> | <i>Part Number</i> | <i>Qty.</i> | <i>Description</i> | <i>Ref.</i> | <i>Part Number</i> | <i>Qty.</i> | <i>Description</i> |
|-------------|--------------------|-------------|-------------------------|-------------|--------------------|-------------|----------------------|
| 1 | 1-543509 | 2 | Bearing-Roller, Tapered | 5:2:3 | 103-3051 | 2 | Spacer-Nut ■ |
| 2 | 116-5647 | 1 | Seal-Grease | 5:2:4 | 103-5156 | 1 | Axle-Caster |
| 3 | 1-633508 | 3 | Washer-Bellville | 5:2:5 | | 1 | Wheel And Tire ASM ● |
| 4 | 116-6707-01 | 1 | Caster | 5:2:5:1 | 1-633584 | 1 | Bearing-Cup |
| 5 | 109-9127 | 1 | Wheel And Tire ASM | 5:3 | 325-39 | 1 | Screw-HH |
| 5:1 | 103-2768 | 2 | Guard-Seal | 5:4 | 3296-23 | 1 | Nut-Lock, NI |
| 5:2 | | 1 | Wheel And Tire ASM ● | 6 | 103-4882 | 1 | Cap-Grease |
| 5:2:1 | 1-633585 | 2 | Bearing-Cone, Taper | 7 | 3296-51 | 1 | Nut-Lock, NI |
| 5:2:2 | 103-0063 | 2 | Seal-Caster | | | | |

● Not serviced separately

■ Use Pro-Lock, Nut Type (P/N 1-840022, .5ml tube) on threads.

Hydraulic Pump, Idler and Belt Assembly



Hydraulic Pump, Idler and Belt Assembly (continued)

| <i>Ref.</i> | <i>Part Number</i> | <i>Qty.</i> | <i>Description</i> | <i>Ref.</i> | <i>Part Number</i> | <i>Qty.</i> | <i>Description</i> |
|-------------|--------------------|-------------|-----------------------------|-------------|--------------------|-------------|-----------------------------|
| 1 | 116-1255 | 1 | Pump Idler ASM | 11 | 116-6416 | 1 | RH Hydro ASM (16Cc W/Shock) |
| 2 | 109-6658 | 1 | Nut-Flange, NI | 12 | 125-9369-03 | 1 | Bracket-Discharge Mount, LH |
| 3 | 116-6415 | 1 | LH Hydro ASM (16Cc W/Shock) | 13 | 125-9370-03 | 1 | Bracket-Discharge Mount, RH |
| 4 | 109-3388 | 1 | Belt | 99 | 114-4713 | 1 | Hypr-Oil 500 (Quart) ● |
| 5 | 116-6317 | 1 | Spring-Extension | 99 | 114-4714 | 1 | Hypr-Oil 500 (Gallon) ● |
| 6 | 109-9375 | 1 | Cradle-Hydro | 99 | 114-4715 | 1 | Hypr-Oil 500-5 (5 Gallon) ● |
| 7 | 116-1502 | 1 | Bolt-Shoulder, Carriage | 99 | 117-0390 | 1 | Filter-Hydro |
| 8 | 126-0095 | 6 | Screw-CARR | | | | |
| 9 | 99-5107 | 6 | Nut-Lock | | | | |
| 10 | 325-8 | 4 | Screw-HH | | | | |

● Not illustrated

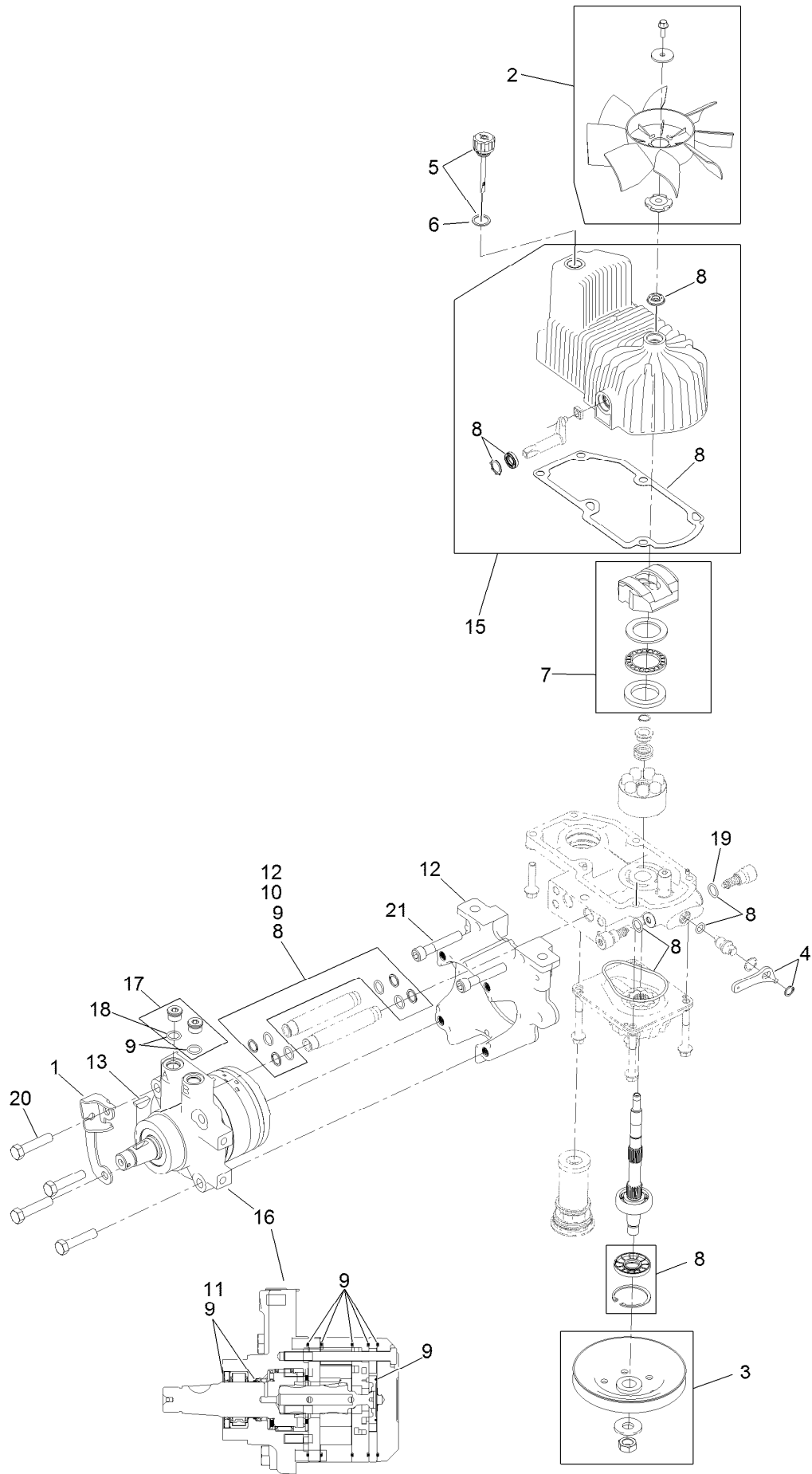
Pump Idler Assembly No. 116-1255



Pump Idler Assembly No. 116-1255 (continued)

| <i>Ref.</i> | <i>Part Number</i> | <i>Qty.</i> | <i>Description</i> | <i>Ref.</i> | <i>Part Number</i> | <i>Qty.</i> | <i>Description</i> |
|-------------|--------------------|-------------|--------------------|-------------|--------------------|-------------|--------------------|
| 2 | 43-0940 | 1 | Spacer | 8 | 323-8 | 1 | Screw-HH |
| 3 | 103-3504 | 2 | Bearing-Spherical | 9 | 32120-10 | 2 | Ring-Snap |
| 4 | 103-3505 | 1 | Seal-Double Lip | 10 | 302-19 | 1 | Fitting-Grease |
| 5 | 103-3506 | 1 | Seal-Single Lip | 11 | 109-8076 | 1 | Pulley-Idler |
| 6 | 109-6658 | 1 | Nut-Flange, NI | 12 | 116-3467 | 1 | Pin-Spring, Anchor |
| 7 | 106-7159 | 2 | O-Ring | | | | |

LH Hydro Assembly No. 116-6415

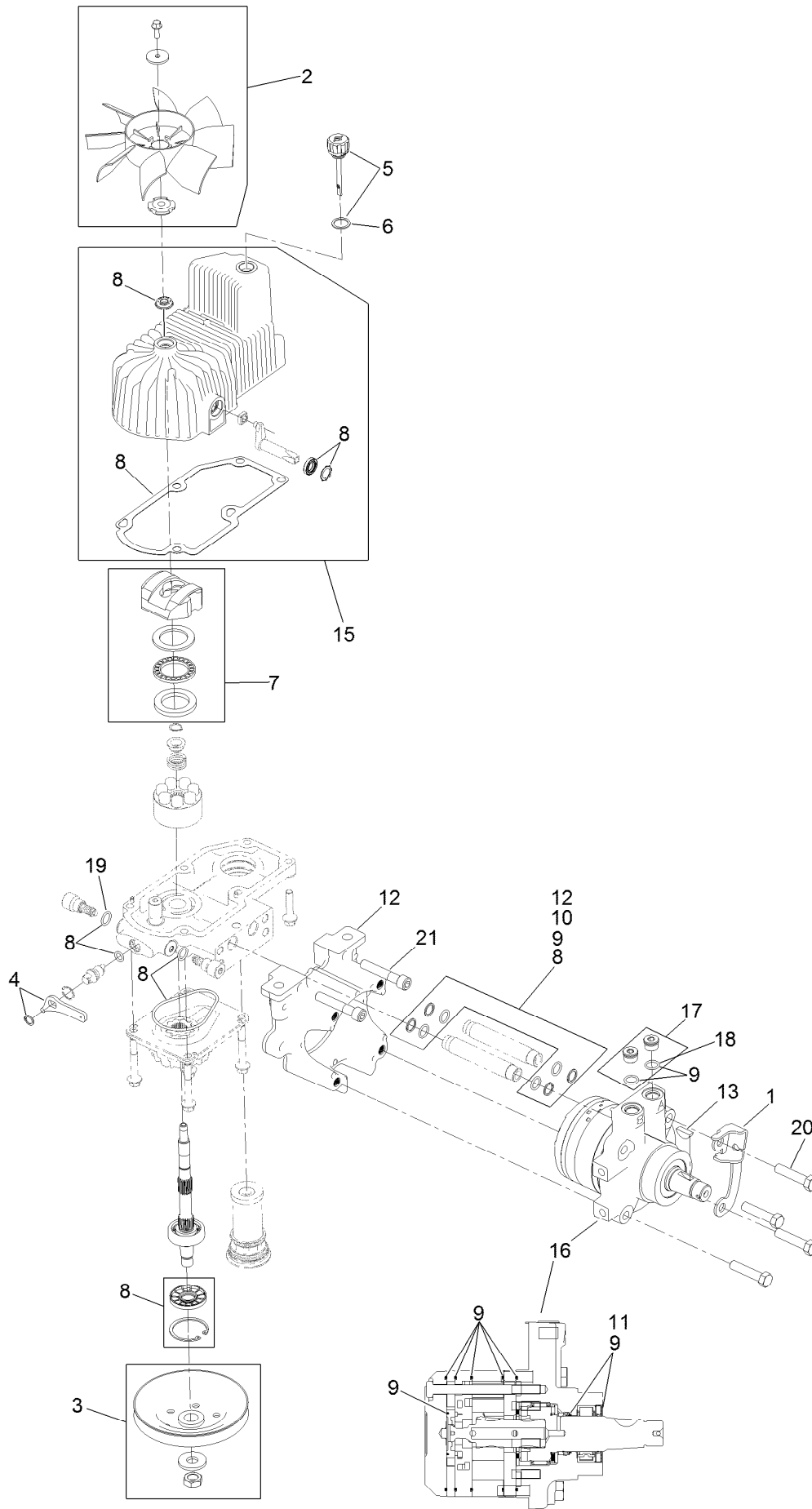


LH Hydro Assembly No. 116-6415 (continued)

| <i>Ref.</i> | <i>Part Number</i> | <i>Qty.</i> | <i>Description</i> | <i>Ref.</i> | <i>Part Number</i> | <i>Qty.</i> | <i>Description</i> |
|-------------|--------------------|-------------|-------------------------------|-------------|--------------------|-------------|----------------------------|
| 1 | 116-6859 | 1 | Bracket-Anchor, Cable | 11 | 116-1371 | 1 | Output Shaft Seal Kit |
| 2 | 116-0233 | 1 | Fan Kit | 12 | 116-5469 | 1 | Nose Cup-Uht |
| 3 | 116-0234 | 1 | Pulley Kit | 13 | 3257-42 | 1 | Key-Woodruff |
| 4 | 116-0235 | 1 | Handle-Bypass Valve, Hydro | 15 | 116-3287 | 1 | Housing-LH |
| 5 | 116-0236 | 1 | Dipstick-Hydro W/Gasket | 16 | 116-8917 | 1 | Motor-Hydraulic, LH 280Cc |
| 6 | 116-0237 | 1 | Gasket-Dipstick, Hydro | 17 | 116-7901 | 1 | Magnetic Plugs Service Kit |
| 7 | 116-1367 | 1 | Swash Block Kit | 18 | 76-1900 | 2 | O-Ring |
| 8 | 116-1368 | 1 | Pump Seal Kit | 19 | 116-8662 | 2 | O-Ring-Check Valve |
| 9 | 116-1369 | 1 | Motor Seal Kit | 20 | 116-8974 | 4 | Screw HH |
| 10 | 116-1370 | 1 | Tube Seal Kit | 21 | 116-8975 | 2 | Screw-HSH |
| | | | | 99 | 116-1373 | 1 | Flow Test Kit ● |

● Not illustrated

RH Hydro Assembly No. 116-6416

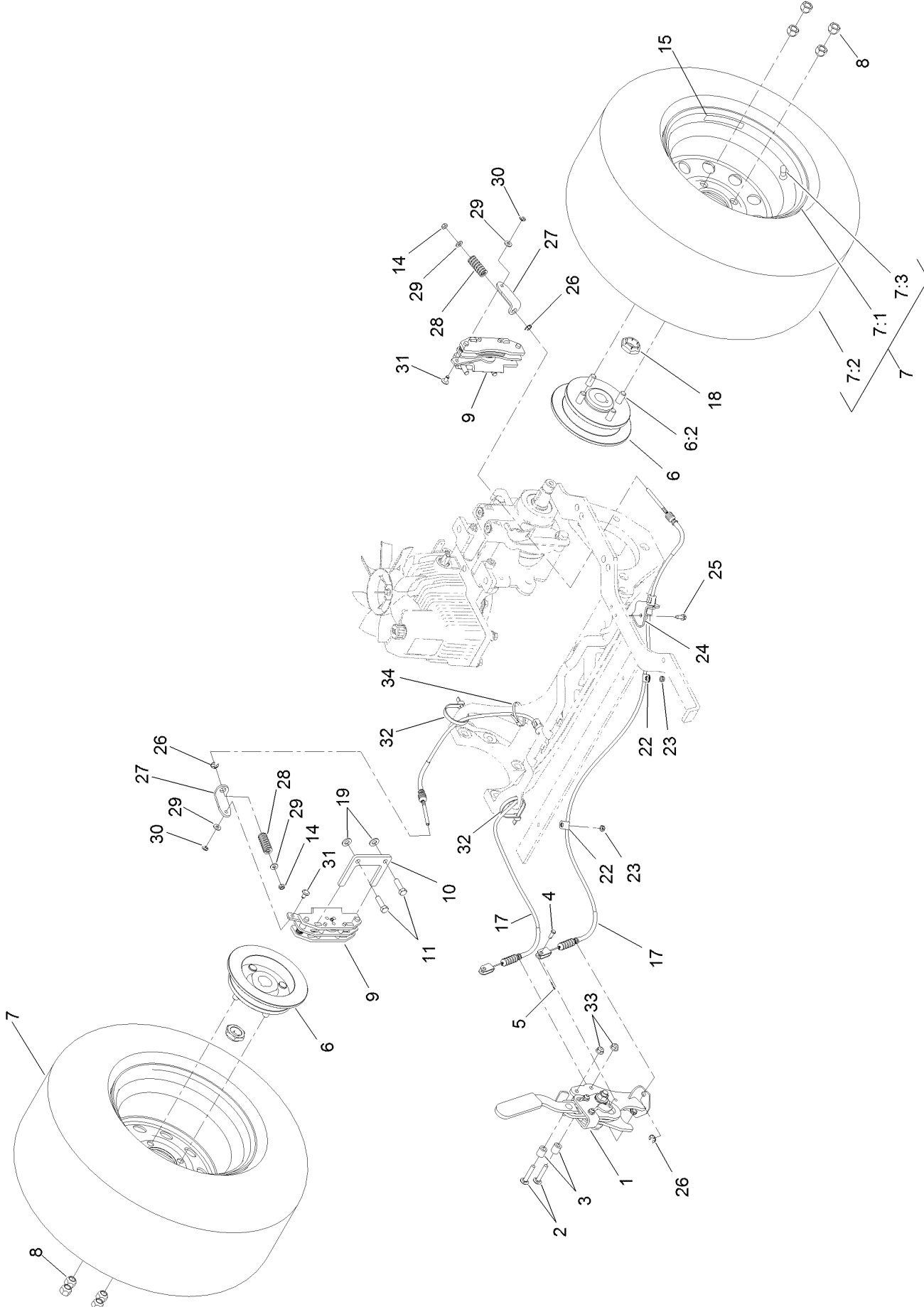


RH Hydro Assembly No. 116-6416 (continued)

| <i>Ref.</i> | <i>Part Number</i> | <i>Qty.</i> | <i>Description</i> | <i>Ref.</i> | <i>Part Number</i> | <i>Qty.</i> | <i>Description</i> |
|-------------|--------------------|-------------|-------------------------------|-------------|--------------------|-------------|----------------------------|
| 1 | 116-6859 | 1 | Bracket-Anchor, Cable | 11 | 116-1371 | 1 | Output Shaft Seal Kit |
| 2 | 116-0233 | 1 | Fan Kit | 12 | 116-5469 | 1 | Nose Cup-Uht |
| 3 | 116-0234 | 1 | Pulley Kit | 13 | 3257-42 | 1 | Key-Woodruff |
| 4 | 116-0235 | 1 | Handle-Bypass Valve, Hydro | 15 | 116-3288 | 1 | Housing-RH |
| 5 | 116-0236 | 1 | Dipstick-Hydro W/Gasket | 16 | 116-8918 | 1 | Motor-Hydraulic, RH 280Cc |
| 6 | 116-0237 | 1 | Gasket-Dipstick, Hydro | 17 | 116-7901 | 1 | Magnetic Plugs Service Kit |
| 7 | 116-1367 | 1 | Swash Block Kit | 18 | 76-1900 | 2 | O-Ring |
| 8 | 116-1368 | 1 | Pump Seal Kit | 19 | 116-8662 | 2 | O-Ring-Check Valve |
| 9 | 116-1369 | 1 | Motor Seal Kit | 20 | 116-8974 | 4 | Screw HH |
| 10 | 116-1370 | 1 | Tube Seal Kit | 21 | 116-8975 | 2 | Screw-HSH |
| | | | | 99 | 116-1373 | 1 | Flow Test Kit ● |

● Not illustrated

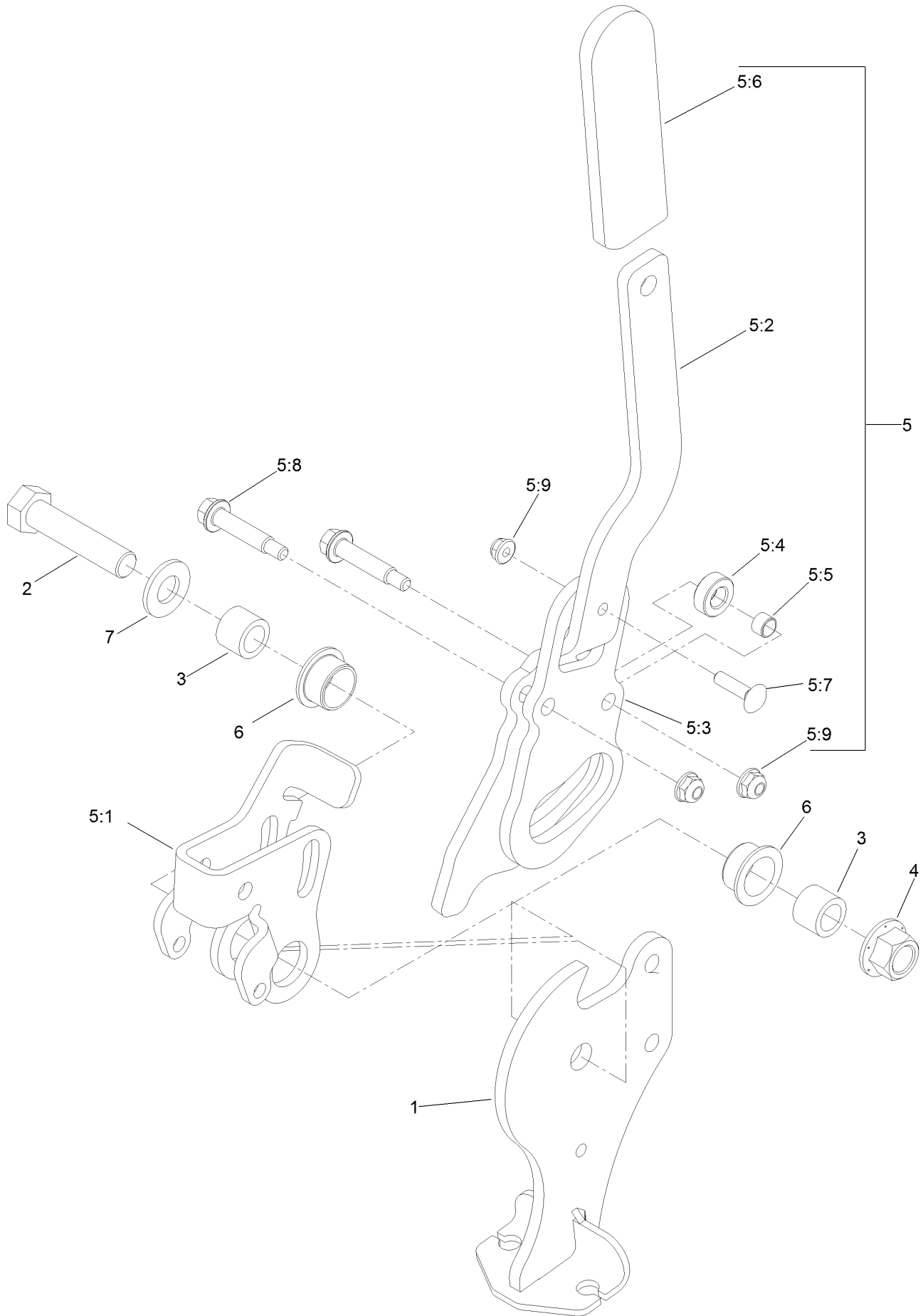
Rear Wheel and Park Brake Assembly



Rear Wheel and Park Brake Assembly (continued)

| <i>Ref.</i> | <i>Part Number</i> | <i>Qty.</i> | <i>Description</i> | <i>Ref.</i> | <i>Part Number</i> | <i>Qty.</i> | <i>Description</i> |
|-------------|--------------------|-------------|---------------------|-------------|--------------------|-------------|--------------------|
| 1 | 116-7551 | 1 | Brake Handle ASM | 17 | 116-8963 | 2 | Cable-Brake |
| 2 | 116-0629 | 2 | Screw-CARR | 18 | 116-1399 | 2 | Locknut |
| 3 | 82-6840 | 2 | Spacer | 19 | 3256-24 | 4 | Washer-Flat |
| 4 | 60-1730 | 2 | Pin-Clevis | 22 | 88-7970 | 2 | Clip |
| 5 | 3272-1 | 2 | Pin-Cotter | 23 | 3296-56 | 2 | Nut-Lock, NI |
| 6 | 116-1746 | 2 | Wheel Hub ASM | 24 | 116-6397 | 1 | Bracket-Cable |
| 6:2 | 116-1696 | 4 | Stud-Wheel | 25 | 32144-10 | 1 | Screw-HWH |
| 7 | 115-3588 | 2 | Wheel And Tire ASM | 26 | 32120-18 | 4 | E-Ring |
| 7:1 | 109-2871 | 1 | Rim | 27 | 116-6182 | 2 | Bracket-Brake, L |
| 7:2 | 1-633993 | 1 | Tire | 28 | 116-6347 | 2 | Spring-Die |
| 7:3 | 232-27 | 1 | Stem-Valve | 29 | 3256-22 | 4 | Washer-Flat |
| 8 | 242-50 | 8 | Nut-Lug | 30 | 32151-86 | 2 | E-Ring |
| 9 | 109-2889 | 2 | Caliper-Brake | 31 | 116-6348 | 2 | Pin-Brake |
| 10 | 109-0958 | 2 | Plate-Mount, Brake | 32 | 3334-945 | 2 | Tie-Cable |
| 11 | 92-5727 | 4 | Screw-Lock, Patch | 33 | 104-8300 | 2 | Nut-Flange, NI |
| 14 | 3296-13 | 2 | Nut-Lock, NI | 34 | 116-0940 | 1 | Tie-Cable |
| 15 | 117-3863 | 2 | Decal-Wheel Hub, Ce | | | | |

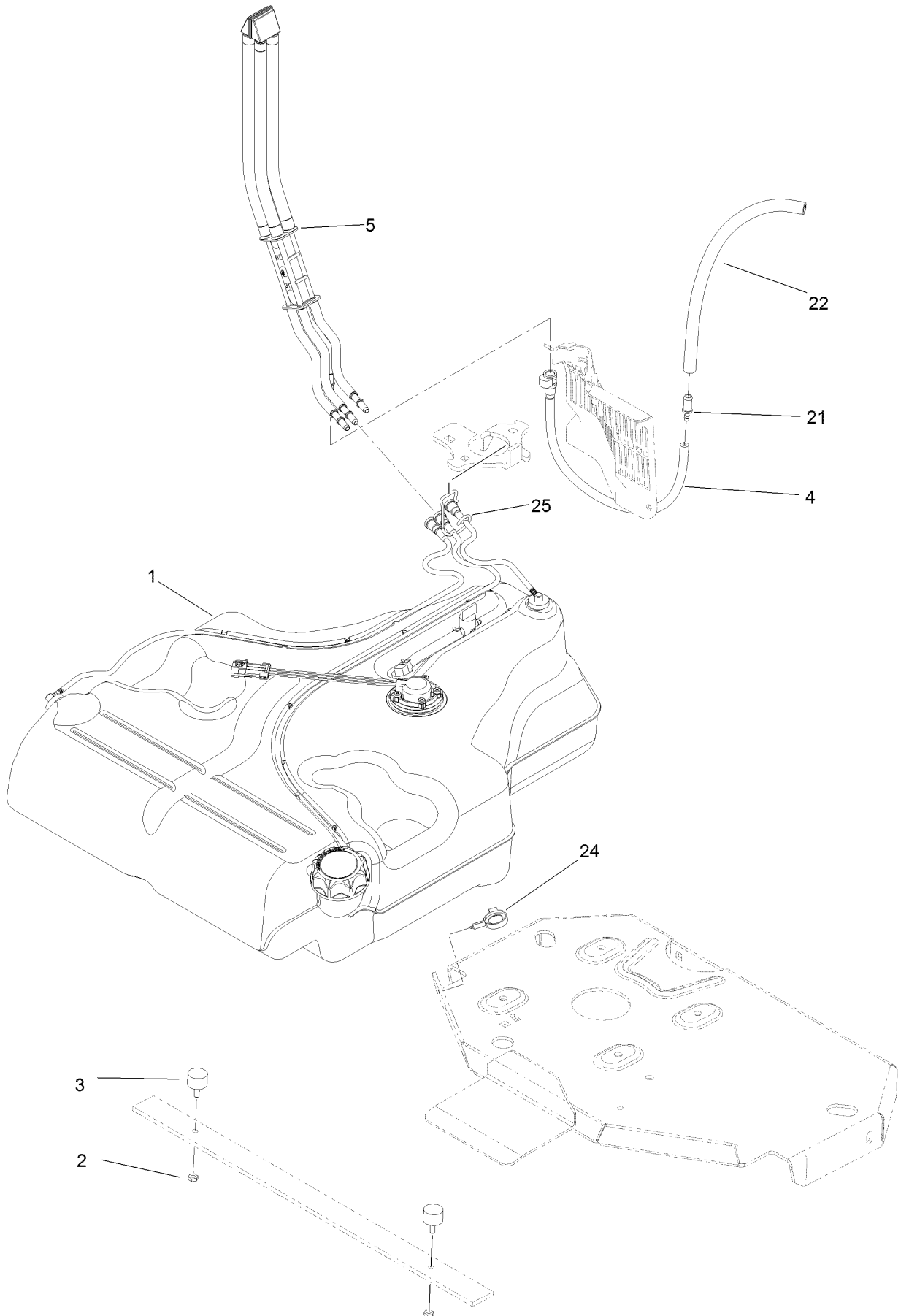
Parking Brake Handle Assembly No. 116-7551



Parking Brake Handle Assembly No. 116-7551 (continued)

| <i>Ref.</i> | <i>Part Number</i> | <i>Qty.</i> | <i>Description</i> | <i>Ref.</i> | <i>Part Number</i> | <i>Qty.</i> | <i>Description</i> |
|-------------|--------------------|-------------|--------------------|-------------|--------------------|-------------|--------------------|
| 1 | 116-7263 | 1 | Pivot-Brake | 5:4 | 116-6846 | 1 | Roller-Brake |
| 2 | 325-9 | 1 | Screw-HH | 5:5 | 116-6852 | 1 | Bearing-Sleeve |
| 3 | 116-5384 | 2 | Spacer | 5:6 | 1-633268 | 1 | Grip-Lever |
| 4 | 99-5107 | 1 | Nut-Lock | 5:7 | 3229-2 | 1 | Screw-CARR |
| 5 | 116-6860 | 1 | Handle ASM | 5:8 | 116-6876 | 2 | Screw-Shoulder |
| 5:1 | 116-6856 | 1 | Bellcrank-Brake | 5:9 | 104-7201 | 3 | Nut-HF |
| 5:2 | 116-6857 | 1 | Handle-Brake | 6 | 109-8054 | 2 | Bushing-Flange |
| 5:3 | 116-6858 | 1 | Plate-Handle | 7 | 3256-26 | 1 | Washer-Flat |

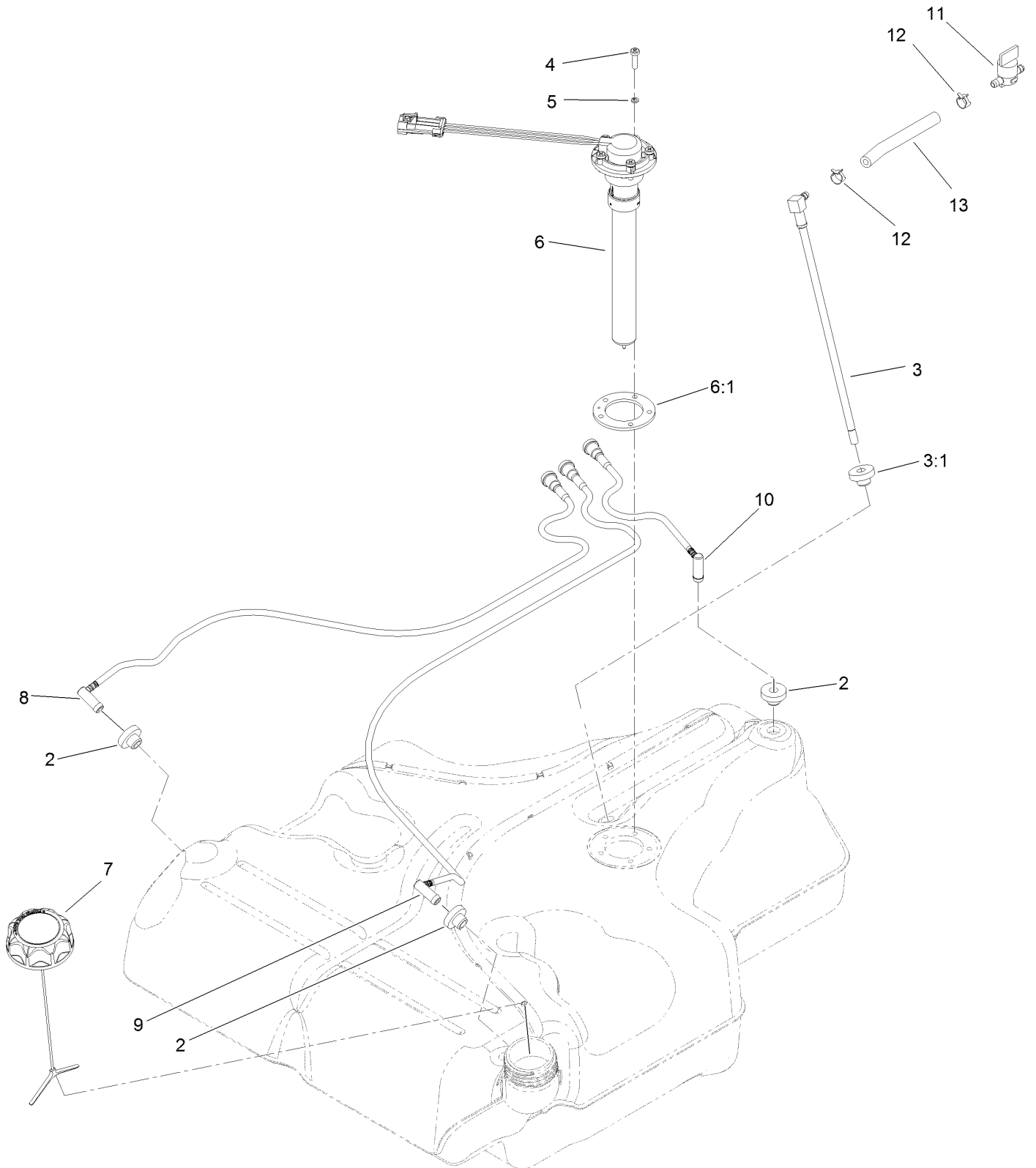
Fuel Tank Mounting Assembly



Fuel Tank Mounting Assembly (continued)

| <i>Ref.</i> | <i>Part Number</i> | <i>Qty.</i> | <i>Description</i> | <i>Ref.</i> | <i>Part Number</i> | <i>Qty.</i> | <i>Description</i> |
|-------------|--------------------|-------------|-------------------------|-------------|--------------------|-------------|---------------------|
| 1 | 116-3979 | 1 | Fuel Tank ASM | 21 | 98-2952 | 1 | Fitting-Straight |
| 2 | 3218-1 | 2 | Nut-Jam | 22 | 116-5087 | 1 | Hose-Fuel |
| 3 | 116-6380 | 2 | Bumper-Rubber (W/ Stud) | 24 | 105-1853 | 1 | Clamp-Hose |
| 4 | 116-3977 | 1 | Hose ASM | 25 | 116-6005 | 1 | Retainer-Vapor Line |
| 5 | 109-9491 | 1 | Fuel Manifold Vent ASM | | | | |

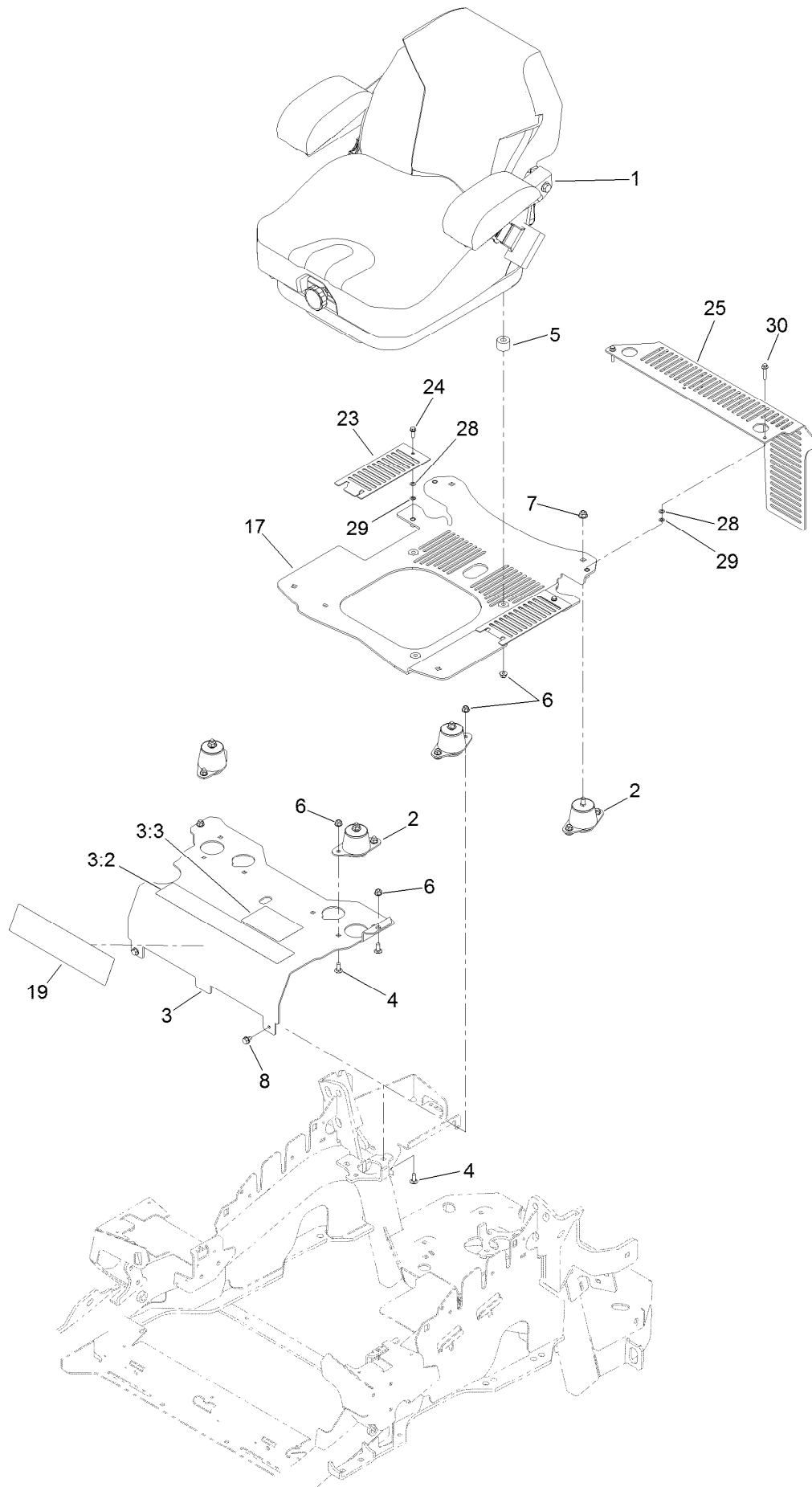
Fuel Tank Assembly No. 116-3979



Fuel Tank Assembly No. 116-3979 (continued)

| <i>Ref.</i> | <i>Part Number</i> | <i>Qty.</i> | <i>Description</i> | <i>Ref.</i> | <i>Part Number</i> | <i>Qty.</i> | <i>Description</i> |
|-------------|--------------------|-------------|------------------------------|-------------|--------------------|-------------|-----------------------------------|
| 2 | 46-6560 | 4 | Bushing | 8 | 116-2460 | 1 | RH Vent Line Kit (With Grommet) |
| 3 | 116-2459 | 1 | Fuel Line Kit (With Grommet) | 9 | 116-2461 | 1 | LH Vent Line Kit (With Grommet) |
| 3:1 | 46-6560 | 1 | Bushing | 10 | 116-2462 | 1 | Rear Vent Line Kit (With Grommet) |
| 4 | 9107944 | 5 | Screw-Pan | 11 | 1-603770 | 1 | Valve-Fuel |
| 5 | 3253-17 | 5 | Washer-Lock | 12 | 2412-98 | 2 | Clamp-Hose |
| 6 | 116-0003 | 1 | Sender-Fuel Level | 13 | 109-0650 | 1 | Hose-Fuel |
| 6:1 | 109-9620 | 1 | Gasket-Sender, Fuel | | | | |
| 7 | 126-1789 | 1 | Cap-Fuel, Ratcheting | | | | |

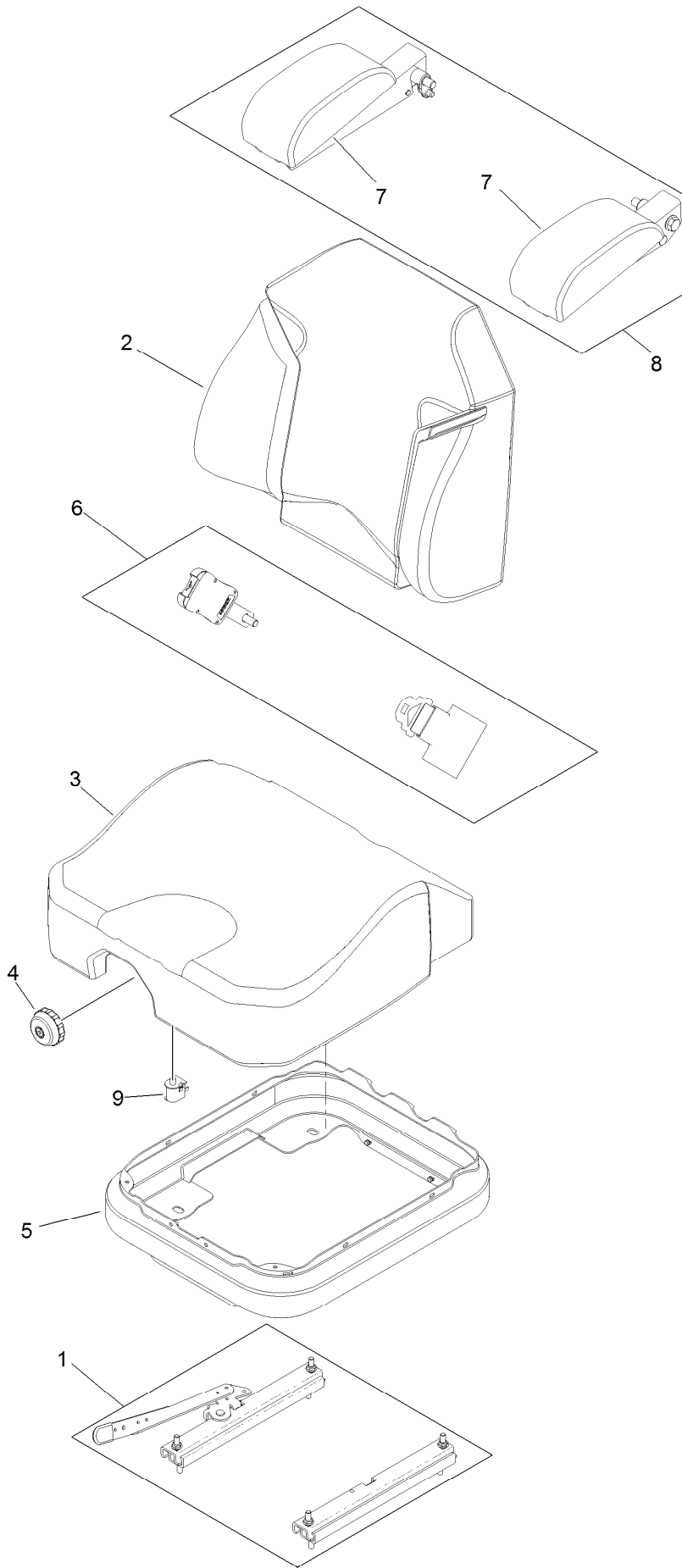
Seat Mounting Assembly



Seat Mounting Assembly (continued)

| <i>Ref.</i> | <i>Part Number</i> | <i>Qty.</i> | <i>Description</i> | <i>Ref.</i> | <i>Part Number</i> | <i>Qty.</i> | <i>Description</i> |
|-------------|--------------------|-------------|---------------------|-------------|--------------------|-------------|--------------------|
| 1 | 125-3107 | 1 | Suspension Seat ASM | 8 | 9266934 | 2 | Screw |
| 2 | 109-9034 | 4 | Isolator-Seat | 17 | 117-0910 | 1 | Seat Base ASM |
| 3 | 116-2324 | 1 | Mount-Seat | 19 | 120-5893 | 1 | Decal |
| 3:2 | 114-4468 | 1 | Decal-Console | 23 | 117-0901-03 | 2 | Cover |
| 3:3 | 125-9383 | 1 | Decal-Service Aid | 24 | 32105-15 | 2 | Screw-HWH |
| 4 | 3230-23 | 11 | Screw-CARR | 25 | 114-1548-03 | 1 | Guard |
| 5 | 116-9329 | 4 | Spacer | 28 | 3256-60 | 4 | Washer-Flat |
| 6 | 104-8300 | 18 | Nut-Flange, NI | 29 | 106-8737 | 4 | Nut-Retainer |
| 7 | 104-8301 | 4 | Nut-Flange, NI | 30 | 3234-21 | 2 | Screw-HHF |

Seat Assembly No. 125-3107



Seat Assembly No. 125-3107 (continued)

| <i>Ref.</i> | <i>Part Number</i> | <i>Qty.</i> | <i>Description</i> |
|-------------|--------------------|-------------|--------------------------|
| 1 | 116-8910 | 1 | Seat Track Set |
| 2 | 125-3112 | 1 | Cover-Back |
| 3 | 125-3111 | 1 | Cover-Cushion |
| 4 | 116-8911 | 1 | Knob-Adjuster |
| 5 | 116-5659 | 1 | Cover-Suspension Bellows |

| <i>Ref.</i> | <i>Part Number</i> | <i>Qty.</i> | <i>Description</i> |
|-------------|--------------------|-------------|--------------------|
| 6 | 109-9805 | 1 | Seat Belt Kit |
| 7 | 109-9802 | 1 | Arm Rest Pad Set |
| 8 | 109-9803 | 1 | Arm Rest Set |
| 9 | 82-2190 | 1 | Switch-Bail |

Motion Control Assembly

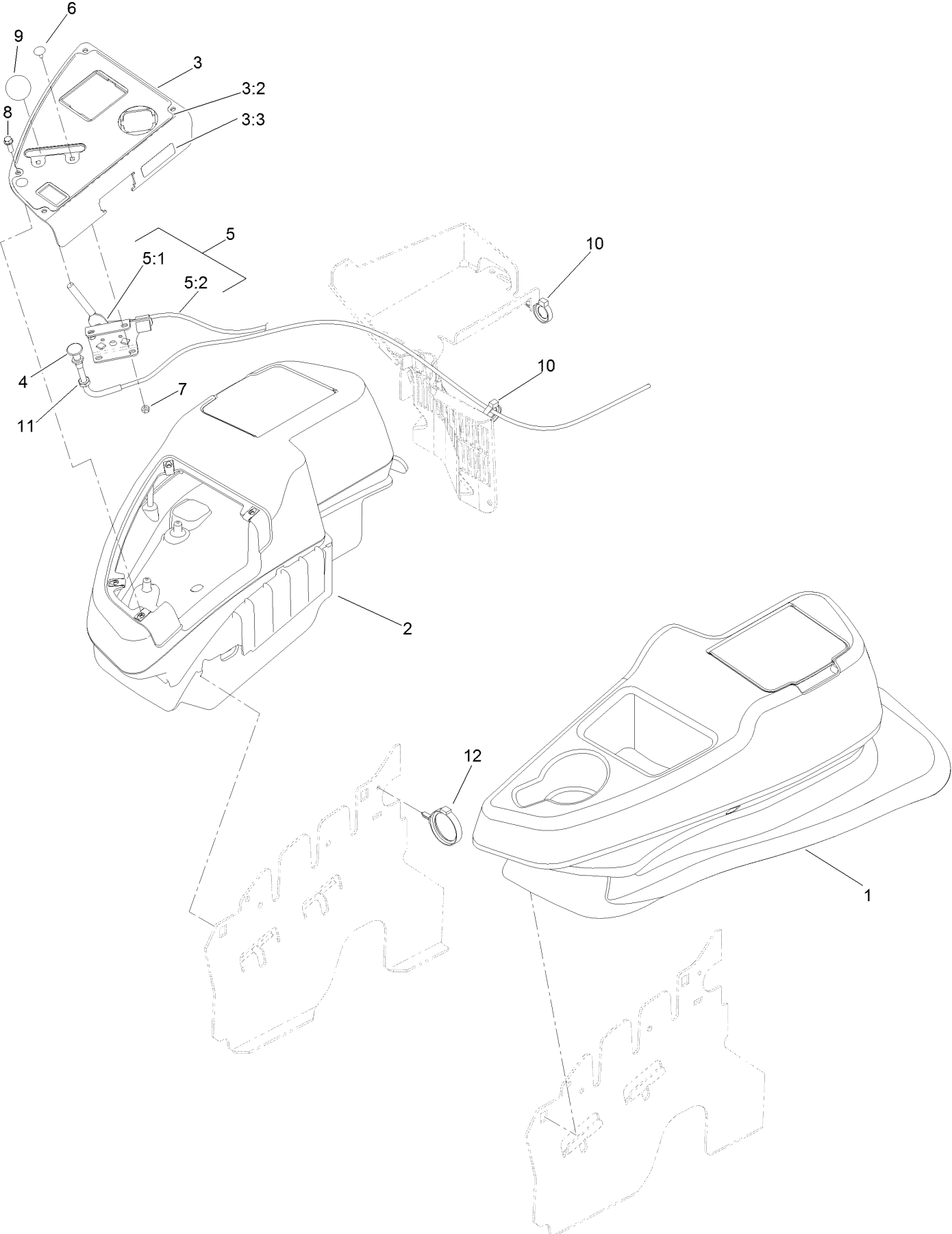


Motion Control Assembly (continued)

| <i>Ref.</i> | <i>Part Number</i> | <i>Qty.</i> | <i>Description</i> | <i>Ref.</i> | <i>Part Number</i> | <i>Qty.</i> | <i>Description</i> |
|-------------|--------------------|-------------|-----------------------------------|-------------|--------------------|-------------|------------------------|
| 1 | 116-0880 | 1 | RH Motion Control And Bushing ASM | 14 | 109-6589 | 1 | RH Steering Handle ASM |
| 1:2 | 109-8054 | 4 | Bushing-Flange | 14:1 | 109-5668 | 1 | Grip-Control, Lever |
| 2 | 116-0881 | 1 | LH Motion Control And Bushing ASM | 15 | 109-6590 | 1 | LH Steering Handle ASM |
| 2:2 | 109-8054 | 4 | Bushing-Flange | 15:1 | 109-5668 | 1 | Grip-Control, Lever |
| 3 | 116-0648 | 2 | Screw-HH, Thread Locking ● | 16 | 104-8301 | 4 | Nut-Flange, NI |
| 4 | 109-4581 | 2 | Arm-Control, Pump | 17 | 323-7 | 4 | Screw-HH |
| 5 | 9080046 | 2 | Screw-HH ● | 18 | 109-5575 | 2 | Spring-Leaf |
| 6 | 1-303435 | 2 | Washer-Spring | 19 | 109-8106 | 2 | Front Pump Linkage ASM |
| 7 | 116-0027 | 2 | Damper-Control, Motion | 19:2 | 3219-2 | 2 | Nut-Hex |
| 8 | 104-8300 | 8 | Nut-Flange, NI | 19:3 | 1-323245 | 2 | Spring-Compression |
| 9 | 3230-2 | 2 | Bolt-CARR | 19:4 | 1-633152 | 1 | Balljoint-LH |
| 10 | 109-5891 | 2 | Hub-Threaded | 19:5 | 1-543017 | 1 | Balljoint-RH |
| 11 | 325-12 | 2 | Screw-HH | 20 | 109-9505 | 4 | Washer-Spring |
| 12 | 116-0039 | 1 | Lever-Control Motion, RH | 21 | 3256-6 | 2 | Washer-Flat |
| 13 | 116-0040 | 1 | Lever-Control Motion, LH | 22 | 32128-56 | 2 | Nut-HF |
| | | | | 23 | 3256-23 | 2 | Washer-Flat |
| | | | | 24 | 3218-5 | 2 | Nut-Jam |
| | | | | 25 | 115-1794 | 2 | Screw-HHF |

● Use Pro-Lock, Nut Type (P/N 1-840022, .5ml tube) on threads.

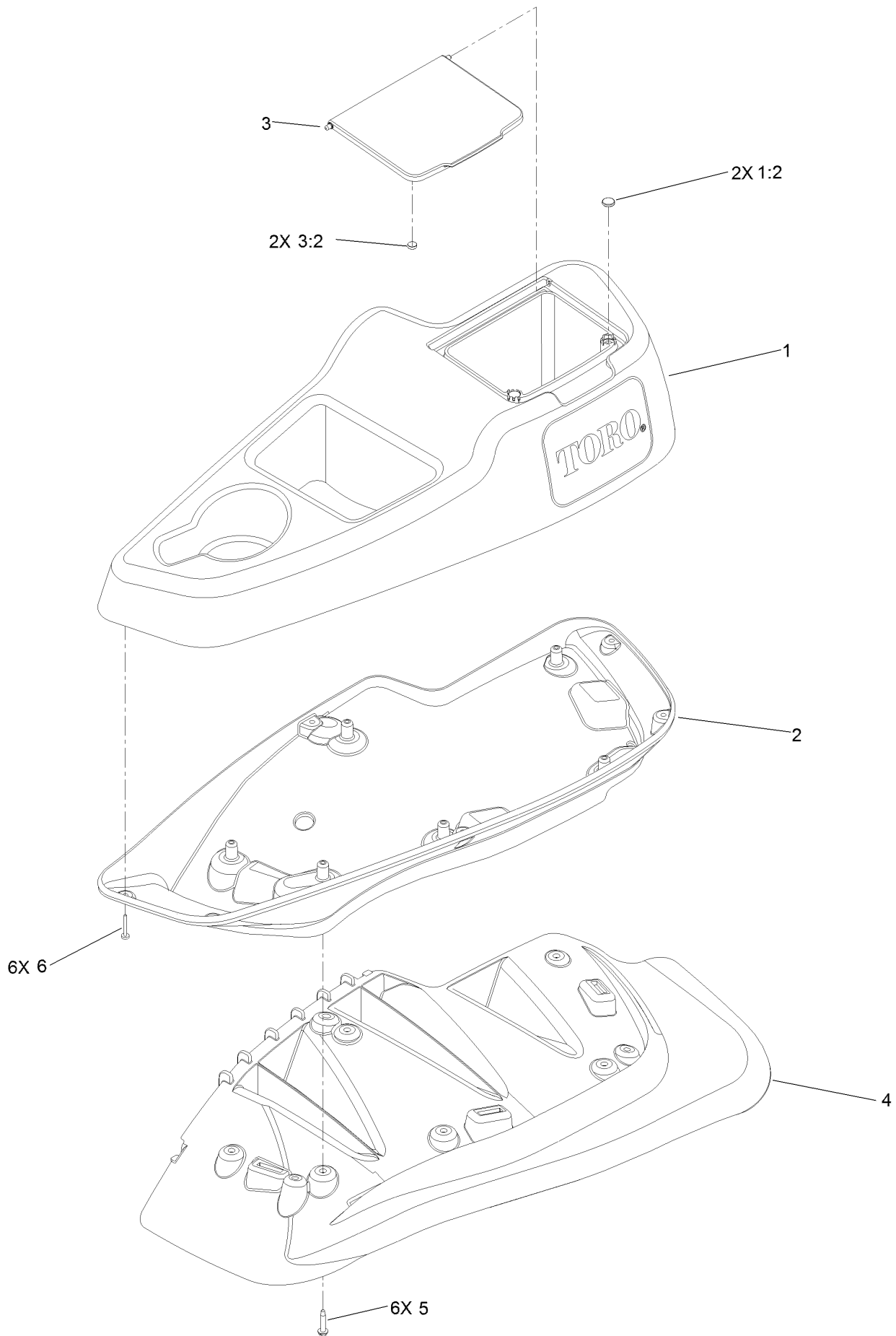
Fender, Console and Control Assembly



Fender, Console and Control Assembly (continued)

| <i>Ref.</i> | <i>Part Number</i> | <i>Qty.</i> | <i>Description</i> | <i>Ref.</i> | <i>Part Number</i> | <i>Qty.</i> | <i>Description</i> |
|-------------|--------------------|-------------|-------------------------------|-------------|--------------------|-------------|--------------------|
| 1 | 115-7401 | 1 | LH Wide Fender/Console ASM | 5:1 | 112-2334 | 1 | Lever-Throttle |
| 2 | 115-7400 | 1 | RH Wide Fender/Console ASM | 5:2 | 110-5728 | 1 | Cable-Throttle |
| 3 | 114-9836 | 1 | Control Panel ASM | 6 | 1-807513 | 2 | Bolt-CARR |
| 3:2 | 120-5897 | 1 | Decal-Control Panel | 7 | 3296-2 | 2 | Nut-Lock, NI |
| 3:3 | 114-4466 | 1 | Decal-Fuses | 8 | 32105-15 | 4 | Screw-HWH |
| 4 | 115-2753 | 1 | Control-Choke | 9 | 1-603175 | 1 | Knob-Ball |
| 5 | 110-5727 | 1 | Throttle Control ASM | 10 | 105-1853 | 1 | Clamp-Hose |
| | | | | 11 | 3220-3 | 1 | Nut-HJ |
| | | | | 12 | 117-7817 | 1 | Clamp-Harness |

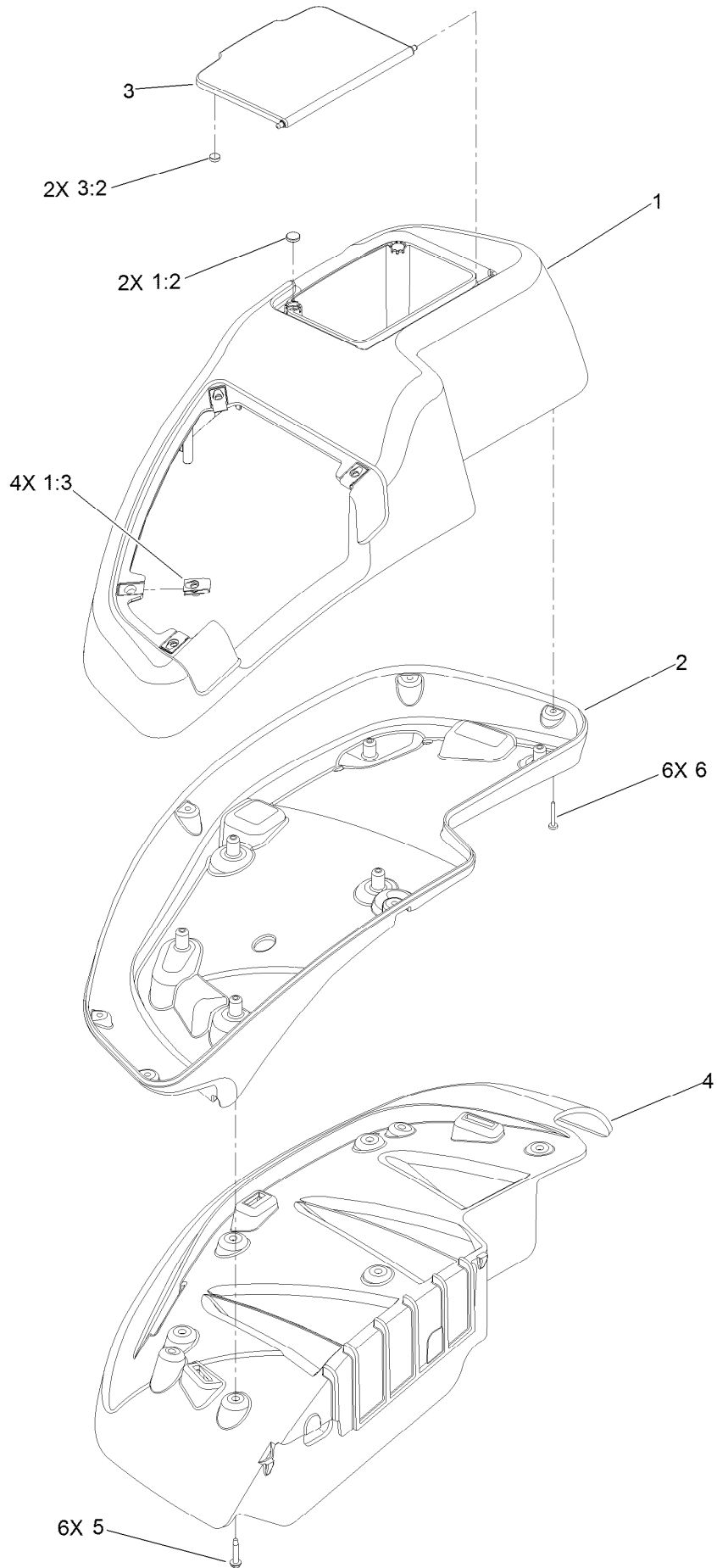
LH Console Assembly No. 115-7401



LH Console Assembly No. 115-7401 (continued)

| <i>Ref.</i> | <i>Part Number</i> | <i>Qty.</i> | <i>Description</i> | <i>Ref.</i> | <i>Part Number</i> | <i>Qty.</i> | <i>Description</i> |
|-------------|--------------------|-------------|-------------------------|-------------|--------------------|-------------|----------------------|
| 1 | 114-1539 | 1 | LH Wide Console Top ASM | 3:2 | 114-5896 | 2 | Magnet |
| 1:2 | 117-0883 | 2 | Puck | 4 | 109-9085 | 1 | Fender-Wide, LH |
| 2 | 115-3641 | 1 | Console-Lower, LH Wide | 5 | 32144-89 | 6 | Screw-Thread Forming |
| 3 | 114-1537 | 1 | Wide Lid ASM | 6 | 117-0347 | 6 | Screw-Fillister Head |

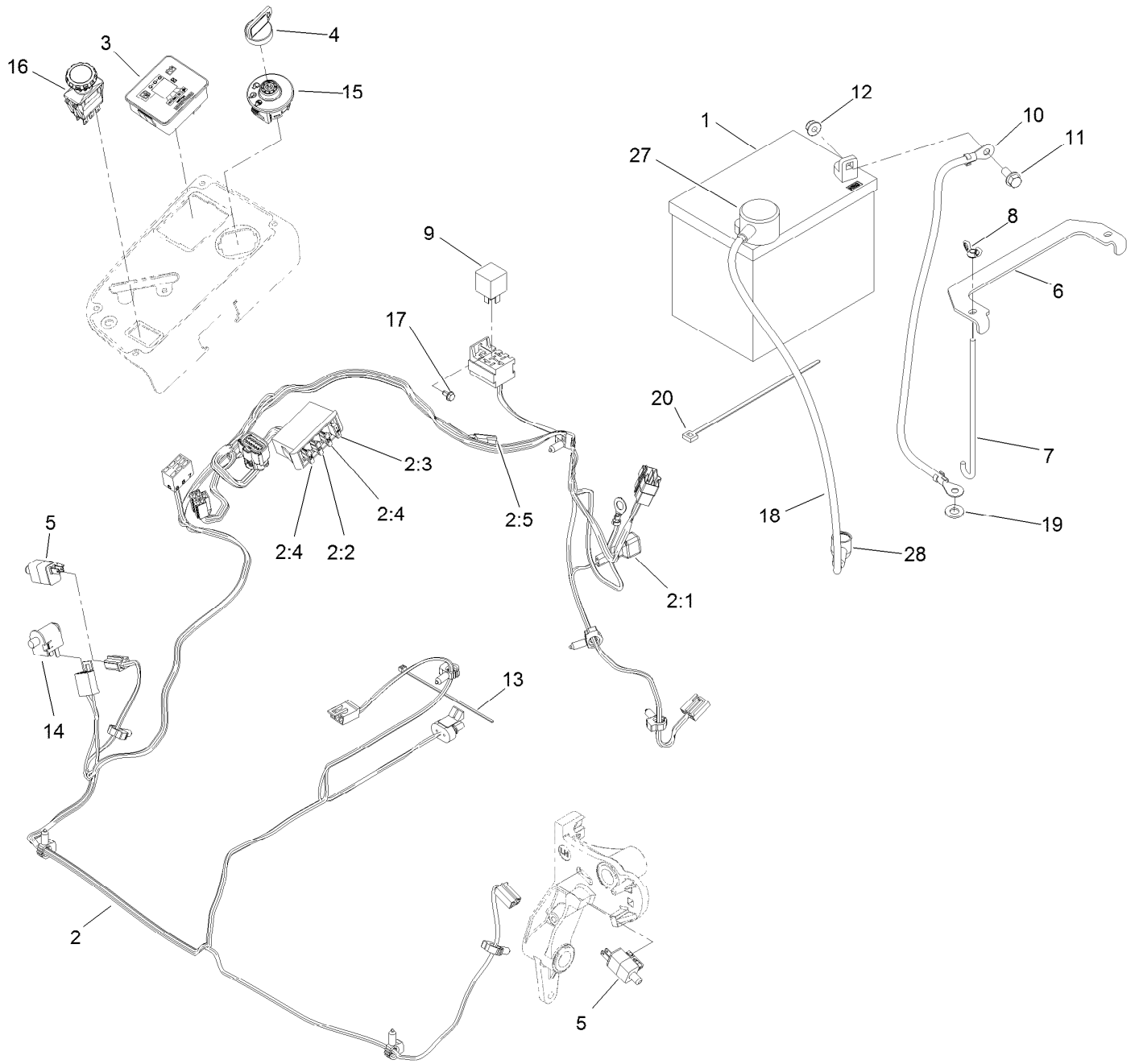
RH Console Assembly No. 115-7400



RH Console Assembly No. 115-7400 (continued)

| <i>Ref.</i> | <i>Part Number</i> | <i>Qty.</i> | <i>Description</i> | <i>Ref.</i> | <i>Part Number</i> | <i>Qty.</i> | <i>Description</i> |
|-------------|--------------------|-------------|-------------------------|-------------|--------------------|-------------|----------------------|
| 1 | 114-1538 | 1 | RH Wide Top Console ASM | 3:2 | 114-5896 | 2 | Magnet |
| 1:2 | 117-0883 | 2 | Puck | 4 | 109-9083 | 1 | Fender-Wide, RH |
| 1:3 | 107069 | 4 | Clip | 5 | 32144-89 | 6 | Screw-Thread Forming |
| 2 | 115-3643 | 1 | Console-Lower, RH Wide | 6 | 117-0347 | 6 | Screw-Fillister Head |
| 3 | 114-1537 | 1 | Wide Lid ASM | | | | |

Electrical Assembly



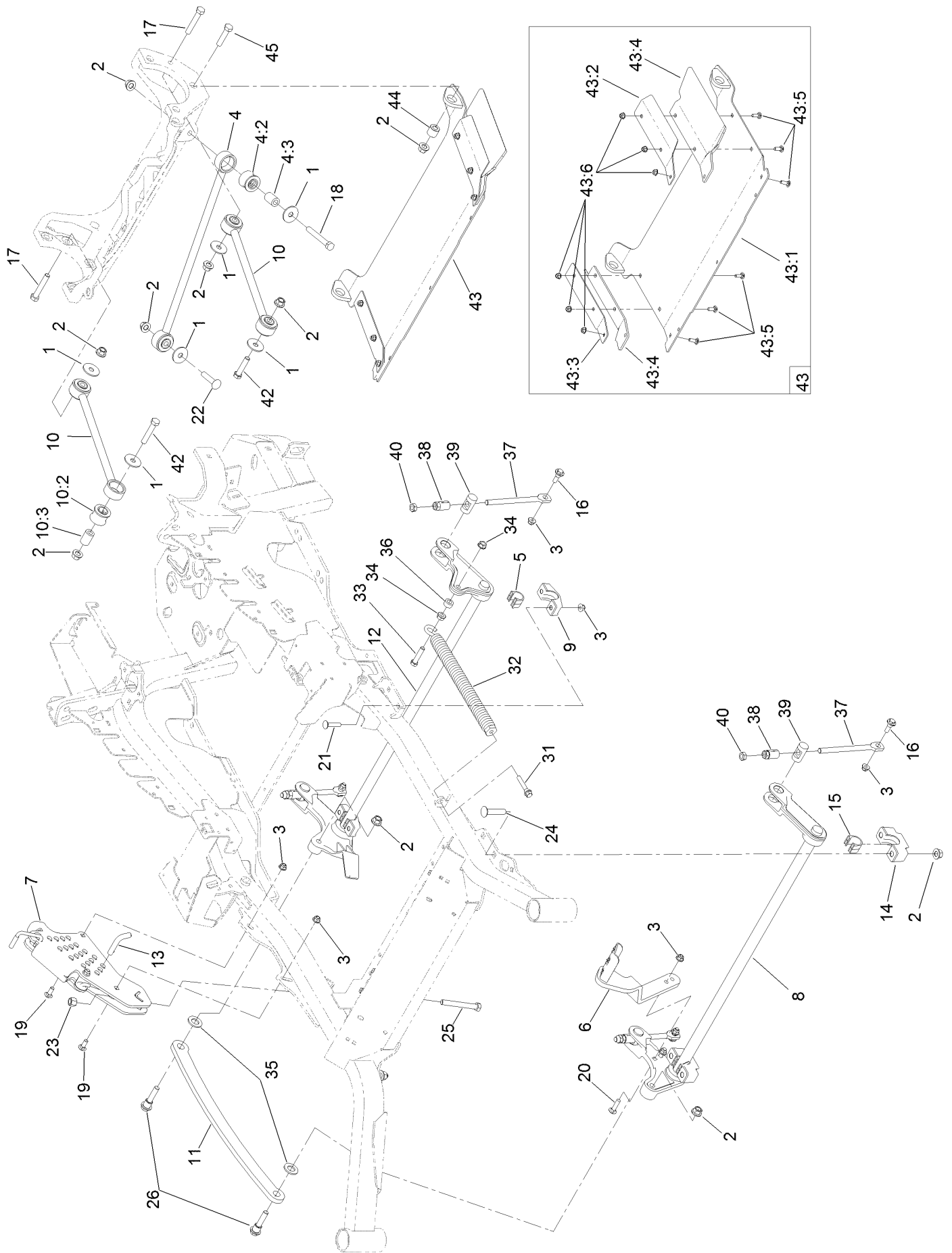
Electrical Assembly (continued)

| <i>Ref.</i> | <i>Part Number</i> | <i>Qty.</i> | <i>Description</i> | <i>Ref.</i> | <i>Part Number</i> | <i>Qty.</i> | <i>Description</i> |
|-------------|--------------------|-------------|-------------------------|-------------|--------------------|-------------|-------------------------|
| 1 | | 1 | Battery-Dry ● | 10 | 114-1218 | 1 | Cable-Battery, Negative |
| 2 | 116-6009 | 1 | Harness-Wire, Main ■ | 11 | 3234-5 | 2 | Screw-HHF |
| 2:1 | 103-3895 | 1 | Diode-Tvs | 12 | 104-8300 | 2 | Nut-Flange, NI |
| 2:2 | 218-578 | 1 | Fuse-Blade, 10 Amp | 13 | 1-303287 | 3 | Tie-Cable |
| 2:3 | 109355 | 1 | Fuse-Blade, 15 Amp | 14 | 82-2190 | 1 | Switch-Bail |
| 2:4 | 109102 | 2 | Fuse-Blade, 25 Amp | 15 | 117-2221 | 1 | Switch-Ignition |
| 2:5 | 116-0053 | 1 | Cap-Plug | 16 | 116-0124 | 1 | Switch-PTO, 10A |
| 3 | 117-3882 | 1 | Fuel/Hour Meter ASM | 17 | 104-2065 | 1 | Screw-HWH |
| 4 | 63-8360 | 1 | Key-Ignition (W/Shield) | 18 | 115-3864 | 1 | Cable-Battery, Positive |
| 5 | 110-6765 | 2 | Switch-Single Pole No | 19 | 3256-24 | 1 | Washer-Flat |
| 6 | 116-0042-03 | 1 | Strap-Tie Down, Battery | 20 | 1-303335 | 1 | Tie-Plastic |
| 7 | 1-633651 | 2 | Bolt-Holddown | 27 | 109-2407 | 1 | Insulator-Battery |
| 8 | 1-543792 | 2 | Wingnut | 28 | 1-543393 | 1 | Insulator-Solenoid |
| 9 | 1-643275 | 1 | Relay | | | | |

● Not serviced separately

■ Use dielectric grease on all unsealed connectors and terminals only. Do not apply in sealed connectors.

Deck Lift Assembly

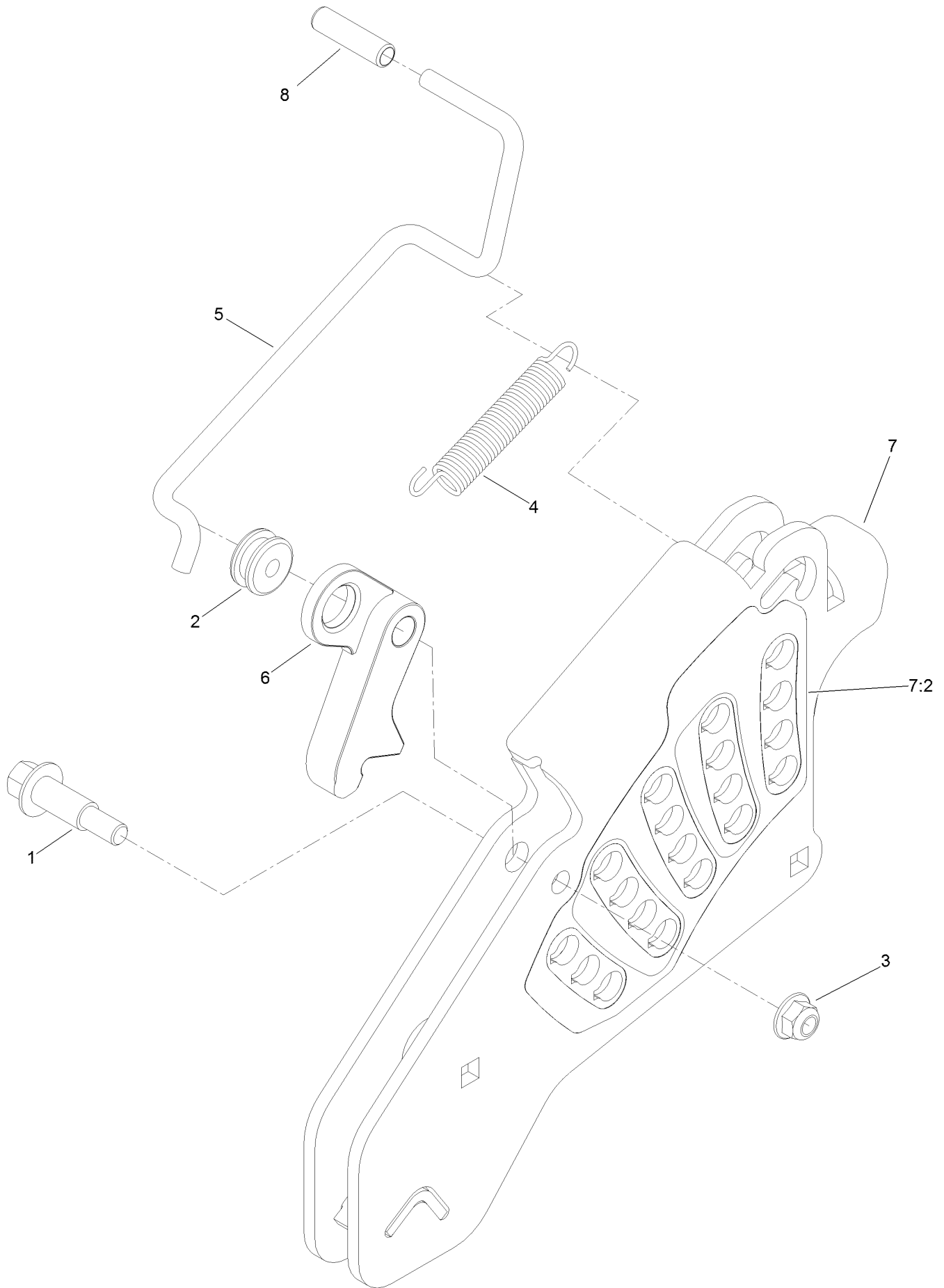


Deck Lift Assembly (continued)

| <i>Ref.</i> | <i>Part Number</i> | <i>Qty.</i> | <i>Description</i> | <i>Ref.</i> | <i>Part Number</i> | <i>Qty.</i> | <i>Description</i> |
|-------------|--------------------|-------------|---------------------------------------|-------------|--------------------|-------------|--------------------------|
| 1 | 86-1990 | 6 | Washer-Thrust | 20 | 3231-4 | 2 | Screw-CARR |
| 2 | 99-5107 | 12 | Nut-Lock | 21 | 3231-5 | 4 | Screw-CARR |
| 3 | 104-8301 | 12 | Nut-Flange, NI | 22 | 3233-34 | 1 | Screw-CARR |
| 4 | 109-5013 | 1 | Panhard Rod ASM | 23 | 3296-23 | 1 | Nut-Lock, NI |
| 4:2 | 109-5009 | 2 | Bushing-Suspension, Rubber | 24 | 116-1700 | 4 | Bolt-CARR |
| 4:3 | 109-5010 | 2 | Spacer | 25 | 116-0559 | 1 | Bolt-TAP |
| 5 | 109-7173 | 2 | Bearing-Cross Shaft, Rear | 26 | 116-2022 | 2 | Screw-HHF, Shoulder |
| 6 | 116-1919-01 | 1 | Lever-Foot | 31 | 92-7674 | 1 | Bolt-Shoulder |
| 7 | 117-3842 | 1 | Height-Of-Cut ASM | 32 | 116-0000 | 1 | Extension Spring ASM |
| 8 | 126-2477-03 | 1 | Decklift-Front | 33 | 109-9065 | 1 | Screw-HH |
| 9 | 116-0818-03 | 2 | Support-Cross Shaft, Rear Bearing | 34 | 32128-37 | 2 | Nut-HF |
| 10 | 109-7952 | 2 | Deck Strut ASM | 35 | 3256-28 | 2 | Washer-Flat |
| 10:2 | 109-5009 | 2 | Bushing-Suspension, Rubber | 36 | 116-2695 | 1 | Spacer |
| 10:3 | 109-5010 | 2 | Spacer | 37 | 109-8007 | 4 | Link-Adjuster, Deck Lift |
| 11 | 116-0797-03 | 1 | Link-Lift, Deck | 38 | 109-7840 | 4 | Adjuster-Lift, Deck |
| 12 | 116-2645-03 | 1 | Lift-Deck, Rear | 39 | 109-8353 | 4 | Trunnion |
| 13 | 116-5584 | 1 | Pin-HOC | 40 | 3218-5 | 4 | Nut-Jam |
| 14 | 109-9409 | 2 | Support-Cross Shaft, Front Bearing | 42 | 325-11 | 2 | Screw-HH |
| 15 | 109-9410 | 2 | Bearing-Cross Shaft, Front | 43 | | 1 | Discharge Tunnel ASM ● |
| 16 | 109-9840 | 4 | Screw-Shoulder, HHF | 43:1 | 125-9363-03 | 1 | Tunnel-Discharge |
| 17 | 325-12 | 2 | Screw-HH | 43:2 | 125-9366-03 | 1 | Bracket-Flap, LH |
| 18 | 325-17 | 1 | Screw-HH | 43:3 | 125-9367-03 | 1 | Bracket-Flap, RH |
| 19 | 3231-2 | 2 | Bolt-CARR | 43:4 | 125-9368 | 2 | Flap-Rubber |
| | | | | 43:5 | 3230-16 | 6 | Screw-CARR |
| | | | | 43:6 | 104-8300 | 6 | Nut-Flange, NI |
| | | | | 44 | 126-1705 | 2 | Bushing-Sleeve |
| | | | | 45 | 325-9 | 2 | Screw-HH |

● Not serviced separately

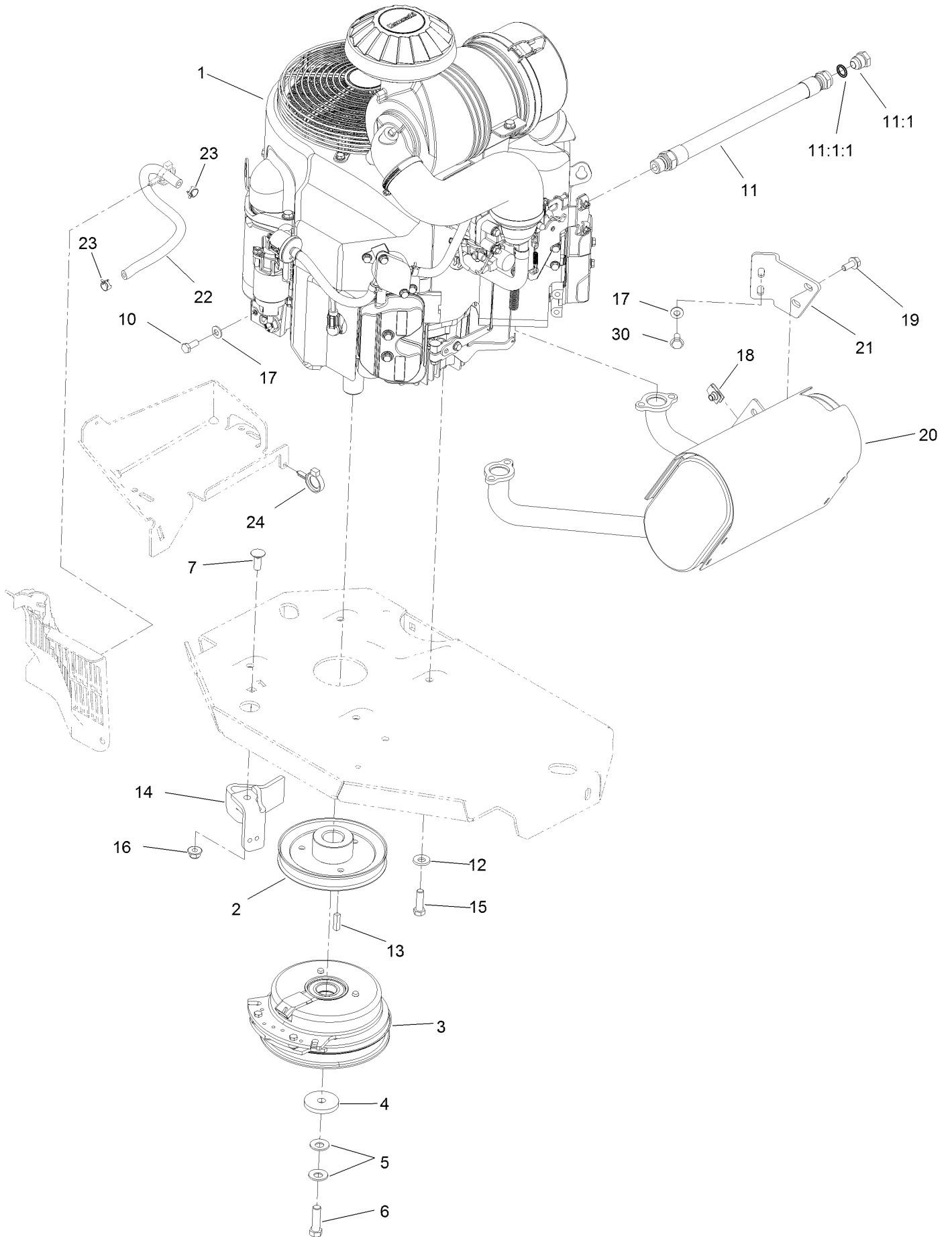
Height-of-Cut Assembly No. 117-3842



Height-of-Cut Assembly No. 117-3842 (continued)

| <i>Ref.</i> | <i>Part Number</i> | <i>Qty.</i> | <i>Description</i> | <i>Ref.</i> | <i>Part Number</i> | <i>Qty.</i> | <i>Description</i> |
|-------------|--------------------|-------------|---------------------|-------------|--------------------|-------------|-----------------------|
| 1 | 62-1330 | 1 | Bolt-Shoulder | 6 | 116-0118 | 1 | Pawl-Transport, HOC |
| 2 | 109-7130 | 1 | Grommet | 7 | 117-3837 | 1 | Plate-Height Adjuster |
| 3 | 104-8301 | 1 | Nut-Flange, NI | 7:2 | 114-4470 | 1 | Decal-HOC |
| 4 | 109-7124 | 1 | Spring-Extension | 8 | 109-8250 | 1 | Grip-Lever |
| 5 | 109-7128 | 1 | Rod-Lock, Transport | | | | |

Engine, Muffler and Clutch Assembly



Engine, Muffler and Clutch Assembly (continued)

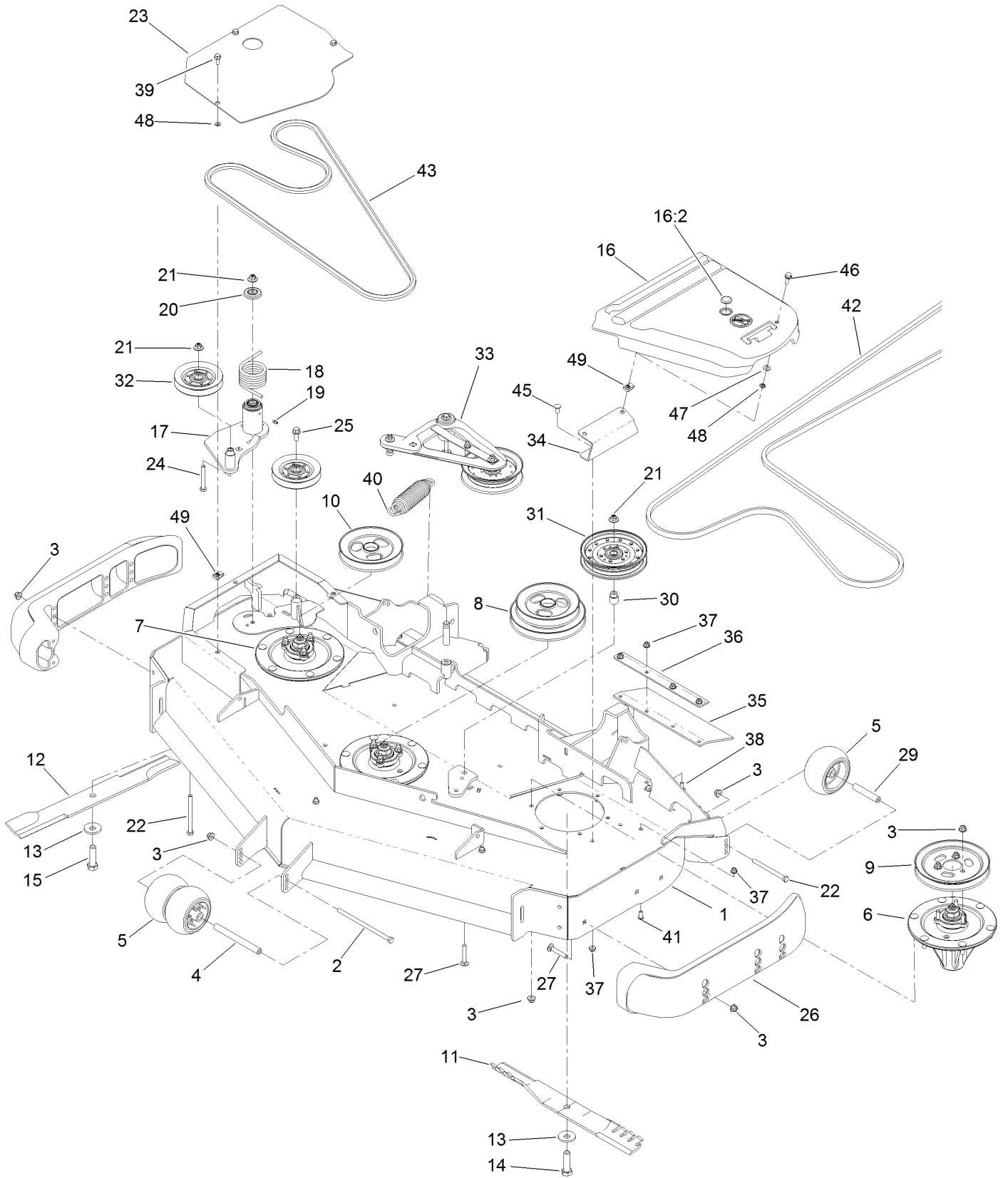
| <i>Ref.</i> | <i>Part Number</i> | <i>Qty.</i> | <i>Description</i> | <i>Ref.</i> | <i>Part Number</i> | <i>Qty.</i> | <i>Description</i> |
|-------------|--------------------|-------------|-------------------------------------|-------------|--------------------|-------------|--------------------|
| 1 | | 1 | Engine-Kawasaki, Fx801V-S04-R ●■ | 13 | 1-807259 | 1 | Key |
| 2 | 109-9905 | 1 | Sheave | 14 | 116-2612-01 | 1 | Clutch-Anchor |
| 3 | 116-1620 | 1 | Clutch Kit | 15 | 323-7 | 4 | Screw-HH |
| 4 | 109-6919 | 1 | Washer-Clutch | 16 | 104-8301 | 1 | Nut-Flange, NI |
| 5 | 1-603610 | 2 | Washer-Spring | 17 | 1-303334 | 3 | Washer-Spring |
| 6 | 109-9761 | 1 | Screw-HH ▲ | 18 | 94-2413 | 2 | U-Nut |
| 7 | 3231-22 | 1 | Screw-CARR | 19 | 3234-5 | 2 | Screw-HHF |
| 10 | 33114-020 | 1 | Screw-HH | 20 | 116-1712 | 1 | Muffler |
| 11 | 116-4924 | 1 | Engine Oil Drain Hose ASM | 21 | 116-0203 | 1 | Bracket-Muffler |
| 11:1 | 353-508 | 1 | Plug-HH | 22 | 109-0296 | 1 | Hose-Fuel |
| 11:1:1 | 237-42 | 1 | O-Ring | 23 | 2412-98 | 2 | Clamp-Hose |
| 12 | 98-5975 | 4 | Washer-Belleville | 24 | 105-1853 | 1 | Clamp-Hose |
| | | | | 30 | 95-4184 | 2 | Screw-HHF |

● Not serviced separately

▲ Use Pro-Lock, Nut Type (P/N 1-840022, .5ml tube) on threads.

■ Obtain parts from www.kawpowerepc.com

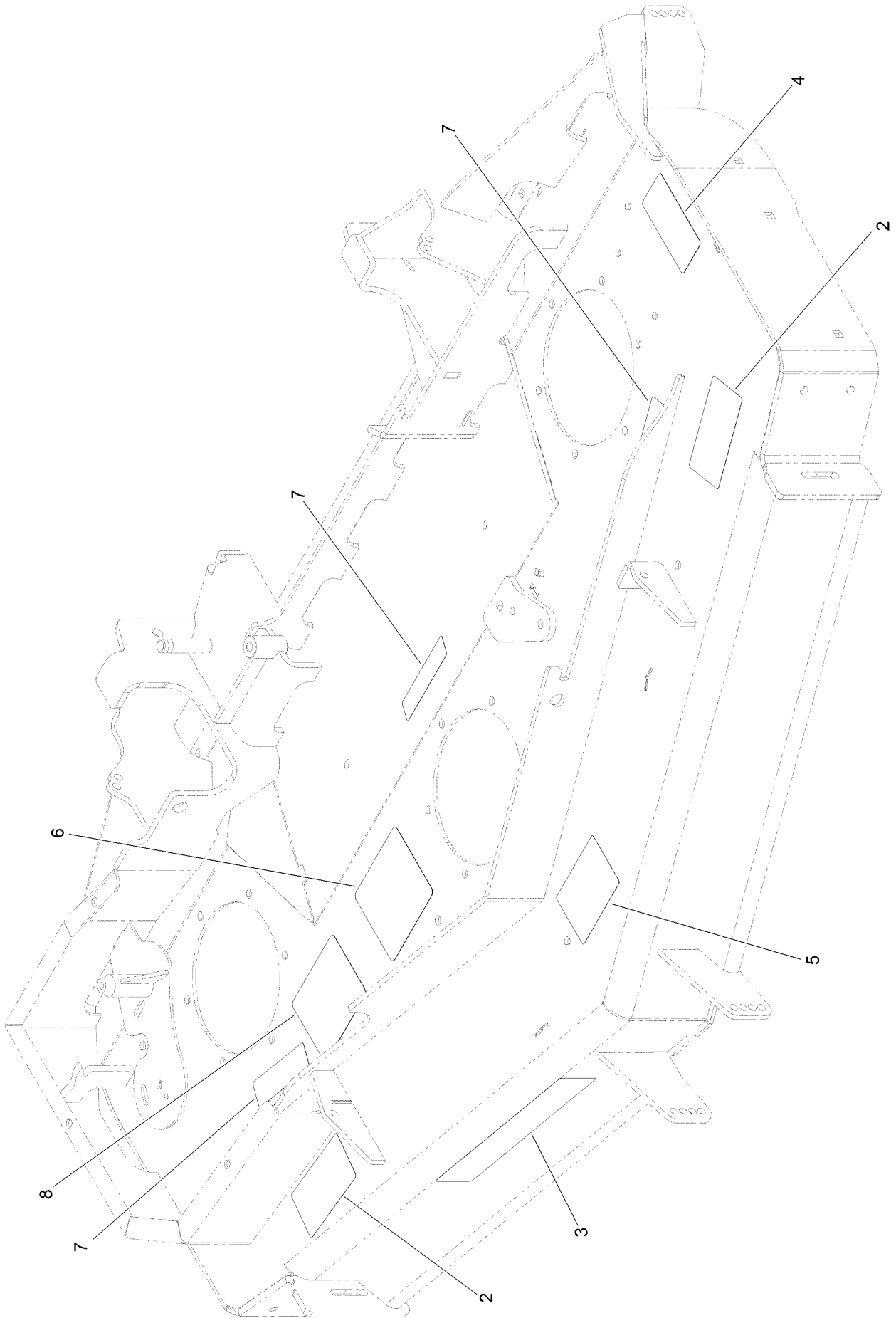
Deck Assembly



Deck Assembly (continued)

| <i>Ref.</i> | <i>Part Number</i> | <i>Qty.</i> | <i>Description</i> | <i>Ref.</i> | <i>Part Number</i> | <i>Qty.</i> | <i>Description</i> |
|-------------|--------------------|-------------|-------------------------------|-------------|--------------------|-------------|---------------------|
| 1 | 125-9391 | 1 | Deck Decal ASM | 24 | 323-13 | 1 | Screw-HH |
| 2 | 108-5388 | 1 | Screw-HH | 25 | 3234-11 | 1 | Screw-HHF |
| 3 | 104-8301 | 37 | Nut-Flange, NI | 26 | 112-1479 | 2 | Skid-Bumper, Deck |
| 4 | 98-5967 | 1 | Spacer-Wheel | 27 | 3231-7 | 7 | Screw-CARR |
| 5 | 1-603299 | 4 | Roller-Scalp, Anti | 29 | 98-7912 | 2 | Tube-Spanner |
| 6 | 119-8560 | 2 | Spindle ASM | 30 | 1-633456 | 1 | Bushing, Idler |
| 7 | 125-9324 | 1 | LH Spindle ASM | 31 | 116-4670 | 1 | Pulley-Idler, Flat |
| 8 | 125-9317 | 1 | Pulley | 32 | 126-1478 | 2 | Sheave |
| 9 | 105-7734 | 1 | Pulley | 33 | 126-1720 | 1 | Deck Idler ASM |
| 10 | 125-9316 | 1 | Pulley | 34 | 114-5882-01 | 1 | Bracket-Cover, Belt |
| 11 | 105-8777-03 | 2 | Blade-Atomic, 20.5In | 35 | 116-8191 | 2 | Guard-Tire |
| 12 | 125-9329-01 | 1 | Blade-Rotary, 20.5In Low Flow | 36 | 126-0413-01 | 2 | Support-Outer Flap |
| 13 | 103-0865 | 3 | Washer-Blade Bolt, Heavy | 37 | 104-8300 | 16 | Nut-Flange, NI |
| 14 | 51-4060 | 2 | Screw-Blade | 38 | 3230-16 | 8 | Screw-CARR |
| 15 | 125-9326 | 1 | Screw-Blade, LH | 39 | 3234-47 | 3 | Screw-HHF |
| 16 | 117-7816 | 1 | LH Belt Cover ASM | 40 | 116-6317 | 1 | Spring-Extension |
| 16:2 | 117-3824 | 1 | Plug-Plastic | 41 | 3274-55 | 6 | Screw-HSBH |
| 17 | 127-6659 | 1 | Deck Idler ASM | 42 | 125-9371 | 1 | Belt-V |
| 18 | 108-1921 | 1 | Spring-Torsion | 43 | 116-8187 | 1 | Belt-Hex |
| 19 | 302-19 | 1 | Fitting-Grease | 45 | 3230-23 | 2 | Screw-CARR |
| 20 | 103-2916 | 1 | Guard-Top | 46 | 3234-29 | 1 | Screw-HHF |
| 21 | 109-6658 | 3 | Nut-Flange, NI | 47 | 73-0041 | 1 | Washer-Thrust |
| 22 | 323-23 | 3 | Screw-HH | 48 | 117-2749 | 4 | Nut-Push |
| 23 | 127-6660-03 | 1 | Plate-Belt Cover, RH | 49 | 94-2413 | 4 | U-Nut |

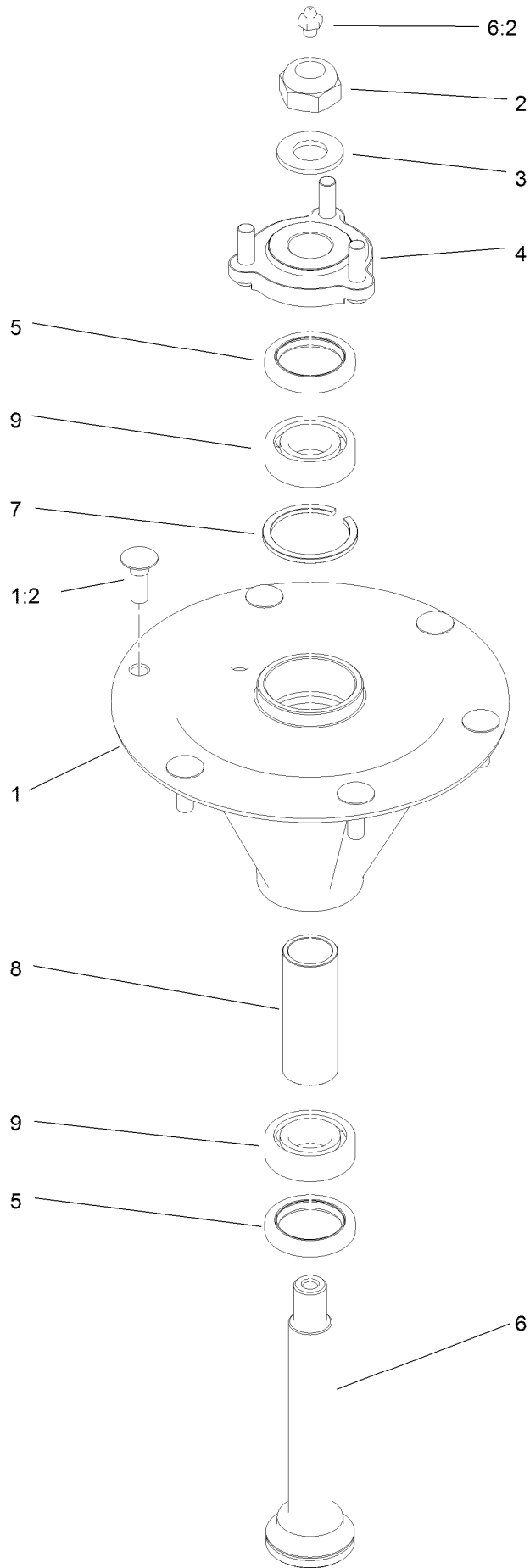
Deck Decal Assembly No. 125-9391



Deck Decal Assembly No. 125-9391 (continued)

| <i>Ref.</i> | <i>Part Number</i> | <i>Qty.</i> | <i>Description</i> | <i>Ref.</i> | <i>Part Number</i> | <i>Qty.</i> | <i>Description</i> |
|-------------|--------------------|-------------|--------------------------|-------------|--------------------|-------------|------------------------------------|
| 2 | 117-3848 | 2 | Decal-Danger | 6 | 125-9384 | 1 | Decal-Routing, Deck Belt |
| 3 | 107-1619 | 1 | Decal | 7 | 112-9028 | 3 | Decal-Cover Missing |
| 4 | 93-7818 | 1 | Decal-Torque, Blade Bolt | 8 | 127-6662 | 1 | Decal-Spindle, Counter Rotating |
| 5 | 127-6651 | 1 | Decal-Anti Scalp | | | | |

Spindle Assembly No. 119-8560

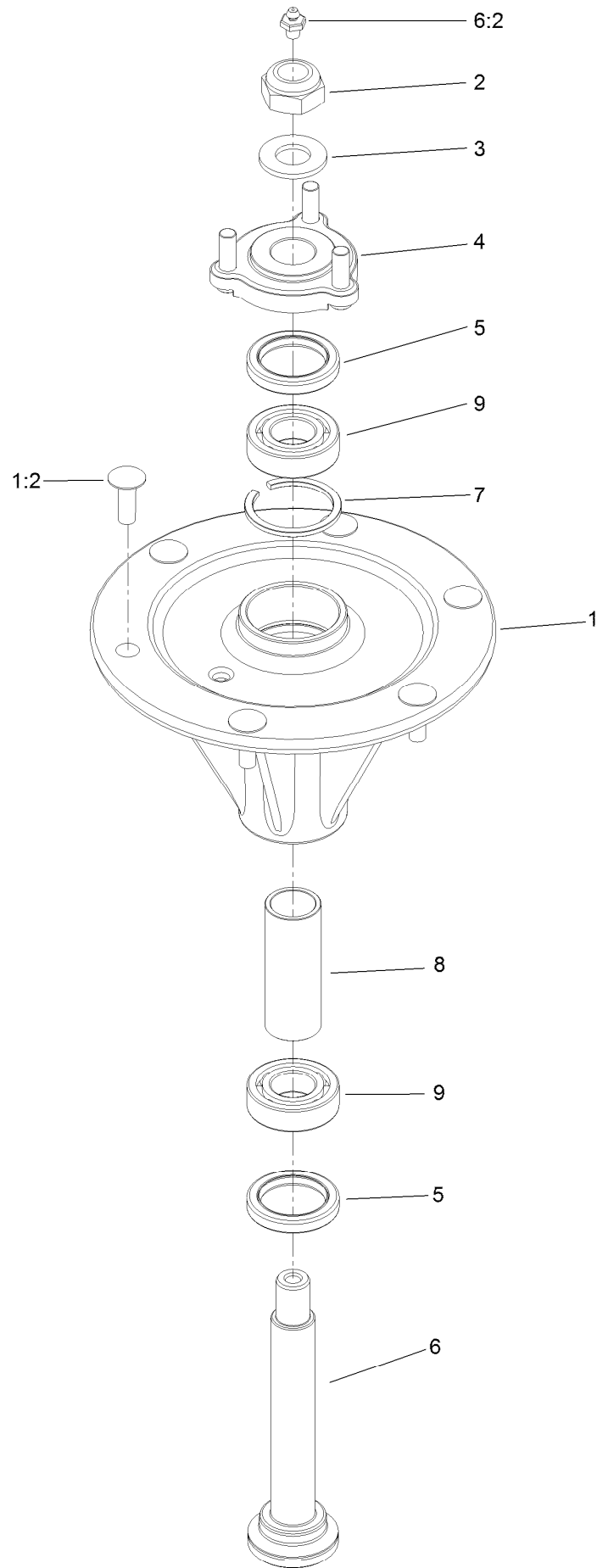


Spindle Assembly No. 119-8560 (continued)

| <i>Ref.</i> | <i>Part Number</i> | <i>Qty.</i> | <i>Description</i> | <i>Ref.</i> | <i>Part Number</i> | <i>Qty.</i> | <i>Description</i> |
|-------------|--------------------|-------------|------------------------------------|-------------|--------------------|-------------|--------------------|
| 1 | | 1 | Spindle Housing And Studs ASM ● | 5 | 253-133 | 2 | Seal-Oil |
| 1:2 | 114-8195 | 6 | Bolt-Ribbed Neck | 6 | 119-8527 | 1 | Shaft-Spindle |
| 2 | 3296-67 | 1 | Nut-Lock, NI | 6:2 | 302-2 | 1 | Fitting-Grease |
| 3 | 92-5836 | 1 | Washer | 7 | 119-8532 | 1 | Snap Ring |
| 4 | 117-6172 | 1 | Spindle Hub ASM | 8 | 117-6184 | 1 | Spacer |
| | | | | 9 | 119-8558 | 2 | Bearing-Noseal |

● Not serviced separately

Spindle Assembly No. 125-9324

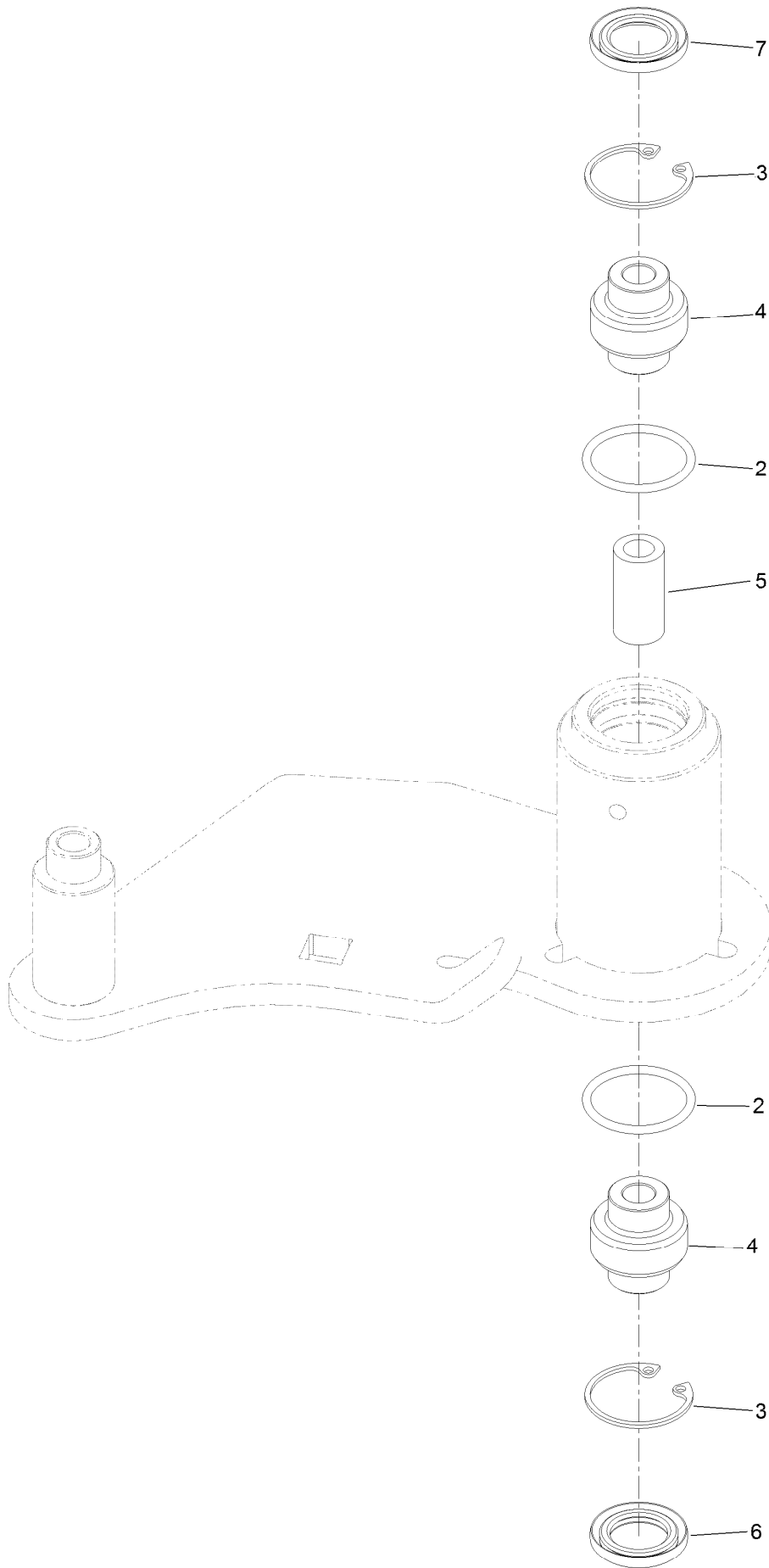


Spindle Assembly No. 125-9324 (continued)

| <i>Ref.</i> | <i>Part Number</i> | <i>Qty.</i> | <i>Description</i> | <i>Ref.</i> | <i>Part Number</i> | <i>Qty.</i> | <i>Description</i> |
|-------------|--------------------|-------------|------------------------------------|-------------|--------------------|-------------|--------------------|
| 1 | | 1 | Spindle Housing And Studs ASM ● | 5 | 253-133 | 2 | Seal-Oil |
| 1:2 | 114-8195 | 6 | Bolt-Ribbed Neck | 6 | 125-9322 | 1 | Shaft-Spindle |
| 2 | 125-9325 | 1 | Nut-Lock,NI LH | 6:2 | 302-2 | 1 | Fitting-Grease |
| 3 | 92-5836 | 1 | Washer | 7 | 119-8532 | 1 | Snap Ring |
| 4 | 117-6172 | 1 | Spindle Hub ASM | 8 | 117-6184 | 1 | Spacer |
| | | | | 9 | 119-8558 | 2 | Bearing-Noseal |

● Not serviced separately

Idler Assembly No. 126-0853

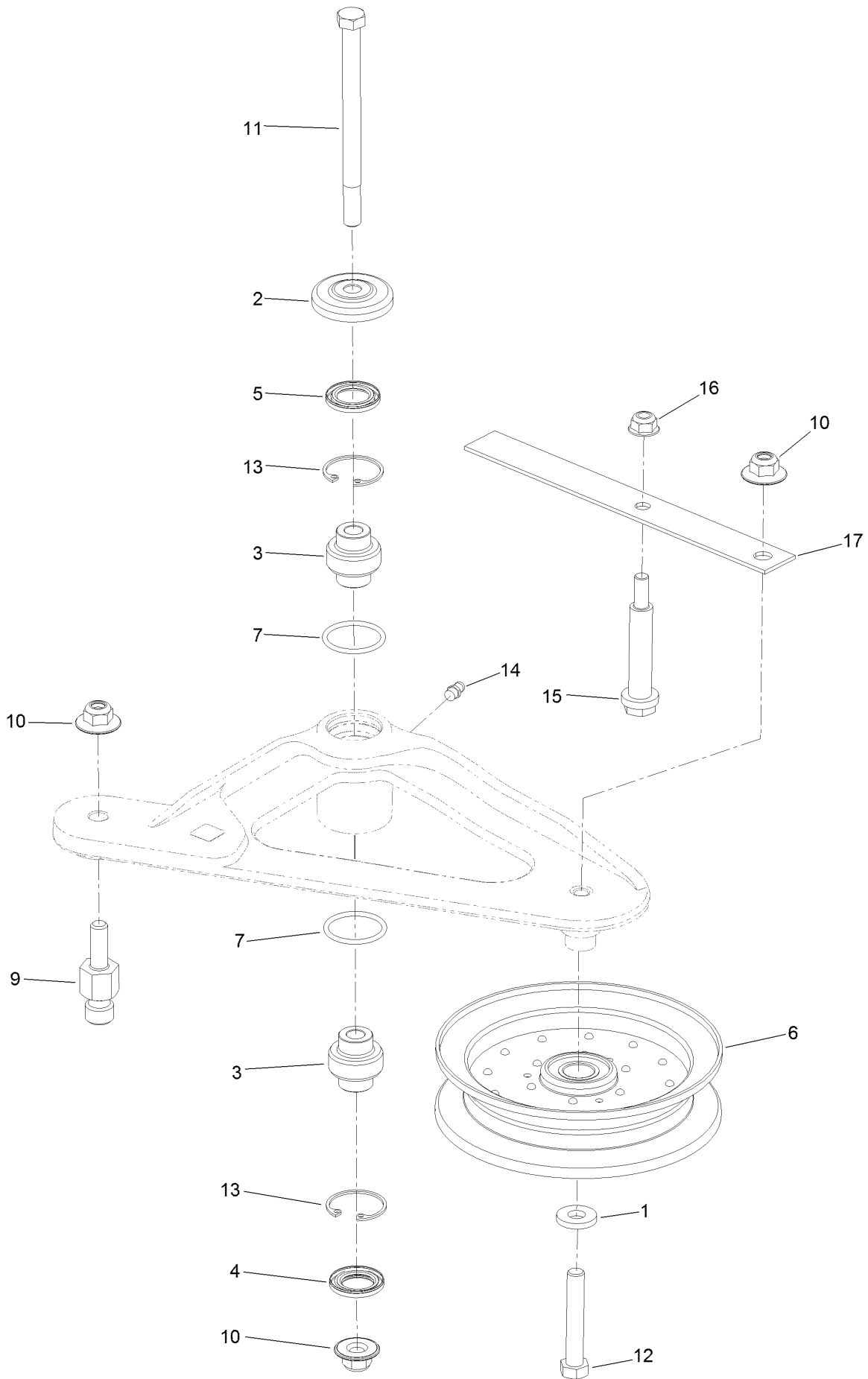


Idler Assembly No. 126-0853 (continued)

| <i>Ref.</i> | <i>Part Number</i> | <i>Qty.</i> | <i>Description</i> |
|-------------|--------------------|-------------|--------------------|
| 2 | 106-7159 | 2 | O-Ring |
| 3 | 32120-10 | 2 | Ring-Snap |
| 4 | 103-3504 | 2 | Bearing-Spherical |

| <i>Ref.</i> | <i>Part Number</i> | <i>Qty.</i> | <i>Description</i> |
|-------------|--------------------|-------------|--------------------|
| 5 | 108-6544 | 1 | Spacer |
| 6 | 103-3505 | 1 | Seal-Double Lip |
| 7 | 103-3506 | 1 | Seal-Single Lip |

Deck Idler Assembly No. 126-1720



Deck Idler Assembly No. 126-1720 (continued)

| <i>Ref.</i> | <i>Part Number</i> | <i>Qty.</i> | <i>Description</i> | <i>Ref.</i> | <i>Part Number</i> | <i>Qty.</i> | <i>Description</i> |
|-------------|--------------------|-------------|-----------------------|-------------|--------------------|-------------|------------------------|
| 1 | 43-0940 | 1 | Spacer | 10 | 109-6658 | 2 | Nut-Flange, NI |
| 2 | 103-2916 | 1 | Guard-Top | 11 | 109-7409 | 1 | Screw-Shoulder, HH |
| 3 | 103-3504 | 2 | Bearing-Spherical | 12 | 104-3396 | 1 | Screw-HH |
| 4 | 103-3505 | 1 | Seal-Double Lip | 13 | 32120-10 | 2 | Ring-Snap |
| 5 | 103-3506 | 1 | Seal-Single Lip | 14 | 302-19 | 1 | Fitting-Grease |
| 6 | 116-4668 | 1 | Idler-Pulley, Flanged | 15 | 88-4590 | 1 | Bolt-Shoulder |
| 7 | 106-7159 | 2 | O-Ring | 16 | 104-8300 | 1 | Nut-Flange, NI |
| 9 | 126-0423 | 1 | Pin-Spring, Anchor | 17 | 126-1704 | 1 | Spring-Belt Guide Leaf |

Attachments and Accessories

For 74942TE Z Master Professional 6000 Series Riding Mower with 152cm TURBO FORCE Rear Discharge Mower

| Product Name | Model/Part |
|---|-------------------|
| Blade-Atomic, 20.5in | 105-8777-03 |
| 6 Pack-Blade, 20.5in Atomic..... | 108-1115 |
| Hitch Kit | 109-9487 |
| Hypr-Oil 500 (quart)..... | 114-4713 |
| Hypr-Oil 500 (gallon)..... | 114-4714 |
| Hypr-Oil 500-5 (5 gallon)..... | 114-4715 |
| Bimini Folding Shade Assembly | 115-4510 |
| Light Kit..... | 116-1154 |
| Deluxe Seat Kit..... | 121-7595 |
| Seat Tilt Frame And Iso Mount Kit..... | 121-7596 |
| Baffle Kit | 125-9305 |
| Counter Rotating Rotary Blade 20.5in Low Flow | 125-9329-01 |
| Deck Skid Bumper | 126-0854 |
| Anti-Scalp and Wear Bar Kit | 127-6650 |
| Jack Mount Kit | 127-6665 |
| Jack Kit..... | 127-6666 |
| Toro Deluxe Rider Cover..... | 490-7319 |
| Spark Arrestor Screen | 75-6880 |
| Filter Minder Gauge | 99-4664 |
| Trash Holder Kit..... | TC26 |

Notes:



Count on it.