



**Count on it.**

**Parts Catalog**

**Z Master® Professional 5000  
Series Riding Mower**

**with 60in TURBO FORCE® Side Discharge  
Mower**

Model No. 74915—Serial No. 314000001 and Up



# Ordering Replacement Parts

To order replacement parts, please supply the part number, the quantity, and the description of each part desired.

## Understanding Reference Numbers

Each identified part in an illustration has a reference number. The reference number for a part also appears in the parts list, along with other information about the part.

This catalog uses two special reference number formats, one to indicate parts in a service assembly and another to indicate the quantity of a given part in an illustration.

## Service Assembly Reference Numbers

Parts in service assemblies have reference numbers in the form a:b. The a represents the reference number of the entire service assembly and the b represents a sequential number unique to each part within the service assembly.

For example, a wheel assembly might be identified by reference number 6, the tire by 6:1, the valve by 6:2, and the wheel by 6:3. When you order the assembly identified by reference number 6, you receive all parts identified by reference numbers 6:1, 6:2, and 6:3. However, you may also order any part individually. Reference numbers of this type appear in illustration and in parts lists.

## Reference Numbers Indicating Quantity

In an illustration, if a reference number indicates more than one part, the reference number has the form nX y. The n represents the quantity of the part, the X is the multiplication symbol, and the y represents the reference number.

For example, in an illustration, the reference number 2X 37 means that two of the parts identified by reference number 37 are indicated.

# List of Abbreviations

**AR:** as required

**ASM:** assembly

**BBC:** blade brake control

**BHTF:** button head thread forming

**CARR:** carriage

**CCW:** counter clockwise

**CW:** clockwise

**DEG:** degrees

**DPA:** Dual Point Adjustment

**ECM:** electronic control module

**EXT:** external

**FH:** flat head

**GA:** gauge

**HD:** heavy-duty

**HF:** hex flange

**HH:** hex head

**HHF:** hex head flange

**HHFTF:** hex head flange thread forming

**HJ:** hex jam

**HLH:** hex lag head

**HOC:** height-of-cut

**HSBH:** hex socket button head

**HSFH:** hex socket flat head

**HSH:** hex socket head

**HWH:** hex washer head

**HWHTF:** hex washer head thread forming

**HYD:** hydraulic

**LH:** left hand

**LP:** Liquefied Petroleum Gas

**LPG:** Liquefied Petroleum Gas

**NI:** nylon insert

**NPTF:** national pipe thread fine

**PFH:** phillips flat head

**PPH:** phillips pan head

**PPHTF:** phillips pan head thread forming

**PRH:** phillips round head

**PTH:** phillips truss head

**PTO:** power-take-off

**RH:** right hand

**ROPS:** roll-over protection system

**RRB:** rear roller brush

**SFH:** slotted fillister head

**SHH:** slotted hex head

**SHWH:** slotted hex washer head

**SPH:** slotted pan head

**SQH:** square head

**SRH:** slotted round head

**STD:** standard

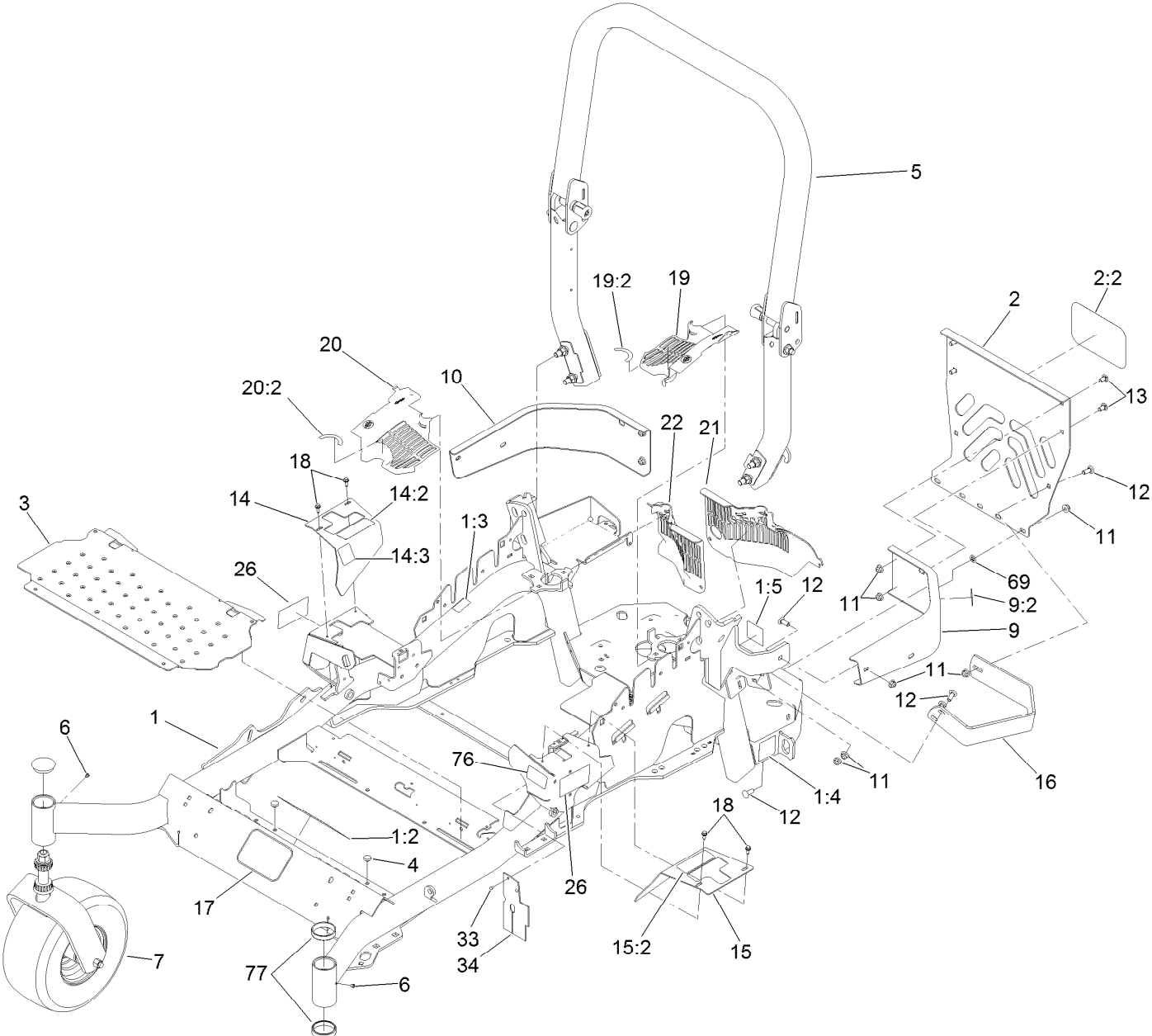
**TAP:** self tapping

**TTH:** torx truss head

# Contents

Frame and Caster Wheel Assembly .....	4
Roll-Over Protection System Assembly No. 116-0231 .....	6
Caster Fork and Wheel Assembly .....	8
Hydraulic Pump, Idler and Belt Assembly .....	10
Pump Idler Assembly No. 116-1255 .....	12
LH Hydro Assembly No. 116-6413 .....	14
RH Hydro Assembly No. 116-6414 .....	16
Rear Wheel and Park Brake Assembly .....	18
Parking Brake Handle Assembly No. 116-7551 .....	20
Fuel Tank Mounting Assembly .....	22
Fuel Tank Assembly No. 116-3979 .....	24
Seat Mount Assembly .....	26
Seat Assembly No. 125-3107 .....	28
Motion Control Assembly .....	30
Fender, Console and Control Assembly .....	32
Electrical Assembly .....	34
Decklift Assembly .....	36
Height-of-Cut Assembly No. 109-7438 .....	38
Engine, Clutch and Muffler Assembly .....	40
Deck Assembly .....	42
Deck Decal Assembly No. 114-5815 .....	44
Idler Assembly .....	46
Spindle Assembly No. 119-8560 .....	48
Rubber Deflector Assembly No. 108-2792 .....	50
Attachments and Accessories .....	52

# Frame and Caster Wheel Assembly



## Frame and Caster Wheel Assembly (continued)

<i>Ref.</i>	<i>Part Number</i>	<i>Qty.</i>	<i>Description</i>	<i>Ref.</i>	<i>Part Number</i>	<i>Qty.</i>	<i>Description</i>
1	116-5902	1	Mainframe ASM	14:2	109-7232	1	Decal-Motion Control
1:2	116-3303	1	Decal-Slope	14:3	116-5944	1	Decal-Park Brake
1:3	103-2076	2	Decal-Caution	15	116-0580	1	LH Motion Control Cover ASM
1:4	116-0205	2	Decal-Belt Drive	15:2	109-7232	1	Decal-Motion Control
1:5	116-4858	1	Decal-Spark Arrester	16	126-2067-03	1	Guard-Muffler
2	115-7410	1	Rear Guard ASM	17	68-3640	1	Decal
2:2	67-7320	1	Decal	18	32144-10	4	Screw-HWH
3	116-8898-01	1	Floorpan	19	116-0170	1	LH Hydro Guard ASM
4	1-513658	2	Bumper	19:2	116-0157	1	Decal-Hydro Oil
5	116-0231	1	ROPS ASM	20	116-0171	1	RH Hydro Guard ASM
6	1-811010	2	Plug	20:2	116-0157	1	Decal-Hydro Oil
7		2	Caster Wheel ASM ●	21	109-9057	1	Guard-Hydro, Rear LH
9	116-0180	1	LH Bumper ASM	22	109-9058	1	Guard-Hydro, Rear RH
9:2	103-2076	1	Decal-Caution	26	120-5894	2	Decal
10	116-0057-03	1	Bumper-RH	33	1-803035	2	Rivet-Pop
11	104-8301	11	Nut-Flange, NI	34	116-2362	1	Deflector-Air Flow
12	3231-22	7	Screw-CARR	69	107-3154	2	Nut-Push
13	3231-21	3	Screw-CARR	76	116-1654	1	Decal-Fuel Fill
14	116-5899	1	RH Motion Control Cover ASM	77	1-543508	4	Cup-Bearing

● Not serviced separately

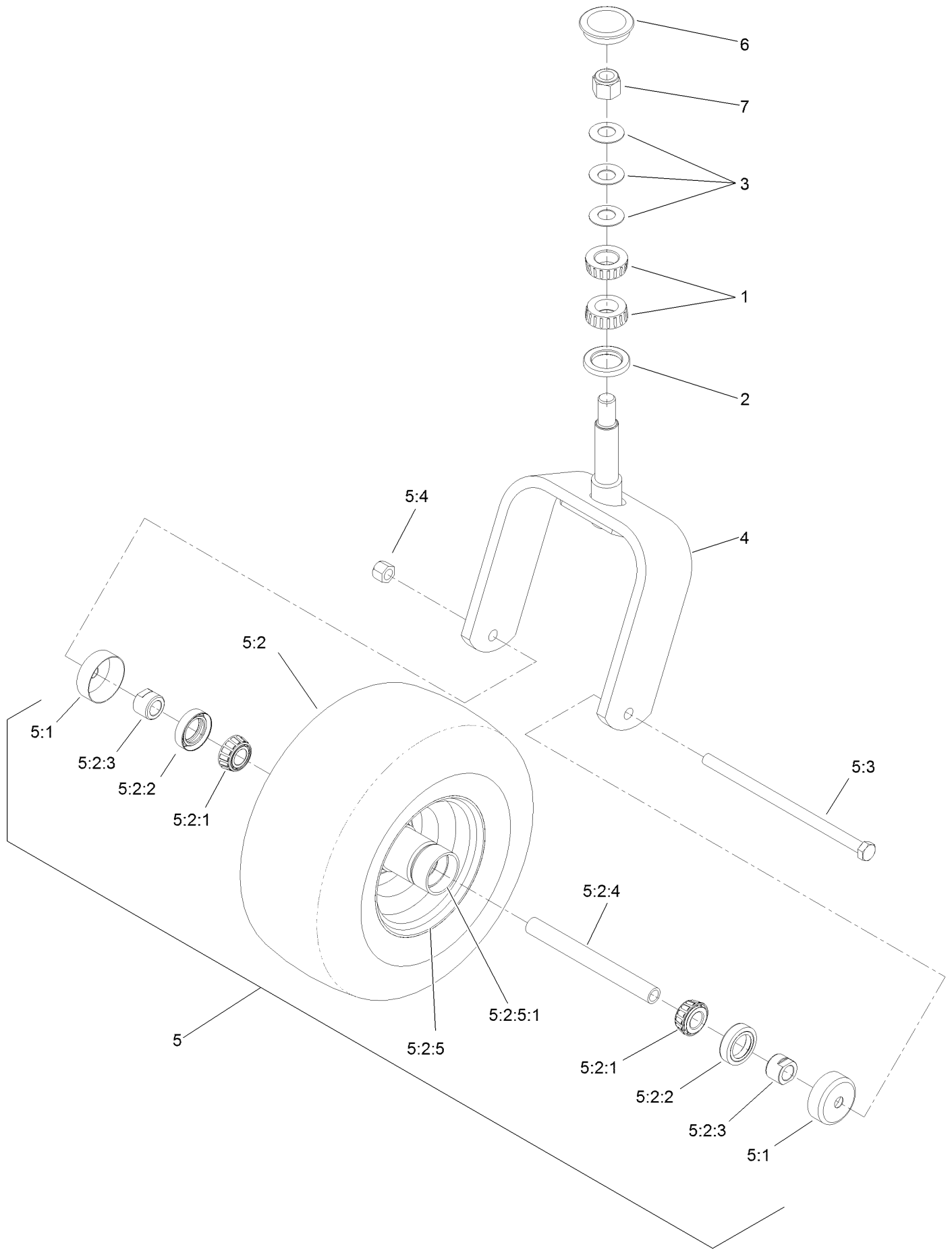


# Roll-Over Protection System Assembly No. 116-0231 (continued)

<i>Ref.</i>	<i>Part Number</i>	<i>Qty.</i>	<i>Description</i>	<i>Ref.</i>	<i>Part Number</i>	<i>Qty.</i>	<i>Description</i>
1		1	Leg-ROPS, LH ●	7	99-5107	6	Nut-Lock
2		1	Leg-ROPS, RH ●	8	3233-10	2	Screw-CARR
3	109-6653	2	Spacer	9	325-17	4	Screw-HH
4		1	Upper ROPS ASM ●	10	109-9505	4	Washer-Spring
4:2	107-2102	1	Decal-Warning, Folding ROPS	11	109-9233	1	Bumper-Push-In, Rubber
5	109-5337	2	Bumper-ROPS	12	116-0090	1	Decal-Caution
6	116-0104	2	Pin-Spring	14	116-0960	2	Spacer

● Not serviced separately

# Caster Fork and Wheel Assembly





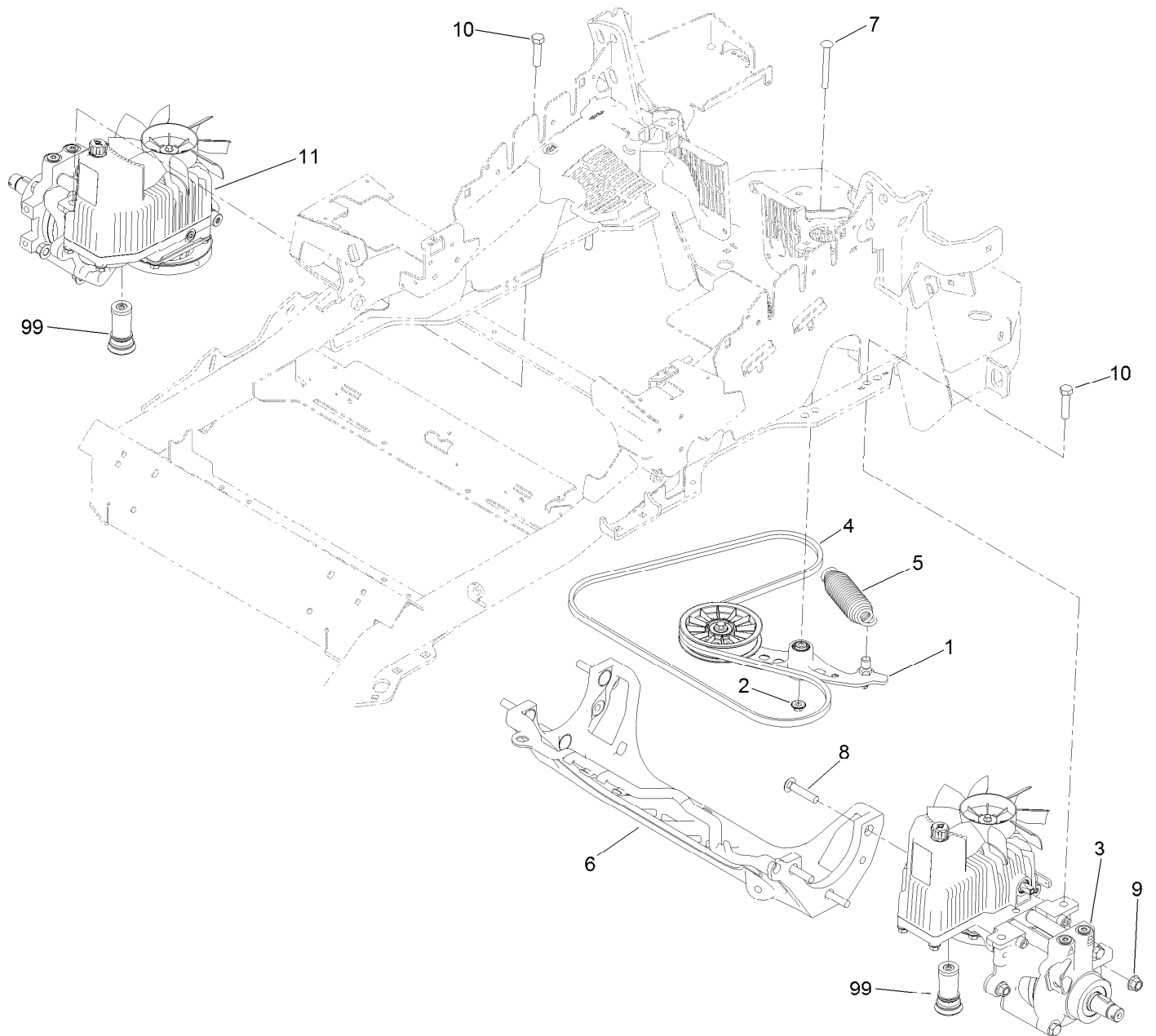
## Caster Fork and Wheel Assembly (continued)

<i>Ref.</i>	<i>Part Number</i>	<i>Qty.</i>	<i>Description</i>	<i>Ref.</i>	<i>Part Number</i>	<i>Qty.</i>	<i>Description</i>
1	1-543509	2	Bearing-Roller, Tapered	5:2:3	103-3051	2	Spacer-Nut ■
2	116-5647	1	Seal-Grease	5:2:4	103-5156	1	Axle-Caster
3	1-633508	3	Washer-Bellville	5:2:5		1	Wheel And Tire ASM ●
4	116-6707-01	1	Caster	5:2:5:1	1-633584	1	Bearing-Cup
5	127-9528	1	Wheel And Axle ASM	5:3	325-39	1	Screw-HH
5:1	103-2768	2	Guard-Seal	5:4	3296-23	1	Nut-Lock, NI
5:2		1	Wheel And Bearing ASM ●	6	103-4882	1	Cap-Grease
5:2:1	1-633585	2	Bearing-Cone, Taper	7	3296-51	1	Nut-Lock, NI
5:2:2	103-0063	2	Seal-Caster				

● Not serviced separately

■ Use Pro-Lock, Nut Type (P/N 1-840022, .5ml tube) on threads.

# Hydraulic Pump, Idler and Belt Assembly



## Hydraulic Pump, Idler and Belt Assembly (continued)

<i>Ref.</i>	<i>Part Number</i>	<i>Qty.</i>	<i>Description</i>	<i>Ref.</i>	<i>Part Number</i>	<i>Qty.</i>	<i>Description</i>
1	116-1255	1	Pump Idler ASM	9	99-5107	6	Nut-Lock
2	109-6658	1	Nut-Flange, NI	10	325-8	4	Screw-HH
3	116-6413	1	LH Hydro ASM (12Cc W/Shock)	11	116-6414	1	RH Hydro ASM (12Cc W/Shock)
4	109-3388	1	Belt	99	114-4713	1	Hypr-Oil 500 (Quart) ●
5	116-6317	1	Spring-Extension	99	114-4714	1	Hypr-Oil 500 (Gallon) ●
6	109-9375	1	Cradle-Hydro	99	114-4715	1	Hypr-Oil 500-5 (5 Gallon) ●
7	116-1502	1	Bolt-Shoulder, Carriage	99	117-0390	1	Filter-Hydro
8	126-0095	6	Screw-CARR				

● Not illustrated

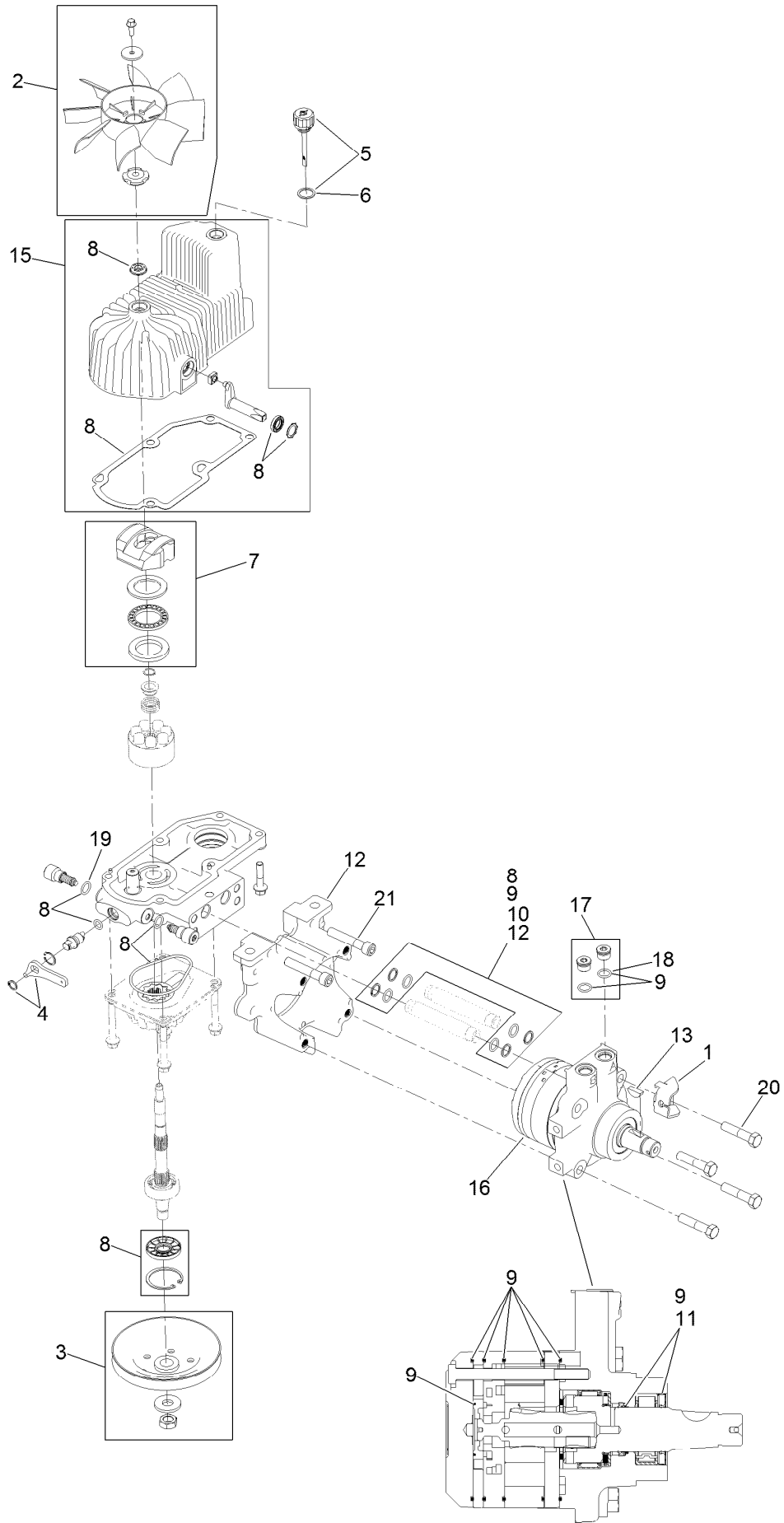
# Pump Idler Assembly No. 116-1255



## Pump Idler Assembly No. 116-1255 (continued)

<i>Ref.</i>	<i>Part Number</i>	<i>Qty.</i>	<i>Description</i>	<i>Ref.</i>	<i>Part Number</i>	<i>Qty.</i>	<i>Description</i>
2	43-0940	1	Spacer	8	323-8	1	Screw-HH
3	103-3504	2	Bearing-Spherical	9	32120-10	2	Ring-Snap
4	103-3505	1	Seal-Double Lip	10	302-19	1	Fitting-Grease
5	103-3506	1	Seal-Single Lip	11	109-8076	1	Pulley-Idler
6	109-6658	1	Nut-Flange, NI	12	116-3467	1	Pin-Spring, Anchor
7	106-7159	2	O-Ring				

# LH Hydro Assembly No. 116-6413

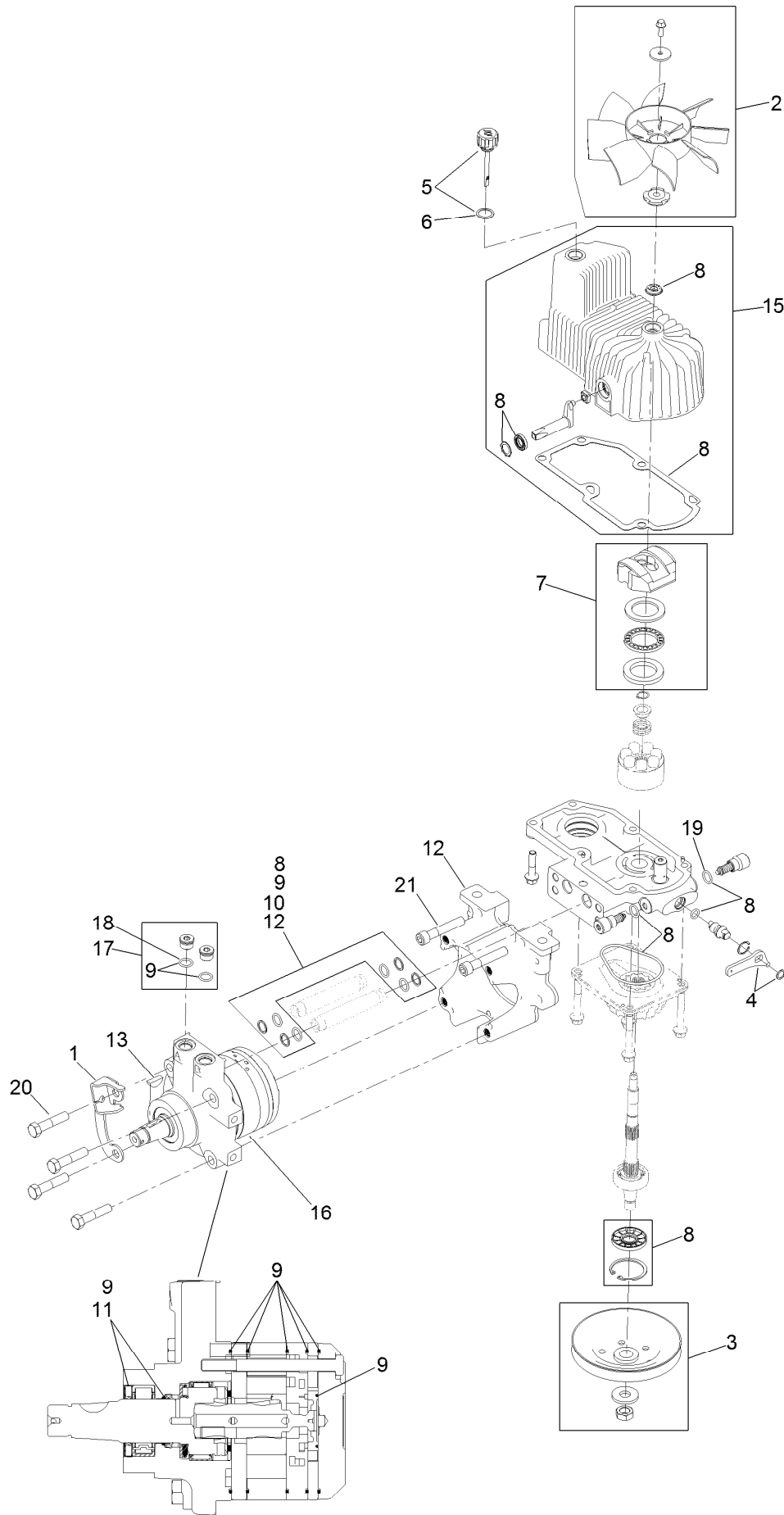


## LH Hydro Assembly No. 116-6413 (continued)

<i>Ref.</i>	<i>Part Number</i>	<i>Qty.</i>	<i>Description</i>	<i>Ref.</i>	<i>Part Number</i>	<i>Qty.</i>	<i>Description</i>
1	116-6859	1	Bracket-Anchor, Cable	11	116-1371	1	Output Shaft Seal Kit
2	116-0233	1	Fan Kit	12	116-5469	1	Nose Cup-Uht
3	116-0234	1	Pulley Kit	13	3257-42	1	Key-Woodruff
4	116-0235	1	Handle-Bypass Valve, Hydro	15	116-3287	1	Housing-LH
5	116-0236	1	Dipstick-Hydro W/Gasket	16	116-8915	1	Motor-Hydraulic LH 240Cc
6	116-0237	1	Gasket-Dipstick, Hydro	17	116-7901	1	Magnetic Plugs Service Kit
7	116-1367	1	Swash Block Kit	18	76-1900	2	O-Ring
8	116-1368	1	Pump Seal Kit	19	116-8662	2	O-Ring-Check Valve
9	116-1369	1	Motor Seal Kit	20	116-8974	4	Screw HH
10	116-1370	1	Tube Seal Kit	21	116-8975	2	Screw-HSH
				99	116-1373	1	Flow Test Kit ●

● Not illustrated

# RH Hydro Assembly No. 116-6414



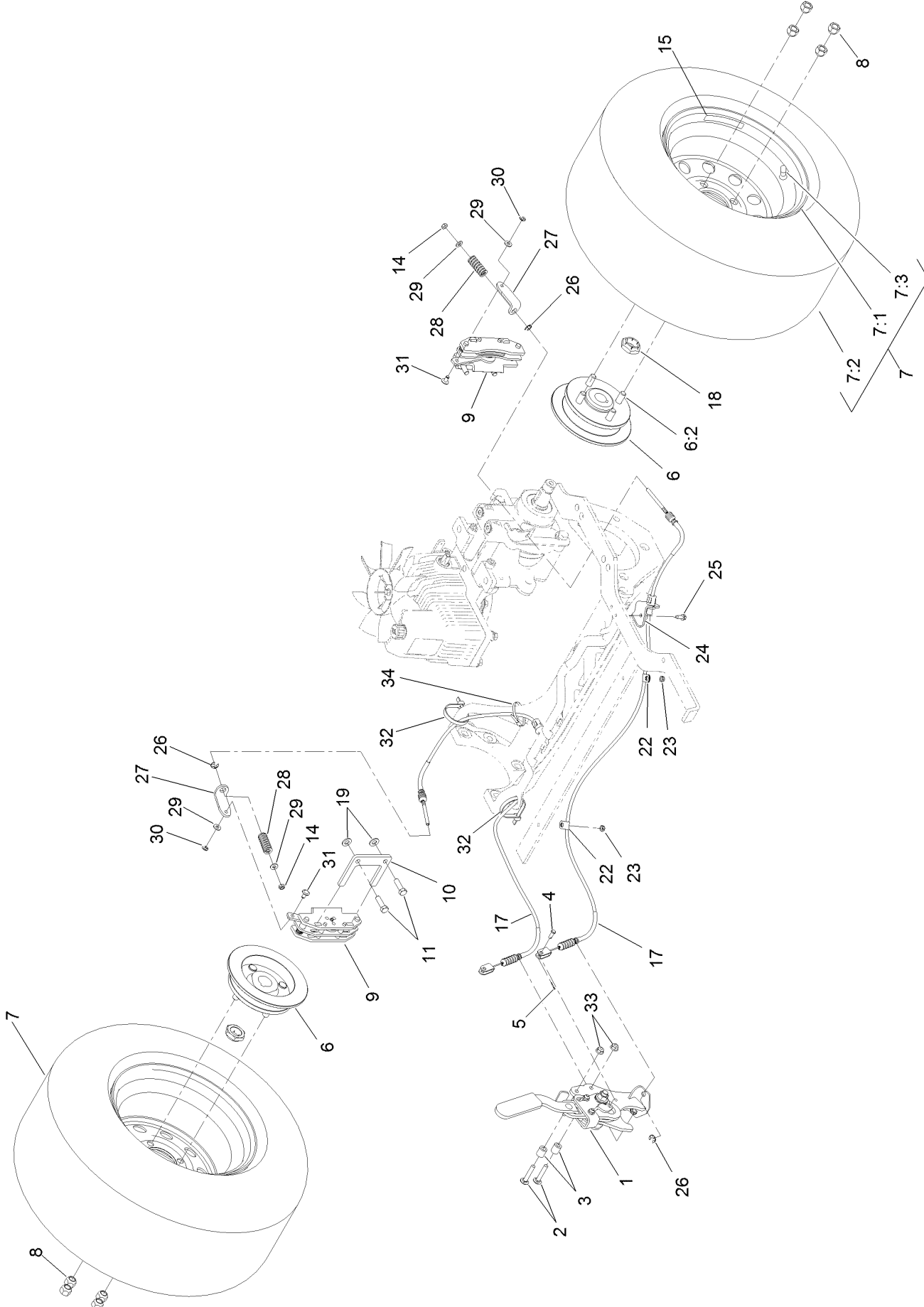


## RH Hydro Assembly No. 116-6414 (continued)

<i>Ref.</i>	<i>Part Number</i>	<i>Qty.</i>	<i>Description</i>	<i>Ref.</i>	<i>Part Number</i>	<i>Qty.</i>	<i>Description</i>
1	116-6859	1	Bracket-Anchor, Cable	11	116-1371	1	Output Shaft Seal Kit
2	116-0233	1	Fan Kit	12	116-5469	1	Nose Cup-Uht
3	116-0234	1	Pulley Kit	13	3257-42	1	Key-Woodruff
4	116-0235	1	Handle-Bypass Valve, Hydro	15	116-3288	1	Housing-RH
5	116-0236	1	Dipstick-Hydro W/Gasket	16	116-8916	1	Motor-Hydraulic RH 240Cc
6	116-0237	1	Gasket-Dipstick, Hydro	17	116-7901	1	Magnetic Plugs Service Kit
7	116-1367	1	Swash Block Kit	18	76-1900	2	O-Ring
8	116-1368	1	Pump Seal Kit	19	116-8662	2	O-Ring-Check Valve
9	116-1369	1	Motor Seal Kit	20	116-8974	4	Screw HH
10	116-1370	1	Tube Seal Kit	21	116-8975	2	Screw-HSH
				99	116-1373	1	Flow Test Kit ●

● Not illustrated

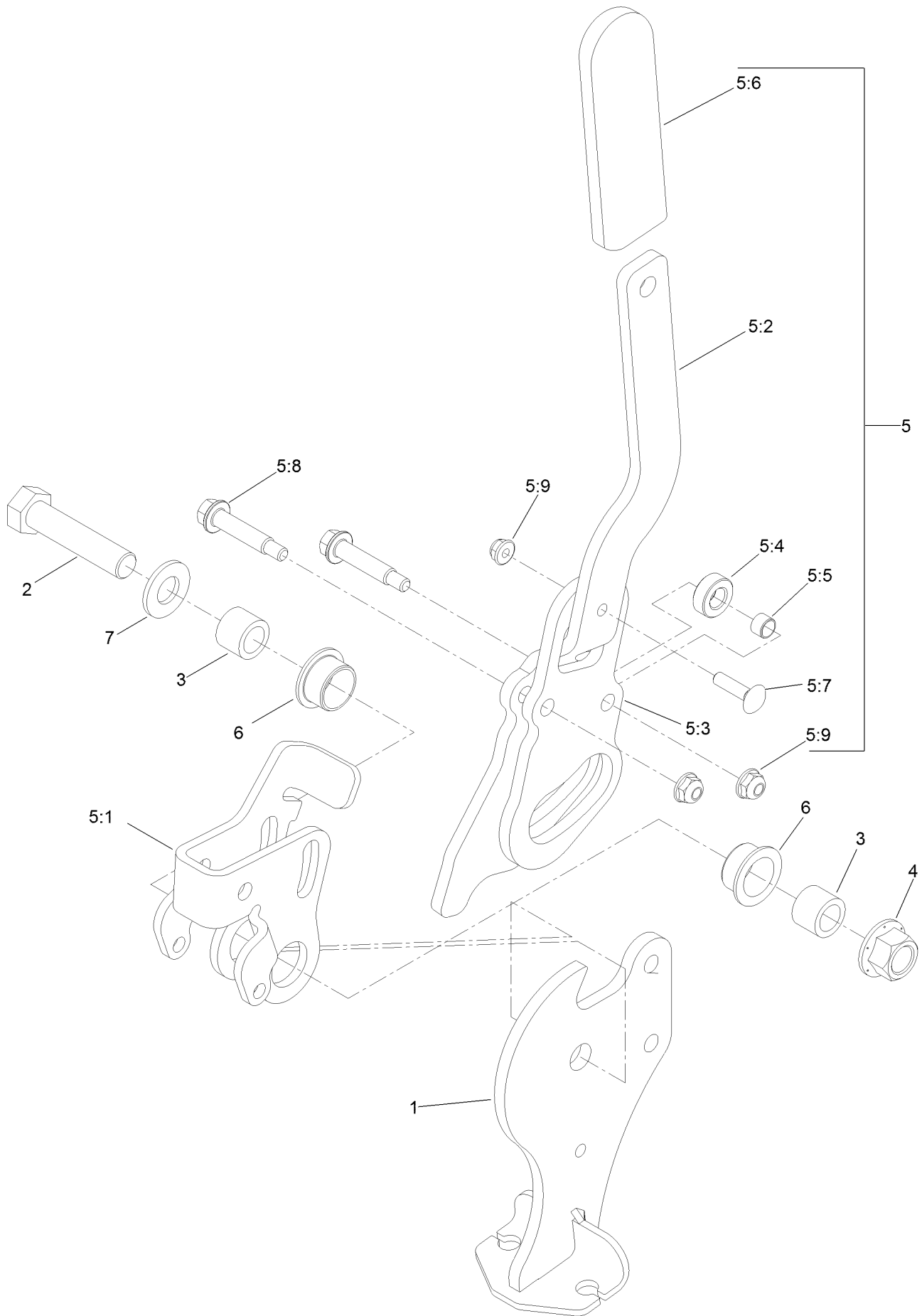
# Rear Wheel and Park Brake Assembly



## Rear Wheel and Park Brake Assembly (continued)

<i>Ref.</i>	<i>Part Number</i>	<i>Qty.</i>	<i>Description</i>	<i>Ref.</i>	<i>Part Number</i>	<i>Qty.</i>	<i>Description</i>
1	116-7551	1	Brake Handle ASM	17	116-8963	2	Cable-Brake
2	116-0629	2	Screw-CARR	18	116-1399	2	Locknut
3	82-6840	2	Spacer	19	3256-24	4	Washer-Flat
4	60-1730	2	Pin-Clevis	22	88-7970	2	Clip
5	3272-1	2	Pin-Cotter	23	3296-56	2	Nut-Lock, NI
6	116-1746	2	Wheel Hub ASM	24	116-6397	1	Bracket-Cable
6:2	116-1696	4	Stud-Wheel	25	32144-10	1	Screw-HWH
7	127-9520	2	Wheel And Tire ASM	26	32120-18	4	E-Ring
7:1	127-9517	1	Wheel	27	116-6182	2	Bracket-Brake, L
7:2	1-633993	1	Tire	28	116-6347	2	Spring-Die
7:3	232-27	1	Stem-Valve	29	3256-22	4	Washer-Flat
8	242-50	8	Nut-Lug	30	32151-86	2	E-Ring
9	109-2889	2	Caliper-Brake	31	116-6348	2	Pin-Brake
10	109-0958	2	Plate-Mount, Brake	32	3334-945	2	Tie-Cable
11	92-5727	4	Screw-Lock, Patch	33	104-8300	2	Nut-Flange, NI
14	3296-13	2	Nut-Lock, NI	34	116-0940	1	Tie-Cable
15	126-2055	2	Decal-Torque Wheel Lug-Hub				

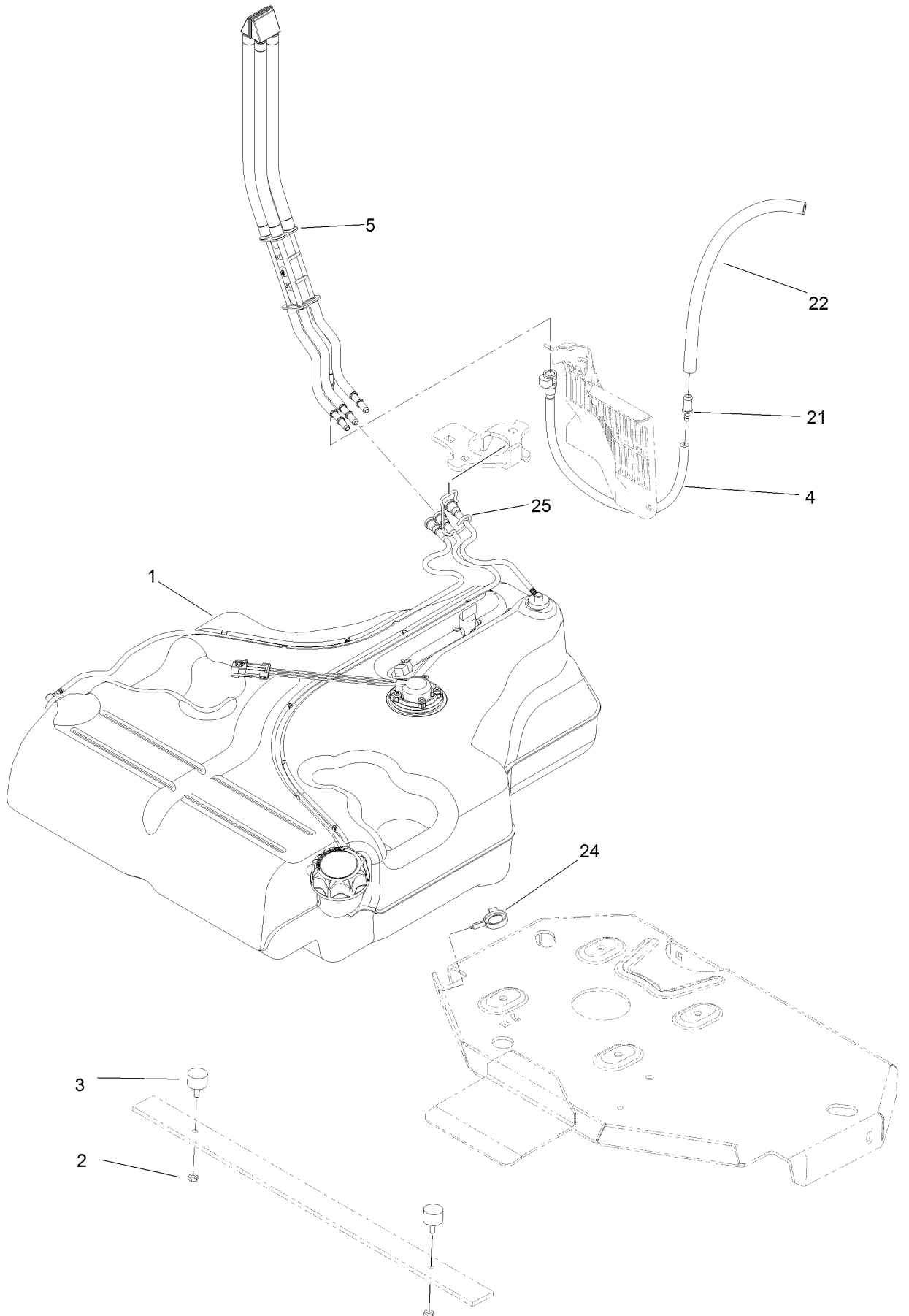
# Parking Brake Handle Assembly No. 116-7551



# Parking Brake Handle Assembly No. 116-7551 (continued)

<i>Ref.</i>	<i>Part Number</i>	<i>Qty.</i>	<i>Description</i>	<i>Ref.</i>	<i>Part Number</i>	<i>Qty.</i>	<i>Description</i>
1	116-7263	1	Pivot-Brake	5:4	116-6846	1	Roller-Brake
2	325-9	1	Screw-HH	5:5	116-6852	1	Bearing-Sleeve
3	116-5384	2	Spacer	5:6	1-633268	1	Grip-Lever
4	99-5107	1	Nut-Lock	5:7	3229-2	1	Screw-CARR
5	116-6860	1	Handle ASM	5:8	116-6876	2	Screw-Shoulder
5:1	116-6856	1	Bellcrank-Brake	5:9	104-7201	3	Nut-HF
5:2	116-6857	1	Handle-Brake	6	109-8054	2	Bushing-Flange
5:3	116-6858	1	Plate-Handle	7	3256-26	1	Washer-Flat

# Fuel Tank Mounting Assembly



## Fuel Tank Mounting Assembly (continued)

<i>Ref.</i>	<i>Part Number</i>	<i>Qty.</i>	<i>Description</i>	<i>Ref.</i>	<i>Part Number</i>	<i>Qty.</i>	<i>Description</i>
1	116-3979	1	Fuel Tank ASM	21	98-2952	1	Fitting-Straight
2	3218-1	2	Nut-Jam	22	116-5087	1	Hose-Fuel
3	116-6380	2	Bumper-Rubber (W/ Stud)	24	105-1853	1	Clamp-Hose
4	116-3977	1	Hose ASM	25	116-6005	1	Retainer-Vapor Line
5	109-9491	1	Fuel Manifold Vent ASM				

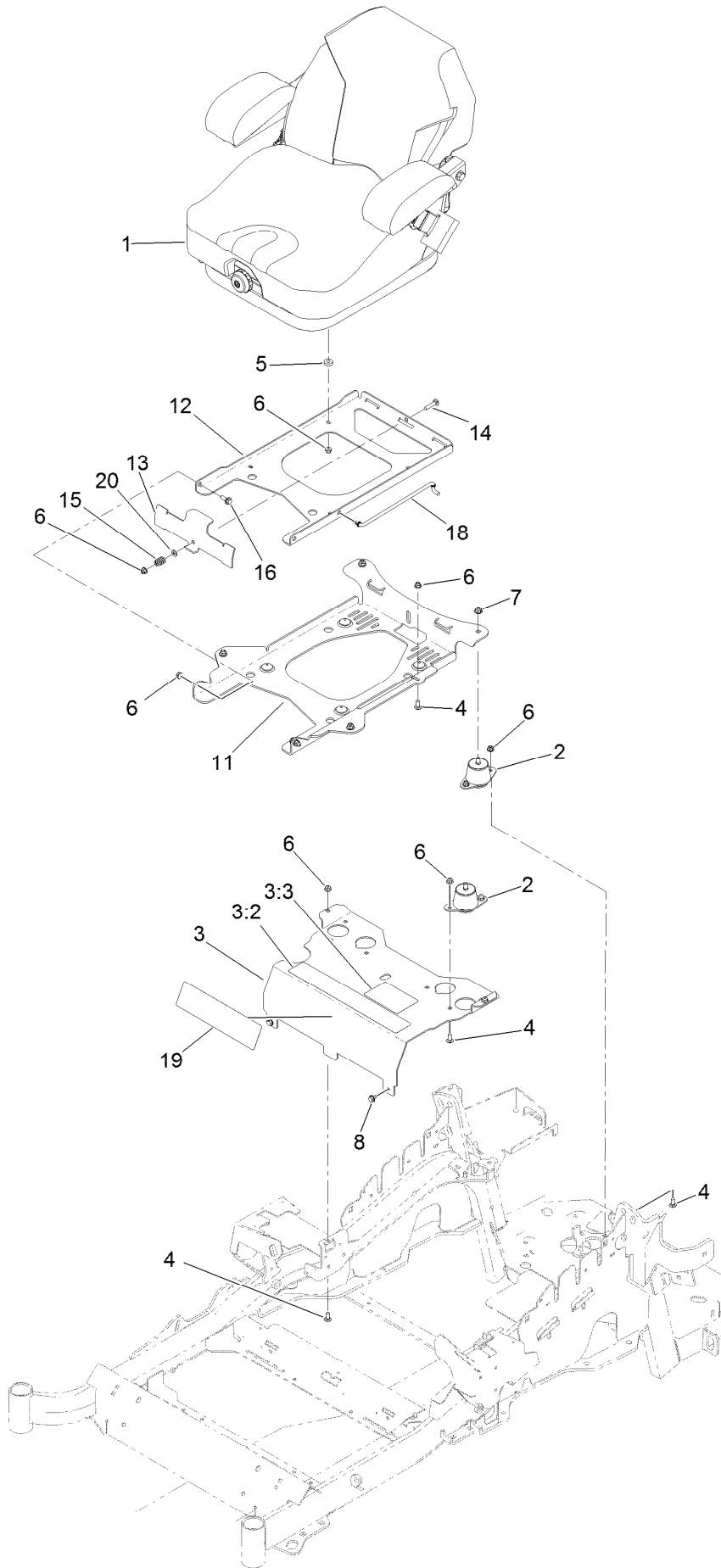




## Fuel Tank Assembly No. 116-3979 (continued)

<i>Ref.</i>	<i>Part Number</i>	<i>Qty.</i>	<i>Description</i>	<i>Ref.</i>	<i>Part Number</i>	<i>Qty.</i>	<i>Description</i>
2	46-6560	4	Bushing	8	116-2460	1	RH Vent Line Kit (With Grommet)
3	116-2459	1	Fuel Line Kit (With Grommet)	9	116-2461	1	LH Vent Line Kit (With Grommet)
3:1	46-6560	1	Bushing	10	116-2462	1	Rear Vent Line Kit (With Grommet)
4	9107944	5	Screw-Pan	11	1-603770	1	Valve-Fuel
5	3253-17	5	Washer-Lock	12	2412-98	2	Clamp-Hose
6	116-0003	1	Sender-Fuel Level	13	109-0650	1	Hose-Fuel
6:1	109-9620	1	Gasket-Sender, Fuel				
7	126-1789	1	Cap-Fuel, Ratcheting				

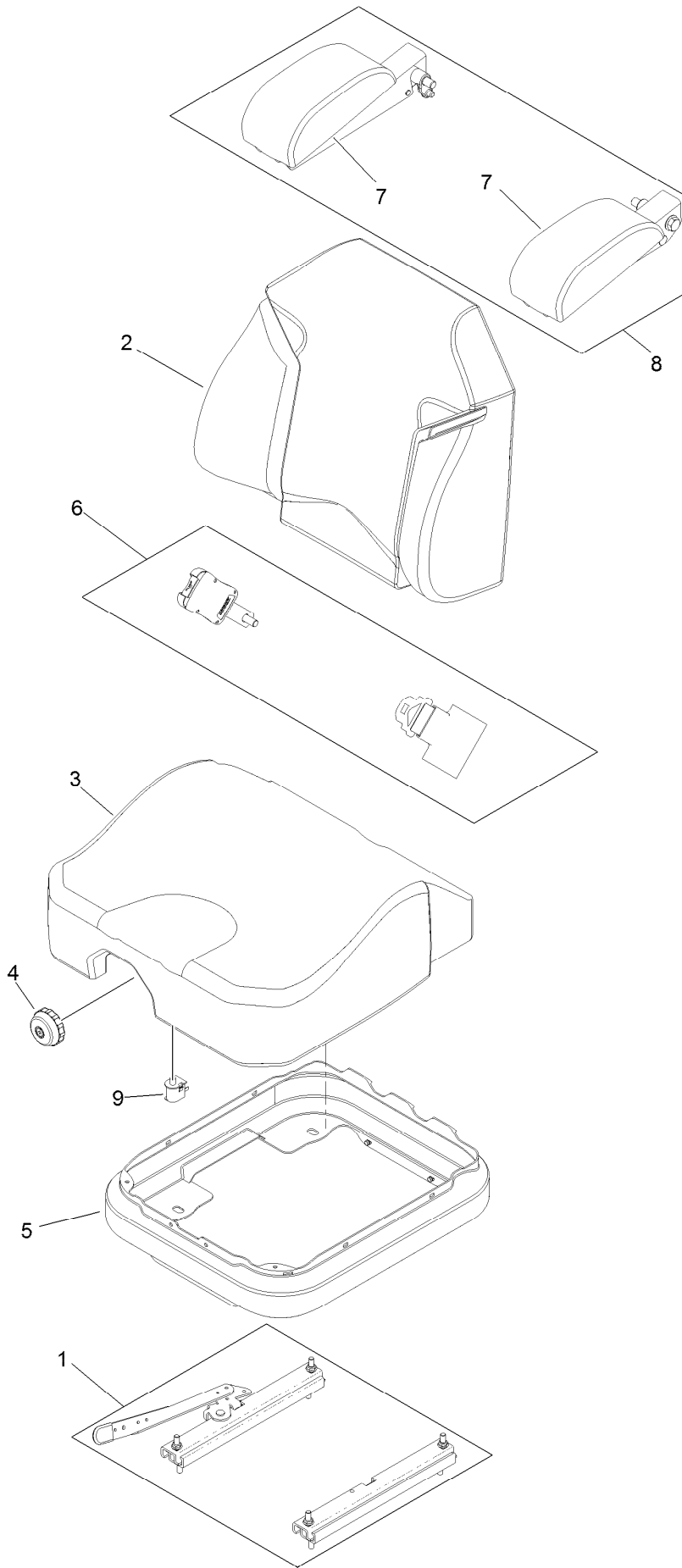
# Seat Mount Assembly



## Seat Mount Assembly (continued)

<i>Ref.</i>	<i>Part Number</i>	<i>Qty.</i>	<i>Description</i>	<i>Ref.</i>	<i>Part Number</i>	<i>Qty.</i>	<i>Description</i>
1	125-3107	1	Suspension Seat ASM	11	116-3860-03	1	Plate-Tilt, Seat Support
2	109-9034	4	Isolator-Seat	12	116-3859-03	1	Plate-Seat, Frame
3	125-9385	1	Seat Mount ASM	13	109-9881-03	1	Plate-Latch, Seat
3:2	109-7069	1	Decal-Console	14	3230-4	1	Screw-CARR
3:3	125-9382	1	Decal-Service Aid	15	107-3017	1	Spring-Compression
4	3230-23	11	Screw-CARR	16	116-1297	2	Screw-Shoulder
5	26-4840	4	Spacer-Pin, Mounting	18	116-0070	1	Rod-Prop
6	104-8300	18	Nut-Flange, NI	19	120-5893	1	Decal
7	104-8301	4	Nut-Flange, NI	20	3256-23	1	Washer-Flat
8	9266934	2	Screw				

# Seat Assembly No. 125-3107



## Seat Assembly No. 125-3107 (continued)

<i>Ref.</i>	<i>Part Number</i>	<i>Qty.</i>	<i>Description</i>
1	116-8910	1	Seat Track Set
2	125-3112	1	Cover-Back
3	125-3111	1	Cover-Cushion
4	116-8911	1	Knob-Adjuster
5	116-5659	1	Cover-Suspension Bellows

<i>Ref.</i>	<i>Part Number</i>	<i>Qty.</i>	<i>Description</i>
6	109-9805	1	Seat Belt Kit
7	109-9802	1	Arm Rest Pad Set
8	109-9803	1	Arm Rest Set
9	82-2190	1	Switch-Bail

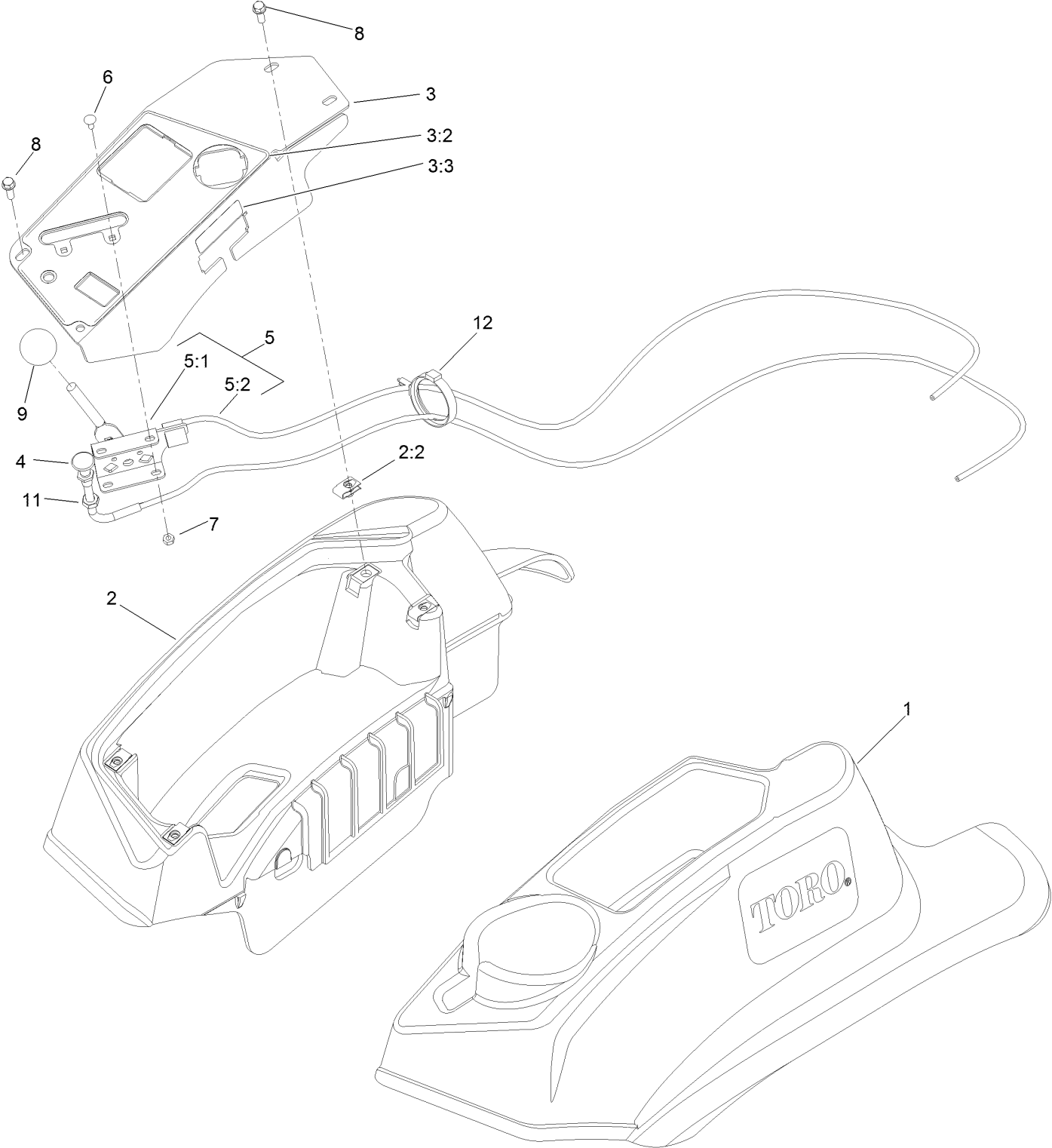


## Motion Control Assembly (continued)

<i>Ref.</i>	<i>Part Number</i>	<i>Qty.</i>	<i>Description</i>	<i>Ref.</i>	<i>Part Number</i>	<i>Qty.</i>	<i>Description</i>
1	116-0880	1	RH Motion Control And Bushing ASM	14	109-6589	1	RH Steering Handle ASM
1:2	109-8054	4	Bushing-Flange	14:1	109-5668	1	Grip-Control, Lever
2	116-0881	1	LH Motion Control And Bushing ASM	15	109-6590	1	LH Steering Handle ASM
2:2	109-8054	4	Bushing-Flange	15:1	109-5668	1	Grip-Control, Lever
3	116-0648	2	Screw-HH, Thread Locking ●	16	104-8301	4	Nut-Flange, NI
4	109-4581	2	Arm-Control, Pump	17	323-7	4	Screw-HH
5	9080046	2	Screw-HH ●	18	109-5575	2	Spring-Leaf
6	1-303435	2	Washer-Spring	19	109-8106	2	Front Pump Linkage ASM
7	116-0027	2	Damper-Control, Motion	19:2	3219-2	2	Nut-Hex
8	104-8300	8	Nut-Flange, NI	19:3	1-323245	2	Spring-Compression
9	3230-2	2	Bolt-CARR	19:4	1-633152	1	Balljoint-LH
10	109-5891	2	Hub-Threaded	19:5	1-543017	1	Balljoint-RH
11	325-12	2	Screw-HH	20	109-9505	4	Washer-Spring
12	116-0039	1	Lever-Control Motion, RH	21	3256-6	2	Washer-Flat
13	116-0040	1	Lever-Control Motion, LH	22	32128-56	2	Nut-HF
				23	3256-23	2	Washer-Flat
				24	3218-5	2	Nut-Jam
				25	115-1794	2	Screw-HHF

● Use Pro-Lock, Nut Type (P/N 1-840022, .5ml tube) on threads.

# Fender, Console and Control Assembly

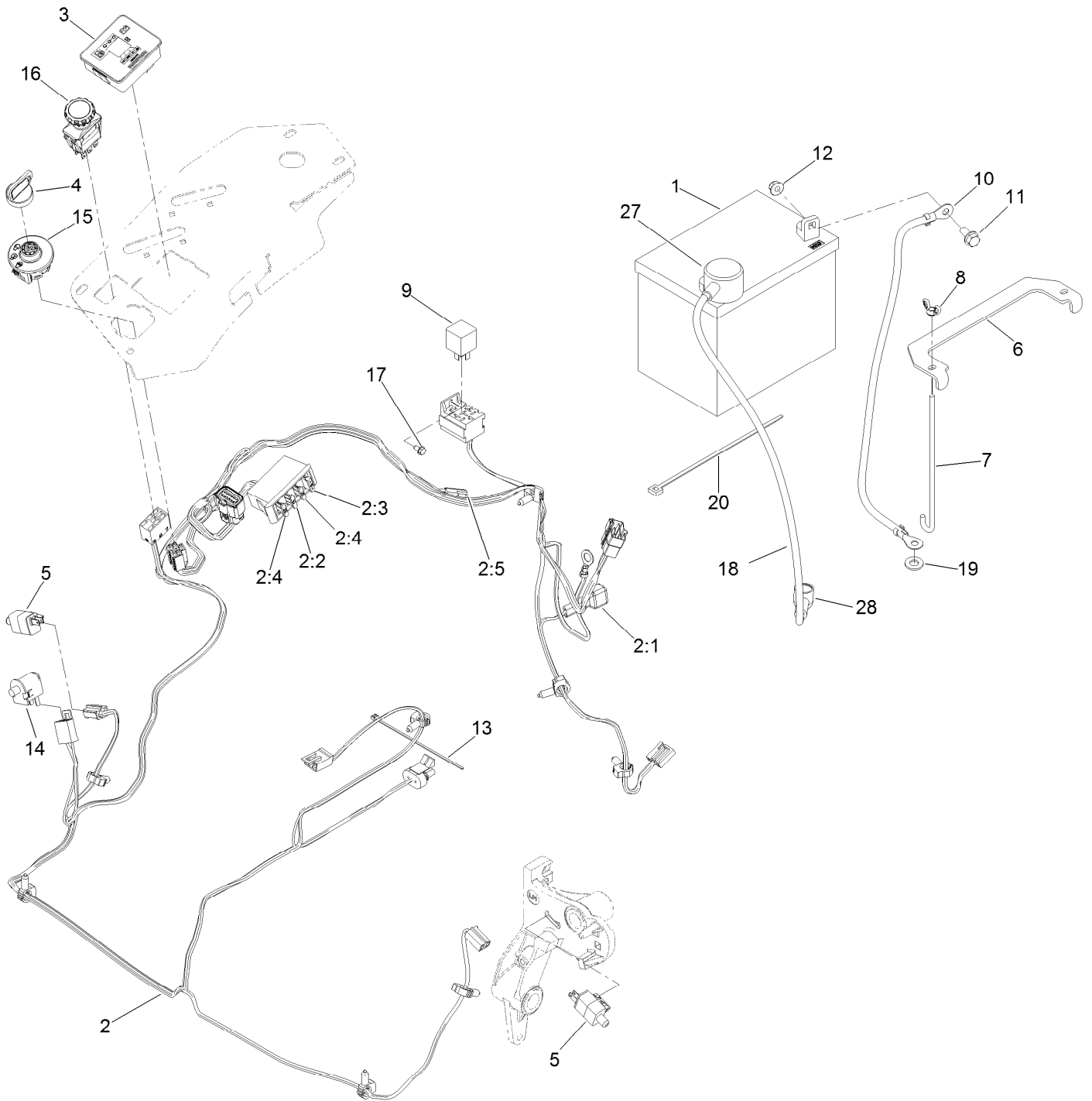




## Fender, Console and Control Assembly (continued)

<i>Ref.</i>	<i>Part Number</i>	<i>Qty.</i>	<i>Description</i>	<i>Ref.</i>	<i>Part Number</i>	<i>Qty.</i>	<i>Description</i>
1	119-2602	1	LH Console ASM	5:1	112-2334	1	Lever-Throttle
2	119-2603	1	RH Console ASM	5:2	115-3868	1	Cable-Throttle
2:2	107069	4	Clip	6	1-807513	2	Bolt-CARR
3	119-6663	1	Control Panel ASM	7	3296-2	2	Nut-Lock, NI
3:2	121-7551	1	Decal-Control Panel	8	32105-15	4	Screw-HWH
3:3	114-4466	1	Decal-Fuses	9	1-603175	1	Knob-Ball
4	115-2756	1	Choke Control ASM	11	3220-3	1	Nut-HJ
5	115-2752	1	Throttle Control ASM	12	117-7817	1	Clamp-Harness

# Electrical Assembly

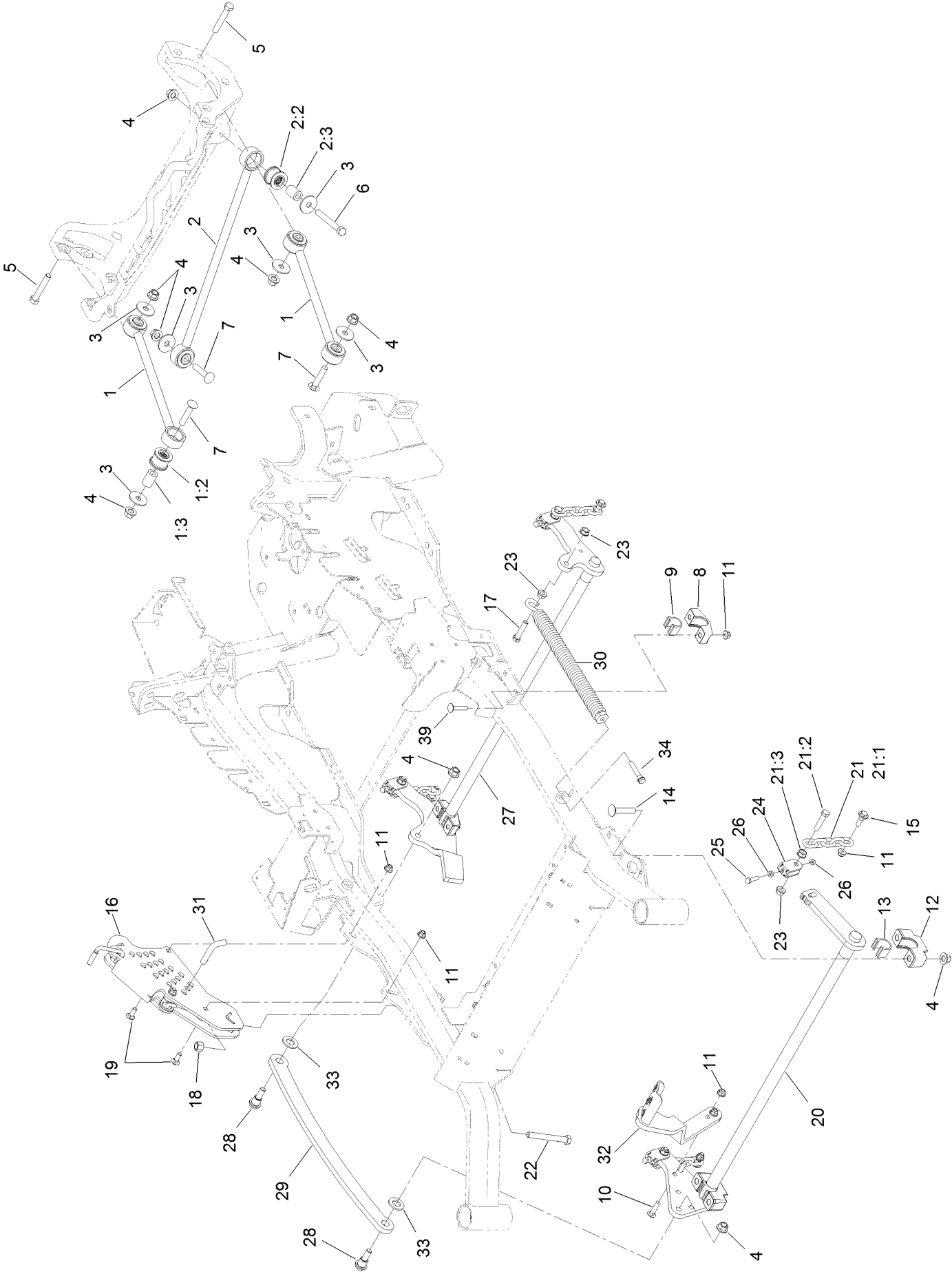


## Electrical Assembly (continued)

<i>Ref.</i>	<i>Part Number</i>	<i>Qty.</i>	<i>Description</i>	<i>Ref.</i>	<i>Part Number</i>	<i>Qty.</i>	<i>Description</i>
1	104-8162	1	Battery-Dry	10	114-1218	1	Cable-Battery, Negative
2	116-6009	1	Harness-Wire, Main ●	11	3234-5	2	Screw-HHF
2:1	103-3895	1	Diode-Tvs	12	104-8300	2	Nut-Flange, NI
2:2	218-578	1	Fuse-Blade, 10 Amp	13	1-303287	3	Tie-Cable
2:3	109355	1	Fuse-Blade, 15 Amp	14	82-2190	1	Switch-Bail
2:4	109102	2	Fuse-Blade, 25 Amp	15	117-2221	1	Switch-Ignition
2:5	116-0053	1	Cap-Plug	16	116-0124	1	Switch-PTO, 10A
3	117-3882	1	Fuel/Hour Meter ASM	17	104-2065	1	Screw-HWH
4	63-8360	1	Key-Ignition	18	115-3864	1	Cable-Battery, Positive
5	110-6765	2	Switch-Single Pole No	19	3256-24	1	Washer-Flat
6	116-0042-03	1	Strap-Tie Down, Battery	20	1-303335	1	Tie-Plastic
7	1-633651	2	Bolt-Holddown	27	109-2407	1	Insulator-Battery
8	1-543792	2	Wingnut	28	1-543393	1	Insulator-Solenoid
9	1-643275	1	Relay				

● Use dielectric grease on all unsealed connectors and terminals only. Do not apply in sealed connectors.

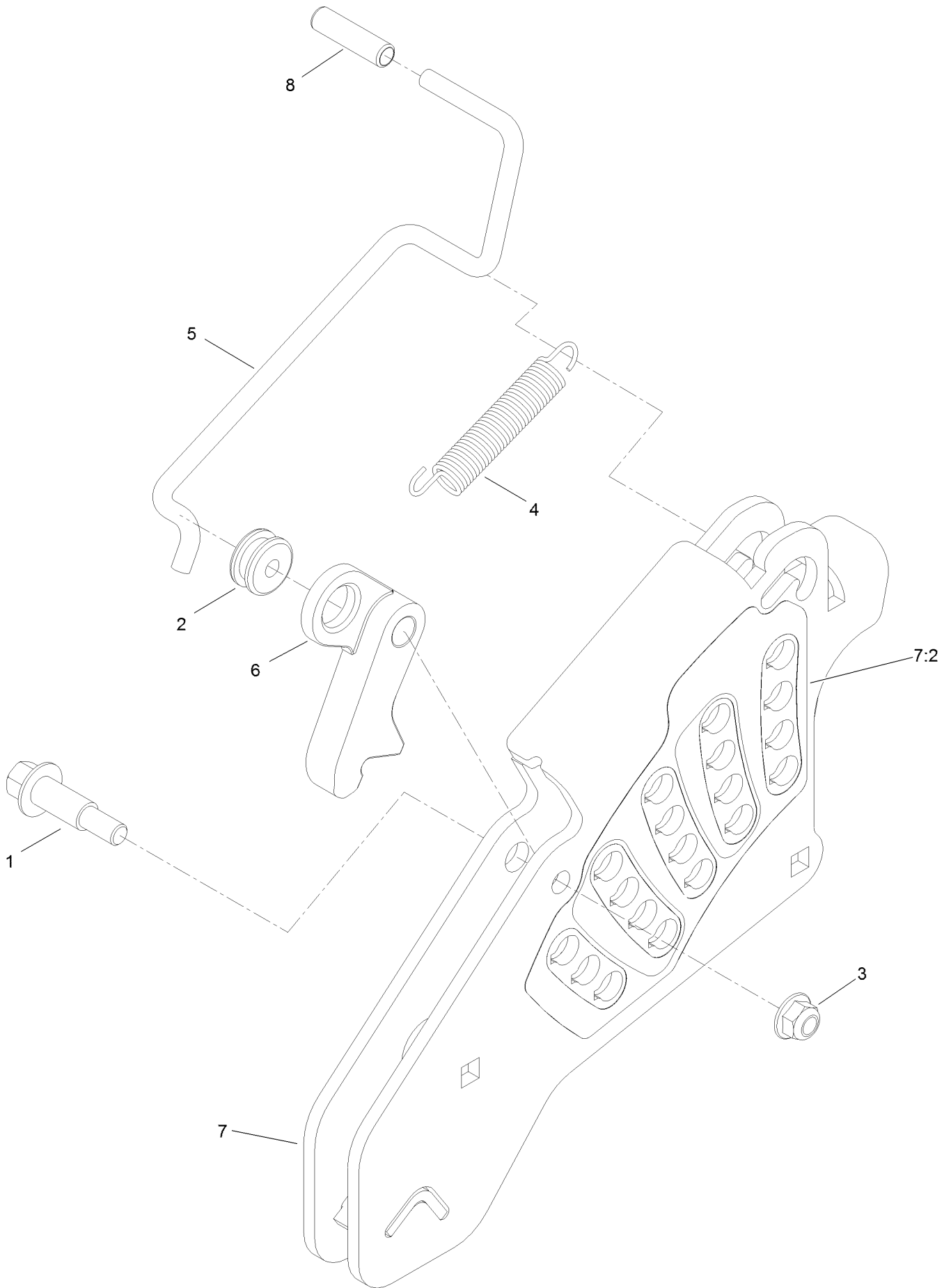
# Decklift Assembly



## Decklift Assembly (continued)

<i>Ref.</i>	<i>Part Number</i>	<i>Qty.</i>	<i>Description</i>	<i>Ref.</i>	<i>Part Number</i>	<i>Qty.</i>	<i>Description</i>
1	109-7952	2	Deck Strut ASM	16	109-7438	1	HOC ASM
1:2	109-5009	2	Bushing-Suspension, Rubber	17	109-9065	1	Screw-HH
1:3	109-5010	2	Spacer	18	3296-23	1	Nut-Lock, NI
2	109-5013	1	Panhard Rod ASM	19	3231-2	2	Bolt-CARR
2:2	109-5009	2	Bushing-Suspension, Rubber	20	116-2217-03	1	Cross Shaft-Front
2:3	109-5010	2	Spacer	21	116-0756	4	Deck Lift Chain ASM
3	86-1990	6	Washer-Thrust	21:1	1-633447	1	Chain-Lift, Deck
4	99-5107	12	Nut-Lock	21:2	109-9065	1	Screw-HH
5	325-12	2	Screw-HH	21:3	32128-37	1	Nut-HF
6	325-17	1	Screw-HH	22	116-0559	1	Bolt-TAP
7	3233-34	3	Screw-CARR	23	32128-37	6	Nut-HF
8	116-0818-03	2	Support-Cross Shaft, Rear Bearing	24	109-9066	4	Yoke-Adjust, Deck
9	109-7173	2	Bearing-Cross Shaft, Rear	25	322-47	4	Screw-HH
10	3231-4	2	Screw-CARR	26	3218-2	8	Nut-Jam
11	104-8301	12	Nut-Flange, NI	27	116-0459-03	1	Lift-Deck, Rear
12	109-9409	2	Support-Cross Shaft, Front Bearing	28	116-0780	2	Screw-HHF, Shoulder
13	109-9410	2	Bearing-Cross Shaft, Front	29	116-0797-03	1	Link-Lift, Deck
14	116-1700	4	Bolt-CARR	30	116-0000	1	Extension Spring ASM
15	109-9840	4	Screw-Shoulder, HHF	31	116-5584	1	Pin-HOC
				32	116-1919-01	1	Lever-Foot
				33	3256-28	2	Washer-Flat
				34	92-7674	1	Bolt-Shoulder
				39	3231-5	4	Screw-CARR

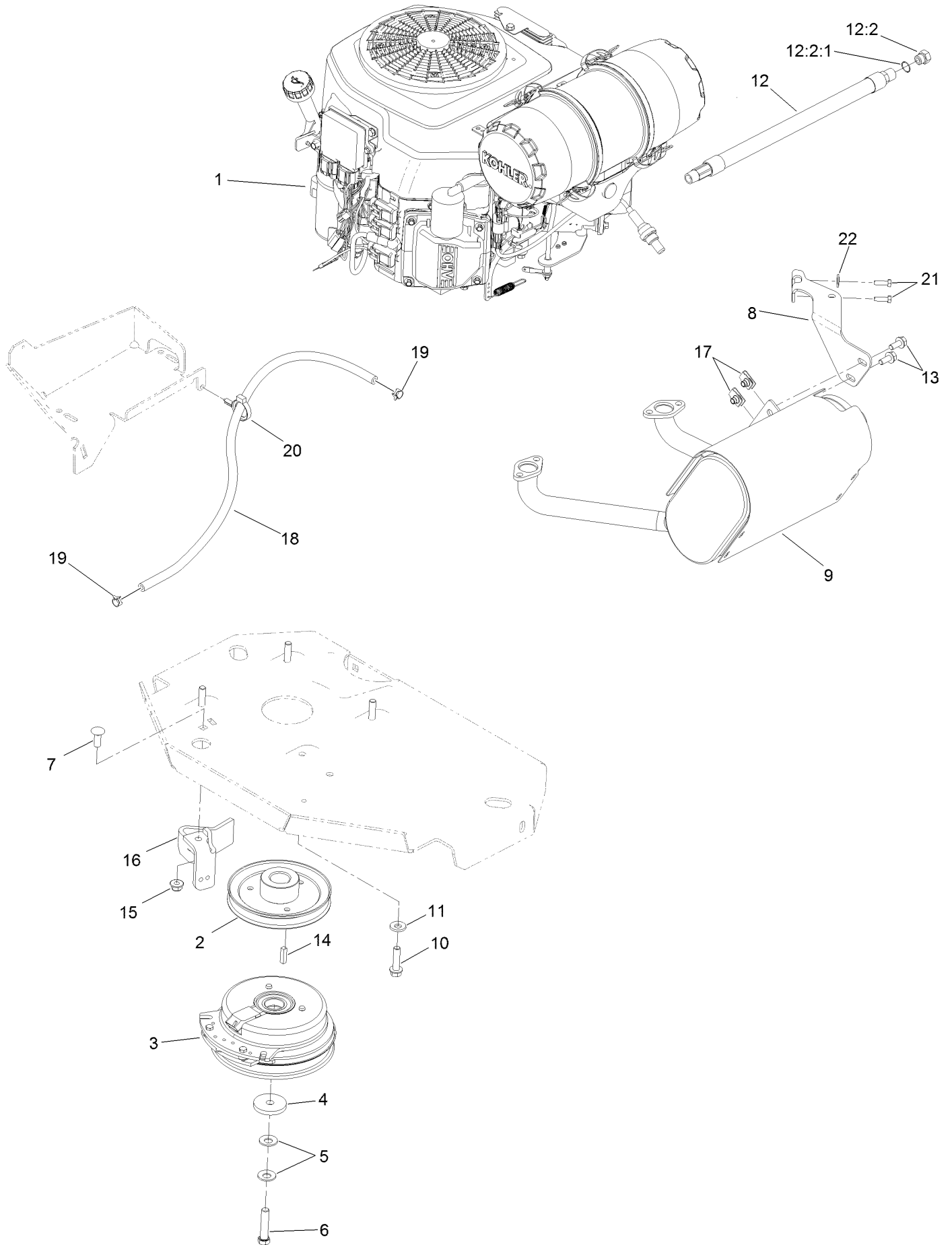
# Height-of-Cut Assembly No. 109-7438



# Height-of-Cut Assembly No. 109-7438 (continued)

<i>Ref.</i>	<i>Part Number</i>	<i>Qty.</i>	<i>Description</i>	<i>Ref.</i>	<i>Part Number</i>	<i>Qty.</i>	<i>Description</i>
1	62-1330	1	Bolt-Shoulder	6	116-0118	1	Pawl-Transport, HOC
2	109-7130	1	Grommet	7	109-7335	1	HOC Plate ASM
3	104-8301	1	Nut-Flange, NI	7:2	116-0752	1	Decal-HOC
4	109-7124	1	Spring-Extension	8	109-8250	1	Grip-Lever
5	109-7128	1	Rod-Lock, Transport				

# Engine, Clutch and Muffler Assembly





## Engine, Clutch and Muffler Assembly (continued)

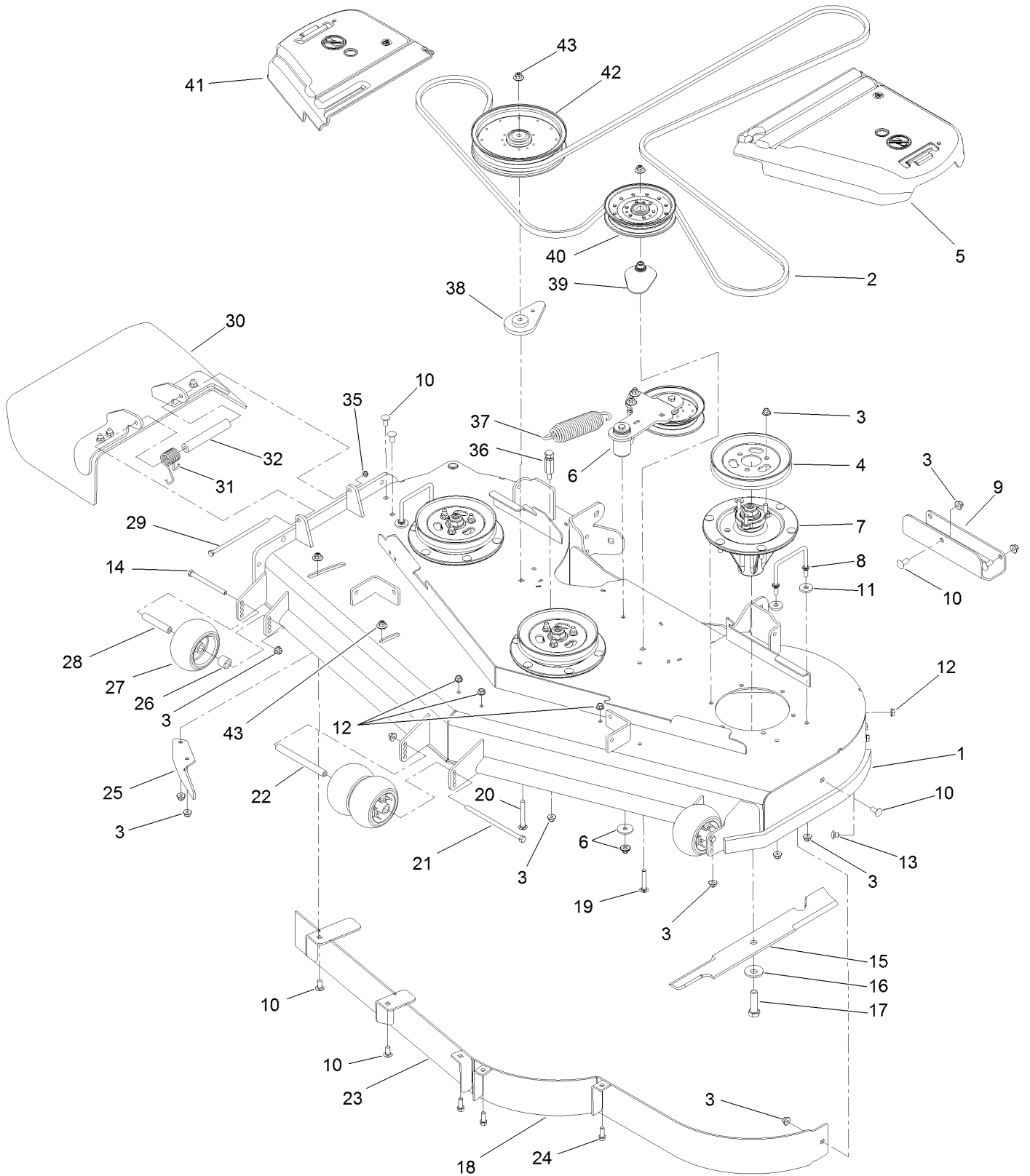
<i>Ref.</i>	<i>Part Number</i>	<i>Qty.</i>	<i>Description</i>	<i>Ref.</i>	<i>Part Number</i>	<i>Qty.</i>	<i>Description</i>
1		1	Engine-Kohler ●■	12:2	353-508	1	Plug-HH
2	109-9905	1	Sheave	12:2:1	237-42	1	O-Ring
3	116-1620	1	Clutch Kit	13	3234-5	2	Screw-HHF
4	109-6919	1	Washer-Clutch	14	1-807259	1	Key
5	1-603610	2	Washer-Spring	15	104-8301	1	Nut-Flange, NI
6	109-9762	1	Screw-HH W/Loctite ▲	16	116-2612-01	1	Clutch-Anchor
7	3231-22	1	Screw-CARR	17	94-2413	2	U-Nut
8	116-4297	1	Muffler Bracket Kit	18	109-0286	1	Hose-Fuel
9	116-1713	1	Muffler	19	2412-98	2	Clamp-Hose
10	32144-102	4	Screw-HWH	20	104-2490	1	Clamp-Hose
11	98-5975	4	Washer-Belleville	21	116-4295	2	Screw-HH
12	116-5316	1	Oil Drain Hose ASM	22	1-303435	2	Washer-Spring

● Not serviced separately

▲ Use Pro-Lock, Nut Type (P/N 1-840022, .5ml tube) on threads.

■ Obtain parts from [www.kohlerplus.com](http://www.kohlerplus.com)

# Deck Assembly

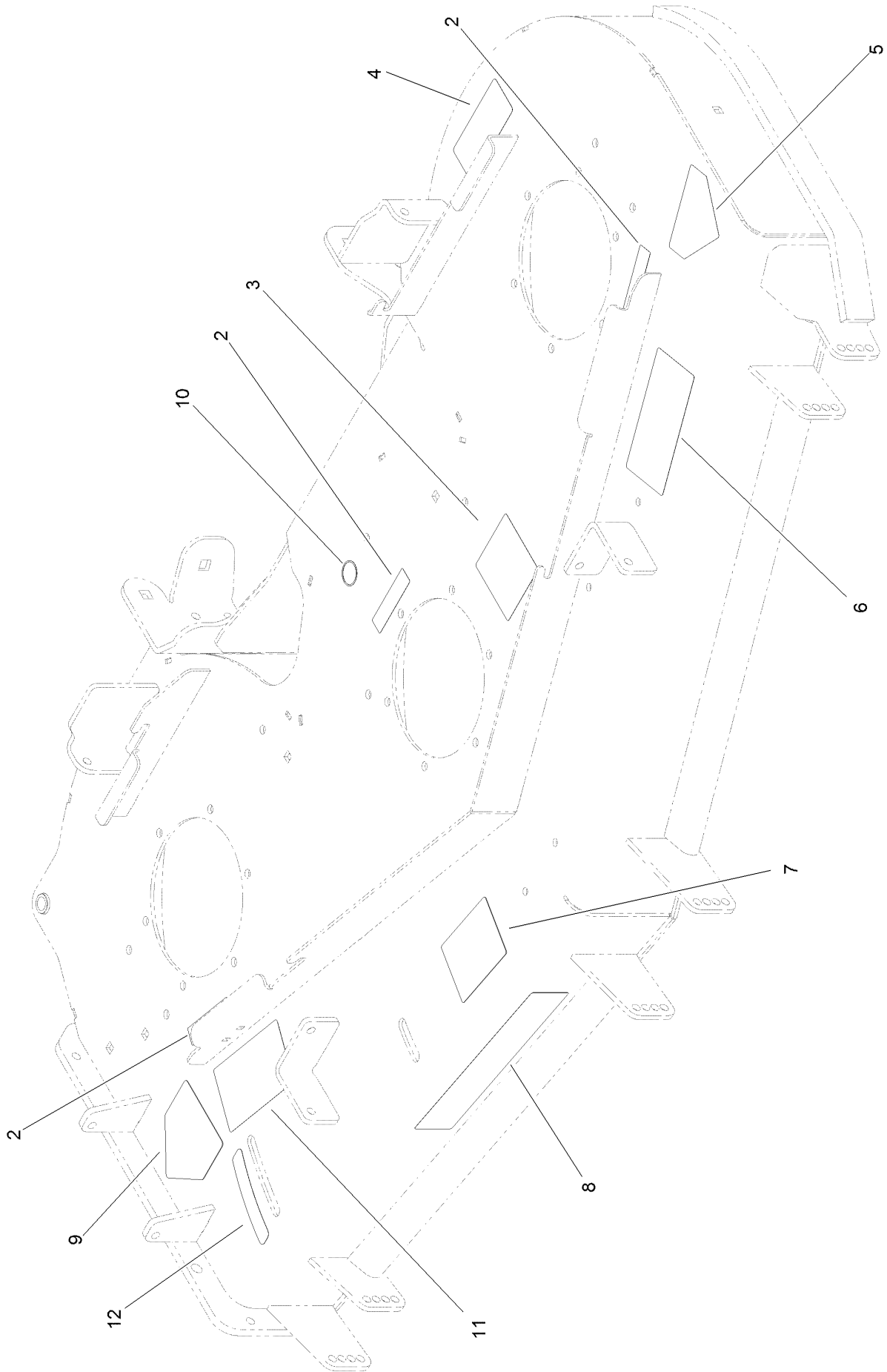


## Deck Assembly (continued)

<i>Ref.</i>	<i>Part Number</i>	<i>Qty.</i>	<i>Description</i>	<i>Ref.</i>	<i>Part Number</i>	<i>Qty.</i>	<i>Description</i>
1	114-5815	1	Deck Decal ASM	22	98-5967	1	Spacer-Wheel
2	114-5858	1	Belt-V	23	115-7465-01	1	Baffle
3	104-8301	42	Nut-Flange, NI	24	92-1624	3	Screw-HWH
4	105-7734	3	Pulley	25	106-3216-01	1	Baffle-Discharge
5	109-6938	1	Cover-Belt, LH	26	98-7913	2	Tube-Spacer
6		1	Idler Arm ASM ●	27	1-603299	4	Roller-Scalp, Anti
7	119-8560	3	Spindle ASM	28	98-7912	2	Tube-Spanner
8	109-6982	2	Wireform-Cover	29	322-50	1	Screw-HH
9	121-8031-01	1	Plate-Skid	30	108-2792	1	Rubber Deflector ASM
10	3231-27	9	Screw-CARR	31	108-4052	1	Spring-Torsion
11	1-373034	4	Washer	32	105-4622	1	Spacer
12	3290-357	6	Nut-HHF, Whiz	35	3296-47	1	Nut-Lock, NI
13	108-5387	3	Screw-CARR	36	114-5867	1	Anchor-Spring, Tall
14	323-23	2	Screw-HH	37	116-6317	1	Spring-Extension
15	105-7718-03	3	Blade-Hi Flow	38	109-9416	1	Spacer-Idler
16	103-0865	3	Washer-Blade Bolt, Heavy	39	109-2872	1	Spacer-Pulley
17	51-4060	3	Screw-Blade	40	116-4670	1	Pulley-Idler, Flat
18	114-5842-01	1	Baffle	41	116-0094	1	Cover-Belt, RH
19	3231-40	1	Bolt-CARR, Short Neck	42	109-8590	1	Pulley-Idler
20	3231-42	1	Screw-CARR	43	109-6658	4	Nut-Flange, NI
21	108-5388	1	Screw-HH				

● Not serviced separately

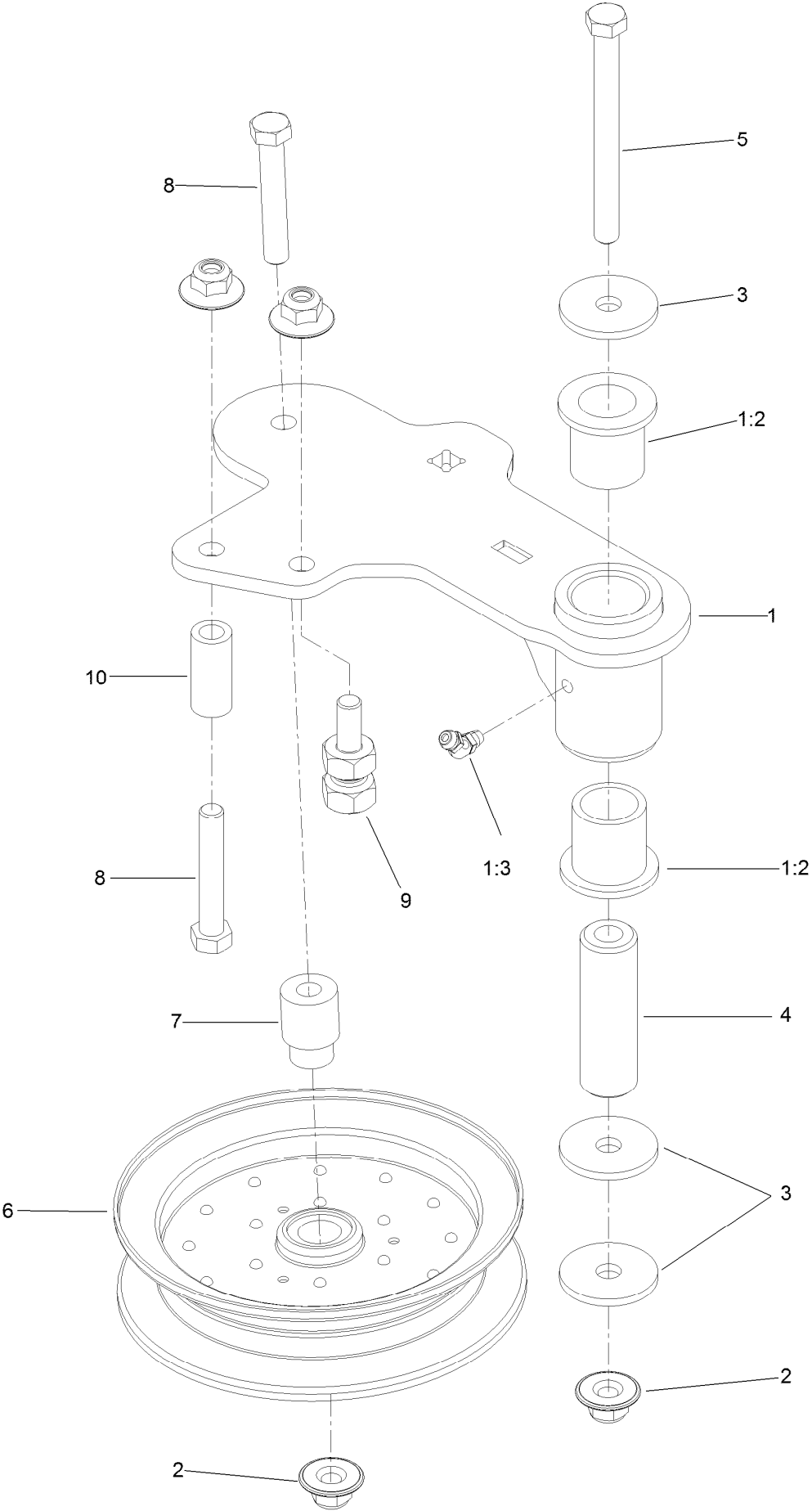
# Deck Decal Assembly No. 114-5815



## Deck Decal Assembly No. 114-5815 (continued)

<i>Ref.</i>	<i>Part Number</i>	<i>Qty.</i>	<i>Description</i>	<i>Ref.</i>	<i>Part Number</i>	<i>Qty.</i>	<i>Description</i>
2	98-5954	3	Decal-Missing Cover	7	105-7798	1	Decal-Scalp, Anti
3	115-7445	1	Decal-Routing, Deck Belt	8	107-1619	1	Decal
4	68-8340	1	Decal-Torque	9	54-9220	1	Decal-Danger
5	1-403005	1	Decal-Danger	10	58-6520	1	Decal-Grease
6	66-1340	1	Decal-Danger, Thrown Object	11	110-2068	1	Decal-Adjustment, Baffle
				12	110-2067	1	Decal-Setting, Baffle

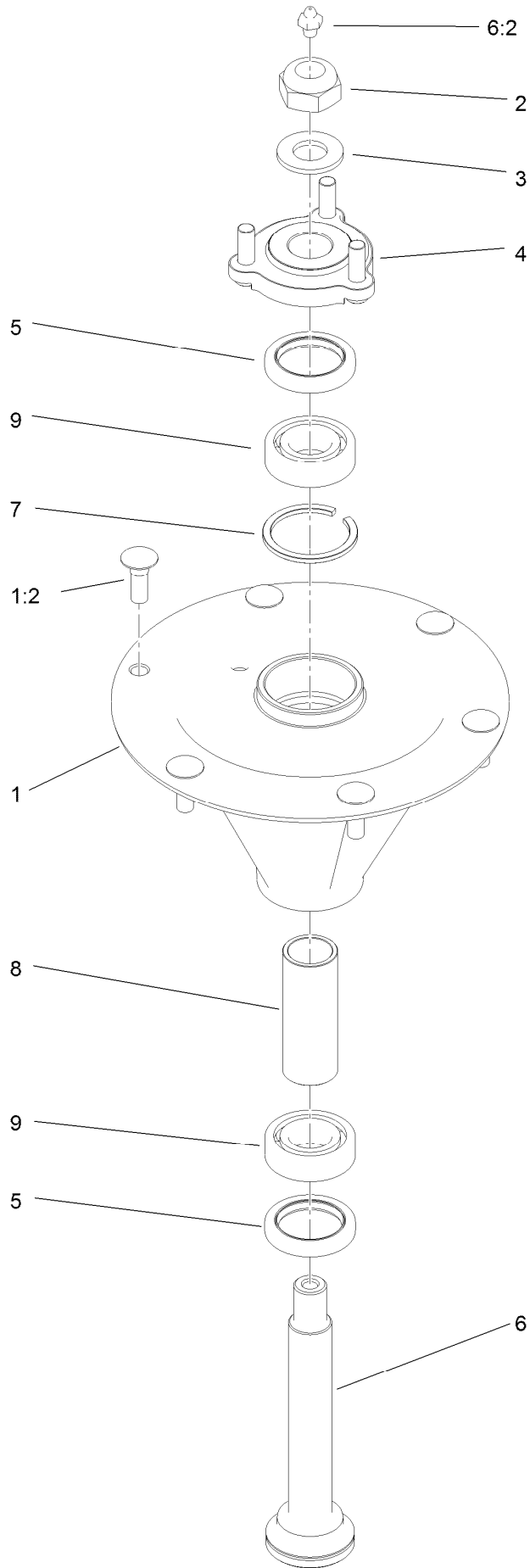
# Idler Assembly



## Idler Assembly (continued)

<i>Ref.</i>	<i>Part Number</i>	<i>Qty.</i>	<i>Description</i>	<i>Ref.</i>	<i>Part Number</i>	<i>Qty.</i>	<i>Description</i>
1	114-5870	1	Idler Arm ASM	5	98-5961	1	Screw-HH
1:2	1-303514	2	Bearing-Flanged	6	116-4668	1	Idler-Pulley, Flanged
1:3	1481	1	Fitting-Grease	7	112-4212	1	Mount-Pulley
2	109-6658	4	Nut-Flange, NI	8	323-11	2	Screw-HH
3	1-213069	3	Washer	9	114-5866	1	Anchor-Spring, Short
4	114-5848	1	Spacer-Plain	10	104-0151	1	Spacer

# Spindle Assembly No. 119-8560



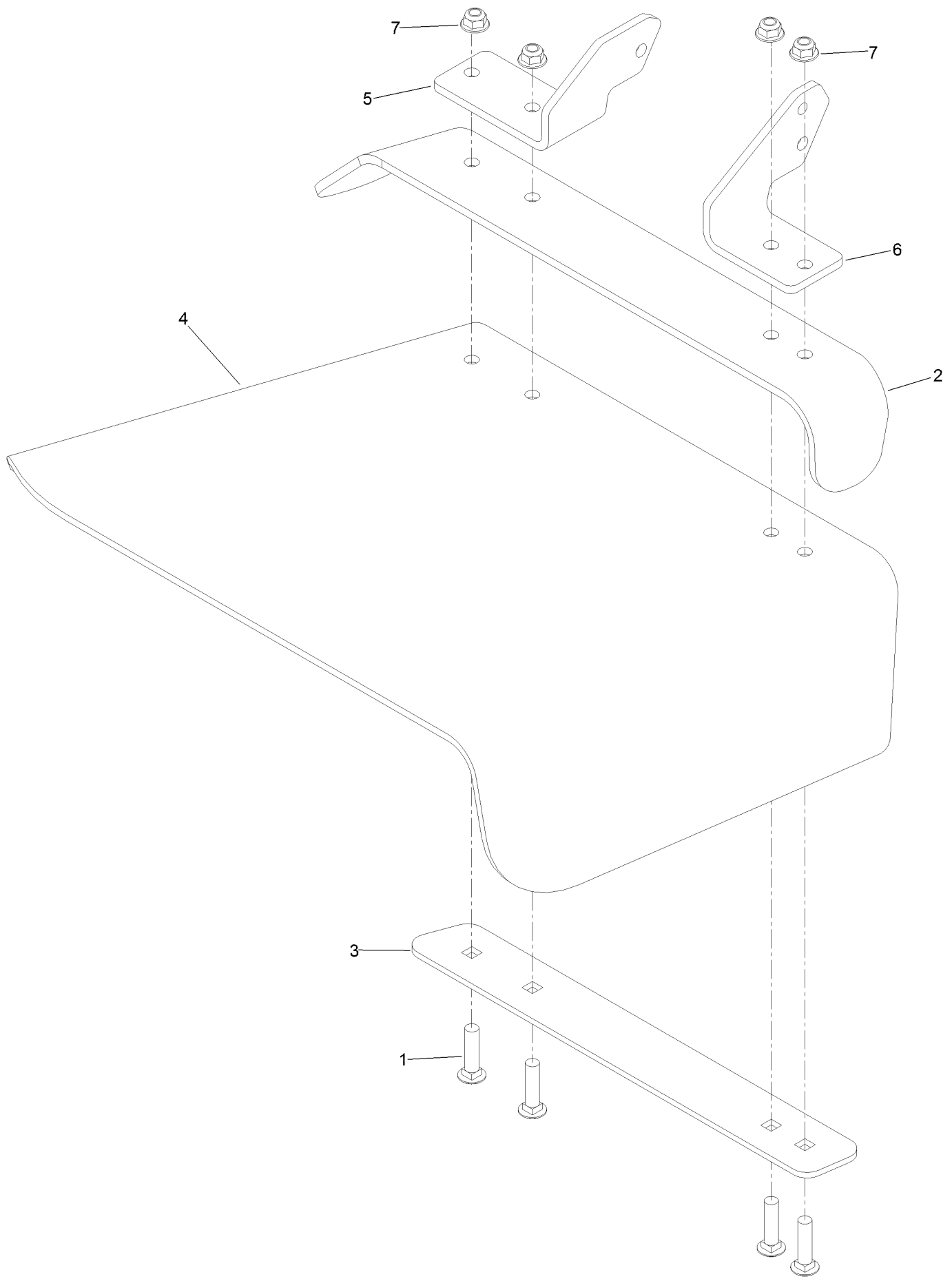


## Spindle Assembly No. 119-8560 (continued)

<i>Ref.</i>	<i>Part Number</i>	<i>Qty.</i>	<i>Description</i>	<i>Ref.</i>	<i>Part Number</i>	<i>Qty.</i>	<i>Description</i>
1		1	Spindle Housing And Studs ASM ●	5	253-133	2	Seal-Oil
1:2	114-8195	6	Bolt-Ribbed Neck	6	119-8527	1	Shaft-Spindle
2	3296-67	1	Nut-Lock, NI	6:2	302-2	1	Fitting-Grease
3	92-5836	1	Washer	7	119-8532	1	Snap Ring
4	117-6172	1	Spindle Hub ASM	8	117-6184	1	Spacer
				9	119-8558	2	Bearing-Noseal

● Not serviced separately

# Rubber Deflector Assembly No. 108-2792



# Rubber Deflector Assembly No. 108-2792 (continued)

<i>Ref.</i>	<i>Part Number</i>	<i>Qty.</i>	<i>Description</i>	<i>Ref.</i>	<i>Part Number</i>	<i>Qty.</i>	<i>Description</i>
1	3231-4	4	Screw-CARR	5	108-4059-01	1	Plate-Hinge, Rear
2	106-3246-01	1	Deflector	6	106-3253-01	1	Plate-Hinge, Front
3	106-3248-03	1	Strap-Discharge	7	104-8301	4	Nut-Flange, NI
4	108-5029	1	Deflector-Rubber				

# Attachments and Accessories

## For 74915 Z Master Professional 5000 Series Riding Mower with 60in TURBO FORCE Side Discharge Mower

<b>Product Name</b>	<b>Model/Part</b>
Blade-Mid Flow, 20.5in .....	105-7715-03
Blade-Lo Flow, 20.5in .....	105-7716-03
Blade-Hi Flow, 20.5in.....	105-7718-03
Blade-Recycler, 20.5in.....	105-7777-03
Blade-Atomic, 20.5in .....	105-8777-03
Turbo Baffle Kit .....	107-1634
6 Pack Blade, 20.5in Hi-Flow .....	108-1114
6 Pack-Blade, 20.5in Atomic.....	108-1115
6 Pack Blade, 20.5in Mid-Flow .....	108-1123
6 Pack-Blade, 20.5in Lo Flow .....	108-1128
Anti-Scalp Kit (Trim Side).....	108-4140
Hitch Kit .....	109-9487
6 Pack-Blade, 20.5in Recycler.....	110-0405
Hypr-Oil 500 (quart).....	114-4713
Hypr-Oil 500 (gallon).....	114-4714
Hypr-Oil 500-5 (5 gallon).....	114-4715
Bimini Folding Shade Assembly .....	115-4510
Recycler Kit .....	115-7468
Roller Striper Kit.....	115-7470
Light Kit.....	116-1154
Operator-Controlled Discharge Chute Kit .....	117-3600
Deluxe Suspension Seat Kit .....	117-6174
Z Stand Kit.....	121-4811
Deluxe Seat Kit.....	121-7595
Seat Tilt Frame And Iso Mount Kit.....	121-7596
MVP Belt and Blade Kit.....	127-1639
Toro Deluxe Rider Cover.....	490-7319
Spark Arrestor Screen .....	75-6880
Blower and Drive Kit .....	78553
E-Z Vac Triple Bagging System .....	78563
E-Z Vac DFS Collection System .....	78567
Filter Minder Gauge .....	99-4664
Trash Holder Kit.....	TC26

**Notes:**

**Notes:**

**Notes:**



**Count on it.**