



**Count on it.**

**Parts Catalog**

**TimeCutter® SS 5000 Riding  
Mower**

Model No. 74631—Serial No. 313000001 and Up



# Ordering Replacement Parts

To order replacement parts, please supply the part number, the quantity, and the description of each part desired.

## Understanding Reference Numbers

Each identified part in an illustration has a reference number. The reference number for a part also appears in the parts list, along with other information about the part.

This catalog uses two special reference number formats, one to indicate parts in a service assembly and another to indicate the quantity of a given part in an illustration.

## Service Assembly Reference Numbers

Parts in service assemblies have reference numbers in the form a:b. The a represents the reference number of the entire service assembly and the b represents a sequential number unique to each part within the service assembly.

For example, a wheel assembly might be identified by reference number 6, the tire by 6:1, the valve by 6:2, and the wheel by 6:3. When you order the assembly identified by reference number 6, you receive all parts identified by reference numbers 6:1, 6:2, and 6:3. However, you may also order any part individually. Reference numbers of this type appear in illustration and in parts lists.

## Reference Numbers Indicating Quantity

In an illustration, if a reference number indicates more than one part, the reference number has the form nX y. The n represents the quantity of the part, the X is the multiplication symbol, and the y represents the reference number.

For example, in an illustration, the reference number 2X 37 means that two of the parts identified by reference number 37 are indicated.

# List of Abbreviations

**AR:** as required

**ASM:** assembly

**BBC:** blade brake control

**BHTF:** button head thread forming

**CARR:** carriage

**CCW:** counter clockwise

**CW:** clockwise

**DEG:** degrees

**DPA:** Dual Point Adjustment

**ECM:** electronic control module

**EXT:** external

**FH:** flat head

**GA:** gauge

**HD:** heavy-duty

**HF:** hex flange

**HH:** hex head

**HHF:** hex head flange

**HHFTF:** hex head flange thread forming

**HJ:** hex jam

**HLH:** hex lag head

**HOC:** height-of-cut

**HSBH:** hex socket button head

**HSFH:** hex socket flat head

**HSH:** hex socket head

**HWH:** hex washer head

**HWHTF:** hex washer head thread forming

**HYD:** hydraulic

**LH:** left hand

**LP:** Liquefied Petroleum Gas

**LPG:** Liquefied Petroleum Gas

**NI:** nylon insert

**NPTF:** national pipe thread fine

**PFH:** phillips flat head

**PPH:** phillips pan head

**PPHTF:** phillips pan head thread forming

**PRH:** phillips round head

**PTH:** phillips truss head

**PTO:** power-take-off

**RH:** right hand

**ROPS:** roll-over protection system

**RRB:** rear roller brush

**SFH:** slotted fillister head

**SHH:** slotted hex head

**SHWH:** slotted hex washer head

**SPH:** slotted pan head

**SQH:** square head

**SRH:** slotted round head

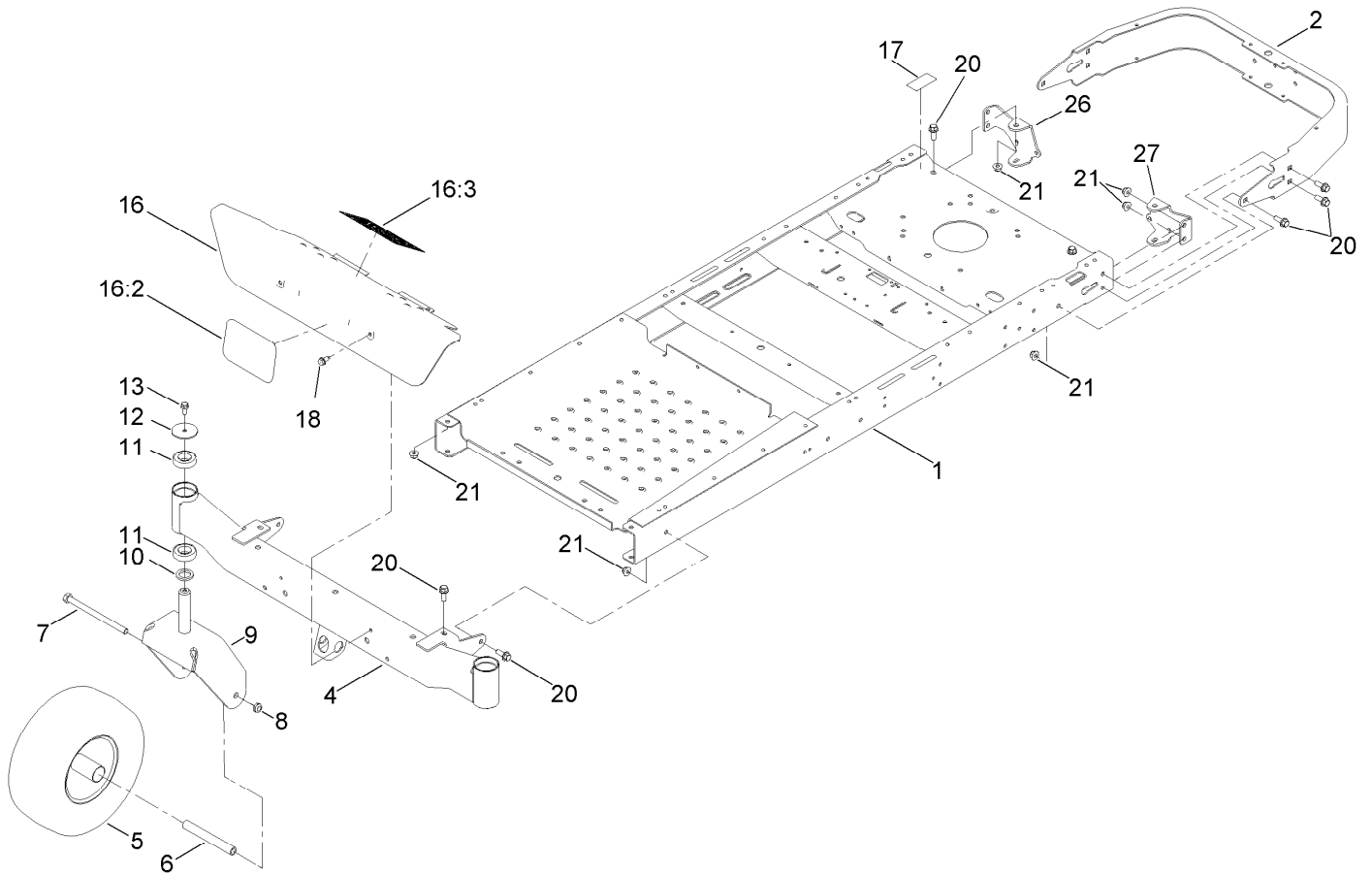
**STD:** standard

**TAP:** self tapping

**TTH:** torx truss head

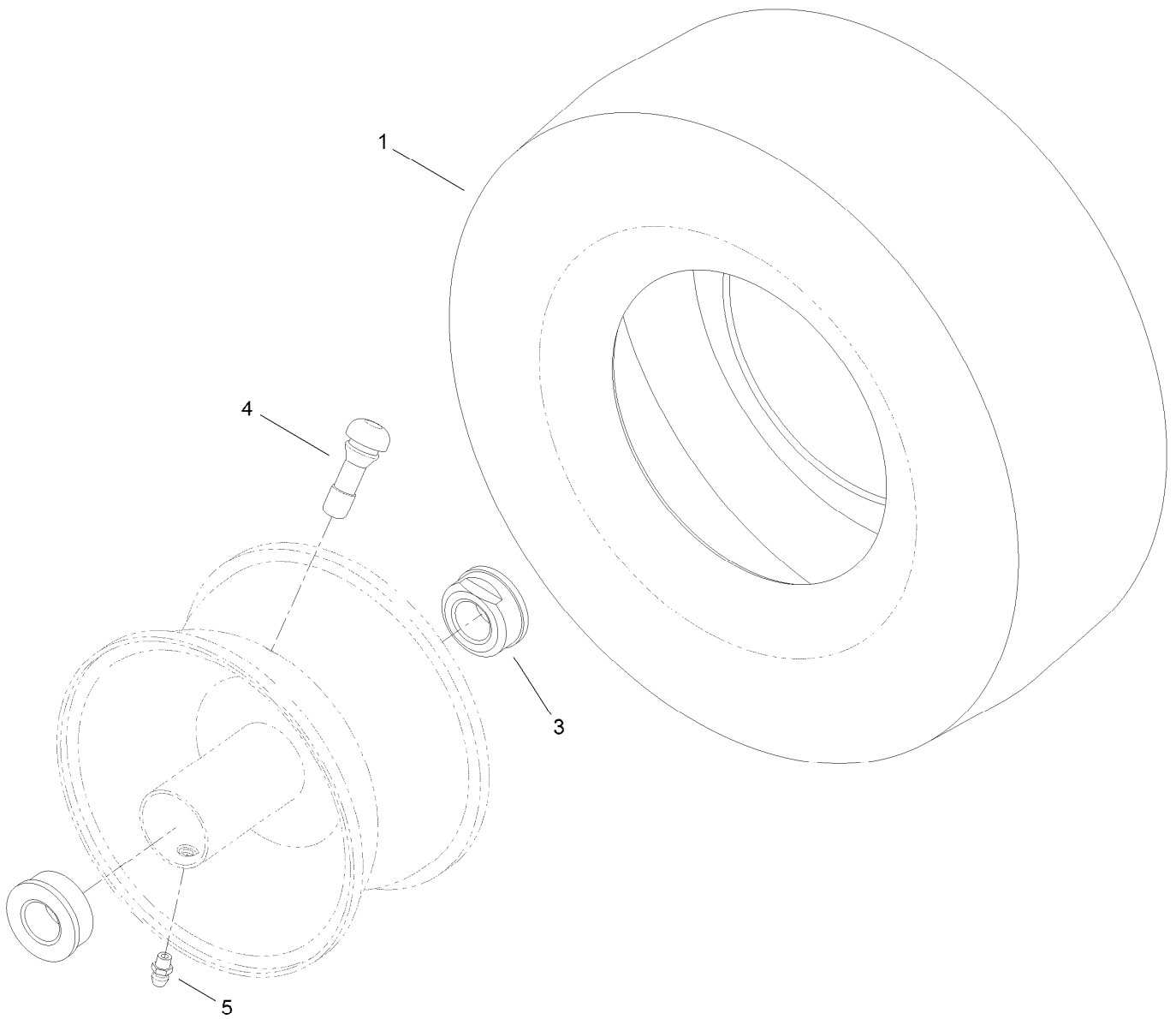
# Contents

Frame, Front Axle and Caster Wheel Assembly .....	4
13 Inch Wheel and Tire Assembly No. 119-3473 .....	5
Motion Control Assembly .....	6
Belt and Pulley Assembly .....	8
Hydro Transaxle Assembly .....	9
Right Hand Hydro Transaxle Assembly No. 119-3351 .....	10
Left Hand Hydro Transaxle Assembly No. 119-3350 .....	12
Clutch Assembly .....	14
Engine and Muffler Assembly .....	15
Body Styling and Fuel Pod Assembly .....	16
Fuel Delivery Assembly .....	17
Battery and Electrical Assembly .....	18
Seat Assembly .....	19
Deck Lift Assembly .....	20
50 Inch Deck Assembly .....	21
50 Inch Deck Decal Assembly No. 119-8841 .....	22
50 Inch Deck Belt, Spindle and Blade Assembly .....	23
Attachments and Accessories .....	24



## Frame, Front Axle and Caster Wheel Assembly

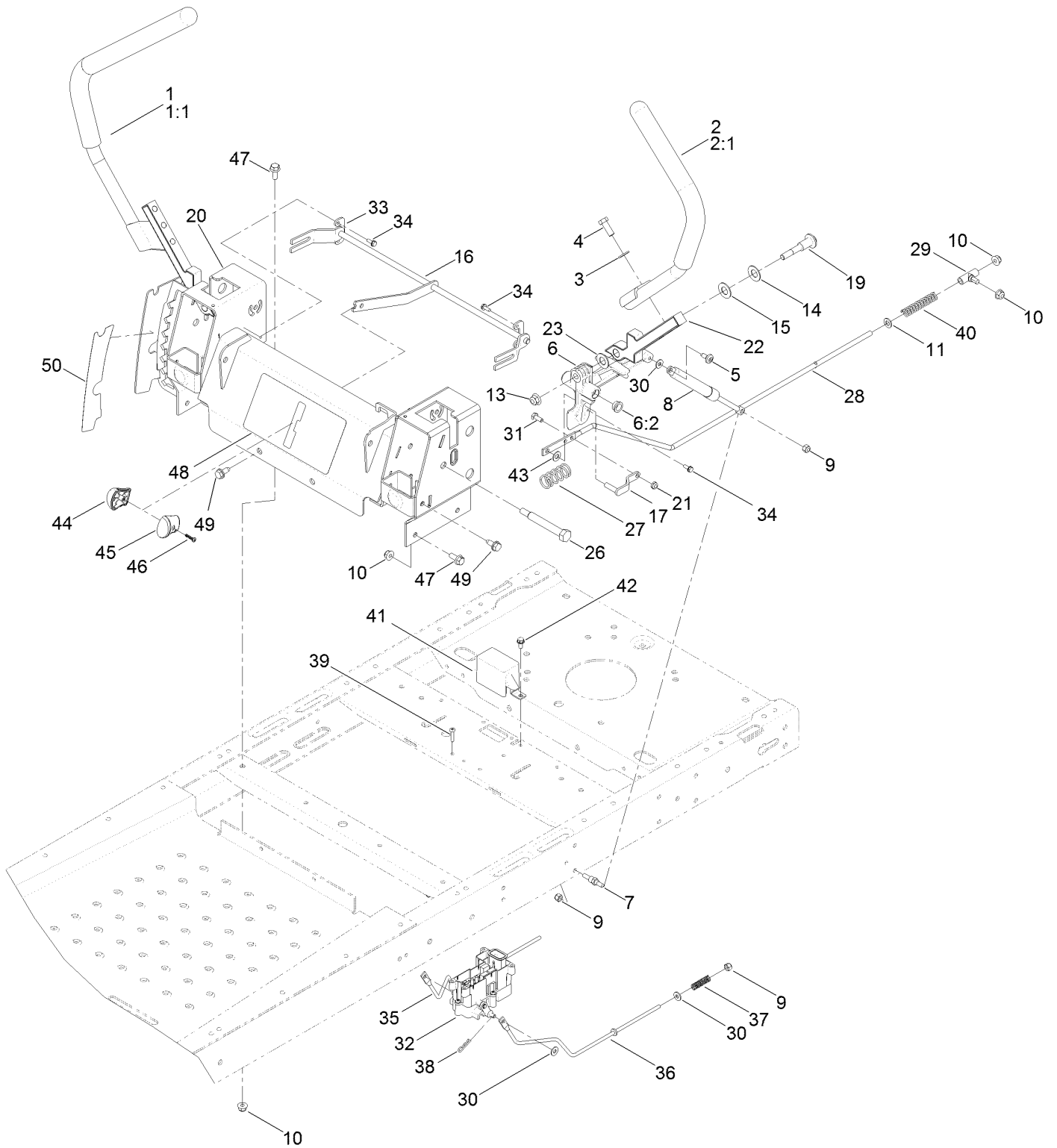
<i>Ref.</i>	<i>Part Number</i>	<i>Qty.</i>	<i>Description</i>	<i>Ref.</i>	<i>Part Number</i>	<i>Qty.</i>	<i>Description</i>
1	120-7963-01	1	Frame ASM	12	119-8915	2	Washer
2	117-7415-01	1	Bumper-Rear (Wide)	13	3234-47	2	Screw-HHF
4	120-5513-01	1	Axle-Front, Wide	16	125-0074	1	Footrest ASM
5	119-3473	2	13 Inch Wheel And Tire ASM	16:2	99-4693	1	Decal
6	119-3475	2	Spanner	16:3	120-2239	1	Decal-Danger
7	325-37	2	Screw-HH	17	121-2989	2	Decal-Bypass
8	3296-45	2	Nut-Lock, NI	18	32144-70	2	Screw-HWHTF
9	119-3349-01	2	Fork-Caster, Wide	20	3234-42	14	Screw-HHF
10	117-7394	2	Washer-Thrust	21	104-8301	14	Nut-Flange, NI
11	109-3678	4	Bearing-Ball	26	121-0737-01	1	Mount-Hydro, Rear RH
				27	121-0738-01	1	Mount-Hydro, Rear LH



## 13 Inch Wheel and Tire Assembly No. 119-3473

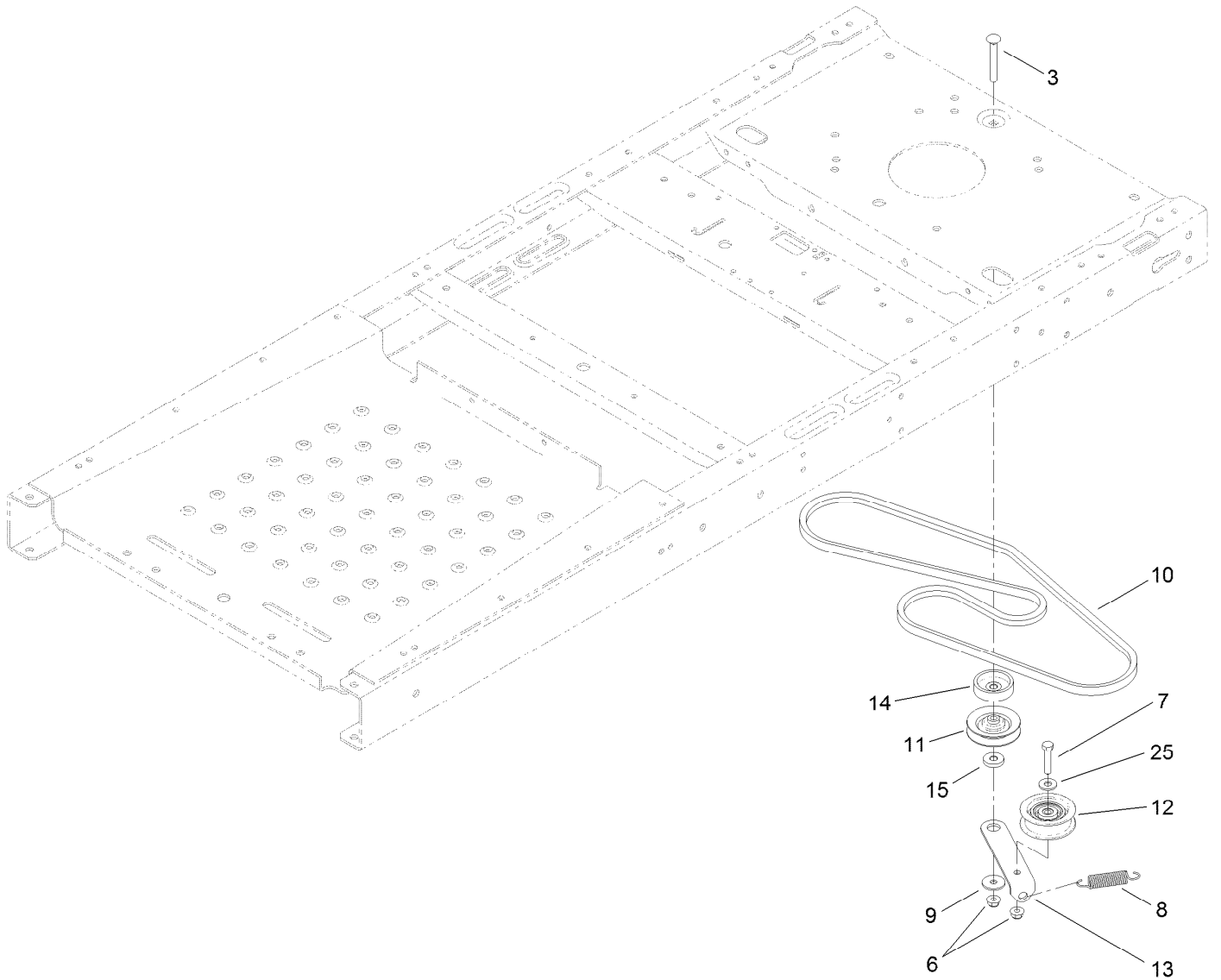
<i>Ref.</i>	<i>Part Number</i>	<i>Qty.</i>	<i>Description</i>
1	119-3471	1	Tire-13 Inch
3	114-1640	2	Bushing-Flange
4	232-27	1	Stem-Valve
5	302-5	1	Fitting-Grease

# Motion Control Assembly



## Motion Control Assembly (continued)

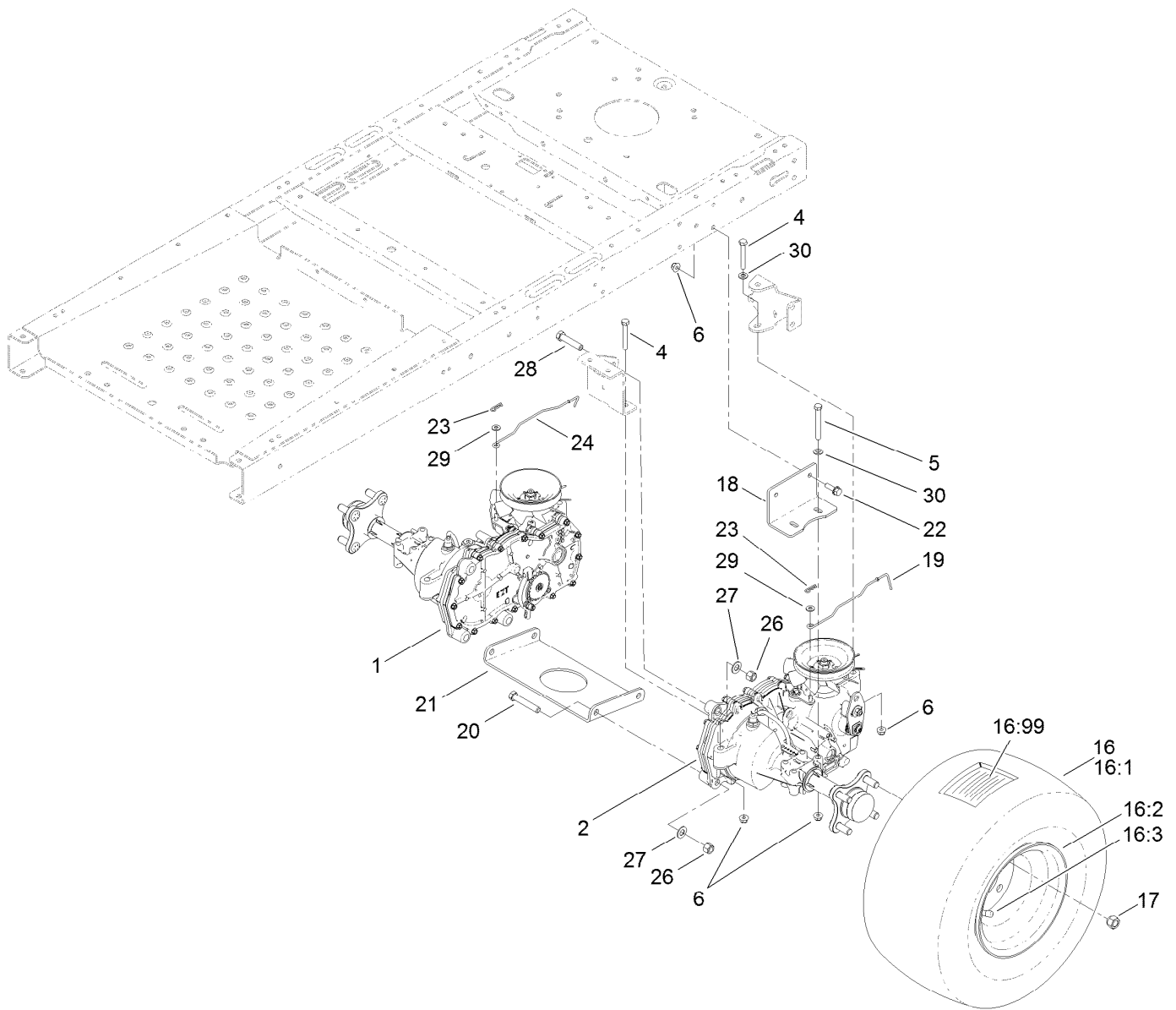
<i>Ref.</i>	<i>Part Number</i>	<i>Qty.</i>	<i>Description</i>	<i>Ref.</i>	<i>Part Number</i>	<i>Qty.</i>	<i>Description</i>
1	121-0731	1	Handle-Control, RH	27	119-8876	2	Spring-Return
1:1	121-0726	1	Grip	28	117-5388	2	Rod-Hydro
2	121-0730	1	Handle-Control, LH	29	119-8842	2	Mount-Rod, Hydro
2:1	121-0726	1	Grip	30	119-8952	8	Washer
3	3256-24	4	Washer-Flat	31	321-3	2	Screw-HH
4	323-6	4	Screw-HH	32	121-3017	1	Brake Control Module ASM
5	120-7950	2	Screw-Shoulder	33	117-5385	2	Retainer
6	119-3470	2	Actuator Arm ASM	34	32144-1	4	Screw-Taptite
6:2	256-156	2	Bushing-Flange	35	121-2976	1	Rod-Brake,RH-Wide
7	110-6810	2	Stud-Damper	36	121-2977	1	Rod-Brake,LH-Wide
8	103-2913	2	Damper-Control, Motion	37	117-1169	4	Spring-Compression
9	3296-42	6	Nut-Lock, NI	38	3290-307	2	Pin-Hair
10	104-8300	10	Nut-Flange, NI	39	32144-36	4	Screw-PPH
11	3256-23	2	Washer-Flat	40	1-603807	2	Spring-Return, Neutral
13	104-8301	4	Nut-Flange, NI	41	119-8859	1	Cover-Brake
14	119-8925	2	Washer-Belleville	42	32144-4	1	Screw-HWH
15	117-1240	2	Washer	43	93-6079	2	Spacer-Nylon
16	119-3300	1	Control-Speed	44	119-8935	1	Knob-RH
17	119-3303	2	Pin-Rod, Hydro	45	119-8936	1	Knob-LH
19	117-1198	2	Bolt-Pivot	46	94-4496	1	Screw-PPH
20	125-5474-03	1	Wide Control Box	47	3234-47	6	Screw-HHF
21	3296-56	2	Nut-Lock, NI	48	119-8874	1	Decal-Speed Control
22	115-5098-05	2	Lever-Control	49	32144-70	4	Screw-HWHTF
23	120-2273	2	Washer-Nylon	50	119-8870	1	Decal-HOC
26	115-5099	2	Bolt-Pivot				



## Belt and Pulley Assembly

Ref.	Part Number	Qty.	Description
3	3230-8	1	Screw-CARR
6	104-8300	2	Nut-Flange, NI
7	322-7	1	Screw-HH
8	104-6415	1	Spring-Return, Pedal
9	5-4460	1	Washer-Pivot
10	119-3321	1	V-Belt
11	119-8822	1	Pulley-Idler
12	106-2176	1	Pulley-Idler
13	119-3326	1	Arm-Idler
14	119-3353	1	Spacer
15	119-3327	1	Spacer-Arm, Idler
25	3256-3	1	Washer-Flat

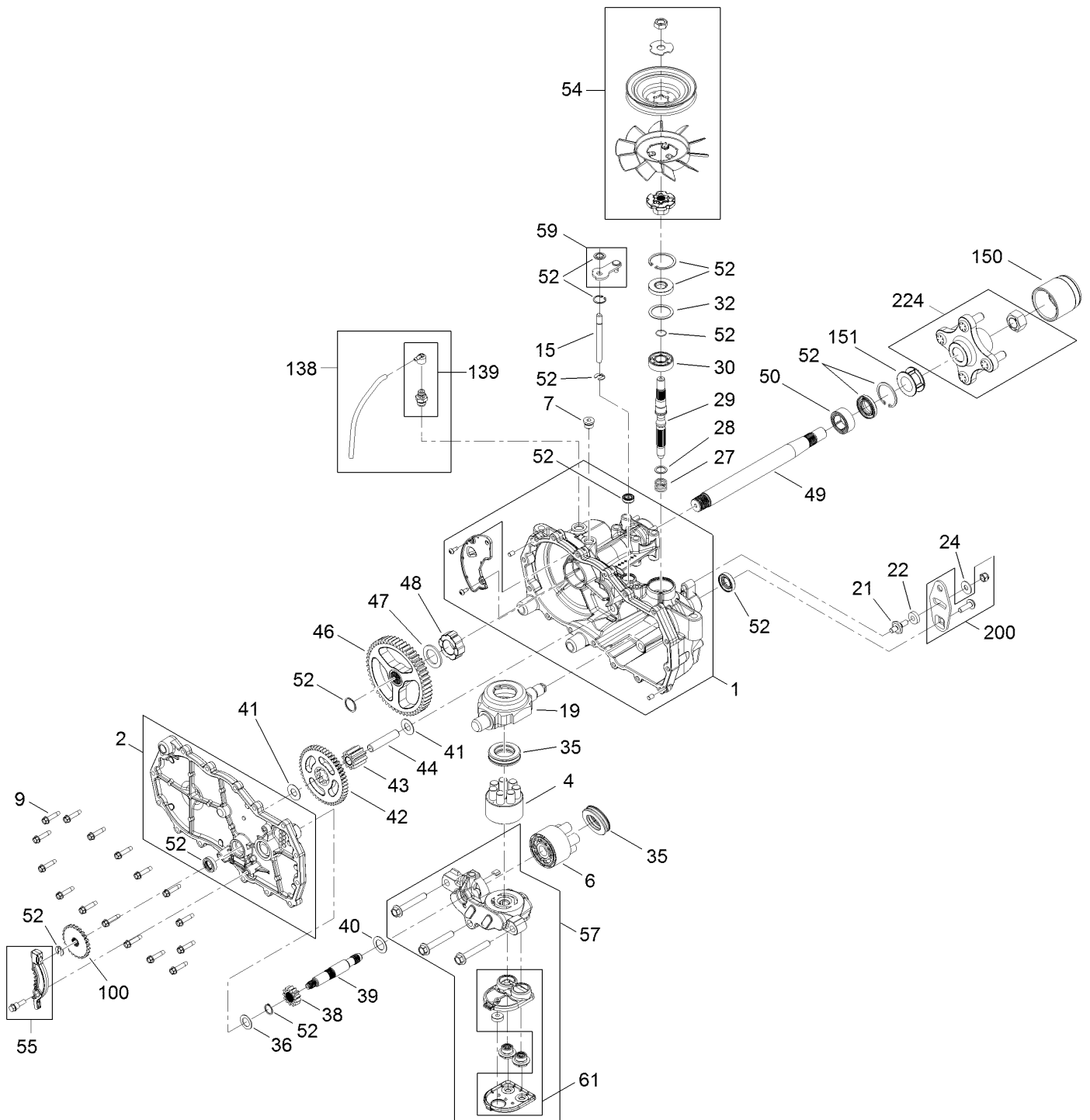




## Hydro Transaxle Assembly

Ref.	Part Number	Qty.	Description	Ref.	Part Number	Qty.	Description
1	119-3351	1	RH Hydro Transaxle ASM	19	121-2971	1	Rod-Bypass, LH
2	119-3350	1	LH Hydro Transaxle ASM	20	324-10	4	Screw-HH
4	322-11	4	Screw-HH	21	119-3342-03	1	Cross Plate-Hydro
5	322-13	4	Screw-HH	22	3234-29	4	Screw-HHF
6	104-8300	12	Nut-Flange, NI	23	3290-307	2	Pin-Hair
16	119-8908	2	Wheel And Tire ASM	24	121-0752	1	Rod-Bypass, RH
16:1	119-8909	1	Tire	26	3296-48	6	Nut-Lock, NI
16:2	217-60	1	Rim	27	3256-25	6	Washer-Flat
16:3	232-27	1	Stem-Valve	28	324-8	2	Screw-HH
16:99	232-37	1	Tube	29	3256-22	2	Washer-Flat
17	242-50	8	Nut-Lug	30	3256-23	6	Washer-Flat
18	117-7264-03	2	Mount-Hydro				

# Right Hand Hydro Transaxle Assembly No. 119-3351

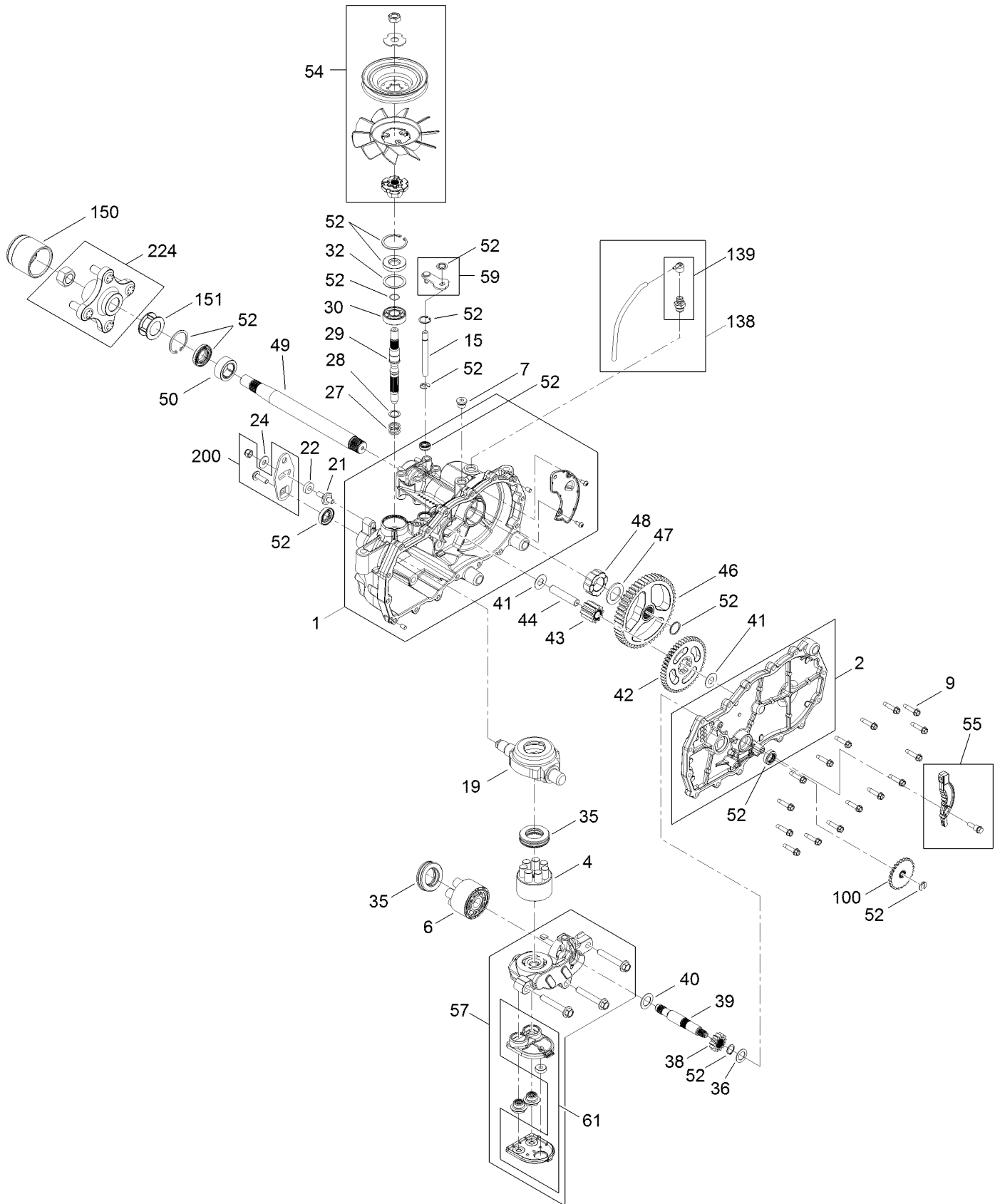


# Right Hand Hydro Transaxle Assembly No. 119-3351 (continued)

<i>Ref.</i>	<i>Part Number</i>	<i>Qty.</i>	<i>Description</i>	<i>Ref.</i>	<i>Part Number</i>	<i>Qty.</i>	<i>Description</i>
1	106-8674	1	Main Housing ASM	42	104-5317	1	Gear-10T/48T
2	106-8675	1	Side ASM	43	104-5318	1	Gear-Jackshaft, 10T
4	110-8561	1	Pump Block ASM	44	104-5329	1	Pin-Jackshaft
6	103-2666	1	Cylinder Block Kit	46	112-9855	1	Gear-52T, Bull
7	104-2189	1	Plug-Thread, Straight	47	112-9856	1	Washer
9	104-5305	16	Screw-HHF	48	112-9857	1	Bearing-Sleeve
15	106-8678	1	Rod-Bypass	49	120-7104	1	Shaft-Axle
19	104-5304	1	Swashplate-Trunnion	50	112-9859	1	Bushing-Axle
21	104-2116	1	Stud	52	106-8686	1	Seal Kit ●
22	112-9853	1	Puck-Friction	54	121-5746	1	Fan Pulley Kit
24	114-8491	1	Washer	55	106-8688	1	Brake Arm Kit
27	120-5537	1	Spring-Compression	57	112-9862	1	Center Section Filter Kit
28	120-5538	1	Washer	58	104-2147	1	Sealant ●
29	104-5306	1	Shaft-Input	59	107-2489	1	Bypass Arm Kit
30	104-5311	1	Bearing-Ball	61	114-1634	1	Filter Kit
32	104-5308	1	Spacer	100	106-8694	1	Disc-Brake, Cog
35	94-6922	2	Bearing-Thrust	138	112-9866	1	Breather Kit
36	104-5339	1	Washer-Flat	139	114-1635	1	Breather ASM
38	104-5316	1	Gear-Pinion, 13T	150	115-5057	1	Cover-Nut, Axle
39	106-8683	1	Shaft-Motor	151	120-7109	1	Tube-Axle
40	104-5360	1	Washer	200	117-5362	1	Arm Control Kit
41	119-5541	2	Washer	224	109-5939	1	Hub Kit

● Not illustrated

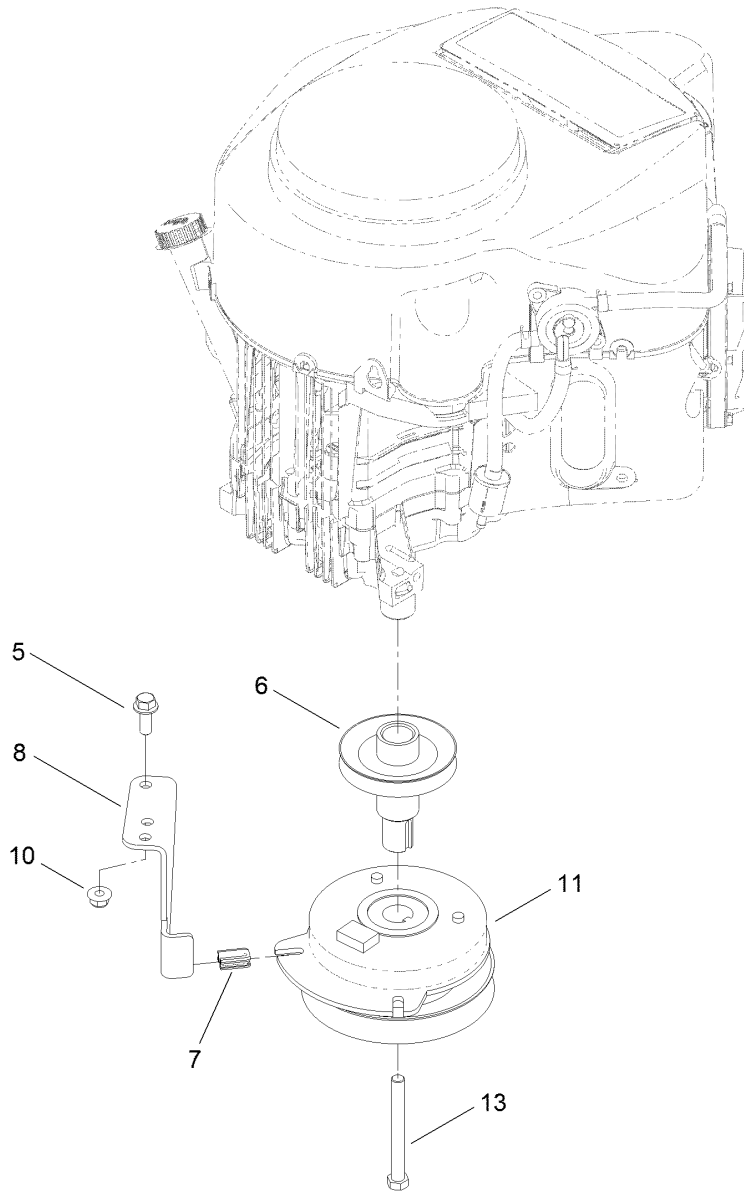
# Left Hand Hydro Transaxle Assembly No. 119-3350



# Left Hand Hydro Transaxle Assembly No. 119-3350 (continued)

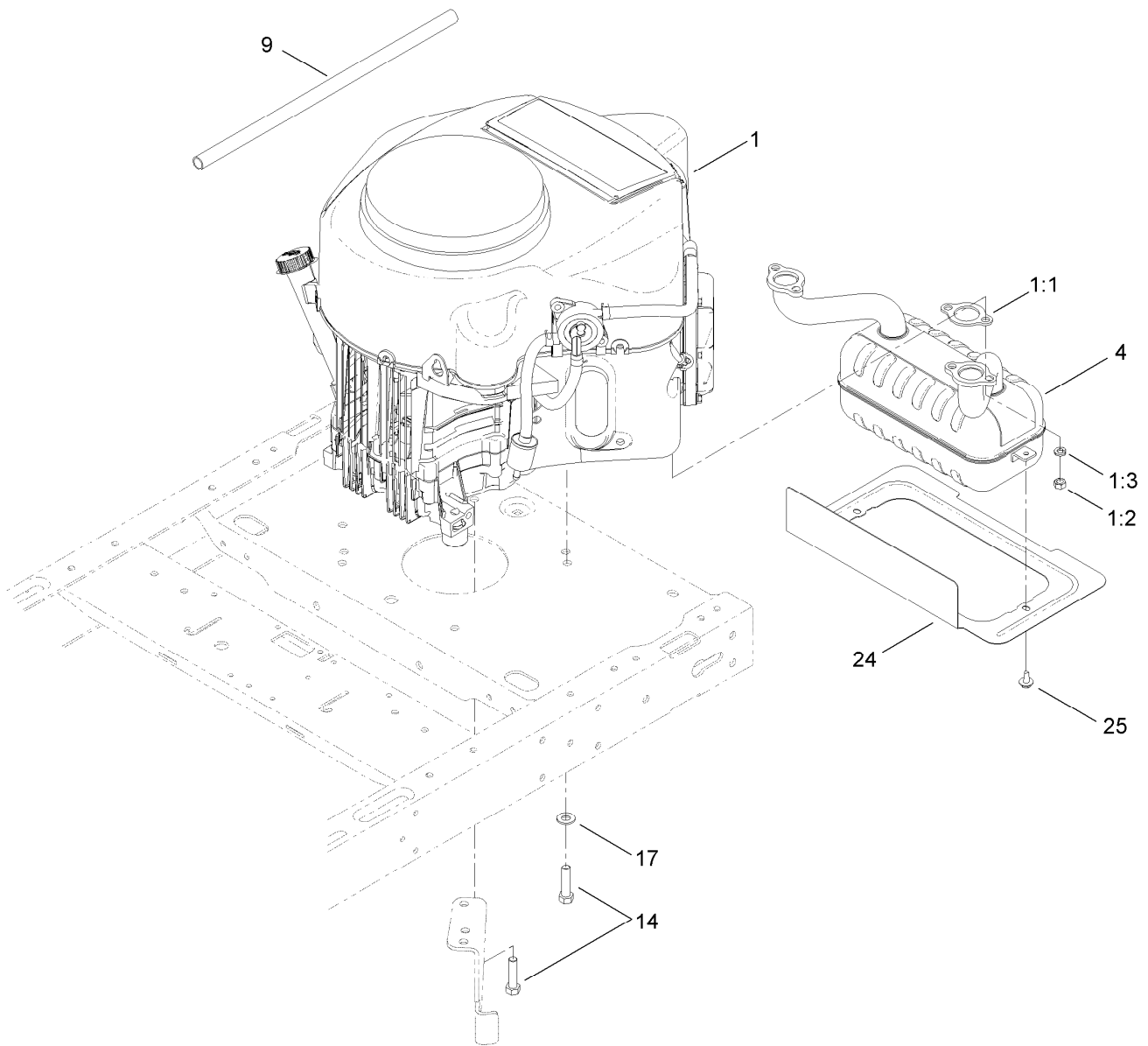
<i>Ref.</i>	<i>Part Number</i>	<i>Qty.</i>	<i>Description</i>	<i>Ref.</i>	<i>Part Number</i>	<i>Qty.</i>	<i>Description</i>
1	106-8695	1	Main Housing ASM	42	104-5317	1	Gear-10T/48T
2	106-8696	1	Side ASM	43	104-5318	1	Gear-Jackshaft, 10T
4	110-8561	1	Pump Block ASM	44	104-5329	1	Pin-Jackshaft
6	103-2666	1	Cylinder Block Kit	46	112-9855	1	Gear-52T, Bull
7	104-2189	1	Plug-Thread, Straight	47	112-9856	1	Washer
9	104-5305	16	Screw-HHF	48	112-9857	1	Bearing-Sleeve
15	106-8678	1	Rod-Bypass	49	120-7104	1	Shaft-Axle
19	104-5304	1	Swashplate-Trunnion	50	112-9859	1	Bushing-Axle
21	104-2116	1	Stud	52	106-8686	1	Seal Kit ●
22	112-9853	1	Puck-Friction	54	121-5746	1	Fan Pulley Kit
24	114-8491	1	Washer	55	106-8688	1	Brake Arm Kit
27	120-5537	1	Spring-Compression	57	112-9861	1	Center Section Filter Kit
28	120-5538	1	Washer	58	104-2147	1	Sealant ●
29	104-5306	1	Shaft-Input	59	120-5549	1	Bypass Kit
30	104-5311	1	Bearing-Ball	61	114-1634	1	Filter Kit
32	104-5308	1	Spacer	100	106-8694	1	Disc-Brake, Cog
35	94-6922	2	Bearing-Thrust	138	112-9866	1	Breather Kit
36	104-5339	1	Washer-Flat	139	114-1635	1	Breather ASM
38	104-5316	1	Gear-Pinion, 13T	150	115-5057	1	Cover-Nut, Axle
39	106-8683	1	Shaft-Motor	151	120-7109	1	Tube-Axle
40	104-5360	1	Washer	200	117-5362	1	Arm Control Kit
41	119-5541	2	Washer	224	109-5939	1	Hub Kit

● Not illustrated



## Clutch Assembly

<i>Ref.</i>	<i>Part Number</i>	<i>Qty.</i>	<i>Description</i>
5	3234-42	1	Screw-HHF
6	119-3318	1	Pulley-Engine
7	120-2217	1	Isolator-Clutch
8	119-8885	1	Stop-Clutch
10	104-8301	1	Nut-Flange, NI
11	110-6766	1	Clutch-Electric, PTO
13	3212-17	1	Screw-HH

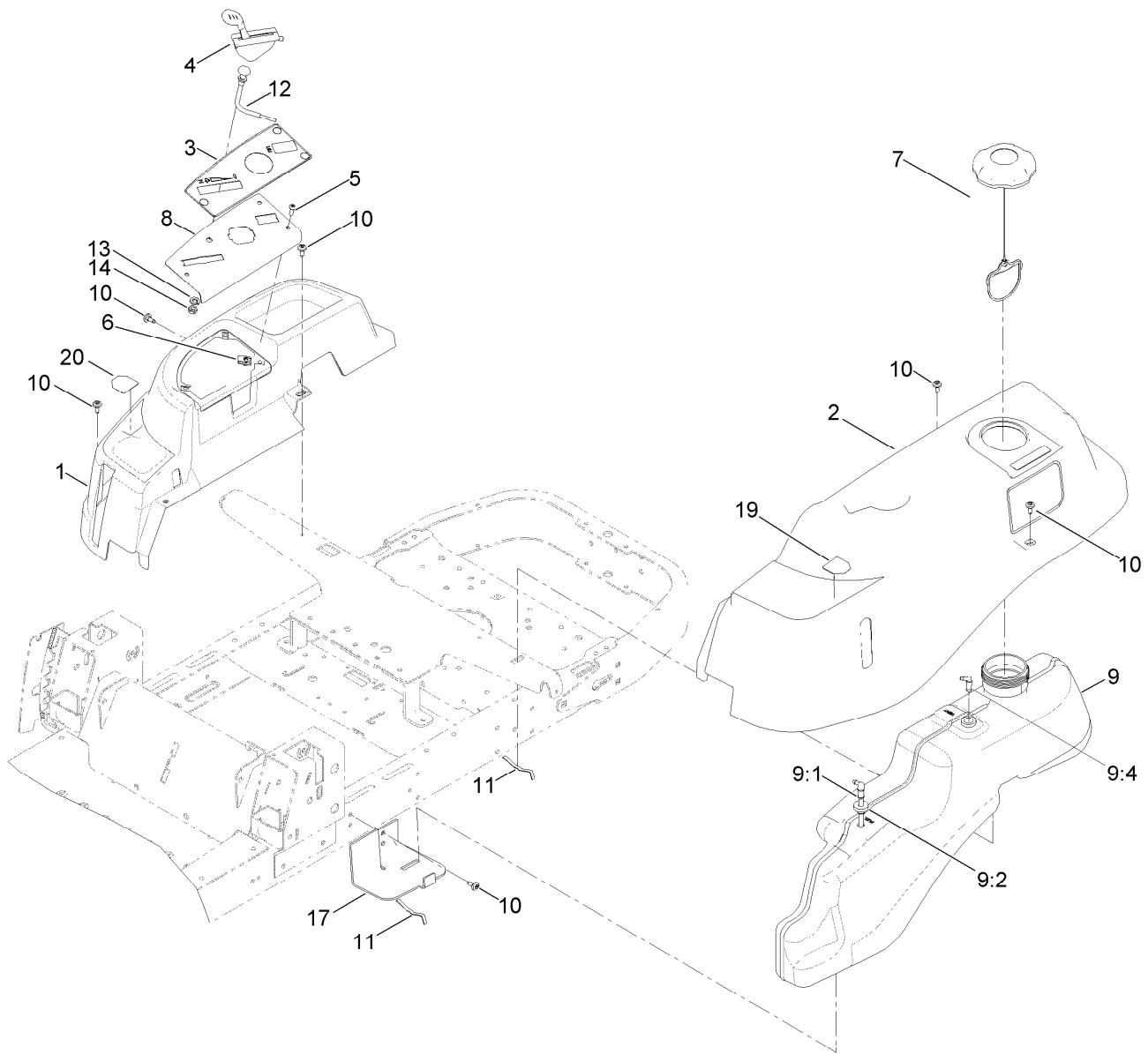


## Engine and Muffler Assembly

Ref.	Part Number	Qty.	Description
1		1	Engine-Kawasaki, Fr691V-_s07-R ●■
1:1	1-653313	2	Gasket-Exhaust
1:2	114-3549	4	Nut
1:3	114-3550	4	Washer-Lock, Spring
4	117-7256	1	Muffler-Kawasaki
9	106-7022	1	Tube-Drain, Oil
14	323-50	4	Bolt-HH
17	3256-24	3	Washer-Flat
24	121-2973-03	1	Shield-Heat
25	46-8560	2	Screw-HHFTF

● Not serviced separately

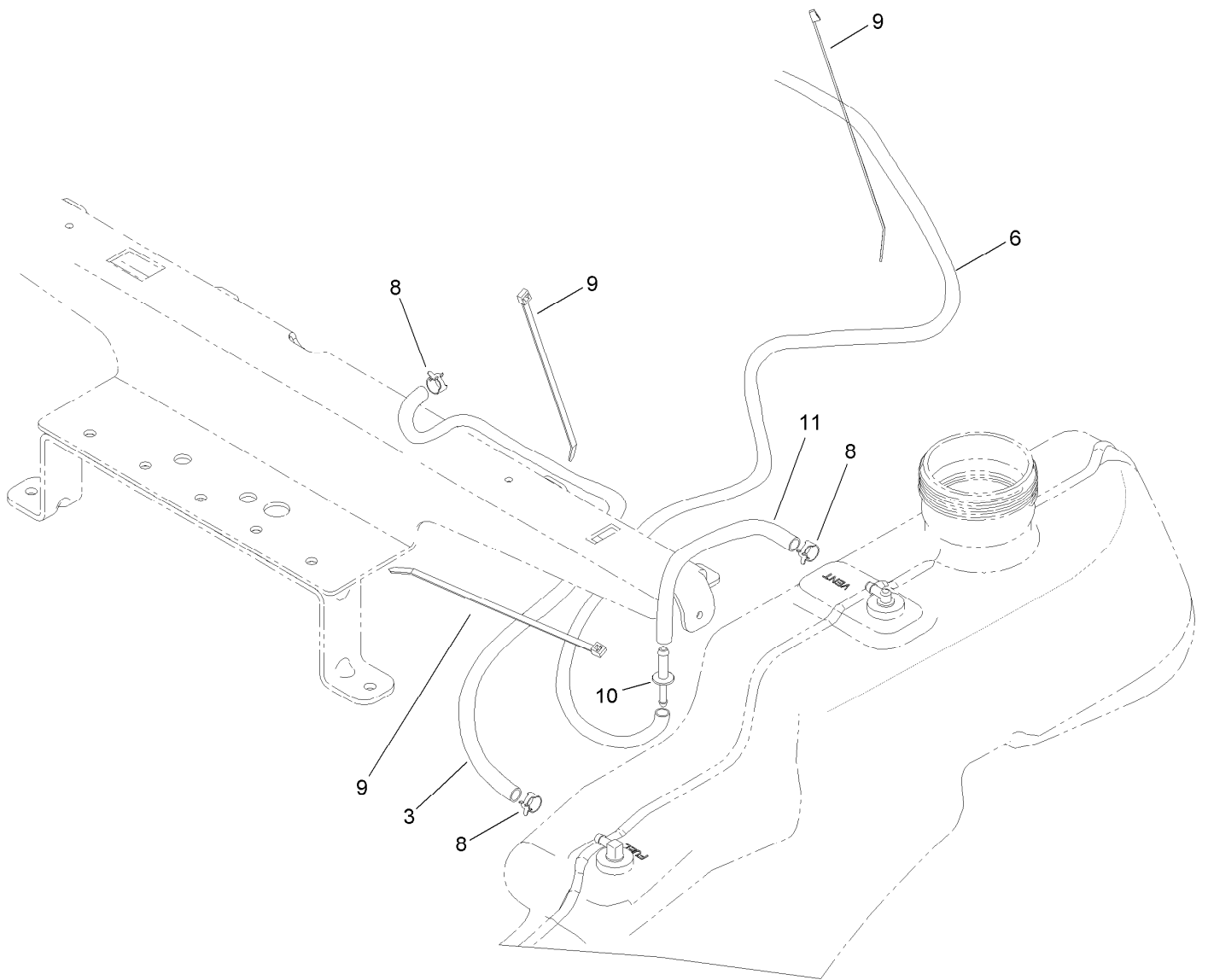
■ Obtain parts from [www.kawpowerepc.com](http://www.kawpowerepc.com)



## Body Styling and Fuel Pod Assembly

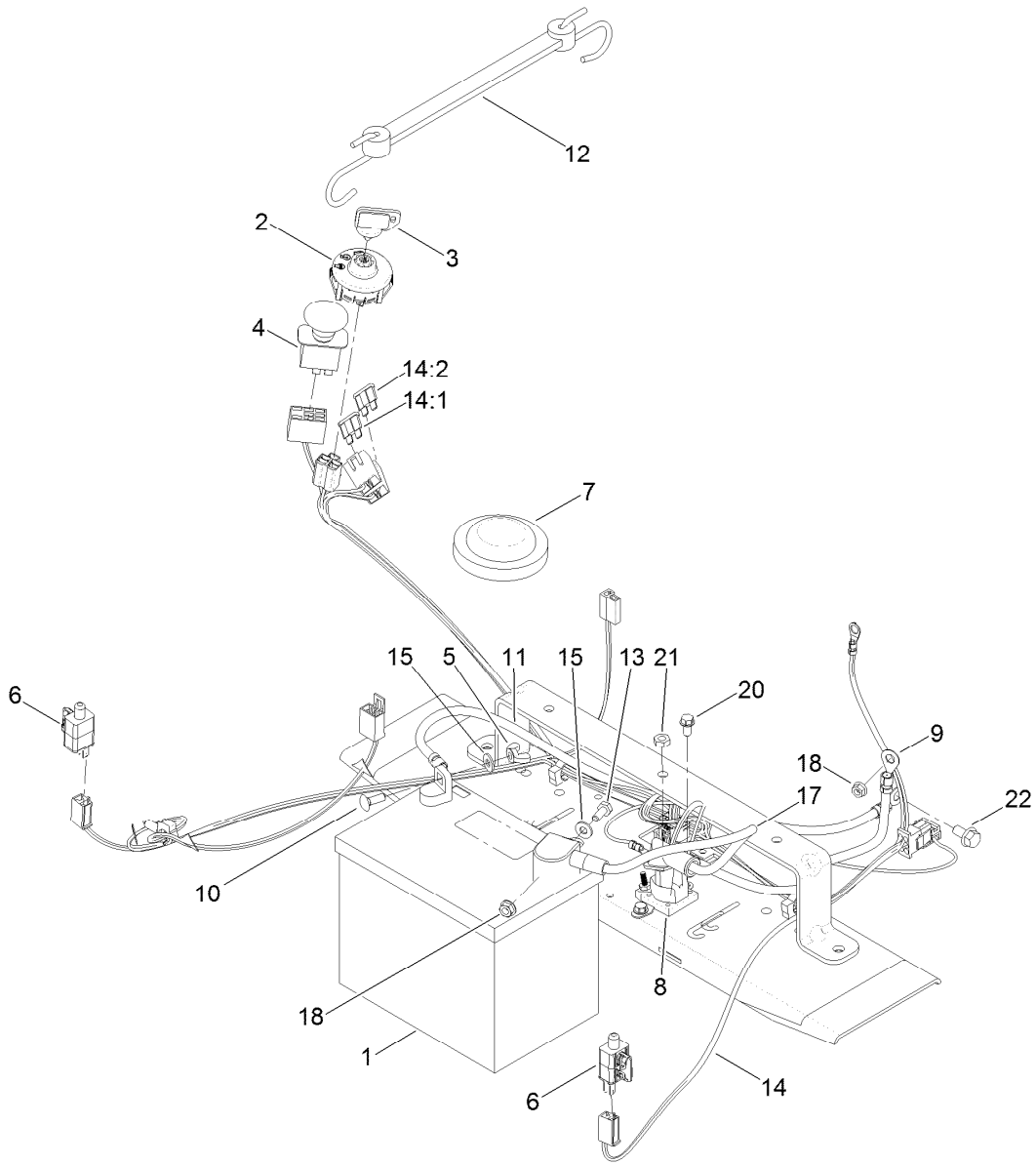
<i>Ref.</i>	<i>Part Number</i>	<i>Qty.</i>	<i>Description</i>	<i>Ref.</i>	<i>Part Number</i>	<i>Qty.</i>	<i>Description</i>
1	119-3338	1	Pod-RH	9:2	46-6560	2	Bushing
2	119-3337	1	Pod-LH	9:4	117-7400	1	Fitting-Plastic
3	121-0773	1	Decal-Panel, Control	10	120-7950	6	Screw-Shoulder
4	121-0769	1	Cable-Throttle	11	609830	2	Spring
5	3258-166	3	Screw-PRH	12	112-9753	1	Cable-Choke
6	107069	3	Clip	13	3253-21	1	Washer-Lock
7	120-5461	1	Cap-Fuel, Ratcheting	14	3220-3	1	Nut-HJ
8	119-3377-03	1	Plate-Control	17	119-3395-03	1	Support-Tank, Front
9	119-3324	1	Fuel Tank ASM	19	119-8814	1	Decal-Control Lever, LH
9:1	121-0793	1	Connector-Elbow, 90 DEG	20	119-8815	1	Decal-Control Lever, RH





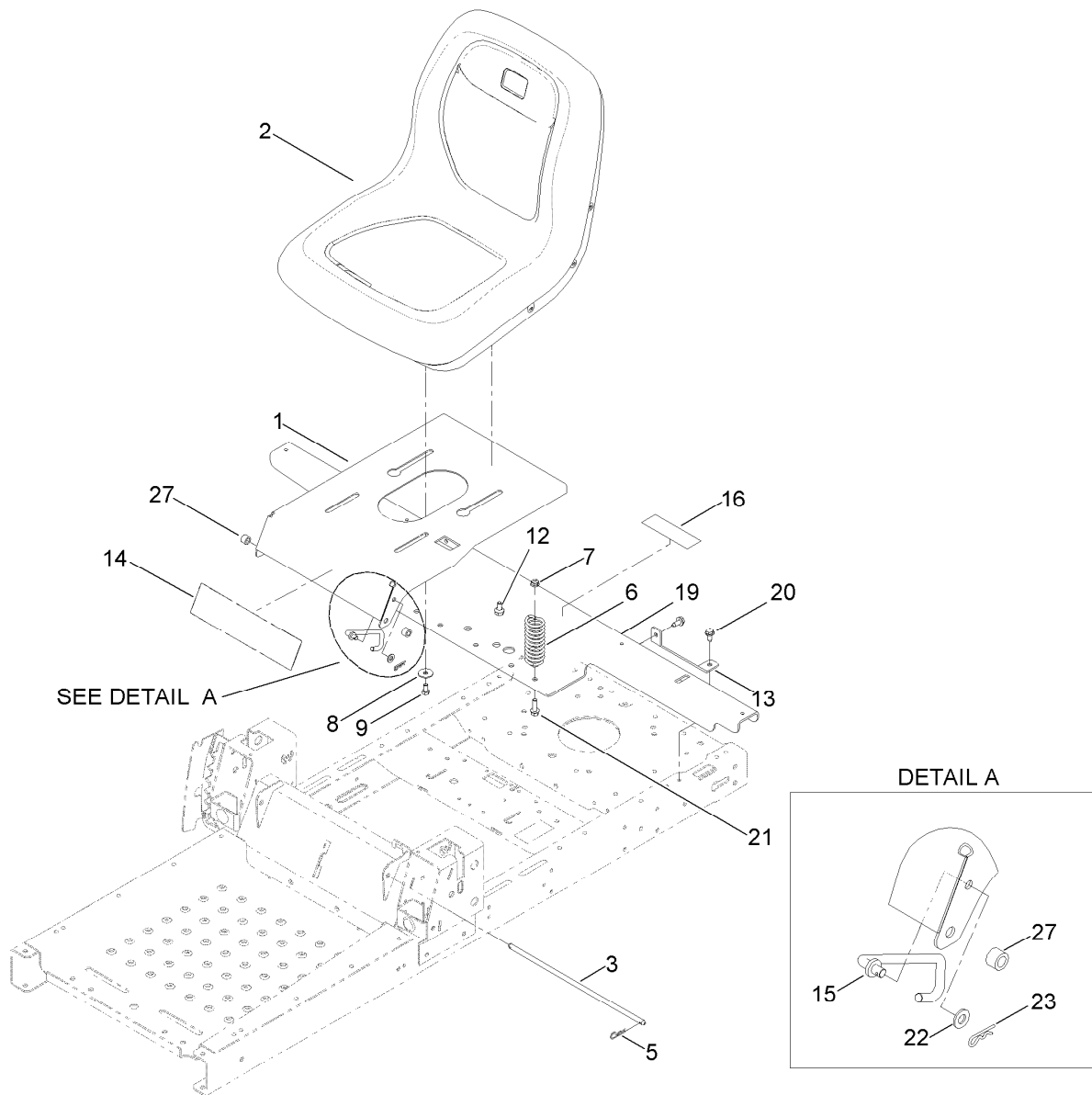
## Fuel Delivery Assembly

Ref.	Part Number	Qty.	Description
3	109-0301	1	Hose-Fuel
6	51-3212	1	Hose-Fuel
8	2412-98	3	Clamp-Hose
9	614249	3	Tie-Cable
10	117-5399	1	Adaptor-Orifice
11	110-1876	1	Hose-Fuel



## Battery and Electrical Assembly

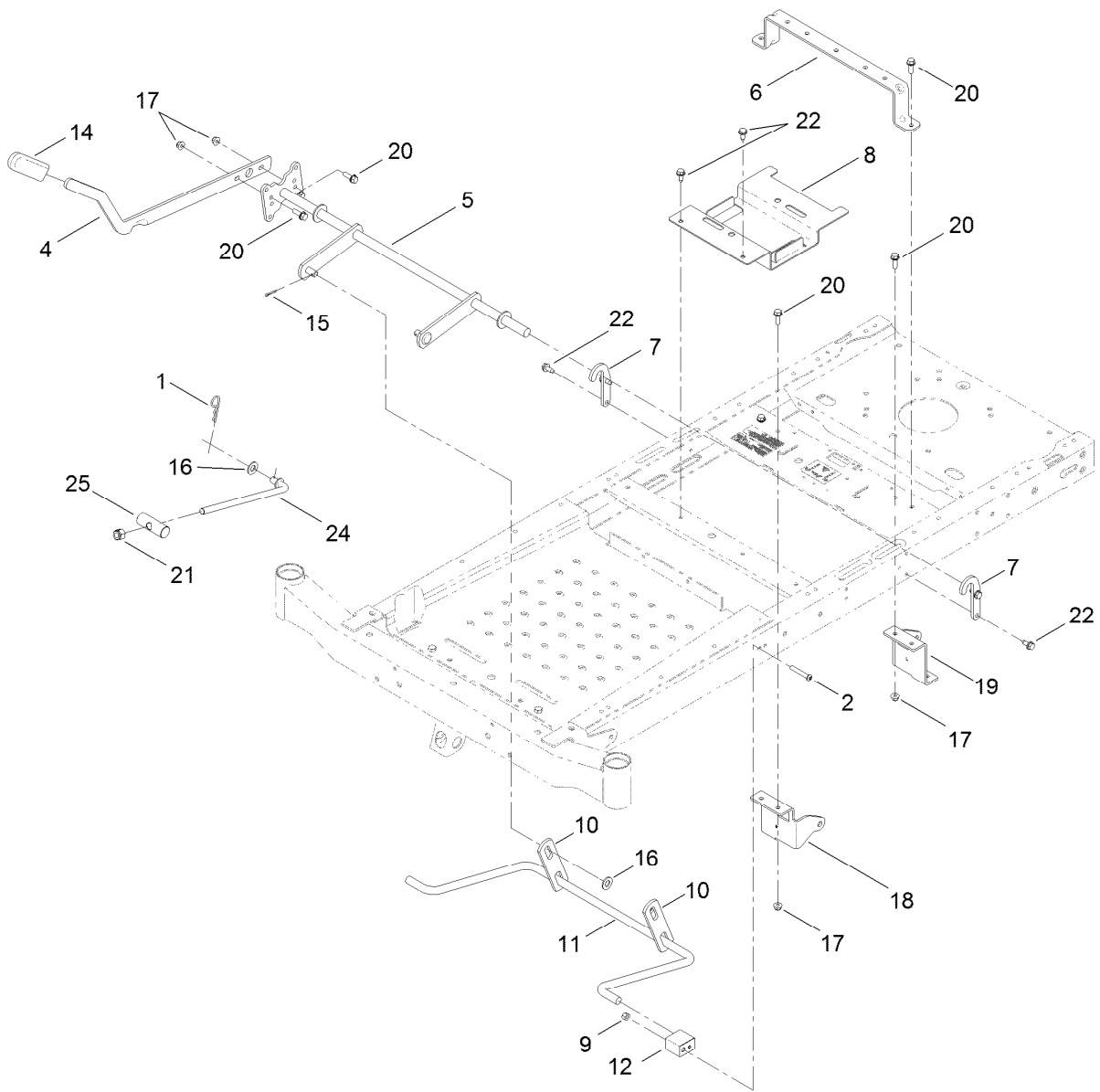
<i>Ref.</i>	<i>Part Number</i>	<i>Qty.</i>	<i>Description</i>	<i>Ref.</i>	<i>Part Number</i>	<i>Qty.</i>	<i>Description</i>
1	105-1692	1	Battery	12	104-2466	1	Holddown-Battery
2	117-2221	1	Switch-Ignition	13	321-3	1	Screw-HH
3	63-8360	1	Key-Ignition (W/Shield)	14	121-5652	1	Harness-Wire
4	103-5221	1	Switch-PTO	14:1	109103	1	Fuse-Blade, 30 Amp
5	32103-22	1	Nut-Wing	14:2	109102	1	Fuse-Blade, 25 Amp
6	110-6765	2	Switch-Single Pole No	15	3256-22	2	Washer-Flat
7	100-3524	1	Switch-Seat	17	119-8897	1	Cable-Battery, Red
8	117-1197	1	Solenoid	18	32128-33	2	Nut-HF
9	119-8898	1	Cable-Battery, Red	20	32144-4	2	Screw-HWH
10	3229-1	1	Bolt-CARR	21	3220-2	2	Nut-Jam
11	119-8899	1	Cable-Battery, Black	22	33104-016	1	Screw-HHF



## Seat Assembly

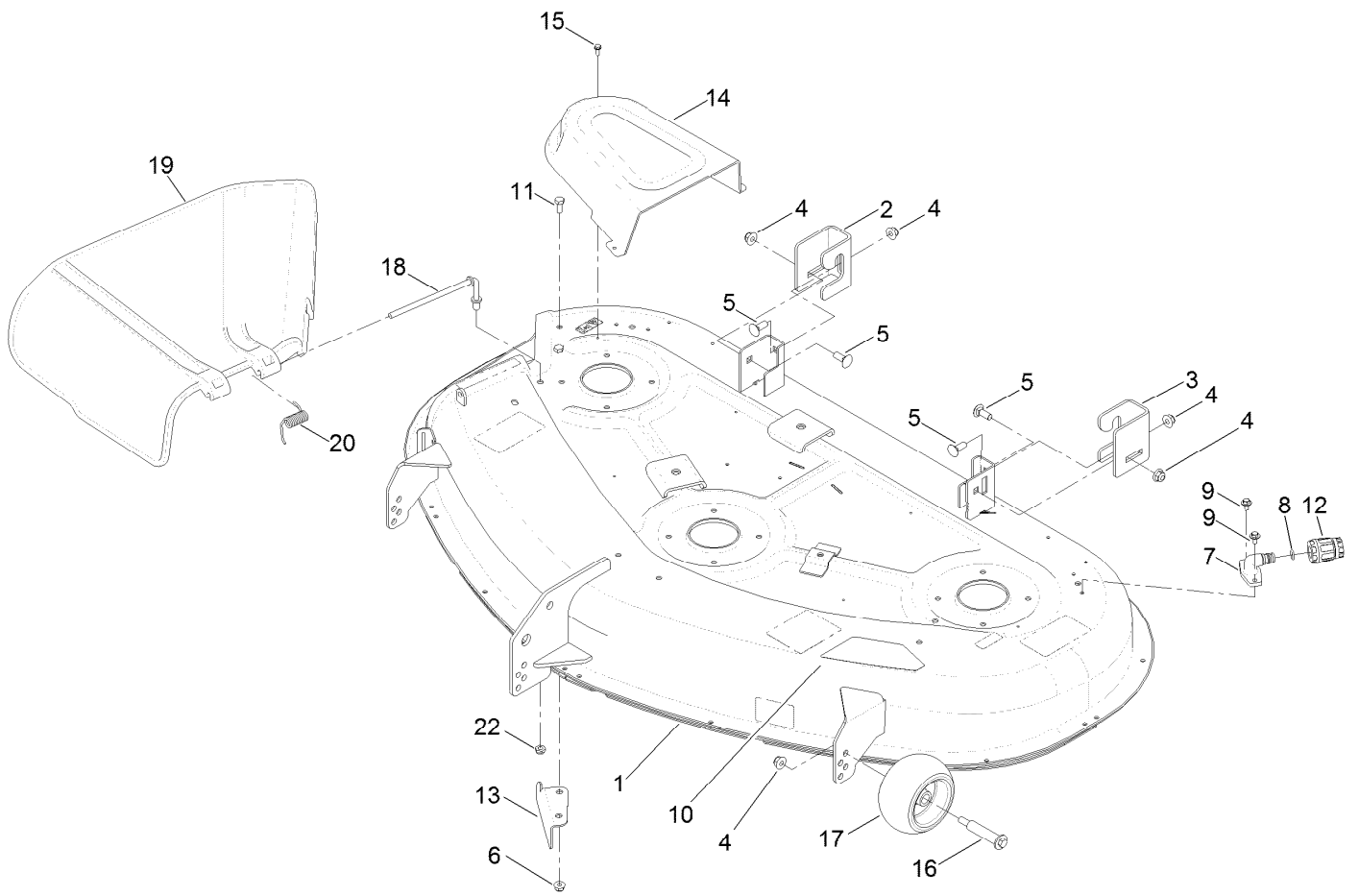
Ref.	Part Number	Qty.	Description
1	119-3391-01	1	Pan-Seat
2	119-8829	1	Seat-18 Inch
3	115-4966	1	Rod-Stop
5	3290-250	2	Pin-Hair
6	92-7054	3	Spring-Compression
7	104-8300	3	Nut-Flange, NI
8	5-4460	2	Washer-Pivot
9	322-2	2	Screw-HH
12	37-8771	2	Bolt-Shoulder
13	119-3431-03	2	Support-Tank, Rear

Ref.	Part Number	Qty.	Description
14	119-8903	1	Decal-Timecutter
15	119-8972	1	Stop-Seat
16	106-8717	1	Decal-Service
19	119-3414-03	1	Support-Pod
20	32144-70	4	Screw-HWHTF
21	3234-29	3	Screw-HHF
22	3256-23	1	Washer-Flat
23	3290-307	1	Pin-Hair
27	115-4986	2	Spacer



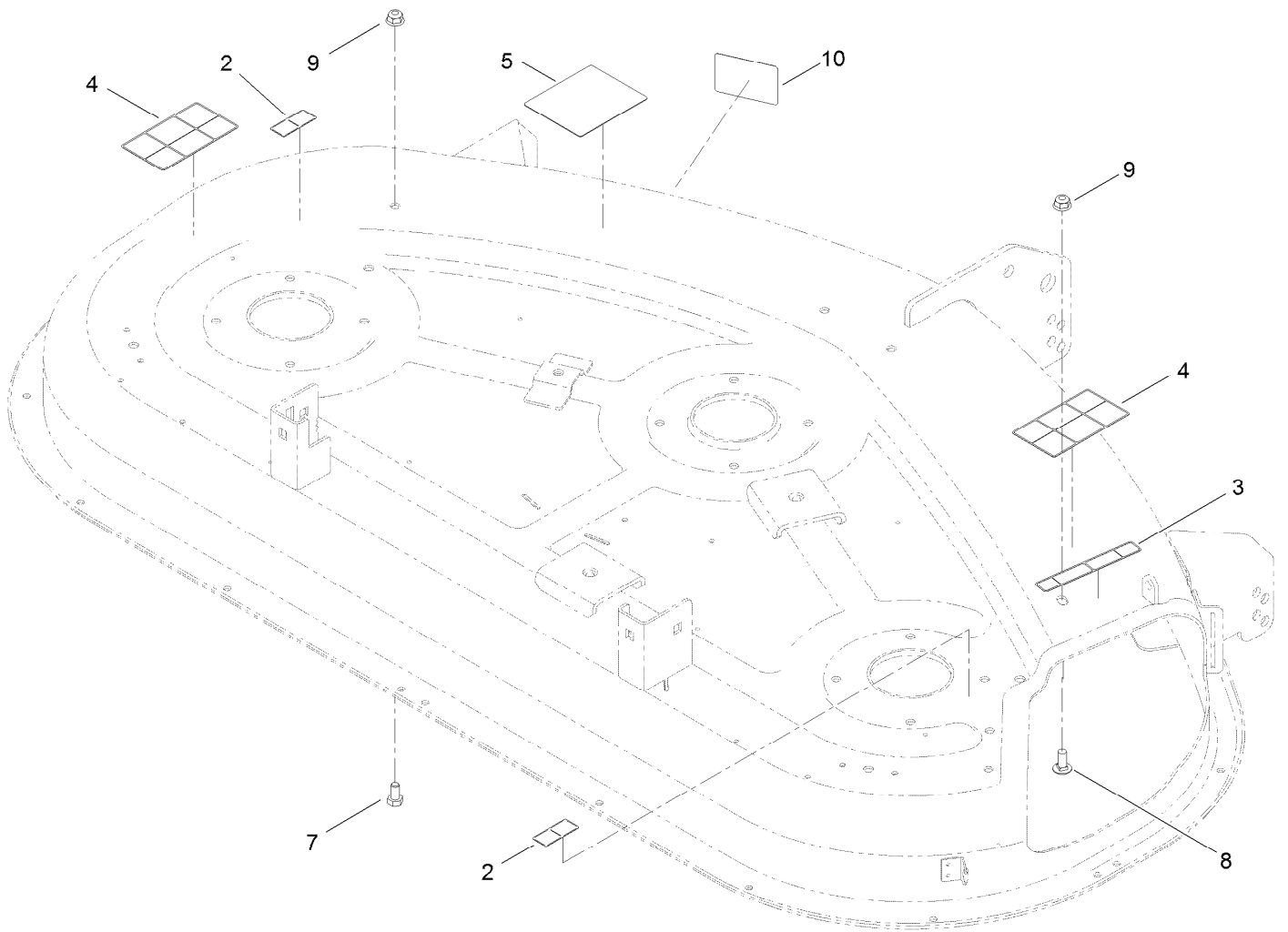
## Deck Lift Assembly

<i>Ref.</i>	<i>Part Number</i>	<i>Qty.</i>	<i>Description</i>	<i>Ref.</i>	<i>Part Number</i>	<i>Qty.</i>	<i>Description</i>
1	1-806005	1	Pin-Hair	14	1-633268	1	Grip-Lever
2	120-5499	2	Screw-HSBH	15	3272-10	2	Pin-Cotter
4	119-3427-03	1	Lever-Lift	16	3256-26	3	Washer-Flat
5	119-3424-03	1	Lift-Deck	17	104-8300	6	Nut-Flange, NI
6	117-7337-03	1	Brace-Seat, Rear	18	119-8861-01	1	Mount-Hydro, Front RH
7	119-8875	2	Bracket-Lift	19	119-8862-01	1	Mount-Hydro, Front LH
8	119-3406-03	1	Bracket-Battery	20	3234-29	6	Screw-HHF
9	3296-29	2	Nut-Lock, NI	21	3296-19	1	Nut-Hex
10	108-7840	2	Link-Lift	22	32144-70	6	Screw-HWHTF
11	119-3347	1	Arm-Lift, Rear	24	104-8047	1	Rod-Trunion
12	108-7845	2	Block-Pivot	25	119-8810	1	Pin-Pivot



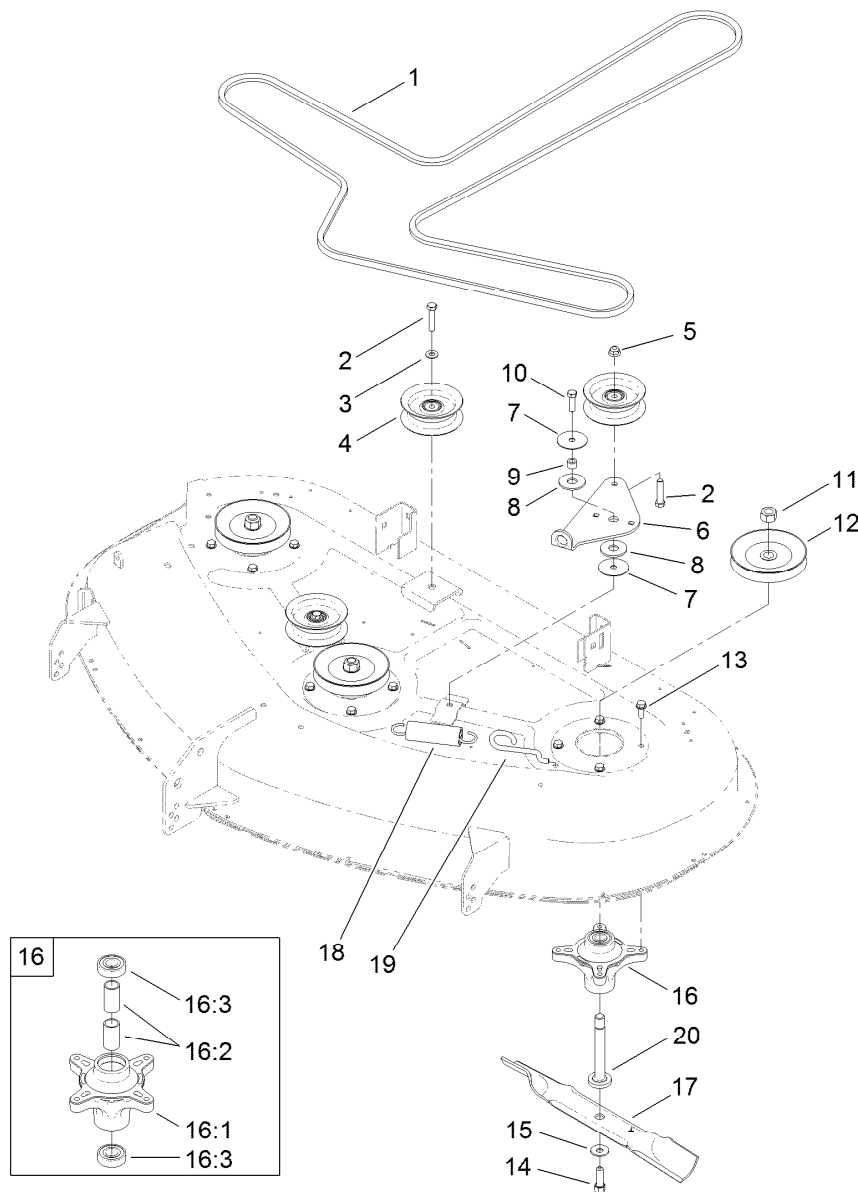
## 50 Inch Deck Assembly

<i>Ref.</i>	<i>Part Number</i>	<i>Qty.</i>	<i>Description</i>	<i>Ref.</i>	<i>Part Number</i>	<i>Qty.</i>	<i>Description</i>
1	119-8841	1	50 Inch Deck And Decal ASM	11	322-3	2	Screw-HH
2	119-3494	1	Bracket-Hanger, RH	12	95-3270	1	Connector-Hose
3	119-3496	1	Bracket-Hanger, LH	13	112-3983-03	1	Baffle-Cutoff
4	104-8301	7	Nut-Flange, NI	14	108-7890	2	Cover-Belt
5	3231-2	4	Bolt-CARR	15	32144-1	6	Screw-Taptite
6	104-8300	2	Nut-Flange, NI	16	112-3977	3	Bolt-Shoulder
7	95-2747	2	Fitting-Washout	17	1-603299	3	Roller-Scalp, Anti
8	46-6290	2	O-Ring, Seal	18	112-3950	1	Rod-Pivot
9	46-8560	4	Screw-HHFTF	19	108-7895	1	Deflector
10	117-1223	1	Decal	20	110-6694	1	Spring-Torsion
				22	3296-59	1	Nut-Lock, NI



## 50 Inch Deck Decal Assembly No. 119-8841

<i>Ref.</i>	<i>Part Number</i>	<i>Qty.</i>	<i>Description</i>
2	114-1606	2	Decal-Danger
3	93-7009	1	Decal-Danger, Deflector
4	110-6691	2	Decal-Danger
5	99-3943	1	Decal-Routing, Belt
7	322-2	1	Screw-HH
8	3230-23	1	Screw-CARR
9	104-8300	2	Nut-Flange, NI
10	112-9840	1	Decal-Scalp, Anti



## 50 Inch Deck Belt, Spindle and Blade Assembly

Ref.	Part Number	Qty.	Description	Ref.	Part Number	Qty.	Description
1	119-8820	1	V-Belt	13	32144-41	12	Screw-Taptite
2	323-9	3	Screw-HH	14	26-0671	3	Screw-HH
3	3256-24	2	Washer-Flat	15	3290-465	3	Washer-Belleville
4	106-2175	3	Pulley-Idler, Flat	16	121-0751	3	Spindle ASM
5	104-8301	1	Nut-Flange, NI	16:1	117-7267	1	Spindle
6	114-8540	1	Arm-Idler	16:2	120-7935	2	Spacer
7	120-2229	2	Washer-Idler Pivot	16:3	100-1048	2	Bearing-Ball
8	114-0463	2	Washer-Friction, Composite	17	115-5059-03	3	Blade-Hi Lift, 17.50 Inch
9	115-4986	1	Spacer	18	1-603414	1	Spring-Extension
10	323-7	1	Screw-HH	19	112-3973	1	Hook-Return, Spring
11	3219-6	3	Nut-Hex	20	117-7268	3	Shaft-Spindle
12	110-6865	3	Pulley				

# Attachments and Accessories

## For 74631 TimeCutter SS 5000 Riding Mower

<b>Product Name</b>	<b>Model/Part</b>
Armrest Kit (Milsco) .....	105-6978
Deck Ring Kit .....	114-1608
Hourmeter Kit, 2011 and After TimeCutter Riding Mower .....	120-5498
Striping Kit, 42in and 50in Mowers .....	120-7905
Foot Assist Deck Lift Kit, 2011 and After Zero-Turn-Radius Riding Mower .....	79010
Sunshade Kit, 2011 and After Zero-Turn-Radius Riding Mower .....	79011
Hitch Kit .....	79014
Replacement Blade Kit, 2007 and After TimeCutter Riding Mower with 50in Mower .....	79016
50in Recycler Kit, 2007 and After Riding Mower .....	79019
Floor Mat Kit, 2011 and After Zero-Turn-Radius Riding Mower with 50in Cutting Unit .....	79021
Cargo Carrier .....	79030
Front Weight Kit .....	79031
Storage Cover .....	79317
50in Bagger, 2011 and After TimeCutter 5000 Series Riding Mower .....	79335
10 cu. ft. Poly Dump Cart .....	79991



**Notes:**

**Notes:**

**Notes:**



**Count on it.**