



# 12in Cordless Trimmer

Model No. 51484—Serial No. 314000001 and Up

Model No. 51484T—Serial No. 314000001 and Up

## Operator's Manual

Model 51484T does not include a battery or a charger.



If you have questions or problems, contact us at [www.Toro.com](http://www.Toro.com) or call toll free 1-800-237-2654 (US) or 1-800-248-3258 (Canada) before returning this product.

## General Safety Rules

### ⚠ WARNING

#### CALIFORNIA Proposition 65 Warning

This product contains a chemical or chemicals known to the State of California to cause cancer, birth defects, or reproductive harm.

WARNING: When using electric gardening appliances, basic safety precautions should always be followed to reduce the risk of fire, electric shock, and personal injury, including the following:

#### Read all instructions.

The term "power tool" in all of the warnings refers to your mains-operated (corded) power tool or battery-operated (cordless) power tool.

#### 1. Work area safety

- Keep work area clean and well lit.** Cluttered or dark areas invite accidents.
- Do not operate power tools in explosive atmospheres, such as in the presence of flammable liquids, gases or dust.** Power tools create sparks which may ignite the dust or fumes.
- Keep children and bystanders away while operating a power tool.** Distractions can cause you to lose control.

#### 2. Electrical safety

- Power tool plugs must match the outlet. Never modify the plug in any way. Do not use any adapter plugs with earthed (grounded) power tools.** Unmodified plugs and matching outlets will reduce risk of electric shock.
- Avoid body contact with earthed or grounded surfaces.** There is an increased risk of electric shock if your body is earthed or grounded.
- Do not abuse the cord. Never use the cord for carrying, pulling or unplugging the power tool.**

Keep cord away from heat, oil, sharp edges or moving parts. Damaged or entangled cords increase the risk of electric shock.

- Do not expose power tools to rain or wet conditions.** Water entering a power tool will increase the risk of electric shock.
- If operating a power tool in a damp location is unavoidable, use a supply protected by a residual current device (RCD) in AUS or a ground fault interrupt (GFI) in the USA.**

Use of an RCD or GFI reduces the risk of electric shock.

#### 3. Personal safety

- Stay alert; watch what you are doing and use common sense when operating a power tool. Do not use a power tool while you are tired or under the influence of drugs, alcohol or medication.** A moment of inattention while operating power tools may result in serious personal injury.
- Use personal protective equipment. Always wear eye protection.** Protective equipment such as dust mask, non-skid safety shoes, hard hat, or hearing protection used for appropriate conditions will reduce personal injuries.
- Prevent unintentional starting. Ensure the switch is in the off-position before connecting to power source and/or battery pack, picking up or carrying the tool.** Carrying power tools with your finger on the switch or energizing power tools that have the switch on invites accidents.
- Do not overreach. Keep proper footing and balance at all times.** This enables better control of the power tool in unexpected situations.
- Dress properly. Do not wear loose clothing or jewelry. Keep your hair, clothing and gloves away from moving parts.** Loose clothes, jewelry, or long hair can be caught in moving parts.
- Keep hands and feet away from the cutting area.**

#### 4. Power tool use and care

- Do not force the power tool. Use the correct power tool for your application.** The correct power tool will do the job better and safer at the rate for which it was designed.



- B. **Do not use the power tool if the switch does not turn it on and off.** *Any power tool that cannot be controlled with the switch is dangerous and must be repaired.*
- C. **Remove the battery pack from the power tool before making any adjustments, changing accessories, or storing power tools.** *Such preventive safety measures reduce the risk of starting the power tool accidentally.*
- D. **Store idle power tools out of the reach of children and do not allow persons unfamiliar with the power tool or these instructions to operate the power tool.** *Power tools are dangerous in the hands of untrained users.*
- E. **Store idle appliances indoors.** *When not in use, appliances should be stored indoors in a dry and high or locked-up place, out of the reach of children.*
- F. **Maintain power tools. Check for misalignment or binding of moving parts, breakage of parts and any other condition that may affect the power tools operation. If damaged, have the power tool repaired before use.** *Many accidents are caused by poorly maintained power tools.*
- G. **Keep cutting tools sharp and clean.** *Properly maintained cutting tools with sharp cutting edges are less likely to bind and are easier to control.*
- H. **Use the power tool in accordance with these instructions and in the manner intended for the particular type of power tool, taking into account the working conditions and the work to be performed.** *Use of the power tool for operations different from those intended could result in a hazardous situation.*
- I. **Keep guards in place and in working order.**

## 5. Service

**Have your power tool serviced by a qualified repair person using only identical replacement parts.** *This will ensure that the safety of the power tool is maintained.*

## 6. Battery Safety

- A. Do not charge appliance in rain, or in wet locations.
- B. Do not use battery-operated appliance in the rain.
- C. Use only the following type and size battery(ies): Toro battery model 88502.
- D. Remove or disconnect the battery before servicing, cleaning, or removing material from the gardening appliance.
- E. Do not dispose of the battery(ies) in a fire. The cell may explode. Check with local codes for possible special disposal instructions.
- F. Do not open or mutilate the battery(ies). Released electrolyte is corrosive and may cause damage to the eyes or skin. It may be toxic if swallowed.
- G. Exercise care in handling batteries in order not to short the battery with conducting materials such as rings, bracelets, and keys. The battery or conductor may overheat and cause burns.

**SAVE THESE INSTRUCTIONS**

# Safety and Instructional Decals



Safety decals and instructions are easily visible to the operator and are located near any area of potential danger. Replace any decal that is damaged or lost.

Symbol	Name	Designation/Explanation
DC	Direct current	Type of current
V	Volts	Voltage



125-3281

Model 51484

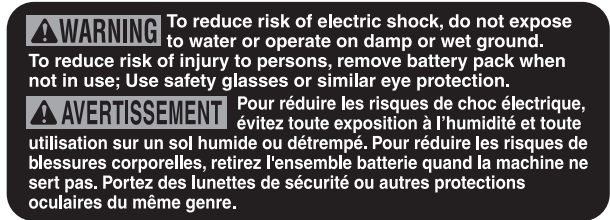
1. Warning—read the *Operator's Manual*; do not operate in wet conditions; wear eye protection.



121-7657

Model 51484T

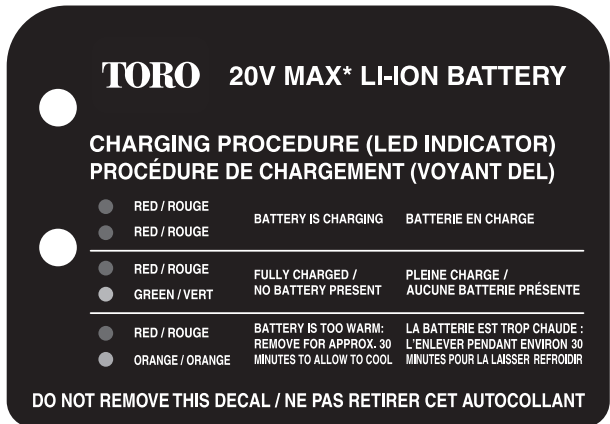
1. Warning—read the *Operator's Manual*; do not operate in wet conditions; wear eye protection.



125-3280



121-7615



121-7691

**TORO**

**LITHIUM-ION BATTERY CHARGER**  
**CHARGEUR BATTERIE LITHIUM-ION**  
 Input: 100-120V AC, 50-60Hz, 70W  
 Output: 18V MAX\* DC  $\equiv$  2.6A

\*Maximum initial voltage without workload, as rated by battery manufacturer. Under workload, nominal voltage is 18V DC  $\equiv$ .

\*Tension initiale maximale sans charge, telle qu'indiquée par le fabricant de la batterie. Mesurée sous charge, la tension nominale est de 18 V DC  $\equiv$ .

**⚠ WARNING** To reduce the risk of injury, user must read the instruction manual. Use only with 88502 Lithium-ion Battery Pack. **FOR INDOOR USE ONLY.**

**⚠ AVERTISSEMENT** Pour réduire le risque de blessures, l'utilisateur doit lire le manuel d'utilisation. Utiliser uniquement avec 88502 Lithium-ion Battery Pack. **POUR UN USAGE INTÉRIEUR.**

Backfeed Protection / Protection contre le retour d'énergie

**THE TORO COMPANY**  
 8111 Lyndale Avenue South  
 Bloomington, MN 55420-1196 USA

Country of Origin: China / Pays d'origine : Chine  
 Manufactured by CHANGZHOU GLOBE CO.,LTD  
 Fabriqué par CHANGZHOU GLOBE CO.,LTD

**UL** LISTED  
 E199657  
 Class 2 Battery Charger  
 4DH6  
 Chargeur de batterie Classe 2

Model: **88500** SL  
 Modèle : **88500** SL  
 Serial Number: **[REDACTED]**  
 Numéro de série : **[REDACTED]**  
 Date Code: **[REDACTED]**  
 Code de date : **[REDACTED]**

**BC**

125-3279

**TORO** 20V MAX\* DC  $\equiv$  36Wh  
 Li-Ion Battery / Batterie au lithium-ion

\*Maximum initial voltage without workload, as rated by battery manufacturer. Under workload, nominal voltage is 18V DC  $\equiv$ .

\*Tension initiale maximale sans charge, telle qu'indiquée par le fabricant de la batterie. Mesurée sous charge, la tension nominale est de 18 V DC  $\equiv$ .

**⚠ WARNING** To reduce the risk of injury, user must read the instruction manual. Wear eye protection. Do not short terminals. Do not throw into fire. Use only with Toro battery charger 88500. When charging make sure temperature is between 0° to 40°C (32° to 104°F), -15° to 50°C (5° to 122°F) for discharge. Risk of fire, explosion and burns. Do not disassemble, crush, expose to heat above 100°C (212°F), or incinerate. Keep battery out of reach of children.

**⚠ AVERTISSEMENT** Pour réduire le risque de blessures, l'utilisateur doit lire le manuel d'utilisation. Portez des lunettes de protection. Ne pas court-circuiter. Ne jetez pas au feu. Utilisez uniquement avec chargeur de batterie Toro 88500. Lorsque vous chargez la batterie, assurez-vous que la température est de 0 à 40 °C (32 à 104 °F), -15 à 50 °C (5 à 122 °F) pour la décharge. Risque d'incendie, d'explosion et des brûlures. Ne pas démonter, écraser, exposer à une température au-dessus de 100 °C (212 °F) ou incinérer. Conservez la batterie hors de portée des enfants.

MH46448 Country of Origin: China / Pays d'origine : Chine

**RU** Model: **88502**  
 Modèle : **88502**  
 Serial Number: **[REDACTED]**  
 Numéro de série : **[REDACTED]**  
 Date Code: **[REDACTED]**  
 Code de date : **[REDACTED]**

**RECYCLE**  
 L.W.

125-3295

# Setup

## Loose Parts

Use the chart below to verify that all parts have been shipped.

Procedure	Description	Qty.	Use
<b>1</b>	Auxiliary handle	1	Installing auxiliary handle.
	Latch	1	
	Brace	1	
<b>2</b>	Guard	1	Mounting the guard to the base of the trimmer.
	Phillips head screw	1	
<b>3</b>	Wire edge guard	1	Installing the edge guard
<b>4</b>	No parts required	–	Adjust the auxiliary handle, trimmer height, and base position.

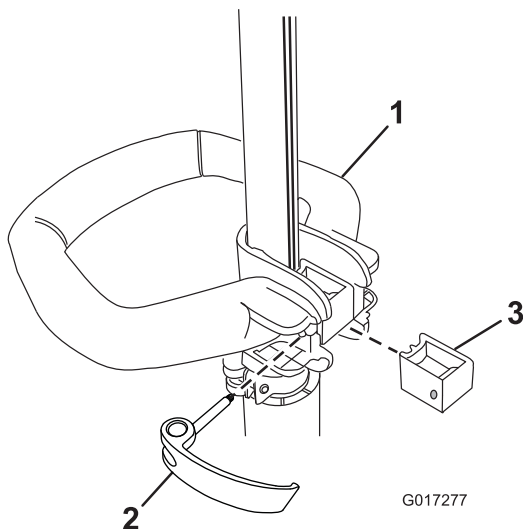
# 1

## Installing the Auxiliary Handle

### Parts needed for this procedure:

1	Auxiliary handle
1	Latch
1	Brace

1. Position the auxiliary handle on the shaft of the trimmer with the smooth surface facing the operator (Figure 1).



**Figure 1**

1. Auxiliary handle
2. Latch
3. Brace

2. Slide the brace into the auxiliary handle so that the brace rests in the groove along the shaft (Figure 1).

3. Slide the latch from the left through the handle and brace as shown and tighten the latch screw with a Phillips head screwdriver (Figure 1).

# 2

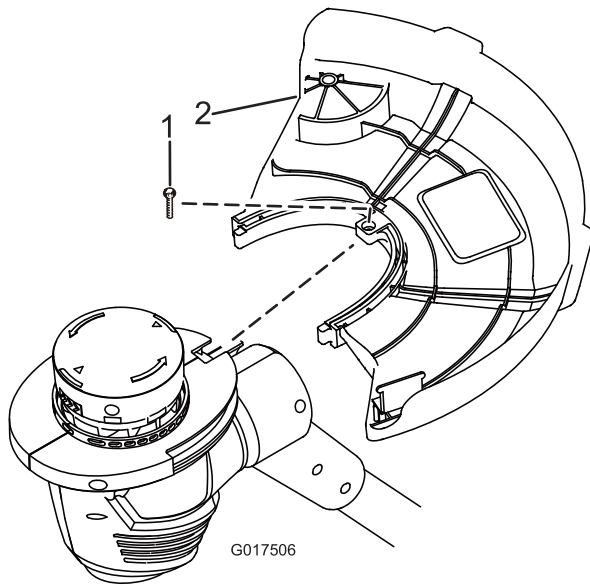
## Installing the Guard

### Parts needed for this procedure:

1	Guard
1	Phillips head screw

### Procedure

1. Remove the Phillips that is taped to the guard (Figure 2).
2. Slide the guard onto the trimmer base as shown in Figure 2.



**Figure 2**

1. Phillips head screw
2. Guard

- 
3. Secure the guard using a Phillips head screw.

# 3

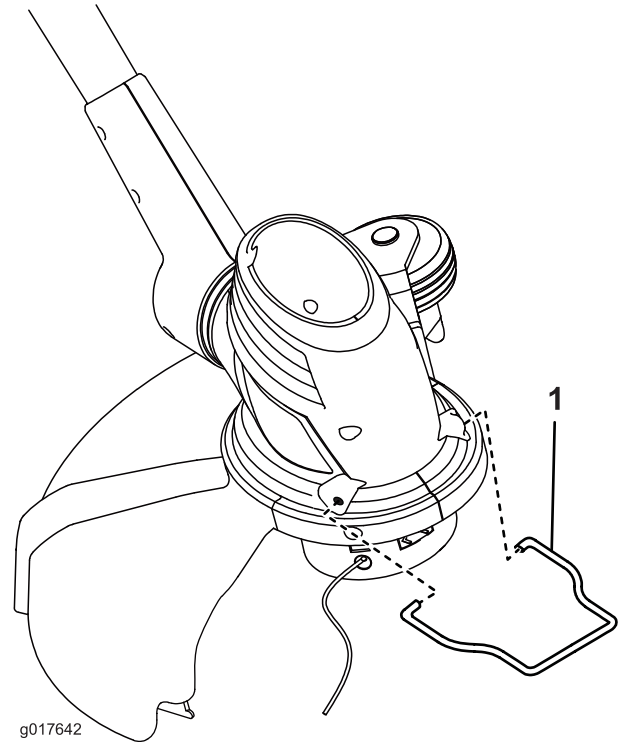
## Installing the Edge Guard

### Parts needed for this procedure:

1	Wire edge guard
---	-----------------

### Procedure

Insert the ends of the wire edge guard into the holes in the trimmer housing, as shown in Figure 3.



**Figure 3**

1. Wire edge guard

# 4

## Adjusting the Auxiliary Handle, Trimmer Height, and Base Position

### No Parts Required

### Procedure

- To adjust the auxiliary handle height, release the auxiliary handle latch, slide the auxiliary handle up or down to the desired height, then secure the auxiliary handle in place by closing the auxiliary latch (Figure 4).

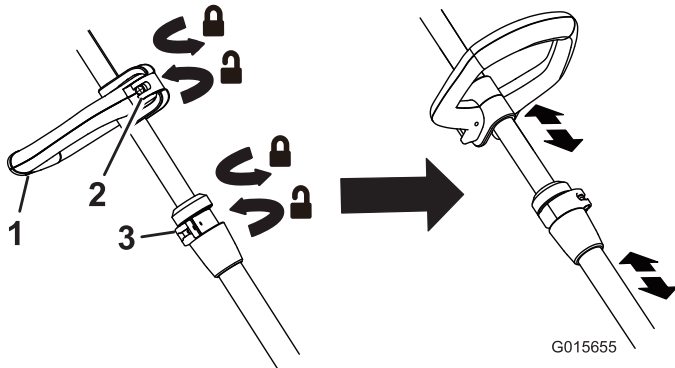


Figure 4

- Auxiliary handle
- Auxiliary handle latch
- Height adjustment latch

- To adjust the trimmer height, open the height adjustment latch, then slide the shaft up or down to desired height, securing it in place with the latch (Figure 4).
- To adjust the position of the base, press down on the rotator button located at the base of the shaft, then move the base to face the desired direction (Figure 5).

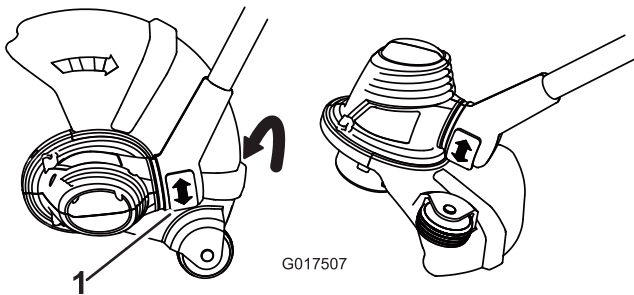


Figure 5

- Rotator button

## Operation

**Important:** The battery pack is not fully charged when it is purchased. Before using the trimmer for the first time,

place the battery pack in the charger and charge until the LED indicators turn green. Make sure to read all safety precautions. With regular use, it will need shorter charging time. If storing for a prolonged period of time, remove the battery. When ready to use again, charge the battery pack until the LED indicators turn green.

## Starting the Trimmer

- Align the tongue of the battery pack with the cavity in the handle housing (Figure 6).

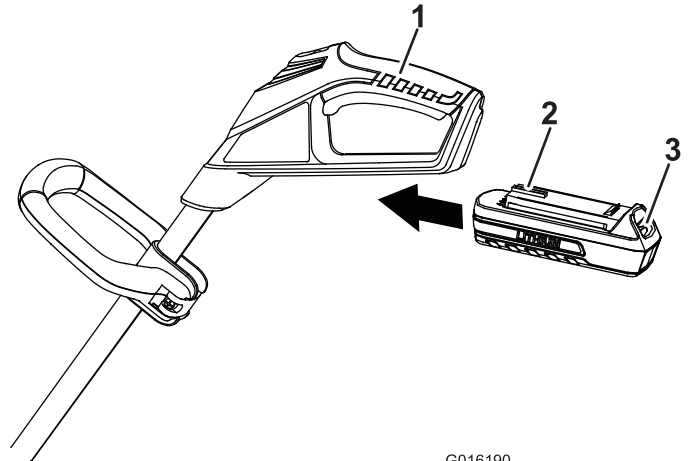


Figure 6

- Trigger handle
- Tongue
- Latch

- Grasp the trigger handle (Figure 6).
- Push the battery pack into the handle until the latch locks into place.
- To start the trimmer, slide the lock switch back to the On position, then squeeze the trigger (Figure 6).

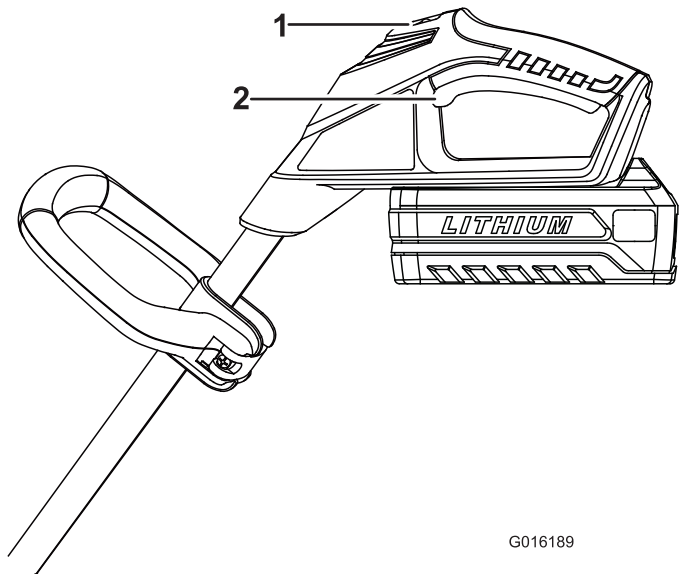


Figure 7

- Lock switch
- Trigger

# Stopping the Trimmer

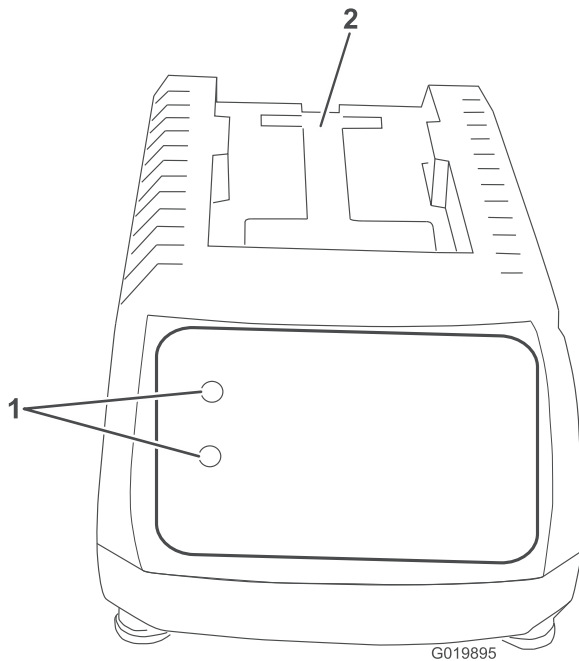
To stop the trimmer, release the trigger.

2. Slide the battery into the charger until it clicks into place.
3. To remove the battery, press down on the release button and slide the battery backwards out of the charger.

# Charging the Battery Pack

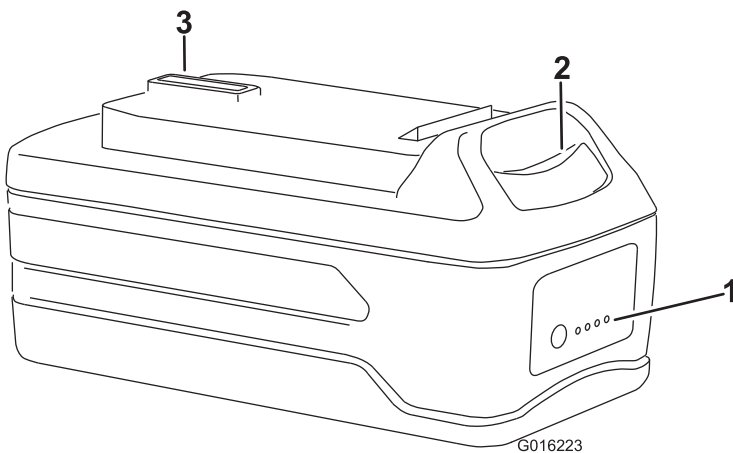
**Important:** For best results, your battery tool should be charged in a location where the temperature is more than 0° C (32° F) but less than 40° C (104° F). To reduce the risk of serious personal injury, do not store outside or in vehicles. Charging time will increase if not charged within this range.

1. Turn the battery upside down and line up the battery terminal with the slot in the charger (Figure 8 and Figure 9).



**Figure 8**

1. LED indicators
2. Insert battery here



**Figure 9**

1. LED indicators (level of charge)
2. Release button
3. Battery terminal



4. Refer to the table below to interpret the LED indicators on the battery charger.

LED COLOR		
Top	Bottom	Indicates:
Red	Red	Battery is charging
Red	Green	Fully charged
Red	Orange	Battery is too warm: Remove for approximately 30 minutes

## Advancing the Line

**Note:** The trimmer is equipped with an auto-feed head.

1. With the trimmer running, release the switch trigger.
2. Wait two seconds, then slide the lock switch back to the On position and squeeze the trigger.

**Note:** The line will extend approximately 1/4 inch (6 mm) with each stop and start of the switch trimmer until the line reaches the length of the grass deflector blade.

3. Resume trimming.

## Advancing the Line Manually

Remove the battery from the trimmer, then push the red button at the base of the spool retainer while pulling on the trimmer line to manually advance the line.

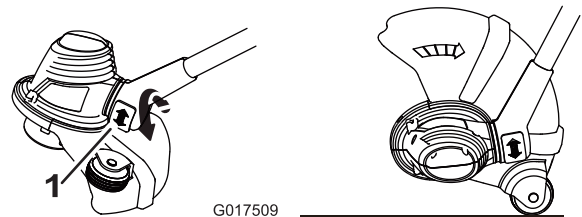
## Trimming



Figure 10

## Edging

As an edger, press the rotator button and rotate the head as shown in Figure 11.



G017509

Figure 11

1. Rotator button

## Operating Tips

- Keep the trimmer tilted toward the area being cut; this is the best cutting area.
- The string trimmer cuts when passing the unit from left to right. This will avoid throwing debris at the operator.
- Use the tip of the string to do the cutting; do not force string head into uncut grass.
- Wire and picket fences cause extra string wear, even breakage. Stone and brick walls, curbs, and wood may wear string rapidly.
- Avoid trees and shrubs. Tree bark, wood moldings, siding, and fence posts can easily be damaged by the strings.

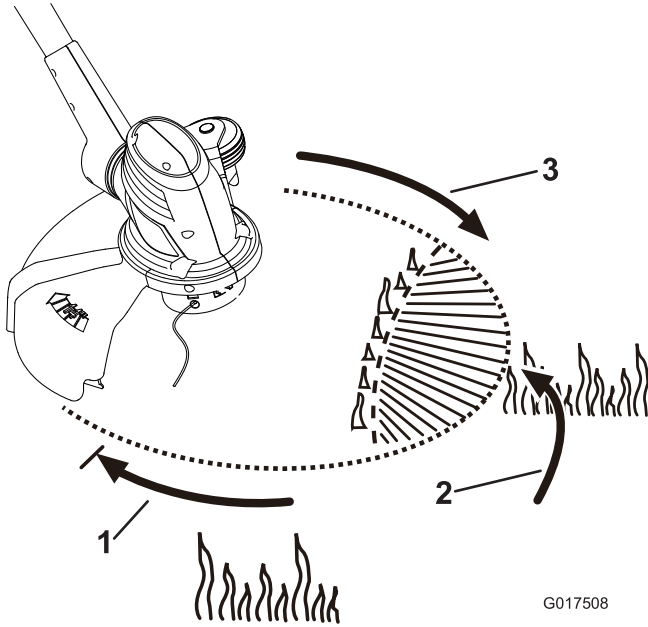


Figure 12

G017508

1. Direction of rotation
2. Ideal cutting range
3. String path

## Maintenance

After each use of the trimmer, complete the following:

1. Remove the battery from the trimmer.
2. Wipe the trimmer clean with a damp cloth. Do not hose the trimmer down or submerge it in water.

### CAUTION

The line cut-off blade on the deflector is sharp and can cut you. Do not use your hands to clean the deflector shield and blade.

3. Wipe or scrape clean the cutting head area any time there is an accumulation of debris.
4. Check and tighten all fasteners. If any part is damaged or lost, repair or replace it.
5. Brush debris away from air intake vents on motor housing to prevent the motor from overheating.

## Replacing the Spool

Use only .065 inch (1.65 mm) diameter monofilament string. Use original manufacturer's replacement string for best performance (Toro part number 88532 or 88524).

**Important: Use of a larger diameter string will cause the motor to overheat and fail.**

1. Remove the battery.
2. Push in the tabs on the side of the spool retainer (Figure 13).

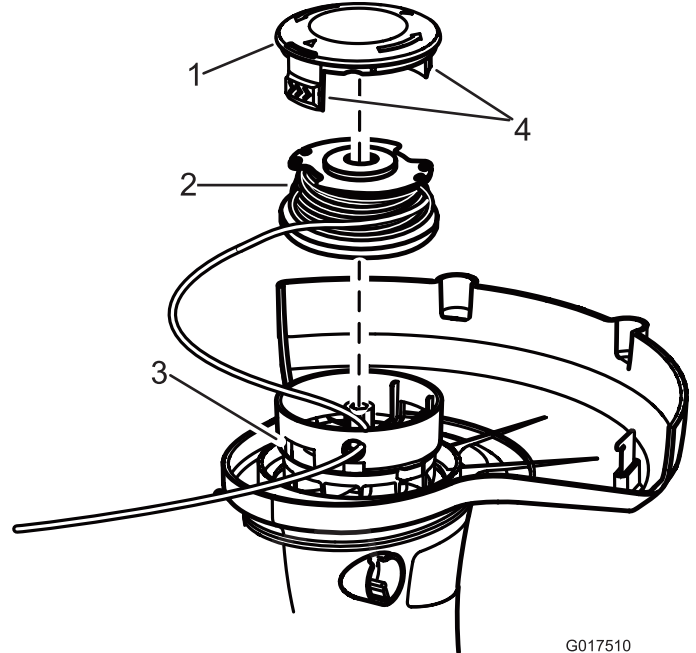


Figure 13

G017510

1. Spool retainer
2. Spool
3. Pull the spool retainer up to remove it and remove the spool.
3. Slots
4. To install the new spool, make sure the string is captured in one of the retaining slots on the new spool. Make sure the end of the string extends approximately 6 inches (152 mm).
4. Tabs
5. Install the new spool so that the string aligns with the eyelet in the string head. Thread the string into the eyelet.
6. Pull the string extending from the string head so the string releases from the slot in the spool.
7. Reinstall the spool retainer by depressing tabs into slots and pushing down until spool retainer clicks into place.

## Replacing the String

1. Remove the battery.
2. Remove the spool. See Replacing the Spool (Figure 13).

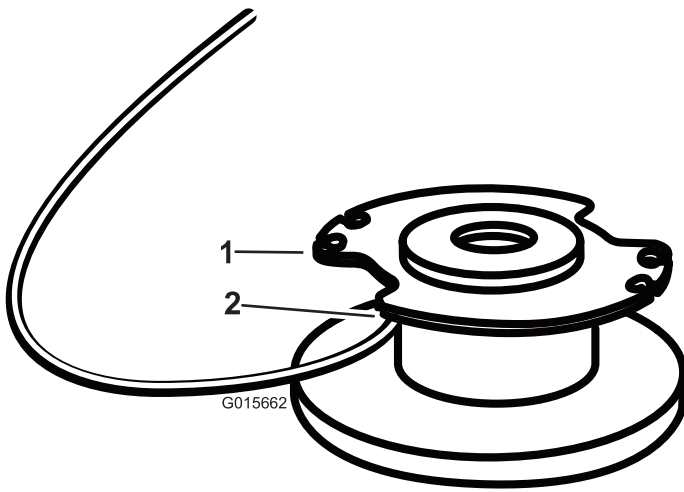


Figure 14

1. Spool                                  2. Hole

**Note:** Remove any old string remaining on the spool.

3. The spool will accept up to 15 feet of string. **Use only .065 inch (1.65 mm) diameter monofilament string.**

**Note:** Do not use any other gauge or type of string, as this could damage the trimmer.

4. Insert the string into the anchor hole in the upper part of the spool (Figure 14). Wind the string onto the spool in the direction shown by the arrows on the spool.
5. Place the string in the slot on the upper spool flange, leaving about 6 inch (152 mm) extended beyond the slot.

**Note:** Do not overfill. After winding the string, there should be at least 1/4 inch (6 mm) between the wound string and the outside edge of the spool.

6. Replace the spool and the spool retainer. Refer to Spool Replacement earlier in this manual.

- Store it in a well-ventilated place that is inaccessible to children.
- Keep away from corrosive agents such as garden chemicals and de-icing salts.

## Troubleshooting

Using the battery when it is hot can reduce the operating time. The battery will automatically stop working when it is overheated to prevent damage to it. Remove the battery from the charger and allow it to cool before placing it back into the trimmer.

Using the battery when there is moisture on the leads can cause the trimmer to malfunction. Allow the battery to dry or wipe it dry before placing it back into the trimmer.

## Preparing the Battery Pack for Recycling

### **⚠ WARNING**

Before recycling, cover the terminals of the battery pack with heavy-duty adhesive tape. Do not attempt to destroy or disassemble the battery pack or remove any of its components. Lithium-ion batteries must be recycled or disposed of properly at the nearest battery recycling facility.

## Service

Should this item need service, take the product to your Authorized Toro Service Dealer. Your Toro Dealer is specially trained to repair Toro products and will ensure that your Toro stays "All Toro."

## Storage

- Clean all foreign material from the product.

## The Toro Promise - Electric Products

### A Two-Year Full Warranty for Residential Use for the United States and Canada

The Toro Company and its affiliate, Toro Warranty Company, pursuant to an agreement between them, jointly warrant this product for two years against defects in material or workmanship when used for normal residential purposes.\*

If you think your Toro Product contains a defect in materials or workmanship, if you have questions or problems, and before returning this product call toll free:

**Trimmers:**

1-800-237-2654 (US)  
1-800-248-3258 (Canada)

**Blowers:**

1-888-367-6631 (US)  
1-888-430-1687 (Canada)  
1-800-574-3312 (Mexico)

**Snowthrowers:**

1-800-808-2963 (US)  
1-800-808-3072 (Canada)

To receive a replacement or repair, at our option, return the complete unit to the seller. United States and Canada customers may return their product, with proof of purchase, to any Authorized Service Dealer. United States customers may also return their product, with proof of purchase, postage prepaid, to the Toro Service Center, 5500 SE Delaware, Ankeny, IA 50021.

This warranty covers product defects only. **Neither The Toro Company nor Toro Warranty Company is liable for indirect, incidental, or consequential damages in connection with the use of the Toro Products covered by this warranty, including any cost or expense of providing substitute equipment or service during reasonable periods of malfunction or non-use pending completion of repairs under this warranty. Some states do not allow exclusions of incidental or consequential damages, so the above exclusions may not apply to you.** This warranty gives you specific legal rights, and you may also have other rights which vary from state to state.

### Countries Other than the United States and Canada

Customers who have purchased Toro products exported from the United States or Canada should contact their Toro Distributor (Dealer) to obtain guarantee policies for your country, province, or state. If for any reason you are dissatisfied with your Distributor's service or have difficulty obtaining guarantee information, contact the Toro importer. If all other remedies fail, you may contact us at Toro Warranty Company.

### Australian Consumer Law

Australian customers will find details relating to the Australian Consumer Law either inside the box or at your local Toro Dealer.

\* Residential use means use of the product on the same lot as your home.

Part Number 374-0262 Rev. D



# Desbrozadora inalámbrica de 30 cm (12 pulgadas)

Form No. 3379-692 Rev A

Nº de modelo 51484—Nº de serie 314000001 y superiores

Nº de modelo 51484T—Nº de serie 314000001 y superiores

## Manual del operador

El Modelo 51484T no incluye ni batería ni cargador.



Si usted tiene alguna pregunta o algún problema, contáctenos en [www.Toro.com](http://www.Toro.com) o llame al teléfono gratuito 1-800-237-2654 (EE. UU.) o 1-800-248-3258 (Canadá) antes de devolver este producto.

## Normas generales de seguridad

### ⚠ ADVERTENCIA

#### CALIFORNIA

#### Advertencia de la Propuesta 65

Este producto contiene una o más sustancias químicas que el Estado de California considera causantes de cáncer, defectos congénitos o trastornos del sistema reproductor.

ADVERTENCIA: Cuando se utilizan aparatos de jardinería eléctricos, es necesario observar unas normas básicas de seguridad, incluyendo las siguientes, a fin de reducir el riesgo de incendio, descarga eléctrica y lesiones personales:

#### Lea todas las instrucciones.

El término "herramienta eléctrica" que aparece en las advertencias se refiere siempre a una herramienta accionada por el suministro eléctrico de la red (con cable) o una herramienta eléctrica accionada por batería (inalámbrica).

#### 1. Seguridad de la zona de trabajo

- A. **Mantenga la zona de trabajo limpia y bien iluminada.** Las zonas desordenadas u oscuras son una invitación al accidente.
- B. **No utilice herramientas eléctricas en atmósferas explosivas, como por ejemplo en presencia de líquidos inflamables, gases o polvo.** Las herramientas eléctricas crean chispas que pueden inflamar el polvo o los vapores.
- C. **Mantenga alejados a niños y otras personas mientras utiliza una herramienta eléctrica.** Las distracciones pueden hacer que pierda el control.

#### 2. Seguridad eléctrica

- A. **La clavija de la herramienta eléctrica debe ser del tipo correcto para el enchufe. Nunca modifique el enchufe en modo alguno. No utilice adaptadores de**

**enchufe con herramientas eléctricas con toma de tierra.** El uso de clavijas sin modificar y enchufes con toma de tierra reducirá el riesgo de descarga eléctrica.

- B. **Evite el contacto del cuerpo con superficies conectadas a tierra (masa).** Hay un mayor riesgo de descarga eléctrica si su cuerpo hace tierra.
- C. **No maltrate el cable. No utilice el cable nunca para transportar, arrastrar o desenchufar la herramienta eléctrica.** Mantenga el cable alejado del calor, del aceite, de los bordes cortantes y de las piezas móviles. Los cables dañados o enredados aumentan el riesgo de descarga eléctrica.
- D. **No exponga las herramientas eléctricas a la lluvia o a condiciones húmedas.** Si entra agua en una herramienta eléctrica, el riesgo de descarga eléctrica aumenta.
- E. **Si no es posible evitar usar una herramienta eléctrica en un lugar húmedo, utilice un suministro eléctrico protegido por un dispositivo de corriente residual (RCD) en AUS o por un dispositivo de interrupción de masa (GFI) en EE. UU.**

El uso de un RCD o GFI reduce el riesgo de descarga eléctrica.

#### 3. Seguridad personal

- A. **Manténgase alerta; esté atento a lo que está haciendo y utilice el sentido común mientras utiliza una herramienta eléctrica. No utilice una herramienta eléctrica si está cansado o bajo la influencia de drogas, alcohol o medicamentos.** Una breve falta de atención mientras utiliza una herramienta eléctrica puede provocar lesiones personales graves.
- B. **Utilice equipos de protección personal Lleve protección ocular siempre.** El uso de equipos de protección personal como mascarillas, calzado de seguridad antideslizante, casco y protección auditiva, en condiciones apropiadas, reducirá el riesgo de lesiones personales.
- C. **Evite el encendido accidental. Asegúrese de que el interruptor está en la posición de apagado antes de conectar la herramienta a la toma de corriente y/o a la batería, y antes de levantar o transportar la herramienta.** Transportar las herramientas eléctricas con el dedo sobre el interruptor o enchufar herramientas eléctricas con el interruptor en la posición de encendido es una invitación al accidente.



- D. **No intente alcanzar zonas demasiado alejadas. Pise firme y mantenga el equilibrio en todo momento.** *Esto permite un mayor control de la herramienta en situaciones imprevistas.*
  - E. **Utilice la ropa adecuada. No lleve ropas o joyas sueltas. Mantenga el pelo, la ropa y los guantes alejados de las piezas móviles.** *La ropa suelta, las joyas y el pelo largo pueden quedar atrapados en piezas móviles.*
  - F. **Mantenga las manos y los pies alejados de la zona de corte.**
4. **Uso y cuidado de las herramientas eléctricas**
- A. **No fuerce la herramienta eléctrica. Utilice la herramienta eléctrica adecuada para el trabajo a realizar.** *La herramienta eléctrica correcta realizará el trabajo mejor y con mayor seguridad a la velocidad para la que fue diseñada.*
  - B. **No utilice la herramienta eléctrica si el interruptor no la enciende y apaga.** *Cualquier herramienta eléctrica que no pueda ser controlada con el interruptor es peligrosa y debe ser reparada.*
  - C. **Retire la batería de la herramienta eléctrica antes de realizar cualquier ajuste, cambiar de accesorio o almacenar la herramienta.** *Estas medidas de seguridad preventivas reducen el riesgo de un arranque accidental de la herramienta eléctrica.*
  - D. **Si no la está usando, guarde la herramienta eléctrica fuera del alcance de los niños, y no permita que la utilicen personas no familiarizadas con la herramienta eléctrica o con estas instrucciones de uso de la herramienta eléctrica.** *Las herramientas eléctricas son peligrosas en manos de usuarios inexpertos.*
  - E. **Guarde bajo techo los aparatos que no se están utilizando.** *Cuando no se están utilizando, los aparatos deben guardarse en un lugar seco, en alto o bajo llave, y fuera del alcance de los niños.*
  - F. **Mantenimiento de las herramientas eléctricas. Compruebe que las piezas móviles están correctamente alineadas y que se mueven libremente sin agarrotarse, que no hay piezas rotas, y que no hay otras circunstancias que podrían afectar al uso de la herramienta eléctrica. Si existen daños, haga reparar la herramienta eléctrica antes de usarla.** *Muchos accidentes se deben a un mantenimiento deficiente de las herramientas eléctricas.*
  - G. **Mantenga las herramientas de corte afiladas y limpias.** *Una herramienta de corte bien mantenida con filos bien afilados es más fácil de controlar y hay menos probabilidades de que se agarrote.*
  - H. **Utilice la herramienta eléctrica según lo indicado en estas instrucciones y de la manera prevista para cada tipo de herramienta eléctrica, teniendo en cuenta las condiciones de trabajo y el trabajo a realizar.** *El uso de la herramienta eléctrica para operaciones diferentes de las previstas podría dar lugar a una situación de peligro.*
  - I. **Mantenga los protectores colocados y en buen estado de funcionamiento.**

#### 5. **Mantenimiento**

**El mantenimiento de su herramienta eléctrica debe ser realizado por un técnico de reparaciones debidamente cualificado, utilizando únicamente piezas de repuesto**

**idénticas. Sólo de esta manera se garantiza el mantenimiento de la seguridad de la herramienta eléctrica.**

#### 6. **Seguridad de las baterías**

- A. No cargue el aparato bajo la lluvia o en lugares húmedos.
- B. No utilice aparatos alimentados por batería bajo la lluvia.
- C. Utilice únicamente baterías del siguiente tipo y tamaño: **Batería Toro Modelo 88502.**
- D. Retire o desconecte la batería antes de realizar tareas de mantenimiento o limpieza, y antes de retirar materiales del aparato de jardinería.
- E. No tire las baterías al fuego. Las celdas pueden explosionar. Compruebe si la normativa local contiene alguna instrucción especial sobre la eliminación de las baterías.
- F. No abra ni mutile las baterías. El electrolito liberado es corrosivo y puede causar daños en los ojos o la piel. Puede ser tóxico si es ingerido.
- G. Al manejar las baterías, tenga cuidado de no hacer cortacircuito con materiales conductores, tales como anillos, pulseras o llaves. La batería o el conductor pueden recalentarse y causar quemaduras.

#### **GUARDE ESTAS INSTRUCCIONES**

# Pegatinas de seguridad e instrucciones



Las pegatinas e instrucciones de seguridad están a la vista del operador y están ubicadas cerca de cualquier zona de peligro potencial. Sustituya cualquier pegatina que esté dañada o que falte.

Símbolo	Nombre	Designación/explicación
CC	Corriente continua	Tipo de corriente
V	Voltios	Voltaje (Tensión)



125-3281

Modelo 51484

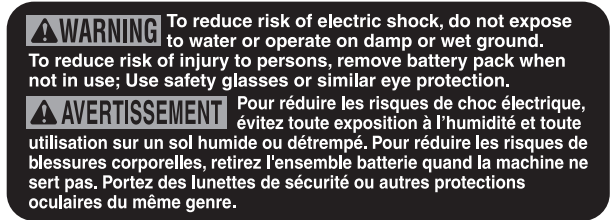
1. Advertencia – lea el *Manual del operador*; no utilice la máquina en condiciones húmedas; lleve protección ocular.



121-7657

Modelo 51484T

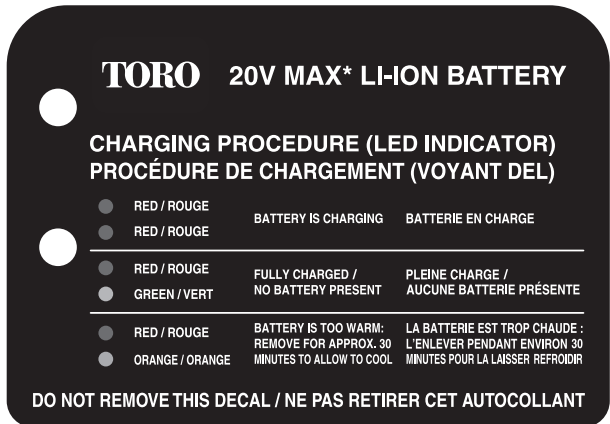
1. Advertencia – lea el *Manual del operador*; no utilice la máquina en condiciones húmedas; lleve protección ocular.



125-3280



121-7615



121-7691

**TORO**

**LITHIUM-ION BATTERY CHARGER**  
**CHARGEUR BATTERIE LITHIUM-ION**  
 Input: 100-120V AC, 50-60Hz, 70W  
 Output: 18V MAX\* DC  $\equiv$  2.6A

\*Maximum initial voltage without workload, as rated by battery manufacturer. Under workload, nominal voltage is 18V DC  $\equiv$ .

\*Tension initiale maximale sans charge, telle qu'indiquée par le fabricant de la batterie. Mesurée sous charge, la tension nominale est de 18 V DC  $\equiv$ .

**⚠ WARNING** To reduce the risk of injury, user must read the instruction manual. Use only with 88502 Lithium-ion Battery Pack. **FOR INDOOR USE ONLY.**




**⚠ AVERTISSEMENT** Pour réduire le risque de blessures, l'utilisateur doit lire le manuel d'utilisation. Utilisez uniquement avec 88502 Lithium-ion Battery Pack. **POUR UN USAGE INTÉRIEUR.**


Backfeed Protection / Protection contre le retour d'énergie

**THE TORO COMPANY**  
 8111 Lyndale Avenue South  
 Bloomington, MN 55420-1196 USA

Country of Origin: China / Pays d'origine : Chine  
 Manufactured by CHANGZHOU GLOBE CO.,LTD  
 Fabriqué par CHANGZHOU GLOBE CO.,LTD

 **UL** **US**  
**LISTED**  
 E199657  
 Class 2 Battery Charger  
 4DH6  
 Chargeur de batterie Classe 2

Model: **88500** SL  
 Modèle : **88500** SL  
 Serial Number:   
 Numéro de série :   
 Date Code:   
 Code de date : 



125-3279

**TORO** 20V MAX\* DC  $\equiv$  36Wh  
 Li-Ion Battery / Batterie au lithium-ion

\*Maximum initial voltage without workload, as rated by battery manufacturer. Under workload, nominal voltage is 18V DC  $\equiv$ .

\*Tension initiale maximale sans charge, telle qu'indiquée par le fabricant de la batterie. Mesurée sous charge, la tension nominale est de 18 V DC  $\equiv$ .

**⚠ WARNING** To reduce the risk of injury, user must read the instruction manual. Wear eye protection. Do not short terminals. Do not throw into fire. Use only with Toro battery charger 88500. When charging make sure temperature is between 0° to 40°C (32° to 104°F), -15° to 50°C (5° to 122°F) for discharge. Risk of fire, explosion and burns. Do not disassemble, crush, expose to heat above 100°C (212°F), or incinerate. Keep battery out of reach of children.

**⚠ AVERTISSEMENT** Pour réduire le risque de blessures, l'utilisateur doit lire le manuel d'utilisation. Portez des lunettes de protection. Ne pas court-circuiter. Ne jetez pas au feu. Utilisez uniquement avec chargeur de batterie Toro 88500. Lorsque vous chargez la batterie, assurez-vous que la température est de 0 à 40 °C (32 à 104 °F), -15 à 50 °C (5 à 122°F) pour la décharge. Risque d'incendie, d'explosion et des brûlures. Ne pas démonter, écraser, exposer à une température au-dessus de 100 °C (212 °F) ou incinérer. Conservez la batterie hors de portée des enfants.

MH46448 Country of Origin: China / Pays d'origine : Chine

 Model: **88502**  
 Modèle : **88502**  
 Serial Number:   
 Numéro de série :   
 Date Code:   
 Code de date : 

 **RECYCLE**  
 LW

125-3295



# Montaje

## Piezas sueltas

Utilice la tabla siguiente para verificar que no falta ninguna pieza.

Procedimiento	Descripción	Cant.	Uso
<b>1</b>	Empuñadura auxiliar	1	Instalación de la empuñadura auxiliar.
	Pestillo	1	
	Pieza de refuerzo	1	
<b>2</b>	Protector	1	Montaje del protector en la base de la desbrozadora.
	Tornillo de cabeza Phillips	1	
<b>3</b>	Protector de bordes de alambre	1	Instalación del protector de bordes
<b>4</b>	No se necesitan piezas	–	Ajuste la empuñadura auxiliar, la altura de la desbrozadora y la posición de la base.

# 1

## Instalación de la empuñadura auxiliar

### Piezas necesarias en este paso:

1	Empuñadura auxiliar
1	Pestillo
1	Pieza de refuerzo

1. Coloque la empuñadura auxiliar sobre el mango de la desbrozadora con la superficie lisa hacia el operador (Figura 1).

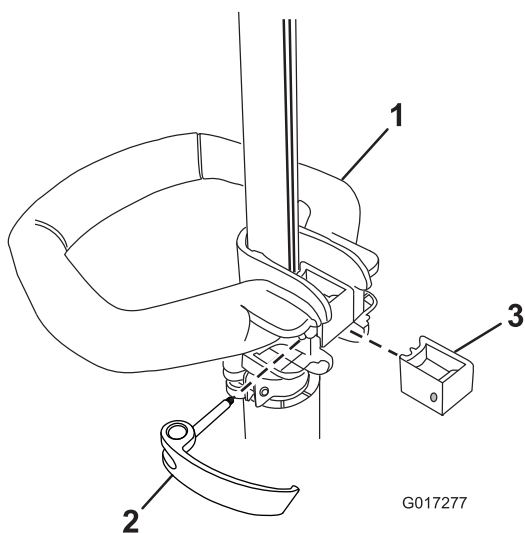


Figura 1

1. Empuñadura auxiliar
2. Pestillo
3. Pieza de refuerzo

2. Introduzca la pieza de refuerzo en la empuñadura auxiliar de manera que el refuerzo encaje en la ranura del mango (Figura 1).
3. Pase el pestillo desde la izquierda a través de la empuñadura y la pieza de refuerzo, según se indica, y apriete el tornillo del pestillo con un destornillador de punta Phillips (Figura 1).

# 2

## Instalación del protector

### Piezas necesarias en este paso:

1	Protector
1	Tornillo de cabeza Phillips

### Procedimiento

1. Retire el tornillo de cabeza Phillips sujeta con cinta al protector (Figura 2).
2. Deslice el protector sobre la base de la desbrozadora, según se muestra en Figura 2.

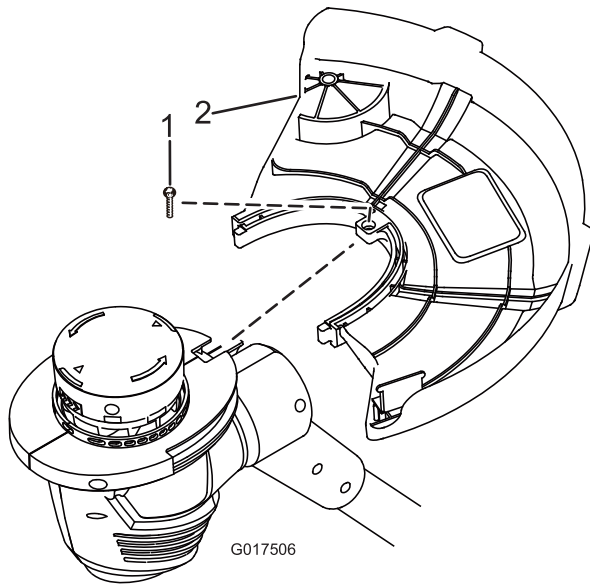


Figura 2

1. Tornillo de cabeza Phillips 2. Protector

- 
3. Sujete el protector usando un tornillo de cabeza Phillips.

# 3

## Instalación del protector de bordes

### Piezas necesarias en este paso:

1	Protector de bordes de alambre
---	--------------------------------

### Procedimiento

Introduzca los extremos del protector de bordes de alambre en los taladros de la carcasa de la desbrozadora, según se muestra en Figura 3.

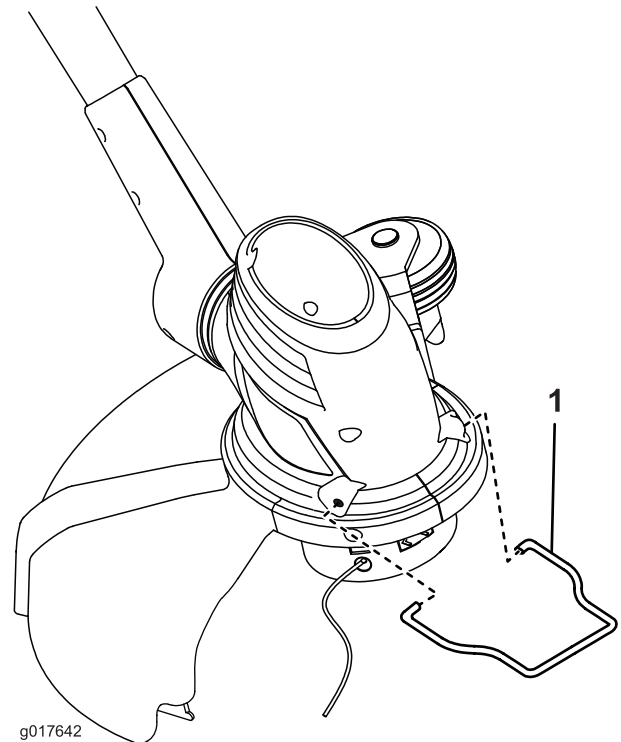


Figura 3

1. Protector de bordes de alambre

# 4

## Ajuste de la empuñadura auxiliar, la altura de la desbrozadora y la posición de la base

No se necesitan piezas

### Procedimiento

- Para ajustar la altura de la empuñadura auxiliar, abra el pestillo de la empuñadura auxiliar, deslice la empuñadura auxiliar hacia arriba o hacia abajo hasta obtener la altura deseada y sujete la empuñadura en su sitio cerrando el pestillo (Figura 4).

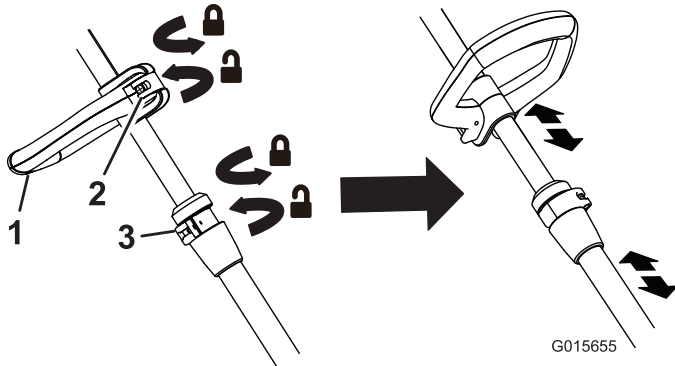


Figura 4

1. Empuñadura auxiliar
2. Pestillo de la empuñadura auxiliar
3. Palanca de ajuste de la altura

- Para ajustar la altura de la desbrozadora, abra la palanca de ajuste y deslice el mástil hacia arriba o hacia abajo a la altura deseada, luego cierre la palanca (Figura 4).
- Para ajustar la posición de la base, presione hacia abajo sobre el botón de giro situado en la base del mango, luego gire la base a la orientación deseada (Figura 5).

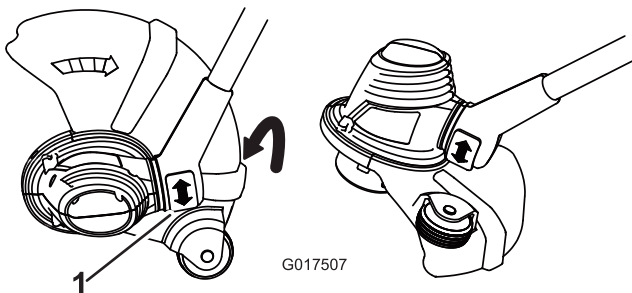


Figura 5

1. Botón de giro

## Operación

**Importante:** En el momento de la compra la batería no está totalmente cargada. Antes de usar la desbrozadora por primera vez, coloque la batería en el cargador y cárguela hasta que el indicador LED cambie a verde. Asegúrese de leer todas las precauciones de seguridad. Con el uso normal, el tiempo de carga será menor. Si va a almacenar el aparato durante un periodo de tiempo prolongado, retire la batería. Antes de usar el aparato de nuevo, cargue la batería hasta que el indicador LED cambie a verde.

## Cómo arrancar la desbrozadora

1. Alinee la lengüeta de la batería con el hueco correspondiente de la carcasa de la empuñadura (Figura 6).

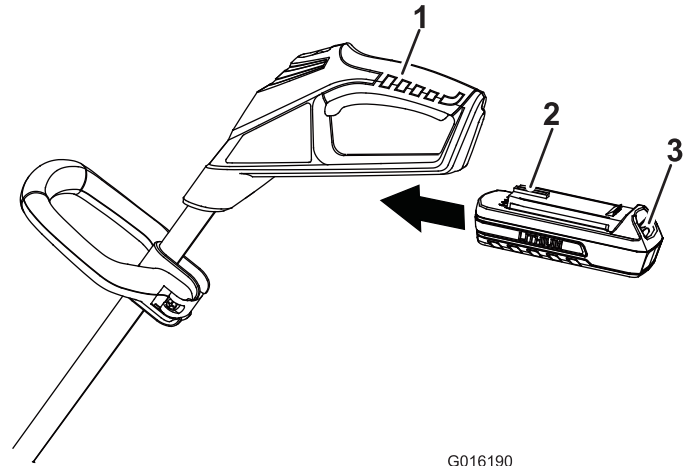
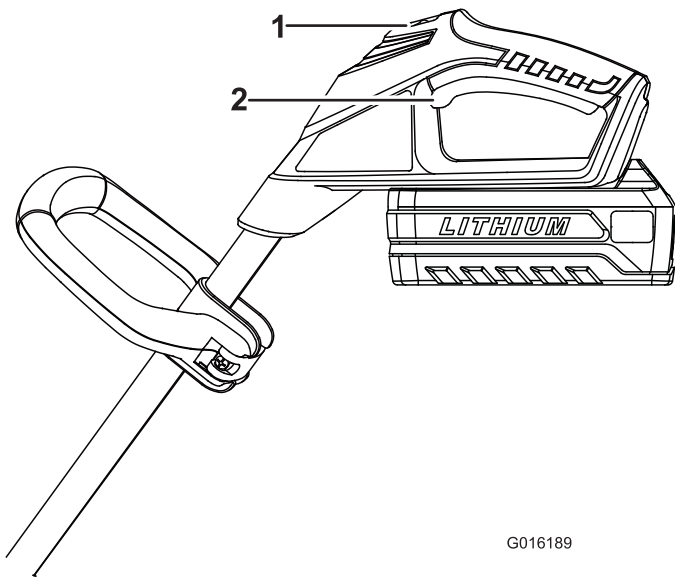


Figura 6

1. Empuñadura con gatillo
2. Lengüeta
3. Pestillo

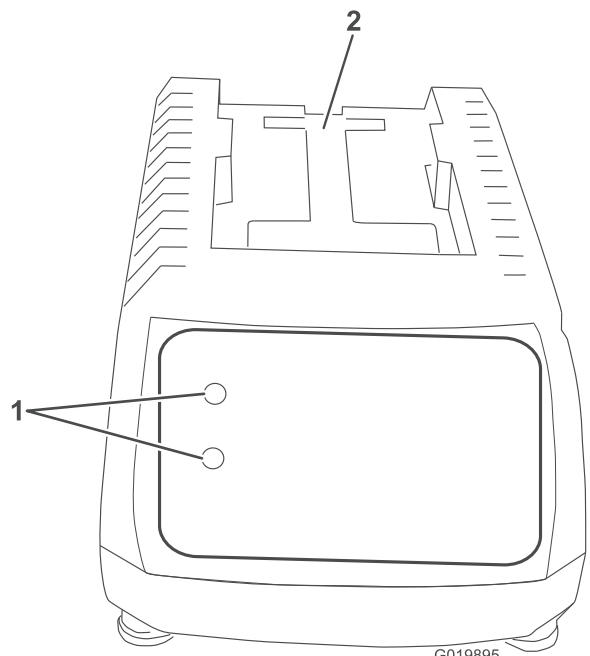
2. Sujete la empuñadura con gatillo (Figura 6).
3. Introduzca la batería en la empuñadura hasta que el pestillo encaje en su sitio.
4. Para arrancar la desbrozadora, deslice el interruptor de bloqueo hacia atrás a la posición de Encendido, y apriete el gatillo (Figura 6).



G016189

**Figura 7**

1. Interruptor de bloqueo      2. Gatillo



G019895

**Figura 8**

1. Indicadores LED      2. Introduzca la batería aquí

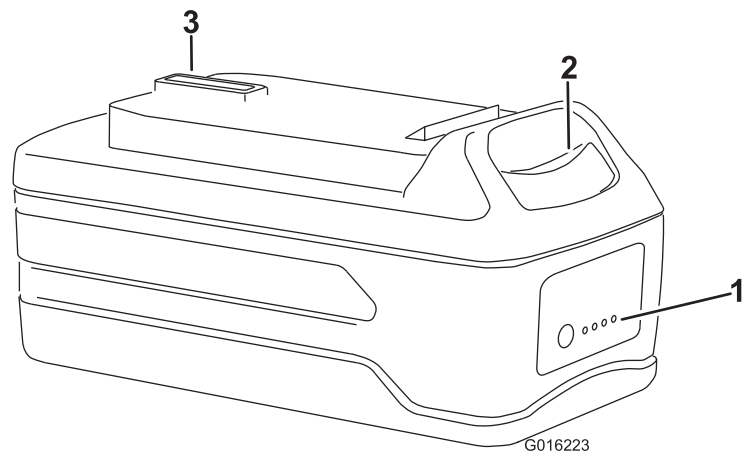
## Cómo parar la desbrozadora

Para parar la desbrozadora, suelte el gatillo.

## Carga de la batería

**Importante:** Para obtener los mejores resultados, la batería debe cargarse en un lugar cuya temperatura sea superior a 0° C (32° F) pero inferior a 40° C (104° F). Para reducir el riesgo de lesiones personales graves, no almacene la herramienta en el exterior o en vehículos. El tiempo de carga será mayor si la temperatura no está en este intervalo durante la carga.

1. Ponga la batería boca abajo y alinee el terminal de la batería con la ranura del cargador (Figura 8 y Figura 9).



G016223

**Figura 9**

1. Indicadores LED (nivel de carga)
2. Botón de liberación
3. Terminal de la batería

2. Introduzca la batería en el cargador hasta que encaje en su sitio.
3. Para retirar la batería, presione el botón de liberación y retire la batería del cargador deslizándola hacia atrás.

4. Consulte la tabla siguiente para interpretar los indicadores LED del cargador.

COLOR DE LOS LED		
Superior	Inferior	Indica:
Rojo	Rojo	La batería se está cargando
Rojo	Verde	Totalmente cargada
Rojo	Naranja	La batería está demasiado caliente: Retírela durante 30 minutos aproximadamente

## Avance del hilo

**Nota:** La desbrozadora incorpora un cabezal de avance automático.

1. Con la desbrozadora en marcha, suelte el gatillo.
2. Espere dos segundos, luego deslice el interruptor de bloqueo hacia atrás a la posición de Encendido, y apriete el gatillo.

**Nota:** El hilo avanzará 6 mm (1/4 pulgada) aproximadamente cada vez que apague y encienda la desbrozadora, hasta que el hilo llegue a la cuchilla del deflector de hierba.

3. Siga usando la desbrozadora.

## Avance manual del hilo

Retire la batería de la desbrozadora, luego pulse el botón rojo en la base del retén del carrete mientras tira del hilo de la desbrozadora para avanzar el hilo manualmente.

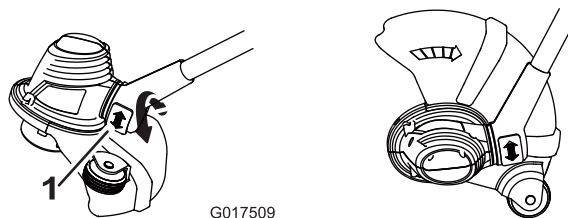
## Desbrozado



Figura 10

## Arreglo de bordes

Para arreglar los bordes del césped, pulse el botón del giro y gire la base según se muestra en Figura 11.



G017509

Figura 11

1. Botón de giro

## Consejos de operación

- Mantenga la desbrozadora inclinada hacia la zona que está cortando; ésta es la mejor zona de corte.
- La desbrozadora de hilo corta al pasar el aparato de izquierda a derecha. De esta manera se evita que arroje residuos hacia el operador.
- Utilice la punta del hilo para cortar; no introduzca la base entera a la fuerza en la hierba sin cortar.
- Las vallas de alambre o madera provocan un desgaste adicional del hilo, e incluso pueden llegar a romperlo. Los muros de piedra o ladrillo, los bordillos y la madera puede desgastar el hilo rápidamente.
- Evite los árboles y los arbustos. El hilo puede causar desperfectos en la corteza de los árboles, y en molduras, revestimientos y postes de madera.

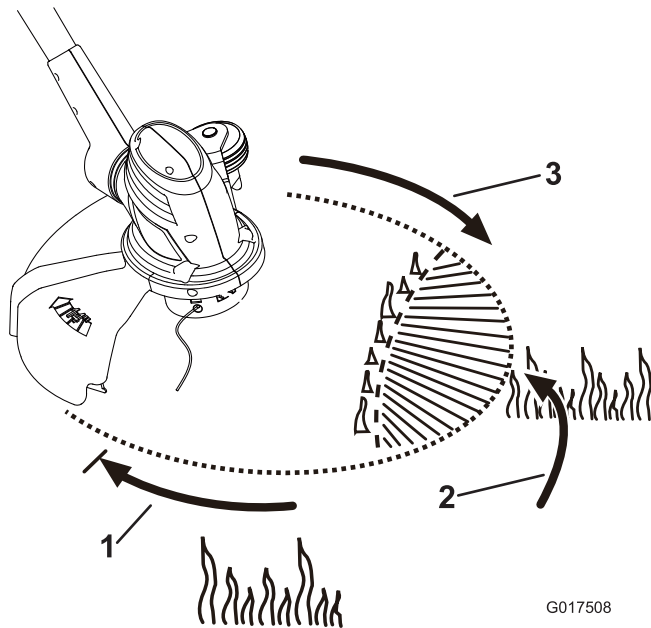


Figura 12

1. Sentido de rotación
2. Zona de corte ideal
3. Camino del hilo

5. Con un cepillo, elimine cualquier residuo de las entradas de aire de la carcasa del motor para evitar que se sobrecaliente el motor.

## Cambio del carrete

Utilice solamente hilo monofilamento de 1.65 mm (0.065 pulgadas) de diámetro. Use el hilo de repuesto del fabricante original para obtener el mejor rendimiento (N° de pieza Toro 88532 o 88524).

**Importante: El uso de un hilo de diámetro mayor hará que el motor se sobrecaliente y se averíe.**

1. Retire la batería.
2. Presione las pestañas laterales del retén del carrete (Figura 13).

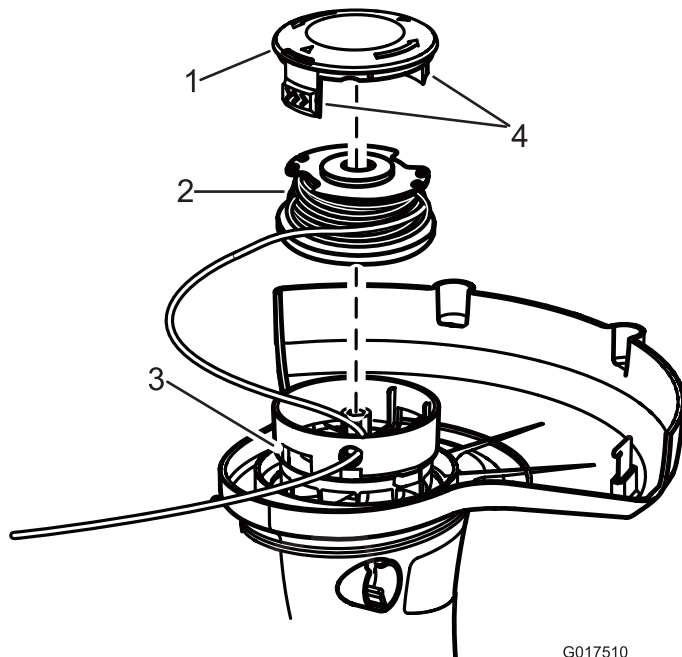


Figura 13

1. Retén del Carrete
2. Carrete
3. Ranuras
4. Pestañas

## Mantenimiento

Después de cada uso de la desbrozadora, complete los procedimientos siguientes:

1. Retire la batería de la desbrozadora.
2. Limpie la desbrozadora con un paño húmedo. No lave la desbrozadora con una manguera ni la sumerja en agua.

### **⚠ CUIDADO**

**La cuchilla recortadora de la cuerda, situada en el deflector, está muy afilada y puede cortar. No utilice las manos para limpiar el deflector o la cuchilla.**

3. Limpie el cabezal de corte con un paño, rascando si es necesario, si observa una acumulación de residuos.
4. Compruebe y apriete todas las fijaciones. Repare o sustituya cualquier pieza dañada o que falte.

3. Tire hacia arriba del retén para retirarlo, y retire el carrete.
4. Para instalar el carrete nuevo, compruebe que el hilo está enganchado en una de las ranuras de retención del carrete nuevo. Asegúrese de que el extremo libre del hilo mide unas 15.2 cm (6 pulgadas) de largo.
5. Instale el carrete nuevo con el hilo alineado con el ojal del cabezal. Pase el hilo por el ojal.
6. Tire del hilo que sale del cabezal hasta que el hilo se desenganche de la ranura del carrete.
7. Vuelva a colocar el retén del carrete introduciendo las pestañas en las ranuras y presionando hacia abajo hasta que el retén se enganche en su sitio.

## Cambio del hilo

1. Retire la batería.
2. Retire el carrete. Ver Cambio del carrete (Figura 13).



## La Promesa Toro – Productos eléctricos

Garantía completa de dos años para el uso residencial en Estados Unidos y Canadá

The Toro Company y su afiliado, Toro Warranty Company, bajo un acuerdo entre sí, garantizan conjuntamente este producto durante dos años contra defectos de materiales o mano de obra cuando se utiliza con propósitos residenciales normales.\*

Si usted cree que su producto Toro tiene un defecto de materiales o de mano de obra, si tiene alguna pregunta o algún problema, y antes de devolver este producto, llame al teléfono gratuito:

**Desbrozadoras:**

1-800-237-2654 (EE.UU.)  
1-800-248-3258 (Canadá)

**Sopladores:**

1-888-367-6631 (EE.UU.)  
1-888-430-1687 (Canadá)  
1-800-574-3312 (México)

**Lanzanieves:**

1-800-808-2963 (US)  
1-800-808-3072 (Canadá)

Para sustituir o reparar el producto, a nuestra discreción, devuelva la unidad completa al vendedor. Los clientes de Estados Unidos y Canadá pueden devolver su producto, con prueba de compra, a cualquier Servicio Técnico Autorizado. Los clientes de Estados Unidos también pueden devolver su producto, con prueba de compra y con portes pagados, al Toro Service Center, 5500 SE Delaware, Ankeny, IA 50021.

Esta garantía cubre defectos del producto solamente. **Ni The Toro Company ni Toro Warranty Company son responsables de daños indirectos, incidentales o consecuentes en conexión con el uso de los productos Toro cubiertos por esta garantía, incluyendo cualquier coste o gasto por la provisión de equipos de sustitución o servicio durante periodos razonables de mal funcionamiento o no utilización hasta la terminación de las reparaciones bajo esta garantía. Algunos estados no permiten exclusiones de daños incidentales o consecuentes, de manera que las exclusiones arriba citadas pueden no ser aplicables a usted.** Esta garantía le otorga a usted derechos legales específicos; es posible que usted tenga otros derechos que varían de un estado a otro.

### Países fuera de Estados Unidos y Canadá

Los clientes que compraron productos Toro exportados de los Estados Unidos o Canadá deben ponerse en contacto con su Distribuidor (Concesionario) Toro para obtener pólizas de garantía para su país, provincia o estado. Si por cualquier razón usted no está satisfecho con el servicio ofrecido por su Distribuidor, o si tiene dificultad en obtener información sobre la garantía, póngase en contacto con el importador Toro. Si fallan todos los demás recursos, puede ponerse en contacto con nosotros en la Toro Warranty Company.

### Ley de Consumo de Australia

Los clientes australianos encontrarán información sobre la Ley de Consumo de Australia dentro de la caja o a través de su concesionario Toro local.

\* "Uso residencial" significa el uso del producto en la misma parcela en que se encuentra su vivienda.

Número de pieza 374-0262 Rev. D





# Débroussailleuse sans fil de 30 cm (12 pouces)

Form No. 3379-692 Rev A

N° de modèle 51484—N° de série 314000001 et suivants

N° de modèle 51484T—N° de série 314000001 et suivants

Manuel de l'utilisateur

Le modèle 51484T ne comprend pas de batterie ni de chargeur.



Pour tout conseil ou renseignement, contactez-nous à [www.Toro.com](http://www.Toro.com) ou appelez notre numéro vert 1-800-237-2654 (États-Unis) ou 1-800-248-3258 (Canada) avant de renvoyer ce produit.

## Règles générales de sécurité

### ATTENTION

#### CALIFORNIE

#### Proposition 65 - Avertissement

Ce produit contient une ou des substances chimiques considérées par l'état de Californie comme capables de provoquer des cancers, des anomalies congénitales ou d'autres troubles de la reproduction.

ATTENTION : L'utilisation d'outils de jardinage électriques exige de suivre certaines précautions élémentaires pour réduire le risque d'incendie, de choc électrique et de dommage corporel, y compris ce qui suit :

#### Lisez toutes les instructions.

Le terme « outil électrique » utilisé dans toutes les mises en garde renvoie à tout outil électrique branché sur le secteur (câblé) ou alimenté par batterie (sans fil).

#### 1. Sécurité sur la zone de travail

- La zone de travail doit être propre et bien éclairée.** Les endroits sombres et encombrés sont propices aux accidents.
- N'utilisez jamais d'outils électriques dans des atmosphères explosives, en présence de liquides, gaz ou poussière inflammables par exemple.** Les outils électriques produisent des étincelles qui peuvent enflammer la poussière ou les vapeurs/émanations.
- Tenez enfants et spectateurs à distance pendant l'utilisation d'un outil électrique.** Les distractions peuvent entraîner la perte de contrôle de l'outil.

#### 2. Sécurité électrique

- La fiche des outils électriques doit correspondre au type de prise. Ne modifiez jamais la fiche électrique. N'utilisez pas d'adaptateur avec les**

**outils électriques reliés à la terre.** Les fiches et prises correspondantes non modifiées réduisent le risque de choc électrique.

- Évitez tout contact du corps avec des surfaces reliées à la terre/masse.** Le risque de choc électrique augmente si vous êtes relié à la terre.
- Ne maltraitez pas le cordon d'alimentation. Ne vous servez jamais du cordon pour transporter, tirer ou débrancher l'outil électrique.** Éloignez le cordon des surfaces chaudes, de la graisse, des arêtes vives ou des pièces mobiles. Les cordons endommagés ou emmêlés augmentent le risque de choc électrique.
- N'exposez pas les outils électriques à la pluie ou à l'humidité.** Toute infiltration d'eau dans un outil électrique augmente le risque de choc électrique.
- Si l'utilisation d'un outil électrique dans un endroit humide ne peut être évitée, utilisez une alimentation protégée par un dispositif différentiel à courant résiduel (RCD) en Australie ou un disjoncteur de fuite à la terre (GFI) aux États-Unis.**

L'utilisation d'un dispositif RCD ou GFI réduit le risque de choc électrique.

#### 3. Sécurité personnelle

- Restez vigilant, regardez où vous allez et faites preuve de bon sens lorsque vous utilisez un outil électrique. N'utilisez jamais un outil électrique si vous êtes fatigué ou sous l'emprise de l'alcool, de drogues ou de médicaments.** Un seul moment d'inattention pendant l'utilisation pourrait entraîner des dommages corporels graves.
- Utilisez des équipements de protection individuelle. Portez toujours une protection oculaire.** Les équipements de protection comme les masques antipoussières, les chaussures de sécurité à semelle antidérapante, les casques et les protections antibruit utilisés de manière pertinente réduisent les dommages corporels.
- Évitez tout démarrage accidentel. Assurez-vous que l'interrupteur Marche/Arrêt est en position Arrêt avant de connecter l'outil à une source d'alimentation et/ou à la batterie, de le prendre en main ou de le transporter.** Des accidents peuvent se produire si vous transportez un outil électrique en gardant le doigt sur l'interrupteur Marche/Arrêt



*ou si vous le mettez sous tension sans avoir placé l'interrupteur en position Arrêt.*

- D. **Ne travaillez pas trop loin devant vous. Gardez toujours les pieds bien posés à terre et faites en sorte de ne pas perdre l'équilibre.** *Vous pourrez ainsi garder le contrôle de l'outil en cas d'événement inattendu.*
  - E. **Portez des vêtements adéquats. Ne portez pas de vêtements amples ni de bijoux pendants. N'approchez pas les cheveux, les vêtements et les gants des pièces en mouvement.** *Les vêtements amples, les bijoux pendants ou les cheveux longs peuvent se prendre dans les pièces mobiles.*
  - F. **N'approchez pas les pieds et les mains de la zone de coupe.**
4. **Utilisation et entretien des outils électriques**
- A. **Ne faites pas forcer l'outil électrique. Utilisez l'outil électrique correct pour la tâche à accomplir.** *Un outil électrique adapté donnera de meilleurs résultats et sera moins dangereux s'il est utilisé dans les limites prévues.*
  - B. **Ne vous servez pas de l'outil électrique si l'interrupteur Marche/Arrêt ne permet pas de le mettre en marche et de l'arrêter correctement.** *Un outil électrique qui ne peut pas être commandé par l'interrupteur Marche/Arrêt est dangereux et doit être réparé.*
  - C. **Retirez la batterie de l'outil électrique avant d'effectuer des réglages, de changer d'accessoire ou de ranger l'outil électrique.** *Ces mesures de sécurité préventives réduisent le risque de démarrage accidentel de l'outil.*
  - D. **Rangez les outils électriques non utilisés hors de la portée des enfants et ne confiez leur utilisation qu'à des personnes connaissant leur maniement et ayant lu ces instructions.** *Les outils électriques sont dangereux s'ils sont mis entre les mains d'utilisateurs novices.*
  - E. **Rangez les outils électriques à l'intérieur lorsqu'ils ne servent pas.** *Lorsque les outils ne sont pas utilisés, rangez-les dans un local sec en hauteur ou sous clé, hors de la portée des enfants.*
  - F. **Maintenez les outils électriques en bon état de marche. Vérifiez si des pièces sont mal alignées, grippées, cassées ou présentent tout autre défaut susceptible d'affecter le bon fonctionnement de l'outil électrique. S'il est endommagé, faites réparer l'outil électrique avant de l'utiliser.** *De nombreux accidents sont causés par des outils électriques en mauvais état.*
  - G. **Gardez les outils de coupe propres et bien affûtés.** *Des outils de coupe entretenus correctement et bien affûtés sont moins susceptibles de coincer et sont plus faciles à contrôler.*
  - H. **Utilisez l'outil électrique conformément aux instructions de cette notice et de la manière prévue pour ce type d'outil spécifique, en tenant compte des conditions de travail et de la tâche à réaliser.** *L'utilisation de l'outil électrique pour des opérations autres que celles prévues peut engendrer une situation dangereuse.*
  - I. **Les déflecteurs doivent toujours être en place et en bon état.**

5. **Entretien**

**Confiez l'entretien de votre outil électrique à un réparateur qualifié utilisant exclusivement des pièces de rechange identiques.** *La sécurité de votre outil électrique sera ainsi maintenue.*

6. **Consignes de sécurité relatives à la batterie**

- A. Ne chargez pas l'outil sous la pluie ou dans un lieu humide.
- B. N'utilisez pas un outil alimenté par batterie sous la pluie.
- C. Utilisez le type et la taille de batterie(s) suivants : batterie Toro modèle 88502.
- D. Retirez ou débranchez la batterie avant d'effectuer un entretien, de nettoyer ou de retirer des débris de l'outil de jardinage.
- E. Ne jetez pas les batteries au feu. L'élément pourrait exploser. Vérifiez si la réglementation locale impose applique des procédures de mise au rebut spéciales.
- F. N'ouvrez pas et n'endommagez pas les batteries. L'électrolyte est corrosif et peut causer des lésions oculaires et cutanées. Son ingestion peut être toxique.
- G. Manipulez les batteries avec précaution pour ne pas provoquer de court-circuit en cas de contact avec un conducteur comme des bagues, des bracelets et des clés. La batterie ou le conducteur peuvent surchauffer et causer des brûlures.

**CONSERVEZ CES INSTRUCTIONS**

# Autocollants de sécurité et d'instruction



Des autocollants de sécurité et des instructions bien visibles par l'opérateur sont placés près de tous les endroits potentiellement dangereux. Remplacez tout autocollant endommagé ou manquant.

Symbole	Nom	Désignation/Explication
CC	Courant continu	Type de courant
V	Volts	Tension



125-3281

Modèle 51484

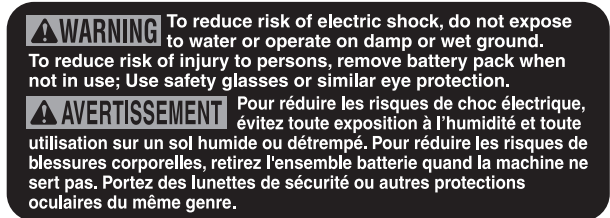
1. Attention – lisez le *Manuel de l'utilisateur*; n'utilisez pas la machine à l'humidité; portez une protection oculaire.



121-7657

Modèle 51484T

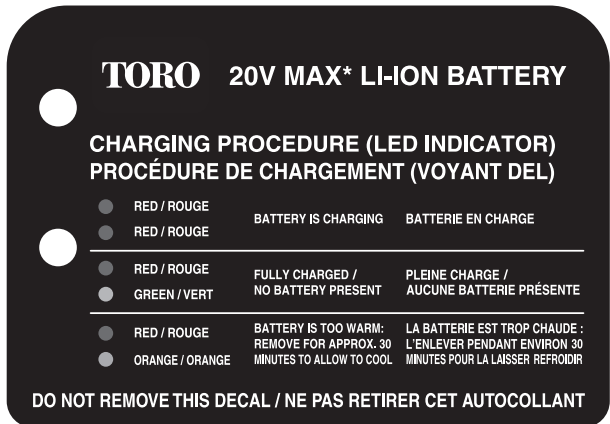
1. Attention – lisez le *Manuel de l'utilisateur*; n'utilisez pas la machine à l'humidité; portez une protection oculaire.



125-3280



121-7615



121-7691

**TORO**

**LITHIUM-ION BATTERY CHARGER**  
**CHARGEUR BATTERIE LITHIUM-ION**  
 Input: 100-120V AC, 50-60Hz, 70W  
 Output: 18V MAX\* DC  $\equiv$  2.6A

\*Maximum initial voltage without workload, as rated by battery manufacturer. Under workload, nominal voltage is 18V DC  $\equiv$ .

\*Tension initiale maximale sans charge, telle qu'indiquée par le fabricant de la batterie. Mesurée sous charge, la tension nominale est de 18 V DC  $\equiv$ .

**WARNING** To reduce the risk of injury, user must read the instruction manual. Use only with 88502 Lithium-ion Battery Pack. **FOR INDOOR USE ONLY.**

**AVERTISSEMENT** Pour réduire le risque de blessures, l'utilisateur doit lire le manuel d'utilisation. Utilisez uniquement avec 88502 Lithium-ion Battery Pack. **POUR UN USAGE INTÉRIEUR.**

Backfeed Protection / Protection contre le retour d'énergie

**THE TORO COMPANY**  
 8111 Lyndale Avenue South  
 Bloomington, MN 55420-1196 USA

Country of Origin: China / Pays d'origine : Chine  
 Manufactured by CHANGZHOU GLOBE CO.,LTD  
 Fabriqué par CHANGZHOU GLOBE CO.,LTD

**UL** LISTED  
 E199657  
 Class 2 Battery Charger  
 4DH6  
 Chargeur de batterie Classe 2

Model: **88500** SL  
 Modèle : **88500** SL  
 Serial Number: **[REDACTED]**  
 Numéro de série : **[REDACTED]**  
 Date Code: **[REDACTED]**  
 Code de date : **[REDACTED]**

**BC**

125-3279

**TORO** 20V MAX\* DC  $\equiv$  36Wh  
 Li-Ion Battery / Batterie au lithium-ion

\*Maximum initial voltage without workload, as rated by battery manufacturer. Under workload, nominal voltage is 18V DC  $\equiv$ .

\*Tension initiale maximale sans charge, telle qu'indiquée par le fabricant de la batterie. Mesurée sous charge, la tension nominale est de 18 V DC  $\equiv$ .

**WARNING** To reduce the risk of injury, user must read the instruction manual. Wear eye protection. Do not short terminals. Do not throw into fire. Use only with Toro battery charger 88500. When charging make sure temperature is between 0° to 40°C (32° to 104°F), -15° to 50°C (5° to 122°F) for discharge. Risk of fire, explosion and burns. Do not disassemble, crush, expose to heat above 100°C (212°F), or incinerate. Keep battery out of reach of children.

**AVERTISSEMENT** Pour réduire le risque de blessures, l'utilisateur doit lire le manuel d'utilisation. Portez des lunettes de protection. Ne pas court-circuiter. Ne jetez pas au feu. Utilisez uniquement avec chargeur de batterie Toro 88500. Lorsque vous chargez la batterie, assurez-vous que la température est de 0 à 40 °C (32 à 104 °F), -15 à 50 °C (5 à 122 °F) pour la décharge. Risque d'incendie, d'explosion et des brûlures. Ne pas démonter, écraser, exposer à une température au-dessus de 100 °C (212 °F) ou incinérer. Conservez la batterie hors de portée des enfants.

MH46448 Country of Origin: China / Pays d'origine : Chine

**RU** Model: **88502**  
 Modèle : **88502**  
 Serial Number: **[REDACTED]**  
 Numéro de série : **[REDACTED]**  
 Date Code: **[REDACTED]**  
 Code de date : **[REDACTED]**

**RECYCLE**  
 L.W.

125-3295

# Mise en service

## Pièces détachées

Reportez-vous au tableau ci-dessous pour vérifier si toutes les pièces ont été expédiées.

Procédure	Description	Qté	Utilisation
<b>1</b>	Poignée auxiliaire	1	Montez la poignée auxiliaire.
	Verrou	1	
	Renfort	1	
<b>2</b>	Défecteur	1	Montez le déflecteur à la base de la débroussailleuse.
	Vis cruciforme	1	
<b>3</b>	Protège-bordure métallique	1	Montage du protège-bordure
<b>4</b>	Aucune pièce requise	–	Réglez la poignée auxiliaire, la hauteur de la débroussailleuse et la position de la base.

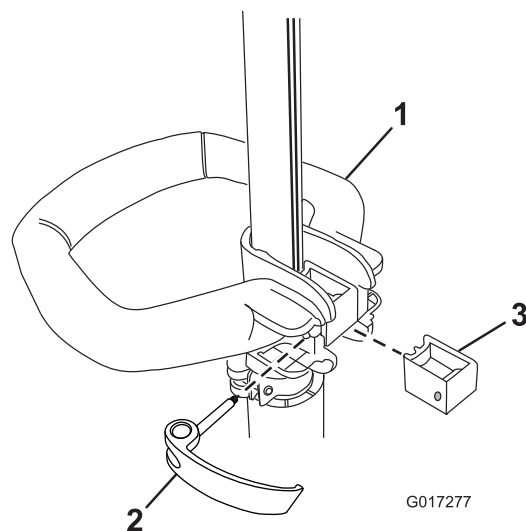
# 1

## Montage de la poignée auxiliaire

### Pièces nécessaires pour cette opération:

1	Poignée auxiliaire
1	Verrou
1	Renfort

1. Placez la poignée auxiliaire sur l'arbre de la débroussailleuse, la surface lisse tournée vers l'utilisateur (Figure 1).



**Figure 1**

1. Poignée auxiliaire
  2. Verrou
  3. Renfort
- 
2. Glissez le renfort dans la poignée auxiliaire jusqu'à ce qu'il soit engagé dans la rainure de l'arbre (Figure 1).
  3. Glissez le verrou par la gauche dans la poignée et le renfort comme illustré, puis serrez la vis du verrou à l'aide d'un tournevis à pointe cruciforme (Figure 1).

# 2

## Montage du déflecteur

Pièces nécessaires pour cette opération:

1	Défecteur
1	Vis cruciforme

### Procédure

1. Retirez la vis cruciforme collée sur la protection (Figure 2).
2. Glissez le déflecteur sur la base de la débroussailleuse, comme illustré à la Figure 2.

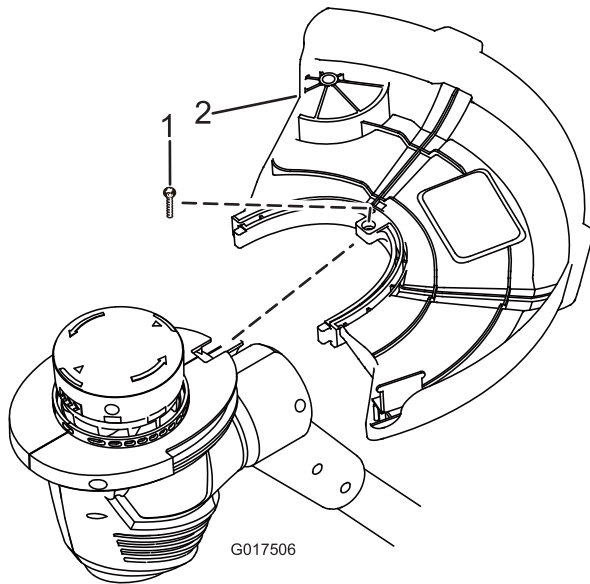


Figure 2

1. Vis cruciforme
  2. Défecteur
- 
3. Fixez le déflecteur à l'aide de la vis cruciforme.

# 3

## Montage du protège-bordure

Pièces nécessaires pour cette opération:

1	Protège-bordure métallique
---	----------------------------

### Procédure

Insérez les extrémités du protège-bordure métallique dans les trous du carter de la débroussailleuse, comme illustré à la Figure 3.

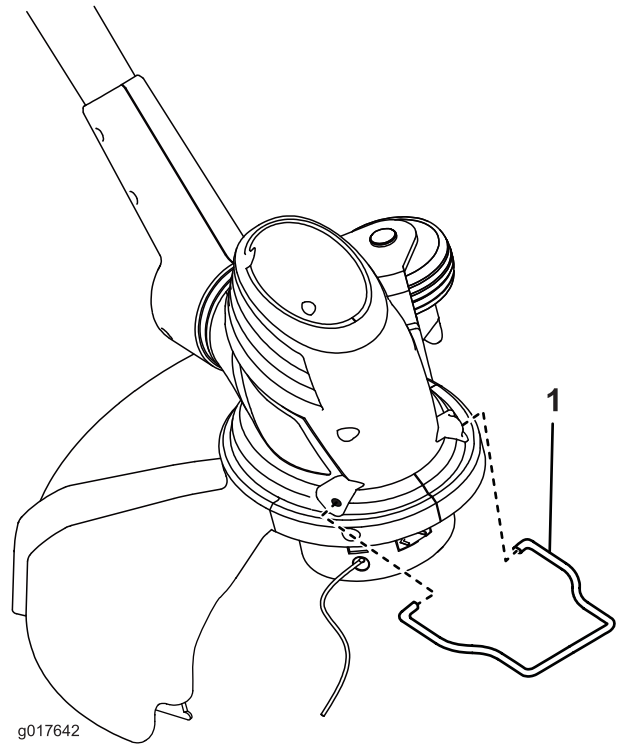


Figure 3

1. Protège-bordure métallique
-

# 4

## Réglage de la poignée auxiliaire, de la hauteur de la débroussailleuse et de la position de la base

Aucune pièce requise

### Procédure

- Pour régler la hauteur de la poignée auxiliaire, ouvrez le verrou de la poignée auxiliaire, montez ou descendez la poignée à la hauteur voulue, puis fixez-la en place en refermant le verrou (Figure 4).

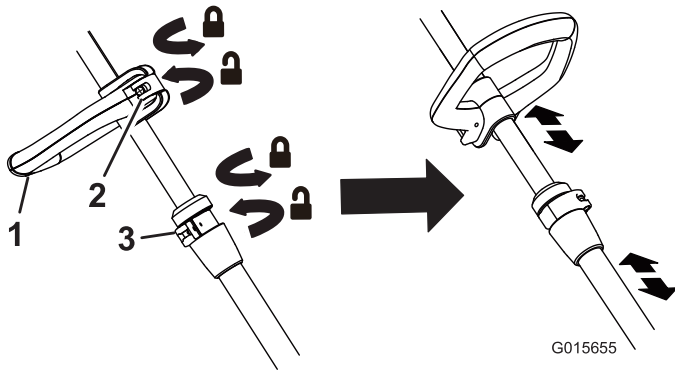


Figure 4

1. Poignée auxiliaire
2. Verrou de la poignée auxiliaire
3. Verrou de réglage en hauteur

- Pour régler la hauteur de la débroussailleuse, ouvrez le verrou de réglage, puis faites coulisser l'arbre de haut en bas à la hauteur voulue avant de le fixer en position avec le verrou (Figure 4).
- Pour régler la position de la base, appuyez sur le bouton de rotation situé au bas de l'arbre, puis tournez la base dans la direction voulue (Figure 5).

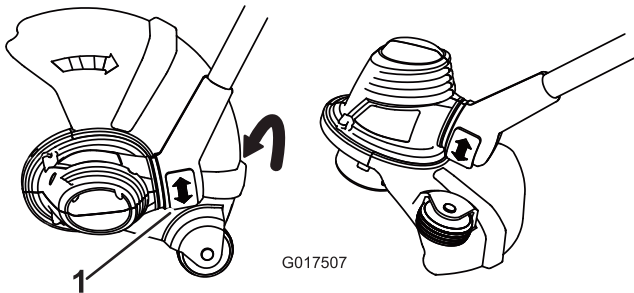


Figure 5

1. Bouton de rotation

## Utilisation

**Important:** La batterie n'est pas complètement chargée lors de l'achat de l'outil. Avant d'utiliser la débroussailleuse pour la première fois, placez la batterie dans le chargeur et chargez-la jusqu'à ce que les diodes deviennent vertes. Lisez attentivement toutes les consignes de sécurité. Plus l'outil est utilisé régulièrement, plus la durée de la charge sera réduite. Retirez la batterie si vous rangez l'outil pendant une période prolongée. Avant de réutiliser l'outil, rechargez la batterie jusqu'à ce que les diodes deviennent vertes.

## Démarrage de la débroussailleuse

1. Alignez la languette de la batterie sur le creux dans le corps de la poignée (Figure 6).

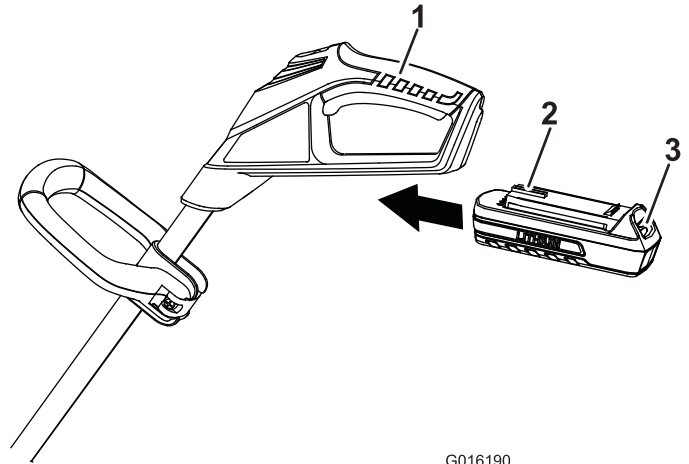
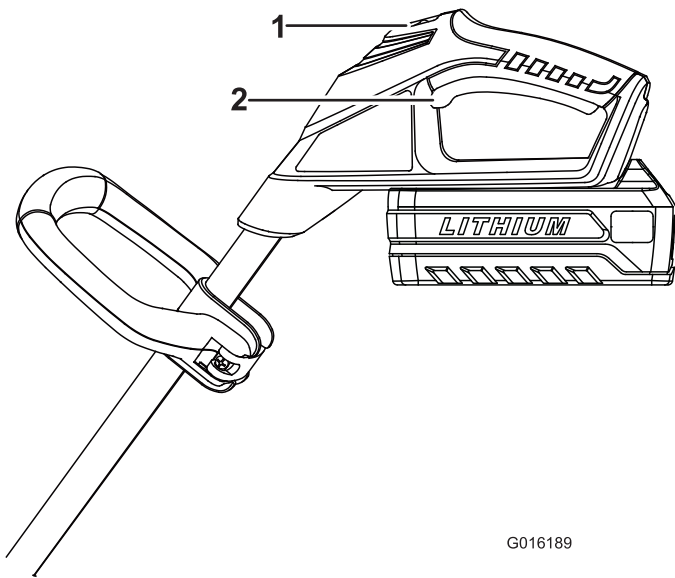


Figure 6

1. Poignée d'actionnement
2. Languette
3. Verrou

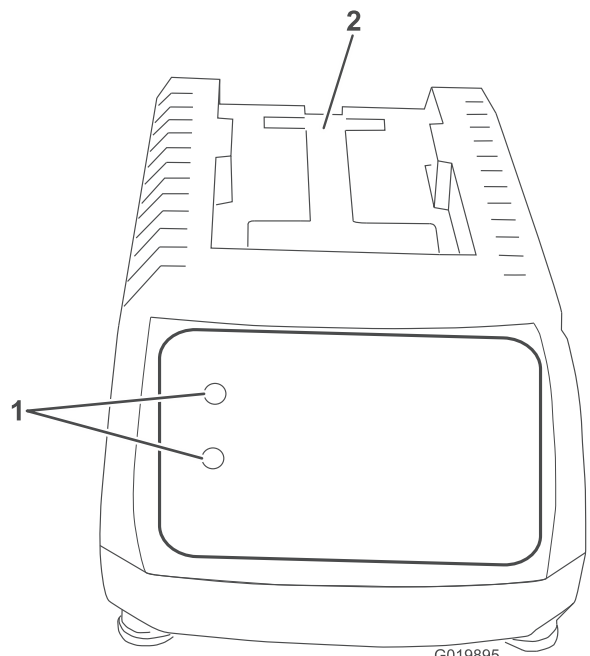
2. Saisissez la poignée d'actionnement (Figure 6).
3. Poussez la batterie dans la poignée jusqu'à ce que le verrou s'enclenche en position.
4. Pour démarrer la débroussailleuse, repoussez le commutateur de verrouillage à la position de marche, puis serrez la poignée d'actionnement (Figure 6).



G016189

**Figure 7**

1. Commutateur de verrouillage
2. Poignée d'actionnement



G019895

**Figure 8**

1. Diodes
2. Insérez la batterie ici

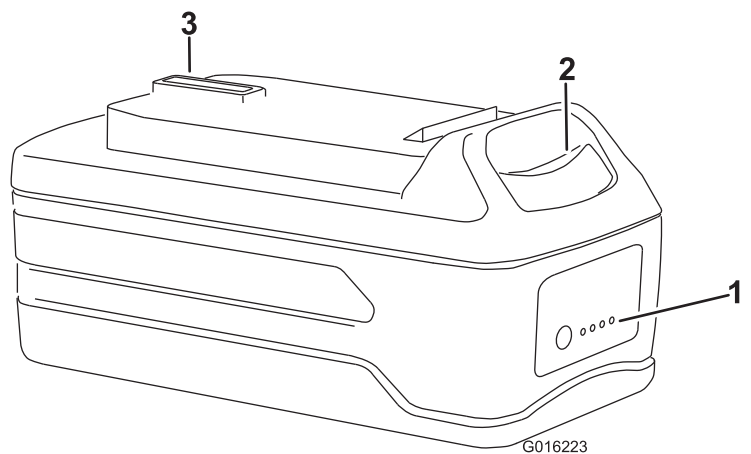
## Arrêt de la débroussailleuse

Pour arrêter la débroussailleuse, relâchez la poignée d'actionnement.

## Charge de la batterie

**Important:** Pour obtenir des résultats optimaux, rechargez la batterie de l'outil dans un endroit où la température est supérieure à 0 °C (32 °F) mais inférieure à 40 °C (104 °F). Pour réduire les risques de blessures graves, ne le rangez pas à l'extérieur ou dans un véhicule. Le temps de charge sera plus long si les températures sont hors de la plage spécifiée.

1. Retournez la batterie et placez la borne en face de la fente du chargeur (Figure 8 et Figure 9).



G016223

**Figure 9**

1. Diodes (niveau de charge)
2. Bouton de déblocage
3. Borne de batterie

2. Glissez la batterie dans le chargeur jusqu'à ce qu'elle s'enclenche en place.
3. Pour retirer la batterie, appuyez sur le bouton de déblocage et tirez la batterie en arrière hors du chargeur.



4. Reportez-vous au tableau ci-dessous pour interpréter les indications des diodes sur le chargeur de batterie.

COULEUR DE DIODE		
Supérieure	Inférieure	Indique :
Rouge	Rouge	Batterie en charge
Rouge	Verte	Charge complète
Rouge	Orange	La batterie est trop chaude : Retirez-la du chargeur pendant environ 30 minutes

## Avance du fil

**Remarque:** La débroussailleuse est équipée d'une tête à avance automatique.

1. Lorsque la débroussailleuse est en marche, relâchez la poignée d'actionnement.
2. Patientez deux secondes, puis repoussez le commutateur de verrouillage à la position de marche et serrez la poignée d'actionnement.

**Remarque:** Le fil avance d'environ 6 mm (1/4 po) à chaque arrêt et démarrage de la débroussailleuse, jusqu'à ce qu'il soit à la même longueur que la lame du déflecteur d'herbe.

3. Reprenez le débroussaillage.

## Avance manuelle du fil

Retirez la batterie de la débroussailleuse à fil, puis appuyez sur le bouton rouge à la base du chapeau de fixation de la bobine tout en tirant le fil à la main pour le faire sortir.

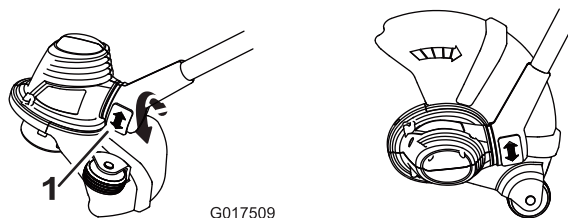
## Tonte des bordures



Figure 10

## Tonte des bordures

Si vous utilisez la débroussailleuse comme coupe-bordure, appuyez sur le bouton de rotation et tournez la tête comme illustré à la Figure 11.



G017509

Figure 11

1. Bouton de rotation

# Conseils d'utilisation

- Gardez la débroussailleuse inclinée vers la zone à couper, la meilleure zone de coupe.
- Pour couper, passez la débroussailleuse à fil de gauche à droite. Vous éviterez ainsi de projeter des débris dans votre direction.
- Utilisez l'extrémité du fil pour couper; ne forcez pas la tête de coupe dans l'herbe non coupée.
- Les câbles et clôtures peuvent augmenter l'usure du fil ou le casser. Les pierres et murs en briques, les trottoirs et le bois peuvent provoquer l'usure rapide du fil.
- Évitez de vous approcher des arbres et des buissons. L'écorce des arbres, les moulures en bois, les parements et piquets peuvent être facilement endommagés par le fil.

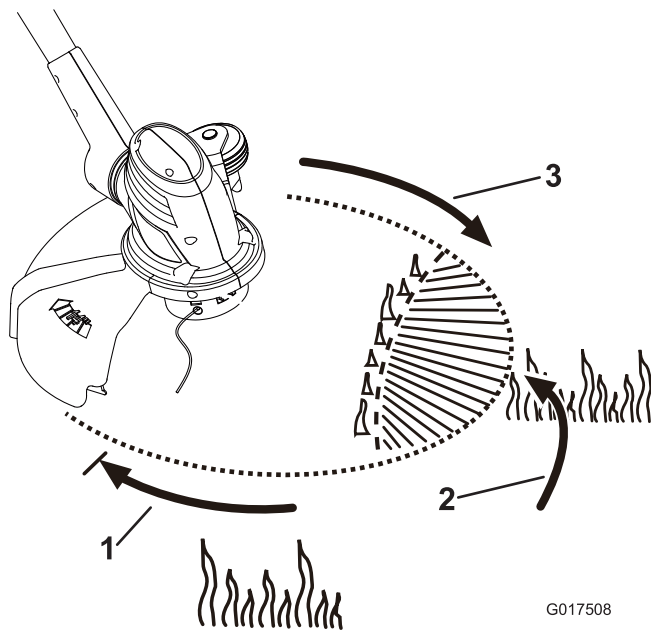


Figure 12

G017508

1. Sens de rotation
2. Plage de coupe idéale
3. Trajet du fil

# Entretien

Après chaque utilisation de la débroussailleuse, suivez les procédures ci-après :

1. Enlevez la batterie de la débroussailleuse.
2. Essuyez la débroussailleuse avec un chiffon humide. Ne lavez pas la débroussailleuse au jet d'eau et ne la trempez pas dans l'eau.

## **PRUDENCE**

**La lame de coupe du fil sur le déflecteur est tranchante et peut vous couper. Ne nettoyez pas le déflecteur et la lame avec les mains.**

3. Essuyez ou raclez la tête de coupe si des débris se sont accumulés dessus.
4. Contrôlez et resserrez toutes les fixations. Réparez ou remplacez les pièces éventuellement endommagées ou manquantes.

5. Enlevez à la brosse les débris accumulés sur les prises d'air du carter du moteur pour empêcher le moteur de surchauffer.

# Remplacement de la bobine

Utilisez uniquement du fil à filament de 1,65 mm (0,065 po) de diamètre. Pour garantir des performances optimales, utilisez le fil de rechange du fabricant d'origine (réf. Toro 88532 ou 88524).

**Important: Un fil de plus gros diamètre fera surchauffer le moteur et provoquera une panne.**

1. Retirez la batterie.
2. Appuyez sur les languettes de chaque côté du chapeau de fixation de la bobine (Figure 13).

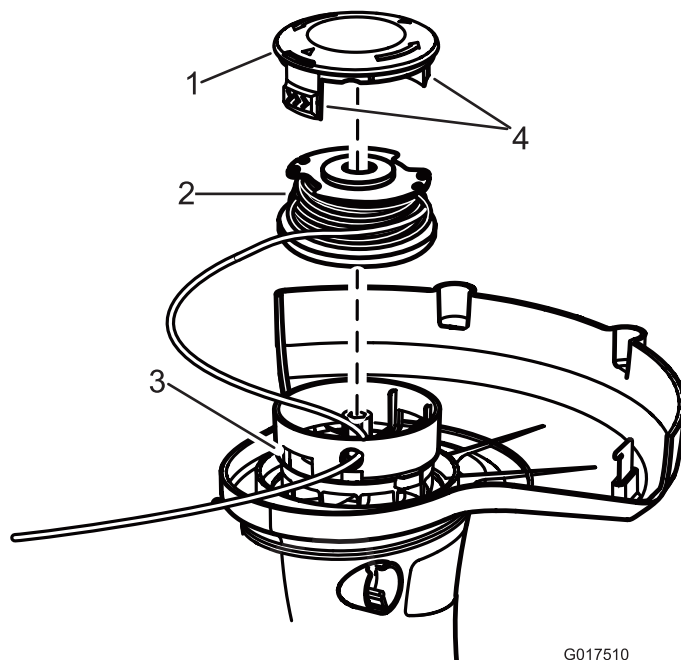


Figure 13

G017510

1. Chapeau de fixation de la bobine
2. Bobine
3. Fentes
4. Languettes

3. Tirez le chapeau de fixation de la bobine vers le haut pour le retirer et enlever la bobine.
4. Pour mettre en place la bobine neuve, veillez à coincer le fil dans l'un des boulons de fixation de la bobine. Le fil doit dépasser d'environ 152 mm (6 po).
5. Montez la bobine neuve en alignant le fil sur l'œillet de la tête de coupe. Passez le fil dans l'œillet.
6. Tirez le fil qui dépasse de la tête de coupe pour le dégager de la fente dans la bobine.
7. Remettez le chapeau de fixation en place en poussant les languettes dans les fentes et en poussant jusqu'à ce que le chapeau s'enclenche en place.

# Remplacement du fil

1. Retirez la batterie.
2. Retirez la bobine. Voir Remplacement de la bobine (Figure 13).

# Entretien

Lorsqu'un entretien est requis, confiez l'appareil à un réparateur Toro agréé. Celui-ci possède les compétences nécessaires pour réparer les produits Toro et il saura maintenir l'intégrité de votre appareil Toro.

# Remisage

- Débarrassez l'appareil de tout corps étranger.
- Rangez-le dans un endroit bien aéré et hors de la portée des enfants.
- Gardez-le éloigné des agents corrosifs comme les produits chimiques de jardin et les sels de dégivrage.

# Dépistage des défauts

L'utilisation de la batterie lorsque celle-ci est chaude peut réduire la durée de service. La batterie cesse automatiquement de fonctionner en cas de surchauffe pour prévenir tout dommage. Retirez la batterie du chargeur et attendez qu'elle refroidisse avant de la remettre en place dans la débroussailleuse.

L'utilisation de la batterie si les câbles sont humides peut causer un mauvais fonctionnement de la débroussailleuse. Laissez sécher la batterie ou essuyez-la soigneusement avant de la remettre dans la débroussailleuse.

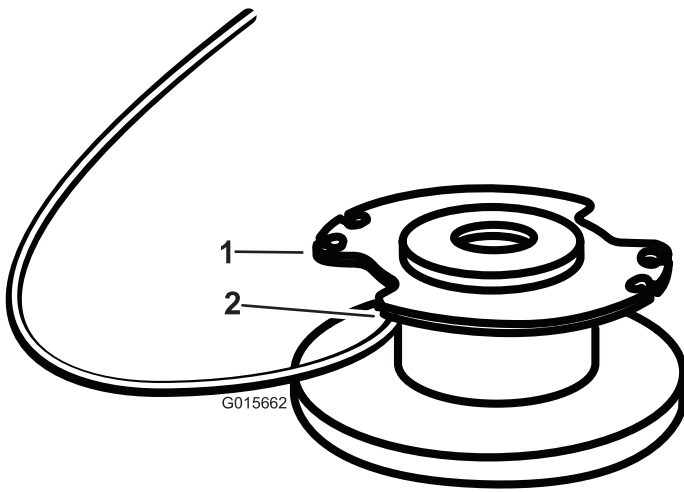


Figure 14

1. Bobine    2. Trou

**Remarque:** Retirez l'ancien fil encore présent sur la bobine.

3. La bobine peut contenir jusqu'à 4,50 m (15 pi) de fil. **Utilisez uniquement du fil à un filament de 1,65 mm (0,065 po) de diamètre.**

**Remarque:** N'utilisez jamais de fil d'autre diamètre ou type car cela pourrait endommager la débroussailleuse.

4. Insérez le fil dans le trou d'ancrage en haut de la bobine (Figure 14). Enroulez le fil sur la bobine dans la direction indiquée par les flèches sur la bobine.
5. Placez le fil dans la fente sur le bord supérieur de la bobine en le laissant dépasser de 152 mm (6 po).

**Remarque:** N'enroulez pas une longueur de fil excessive. Lorsque le fil est enroulé, un espace d'au moins 6 mm (1/4 po) doit subsister entre le fil enroulé et le bord extérieur de la bobine.

6. Remettez en place la bobine et le chapeau de fixation. Reportez-vous à la rubrique Remplacement de la bobine plus haut dans ce manuel.

## Préparation de la batterie pour le recyclage

### **⚠ ATTENTION**

Avant de recycler la batterie, recouvrez les bornes de ruban adhésif épais. N'essayez pas de détruire ou de démonter la batterie ni de déposer aucun de ses composants. Les batteries ion-lithium doivent être recyclées ou mises au rebut selon la réglementation en vigueur dans le centre de recyclage le plus proche0

## La promesse de Toro – Produits électriques

Une garantie intégrale de deux ans pour usage domestique valable aux États-Unis et au Canada.

The Toro Company et sa filiale, Toro Warranty Company, en vertu d'un accord mutuel, s'engagent conjointement à réparer le produit utilisé à des fins résidentielles normales s'il présente un défaut de fabrication, pendant une période de deux ans à dater de l'achat.\*

Si vous pensez que votre produit Toro présente un vice de matériau ou de fabrication, si vous avez besoins de conseils ou de renseignements, et avant de renvoyer ce produit, appelez gratuitement le numéro suivant :

### Débroussailleuses :

1-800-237-2654 (États-Unis)  
1-800-248-3258 (Canada)

### Souffleurs :

1-888-367-6631 (États-Unis)  
1-888-430-1687 (Canada)  
1-800-574-3312 (Mexique)

### Souffleuses à neige :

1-800-808-2963 (États-Unis)  
1-800-808-3072 (Canada)

Pour recevoir un appareil de rechange ou réparé, suivant notre choix, renvoyez l'appareil au complet au vendeur. Aux États-Unis et au Canada, le produit peut être renvoyé, accompagné d'une preuve d'achat, à n'importe quel dépositaire-réparateur agréé. Les clients américains peuvent aussi renvoyer leur produit, accompagné d'une preuve d'achat, port payé, à : Toro Service Center, 5500 SE Delaware, Ankeny, IA 50021.

Cette garantie couvre les défauts de produit uniquement. **The Toro Company et Toro Warranty Company déclinent toute responsabilité en cas de dommages secondaires ou indirects liés à l'utilisation des produits Toro couverts par cette garantie, notamment quant aux coûts et dépenses encourus pour se procurer un équipement ou un service de substitution durant une période raisonnable pour cause de défaillance ou d'indisponibilité en attendant la réparation sous garantie. L'exclusion de la garantie des dommages secondaires ou indirects n'est pas autorisée dans certains états ou pays, et peut donc ne pas s'appliquer dans votre cas.** Cette garantie vous accorde des droits spécifiques, auxquels peuvent s'ajouter d'autres droits qui varient selon les états.

## Autres pays que les États-Unis et le Canada

Pour les produits Toro exportés des États-Unis ou du Canada, demandez à votre distributeur (dépositaire) Toro la police de garantie applicable dans votre pays, région ou état. Si, pour une raison quelconque, vous n'êtes pas satisfait des services de votre distributeur, ou si vous avez du mal à vous procurer les informations de garantie, adressez-vous à l'importateur Toro. En dernier recours, adressez-vous à Toro Warranty Company.

## Droits des consommateurs australiens

Les clients australiens trouveront les détails relatifs aux droits des consommateurs australiens à l'intérieur du carton ou auprès de leur dépositaire Toro local.

\* L'usage résidentiel normal désigne l'utilisation du produit sur le terrain où se trouve votre domicile.

Réf. 374-0262 Rév. D