



Count on it.

Parts Catalog

Walk-Behind Rotary Broom

Model No. 23740—Serial No. 314000001 and Up

Model No. 38700—Serial No. 314000001 and Up



Ordering Replacement Parts

To order replacement parts, please supply the part number, the quantity, and the description of each part desired.

Understanding Reference Numbers

Each identified part in an illustration has a reference number. The reference number for a part also appears in the parts list, along with other information about the part.

This catalog uses two special reference number formats, one to indicate parts in a service assembly and another to indicate the quantity of a given part in an illustration.

Service Assembly Reference Numbers

Parts in service assemblies have reference numbers in the form a:b. The a represents the reference number of the entire service assembly and the b represents a sequential number unique to each part within the service assembly.

For example, a wheel assembly might be identified by reference number 6, the tire by 6:1, the valve by 6:2, and the wheel by 6:3. When you order the assembly identified by reference number 6, you receive all parts identified by reference numbers 6:1, 6:2, and 6:3. However, you may also order any part individually. Reference numbers of this type appear in illustration and in parts lists.

Reference Numbers Indicating Quantity

In an illustration, if a reference number indicates more than one part, the reference number has the form nX y. The n represents the quantity of the part, the X is the multiplication symbol, and the y represents the reference number.

For example, in an illustration, the reference number 2X 37 means that two of the parts identified by reference number 37 are indicated.

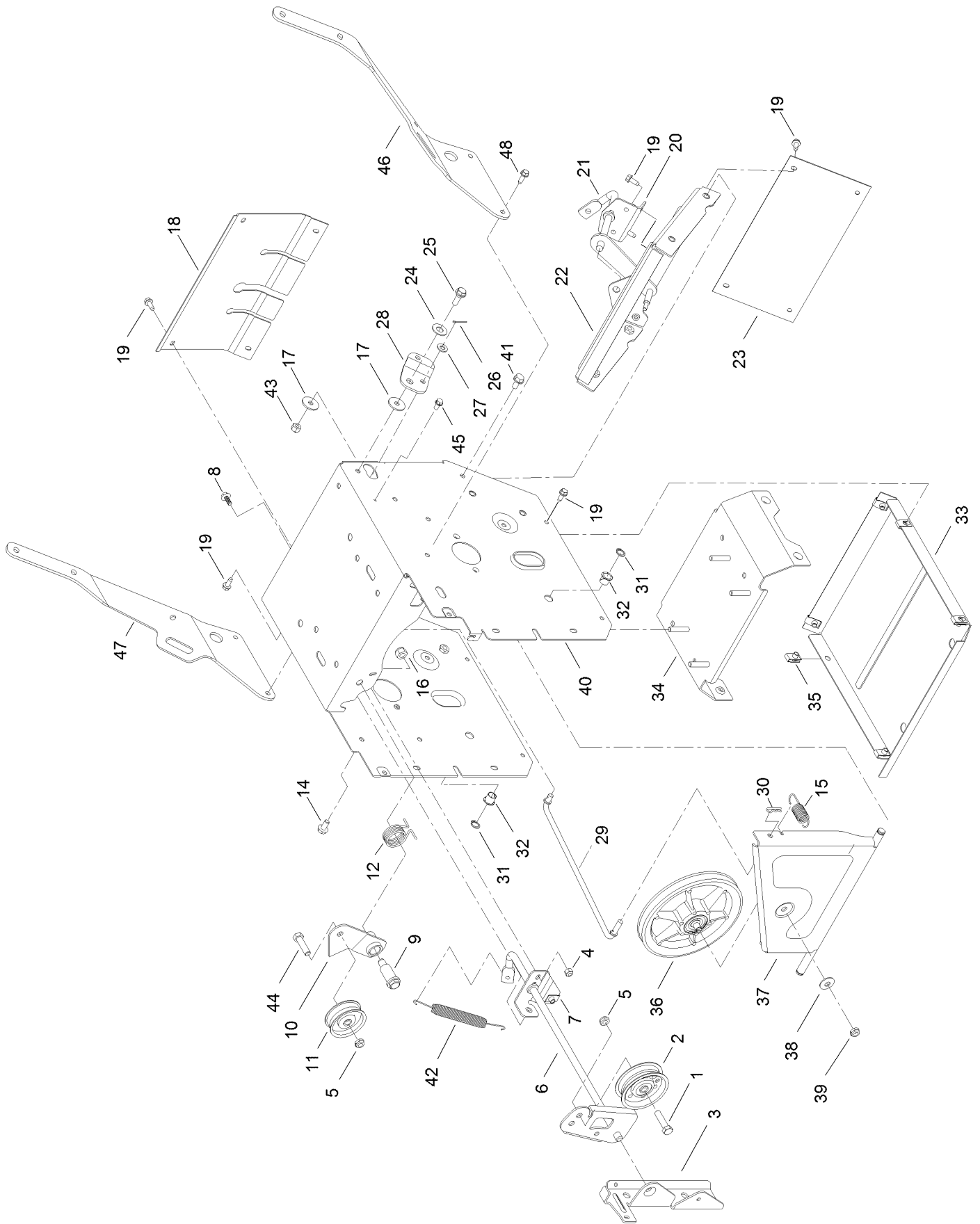
List of Abbreviations

| | | |
|--|--|--|
| AR: as required | HLH: hex lag head | PTO: power-take-off |
| ASM: assembly | HOC: height-of-cut | RH: right hand |
| BBC: blade brake control | HSBH: hex socket button head | ROPS: roll-over protection system |
| BHTF: button head thread forming | HSFH: hex socket flat head | RRB: rear roller brush |
| CARR: carriage | HSH: hex socket head | SFH: slotted fillister head |
| CCW: counter clockwise | HWH: hex washer head | SHH: slotted hex head |
| CW: clockwise | HWHTF: hex washer head thread forming | SHWH: slotted hex washer head |
| DEG: degrees | HYD: hydraulic | SPH: slotted pan head |
| DPA: Dual Point Adjustment | LH: left hand | SQH: square head |
| ECM: electronic control module | LP: Liquefied Petroleum Gas | SRH: slotted round head |
| EXT: external | LPG: Liquefied Petroleum Gas | STD: standard |
| FH: flat head | NI: nylon insert | TAP: self tapping |
| GA: gauge | NPTF: national pipe thread fine | TTH: torx truss head |
| HD: heavy-duty | PFH: phillips flat head | |
| HF: hex flange | PPH: phillips pan head | |
| HH: hex head | PPHTF: phillips pan head thread forming | |
| HHF: hex head flange | PRH: phillips round head | |
| HHFTF: hex head flange thread forming | PTH: phillips truss head | |
| HJ: hex jam | | |

Contents

| | |
|--------------------------------|----|
| Frame Assembly | 4 |
| Drive Assembly | 6 |
| Control Panel Assembly | 8 |
| Wheel Clutch Sprocket Assembly | 10 |
| Handle Assembly | 11 |
| Engine and Pully Assembly | 12 |
| Broom Head | 13 |
| Mounting Assembly | 14 |
| Broom Head and Frame Assembly | 15 |
| Core Assembly | 16 |
| Attachments and Accessories | 17 |

Frame Assembly

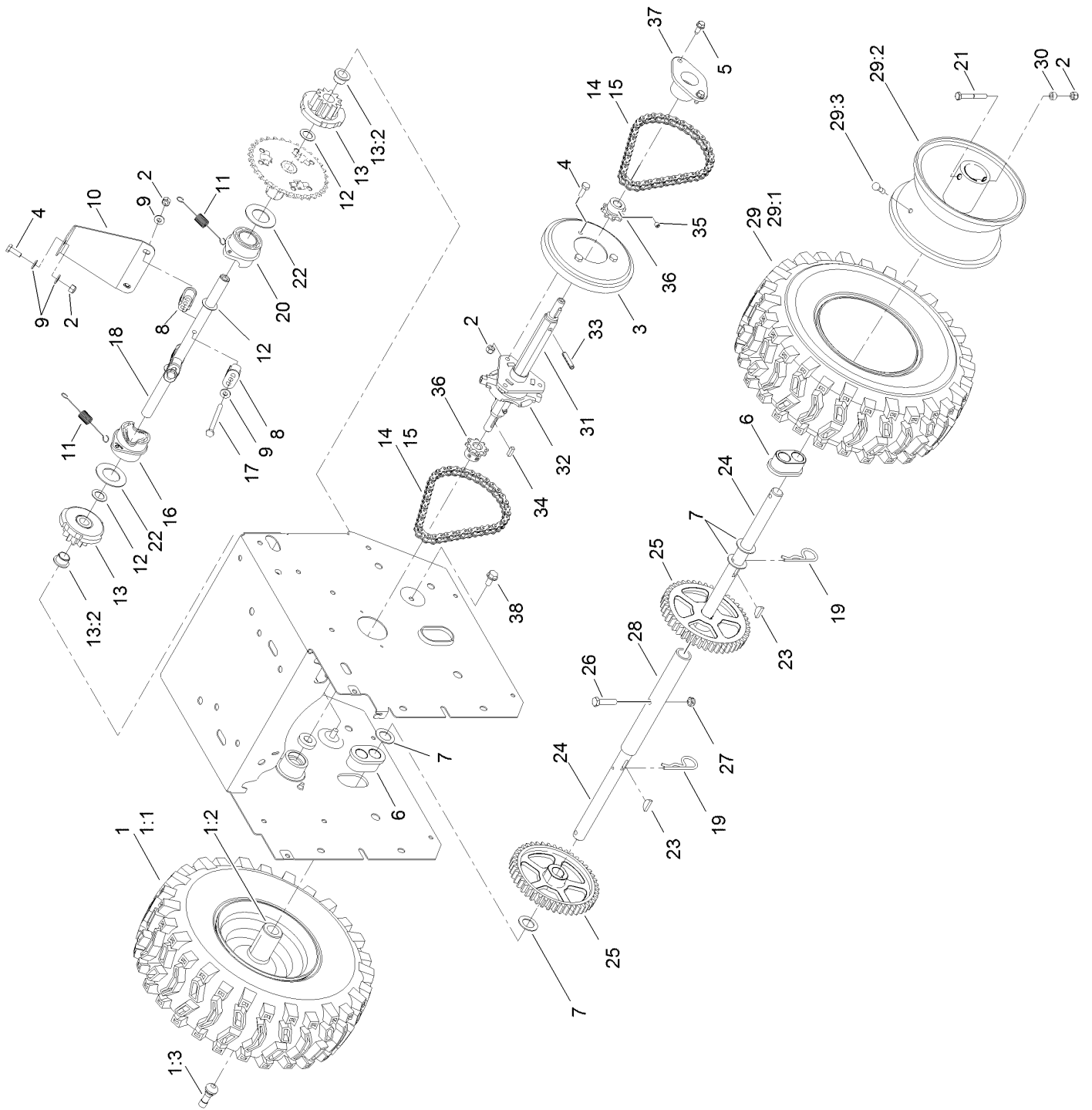


Frame Assembly (continued)

| <i>Ref.</i> | <i>Part Number</i> | <i>Qty.</i> | <i>Description</i> | <i>Ref.</i> | <i>Part Number</i> | <i>Qty.</i> | <i>Description</i> |
|-------------|--------------------|-------------|--------------------------|-------------|--------------------|-------------|-------------------------|
| 1 | 323-8 | 1 | Screw-HH | 26 | 3272-4 | 1 | Pin-Cotter |
| 2 | 92-7104 | 1 | Pulley-Idler | 27 | 3256-23 | 1 | Washer-Flat |
| 3 | 107-1039 | 1 | Bracket-Idler, Impeller | 28 | 107-1011 | 1 | Bellcrank-Drive |
| 4 | 3296-42 | 1 | Nut-Lock, NI | 29 | 106-4467 | 1 | Link-Control, Speed |
| 5 | 3296-59 | 2 | Nut-Lock, NI | 30 | 3290-307 | 1 | Pin-Hair |
| 6 | 107-3838-03 | 1 | Impeller Clutch ASM | 31 | 32151-61 | 2 | Ring-Retaining |
| 7 | 120-9824 | 1 | Bracket-Clutch, Impeller | 32 | 256-257 | 2 | Bushing-Nyliner |
| 8 | 99-6810 | 1 | Screw-HHF | 33 | 106-7330-01 | 1 | Pan-Bottom |
| 9 | 108-5056 | 1 | Bolt-Shoulder ● | 34 | 116-7678 | 1 | Brace-Frame |
| 10 | 108-5058 | 1 | Arm-Idler, Traction | 35 | 107069 | 8 | Clip |
| 11 | 3-4244 | 1 | Pulley-Idler | 36 | 108-0031 | 1 | Pulley-Traction |
| 12 | 108-7332 | 1 | Spring-Torsion | 37 | 108-7307 | 1 | Bracket-Wheel, Friction |
| 14 | 3234-7 | 2 | Screw-HHF | 38 | 3290-340 | 1 | Washer-Belleville |
| 15 | 107-1003 | 1 | Spring-Extension | 39 | 3296-5 | 1 | Nut-Lock |
| 16 | 3296-76 | 1 | Nut-Lock, NI | 40 | 120-9832-01 | 1 | Traction Frame ASM |
| 17 | 5-4460 | 2 | Washer-Pivot | 41 | 32144-14 | 4 | Screw-HWHTF |
| 18 | 108-0022-01 | 1 | Cover-Upper | 42 | 108-2976 | 1 | Spring-Extension |
| 19 | 32144-10 | 13 | Screw-HWH | 43 | 3296-29 | 1 | Nut-Lock, NI |
| 20 | 108-0036 | 1 | Bracket-Rod, Shift | 44 | 323-29 | 1 | Screw-HH |
| 21 | 106-7268 | 1 | Lever-Control, Traction | 45 | 32144-4 | 1 | Screw-HWH |
| 22 | 108-0026-03 | 1 | Shift Plate ASM | 46 | 116-7672-03 | 1 | Brace-Handle, LH |
| 23 | 106-7345-01 | 1 | Cover-Lower | 47 | 116-7673-03 | 1 | Brace-Handle, RH |
| 24 | 25-5640 | 1 | Washer | 48 | 32144-44 | 4 | Screw-HWH, Thread Roll |
| 25 | 27-0410 | 1 | Screw-Shoulder | | | | |

● Apply light coat of anti-seize to pivot surface.

Drive Assembly



Drive Assembly (continued)

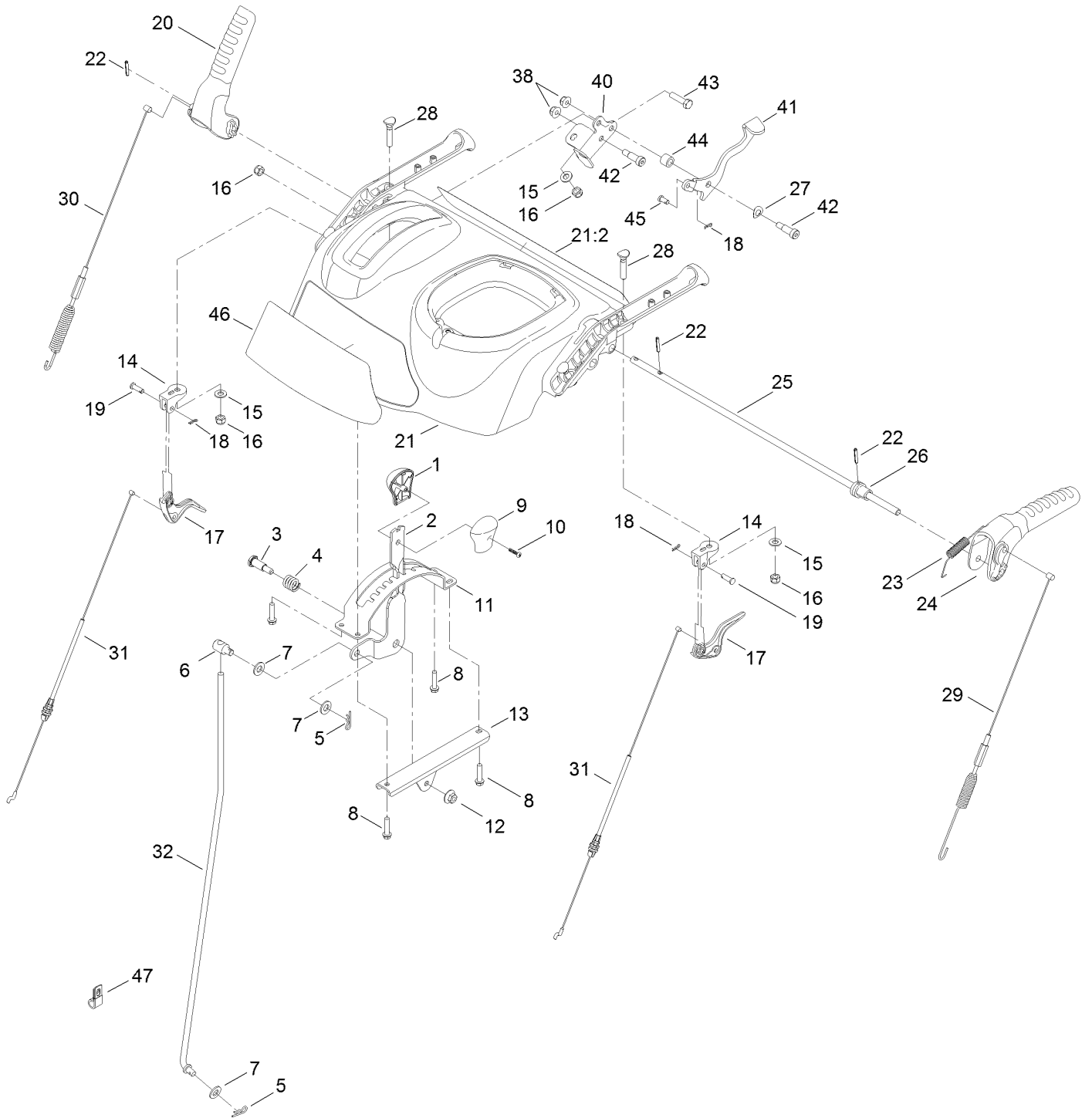
| <i>Ref.</i> | <i>Part Number</i> | <i>Qty.</i> | <i>Description</i> | <i>Ref.</i> | <i>Part Number</i> | <i>Qty.</i> | <i>Description</i> |
|-------------|--------------------|-------------|-------------------------|-------------|--------------------|-------------|-------------------------|
| 1 | | 1 | RH Wheel And Tire ASM ● | 20 | 107-8887 | 1 | Collar-Shift, LH |
| 1:1 | 107-3042 | 1 | Tire | 21 | 108-2975 | 2 | Screw-HH |
| 1:2 | 107-3043 | 1 | Rim-Tire | 22 | 107-8891 | 2 | Washer-Thrust |
| 1:3 | 232-27 | 1 | Stem-Valve | 23 | 3257-7 | 2 | Key-Woodruff |
| 2 | 3296-42 | 8 | Nut-Lock, NI | 24 | 107-8898 | 2 | Shaft-Axle |
| 3 | 119-1567 | 1 | Wheel-Friction | 25 | 106-4572 | 2 | Gear-Axle, 44 Tooth |
| 4 | 321-4 | 4 | Screw-HH | 26 | 322-17 | 1 | Screw-HH |
| 5 | 32144-10 | 4 | Screw-HWH | 27 | 3296-47 | 1 | Nut-Lock, NI |
| 6 | 106-4558 | 2 | Bearing-Axle | 28 | 106-7259 | 1 | Tube-Axle |
| 7 | 3-8664 | 4 | Washer-Thrust | 29 | | 1 | LH Wheel And Tire ASM ● |
| 8 | 107-8889 | 4 | Guide-Collar | 29:1 | 107-3042 | 1 | Tire |
| 9 | 3256-22 | 6 | Washer-Flat | 29:2 | 107-3043 | 1 | Rim-Tire |
| 10 | 107-8892-03 | 1 | Brace-Collar, Shift | 29:3 | 232-27 | 1 | Stem-Valve |
| 11 | 107-8893 | 2 | Spring-Extension | 30 | 55-9370 | 2 | Spacer-Blade, Rotor |
| 12 | 108-0015 | 4 | Washer-Flat | 31 | 116-7908 | 1 | Shaft-Hex ▲ |
| 13 | 107-8894 | 2 | 11T Gear ASM | 32 | 106-4434 | 1 | Trunnion-Hex |
| 13:2 | 108-2973 | 2 | Bushing-Flange | 33 | 32121-9 | 2 | Pin-Roll, Slotted |
| 14 | 108-0016 | 2 | Chain-Roller | 34 | 94-8850 | 2 | Key-Square |
| 15 | 2710-6 | 2 | Link-Connecting | 35 | 3245-32 | 4 | Screw-HSH |
| 16 | 107-8888 | 1 | Collar-Shift, RH | 36 | 106-7317 | 2 | Sprocket-8 Tooth |
| 17 | 321-23 | 2 | Screw-HH | 37 | 108-7319 | 2 | Retainer-Bearing |
| 18 | 107-8883 | 1 | Shaft-Intermediate ■ | 38 | 32144-14 | 2 | Screw-HWHTF |
| 19 | 3290-343 | 2 | Pin-Hair | | | | |

● Not serviced separately

▲ Apply light coat of oil to hex portion of shaft.

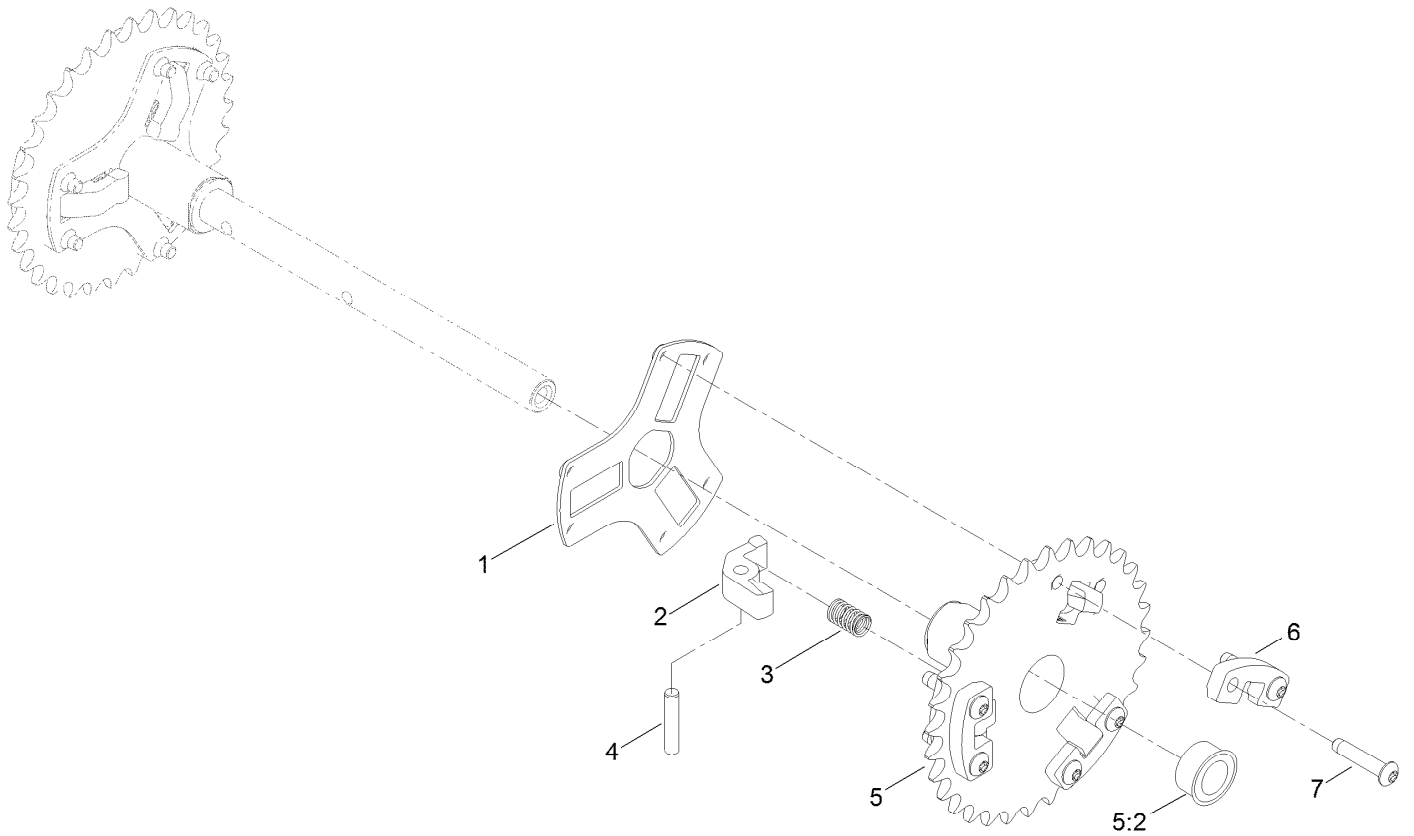
■ Apply light coat of oil before assembly.

Control Panel Assembly



Control Panel Assembly (continued)

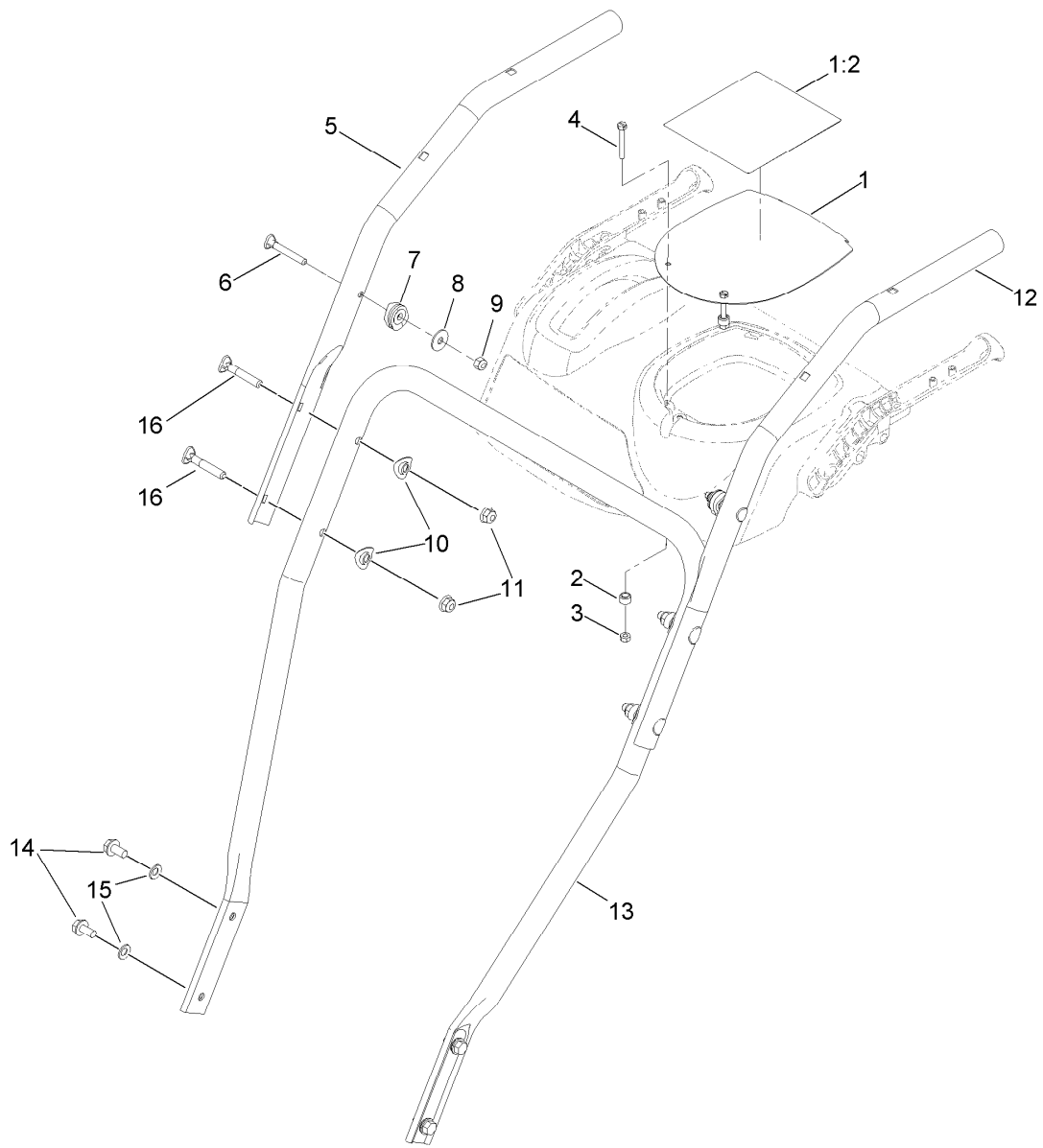
| <i>Ref.</i> | <i>Part Number</i> | <i>Qty.</i> | <i>Description</i> | <i>Ref.</i> | <i>Part Number</i> | <i>Qty.</i> | <i>Description</i> |
|-------------|--------------------|-------------|-----------------------|-------------|--------------------|-------------|----------------------------|
| 1 | 106-4423 | 1 | Knob-Shift, RH | 21:2 | 126-0017 | 1 | Decal-Control Panel |
| 2 | 106-7278-03 | 1 | Selector-Speed | 22 | 32121-125 | 3 | Pin-Spring |
| 3 | 63-2650 | 1 | Screw-Shoulder | 23 | 107-3001 | 1 | Spring-Tension |
| 4 | 108-7313 | 1 | Spring-Compression | 24 | 106-4410 | 1 | Lever-Traction |
| 5 | 3290-307 | 2 | Pin-Hair | 25 | 105-9996 | 1 | Rod-Lockout |
| 6 | 110-3446 | 1 | Trunnion-Rod | 26 | 107-1043 | 1 | Cam-Lockout |
| 7 | 3256-24 | 3 | Washer-Flat | 27 | 3290-212 | 1 | Washer-Spring |
| 8 | 46-8092 | 4 | Screw-Plastite | 28 | 107-3018 | 4 | Screw-Handle |
| 9 | 105-9999 | 1 | Knob-Shift, LH | 29 | 120-0132 | 1 | Cable-Traction |
| 10 | 94-4496 | 1 | Screw-PPH | 30 | 115-5685 | 1 | Cable-Augur |
| 11 | 106-7277-03 | 1 | Guide-Selector, Speed | 31 | 107-8896 | 2 | Cable-Clutch |
| 12 | 32128-13 | 1 | Nut-HHF | 32 | 107-1005 | 1 | Rod-Shift |
| 13 | 106-7279-03 | 1 | Mount-Selector, Speed | 38 | 104-8300 | 2 | Nut-Flange, NI |
| 14 | 105-9980 | 2 | Mount-Clutch, Lever | 40 | 116-7669 | 1 | Bracket-Lever, Broom Angle |
| 15 | 3256-70 | 4 | Washer-Flat | 41 | 116-7670 | 1 | Lever-Thumb, Broom Angle |
| 16 | 3296-72 | 5 | Nut-Lock, NI | 42 | 119-6915 | 2 | Screw-Shoulder, HSH |
| 17 | 106-4505 | 2 | Lever-Clutch | 43 | 322-6 | 1 | Screw-HH |
| 18 | 108-2992 | 3 | Pin-Hair | 44 | 116-7793 | 1 | Tube-Spacer |
| 19 | 1-808265 | 2 | Pin-Clevis | 45 | 146319 | 1 | Pin-Clevis |
| 20 | 106-4413 | 1 | Lever-Augur | 46 | 126-0016 | 1 | Decal-Toro Power Broom |
| 21 | 126-0063 | 1 | Control Panel ASM | 47 | 1-323229 | 1 | Clip-Loom |



Wheel Clutch Sprocket Assembly

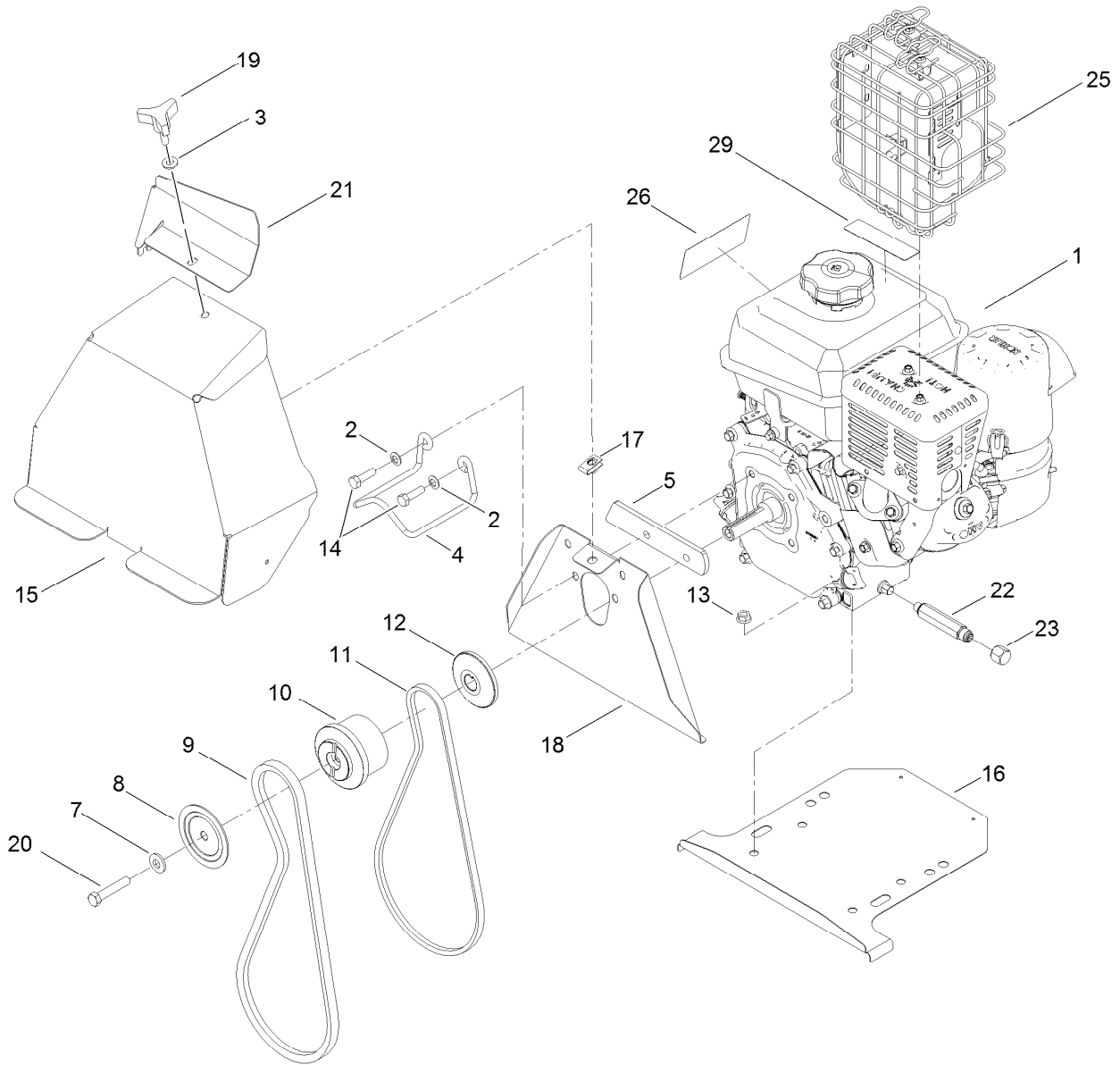
| <i>Ref.</i> | <i>Part Number</i> | <i>Qty.</i> | <i>Description</i> |
|-------------|--------------------|-------------|------------------------|
| 1 | 107-8886 | 2 | Retainer-Pin, Pawl |
| 2 | 107-8879 | 6 | Pawl-Clutch |
| 3 | 107-8885 | 6 | Spring-Compression |
| 4 | 107-8899 | 6 | Pin-Dowel ● |
| 5 | 107-8895 | 2 | 32T Sprocket ASM |
| 5:2 | 108-2973 | 2 | Bushing-Flange |
| 6 | 107-8880 | 6 | Support-Pawl |
| 7 | 108-0035 | 12 | Screw-Torx Button Head |

● Apply light coat of oil before assembly.



Handle Assembly

| <i>Ref.</i> | <i>Part Number</i> | <i>Qty.</i> | <i>Description</i> | <i>Ref.</i> | <i>Part Number</i> | <i>Qty.</i> | <i>Description</i> |
|-------------|--------------------|-------------|---------------------|-------------|--------------------|-------------|--------------------|
| 1 | 116-7788 | 1 | Panel, Control | 9 | 3296-73 | 2 | Nut-Lock, NI |
| 1:2 | 116-7370 | 1 | Decal-Warning | 10 | 107-3844 | 4 | Washer |
| 2 | 55-9370 | 2 | Spacer-Blade, Rotor | 11 | 104-8300 | 4 | Nut-Flange, NI |
| 3 | 3296-2 | 2 | Nut-Lock, NI | 12 | 108-0037-03 | 1 | Handle-Upper, LH |
| 4 | 32105-5 | 2 | Screw | 13 | 105-9981-03 | 1 | Handle-Lower |
| 5 | 108-0038-03 | 1 | Handle-Upper, RH | 14 | 32144-14 | 4 | Screw-HWHTF |
| 6 | 95-4453 | 2 | Screw | 15 | 3290-475 | 4 | Washer-Belleville |
| 7 | 106-4509 | 2 | Clamp-Cable | 16 | 92-2260 | 4 | Screw-Handle |
| 8 | 87-6630 | 2 | Washer-Plain | | | | |



Engine and Pully Assembly

| Ref. | Part Number | Qty. | Description |
|------|-------------|------|-------------------------|
| 1 | | 1 | Engine-Kohler, Ch270 ●▲ |
| 2 | 3290-475 | 2 | Washer-Belleville |
| 3 | 1-303334 | 1 | Washer-Spring |
| 4 | 107-3835 | 1 | Guide-Belt |
| 5 | 116-7659-03 | 1 | Spacer-Cover Belt |
| 7 | 98-5975 | 1 | Washer-Belleville |
| 8 | 112-8139 | 1 | Sheave-Half, Impeller ■ |
| 9 | 1-653332 | 1 | Belt-Blower |
| 10 | 112-8117 | 1 | Pulley-Engine, Center ■ |
| 11 | 94-8812 | 1 | V Belt-Traction |
| 12 | 112-8138 | 1 | Sheave-Half, Traction ■ |
| 13 | 32128-20 | 4 | Nut-HF |
| 14 | 3210-6 | 2 | Screw-HH |

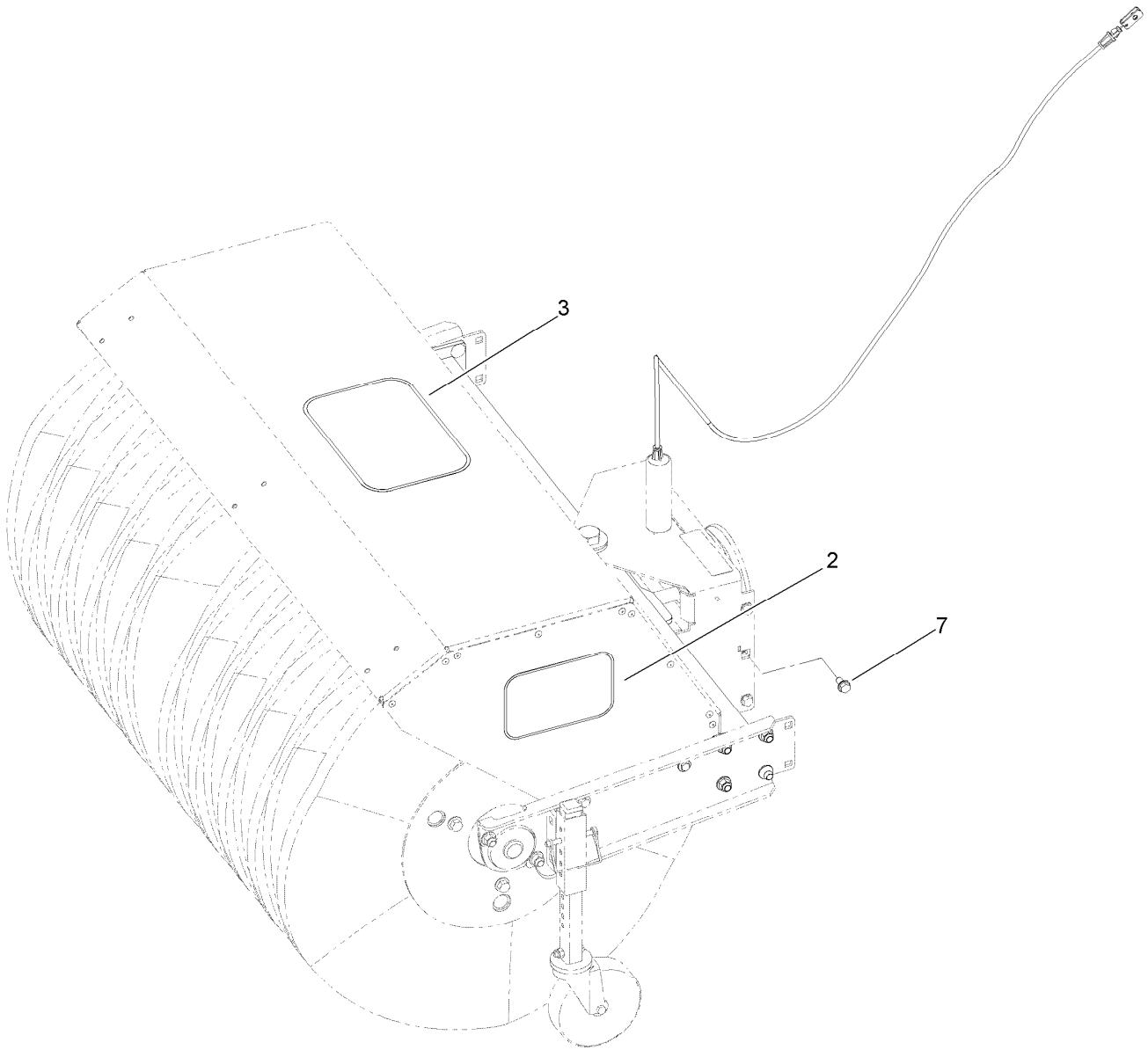
| Ref. | Part Number | Qty. | Description |
|------|-------------|------|-----------------------|
| 15 | 116-7258-01 | 1 | Cover-Belt |
| 16 | 116-8761-01 | 1 | Shield-Drive |
| 17 | 94-2413 | 1 | U-Nut |
| 18 | 116-7431-01 | 1 | Cover-Belt, Back |
| 19 | 106-2240 | 1 | Knob |
| 20 | 3211-9 | 1 | Screw-HH ◆ |
| 21 | 116-7922-01 | 1 | Shield-Ice |
| 22 | 116-8721 | 1 | Adapter |
| 23 | 01-201-4520 | 1 | Cap |
| 25 | 116-8549 | 1 | Guard-Muffler |
| 26 | 116-8505 | 1 | Decal-Engine Fuel |
| 29 | 117-2718 | 1 | Decal-Arrester, Spark |

● Not serviced separately

▲ Obtain parts from www.kohlerplus.com

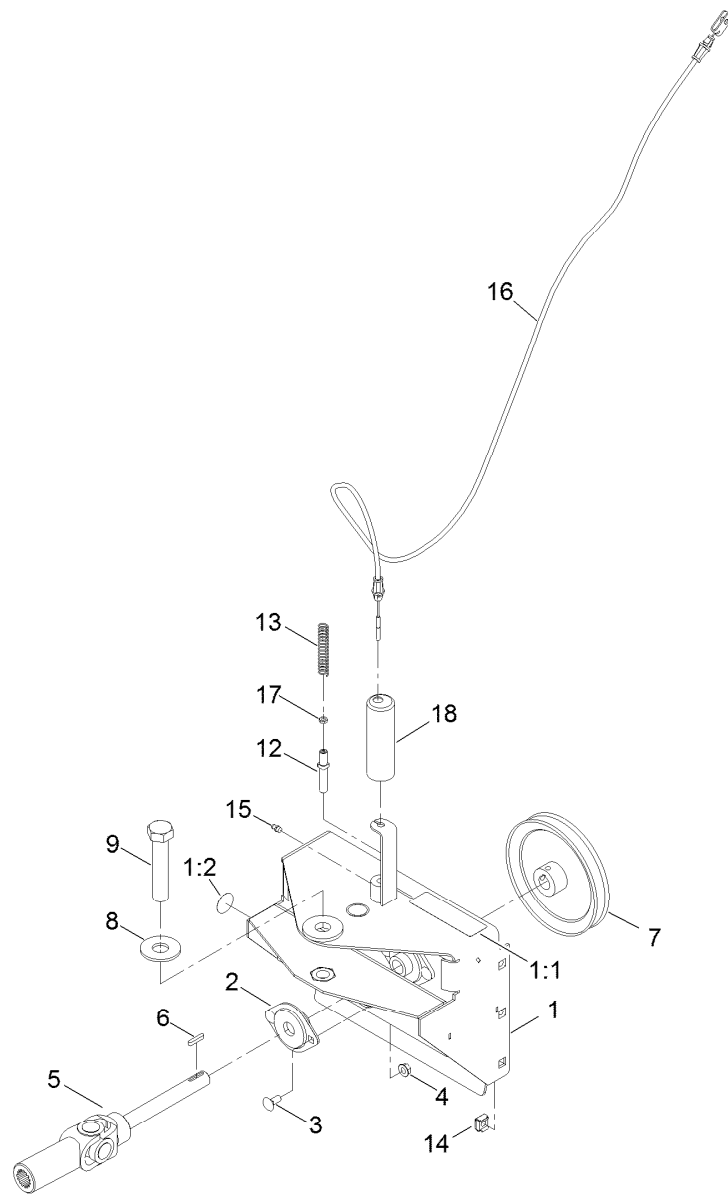
◆ Use Pro-Lock, Nut Type (P/N 1-840022, .5ml tube) on threads.

■ Apply anti-seize compound in bore.



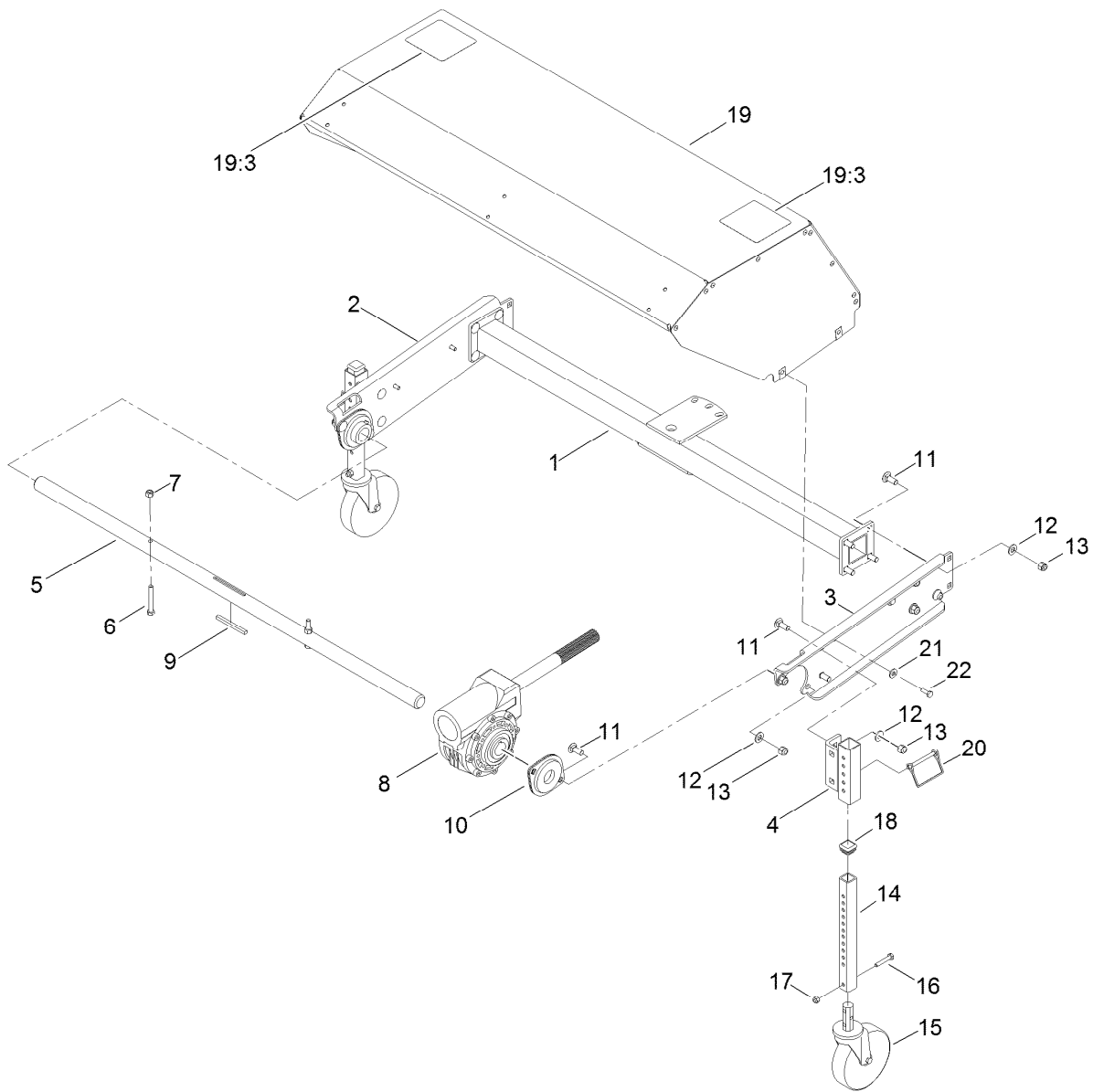
Broom Head

| <i>Ref.</i> | <i>Part Number</i> | <i>Qty.</i> | <i>Description</i> |
|-------------|--------------------|-------------|--------------------|
| 2 | 62-5550 | 2 | Decal |
| 3 | 66-6140 | 1 | Decal |
| 7 | 32144-14 | 6 | Screw-HWHTF |



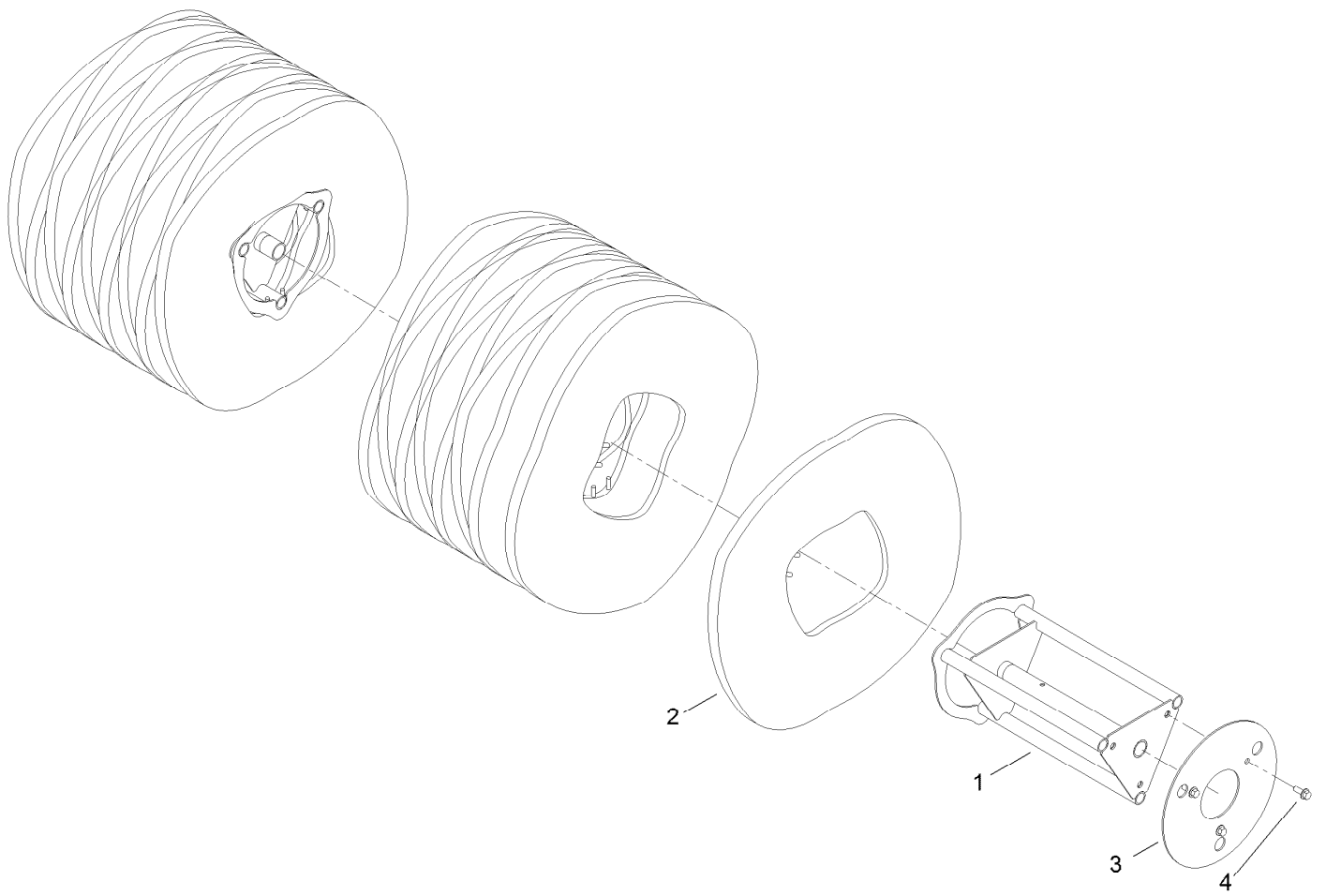
Mounting Assembly

| <i>Ref.</i> | <i>Part Number</i> | <i>Qty.</i> | <i>Description</i> | <i>Ref.</i> | <i>Part Number</i> | <i>Qty.</i> | <i>Description</i> |
|-------------|--------------------|-------------|---------------------------|-------------|--------------------|-------------|--------------------|
| 1 | 116-8122 | 1 | Frame-Broom, Mounting ASM | 8 | 3256-8 | 1 | Washer-Flat |
| 1:1 | 112-9028 | 1 | Decal-Cover Missing | 9 | 3216-7 | 1 | Screw-HH |
| 1:2 | 115-2903 | 2 | Decal-Grease | 12 | 116-8106 | 1 | Pin-Swing |
| 2 | 116-8103 | 2 | Bearing-.75 Shaft | 13 | 116-8107 | 1 | Spring-Compression |
| 3 | 3230-1 | 4 | Bolt-CARR | 14 | 3290-496 | 6 | Nut-Retainer |
| 4 | 32128-20 | 4 | Nut-HF | 15 | 302-19 | 1 | Fitting-Grease |
| 5 | 116-8104 | 1 | Driveline-Series | 16 | 116-7671 | 1 | Cable-Broom Angle |
| 6 | 116-8105 | 1 | Key-Round End | 17 | 3217-26 | 1 | Nut-Hex |
| 7 | 116-7930 | 1 | Pulley-Impeller | 18 | 116-8108 | 1 | Cap |



Broom Head and Frame Assembly

| Ref. | Part Number | Qty. | Description | Ref. | Part Number | Qty. | Description |
|------|-------------|------|----------------|------|-------------|------|----------------------------|
| 1 | 116-8544 | 1 | Frame | 13 | 3296-39 | 16 | Nut-Lock, NI |
| 2 | 116-8546 | 1 | Arm-Right | 14 | 116-8223 | 2 | Tube-Square, Height Adjust |
| 3 | 116-8545 | 1 | Arm-Left | 15 | 116-8117 | 2 | Caster-Wheel |
| 4 | 116-8543 | 2 | Caster-Bracket | 16 | 321-9 | 2 | Screw-HH |
| 5 | 116-8114 | 1 | Shaft | 17 | 3296-42 | 2 | Nut-Lock, NI |
| 6 | 322-11 | 2 | Screw-HH | 18 | 103-3202 | 2 | Cap |
| 7 | 3296-29 | 2 | Nut-Lock, NI | 19 | 116-8123 | 1 | Broom-Hood ASM |
| 8 | 116-8115 | 1 | Gearbox-Worm | 19:3 | 116-8140 | 2 | Decal-Warning |
| 9 | 83-2800 | 1 | Key-Straight | 20 | 116-8224 | 2 | Pin, Wire Lock |
| 10 | 116-8116 | 2 | Bearing-Flange | 21 | 3256-2 | 4 | Washer-Flat |
| 11 | 3231-2 | 16 | Bolt-CARR | 22 | 321-4 | 4 | Screw-HH |
| 12 | 3256-24 | 16 | Washer-Flat | | | | |



Core Assembly

| <i>Ref.</i> | <i>Part Number</i> | <i>Qty.</i> | <i>Description</i> |
|-------------|--------------------|-------------|---------------------|
| 1 | 116-8119 | 2 | Core-Broom |
| 2 | 116-8120 | 18 | Segment-Poly |
| 3 | 116-8121 | 2 | Plate-End, Retainer |
| 4 | 3234-11 | 6 | Screw-HHF |

Attachments and Accessories

For 38700 Walk-Behind Rotary Broom

| Product Name | Model/Part |
|----------------------------|-------------------|
| Cab Kit..... | 116-8227 |
| Turf Caster Kit..... | 116-8228 |
| Dirt Deflector Kit..... | 116-8229 |
| Debris Box Kit..... | 116-8230 |
| Black Snow/Ice Wafers..... | 116-8232 |
| Yellow Turf Wafers..... | 116-8233 |
| Light Kit..... | 116-8234 |
| Rack Kit..... | 116-9820 |
| Electrical Power Kit..... | 126-0023 |
| Sprayer Boom Kit..... | 126-0024 |

Notes:

Notes:



Count on it.