



High-Lift Blade and Baffle Kit

2012 TimeMaster Lawn Mower

Model No. 127-6879

Installation Instructions

⚠ WARNING

CALIFORNIA Proposition 65 Warning

This product contains a chemical or chemicals known to the State of California to cause cancer, birth defects, or reproductive harm.

Important: You will need a torque wrench to install the blades properly. If you do not have a torque wrench or are uncomfortable performing this procedure, contact an Authorized Service Dealer.

Note: Determine the left and right sides of the machine from the normal operating position.

1

Preparing the Machine

No Parts Required

Procedure

1. Lock the handle in the vertical position (Figure 1); refer to Adjusting the Handle Height in the *Operator's Manual*.

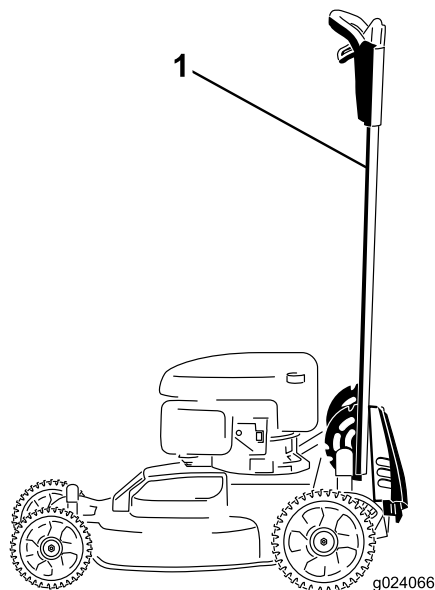


Figure 1

1. Handle locked in the vertical position

2. Disconnect the wire from the spark plug.

⚠ WARNING

The blades are sharp; contacting a blade could result in serious personal injury.

- Disconnect the wire from the spark plug.
- Wear gloves when servicing the blade.

3. Tip the machine onto its side, with the dipstick down, until the upper handle rests on the ground.



2

Removing the Existing Blades

No Parts Required

Procedure

1. Use a block of wood to hold each blade steady, and turn the blade bolt counterclockwise as shown in Figure 2.

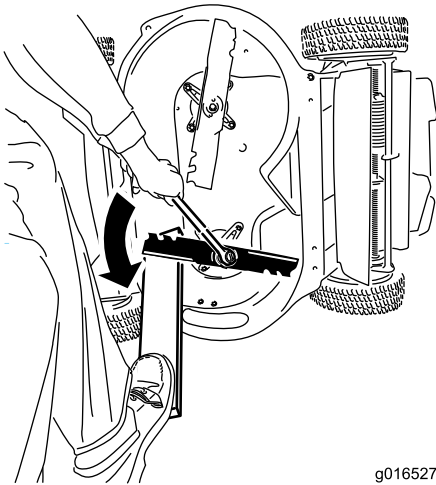


Figure 2

2. Remove each blade as shown in Figure 3.

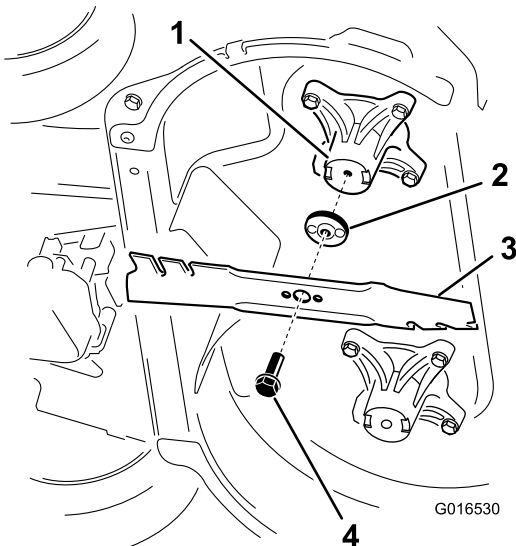


Figure 3

- | | |
|---------------------|-------------------|
| 1. Spindle (2) | 3. Blade (2) |
| 2. Blade driver (2) | 4. Blade bolt (2) |

3

Installing the Baffle

Parts needed for this procedure:

1	Baffle
---	--------

Procedure

1. Remove the 4 bolts and 4 nuts in the front of the machine housing (Figure 4).

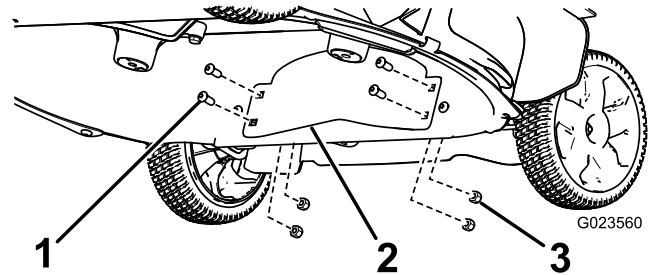


Figure 4

- | | |
|-------------|------------|
| 1. Bolt (4) | 3. Nut (4) |
| 2. Baffle | |

2. Install the baffle with the 4 bolts and 4 nuts that you removed in step 1 (Figure 4).

4

Installing the High-lift Blades

Parts needed for this procedure:

2	High-lift blade
---	-----------------

Procedure

1. Install the first blade so that it is horizontal, along with all mounting hardware as shown in Figure 3.

Note: Tighten the bolt with your fingers.

Important: Position the curved ends of the blades to point toward the machine housing. Nest the raised areas on each blade driver with the recesses in the head of its corresponding spindle, and nest the pins on the other side of each blade driver with the holes in its corresponding blade.

2. Steady the blade with a block of wood, and turn the blade bolt clockwise with a torque wrench as shown in Figure 5.

Note: Torque the blade bolt to 82 N-m (60 ft-lb).

Important: A bolt torqued to 82 N-m (60 ft-lb) is very tight. Put your weight behind the wrench and tighten the bolt securely. This bolt is very difficult to overtighten.

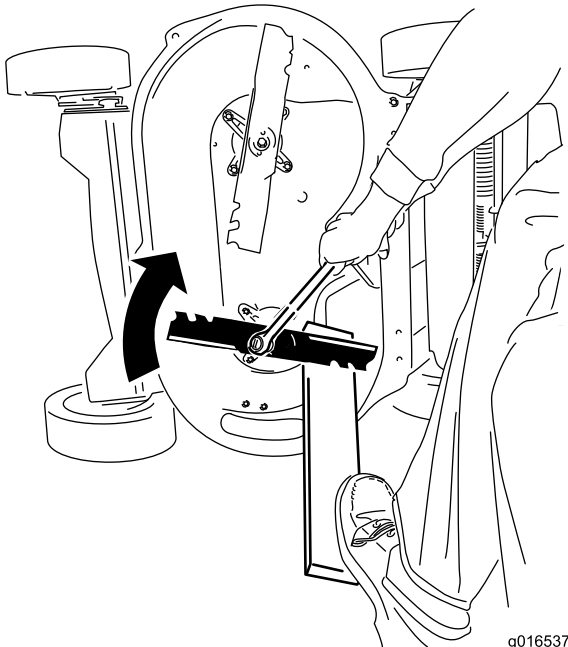


Figure 5

3. Rotate the installed blade 1/4 turn until it is vertical.

4. Install the other blade in the same manner as the first blade (refer to steps 1 and 2).

Note: The blades should be perpendicular, forming an inverted “T” as shown in Figure 6.

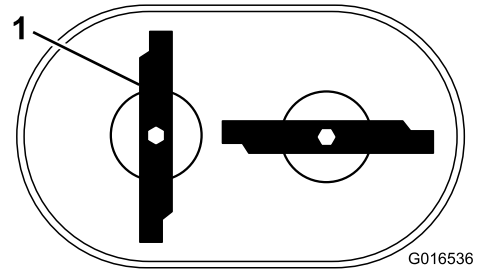


Figure 6

1. Blade (2)

5. Tighten the second blade; refer to step 2.
6. Rotate the blades by hand a full 360° turn to ensure that they do not touch.

Note: If the blades touch each other, they are not mounted correctly. Repeat this procedure until the blades no longer touch each other.

▲ WARNING

Incorrectly installing the blades could damage the machine or cause an injury to the operator or to bystanders.

5

Replacing the Side-discharge Door

Parts needed for this procedure:

1	Side-discharge door
1	Spring

Procedure

1. Remove the 2 hex-head bolts (3/8-inch) that secure the side-discharge-door assembly onto the mower housing (Figure 7), and remove the side-discharge door from the machine.

Note: Do not discard the bolts or the door assembly.

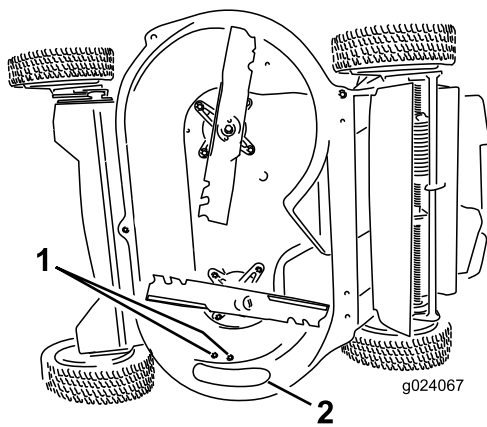


Figure 7

1. Hex-head bolts
2. Side-discharge opening

2. Pry the rod out of the spring on the side-discharge door with a large, flat-head screwdriver so that the other end of the rod is beyond the opening in the end of the door hinge (Figure 8).

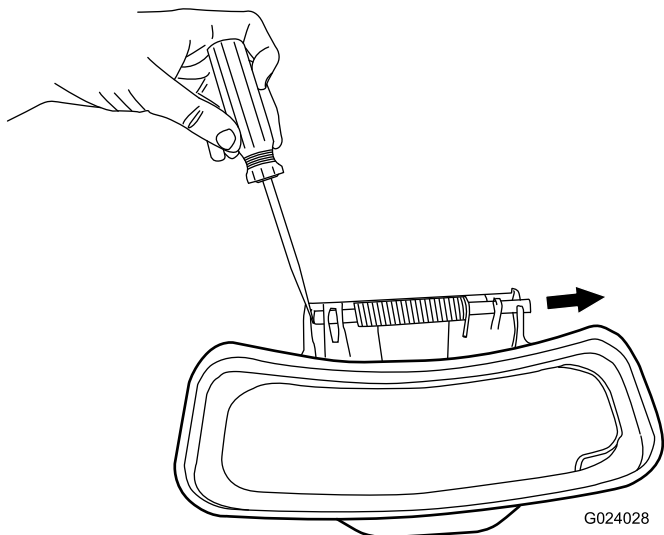


Figure 8

3. Grasp the exposed end of the rod with a pliers and remove the rod.

Note: Do not discard the rod.
4. Remove the spring and the bracket from the side-discharge door.

Note: Do not discard the bracket or the 2 hex-head bolts.
5. Assemble the bracket, the new spring, and the rod onto the new side-discharge door.

Note: Insert a leg of the spring into the opening of the door in the location shown in Figure 9.

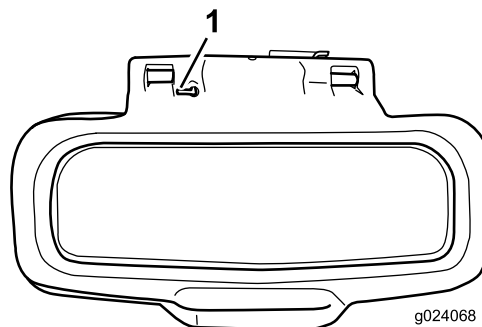


Figure 9

1. Insert the leg of the spring here.

6. Wedge the side-discharge-door assembly open with a large screwdriver so that you can install the door assembly onto the mower housing (Figure 10).

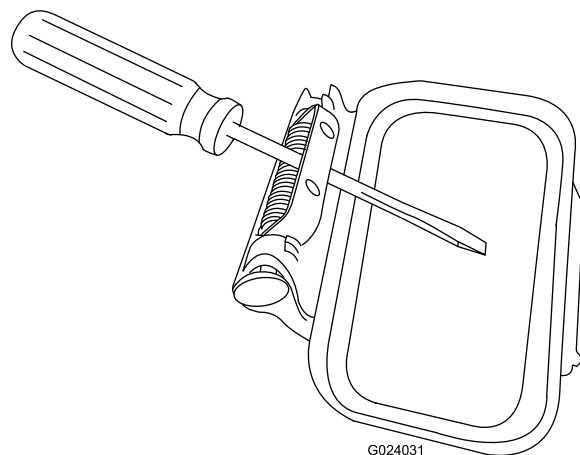


Figure 10

7. Return the machine to the operating position.
8. Position the door assembly onto the housing, and load the spring by setting the free spring leg onto the mower housing.
9. Align the 2 holes of the bracket of the door assembly with the 2 holes in the mower housing.
10. Secure the door assembly to the mower housing with the 2 hex-head bolts previously removed.

Note: Tighten the hex-head bolts securely.
11. Remove the screwdriver from the side-discharge door and allow the door to close.
12. Connect the wire to the spark plug.