



Count on it.

Parts Catalog

18in Straight-Shaft Gas Trimmer

Model No. 51974—Serial No. 31000001 and Up



Ordering Replacement Parts

To order replacement parts, please supply the part number, the quantity, and the description of each part desired.

Understanding Reference Numbers

Each identified part in an illustration has a reference number. The reference number for a part also appears in the parts list, along with other information about the part.

This catalog uses two special reference number formats, one to indicate parts in a service assembly and another to indicate the quantity of a given part in an illustration.

Service Assembly Reference Numbers

Parts in service assemblies have reference numbers in the form a:b. The a represents the reference number of the entire service assembly and the b represents a sequential number unique to each part within the service assembly.

For example, a wheel assembly might be identified by reference number 6, the tire by 6:1, the valve by 6:2, and the wheel by 6:3. When you order the assembly identified by reference number 6, you receive all parts identified by reference numbers 6:1, 6:2, and 6:3. However, you may also order any part individually. Reference numbers of this type appear in illustration and in parts lists.

Reference Numbers Indicating Quantity

In an illustration, if a reference number indicates more than one part, the reference number has the form nX y. The n represents the quantity of the part, the X is the multiplication symbol, and the y represents the reference number.

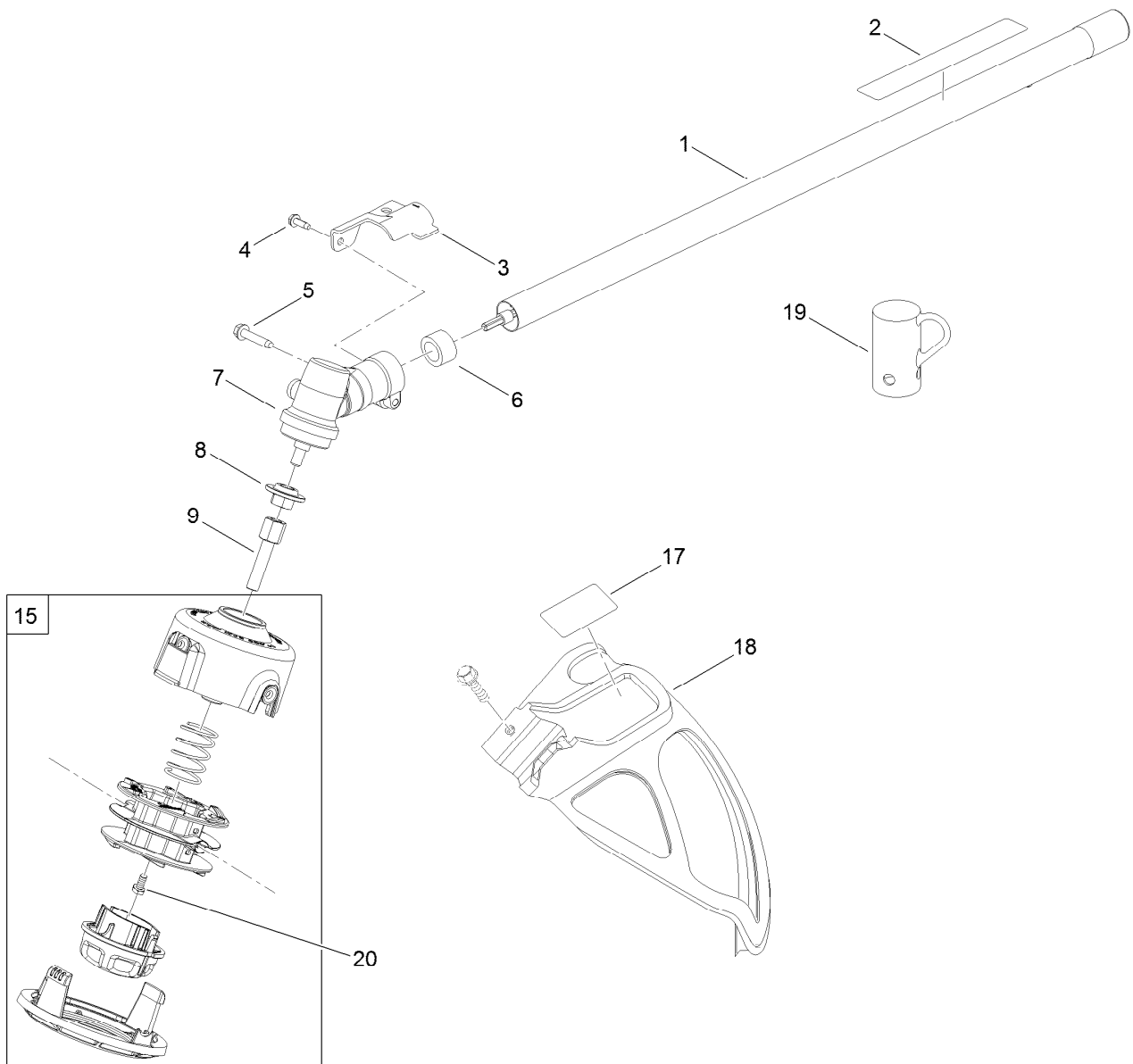
For example, in an illustration, the reference number 2X 37 means that two of the parts identified by reference number 37 are indicated.

List of Abbreviations

AR: as required	HLH: hex lag head	PTO: power-take-off
ASM: assembly	HOC: height-of-cut	RH: right hand
BBC: blade brake control	HSBH: hex socket button head	ROPS: roll-over protection system
BHTF: button head thread forming	HSFH: hex socket flat head	RRB: rear roller brush
CARR: carriage	HSH: hex socket head	SFH: slotted fillister head
CCW: counter clockwise	HWH: hex washer head	SHH: slotted hex head
CW: clockwise	HWHTF: hex washer head thread forming	SHWH: slotted hex washer head
DEG: degrees	HYD: hydraulic	SPH: slotted pan head
DPA: Dual Point Adjustment	LH: left hand	SQH: square head
ECM: electronic control module	LP: Liquefied Petroleum Gas	SRH: slotted round head
EXT: external	LPG: Liquefied Petroleum Gas	STD: standard
FH: flat head	NI: nylon insert	TAP: self tapping
GA: gauge	NPTF: national pipe thread fine	TTH: torx truss head
HD: heavy-duty	PFH: phillips flat head	
HF: hex flange	PPH: phillips pan head	
HH: hex head	PPHTF: phillips pan head thread forming	
HHF: hex head flange	PRH: phillips round head	
HHFTF: hex head flange thread forming	PTH: phillips truss head	
HJ: hex jam		

Contents

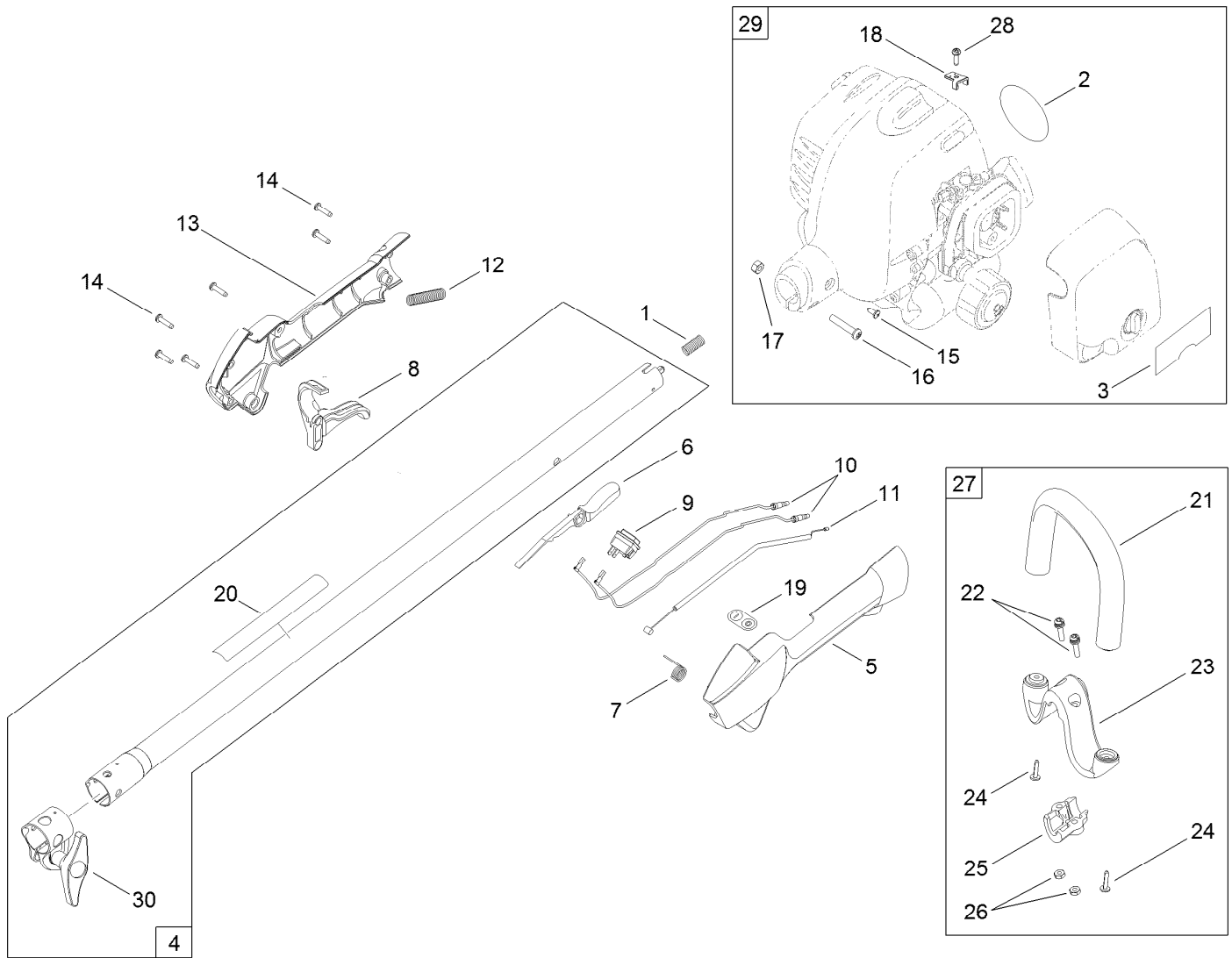
Trimmer Head, Straight Shaft and Guard Assembly 4
Powerhead, Upper Shaft and Handle Assembly 5
Muffler, Carburator and Fuel Tank and Housing Assembly 6



Trimmer Head, Straight Shaft and Guard Assembly

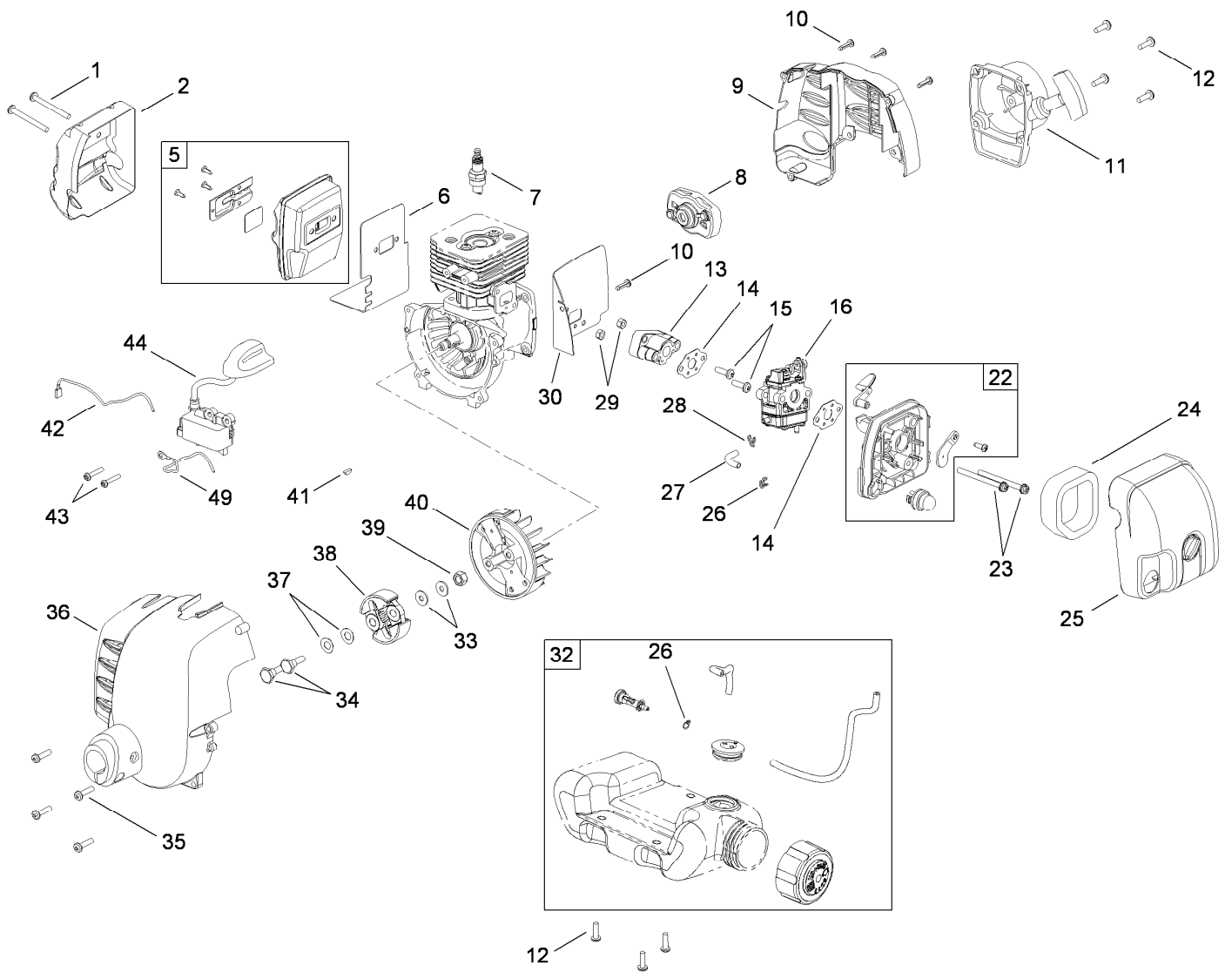
Ref.	Part Number	Qty.	Description
1	308035013	1	Straight Shaft ASM
2	940230132	1	Label-Warning
3	638125003	1	Clamp-Deflector, Grass
4	660736001	1	Screw-HWH
5	660642001	1	Screw
6	518367001	1	Spacer
7	308210001	1	Gear Case ASM
8	678011001	1	Washer-Flange
9	678019003	1	Adaptor-Shaft, Trimmer Head
15	308923014	1	Trimmer Head ASM
17	940627020	1	Label-Deflector, Grass
18	308473001	1	Grass Deflector ASM
19	518019002	1	Cap-Hanger
20	660649001	1	Bolt ●

● Serviced separately, not sold with this kit



Powerhead, Upper Shaft and Handle Assembly

Ref.	Part Number	Qty.	Description	Ref.	Part Number	Qty.	Description
1	678906001	1	Spring-Compression	16	T660697001	1	Screw
2	940865001	1	Plate-Logo	17	678029002	1	Nut-Hex
3	940686064	1	Label-Start, Lower	18	638133001	1	Clamp-Cable, Throttle
4	308159015	1	Upper Shaft ASM	19	940864001	1	Label-On/Off
5	518122001	1	Support-Handle, Rear	20	940657034	1	Label-Warning
6	518125001	1	Button-Off, Lock	21	000998535	1	Handle-Front
7	690694002	1	Spring-Trigger	22	660653001	2	Screw
8	518124001	1	Trigger	23	518038001	1	Clamp-M
9	760394002	1	Switch	24	660637002	2	Screw
10	308863029	2	Lead	25	518020001	1	Clamp
11	308225003	1	Cable-Throttle	26	81068	2	Nut-Hex
12	518210004	1	Tube-Corrugated	27	308056003	1	Front Handle ASM
13	518123001	1	Cover-Handle, Rear	28	660734001	1	Screw
14	660563002	6	Screw	29	308466010	1	Powerhead ASM
15	660669001	1	Screw-PPH	30	308045008	1	Clamp-Boom



Muffler, Carburetor and Fuel Tank and Housing Assembly

Ref.	Part Number	Qty.	Description	Ref.	Part Number	Qty.	Description
1	660347001	2	Screw-Pan HD	27	570259008	1	Line-Fuel
2	638027002	1	Shield-Heat	28	690700001	1	Clip-Hose
5	300748021	1	Muffler ASM	29	690840001	2	Nut
6	630002006	1	Gasket-Muffler	30	900711008	1	Gasket-Insulator
7	870174001	1	Sparkplug	32	310833001	1	Fuel Tank And Cap ASM
8	308004001	1	Pulley ASM	33	690695001	2	Washer
9	590470001	1	Housing-Engine, Rear	34	6635301	2	Screw-Clutch
10	660563001	4	Screw	35	660344001	4	Screw-Pan HD
11	308430001	1	Recoil Starter ASM	36	300754023	1	Front Housing ASM
12	660351001	7	Screw-Pan HD	37	690696001	2	Washer-Curved
13	518329001	1	Insulator-Dam, Heat	38	300756006	1	Clutch ASM
14	900711003	2	Gasket-Carburetor	39	690689001	1	Nut-Rotor
15	660344003	2	Screw-Pan HD	40	640574002	1	Rotor
16	308480001	1	Carburetor ASM	41	690688001	1	Key-Woodruff
22	308478001	1	Filter Housing ASM	42	290143001	1	Wire-Lead, Black
23	660346001	2	Screw-Pan HD	43	660349001	2	Screw-Pan HD
24	560873001	1	Element	44	290178006	1	Coil Boot ASM
25	308207004	1	Cover ASM	49	290143002	1	Wire-Lead, Red
26	690699001	1	Clip-Hose				

Notes:



Count on it.