



Count on it.

Parts Catalog

**21in Heavy-Duty Recycler®/Rear
Bagger Lawn Mower**

Model No. 22297—Serial No. 314000001 and Up



Ordering Replacement Parts

To order replacement parts, please supply the part number, the quantity, and the description of each part desired.

Understanding Reference Numbers

Each identified part in an illustration has a reference number. The reference number for a part also appears in the parts list, along with other information about the part.

This catalog uses two special reference number formats, one to indicate parts in a service assembly and another to indicate the quantity of a given part in an illustration.

Service Assembly Reference Numbers

Parts in service assemblies have reference numbers in the form a:b. The a represents the reference number of the entire service assembly and the b represents a sequential number unique to each part within the service assembly.

For example, a wheel assembly might be identified by reference number 6, the tire by 6:1, the valve by 6:2, and the wheel by 6:3. When you order the assembly identified by reference number 6, you receive all parts identified by reference numbers 6:1, 6:2, and 6:3. However, you may also order any part individually. Reference numbers of this type appear in illustration and in parts lists.

Reference Numbers Indicating Quantity

In an illustration, if a reference number indicates more than one part, the reference number has the form nX y. The n represents the quantity of the part, the X is the multiplication symbol, and the y represents the reference number.

For example, in an illustration, the reference number 2X 37 means that two of the parts identified by reference number 37 are indicated.

List of Abbreviations

AR: as required

ASM: assembly

BBC: blade brake control

BHTF: button head thread forming

CARR: carriage

CCW: counter clockwise

CW: clockwise

DEG: degrees

DPA: Dual Point Adjustment

ECM: electronic control module

EXT: external

FH: flat head

GA: gauge

HD: heavy-duty

HF: hex flange

HH: hex head

HHF: hex head flange

HHFTF: hex head flange thread forming

HJ: hex jam

HLH: hex lag head

HOC: height-of-cut

HSBH: hex socket button head

HSFH: hex socket flat head

HSH: hex socket head

HWH: hex washer head

HWHTF: hex washer head thread forming

HYD: hydraulic

LH: left hand

LP: Liquefied Petroleum Gas

LPG: Liquefied Petroleum Gas

NI: nylon insert

NPTF: national pipe thread fine

PFH: phillips flat head

PPH: phillips pan head

PPHTF: phillips pan head thread forming

PRH: phillips round head

PTH: phillips truss head

PTO: power-take-off

RH: right hand

ROPS: roll-over protection system

RRB: rear roller brush

SFH: slotted fillister head

SHH: slotted hex head

SHWH: slotted hex washer head

SPH: slotted pan head

SQH: square head

SRH: slotted round head

STD: standard

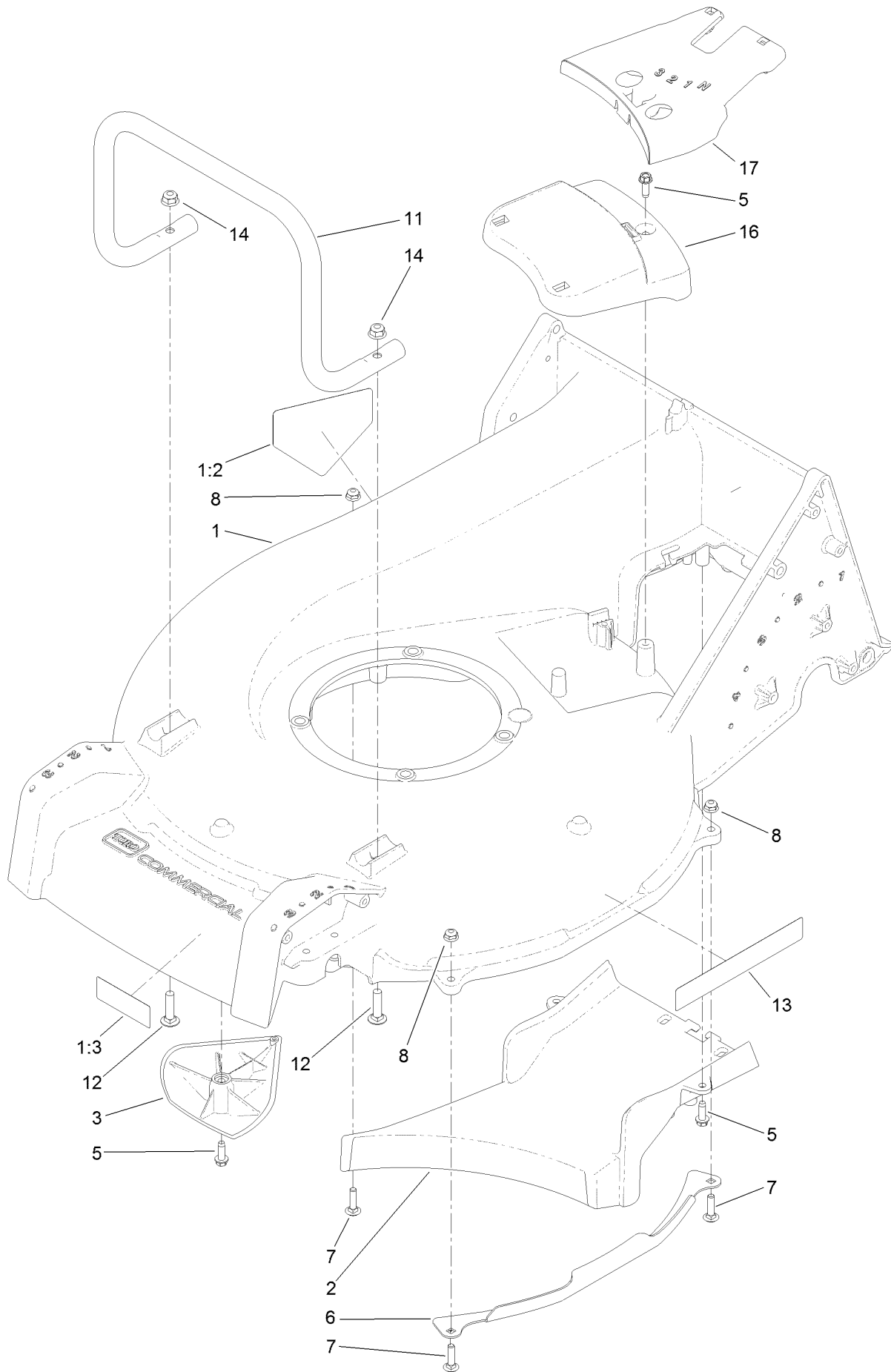
TAP: self tapping

TTH: torx truss head

Contents

Housing Assembly	4
Grass Bag Assembly	6
Engine Assembly	8
Fuel Tank Assembly	10
Height-of-Cut and Wheel Assembly	12
Transmission Assembly	14
Transmission Assembly No. 125-1090	16
Handle Assembly	18
Attachments and Accessories	20

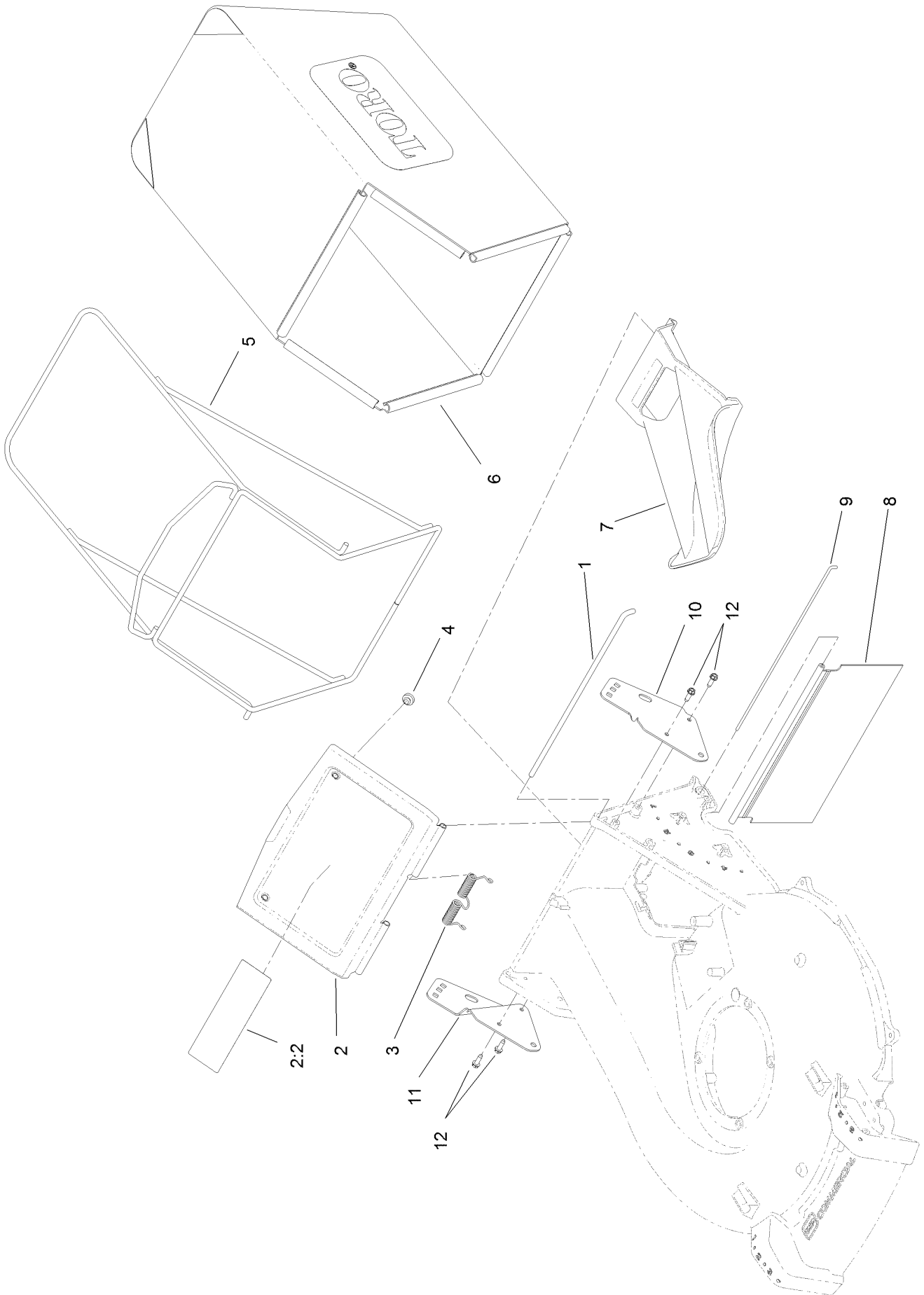
Housing Assembly



Housing Assembly (continued)

<i>Ref.</i>	<i>Part Number</i>	<i>Qty.</i>	<i>Description</i>	<i>Ref.</i>	<i>Part Number</i>	<i>Qty.</i>	<i>Description</i>
1	125-8400	1	Housing ASM	8	104-7201	4	Nut-HF
1:2	94-8072	1	Decal-Danger	11	125-1003-03	1	Guard-Engine
1:3	68-7410	1	Decal-Blade	12	3230-3	2	Screw-CARR
2	125-1002-01	1	Floor-Chute	13	119-2368	2	Decal-Recycler
3	125-5041	2	Kicker	14	104-8300	2	Nut-Flange, NI
5	49-2040	5	Screw-HWHTF	16	125-5038	1	Cover-Belt, Front
6	125-1047-03	2	Guard-Side, Deck	17	125-5039	1	Cover-Belt, Rear
7	3229-2	4	Screw-CARR				

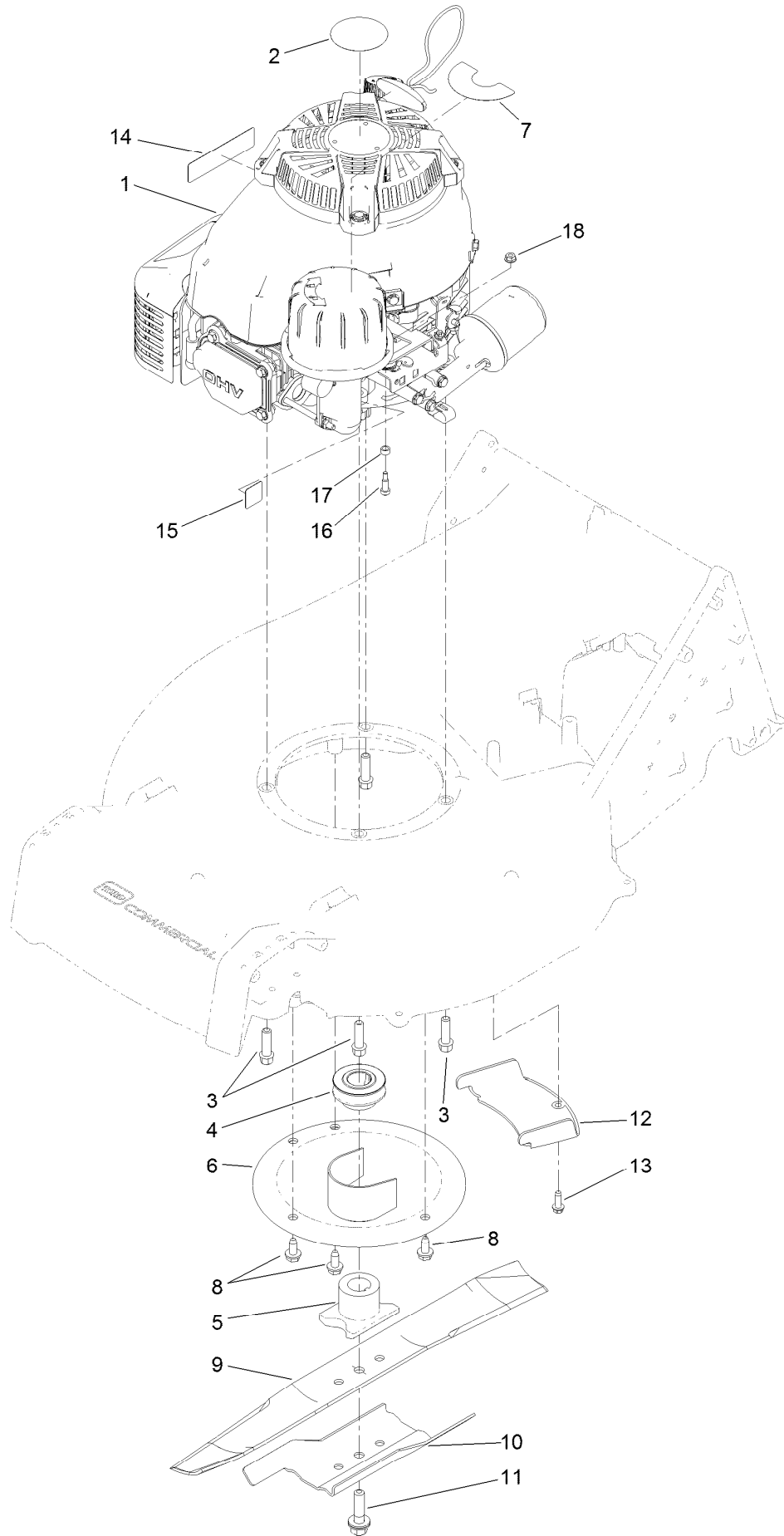
Grass Bag Assembly



Grass Bag Assembly (continued)

<i>Ref.</i>	<i>Part Number</i>	<i>Qty.</i>	<i>Description</i>	<i>Ref.</i>	<i>Part Number</i>	<i>Qty.</i>	<i>Description</i>
1	125-1017	1	Rod-Door, Bag	7	125-1008	1	Plug-Mulch
2	125-8402	1	Bag Door ASM	8	125-1007	1	Shield-Trailing
2:2	116-7583	1	Decal-Warning	9	125-8413	1	Rod-Shield, Trailing
3	125-1019	1	Spring-Torsion	10	125-1013-03	1	Bracket-Mount, LH Handle
4	1-513658	2	Bumper	11	125-1014-03	1	Bracket-Mount, RH Handle
5	121-1399-03	1	Frame-Bag	12	49-2040	4	Screw-HWHTF
6	125-1030	1	Bag-Grass				

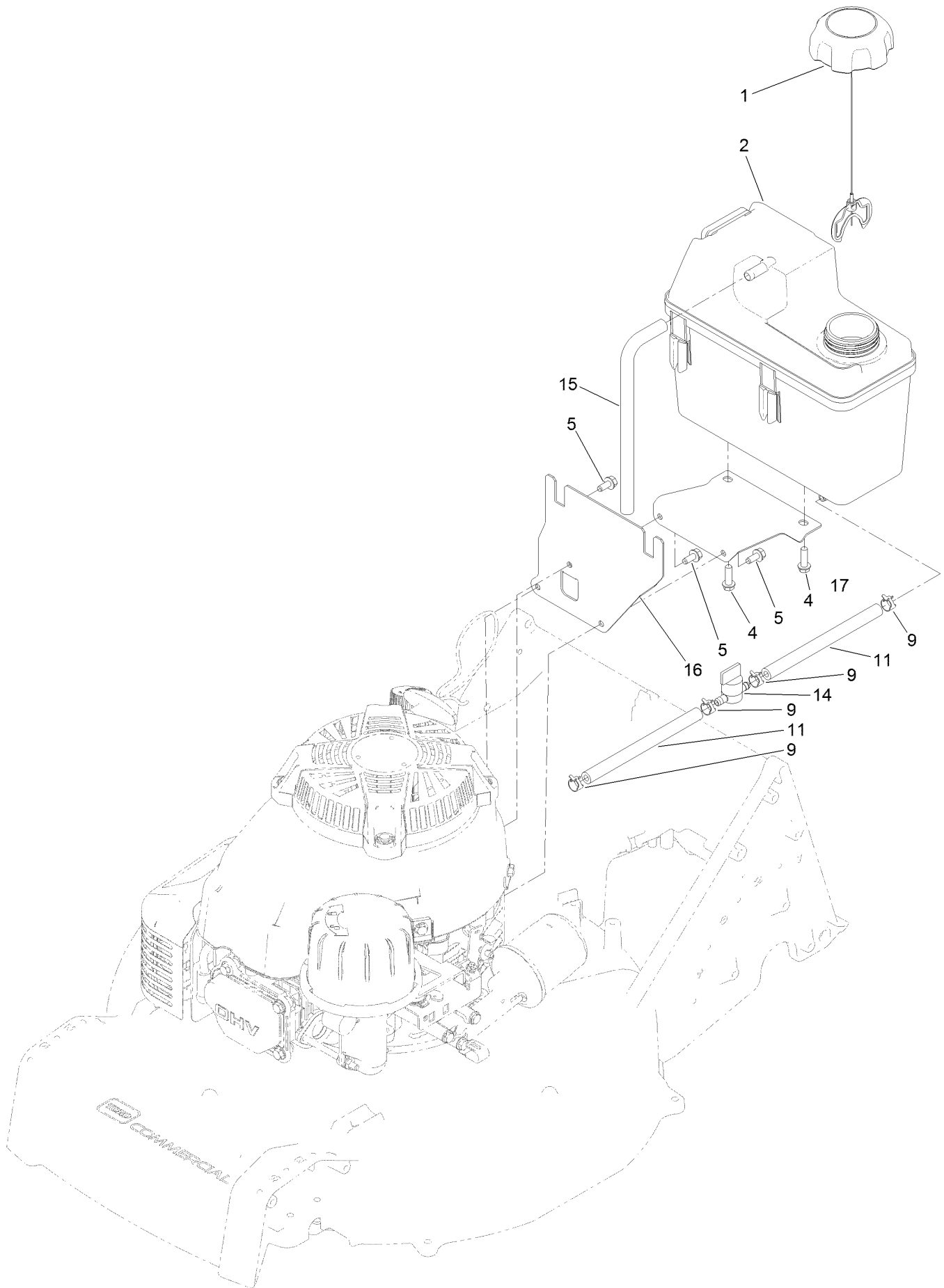
Engine Assembly



Engine Assembly (continued)

<i>Ref.</i>	<i>Part Number</i>	<i>Qty.</i>	<i>Description</i>	<i>Ref.</i>	<i>Part Number</i>	<i>Qty.</i>	<i>Description</i>
1	121-1406	1	Engine-Kawasaki, Fj180V	10	125-1069-03	1	Accelerator-Blade
2	110-0520	1	Decal	11	125-2466	1	Bolt-Blade
3	95-1727	4	Screw-Taptite	12	125-1024	1	Cover-Belt
4	125-8396	1	Pulley-Driver	13	49-2040	1	Screw-HWHTF
5	125-1004	1	Driver-Blade	14	117-2718	1	Decal-Arrester, Spark
6	125-8370	1	Protector-Crankshaft	15	125-8403	1	Decal-Primer
7	114-3415	1	Decal	16	125-8434	1	Screw-Shoulder
8	32144-70	3	Screw-HWHTF	17	120-6564	1	Spacer
9	108-3762-03	1	Blade-Recycling	18	32128-17	1	Nut-Lock, Flange

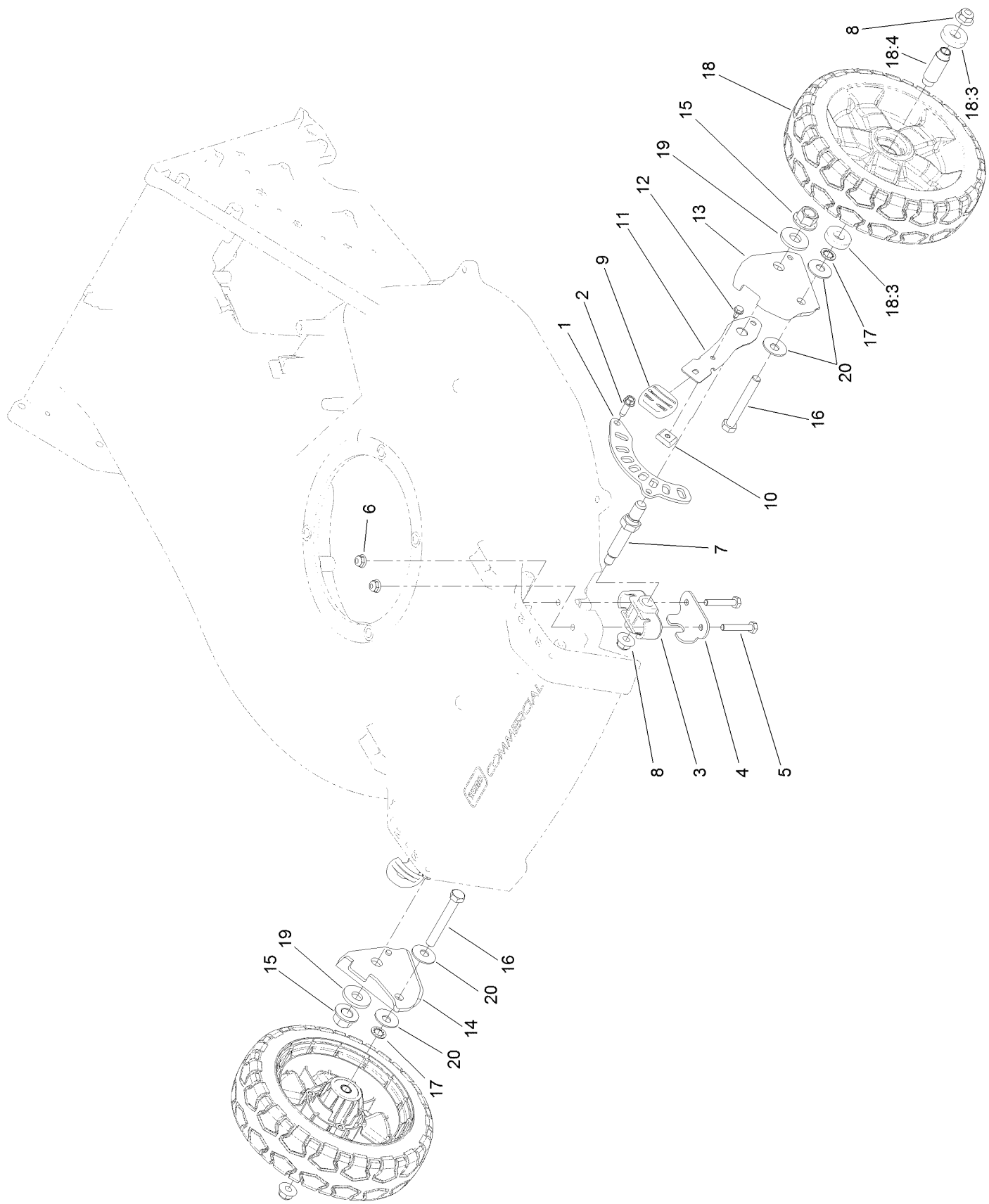
Fuel Tank Assembly



Fuel Tank Assembly (continued)

<i>Ref.</i>	<i>Part Number</i>	<i>Qty.</i>	<i>Description</i>	<i>Ref.</i>	<i>Part Number</i>	<i>Qty.</i>	<i>Description</i>
1	109-6776	1	Cap-Ratchet, Tethered	11	107-0588	2	Hose-Fuel
2	114-0280	1	Tank-Fuel	14	1-603770	1	Valve-Fuel
4	46-8091	2	Screw-HWH	15	115-0962	1	Hose-Vent, Canister
5	125-8383	3	Screw-HWH	16	125-8381-03	1	Bracket-Tank, Mounting
9	2412-98	4	Clamp-Hose	17	125-8382-03	1	Bracket-Tank, Support

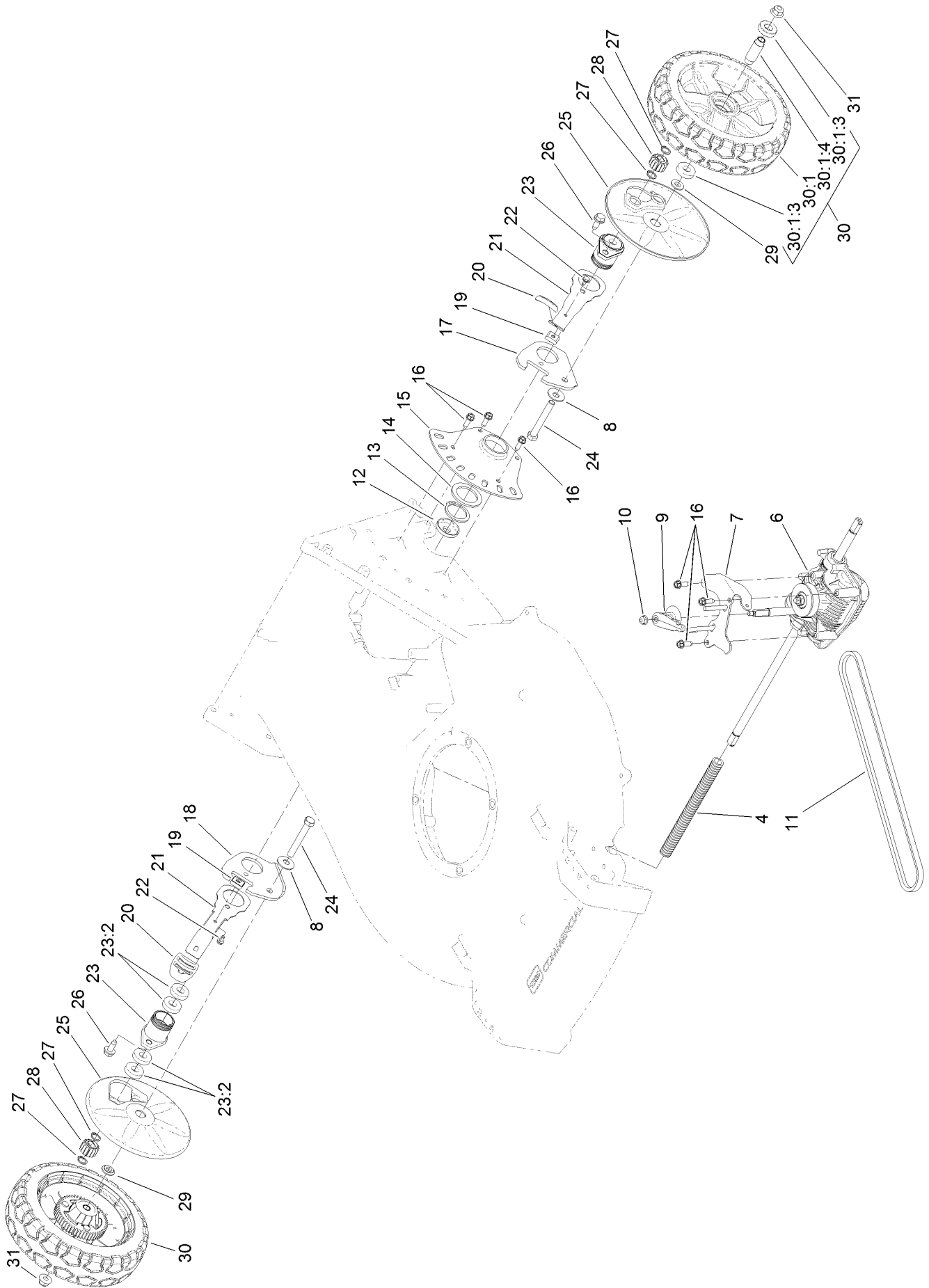
Height-of-Cut and Wheel Assembly



Height-of-Cut and Wheel Assembly (continued)

<i>Ref.</i>	<i>Part Number</i>	<i>Qty.</i>	<i>Description</i>	<i>Ref.</i>	<i>Part Number</i>	<i>Qty.</i>	<i>Description</i>
1	121-1439	2	Plate-HOC, Front	12	104-2065	2	Screw-HWH
2	49-2040	4	Screw-HWHTF	13	121-1425	1	Arm-Pivot, Front LH
3	121-1427	2	Bushing-Axle, Front HOC	14	121-1426	1	Arm-Pivot, Front RH
4	121-1442	2	Retainer-Bushing, Front Axle	15	99-5107	2	Nut-Lock
5	321-9	4	Screw-HH	16	323-13	2	Screw-HH
6	104-7201	4	Nut-HF	17	3254-6	2	Washer-Lock, Internal
7	121-1428	2	Axle-Wheel	18	125-1080	2	Wheel
8	104-8301	4	Nut-Flange, NI	18:3	52-2450	2	Bearing-Wheel
9	125-1093	2	Knob-Lever, HOC	18:4	125-1077	1	Spacer
10	121-1432	2	Key-Arm, Spring	19	1-513435	2	Washer-Spring
11	121-1431	2	Arm-Spring	20	3290-461	4	Washer-Spring

Transmission Assembly

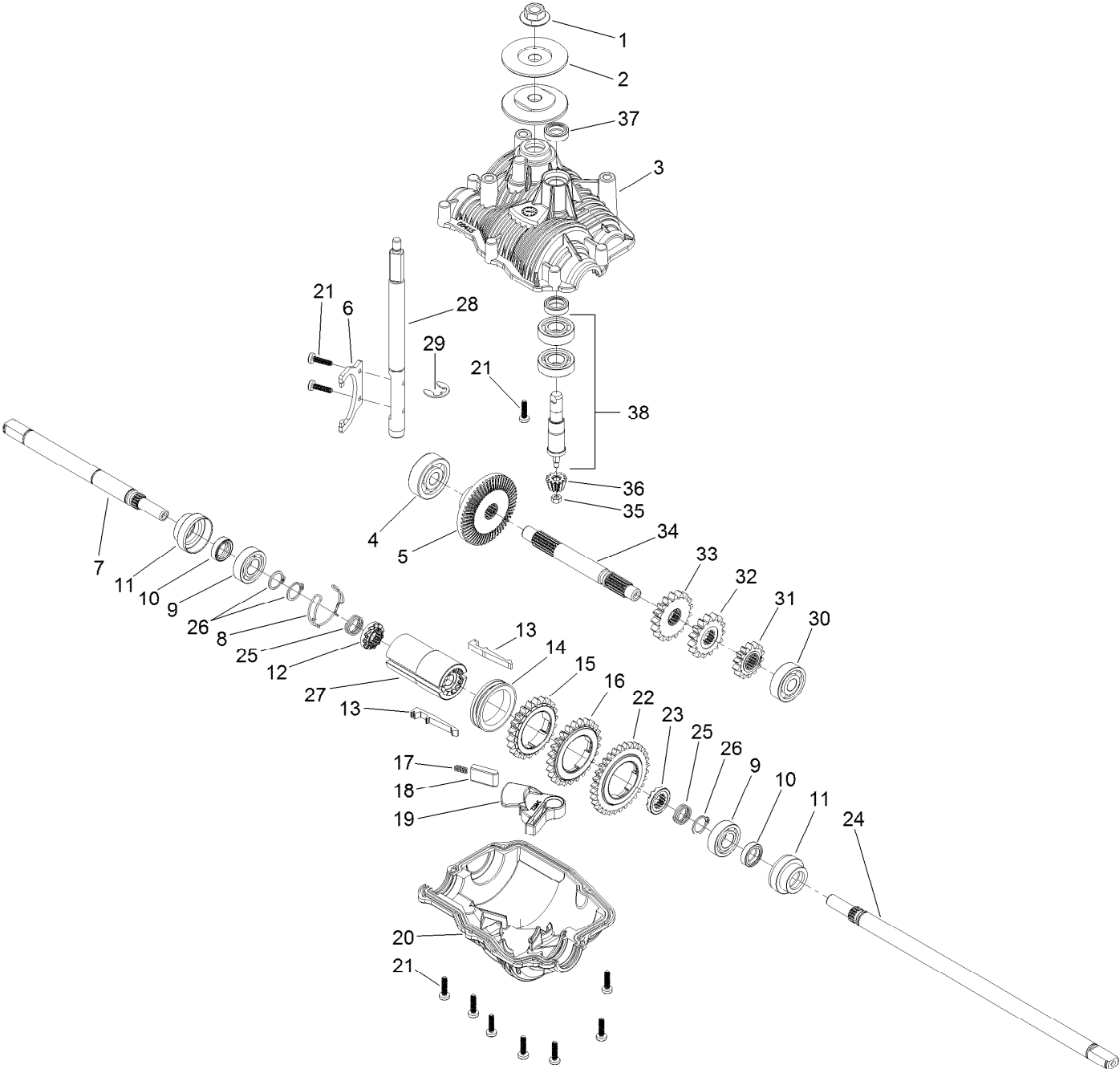


Transmission Assembly (continued)

<i>Ref.</i>	<i>Part Number</i>	<i>Qty.</i>	<i>Description</i>	<i>Ref.</i>	<i>Part Number</i>	<i>Qty.</i>	<i>Description</i>
4	117-5260	1	Cover-Shaft, Drive	21	121-1448	2	Arm-Spring, Rear
6	125-1090	1	Transmission	22	104-2065	2	Screw-HWH
7	125-5090-03	1	Guide-Belt	23	121-1424	2	Retainer ASM
8	3290-461	2	Washer-Spring	23:2	52-2450	4	Bearing-Wheel
9	125-5040	1	Lever-Shift	24	323-13	2	Screw-HH
10	104-7201	1	Nut-HF	25	125-1082	2	Cover-Wheel
11	125-1011	1	Belt-V	26	32144-70	2	Screw-HWHTF
12	127-6848	2	Cover-Bearing	27	32151-61	4	Ring-Retaining
13	32151-10	2	Ring-Retaining	28	110-9417	2	Gear-Pinion, 15T
14	98-1452	2	Washer-Thrust	29	74-1671	2	Spacer-Cover, Wheel
15	121-1447	2	Plate-HOC, Rear	30	125-1081	2	Wheel ASM
16	49-2040	9	Screw-HWHTF	30:1		1	Wheel ●
17	121-1445	1	Arm-Pivot, Rear LH	30:1:3	52-2450	2	Bearing-Wheel
18	121-1446	1	Arm-Pivot, Rear RH	30:1:4	125-1077	1	Spacer
19	121-1432	2	Key-Arm, Spring	31	104-8301	2	Nut-Flange, NI
20	125-1093	2	Knob-Lever, HOC				

● Not serviced separately

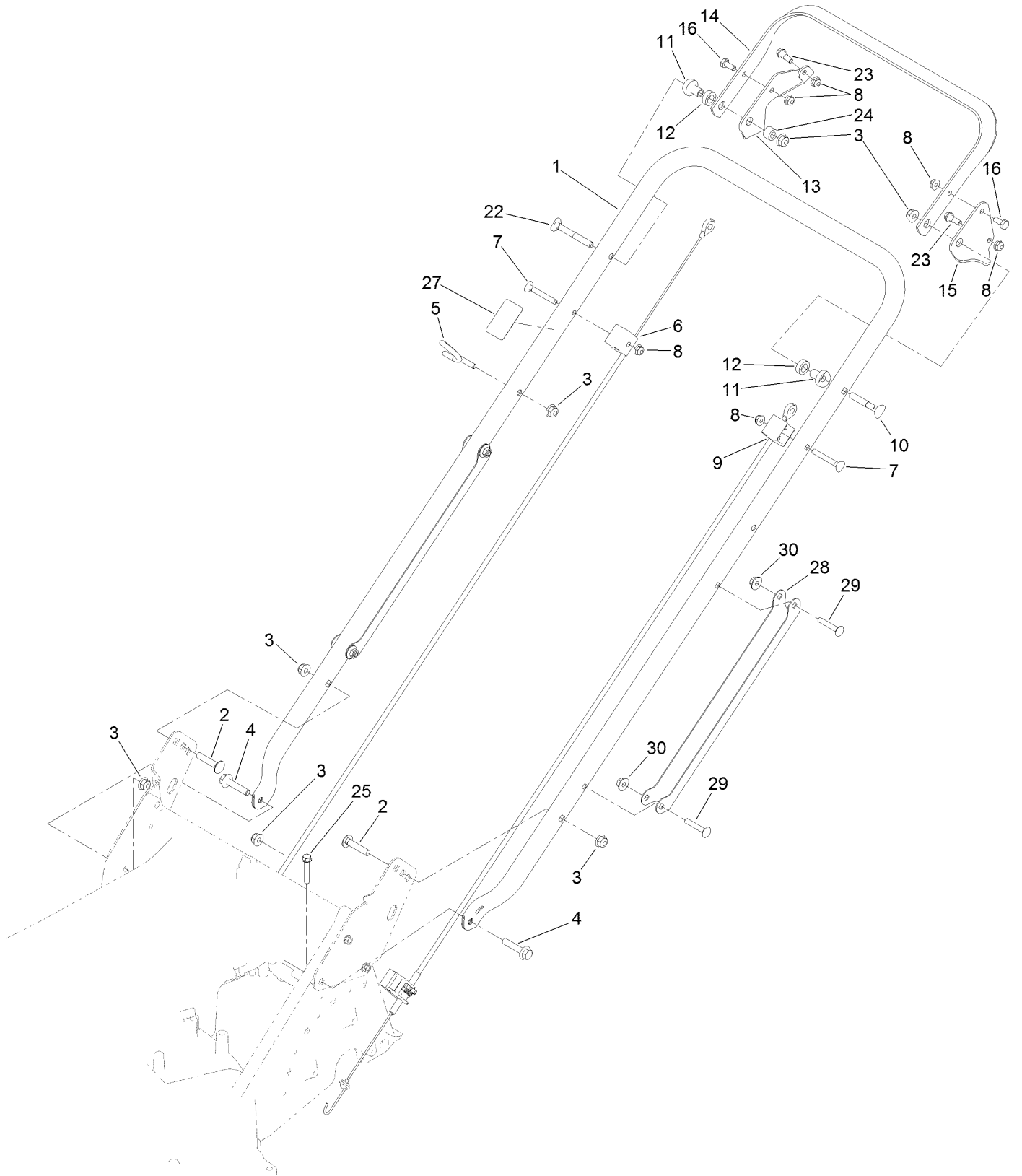
Transmission Assembly No. 125-1090



Transmission Assembly No. 125-1090 (continued)

<i>Ref.</i>	<i>Part Number</i>	<i>Qty.</i>	<i>Description</i>	<i>Ref.</i>	<i>Part Number</i>	<i>Qty.</i>	<i>Description</i>
1	130-2301	1	Nut-Flange	20	130-2337	1	Case-Lower, Transmission
2	130-2326	2	Flange-Pulley	21	130-2302	10	Screw
3	130-2336	1	Case-Upper, Transmission	22	130-2317	1	Gear-Output, 32 Tooth
4	130-2318	1	Bearing-Ball	23	130-2335	1	Clutch-Dog, RH
5	130-2311	1	Gear-Bevel, 53 Tooth	24	130-2309	1	Shaft-Output, Long
6	130-2327	1	Fork-Shift	25	130-2323	2	Spring-Compression, Clutch
7	130-2308	1	Shaft-Output, Short	26	130-2305	3	Ring-Retaining
8	130-2322	1	Spring-Retaining	27	130-2330	1	Hub-Gear, Output
9	130-2320	2	Bearing-Ball	28	130-2306	1	Shaft-Shift
10	130-2325	2	Seal	29	130-2304	1	Ring-Retaining
11	130-2333	2	Bushing-Shaft, Output	30	130-2319	1	Bearing-Ball
12	130-2334	1	Clutch-Dog	31	130-2314	1	Gear-Intermediate, 14 Tooth
13	130-2328	2	Key-Shift	32	130-2313	1	Gear-Intermediate, 15 Tooth
14	130-2329	1	Ring-Shift	33	130-2312	1	Gear-Intermediate, 17 Tooth
15	130-2315	1	Gear-Output, 22 Tooth	34	130-2307	1	Shaft-Intermediate
16	130-2316	1	Gear-Output, 25 Tooth	35	130-2303	1	Nut-Shaft, Input
17	130-2321	1	Spring-Indexing, Shifter	36	130-2310	1	Gear-Bevel, 12 Tooth
18	130-2332	1	Pin-Indexing, Shifter	37	130-2324	2	Seal
19	130-2331	1	Lever-Indexing, Shifter	38	130-2300	1	Shaft, Input

Handle Assembly



Handle Assembly (continued)

<i>Ref.</i>	<i>Part Number</i>	<i>Qty.</i>	<i>Description</i>	<i>Ref.</i>	<i>Part Number</i>	<i>Qty.</i>	<i>Description</i>
1	125-1016-03	1	Handle	13	125-8398-03	1	Bracket-Control, Brake
2	3230-4	2	Screw-CARR	14	125-8355-03	1	Bar-Control, Zone Start
3	104-8300	7	Nut-Flange, NI	15	125-1068-03	1	Lever-Control, Traction
4	115-1794	2	Screw-HHF	16	321-3	2	Screw-HH
5	116-1056	1	Guide,Rope	22	125-8408	1	Screw-Handle
6	125-8365	1	Cable-Brake, Kawasaki	23	42-3560	2	Bolt-Shoulder
7	95-4453	2	Screw	24	98-4695	1	Spacer
8	104-7201	4	Nut-HF	25	94-2691	1	Screw-HWH
9	125-8366	1	Cable-Traction	27	125-8404	1	Decal-Primer
10	17-9428	1	Handle Screw	28	127-6897-03	2	Guard-Cable, Handle
11	49-1630	2	Spacer-Support	29	108-0988	4	Screw-CARR
12	256-276	2	Spacer-Nylon	30	114-3778	4	Nut-Lock, NI

Attachments and Accessories

For 22297 21in Heavy-Duty Recycler/Rear Bagger Lawn Mower

Product Name	Model/Part
Blade-21in	108-0954-03
Blade-Bagging, 21in	125-1072-03
Cup-Anti Scalp.....	125-8440

Notes:

Notes:

Notes:



Count on it.