



Count on it.

Parts Catalog

**53cm Heavy-Duty Recycler®/Rear
Bagger**

Lawn Mower

Model No. 22291—Serial No. 314000001 and Up



Ordering Replacement Parts

To order replacement parts, please supply the part number, the quantity, and the description of each part desired.

Understanding Reference Numbers

Each identified part in an illustration has a reference number. The reference number for a part also appears in the parts list, along with other information about the part.

This catalog uses two special reference number formats, one to indicate parts in a service assembly and another to indicate the quantity of a given part in an illustration.

Service Assembly Reference Numbers

Parts in service assemblies have reference numbers in the form a:b. The a represents the reference number of the entire service assembly and the b represents a sequential number unique to each part within the service assembly.

For example, a wheel assembly might be identified by reference number 6, the tire by 6:1, the valve by 6:2, and the wheel by 6:3. When you order the assembly identified by reference number 6, you receive all parts identified by reference numbers 6:1, 6:2, and 6:3. However, you may also order any part individually. Reference numbers of this type appear in illustration and in parts lists.

Reference Numbers Indicating Quantity

In an illustration, if a reference number indicates more than one part, the reference number has the form nX y. The n represents the quantity of the part, the X is the multiplication symbol, and the y represents the reference number.

For example, in an illustration, the reference number 2X 37 means that two of the parts identified by reference number 37 are indicated.

List of Abbreviations

AR: as required

ASM: assembly

BBC: blade brake control

BHTF: button head thread forming

CARR: carriage

CCW: counter clockwise

CW: clockwise

DEG: degrees

DPA: Dual Point Adjustment

ECM: electronic control module

EXT: external

FH: flat head

GA: gauge

HD: heavy-duty

HF: hex flange

HH: hex head

HHF: hex head flange

HHFTF: hex head flange thread forming

HJ: hex jam

HLH: hex lag head

HOC: height-of-cut

HSBH: hex socket button head

HSFH: hex socket flat head

HSH: hex socket head

HWH: hex washer head

HWHTF: hex washer head thread forming

HYD: hydraulic

LH: left hand

LP: Liquefied Petroleum Gas

LPG: Liquefied Petroleum Gas

NI: nylon insert

NPTF: national pipe thread fine

PFH: phillips flat head

PPH: phillips pan head

PPHTF: phillips pan head thread forming

PRH: phillips round head

PTH: phillips truss head

PTO: power-take-off

RH: right hand

ROPS: roll-over protection system

RRB: rear roller brush

SFH: slotted fillister head

SHH: slotted hex head

SHWH: slotted hex washer head

SPH: slotted pan head

SQH: square head

SRH: slotted round head

STD: standard

TAP: self tapping

TTH: torx truss head

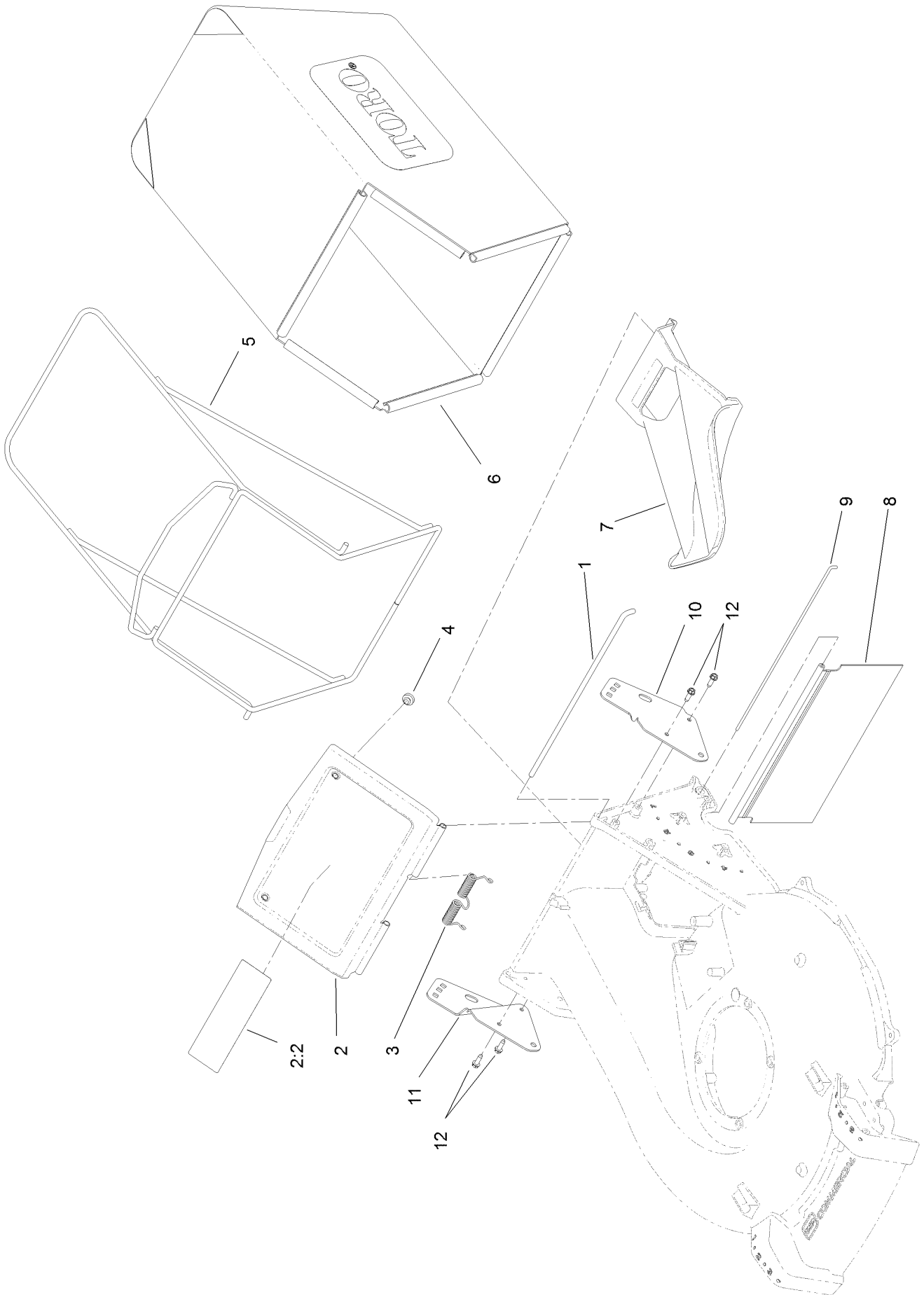
Contents

Housing Assembly	4
Grass Bag Assembly	6
Engine Assembly	8
Height-of-Cut and Wheel Assembly	10
Transmission Assembly	12
Handle Assembly	14
Attachments and Accessories	16

Housing Assembly (continued)

<i>Ref.</i>	<i>Part Number</i>	<i>Qty.</i>	<i>Description</i>	<i>Ref.</i>	<i>Part Number</i>	<i>Qty.</i>	<i>Description</i>
1	125-8401	1	Housing ASM	9	3234-7	2	Screw-HHF
1:2	112-8760	1	Decal-Danger	10	3296-29	2	Nut-Lock, NI
2	125-1002-01	1	Floor-Chute	13	119-2368	1	Decal-Recycler
3	125-5041	2	Kicker	16	125-5038	1	Cover-Belt, Front
4	125-8435-03	1	Guard-Toe, Front	17	125-8380	1	Cover-Belt, Rear
5	49-2040	7	Screw-HWHTF	18	106-8737	1	Nut-Retainer
7	3229-2	1	Screw-CARR	19	32144-86	1	Screw-HWHTF
8	104-7201	1	Nut-HF	27	125-8420	1	Decal

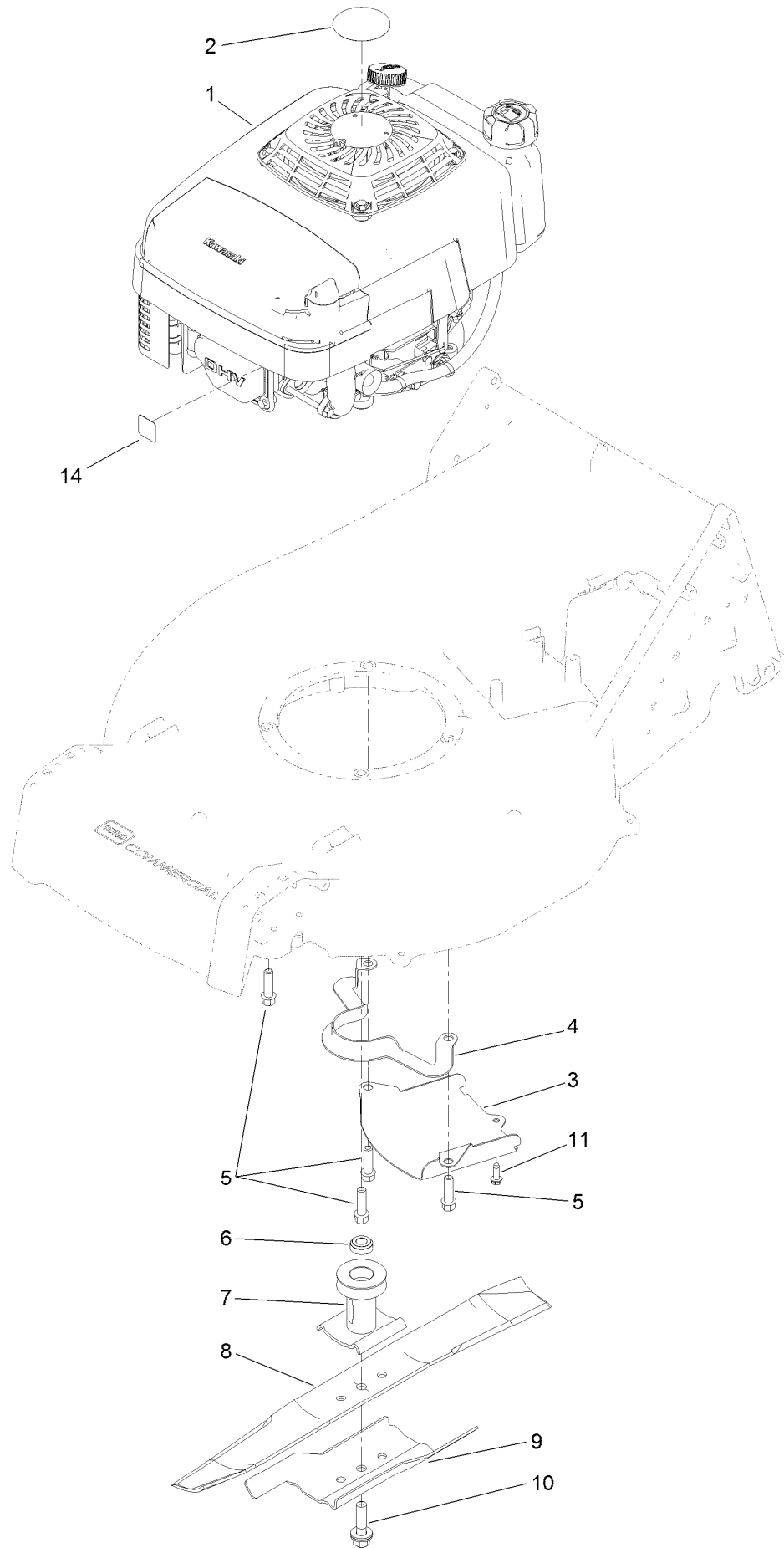
Grass Bag Assembly



Grass Bag Assembly (continued)

<i>Ref.</i>	<i>Part Number</i>	<i>Qty.</i>	<i>Description</i>	<i>Ref.</i>	<i>Part Number</i>	<i>Qty.</i>	<i>Description</i>
1	125-1017	1	Rod-Door, Bag	7	125-1008	1	Plug-Mulch
2	125-8402	1	Bag Door ASM	8	125-1007	1	Shield-Trailing
2:2	116-7583	1	Decal-Warning	9	125-8413	1	Rod-Shield, Trailing
3	125-1019	1	Spring-Torsion	10	125-1013-03	1	Bracket-Mount, LH Handle
4	1-513658	2	Bumper	11	125-1014-03	1	Bracket-Mount, RH Handle
5	121-1399-03	1	Frame-Bag	12	49-2040	4	Screw-HWHTF
6	125-1030	1	Bag-Grass				

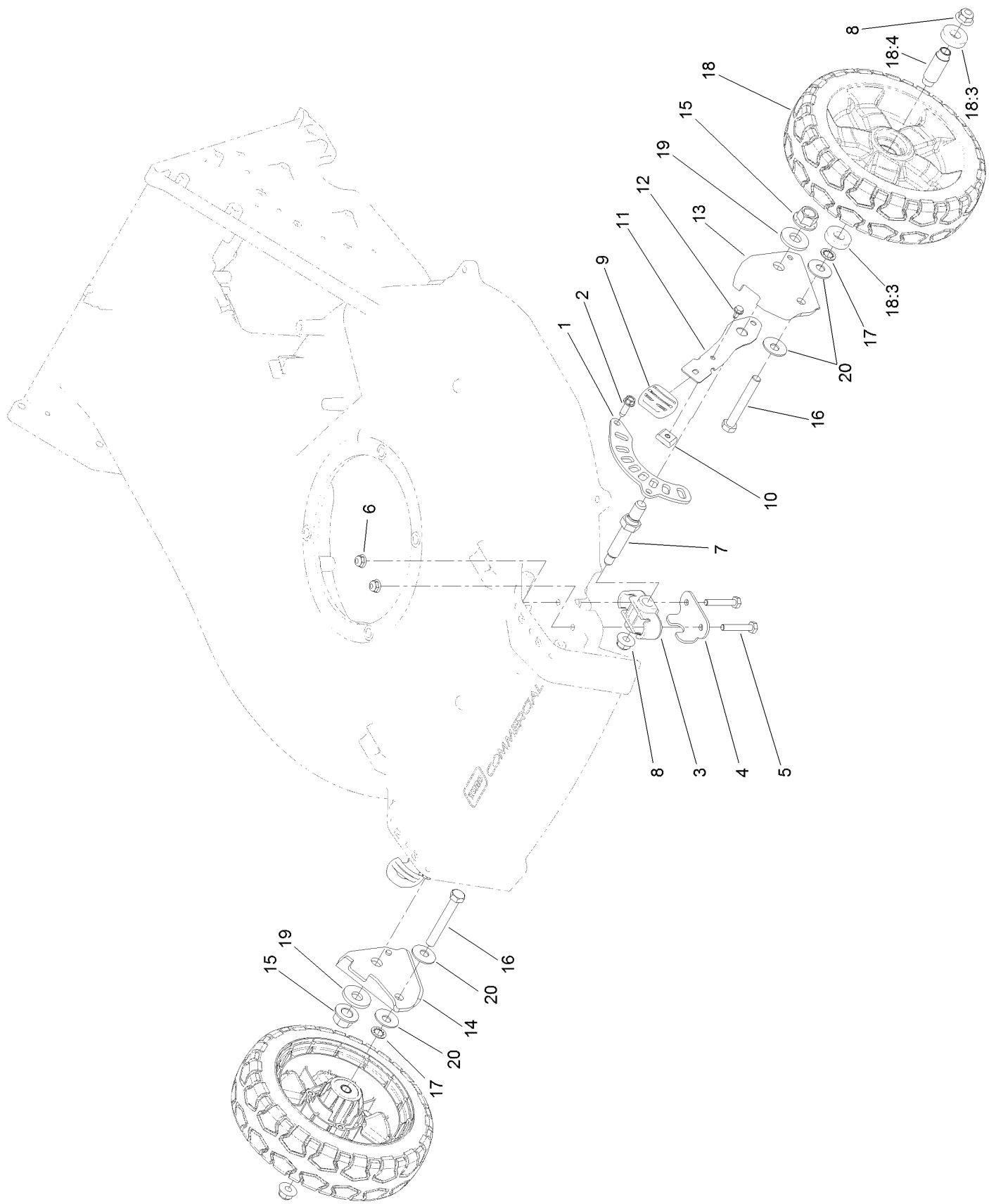
Engine Assembly



Engine Assembly (continued)

<i>Ref.</i>	<i>Part Number</i>	<i>Qty.</i>	<i>Description</i>	<i>Ref.</i>	<i>Part Number</i>	<i>Qty.</i>	<i>Description</i>
1	121-1412	1	Engine-Kawasaki, Fj180V	7	106-3987	1	Driver-Blade
2	110-0520	1	Decal	8	108-3762-03	1	Blade-Recycling
3	125-1005-03	1	Shield-Grass	9	125-1069-03	1	Accelerator-Blade
4	108-8110-03	1	Guide-Belt	10	125-2466	1	Bolt-Blade
5	95-1727	4	Screw-Taptite	11	49-2040	1	Screw-HWHTF
6	125-8431	1	Spacer-Driver, Blade	14	125-8403	1	Decal-Primer

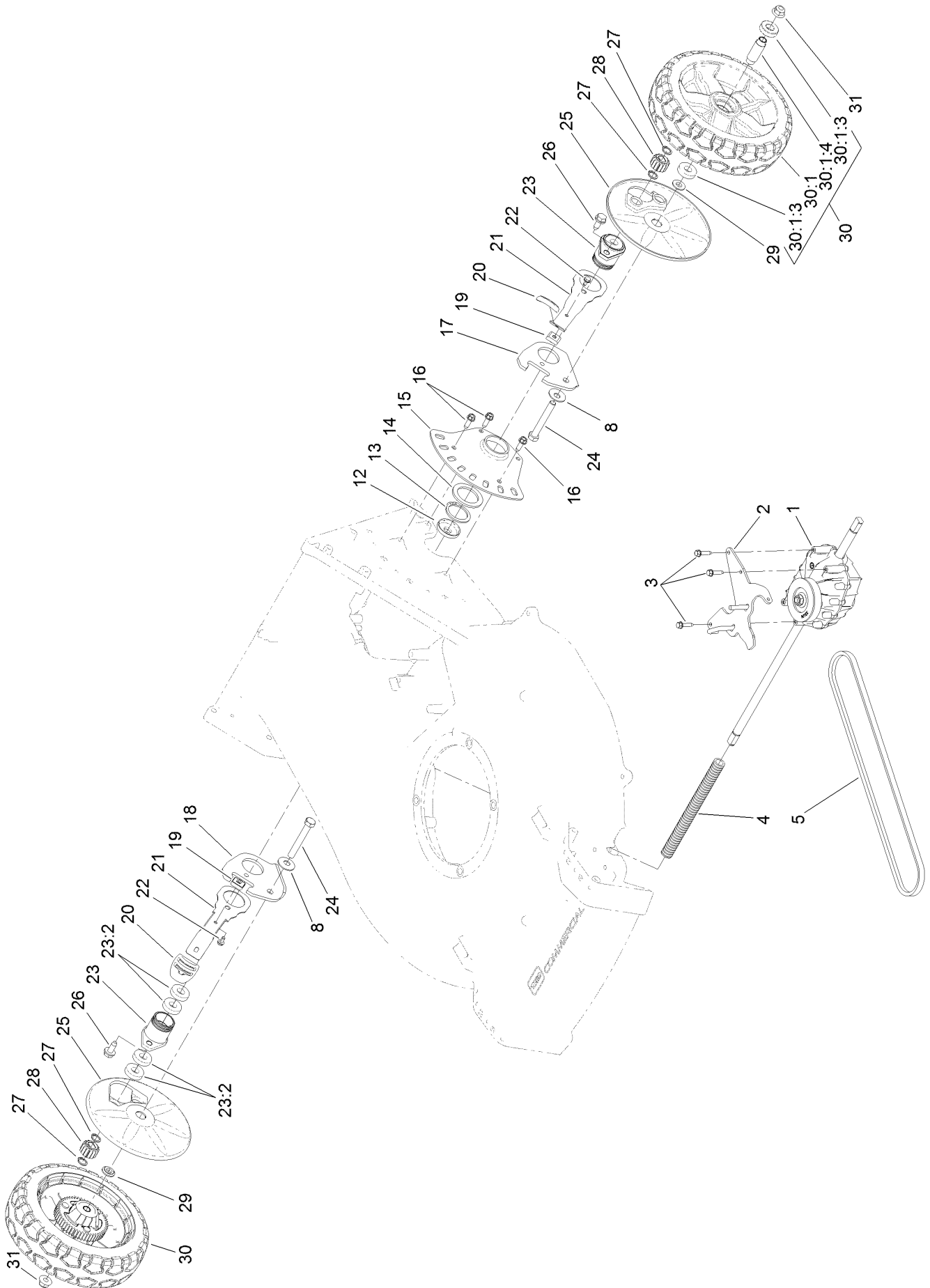
Height-of-Cut and Wheel Assembly



Height-of-Cut and Wheel Assembly (continued)

<i>Ref.</i>	<i>Part Number</i>	<i>Qty.</i>	<i>Description</i>	<i>Ref.</i>	<i>Part Number</i>	<i>Qty.</i>	<i>Description</i>
1	121-1439	2	Plate-HOC, Front	12	104-2065	2	Screw-HWH
2	49-2040	4	Screw-HWHTF	13	121-1425	1	Arm-Pivot, Front LH
3	121-1427	2	Bushing-Axle, Front HOC	14	121-1426	1	Arm-Pivot, Front RH
4	121-1442	2	Retainer-Bushing, Front Axle	15	99-5107	2	Nut-Lock
5	321-9	4	Screw-HH	16	323-13	2	Screw-HH
6	104-7201	4	Nut-HF	17	3254-6	2	Washer-Lock, Internal
7	121-1428	2	Axle-Wheel	18	125-1080	2	Wheel
8	104-8301	4	Nut-Flange, NI	18:3	52-2450	2	Bearing-Wheel
9	125-1093	2	Knob-Lever, HOC	18:4	125-1077	1	Spacer
10	121-1432	2	Key-Arm, Spring	19	1-513435	2	Washer-Spring
11	121-1431	2	Arm-Spring	20	3290-461	4	Washer-Spring

Transmission Assembly

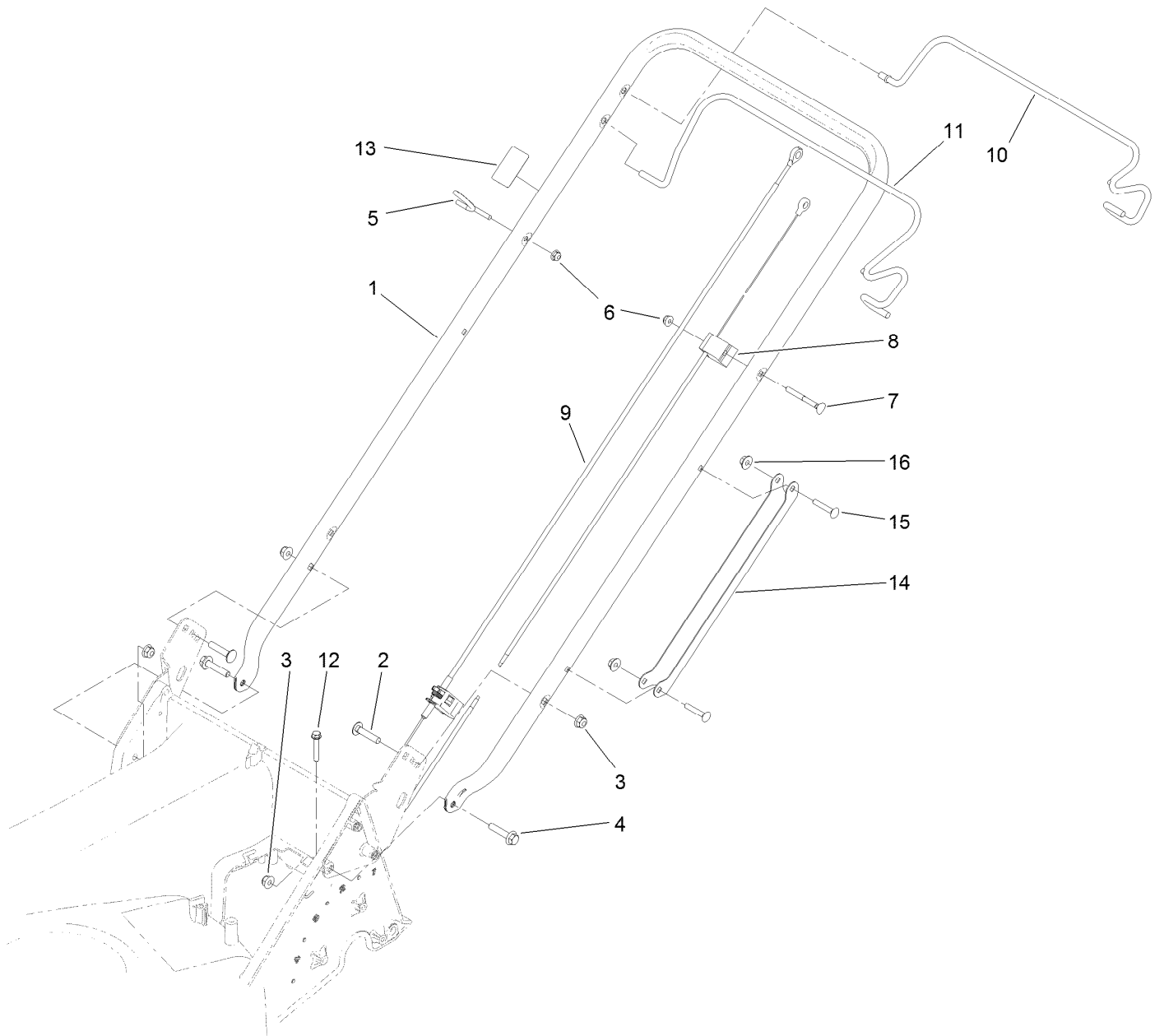


Transmission Assembly (continued)

<i>Ref.</i>	<i>Part Number</i>	<i>Qty.</i>	<i>Description</i>	<i>Ref.</i>	<i>Part Number</i>	<i>Qty.</i>	<i>Description</i>
1	125-1020	1	Transmission	21	121-1448	2	Arm-Spring, Rear
2	125-8430-03	1	Guide-Belt	22	104-2065	2	Screw-HWH
3	27-0220	3	Screw-Special	23	121-1424	2	Retainer ASM
4	117-5260	1	Cover-Shaft, Drive	23:2	52-2450	4	Bearing-Wheel
5	125-8395	1	Belt-V	24	323-13	2	Screw-HH
8	3290-461	2	Washer-Spring	25	125-1082	2	Cover-Wheel
12	127-6848	2	Cover-Bearing	26	32144-70	2	Screw-HWHTF
13	32151-10	2	Ring-Retaining	27	32151-61	4	Ring-Retaining
14	98-1452	2	Washer-Thrust	28	110-9417	2	Gear-Pinion, 15T
15	121-1447	2	Plate-HOC, Rear	29	74-1671	2	Spacer-Cover, Wheel
16	49-2040	6	Screw-HWHTF	30	125-1081	2	Wheel ASM
17	121-1445	1	Arm-Pivot, Rear LH	30:1		1	Wheel ●
18	121-1446	1	Arm-Pivot, Rear RH	30:1:3	52-2450	2	Bearing-Wheel
19	121-1432	2	Key-Arm, Spring	30:1:4	125-1077	1	Spacer
20	125-1093	2	Knob-Lever, HOC	31	104-8301	2	Nut-Flange, NI

● Not serviced separately

Handle Assembly



Handle Assembly (continued)

<i>Ref.</i>	<i>Part Number</i>	<i>Qty.</i>	<i>Description</i>	<i>Ref.</i>	<i>Part Number</i>	<i>Qty.</i>	<i>Description</i>
1	125-1015-03	1	Handle	9	125-8372	1	Cable-Traction
2	3230-4	2	Screw-CARR	10	125-8437-03	1	Bail-Traction
3	104-8300	4	Nut-Flange, NI	11	125-8436-03	1	Bail-Brake
4	115-1794	2	Screw-HHF	12	94-2691	1	Screw-HWH
5	114-2775	1	Guide-Rope	13	125-8404	1	Decal-Primer
6	104-7201	2	Nut-HF	14	127-6897-03	1	Guard-Cable, Handle
7	92-2270	1	Screw-Handle	15	108-0988	2	Screw-CARR
8	125-8371	1	Cable-Brake	16	114-3778	2	Nut-Lock, NI

Attachments and Accessories

For 22291 53cm Heavy-Duty Recycler/Rear Bagger Lawn Mower

Product Name

Model/Part

Cup-Anti Scalp..... 125-8440

Notes:

Notes:

Notes:



Count on it.