



**Count on it.**

**Parts Catalog**

**18in Turf Seeder**

Model No. 23511—Serial No. 313000001 and Up

Model No. 33511—Serial No. 313000001 and Up



# Ordering Replacement Parts

To order replacement parts, please supply the part number, the quantity, and the description of each part desired.

## Understanding Reference Numbers

Each identified part in an illustration has a reference number. The reference number for a part also appears in the parts list, along with other information about the part.

This catalog uses two special reference number formats, one to indicate parts in a service assembly and another to indicate the quantity of a given part in an illustration.

## Service Assembly Reference Numbers

Parts in service assemblies have reference numbers in the form a:b. The a represents the reference number of the entire service assembly and the b represents a sequential number unique to each part within the service assembly.

For example, a wheel assembly might be identified by reference number 6, the tire by 6:1, the valve by 6:2, and the wheel by 6:3. When you order the assembly identified by reference number 6, you receive all parts identified by reference numbers 6:1, 6:2, and 6:3. However, you may also order any part individually. Reference numbers of this type appear in illustration and in parts lists.

## Reference Numbers Indicating Quantity

In an illustration, if a reference number indicates more than one part, the reference number has the form nX y. The n represents the quantity of the part, the X is the multiplication symbol, and the y represents the reference number.

For example, in an illustration, the reference number 2X 37 means that two of the parts identified by reference number 37 are indicated.

# List of Abbreviations

**AR:** as required

**ASM:** assembly

**BBC:** blade brake control

**BHTF:** button head thread forming

**CARR:** carriage

**CCW:** counter clockwise

**CW:** clockwise

**DEG:** degrees

**DPA:** Dual Point Adjustment

**ECM:** electronic control module

**EXT:** external

**FH:** flat head

**GA:** gauge

**HD:** heavy-duty

**HF:** hex flange

**HH:** hex head

**HHF:** hex head flange

**HHFTF:** hex head flange thread forming

**HJ:** hex jam

**HLH:** hex lag head

**HOC:** height-of-cut

**HSBH:** hex socket button head

**HSFH:** hex socket flat head

**HSH:** hex socket head

**HWH:** hex washer head

**HWHTF:** hex washer head thread forming

**HYD:** hydraulic

**LH:** left hand

**LP:** Liquefied Petroleum Gas

**LPG:** Liquefied Petroleum Gas

**NI:** nylon insert

**NPTF:** national pipe thread fine

**PFH:** phillips flat head

**PPH:** phillips pan head

**PPHTF:** phillips pan head thread forming

**PRH:** phillips round head

**PTH:** phillips truss head

**PTO:** power-take-off

**RH:** right hand

**ROPS:** roll-over protection system

**RRB:** rear roller brush

**SFH:** slotted fillister head

**SHH:** slotted hex head

**SHWH:** slotted hex washer head

**SPH:** slotted pan head

**SQH:** square head

**SRH:** slotted round head

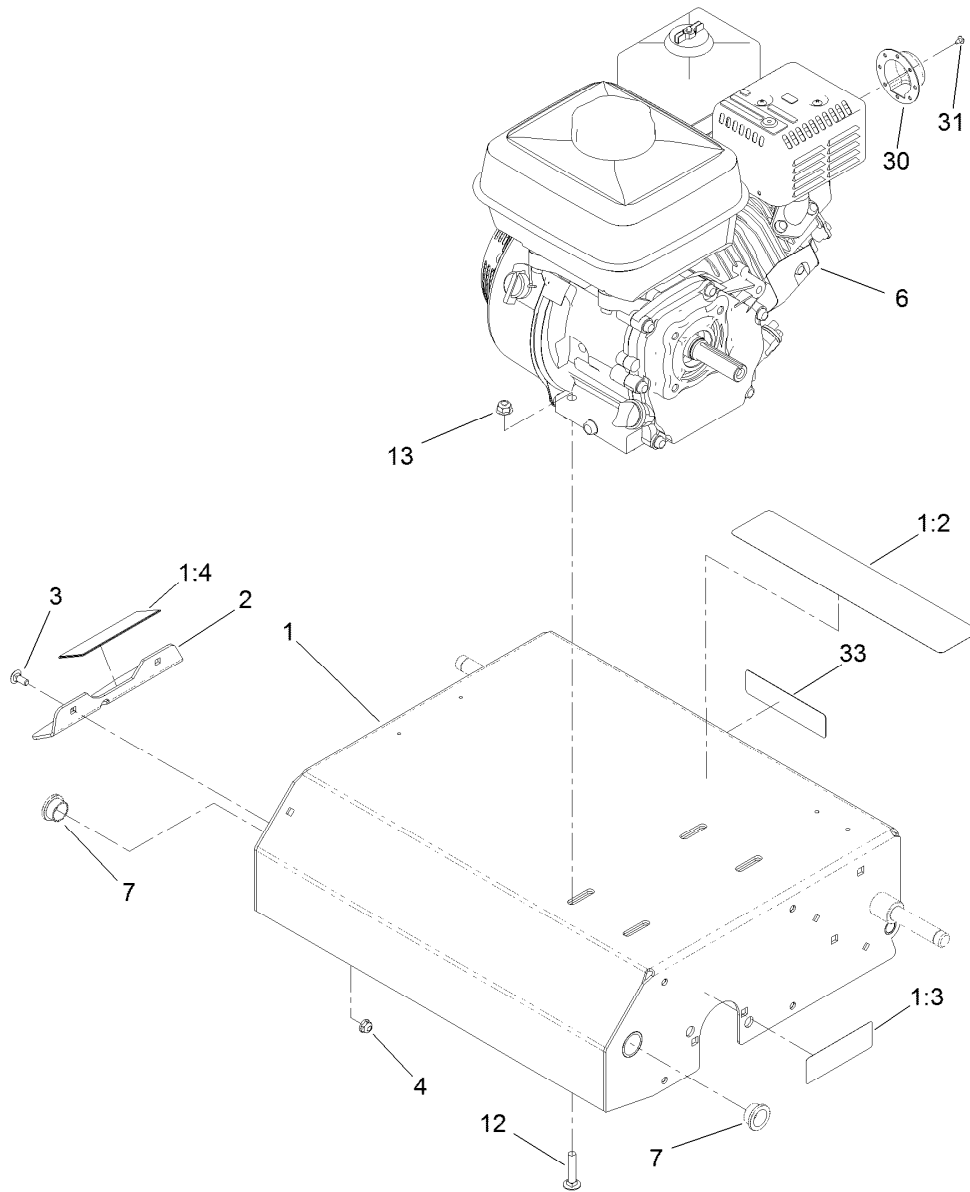
**STD:** standard

**TAP:** self tapping

**TTH:** torx truss head

# Contents

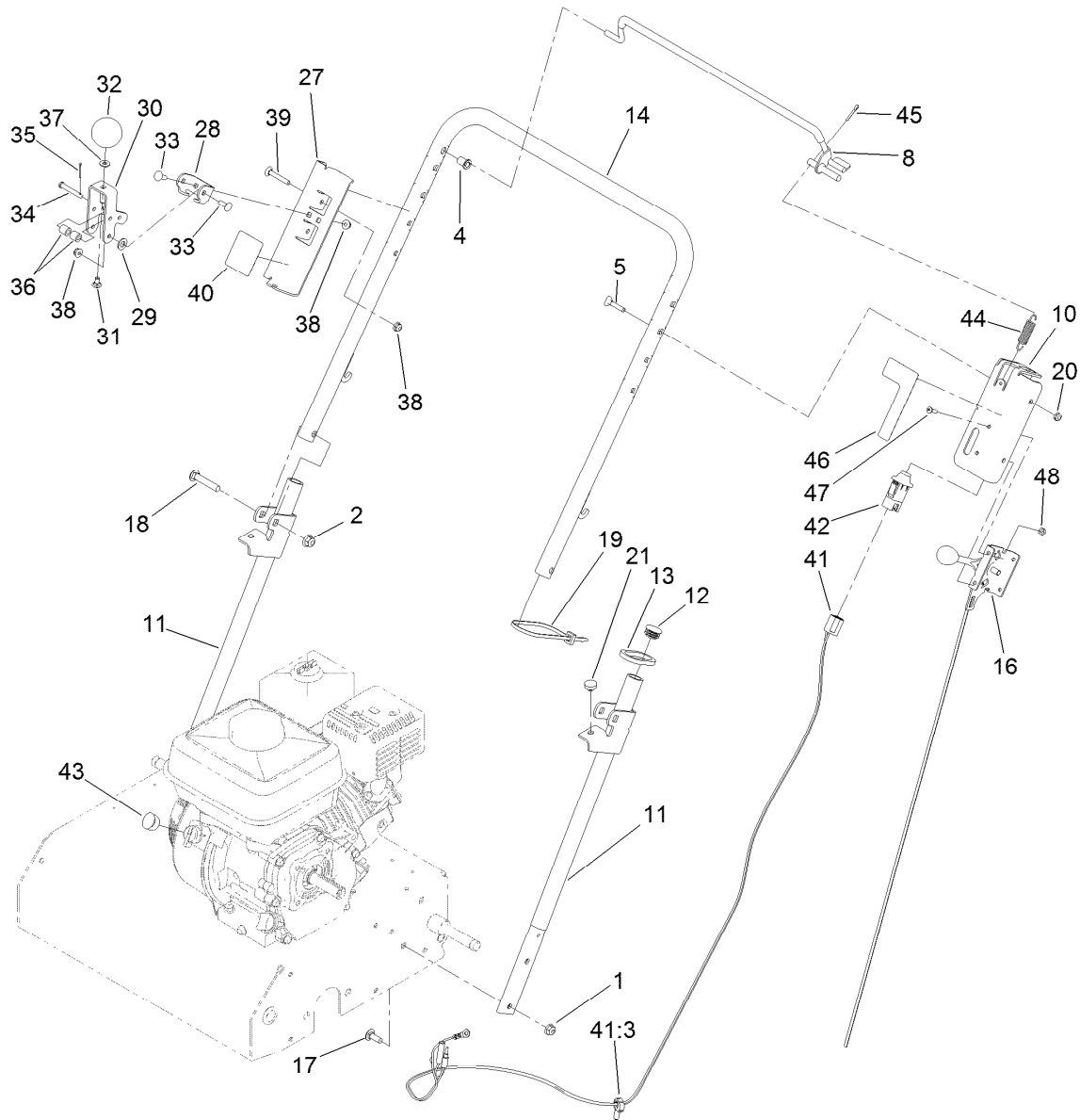
- Engine and Frame Assembly ..... 4
- Handle Assembly ..... 5
- Bearing Assembly ..... 6
- Wheel and Height Adjust Assembly ..... 7
- Belt Drive Assembly ..... 9



## Engine and Frame Assembly

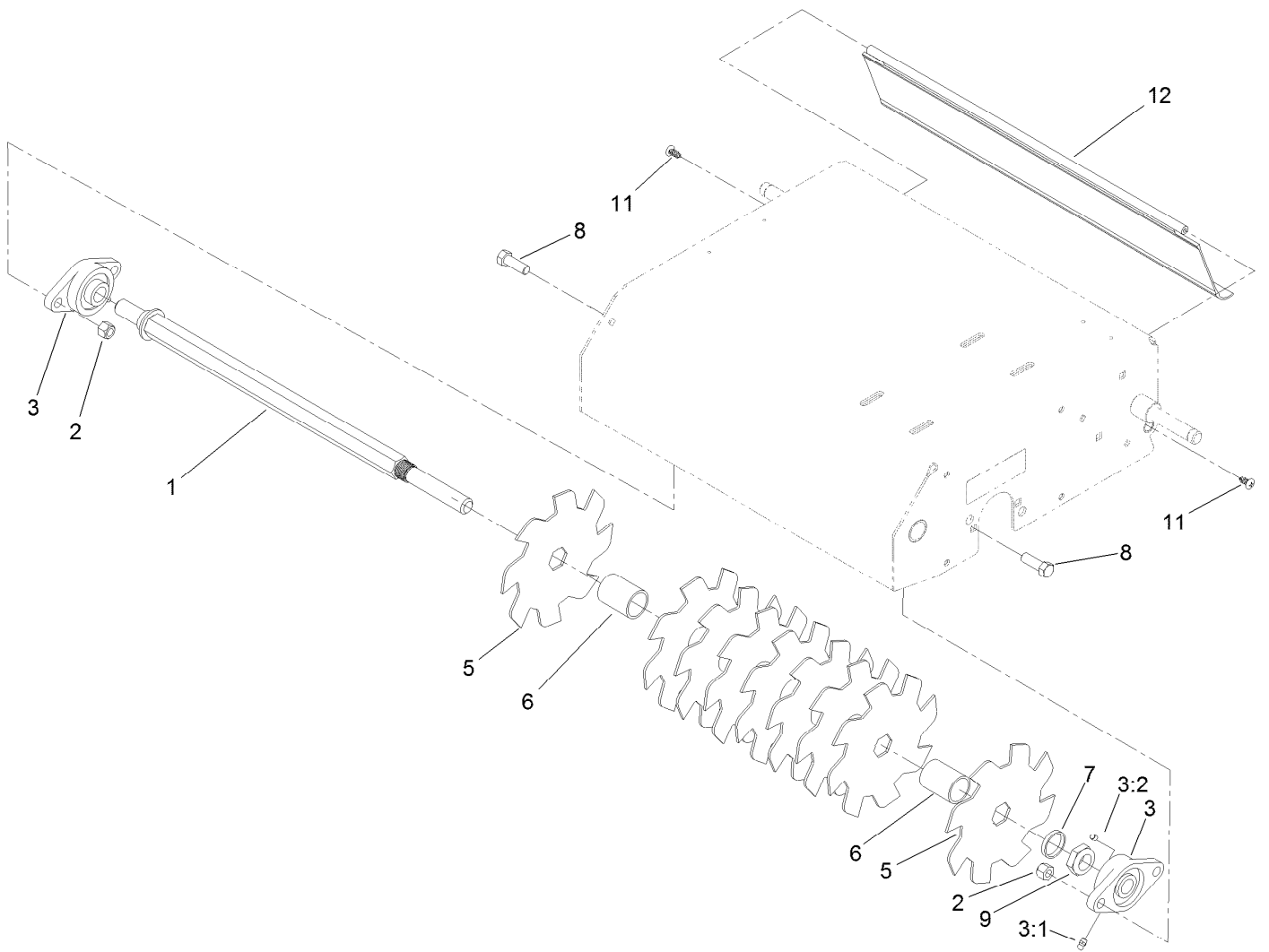
Ref.	Part Number	Qty.	Description
1	125-3825	1	Frame ASM
1:2	125-3809	1	Decal-Warning
1:3	117-4979	1	Decal-Warning, Shields
1:4	93-7321	1	Decal-Danger
2	121-1853-01	1	Guard-Hand
3	3229-11	2	Screw-CARR
4	104-7201	2	Nut-HF
6		1	Engine-Honda, Gx160Ut1Qxz ●
7	121-1876	2	Bushing
12	3230-4	4	Screw-CARR
13	104-8300	4	Nut-Flange, NI
30	125-3866	1	Deflector
31	120-1884	2	Screw-PPHTF
33	117-2718	1	Decal-Arrester, Spark

● Not serviced separately



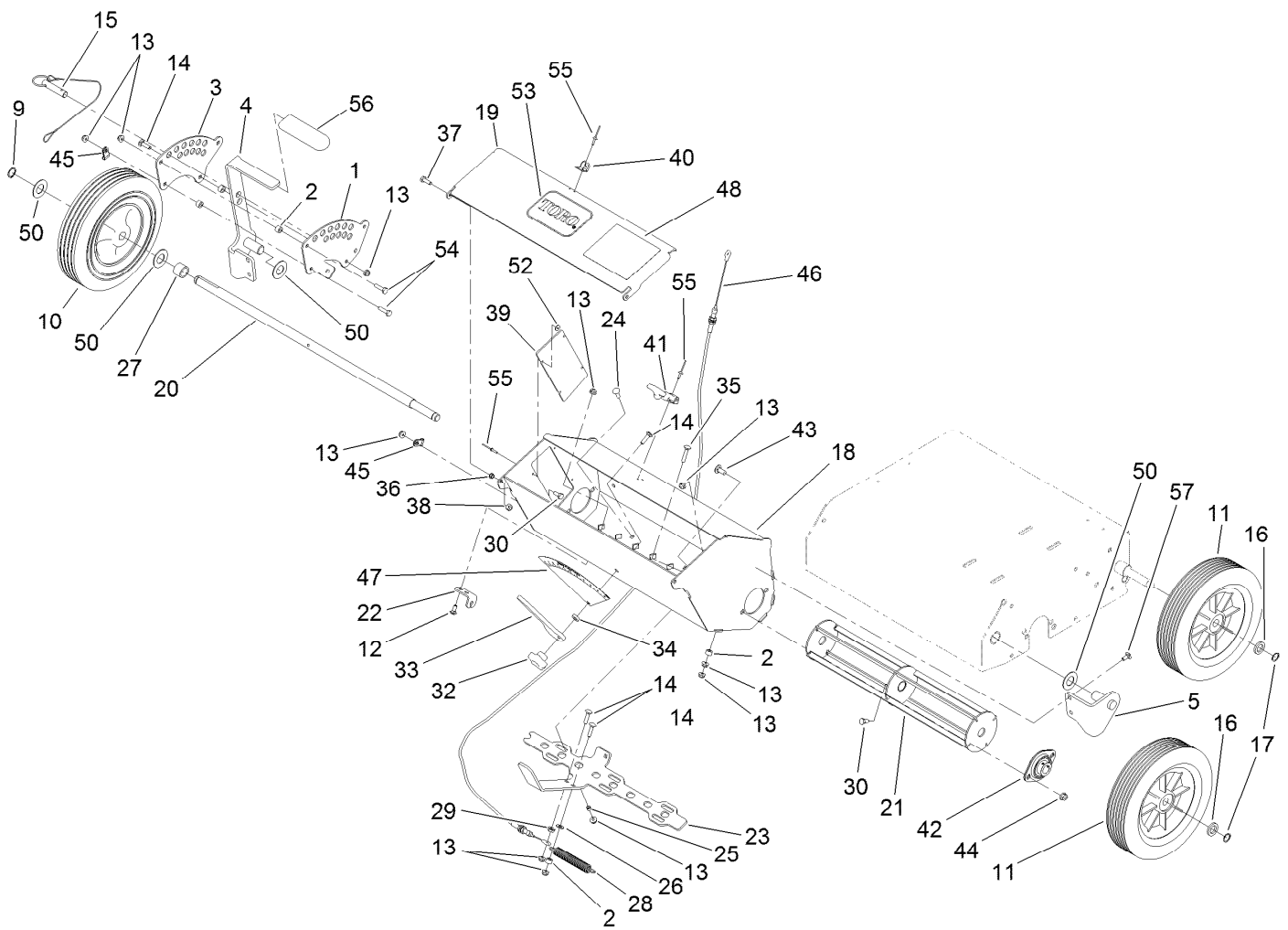
## Handle Assembly

Ref.	Part Number	Qty.	Description	Ref.	Part Number	Qty.	Description
1	104-8300	4	Nut-Flange, NI	31	3229-10	1	Screw-CARR
2	104-8301	2	Nut-Flange, NI	32	121-1877	1	Knob-Rate, Flow
4	109-2713	2	Bushing	33	3229-1	4	Bolt-CARR
5	109-8144	2	Bolt-Handle	34	119-7499	1	Pin-Clevis
8	127-4026	1	Bail	35	3272-4	2	Pin-Cotter
10	127-4027-03	1	Bracket-Throttle	36	22-7810	2	Spacer
11	125-3621-03	2	Handle	37	3256-22	1	Washer-Flat
12	121-4870	2	Plug	38	104-7201	6	Nut-HF
13	121-6202	2	Ring-Handle Lock	39	3229-5	2	Screw-CARR
14	125-3800-03	1	Handle-Upper	40	125-3917	1	Decal-Seed Gate
16	127-4048	1	Cable-Throttle	41	127-4042	1	Harness-Wire
17	3230-10	4	Screw-CARR	41:3	32180-037	1	Clip-Harness
18	3231-6	2	Screw-CARR	42	100-1268	1	Switch-Plunger
19	3290-378	1	Tie-Cable	43	120-1887	1	Plug-Engine
20	3296-56	2	Nut-Lock, NI	44	121-4409	1	Spring-Extension
21	1-513658	2	Bumper	45	3272-10	1	Pin-Cotter
27	125-3620-03	1	Bracket-Adjust, Flow	46	127-4061	1	Decal-Throttle
28	121-1879	1	Bracket-Adjust, Flow	47	3290-500	2	Screw-PPH
29	3256-45	2	Washer-Flat	48	3296-2	2	Nut-Lock, NI
30	121-1878	1	Lever-Adjust, Flow				



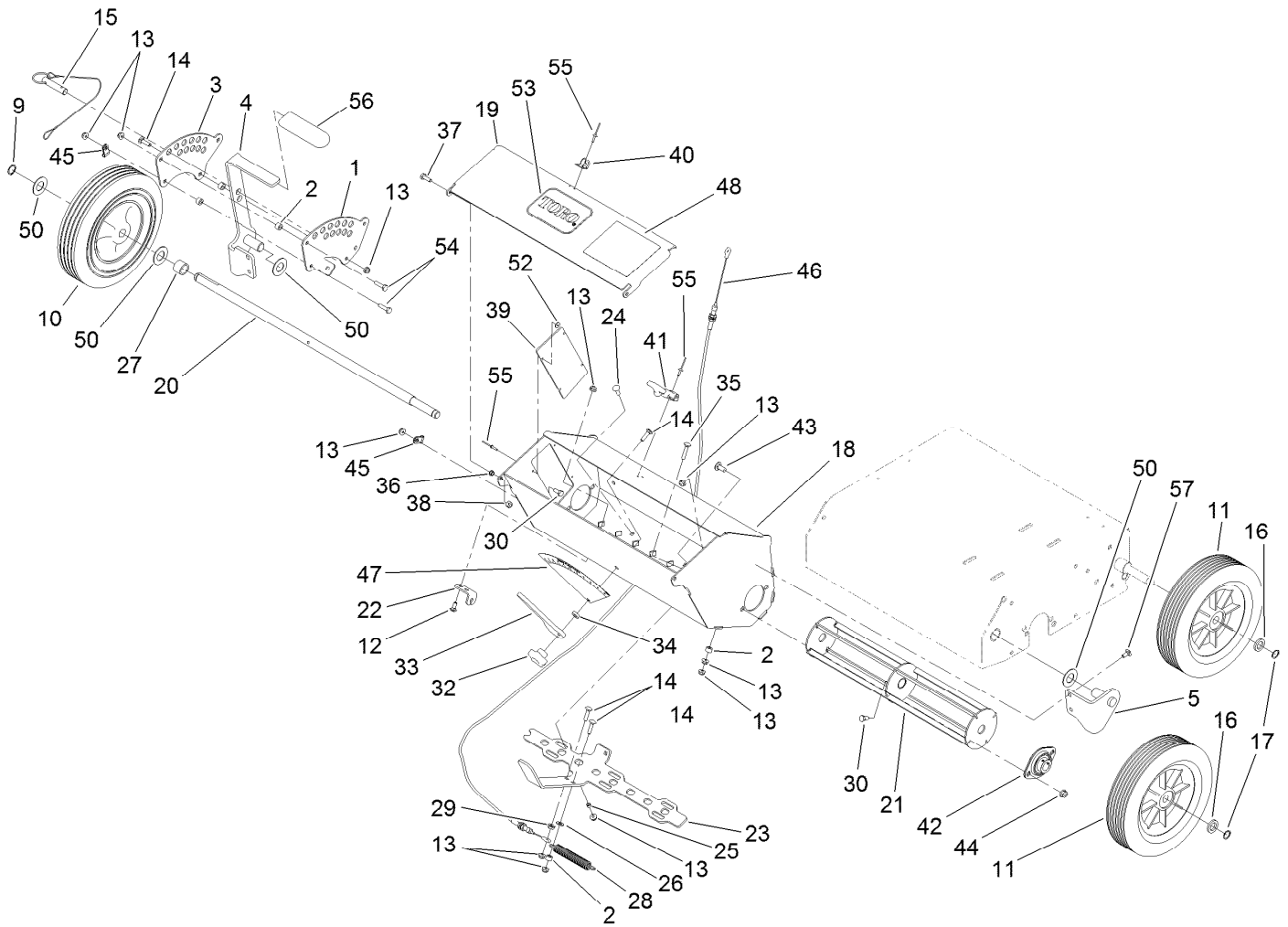
## Bearing Assembly

<i>Ref.</i>	<i>Part Number</i>	<i>Qty.</i>	<i>Description</i>
1	121-6124	1	Shaft
2	3296-48	4	Nut-Lock, NI
3	106-7126	2	Bearing-Flange
3:1	302-58	1	Fitting-Straight
3:2	3245-35	2	Screw-Set, HSH
5	121-1931	9	Blade-Cutting, Seeder
6	121-1933	8	Spacer
7	121-1934	1	Spacer-Retaining
8	324-5	4	Screw-HH
9	3296-60	1	Nut-Lock, NI
11	117-1092	2	Screw-PTH
12	120-6241	1	Shield-Trailing



## Wheel and Height Adjust Assembly

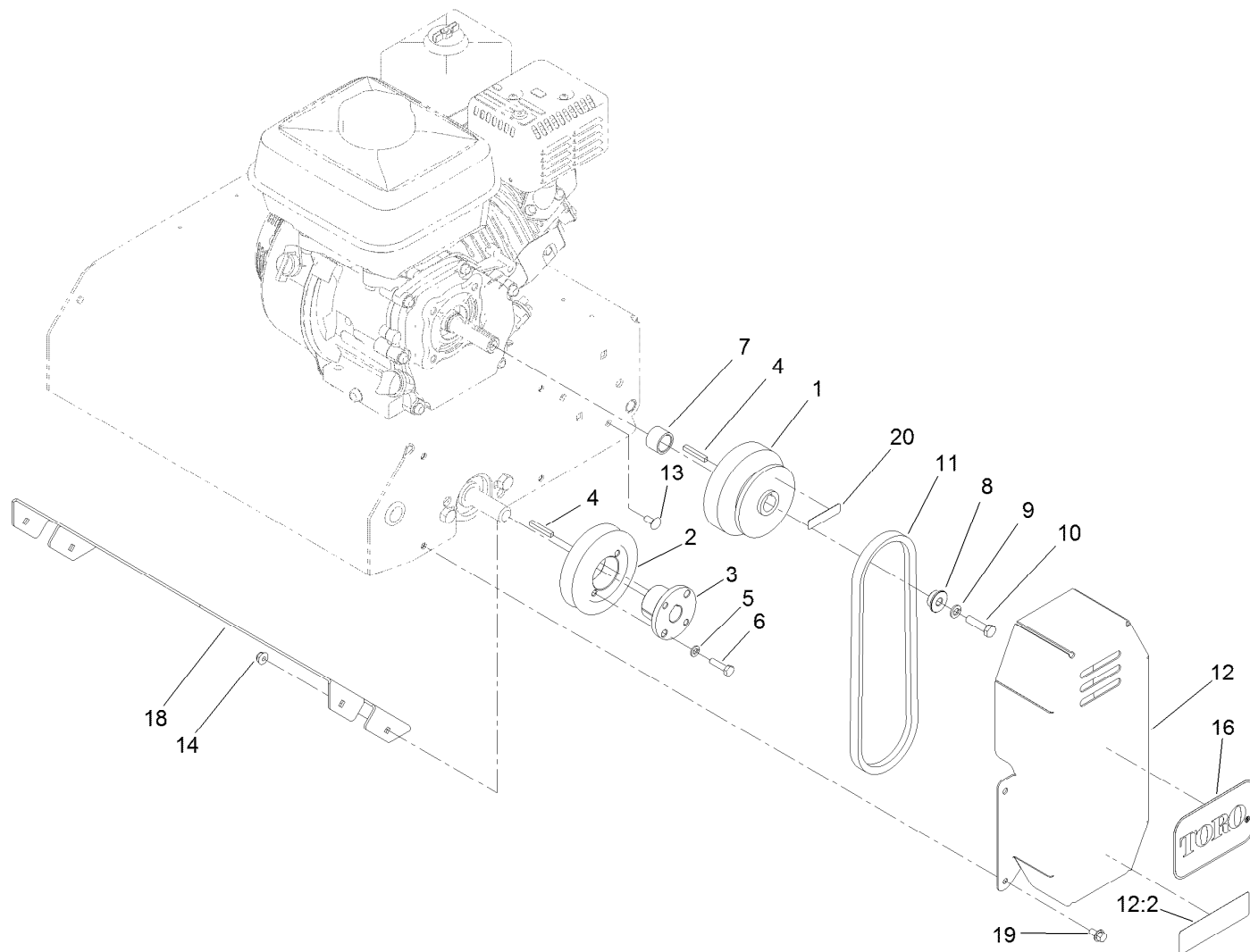
Ref.	Part Number	Qty.	Description	Ref.	Part Number	Qty.	Description
1	121-1854	1	Bracket	25	121-2015	6	Spacer
2	98-4799	8	Spacer	26	3256-22	2	Washer-Flat
3	121-1856	1	Plate	27	83-0730	1	Spacer-Lockup
4	125-3599-03	1	Bracket-HOC	28	121-2016	2	Spring-Extension
5	125-3600-03	1	Bracket-Wheel	29	32128-33	1	Nut-HF
9	32120-72	1	Ring-Snap	30	321-3	2	Screw-HH
10	125-3604	1	Wheel	32	108-6402	1	Knob-Handle
11	121-4897	3	Wheel-Transport	33	121-1912	1	Gauge-Seed Flow
12	3229-11	4	Screw-CARR	34	106-8189	1	Spacer
13	104-7201	25	Nut-HF	35	3229-3	2	Screw-CARR
14	3229-2	5	Screw-CARR	36	119-2404	2	Bushing-Flange, Split
15	104-3678	1	Pin-Hitch	37	321-4	2	Screw-HH
16	63-9710	3	Spacer-Bearing	38	3296-42	2	Nut-Lock, NI
17	32120-64	3	Ring-Snap, External	39	125-3618	1	Window-Seeder Box
18	125-3590-01	1	Box-Seeder	40	1-643189	1	Keeper-Latch, Rubber
19	125-3610-01	1	Cover-Seedbox	41	1-643188	1	Latch-Rubber
20	125-3598	1	Shaft-Agitator	42	121-1961	2	Bearing
21	121-6138-03	1	Mixer	43	3230-23	4	Screw-CARR
22	121-1907	1	Bracket-Seed Flow	44	104-8300	4	Nut-Flange, NI
23	125-3601-03	1	Gate-Seed	45	2412-149	1	Clamp-Hose
24	1-807512	6	Bolt-CARR	46	121-6218	1	Cable-Gate, Seed



## Wheel and Height Adjust Assembly (continued)

<i>Ref.</i>	<i>Part Number</i>	<i>Qty.</i>	<i>Description</i>	<i>Ref.</i>	<i>Part Number</i>	<i>Qty.</i>	<i>Description</i>
47	119-4655	1	Decal-Rate, Flow	54	321-6	2	Screw-HH
48	116-8537	1	Decal-Seed Graph	55	3290-274	8	Rivet-Pop
50	3256-39	4	Washer-Flat	56	1-633268	1	Grip-Lever
52	3269-10	4	Washer-Back	57	3229-1	4	Bolt-CARR
53	67-1300	1	Decal				





## Belt Drive Assembly

Ref.	Part Number	Qty.	Description
1	120-1215	1	Clutch-Centrifugal
2	121-2019	1	Sheave-Taper Lock
3	121-2022	1	Bushing-Taper Lock
4	92-2649	2	Key-Square
5	3253-3	2	Washer-Lock
6	321-6	2	Screw-HH
7	121-7731	1	Spacer
8	121-7732	1	Bushing
9	3253-4	1	Washer-Lock
10	3210-6	1	Screw-HH

Ref.	Part Number	Qty.	Description
11	53-4650	1	V-Belt
12	125-3827	1	Belt Guard ASM
12:2	93-7321	1	Decal-Danger
13	3229-11	4	Screw-CARR
14	104-7201	4	Nut-HF
16	67-1300	1	Decal
18	121-6235-01	1	Baffle-Deflector
19	3234-13	4	Screw-HHF
20	125-3897	1	Decal-Warning

**Notes:**

**Notes:**



**Count on it.**