



Count on it.

Parts Catalog

GrandStand® Mower

With 91cm TURBO FORCE® Cutting Unit

Model No. 74534TE—Serial No. 311000001 and Up



Ordering Replacement Parts

To order replacement parts, please supply the part number, the quantity, and the description of each part desired.

Understanding Reference Numbers

Each identified part in an illustration has a reference number. The reference number for a part also appears in the parts list, along with other information about the part.

This catalog uses two special reference number formats, one to indicate parts in a service assembly and another to indicate the quantity of a given part in an illustration.

Service Assembly Reference Numbers

Parts in service assemblies have reference numbers in the form a:b. The a represents the reference number of the entire service assembly and the b represents a sequential number unique to each part within the service assembly.

For example, a wheel assembly might be identified by reference number 6, the tire by 6:1, the valve by 6:2, and the wheel by 6:3. When you order the assembly identified by reference number 6, you receive all parts identified by reference numbers 6:1, 6:2, and 6:3. However, you may also order any part individually. Reference numbers of this type appear in illustration and in parts lists.

Reference Numbers Indicating Quantity

In an illustration, if a reference number indicates more than one part, the reference number has the form nX y. The n represents the quantity of the part, the X is the multiplication symbol, and the y represents the reference number.

For example, in an illustration, the reference number 2X 37 means that two of the parts identified by reference number 37 are indicated.

List of Abbreviations

AR: as required

ASM: assembly

BBC: blade brake control

BHTF: button head thread forming

CARR: carriage

CCW: counter clockwise

CW: clockwise

DEG: degrees

DPA: Dual Point Adjustment

ECM: electronic control module

EXT: external

FH: flat head

GA: gauge

HD: heavy-duty

HF: hex flange

HH: hex head

HHF: hex head flange

HHFTF: hex head flange thread forming

HJ: hex jam

HLH: hex lag head

HOC: height-of-cut

HSBH: hex socket button head

HSFH: hex socket flat head

HSH: hex socket head

HWH: hex washer head

HWHTF: hex washer head thread forming

HYD: hydraulic

LH: left hand

LP: Liquefied Petroleum Gas

LPG: Liquefied Petroleum Gas

NI: nylon insert

NPTF: national pipe thread fine

PFH: phillips flat head

PPH: phillips pan head

PPHTF: phillips pan head thread forming

PRH: phillips round head

PTH: phillips truss head

PTO: power-take-off

RH: right hand

ROPS: roll-over protection system

RRB: rear roller brush

SFH: slotted fillister head

SHH: slotted hex head

SHWH: slotted hex washer head

SPH: slotted pan head

SQH: square head

SRH: slotted round head

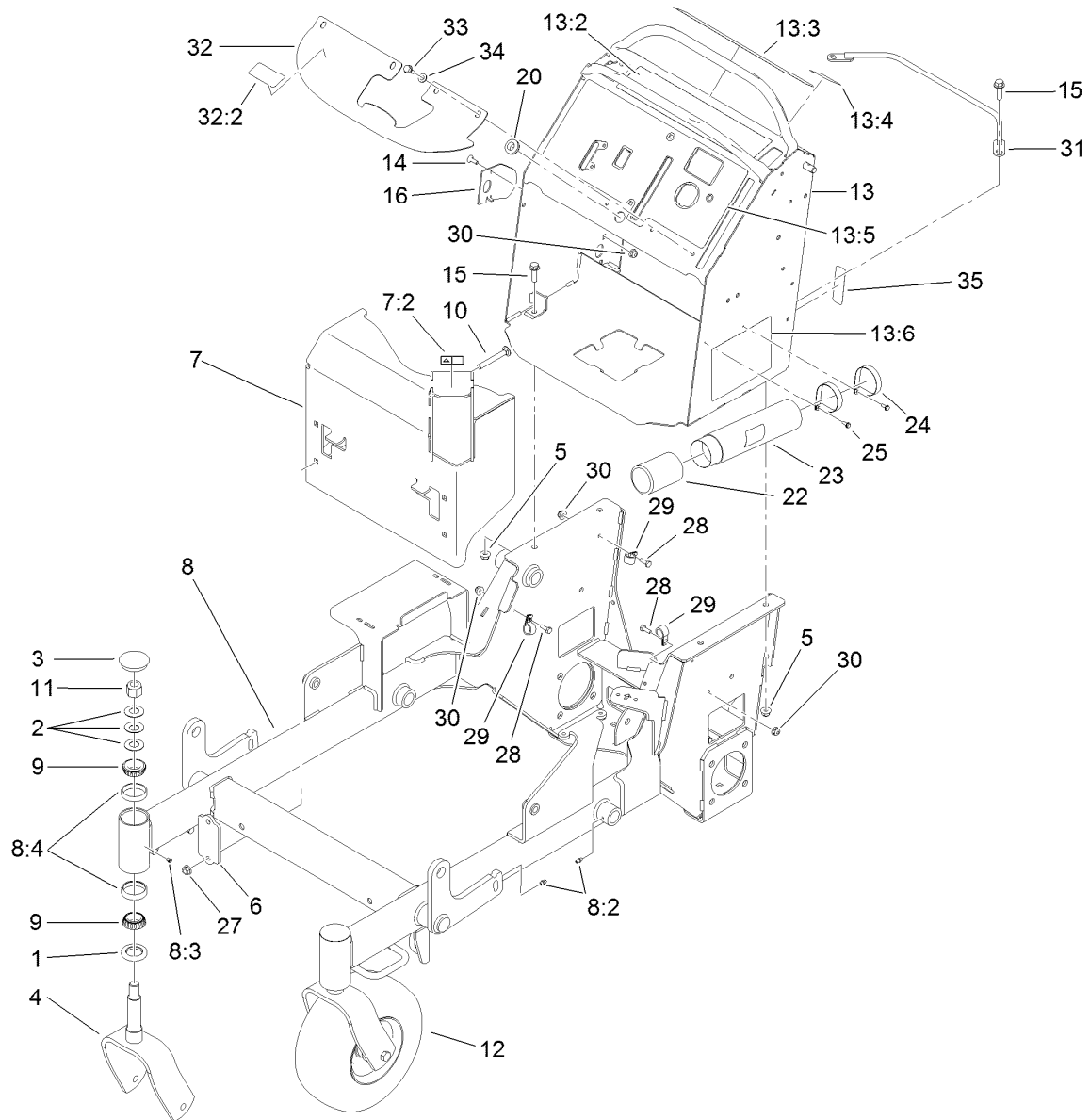
STD: standard

TAP: self tapping

TTH: torx truss head

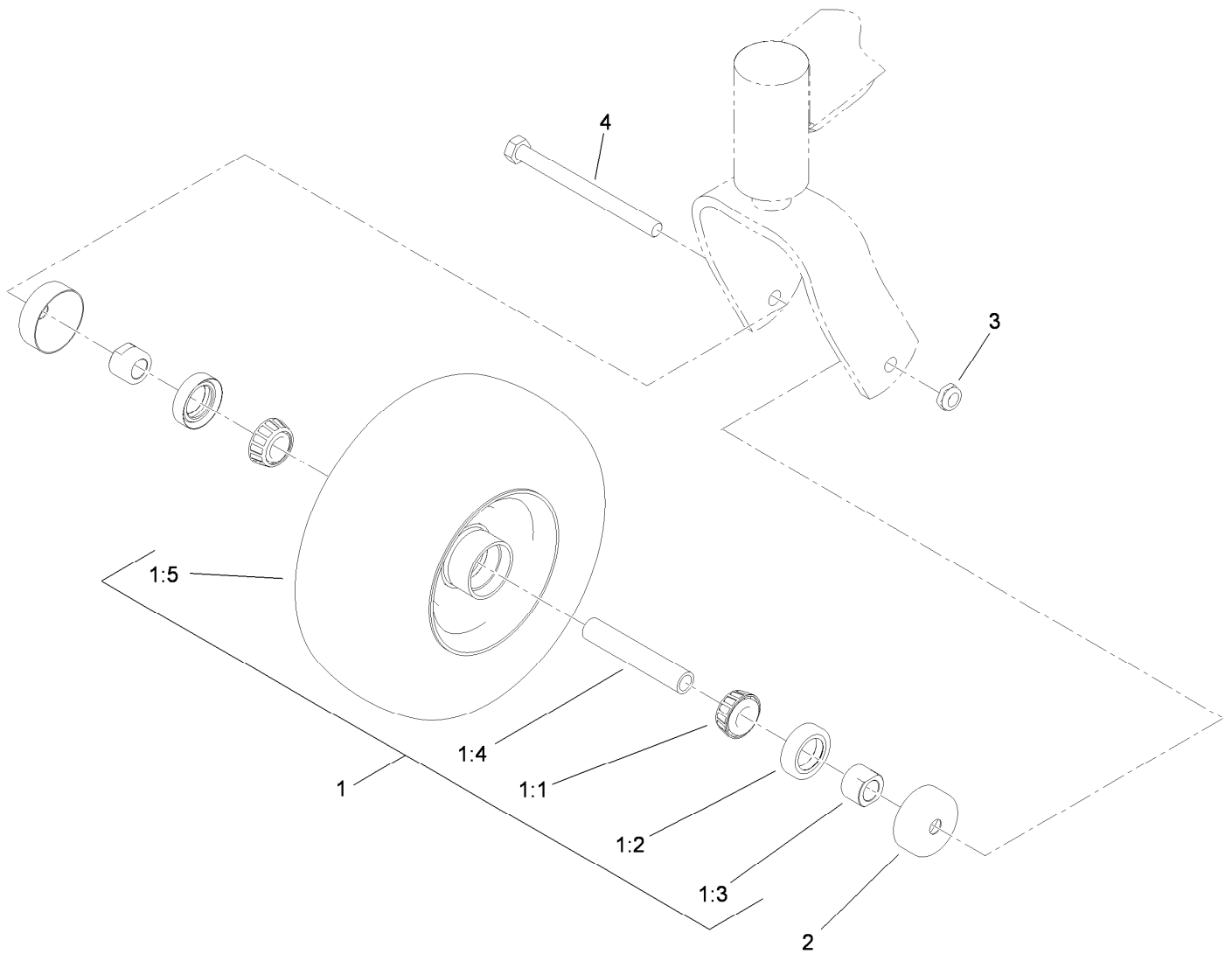
Contents

Main Frame Assembly	4
Wheel and Bearing Assembly No. 112-3810	5
Parking Brake Assembly	6
Height-of-Cut Plate Assembly	7
Deck Lift Assembly	8
Deck Lift Spring Assembly No. 119-2337	10
Cushion and Platform Assembly	11
Cushion Assembly No. 117-9770	12
Platform Assembly No. 117-7675	13
Traction Drive Assembly	14
Hydraulic Pump Assembly No. 119-0176	16
Hydraulic Pump Assembly No. 119-0177	17
Hydraulic Motor Assembly 104-1171	18
Pump Idler Assembly No. 117-7685	19
Motion Control Assembly	20
Speed Control Assembly	21
Engine Assembly	22
Fuel Tank Assembly	24
Vent Hose Assembly	25
Electrical Assembly	26
Deck Assembly	27
Deflector Assembly No. 119-2347	29
Spindle Assembly No. 117-7638	30
Deck Decal Assembly No. 119-0151	31
Attachments and Accessories	32



Main Frame Assembly

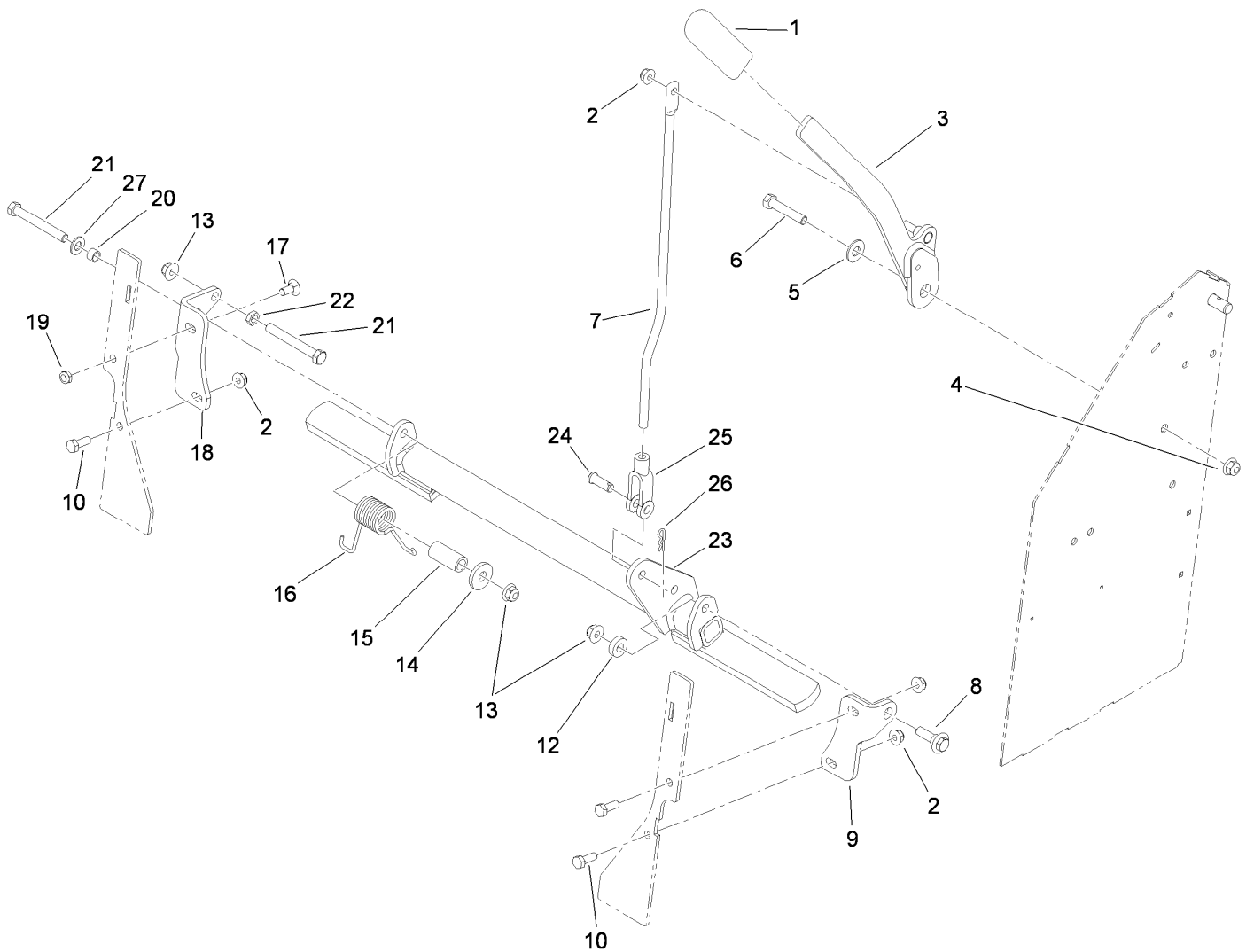
Ref.	Part Number	Qty.	Description	Ref.	Part Number	Qty.	Description
1	1-543511	2	Seal-Grease	13:5	119-0241	1	Decal-Service Aid
2	1-633508	6	Washer-Bellville	13:6	120-6447	1	Decal-Stability, Ce
3	103-4882	2	Cap-Grease	14	1-807512	1	Bolt-CARR
4	103-8618-01	2	Fork-Caster	15	119-4061	4	Screw-HHF
5	104-8301	4	Nut-Flange, NI	16	119-7312	1	Plate-Striker
6	119-7303-01	2	Bracket-Mounting, Guard	20	112-7069	1	Grommet
7	119-0230	1	Muffler Guard ASM	22	104-7048	1	Cap-Housing
7:2	106-5517	1	Decal-Warning, Hot Surface	23	104-7050	1	Tube-Manual
8	117-7670	1	Frame ASM	24	2412-120	2	Clamp-R
8:2	302-5	5	Fitting-Grease	25	32144-1	2	Screw-Taptite
8:3	1-811010	2	Plug	27	32128-21	4	Nut-HF
8:4	1-543508	4	Cup-Bearing	28	321-4	3	Screw-HH
9	1-543509	4	Bearing-Roller, Tapered	29	2412-87	3	Clamp-Cable
10	3231-10	4	Screw-CARR	30	104-7201	4	Nut-HF
11	3296-51	2	Nut-Lock, NI	31	119-1878-03	1	Retainer-Cable
12	112-3810	2	Wheel/Tire And Bearing ASM	32	119-0239	1	Cover-Tank
13	120-6430	1	Control Tower ASM	32:2	116-3290	1	Decal-Fill, Fuel
13:2	117-0454	1	Decal-Opc	33	32144-11	4	Screw-HWHTF
13:3	117-3626	1	Decal-Warning	34	3256-70	4	Washer-Flat
13:4	119-0234	1	Decal-Panel, Control	35	116-3267	1	Decal-Fuse



Wheel and Bearing Assembly No. 112-3810

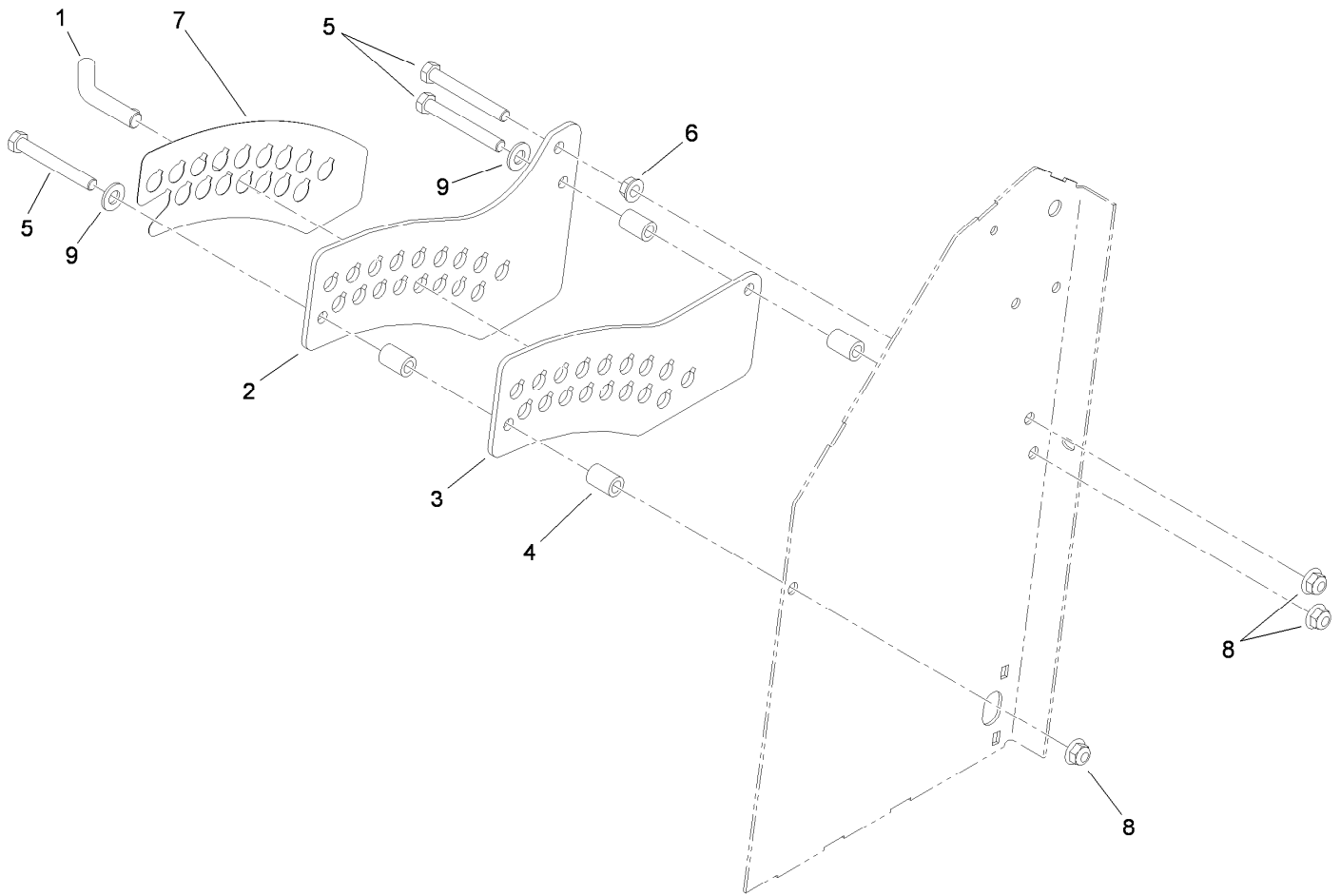
Ref.	Part Number	Qty.	Description
1		1	Wheel And Bearing ASM ●
1:1	1-633585	2	Bearing-Cone, Taper
1:2	103-0063	2	Seal-Caster
1:3	103-3051	2	Spacer-Nut
1:4	103-3157	1	Axle-Caster
1:5	110-9965	1	Wheel And Tire ASM
2	103-2768	2	Guard-Seal
3	3296-45	1	Nut-Lock, NI
4	325-20	1	Screw-HH

● Not serviced separately



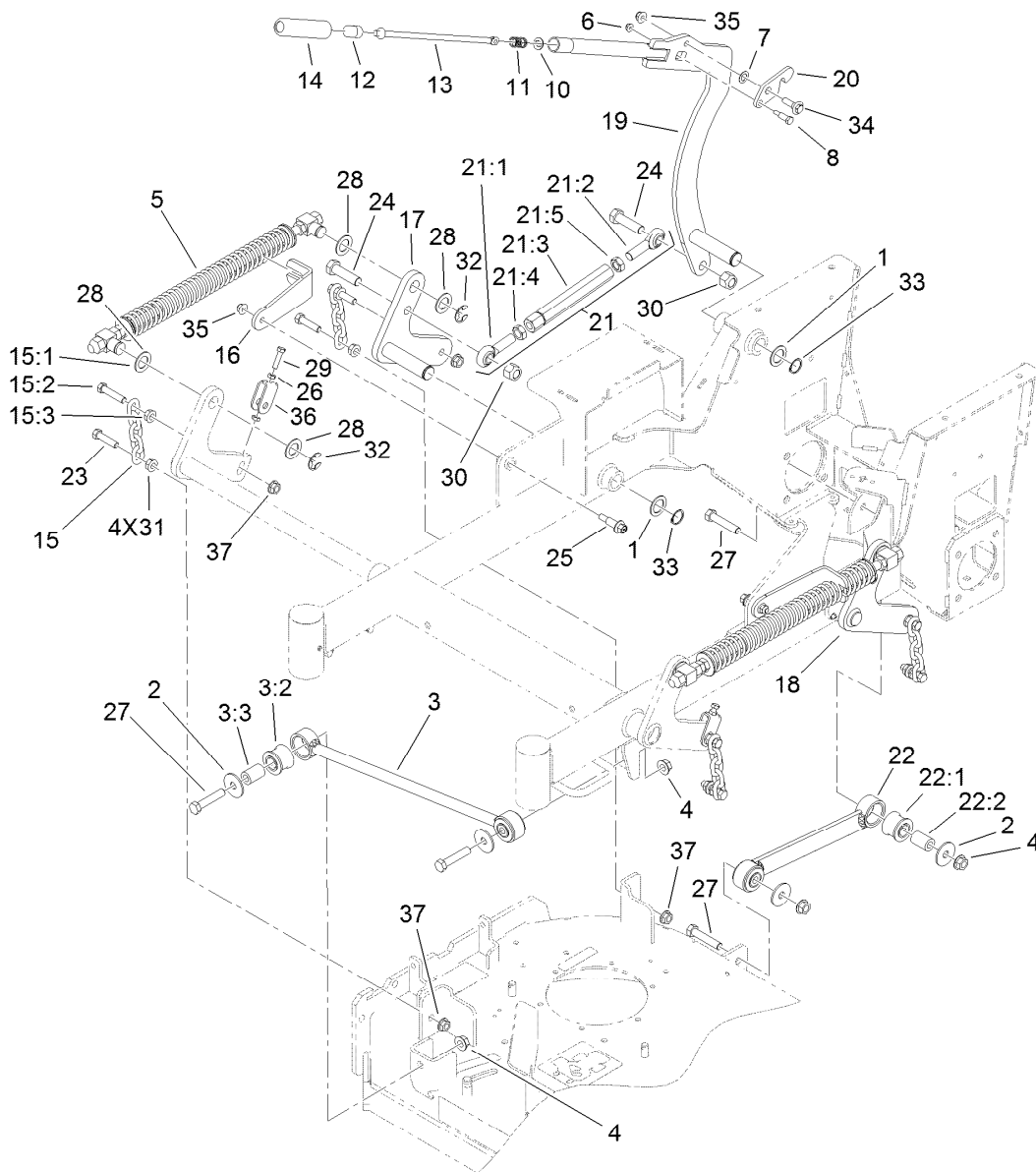
Parking Brake Assembly

<i>Ref.</i>	<i>Part Number</i>	<i>Qty.</i>	<i>Description</i>	<i>Ref.</i>	<i>Part Number</i>	<i>Qty.</i>	<i>Description</i>
1	1-633268	1	Grip-Lever	15	117-9683	1	Spacer
2	104-8300	4	Nut-Flange, NI	16	108-4052	1	Spring-Torsion
3	119-1861-01	1	Handle-Brake	17	3230-1	1	Bolt-CARR
4	104-8301	1	Nut-Flange, NI	18	117-6198-01	1	Bracket-Brake Mount, RH
5	3256-4	1	Washer-Flat	19	3296-47	1	Nut-Lock, NI
6	323-10	1	Screw-HH	20	117-9684	1	Spacer
7	117-6199	1	Rod-Link, Brake	21	323-20	2	Screw-HH
8	614672	1	Bolt-Shoulder	22	3218-3	1	Nut-Jam
9	119-1860-01	1	Bracket-Brake Mount, LH	23	117-6197-03	1	Brake ASM
10	322-4	3	Screw-HH	24	283-2	1	Pin-Clevis
12	5-0652	1	Spacer	25	1-633131	1	Yoke-Linkage, Brake
13	104-8301	3	Nut-Flange, NI	26	3290-307	1	Pin-Hair
14	1-373034	1	Washer	27	3256-24	1	Washer-Flat



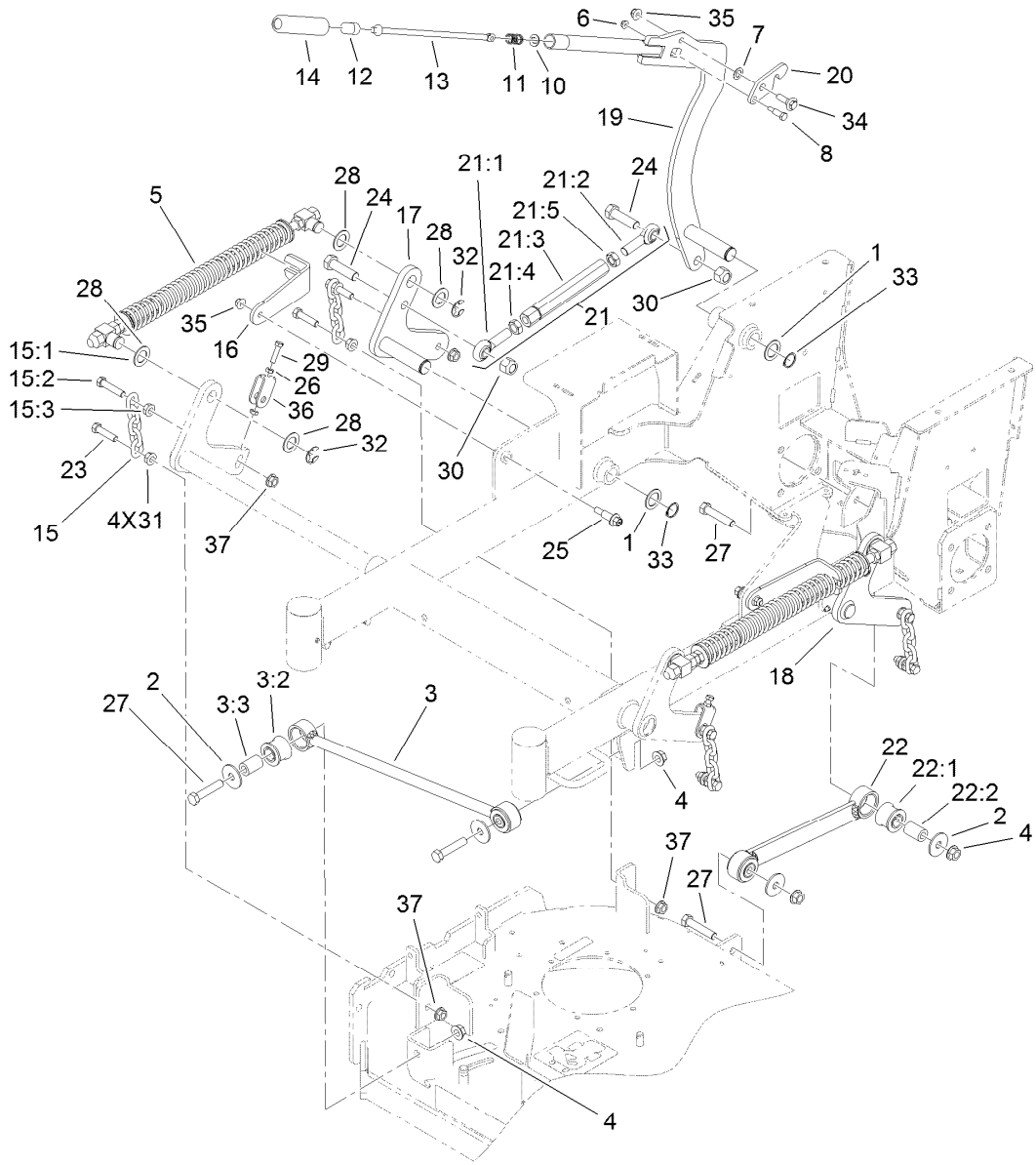
Height-of-Cut Plate Assembly

<i>Ref.</i>	<i>Part Number</i>	<i>Qty.</i>	<i>Description</i>
1	109-8757	1	Pin-HOC
2	117-5286-01	1	Plate-HOC, Outside
3	117-5287-01	1	Plate-HOC, Inside
4	114-2754	4	Spacer
5	323-14	3	Screw-HH
6	3290-357	1	Nut-HHF, Whiz
7	119-2317	1	Decal-HOC
8	104-8301	3	Nut-Flange, NI
9	3256-24	2	Washer-Flat



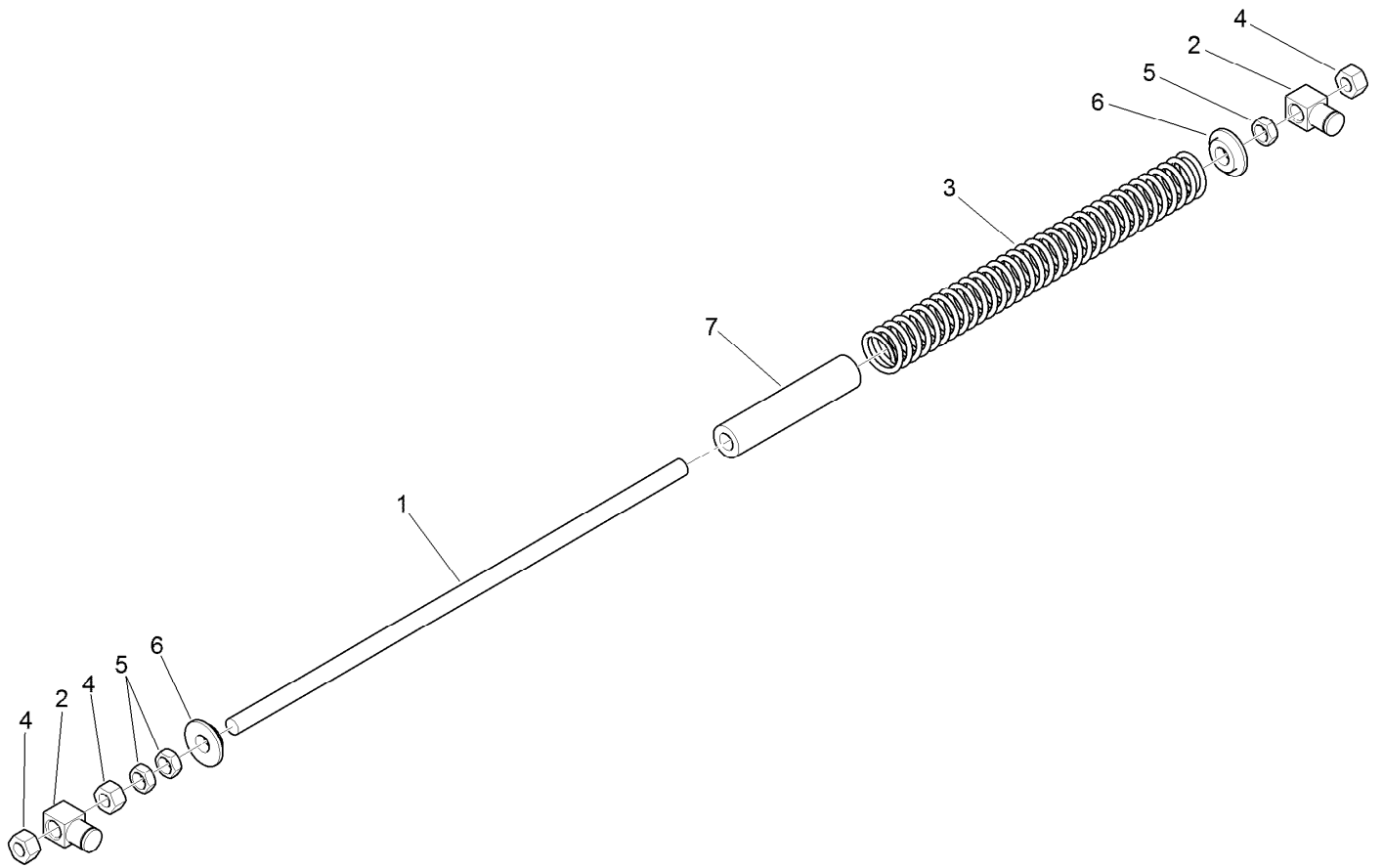
Deck Lift Assembly

Ref.	Part Number	Qty.	Description	Ref.	Part Number	Qty.	Description
1	1-523157	3	Washer-Spacer	17	117-5276-01	1	RH Lift Arm ASM
2	86-1990	6	Washer	18	117-5277-01	1	LH Lift Arm ASM
3	109-5013	1	Panhard Rod ASM	19	117-5290-01	1	Arm-Lift, HOC
3:2	109-5009	2	Bushing-Suspension, Rubber	20	117-5292	1	Latch-HOC
3:3	109-5010	2	Spacer	21	119-0383	1	Deck Lift Link ASM
4	32128-23	6	Nut-HF	21:1	1-633029	1	Balljoint-Spherical
5	119-2337	2	Deck Lift Spring ASM	21:2	117-5291	1	Balljoint-Spherical
6	104-7201	1	Nut-HF	21:3	119-0382	1	Link-Lift, Deck
7	98-1629	1	Washer	21:4	3220-6	1	Nut-Jam
8	119-2309	1	Bolt-Shoulder	21:5	117-5293	1	Nut-Jam
10	114-1207	1	Washer-Special	22	119-0384	2	Deck Strut ASM
11	114-8187	1	Spring-Compression	22:1	109-5009	2	Bushing-Suspension, Rubber
12	115-2750	1	Knob	22:2	109-5010	2	Spacer
13	119-2331	1	Rod-Latch	23	324-7	4	Screw-HH
14	115-3592	1	Grip	24	327-22	2	Screw-HH
15	116-0756	4	Deck Lift Chain ASM	25	62-1330	2	Bolt-Shoulder
15:1	1-633447	1	Chain-Lift, Deck	26	3218-2	4	Nut-Jam
15:2	109-9065	1	Screw-HH	27	325-10	6	Screw-HH
15:3	32128-37	1	Nut-HF	28	119-2332	8	Washer-Flat
16	119-2302-01	2	Bracket-Fork	29	119-3626	2	Screw-HH



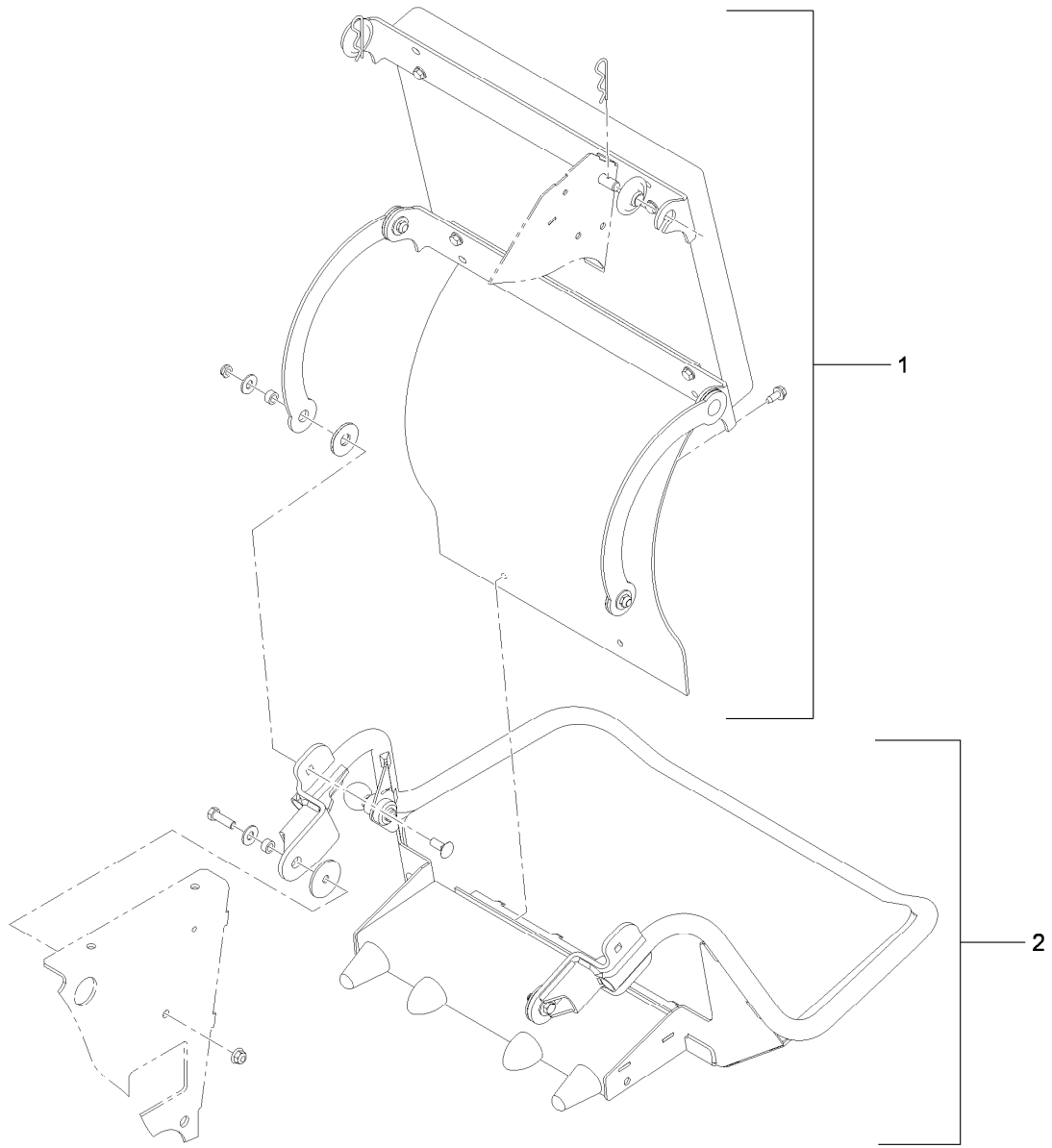
Deck Lift Assembly (continued)

<i>Ref.</i>	<i>Part Number</i>	<i>Qty.</i>	<i>Description</i>	<i>Ref.</i>	<i>Part Number</i>	<i>Qty.</i>	<i>Description</i>
30	3296-53	2	Nut-Lock, NI	34	614672	1	Bolt-Shoulder
31	32128-37	4	Nut-HF	35	104-8301	3	Nut-Flange, NI
32	32151-103	4	Ring-Retaining, EXT	36	109-9066	2	Yoke-Adjust, Deck
33	32151-29	3	Ring-Retaining	37	32128-42	8	Nut-HF



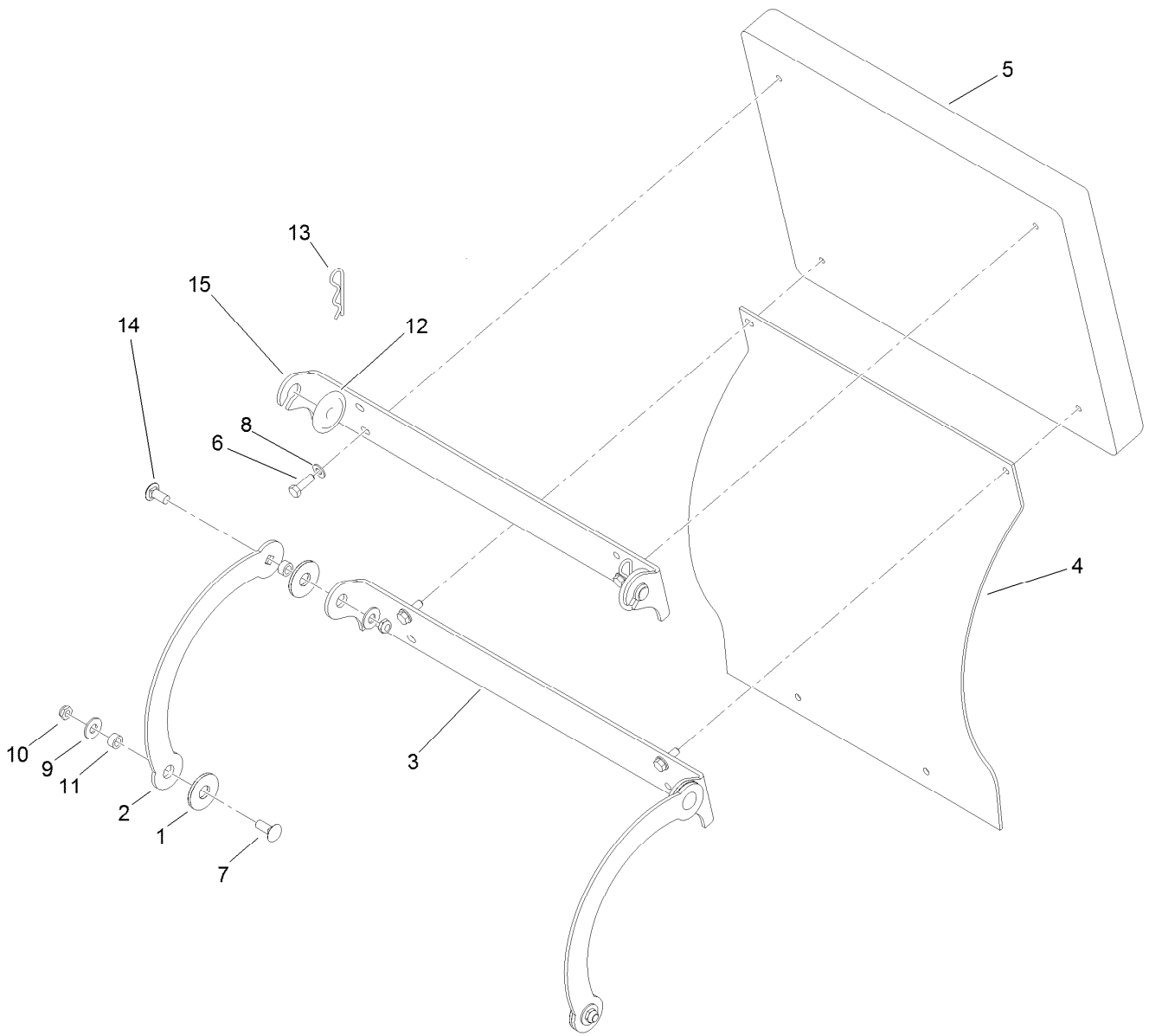
Deck Lift Spring Assembly No. 119-2337

Ref.	Part Number	Qty.	Description
1	1-633096	1	Rod-Lift, Deck
2	1-633441	2	Swivel-Deck Mount, Rear
3	119-2327	1	Spring-Compression
4	3217-11	3	Nut-Hex
5	3218-6	3	Nut-Jam
6	119-2334	2	Washer-Step
7	119-2335	1	Tube-Guide, Spring



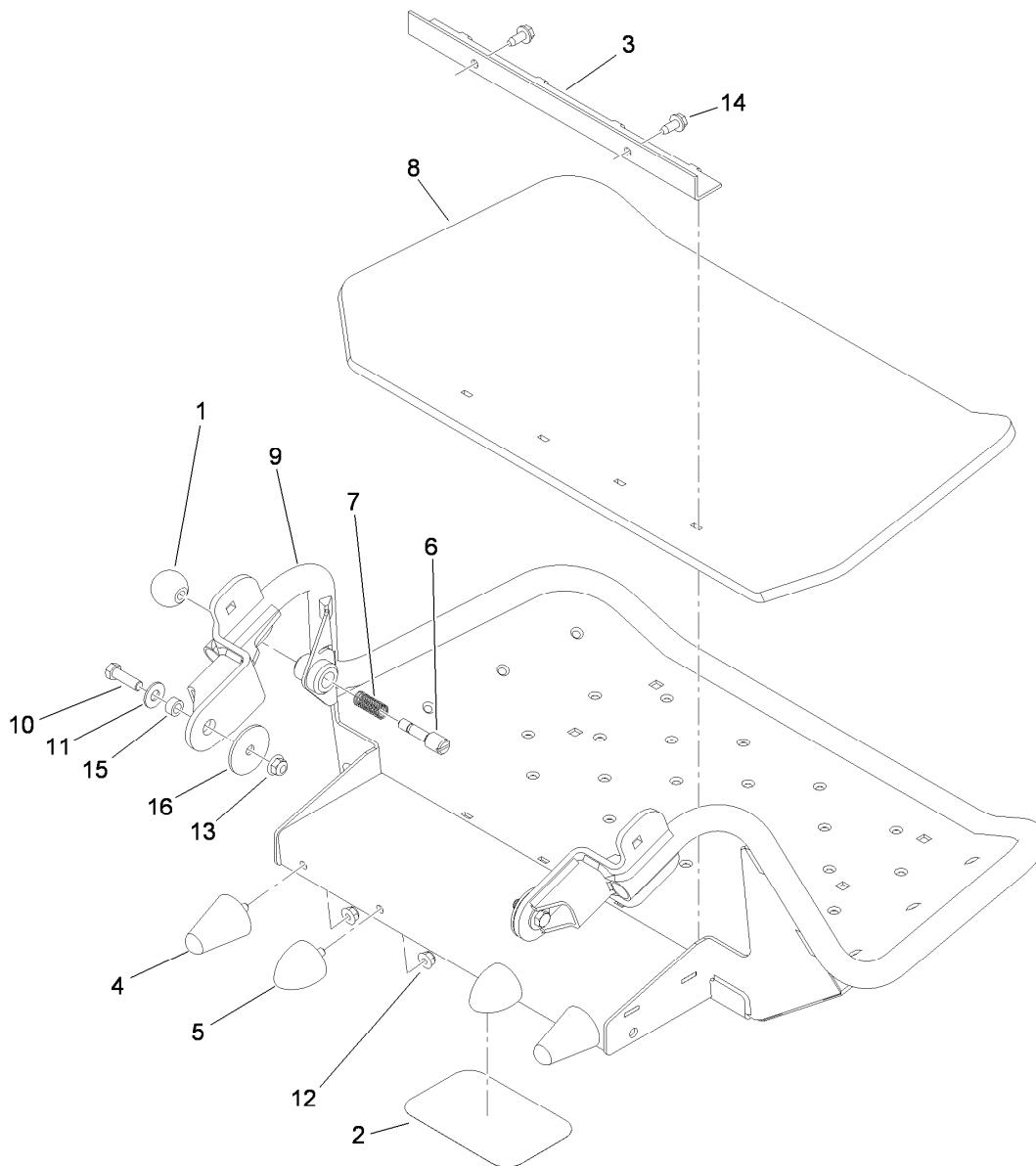
Cushion and Platform Assembly

<i>Ref.</i>	<i>Part Number</i>	<i>Qty.</i>	<i>Description</i>
1	117-9770	1	Cushion ASM
2	117-7675	1	Platform ASM



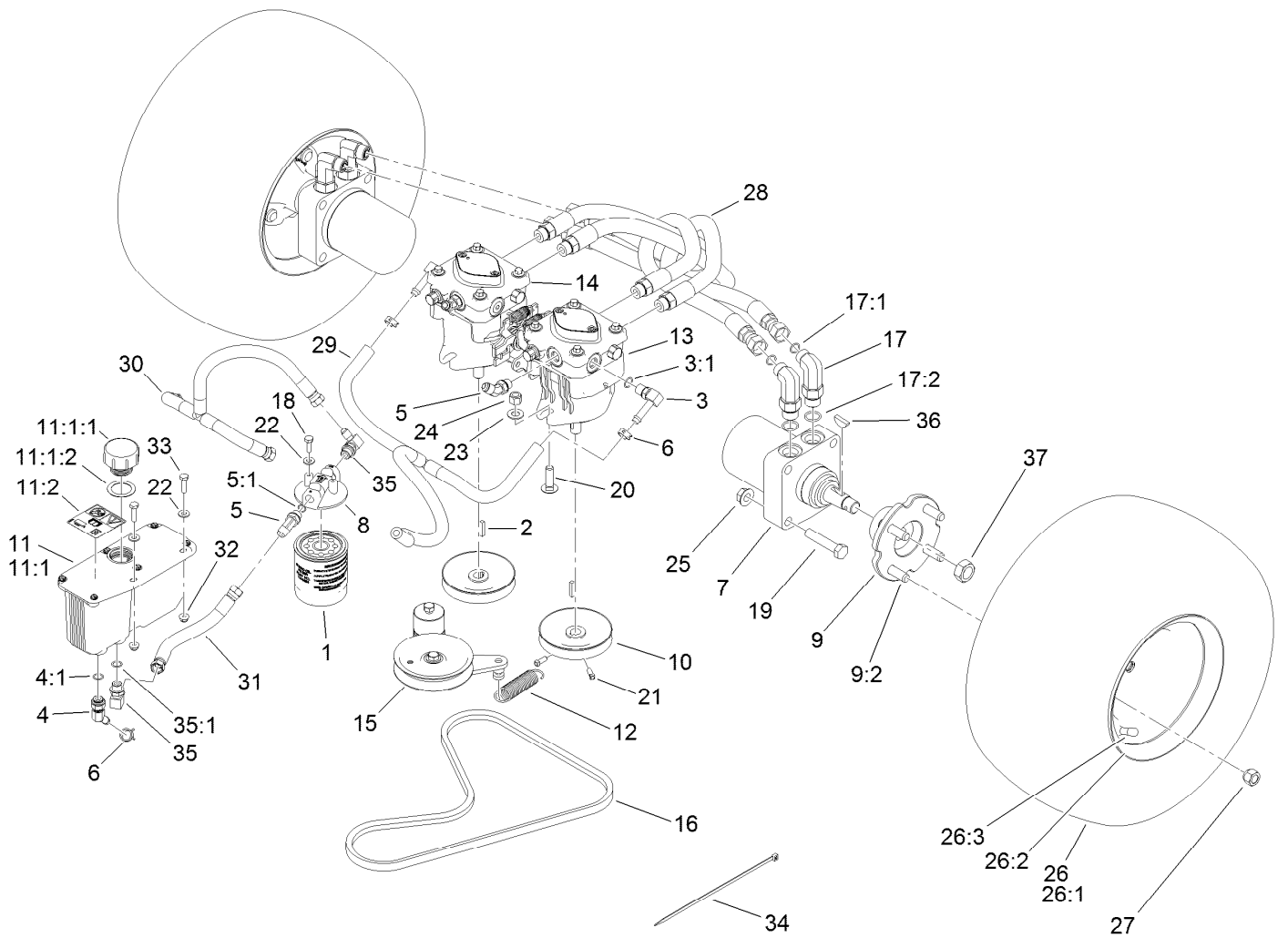
Cushion Assembly No. 117-9770

Ref.	Part Number	Qty.	Description
1	114-0463	4	Washer-Friction, Composite
2	114-1915-01	2	Link-Pad
3	116-2061-03	1	Hinge-Pad
4	114-1919	1	Shield-Rear
5	117-9739	1	Pad-Cushion
6	116-0648	4	Screw-HH, Thread Locking
7	3231-2	2	Bolt-CARR
8	3256-23	4	Washer-Flat
9	3256-4	4	Washer-Flat
10	3296-59	4	Nut-Lock, NI
11	111044	4	Spacer
12	116-2886	2	Slide-Bushing
13	3290-355	2	Pin-Hair
14	3231-27	2	Screw-CARR
15	116-2757-03	1	Hinge-Pad



Platform Assembly No. 117-7675

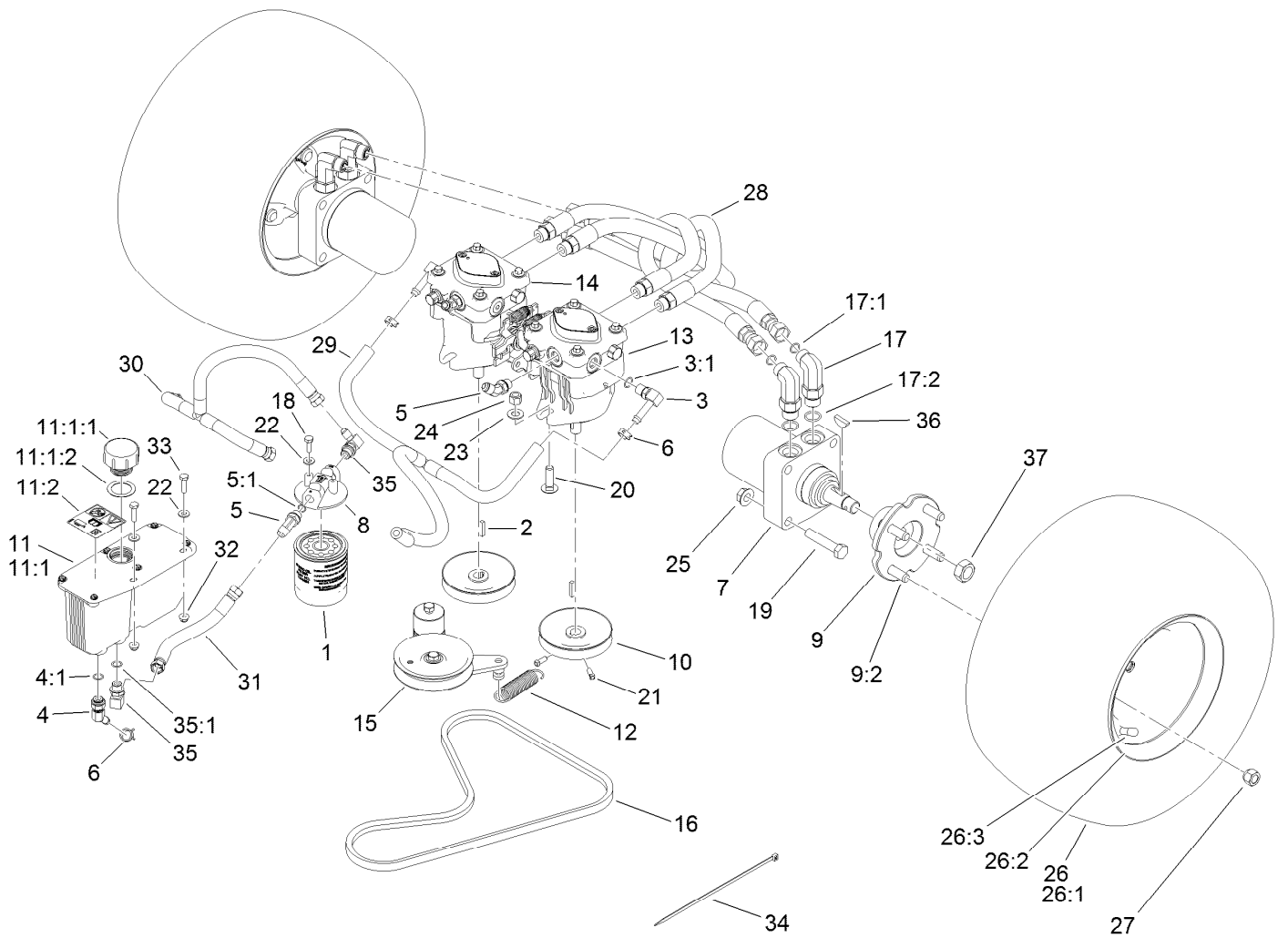
<i>Ref.</i>	<i>Part Number</i>	<i>Qty.</i>	<i>Description</i>	<i>Ref.</i>	<i>Part Number</i>	<i>Qty.</i>	<i>Description</i>
1	1-603175	1	Knob-Ball	9	117-7660-01	1	Platform
2	68-3640	1	Decal	10	323-7	2	Screw-HH
3	114-1920-03	1	Clamp-Shield	11	3256-4	2	Washer-Flat
4	114-1925	2	Bumper-Rubber	12	104-8300	4	Nut-Flange, NI
5	114-1926	2	Bumper-Rubber	13	104-8301	2	Nut-Flange, NI
6	119-8650	1	Pin-Latch	14	32144-11	2	Screw-HWHTF
7	114-5348	1	Spring	15	111044	2	Spacer
8	114-5349	1	Mat-Foot	16	83-1040	2	Washer-Flat



Traction Drive Assembly

Ref.	Part Number	Qty.	Description	Ref.	Part Number	Qty.	Description
1	114-3494	1	Element-Filter, 25 Micron	11:2	115-4212	1	Decal-Warning
2	1-807272	2	Key	12	108-4056	1	Spring-Extension
3	100-4887	2	Fitting-Barbed, 90 DEG	13	119-0176	1	Hydraulic Pump ASM
3:1	237-42	1	O-Ring	14	119-0177	1	Hydraulic Pump ASM
4	103-1807	1	Fitting-Barbed, 45 DEG	15	117-7685	1	Pump Idler ASM
4:1	237-42	1	O-Ring	16	119-0174	1	Belt-V
5	353-212	3	Fitting-HYD, 45 DEG	17	119-8680	4	Fitting-Elbow, 90
5:1	237-42	1	O-Ring	17:1	237-30	1	O-Ring
6	103-1988	3	Clamp-Hose	17:2	237-80	1	O-Ring
7	104-1171	2	HYD Motor ASM	18	321-4	2	Screw-HH
8	104-7836	1	Head-Filter	19	325-10	8	Screw-HH
9	105-0800	2	Wheel Hub ASM	20	3232-3	4	Bolt-CARR
9:2	10-6830	4	Stud-Type, Drive	21	3241-5	4	Screw-Set
10	105-5648	2	Pulley-Pump	22	3256-22	4	Washer-Flat
11	107-8433	1	HYD Reservoir ASM	23	3256-25	4	Washer-Flat
11:1		1	Reservoir-HYD ●	24	3296-48	4	Nut-Lock, NI
11:1:1	103-1948	1	Cap-Reservoir, HYD	25	32128-23	8	Nut-HF
11:1:2	103-1949	1	Gasket-Cap	26	117-7645	2	Wheel And Tire ASM

● Not serviced separately

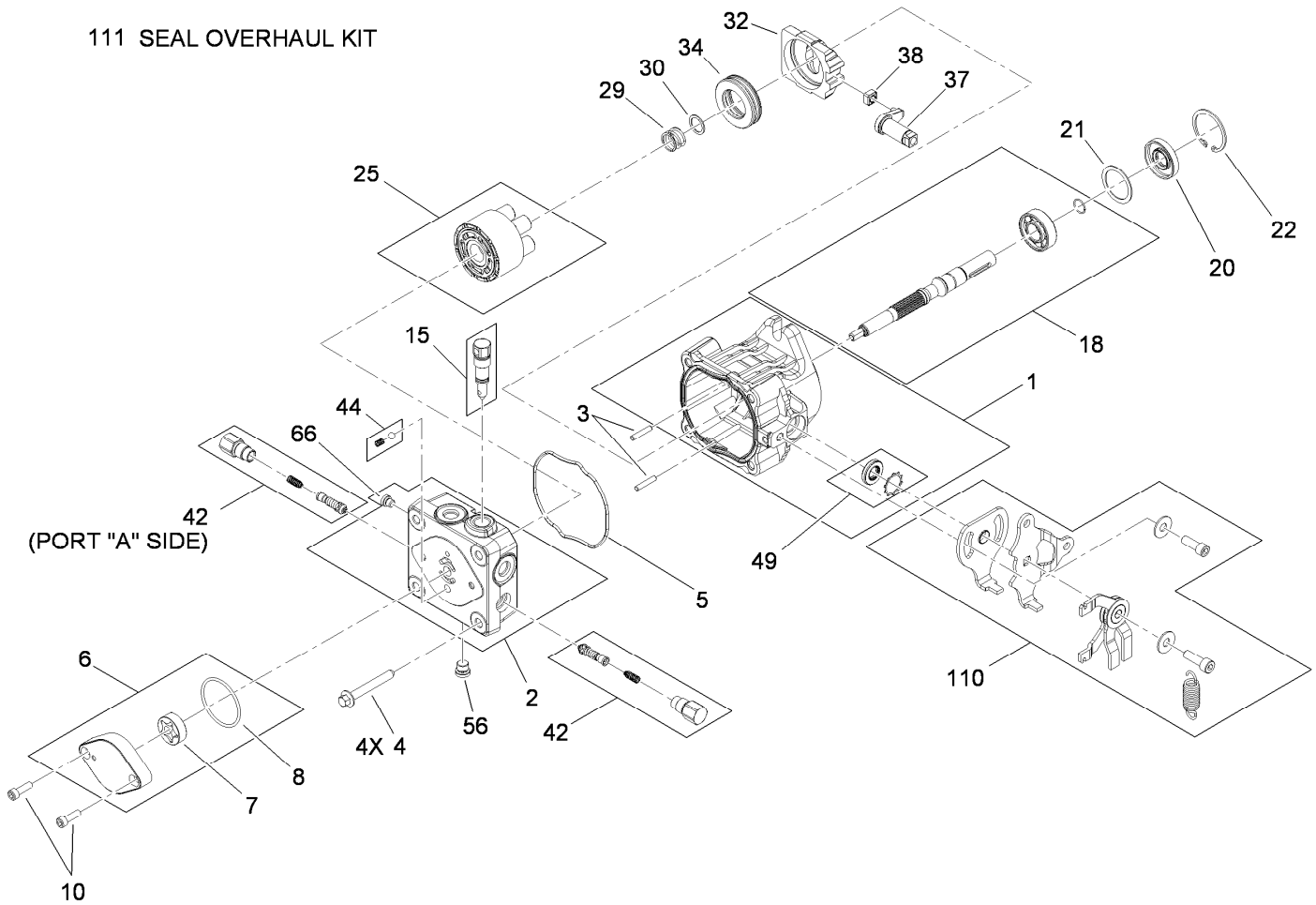


Traction Drive Assembly (continued)

<i>Ref.</i>	<i>Part Number</i>	<i>Qty.</i>	<i>Description</i>	<i>Ref.</i>	<i>Part Number</i>	<i>Qty.</i>	<i>Description</i>
26:1	103-2237	1	Tire	32	104-7201	2	Nut-HF
26:2	106-8133	1	Rim-8 Inch	33	321-6	2	Screw-HH
26:3	232-27	1	Stem-Valve	34	3290-378	1	Tie-Cable
27	242-50	8	Nut-Lug	35	103-1802	2	Fitting-HYD, 90 DEG
28	119-0173	4	HYD Hose ASM	35:1	1-603921	1	O-Ring
29	119-8745	1	HYD Hose ASM	36	3257-8	2	Key-Woodruff
30	119-0206	1	HYD Hose ASM	37	85-7310	2	Nut-Motor, Wheel
31	119-0203	1	HYD Hose ASM				

● Not serviced separately

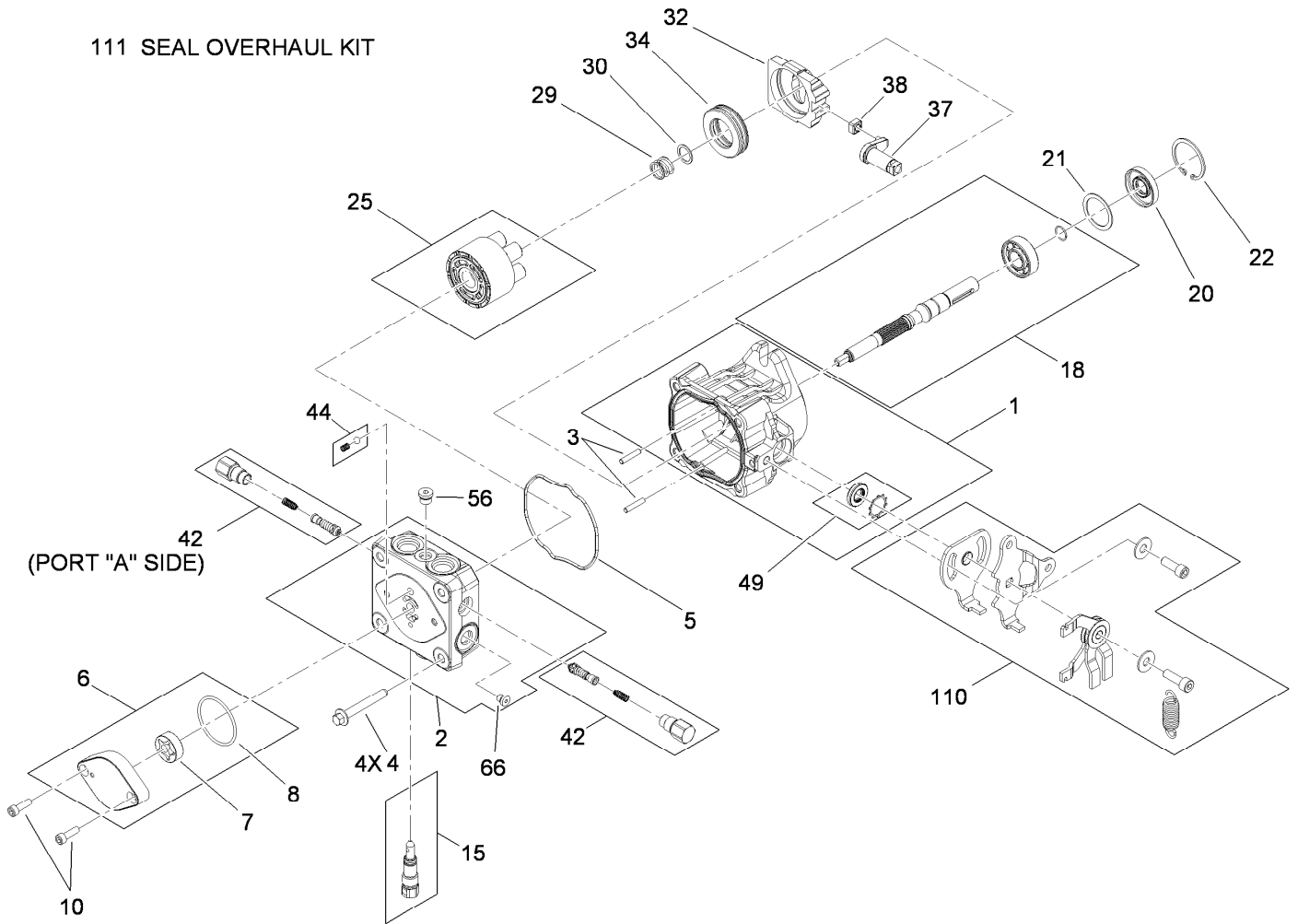
111 SEAL OVERHAUL KIT



Hydraulic Pump Assembly No. 119-0176

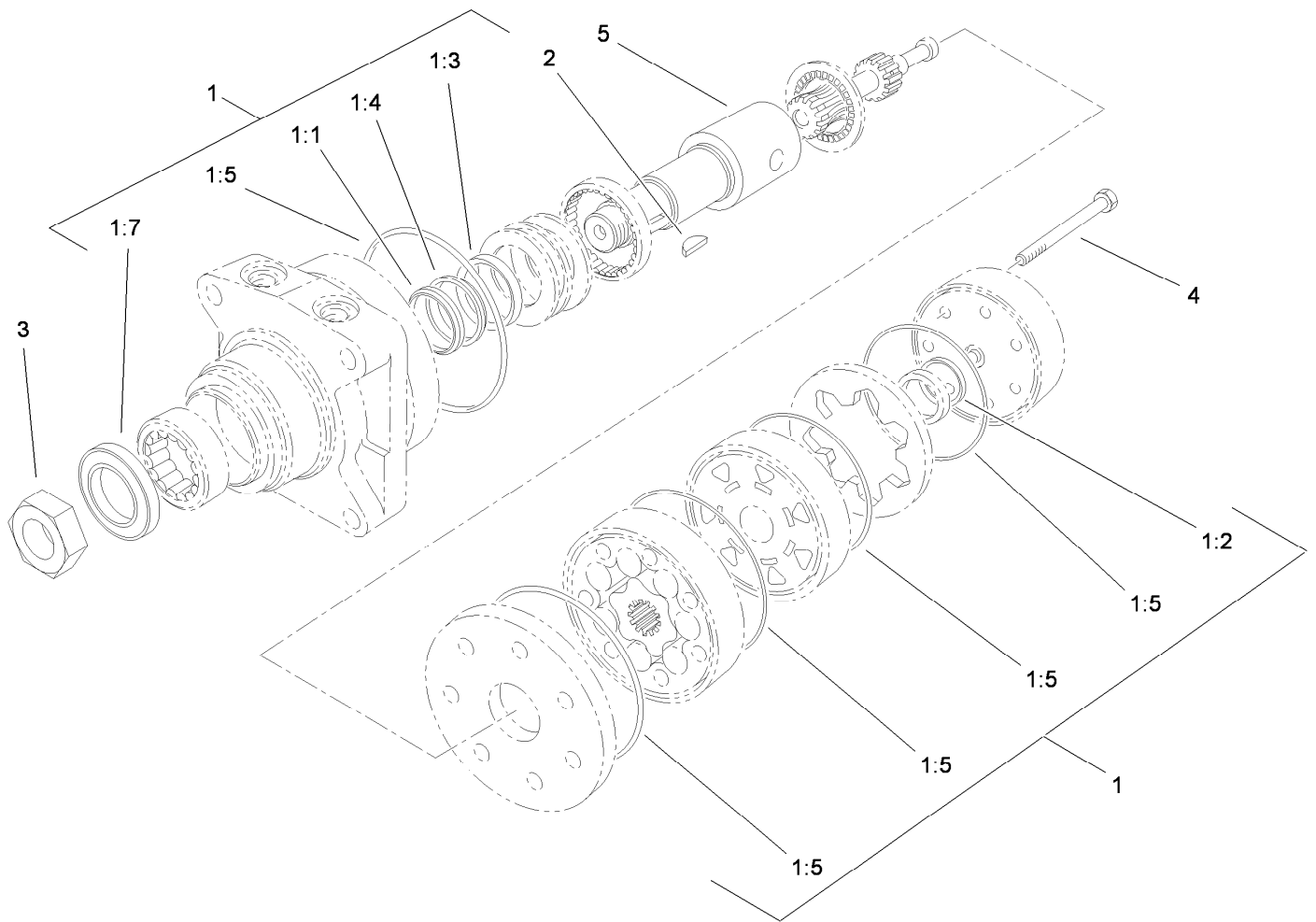
Ref.	Part Number	Qty.	Description	Ref.	Part Number	Qty.	Description
1	115-4464	1	Housing Kit	29	94-1936	1	Spring-Block
2	119-0184	1	End Cap STD Charge Kit	30	94-1937	1	Washer-Thrust
3	106-8753	2	Pin-Headless, Straight	32	94-1907	1	Swashplate-Variable
4	106-8754	4	Bolt-HF	34	94-6922	1	Bearing-Thrust
5	106-8755	1	O-Ring	37	115-4458	1	Arm-Trunnion, Tapered Square
6	106-8756	1	Charge Pump Kit	38	94-1910	1	Guide-Slot
7	104-2122	1	Gerotor ASM	42	98-3252	2	Valve-Check (W/Poppet)
8	106-8757	1	O-Ring	44	112-4164	1	Charge Relief Kit
10	104-2111	2	Capscrew	49	106-8761	1	Trunnion Seal / Retainer Kit
15	106-8759	1	Bypass Valve Kit	56	106-8762	1	Plug-HSH
18	103-2664	1	Input Shaft Kit	66	106-8763	1	Plug-HSH
20	104-5310	1	Seal-Lip	110	115-4459	1	Kit-Return
21	104-5308	1	Spacer	111	105-6184	1	Seal Overhaul Kit
22	104-5309	1	Ring-Retaining				
25	103-2666	1	Cylinder Block Kit				

111 SEAL OVERHAUL KIT



Hydraulic Pump Assembly No. 119-0177

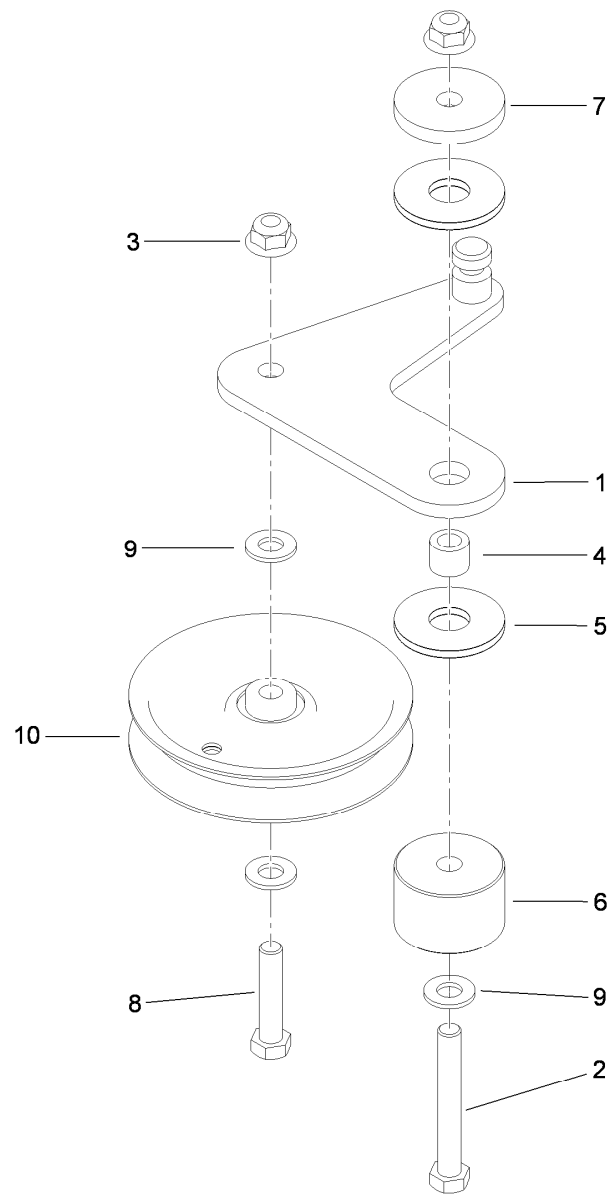
Ref.	Part Number	Qty.	Description	Ref.	Part Number	Qty.	Description
1	115-4464	1	Housing Kit	29	94-1936	1	Spring-Block
2	119-0184	1	End Cap STD Charge Kit	30	94-1937	1	Washer-Thrust
3	106-8753	2	Pin-Headless, Straight	32	94-1907	1	Swashplate-Variable
4	106-8754	4	Bolt-HF	34	94-6922	1	Bearing-Thrust
5	106-8755	1	O-Ring	37	115-4458	1	Arm-Trunnion, Tapered Square
6	106-8756	1	Charge Pump Kit	38	94-1910	1	Guide-Slot
7	104-2122	1	Gerotor ASM	42	98-3252	2	Valve-Check (W/Poppet)
8	106-8757	1	O-Ring	44	112-4164	1	Charge Relief Kit
10	104-2111	2	Capscrew	49	106-8761	1	Trunnion Seal / Retainer Kit
15	106-8759	1	Bypass Valve Kit	56	106-8762	1	Plug-HSH
18	103-2664	1	Input Shaft Kit	66	106-8763	1	Plug-HSH
20	104-5310	1	Seal-Lip	110	115-4459	1	Kit-Return
21	104-5308	1	Spacer	111	105-6184	1	Seal Overhaul Kit
22	104-5309	1	Ring-Retaining				
25	103-2666	1	Cylinder Block Kit				



Hydraulic Motor Assembly 104-1171

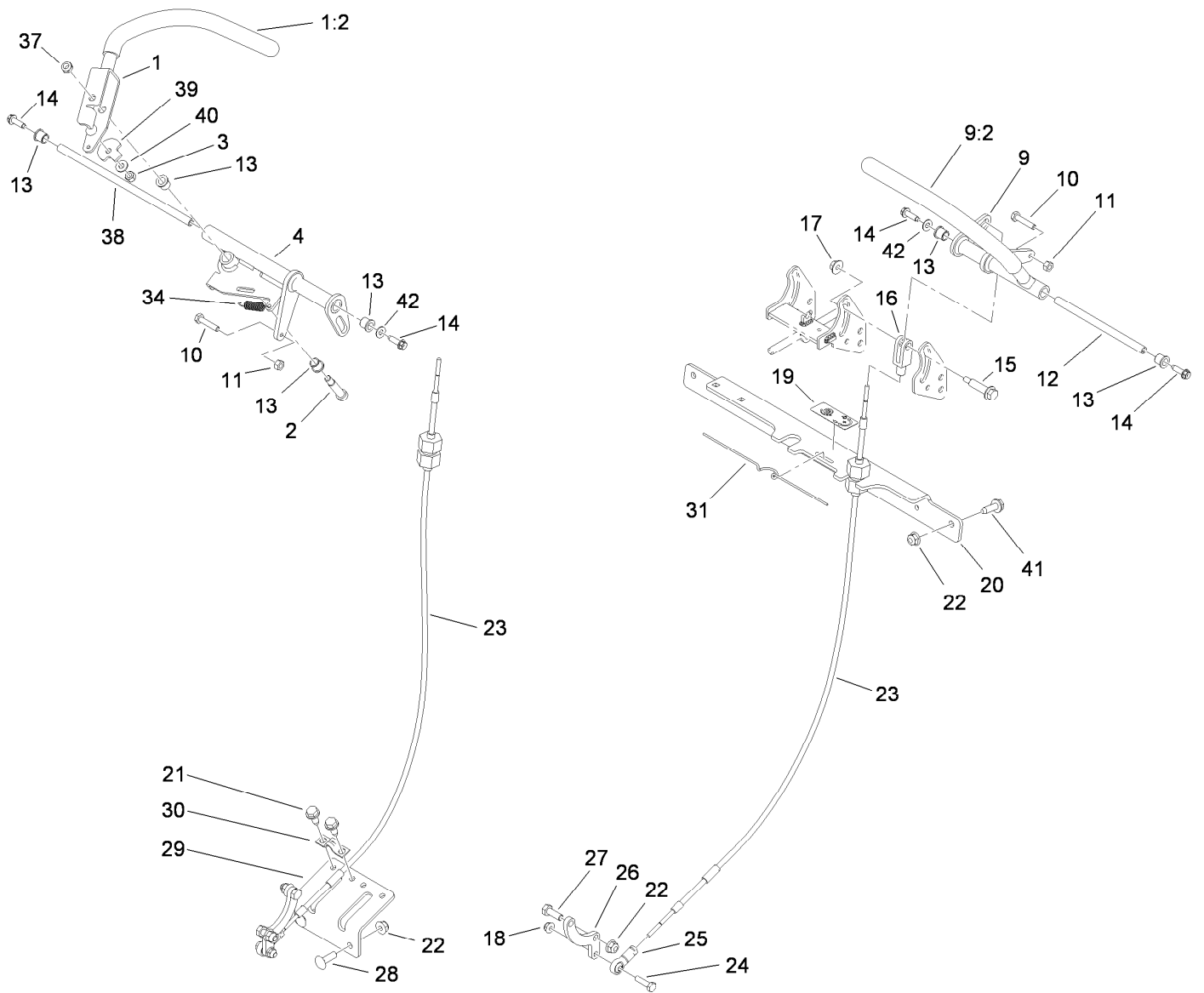
Ref.	Part Number	Qty.	Description
1	1-000119	1	Seal Kit
1:1		1	Ring-Back Up ●
1:2		1	Seal-Commutator ●
1:3		1	Seal-Shaft (Viton) ●
1:4		1	Washer-Back Up, Steel ●
1:5		5	Ring-Seal (Viton) ●
1:7		1	Seal-Dirt And Water ●
2	3257-8	1	Key-Woodruff
3	85-7310	1	Nut-Motor, Wheel
4	106-5549	6	Bolt-Special
5	106-8764	1	Shaft-Coupling

● Not serviced separately



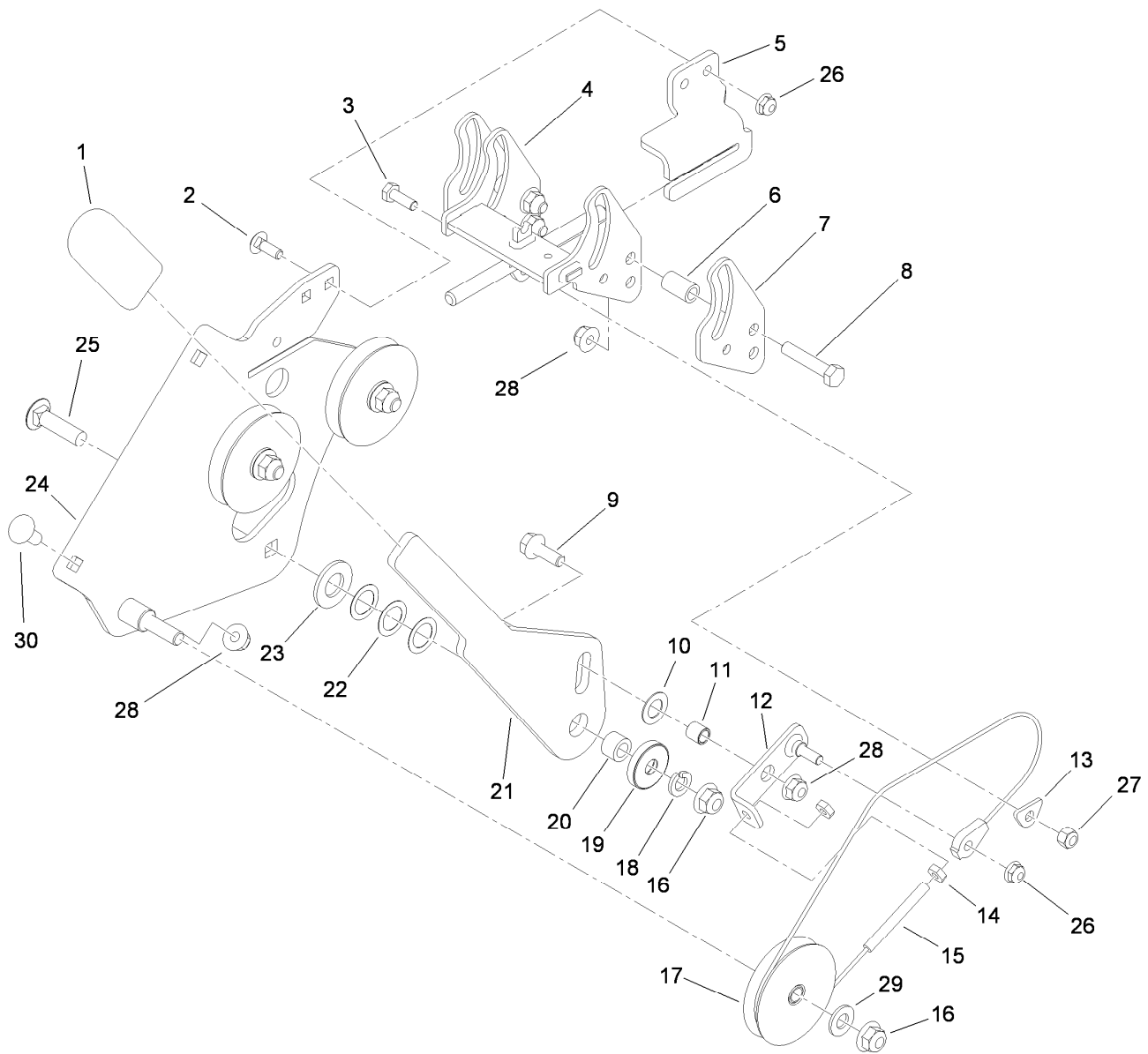
Pump Idler Assembly No. 117-7685

<i>Ref.</i>	<i>Part Number</i>	<i>Qty.</i>	<i>Description</i>
1	117-7684	1	Plate-Idler
2	323-13	1	Screw-HH
3	104-8301	2	Nut-Flange, NI
4	1-413088	1	Bushing-Lever, Lift
5	114-0463	2	Washer-Friction, Composite
6	117-3568	1	Hub-Idler
7	110-9981	1	Washer-Plain
8	323-9	1	Screw-HH
9	3256-24	3	Washer-Flat
10	93-1622	1	Pulley-Idler



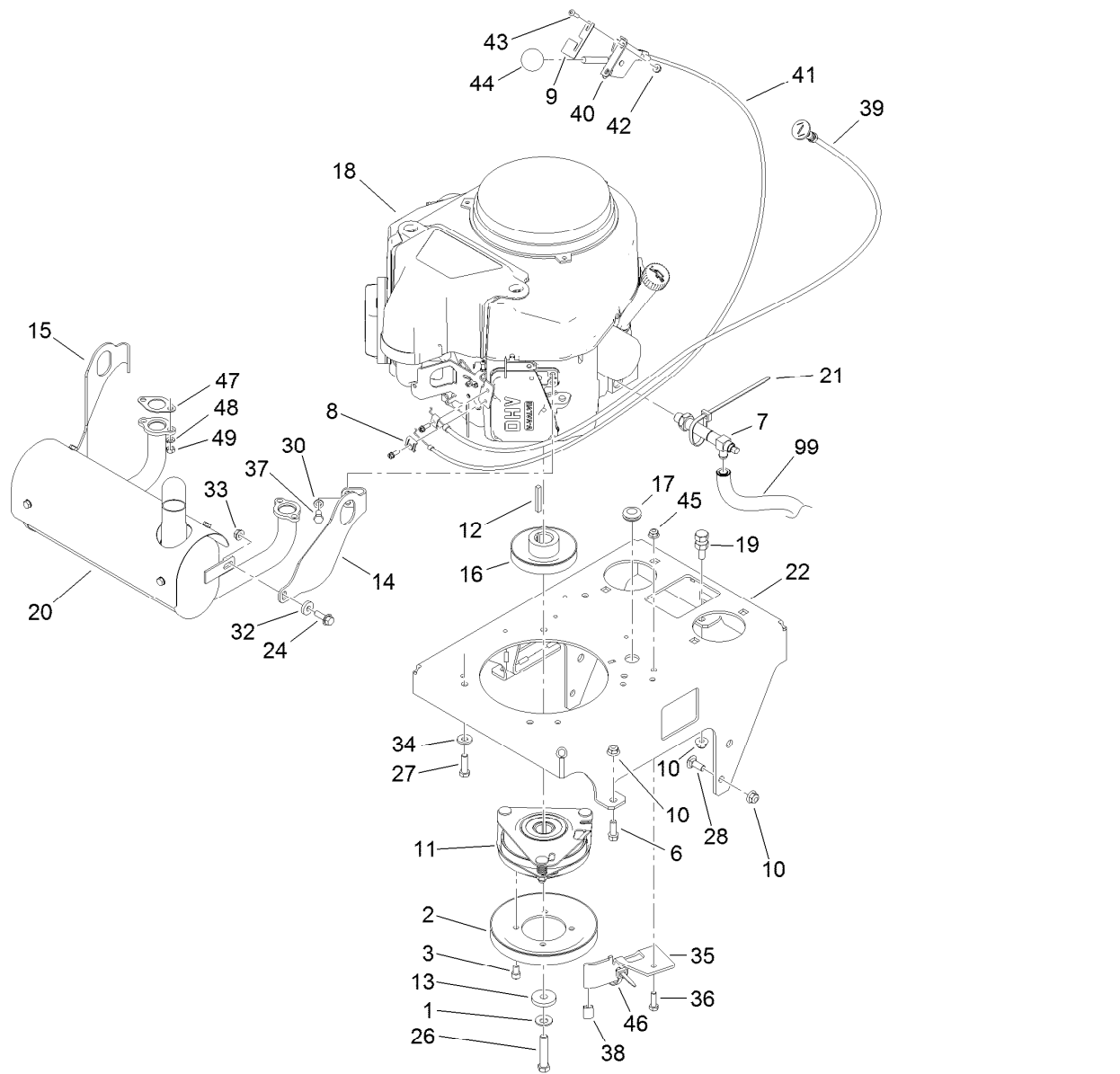
Motion Control Assembly

Ref.	Part Number	Qty.	Description	Ref.	Part Number	Qty.	Description
1	119-1887	1	RH Motion Lever ASM	21	32144-70	4	Screw-HWHTF
1:2	119-0222	1	Grip	22	104-8300	8	Nut-Flange, NI
2	114-0239	1	Screw-HSH	23	117-6225	2	Cable ASM
3	3296-42	1	Nut-Lock, NI	24	321-6	2	Screw-HH
4	117-6212	1	RH Motion Control ASM	25	117-6222	2	Rod End-Ball Joint
9	119-1881	1	LH Motion Lever ASM	26	117-6204	2	Arm-Control, Pump
9:2	119-0222	1	Grip	27	322-4	4	Screw-HH
10	114-0282	2	Screw-HH	28	3230-10	2	Screw-CARR
11	3217-5	2	Nut-Hex	29	117-6238-01	1	Bracket-Clamp, Cable
12	119-1885	1	Shaft-Pivot, Motion Control	30	93-2279	2	Clamp-Cable
13	103-9928	6	Bearing	31	114-0433	1	Clip-Spring
14	80-0700	4	Screw-HH, Torx	34	114-0249	1	Spring-Extension
15	119-1857	2	Screw-Shoulder, HHF	37	3296-47	1	Nut-Lock, NI
16	119-1869	2	Yoke-Female	38	119-1886	1	Shaft-Pivot
17	114-3778	2	Nut-Lock, NI	39	114-0268	1	Cam-Lever
18	104-7201	2	Nut-HF	40	3256-22	1	Washer-Flat
19	119-1854	1	Decal-Tracking, Hydro	41	3234-29	2	Screw-HHF
20	117-6239-01	1	Bracket-Cross	42	3256-1	2	Washer-Flat



Speed Control Assembly

<i>Ref.</i>	<i>Part Number</i>	<i>Qty.</i>	<i>Description</i>	<i>Ref.</i>	<i>Part Number</i>	<i>Qty.</i>	<i>Description</i>
1	119-1846	1	Grip	16	104-8301	4	Nut-Flange, NI
2	3229-1	2	Bolt-CARR	17	5-2653	3	Pulley ASM
3	321-4	1	Screw-HH	18	3253-21	1	Washer-Lock
4	119-1828	1	Slider ASM	19	119-1884	1	Retainer
5	119-1833	1	Bracket-Slider	20	115-4986	1	Spacer
6	115-0826	4	Spacer-Idler	21	119-1835	1	Handle-Control, Speed
7	119-1820	2	Plate-Slider	22	108-2100	3	Washer-Spring, Curved
8	322-8	4	Screw-HH	23	119-1868	1	Washer
9	3234-29	1	Screw-HHF	24	119-1825	1	Speed Control Base ASM
10	36-4780	1	Washer-Plain	25	3231-26	1	Screw-CARR
11	119-1867	1	Spacer	26	104-7201	3	Nut-HF
12	119-1853	1	Link ASM	27	3296-42	1	Nut-Lock, NI
13	119-1832	1	Washer-Clamp, Cable	28	104-8300	7	Nut-Flange, NI
14	3218-1	2	Nut-Jam	29	3256-24	3	Washer-Flat
15	119-1856	1	Cable	30	3230-1	2	Bolt-CARR

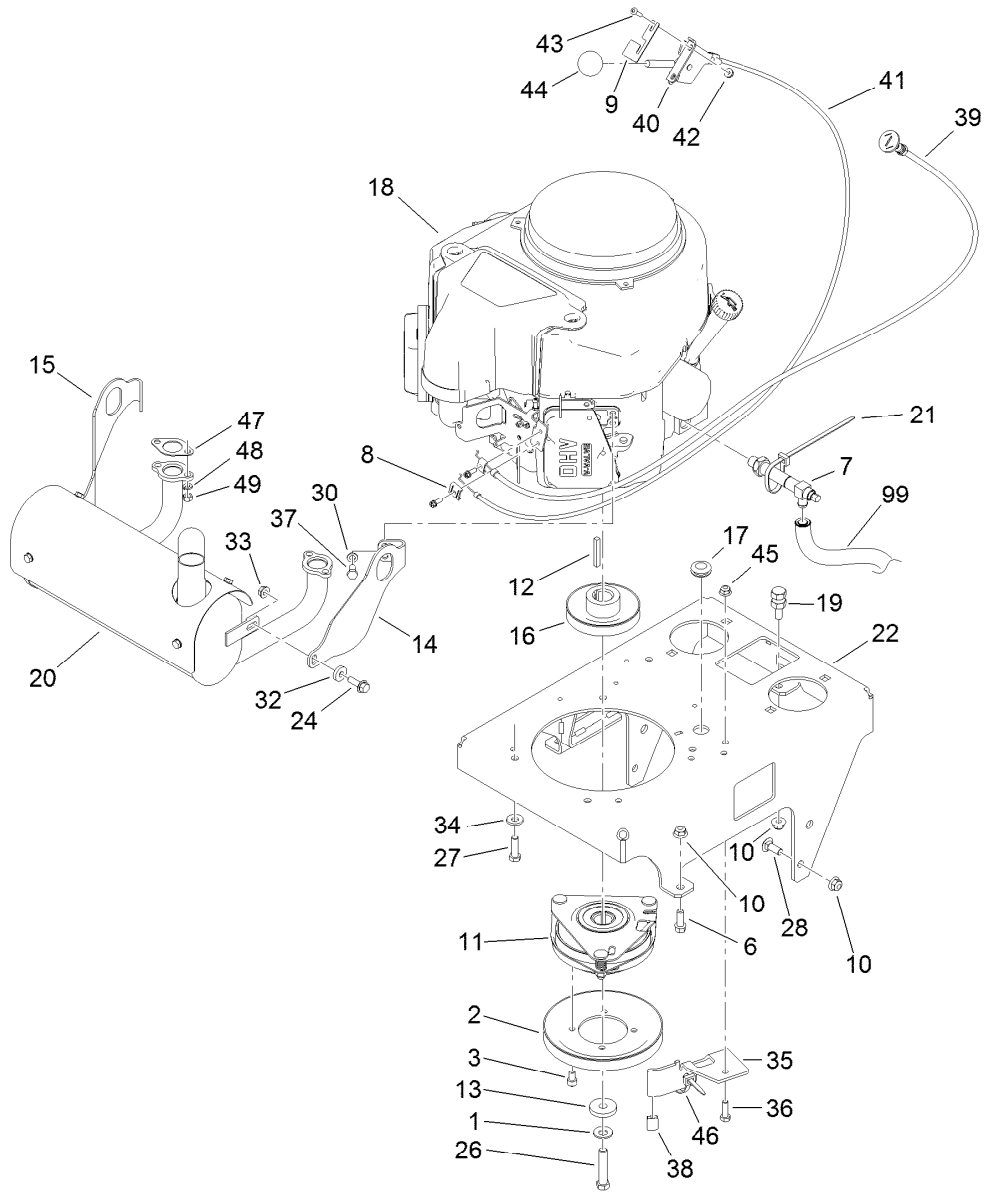


Engine Assembly

Ref.	Part Number	Qty.	Description	Ref.	Part Number	Qty.	Description
1	1-603610	1	Washer-Spring	20	116-2351	1	Muffer
2	119-0215	1	Pulley	21	3290-378	1	Tie-Cable
3	119-0221	4	Screw-HSH	22	119-0155-01	1	Base-Engine
6	92-1624	2	Screw-HWH	24	3234-29	2	Screw-HHF
7	116-2618	1	Valve-Drain, Oil	26	3212-9	1	Screw-HH
8	81-1690	1	Clamp-Cable	27	323-7	4	Screw-HH
9	119-1883	1	Plate-Set, Throttle	28	3231-2	2	Bolt-CARR
10	104-8301	5	Nut-Flange, NI	30	3253-4	4	Washer-Lock
11	119-0220	1	Clutch/Brake ASM	32	104-7658	2	Spacer
12	608006	1	Key-Square	33	32128-25	2	Nut-HF
13	107-4136	1	Washer	34	98-5975	4	Washer-Belleville
14	116-2353	1	Bracket-Muffer Mount, LH	35	117-9708-01	1	Bracket-Stop, PTO
15	116-2354	1	Bracket-Muffer Mount, RH	36	322-5	1	Screw-HH
16	112-7067	1	Pulley	37	33114-016	4	Screw-HH
17	112-7069	1	Grommet	38	109-3765	1	Bumper
18		1	Engine-Kawasaki, Fs541V-Bs06 ●■	39	106-9962	1	Control-Choke, Push / Pull
19	114-5866	1	Anchor-Spring, Short	40	110-5547	1	Lever-Control
				41	119-1882	1	Cable-Control

● Not serviced separately

■ Obtain parts from www.kawpowerpc.com

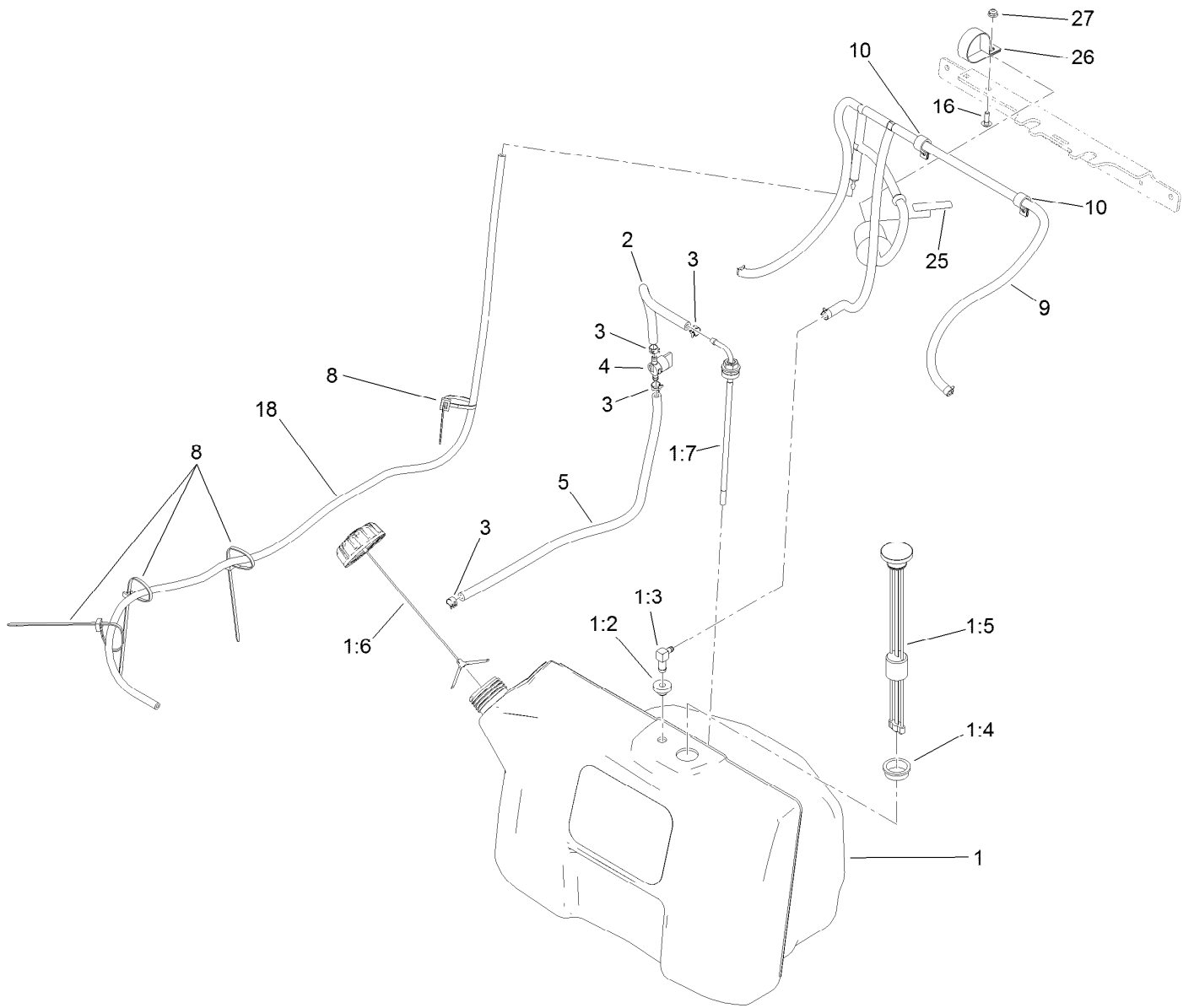


Engine Assembly (continued)

<i>Ref.</i>	<i>Part Number</i>	<i>Qty.</i>	<i>Description</i>	<i>Ref.</i>	<i>Part Number</i>	<i>Qty.</i>	<i>Description</i>
42	32128-17	2	Nut-Lock, Flange	47	1-653313	2	Gasket-Exhaust
43	110-0863	2	Screw-Torx	48	114-3550	4	Washer-Lock, Spring
44	1-603175	1	Knob-Ball	49	114-3549	4	Nut
45	104-8300	1	Nut-Flange, NI	99	103-1964	1	Hose-Drain, Oil
46	3290-378	2	Tie-Cable				

● Not serviced separately

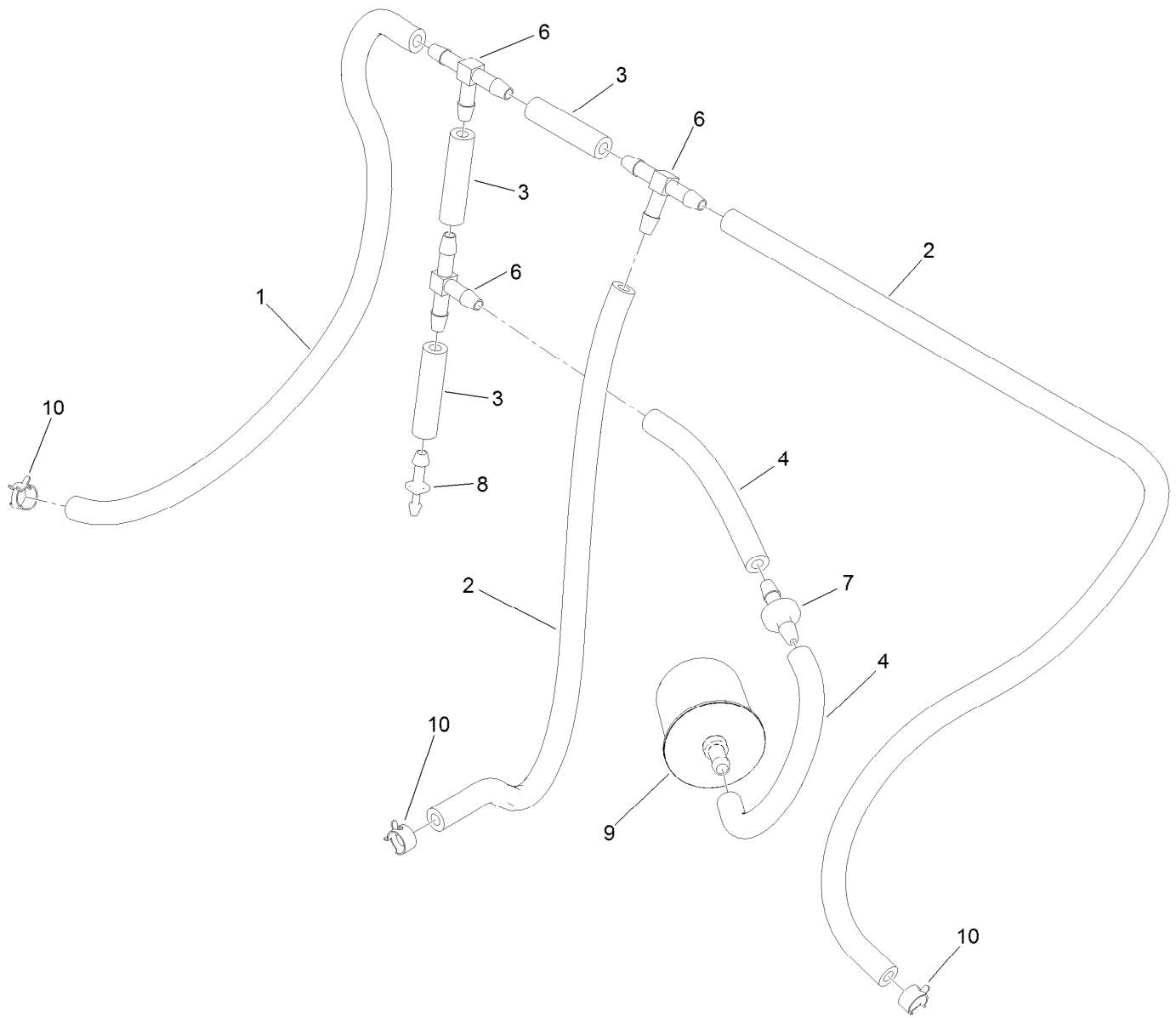
■ Obtain parts from www.kawpowerpc.com



Fuel Tank Assembly

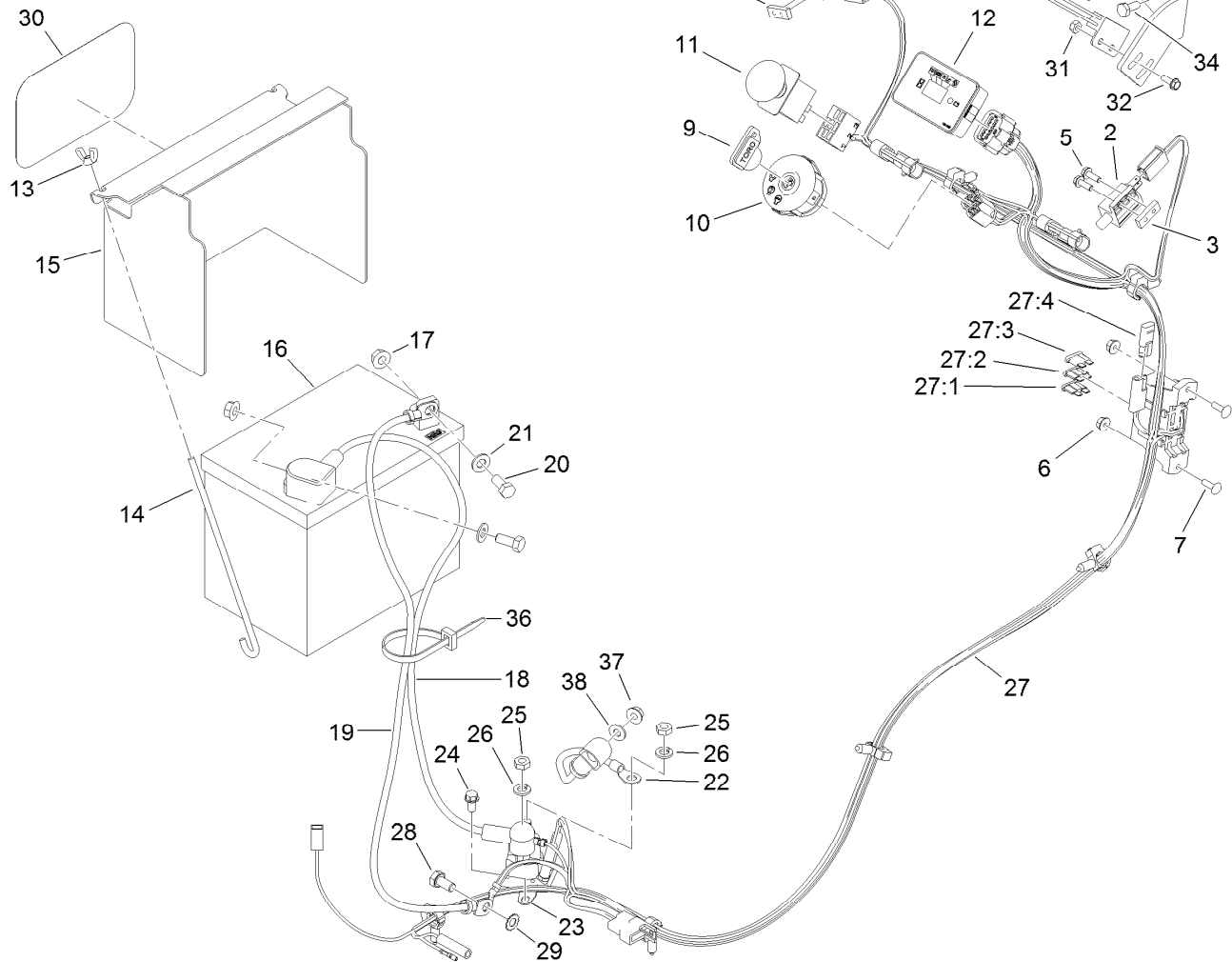
Ref.	Part Number	Qty.	Description	Ref.	Part Number	Qty.	Description
1	119-7340	1	Tank ASM	5	109-0301	1	Hose-Fuel
1:2	46-6560	3	Bushing	8	3290-378	4	Tie-Cable
1:3	1-643172	3	Elbow-90 DEG	9		1	Vent Hose ASM ●
1:4	95-8972	1	Grommet	10	2412-87	2	Clamp-Cable
1:5	117-9719	1	Guage-Fuel	16	3229-1	1	Bolt-CARR
1:6	116-1704	1	Cap-Fuel, Ratcheting	18	119-6073	1	Hose-Fuel
1:7	116-3408	1	Fitting-Fuel, Bulkhead	25	116-4769	1	Decal-Filter, Emissions
2	109-0297	1	Hose-Fuel	26	2412-96	1	Clamp-R
3	2412-98	4	Clamp-Hose	27	104-7201	1	Nut-HF
4	1-603770	1	Valve-Fuel				

● Not serviced separately



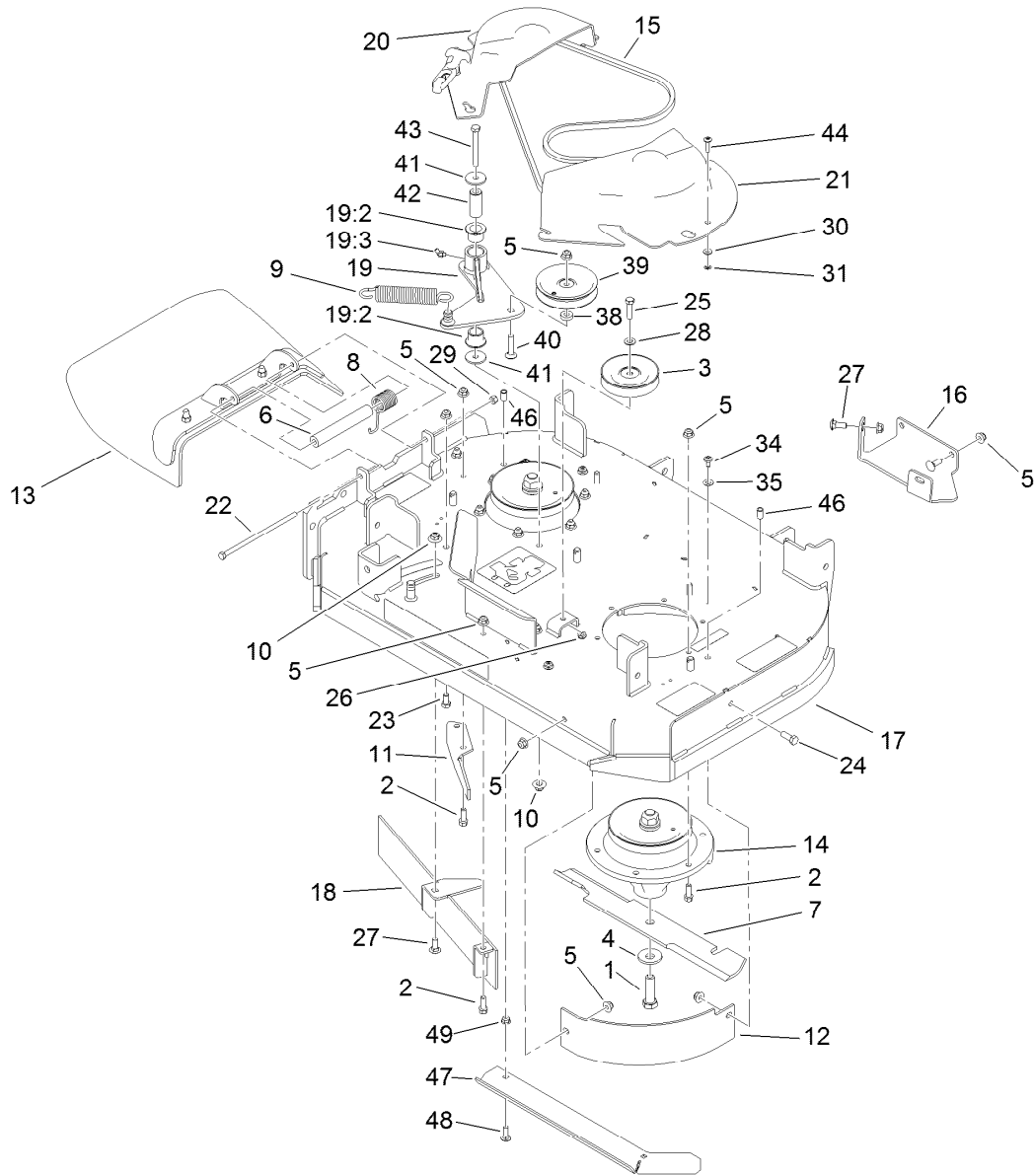
Vent Hose Assembly

<i>Ref.</i>	<i>Part Number</i>	<i>Qty.</i>	<i>Description</i>
1	109-3491	1	Hose-Fuel
2	109-0299	2	Hose-Fuel
3	119-7856	3	Hose-Fuel
4	109-0295	2	Hose-Fuel
6	99-5005	3	Fitting-Tee, Barbed
7	99-5000	1	Valve-Check, Fuel
8	106-8150	1	Fitting-Straight
9	120-2235	1	Filter-Fuel
10	2412-98	3	Clamp-Hose



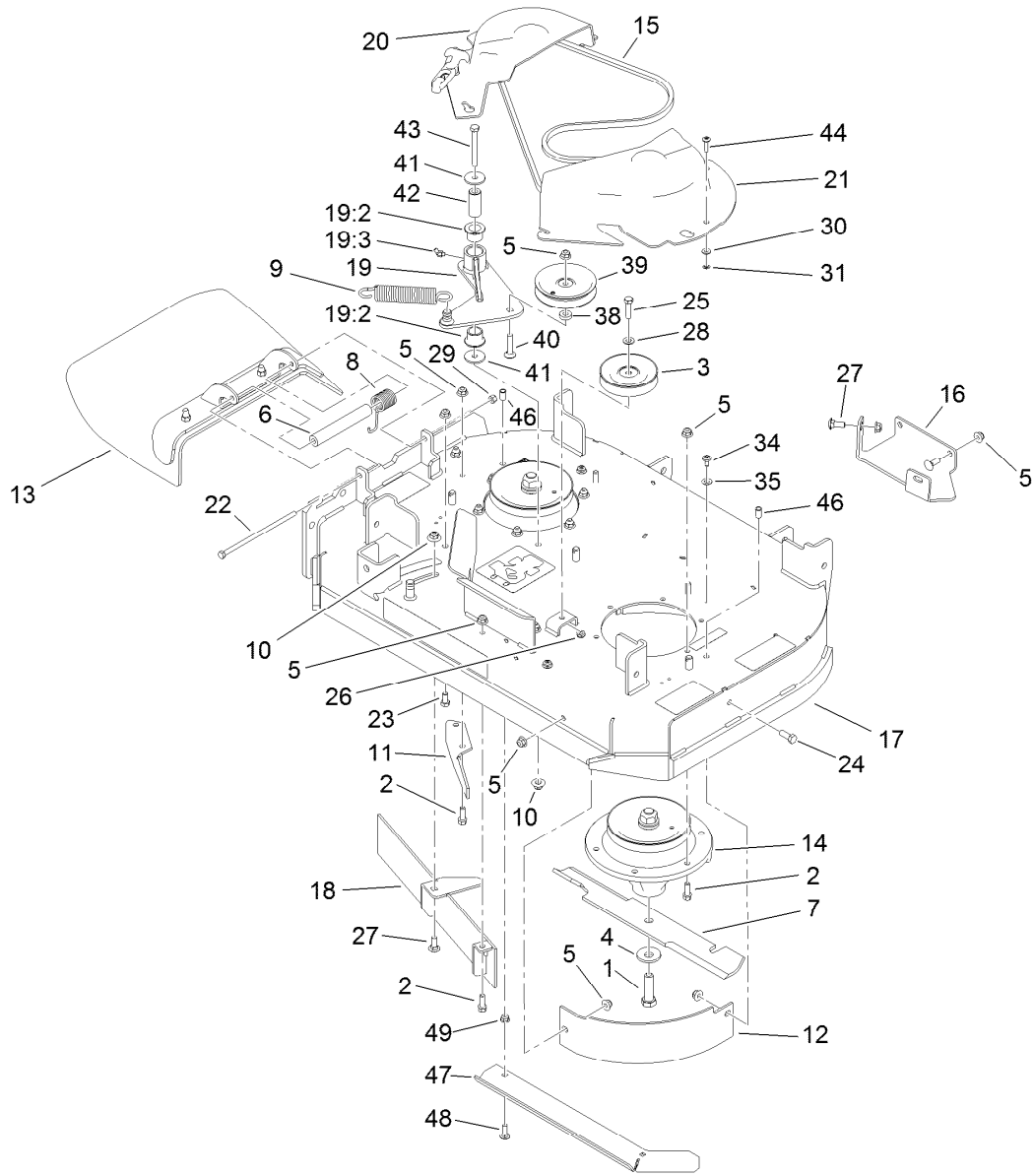
Electrical Assembly

Ref.	Part Number	Qty.	Description	Ref.	Part Number	Qty.	Description
1	105-0023	2	Switch-Proximity	23	117-1197	1	Solenoid
2	1-513152	2	Switch-Closed, Normally	24	32144-4	2	Screw-HWH
3	1-633181	2	Plate-Tapped	25	3220-2	2	Nut-Jam
4	32105-13	2	Screw-HWH	26	3253-4	2	Washer-Lock
5	32105-2	2	Screw-SHWH	27	119-0181	1	Harness-Wire
6	32128-17	2	Nut-Lock, Flange	27:1	109103	1	Fuse-Blade, 30 Amp
7	1-807533	2	Bolt-CARR	27:2	109102	1	Fuse-Blade, 25 Amp
9	63-8360	1	Key-Ignition (W/Shield)	27:3	218-578	1	Fuse-Blade, 10 Amp
10	117-2222	1	Switch-Ignition	27:4	116-0053	1	Cap-Plug
11	114-0279	1	Switch-PTO	28	33114-016	1	Screw-HH
12	115-4180	1	Module-Meter, Hour	29	3255-8	1	Washer-Lock
13	1-543792	2	Wingnut	30	68-3640	1	Decal
14	1-633651	2	Bolt-Holddown	31	3296-2	4	Nut-Lock, NI
15	117-0543-01	1	Cover-Battery	32	32105-23	4	Screw
16	104-2491	1	Battery	33	119-8503-01	2	Bracket-Mount, Switch
17	109-5715	2	Nut-HHF, Smooth	34	321-3	2	Screw-HH
18	114-9404	1	Cable-Battery, Positive	35	32128-32	4	Nut-HHF
19	103-0705	1	Cable-Ground, Negative	36	3290-378	1	Tie-Cable
20	322-3	2	Screw-HH	37	32128-33	1	Nut-HF
21	3256-23	2	Washer-Flat	38	3256-22	1	Washer-Flat
22	106-8268	1	Cable-Battery, Red	39	321-4	2	Screw-HH



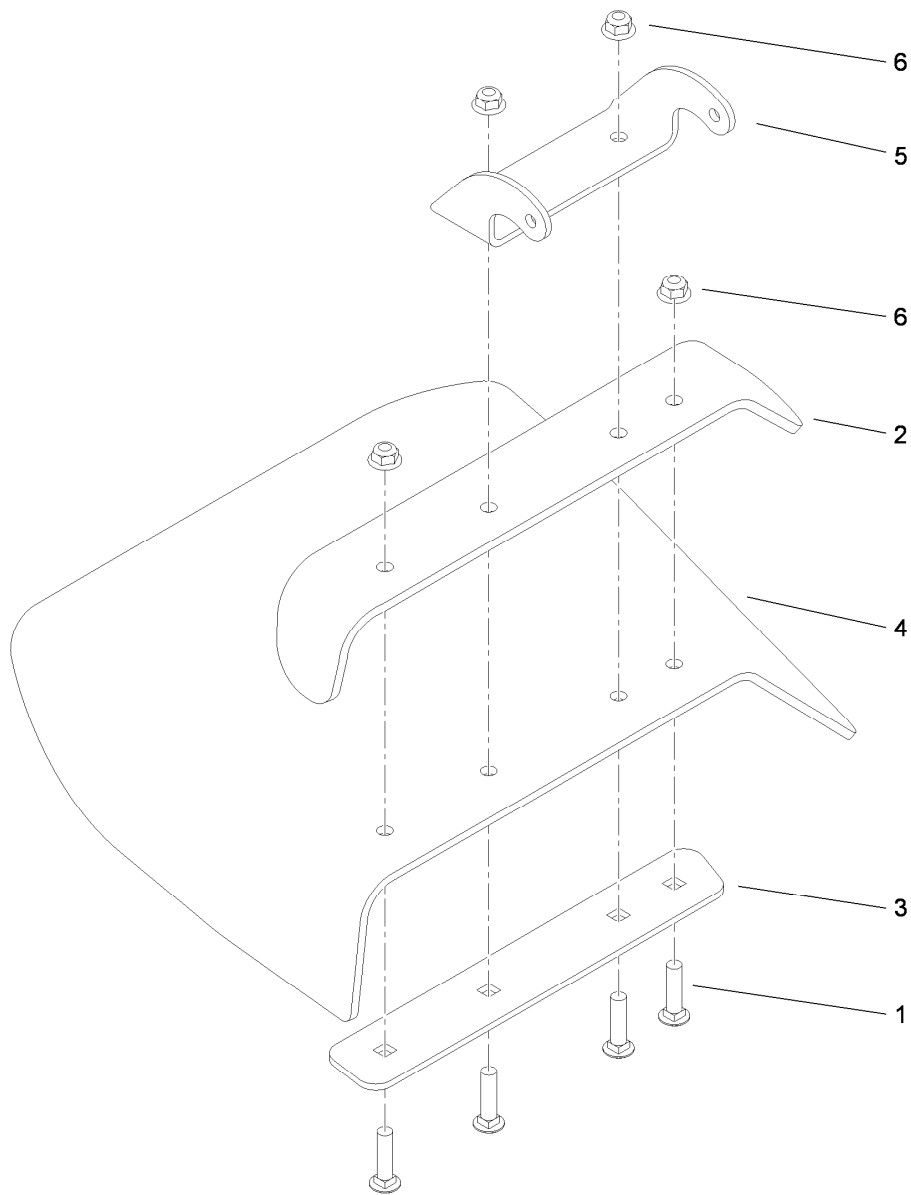
Deck Assembly

Ref.	Part Number	Qty.	Description	Ref.	Part Number	Qty.	Description
1	51-4060	2	Screw-Blade	20	119-1802	1	Cover-Belt, RH
2	92-1624	15	Screw-HWH	21	119-1803	1	Cover-Belt, LH
3	92-7099	1	Pulley-Idler	22	322-50	1	Screw-HH
4	103-0865	2	Washer-Blade Bolt, Heavy	23	323-4	2	Screw-HH
5	104-8301	25	Nut-Flange, NI	24	323-6	2	Screw-HH
6	105-4622	1	Spacer	25	323-8	1	Screw-HH
7	105-7781-03	2	Blade-18 Inch, Hi Flow	26	3296-59	1	Nut-Lock, NI
8	108-4052	1	Spring-Torsion	27	3231-2	5	Bolt-CARR
9	119-0394	1	Spring-Extension	28	3256-24	1	Washer-Flat
10	109-6658	2	Nut-Flange, NI	29	3296-29	1	Nut-Lock, NI
11	110-0754-01	1	Baffle-Discharge	30	3256-22	2	Washer-Flat
12	110-6903-03	1	Baffle-Front, LH	31	106-8737	2	Nut-Retainer
13	119-2347	1	Deflector ASM	34	112-4004	4	Screw-Shoulder
14	117-7638	2	Spindle ASM	35	73-0041	4	Washer-Thrust
15	117-7641	1	Belt-V	38	5-0652	1	Spacer
16	117-7687-01	1	Plate-Skid	39	93-1622	1	Pulley-Idler
17	119-0151	1	Deck ASM	40	3231-5	1	Screw-CARR
18	119-0153-03	1	Front Baffle ASM	41	1-213069	2	Washer
19	119-0180	1	Idler Arm ASM	42	119-0208	1	Spacer-Plain
19:2	33-3090	2	Bushing	43	323-20	1	Screw-HH
19:3	302-11	1	Fitting-Lube, 45 DEG	44	32105-32	2	Screw-TTH



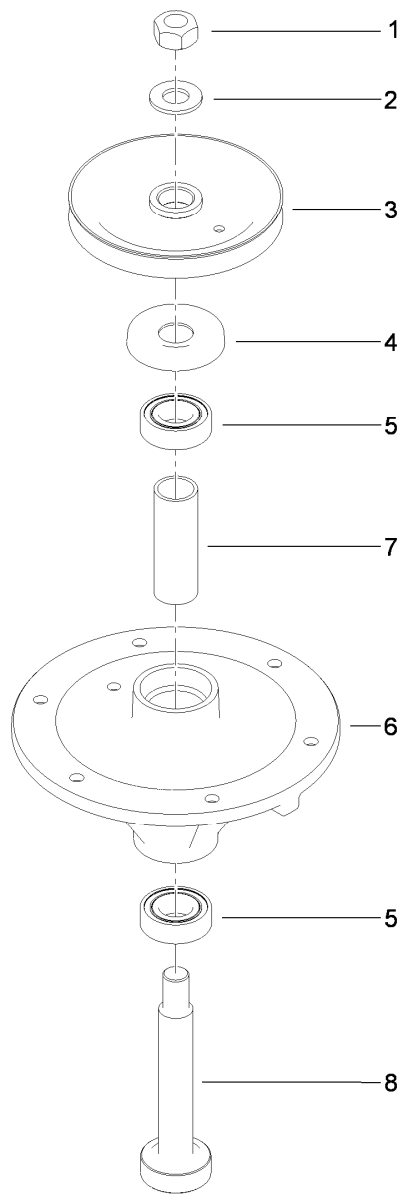
Deck Assembly (continued)

<i>Ref.</i>	<i>Part Number</i>	<i>Qty.</i>	<i>Description</i>	<i>Ref.</i>	<i>Part Number</i>	<i>Qty.</i>	<i>Description</i>
46	32148-6	2	Insert-Nut	48	3230-2	2	Bolt-CARR
47	119-7839-01	1	Extender-Deck	49	104-8300	2	Nut-Flange, NI



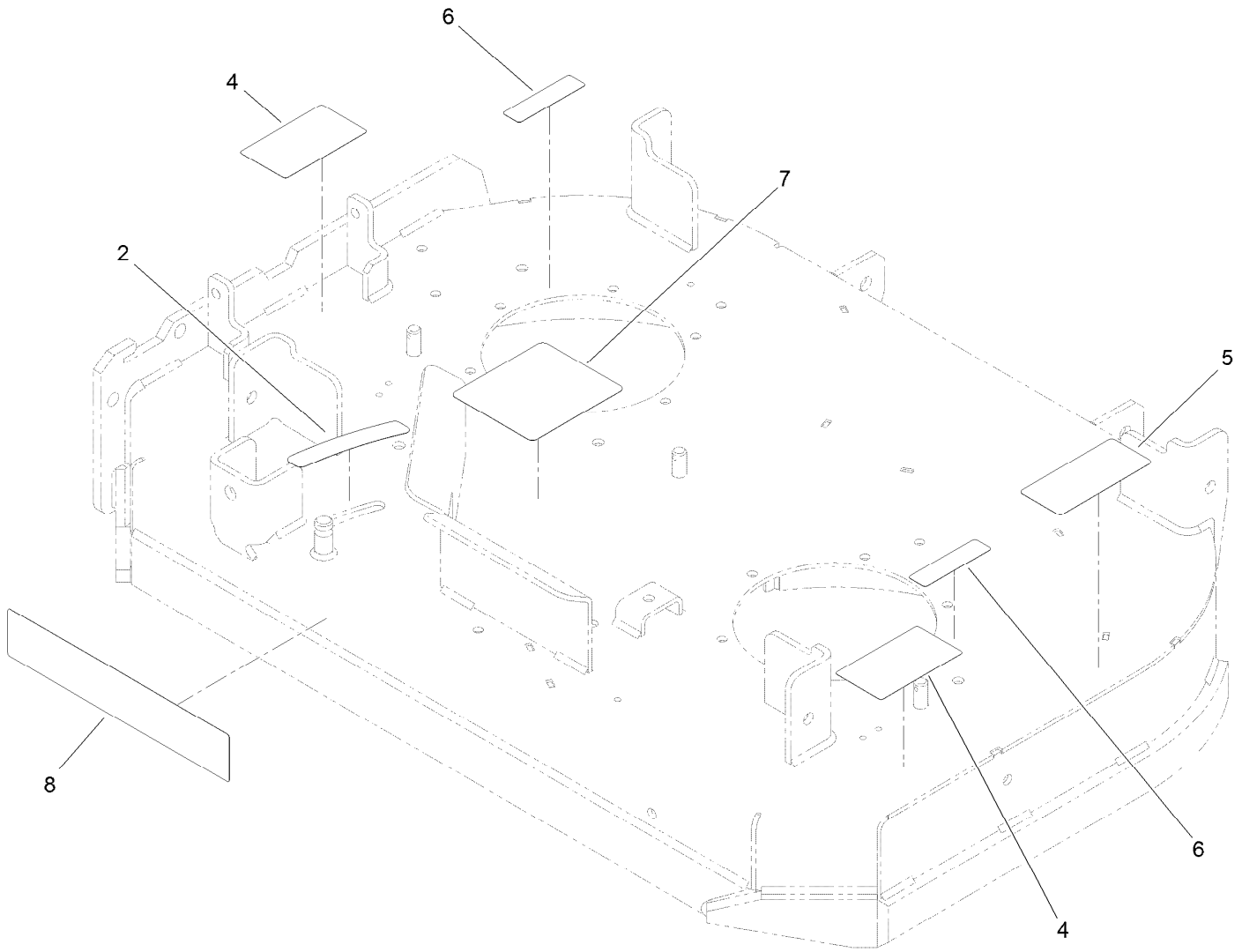
Deflector Assembly No. 119-2347

<i>Ref.</i>	<i>Part Number</i>	<i>Qty.</i>	<i>Description</i>
1	3231-4	4	Screw-CARR
2	110-0792-01	1	Deflector
3	110-0793-03	1	Strap-Discharge
4	119-2346	1	Deflector-Rubber
5	110-9923-01	1	Bracket-Mounting, Deflector
6	104-8301	4	Nut-Flange, NI



Spindle Assembly No. 117-7638

<i>Ref.</i>	<i>Part Number</i>	<i>Qty.</i>	<i>Description</i>
1	3219-7	1	Nut-Hex
2	7-4150	1	Washer
3	117-7614	1	Pulley
4	106-0873	1	Shield-Bearing
5	116-0720	2	Bearing-Ball
6	108-6696	1	Housing-Spindle
7	110-0727	1	Spacer-Bearing
8	110-0726	1	Shaft-Spindle



Deck Decal Assembly No. 119-0151

<i>Ref.</i>	<i>Part Number</i>	<i>Qty.</i>	<i>Description</i>
2	110-2067	1	Decal-Setting, Baffle
4	93-7010	2	Decal-Danger
5	93-7818	1	Decal-Torque, Blade Bolt
6	119-0217	2	Decal-Danger
7	119-0186	1	Decal-Routing, Belt
8	119-0197	1	Decal

Attachments and Accessories

For 74534TE GrandStand Mower With 91cm TURBO FORCE Cutting Unit

Product Name	Model/Part
Blade-Hi Flow, 18in (6 Pack).....	108-1117
Blade-Lo Flow, 18in (6 Pack).....	110-0406
Blade-Recycler, 18in (6 Pack).....	110-0408
Blade-Med Flow, 18in (6 Pack).....	110-0409
36in Recycler Kit.....	110-2080
Light Kit.....	114-3505
Hypr-Oil 500 (quart).....	114-4713
Hypr-Oil 500 (gallon).....	114-4714
Hypr-Oil 500-5 (5 gallon).....	114-4715
Trash Bag Kit.....	117-0448
Weight Kit.....	117-3620
Striping Kit.....	117-8560
Operator-Controlled Discharge Chute Kit with Bag.....	117-8565

Notes:

Notes:

Notes:



Count on it.