



PART NO. 59180

INSTALLATION INSTRUCTIONS

LEAF SHREDDER

FOR 21" VACU-POWER REAR BAGGERS

Since this instruction sheet covers only a minimal amount of information necessary to maintain and operate your machine, we suggest that you keep this material with your Operator's Manual so that both may be referred to for instructions concerning safe operation and proper maintenance procedures.

ASSEMBLY

WARNING

Use gloves when handling metal screen as it is sharp. Spark plug wire must be disconnected from spark plug and gas tank drained before assembling or cleaning out leaf shredder screen.

INSTALLING LEAF SHREDDER SCREEN

1. Stop engine and remove wire from spark plug.
2. Drain gasoline from fuel tank. Refer to section in Operator's Manual on Draining Gasoline.
3. Tip mower onto right side.
4. On mowers with Blade Brake Clutch (BBC) shields, remove (3) bolts securing shield to underside of mower housing (Fig. 1). Mowers without BBC shields will have mounting holes.

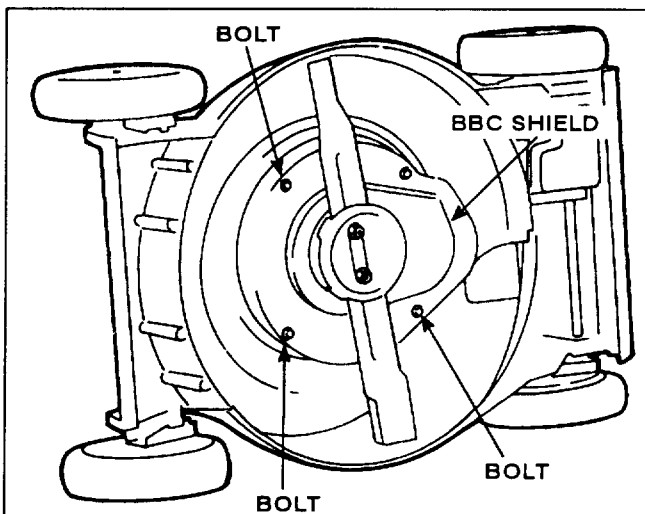


Figure 1

5. Slide leaf shredder screen under blade and align with corresponding holes (Fig. 2).
6. Fasten screen to underside of housing with (3) bolts (Fig. 2). Make sure bolts are tightened securely.

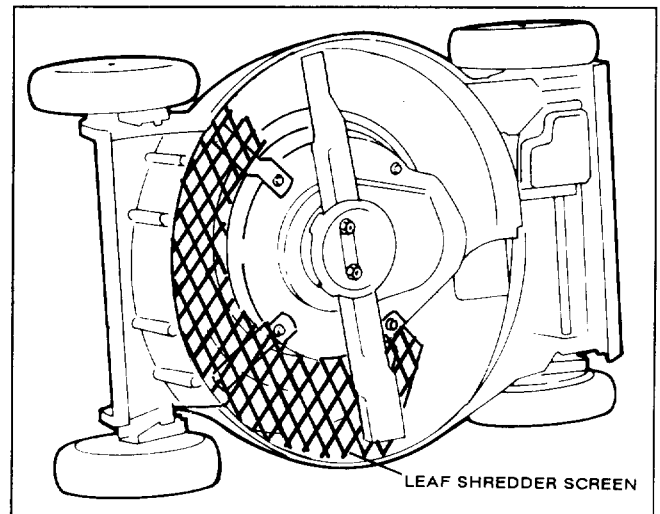


Figure 2

7. Rotate blade to make sure it clears all attached components. Correct as necessary if contact is evident.
8. Tip mower down onto wheels, fill fuel tank with gasoline, and re-connect spark plug wire.

OPERATION

This attachment shreds dry leaves into small particles, thereby greatly reducing their total volume. Use the leaf shredder when the grass bag is installed to pick up, shred, and bag leaves. The shredded leaves can be used as winter mulch or compost. For best performance, follow these instructions:

1. It is a good idea to cut your grass shorter before the leaves begin to fall from the trees.

2. The leaf shredder works best on dry leaves—wet leaves may clog the shredder and don't shred well.

3. Remove less than 1/2 inch of grass or no grass while shredding leaves.

4. Mow often during the leaf drop period so that the leaves don't become matted into the turf.

By following these instructions, fall clean-up of leaves is simplified.